

National[®] Oil Seals

CATALOG NO.
430i
July 2004
Replaces 415 and 428

INDUSTRIAL PRODUCTS

Industrial Applications, Product Specifications & Interchange Guide

- TECHNICAL INFORMATION
- SIZE LISTING
- OIL SEAL DESIGN TYPES
- NUMERICAL LISTING
- METRIC LISTING

NATIONAL[®] REDI-SEALS[®]

Custom Seals Overnight!

LOOK INSIDE FOR MORE INFORMATION



National[®] Oil Seals

**Quality,
Technology,
Innovation
and Value**

National Oil Seals is one of the world's largest and most experienced manufacturers of precision oil, grease, fluid and dirt sealing devices.

National produces millions of seals annually, in a wide variety of sizes and materials, for the original equipment, agricultural and industrial markets.

National serves both original equipment manufacturers and the aftermarket with a variety of sealing solutions. With expertise in a variety of materials and processes, we offer standard and custom sealing products and systems that can withstand a wide range of operating conditions and fluid compositions.

The National name enjoys a worldwide reputation for product reliability. We are leaders in the use of innovative materials, processes and products that have become industry standards. We continually work side-by-side with customers to develop custom solutions to unique sealing needs, as with our Redi-Seals[®].

By working closely with manufacturers from concept and development through design, testing and production, National ensures maximum customer value. As manufacturers' and distributors' definitions of value continue to evolve, National allocates its extensive resources to meet those needs. We have the expertise and technology to coordinate the development, testing and production of your sealing needs.

- Our Research and Development Center in Ann Arbor, Michigan continuously explores new materials which are resistant to chemical attack from oils, greases, fuels and coolants, as well as harsh environmental conditions.
- Our world-class manufacturing facilities ensure cost-effective, reliable production of small- and large- volume sealing products.
- Our application engineers dramatically reduce product development time, by using the most progressive design methods and testing equipment.
- Our quality management system ensures the highest product quality through rigorous planning and control.
- All of which add up to shorter lead times, more reliable production processes, expanded delivery capabilities and an increased competitive advantage for you, the National Oil Seal customer.

National, the industrial market's number-one brand of sealing components, is positioned to provide your business not only with world-class products, but entirely new levels of service and support.

IMPORTANT NEW INVESTMENTS

National Oil Seals: A Central Part of Your Growth Strategy

With new and updated parts available in our distribution centers, customers benefit from reduced delivery lead-times. In the future, National will continually update its product portfolio in response to changes in the industrial marketplace.

New! Industrial Coverage

Federal-Mogul is excited to add numerous new part numbers to our portfolio of National Oil Seals. Product availability being critical to our customers' success, National has added high-demand parts previously available only from our plants. Additionally, National is pleased to introduce over **2,000** new part numbers and updates to our catalog offering, compiled from market analysis and customer feedback.

Update highlights include new high-temperature fluoroelastomer coverage, metric oil seals, shaft repair kits and repair sleeves, as well as:

- New stocking shaft seals with a focus on high-temperature applications;
- Expanded metric coverage;
- Metric and high-temperature O-rings;
- Hundreds of new seal updates and design improvements

New! Special Markets Team

National has established a new, highly-trained **Special Markets Customer Service Team** to assist with pricing, product specification, inventory planning and order fulfillment.

This staff of knowledgeable professionals works closely with your sales representative to ensure timely response to custom pricing requests and orders for custom **National Redi-Seals**, which can be produced and delivered to your business within 24 hours.

The Special Markets Customer Service Team is available from 8 am – 7 pm EST. Call with questions or for prompt assistance with your seal requirements.

Contact the Special Markets Customer Service Team at 1 (800) 480-1212

NATIONAL® REDI-SEALS®

Custom Seals in 24 Hours

Sealing Solutions Custom-made Overnight

Downtime problems? Need a seal fast?
National Redi-Seals are the solution.

Thoroughly tested and approved,
National Redi-Seals are available in the
right quantity for you – even a single seal.

National can ship a wide range of
made-to-order seals within 24 hours.
Redi-Seals' revolutionary manufacturing
process enables National to eliminate long
lead times and offers manufacturers and
distributors a more flexible and efficient way
to do business. National offers eleven types
of Redi-Seals, custom-made to fit your
design, size, application, material and
special features specifications.

Redi-Seals are National Seals, the brand
synonymous with superior performance,
custom-fit to your specifications.
The quickest solution, the right solution.

Specify the following when ordering your seal:

- Seal design or type
- Size: ranging from .827" (21mm) shaft
to 13" (330mm) housing bore
- Inch or metric size
- Seal applications:
industrial, agricultural or vehicular
- Seal material: Nitrile or Viton®
- Special features, including split seals

Call the National Redi-Seal selection process inquiry line at 1 (800) 225-1220

Viton is a registered trademark of DuPont Corporation.

REDI-SEAL SPECIFICATION CHECKLIST

Selection Information

National Redi-Seals are unique, high-quality sealing devices which require specific information before manufacturing. Although Redi-Seals are manufactured to the same exacting standards and specifications as the National stock product lines, exact dimensions are required before a seal can be made.

Please review the specifications manual before contacting National Redi-Seal. A National Zero Duplication Seal may already meet your sealing requirements.



DLO



SLO



DLG



SLG



FSR



SFS



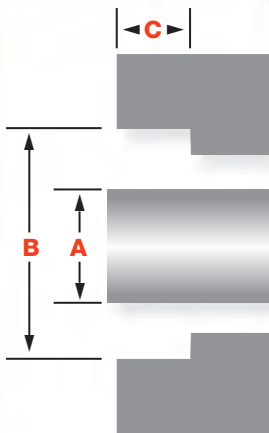
SLE



TSL



RTSL



A) Shaft Diameter
B) Bore Diameter
C) Width

1 Choose a style. NOTE: SLO and DLO are also available in split designs.

2 Measure the required dimensions to the nearest 0.001" or 0.05mm.

- Shaft Diameter _____
- Bore Diameter _____
- Width _____

3 Select the appropriate seal material

- Nitrile: -50°F to +250°F or -45°C to +121°C
- Fluoroelastomer: -40°F to +400°F or -40°C to +205°C
- PTFE: -65°F to +450°F or -55°C to +232°C
- R.O.D. PTFE (Type RTSL): -65°F to +300°F or -55°C to +150°C

4 Note any important application details:

- Shaft Speed _____ RPM
- Temp Range _____
- Lubricant _____
- Comments _____

Call the National Redi-Seal selection process inquiry line at 1 (800) 225-1220

CAUTION: Redi-Seals are not recommended for the following applications:

- Rear wheel bearing seals on rear wheel drive vehicles
- Automatic transmission front pump seals
- Any nuclear applications
- Stub shaft seals on front wheel drive vehicles
- Power steering pump seals
- Any aircraft / aviation / aerospace applications

Repair Damaged Shafts... or Protect New Ones

National Redi-Sleeves are precision stainless steel wear sleeves, designed to be pressed onto a shaft to provide an excellent sealing surface.

For grooved or worn shafts, Redi-Sleeves are a fast, inexpensive repair option. The Redi-Sleeve is simply pressed onto a shaft where indications of seal wear (such as tracks or grooves) have developed; the shaft now has a smooth, ideal sealing surface.

For new shafts, Redi-Sleeves provide superior sealing and ease of future repairs; simply pop off the worn sleeve and press on a new one, when needed.

Remember!

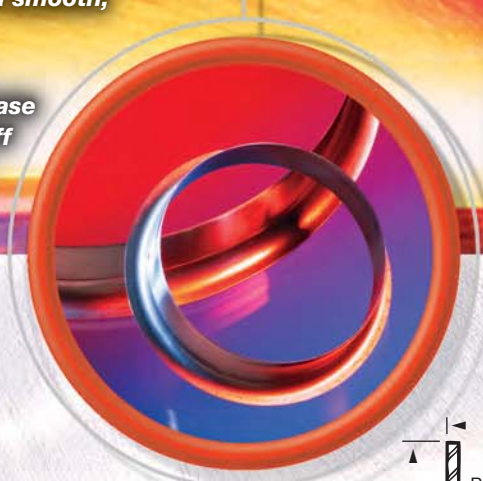
Use tools and components only for their intended purposes. Follow manufacturer repair and maintenance procedures. Eye protection should always be worn to prevent personal injury.

Fast, Inexpensive Shaft Repairs

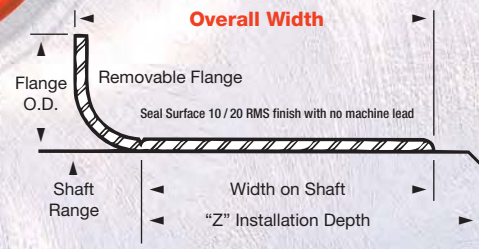
National Redi-Sleeves are easy to install, featuring a removable flange and an installation tool.

National Redi-Sleeves offer numerous shaft maintenance advantages:

- Strong, durable stainless steel construction provides a corrosion-free sealing surface that surpasses most original shaft specifications
- Ultra-thin construction (0.1" / 0.25mm wall thickness) allows original seal size to be used with minimal additional lip loading
- Redi-Sleeve surface is the best-possible sealing surface, ground to a 10 - 20 microinch Ra (.25 - .50 Micrometer Ra) finish without lead
- Available for shafts from .5" (12.7mm) to 8" (203mm) in diameter



Redi-Sleeve Size Selection



To select the proper size Redi-Sleeve, measure the shaft diameter where the sleeve will be positioned – ahead of the wear path. Do not measure the track worn by the old seal.

Measure the shaft in three positions: 12 o'clock to 6 o'clock, 2 o'clock to 8 o'clock, and 4 o'clock to 10 o'clock. Then average the three readings (to compensate for possible shaft out-of-round or error in measurement).

Use this averaged measurement to select a part number from the Size Chart provided, and order from your National Oil Seal distributor.

National race drivers are available from stocking distributors worldwide

NATIONAL® SHAFT REPAIR KITS

Save Time and Costly Shaft Replacements

Save time and costly shaft replacements by using National Shaft Repair Kits. Our kits include the industry-tested, technician-approved seal in addition to a National Redi-Sleeve.

Depend on National Shaft Repair Kits as a reliable, cost-effective alternative to replacing or repairing the shaft.



For assistance with pricing, product specifications, inventory planning and order fulfillment, the Special Markets Customer Service Team is available Monday - Friday, 8 am - 7 pm EST.

KIT INFORMATION			INCH				METRIC			
Kit Number	Seal	Redi-Sleeve	Shaft Size	Housing Bore	Outside Diameter	Width	Shaft Size	Housing Bore	Outside Diameter	Width
412920K	412920	99225	2.250	3.371	3.376	0.375	57,15	85,62	85,75	9,53
470380K	470380	99149	1.500	2.375	2.378	0.312	38,10	60,33	60,40	7,92
470625K	470625	99150	1.500	2.250	2.254	0.312	38,10	57,15	57,25	7,92
470712K	470712	99112	1.125	1.874	1.878	0.250	28,58	47,60	47,70	6,35
471255K	471255	99062	0.625	1.375	1.379	0.250	15,88	34,93	35,03	6,35
471271K	471271	99248	2.500	3.251	3.256	0.375	63,50	82,58	82,70	9,53
471272K	471272	99225	2.250	3.000	3.005	0.375	57,15	76,20	76,33	9,53
471413K	471413	99125	1.250	1.752	1.756	0.250	31,75	44,50	44,60	6,35
471652K	471652	99112	1.125	1.624	1.628	0.250	28,58	41,25	41,35	6,35
471750K	471750	99125	1.250	1.983	1.987	0.250	31,75	50,37	50,47	6,35
471766K	471766	99125	1.250	2.000	2.004	0.250	31,75	50,80	50,90	6,35
472258K	472258	99133	1.375	2.000	2.004	0.312	34,93	50,80	50,90	7,92

Call the Special Markets Customer Service Team at 1 (800) 480-1212

NATIONAL® ZERO DUPLICATION™ PROGRAM

More Efficient, More Profitable Seal Inventory Management

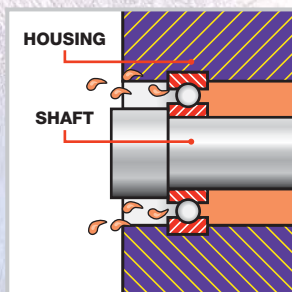
By consolidating your inventory into one systematic collection of premium-quality seals, the National Oil Seals Zero Duplication program provides comprehensive coverage while minimizing the number of replacement seals you carry in inventory.

The program is based on special selections of National Oil Seals, carefully designed to meet the requirements of applications with shaft diameters up to 12" or 300mm – with zero duplication of comparable seals.

Zero Duplication is an effective way to do more with less – so you can focus on other aspects of your business.

Advantages of the Zero Duplication program:

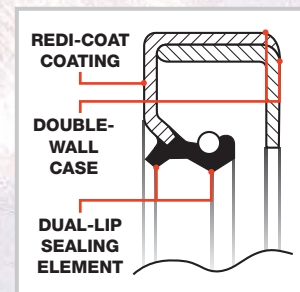
- Faster, more responsive service
- Simple, easy replacement seal selection
- Simplified ordering process
- Reduced acquisition costs
- Reduced storage costs and requirements
- Eliminates obsolete seals



A seal keeps contaminants out and lubricants in to protect and extend bearing life.



Typical Zero Duplication seal design.



Improve Coverage and Reduce Inventory

Each Zero Duplication seal effectively replaces several similar seals, providing comprehensive application coverage with less inventory.

Following a thorough analysis of application needs, the National design team concluded that the vast majority of application requirements can be met using only a few seal designs, if the designs incorporate the most effective performance features. The National design team has developed a comprehensive line of seals, in a range of common sizes, engineered to fit and perform well for virtually every industry need.

Performance Features*

Spring-loaded, dual-lip sealing element

Uses two sealing lips, one spring-loaded tightly against the shaft to retain lubricants, the other functioning as a contaminant excluder.

Double-wall case

Minimizes deformation to the case during installation and forms a secure, stable base for optimum sealing element performance.

Exclusive, Redi-Coat® coating

Seals minor bore defects to help ensure a tight, leak-proof seal.

Optional fluoroelastomer sealing element

(Available in selected part numbers in addition to standard nitrile seals) provides excellent high-temperature capabilities, good compatibility with a wide range of fluids, very long life.

Keep lubricants and other critical fluids in, water and other contaminants out.

*Seal designs may vary. Not all features are used in all Zero Duplication seals.

NATIONAL® ZERO DUPLICATION™ PROGRAM

Trust Zero Duplication Seals for Optimal Performance

By habit, a seal is often replaced by an identical seal. Zero Duplication seals, however, offer performance equal and often superior to the original seal. Even if the width, case design or sealing element differ, trust a Zero Duplication seal for optimal performance.

The Zero Duplication program offers tangible advantages for your customers:

- *Faster, more responsive customer service*
- *Provides customers with the optimal seal for their application*
- *Ensures you have the right seal in stock*

Three Zero Duplication stocking plans have been developed to maximize coverage:

- **Gold** (up to 6" / 160mm shaft sizes) – seals used in heavy industry (pulp and paper mills, ore processing, mining operations)
- **Silver** (up to 4" / 100mm shaft sizes) – seals used in general industry (including heavy-duty, high-horsepower motors)
- **Bronze** (up to 2.5" / 60mm shaft sizes) – seals used in light-duty service (including motion control equipment, conveying operations)

There is also an option to develop a customized Zero Duplication assortment based on an analysis of your present inventory.

Determining Zero Duplication Program Coverage

It's easy to find Zero Duplication seals in your National Oil Seals catalogs. Inside the 415 Specification Manual or the 428 Industrial Interchange Catalog, any National part number listed in **bold-face type** is a Zero Duplication seal.

Zero Duplication seals are available to fit shafts from .250" to 12.000" in diameter and bore sizes from .499" to 14.000"

Metric Zero Duplication seals are available to fit shafts from 7mm to 300mm in diameter and bore sizes from 16mm to 340mm.

27576 - 29840

Competitor Number	National Size & Type	Zero Duplication or Recommended Industrial
29292	416654	416654
29292	475012	416654
29300	416654	416654
29305	47665N	416654
29310	416654	416654
29316	416654	416654
29317	416654	416654
29317	475012	416654
29322	475012	416654
29360	475012	416654
29370	416654	416654
29371	416654	416654
29375	416654	416654

Zero Duplication part numbers are listed in bold-face type.

To get started, or for more information, call 1 (800) 480-1212 (select option #2).

USING THIS CATALOG

Complete Product Selection Data

Product Specification Section

The Specification Section contains complete product data for the selection of National® Shaft Seals, Redi-Sleeves™, Wear Sleeves, V-Seals and Redi-Seals®. Size Listings for each style and type of seal or sleeve, as well as Material and Compound Selection Guide, Compound Compatibility Chart, Recommended Operation Conditions Chart, Installation Instructions and Troubleshooting Guidelines are also included.

The Specification Section contains an introduction, technical sections, complete size listings, numerical index, metric listing and seal / component design illustration. All numbers are listed by size sequence and by National part number sequence.

Example:

PART NUMBER: If a National part number is known and dimensional data is required, consult the **NUMERICAL LISTING**

DIMENSIONS: If the dimensions of a seal are known and a part number is required, consult the **SIZE LISTING** for specific information

Interchange Guide

The Interchange Guide will assist in converting a competitor's part number to a corresponding National Seal. Begin by finding the identical first character of the product number (whether a letter or a numeral). Part numbers beginning with a letter will be listed in alphabetic, then numeric order.

All part numbers comprising numerals only will be listed in strict numeric order. For instances in which a letter appears in the middle of a part number (for example, 7A2125), the part number with the letter will be listed before any part numbers with a numeral in the same sequential position.

Example: **7A2125**
71250

Part number 7A2125
will be listed before
part number 71250

TABLE OF CONTENTS

SECTION 1 - TECHNICAL	Page Number
A Oil Seal Design and Selection	
- Types of Oil Seals	II
- National Seal Part Numbering System	II
- The Seal and Its Function	III
- Oil Seal Nomenclature and Components	IV
- Conversion Chart - RPM to FPM	IV
- National Oil Seal Design Description	V-VI
B Sealing Element Compounds	
- Materials and Compounds Available for Sealing Elements	VII
- Compound Selection Chart	VIII-XIV
C Sealing System Preparation and Seal Installation	
- Storage and Handling of Oil Seals	XV
- Shaft Requirements	XVI
- Bore Requirements	XVII
- Installation of Seals, Procedures, Guidelines and Tools	XVIII
D General Information	
- Oil Seal Distress Analysis, Trouble Shooting Checklist	XIX
- Redi-Sleeves Installation and Removal	XX
- National Wear Sleeves Description, Installation and Removal	XXI
- V-Seals Description, Material, Styles & Dimensional Reference ...	XXII
- Abbreviations To Manufacturers	XXIII-XXIV
- Seal Design Chart	XXV-XXVI
SECTION 2 - SIZE LISTING	
- Kits	123-126
- O-Rings	282-284
- Radial Shaft Seals	1-122
- Redi-Sleeve™	130-133
- Wear Sleeves	127-129
SECTION 3 - NUMERICAL LISTING	
- Kits	237-239
- Radial Shaft Seals	134-200
- Redi-Sleeve™	243-246
- V-Seals	247-250
- Wear Sleeves	240-242
- Industrial Metric Seals	200-236
- Felt Seals	236
SECTION 4 - METRIC LISTING	
- Seals listed according to sizes and types	251-281
SECTION 5 - INTERCHANGE GUIDE	
- Alphabetical Listing	285-369
- Numerical Listing	370-680

SECTION 1-A TECHNICAL

OIL SEAL DESIGN AND SELECTION

TYPES OF OIL SEALS

While industry has generally preferred the double lip or single lip, spring loaded seals, a wide variety of types and styles are produced to satisfy various application requirements.

To simplify the identification process of the oil seals a Type/Illustration column has been included in the Size, Numerical and Metric Listings of this catalog. The Type/Illustration number refers to the Oil Seal Illustration Chart. Just find the number on the illustration chart and the configuration of the component can be identified.

The National® Oil Seal Design Description is provided to illustrate seal types and to provide operating data and limitations for typical applications. Factors relative to oil seal design and selection are also reviewed. After size, application and seal requirements are determined, the proper seal can be located in the [Size Section](#). Likewise, when the National part number is known, the size and type can be easily located in the Numerical Section.

NATIONAL SEAL PART NUMBERING SYSTEM

The Federal-Mogul National Oil Seal Engineering Department assigns the part numbers for all general purpose and special purpose seals. Each type and size combination manufactured is identified by an individual part number.

Three numbering systems are generally used to identify National Oil Seals:

1. General Purpose Seals—Five or six digit numbers. The first one or two digits usually signify seal type or construction. The last four digits refer to a specific assigned shaft and bore size combination but do not indicate seal size. They are assigned in consecutive order as a new shaft/bore combination is established. It may be possible to interchange seals for which the first one or two digits are different but for which the following digits are the same. Such an interchange determination should be based on whether alternative seal designs would meet the requirements of the specific application. Letter suffixes to part numbers within this manual usually refer to the sealing lip compound used.
2. A four digit number system is used for some seals and general purpose seal kits with primarily automotive applications. The numbers have been assigned consecutively and do not relate to seal size.
3. Preassigned blocks of numbers are used to identify certain groups of miscellaneous and special purpose seals:

370000A — Wheel End Seals	200000 to 200500 — Triple Lip Designs
380000A — PTFE Wheel End Seals	200600 to 200899 — Triple Lip Designs External
39000 to 39999 — PTFE Seals	200900 to 200999 — Dual-Lip Design
410000 to 499999 — Plain Round	201000 to 205999 — Wheel Seals
710000 to 799999 — Misc. Round Application	220000 to 230000 — Automotive Metric
99000 — Redi Sleeves	800000 — V-Seals
	J, JV, JX etc. — Wear Sleeves

If an oil seal has a prefix and/or suffix that is not included within this manual, contact your regional Federal-Mogul Representative for more specific information.

SECTION 1-A TECHNICAL

OIL SEAL DESIGN AND SELECTION

THE SEAL AND ITS FUNCTION

Oil Seal Definition

As products, oil seals may be simply described as devices that close or *seal* the spaces between stationary and moving components in mechanical equipment . . . *they prevent lubricant from escaping.*

Oil seals often called grease, fluid or dirt seals are the vital components of practically every type of machine and vehicle in operation. These seals fulfill an exacting function . . . they protect all types of precision constructed, close fitting ball, sleeve and roller bearings.

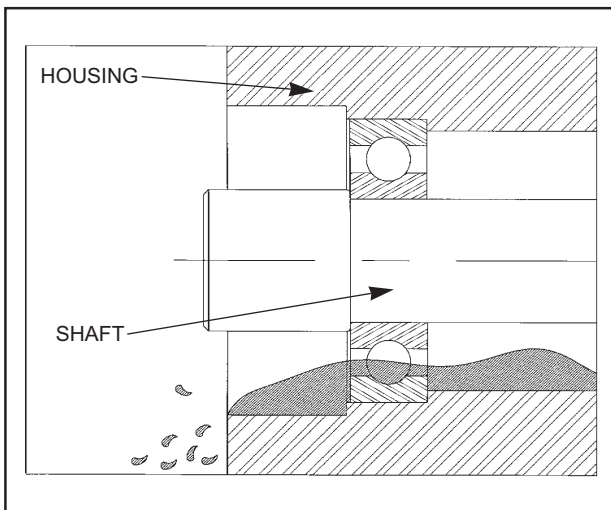
Oil Seal Function

Oil seals are used wherever shafts rotate and bearings require lubrication. In short, a seal is a barrier with three basic functions: 1) Retaining lubricants and liquids 2) Excluding contaminants 3) Seal or separate dissimilar fluids or gases.

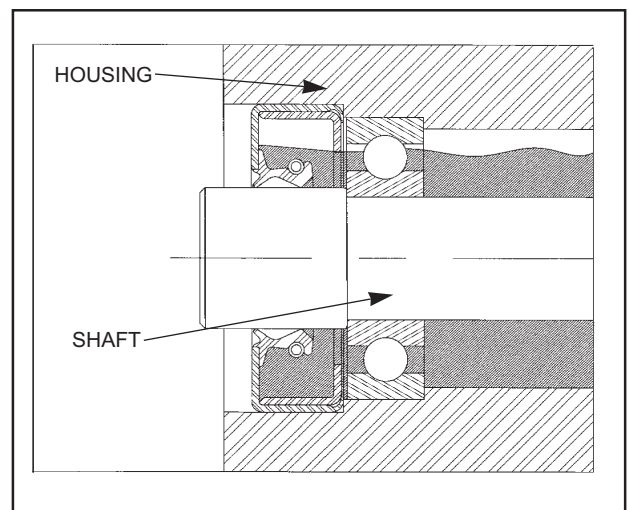
- Precision bearings rely on the oil seal to prevent lubricants from escaping the bearings or a specific area.
- Components of machines rely on the oil seal to prevent abrasives, corrosive moisture and other harmful contaminants from entering the mechanics of the machine.
- Separation of fluids and gases may completely rely on the seal to prevent intermixture of two different mediums such as lubricating oil and water.

Oil Seal In Use

In a typical application, the oil seal is installed adjacent to a bearing, sealing in or sealing out, as necessary, the various liquids, gases or solids encountered by the particular mechanism.



Without an oil seal . . . essential lubricant can escape through the bearing and . . . harmful dirt and foreign matter can enter.



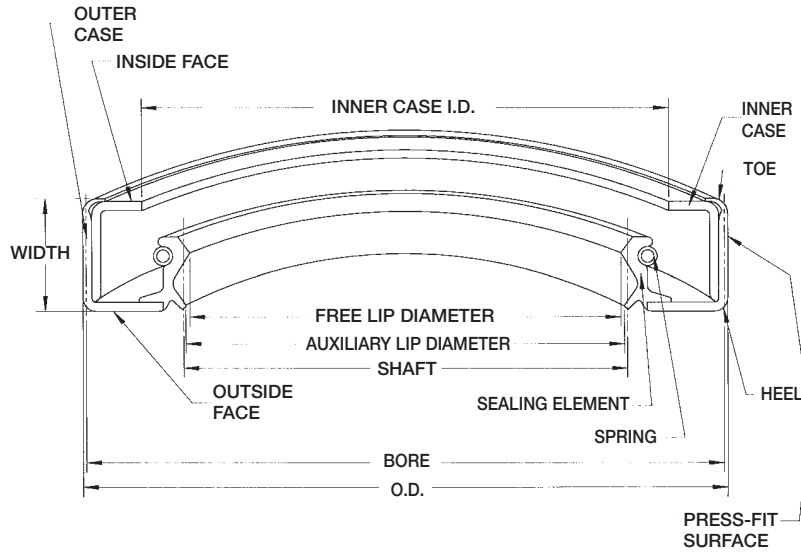
With a properly designed and fitted oil seal . . . the space between the housing and shaft is securely closed or sealed. Lubricant cannot escape . . . harmful dirt and foreign matter cannot enter.

SECTION 1-A TECHNICAL

OIL SEAL DESIGN AND SELECTION

OIL SEAL NOMENCLATURE AND COMPONENTS

The Society of Automotive Engineers (SAE) and the American Society of Testing Materials (ASTM) have developed and adapted a standard to identify component parts that make up an oil seal, as well as terminology and basic lip seal designs.



CONVERSION CHART - RPM TO FPM

Shaft Diameter is in inches

SHAFT DIAMETER







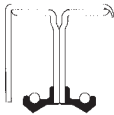
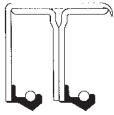

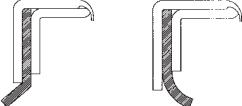
SPEED RANGE	RPM	1/2"	3/4"	1"	1-1/4"	1-1/2"	1-3/4"	2"	2-1/2"	3"	3-1/2"	4"	5"	6"	7"	8"	9"	10"	
	SLOW	100	13	20	26	33	39	46	52	65	79	92	105	131	157	183	209	236	262
300		39	59	79	98	118	137	157	196	236	275	314	393	471	550	628	707	785	
500		65	98	131	164	196	229	262	327	393	458	524	654	785	916	1047	1178	1309	
1000		131	196	262	327	393	458	524	654	785	916	1047	1309	1571	1833	2094	2356	2618	
1500		196	295	393	491	589	687	785	982	1178	1374	1571	1963	2356	2749				
2000		262	393	524	654	785	916	1047	1309	1571	1833	2094	2618						
2500		327	491	654	818	982	1145	1309	1636	1963	2291	2618							
3000		393	589	785	982	1178	1374	1571	1963	2356	2749								
3500		458	687	916	1145	1374	1604	1833	2291	2749									
4000		524	785	1047	1309	1571	1833	2094	2618										
MODERATE	4500	589	884	1178	1473	1767	2062	2356	2945										
	5000	654	982	1309	1636	1963	2291	2618											
	6000	785	1178	1571	1963	2356	2749												
	7000	916	1374	1833	2291	2749													
	8000	1047	1571	2094	2618														
	9000	1178	1767	2356	2945														
	10000	1309	1963	2618															
	12000	1571	2356																
	14000	1833	2749																
	16000	2094																	
HIGH	18000	2356																	
	20000	2618																	

This table is carried out to the limits of the recommended speeds expressed in FPM (feet-per-minute) for seals of standard construction. Sizes and speeds beyond this table require special analysis of all conditions related to the application. For intermediate shaft sizes of RPM, the standard procedure of interpolation will apply.

SECTION 1-A TECHNICAL

OIL SEAL DESIGN AND SELECTION

NATIONAL OIL SEAL DESIGN DESCRIPTION

Type Description	Representative Cross-Sections of Sealing Elements	Type Numbers	Shaft Speeds Feet Per Minute
Spring Loaded Design Single Lip		5L, 5S, 33, 35, 45, 48, 51, 54, 62, 75, 83, 91, 100	3000
Spring Loaded Design Multi-Lip		1L, 1S, 2L, 2S, 3L, 21, 25, 30, 32, 40, 41, 43, 47, 52, 56, 57, 59, 61, 66, 68, 69, 70, 71, 72, 74, 76, 78, 79, 86, 87, 88, 90, 92, 93, 94, 96, 99	3000
Spring Loaded "Convolute" Design		64, 65	3000
Springless Designs Single-Lip For Grease Retention And Slow Speed Applications		4L, 4S, 24, 29, 31, 34, 44, 201, 203, 204, 205, 230, 271, 272, 273, 277, 278, 279, 283, 290	2000 Type 4L 1000
Springless Designs Multi-Lip For Grease Retention And Slow Speed Applications		49, 97, 98, 274, 276, 280, 281, 282, 284, 285, 286, 287	2000
External Lip To Seal At Bore Slow Speed Applications		8L, 8S, 26, 36, 46, 200, 200E	750
Spring Loaded Dual Opposing Lips Separates 2 Fluids		7L, 7S	3000
Dual Spring Loaded Same Direction Inner Lip Stems Lube Surges		9L, 9S	3000
Utilized Oil Bath Seal Design H.D. Truck & Trailer Hubs		37-1,2,3,4,5,6,7,8,9,10,11,12	3000
General Purpose PTFE Design		D, F, P, W	6500

VAMAC® THE REGISTERED TRADEMARK OF E I DUPONT
 AFLAS® IS A REGISTERED TRADEMARK OF 3M COMPANY

TECHNICAL SECTION

SECTION 1-A TECHNICAL

OIL SEAL DESIGN AND SELECTION

NATIONAL OIL SEAL DESIGN TYPE DESCRIPTION

Maximum Pressure PSI @ FPM	Shaft Finish (Micro Inch) μ	Shaft Hardness	STBM Maximum (Shaft to Bore Misalignment @ RPM)	Maximum Shaft Dynamic Runout (DRO)
7 @ 1000 FPM 5 @ 2000 FPM 3 @ 3000 FPM	10-20	Above Rockwell C-45	.015" ECC @ 800 RPM .010" ECC @ 4200 RPM	.025" TIR @ 800 RPM .020" TIR @ 2200 RPM .015" TIR @ 4200 RPM
7 @ 1000 FPM 5 @ 2000 FPM 3 @ 3000 FPM	10-20	Above Rockwell C-45	.020" ECC @ 4200 RPM	.060" TIR @ 4200 RPM
Atmospheric	10-25	Above Rockwell C-45	.005" ECC	.005" TIR
Atmospheric	10-25	Above Rockwell C-45	.010" ECC	.010" TIR
7 @ 1000 FPM 5 @ 2000 FPM 3 @ 3000 FPM	10-20	Above Rockwell C-45	.015" ECC @ 800 RPM .010" ECC @ 4200 RPM	.025" TIR @ 800 RPM .020" TIR @ 2200 RPM .015" TIR @ 4200 RPM
2 @ 2000 FPM	100 Max.	Above Rockwell C-45	.010" ECC Max.	.015" TIR
35 @ 6500 FPM	25 Max.	Above Rockwell C-45	.025" ECC Max.	.015" TIR

SECTION 1-B TECHNICAL

Sealing Element Compounds

MATERIALS AND COMPOUNDS AVAILABLE FOR SEALING ELEMENTS

The environments in which a seal will operate should be determined before selecting the sealing element or lip material. Two of the most important factors in material selection are Lubricant Temperature and Type.

Federal-Mogul National Oil Seals offer a variety of sealing lip materials and compounds. The temperature limitations and fluid/lubricant compatibility for most compounds are shown within the Compound Selection Chart on the following pages.

National Seals are used in a wide range of applications. The seal is part of a system and is dependent on proper shaft and bore operation to function correctly.

Runout, lubrication, shaft-to-bore misalignment, shaft speed, temperature, and other factors vary greatly from one application to another and each may affect the seal's life. In a perfect system, these factors would be nominalized to achieve maximum life for all components. To assist our customers in getting maximum performance from their sealing system, we have provided recommendations below.

Operating a seal at one extreme condition will have a small effect on seal life. However, when a seal is operating at multiple extremes in the system, it will have a much greater impact on performance. Therefore, we ask you to use the following recommendations as a guide to achieving the maximum performance from your seal. Each material or compound has been assigned a specific letter code and is referenced in various tables and listings throughout this manual.

Compound	Code	Advantages	Disadvantages/Limitations	Range	Substitute	Code
Felt	F	Adequate seal for heavy lubricants. Primarily a wiper seal.	Poor performance at low shaft speeds. Inadequate when excessive moisture is present.	-65°F to 200°F -48°C to 93°C	Nitrile Polyacrylic Vamac® Fluoroelastomer Aflas® PTFE	S N E V A T
Leather	L	Good dry running capabilities.	Poor heat resistance. More expensive than Nitrile.	-50°F to 200°F -46°C to 93°C	Nitrile Polyacrylic Vamac® Fluoroelastomer Aflas® PTFE	S N E V A T
Urethane	U	Good lubricant and ozone resistance. Good abrasion resistance. Durable, less susceptible to damage during installation than Silicone	Undergoes substantial softening above 250°F Poor resistance to hot water or steam.	Dependent upon exact compound and usage.	None	
Nitrile	S	Low cost. Good low temp. capability. Low swell in hydrocarbon fluids.	Does not have excellent heat resistance. Poor resistance to lubricants containing sulphur or EP additives, hydrocarbons/oxygenate blends (gasoline/methanol). Poor ozone resistance.	-40°F to 225°F -40°C to 107°C	Polyacrylic Vamac® Fluoroelastomer Aflas® PTFE	N E V A T
Polyacrylate	N	Resistance to EP lubricants. Higher heat capabilities than Nitrile. Low swell in hydrocarbon fluids.	Limited low temperature capability. Poor dry running capability. Subject to attack in aqueous media. Higher cost than Nitrile	-20°F to 300°F -29°C to 149°C	Vamac® Fluoroelastomer Aflas® PTFE	E V A T
Ethylene-Acrylic (Vamac®)	E	Higher heat capabilities than Nitrile or Polyacrylic. Better low temp. performance than Polyacrylic. Good abrasion and dry running capability. Intermediate cost.	High swell in hydrocarbon fluids. Limited capabilities to follow eccentric shafts or perform in high frequency applications.	-30°F to 325°F -34°C to 163°C	Fluoroelastomer Aflas® PTFE	V A T
Silicone	H	Good dry heat resistance. Excellent low temperature capability.	Easily damaged during installation. Poor chemical resistance to certain EP additives and oxidized oil. High swell, poor dry running performance Higher cost than Nitrile.	-80°F to 350°F -62°C to 176°C	Fluoroelastomer Aflas® PTFE	V A T
Fluoro-Elastomer	V	Excellent high temperature capabilities. Compatible with wide range of fluids. Very long life.	Poor resistance to basic (high pH>7) fluids. Attack by high performance gear lubes. Expensive relative to other materials.	-40°F to 400°F -40°C to 204°C	Aflas® PTFE	A T
Tetrafluoro-Ethylene Propylene (Aflas®)	A	Better chemical resistance to all hydrocarbon fluids, acids, bases and oxidizing agents than Fluoroelastomers. Capable of performing in the complete range of hydraulic fluids. Continuous heat resistance over 400°F. Fair dry abrasion and radiation resistance.	Poor chemical resistance to hydrocarbon/oxygenate blends (gasoline/methanol). Poor low temperature capabilities. More expensive than Fluoroelastomers.	-30°F to 400°F -34°C to 204°C	PTFE	T
PTFE	T	Excellent dry running capabilities. Low coefficient of friction. Excellent chemical resistance. Resistant to hydrocarbon/oxygenate blends.	Poor abrasion resistance to dirty environments. High thermal expansion. Susceptible to damage during installation.	-100°F to 450°F -73°C to 232°C	None	

VAMAC® THE REGISTERED TRADEMARK OF E I DUPONT
AFLAS® IS A REGISTERED TRADEMARK OF 3M COMPANY

SECTION 1-B TECHNICAL

SEALING ELEMENT COMPOUNDS

Compound Selection Chart

Properties	S Nitrile	N Acrylates	E Vamac®	H Silicone	V Fluoroelastomers	A Aflas®
Durometer	60-80	70-75	70-90	80-90	75-85	75-95
Oil Resistance	Very Good	Fair	Good	Fair	Excellent	Excellent
Abrasion Resistance	Excellent	Fair	Good	Poor	Good	Good
Max. Service Temp.	225°F	300°F	325°F	350°F	400°F	400°F
Min. Service Temp.	-40°F	-20°F	-30°F	-80°F	-40°F	-30°F

Ratings: 1 = Minor effect 2 = Moderate effect 3 = Static only 4 = Not Recommended — = insufficient data

Elastomer	S	N	E	H	V	A	Elastomer	S	N	E	H	V	A
Acetaldehyde	4	4	3	2	4	4	Aroclor, 1260	1	4	4	2	1	1
Acetamide	1	4	1	2	2	1	Arsenic Acid	1	3	4	1	1	1
Acetic Acid, Glacial	3	4	4	2	3	4	Arsenic Trichloride (aq)	1	—	—	—	—	—
Acetic Acid, 30%	2	4	3	1	2	4	Askarel	2	4	4	4	1	1
Acetic Anhydrided	3	4	3	3	4	4	Asphalt	2	2	—	4	1	1
Acetone	4	4	4	3	4	4	ASTM Method D-471						
Acetophenone	4	4	4	4	4	4	1.....	1	1	1	3	1	1
Acetyl Chloride	4	4	4	3	1	1	2.....	1	1	2	3	1	1
Acetylene	1	4	4	2	1	1	3.....	1	1	3	3	1	2
Acrylonitrile	4	4	4	4	3	2	ASTM #4 Method D-471	2	—	—	4	1	—
Adipic Acid	1	—	2	2	—	1	ASTM Ref Fuel A						
Aero Shell 17 Grease	1	—	2	4	1	1	(MIL-2-3136B (Type 1))	1	2	2	4	1	2
Aero Shell 750	2	—	2	4	1	1	ASTM Ref Fuel B						
Aero Shell 7 A Grease	1	—	2	2	1	1	(MIL-S-3136B (Type 3))	1	—	2	4	1	2
Aero Shell IAC	1	—	—	—	1	1	ASTM Reference Fuel C	2	4	3	4	1	2
Alkazene							ATF Type (Mercon)	1	1	2	2	1	1
(Dibromoethylbenzene)	4	4	4	4	2	2	ATF Type A	1	1	2	2	1	1
Alum-NH ₃ -Cr-K(aq)	1	4	4	1	4	2	ATF Type F	1	1	2	2	1	1
Aluminum Acetate (aq)	2	4	4	4	4	3	ATF Type I	1	1	2	2	1	1
Aluminum Chloride (aq)	1	1	1	2	1	1	ATF Type II	1	1	2	2	1	1
Aluminum Floride (aq)	1	—	—	2	1	1	Automotive Brake Fluid	4	—	4	4	4	4
Aluminum Nitrate (aq)	1	—	—	2	1	1	Banana Oil (Amyl Acetate)	4	4	4	4	4	4
Aluminum Phosphate (aq)	1	—	—	1	1	1	Barium Chloride (aq)	1	1	2	1	1	1
Aluminum Sulfate (aq)	1	4	1	1	1	1	Barium Hydroxide (aq)	1	4	2	1	1	1
Ammonia Anhydrous	2	4	4	3	4	1	Barium Sulfate (aq)	1	4	2	1	1	1
Ammonia Gas (Cold)	1	4	4	1	4	1	Barium Sulfide (aq)	1	4	2	1	1	1
Ammonia Gas (Hot)	4	4	4	1	4	1	Beer	1	4	1	1	1	1
Ammonium Carbonate (aq)	4	4	4	—	—	1	Beet Sugar Liquors	1	4	2	1	1	1
Ammonium Chloride (aq)	1	—	1	—	1	1	Benzaldehyde	4	4	4	2	4	4
Ammonium Hydroxide (conc)	4	4	4	1	2	1	Benzene	4	4	4	4	1	2
Ammonium Nitrate (aq)	1	2	2	—	—	1	Benzene Sulfonic Acid	4	4	4	4	1	1
Ammonium Nitrite (aq)	1	—	—	2	—	1	Benzine (Ligroin)						
Ammonium Persulfate (aq)	4	4	—	—	—	1	(Nirtobenzine) (Pet Ether)	1	1	—	4	1	1
Ammonium Phosphate (aq)	1	—	—	1	—	1	Benzoic Acid	3	3	2	3	1	1
Ammonium Sulfate (aq)	1	4	1	—	4	1	Benzoyl Chloride	4	4	4	—	1	1
Amyl Acetate (Banana Oil)	4	4	4	4	4	4	Benzyl Alcohol	4	4	4	2	1	2
Amyl Alcohol	2	4	4	4	2	3	Benzyl Benzoate	4	4	4	—	1	1
Amyl Borate	1	—	—	—	1	1	Benzyl Chloride	4	4	4	4	1	1
Amyl Chloronaphthalene	4	4	4	4	1	2	Biphenyl (Diphenyl)						
Amyl Naphthalene	4	2	3	4	1	1	(Phenylbenzene)	4	4	4	4	1	1
Aniline	4	4	4	4	3	1	Blast Furnace Gas	4	4	4	1	1	1
Aniline Dyes	4	—	4	4	4	1	Bleach Solutions	4	4	4	2	1	1
Aniline Hydrochloride	4	4	4	3	2	2	Borax	2	2	1	2	1	1
ANILINE OILS	2	4	2	4	2	1	Bordeaux Mixture	2	4	4	2	1	1
Animal Fats	2	1	4	2	1	1	Boric Acid	1	4	1	1	1	1
Ansul Ether (Anesthetics)	1	4	1	4	4	4	Brake Fluid (Non-Petroleum)	4	—	4	4	4	4
API GL-5	3	1	4	4	1	1	Brake Fluid (Wagner 21B)	3	—	4	3	4	3
Aqua Regina	4	4	4	4	2	2	Brine	1	4	3	1	1	1
Aroclor, 1248	3	4	4	2	1	1	Bromine-Anhydrous	4	4	4	4	1	1
Aroclor, 1254	4	4	4	3	1	1	Bromine Trifluoride	4	4	4	4	4	2
							Bromine Water	4	4	4	4	1	1
							Bromobenzene	4	4	4	4	1	1
							Bunker Oil	1	1	2	2	1	1

SECTION 1-B TECHNICAL

Properties	S Nitrile	N Acrylates	E Vamac®	H Silicone	V Fluoroelastomers	A Aflas®
------------	--------------	----------------	-------------	---------------	-----------------------	-------------

Ratings: 1 = Minor effect 2 = Moderate effect 3 = Static only 4 = Not Recommended — = insufficient data

Elastomer	S	N	E	H	V	A	Elastomer	S	N	E	H	V	A
Butadiene	4	4	4	4	1	1	Cocoa Nut Oil	1	1	1	1	1	1
Butane	1	1	2	4	1	1	Cod Liver Oil	1	1	2	2	1	1
Butter (Animal Fat)	1	1	1	2	1	1	Coke Oven Gas	4	4	3	2	1	1
Butyl Acetate	4	4	4	4	4	4	Copper Acetate (aq)	2	4	4	4	4	4
Butyl Acetyl Ricinoleate	3	—	—	—	1	—	Copper Chloride (aq)	1	1	1	1	1	1
Butyl Acrylate	4	4	4	—	4	4	Copper Cyanide (aq)	1	1	2	1	1	1
Butyl Alcohol	1	4	1	2	1	1	Copper Sulfate (aq)	1	4	1	1	1	1
Butyl Amine	3	4	4	4	4	2	Corn Oil	1	1	1	1	1	1
Butyl Benzoate	4	4	4	—	1	1	Cottonseed Oil	1	1	1	1	1	1
Butyl Carbitol	4	4	4	4	1	4	Creosote (Coal Tar)	1	1	4	4	1	1
Butyl Cellosolve	3	4	4	—	4	4	Cresol	4	4	4	4	1	1
Butyl Oleate	4	—	2	—	1	1	Cresylic Acid	4	4	4	4	1	1
Butyl Stearate	2	—	1	—	1	1	Crude Oil	2	—	2	4	1	1
Butylene	2	4	1	4	1	1	Cumene	4	4	4	4	1	1
Butyraldehyde	4	4	4	4	4	2	Cutting Oil	1	—	2	4	1	1
Calcium Acetate(aq)	2	4	4	4	4	3	Cyclohexane	1	1	3	4	1	2
Calcium Bisulfite (aq)	4	4	2	1	1	1	Cyclohexanol	3	—	1	4	1	2
Calcium Carbonate	1	—	1	1	1	1	Cyclohexanone	4	4	4	4	4	2
Calcium Chloride (aq)	1	1	1	1	1	1	P-Cymene	4	4	4	4	1	1
Calcium Hydroxide (aq)	1	4	2	1	1	1	DC44M Hi Temp Silicone						
Calcium Hypochlorite (aq)	2	4	2	2	1	1	Grease	3	3	3	3	1	1
Calcium Nitrate (aq)	1	1	1	2	1	1	Decaline	4	—	—	4	1	1
Calcium Phosphate	1	—	1	1	1	1	Decane	1	1	2	2	1	2
Calcium Salts	1	—	1	—	—	1	Delco Brake Fluid	4	—	4	4	4	4
Calcium Sulfide (aq)	1	4	4	2	1	1	Denatured Alcohol	1	4	3	1	1	1
Cane Sugar Liquors	1	4	1	1	1	1	Detergent Solutions	1	4	1	1	1	1
Carbamate	3	4	4	—	1	1	Developing Fluids	1	—	2	1	1	1
Carbitol	2	4	3	2	2	4	Dextron	1	—	2	4	1	1
Carbolic Acid (Phenol)	4	4	4	4	1	1	Diacetone	4	4	4	4	4	4
Carbon Bisulfide	3	3	4	4	1	1	Diacetone Alcohol	4	4	4	2	4	4
Carbon Dioxide	1	—	1	2	1	1	Dibenzyl Ether	4	—	4	—	4	4
Carbonic Acid	2	1	1	1	1	1	Dibenzyl Sebecate	4	4	4	3	2	2
Carbon Monoxide	1	—	1	1	1	1	Dibromoethylbenzene						
Carbon Tetrachloride	3	4	4	4	1	4	(Alkazene)	4	4	4	4	2	2
Castor Oil	1	1	2	1	1	1	Dibutyl Amine	4	4	4	3	4	1
Cellosolve	4	4	4	4	3	4	Dibutyl Ether	4	3	4	4	3	2
Cellosolve Acetate	4	4	4	4	4	4	Dibutyl Phthalate	4	4	4	2	3	1
Cellulose (Fryquel)	4	4	4	1	1	1	Dibutyl Sebecate	4	4	4	2	2	1
China Wood Oil (Tung Oil)	1	—	2	4	1	1	O-Dichlorobenzene	4	4	4	4	1	1
Chlorine (Dry)	4	4	4	4	1	1	Dichloro-Isopropyl Ether	4	3	4	4	3	4
Chlorine (Wet)	4	4	4	4	1	1	Dicyclohexylamine	3	4	—	—	4	1
Chlorine Dioxide	4	4	4	—	1	1	Diesel Oil	1	1	1	4	1	2
Chlorine Trifluoride	4	4	4	4	4	4	Di-Ester Lubricant						
Chloroacetic Acid	4	4	4	—	4	4	(MIL-L-7808)	2	—	4	4	1	2 or 3
Chloroacetone	4	4	4	4	4	4	Di-Ester Synthetic						
Chlorobenzene	4	4	4	4	1	1	Lubricant	2	—	4	4	1	2 or 3
Chlorobromomethane	4	4	4	4	1	1	Diethylamine	2	4	4	2	4	1
Chlorobutadiene	4	4	4	4	1	1	Diethyl Benzene	4	—	—	4	1	1
Chlorododecane	4	4	4	4	1	1	Diethyl Ether	4	3	4	4	4	4
Chloroform	4	4	4	4	1	4	Diethylene Glycol	1	2	1	2	1	1
O-Chloronaphthalene	4	4	4	4	1	1	Diethyl Sebecate	2	4	4	2	2	1
1-Chloro-1-Nitro Ethane	4	4	4	4	4	2	Diisobutylene	2	4	4	4	1	1
Chlorosulfonic Acid	4	4	4	4	4	2	Diisopropyl Benzene	4	—	—	—	1	1
Chlorotoluene	4	4	4	4	1	2	Diisopropyl Ketone	4	4	4	4	4	4
Chlorox (Sodium Hypochlorite NaOC1)	2	4	4	2	1	1	Diisopropylidene Acetone						
Chrome Plating Solutions	4	4	4	2	1	1	(Phorone)	4	4	4	4	4	4
Chromic Acid	4	4	4	3	1	1	Dimethyl Aniline (Xylidine)	3	4	4	4	4	2
Citric Acid	1	—	1	1	1	1	Diethyl Ether (Methyl Ether)						
Coal Tar (Creosote)	1	1	4	1	1	1	(Monomethyl Ether)	1	4	4	1	1	3
Cobalt Chloride (aq)	1	4	4	2	1	1	Dimethyl Formamide	2	4	3	2	4	4
							Dimethyl Phthalate	4	4	4	—	2	1
							Dinitrotoluene	4	4	4	4	4	4
							Diocetyl Phthalate	3	4	4	3	2	1

TECHNICAL SECTION

SECTION 1-B TECHNICAL

Properties	S Nitrile	N Acrylates	E Vamac®	H Silicone	V Fluoroelastomers	A Aflas®
------------	--------------	----------------	-------------	---------------	-----------------------	-------------

Ratings: 1 = Minor effect 2 = Moderate effect 3 = Static only 4 = Not Recommended — = insufficient data

Elastomer	S	N	E	H	V	A	Elastomer	S	N	E	H	V	A
Diocetyl Sebecate	4	4	4	3	2	1	Fluorolube	1	—	4	1	2	2
Dioxane	4	4	4	4	4	4	Fluorosilicic Acid						
Dioxalane	4	4	4	4	4	4	(Hydrofluosilicic Acid)	1	—	2	4	1	1
Dipentene	2	4	4	4	1	1	Formaldehyde (RT)	3	4	4	2	4	3
Diphenyl (Biphenyl)							Formic Acid	2	—	2	2	3	2
(Phenylbenzene)	4	4	4	4	1	1	Freon 11	2	—	3	4	1	4
Diphenyl Oxides	4	4	4	3	1	1	Freon 12	1	1	3	4	2	4
Dowtherm Oil	4	4	2	3	1	1	Freon 13	1	—	3	4	1	4
Drink Water							Freon 21	4	—	3	4	4	4
(See Note Re. Water)	1	—	1	1	1	1	Freon 22	4	2	4	4	4	4
Dry Cleaning Fluids	3	4	3	4	1	2	Freon 31	4	—	3	—	4	4
Elco 28-EP Lubricant	1	—	1	4	1	1	Freon 32	1	—	3	—	4	4
Engine Oil (Diester Motor Oil)	2	1	2	1	1	1	Freon 112	3	—	3	4	1	4
Engine Oil (Hydrocarbon							Freon 113	1	—	3	4	2	4
Motor Oil)	1	1	1	1	1	1	Freon 114	1	—	3	4	2	4
Epichlorohydrin	4	4	4	4	4	4	Freon 115	1	—	3	—	1	4
EP Lubes	2	1	2	4	1	1	Freon 134A	4	4	2	4	4	4
ESSO GX 80W90 (GL-5)	2	1	2	4	1	1	Freon 142b	1	—	3	—	4	4
ESSO Motor Oil	1	—	1	4	1	1	Freon 152a	1	—	3	—	4	4
ESSO Transmission Fluid							Freon 218	1	—	3	—	1	4
(TYPE A)	1	—	2	4	1	1	Freon C316	1	—	3	—	—	4
ESSO XP90 EP Lubricant	1	—	2	4	1	1	Freon C318	1	—	3	—	2	4
Ethane	1	1	2	4	1	1	Freon 1381	1	—	3	4	1	4
Ethanol (Ethyl Alcohol)	1	4	3	1	3	2	Freon 114B2	2	—	3	4	2	4
Ethanolamine	2	4	4	2	4	1	Freon 502	2	—	3	—	2	4
Ethyl Acetate	4	4	4	2	4	4	Freon TF	1	—	3	4	2	4
Ethyl Acetoacetate	4	4	4	2	4	4	Freon T-WD602	2	—	3	4	1	4
Ethyl Acrylate	4	4	4	2	4	2	Freon TMC	2	—	3	3	1	4
Ethyl Alcohol	1	4	3	1	3	1	Freon T-P35	1	—	3	1	1	4
Ethyl Benzene	4	4	4	4	1	2	Freon TA	1	—	3	3	3	4
Ethyl Benzoate	4	4	3	4	1	2	Freon TC	1	—	3	4	1	4
Ethyl Cellosolve	4	4	4	4	4	4	Freon MF	1	—	3	4	2	4
Ethyl Cellulose	2	4	3	3	4	1	Freon BF	2	—	3	4	1	4
Ethyl Chloride	1	4	4	4	1	1	Fuel Oil	1	1	1	4	1	1
Ethyl Chlorocarbonate	4	4	4	4	1	1	Fumaric Acid	1	4	—	2	1	1
Ethyl Chloroformate	4	4	4	4	4	4	Furan, Furfuran	4	4	4	—	—	4
Ethyl Ether	3	4	4	4	4	4	Furfural	4	4	4	4	4	4
Ethyl Formate	4	—	4	—	1	4	Fyrquel (Cellulube)	4	4	—	1	1	1
Ethyl Mercaptan	4	—	4	3	2	1	Gallic Acid	2	4	4	—	1	1
Ethyl Oxalate	4	4	4	4	1	1	Gasohol (10% Ethanol	2	4	4	4	1	2
Ethyl Pentachlorobenzene	4	4	4	4	1	1	Ormethanol)						
Ethyl Silicate	1	—	—	—	1	1	Gasoline (Lead And No-lead)	2	4	3	4	3	2
Ethylene	1	—	4	—	1	1	Gasoline	2	4	2	4	1	1
Ethylene Chloride	4	4	4	4	2	1	Gelatin	1	4	1	1	1	1
Ethylene Chlorohydrin	4	4	4	2	1	2	Glauber's Salt (aq)	4	4	1	—	1	1
Ethylene Diamine	1	4	4	1	4	1	Glucose	1	—	1	1	1	1
Ethylene Dichloride	4	4	4	4	1	1	Glue	1	—	1	1	1	1
Ethylene Glycol	1	3	1	1	1	1	Glycerine	1	3	1	1	1	1
Ethylene Oxide	4	4	4	4	4	4	Glycols	1	4	1	1	1	1
Ethylene Trichloride	4	4	4	4	1	1	Grease	1	2	2	1	1	1
Fatty Acids	2	—	1	3	1	1	Green Sulfate Liquor	2	2	1	1	1	1
Ferric Chloride (aq)	1	1	2	2	1	1	Gulf High Temperature						
Ferric Nitrate (aq)	1	1	2	3	1	1	Grease	1	—	1	4	1	1
Ferric Sulfate (aq)	1	1	2	2	1	1	Halowax Oil	4	—	—	4	1	1
Fish Oil	1	—	—	1	1	1	N-Hexaldehyde	4	—	2	2	4	3
Fluorinated Cyclic Ethers	—	—	4	—	—	4	Hexane	1	1	1	4	1	2
Fluorine (Liquid)	4	4	4	4	2	2	N-Hexene-1	2	1	1	4	1	1
Fluorobenzene	4	4	4	4	1	1	Hexyl Alcohol	1	4	1	2	1	1
Fluoroboric Acid	1	—	—	—	—	1	High Viscosity Lubricant, H2	1	—	1	1	1	1
Fluorocarbon Oils	—	—	4	—	—	3	High Viscosity Lubricant, U4	1	—	1	1	1	1
							Hydrazine	2	—	—	3	4	3
							Hydraulic Oil (Petroleum)	1	1	1	3	1	1
							Hydrobromic Acid	4	4	2	4	1	1

SECTION 1-B TECHNICAL

Properties	S Nitrile	N Acrylates	E Vamac®	H Silicone	V Fluoroelastomers	A Aflas®							
Ratings:	1 = Minor effect	2 = Moderate effect	3 = Static only	4 = Not Recommended	— = insufficient data								
Elastomer	S	N	E	H	V	A	Elastomer	S	N	E	H	V	A
Hydrobromic Acid 40%	4	4	4	4	1	1	Methane	1	1	1	4	2	1
Hydrochloric Acid (Cold) 37%	3	4	4	3	1	1	Methanol (Methyl Alcohol)	1	4	1	1	4	2
Hydrochloric Acid (Hot) 37%	4	4	4	4	2	1	Methyl Acetate	4	4	4	4	4	4
Hydrocyanic Acid	2	4	—	3	1	1	Methyl Acrylate	4	4	4	4	4	4
Hydrofluoric Acid (Con.) Cold	4	4	4	4	1	1	Methylacrylic Acid	4	4	4	4	4	1
Hydrofluoric Acid (Conc.) Hot	4	4	4	4	3	1	Methyl Alcohol	1	2	1	1	4	1
Hydrofluoric Acid — Anhydrous	4	4	4	4	4	1	Methyl Bromide	2	3	—	—	1	1
Hydrofluosilicic Acid (Fluosilicic Acid)	1	—	—	4	1	1	Methyl Butyl Ketone (Propyl Acetone)	4	4	4	3	4	4
Hydrogen Gas	1	2	1	3	1	1	Methyl Cellosolve	3	4	4	4	4	1
Hydrogen Peroxide (90%)	4	4	4	2	2	1	Methyl Chloride	4	4	4	4	2	1
Hydrogen Sulfide (Wet) Cold	4	4	4	3	4	1	Methyl Cyclopentane	4	4	4	4	2	1
Hydrogen Sulfide (Wet) Hot	4	4	4	3	4	1	Methylene Chloride	4	4	4	4	2	2
Hydroquinone	3	4	—	—	2	2	Methyl Ether (Dimethyl Ether) (Monomethyl Ether)	4	4	4	4	2	2
Hyjjet	4	—	4	—	4	3	Methyl Ethyl Ketone	4	4	4	4	4	4
Hyjjet III	4	—	4	—	4	3	Methyl Formate	4	—	4	—	—	—
Hyjjet S	4	—	4	—	4	3	Methyl Isobutyl Ketone	4	4	4	4	4	4
Hyjjet W	4	—	4	—	4	3	Methyl Methacrylate	4	4	4	4	4	3
Hypochlorous Acid	4	4	4	—	1	1	Methyl Oleate	4	—	—	—	2	1
Iodine Pentafluoride	4	4	4	4	4	—	Methyl Salicylate	4	—	—	—	—	1
Iodoform	—	—	—	—	—	—	Milk	1	4	1	1	1	1
Isobutyl Alcohol	2	4	1	1	1	1	Mineral Oil	1	1	1	2	1	1
Isooctane	1	1	1	4	1	2	Monochlorobenzene	4	4	4	4	1	2
Isophorone	4	4	4	4	4	4	Monomethyl Aniline	4	4	4	—	2	1
Isopropyl Acetate	4	4	4	4	4	4	Monoethanol Amine	4	4	4	2	4	4
Isopropyl Alcohol	2	4	1	1	1	1	Monomethyl Ether (Methyl Ether) (Dimethyl Ether)	1	4	1	1	1	3
Isopropyl Chloride	4	4	4	4	1	1	Monovinyl Acetylene	1	—	—	2	1	1
Isopropyl Ether	2	3	4	4	4	4	Mustard Gas	—	—	—	1	—	1
Kerosene	1	1	3	4	1	1	MIL-L-644 B	1	2	2	3	—	—
Lacquers	4	4	4	4	4	3	MIL-L-2104 B	1	1	1	3	1	1
Lacquer Solvents	4	4	4	4	4	4	MIL-L-2105 B	1	1	1	3	1	1
Lactic Acid (Cold)	1	4	3	1	1	1	MIL-G-2108	1	1	1	3	1	1
Lactic Acid (Hot)	4	4	3	2	1	1	MIL-S-3136 B Type I	1	2	2	4	1	2
Lard	1	1	1	2	1	1	MIL-S-3136 B Type II	1	—	—	4	1	2
Lavender Oil	2	2	2	4	1	1	MIL-S-3136 B Type III	1	—	4	4	1	2
Lead Acetate (aq)	2	4	4	4	4	4	MIL-S-3136 B Type IV	1	1	1	3	1	2
Lead Nitrate (aq)	1	—	4	2	—	1	MIL-S-3136 B Type V	1	1	1	3	1	2
Lead Sulfamate (aq)	2	4	4	2	1	1	MIL-S-3136 B Type VI	1	1	1	3	1	2
Legroin (Benzene) (Nitrobenzene) (Pet Ether)	1	1	4	4	1	2	MIL-S-3136 B Type VII	1	—	—	4	1	2
Lime Bleach	1	4	4	2	1	1	MIL-L-3150 A	1	1	1	3	1	2
Lime Sulfur	4	4	4	1	1	1	MIL-L-3503	1	1	1	3	1	2
Lindol (Hydraulic Fluid)	4	4	4	3	2	1	MIL-L-3545 B	2	2	2	4	1	2
Linoleic Acid	2	—	3	2	2	1	MIL-C-4339 C	1	1	1	3	1	2
Linseed Oil	1	1	1	1	1	1	MIL-G-4343 B	2	1	—	4	1	1
Liquified Petroleum Gas	1	3	1	3	1	1	MIL-L-5020 A	1	2	2	4	1	2
Lubricating Oils (Petroleum)	1	1	1	4	1	1	MIL-J-5161 F	1	—	2	4	1	2
Lye	2	4	4	2	2	1	MIL-C-5545 A	2	2	—	4	1	2
Magnesium Chloride (aq)	—	1	1	1	1	1	MIL-H-5559 A	1	3	2	2	2	1
Magnesium Hydroxide (aq)	2	4	1	—	1	1	MIL-F-5566	1	—	2	1	1	1
Magnesium Sulfate (aq)	1	4	1	1	1	1	MIL-F-5602	1	1	3	3	1	2
Maleic Acid	4	4	1	—	1	1	MIL-H-5606 B (Red Oil)	1	1	2	4	1	—
Maleic Anhydride	4	4	—	—	4	1	MIL-J-5624 G JP-3, JP-4, JP-5	1	2	3	4	1	2
Malic Acid	1	4	3	2	1	1	MIL-O-6081 C	1	1	2	3	1	2
Mek ((M)Methyl Ethyl Ketone)	4	4	4	4	4	4	MIL-L-6082 C	1	1	2	3	1	2
Mercury Chloride (aq)	1	—	—	—	1	1	MIL-H-6083 C	1	1	2	3	1	2
Mercury	1	—	1	—	1	1	MIL-L-6085 A	1	3	4	3	1	2
Mesityl Oxide	4	4	—	4	4	—	MIL-L-6086 B	1	1	2	3	1	2
							MIL-L-6387 A	1	—	—	3	1	2
							MIL-C-6529 C	2	2	3	4	1	2
							MIL-F-7024 A	1	2	3	4	1	2
							MIL-H-7083 A	1	3	2	2	2	1

TECHNICAL SECTION

SECTION 1-B TECHNICAL

Properties	S Nitrile	N Acrylates	E Vamac®	H Silicone	V Fluoroelastomers	A Aflas®
------------	--------------	----------------	-------------	---------------	-----------------------	-------------

Ratings: 1 = Minor effect 2 = Moderate effect 3 = Static only 4 = Not Recommended — = insufficient data

Elastomer	S	N	E	H	V	A	Elastomer	S	N	E	H	V	A
MIL-G-7118 A	1	3	4	3	1	2	MIL-I-27686 D	1	3	2	2	2	2
MIL-G-7187	1	1	2	3	1	2	MIL-L-27694 A	1	—	—	4	1	1
MIL-G-7421 A	1	—	—	3	1	2	MIL-L-46000 A	1	3	3	3	1	2
MIL-H-7644	2	2	3	4	1	1	MIL-H-46001 A	1	1	1	3	1	2
MIL-L-7645	2	2	3	4	1	2	MIL-L-46002	1	—	—	3	1	2
MIL-G-7711 A	1	1	2	3	1	2	MIL-H-46004	1	1	1	3	1	2
MIL-L-7808 F	1	3	4	3	1	2	MIL-P-46046 A	2	2	2	4	1	1
MIL-L-7870 A	1	1	2	3	1	3	MIL-H-81019 B	1	1	1	3	1	2
MIL-C-8188 C	1	3	3	3	1	3	MIL-S-81087	1	—	—	4	1	1
MIL-A-8243 B	1	3	2	2	2	1	Naphtha	2	2	4	4	1	1
MIL-L-8383 B	1	1	2	3	1	2	Naphthalene	4	—	4	4	1	1
MIL-H-8446 B (MLO-8515)	2	3	4	4	1	2	Naphthalenic Acid	2	—	—	4	1	1
MIL-1-8660 B	1	—	—	4	1	1	Natural Gas	1	2	4	1	1	1
MIL-L-9000 F	1	2	3	4	1	2	Neats Foot Oil	1	1	4	2	1	1
MIL-T-9188 B	4	4	4	4	4	2	Neville Acid	4	4	4	4	1	1
MIL-L-9236 B	1	3	3	4	1	3	Nickel Acetate (aq)	2	4	4	4	4	4
MIL-L-10295 A	1	1	2	3	1	2	Nickel Chloride (aq)	1	3	4	1	1	1
MIL-L-10324 A	1	1	2	3	1	2	Nickel Sulfate (aq)	1	4	4	1	1	1
MIL-G-10924 B	1	1	1	3	1	2	Niter Cake	1	4	4	1	1	1
MIL-L-11734 B	1	3	2	3	1	2	Nitric Acid (Con.)	4	4	4	4	3	2
MIL-O-11773	1	3	3	3	1	2	Nitric Acid (Dilute)	4	4	4	2	1	2
MIL-P-12098	2	2	2	4	1	1	Nitric Acid — Red Fuming	4	4	4	4	4	2
MIL-H-13862	1	1	1	3	1	2	Nitrobenzene	4	4	4	4	2	1
MIL-H-13866 A	1	1	1	3	1	2	Nitrobenzene (Petroleum Ether)	1	1	4	4	1	1
MIL-H-13910 B	2	2	2	4	1	1	Nitroethane	4	4	4	4	4	1
MIL-H-13919 A	1	1	1	3	1	2	Nitrogen	1	1	1	1	1	1
MIL-L-14107 B	3	—	1	4	1	2	Nitrogen Tetroxide	4	4	4	4	4	1
MIL-L-15017	1	1	1	3	1	2	Nitromethane	4	4	4	4	4	1
MIL-L-15018 B	1	1	1	3	1	2	O-A-548 a	1	3	2	2	2	—
MIL-L-15019 C	1	1	1	3	1	2	O-T-634 b	3	4	4	4	1	—
MIL-L-15719 A	2	2	2	4	1	1	Octachlorotoluene	4	4	4	4	1	2
MIL-G-15793	1	3	3	3	1	2	Octadecane	1	2	2	4	1	1
MIL-F-16929 A	1	3	4	3	1	2	N-octane	2	4	1	4	1	1
MIL-L-16958 A	1	1	1	3	1	2	Octyl Alcohol	2	4	1	2	1	1
MIL-F-17111	1	1	1	3	1	2	Oleic Acid	3	4	3	4	2	1
MIL-L-17331 D	1	1	1	3	1	2	Oleum Spirits	2	—	4	4	1	2
MIL-L-17353 A	1	—	—	3	1	2	Olive Oil	1	1	1	3	1	1
MIL-L-17672 B	1	1	1	3	1	2	O-Dichlorobenzene	4	4	2	4	1	1
MIL-L-18486 A	1	1	1	3	1	2	Oxalic Acid	2	—	1	2	1	1
MIL-G-18709A	1	1	1	3	1	2	Oxygen — Cold	2	2	4	1	1	1
MIL-H-19457 B	4	4	4	4	4	3	Oxygen — (200-400°F)	4	4	4	2	2	1
MIL-F-19605	1	—	—	4	1	2	Ozone	4	2	1	1	1	1
MIL-L-19701	1	3	3	3	1	2	Paint Thinner, Duco	4	4	4	4	2	2
MIL-L-21260	1	1	1	3	1	2	Palmitic Acid	1	2	—	4	1	1
MIL-S-21568 A	1	1	1	4	1	1	Peanut Oil	1	1	1	1	1	1
MIL-H-22072	1	3	2	2	2	2	Perchloric Acid	4	4	4	4	1	1
MIL-L-22396	1	1	1	3	1	2	Perchloroethylene	2	4	4	4	1	1
MIL-L-23699 A	1	3	2	3	1	2	Petroleum — Below 250°F	1	2	2	2	1	1
MIL-G-23827 A	1	3	2	3	1	2	Petroleum — Above 250°F	4	4	2	4	2	1
MIL-G-25013	1	2	2	4	1	2	Phenol (Carbolic Acid)	4	4	4	4	1	1
MIL-F-25172	1	—	—	4	1	2	Phenylbenzene (Diphenyl)	4	4	4	4	1	1
MIL-L-25336 B	1	3	3	3	1	2	Phenylbenzene (Diphenyl) (Diphenyl)	4	4	4	4	1	1
MIL-F-25524 A	1	—	1	4	1	2	Phenyl Ethyl Ether	4	4	4	4	4	3
MIL-G-25537 A	1	1	1	3	1	2	Phenyl Hydrazine	4	4	4	—	1	1
MIL-F-25558 B (RJ-1)	1	1	1	3	1	1	Phorone (Diisopropylidene Acetone)	4	4	4	4	4	4
MIL-F-25576 C(RP-1)	1	1	1	4	1	1	Phosphoric Acid — 20%	2	—	2	2	1	1
MIL-H-25598	1	1	1	3	1	2	Phosphoric Acid — 45%	4	—	2	3	1	1
MIL-F-25656 B	1	—	—	4	1	1	Phosphorus Trichloride	4	—	—	—	1	1
MIL-L-25681 C	1	2	2	4	1	1							
MIL-G-25760 A	1	3	3	4	1	2							
MIL-G-25968	1	3	3	3	1	2							
MIL-L-26087 A	1	1	2	3	1	2							
MIL-G-27343	1	—	—	4	1	1							
MIL-H-27601 A	2	2	2	4	1	2							
MIL-G-27617	4	—	—	4	1	1							

SECTION 1-B TECHNICAL

Properties	S Nitrile	N Acrylates	E Vamac®	H Silicone	V Fluoroelastomers	A Aflas®
Ratings:	1 = Minor effect	2 = Moderate effect	3 = Static only	4 = Not Recommended	— = insufficient data	
Elastomer	S	N	E	H	V	A
Pickling Solution	4	4	4	4	2	1
Picric Acid	2	—	4	4	1	1
Pinene	2	4	4	4	1	1
Pine Oil	4	—	2	3	1	1
Piperidine	4	4	4	4	4	—
Plating Solution — Chrome	—	—	—	4	1	1
Plating Solution — Others	1	—	—	4	1	1
Polyvinyl Acetate Emulsion	—	—	1	—	—	—
Potassium Acetate (aq)	2	4	4	4	4	4
Potassium Chloride (aq)	1	1	1	1	1	1
Potassium Cupro Cyanide (aq)	1	1	1	1	1	1
Potassium Cyanide (aq)	1	1	1	1	1	1
Potassium Dichromate (aq)	1	1	2	1	1	1
Potassium Hydroxide (aq)	2	4	4	3	4	1
Potassium Nitrate (aq)	1	1	1	1	1	1
Potassium Sulfate (aq)	1	4	—	1	1	1
Producer Gas	1	2	1	2	1	1
Propane	1	1	1	4	1	1
i-Propyl Acetate	4	4	4	4	4	4
n-Propyl Acetate	4	4	4	4	4	4
Propyl Acetone (Methyl Butyl Ketone)	4	4	4	3	4	4
Propyl Alcohol	1	4	1	1	1	1
Propyl Nitrate	4	4	4	4	4	1
Propylene	4	4	4	4	1	1
Propylene Oxide	4	4	4	4	4	4
Pydraul, 10E, 29 ELT	4	4	4	4	1	1
Pydraul, 30E, 50E, 65E, 90E	4	4	4	1	1	1
Pydraul, 115E	4	4	4	4	1	1
Pydraul, 230E, 312C, 540C	4	4	4	4	1	1
Pyranolo, Transformer Oil	1	1	4	4	1	1
Pyridine	4	4	4	4	4	1
Pyrolygneous Acid	4	4	4	—	4	—
Pyrrrole	4	4	4	2	4	3
P-S-661 b	1	—	—	4	1	—
P-D-680	1	—	—	4	1	—
Radiation	3	3	1	3	4	1
Rapeseed Oil	2	2	2	4	1	1
Red Oil (MIL-H-5606)	1	1	2	4	1	1
RJ-1 (MIL-F-25558 B)	1	1	2	4	1	1
RP-1 (MIL-F-25576 C)	1	1	2	4	1	1
SAE 30	1	1	1	1	1	1
SEA 90	1	1	1	4	1	1
SAE 90 EP(GL-5)	2	1	2	4	1	1
Sal Ammoniac	1	1	1	2	1	1
Salicylic Acid	2	—	1	—	1	1
Salt Water	1	4	1	1	1	1
Sewage	1	4	1	1	1	1
Shell Alvania Grease #2	1	—	1	2	1	1
Silicate Esters	2	—	4	4	1	1
Silicone Greases	1	1	1	3	1	1
Silicone Oils	1	1	1	3	1	1
Silver Nitrate	2	1	1	1	1	1
Skydrol 500	4	4	4	3	4	2
Skydrol 7000	4	4	4	3	2	2
Soap Solutions	1	4	1	1	1	1
Soda As	1	—	1	1	1	1
Sodium Acetate (aq)	2	4	4	4	4	4
Sodium Bicarbonate (aq) (Baking Soda)	1	—	1	1	1	1
Sodium Bisulfite (aq)	1	4	1	1	1	1
Sodium Borate (aq)	1	—	1	1	1	1
Elastomer	S	N	E	H	V	A
Sodium Chloride (aq)	1	—	1	1	1	1
Sodium Cyanide (aq)	1	—	1	1	1	1
Sodium Hydroxide (aq)	2	3	1	2	2	1
Sodium Hypochlorite (aq) (Chlorox)	2	4	2	2	1	1
Sodium Metaphosphate (aq)	1	—	—	—	1	1
Sodium Nitrate (aq)	1	—	—	4	—	1
Sodium Perborate (aq)	2	—	2	2	1	1
Sodium Peroxide (aq)	2	4	3	4	1	1
Sodium Phosphate (aq)	1	1	2	4	1	1
Sodium Silicate (aq)	1	—	1	—	1	1
Sodium Sulfate (aq)	1	4	2	1	1	1
Sodium Thiosulfate (aq)	2	4	2	1	1	1
Soybean Oil	1	1	2	1	1	1
Stannic Chloride (aq)	1	—	2	2	1	1
Stannous Chloride (aq)	1	—	2	2	1	1
Steam Under 300°F	4	4	1	3	4	1
Steam Over 300°F	4	4	1	4	4	1
Stearic Acid	2	—	4	2	—	1
Stoddard Solvent	1	1	3	4	1	1
Styrene	4	4	4	4	2	2
Sucrose Solution	1	4	1	1	1	1
Sulfite Liquors	2	4	4	4	1	1
Sulfur	4	4	2	3	1	1
Sulfur Chloride (aq)	3	4	2	3	1	1
Sulfur Dioxide (Dry)	4	4	2	2	1	1
Sulfur Dioxide (Wet)	4	4	2	2	1	1
Sulfur Dioxide (Liquified) Under Pressure	4	4	2	2	1	1
Sulfur Hexafluoride	2	4	4	2	1	1
Sulfur Trioxide	4	4	4	2	1	1
Sulfuric Acid (Dilute)	3	2	4	4	1	1
Sulfuric Acid (Conc.)	4	4	4	4	1	1
Sulfuric Acid (20% Oleum)	4	4	4	4	1	1
Sulfurous Acid	2	4	4	4	1	1
Sunoco All Purpose Grease	1	—	1	4	1	1
Sunoco SAE 10	1	—	2	4	1	1
Tannic Acid	1	4	2	2	1	1
Tar, Bituminous	2	4	4	2	1	1
Tartaric Acid	1	—	2	1	1	1
Terpineol	2	—	—	—	1	1
Tertiary Butyl Alcohol	2	4	3	2	1	1
Tertiary Butyl Catechol	4	4	4	—	1	—
Tertiary Butyl Mercaptan	4	4	4	4	1	1
Tetrabromoethane	4	4	4	4	1	1
Tetrabromomethane	4	—	4	4	1	1
Tetrabutyl Titanate	2	—	—	—	1	1
Tetrochloroethylene	4	4	4	4	1	1
Tetraethyl Lead	2	—	3	—	1	1
Tetrahydrofuran	4	4	4	4	4	4
Tetralin	4	—	—	4	1	1
Thionyl Chloride	4	4	4	—	2	1
Titanium Tetrachloride	2	4	4	4	1	1
Toluene	4	4	4	4	1	4
Toluene Diisocyanate	4	4	4	4	4	4
Transformer Oil	1	2	1	2	1	1
Transmission Fluid Type A	1	1	1	2	1	1
Triacetin	2	4	4	—	4	2
Triaryl Phosphate	4	4	4	3	1	1
Tributoxy Ethyl Phosphate	4	4	4	—	1	1
Tributyl Mercaptan	4	4	4	4	1	1
Tributyl Phosphate	4	4	4	4	4	1

TECHNICAL SECTION

SECTION 1-B TECHNICAL

Properties	S Nitrile	N Acrylates	E Vamac®	H Silicone	V Fluoroelastomers	A Aflas®
------------	--------------	----------------	-------------	---------------	-----------------------	-------------

Ratings: 1 = Minor effect 2 = Moderate effect 3 = Static only 4 = Not Recommended — = insufficient data

Elastomer	S	N	E	H	V	A	Elastomer	S	N	E	H	V	A
Trichloroacetic Acid	2	4	4	—	3	2	Varnish	2	4	1	4	1	1
Trichloroethane	4	4	4	4	1	1	Vegetable Oils	1	1	1	2	1	1
Trichloroethylene	4	4	4	4	1	4	Versilube F-50	1	1	2	3	1	1
Tricresyl Phosphate	4	4	2	3	1	1	Vinegar	2	4	2	1	1	2
Triethanol Amine	2	4	1	—	4	1	Vinyl Chloride	4	4	4	—	1	1
Triethyl Aluminum	4	4	4	—	2	1	VV-B-680	2	2	2	4	1	1
Triethyl Borane	4	4	4	—	1	1	VV-G-632	1	1	2	3	1	2
Trinitrotoluene	4	4	4	—	2	2	VV-G-671c	1	1	2	3	1	2
Trioctyl Phosphate	4	4	2	3	2	1	VV-H-910	2	2	2	4	1	1
Tung Oil (China Wood Oil)	1	—	2	4	1	1	VV-I-530a	1	1	2	3	1	2
Turbine Oil	2	1	2	4	1	1	VV-K-211d	1	—	—	4	1	2
Turbo Oil #35	1	—	2	4	1	1	VV-K-220a	1	2	2	4	1	2
Turpentine	1	2	4	4	1	1	VV-L-751b	2	2	2	4	1	2
Type I Fuel (MIL-S-3136)	1	—	1	4	1	1	VV-L-800	1	1	1	3	1	2
Type II Fuel (MIL-L-3136)	2	—	2	4	1	1	VV-L-820b	1	1	1	3	1	2
Type III Fuel (MIL-L-3136)	2	—	4	4	1	1	VV-L-825a Type I	1	1	1	3	1	2
TT-N 95 a	1	—	—	4	1	2	VV-L-825a Type II	1	1	1	3	1	2
TT-N-97 B	1	3	3	4	1	2	VV-L-825a Type III	2	2	3	4	1	2
TT-I-735 b	1	—	—	1	1	1	VV-O-526	1	1	2	3	1	2
TT-S-735 Type I	1	2	2	4	1	2	VV-P-216a	1	1	2	3	1	2
TT-S-735 Type II	1	—	—	4	1	2	VV-P-236	2	2	3	4	1	2
TT-S-735 Type III	1	—	—	4	1	2	Wagner 21 Brake Fluid	3	—	4	3	4	1
TT-S-735 Type IV	1	1	2	3	1	2	Water	1	4	1	1	1	1
TT-S-735 Type V	1	1	1	3	1	2	Whiskey, Wines	1	4	1	1	1	1
TT-S-735 Type VI	1	1	1	3	1	2	White Pine Oil	2	—	—	4	1	1
TT-S-735 Type VII	1	—	—	4	1	2	White Oil	1	1	1	4	1	1
TT-T656b	4	4	4	4	4	3	Wood Oil	1	1	1	4	1	1
Unsymmetrical Dimethyl Hydrazine (UDMH)	2	—	—	4	4	—	Xylene	4	4	4	4	1	3
							Xylidine (Di-methyl Aniline)	3	4	4	4	4	2
							51-F-23	1	1	1	3	1	1

SECTION 1-C TECHNICAL

Sealing System Preparation And Seal Installation

STORAGE AND HANDLING OF OIL SEALS

Introduction

Careful storage and handling of radial lip type seals is necessary to avoid hazards prior to installation which would adversely affect service life.

General Storage

Radial lip type seals are very robust long lived components. However, as with any precision components they should be stored with care as the service life of bearings and/or other costly machined parts may depend upon how well the seal performs. Hazards which may be encountered include: temperature, ozone, humidity, radioactive materials, fumes, dust, grit and mechanical damage.

The storage area should be cool (60° to 90°F) and with average (40 to 70%) humidity. Seals should be stored on a first in - first out basis, since even under ideal conditions, an unusually long shelf life may cause deterioration of element materials. Excessive heat and/or exposure to ozone can cause premature aging of some types of sealing elements thus reducing service life. Avoid storage near sources of heat. To prevent ozone aging, keep away from direct or reflected sunlight and electrical equipment that may generate ozone. Excessive humidity will deteriorate some seal element materials as well as cause corrosive damage to metal cases and springs.

Oil seals should be stored in a place other than a work area to avoid possible mechanical damage by equipment or falling objects. A closed container will provide protection from mechanical damage, as well as dust, grit and other contaminants.

Mechanical Damage

Many oil seal failures can be traced to improper handling or storage of the seal. To avoid damage:

- Keep in the box in which they were originally packed. Never store seals unprotected in open bins.
- Never hang seals on a hook.
- Never tag seals.
- Keep seals clean.
- Avoid dropping seals. This may dislodge the spring, distort or contaminate the seal.
- Never use old or damaged seals.

Lip Compound Age Resistance (Shelf Life)

Resistance to deterioration in storage varies between elastomers. Proper storage under conditions which minimize aging effect is extremely important. The chart below presumes proper storage conditions and reflects general usage applications.

Type of Lip Material	Shelf Life
Urethane	3 to 5 years
Nitrile	5 to 10 years
AFLAS®, Fluoroelastomer, Silicone,	Up to 20 years
Polyacrylate, VAMAC®	Up to 20 years
Felt, Leather, PTFE	Indefinite

SECTION 1-C TECHNICAL

Sealing System Preparation And Seal Installation

SHAFT REQUIREMENTS

Proper engineering of the components of the assembly is necessary for seal reliability. Shaft requirements have been determined by the Rubber Manufacturer's Association, which includes Federal-Mogul Corporation, through thousands of hours of testing. The following items should be considered at the original equipment design stage or whenever an existing application is to be upgraded.

Shaft Finish — Shaft finish, a prime factor in proper functioning of a lip seal, should be specified as 10-25 microinches Ra (0.20-0.60 micrometers Ra) with no machine lead.

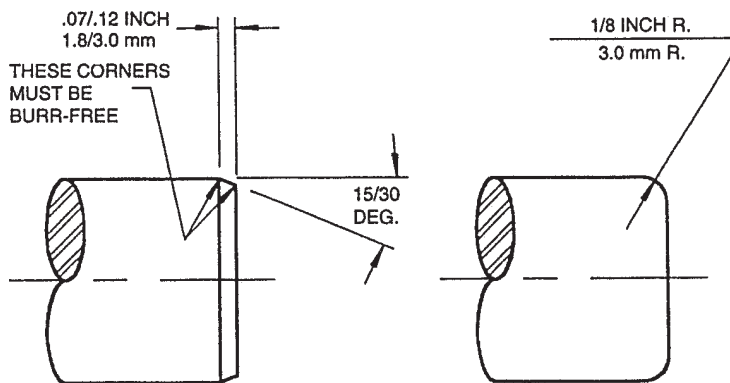
Shaft Lead — Maximum permissible lead angle is $0 \pm 0.05^\circ$. The most acceptable method for obtaining this surface characteristic is plunge grinding.

Shaft Diameter — Shaft diameter tolerances are shown below. Tolerances greater than those shown should be used only if agreed upon between user and supplier.

Shaft Diameter (inches)	Tolerances	Shaft Diameter (mm)	Tolerances
To and including 4.000	$\pm .003$	To and including 100	± 0.08
4.001 through 6.000	$\pm .004$	100.01 through 150	± 0.10
6.001 through 10.000	$\pm .005$	150.01 through 250	± 0.13
10.001 and larger	$\pm .006$	250.01 and larger	± 0.15

Shaft Hardness — Radial lip type seals will function satisfactorily on mild steel, cast iron or malleable iron shafts. Under normal conditions, however, the section of the shaft contacted by the sealing lip should be hardened to Rockwell C30 minimum. If, however, the shaft may be nicked or damaged during handling or assembly, a Rockwell C45 minimum is recommended.

Shaft Chamfer — To aid installation and help prevent damage to the seal lip, the leading edge of the shaft should have a chamfer or radius which must be smooth and free of nicks or rough spots.



Shaft-to-Bore Misalignment (STBM)

— The distance the center of rotation is displaced from the center of the bore. It usually exists to some degree due to normal machining and assembly tolerances. Misalignment results in uneven wear and, if excessive, will shorten seal life. To measure, attach a dial indicator to the shaft and indicate off the seal bore while rotating the shaft. For specific limitations see the National Oil Seal Design Type and Description charts on page 6 & 7.

Dynamic Runout — Twice the distance the center of the shaft is displaced from the center of rotation. It can result from a bent shaft, lack of shaft balance or other manufacturing variables. To measure, find the total movement of an indicator held against the seal area of the slowly rotating shaft. For specific limitations see the National Oil Seal Design Type and Description charts on page 6 & 7.

Shaft Material — Steel, stainless steel and certain cast irons all provide good sealing surfaces if finished properly. Brass or bronze shafts are not recommended nor are alloys of aluminum, zinc, magnesium and other similar elements. If plating is considered, it should be hard nonporous chrome plate. Flaking or plating exposes razor edges which may cut the seal lip.

SECTION 1-C TECHNICAL

Sealing System Preparation And Seal Installation

BORE REQUIREMENTS

Maintaining proper bore characteristics is important if the integrity of the sealing system is to remain intact. To provide proper fit of National Oil Seals, the dimensions relative to Bore Tolerance and seal Press Fit should be followed.

Bore Tolerances and Seal Press Fit

The Table below indicates recommended Bore Tolerances and seal Press Fit for both Metal and Rubber O.D. seals.

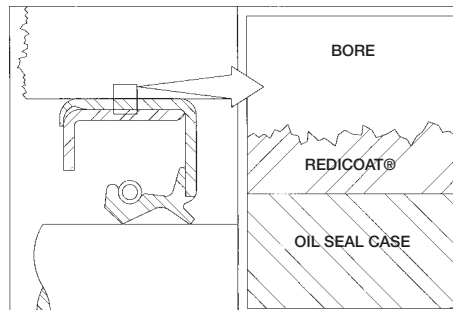
Bore Diameter	Bore Tolerance	Nominal Press Fit Metal O.D.	Metal O.D. Tolerance	Nominal Press Fit Rubber O.D.	Rubber O.D. Tolerance
Up to 2.000	± 0.001	0.005	± 0.002	0.008	± 0.003
2.000 to 3.000	± 0.001	0.005	+0.003 / -0.002	0.010	± 0.003
3.001 to 4.000	± 0.0015	0.006	± 0.003	0.011	± 0.003
4.001 to 5.000	± 0.0015	0.006	± 0.003	0.011	± 0.003
5.001 to 7.000	± 0.0015	0.007	± 0.003	0.012	± 0.004
7.001 to 12.000	± 0.002	0.008	+0.004 / -0.003	0.013	± 0.004
12.001 to 20.000	± 0.003	0.012	± 0.005	0.015	± 0.005
20.001 to 40.000	± 0.004	0.013	± 0.005	0.018	± 0.006
40.001 to 60.000	± 0.006	0.016	± 0.006	0.020	± 0.007

Bore Material

Ferrous materials are commonly used for bore housings. The table above applies to these types of materials. However, if other materials are used (i.e., aluminum or composites) higher rates of thermal expansion are usually involved and should be considered.

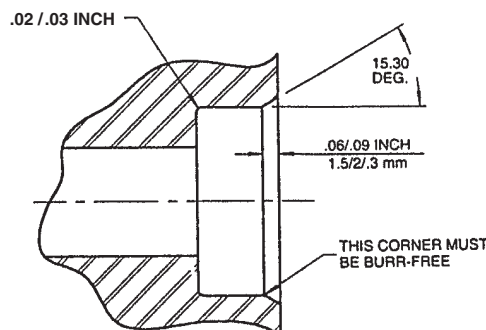
Bore Finish

A finish of 125 microinches Ra (3.2 micrometers Ra) or smoother should be maintained to assure a leak free environment. If the bore is rougher than 125 microinches Ra (3.2 micrometers Ra) National Oil Seal offers an environmentally friendly waterbase resinous coating on all of the O.D.'s of the metal cases. This coating process or material is termed Redicoat™.



Bore Configuration

The lead corner of the seal bore should be chamfered for ease of seal installation. Rough corners or burrs can scratch the seals outside diameter and cause potential leak paths.



REDICOAT IS A REGISTERED TRADEMARK OF FEDERAL-MOGUL CORP.

SECTION 1-C TECHNICAL

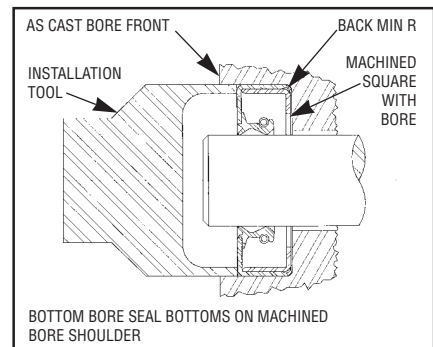
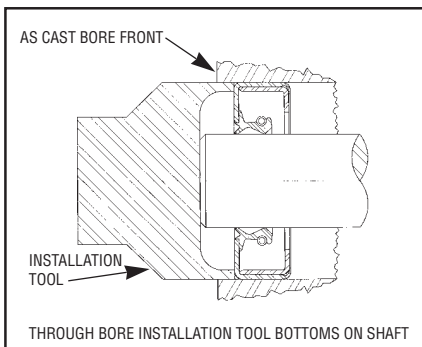
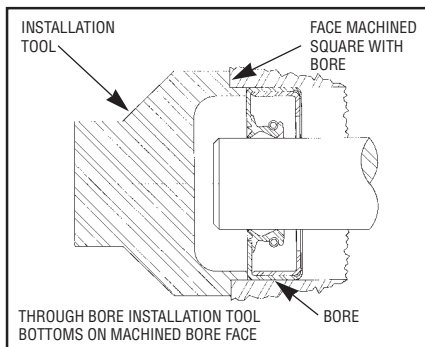
Sealing System Preparation And Seal Installation

INSTALLATION OF SEALS, PROCEDURES, GUIDELINES AND TOOLS

Oil Seal Installation Procedure

- 1) *Inspect the bore.* Insure that it is clean and free of burrs that might distort the seal or cut the O.D., that may cause leakage. Check for roundness and make sure the leading edge is either rounded or chamfered.
- 2) *Inspect the shaft.* Look for machining lead, burrs, dirt and paint that might damage the seal or provide a leak path. If the old seal has worn a groove into the shaft, it needs to be repaired. In many cases, National Redi-Sleeves will enable you to quickly and inexpensively repair this condition. For more information, regarding National Redi-Sleeves see page 23 & 24.
- 3) *Inspect the Shaft End.* Remove all burrs and sharp edges. The shaft should be chamfered or radiused to assure the seal is not damaged during installation. If this is not possible, then an installation sleeve should be used.
- 4) *Inspect Splines and Keyways.* If the shaft has splines or keyways, cover with a sleeve, shim stock or tape to protect the seal lip.
- 5) *Inspect the Seal.* Check the seal for any damage (nicks, cuts, scratches or distortion of the sealing lip) that may have been caused during shipping. A damaged seal should be replaced.
- 6) *Assure Proper Seal Direction.* The sealing lip usually faces toward the medium to be sealed.
- 7) *Prelube the Seal.* Prior to installation, the sealing lip should be prelubed with the lubricant to be sealed. It is not necessary for the O.D. of metal parts to be lubed, however, a light film of oil should be applied to the O.D. of rubber coated seals to aid in the installation process and reduce sheer stress during installation. This prelube should reduce or eliminate the possibility of a rubber O.D. seal from backing out of the bore immediately after installation.
- 8) *Installation Tools.* Select an installation tool (see Fig below). For easy, accurate installation of National's popular standard style oil and grease seals use the RD-2000 which can easily install seals up to 3.375" (85.7 mm) O.D. The best tool will have a diameter slightly smaller than that of the housing bore and will apply force only on the seal case. Bearing races may be used as an installation tool adapter when "approved tools are not available.
- 9) *Never Hammer Directly On the Seal.* Screwdrivers, drift pins or punches should not be used as installation tools. Steel hammers are not recommended for use with approved installation tools; the shock of steel on steel can dislodge the garter spring. After the seal has engaged the bore, the seal should be driven in evenly with only enough force to seat it in the bore.

Recommended Installation Tools



SECTION 1-D TECHNICAL

GENERAL INFORMATION

OIL SEAL DISTRESS ANALYSIS, TROUBLE SHOOTING CHECKLIST

The following chart is intended to assist in the evaluation of oil seal distress. It is not intended to be complete and should not be interpreted as inclusive of all distress causes. Questions or requests for additional information relative to oil seal distress should be directed to your Federal-Mogul Representative.

Symptom	Probable Cause of Leak	Symptom	Probable Cause of Leak
Sealing Lip Surface Hardened	Can be caused by excessive operating temperatures, by inadequate lubrication or by incompatibility with sealed fluid.	Seal Garter Spring Damaged	May be caused by careless handling or use of improper installation tools or methods. Excessive spreading of the sealing lip during installation can damage the spring.
Sealing Lip Brittle or Cracked	Operating temperatures of lubricant may exceed recommended limits for the type of sealing member material. Make sure seal is proper size. Too tight a fit on shaft will cause overheating. Check adequacy of lubricant for the type seal used.	Inner Parts of Seal Assembly Loose	Improper installation tools used. Check out-of-round limits of housing bore and make sure seal O.D. is not too large for bore. Either condition can cause seal distortion which, although not readily apparent, may be enough to loosen the inner parts of the seal and cause leakage.
Sealing Lip Shows Excessive Wear (around entire circumference)	Shaft finish may be too rough at point of lip contact. Seal not properly prelubricated before installation. Check adequacy of lubrication for the type seal used. Make sure seal is proper size. Too tight a fit on the shaft can cause overheating and rapid wear. Shaft run-out or shaft whip may exceed recommended limits. See that the seal seats close to the bearing and check for excessive looseness in bearing or splines.	Seal Cocked In Housing	Usually due to improper tools or installation methods. Make sure seal O.D. is not too large for bore. Check bore for burrs, scale or chips that prevent the seal from properly seating.
Sealing Lip Worn On One Side	Usually due to misalignment of shaft to bore. This causes rapid wear at one point on the sealing lip.	Excessive Shaft Wear	Check for presence of abrasive dirt and grit. Shaft may not have been properly cleaned before installation or exterior dirt and dust conditions may be too severe for the type of seal used. Shaft may be too soft. Shaft hardness limits are dictated by the severity of exterior dirt conditions, the amount of lubrication and surface speeds. Make sure seal is proper size. Too tight a fit on the shaft will cause excessive wear on both lip and shaft. Check for insufficient lubrication at the seal.
Sealing Lip Contact On Shaft Too Light	Make sure seal is proper size. Check shaft for excessive wear at point of contact. Shaft may be too soft . . . check minimum hardness specifications for the existing operating conditions. Check the installation tools used. Mounting cones and sleeves must not have O.D. of more than 1/32" greater than the shaft . . . or the sealing lip may be overstretched.	Shaft Scratched or Gouged	Proper installation procedure call for careful inspection and preparation of the shaft prior to installation of the seal. Shaft must be thoroughly cleaned before installing the seal. Paint, shellac or cement on the surface where the lip contacts the shaft prevents proper sealing.
Sealing Lip Nicked or Scratched	Careless storage, handling or use of improper assembly tools. Failure to clean and prepare shaft. Failure to protect sealing member when installing over splines, keyways, etc.	Spiral Machine Grooves on Shaft	Shafts should be polished at point of sealing lip contact or reground so spiral marks direct the fluid inward rather than outward under the sealing lip.
Sealing Lip "Blown-Out" (direction of lip contact reversed)	Look for excessive pressure build-up or plugged-up vents. Vents should be masked during painting to prevent clogging. Make sure the lubricant level is correct. Heating of the lubricant causes expansion and the pressure can blow out the seal.	Leakage Around the O.D. of the Seal	Check housing bore for out-of-roundness. If eccentricity is only slight (.001"), the use of special cement on the O.D. surface of seal may offset the condition. Check O.D. surface of seal for evidence of damage due to careless handling or improper installation. Seal may be cocked in housing. Check interior of bore for excessive roughness, dirt, scratches or burrs.
Sealing Lip Surface Softened	Spongy lip is result of incompatibility between fluid and sealing element.	Excessive Prelubrication	This is not actually leakage, although it may look like it. When too much prelubricant is used, the excess melts and runs out. Check this possibility before removing a seal that has the appearance of leaking.
Seal Case Distorted	O.D. of seal may be too large for housing bore. Bore diameter should not vary from that recommended for the size of the seal. Housing bore may be excessively out-of-round. If bore diameter and out-of-round limits are correct . . . look for evidence of careless handling or use of improper installation tools.		

GENERAL INFORMATION

REDI-SLEEVES INSTALLATION AND REMOVAL

Redi-Sleeves Installation

Each Redi-Sleeve comes with its own installation tool and removable installation flange. The installation tool reduces the possibility of sleeve distortion and provides for sleeve installation without removal of the shaft from the serviced equipment.

- 1) Minimum shaft surface preparation is required. Clean the old seal surface thoroughly and file down burrs and rough areas.
- 2) Determine sleeve position necessary to cover the seal wear tracks. Measure to a convenient point or mark directly on the shaft.
- 3) Redi-Sleeves may be installed to any depth. The column labelled "Installation Depth" in the *Redi-Sleeve Size Listing* indicates the maximum distance from the end of the shaft the sleeve can be installed using the supplied installation tool. Check whether the supplied tool will reach this position. If not, a tool can be fabricated using tubing or pipe to make deeper installations. If this is required, make sure the ends are cut square and are deburred.
- 4) Fill any deep scores or gouges on the shaft with a thread repair compound. Make sure to install the sleeve prior to the filler hardening.
- 5) Drop the Redi-Sleeve into the installation tool so that only the flange projects. Note that the flanged end of the sleeve goes on the shaft first.
- 6) Gently pound the center of the installation tool with a wood block or large soft face mallet until the sleeve reaches the previously measured point on the shaft. The wood block or large soft face mallet reduces the possibility of distorting the installation tool.
- 7) If clearance is required after installation, the Redi-Sleeve flange can be removed. Prior to installation, use side-cutters to cut through the flange to the pre-cut line. After the sleeve is installed, pry flange away from the seal surface. The flange will peel away along the pre-cut line.

Redi-Sleeve Removal

Suggested methods of sleeve removal:

- 1) Application of heat will cause the sleeve to expand and permit removal.
- 2) Wire cutters may be used to "tear" the sleeve from the shaft using a twisting motion.
- 3) With the flange removed, tapping the sleeve with a hammer may cause stretching on the sleeve and allow for removal.

GENERAL INFORMATION

NATIONAL WEAR SLEEVES DESCRIPTION, INSTALLATION & REMOVAL

National Wear Sleeves

National wear sleeves are precision components that press fit onto a shaft, actually becoming part of the shaft. The outside diameter is ground to provide a surface finish of 10-25 microinches Ra (.25-.64 Micrometers Ra). A radius of the I.D. of the sleeve facilitates installation on to the shaft. National wear sleeves are designed to be installed at ambient temperatures, heating of the wear sleeve is not required for proper installation. The opposite end of the wear sleeve is also radiused on the O.D. to minimize the potential for damaging the seal during assembly.

Wear sleeves offer cost reduction opportunities to original equipment manufacturers who must now machine large or complex shafts or spindles to tight dimensional and finish tolerances in order to provide an adequate running surface for the seals. While transporting or moving the shaft from place to place, extreme care must be taken to prevent damage to a finished shaft. When wear sleeves are used, scratching or scoring of the shaft is eliminated since the seal will run on the precision-finished sleeve, installed when the seal and/or hub is installed.

Installation

- 1) Remove all dirt and oil from the sealing surface.
- 2) Coat shaft surface with a liquid sealant or gasket cement.
- 3) Press wear sleeve into position with an installation tool or use a flat plate against the sleeve. Do not hammer on the thin edge of the sleeve or the wear sleeve may become warped or out of round.
- 4) Remove excess sealant from the wear sleeve edges. No sealant should be left on the finished sleeve surface or seal leakage may result.

Removal

Suggested methods of wear sleeve removal:

- 1) Application of heat will cause the sleeve to expand and permit removal.
- 2) Tapping the sleeve with a hammer may cause stretching of the sleeve and allow for removal.
- 3) Careful use of a rounded, blunt chisel may remove the sleeve.
Caution. It is not necessary to cut the sleeve completely prior to removal.

Shaft Tolerances For National Wear Sleeves

Up to 3.000" $\pm .001$ "
3.001" to 6.000" $\pm .0015$ "

Shaft Finish

Prime shaft finishes of 125 RMS or better may require very little cement under the sleeve. With shaft finishes of over 125 RMS, complete inside penetration of the cement is recommended.

Prefix Explanation

J = Ground 10-25 RMS
JV = Unground phosphate coated

GENERAL INFORMATION

V-SEALS DESCRIPTION, MATERIAL, STYLES & DIMENSIONAL REFERENCE

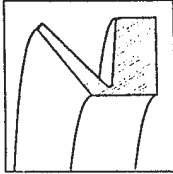
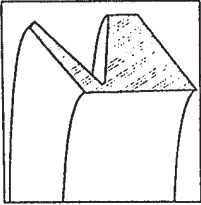
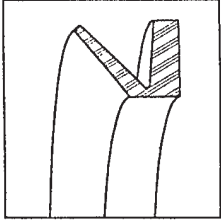
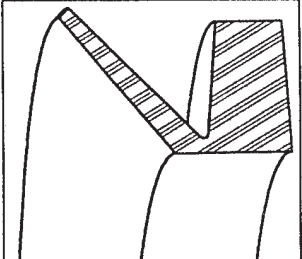
Description

The V-Seal is a simple and versatile elastomeric "face" type seal produced in Nitrile or Viton. It can be the primary sealing element in an application or it can be a contaminant excluder or back-up seal. The seal mounts on, and typically rotates with the shaft while the lip lightly contacts the counterface. The elasticity of the V-Seal design eases installation, permits a broader range of shaft sizes and allows use on eccentric and misaligned shafts.

Material Data

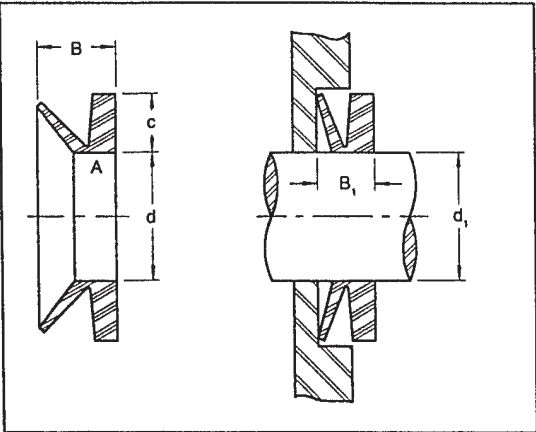
	<u>Nitrile</u>	<u>Fluoroelastomer</u>
Temp. Range:	-40° to 225°F	-30° to 325°F
Max. Shaft Speed (FPM):	2,400	1,300
Color:	Black	Brown

Styles

- 
.
VRS1 The standard design of the industry covers a shaft range of 0.11" to 79.53" (3 mm to 2000 mm).
- 
.
VRS2 The original style V-Seal offers a slightly more robust body when needed. Shaft coverage is from 0.18" to 8.27" (5 mm to 199 mm).
- 
.
VRS3 With its narrow body style, this V-Seal works on shafts from 5.32" to 18.70" (140 mm to 450 mm).
- 
.
VRS4 This heavy-duty V-Seal with its special design covers a shaft range of 17.72" to 79.12" (450 mm to 2000 mm).

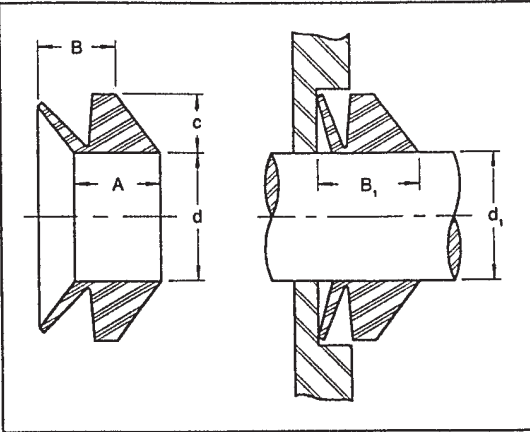
Dimensional Reference

VRS1, VRS3, and VRS4



Profile dimensions Assembly dimensions

VRS2



Profile dimensions Assembly dimensions

ABBREVIATIONS TO MANUFACTURERS

ABBREVIATION	MANUFACTURER NAME	ABBREVIATION	MANUFACTURER NAME	ABBREVIATION	MANUFACTURER NAME
ACDEL	A/C Delco	CLIMX	Climax	FLXIB	Flxible
AIRCO	Aircooled Motors	CLIN	Clinton Engines	FME	Federal-Mogul
AIWDI	AI/WDI	CLOYE	Cloyes Gear	FMW	Federal-Mogul
AJUSA	Ajusa	CLSON	Clarkson (National Mtr.)	FOOTE	Foote Brothers
ALFAR	Alfa Romeo	CLSTL	Cleveland Steel Product		Gear & Machine
ALLCH	Allis-Chalmers	CNTIR	Canadian Tire (Short Line)	FORSH	Forsheada
ALOY	Alloy Mfg.	COC	Cockshutt	FPDSL	FP Diesel
ALTFO	Alten Fndry & Mach	COLLS	Collins Radio Co.	FR-HT	French & Hecht
AM BO	American Bosch	CONCA	Continental Can Co.	FREIG	Freightliner
AM BR	American Brake Shoe	COND	Consolidated Diesel	FRKLN	Franklin Equipment
AM CA	American Can Co.	CONDC	Condec Co.	FRUEH	Fruehauf
AM CH	American Chain	CONE	Cone Drive Gears	FT-WA	Fort Wayne Truck Parts
AM HO	Amer Hoist & Derrick	CONSL	Consolidated Bearing	FULLE	Fuller
AM MA	American Marietta Co.	CONST	Const Machy Sales Co.	GA-WO	Garland Works
AM WH	American Wheelabrator	CONTI	Continental	GABR	Gabriel
AMGEN	AM General	COOK	Cook Brothers Equipment	GAL	Galion
AT IM	Atlas Imperial Diesel	COTTA	Cotta Transmission	GARCI	GARCIA
AT SU	Atlas Supply	CR-CF	Chris Craft	GARLK	Garlock
AT-PL	Athens Plow	CROSL	Crosley	GE	General Electric Corp.
AU-LI	Auto Lite	CRUSA	Crusader Marine	GEM	Gemmer
AU-WS	Austin-Western	CR-CT	Canadian Tool & Die	GERL	Gerlinger
AUPRO	Auto Pro (Short Line)	CUMMI	Cummins	GIB	Gibson
AUTDP	Auto Pro	CURTS	Curtis Machine	GILSN	Gilson Brothers
AUTOB	Autobianchi	CUSH	Cushman	GM	General Motors Corp.
AUTOZ	AutoZone	CYCLO	Cycloblower Co.	GN-TI	General Tire
AUTSP	Auto Specialties	DAEWO	Daewoo	GO-TI	Goodyear Tire
AVANT	Avanti	DAIHA	Daihatsu	GOODM	Goodman
B-L-H	Baldwin-Lima-Hamilton	DALMO	Dalmo Victor	GR-DV	Gardner Denver
BADGE	Badger Northland	DANMA	Danuser Machine Works	GR-RP	Gorman Rupp
BARRE	Barrentine Mfg.	DAVEY	Davey Compressor	GRAM	Graham
BARTL	Bartell	DCORP	Dyna Co.	GRAY	Gray Marine
BE-AR	Beck/Arnley	DEMPC	Dempster Pumps Co.	GREEN	Green Ball Bearing
BEHLN	Behlen Mfg. Co.	DENCO	Dennis Co.	GUARA	Guaranteed
BENDI	Bendix-Westinghouse	DET	Detroit	GW	Gar Wood Industries
BESTV	Best Valu (Victor Retail)	DETRL	Detroit Retail	H-S	Hall-Scott
BL-KN	Blaw Knox	DETRO	Detroit Diesel	HARN	Harnischfeger Corp.
BLUE	John Blue Co.	DEVIL	Devilbliss Co.	HARRI	Harris Mfg. Co.
BORGW	Borg-Warner	DEXTR	Dexter	HART	Hart Carter Co.
BOSTN	Boston Gear	DGASK	Detroit Gasket	HARWA	Harwall
BOWEN	Bowen Mc Laughlin	DIA	Diamond-T	HENRY	Henry Mfg.
BR-ST	Briggs & Stratton	DIESA	Diesel America	HERCU	Hercules
BR-WN	Braden Wnch	DIESG	Diesel Guard	HESST	Hesston
BRAD	David Bradley Mfg. Works	DISOG	Disogrin	HI-EQ	Highway Equipment
BRADF	Brad Foote Gear Works	DIVCO	Divco-Wayne	HK-SY	Hawker-Siddeley
BRCWY	Brockway	DODGE	Dodge Mfg.	HOLLE	Holley
BRWNG	Browning Mfg.	DODM	Dodge Mfg.	HR-DV	Harley-Davidson
BTM	Bantam	DOMGA	Dominion Gasket	HU-WR	Huber-Warco
BU-SP	Buff Springfld Roll	DOMIN	Dominion Road Machinery	HUB-C	Hub City Iron
BUC-E	Bucyrus-Erie	DRESS	Dresser Industry	HUGKE	Hughes-Keenan
BULLD	Bulldog	DYNLS	Dynamic Seal	HUME	Hume Hd Co.
BUSHH	Bush Hog	EARTH	Earthmaster	HWY	Hi-way Trailers
BUTBN	Butler Bin	EBERH	Eberhardt Denver	HYST	Hyster
C-P	Chicago Pneumatic	EDEL	Edelman	HYUND	Hyundai
C-R	Chicago Rawhide	EGDYN	Engine Dynamics	IDEAL	Ideal Division
C-W	Curtiss-Wright	EL-MO	Electric Motors	IG-RA	Ingersoll Rand
CALI	California Pellet	EL-PA	Elwell-Parker	IH	International
CALSO	E L Caldwell & Sons	EL-WH	Electric Wheel	INTDE	International Derrick
CANAD	Canadian Car & Foundry	EMRSN	Emerson Electric	IPS	International Parts
CARDX	Cardox Co.	EMSCO	Emsco Corp.		System
CARQU	Carquest	ESSIC	Essick Mfg. Co.	IRON	Iron Fireman Mfg. Co.
CARTR	Carter Carburetor Division	EUCLD	Euclid	ISP	International Seal &
CARVR	Carver Pump Co.	EUROS	Eurospares		Packing
CATER	Caterpillar	EVERS	Eversman Mfg. Co.	JA-HE	Jack And Heintz Inc.
CEMAC	Cemac Vacuum	F-R-H	Fate-Route-Heath	JA-MI	Jaeger Mixer
CH MA	Charles Machine Works	FAFNI	Fafnir Bearing	JAC	Jacobsen
CHALL	Challenge Cook	FAIRB	Fairbanks-Morse	JAЕ	Jaeger
CHAMP	Champion Carrier	FAIRM	Fairmont Railway Motors	JAGUA	Jaguar
CHECK	Checker	FALKC	Falk Corp.	JEFF	Jeffrey
CHEL	Chelsea	FAWIC	Fawick Airflex Co.	JN-CR	John Crane
CHERY	Cherry Burrell Co.	FED	Federal	JN-MN	Johns-Manville
CHRYС	Chrysler	FEDMG	Federal-Mogul	JNSON	Johnson Mfg. Co.
CINMI	Cinn Milling Mach	FELPC	Fel-Pro	JOHND	John Deere
CL-HU	Clark Hurth (N. Carolina)	FI-AL	Fiat Allis	KELSE	Kelsey-Hayes
CLAYE	Clay Equipment	FI-CO	Filper Co.	KEN	Kenworth
CLAYN	Clayton Mfg. Co.	FIRES	Firestone	KERSH	Kershaw
CLEVI	Clevite Engine Parts	FITZ	Fitzgerald	KEWNE	Kewanee Machine

ABBREVIATIONS TO MANUFACTURERS

ABBREVIATION	MANUFACTURER NAME
KINGN	Kingston Products Corp.
KINNR	Kinner Motors
KNICK	Knicker Bocker Co.
KOEHL	Koehring
KOHL	Kohler
KOMAT	Komatsu
KRSE	Krause Plow
KY-CL	Korody Colyer
L&N	Leeds & Northrup
L&S	L & S Bearing
LABEQ	Laboratory Equipment Co.
LAMBO	Lamborghini
LANCA	Lancia
LAU	Lauson
LAVIN	Lavine Gear Co.
LAVOI	Lavoie Laboratories
LAWN	Lawn Boy
LAZOR	Lazorlite
LEECE	Leece Neville Co.
LEMCO	Lempco
LETN	Le Tourneau-Westinghouse
LEYLD	British Leyland
LF-PT	Lift Parts Mfg. Inc.
LIGET	Liggett Spring Axle
LILIS	Lilliston
LIMA	Lima Electric Mtrs.
LISLE	Lisle Tool, Clarinda, Ia
LK-BT	Link Belt
LOKWD	Lockwood Div.
LUF	Lufkin Industries
MA-PR	Marine Products
MAGNA	Magna American
MANT	Manitowoc
MARI	Marion Shovel
MARMO	Marmon
MASSE	Massey-Ferguson
MASTE	Master Electric Co.
MATHR	Mather
MAXIF	Maxiforce
MC-CL	Mc Culloch
MC-NO	McQuay-Norris
MCBED	McBee Distributors
MCCOR	Mc Cord
MCCRL	McCord Retail
MCKIN	McKinnon Ind.
MECH	Mechanex
MERCE	Mercedes-Benz
MERCM	Mercury Marine
MESC	Mesaco
MICH	Michigan (see Clark)
MID	Midland Co.
MID-R	Midland Ross
MIHLE	Miehle
MINMA	Minister Machine Co.
MINNM	Minneapolis-Moline
MIRCO	Mirco Sleeve
MISSI	Mission Mfg. Co.
MITSU	Mitsubishi
MIX	Mixing Equipment
MIXMO	Mixermobile Mfg. Co.
MO-CH	Morse Chain
MOHWK	Mohawk Mfg.
MOTO	Moto Power
MRGAS	Mr Gasket
MTR-C	Motor Coach Ind.
MURPH	Murphy Diesel
MURRA	Murray Corporation
MUSKE	Muskegon
MWKEL	M W Kellogg Co.
MYERS	Myers Sherman
NAK	Nakata S.A. Industrial
NATAU	National Automatic Tool Co.
NATEN	National Engineering Co.
NATL	National Seal Number

ABBREVIATION	MANUFACTURER NAME
NATSU	National Supply Co.
NAVST	Navistar
NDEP	New Departure
NEHO	New Holland
NEWPR	New Process
NEWVR	New Venture Gear
NISSA	Nissan
NORDG	Nordberg Mfg. Co.
NOVI	Novi Equipment
NPG	New Process
NRWST	Northwest Engineering
O-M	Outboard Marine
OILGR	Oil Gear Co.
OLIVE	Oliver
OSHKO	Oshkosh
OTISE	Otis Elevator
OWS	Oil Well Supply
P-C	Perfect Circle
PAARS	Paars Automotive
PACIF	Pacific Car & Foundry
PARGN	Paragon Gear
PARK	Parkersburg
PAYEN	Payen Seals
PEERC	Peerless Production Co.
PERFC	Perfection American
PERKI	Perkins
PERSN	Pearson Ben
PETTI	Pettibone-Mulliken
PEUGE	Peugeot
PI-BA	Pioneer Barnes
PORSC	Porsche
PORTR	Portable Rig Co.
PREC	Precision
PREST	Prestolite
PTDEP	Parts Depot (Short Line)
PUL	Pullman Co.
PYUNG	Pyung Hwa Industrial
QAP	Quality Auto Parts
RACIN	Racine Tool & Machine Co.
READY	Ready Power Co.
REINZ	Reinz-Dichtungs-GMBH
RELEE	Reliance Electric & Engineering
RELIA	Reliance Industries
RENAU	Renault
REPub	Republic Gear
REULD	Reuland Electric
REX	Rex Chain Belt Co.
RFT	RFT (SKF/CR)
ROCK	Rockhill
ROCKE	Rocket
ROCKW	Rockwell
ROL	Rol Mfg.
ROLRL	Rol Retail
ROOTE	Rootes
ROSS	Ross Gear
ROTO	Rototiller
SABO	Sabo Oil Seals Of Brazil
SCHWI	Schwitzer Co.
SCOT	Scott Atwater
SEALD	Sealed Power
SEALR	Sealright Co.
SEAMA	Seaman Motors
SELAS	Selastomer
SHEP	Sheppard
SHOV	Shovel Supply
SIDEW	Sidewinder
SIMPL	Simplicity Tractor
SIMRT	Simrit
SKIL	Skilaw
SNFLW	Sunflower Implements
SOLAR	Solar Division
SPECI	Specialty Products
SPERY	Sperry Rand
SPG	Sealing Products Group
SPICE	Spicer

ABBREVIATION	MANUFACTURER NAME
STAND	Standard
STAR	Starline
STDFG	Standard Forge
STDRL	Standard Retail
STEEL	Steel Products Eng. Co.
STEM	Stemco
STERL	Sterling
STN-S	Standard Steel
STUDE	Studebaker
SUBAR	Subaru
SUL	Sullivan
SUPER	Superior Diesel
SUZUK	Suzuki
TALBO	Talbot
TAYLR	Taylor Machine Works
TEKNI	Tekni Craft
TEREL	Terrell Machine Co.
TERX	Terex
TEXAS	Texas Iron Works
THEW	Thew Shovel
THIOK	Thiokol Chemical
TIMKE	Timken
TLSMI	T. L. Smith Co.
TMTR	Towmotor
TOWNR	Towner Mfg.
TOYOT	Toyota
TRAC	Tractomotive
TRACN	Trackson Co.
TRACS	Trackless Tank Co.
TRANG	Transmission And Gear
TRANS	Transtec
TREME	Tremec
TRISL	Triseal
TRMBL	Trailmobile
TROS	Trostel
TRSCM	Transcom Oil Seals
TRU-P	Tru Part Mfg.
TRUK	Truckstell
TW-CO	Twin Coach
TW-DI	Twin Disc
ULRIC	Ulrich Products Co.
UNIT	Unit Crane & Shovel
UNIVE	Universal
US-EL	U.S. Electrical Motors
VAUXH	Vauxhall
VERSA	Versatile
VIC	Victor
VICK	Vickers
VICRL	Victor Retail
VILA	Villafane Auto Supply, Inc.
VOLWH	Volvo White
W-PTS	World Parts
WAGMA	Wagner Tool & Machine Co.
WAGNR	Wagner Tractor
WALKE	Walker Vehicle Co.
WARNE	Warner
WARNR	Warner Gear
WAUKE	Waukesha
WAYNE	Wayne Mfg. Co.
WESTO	Western Auto
WESTR	Westrac Co.
WGEAR	Western Gear Co.
WHELA	Wheland Co.
WILSO	Wilson Mfg. Co.
WILYS	Willys
WIP-L	Whip-I Crank Seals
WISCO	Wisconsin
WOODB	Wood Bros
WOOL	Wooldridge
WORLD	World Gasket
Y-T	Yale & Towne
YARD	Yardman

OIL SEAL DESIGN TYPES



TECHNICAL SECTION

OIL SEAL DESIGN TYPES



Hsg. Bore	Seal O.D.	Seal Width	Lip Mat'l	Part No.	Type/Illus.	Hsg. Bore	Seal O.D.	Seal Width	Lip Mat'l	Part No.	Type/Illus.
.156" (5/32") SHAFT						.250" (1/4") SHAFT					
.500	.504	.187	S	340872	34	.499	.505	.187	S	343104	34
4,50mm (.177") SHAFT						6,50mm (.256") SHAFT					
15,80	16,00	5,00	S	*4.5X16X5★	32	.750	.758	.250	S	350435	35
.622	.630	.197				.750	.760	.175	S	240435	24
15,80	16,00	7,00	S	*4.5X16X7★	32	6,80mm (.268") SHAFT					
.622	.630	.276				14,30	14,50	7,00	S	*6.5X14.5X7★	32
16,80	17,00	7,00	S	*4.5X17X7★	32	.563	.571	.276			
.661	.669	.276				7,00mm (.276") SHAFT					
4,80mm (.189") SHAFT						21,80	22,00	7,00	S	*6.8X22X7★	32
14,80	15,00	5,00	S	*4.8X15X5★	32	.858	.866	.276			
.583	.591	.197				6,00mm (.236") SHAFT					
5,00mm (.197") SHAFT						16,00	16,20	7,00	V	*7X16X7V★	35
14,80	15,00	6,00	S	*5X15X6★	32	.630	.638	.276			
.583	.591	.236				16,00	16,28	7,00	S	7X16X7★	32
15,80	16,00	6,00	S	*5X16X6★	32	.630	.641	.276			
.622	.630	.236				16,80	17,00	7,00	S	*7X17X7★	32
16,00	16,20	5,00	S	*5X16X5★	32	.661	.669	.276			
.630	.638	.197				17,80	18,00	7,00	S	*7X18X7★	32
16,80	17,00	7,00	S	*5X17X7★	32	.701	.709	.276			
.661	.669	.276				18,80	19,00	7,00	S	*7X19X7★	32
17,80	18,00	6,00	S	*5X18X6★	32	.740	.748	.276			
.701	.709	.236				21,80	22,00	6,00	S	*7X22X6★	32
17,80	18,00	7,00	S	*5X18X7★	32	.858	.866	.236			
.701	.709	.276				21,80	22,00	8,00	S	*7X22X8★	32
17,80	18,00	10,00	S	*5X18X10★	32	.858	.866	.315			
.701	.709	.394				22,00	22,28	7,00	S	7X22X7★	35
18,80	19,00	7,00	S	*5X19X7★	32	.866	.877	.276			
.740	.748	.276				30,80	31,00	7,00	S	*7X31X7★	32
21,80	22,00	7,00	S	*5X22X7★	32	1.212	1.220	.276			
.858	.866	.276				.312" (5/16") SHAFT					
5,50mm (.217") SHAFT						.500	.506	.125	S	340826	34
17,80	18,00	8,00	S	*5.5X18X8★	32	.625	.635	.175	S	240698	24
.701	.709	.315				.686	.690	.313	S	712022	#
21,80	22,00	8,00	S	*5.5X22X8★	32	.749	.753	.250	S	712021	#
.858	.866	.315				.750	.756	.250	S	350364	35
6,00mm (.236") SHAFT						.999	1.003	.375	S	470195	47
16,00	16,20	5,00	S	6X16X5★	35	1.250	1.254	.375	L	50445	5L
.630	.638	.197				8,00mm (.315") SHAFT					
16,00	16,20	7,00	V	*6X16X7V★	35	13,80	14,00	7,00	S	*8X14X7★	32
.630	.638	.276				.543	.551	.276			
16,00	16,28	7,00	S	6X16X7★	35	14,00	14,20	4,00	S	8X14X4★	35
.630	.641	.276				.551	.559	.157			
16,80	17,00	7,00	S	*6X17X7★	32	14,00	14,20	5,00	S	*8X14X5★	32
.661	.669	.276				.551	.559	.197			
17,80	18,00	6,00	S	*6X18X6★	32	14,80	15,00	5,00	S	*8X15X5★	32
.701	.709	.236				.583	.591	.197			
17,80	18,00	7,00	S	*6X18X7★	32	15,80	16,00	5,00	S	*8X16X5★	32
.701	.709	.276				.622	.630	.197			
18,80	19,00	7,00	S	*6X19X7★	32	15,80	16,00	6,00	S	*8X16X6★	32
.740	.748	.276				.622	.630	.236			
19,80	20,00	5,50	S	*6X20X5.5★	32	16,00	16,20	7,00	S	220860★	35
.779	.787	.217				.630	.638	.276			
20,80	21,00	7,00	S	*6X21X7★	32	16,00	16,23	7,00	S	8X16X7★	35
.819	.827	.276				.630	.639	.276			
22,00	22,28	7,00	S	6X22X7★	35	16,80	17,00	7,00	S	*8X17X7★	32
.866	.877	.276				.661	.669	.276			
25,80	26,00	7,00	S	*6X26X7★	32	17,80	18,00	6,00	S	*8X18X6★	32
1,016	1,024	.276				.701	.709	.236			
34,80	35,00	7,00	S	*6X35X7★	32	17,80	18,00	8,00	S	*8X18X8★	32
1.370	1.378	.276				.701	.709	.315			
						18,00	18,20	5,00	S	8X18X5★	35
						.709	.717	.197			
						18,00	18,20	7,00	S	8X18X7★	32
						.709	.717	.276			

SIZE SECTION

For Illustration and Material Data See Technical Section
 # Designed For A Specific Application - Not Recommended For General Use * Call 1-800-480-1212 For Price and Delivery ★ Metric Seal

Size Section

NATIONAL®



Hsg. Bore	Seal O.D.	Seal Width	Lip Mat'l	Part No.	Type/Illus.
8,00mm (.315") SHAFT (cont.)					
18,00	18,20	7,00	S	220818★	32
.709	.717	.276			
18,80	19,00	7,00	S	*8X19X7★	32
.740	.748	.276			
19,80	20,00	7,00	S	*8X20X7★	32
.779	.787	.276			
21,80	22,00	6,00	S	*8X22X6★	32
.858	.866	.236			
22,00	22,20	7,00	V	*8X22X7V★	32
.866	.874	.276			
22,00	22,28	7,00	S	8X22X7★	32
.866	.877	.276			
22,80	23,00	5,00	S	*8X23X5★	32
.898	.906	.197			
24,00	24,28	7,00	S	8X24X7★	35
.945	.956	.276			
24,80	25,00	7,00	S	*8X25X7★	32
.976	.984	.276			
24,80	25,00	8,00	S	*8X25X8★	32
.976	.984	.315			
24,80	25,00	9,00	S	*8X25X9★	32
.976	.984	.354			
25,80	26,00	7,00	S	*8X26X7★	32
1,016	1,024	.276			
29,80	30,00	6,00	S	*8X30X6★	32
1,173	1,181	.236			
29,80	30,00	7,00	S	*8X30X7★	32
1,173	1,181	.276			
33,80	34,00	8,00	S	*8X34X8★	32
1,331	1,339	.315			

.344" (11/32") SHAFT					
.999	1,003	.375	S	*53809S	5S

8,85mm (.348") SHAFT					
16,80	17,00	5,00	S	*8.85X17X5★	32
.661	.669	.197			
19,80	20,00	5,00	S	*8.85X20X5★	32
.779	.787	.197			

9,00mm (.354") SHAFT					
15,80	16,00	5,50	S	*9X16X5.5★	32
.622	.630	.217			
18,00	18,20	7,00	S	9X18X7★	35
.709	.717	.276			
18,00	18,20	7,00	S	220918★	35
.709	.717	.276			
18,80	19,00	5,00	S	*9X19X5★	32
.740	.748	.197			
18,80	19,00	7,00	S	*9X19X7★	32
.740	.748	.276			
19,80	20,00	7,00	S	*9X20X7★	32
.779	.787	.276			
22,00	22,20	7,00	S	9X22X7★	35
.866	.874	.276			
22,00	22,20	7,00	V	*9X22X7V★	35
.866	.874	.276			
24,00	24,28	7,00	S	9X24X7★	35
.945	.956	.276			
24,80	25,00	7,00	S	*9X25X7★	32
.976	.984	.276			
26,00	26,28	7,00	S	9X26X7★	35
1,024	1,035	.276			
28,80	29,00	7,00	S	*9X29X7★	32
1,134	1,142	.276			
29,80	30,00	7,00	S	*9X30X7★	32
1,173	1,181	.276			

Hsg. Bore	Seal O.D.	Seal Width	Lip Mat'l	Part No.	Type/Illus.
.375" (3/8") SHAFT					
.562	.568	.125	S	340827	34
.687	.691	.156	S	311189	31
.687	.691	.156	N	*311189N	31
.750	.754	.250	S	*40385S	4S
.750	.754	.250	H	*50385	5S
.750	.754	.250	S	50385S	5S
.750	.754	.250	S	*310385	31
.750	.754	.250	S	330385	33
.750	.756	.250	S	340385	34
.750	.756	.250	S	*350385	35
.750	.760	.175	S	240385	24
.750	.760	.175	N	*240385N	24
.836	.841	.187	S	444258	44
.836	.841	.187	N	474279N	47
.874	.883	.312	S	350156	35
.875	.880	.250	S	473096	47
.999	1,003	.375	H	*50197	5S
.999	1,003	.375	S	50197S	5S
.999	1,004	.250	S	471103	47
1,250	1,254	.375	L	*50010	5L

.390" SHAFT					
.750	.756	.250	S	*342047	34

10,00mm (.394") SHAFT					
15,80	16,00	4,00	S	*10X16X4★	32
.622	.630	.157			
15,80	16,00	4,50	S	*10X16X4.5★	32
.622	.630	.177			
16,80	17,00	5,00	S	*10X17X5★	32
.661	.669	.197			
16,80	17,00	7,00	S	*10X17X7★	32
.661	.669	.276			
17,80	18,00	4,00	S	*10X18X4★	32
.701	.709	.157			
17,80	18,00	5,00	S	*10X18X5★	32
.701	.709	.197			
17,80	18,00	6,00	S	*10X18X6★	32
.701	.709	.236			
17,80	18,00	7,00	S	*10X18X7★	32
.701	.709	.276			
19,00	19,20	7,00	S	10X19X7★	32
.748	.756	.276			
19,00	19,20	7,00	S	221040★	35
.748	.756	.276			
19,80	20,00	5,00	S	*10X20X5★	32
.779	.787	.197			
19,80	20,00	6,00	S	*10X20X6★	32
.779	.787	.236			
19,80	20,00	7,00	S	*10X20X7★	32
.779	.787	.276			
20,80	21,00	4,00	S	*10X21X4★	32
.819	.827	.157			
20,80	21,00	6,00	S	*10X21X6★	32
.819	.827	.236			
20,80	21,00	7,00	S	*10X21X7★	32
.819	.827	.276			
21,80	22,00	5,00	S	*10X22X5★	32
.858	.866	.197			
21,80	22,00	6,00	S	*10X22X6★	32
.858	.866	.236			
22,00	22,20	7,00	V	*10X22X7V★	35
.866	.874	.276			
22,00	22,28	7,00	S	10X22X7★	32
.866	.877	.276			
22,80	23,00	7,00	S	*10X23X7★	32
.898	.906	.276			
22,80	23,00	8,00	S	*10X23X8★	32
.898	.906	.315			

For Illustration and Material Data See Technical Section
 * Call 1-800-480-1212 For Price and Delivery ★ Metric Seal

Hsg. Bore	Seal O.D.	Seal Width	Lip Mat'l	Part No.	Type/Illus.	Hsg. Bore	Seal O.D.	Seal Width	Lip Mat'l	Part No.	Type/Illus.
10,00mm (.394") SHAFT (cont.)						.437" (7/16") SHAFT (cont.)					
23.30	23.50	10.00	S	*10X23.5X10★	32	.999	1.003	.375	S	470199	47
.917	.925	.394				.999	1.003	.375	N	*470199N	47
23.80	24.00	6.00	S	*10X24X6★	32	.999	1.003	.375	V	*470199V	47
.937	.945	.236				.999	1.007	.250	S	6863S	35
24.00	24.23	7.00	S	10X24X7★	35	1.124	1.128	.250	S	474277	47
.945	.954	.276				1.124	1.128	.406	S	453059	45
24.80	25.00	5.00	S	*10X25X5★	32	11,60mm (.457") SHAFT					
.976	.984	.197				18.80	19.00	6.00	S	*11.6X19X6★	32
24.80	25.00	10.00	S	*10X25X10★	32	.740	.748	.236			
.976	.984	.394				23.80	24.00	10.00	S	*11.6X24X10★	32
25.00	25.28	7.00	S	10X25X7★	32	.937	.945	.394			
.984	.995	.276				.468" (15/32") SHAFT					
25.80	26.00	8.00	S	*10X26X8★	32	-	-	-	S	800120	VRS1
1.016	1.024	.315				1.124	1.126	.375	S	470004	47
26.00	26.23	7.00	S	10X26X7★	32	1.124	1.128	.375	L	*50004	5L
1.024	1.033	.276				12,00mm (.472") SHAFT					
27.80	28.00	7.00	S	*10X28X7★	32	-	-	-	S	800120	VRS1
1.094	1.102	.276				-	-	.236		99049	Redi-Sleeve
27.80	28.00	8.00	S	*10X28X8★	32	17.80	18.00	5.00	S	*12X18X5★	32
1.094	1.102	.315				.701	.709	.197			
29.80	30.00	7.00	S	*10X30X7★	32	18.80	19.00	7.00	S	*12X19X7★	32
1.173	1.181	.276				.740	.748	.276			
29.80	30.00	10.00	S	*10X30X10★	32	19.00	19.20	5.00	S	12X19X5★	32
1.173	1.181	.394				.748	.756	.197			
.402" SHAFT						19.80	20.00	4.00	S	*12X20X4★	32
.999	1.005	.180	V	*8891	24	.779	.787	.157			
.408" SHAFT						19.80	20.00	6.00	S	*12X20X6★	32
1.004	.102	.208	N	4701	49	.779	.787	.236			
1.004	1.008	.208	N	4701N	49	19.80	20.00	7.00	S	*12X20X7★	32
11,00mm (.433") SHAFT						.779	.787	.276			
17.00	17.25	4.00	S	11X17X4★	32	19.80	20.00	5.00	S	12X20X5★	32
.669	.679	.157				.787	.798	.197			
20.80	21.00	7.00	S	*11X21X7★	32	20.80	21.00	4.00	S	*12X21X4★	32
.819	.827	.276				.819	.827	.157			
20.80	21.00	8.00	S	*11X21X8★	32	20.80	21.00	7.00	S	*12X21X7★	32
.819	.827	.315				.819	.827	.276			
22.00	22.23	7.00	S	221122★	35	21.80	22.00	5.00	S	*12X22X5★	32
.866	.875	.276				.858	.866	.197			
22.00	22.28	7.00	S	11X22X7★	32	21.80	22.00	6.50	S	*12X22X6.5★	32
.866	.877	.276				.858	.866	.256			
22.80	23.00	7.00	S	*11X23X7★	32	21.80	22.00	8.00	S	*12X22X8★	32
.898	.906	.276				.858	.866	.315			
23.30	23.50	7.00	S	*11X23.5X7★	32	21.80	22.00	9.00	S	*12X22X9★	32
.917	.925	.276				.858	.866	.354			
24.80	25.00	7.00	S	*11X25X7★	32	22.00	22.20	7.00	V	*12X22X7V★	35
.976	.984	.276				.866	.874	.276			
26.00	26.28	7.00	S	11X26X7★	35	22.00	22.25	7.00	S	12X22X7★	35
1.024	1.035	.276				.866	.876	.276			
27.80	28.00	7.00	S	*11X28X7★	32	22.00	22.25	7.00	S	221207★	35
1.094	1.102	.276				.866	.876	.276			
28.80	29.00	7.00	S	*11X29X7★	32	22.00	22.25	7.00	V	221208★	35
1.134	1.142	.276				.866	.876	.276			
29.80	30.00	10.00	S	*11X30X10★	32	22.80	23.00	7.00	S	*12X23X7★	32
1.173	1.181	.394				.898	.906	.276			
30.00	30.20	7.00	S	11X30X7★	32	23.30	23.50	7.00	S	*12X23.5X7★	32
1.181	1.189	.276				.917	.925	.276			
.437" (7/16") SHAFT						23.80	24.00	8.00	S	*12X24X8★	32
.624	.633	.125	S	343101	34	.937	.945	.315			
.875	.879	.312	H	*50470	5S	24.00	24.23	7.00	S	12X24X7★	32
.875	.879	.312	S	50470S	5S	.945	.954	.276			
.875	.880	.250	S	472810	47	24.80	25.00	8.00	S	*12X25X8★	32
.875	.880	.250	S	*482810	48	.976	.984	.315			
.875	.885	.175	S	240470	24	24.80	25.00	10.00	S	*12X25X10★	32
.999	1.003	.375	H	*50199H	5S	.976	.984	.394			
.999	1.003	.375	S	*50199S	5S	25.00	25.20	4.50	S	12X25X4.5★	32
						.984	.992	.177			

SIZE SECTION

For Illustration and Material Data See Technical Section
 * Call 1-800-480-1212 For Price and Delivery * Metric Seal

Size Section

NATIONAL®

Hsg. Bore	Seal O.D.	Seal Width	Lip Mat'l	Part No.	Type/Illus.
12,00mm (.472") SHAFT (cont.)					
25.00	25.20	4.50	S	12X25X4.5★	32
.984	.992	.177			
25.00	25.25	7.00	S	12X25X7★	32
.984	.994	.276			
25.30	25.50	7.00	S	*12X25.5X7★	32
.996	1.004	.276			
1.000	1.006	.375	S	320457	32
25.80	26.00	8.00	S	*12X26X8★	32
1.016	1.024	.315			
26.00	26.20	7.00	S	12X26X7★	32
1.024	1.031	.276			
26.80	27.00	9.00	S	*12X27X9★	32
1.055	1.063	.354			
27.00	27.20	7.00	S	*12X27X7★	32
1.063	1.071	.276			
27.80	28.00	8.00	S	*12X28X8★	32
1.094	1.102	.315			
28.00	28.20	7.00	S	12X28X7★	35
1.102	1.110	.276			
28.00	28.20	7.00	V	*12X28X7V★	35
1.102	1.110	.276			
28.30	28.50	7.00	S	*12X28.5X7★	32
1.114	1.122	.276			
29.80	30.00	5.00	S	*12X30X5★	32
1.173	1.181	.197			
29.80	30.00	9.00	S	*12X30X9★	32
1.173	1.181	.354			
29.80	30.00	10.00	S	*12X30X10★	32
1.173	1.181	.394			
30.00	30.20	7.00	S	12X30X7★	32
1.181	1.189	.276			
30.00	30.20	7.00	V	*12X30X7V★	35
1.181	1.189	.276			
31.80	32.00	5.00	S	*12X32X5★	32
1.252	1.260	.197			
31.80	32.00	10.00	S	*12X32X10★	32
1.252	1.260	.394			
32.00	32.20	7.00	S	12X32X7★	35
1.260	1.268	.276			
34.80	35.00	10.00	S	*12X35X10★	32
1.370	1.378	.394			
35.00	35.20	7.00	S	12X35X7★	32
1.378	1.386	.276			
36.80	37.00	7.00	S	*12X37X7★	32
1.449	1.457	.276			
.490" SHAFT					
-	-	-	S	800120	VRS1
-	-	-	S	800130	VRS1
-	-	-	V	800134	VRS1
.688	.696	.100	S	*9791	24
12,45mm (.490") SHAFT					
21.80	22.00	7.00	S	*12.45X22X7★	32
.858	.866	.276			
.490" SHAFT					
.875	.883	.250	S	340771	34
1.122	1.132	.265	S	351028	35
12,50mm (.492") SHAFT					
21.80	22.00	6.00	S	*12.5X22X6★	32
.858	.866	.236			
23.30	23.50	8.00	S	*12.5X23.5X8★	32
.917	.925	.315			
23.30	23.50	10.00	S	*12.5X23.5X10★	32
.917	.925	.394			
24.80	25.00	8.00	S	*12.5X25X8★	32
.976	.984	.315			

Hsg. Bore	Seal O.D.	Seal Width	Lip Mat'l	Part No.	Type/Illus.
12,50mm (.492") SHAFT (cont.)					
28.30	28.50	7.00	S	*12.5X28.5X7★	32
1.114	1.122	.276			
.493" SHAFT					
-	-	-	S	800130	VRS1
-	-	-	V	800134	VRS1
1.000	1.004	.250	S	*471211	47
.500" (1/2") SHAFT					
-	-	-	S	800130	VRS1
-	-	-	V	800134	VRS1
-	-	.250		99050	Redi-Sleeve
.687	.693	.093	S	342805	34
.688	.696	.100	N	*7506N	24
.688	.696	.100	S	*7506S	24
.749	.753	.093	S	43095S	4S
.750	.756	.125	S	340847	34
.751	.756	.192	S	8792S	31
.843	.848	.250	S	312196	31
.875	.879	.187	S	330699	33
.875	.879	.218	S	43080S	4S
.875	.879	.313	S	712019	#
.875	.881	.125	S	342613	34
.875	.881	.250	S	342614	34
.999	1.003	.250	S	48144	#
.999	1.003	.250	S	41442S	4S
.999	1.003	.250	S	471442	47
.999	1.003	.250	A	471442A	47
.999	1.003	.250	H	*471442H	47
.999	1.003	.250	N	*471442N	47
.999	1.003	.250	V	471442V	47
.999	1.003	.250	S	*481442	48
.999	1.003	.250	N	*481442N	48
.999	1.003	.250	V	*481442V	48
.999	1.003	.375	S	410119	41
.999	1.003	.375	S	*450119	45
.999	1.003	.375	S	470119	47
.999	1.003	.375	S	*480119	48
.999	1.010	.175	S	240119	24
1.000	1.004	.250	S	*471490	47
1.000	1.004	.250	S	*481490	48
1.006	1.010	.250	S	1041	48
1.010	1.017	.204	V	324234V	32
1.124	1.128	.250	V	471526V	47
1.124	1.128	.250	S	41526S	4S
1.124	1.128	.250	S	471526	47
1.124	1.128	.250	A	471526A	47
1.124	1.128	.250	S	*481526	48
1.124	1.128	.250	N	*481526N	48
1.124	1.128	.312	S	*411294	41
1.124	1.128	.312	S	*451294	45
1.124	1.128	.312	H	*451294H	45
1.124	1.128	.312	S	*471294	47
1.124	1.128	.312	S	*481294	48
1.124	1.128	.375	S	*410005	41
1.124	1.128	.375	S	450005	45
1.124	1.128	.375	S	470005	47
1.124	1.128	.375	S	*480005	48
1.124	1.134	.175	S	*240005	24
1.156	1.166	.250	S	324112	32
1.250	1.254	.250	S	*40014S	4S
1.250	1.254	.250	S	471472	47
1.250	1.254	.250	V	471472V	47
1.250	1.254	.250	S	*481472	48
1.250	1.254	.250	N	*481472N	48
1.250	1.254	.375	S	*410014	41
1.250	1.254	.375	S	*450014	45
1.250	1.254	.375	S	470014	47
1.250	1.254	.375	S	*480014	48
1.375	1.379	.250	S	471549	47

For Illustration and Material Data See Technical Section

Designed For A Specific Application - Not Recommended For General Use * Call 1-800-480-1212 For Price and Delivery ★ Metric Seal

Hsg. Bore	Seal O.D.	Seal Width	Lip Mat'l	Part No.	Type/Illus.	Hsg. Bore	Seal O.D.	Seal Width	Lip Mat'l	Part No.	Type/Illus.
.500" (1/2") SHAFT (cont.)						14,00mm (.551") SHAFT (cont.)					
1.375	1.379	.312	S	*451555	45	22,80	23,00	6,00	S	*14X23X6★	32
1.375	1.379	.312	S	471555	47	.898	.906	.236			
1.375	1.379	.406	S	*410019	41	23,80	24,00	4,00	S	*14X24X4★	32
1.375	1.379	.406	S	*450019	45	.937	.945	.157			
1.375	1.379	.406	S	*470019	47	23,80	24,00	5,00	S	*14X24X5★	32
1.375	1.379	.406	S	*480019	48	.937	.945	.197			
1.378	1.382	.406	S	472467	47	23,80	24,00	6,00	S	*14X24X6★	32
						.937	.945	.236			
13,00mm (.512") SHAFT						14,00mm (.551") SHAFT (cont.)					
-	-	-	S	800130	VRS1	23,80	24,00	8,00	S	*14X24X8★	32
-	-	-	V	800134	VRS1	.937	.945	.315			
19,80	20,00	5,00	S	*13X20X5★	32	24,00	24,23	7,00	S	221410★	35
.779	.787	.197				.945	.954	.276			
21,80	22,00	5,00	S	*13X22X5★	32	24,00	24,23	7,00	S	14X24X7★	32
.858	.866	.197				.945	.954	.276			
21,80	22,00	7,00	S	*13X22X7★	32	24,00	24,25	12,70	S	2004★	#
.858	.866	.276				.945	.955	.500			
22,00	22,20	6,00	S	13X22X6★	32	24,80	25,00	4,00	S	*14X25X4★	32
.866	.874	.236				.976	.984	.157			
22,00	22,20	6,00	S	710348★	32	24,80	25,00	7,00	S	*14X25X7★	32
.866	.874	.236				.976	.984	.276			
22,80	23,00	7,00	S	*13X23X7★	32	24,80	25,00	9,00	S	*14X25X9★	32
.898	.906	.276				.976	.984	.354			
23,80	24,00	7,00	S	*13X24X7★	32	25,00	25,20	7,00	N	710116★	32
.937	.945	.276				.984	.992	.276			
24,80	25,00	5,00	S	*13X25X5★	32	25,00	25,23	5,00	S	14X25X5★	32
.976	.984	.197				.984	.993	.197			
24,80	25,00	7,00	S	*13X25X7★	32	1,000	1,004	.312	S	473546	47
.976	.984	.276				25,80	26,00	8,00	S	*14X26X8★	32
25,80	26,00	9,00	S	*13X26X9★	32	1,016	1,024	.315			
1,016	1,024	.354				26,00	26,23	7,00	S	14X26X7★	32
26,00	26,20	7,00	S	13X26X7★	32	1,024	1,033	.276			
1,024	1,031	.276				26,80	27,00	10,00	S	*14X27X10★	32
27,00	27,20	7,00	S	*13X27X7★	32	1,055	1,063	.394			
1,063	1,071	.276				27,00	27,20	7,00	S	14X27X7★	32
28,00	28,20	7,00	S	13X28X7★	32	1,063	1,071	.276			
1,102	1,110	.276				27,80	28,00	7,00	S	*14X28X7★	32
29,80	30,00	8,00	S	*13X30X8★	32	1,094	1,102	.276			
1,173	1,181	.315				27,80	28,00	7,00	S	*14X28X7★	32
30,00	30,20	7,00	S	13X30X7★	32	1,094	1,102	.276			
1,181	1,189	.276				28,00	28,23	6,00	S	14X28X6★	32
31,80	32,00	7,00	S	*13X32X7★	32	1,102	1,111	.236			
1,252	1,260	.276				28,30	28,50	7,00	S	*14X28.5X7★	32
34,80	35,00	7,00	S	*13X35X7★	32	1,114	1,122	.276			
1,370	1,378	.276				28,80	29,00	7,00	S	*14X29X7★	32
						1,134	1,142	.276			
.531" (17/32") SHAFT						14,00mm (.551") SHAFT (cont.)					
1.124	1.128	.312	S	471530	47	29,80	30,00	7,50	S	*14X30X7.5★	32
1.124	1.128	.375	S	*450006	45	1,173	1,181	.295			
1.250	1.254	.250	S	*481534	48	29,80	30,00	8,00	S	*14X30X8★	32
						1,173	1,181	.315			
.540" SHAFT						14,00mm (.551") SHAFT (cont.)					
1.219	1.213	.187	S	*7738	#	29,80	30,00	9,00	S	*14X30X9★	32
						1,173	1,181	.354			
13,80mm (.543") SHAFT						14,00mm (.551") SHAFT (cont.)					
23,80	24,00	5,00	S	*13.8X24X5★	32	29,80	30,00	10,00	S	*14X30X10★	32
.937	.945	.197				1,173	1,181	.394			
						30,00	30,20	7,00	S	14X30X7★	32
14,00mm (.551") SHAFT						14,00mm (.551") SHAFT (cont.)					
20,80	21,00	4,00	S	*14X21X4★	32	1,181	1,189	.276			
.819	.827	.157				30,00	30,20	7,00	V	*14X30X7V★	35
21,80	22,00	4,00	S	*14X22X4★	32	1,181	1,189	.276			
.858	.866	.157				31,80	32,00	7,50	S	*14X32X7.5★	32
21,80	22,00	6,00	S	*14X22X6★	32	1,252	1,260	.295			
.858	.866	.236				31,80	32,00	10,00	S	*14X32X10★	32
21,80	22,00	7,00	S	*14X22X7★	32	1,252	1,260	.394			
.858	.866	.276				32,00	32,20	7,00	S	14X32X7★	32
						1,260	1,268	.276			
20,80	21,00	4,00	S	*14X21X4★	32	34,80	35,00	8,00	S	*14X35X8★	32
.819	.827	.157				1,370	1,378	.315			
21,80	22,00	4,00	S	*14X22X4★	32	34,80	35,00	10,00	S	*14X35X10★	32
.858	.866	.157				1,370	1,378	.394			
21,80	22,00	6,00	S	*14X22X6★	32	35,00	35,22	7,00	S	14X35X7★	32
.858	.866	.236				1,378	1,387	.276			
21,80	22,00	7,00	S	*14X22X7★	32	35,80	36,00	7,00	S	*14X36X7★	32
.858	.866	.276				1,409	1,417	.276			

SIZE SECTION

For Illustration and Material Data See Technical Section
 # Designed For A Specific Application - Not Recommended For General Use ◀ Hydrodynamic Lip Design-CCW * Call 1-800-480-1212 For Price and Delivery ★ Metric Seal

Size Section

NATIONAL®

Hsg. Bore	Seal O.D.	Seal Width	Lip Mat'l	Part No.	Type/ Illus.
14,00mm (.551") SHAFT (cont.)					
39,80	40,00	7,00	S	*14X40X7★	32
1,567	1,575	.276			
39,80	40,00	10,00	S	*14X40X10★	32
1,567	1,575	.394			

.562" (9/16") SHAFT

Hsg. Bore	Seal O.D.	Seal Width	Lip Mat'l	Part No.	Type/ Illus.
-	-	.250		99056	Redi-Sleeve
.750	.754	.094	S	712028	#
.810	.814	.187	N	313156	31
.810	.814	.187	N	*313156N	31
.875	.879	.187	S	314259	31
.999	1,003	.250	S	*471315	47
.999	1,003	.250	S	*481315	48
.999	1,003	.250	N	*481315N	48
.999	1,003	.250	V	*481315V	48
.999	1,003	.375	S	*410202	41
.999	1,003	.375	N	*410202N	41
.999	1,003	.375	S	*450202	45
.999	1,003	.375	N	*450202N	45
.999	1,003	.375	S	*470202	47
.999	1,003	.375	S	*480202	48
1,000	1,004	.250	V	472705V	47
1,000	1,004	.250	S	472705	47
1,000	1,004	.312	S	*470650	47
1,004	1,008	.254	N	718610	47
1,124	1,128	.250	S	471281	47
1,124	1,128	.250	S	*481281	48
1,124	1,128	.250	N	*481281N	48
1,124	1,128	.250	V	*481281V	48
1,124	1,128	.312	S	*411531	41
1,124	1,128	.312	S	*451531	45
1,124	1,128	.375	S	*410007	41
1,124	1,128	.375	S	*450007	45
1,124	1,128	.375	H	*450007H	45
1,124	1,128	.375	S	*470007	47
1,124	1,128	.375	S	*480007	48
1,124	1,128	.531	V	*3072V	49
1,124	1,135	.175	S	*240007	24
1,234	1,238	.437	S	*7708	71
1,246	1,250	.375	S	*410536	41
1,246	1,250	.375	S	450536	45
1,246	1,250	.375	N	*450536N	45
1,246	1,250	.375	S	*480536	48
1,250	1,254	.250	S	471535	47
1,250	1,254	.250	S	*481535	48
1,250	1,254	.375	S	*410016	41
1,250	1,254	.375	S	*450016	45
1,250	1,254	.375	H	*450016H	45
1,250	1,254	.375	S	*470016	47
1,250	1,254	.375	S	*480016	48
1,250	1,254	.375	N	*480016N	48
1,375	1,379	.250	S	471551	47
1,375	1,379	.250	S	*481551	48
1,375	1,379	.250	H	*481551H	48
1,375	1,379	.312	S	*411557	41
1,375	1,379	.406	S	*410021	41
1,375	1,379	.406	S	*450021	45
1,375	1,379	.406	S	*470021	47
1,375	1,379	.406	S	*480021	48

14,50mm (.571") SHAFT

31,80	32,00	7,00	S	*14.5X32X7★	32
1,252	1,260	.276			

14,80mm (.583") SHAFT

29,80	30,00	7,50	S	*14.8X30X7.5★	32
1,173	1,181	.295			

.590" SHAFT

-	-	.197		99059	Redi-Sleeve
.997	1,006	.200	N	*4127N	34

15,00mm (.591") SHAFT

Hsg. Bore	Seal O.D.	Seal Width	Lip Mat'l	Part No.	Type/ Illus.
-	-	.197		99059	Redi-Sleeve
20,00	20,10	5,00	S	710346★	49
.787	.791	.197			
20,80	21,00	5,00	S	*15X21X5★	32
.819	.827	.197			
21,80	22,00	4,00	S	*15X22X4★	32
.858	.866	.157			
21,80	22,00	5,00	S	*15X22X5★	32
.858	.866	.197			
21,80	22,00	7,00	S	*15X22X7★	32
.858	.866	.276			
22,80	23,00	7,00	S	*15X23X7★	32
.898	.906	.276			
23,80	24,00	5,00	S	*15X24X5★	32
.937	.945	.197			
23,80	24,00	6,00	S	*15X24X6★	32
.937	.945	.236			
24,00	24,20	5,00	S	2027★	35
.945	.953	.197			
24,00	24,23	7,00	S	15X24X7★	32
.945	.954	.276			
25,00	25,20	5,00	S	15X25X5★	32
.984	.992	.197			
25,00	25,20	7,00	S	15X25X7★	35
.984	.992	.276			
25,00	25,22	7,00	S	*350509★	35
.984	.993	.276			
25,00	25,25	6,00	N	15X25X6★	32
.984	.994	.236			
25,00	25,25	6,00	N	221510★	32
.984	.994	.236			
25,30	25,50	4,50	S	*15X25.5X4.5★	32
.996	1,004	.177			
25,30	25,50	7,00	S	*15X25.5X7★	32
.996	1,004	.276			
25,80	26,00	6,00	S	*15X26X6★	32
1,016	1,024	.236			
25,80	26,00	8,00	S	*15X26X8★	32
1,016	1,024	.315			
25,80	26,00	9,00	S	*15X26X9★	32
1,016	1,024	.354			
26,00	26,23	7,00	S	15X26X7★	32
1,024	1,033	.276			
26,80	27,00	7,00	S	*15X27X7★	32
1,055	1,063	.276			
26,80	27,00	8,00	S	*15X27X8★	32
1,055	1,063	.315			
27,80	28,00	6,00	S	*15X28X6★	32
1,094	1,102	.236			
27,80	28,00	8,00	S	*15X28X8★	32
1,094	1,102	.315			
27,80	28,00	10,00	S	*15X28X10★	32
1,094	1,102	.394			
27,93	28,13	7,00	S	*15X28.13X7★	32
1,099	1,107	.276			
28,00	28,20	7,00	S	15X28X7★	32
1,102	1,110	.276			
28,30	28,50	7,00	S	*15X28.5X7★	32
1,114	1,122	.276			
28,80	29,00	7,00	S	*15X29X7★	32
1,134	1,142	.276			
29,80	30,00	5,00	S	*15X30X5★	32
1,173	1,181	.197			
29,80	30,00	7,50	S	*15X30X7.5★	32
1,173	1,181	.295			

For Illustration and Material Data See Technical Section

Designed For A Specific Application - Not Recommended For General Use * Call 1-800-480-1212 For Price and Delivery ★ Metric Seal

Hsg. Bore	Seal O.D.	Seal Width	Lip Mat'l	Part No.	Type/Illus.	Hsg. Bore	Seal O.D.	Seal Width	Lip Mat'l	Part No.	Type/Illus.
15,00mm (.591") SHAFT (cont.)						.610" SHAFT					
29.80	30.00	8.00	S	*15X30X8★	32	-	-	-	S	800160	VRS1
1.173	1.181	.315				-	-	-	V	800164	VRS1
29.80	30.00	10.00	S	*15X30X10★	32	1.102	1.106	.600	V	710274	#
1.173	1.181	.394				.614" SHAFT					
30.00	30.23	7.00	S	221540★	35	-	-	-	S	800160	VRS1
1.181	1.190	.276				-	-	-	V	800164	VRS1
30.00	30.23	7.00	S	15X30X7★	32	15,60mm (.614") SHAFT					
1.181	1.190	.276				25.30	25.50	7.00	S	*15.6X25.5X7★	32
30.80	31.00	7.00	S	*15X31X7★	32	.996	1.004	.276			
1.212	1.220	.276				.614" SHAFT					
31.80	32.00	5.00	S	*15X32X5★	32	.999	1.006	.250	S	340724	34
1.252	1.260	.197				.621" SHAFT					
31.80	32.00	7.50	S	*15X32X7.5★	32	-	-	-	S	800160	VRS1
1.252	1.260	.295				-	-	-	V	800164	VRS1
31.80	32.00	9.00	S	*15X32X9★	32	.937	.941	.187	S	*311197	31
1.252	1.260	.354				.622" SHAFT					
32.00	32.20	7.00	S	15X32X7★	35	-	-	-	S	800160	VRS1
1.260	1.268	.276				-	-	-	V	800164	VRS1
32.00	32.20	7.00	V	*15X32X7V★	35	1.559	1.567	.453	S	*712127	32
1.260	1.268	.276				.625" (5/8") SHAFT					
32.00	32.22	8.00	S	15X32X8★	32	-	-	-	S	800160	VRS1
1.260	1.269	.315				-	-	-	V	800164	VRS1
34.80	35.00	5.00	S	*15X35X5★	32	-	-	.313	99062	Redi-Sleeve	
1.370	1.378	.197				.812	.820	.093	S	340387	34
34.80	35.00	6.00	S	*15X35X6★	32	.875	.879	.230	S	*9659	#
1.370	1.378	.236				.875	.879	.230	H	*9659H	#
34.80	35.00	8.00	S	*15X35X8★	32	.875	.880	.125	S	253747	25
1.370	1.378	.315				.875	.883	.093	S	340849	34
34.80	35.00	10.00	S	*15X35X10★	32	.936	.942	.187	S	343105	34
1.370	1.378	.394				.937	.945	.187	S	7399S	24
35.00	35.20	7.00	V	*15X35X7V★	35	.999	1.003	.250	S	7188S	33
1.378	1.386	.276				.999	1.005	.250	S	351487	35
35.00	35.23	7.00	S	15X35X7★	32	1.000	1.004	.156	N	*6792	4S
1.378	1.387	.276				1.000	1.004	.250	S	*250416	25
35.80	36.00	7.00	S	*15X36X7★	32	1.000	1.005	.125	N	314267N	31
1.409	1.417	.276				1.124	1.128	.250	S	48146	#
36.80	37.00	7.00	S	*15X37X7★	32	1.124	1.128	.250	S	41466S	4S
1.449	1.457	.276				1.124	1.128	.250	S	471466	47
37.00	37.20	6.00	S	15X37X6★	32	1.124	1.128	.250	A	471466A	47
1.457	1.465	.236				1.124	1.128	.250	N	*471466N	47
37.80	38.00	10.00	S	*15X38X10★	32	1.124	1.128	.250	V	471466V	47
1.488	1.496	.394				1.124	1.128	.250	S	*481466	48
38.00	38.20	7.00	S	*15X38X7★	32	1.124	1.128	.250	V	*481466V	48
1.496	1.504	.276				1.124	1.128	.312	S	*410791	41
39.80	40.00	8.00	S	*15X40X8★	32	1.124	1.128	.312	V	410791V	41
1.567	1.575	.315				1.124	1.128	.312	V	*450791	45
39.80	40.00	10.00	S	*15X40X10★	32	1.124	1.128	.312	V	*450791V	45
1.567	1.575	.394				1.124	1.128	.312	S	*470791	47
40.00	40.20	7.00	S	15X40X7★	32	1.124	1.128	.312	H	*470791H	47
1.575	1.583	.276				1.124	1.128	.312	N	*470791N	47
41.80	42.00	7.00	S	*15X42X7★	32	1.124	1.128	.312	S	*480791	48
1.646	1.654	.276				1.124	1.128	.375	L	*50009	5L
41.80	42.00	8.00	S	*15X42X8★	32	1.124	1.128	.375	S	*410009	41
1.646	1.654	.315				1.124	1.128	.375	N	*410009N	41
41.80	42.00	10.00	S	*15X42X10★	32	1.124	1.128	.375	S	*450009	45
1.646	1.654	.394				1.124	1.128	.375	V	*450009V	45
.593" (19/32") SHAFT						1.124	1.128	.375	S	470009	47
-	-	.197		99059	Redi-Sleeve	1.124	1.128	.375	N	*470009N	47
.935	.943	.175	S	340797	34	1.124	1.128	.375	S	*480009	48
1.000	1.008	.203	S	*712128	32	1.124	1.128	.375	S	*480009	48
1.124	1.128	.312	S	471532	47	1.124	1.128	.375	S	*480009	48
1.124	1.128	.375	S	*450008	45	1.124	1.128	.375	S	*480009	48
1.250	1.254	.312	S	473405	47	1.124	1.128	.375	S	*480009	48
1.250	1.254	.375	S	*450017	45	1.124	1.128	.375	S	*480009	48
1.250	1.254	.375	V	*450017V	45	1.124	1.128	.375	S	*480009	48
1.375	1.379	.250	S	*481552	48	1.124	1.128	.375	S	*480009	48
1.375	1.379	.312	S	471558	47	1.124	1.128	.375	S	*480009	48
1.375	1.379	.406	S	*450022	45	1.124	1.128	.375	S	*480009	48

SIZE SECTION

For Illustration and Material Data See Technical Section
 # Designed For A Specific Application - Not Recommended For General Use * Call 1-800-480-1212 For Price and Delivery ★ Metric Seal

Size Section

NATIONAL®



Hsg. Bore	Seal O.D.	Seal Width	Lip Mat'l	Part No.	Type/Illus.	Hsg. Bore	Seal O.D.	Seal Width	Lip Mat'l	Part No.	Type/Illus.
.625" (5/8") SHAFT (cont.)						16,00mm (.630") SHAFT (cont.)					
1.124	1.128	.375	S	712024	#	21,80	22,00	7,00	S	* 16X22X7★	32
1.124	1.128	.531	V	* 3074V	49	.858	.866	.276			
1.124	1.129	.250	V	* 3757V	35	22,00	22,20	4,00	S	16X22X4★	32
1.124	1.130	.250	S	340009S	34	.866	.874	.157			
1.124	1.130	.250	S	351466	35	23,80	24,00	4,00	S	* 16X24X4★	32
1.124	1.135	.175	S	240009	24	.937	.945	.157			
1.124	1.135	.175	S	* 240791	24	24,00	24,20	6,00	S	16X24X6★	32
1.124	1.135	.175	N	* 240791N	24	.945	.953	.236			
1.181	1.185	.350	V	* 471291V	47	24,00	24,20	7,00	S	16X24X7★	32
1.246	1.250	.375	S	450535	45	.945	.953	.276			
1.246	1.250	.375	S	* 480535	48	24,80	25,00	5,00	S	* 16X25X5★	32
1.250	1.254	.250	V	471264V	47	.976	.984	.197			
1.250	1.254	.250	S	41264S	4S	24,80	25,00	6,00	S	* 16X25X6★	32
1.250	1.254	.250	S	471264	47	.976	.984	.236			
1.250	1.254	.250	A	471264A	47	24,80	25,00	7,00	S	* 16X25X7★	32
1.250	1.254	.250	S	* 481264	48	.976	.984	.276			
1.250	1.254	.375	S	* 410018	41	25,00	25,20	5,00	S	16X24X5★	35
1.250	1.254	.375	S	* 450018	45	.984	.992	.197			
1.250	1.254	.375	S	470018	47	25,80	26,00	5,00	S	* 16X26X5★	32
1.250	1.254	.375	S	* 480018	48	1.016	1.024	.197			
1.375	1.379	.250	S	* 40023S	4S	25,80	26,00	6,00	S	* 16X26X6★	32
1.375	1.379	.250	S	471255	47	1.016	1.024	.236			
1.375	1.379	.250	A	471255A	47	25,80	26,00	6,00	S	* 16X26X6★	32
1.375	1.379	.250	V	471255V	47	1.016	1.024	.236			
1.375	1.379	.250	S	* 481255	48	26,00	26,10	7,00	S	710243★	25
1.375	1.379	.250	V	* 481255V	48	1.024	1.028	.276			
1.375	1.379	.312	S	* 411324	41	26,00	26,20	7,00	S	16X26X7★	32
1.375	1.379	.312	S	* 451324	45	1.024	1.031	.276			
1.375	1.379	.312	S	* 471324	47	26,80	27,00	7,00	S	* 16X27X7★	32
1.375	1.379	.312	S	* 481324	48	1.055	1.063	.276			
1.375	1.379	.406	S	* 410023	41	27,00	27,20	14,00	N	221607★	#
1.375	1.379	.406	S	* 450023	45	1.063	1.071	.551			
1.375	1.379	.406	H	* 450023H	45	27,23	27,33	9,00	V	* 4662V★	47
1.375	1.379	.406	S	470023	47	1.072	1.076	.354			
1.375	1.379	.406	S	* 480023	48	27,23	27,33	9,00	V	714662★	47
1.375	1.381	.250	S	351255	35	1.072	1.076	.354			
1.375	1.385	.175	S	240023	24	28,00	28,20	7,00	V	* 16X28X7V★	32
1.377	1.381	.406	S	* 450557	45	1.102	1.110	.276			
1.377	1.381	.406	S	470557	47	28,00	28,23	7,00	N	221610★	32
1.499	1.503	.250	S	471564	47	1.102	1.111	.276			
1.499	1.503	.250	S	* 481564	48	28,00	28,23	7,00	S	16X28X7★	32
1.499	1.503	.312	S	* 411577	41	1.102	1.111	.276			
1.499	1.503	.312	S	* 451577	45	28,30	28,50	8,00	S	* 16X28.5X8★	32
1.499	1.503	.312	S	* 471577	47	1.114	1.122	.315			
1.499	1.503	.312	S	* 481577	48	28,80	29,00	7,00	S	* 16X29X7★	32
1.499	1.503	.390	S	* 410975	41	1.134	1.142	.276			
1.499	1.503	.390	S	* 450975	45	29,80	30,00	4,50	S	* 16X30X4.5★	32
1.499	1.503	.390	S	* 470975	47	1.173	1.181	.177			
1.499	1.503	.390	S	* 480975	48	29,80	30,00	5,00	S	* 16X30X5★	32
1.575	1.579	.312	S	471612	47	1.173	1.181	.197			
1.575	1.579	.312	S	* 481612	48	29,80	30,00	6,00	S	* 16X30X6★	32
1.624	1.628	.312	S	* 411653	41	1.173	1.181	.236			
1.624	1.628	.312	S	471653	47	29,80	30,00	8,00	S	* 16X30X8★	32
1.624	1.628	.437	S	* 411024	41	1.173	1.181	.315			
1.624	1.628	.437	S	* 451024	45	29,80	30,00	10,00	S	* 16X30X10★	32
1.624	1.628	.437	S	471024	47	1.173	1.181	.394			
1.624	1.628	.437	S	* 481024	48	30,00	30,20	7,00	V	* 16X30X7V★	35
1.624	1.628	.489	S	* 472207	47	1.181	1.189	.276			
1.625	1.629	.250	S	484114	48	30,00	30,23	7,00	S	221620★	35
1.687	1.691	.750	N	* 712132	#	1.181	1.190	.276			
1.752	1.756	.312	S	* 471695	47	30,00	30,23	7,00	S	16X30X7★	32
2.047	2.051	.312	S	* 472137	47	1.181	1.190	.276			
2.441	2.445	.375	S	* 472146	47	31,80	32,00	10,00	S	* 16X32X10★	32
16,00mm (.630") SHAFT											
-	-	-	S	800160	VRS1	1.252	1.260	.394			
-	-	-	V	800164	VRS1	32,00	32,28	7,00	S	16X32X7★	32
-	-	.313	S	99058		1.260	1.271	.276			
20,80	21,00	6,00	S	* 16X21X6★	32	33,80	34,00	4,00	S	* 16X34X4★	32
.819	.827	.236				1.331	1.339	.157			
						34,80	35,00	8,00	S	* 16X35X8★	32
						1.370	1.378	.315			
						34,80	35,00	10,00	S	* 16X35X10★	32
						1.370	1.378	.394			

For Illustration and Material Data See Technical Section

Designed For A Specific Application - Not Recommended For General Use * Call 1-800-480-1212 For Price and Delivery ★ Metric Seal

Hsg. Bore	Seal O.D.	Seal Width	Lip Mat'l	Part No.	Type/Illus.	Hsg. Bore	Seal O.D.	Seal Width	Lip Mat'l	Part No.	Type/Illus.
16,00mm (.630") SHAFT (cont.)						17,00mm (.669") SHAFT (cont.)					
35,00	35,23	7,00	S	16X35X7★	32	24,80	25,00	7,00	S	*17X25X7★	32
1,378	1,387	.276				.976	.984	.276			
36,00	36,20	7,00	S	*16X36X7★	32	25,00	25,10	5,00	S	710362★	49
1,417	1,425	.276				.984	.988	.197			
36,80	37,00	7,00	S	*16X37X7★	32	25,80	26,00	6,00	S	*17X26X6★	32
1,449	1,457	.276				1,016	1,024	.236			
37,80	38,00	8,00	S	*16X38X8★	32	25,80	26,00	7,00	S	*17X26X7★	32
1,488	1,496	.315				1,016	1,024	.276			
38,00	38,20	7,00	S	16X38X7★	32	26,80	27,00	5,00	S	*17X27X5★	32
1,496	1,504	.276				1,055	1,063	.197			
39,80	40,00	10,00	S	*16X40X10★	32	26,80	27,00	8,00	S	*17X27X8★	32
1,567	1,575	.394				1,055	1,063	.315			
40,00	40,20	7,00	S	16X40X7★	32	26,80	27,00	10,00	S	*17X27X10★	32
1,575	1,583	.276				1,055	1,063	.394			
44,75	44,96	9,00	V	*4616V★	#	27,00	27,20	7,00	S	17X27X7★	32
1,762	1,770	.354				1,063	1,071	.276			
44,75	44,96	9,00	V	714616★	#	27,80	28,00	4,50	S	*17X28X4.5★	32
1,762	1,770	.354				1,094	1,102	.177			
56,00	56,20	6,50	V	710261★➔	32	27,80	28,00	5,00	S	*17X28X5★	32
2,205	2,213	.256				1,094	1,102	.197			
.634" SHAFT						.634" SHAFT					
-	-	-	S	800160	VRS1	1,094	1,102	.236			
-	-	-	V	800164	VRS1	27,80	28,00	8,00	S	*17X28X8★	32
1,246	1,255	.300	T	*100459T	#	1,094	1,102	.315			
16,40mm (.646") SHAFT						16,40mm (.646") SHAFT					
29,80	30,00	5,00	S	*16.4X30X5★	32	28,00	28,23	7,00	S	221710★	35
1,173	1,181	.197				1,102	1,111	.276			
.656" (21/32") SHAFT						.656" (21/32") SHAFT					
-	-	-	S	800160	VRS1	28,00	28,23	7,00	S	17X28X7★	35
-	-	-	V	800164	VRS1	1,102	1,111	.276			
1.124	1.128	.250	S	481528	48	28,00	28,23	7,00	S	17X28X7★	35
1,125	1,129	.375	S	*451096	45	1,102	1,111	.276			
1,125	1,129	.375	H	*451096H	45	28,30	28,50	7,00	S	*17X28.5X7★	32
1.250	1.254	.250	S	481537	48	1,114	1,122	.276			
1,250	1,254	.375	S	*450469	45	28,80	29,00	5,00	S	*17X29X5★	32
1,250	1,258	.250	S	340469	34	1,134	1,142	.197			
1,250	1,258	.250	N	*340469N	34	29,00	29,20	7,00	S	*17X29X7★	32
1.375	1.379	.250	S	481073	48	1,142	1,150	.276			
1,375	1,379	.312	S	*450649	45	29,80	30,00	5,00	S	*17X30X5★	32
1,375	1,379	.406	S	*450024	45	1,173	1,181	.197			
1,561	1,565	.250	S	*481592	48	29,80	30,00	6,00	S	*17X30X6★	32
1.575	1.579	.250	S	481397	48	1,173	1,181	.236			
1,575	1,579	.312	H	*481436H	48	29,80	30,00	6,00	S	*17X30X6★	32
1,575	1,579	.375	S	*450780	45	1,173	1,181	.315			
1,752	1,756	.250	S	*481682	48	29,80	30,00	10,00	S	*17X30X10★	32
.668" SHAFT						.668" SHAFT					
-	-	-	S	800160	VRS1	1,173	1,181	.394			
-	-	-	V	800164	VRS1	30,00	30,20	7,00	V	*17X30X7V★	35
-	-	.315		99068	Redi-Sleeve	1,181	1,189	.276			
1.187	1.191	.185	S	481481	48	30,00	30,23	8,00	S	221720★	32
17,00mm (.669") SHAFT						17,00mm (.669") SHAFT					
-	-	-	S	800160	VRS1	1,181	1,190	.276			
-	-	-	V	800164	VRS1	30,00	30,23	7,00	S	17X30X7★	32
-	-	.315		99068	Redi-Sleeve	1,181	1,190	.276			
20,80	20,90	3,10	S	710361★	44	30,80	31,00	7,00	S	*17X31X7★	32
.819	.823	.122				1,212	1,220	.276			
23,80	24,00	7,00	S	*17X24X7★	32	30,80	31,00	8,00	S	*17X31X8★	32
.937	.945	.276				1,212	1,220	.315			
24,80	25,00	4,00	S	*17X25X4★	32	31,55	31,75	8,00	S	*17X31.75X8★	32
.976	.984	.157				1,242	1,250	.315			
24,80	25,00	6,00	S	*17X25X6★	32	31,80	32,00	5,00	S	*17X32X5★	32
.976	.984	.236				1,252	1,260	.197			
						31,80	32,00	6,00	S	*17X32X6★	32
						1,252	1,260	.236			
						31,80	32,00	8,00	S	*17X32X8★	32
						1,252	1,260	.315			
						32,00	32,22	7,00	S	221730★	35
						1,260	1,269	.276			
						32,00	32,22	7,00	S	17X32X7★	32
						1,260	1,269	.276			
						32,80	33,00	7,00	S	*17X33X7★	32
						1,291	1,299	.276			
						33,80	34,00	4,00	S	*17X34X4★	32
						1,331	1,339	.157			

SIZE SECTION

For Illustration and Material Data See Technical Section
 # Designed For A Specific Application - Not Recommended For General Use ➔ Hydrodynamic Lip Design-CW * Call 1-800-480-1212 For Price and Delivery ★ Metric Seal

Size Section

NATIONAL®



Hsg. Bore	Seal O.D.	Seal Width	Lip Mat'l	Part No.	Type/Illus.
17,00mm (.669") SHAFT (cont.)					
33,80	34,00	7,00	S	*17X34X7★	32
1,331	1,339	.276			
34,00	34,10	7,90	N	710251★	47
1,339	1,343	.311			
34,30	34,50	4,00	S	*17X34.5X4★	32
1,350	1,358	.157			
34,80	35,00	6,00	S	*17X35X6★	32
1,370	1,378	.236			
34,80	35,00	10,00	S	*17X35X10★	32
1,370	1,378	.394			
35,00	35,18	7,00	S	17X35X7★	35
1,378	1,385	.276			
35,00	35,18	7,00	S	221735★	35
1,378	1,385	.276			
35,00	35,20	7,00	V	*17X35X7V★	35
1,378	1,386	.276			
35,00	35,20	8,00	S	17X35X8★	35
1,378	1,386	.315			
36,00	36,20	7,00	S	*17X36X7★	32
1,417	1,425	.276			
36,80	37,00	10,00	S	*17X37X10★	32
1,449	1,457	.394			
37,00	37,20	7,00	S	17X37X7★	32
1,457	1,465	.276			
37,80	38,00	10,00	S	*17X38X10★	32
1,488	1,496	.394			
38,00	38,20	7,00	S	17X38X7★	32
1,496	1,504	.276			
39,80	40,00	5,00	S	*17X40X5★	32
1,567	1,575	.197			
39,80	40,00	8,00	S	*17X40X8★	32
1,567	1,575	.315			
39,80	40,00	10,00	S	*17X40X10★	32
1,567	1,575	.394			
40,00	40,23	7,00	S	17X40X7★	32
1,575	1,584	.276			
42,00	42,20	7,00	S	*17X42X7★	32
1,654	1,661	.276			
45,00	45,20	7,00	S	*17X45X7★	32
1,772	1,780	.276			
45,80	46,00	6,00	S	*17X46X6★	32
1,803	1,811	.236			
46,00	46,20	7,00	S	*17X46X7★	32
1,811	1,819	.276			
46,80	47,00	10,00	S	*17X47X10★	32
1,842	1,850	.394			
47,00	47,20	7,00	S	17X47X7★	35
1,850	1,858	.276			
47,00	47,20	8,00	S	17X47X8★	32
1,850	1,858	.315			
17,40mm (.685") SHAFT					
-	-	-	S	800160	VRS1
-	-	-	V	800164	VRS1
-	-	.313		99060	Redi-Sleeve
30,00	30,20	7,00	S	710344★	32
1,181	1,189	.276			
.687" (11/16") SHAFT					
-	-	-	S	800160	VRS1
-	-	-	V	800164	VRS1
1.124	1.128	.250	S	*471529	47
1.124	1.128	.250	S	*481529	48
1.124	1.128	.250	N	*481529N	48
1.124	1.128	.312	S	*451297	45
1.124	1.128	.375	S	*410137	41
1.124	1.128	.375	S	*450137	45
1.124	1.128	.375	S	*470137	47
1.124	1.128	.375	S	*480137	48
1.125	1.129	.312	S	*411297	41

Hsg. Bore	Seal O.D.	Seal Width	Lip Mat'l	Part No.	Type/Illus.
.687" (11/16") SHAFT (cont.)					
1.125	1.129	.312	S	*471297	47
1.125	1.129	.312	N	*471297N	47
1.187	1.191	.187	S	*474261	47
1.250	1.254	.250	S	8773S➔	25
1.250	1.254	.250	S	*471538	47
1.250	1.254	.250	S	481538	48
1.250	1.254	.250	V	*481538V	48
1.250	1.254	.375	S	*410355	41
1.250	1.254	.375	S	*450355	45
1.250	1.254	.375	S	*470355	47
1.250	1.254	.375	S	*480355	48
1.375	1.379	.250	S	*471553	47
1.375	1.379	.250	S	*481553	48
1.375	1.379	.312	S	*451559	45
1.375	1.379	.312	S	*471559	47
1.375	1.379	.406	S	*410025	41
1.375	1.379	.406	S	450025	45
1.375	1.379	.406	S	470025	47
1.375	1.379	.406	S	*480025	48
1.499	1.503	.312	S	*471579	47
1.499	1.503	.312	S	*481579	48
1.499	1.503	.390	S	*410205	41
1.499	1.503	.390	S	*450205	45
1.499	1.503	.390	N	*450205N	45
1.499	1.503	.390	S	*470205	47
1.499	1.503	.390	S	*480205	48
1.624	1.628	.250	S	*471642	47
17,50mm (.689") SHAFT					
-	-	-	S	800160	VRS1
-	-	-	V	800164	VRS1
27,50	27,70	7,00	N	710299★	#
1,083	1,091	.276			
31,80	32,00	6,00	S	*17.5X32X6★	32
1,252	1,260	.236			
.690" SHAFT					
-	-	-	S	800160	VRS1
-	-	-	V	800164	VRS1
.997	1.003	.295	S	3667&	271
17,60mm (.693") SHAFT					
29,80	30,00	7,00	S	*17.6X30X7★	32
1,173	1,181	.276			
.697" SHAFT					
1.220	1.227	.204	V	*320242	32
.701" SHAFT					
1.160	1.164	.250	S	331173	33
18,00mm (.709") SHAFT					
-	-	.315		*99082	Redi-Sleeve
23,00	23,20	4,00	S	710297★	34
.906	.913	.157			
24,80	25,00	7,00	S	*18X25X7★	32
.976	.984	.276			
25,80	26,00	7,00	S	*18X26X7★	32
1,016	1,024	.276			
26,00	26,10	4,00	S	710222★	98
1,024	1,028	.157			
26,80	27,00	7,00	S	*18X27X7★	32
1,055	1,063	.276			
27,80	28,00	7,00	S	*18X28X7★	32
1,094	1,102	.276			

For Illustration and Material Data See Technical Section

Designed For A Specific Application - Not Recommended For General Use ➔ Hydrodynamic Lip Design-CW & Flanged O.D. * Call 1-800-480-1212 For Price and Delivery

★ Metric Seal

Hsg. Bore	Seal O.D.	Seal Width	Lip Mat'l	Part No.	Type/Illus.	Hsg. Bore	Seal O.D.	Seal Width	Lip Mat'l	Part No.	Type/Illus.
18,00mm (.709") SHAFT (cont.)						18,00mm (.709") SHAFT (cont.)					
27,80	28,00	8,00	S	*18X28X8★	32	40,00	40,22	7,00	S	18X40X7★	32
1,094	1,102	.315				1,575	1,583	.276			
27,80	28,00	10,00	S	*18X28X10★	32	40,00	40,20	7,00	V	*18X40X7V★	35
1,094	1,102	.394				1,575	1,583	.276			
28,00	28,20	6,00	S	1015★	35	41,80	42,00	7,00	S	*18X42X7★	32
1,102	1,110	.236				1,646	1,654	.276			
28,00	28,20	6,00	S	1015N★	35	41,80	42,00	10,00	S	*18X42X10★	32
1,102	1,110	.236				1,646	1,654	.394			
28,00	28,20	6,00	N	*4400★	34	.718" SHAFT					
1,102	1,110	.236				1,250	1,254	.375	L	*50506	5L
28,00	28,20	7,00	V	*18X28X7V★	35	1.250	1.254	.375	S	470506	47
1,102	1,110	.276				.735" SHAFT					
28,00	28,28	6,00	S	18X28X6★	32	1,248	1,252	.250	S	472878	47
1,102	1,113	.236				18,70mm (.736") SHAFT					
28,80	29,00	7,00	S	*18X29X7★	32	35,00	35,20	7,00	N	710272★	32
1,134	1,142	.276				1,378	1,386	.276			
29,80	30,00	6,00	S	*18X30X6★	32	.737" SHAFT					
1,173	1,181	.236				1,375	1,379	.343	S	473416	47
29,80	30,00	6,00	S	*18X30X6★	32	1,375	1,382	.312	S	*3802	#
1,173	1,181	.236				.739" SHAFT					
29,80	30,00	8,00	S	*18X30X8★	32	1,250	1,254	.407	S	*4084	#
1,173	1,181	.315				.742" SHAFT					
29,80	30,00	10,00	S	*18X30X10★	32	1,063	1,067	.187	S	7929S	33
1,173	1,181	.394				19,00mm (.748") SHAFT					
30,00	30,10	6,70	S	3816★&	271	-	-	.313		99076	Redi-Sleeve
1,181	1,185	.264				-	-	.375		99075	Redi-Sleeve
30,00	30,23	7,00	S	18X30X7★	32	24,80	25,00	6,00	S	*19X25X6★	32
1,181	1,190	.276				.976	.984	.236			
30,00	30,23	9,00	S	221820★➔	32	26,80	27,00	5,00	S	*19X27X5★	32
1,181	1,190	.354				1,055	1,063	.197			
30,80	31,00	7,00	S	*18X31X7★	32	26,80	27,00	10,00	S	*19X27X10★	32
1,212	1,220	.276				1,055	1,063	.394			
31,80	32,00	6,00	S	*18X32X6★	32	27,00	27,20	6,00	S	19X27X6★	35
1,252	1,260	.236				1,063	1,071	.236			
31,80	32,00	10,00	S	*18X32X10★	32	27,80	28,00	7,00	S	*19X28X7★	32
1,252	1,260	.394				1,094	1,102	.276			
32,00	32,10	7,00	S	710156★	#	28,80	29,00	7,00	S	*19X29X7★	32
1,260	1,264	.276				1,134	1,142	.276			
32,00	32,20	7,00	S	18X32X7★	35	30,00	30,20	7,00	S	19X30X7★	32
1,260	1,268	.276				1.181	1.189	.276			
32,00	32,20	7,00	V	*18X32X7V★	35	30,00	30,20	7,00	S	221920★	32
1,260	1,268	.276				1,181	1,189	.276			
32,00	32,22	8,00	S	221830★	35	31,80	32,00	5,00	S	*19X32X5★	32
1,260	1,269	.315				1,252	1,260	.197			
32,00	32,22	8,00	S	18X32X8★	32	31,80	32,00	6,00	S	*19X32X6★	32
1,260	1,269	.315				1,252	1,260	.236			
32,00	32,23	12,70	N	*4401★	#	31,80	32,00	10,00	S	*19X32X10★	32
1,260	1,269	.500				1,252	1,260	.394			
33,80	34,00	7,00	S	*18X34X7★	32	32,00	32,20	7,00	S	19X32X7★	35
1,331	1,339	.276				1,260	1,268	.276			
34,00	34,20	8,00	S	710412★	32	32,00	32,20	8,00	S	19X32X8★	32
1,339	1,346	.315				1,260	1,268	.315			
34,80	35,00	8,00	S	*18X35X8★	32	32,00	32,20	8,00	S	221922★	32
1,370	1,378	.315				1,260	1,268	.315			
34,80	35,00	10,00	S	*18X35X10★	32	32,80	33,00	8,00	S	*19X33X8★	32
1,370	1,378	.394				1,291	1,299	.315			
35,00	35,18	7,00	S	18X35X7★	32	33,30	33,50	7,00	S	*19X33.5X7★	32
1,378	1,385	.276				1,311	1,319	.276			
35,00	35,20	8,00	V	*18X35X8V★	35	19,00mm (.748") SHAFT					
1,378	1,386	.315				-	-	.313		99076	Redi-Sleeve
36,00	36,20	7,00	S	*18X36X7★	32	-	-	.375		99075	Redi-Sleeve
1,417	1,425	.276				24,80	25,00	6,00	S	*19X25X6★	32
36,80	37,00	7,00	S	*18X37X7★	32	.976	.984	.236			
1,449	1,457	.276				26,80	27,00	5,00	S	*19X27X5★	32
37,00	37,20	8,00	S	18X37X8★	32	1,055	1,063	.197			
1,457	1,465	.315				26,80	27,00	10,00	S	*19X27X10★	32
37,80	38,00	10,00	S	*18X38X10★	32	1,055	1,063	.394			
1,488	1,496	.394				27,00	27,20	6,00	S	19X27X6★	35
38,00	38,20	7,00	S	18X38X7★	32	1,063	1,071	.236			
1,496	1,504	.276				27,80	28,00	7,00	S	*19X28X7★	32
39,80	40,00	10,00	S	*18X40X10★	32	1,094	1,102	.276			
1,567	1,575	.394				28,80	29,00	7,00	S	*19X29X7★	32

SIZE SECTION

For Illustration and Material Data See Technical Section
 # Designed For A Specific Application - Not Recommended For General Use ➔ Hydrodynamic Lip Design-CW & Flanged O.D. * Call 1-800-480-1212 For Price and Delivery
 ★ Metric Seal

Size Section

NATIONAL®



Hsg. Bore	Seal O.D.	Seal Width	Lip Mat'l	Part No.	Type/ Illus.	Hsg. Bore	Seal O.D.	Seal Width	Lip Mat'l	Part No.	Type/ Illus.
19,00mm (.748") SHAFT (cont.)						.750" (3/4") SHAFT (cont.)					
33.80	34.00	7.00	S	*19X34X7★	32	1.250	1.254	.250	N	*480954N	48
1.331	1.339	.276				1.250	1.254	.250	V	480954V	48
34.80	35.00	7.00	S	*19X35X7★	32	1.250	1.254	.250	S	712027	#
1.370	1.378	.276				1.250	1.254	.280	S	2287	274
34.80	35.00	8.00	S	*19X35X8★	32	1.250	1.254	.312	S	6835S	33
1.370	1.378	.315				1.250	1.254	.375	S	*410141	41
34.93	35.00	8.00	S	710445★	35	1.250	1.254	.375	S	*450141	45
1.375	1.378	.315				1.250	1.254	.375	V	*450141V	45
35.00	35.23	10.00	S	19X35X10★	32	1.250	1.254	.375	S	470141	47
1.378	1.387	.394				1.250	1.254	.375	S	*480141	48
35.00	35.23	10.00	S	710273★	35	1.250	1.254	.375	H	*480141H	48
1.378	1.387	.394				1.250	1.254	.375	S	712014	#
35.80	36.00	7.00	S	*19X36X7★	32	1.250	1.254	.437	S	*3075	282
1.409	1.417	.276				1.250	1.255	.275	S	*473571	47
36.00	36.23	6.50	S	221925★	35	1.250	1.256	.250	S	350954	35
1.417	1.426	.256				1.250	1.258	.312	S	350679	35
36.80	37.00	10.00	S	*19X37X10★	32	1.263	1.267	.250	S	*472129	47
1.449	1.457	.394				1.302	1.306	.250	S	474131	47
37.00	37.20	7.00	S	*19X37X7★	32	1.311	1.315	.312	S	*252450	25
1.457	1.465	.276				1.311	1.315	.312	S	7013S	25
37.80	38.00	8.00	S	*19X38X8★	32	1.312	1.316	.250	S	480821	48
1.488	1.496	.315				1.375	1.379	.250	S	40027S	4S
37.80	38.00	10.00	S	*19X38X10★	32	1.375	1.379	.250	S	471554	47
1.488	1.496	.394				1.375	1.379	.250	A	471554A	47
38.00	38.20	7.00	S	*19X38X7★	32	1.375	1.379	.250	N	*471554N	47
1.496	1.504	.276				1.375	1.379	.250	V	471554V	47
38.00	38.20	7.00	S	710154★	32	1.375	1.379	.250	S	*481554	48
1.496	1.504	.276				1.375	1.379	.250	N	*481554N	48
1.499	1.504	.312	S	*2855	#	1.375	1.379	.250	V	*481554V	48
39.80	40.00	7.00	S	*19X40X7★	32	1.375	1.379	.312	S	7028	25
1.567	1.575	.276				1.375	1.379	.312	V	*7028V	25
40.00	40.23	10.00	S	19X40X10★	35	1.375	1.379	.312	S	*410895	41
1.575	1.584	.394				1.375	1.379	.312	S	*450895	45
40.80	41.00	7.00	S	*19X41X7★	32	1.375	1.379	.312	V	*450895V	45
1.606	1.614	.276				1.375	1.379	.312	S	470895	47
42.00	42.20	7.00	S	*19X42X7★	32	1.375	1.379	.312	S	*480895	48
1.654	1.661	.276				1.375	1.379	.406	V	*50027	5L
45.00	45.20	7.00	S	*19X45X7★	32	1.375	1.379	.406	S	*410027	41
1.772	1.780	.276				1.375	1.379	.406	S	*450027	45
46.00	46.20	7.00	S	*19X46X7★	32	1.375	1.379	.406	H	*450027H	45
1.811	1.819	.276				1.375	1.379	.406	N	*450027N	45
47.00	47.20	7.00	S	19X47X7★	32	1.375	1.379	.406	S	470027	47
1.850	1.858	.276				1.375	1.379	.406	S	*480027	48
47.63	47.73	6.35	S	*43361★	4S	1.375	1.379	.406	H	*480027H	48
1.875	1.879	.250				1.375	1.379	.500	S	*73289S	7S
.750" (3/4") SHAFT						1.499	1.503	.250	S	471567	47
-	-	-	S	800200	VRS1	1.499	1.503	.250	S	*481567	48
-	-	-	V	800204	VRS1	1.499	1.503	.312	S	*411580	41
-	-	.313		99076	Redi-Sleeve	1.499	1.503	.312	S	*451580	45
-	-	.375		99075	Redi-Sleeve	1.499	1.503	.312	H	*451580H	45
.999	1.010	.156	S	240735	24	1.499	1.503	.312	S	*471580	47
1.000	1.004	.125	S	727410	44	1.499	1.503	.390	S	*481580	48
1.000	1.005	.125	S	312518	31	1.499	1.503	.390	S	*410028	41
1.000	1.005	.125	S	342518	34	1.499	1.503	.390	S	*450028	45
1.031	1.035	.313	S	7214	49	1.561	1.565	.375	S	*480028	48
1.062	1.072	.187	S	240816	24	1.561	1.565	.375	S	450340	45
1.124	1.128	.188	S	7750	48	1.561	1.565	.375	S	470340	47
1.124	1.129	.187	S	254270	25	1.561	1.565	.375	S	*480340	48
1.124	1.133	.250	S	340495	34	1.575	1.579	.312	S	471498	47
1.125	1.129	.250	S	1049	33	1.575	1.579	.312	H	*471498H	47
1.125	1.131	.156	S	343185	34	1.575	1.579	.375	S	*410580	41
1.187	1.191	.156	S	*313043	31	1.575	1.579	.375	S	*450580	45
1.250	1.254	.250	S	41389S	4S	1.624	1.628	.250	S	471643	47
1.250	1.254	.250	S	470954	47	1.624	1.628	.250	S	*481643	48
1.250	1.254	.250	A	470954A	47	1.624	1.628	.312	S	*411656	41
1.250	1.254	.250	H	*470954H	47	1.624	1.628	.312	S	*451656	45
1.250	1.254	.250	N	*470954N	47	1.624	1.628	.312	S	*471656	47
1.250	1.254	.250	V	470954V	47	1.624	1.628	.312	H	*471656H	47
1.250	1.254	.250	S	480954	48	1.624	1.628	.312	S	*481656	48
						1.624	1.628	.312	V	*481656V	48

For Illustration and Material Data See Technical Section

Designed For A Specific Application - Not Recommended For General Use * Call 1-800-480-1212 For Price and Delivery ★ Metric Seal

Hsg. Bore	Seal O.D.	Seal Width	Lip Mat'l	Part No.	Type/Illus.	Hsg. Bore	Seal O.D.	Seal Width	Lip Mat'l	Part No.	Type/Illus.
.750" (3/4") SHAFT (cont.)						.781" (25/32") SHAFT (cont.)					
1.624	1.628	.437	S	*410211	41	1.499	1.503	.250	S	*481568	48
1.624	1.628	.437	S	*450211	45	1.499	1.503	.312	S	*451581	45
1.624	1.628	.437	S	470211	47	1.499	1.503	.312	S	*471581	47
1.624	1.628	.437	S	*480211	48	1.499	1.503	.390	S	*450029	45
1.752	1.756	.250	S	*471684	47	1.499	1.503	.390	S	*470029	47
1.752	1.756	.250	S	*481684	48	1.624	1.628	.250	S	*481644	48
1.752	1.756	.312	S	*411698	41	1.624	1.628	.437	S	*470212	47
1.752	1.756	.312	S	471698	47	1.752	1.756	.312	S	*411337	41
1.752	1.756	.375	S	*481428	48	1.752	1.756	.312	S	471337	47
1.752	1.756	.437	S	*410222	41	1.752	1.756	.437	S	*450223	45
1.752	1.756	.437	S	*450222	45	1.752	1.756	.437	S	*470223	47
1.752	1.756	.437	S	*470222	47	1.828	1.832	.437	S	*450034	45
1.752	1.756	.437	S	*480222	48	1.828	1.832	.437	S	470034	47
1.783	1.787	.250	S	*473196	47	1.828	1.833	.250	S	*474273	47
1.828	1.832	.375	S	473406	47	1.850	1.854	.312	S	*482089	48
1.828	1.832	.437	S	*410033	41	1.850	1.854	.375	S	*472237	47
1.828	1.832	.437	S	*450033	45	1.874	1.878	.437	S	*451739	45
1.828	1.832	.437	S	470033	47	20,00mm (.787") SHAFT					
1.828	1.832	.437	S	*480033	48	-	-	-	S	800200	VRS1
1.874	1.878	.250	S	*470390	47	-	-	-	V	800204	VRS1
1.874	1.878	.250	N	*470390N	47	-	-	-	-	99078	Redi-Sleeve
1.874	1.878	.250	S	*480390	48	-	-	.313	-	-	-
1.874	1.878	.437	S	*410610	41	24.80	25.00	7.00	S	*20X25X7★	32
1.874	1.878	.437	S	*450610	45	.976	.984	.276	-	-	-
1.874	1.878	.437	S	*470610	47	25.80	26.00	4.00	S	*20X26X4★	32
1.874	1.878	.437	S	*480610	48	1.016	1.024	.157	-	-	-
1.983	1.987	.250	S	473407	47	25.80	26.00	5.00	S	*20X26X5★	32
1.983	1.987	.437	S	*411385	41	1.016	1.024	.197	-	-	-
1.983	1.987	.437	S	*451385	45	25.80	26.00	5.60	S	*20X26X5.6★	32
1.983	1.987	.437	S	*471385	47	1.016	1.024	.220	-	-	-
1.983	1.987	.437	S	*481385	48	26.00	26.20	4.00	S	710249★	97
2.047	2.051	.312	S	*472649	47	1.024	1.031	.157	-	-	-
2.127	2.131	.250	S	*472538	47	26.80	27.00	5.00	S	*20X27X5★	32
2.374	2.378	.375	S	*472361	47	1.055	1.063	.197	-	-	-
.762" SHAFT						27.80	28.00	4.00	S	*20X28X4★	32
-	-	-	S	800200	VRS1	1.094	1.102	.157	-	-	-
-	-	-	V	800204	VRS1	27.80	28.00	7.00	S	*20X28X7★	32
1.160	1.164	.250	S	8750S	33	1.094	1.102	.276	-	-	-
19,50mm (.768") SHAFT						28.00	28.20	6.00	S	20X28X6★	32
34.80	35.00	6.00	S	*19.5X35X6★	32	1.102	1.110	.236	-	-	-
1.370	1.378	.236	-	-	-	29.80	30.00	4.50	S	*20X30X4.5★	32
19,80mm (.780") SHAFT						1.173	1.181	.177	-	-	-
29.80	30.00	5.00	S	*19.8X30X5★	32	29.80	30.00	5.50	S	*20X30X5.5★	32
1.173	1.181	.197	-	-	-	1.173	1.181	.217	-	-	-
.781" (25/32") SHAFT						29.80	30.00	6.00	S	*20X30X6★	32
-	-	-	S	800200	VRS1	1.173	1.181	.236	-	-	-
-	-	-	V	800204	VRS1	29.80	30.00	9.00	S	*20X30X9★	32
-	-	.313	S	*99080	Redi-Sleeve	1.173	1.181	.354	-	-	-
1.250	1.254	.250	S	*470601	47	29.80	30.00	10.00	S	*20X30X10★	32
1.250	1.254	.250	S	*480601	48	1.173	1.181	.394	-	-	-
1.250	1.254	.375	S	*471540	47	30.00	30.20	5.00	S	20X30X5★	35
1.250	1.254	.375	V	471540V	47	1.181	1.189	.197	-	-	-
1.375	1.379	.250	V	481443V	48	30.00	30.28	7.00	S	*20X30X5V★	35
1.375	1.379	.250	S	471443	47	1.181	1.192	.276	-	-	-
1.375	1.379	.250	N	*471443N	47	30.00	30.28	7.00	S	20X30X7★	35
1.375	1.379	.250	S	*481443	48	1.181	1.192	.276	-	-	-
1.375	1.379	.312	S	*451560	45	30.80	31.00	5.00	S	*20X31X5★	32
1.375	1.379	.312	N	*451560N	45	1.212	1.220	.197	-	-	-
1.375	1.379	.312	S	*471560	47	31.00	31.20	7.00	S	*20X31X7★	32
1.375	1.379	.406	S	*410203	41	1.220	1.228	.276	-	-	-
1.375	1.379	.406	S	*450203	45	31.80	32.00	5.00	S	*20X32X5★	32
1.375	1.379	.406	S	*470203	47	1.252	1.260	.197	-	-	-
1.378	1.382	.406	S	*451031	45	31.80	32.00	6.00	S	*20X32X6★	32
1.378	1.382	.406	S	*471031	47	1.252	1.260	.236	-	-	-
						31.80	32.00	7.50	S	*20X32X7.5★	32
						1.252	1.260	.295	-	-	-

SIZE SECTION

For Illustration and Material Data See Technical Section
 * Call 1-800-480-1212 For Price and Delivery * Metric Seal

Size Section

NATIONAL®



Hsg. Bore	Seal O.D.	Seal Width	Lip Mat'l	Part No.	Type/ Illus.	Hsg. Bore	Seal O.D.	Seal Width	Lip Mat'l	Part No.	Type/ Illus.
20,00mm (.787") SHAFT (cont.)						20,00mm (.787") SHAFT (cont.)					
31,80	32,00	8,00	S	*20X32X8★	32	40,00	40,23	7,00	S	20X40X7★	32
1,252	1,260	.315				1,575	1,584	.276			
31,80	32,00	10,00	S	*20X32X10★	32	40,00	40,23	10,00	S	20X40X10★	35
1,252	1,260	.394				1,575	1,584	.394			
32,00	32,21	5,00	N	710450★	32	41,05	41,25	7,00	S	*20X41.25X7★	32
1,260	1,268	.197				1,616	1,624	.276			
32,00	32,23	7,00	S	222020★	35	41,80	42,00	6,00	S	*20X42X6★	32
1,260	1,269	.276				1,646	1,654	.236			
32,00	32,23	7,00	S	20X32X7★	32	41,80	42,00	8,00	S	*20X42X8★	32
1,260	1,269	.276				1,646	1,654	.315			
32,80	33,00	7,00	S	*20X33X7★	32	42,00	42,15	10,00	S	20X42X10★	45
1,291	1,299	.276				1,654	1,659	.394			
32,80	33,00	10,00	S	*20X33X10★	32	42,00	42,25	7,00	S	20X42X7★	32
1,291	1,299	.394				1,654	1,663	.276			
33,80	34,00	7,00	S	*20X34X7★	32	42,00	42,25	7,00	V	*20X42X7V★	35
1,331	1,339	.276				1,654	1,663	.276			
34,00	34,25	7,00	S	222028★	32	43,80	44,00	7,00	S	*20X44X7★	32
1,339	1,348	.276				1,724	1,732	.276			
34,80	35,00	6,00	S	*20X35X6★	32	44,80	45,00	7,00	S	*20X45X7★	32
1,370	1,378	.236				1,764	1,772	.276			
34,80	35,00	8,00	S	*20X35X8★	32	44,80	45,00	8,00	S	*20X45X8★	32
1,370	1,378	.315				1,764	1,772	.315			
34,80	35,00	10,00	S	*20X35X10★	32	44,80	45,00	10,00	S	*20X45X10★	32
1,370	1,378	.394				1,764	1,772	.394			
35,00	35,20	7,00	V	*710280★	32	44,80	45,00	12,00	S	*20X45X12★	32
1,378	1,386	.276				1,764	1,772	.472			
35,00	35,23	5,50	S	222030★	32	45,80	46,00	8,00	S	*20X46X8★	32
1,378	1,387	.217				1,803	1,811	.315			
35,00	35,23	7,00	S	20X35X7★	32	46,00	46,20	7,00	S	*20X46X7★	32
1,378	1,387	.276				1,811	1,819	.276			
35,80	36,00	8,00	S	*20X36X8★	32	46,80	47,00	6,00	S	*20X47X6★	32
1,409	1,417	.315				1,842	1,850	.236			
35,80	36,00	10,00	S	*20X36X10★	32	46,80	47,00	8,00	S	*20X47X8★	32
1,409	1,417	.394				1,842	1,850	.315			
35,80	36,00	12,00	S	*20X36X12★	32	46,80	47,00	9,00	S	*20X47X9★	32
1,409	1,417	.472				1,842	1,850	.354			
36,00	36,20	7,00	S	20X36X7★	32	46,80	47,00	10,00	S	*20X47X10★	32
1,417	1,425	.276				1,842	1,850	.394			
36,00	36,20	7,00	V	222036★	32	46,80	47,00	12,00	S	*20X47X12★	32
1,417	1,425	.276				1,842	1,850	.472			
36,80	37,00	6,00	S	*20X37X6★	32	46,80	47,00	13,00	S	*20X47X13★	32
1,449	1,457	.236				1,842	1,850	.512			
36,80	37,00	10,00	S	*20X37X10★	32	47,00	47,20	7,00	V	*20X47X7V★	35
1,449	1,457	.394				1,850	1,858	.276			
37,00	37,20	7,00	S	20X37X7★	32	47,00	47,20	7,00	S	222060★	35
1,457	1,465	.276				1,850	1,858	.276			
37,00	37,20	8,00	S	20X37X8★	32	47,00	47,20	8,50	S	710342★	32
1,457	1,465	.315				1,850	1,858	.335			
37,50	37,70	7,00	S	*20X37.7X7★	32	47,00	47,22	7,00	S	20X47X7★	32
1,476	1,484	.276				1,850	1,859	.276			
37,80	38,00	5,00	S	*20X38X5★	32	47,80	48,00	8,00	S	*20X48X8★	32
1,488	1,496	.197				1,882	1,890	.315			
37,80	38,00	8,00	S	*20X38X8★	32	47,80	48,00	10,00	S	*20X48X10★	32
1,488	1,496	.315				1,882	1,890	.394			
37,80	38,00	10,00	S	*20X38X10★	32	48,00	48,20	7,00	S	*20X48X7★	32
1,488	1,496	.394				1,890	1,898	.276			
38,00	38,20	7,00	S	20X38X7★	32	48,80	49,00	7,00	S	*20X49X7★	32
1,496	1,504	.276				1,921	1,929	.276			
38,80	39,00	6,00	S	*20X39X6★	32	49,80	50,00	8,00	S	*20X50X8★	32
1,527	1,535	.236				1,961	1,969	.315			
39,60	39,80	6,50	S	*20X39.8X6.5★	32	49,80	50,00	10,00	S	*20X50X10★	32
1,559	1,567	.256				1,961	1,969	.394			
39,80	40,00	8,00	S	*20X40X8★	32	50,00	50,20	7,00	S	*20X50X7★	32
1,567	1,575	.315				1,969	1,976	.276			
39,80	40,00	9,00	S	*20X40X9★	32	51,75	52,00	8,00	S	*20X52X8★	32
1,567	1,575	.354				2,037	2,047	.315			
39,80	40,00	12,00	S	*20X40X12★	32	51,75	52,00	9,00	S	*20X52X9★	32
1,567	1,575	.472				2,037	2,047	.354			
40,00	40,20	7,00	V	*20X40X7V★	32	51,75	52,00	10,00	S	*20X52X10★	32
1,575	1,583	.276				2,037	2,047	.394			
40,00	40,23	7,00	S	222050★	35	51,75	52,00	12,00	S	*20X52X12★	32
1,575	1,584	.276				2,037	2,047	.472			

For Illustration and Material Data See Technical Section

★ Hydrodynamic Lip Design-CW ◀ Hydrodynamic Lip Design-CCW * Call 1-800-480-1212 For Price and Delivery ★ Metric Seal

Hsg. Bore	Seal O.D.	Seal Width	Lip Mat'l	Part No.	Type/Illus.	Hsg. Bore	Seal O.D.	Seal Width	Lip Mat'l	Part No.	Type/Illus.
20,00mm (.787") SHAFT (cont.)						21,00mm (.827") SHAFT (cont.)					
52.00	52.20	7.00	S	20X52X7★	32	36.80	37.00	5.50	S	*21X37X5.5★	32
2.047	2.055	.276				1.449	1.457	.217			
.796" SHAFT						.843" (27/32") SHAFT					
—	—	—	S	800200	VRS1	—	—	—	S	800220	VRS1
—	—	—	V	800204	VRS1	—	—	—	V	800224	VRS1
1.250	1.254	.375	S	*451470	45	1.374	1.378	.312	S	*472452	47
1.499	1.503	.625	S	6357S	92	1.499	1.503	.250	S	473413	47
.812" (13/16") SHAFT						.860" SHAFT					
—	—	—	S	800200	VRS1	—	—	—	S	800220	VRS1
—	—	—	V	800204	VRS1	—	—	—	V	800224	VRS1
1.250	1.254	.250	S	*471539	47	—	—	.250	S	*99086	Redi-Sleeve
1.250	1.254	.250	S	*481539	48	1.437	1.441	.250	N	482069N	48
1.250	1.254	.254	S	8609	47	.864" SHAFT					
1.250	1.254	.375	S	450431	45	—	—	—	S	800220	VRS1
1.312	1.316	.250	S	*480889	48	—	—	—	V	800224	VRS1
1.312	1.316	.250	H	*480889H	48	—	—	.315	S	*99085	Redi-Sleeve
1.367	1.372	.312	S	*252317	25	1.375	1.379	.250	S	*472065	47
1.375	1.379	.250	S	*480673	48	1.375	1.379	.250	N	*472065N	47
1.375	1.379	.312	V	471231V	47	22,00mm (.866") SHAFT					
1.375	1.379	.312	S	*471231	47	—	—	—	S	800220	VRS1
1.375	1.379	.406	S	*450204	45	—	—	—	V	800224	VRS1
1.375	1.379	.406	N	*450204N	45	—	—	.315	S	*99085	Redi-Sleeve
1.375	1.379	.406	S	470204	47	28.00	28.20	8.00	S	*22X28X8★	32
1.375	1.379	.406	S	*480204	48	1.102	1.110	.315			
1.375	1.381	.250	S	353131	35	29.80	30.00	7.00	S	*22X30X7★	32
1.499	1.503	.250	S	*474253	47	1.173	1.181	.276			
1.499	1.503	.312	S	*450592	45	29.80	30.00	8.00	S	*22X30X8★	32
1.499	1.503	.312	N	*450592N	45	1.173	1.181	.315			
1.499	1.503	.312	S	470592	47	30.80	31.00	7.00	S	*22X31X7★	32
1.499	1.503	.390	S	450030	45	1.212	1.220	.276			
1.499	1.503	.390	N	*450030N	45	31.00	31.20	6.00	S	22X31X6★	32
1.499	1.503	.390	S	*480030	48	1.220	1.228	.236			
1.561	1.565	.375	S	*450515	45	31.00	31.20	8.00	S	*22X31X8★	32
1.561	1.565	.375	S	470515	47	1.220	1.228	.315			
1.561	1.565	.375	S	*480515	48	31.80	32.00	5.00	S	*22X32X5★	32
1.575	1.579	.375	S	*450588	45	1.252	1.260	.197			
1.575	1.579	.375	S	470588	47	31.80	32.00	6.00	S	*22X32X6★	32
1.624	1.628	.250	S	*471645	47	1.252	1.260	.236			
1.624	1.628	.250	V	*471645V	47	21,00mm (.827") SHAFT					
1.624	1.628	.437	S	*450213	45	—	—	—	S	800200	VRS1
1.624	1.628	.437	S	*480213	48	—	—	—	V	800204	VRS1
1.750	1.754	.312	S	*472650	47	30.80	31.00	7.00	S	*21X31X7★	32
1.752	1.756	.250	S	471686	47	1.212	1.220	.276			
1.752	1.756	.437	S	*450224	45	31.80	32.00	5.00	S	*21X32X5★	32
1.752	1.756	.437	S	*480224	48	1.252	1.260	.197			
1.828	1.832	.375	S	473412	47	32.80	33.00	7.00	S	*21X33X7★	32
1.828	1.832	.437	S	*450035	45	1.291	1.299	.276			
1.828	1.832	.437	S	*480035	48	35.00	35.20	7.00	S	21X35X7★	32
1.874	1.878	.250	S	471729	47	1.378	1.386	.276			
1.874	1.878	.437	S	*450591	45	35.00	35.20	8.00	S	21X35X8★	32
1.874	1.878	.437	S	*480591	48	1.378	1.386	.315			
2.441	2.445	.375	S	*472950	47	36.00	36.20	8.00	S	*21X36X8★	32
—	—	—	S	800200	VRS1	1.417	1.425	.315			
—	—	—	V	800204	VRS1						

SIZE SECTION

For Illustration and Material Data See Technical Section
 * Call 1-800-480-1212 For Price and Delivery ★ Metric Seal

Size Section

NATIONAL®

Hsg. Bore	Seal O.D.	Seal Width	Lip Mat'l	Part No.	Type/ Illus.	Hsg. Bore	Seal O.D.	Seal Width	Lip Mat'l	Part No.	Type/ Illus.
22,00mm (.866") SHAFT (cont.)						22,00mm (.866") SHAFT (cont.)					
32,00	32,20	7,00	V	*22X32X7V★	35	41,80	42,00	6,00	S	*22X42X6★	32
1,260	1,268	.276				1,646	1,654	.236			
32,00	32,23	7,00	S	222210★	35	41,80	42,00	11,00	S	*22X42X11★	32
1,260	1,269	.276				1,646	1,654	.433			
32,00	32,23	7,00	S	22X32X7★	32	42,00	42,20	7,00	S	22X42X7★	32
1,260	1,269	.276				1,654	1,661	.276			
32,80	33,00	7,00	S	*22X33X7★	32	42,00	42,20	10,00	S	22X42X10★	35
1,291	1,299	.276				1,654	1,661	.394			
32,80	33,00	10,00	S	*22X33X10★	32	43,80	44,00	7,00	S	*22X44X7★	32
1,291	1,299	.394				1,724	1,732	.276			
33,80	34,00	7,00	S	*22X34X7★	32	44,80	45,00	5,00	S	*22X45X5★	32
1,331	1,339	.276				1,764	1,772	.197			
34,80	35,00	5,00	S	*22X35X5★	32	44,80	45,00	8,00	S	*22X45X8★	32
1,370	1,378	.197				1,764	1,772	.315			
34,80	35,00	8,00	S	*22X35X8★	32	44,80	45,00	10,00	S	*22X45X10★	32
1,370	1,378	.315				1,764	1,772	.394			
34,80	35,00	9,00	S	*22X35X9★	32	45,00	45,20	8,00	H	222267★◄	32
1,370	1,378	.354				1,772	1,780	.315			
34,80	35,00	10,00	S	*22X35X10★	32	45,00	45,23	7,00	S	22X45X7★	35
1,370	1,378	.394				1,772	1,781	.276			
35,00	35,20	7,00	V	*22X35X7V★	35	46,00	46,20	8,00	S	*22X46X8★	32
1,378	1,386	.276				1,811	1,819	.315			
35,00	35,23	7,00	S	222220★	32	46,80	47,00	10,00	S	*22X47X10★	32
1,378	1,387	.276				1,842	1,850	.394			
35,00	35,23	7,00	S	22X35X7★	32	47,00	47,23	7,00	S	222270★	35
1,378	1,387	.276				1,850	1,859	.276			
35,80	36,00	8,00	S	*22X36X8★	32	47,00	47,23	7,00	S	22X47X7★	32
1,409	1,417	.315				1,850	1,859	.276			
35,80	36,00	10,00	S	*22X36X10★	32	47,80	48,00	7,00	S	*22X48X7★	32
1,409	1,417	.394				1,882	1,890	.276			
36,00	36,20	7,00	S	22X36X7★	32	47,80	48,00	11,00	S	*22X48X11★	32
1,417	1,425	.276				1,882	1,890	.433			
36,80	37,00	6,00	S	*22X37X6★	32	48,00	48,20	8,00	S	*22X48X8★	32
1,449	1,457	.236				1,890	1,898	.315			
37,00	37,23	7,00	S	22X37X7★	35	49,80	50,00	5,00	S	*22X50X5★	32
1,457	1,466	.276				1,961	1,969	.197			
38,00	38,20	7,00	S	22X38X7★	35	49,80	50,00	10,00	S	*22X50X10★	32
1,496	1,504	.276				1,961	1,969	.394			
38,00	38,20	7,00	V	*22X38X7V★	35	50,00	50,20	8,00	S	*22X50X8★	32
1,496	1,504	.276				1,969	1,976	.315			
38,00	38,20	8,00	S	22X38X8★	32	51,75	52,00	10,00	S	*22X52X10★	32
1,496	1,504	.315				2,037	2,047	.394			
38,00	38,20	8,00	S	222238★	32	52,00	52,20	8,00	S	*22X52X8★	32
1,496	1,504	.315				2,047	2,055	.315			
38,80	39,00	7,00	S	*22X39X7★	32	55,75	56,00	7,00	S	*22X56X7★	32
1,527	1,535	.276				2,195	2,205	.276			
39,80	40,00	4,00	S	*22X40X4★	32	.875" (7/8") SHAFT					
1,567	1,575	.157				-	-	-	S	800220	VRS1
39,80	40,00	10,00	S	*22X40X10★	32	-	-	-	V	800224	VRS1
1,567	1,575	.394				-	-	.313	99087	Redi-Sleeve	
39,80	40,00	11,00	S	*22X40X11★	32	1,124	1,135	.125	S	240733	24
1,567	1,575	.433				1,187	1,191	.185	S	*442168	44
39,80	40,00	12,00	S	*22X40X12★	32	1,187	1,193	.187	S	340850	34
1,567	1,575	.472				1,245	1,256	.187	S	5976S	34
40,00	40,18	16,00	S	*1163★	#	1,249	1,254	.187	S	7840S	31
1,575	1,582	.630				1,250	1,254	.250	S	42280S	4S
40,00	40,20	7,00	V	*22X40X7V★	32	1.250	1.255	.250	S	254287	25
1,575	1,583	.276				1,250	1,255	.250	V	*254287V	25
40,00	40,20	8,00	S	22X40X8★	35	1,250	1,256	.250	S	340483	34
1,575	1,583	.315				1,254	1,260	.205	S	7014S	4S
40,00	40,23	7,00	S	22X40X7★	32	1,260	1,265	.250	V	*250861V	25
1,575	1,584	.276				1,308	1,314	.250	S	353132	35
40,00	40,23	7,00	S	222240★	35	1,308	1,316	.250	S	340413	34
1,575	1,584	.276				1,374	1,378	.406	S	470398	47
40,00	40,23	12,00	N	222242★	32	1,374	1,379	.406	S	*410398	41
1,575	1,584	.472				1,374	1,379	.406	S	*450398	45
40,00	40,34	7,75	N	1963★►	35	1,375	1,379	.187	S	440131	44
1,575	1,588	.305				1,375	1,379	.250	S	*441267	44
41,05	41,25	6,00	S	*22X41.25X6★	32	1,375	1,379	.250	S	41267S	4S
1,616	1,624	.236				1.375	1.379	.250	S	471267	47
41,30	41,50	6,00	S	*22X41.5X6★	32						
1,626	1,634	.236									

For Illustration and Material Data See Technical Section

Designed For A Specific Application - Not Recommended For General Use ◄ Hydrodynamic Lip Design-CW ◀ Hydrodynamic Lip Design-CCW

* Call 1-800-480-1212 For Price and Delivery ★ Metric Seal

Hsg. Bore	Seal O.D.	Seal Width	Lip Mat'l	Part No.	Type/Illus.	Hsg. Bore	Seal O.D.	Seal Width	Lip Mat'l	Part No.	Type/Illus.
.875" (7/8") SHAFT (cont.)						.875" (7/8") SHAFT (cont.)					
1.375	1.379	.250	A	471267A	47	1.752	1.756	.312	S	*481700	48
1.375	1.379	.250	H	*471267H	47	1.752	1.756	.437	S	*450226	45
1.375	1.379	.250	T	*471267T	47	1.752	1.756	.437	S	*470226	47
1.375	1.379	.250	V	471267V	47	1.752	1.756	.437	S	*480226	48
1.375	1.379	.250	S	*481267	48	1.828	1.832	.375	S	*471137	47
1.375	1.379	.250	H	*481267H	48	1.828	1.832	.375	S	*481137	48
1.375	1.379	.250	N	*481267N	48	1.828	1.832	.437	S	*410037	41
1.375	1.379	.250	V	712015	#	1.828	1.832	.437	S	*450037	45
1.375	1.379	.312	T	38832➔	94	1.828	1.832	.437	N	*450037N	45
1.375	1.379	.312	S	*410567	41	1.828	1.832	.437	S	*470037	47
1.375	1.379	.312	S	*450567	45	1.828	1.832	.437	S	*480037	48
1.375	1.379	.312	H	*450567H	45	1.874	1.878	.250	S	471730	47
1.375	1.379	.312	N	*450567N	45	1.874	1.878	.250	H	*481730H	48
1.375	1.379	.312	V	*450567V	45	1.874	1.878	.437	S	*410424	41
1.375	1.379	.312	S	470567	45	1.874	1.878	.437	S	*450424	45
1.375	1.379	.312	H	*470567H	47	1.874	1.878	.437	S	*470424	47
1.375	1.379	.312	N	470567N	47	1.874	1.878	.437	S	*480424	48
1.375	1.379	.312	V	*470567V	47	1.874	1.878	.437	N	*480424N	48
1.375	1.379	.312	S	*480567	48	1.983	1.987	.250	S	*481741	48
1.375	1.379	.312	N	*480567N	48	2.000	2.004	.437	S	*450645	45
1.375	1.379	.375	V	*712147	43	2.000	2.004	.437	S	470645	47
1.375	1.381	.250	S	321267	32	23,00mm (.905") SHAFT					
1.375	1.381	.250	S	351267	35	-	-	-	S	800220	VRS1
1.375	1.383	.312	S	*320567	32	-	-	-	V	800224	VRS1
1.375	1.385	.312	S	350567	35	31,80	32,00	5,50	S	710254★	34
1.436	1.441	.256	S	712270	48	1.252	1.260	.217			
1.499	1.503	.250	S	*40032S	4S	32,00	32,20	5,00	S	222310★	34
1.499	1.503	.250	S	471570	47	1.260	1.268	.197			
1.499	1.503	.250	V	471570V	47	34,00	34,23	6,50	S	710155★	35
1.499	1.503	.250	S	*481570	48	1.339	1.348	.256			
1.499	1.503	.250	V	*481570V	48	34,00	34,23	8,00	N	222330★◀	32
1.499	1.503	.312	S	*410680	41	1.339	1.348	.315			
1.499	1.503	.312	N	*410680N	41	40,00	40,23	7,00	N	222340★➔	32
1.499	1.503	.312	S	*450680	45	1.575	1.584	.276			
1.499	1.503	.312	H	*450680H	45	.906" (29/32") SHAFT					
1.499	1.503	.312	V	*450680V	45	-	-	-	S	800220	VRS1
1.499	1.503	.312	S	470680	47	-	-	-	V	800224	VRS1
1.499	1.503	.312	S	*480680	48	23,00mm (.906") SHAFT					
1.499	1.503	.390	S	*410032	41	31,80	32,00	7,00	S	*23X32X7★	32
1.499	1.503	.390	S	*450032	45	1.252	1.260	.276			
1.499	1.503	.390	N	*450032N	45	34,80	35,00	7,00	S	*23X35X7★	32
1.499	1.503	.390	S	470032	47	1.370	1.378	.276			
1.499	1.503	.390	S	*480032	48	35,80	36,00	6,00	S	*23X36X6★	32
1.573	1.577	.250	N	*483011N	48	1.409	1.417	.236			
1.575	1.579	.250	S	*470877	47	35,80	36,00	7,00	S	*23X36X7★	32
1.575	1.579	.375	S	*410781	41	1.409	1.417	.276			
1.575	1.579	.375	S	*450781	45	35,80	36,00	10,00	S	*23X36X10★	32
1.575	1.581	.250	S	350877	35	1.409	1.417	.394			
1.575	1.584	.669	N	*4026	#	35,80	36,00	13,00	S	*23X36X13★	32
1.575	1.750	.281	F	*6385	29	1.409	1.417	.512			
1.577	1.581	.250	S	471633	47	36,80	37,00	7,00	S	*23X37X7★	32
1.577	1.581	.250	N	*471633N	47	1.449	1.457	.276			
1.577	1.581	.250	S	*481633	48	37,80	38,00	7,00	S	*23X38X7★	32
1.624	1.628	.250	S	471646	47	1.488	1.496	.276			
1.624	1.628	.250	S	*481646	48	.906" (29/32") SHAFT					
1.624	1.628	.312	S	*411659	41	1.499	1.503	.390	S	470207	47
1.624	1.628	.312	S	*451659	45	23,00mm (.906") SHAFT					
1.624	1.628	.312	S	*471659	47	39,80	40,00	6,00	S	*23X40X6★	32
1.624	1.628	.312	S	*481659	48	1.567	1.575	.236			
1.624	1.628	.437	S	*410215	41	39,80	40,00	10,00	S	*23X40X10★	32
1.624	1.628	.437	S	*450215	45	1.567	1.575	.394			
1.624	1.628	.437	S	470215	47	23,00mm (.906") SHAFT					
1.624	1.628	.437	S	*480215	48	39,80	40,00	6,00	S	*23X40X6★	32
1.624	1.630	.250	S	351646	35	1.567	1.575	.236			
1.624	1.634	.187	S	240215	24	39,80	40,00	10,00	S	*23X40X10★	32
1.689	1.690	.250	S	*481674	48	1.567	1.575	.394			
1.750	1.754	.312	V	*473285V	47	23,00mm (.906") SHAFT					
1.752	1.756	.250	S	470590	47	39,80	40,00	6,00	S	*23X40X6★	32
1.752	1.756	.250	S	*480590	48	1.567	1.575	.236			
1.752	1.756	.312	S	*411700	41	39,80	40,00	10,00	S	*23X40X10★	32
1.752	1.756	.312	S	*451700	45	1.567	1.575	.394			
1.752	1.756	.312	S	*471700	47	23,00mm (.906") SHAFT					

SIZE SECTION

For Illustration and Material Data See Technical Section
 # Designed For A Specific Application - Not Recommended For General Use ➔ Hydrodynamic Lip Design-CW ◀ Hydrodynamic Lip Design-CCW
 * Call 1-800-480-1212 For Price and Delivery ★ Metric Seal

Size Section

NATIONAL®

Hsg. Bore	Seal O.D.	Seal Width	Lip Mat'l	Part No.	Type/ Illus.	Hsg. Bore	Seal O.D.	Seal Width	Lip Mat'l	Part No.	Type/ Illus.
.906" (29/32") SHAFT						24,00mm (.945") SHAFT (cont.)					
1.625	1.629	.312	S	*482371	48	35.00	35.23	7.00	S	222410★	35
23,00mm (.906") SHAFT											
41.80	42.00	7.00	S	*23X42X7★	32	35.00	35.23	7.00	S	24X35X7★	32
1.646	1.654	.276				1.378	1.387	.276			
42.80	43.00	8.00	S	*23X43X8★	32	35.80	36.00	7.00	S	*24X36X7★	32
1.685	1.693	.315				1.409	1.417	.276			
.906" (29/32") SHAFT											
1.828	1.832	.437	S	450038	45	35.80	36.00	8.00	S	*24X36X8★	32
23,00mm (.906") SHAFT											
46.80	47.00	7.00	S	*23X47X7★	32	1.409	1.417	.315			
1.842	1.850	.276				36.00	36.20	7.00	V	*24X36X7V★	35
46.80	47.00	8.00	S	*23X47X8★	32	1.417	1.425	.276			
1.842	1.850	.315				37.00	37.23	7.00	S	24X37X7★	35
46.80	47.00	10.00	S	*23X47X10★	32	1.457	1.466	.276			
1.842	1.850	.394				37.80	38.00	8.00	S	*24X38X8★	32
.937" (15/16") SHAFT											
—	—	—	S	800220	VRS1	1.488	1.496	.315			
—	—	—	V	800224	VRS1	37.80	38.00	8.50	S	*24X38X8.5★	32
1.375	1.379	.312	S	471015	47	1.488	1.496	.335			
1.375	1.383	.250	S	340787	34	37.80	38.00	10.00	S	*24X38X10★	32
1.375	1.383	.250	N	*340787N	34	1.488	1.496	.394			
1.497	1.501	.390	S	*481047	48	38.00	38.20	7.00	S	24X38X7★	32
1.499	1.503	.250	V	471571V	47	1.496	1.504	.276			
1.499	1.503	.250	S	471571	47	39.80	40.00	8.00	S	*24X40X8★	32
1.499	1.503	.250	V	471571V	47	1.567	1.575	.315			
1.499	1.503	.250	S	*481571	48	40.00	40.20	6.00	V	*24X40X6V★	35
1.499	1.503	.250	V	481571V	48	1.575	1.583	.236			
1.499	1.503	.390	S	*450184	45	40.00	40.23	7.00	S	222430★	35
1.499	1.503	.390	S	*480184	48	1.575	1.584	.276			
1.499	1.504	.312	S	*411582	41	40.00	40.23	7.00	S	24X40X7★	32
1.499	1.504	.312	S	*451582	45	1.575	1.584	.276			
1.499	1.504	.312	S	*481582	48	42.00	42.20	7.00	S	24X42X7★	32
1.624	1.628	.250	S	471647	47	1.654	1.661	.276			
1.624	1.628	.250	S	*481647	48	42.00	42.25	8.00	S	*24X42X8★	35
1.624	1.628	.312	S	*451660	45	1.654	1.663	.315			
1.624	1.628	.312	S	*471660	47	42.00	42.25	10.00	S	24X42X10★	32
1.624	1.628	.437	S	*450217	45	1.654	1.663	.394			
1.624	1.628	.437	V	*450217V	45	42.80	43.00	6.00	S	*24X43X6★	32
1.624	1.628	.437	S	*480217	48	1.685	1.693	.236			
1.750	1.754	.312	S	472951	47	42.80	43.00	7.00	S	*24X43X7★	32
1.752	1.756	.250	S	474252	47	1.685	1.693	.276			
1.752	1.756	.312	S	*451701	45	43.00	43.23	8.00	S	222450★	25
1.752	1.756	.437	S	*450228	45	1.693	1.702	.315			
1.752	1.756	.437	S	*480228	48	44.80	45.00	6.00	S	*24X45X6★	32
1.828	1.832	.437	S	450039	45	1.764	1.772	.236			
1.828	1.832	.437	S	470039	47	44.80	45.00	7.00	S	*24X45X7★	32
1.828	1.832	.437	S	*480039	48	1.764	1.772	.276			
1.850	1.854	.312	S	474235	47	44.80	45.00	11.00	S	*24X45X11★	32
24,00mm (.945") SHAFT											
—	—	—	S	800220	VRS1	1.764	1.772	.433			
—	—	—	V	800224	VRS1	45.00	45.20	8.00	S	*24X45X8★	32
31.80	32.00	4.00	S	*24X32X4★	32	1.772	1.780	.315			
1.252	1.260	.157				45.80	46.00	10.00	S	*24X46X10★	32
31.80	32.00	7.00	S	*24X32X7★	32	1.803	1.811	.394			
1.252	1.260	.276				46.00	46.20	8.00	S	*24X46X8★	32
32.80	33.00	7.00	S	*24X33X7★	32	1.811	1.819	.315			
1.291	1.299	.276				46.80	47.00	10.00	S	*24X47X10★	32
33.80	34.00	7.00	S	*24X34X7★	32	1.842	1.850	.394			
1.331	1.339	.276				47.00	47.23	7.00	S	24X47X7★	32
34.80	35.00	6.00	S	*24X35X6★	32	1.850	1.859	.276			
1.370	1.378	.236				47.80	48.00	7.00	S	*24X48X7★	32
34.80	35.00	8.00	S	*24X35X8★	32	1.882	1.890	.276			
1.370	1.378	.315				48.00	48.20	8.00	S	*24X48X8★	32
.968" (31/32") SHAFT											
—	—	—	S	800250	VRS1	1.890	1.898	.315			

For Illustration and Material Data See Technical Section
 * Call 1-800-480-1212 For Price and Delivery ★ Metric Seal

Hsg. Bore	Seal O.D.	Seal Width	Lip Mat'l	Part No.	Type/Illus.	Hsg. Bore	Seal O.D.	Seal Width	Lip Mat'l	Part No.	Type/Illus.
.968" (31/32") SHAFT (cont.)						25,00mm (.984") SHAFT (cont.)					
-	-	-	S	800251	VRS2	34,80	35,00	10,00	S	*25X35X10★	32
-	-	-	V	800254	VRS1	1,370	1,378	.394			
-	-	.313		99094	Redi-Sleeve	35,00	35,10	7,00	V	*25X35X7V★	48
-	-	.625		99096	Redi-Sleeve	1,378	1,382	.276			
1,499	1,503	.250	L	40208	4L	35,00	35,20	6,00	S	25X35X6★	32
1,499	1,503	.250	S	*481572	48	1,378	1,386	.236			
1,499	1,503	.250	V	*481572V	48	35,00	35,25	7,00	S	25X35X7★	35
1,499	1,503	.312	V	451583V	45	1,378	1,388	.276			
1,499	1,503	.312	S	451583	45	35,00	35,25	7,00	S	222510★	35
1,499	1,503	.312	S	*481583	48	1,378	1,388	.276			
1,499	1,503	.390	S	*450208	45	35,00	35,25	7,00	V	712007★	32
1,499	1,503	.390	S	*480208	48	1,378	1,388	.276			
1,500	1,507	.187	S	6324S	34	35,80	36,00	6,00	S	*25X36X6★	32
1,575	1,579	.375	S	450545	45	1,409	1,417	.236			
1,624	1,628	.250	S	471648	47	36,00	36,23	7,00	S	25X36X7★	32
1,624	1,628	.250	S	*481648	48	1,417	1,426	.276			
1,624	1,628	.437	S	*450218	45	36,00	36,22	8,00	S	25X36X8★	32
1,624	1,628	.437	N	*450218N	45	1,417	1,426	.315			
1,686	1,690	.312	S	8059S	25	36,80	37,00	5,00	S	*25X37X5★	32
1,750	1,754	.375	S	*452582	45	1,449	1,457	.197			
1,750	1,754	.375	S	*482582	48	36,80	37,00	6,00	S	*25X37X6★	32
1,750	1,754	.437	S	*452132	45	1,449	1,457	.315			
1,752	1,756	.250	S	471688	47	36,80	37,00	8,00	S	*25X37X8★	32
1,752	1,756	.250	S	*481688	48	1,449	1,457	.315			
1,752	1,756	.250	N	*481688N	48	37,00	37,20	5,00	V	*25X37X5V★	35
1,752	1,756	.312	S	*471702	47	1,457	1,465	.197			
1,752	1,756	.312	S	*481702	48	37,00	37,20	7,00	S	25X37X7★	32
1,752	1,756	.437	S	*450229	45	1,457	1,465	.276			
1,828	1,832	.437	S	*410040	41	37,00	37,26	7,00	S	320603★➔	32
1,828	1,832	.437	S	450040	45	1,457	1,467	.276			
1,828	1,832	.437	S	*480040	48	37,80	38,00	6,00	S	*25X38X6★	32
1,850	1,854	.312	S	*482090	48	1,488	1,496	.236			
1,850	1,854	.375	S	482309	48	37,80	38,00	8,00	S	*25X38X8★	32
1,874	1,878	.437	S	451082	45	1,488	1,496	.315			
2,048	2,052	.375	S	482310	48	1,488	1,496	.394			
2,062	2,066	.437	S	450339	45	37,80	38,00	10,00	S	*25X38X10★	32
2,062	2,066	.437	N	*450339N	45	1,488	1,496	.394			
2,440	2,445	.375	S	472238	47	38,00	38,20	7,00	V	*25X38X7V★	35
						1,496	1,504	.276			
						38,00	38,23	7,00	S	25X38X7★	32
						1,496	1,505	.276			
						38,00	38,23	7,00	S	222535★	32
						1,496	1,505	.276			
						1,499	1,503	.250	S	472324	47
						1,499	1,503	.250	A	472324A	47
						1,499	1,503	.250	H	*472324H	47
1,874	1,878	.437	S	*452573	45	1,499	1,503	.250	V	472324V	47
						1,499	1,504	.250	V	4458V	#
						1,500	1,504	.312	S	*471171	47
						1,500	1,508	.410	S	6522S	34
						38,80	39,00	8,00	S	*25X39X8★	32
						1,527	1,535	.315			
						39,80	40,00	5,00	S	*25X40X5★	32
		.313		99098	Redi-Sleeve	1,567	1,575	.197			
31,80	32,00	4,00	S	*25X32X4★	32	39,80	40,00	6,00	S	*25X40X6★	32
1,252	1,260	.157				1,567	1,575	.236			
31,80	32,00	6,00	S	*25X32X6★	32	39,80	40,00	6,00	S	*25X40X6★	32
1,252	1,260	.236				1,567	1,575	.236			
31,80	32,00	7,00	S	*25X32X7★	32	39,80	40,00	8,00	S	*25X40X8★	32
1,252	1,260	.276				1,567	1,575	.315			
32,80	33,00	6,00	S	*25X33X6★	32	39,80	40,00	10,00	S	*25X40X10★	32
1,291	1,299	.236				1,567	1,575	.394			
33,80	34,00	5,00	S	*25X34X5★	32	39,80	40,00	11,00	S	*25X40X11★	32
1,331	1,339	.197				1,567	1,575	.433			
34,80	35,00	5,00	S	*25X35X5★	32	39,80	40,00	12,00	S	*25X40X12★	32
1,370	1,378	.197				1,567	1,575	.472			
34,80	35,00	8,00	S	*25X35X8★	32	40,01	40,11	9,50	V	450908V★	45
1,370	1,378	.315				1,575	1,579	.374			
34,80	35,00	8,50	S	*25X35X8.5★	32	40,00	40,10	9,50	S	*450908★	45
1,370	1,378	.335				1,575	1,579	.374			
34,80	35,00	9,00	S	*25X35X9★	32	40,00	40,22	7,00	S	25X40X7★	32
1,370	1,378	.354				1,575	1,583	.276			

SIZE SECTION

For Illustration and Material Data See Technical Section
 # Designed For A Specific Application - Not Recommended For General Use ➔ Hydrodynamic Lip Design-CW * Call 1-800-480-1212 For Price and Delivery ★ Metric Seal

Size Section

NATIONAL®



Hsg. Bore	Seal O.D.	Seal Width	Lip Mat'l	Part No.	Type/ Illus.	Hsg. Bore	Seal O.D.	Seal Width	Lip Mat'l	Part No.	Type/ Illus.
25,00mm (.984") SHAFT (cont.)						25,00mm (.984") SHAFT (cont.)					
40,00	40,20	7,00	V	*25X40X7V★	35	44,80	45,00	10,00	S	*25X45X10★	32
1,575	1,583	.276				1,764	1,772	.394			
40,00	40,22	7,00	S	222540★	47	44,80	45,00	11,00	S	*25X45X11★	32
1,575	1,583	.276				1,764	1,772	.433			
40,00	40,20	7,00	N	710307★◀	32	44,80	45,00	12,00	S	*25X45X12★	32
1,575	1,583	.276				1,764	1,772	.472			
40,00	40,20	8,00	S	710316★➡	32	45,00	45,23	8,00	S	25X45X8★	32
1,575	1,583	.315				1,772	1,781	.315			
40,00	40,31	8,00	S	*324151★	32	46,00	46,20	7,00	S	25X46X7★	32
1,575	1,587	.315				1,811	1,819	.276			
40,00	40,31	8,00	N	*324151N★	32	46,00	46,20	8,00	S	*25X46X8★	32
1,575	1,587	.315				1,811	1,819	.315			
40,54	40,64	6,35	S	712018★	#	1,828	1,832	.437	S	450457	45
1,596	1,600	.250				1,828	1,838	.187	S	240457	24
40,80	41,00	6,00	S	*25X41X6★	32	1,834	1,842	.250	S	*321471	32
1,606	1,614	.236				46,80	47,00	6,00	S	*25X47X6★	32
40,80	41,00	7,00	S	*25X41X7★	32	1,842	1,850	.236			
1,606	1,614	.276				46,80	47,00	8,00	S	*25X47X8★	32
41,00	41,09	8,00	T	39867★◀	W-H	1,842	1,850	.315			
1,614	1,618	.315				46,80	47,00	10,00	S	*25X47X10★	32
41,00	41,20	8,00	S	*25X41.2X8★	32	1,842	1,850	.394			
1,614	1,622	.315				47,00	47,10	9,50	S	*482583★	48
41,05	41,25	6,00	S	*25X41.25X6★	32	1,850	1,854	.374			
1,616	1,624	.236				47,00	47,20	10,00	V	*25X47X10V★	35
41,05	41,25	7,00	S	*25X41.25X7★	32	1,850	1,858	.394			
1,616	1,624	.276				47,00	47,23	7,00	S	25X47X7★	32
41,25	41,35	11,10	S	*450811★	45	1,850	1,859	.276			
1,624	1,628	.437				47,80	48,00	7,00	S	*25X48X7★	32
41,30	41,50	7,00	S	*25X41.5X7★	32	1,882	1,890	.276			
1,626	1,634	.276				47,80	48,00	10,00	S	*25X48X10★	32
41,30	41,50	10,00	S	*25X41.5X10★	32	1,882	1,890	.394			
1,626	1,634	.394				48,00	48,20	8,00	S	25X48X8★	32
41,80	42,00	5,50	S	*25X42X5.5★	32	1,890	1,898	.315			
1,646	1,654	.217				48,80	49,00	10,00	S	*25X49X10★	32
41,80	42,00	7,00	S	*25X42X7★	32	1,921	1,929	.394			
1,646	1,654	.276				49,80	50,00	12,00	S	*25X50X12★	32
41,80	42,00	8,50	S	*25X42X8.5★	32	1,961	1,969	.472			
1,646	1,654	.335				50,00	50,20	8,00	S	25X50X8★	32
41,80	42,00	12,00	S	*25X42X12★	32	1,969	1,976	.315			
1,646	1,654	.472				50,00	50,20	10,00	V	*25X50X10V★	35
42,00	42,20	6,00	S	25X42X6★	32	1,969	1,976	.394			
1,654	1,661	.236				50,00	50,28	10,00	S	25X50X10★	35
42,00	42,20	7,00	V	*25X42X7V★	32	1,969	1,980	.394			
1,654	1,661	.276				51,75	52,00	9,50	S	*25X52X9.5★	32
42,00	42,20	8,00	S	25X42X8★	32	2,037	2,047	.374			
1,654	1,661	.315				51,75	52,00	12,00	S	*25X52X12★	32
42,00	42,30	8,00	H	222556★➡	32	2,037	2,047	.472			
1,654	1,665	.315				52,00	52,10	7,90	S	*472184★	47
42,00	42,28	10,00	S	25X42X10★	35	2,047	2,051	.311			
1,654	1,665	.394				52,00	52,20	7,00	V	*25X52X7V★	35
42,70	42,90	9,50	S	*25X42.9X9.5★	32	2,047	2,055	.276			
1,681	1,689	.374				52,00	52,20	8,00	S	25X52X8★	35
42,80	43,00	7,00	S	*25X43X7★	32	2,047	2,055	.315			
1,685	1,693	.276				52,00	52,20	10,00	S	25X52X10★	35
42,80	43,00	9,00	S	*25X43X9★	32	2,047	2,055	.394			
1,685	1,693	.354				52,00	52,27	7,00	S	25X52X7★	32
42,80	43,00	10,00	S	*25X43X10★	32	2,047	2,058	.276			
1,685	1,693	.394				52,37	52,48	11,10	S	450693★	45
43,80	44,00	7,00	S	*25X44X7★	32	2,062	2,066	.437			
1,724	1,732	.276				52,75	53,00	10,00	S	*25X53X10★	32
43,80	44,00	8,00	S	*25X44X8★	32	2,077	2,087	.394			
1,724	1,732	.315				54,00	54,20	8,00	S	*25X54X8★	32
44,00	44,20	7,00	S	222558★	32	2,126	2,134	.315			
1,732	1,740	.276				54,75	55,00	10,00	S	*25X55X10★	32
44,25	44,45	10,00	S	*25X44.45X10★	32	2,155	2,165	.394			
1,742	1,750	.394				54,75	55,00	12,00	S	*25X55X12★	32
1,749	1,753	.375	V	*483027V	48	2,155	2,165	.472			
1,752	1,756	.313	V	712012	#	55,00	55,20	8,00	S	*25X55X8★	32
44,80	45,00	7,00	S	*25X45X7★	32	2,165	2,173	.315			
1,764	1,772	.276				56,00	56,20	8,00	S	*25X56X8★	32
44,80	45,00	9,00	S	*25X45X9★	32	2,205	2,213	.315			
1,764	1,772	.354									

For Illustration and Material Data See Technical Section

Designed For A Specific Application - Not Recommended For General Use ➡ Hydrodynamic Lip Design-CW ◀ Hydrodynamic Lip Design-CCW

* Call 1-800-480-1212 For Price and Delivery ★ Metric Seal

Hsg. Bore	Seal O.D.	Seal Width	Lip Mat'l	Part No.	Type/Illus.	Hsg. Bore	Seal O.D.	Seal Width	Lip Mat'l	Part No.	Type/Illus.
25.00mm (.984") SHAFT (cont.)						1.000" SHAFT (cont.)					
57.75	58.00	10.00	S	*25X58X10★	32	1.499	1.503	.312	H	*480553H	48
2.273	2.283	.394				1.499	1.503	.390	S	*9277	48
58.00	58.20	8.00	S	*25X58X8★	32	1.499	1.503	.390	S	*410120	41
2.283	2.291	.315				1.499	1.503	.390	N	*410120N	41
59.75	60.00	10.00	S	*25X60X10★	32	1.499	1.503	.390	S	*450120	45
2.352	2.362	.394				1.499	1.503	.390	H	*450120H	45
60.00	60.20	8.00	S	*25X60X8★	32	1.499	1.503	.390	S	470120	47
2.362	2.370	.315				1.499	1.503	.390	N	*470120N	47
61.75	62.00	8.00	S	*25X62X8★	32	1.499	1.503	.390	S	*480120	48
2.431	2.441	.315				1.499	1.507	.250	S	340120	34
62.00	62.20	7.00	S	25X62X7★	32	1.502	1.510	.312	S	350909	35
2.441	2.449	.276				1.561	1.565	.250	V	471270V	47
62.00	62.20	7.00	V	*25X62X7V★	35	1.561	1.565	.250	S	471270	47
2.441	2.449	.276				1.561	1.565	.375	S	*410449	41
62.00	62.28	10.00	S	25X62X10★	32	1.561	1.565	.375	S	*450449	45
2.441	2.452	.394				1.561	1.565	.375	S	*470449	47
62.00	62.28	10.00	S	222580★	32	1.561	1.565	.375	S	*480449	48
2.441	2.452	.394				1.561	1.566	.375	N	*480449N	48
64.75	65.00	10.00	S	*25X65X10★	32	1.563	1.569	.187	S	343123	34
2.549	2.559	.394				1.575	1.579	.250	S	473380	47
65.75	66.00	8.50	S	*25X66X8.5★	32	1.575	1.579	.312	S	*471618	47
2.588	2.598	.335				1.575	1.579	.375	S	*410818	41
69.75	70.00	10.00	S	*25X70X10★	32	1.575	1.579	.375	S	*450818	45
2.746	2.756	.394				1.624	1.628	.250	S	471649	47
71.75	72.00	8.00	S	*25X72X8★	32	1.624	1.628	.250	A	471649A	47
2.825	2.835	.315				1.624	1.628	.250	V	471649V	47
79.72	80.00	10.00	S	*25X80X10★	32	1.624	1.628	.250	S	*481649	48
3.139	3.150	.394				1.624	1.628	.250	N	*481649N	48
1.000" SHAFT						1.624	1.628	.312	S	*411662	41
-	-	-	S	800250	VRS1	1.624	1.628	.312	S	*451662	45
-	-	-	S	800251	VRS2	1.624	1.628	.312	S	*481662	48
-	-	-	V	800254	VRS1	1.624	1.628	.312	H	*481662H	48
-	-	.313		99101	Redi-Sleeve	1.624	1.628	.437	S	*410219	41
1.247	1.253	.187	S	343098	34	1.624	1.628	.437	N	*410219N	41
1.250	1.254	.536	S	6847S	#	1.624	1.628	.437	S	*450219	45
1.250	1.260	.125	S	240731	24	1.624	1.628	.437	H	*450219H	45
1.312	1.318	.125	S	342517	34	1.624	1.628	.437	N	*450219N	45
1.322	1.328	.210	S	710059	48	1.624	1.628	.437	S	470219	47
1.375	1.379	.187	S	441130	44	1.624	1.628	.437	N	*470219N	47
1.375	1.379	.187	N	*441130N	44	1.624	1.628	.437	S	*480219	48
1.375	1.379	.250	V	252277	25	1.625	1.629	.375	S	*481239	48
1.375	1.379	.250	V	*252277V	25	1.686	1.690	.250	S	474250	47
1.375	1.379	.250	S	712026	#	1.689	1.693	.250	S	*41465S	4S
1.437	1.441	.250	T	39910↔	W	1.689	1.693	.250	S	471465	47
1.437	1.441	.250	S	42311S	4S	1.752	1.756	.250	S	40230S	4S
1.437	1.441	.250	S	330414	33	1.752	1.756	.250	S	471689	47
1.437	1.441	.250	N	*330414N	33	1.752	1.756	.250	A	471689A	47
1.437	1.441	.250	V	472311	47	1.752	1.756	.250	V	471689V	47
1.437	1.441	.250	S	472311V	47	1.752	1.756	.250	S	*481689	48
1.437	1.445	.250	S	350414	35	1.752	1.756	.250	N	*481689N	48
1.437	1.447	.187	S	240414	24	1.752	1.756	.312	S	*411703	41
1.499	1.503	.250	L	*40120	4L	1.752	1.756	.312	N	*411703N	41
1.499	1.503	.250	S	41224S	4S	1.752	1.756	.312	S	*451703	45
1.499	1.503	.250	S	*451224	45	1.752	1.756	.312	S	*471703	47
1.499	1.503	.250	S	471224	47	1.752	1.756	.312	S	*481703	48
1.499	1.503	.250	A	471224A	47	1.752	1.756	.313	S	712013	#
1.499	1.503	.250	N	*471224N	47	1.752	1.756	.375	S	*450541	45
1.499	1.503	.250	V	471224V	47	1.752	1.756	.375	S	470541	47
1.499	1.503	.250	S	*481224	48	1.752	1.756	.375	N	*470541N	47
1.499	1.503	.250	H	*481224H	48	1.752	1.756	.375	S	*480541	48
1.499	1.503	.250	V	481224V	48	1.752	1.756	.437	S	*410230	41
1.499	1.503	.250	S	712016	#	1.752	1.756	.437	S	*450230	45
1.499	1.503	.312	F	5857	29	1.752	1.756	.437	N	*450230N	45
1.499	1.503	.312	S	*410553	41	1.752	1.756	.437	S	470230	47
1.499	1.503	.312	S	*450553	45	1.752	1.756	.437	H	*470230H	47
1.499	1.503	.312	H	*450553H	45	1.752	1.756	.437	S	*480230	48
1.499	1.503	.312	S	470553	47	1.780	1.785	.468	S	203005	203
1.499	1.503	.312	H	*470553H	47	1.780	1.785	.468	S	204005	204
1.499	1.503	.312	N	*470553N	47	1.780	1.785	.468	F	205005	205
1.499	1.503	.312	S	*480553	48	1.828	1.832	.296	S	450593	45

SIZE SECTION

For Illustration and Material Data See Technical Section
 # Designed For A Specific Application - Not Recommended For General Use ↔ Hydrodynamic Lip Design-Bidirectional * Call 1-800-480-1212 For Price and Delivery
 ★ Metric Seal

Size Section

NATIONAL®

Hsg. Bore	Seal O.D.	Seal Width	Lip Mat'l	Part No.	Type/ Illus.	Hsg. Bore	Seal O.D.	Seal Width	Lip Mat'l	Part No.	Type/ Illus.
1.000" SHAFT (cont.)						26,00mm (1.024") SHAFT (cont.)					
1.828	1.832	.296	S	470593	47	35,80	36,00	5,00	S	*26X36X5★	32
1.828	1.832	.375	S	*452336	45	1.409	1.417	.197			
1.828	1.832	.375	S	*482336	48	35,80	36,00	7,00	S	*26X36X7★	32
1.828	1.832	.437	S	*50041S	5S	1.409	1.417	.276			
1.828	1.832	.437	S	*410041	41	36,80	37,00	8,00	S	*26X37X8★	32
1.828	1.832	.437	S	*450041	45	1.449	1.457	.315			
1.828	1.832	.437	N	*450041N	45	37,00	37,20	7,00	S	26X37X7★	32
1.828	1.832	.437	S	470041	47	1.457	1.465	.276			
1.828	1.832	.437	S	*480041	48	37,80	38,00	7,00	S	*26X38X7★	32
1.874	1.878	.250	S	471733	47	1.488	1.496	.276			
1.874	1.878	.250	N	*471733N	47	37,80	38,00	8,00	S	*26X38X8★	32
1.874	1.878	.250	S	*481733	48	1.488	1.496	.315			
1.874	1.878	.375	S	*482522	48	38,00	38,20	5,00	S	26X38X5★	32
1.874	1.878	.437	S	*410233	41	1.496	1.504	.197			
1.874	1.878	.437	S	*450233	45	38,00	38,20	8,00	N	222630★	32
1.874	1.878	.437	S	*470233	47	1.496	1.504	.315			
1.874	1.878	.437	S	*480233	48	39,80	40,00	8,00	S	*26X40X8★	32
1.936	1.948	.187	S	240462	24	1.567	1.575	.315			
1.936	1.948	.187	N	*240462N	24	39,80	40,00	10,00	S	*26X40X10★	32
1.983	1.987	.250	S	471744	47	1.567	1.575	.394			
1.983	1.987	.437	S	*450549	45	40,00	40,20	7,00	S	26X40X7★	32
2.000	2.004	.250	S	40157S	4S	1.575	1.583	.276			
2.000	2.004	.250	S	471760	47	41,10	41,30	10,00	S	*26X41.3X10★	32
2.000	2.004	.250	A	471760A	47	1.618	1.626	.394			
2.000	2.004	.250	V	471760V	47	41,80	42,00	8,00	S	*26X42X8★	32
2.000	2.004	.250	S	*481760	48	1.646	1.654	.315			
2.000	2.004	.312	S	*452997	45	42,00	42,20	7,00	S	26X42X7★	32
2.000	2.004	.375	S	*471770	47	1.654	1.661	.276			
2.000	2.004	.375	S	*481770	48	42,00	42,20	8,00	S	710399★➔	32
2.000	2.004	.437	S	*410157	41	1.654	1.661	.315			
2.000	2.004	.437	S	*450157	45	42,00	42,23	10,00	S	26X42X10★	32
2.000	2.004	.437	S	*470157	47	1.654	1.663	.394			
2.000	2.004	.437	S	*480157	48	42,80	43,00	8,00	S	*26X43X8★	32
2.000	2.004	.500	S	*484211	48	1.685	1.693	.315			
2.047	2.051	.312	S	472138	47	43,80	44,00	7,00	S	*26X44X7★	32
2.047	2.051	.312	N	*472138N	47	1.724	1.732	.276			
2.062	2.066	.250	S	471619	47	44,00	44,20	8,00	S	710153★	#
2.062	2.066	.375	S	453165	45	1.732	1.740	.315			
2.062	2.066	.437	S	*410187	41	44,80	45,00	7,00	S	*26X45X7★	32
2.062	2.066	.437	S	*450187	45	1.764	1.772	.276			
2.062	2.066	.437	S	*470187	47	44,80	45,00	10,00	S	*26X45X10★	32
2.062	2.066	.437	S	*480187	48	1.764	1.772	.394			
2.106	2.110	.468	S	*291190	29	45,00	45,20	8,00	S	*26X45X8★	32
2.441	2.445	.375	S	471516	47	1.772	1.780	.315			
2.441	2.447	.375	S	321516	32	46,00	46,20	8,00	S	*26X46X8★	32
2.533	2.537	.250	S	472539	47	1.811	1.819	.315			
2.812	2.817	1.156	N	*6855N	1S	46,80	47,00	6,00	S	*26X47X6★	32
2.875	2.879	.468	S	*3126	41	1.842	1.850	.236			
2.875	2.879	.468	S	*452744	45	46,80	47,00	8,00	S	*26X47X8★	32
						1.842	1.850	.315			
						46,80	47,00	10,00	S	*26X47X10★	32
						1.842	1.850	.394			
						46,80	47,00	11,00	S	*26X47X11★	32
						1.842	1.850	.433			
38,50	38,70	8,50	S	710303★	35	46,80	47,00	12,00	S	*26X47X12★	32
1.516	1.524	.335				1.842	1.850	.472			
						47,00	47,23	7,00	S	26X47X7★	32
						1.850	1.859	.276			
						47,80	48,00	8,00	S	*26X48X8★	32
						1.882	1.890	.315			
						48,00	48,23	7,00	S	26X48X7★	32
						1.890	1.899	.276			
						48,00	48,23	7,00	S	222655★	32
						1.890	1.899	.276			
						49,80	50,00	7,00	S	*26X50X7★	32
						1.961	1.969	.276			
						49,80	50,00	10,00	S	*26X50X10★	32
						1.961	1.969	.394			
		.313		99103	Redi-Sleeve	50,00	50,20	8,00	S	*26X50X8★	32
34,80	35,00	7,00	S	*26X35X7★	32	51,75	52,00	7,00	S	*26X52X7★	32
1.370	1.378	.276				2.037	2.047	.276			

For Illustration and Material Data See Technical Section

Designed For A Specific Application - Not Recommended For General Use ➔ Hydrodynamic Lip Design-CW * Call 1-800-480-1212 For Price and Delivery ★ Metric Seal

Hsg. Bore	Seal O.D.	Seal Width	Lip Mat'l	Part No.	Type/Illus.	Hsg. Bore	Seal O.D.	Seal Width	Lip Mat'l	Part No.	Type/Illus.
26,00mm (1.024") SHAFT (cont.)						1.062" (1-1/16") SHAFT (cont.)					
52.00	52.20	8.00	S	26X52X8★	32	1.686	1.690	.375	S	470606	47
2.047	2.055	.315	S			1.689	1.693	.250	S	*481677	48
61.75	62.00	9.00	S	*26X62X9★	32	1.750	1.754	.375	S	*471001	47
2.431	2.441	.354	S			1.752	1.756	.312	S	*451705	45
71.75	72.00	10.00	S	*26X72X10★	32	1.752	1.756	.312	S	471705	47
2.825	2.835	.394	S			1.752	1.756	.375	S	*451718	45
1.031" (1-1/32") SHAFT						1.752	1.756	.375	S	*471718	47
-	-	-	S	800250	VRS1	1.752	1.756	.375	S	*481718	48
-	-	-	S	800251	VRS2	1.752	1.756	.375	S	*450232	45
-	-	-	V	800254	VRS1	1.828	1.832	.375	S	*452584	45
1.499	1.503	.390	L	50209	5L	1.828	1.832	.375	S	473419	47
1.575	1.579	.312	V	471076V	47	1.828	1.832	.375	S	*482584	48
1.575	1.579	.312	S	471076	47	1.828	1.832	.375	V	*482584V	48
1.575	1.579	.312	V	471076V	47	1.828	1.832	.437	S	450043	45
1.575	1.579	.312	S	*481076	48	1.828	1.832	.437	S	*480043	48
1.624	1.628	.250	S	481650	48	1.874	1.878	.250	H	471735H	47
1.624	1.628	.437	S	*450220	45	1.874	1.878	.375	S	*473378	47
1.037" SHAFT						1.874	1.878	.437	S	*450127	45
-	-	-	S	800250	VRS1	1.874	1.878	.437	H	*450127H	45
-	-	-	S	800251	VRS2	1.874	1.878	.437	S	*480127	48
-	-	-	V	800254	VRS1	1.874	1.878	.437	N	*480127N	48
1.575	1.579	.333	S	*4346➔	#	1.938	1.942	.625	F	*205011	205
1.040" SHAFT						1.983	1.987	.437	S	450342	45
-	-	-	S	800250	VRS1	1.983	1.987	.437	N	*450342N	45
-	-	-	S	800251	VRS2	1.983	1.987	.437	S	470342	47
-	-	-	V	800254	VRS1	1.983	1.987	.437	S	*480342	48
1.811	1.815	.280	S	*484132	48	2.000	2.004	.250	S	471762	47
1.044" SHAFT						2.000	2.004	.375	S	*451772	45
.000	1.713	.275	V	710511	32	2.000	2.004	.375	S	471772	47
1.047" SHAFT						2.000	2.004	.375	S	*481772	48
-	-	-	S	800250	VRS1	2.000	2.004	.437	S	*450158	45
-	-	-	S	800251	VRS2	2.000	2.004	.437	S	*480158	48
-	-	-	V	800254	VRS1	2.062	2.066	.375	S	473420	47
1.811	1.815	.285	S	710053	48	2.062	2.066	.437	S	*450628	45
1.055" SHAFT						2.062	2.066	.437	S	*480628	48
-	-	-	S	800250	VRS1	2.750	2.754	.437	S	*204084	204
-	-	-	S	800251	VRS2	2.835	2.839	.375	S	472953	47
-	-	-	V	800254	VRS1	2.835	2.839	.375	V	472953V	47
1.500	1.504	.268	S	9376	68	27,00mm (1.063") SHAFT					
1.062" (1-1/16") SHAFT						-	-	-	S	800250	VRS1
-	-	-	S	800250	VRS1	-	-	-	S	800251	VRS2
-	-	-	S	800251	VRS2	-	-	-	V	800254	VRS1
-	-	-	V	800254	VRS1	-	-	.313		99106	Redi-Sleeve
-	-	.313		99106	Redi-Sleeve	35.80	36.00	6.00	S	*27X36X6★	32
1.499	1.503	.312	S	480210	48	1.409	1.417	.236	S	*27X37X8.5★	32
1.499	1.503	.312	H	*480210H	48	36.80	37.00	8.50	S		
1.499	1.503	.390	S	*450210	45	1.449	1.457	.335	S	27X37X7★	35
1.499	1.507	.250	S	340210	34	37.00	37.15	7.00	S		
1.561	1.565	.375	S	450188	45	1.457	1.463	.276	V	*27X37X7V★	35
1.561	1.565	.375	S	*480188	48	1.457	1.465	.276	S	*27X38X5★	32
1.575	1.579	.312	S	*481343	48	37.80	38.00	5.00	S		
1.575	1.581	.250	S	3732S➔	48	1.488	1.496	.197	S	*27X38X6★	32
1.624	1.628	.250	S	471651	47	37.80	38.00	6.00	S		
1.624	1.628	.250	S	*481651	48	1.488	1.496	.236	S	*27X40X6★	32
1.624	1.628	.312	S	*451664	45	39.80	40.00	6.00	S		
1.624	1.628	.312	N	*451664N	45	1.567	1.575	.236	S	*27X40X7★	32
1.624	1.628	.437	S	*450221	45	39.80	40.00	7.00	S		
1.624	1.628	.437	S	*480221	48	1.567	1.575	.276	S	*27X40X8★	32
1.686	1.690	.375	L	*50606	5L	39.80	40.00	8.00	S		
						1.567	1.575	.315	S		
						39.80	40.00	10.00	S	*27X40X10★	32
						1.567	1.575	.394	S		
						39.80	40.00	12.00	S	*27X40X12★	32
						1.567	1.575	.472	V	712009★	32
						40.00	40.20	8.00			
						1.575	1.583	.315			

SIZE SECTION

For Illustration and Material Data See Technical Section
 # Designed For A Specific Application - Not Recommended For General Use ➔ Hydrodynamic Lip Design-CW * Call 1-800-480-1212 For Price and Delivery ★ Metric Seal

Size Section

NATIONAL®



Hsg. Bore	Seal O.D.	Seal Width	Lip Mat'l	Part No.	Type/ Illus.	Hsg. Bore	Seal O.D.	Seal Width	Lip Mat'l	Part No.	Type/ Illus.
27,00mm (1.063") SHAFT (cont.)						28,00mm (1.102") SHAFT (cont.)					
41,00	41,10	9,50	S	*1193★	#	34,80	35,00	5,00	S	*28X35X5★	32
1,614	1,618	.374				1,370	1,378	.197			
41,80	42,00	5,00	S	*27X42X5★	32	34,80	35,00	7,00	S	*28X35X7★	32
1,646	1,654	.197				1,370	1,378	.276			
41,80	42,00	8,00	S	*27X42X8★	32	34,80	35,00	10,00	S	*28X35X10★	32
1,646	1,654	.315				1,370	1,378	.394			
42,00	42,10	7,00	V	222742★	48	35,80	36,00	7,00	S	*28X36X7★	32
1,654	1,657	.276				1,409	1,417	.276			
42,00	42,20	7,00	S	27X42X7★	35	37,80	38,00	5,00	S	*28X38X5★	32
1,654	1,661	.276				1,488	1,496	.197			
42,00	42,23	10,00	S	27X42X10★	35	37,80	38,00	8,00	S	*28X38X8★	32
1,654	1,663	.394				1,488	1,496	.315			
42,80	43,00	9,00	S	*27X43X9★	32	38,00	38,20	10,00	S	710347★◄	32
1,685	1,693	.354				1,496	1,504	.394			
43,00	43,20	8,00	S	27X43X8★	32	38,00	38,23	7,00	S	28X38X7★	32
1,693	1,701	.315				1,496	1,505	.276			
43,00	43,20	9,00	H	222743★◄	32	38,00	38,25	7,00	T	712104★►	PDW
1,693	1,701	.354				1,496	1,506	.276			
43,00	43,25	9,00	N	1990★►	32	39,80	40,00	9,00	S	*28X40X9★	32
1,693	1,703	.354				1,567	1,575	.354			
45,00	45,25	8,00	S	27X45X8★	35	39,80	40,00	10,00	S	*28X40X10★	32
1,772	1,781	.315				1,567	1,575	.394			
45,00	45,25	9,00	N	222745★►	32	40,00	40,20	7,00	V	*28X40X7V★	35
1,772	1,781	.354				1,575	1,583	.276			
46,00	46,20	8,00	S	*27X46X8★	32	40,00	40,20	7,00	S	710325★►	32
1,811	1,819	.315				1,575	1,583	.276			
46,80	47,00	7,00	S	*27X47X7★	32	40,00	40,20	8,00	S	28X40X8★	32
1,842	1,850	.276				1,575	1,583	.315			
47,00	47,23	8,00	S	*27X47X8★	35	40,00	40,26	7,00	S	28X40X7★	32
1,850	1,859	.315				1,575	1,585	.276			
47,00	47,23	10,00	S	27X47X10★	35	40,00	40,31	7,00	S	*1107★	33
1,850	1,859	.394				1,575	1,587	.276			
48,00	48,20	8,00	S	*27X48X8★	32	40,00	40,34	7,00	S	222820★	33
1,890	1,898	.315				1,575	1,588	.276			
49,80	50,00	10,00	S	*27X50X10★	32	41,00	41,10	8,00	T	39869★►	#
1,961	1,969	.394				1,614	1,618	.315			
50,00	50,20	8,00	S	*27X50X8★	32	41,00	41,27	7,00	N	222830★◄	32
1,969	1,976	.315				1,614	1,625	.276			
52,00	52,20	8,00	S	27X52X8★	35	41,05	41,25	6,00	S	*28X41.25X6★	32
2,047	2,055	.315				1,616	1,624	.236			
52,75	53,00	7,00	S	*27X53X7★	32	41,30	41,50	8,00	S	*28X41.5X8★	32
2,077	2,087	.276				1,626	1,634	.315			
27,60mm (1.087") SHAFT						28,00mm (1.102") SHAFT (cont.)					
39,80	40,00	5,50	S	*27.6X40X5.5★	32	41,80	42,00	6,00	S	*28X42X6★	32
1,567	1,575	.217				1,646	1,654	.236			
1.093" (1-3/32") SHAFT						28,00mm (1.102") SHAFT (cont.)					
-	-	-	S	800280	VRS1	41,80	42,00	7,00	S	*28X42X7★	32
-	-	-	V	800284	VRS1	1,646	1,654	.276			
1,625	1,628	.312	S	*482454	48	41,80	42,00	10,00	S	*28X42X10★	32
1,828	1,832	.437	S	450044	45	1,646	1,654	.394			
1,874	1,878	.437	H	*480235H	48	42,00	42,20	8,00	H	712008★	32
1,874	1,878	.437	V	*480235V	48	1,654	1,661	.315			
2,000	2,004	.437	S	450159	45	42,00	42,20	10,00	V	*28X42X10V★	35
1.100" SHAFT						28,00mm (1.102") SHAFT (cont.)					
-	-	-	S	800280	VRS1	1,654	1,661	.394			
-	-	-	V	800284	VRS1	42,00	42,23	8,00	S	28X42X8★	35
-	-	.375		99111	Redi-Sleeve	1,654	1,663	.315			
1,572	1,578	.308	N	2503►	48	42,30	42,50	8,00	S	*28X42.5X8★	32
1,572	1,578	.308	N	2503N►	48	1,665	1,673	.315			
28,00mm (1.102") SHAFT						28,00mm (1.102") SHAFT (cont.)					
-	-	-	S	800280	VRS1	42,50	42,72	8,00	S	710216★	35
-	-	-	V	800284	VRS1	1,673	1,682	.315			
-	-	.375		99111	Redi-Sleeve	42,80	43,00	6,00	S	*28X43X6★	32
28,00mm (1.102") SHAFT						28,00mm (1.102") SHAFT (cont.)					
-	-	-	S	800280	VRS1	1,685	1,693	.236			
-	-	-	V	800284	VRS1	42,80	43,00	10,00	S	*28X43X10★	32
-	-	.375		99111	Redi-Sleeve	1,685	1,693	.394			
28,00mm (1.102") SHAFT						28,00mm (1.102") SHAFT (cont.)					
-	-	-	S	800280	VRS1	43,00	43,23	7,00	S	710157★►	32
-	-	-	V	800284	VRS1	1,693	1,702	.276			
-	-	.375		99111	Redi-Sleeve	43,00	43,23	8,00	N	710119★	32
28,00mm (1.102") SHAFT						28,00mm (1.102") SHAFT (cont.)					
-	-	-	S	800280	VRS1	1,693	1,702	.315			
-	-	-	V	800284	VRS1	43,80	44,00	7,00	S	*28X44X7★	32
-	-	.375		99111	Redi-Sleeve	1,724	1,732	.276			
28,00mm (1.102") SHAFT						28,00mm (1.102") SHAFT (cont.)					
-	-	-	S	800280	VRS1	43,80	44,00	8,00	S	*28X44X8★	32
-	-	-	V	800284	VRS1	1,724	1,732	.315			
-	-	.375		99111	Redi-Sleeve	44,00	44,20	6,00	N	222835★	32
28,00mm (1.102") SHAFT						28,00mm (1.102") SHAFT (cont.)					
-	-	-	S	800280	VRS1	1,732	1,740	.236			
-	-	-	V	800284	VRS1						
-	-	.375		99111	Redi-Sleeve						

For Illustration and Material Data See Technical Section

Designed For A Specific Application - Not Recommended For General Use ► Hydrodynamic Lip Design-CW ◄ Hydrodynamic Lip Design-CCW

* Call 1-800-480-1212 For Price and Delivery ★ Metric Seal

Hsg. Bore	Seal O.D.	Seal Width	Lip Mat'l	Part No.	Type/Illus.	Hsg. Bore	Seal O.D.	Seal Width	Lip Mat'l	Part No.	Type/Illus.
28,00mm (1.102") SHAFT (cont.)						1.125" (1-1/8") SHAFT (cont.)					
44,00	44,23	6,00	N	28X44X6★	32	-	-	-	V	800284	VRS1
1,732	1,741	.236				-	-	.313		99112	Redi-Sleeve
44,80	45,00	7,00	S	*28X45X7★	32	1,375	1,381	.125	S	340835	34
1,764	1,772	.276				1,438	1,444	.215	S	313842	31
44,80	45,00	8,70	S	*28X45X8.7★	32	1,494	1,505	.250	S	340815	34
1,764	1,772	.343				1,500	1,504	.250	S	1037	35
44,80	45,00	10,00	S	*28X45X10★	32	1,502	1,506	.250	S	312140	31
1,764	1,772	.394				1.561	1.565	.250	N	472560N	47
45,00	45,20	7,00	V	*28X45X7V★	35	1,561	1,565	.250	V	*472560V	47
1,772	1,780	.276				1,561	1,565	.375	S	50151S	5S
45,00	45,20	8,00	S	28X45X8★	32	1,561	1,567	.250	S	352560	35
1,772	1,780	.315				1,561	1,569	.250	S	340151	34
46,00	46,20	8,00	S	*28X46X8★	32	1,561	1,572	.187	S	240151	24
1,811	1,819	.315				1,562	1,566	.220	S	7941	44
46,80	47,00	6,00	S	*28X47X6★	32	1,563	1,583	.375	S	*712140	35
1,842	1,850	.236				1,564	1,568	.250	S	43072S	4S
46,80	47,00	9,00	S	*28X47X9★	32	1,624	1,628	.190	N	3638	48
1,842	1,850	.354				1,624	1,628	.245	S	482208	48
46,80	47,00	10,00	S	*28X47X10★	32	1.624	1.628	.250	S	471652	47
1,842	1,850	.394				1,624	1,628	.250	A	471652A	47
46,89	47,00	8,00	S	*333860★	33	1,624	1,628	.250	H	*471652H	47
1,846	1,850	.315				1,624	1,628	.250	N	*471652N	47
47,00	47,20	7,00	V	*28X47X7V★	35	1,624	1,628	.250	N	*471652N	47
1,850	1,858	.276				1.624	1.628	.250	V	471652V	47
47,00	47,22	7,00	S	28X47X7★	32	1,624	1,628	.250	S	*481652	48
1,850	1,859	.276				1,624	1,628	.250	N	*481652N	48
47,00	47,22	8,00	S	*28X47X8★	33	1,624	1,628	.250	V	481652V	48
1,850	1,859	.315				1,624	1,628	.312	S	*411100	41
47,00	47,22	8,00	N	222860★	32	1,624	1,628	.312	N	*411100N	41
1,850	1,859	.315				1,624	1,628	.312	S	*451100	45
47,80	48,00	7,00	S	*28X48X7★	32	1,624	1,628	.312	H	*451100H	45
1,882	1,890	.276				1,624	1,628	.312	N	*451100N	45
47,80	48,00	11,00	S	*28X48X11★	32	1,624	1,628	.312	S	471100	47
1,882	1,890	.433				1,624	1,628	.312	N	*471100N	47
48,00	48,20	8,00	S	28X48X8★	32	1,624	1,628	.312	S	*481100	48
1,890	1,898	.315				1,624	1,628	.437	S	*410381	41
49,80	50,00	10,00	S	*28X50X10★	32	1,624	1,628	.437	S	*450381	45
1,961	1,969	.394				1,624	1,628	.437	S	*470381	47
50,00	50,20	8,00	S	*28X50X8★	32	1,624	1,628	.437	S	*480381	48
1,969	1,976	.315				1,630	1,634	.313	S	710181	#
50,75	51,00	10,00	S	*28X51X10★	32	1,630	1,634	.313	S	710285	#
1,998	2,008	.394				1,689	1,693	.250	S	*481678	48
51,75	52,00	6,00	S	*28X52X6★	32	1,752	1,756	.250	V	471692V	47
2,037	2,047	.236				1.752	1.756	.250	S	471692	47
51,75	52,00	8,00	S	*28X52X8★	32	1,752	1,756	.250	A	471692A	47
2,037	2,047	.315				1,752	1,756	.250	N	*471692N	47
51,75	52,00	10,00	S	*28X52X10★	32	1,752	1,756	.250	S	*481692	48
2,037	2,047	.394				1,752	1,756	.312	S	*411706	41
52,00	52,20	7,00	V	*28X52X7V★	32	1,752	1,756	.312	S	*451706	45
2,047	2,055	.276				1,752	1,756	.312	S	*471706	47
52,00	52,23	7,00	S	28X52X7★	32	1,752	1,756	.312	N	*471706N	47
2,047	2,056	.276				1,752	1,756	.312	S	*481706	48
2,087	2,091	.378	S	710433	#	1,752	1,756	.375	S	*451133	45
55,75	56,00	6,00	S	*28X56X6★	32	1,752	1,756	.375	S	*471133	47
2,195	2,205	.236				1,752	1,756	.375	S	*481133	48
55,75	56,00	7,00	S	*28X56X7★	32	1,752	1,756	.437	S	*410189	41
2,195	2,205	.276				1,752	1,756	.437	S	*450189	45
57,75	58,00	6,00	S	*28X58X6★	32	1,752	1,756	.437	H	*450189H	45
2,273	2,283	.236				1,752	1,756	.437	S	470189	47
57,75	58,00	10,00	S	*28X58X10★	32	1,752	1,756	.437	H	470189H	47
2,273	2,283	.394				1,752	1,756	.437	N	*470189N	47
61,75	62,00	10,00	S	*28X62X10★	32	1,752	1,756	.437	S	*480189	48
2,431	2,441	.394				1,752	1,756	.437	H	*480189H	48
28,50mm (1.122") SHAFT						1,780	1,785	.250	S	204505	204
39,30	39,50	9,50	S	*28.5X39.5X9.5★	32	1,780	1,785	.468	S	203020	203
1,547	1,555	.374				1,780	1,785	.468	S	204020	204
1.125" (1-1/8") SHAFT						1,781	1,785	.468	F	*205020	205
-	-	-	S	800280	VRS1	1,781	1,787	.406	S	323133	32
						1.828	1.832	.312	S	476838	47
						1,828	1,832	.375	S	*451258	45
						1,828	1,832	.375	S	*481258	48
						1,828	1,832	.437	S	*410045	41

SIZE SECTION

For Illustration and Material Data See Technical Section
 # Designed For A Specific Application - Not Recommended For General Use ▶ Hydrodynamic Lip Design-CW * Call 1-800-480-1212 For Price and Delivery ★ Metric Seal

Size Section

NATIONAL®



Hsg. Bore	Seal O.D.	Seal Width	Lip Mat'l	Part No.	Type/ Illus.
1.125" (1-1/8") SHAFT (cont.)					
1.828	1.832	.437	S	*450045	45
1.828	1.832	.437	H	*450045H	45
1.828	1.832	.437	N	*450045N	45
1.828	1.832	.437	V	*450045V	45
1.828	1.832	.437	S	470045	47
1.828	1.832	.437	S	*480045	48
1.850	1.859	.312	S	350974	35
1.874	1.878	.250	S	470712	47
1.874	1.878	.250	A	470712A	47
1.874	1.878	.250	N	*470712N	47
1.874	1.878	.250	V	470712V	47
1.874	1.878	.250	S	*480712	48
1.874	1.878	.375	S	*472523	47
1.874	1.878	.375	S	*482523	48
1.874	1.878	.437	S	*410236	41
1.874	1.878	.437	H	*410236H	41
1.874	1.878	.437	S	*450236	45
1.874	1.878	.437	H	*450236H	45
1.874	1.878	.437	S	470236	47
1.874	1.878	.437	S	*480236	48
1.874	1.878	.625	L	6704	1L
1.935	1.942	.625	S	6832S	204
1.937	1.942	.562	S	203003	203
1.937	1.942	.625	S	*203004	203
1.937	1.942	.625	F	205004	205
1.983	1.987	.250	S	471747	47
1.983	1.987	.375	S	472674	47
1.983	1.987	.375	S	*482674	48
1.983	1.987	.437	S	*410182	41
1.983	1.987	.437	S	*450182	45
1.983	1.987	.437	S	*470182	47
1.983	1.987	.437	S	*480182	48
2.000	2.004	.250	S	40160S	4S
2.000	2.004	.250	S	471763	47
2.000	2.004	.250	A	471763A	47
2.000	2.004	.250	V	471763V	47
2.000	2.004	.250	S	*481763	48
2.000	2.004	.312	H	*471464H	47
2.000	2.004	.375	S	*450426	45
2.000	2.004	.437	S	*50160	5S
2.000	2.004	.437	S	*410160	41
2.000	2.004	.437	S	*450160	45
2.000	2.004	.437	S	*470160	47
2.000	2.004	.437	S	*480160	48
2.000	2.004	.500	S	*470642	47
2.047	2.051	.312	S	472644	47
2.047	2.051	.312	V	472644V	47
2.062	2.066	.250	S	*41785S	4S
2.062	2.066	.250	S	471785	47
2.062	2.066	.250	V	*471785V	47
2.062	2.066	.375	S	*451135	45
2.062	2.066	.375	H	*451135H	45
2.062	2.066	.375	S	*481135	48
2.062	2.066	.375	H	*481135H	48
2.062	2.066	.437	S	*410241	41
2.062	2.066	.437	S	*450241	45
2.062	2.066	.437	S	470241	47
2.062	2.066	.437	V	*470241V	47
2.062	2.066	.437	S	*480241	48
2.125	2.129	.250	S	481792	48
2.125	2.129	.250	N	*481792N	48
2.125	2.129	.437	S	*411060	41
2.125	2.129	.437	S	*451060	45
2.125	2.129	.437	S	*471060	47
2.250	2.254	.500	S	450604	45
2.250	2.254	.500	N	*450604N	45
2.250	2.254	.500	S	470604	47
2.250	2.254	.500	S	*480604	48
2.437	2.441	.468	S	450332	45
2.441	2.445	.250	S	473259	47
2.441	2.445	.250	V	*473259V	47
2.441	2.445	.375	S	472681	47

Hsg. Bore	Seal O.D.	Seal Width	Lip Mat'l	Part No.	Type/ Illus.
1.125" (1-1/8") SHAFT (cont.)					
2.441	2.445	.375	V	472681V	47
2.533	2.537	.250	S	472535	47
2.835	2.839	.375	S	472954	47
2.835	2.839	.375	V	472954V	47
2.875	2.879	.468	S	450430	45
28,60mm (1.126") SHAFT					
-	-	-	S	800280	VRS1
-	-	-	V	800284	VRS1
-	-	.313		99112	Redi-Sleeve
39,80	40,00	8,00	S	*28.6X40X8★	32
1.567	1.575	.315			
43,00	43,15	6,50	S	1989★	47
1.693	1.699	.256			
29,00mm (1.142") SHAFT					
-	-	-	S	800300	VRS1
0,00	37,01	5,00	S	710504★	35
.000	1.457	.197			
42,80	43,00	8,00	S	*29X43X8★	32
1.685	1.693	.315			
43,80	44,00	7,00	S	*29X44X7★	32
1.724	1.732	.276			
44,80	45,00	9,00	S	*29X45X9★	32
1.764	1.772	.354			
45,00	45,23	8,00	S	320595★	32
1.772	1.781	.315			
45,80	46,00	10,00	S	*29X46X10★	32
1.803	1.811	.394			
46,80	47,00	8,00	S	*29X47X8★	32
1.842	1.850	.315			
46,80	47,00	10,00	S	*29X47X10★	32
1.842	1.850	.394			
49,80	50,00	10,00	S	*29X50X10★	32
1.961	1.969	.394			
55,75	56,00	10,00	S	*29X56X10★	32
2.195	2.205	.394			
61,95	62,20	9,00	S	*29X62.2X9★	32
2.439	2.449	.354			
1.145" SHAFT					
-	-	-	S	800300	VRS1
1.765	1.722	.070	S	*8734	#
1.153" SHAFT					
-	-	-	S	800300	VRS1
1.686	1.690	.437	S	*7392S	#
1.156" (1-5/32") SHAFT					
-	-	-	S	800300	VRS1
-	-	.375		*99120	Redi-Sleeve
1.575	1.580	.312	V	250437V	25
1.686	1.690	.250	S	474260	47
1.686	1.690	.375	S	450502	45
1.686	1.690	.375	S	*480502	48
1.752	1.756	.312	S	*451707	45
1.752	1.756	.312	S	471707	47
1.752	1.756	.312	N	471707N	47
1.828	1.832	.437	S	450482	45
1.828	1.832	.437	S	*480482	48
1.874	1.878	.250	S	471736	47
1.874	1.878	.250	S	*481736	48
1.874	1.878	.437	H	*482457H	48
1.875	1.878	.437	S	*450948	45
1.983	1.987	.250	N	*481748N	48
1.983	1.987	.375	S	*480906	48
1.983	1.987	.437	S	*450046	45

For Illustration and Material Data See Technical Section

Designed For A Specific Application - Not Recommended For General Use * Call 1-800-480-1212 For Price and Delivery ★ Metric Seal

Hsg. Bore	Seal O.D.	Seal Width	Lip Mat'l	Part No.	Type/Illus.	Hsg. Bore	Seal O.D.	Seal Width	Lip Mat'l	Part No.	Type/Illus.
1.156" (1-5/32") SHAFT (cont.)						30,00mm (1,181") SHAFT					
1.984	1.988	.250	V	*473428V	47	40,00	40,20	7,00	V	*30X40X7V★	32
1.984	1.988	.250	S	473428	47	1.575	1.583	.276			
2.000	2.004	.250	S	471764	47	40,00	40,23	7,00	S	30X40X7★	32
2.000	2.004	.375	S	481773	48	1.575	1.584	.276			
2.000	2.004	.437	S	450161	45	40,00	40,23	7,00	S	223005★	48
2.000	2.004	.437	H	*450161H	45	1.575	1.584	.276			
2.000	2.004	.437	V	*450161V	45	40,00	40,25	7,00	S	1129★	35
2.000	2.004	.437	S	*480161	48	1.575	1.585	.276			
2.062	2.066	.375	S	473427	47	30,00mm (1,181") SHAFT					
2.062	2.066	.437	S	*450051	45	40,80	41,00	7,00	S	*30X41X7★	32
2.062	2.066	.437	V	*450051V	45	1.606	1.614	.276			
2.062	2.066	.437	S	*470051	47	41,80	42,00	4,50	S	*30X42X4.5★	32
2.125	2.129	.437	S	450362	45	1.646	1.654	.177			
2.125	2.129	.437	S	470362	47	41,80	42,00	8,00	S	*30X42X8★	32
2.250	2.254	.500	S	*450600	45	1.646	1.654	.315			
2.834	2.839	.375	S	472239	47	41,80	42,00	10,00	S	*30X42X10★	32
1.170" SHAFT						30,00mm (1,181") SHAFT					
-	-	-	S	800300	VRS1	40,80	41,00	7,00	S	*30X41X7★	32
2.000	2.004	.250	S	*43069S	4S	1.606	1.614	.276			
2.031	2.035	.375	S	451182	45	41,80	42,00	4,50	S	*30X42X4.5★	32
1.175" SHAFT						30,00mm (1,181") SHAFT					
-	-	-	S	800300	VRS1	1.646	1.654	.177			
-	-	.313		*99122	Redi-Sleeve	41,80	42,00	8,00	S	*30X42X8★	32
1.771	1.775	.275	S	483488➔	48	1.646	1.654	.315			
1.828	1.832	.312	N	483054N	48	41,80	42,00	10,00	S	*30X42X10★	32
1.828	1.832	.312	V	*483054V	48	1.646	1.654	.394			
1.178" SHAFT						30,00mm (1,181") SHAFT					
-	-	-	S	800300	VRS1	42,00	42,20	7,00	S	30X42X7★	35
-	-	.313		*99122	Redi-Sleeve	1.654	1.661	.276			
1.654	1.659	.276	N	*3241	33	42,00	42,20	7,00	V	*30X42X7V★	32
2.447	2.452	.500	V	4813V➔	86	1.654	1.661	.276			
30,00mm (1,181") SHAFT						30,00mm (1,181") SHAFT					
-	-	-	S	800300	VRS1	42,00	42,20	7,00	S	223010★★➔	32
-	-	.315		99114	Redi-Sleeve	1.654	1.661	.276			
0,00	61,20	9,00	S	710516★	#	1.654	1.661	.276			
.000	2.409	.354				42,00	42,27	7,00	S	1970★	35
30,00mm (1,181") SHAFT						30,00mm (1,181") SHAFT					
36,80	37,00	6,00	S	*30X37X6★	32	1.654	1.664	.276			
1.449	1.457	.236				42,80	43,00	8,00	S	*30X43X8★	32
30,00mm (1,181") SHAFT						30,00mm (1,181") SHAFT					
37,00	37,30	3,50	S	710401★	#	1.685	1.693	.315			
1.457	1.461	.138				42,80	43,00	8,50	S	*30X43X8.5★	32
30,00mm (1,181") SHAFT						30,00mm (1,181") SHAFT					
37,80	38,00	5,00	S	*30X38X5★	32	1.685	1.693	.335			
1.488	1.496	.197				42,80	43,00	9,00	S	*30X43X9★	32
37,80	38,00	6,00	S	*30X38X6★	32	1.685	1.693	.354			
1.488	1.496	.236				43,80	44,00	9,00	S	*30X44X9★	32
37,80	38,00	7,00	S	*30X38X7★	32	1.724	1.732	.354			
1.488	1.496	.276				43,80	44,00	10,00	S	*30X44X10★	32
39,80	40,00	5,00	S	*30X40X5★	32	1.724	1.732	.394			
1.567	1.575	.197				30,00mm (1,181") SHAFT					
39,80	40,00	8,00	S	*30X40X8★	32	44,00	44,20	7,00	N	223012★★➔	32
1.567	1.575	.315				1.732	1.740	.276			
39,80	40,00	10,00	S	*30X40X10★	32	44,00	44,28	7,00	S	30X44X7★	32
1.567	1.575	.394				1.732	1.743	.276			
39,80	40,00	12,00	S	*30X40X12★	32	30,00mm (1,181") SHAFT					
1.567	1.575	.472				44,30	44,50	7,00	S	*30X44.5X7★	32
30,00mm (1,181") SHAFT						30,00mm (1,181") SHAFT					
37,80	38,00	5,00	S	*30X38X5★	32	1.744	1.752	.276			
1.488	1.496	.197				44,80	45,00	6,00	S	*30X45X6★	32
37,80	38,00	6,00	S	*30X38X6★	32	1.764	1.772	.236			
1.488	1.496	.236				44,80	45,00	7,00	S	*30X45X7★	32
37,80	38,00	7,00	S	*30X38X7★	32	1.764	1.772	.276			
1.488	1.496	.276				44,80	45,00	10,00	S	*30X45X10★	32
39,80	40,00	5,00	S	*30X40X5★	32	1.764	1.772	.394			
1.567	1.575	.197				44,80	45,00	13,00	S	*30X45X13★	32
39,80	40,00	8,00	S	*30X40X8★	32	1.764	1.772	.512			
1.567	1.575	.315				30,00mm (1,181") SHAFT					
39,80	40,00	10,00	S	*30X40X10★	32	45,00	45,22	5,00	S	30X45X5★	32
1.567	1.575	.394				1.772	1.780	.197			
39,80	40,00	12,00	S	*30X40X12★	32	45,00	45,20	6,00	S	223014★	32
1.567	1.575	.472				1.772	1.780	.236			

SIZE SECTION

For Illustration and Material Data See Technical Section
 # Designed For A Specific Application - Not Recommended For General Use ➔ Hydrodynamic Lip Design-CW * Call 1-800-480-1212 For Price and Delivery ★ Metric Seal

Size Section

NATIONAL®



Hsg. Bore	Seal O.D.	Seal Width	Lip Mat'l	Part No.	Type/Illus.	Hsg. Bore	Seal O.D.	Seal Width	Lip Mat'l	Part No.	Type/Illus.
30,00mm (1,181") SHAFT (cont.)						30,00mm (1,181") SHAFT					
45,00	45,20	8,00	S	30X45X8★	32	50,00	50,20	8,00	S	30X50X8★	48
1,772	1,780	.315				1,969	1,976	.315			
45,00	45,20	8,00	V	*30X45X8V★	35	50,00	50,20	10,00	V	*30X50X10V★	35
1,772	1,780	.315				1,969	1,976	.394			
45,00	45,20	8,00	S	710359★◀	#	50,00	50,23	7,00	S	30X50X7★	32
1,772	1,780	.315				1,969	1,978	.276			
45,00	45,20	15,00	S	2016★◀	#	50,00	50,23	7,00	S	223050★➡	32
1,772	1,780	.591				1,969	1,978	.276			
45,00	45,23	8,00	S	1981★	35	30,00mm (1,181") SHAFT					
1,772	1,781	.315				50,75	51,00	10,00	S	*30X51X10★	32
30,00mm (1,181") SHAFT						1,998	2,008	.394			
45,80	46,00	8,00	S	*30X46X8★	32	51,75	52,00	8,00	S	*30X52X8★	32
1,803	1,811	.315				2,037	2,047	.315			
30,00mm (1,181") SHAFT						51,75	52,00	10,00	S	*30X52X10★	32
46,00	46,20	7,00	S	30X46X7★	32	2,037	2,047	.394			
1,811	1,819	.276				51,75	52,00	11,00	S	*30X52X11★	32
46,00	46,23	7,00	S	223018★	32	2,037	2,047	.433			
1,811	1,820	.276				51,75	52,00	12,00	S	*30X52X12★	32
46,00	46,30	8,00	N	712001★➡	32	2,037	2,047	.472			
1,811	1,823	.315				30,00mm (1,181") SHAFT					
30,00mm (1,181") SHAFT						52,00	52,18	7,00	S	223035★	35
46,80	47,00	5,00	S	*30X47X5★	32	2,047	2,054	.276			
1,842	1,850	.197				52,00	52,20	10,00	V	*30X52X10V★	32
46,80	47,00	6,00	S	*30X47X6★	32	2,047	2,055	.394			
1,842	1,850	.236				52,00	52,23	7,00	S	30X52X7★	35
46,80	47,00	8,00	S	*30X47X8★	32	2,047	2,056	.276			
1,842	1,850	.315				30,00mm (1,181") SHAFT					
46,80	47,00	10,00	S	*30X47X10★	32	53,75	54,00	9,00	S	*30X54X9★	32
1,842	1,850	.394				2,116	2,126	.354			
30,00mm (1,181") SHAFT						30,00mm (1,181") SHAFT					
47,00	47,20	7,00	V	*30X47X7V★	32	54,00	54,20	9,00	S	710267★	32
1,850	1,858	.276				2,126	2,134	.354			
47,00	47,25	7,00	S	30X47X7★	32	30,00mm (1,181") SHAFT					
1,850	1,860	.276				54,75	55,00	8,00	S	*30X55X8★	32
47,00	47,25	8,00	S	223020★	35	2,155	2,165	.315			
1,850	1,860	.315				54,75	55,00	11,00	S	*30X55X11★	32
30,00mm (1,181") SHAFT						2,155	2,165	.433			
47,80	48,00	7,00	S	*30X48X7★	32	54,75	55,00	12,00	S	*30X55X12★	32
1,882	1,890	.276				2,155	2,165	.472			
47,80	48,00	10,00	S	*30X48X10★	32	30,00mm (1,181") SHAFT					
1,882	1,890	.394				55,00	55,20	7,00	S	30X55X7★	47
30,00mm (1,181") SHAFT						2,165	2,173	.276			
48,00	48,28	8,00	S	30X48X8★	32	55,00	55,20	10,00	V	*30X55X10V★	32
1,890	1,901	.315				2,165	2,173	.394			
48,00	48,30	8,00	S	714619★	35	55,00	55,28	10,00	S	30X55X10★	35
1,890	1,902	.315				2,165	2,176	.394			
30,00mm (1,181") SHAFT						30,00mm (1,181") SHAFT					
48,30	48,50	8,00	S	*30X48.5X8★	32	55,75	56,00	10,00	S	*30X56X10★	32
1,901	1,909	.315				2,195	2,205	.394			
48,80	49,00	8,00	S	*30X49X8★	32	55,75	56,00	12,00	S	*30X56X12★	32
1,921	1,929	.315				2,195	2,205	.472			
49,80	50,00	10,00	S	*30X50X10★	32	30,00mm (1,181") SHAFT					
1,961	1,969	.394				56,00	56,20	8,00	S	30X56X8★	35
49,80	50,00	11,00	S	*30X50X11★	32	2,205	2,213	.315			
1,961	1,969	.433				30,00mm (1,181") SHAFT					
49,80	50,00	11,00	S	*30X50X11★	32	30,00mm (1,181") SHAFT					
1,961	1,969	.433				30,00mm (1,181") SHAFT					
49,80	50,00	12,00	S	*30X50X12★	32	30,00mm (1,181") SHAFT					
1,961	1,969	.472				30,00mm (1,181") SHAFT					

For Illustration and Material Data See Technical Section

Designed For A Specific Application - Not Recommended For General Use ➡ Hydrodynamic Lip Design-CW ◀ Hydrodynamic Lip Design-CCW

* Call 1-800-480-1212 For Price and Delivery ★ Metric Seal

Hsg. Bore	Seal O.D.	Seal Width	Lip Mat'l	Part No.	Type/Illus.	Hsg. Bore	Seal O.D.	Seal Width	Lip Mat'l	Part No.	Type/Illus.
30,00mm (1.181") SHAFT						30,00mm (1.181") SHAFT					
56,75	57,00	10,00	S	*30X57X10★	32	68,00	68,20	8,00	S	*30X68X8★	32
2,234	2,244	.394				2,677	2,685	.315			
57,75	58,00	10,00	S	*30X58X10★	32	70,00	70,20	8,00	S	*30X70X8★	32
2,273	2,283	.394				2,756	2,764	.315			
30,00mm (1.181") SHAFT						30,00mm (1.181") SHAFT					
58,00	58,09	9,50	N	3907★↔	57	71,75	72,00	8,00	S	*30X72X8★	32
2,283	2,287	.374				2,825	2,835	.315			
58,00	58,20	8,00	S	*30X58X8★	32	30,00mm (1.181") SHAFT					
2,283	2,291	.315				30,00mm (1.181") SHAFT					
58,00	63,50	13,90	N	*3607★↔	57	72,00	72,14	9,50	V	*470442V★	47
2,283	2,500	.547				2,835	2,840	.374			
30,00mm (1.181") SHAFT						72,00	72,20	7,00	S	30X72X7★	47
30,00mm (1.181") SHAFT						2,835	2,843	.276			
59,75	60,00	7,00	S	*30X60X7★	32	72,00	72,20	8,00	V	*30X72X8V★	32
2,352	2,362	.276				2,835	2,843	.315			
59,75	60,00	10,00	S	*30X60X10★	32	72,00	72,27	10,00	S	30X72X10★	35
2,352	2,362	.394				2,835	2,845	.394			
30,00mm (1.181") SHAFT						30,00mm (1.181") SHAFT					
60,00	60,20	8,00	S	*30X60X8★	32	74,75	75,00	9,00	S	*30X75X9★	32
2,362	2,370	.315				2,943	2,953	.354			
30,00mm (1.181") SHAFT						74,75	75,00	10,00	S	*30X75X10★	32
30,00mm (1.181") SHAFT						2,943	2,953	.394			
61,75	62,00	5,00	S	*30X62X5★	32	76,72	77,00	9,00	S	*30X77X9★	32
2,431	2,441	.197				3,020	3,031	.354			
61,75	62,00	8,00	S	*30X62X8★	32	76,72	77,00	10,00	S	*30X77X10★	32
2,431	2,441	.315				3,020	3,031	.394			
61,75	62,00	9,00	S	*30X62X9★	32	79,72	80,00	10,00	S	*30X80X10★	32
2,431	2,441	.354				3,139	3,150	.394			
61,75	62,00	10,00	S	*30X62X10★	32	1.187" (1-3/16") SHAFT					
2,431	2,441	.394				-	-	-	S	800300	VRS1
61,75	62,00	11,00	S	*30X62X11★	32	-	-	.313		99118	Redi-Sleeve
2,431	2,441	.433				1,627	1,635	.250	S	340817	34
61,75	62,00	12,00	S	*30X62X12★	32	1,686	1,690	.375	S	470328	47
2,431	2,441	.472				1,686	1,690	.375	S	*480328	48
30,00mm (1.181") SHAFT						1.687	1.691	.250	S	481213	48
62,00	62,10	7,00	V	*473049V★	47	1,713	1,718	.500	S	*2551★	25
2,441	2,445	.276				1,716	1,720	.248	S	9487	68
62,00	62,10	9,50	S	*471353★	47	1,718	1,722	.550	S	*712133	#
2,441	2,445	.374				1.752	1.756	.250	S	473203	47
62,00	62,15	6,35	S	*43493★	4S	1,752	1,756	.250	S	*483203	48
2,441	2,447	.250				1,752	1,756	.312	S	*451708	45
62,00	62,20	7,00	V	*30X62X7V★	35	1,752	1,756	.312	S	*481708	48
2,441	2,449	.276				1,752	1,756	.375	S	*450868	45
62,00	62,28	7,00	S	30X62X7★	32	1.828	1.832	.375	S	473425	47
2,441	2,452	.276				1,828	1,832	.437	S	*410344	41
30,00mm (1.181") SHAFT						1,828	1,832	.437	S	*450344	45
64,75	65,00	10,00	S	*30X65X10★	32	1,828	1,832	.437	S	*470344	47
2,549	2,559	.394				1,828	1,832	.437	S	*480344	48
30,00mm (1.181") SHAFT						1.874	1.878	.250	S	472475	47
65,00	65,20	8,00	S	*30X65X8★	32	1,874	1,878	.250	S	*482475	48
2,559	2,567	.315				1,874	1,878	.437	S	*411456	41
65,00	65,23	34,00	S	710065★	#	1,874	1,878	.437	S	*451456	45
2,559	2,568	1.339				1,874	1,878	.437	S	*471456	47
30,00mm (1.181") SHAFT						1,874	1,878	.437	S	*481456	48
67,75	68,00	10,00	S	*30X68X10★	32	1,968	1,972	.468	S	*203055	203
2,667	2,677	.394				1,983	1,987	.250	S	*471749	47
						1.983	1.987	.375	S	473426	47
						1,983	1,987	.437	S	*410047	41
						1,983	1,987	.437	S	*450047	45
						1,983	1,987	.437	S	*470047	47
						1,983	1,987	.437	S	*480047	48
						1,996	2,000	.250	S	40576S	4S
						2,000	2,004	.250	S	40162S	4S
						2.000	2.004	.250	S	471765	47
						2,000	2,004	.250	N	*471765N	47

SIZE SECTION

For Illustration and Material Data See Technical Section
 # Designed For A Specific Application - Not Recommended For General Use ↔ Hydrodynamic Lip Design-CCW ↔ Hydrodynamic Lip Design-Bidirectional
 * Call 1-800-480-1212 For Price and Delivery ★ Metric Seal

Size Section

NATIONAL®

Hsg. Bore	Seal O.D.	Seal Width	Lip Mat'l	Part No.	Type/ Illus.
1.187" (1-3/16") SHAFT (cont.)					
2.000	2.004	.250	S	*481765	48
2.000	2.004	.437	S	*410162	41
2.000	2.004	.437	N	*410162N	41
2.000	2.004	.437	S	*450162	45
2.000	2.004	.437	N	*450162N	45
2.000	2.004	.437	S	470162	47
2.000	2.004	.437	N	*470162N	47
2.000	2.004	.437	S	*480162	48
2.047	2.051	.250	S	43076S	4S
2.047	2.051	.437	S	453063	45
2.062	2.066	.250	S	*471354	47
2.062	2.066	.250	S	*481354	48
2.062	2.066	.250	N	*481354N	48
2.062	2.066	.375	S	*452585	45
2.062	2.066	.375	S	*482585	48
2.062	2.066	.437	S	*410052	41
2.062	2.066	.437	S	*450052	45
2.062	2.066	.437	S	*470052	47
2.062	2.066	.437	S	*480052	48
2.125	2.129	.250	S	*473205	47
2.125	2.129	.250	S	*483205	48
2.125	2.129	.375	S	*413293	41
2.125	2.129	.375	N	*413293N	41
2.125	2.129	.437	S	*410152	41
2.125	2.129	.437	N	*410152N	41
2.125	2.129	.437	S	*450152	45
2.125	2.129	.437	S	*470152	47
2.125	2.129	.437	S	*480152	48
2.165	2.169	.250	S	*472350	47
2.165	2.169	.250	S	*482350	48
2.250	2.254	.250	S	*474255	47
2.250	2.254	.500	S	*410336	41
2.250	2.254	.500	S	*450336	45
2.250	2.254	.500	H	*450336H	45
2.250	2.254	.500	S	470336	47
2.250	2.254	.500	S	*480336	48
2.437	2.441	.250	S	*474254	47
2.437	2.441	.468	S	*450347	45
2.437	2.441	.468	S	470347	47
2.441	2.445	.250	S	*474256	47
2.441	2.445	.375	S	472432	47
2.686	2.690	.500	S	*470946	47
30,20mm (1.189") SHAFT					
-	-	-	S	800300	VRS1
-	-	.313		99118	Redi-Sleeve
42.00	42.10	6.00	V	710340★	44
1.654	1.657	.236			
1.190" SHAFT					
-	-	-	S	800300	VRS1
-	-	.313		99118	Redi-Sleeve
1.889	1.892	.651	V	*4748V↔	#
1.969	1.975	.261	N	*4738N↔	48
1.969	1.975	.312	V	*4738V↔	48
2.122	2.128	.350	S	710068	#
30,50mm (1.201") SHAFT					
51.75	52.00	8.00	S	*30.5X52X8★	32
2.037	2.047	.315			
1.218" SHAFT					
-	-	-	S	800300	VRS1
-	-	.315		99123	Redi-Sleeve
1.968	1.972	.468	S	203016	203
1.979	1.983	.250	S	441319	44
1.979	1.983	.406	S	203025	203

Hsg. Bore	Seal O.D.	Seal Width	Lip Mat'l	Part No.	Type/ Illus.
1.218" SHAFT (cont.)					
1.983	1.987	.437	S	*450048	45
2.000	2.004	.437	S	*450173	45
2.062	2.066	.375	S	*454242	45
31,00mm (1.220") SHAFT					
-	-	-	S	800300	VRS1
-	-	-	S	800320	VRS1
-	-	-	S	800321	VRS2
-	-	-	V	800324	VRS1
-	-	.315		99123	Redi-Sleeve
42.00	42.20	8.00	V	710172★	35
1.654	1.661	.315			
44.00	44.20	8.00	S	31X44X8★	32
1.732	1.740	.315			
46.00	46.20	8.00	N	710332★↔	32
1.811	1.819	.315			
46.00	46.28	8.00	V	1121★↔	32
1.811	1.822	.315			
46.80	47.00	10.00	S	*31X47X10★	32
1.842	1.850	.394			
48.80	49.00	7.00	S	*31X49X7★	32
1.921	1.929	.276			
49.80	50.00	8.00	S	*31X50X8★	32
1.961	1.969	.315			
51.75	52.00	6.00	S	*31X52X6★	32
2.037	2.047	.236			
51.75	52.00	7.00	S	*31X52X7★	32
2.037	2.047	.276			
1.238" SHAFT					
-	-	-	S	800320	VRS1
-	-	-	S	800321	VRS2
-	-	-	V	800324	VRS1
-	-	.315		*99141	Redi-Sleeve
2.250	2.254	.500	S	8293S	48
1.247" SHAFT					
-	-	-	S	800320	VRS1
-	-	-	S	800321	VRS2
-	-	-	V	800324	VRS1
-	-	.313		99125	Redi-Sleeve
-	2.633	.480	S	8429S	#
1.687	1.691	.312	S	6859S	33
1.250" (1-1/4") SHAFT					
-	-	-	S	800320	VRS1
-	-	-	S	800321	VRS2
-	-	-	V	800324	VRS1
-	-	.313		99125	Redi-Sleeve
1.250	1.838	.187	S	240949	24
1.499	1.505	.125	S	343186	34
1.499	1.509	.156	S	240736	24
1.625	1.630	.188	S	*251511	25
1.685	1.691	.252	S	323126	32
1.686	1.690	.375	S	480356	48
1.686	1.690	.375	V	*480356V	48
1.686	1.691	.250	S	*473135	47
1.686	1.691	.250	V	*473135V	47
1.686	1.691	.250	S	*474278	47
1.686	1.691	.375	S	*330356	33
1.686	1.692	.219	S	353135	35
1.686	1.696	.218	S	340356	34
1.686	1.697	.187	S	240356	24
1.687	1.693	.250	S	322353	32
1.750	1.754	.250	H	*7412H	48
1.750	1.754	.250	S	7412S↔	48

For Illustration and Material Data See Technical Section

Designed For A Specific Application - Not Recommended For General Use ↗ Hydrodynamic Lip Design-CW ↖ Hydrodynamic Lip Design-CCW

↔ Hydrodynamic Lip Design-Bidirectional * Call 1-800-480-1212 For Price and Delivery ★ Metric Seal

Hsg. Bore	Seal O.D.	Seal Width	Lip Mat'l	Part No.	Type/Illus.	Hsg. Bore	Seal O.D.	Seal Width	Lip Mat'l	Part No.	Type/Illus.
1.250" (1-1/4") SHAFT (cont.)						1.250" (1-1/4") SHAFT (cont.)					
1.750	1.754	.250	S	*9674	48	2.000	2.004	.375	S	*480652	48
1.750	1.754	.250	S	712025	#	2.000	2.004	.437	V	470163V	47
1.750	1.754	.375	N	*481203N	48	2.000	2.004	.437	N	*3438N	#
1.750	1.756	.250	U	710014	#	2.000	2.004	.437	S	410163	41
1.752	1.756	.250	S	40140S	4S	2.000	2.004	.437	N	*410163N	41
1.752	1.756	.250	S	471413	47	2.000	2.004	.437	S	*450163	45
1.752	1.756	.250	A	471413A	47	2.000	2.004	.437	N	*450163N	45
1.752	1.756	.250	N	*471413N	47	2.000	2.004	.437	S	470163	47
1.752	1.756	.250	V	471413V	47	2.000	2.004	.437	N	*470163N	47
1.752	1.756	.250	S	*481413	48	2.000	2.004	.437	S	*480163	48
1.752	1.756	.250	V	*481413V	48	2.031	2.035	.375	N	*471781N	47
1.752	1.756	.300	S	*5683++	32	2.047	2.051	.375	S	473551	47
1.752	1.756	.312	S	*411709	41	2.062	2.066	.250	V	471787V	47
1.752	1.756	.312	V	*411709V	41	2.062	2.066	.250	S	41787S	4S
1.752	1.756	.312	S	*451709	45	2.062	2.066	.250	S	*451787	45
1.752	1.756	.312	H	*451709H	45	2.062	2.066	.250	S	471787	47
1.752	1.756	.312	S	471709	47	2.062	2.066	.250	A	471787A	47
1.752	1.756	.312	H	*471709H	47	2.062	2.066	.250	S	*481787	48
1.752	1.756	.312	N	*471709N	47	2.062	2.066	.250	N	*481787N	48
1.752	1.756	.312	V	*471709V	47	2.062	2.066	.375	S	*451134	45
1.752	1.756	.312	S	*481709	48	2.062	2.066	.375	S	*481134	48
1.752	1.756	.375	L	51083	5L	2.062	2.066	.437	S	*410244	41
1.752	1.756	.375	S	*481083	48	2.062	2.066	.437	S	*450244	45
1.752	1.756	.375	N	*481083N	48	2.062	2.066	.437	N	*450244N	45
1.752	1.756	.375	V	*481083V	48	2.062	2.066	.437	S	470244	47
1.752	1.756	.399	S	*5684++	32	2.062	2.066	.437	S	*480244	48
1.752	1.756	.437	S	*450140	45	2.106	2.110	.468	S	*410177	41
1.752	1.756	.437	N	*450140N	45	2.106	2.110	.468	S	450177	45
1.752	1.756	.437	S	*470140	47	2.125	2.129	.250	V	471795V	47
1.752	1.756	.437	N	470140N	47	2.125	2.129	.250	S	471795	47
1.752	1.756	.437	N	*480140N	48	2.125	2.129	.250	N	471795N	47
1.780	1.785	.468	S	*203045	203	2.125	2.129	.250	S	*481795	48
1.812	1.817	.235	T	39713	DW-H	2.125	2.129	.268	V	*470368V	47
1.874	1.878	.250	V	471737V	47	2.125	2.129	.437	S	*410245	41
1.874	1.878	.250	S	*40683S	4S	2.125	2.129	.437	S	*450245	45
1.874	1.878	.250	S	471737	47	2.125	2.129	.437	N	*450245N	45
1.874	1.878	.250	S	*481737	48	2.125	2.129	.437	S	470245	47
1.874	1.878	.250	V	*481737V	48	2.125	2.129	.437	S	*480245	48
1.874	1.878	.375	S	*470683	47	2.126	2.130	.375	N	482230N	48
1.874	1.878	.375	S	*480683	48	2.133	2.137	.313	S	*1070	35
1.874	1.878	.437	S	*411246	41	2.250	2.254	.250	S	42081S	4S
1.874	1.878	.437	S	*471246	47	2.250	2.254	.435	S	7686S	25
1.874	1.878	.437	S	*481246	48	2.250	2.254	.500	S	*410165	41
1.955	1.960	.435	S	3199	48	2.250	2.254	.500	S	*450165	45
1.968	1.972	.468	S	*204012	204	2.250	2.254	.500	H	*450165H	45
1.968	1.972	.468	S	6906S	204	2.250	2.254	.500	S	470165	47
1.968	1.972	.468	S	203012	203	2.250	2.254	.500	S	*480165	48
1.979	1.983	.250	S	204507	204	2.252	2.256	.375	S	471801	47
1.979	1.983	.375	S	*470706	47	2.252	2.256	.375	H	*471801H	47
1.979	1.983	.406	S	203029	203	2.252	2.256	.375	S	*481801	48
1.979	1.983	.406	S	204029	204	2.252	2.256	.375	N	*481801N	48
1.979	1.983	.468	S	*204024	204	2.374	2.378	.375	S	471808	47
1.983	1.987	.250	S	7781S	203	2.374	2.378	.375	S	*481808	48
1.983	1.987	.250	S	471750	47	2.374	2.378	.500	S	*410559	41
1.983	1.987	.250	A	471750A	47	2.374	2.378	.500	S	*450559	45
1.983	1.987	.250	V	471750V	47	2.374	2.378	.500	S	*470559	47
1.983	1.987	.250	S	*481750	48	2.374	2.378	.500	S	*480559	48
1.983	1.987	.437	S	*410049	41	2.398	2.402	.228	S	710101	#
1.983	1.987	.437	S	*450049	45	2.437	2.441	.250	S	*453760	45
1.983	1.987	.437	N	*450049N	45	2.437	2.441	.375	S	471818	47
1.983	1.987	.437	S	470049	47	2.437	2.441	.375	S	*481818	48
1.983	1.987	.437	S	*480049	48	2.437	2.441	.468	S	*410481	41
2.000	2.004	.250	S	40652S	4S	2.437	2.441	.468	S	*450481	45
2.000	2.004	.250	S	471766	47	2.437	2.441	.468	S	*470481	47
2.000	2.004	.250	A	471766A	47	2.437	2.441	.468	S	*480481	48
2.000	2.004	.250	V	471766V	47	2.441	2.445	.375	S	471407	47
2.000	2.004	.250	S	*481766	48	2.441	2.445	.375	S	*481407	48
2.000	2.004	.290	S	200338	200	2.502	2.506	.375	S	471833	47
2.000	2.004	.375	S	*450652	45	2.502	2.506	.375	S	*481833	48
2.000	2.004	.375	H	*450652H	45	2.502	2.506	.500	S	*411842	41
2.000	2.004	.375	V	*450652V	45	2.561	2.565	.500	N	471845N	47
2.000	2.004	.375	S	*470652	47	2.561	2.565	.500	S	451845	45

SIZE SECTION

For Illustration and Material Data See Technical Section
 # Designed For A Specific Application - Not Recommended For General Use ➔ Hydrodynamic Lip Design-CW ↔ Hydrodynamic Lip Design-Bidirectional
 ++ Not Sold Separately * Call 1-800-480-1212 For Price and Delivery

Hsg. Bore	Seal O.D.	Seal Width	Lip Mat'l	Part No.	Type/ Illus.	Hsg. Bore	Seal O.D.	Seal Width	Lip Mat'l	Part No.	Type/ Illus.
1.250" (1-1/4") SHAFT (cont.)						32,00mm (1.260") SHAFT (cont.)					
2.686	2.690	.375	S	481859	48	45,00	45,23	7,00	S	223230★	32
2.713	2.717	.468	S	*410341	41	1.772	1.781	.276			
2.713	2.717	.468	S	450341	45	45,00	45,23	7,00	S	32X45X7★	32
2.835	2.839	.468	S	*410806	41	1.772	1.781	.276			
2.835	2.839	.468	S	*450806	45	45,80	46,00	7,00	S	*32X46X7★	32
2.835	2.839	.468	S	470806	47	1.803	1.811	.276			
2.835	2.839	.468	S	*480806	48	45,80	46,00	8,00	S	*32X46X8★	32
2.877	2.881	.250	S	472536	47	1.803	1.811	.315			
3.150	3.155	.375	S	*472651	47	46,00	46,20	6,00	N	*324115N★	32
3.150	3.155	.375	V	472651V	47	1.811	1.819	.236			
3.155	3.160	.500	S	453279	45	46,00	46,23	6,00	S	32X46X6★	32
32,00mm (1.260") SHAFT											
-	-	-	S	800320	VRS1	1.811	1.820	.236			
-	-	-	S	800321	VRS2	46,00	46,23	6,00	N	223235★	32
-	-	-	V	800324	VRS1	1.811	1.820	.236			
-	-	.315		99128	Redi-Sleeve	1.842	1.850	.315			
39,80	40,00	7,00	S	*32X40X7★	32	46,80	47,00	10,00	S	*32X47X10★	32
1.567	1.575	.276				1.842	1.850	.394			
39,80	40,00	10,00	S	*32X40X10★	32	47,00	47,20	6,00	N	710310★➔	32
1.567	1.575	.394				1.850	1.858	.236			
40,00	40,15	5,00	S	223210★	34	47,00	47,20	7,00	V	*32X47X7V★	32
1.575	1.581	.197				1.850	1.858	.276			
40,80	41,00	7,00	S	*32X41X7★	32	47,00	47,20	8,00	S	*580387★➔	32
1.606	1.614	.276				1.850	1.858	.315			
41,80	42,00	6,00	S	*32X42X6★	32	47,00	47,23	7,00	S	32X47X7★	35
1.646	1.654	.236				1.850	1.859	.276			
42,00	42,20	7,00	S	32X42X7★	35	47,00	47,24	10,00	N	3476★➔	32
1.654	1.661	.276				1.850	1.860	.394			
42,00	42,20	8,00	S	32X42X8★	32	47,80	48,00	7,00	S	*32X48X7★	32
1.654	1.661	.315				1.882	1.890	.276			
42,00	42,20	8,00	S	710282★	32	47,80	48,00	10,00	S	*32X48X10★	32
1.654	1.661	.315				1.882	1.890	.394			
42,00	42,20	10,00	S	223215★◀	32	48,00	48,20	7,00	S	710327★➔	32
1.654	1.661	.394				1.890	1.898	.276			
43,00	43,20	7,00	S	32X43X7★	32	48,00	48,20	8,00	S	32X48X8★	32
1.693	1.701	.276				1.890	1.898	.315			
43,00	43,20	7,00	S	710370★	32	48,00	48,20	8,00	V	*32X48X8V★	35
1.693	1.701	.276				1.890	1.898	.315			
43,00	43,28	4,00	N	*4596★	35	48,00	48,20	9,00	N	223240★	40
1.693	1.704	.157				1.890	1.898	.354			
43,80	44,00	5,00	S	*32X44X5★	32	48,00	48,20	10,00	S	710317★◀	32
1.724	1.732	.197				1.890	1.898	.394			
43,80	44,00	6,00	S	*32X44X6★	32	49,80	50,00	7,00	S	*32X50X7★	32
1.724	1.732	.236				1.961	1.969	.276			
43,80	44,00	7,00	S	*32X44X7★	32	49,80	50,00	10,00	S	*32X50X10★	32
1.724	1.732	.276				1.961	1.969	.394			
43,80	44,00	8,00	S	*32X44X8★	32	50,00	50,14	8,00	V	710164★	48
1.724	1.732	.315				1.969	1.974	.315			
43,80	44,00	8,00	S	*32X44X8★	32	50,00	50,20	10,00	V	*32X50X10V★	35
1.724	1.732	.315				1.969	1.976	.394			
43,80	44,00	9,00	S	*32X44X9★	32	50,00	50,23	8,00	S	32X50X8★	35
1.724	1.732	.354				1.969	1.978	.315			
43,80	44,00	10,00	S	*32X44X10★	32	50,00	50,23	8,00	S	223250★➔	32
1.724	1.732	.394				1.969	1.978	.315			
44,00	44,23	6,00	N	223220★➔	32	50,00	50,23	8,00	S	710415★➔	32
1.732	1.741	.236				1.969	1.978	.315			
44,30	44,50	8,00	S	*32X44.5X8★	32	51,75	52,00	8,00	S	*32X52X8★	32
1.744	1.752	.315				2.037	2.047	.315			
44,30	44,50	10,00	S	*32X44.5X10★	32	51,75	52,00	10,00	S	*32X52X10★	32
1.744	1.752	.394				2.037	2.047	.394			
44,80	45,00	6,00	S	*32X45X6★	32	51,75	52,00	11,00	S	*32X52X11★	32
1.764	1.772	.236				2.037	2.047	.433			
44,80	45,00	6,50	S	*32X45X6.5★	32	51,75	52,00	12,00	S	*32X52X12★	32
1.764	1.772	.256				2.037	2.047	.472			
44,80	45,00	8,00	S	*32X45X8★	32	52,00	52,20	7,00	V	*32X52X7V★	35
1.764	1.772	.315				2.047	2.055	.276			
44,80	45,00	10,00	S	*32X45X10★	32	52,00	52,20	10,00	S	710306★◀	32
1.764	1.772	.394				2.047	2.055	.394			
45,00	45,21	6,00	V	320348★➔	32	52,00	52,25	11,00	N	1167★	32
1.772	1.780	.236				2.047	2.057	.433			

For Illustration and Material Data See Technical Section

➔ Hydrodynamic Lip Design-CW ◀ Hydrodynamic Lip Design-CCW * Call 1-800-480-1212 For Price and Delivery ★ Metric Seal

Hsg. Bore	Seal O.D.	Seal Width	Lip Mat'l	Part No.	Type/Illus.	Hsg. Bore	Seal O.D.	Seal Width	Lip Mat'l	Part No.	Type/Illus.
32,00mm (1.260") SHAFT (cont.)						1.281" (1-9/32") SHAFT (cont.)					
52,00	52,28	7,00	S	32X52X7★	32	2.000	2.004	.375	S	473424	47
2,047	2,058	.276				2,000	2,004	.437	S	*450164	45
52,00	52,28	7,00	S	223255★	35	2,000	2,006	.250	S	353137	35
2,047	2,058	.276				2,062	2,066	.437	S	*450124	45
52,00	52,28	11,00	N	223252★◄	32	33,00mm (1.299") SHAFT					
2,047	2,058	.433				-	-	-	S	800320	VRS1
52,75	53,00	7,00	S	*32X53X7★	32	-	-	-	S	800321	VRS2
2,077	2,087	.276				-	-	-	V	800324	VRS1
53,00	53,28	7,00	N	223253★➡	32	43,80	44,00	7,00	S	*33X44X7★	32
2,087	2,098	.276				1,724	1,732	.276			
53,75	54,00	8,00	S	*32X54X8★	32	43,80	44,00	8,00	S	*33X44X8★	32
2,116	2,126	.315			#	1,724	1,732	.315			
54,00	54,20	10,00	S	2008★&	#	44,00	44,18	7,00	S	710070★	47
2,126	2,134	.394				1,732	1,739	.276			
54,00	54,23	10,00	S	32X54X10★	32	44,80	45,00	8,00	S	*33X45X8★	32
2,126	2,135	.394				1,764	1,772	.315			
54,75	55,00	6,50	S	*32X55X6.5★	32	44,80	45,00	10,00	S	*33X45X10★	32
2,155	2,165	.256				1,764	1,772	.394			
54,75	55,00	7,00	S	*32X55X7★	32	1,779	1,784	.256	T	39879◄➡	FW-H
2,155	2,165	.276				45,80	46,00	7,00	S	*33X46X7★	32
54,75	55,00	8,00	S	*32X55X8★	32	1,803	1,811	.276			
2,155	2,165	.315				46,43	46,53	9,53	N	6370N★	33
54,75	55,00	10,00	S	*32X55X10★	32	1,828	1,832	.375			
2,155	2,165	.433				46,80	47,00	8,00	S	*33X47X8★	32
55,75	56,00	8,00	S	*32X56X8★	32	1,842	1,850	.315			
2,195	2,205	.315				47,00	47,20	8,00	S	223340★➡	32
56,00	56,28	10,00	S	32X56X10★	32	1,850	1,858	.315			
2,205	2,216	.394				47,10	47,30	7,00	S	*33X47.3X7★	32
57,75	58,00	10,00	S	*32X58X10★	32	1,854	1,862	.276			
2,273	2,283	.394				47,80	48,00	6,00	S	*33X48X6★	32
57,75	58,00	12,00	S	*32X58X12★	32	1,882	1,890	.236			
2,273	2,283	.472				47,80	48,00	8,00	S	*33X48X8★	32
58,00	58,20	8,00	S	32X58X8★	32	1,882	1,890	.315			
2,283	2,291	.315				49,00	49,23	8,00	N	710236★➡	32
58,00	58,29	12,70	S	*1204★	32	1,929	1,938	.315			
2,283	2,295	.500				49,80	50,00	6,00	S	*33X50X6★	32
60,00	60,20	8,00	S	32X60X8★	32	1,961	1,969	.236			
2,362	2,370	.315				49,80	50,00	7,00	S	*33X50X7★	32
60,00	60,20	10,00	S	32X60X10★	48	1,961	1,969	.276			
2,362	2,370	.394				49,80	50,00	10,00	S	*33X50X10★	32
61,75	62,00	10,00	S	*32X62X10★	32	1,961	1,969	.394			
2,431	2,441	.394				50,00	50,20	7,00	S	710328★	35
61,75	62,00	12,00	S	*32X62X12★	32	1,969	1,976	.276			
2,431	2,441	.472				50,00	50,25	12,00	S	33X50X12★	32
62,00	62,20	8,00	S	32X62X8★	32	1,969	1,978	.472			
2,441	2,449	.315				50,00	50,25	12,00	S	1168★	32
64,75	65,00	7,50	S	*32X65X7.5★	32	1,969	1,978	.472			
2,549	2,559	.295				56,00	56,23	8,00	N	710132★	#
64,75	65,00	8,00	S	*32X65X8★	32	2,008	2,214	.315			
2,549	2,559	.315				51,75	52,00	5,00	S	*33X52X5★	32
64,75	65,00	10,00	S	*32X65X10★	32	2,037	2,047	.197			
2,549	2,559	.394				51,75	52,00	10,00	S	*33X52X10★	32
69,75	70,00	8,00	S	*32X70X8★	32	2,037	2,047	.394			
2,746	2,756	.315				51,92	52,02	12,45	S	3348★◄➡	47
69,75	70,00	11,00	S	*32X70X11★	32	2,044	2,048	.490			
2,746	2,756	.433				52,00	52,25	6,00	S	33X52X6★	32
71,75	72,00	10,00	S	*32X72X10★	32	2,047	2,057	.236			
2,825	2,835	.394				54,75	55,00	10,00	S	*33X55X10★	32
72,00	72,20	8,00	S	32X72X8★	32	2,155	2,165	.394			
2,835	2,843	.315				55,75	56,00	10,00	S	*33X56X10★	32
1.281" (1-9/32") SHAFT						55,75	56,00	12,00	S	*33X56X12★	32
-	-	-	S	800320	VRS1	2,195	2,205	.472			
-	-	-	S	800321	VRS2	59,00	59,20	17,00	N	710124★	#
-	-	-	V	800324	VRS1	2,323	2,331	.669			
1,752	1,756	.375	S	51032S	5S	61,75	62,00	7,00	S	*33X62X7★	32
1,983	1,987	.437	S	*450050	45	2,431	2,441	.276			
1,983	1,987	.437	S	470050	47	71,75	72,00	10,00	S	*33X72X10★	32
1,997	2,005	.375	S	*350878	35	2,825	2,835	.394			

SIZE SECTION

For Illustration and Material Data See Technical Section
 # Designed For A Specific Application - Not Recommended For General Use ➡ Hydrodynamic Lip Design-CW ◄ Hydrodynamic Lip Design-CCW
 ◄ Hydrodynamic Lip Design-Bidirectional & Flanged O.D. * Call 1-800-480-1212 For Price and Delivery ★ Metric Seal

Hsg. Bore	Seal O.D.	Seal Width	Lip Mat'l	Part No.	Type/Illus.
33,00mm (1.299") SHAFT (cont.)					
89.90	89.60	40.00	N	5210★⑤	35
3.539	3.528	1.575			
1.301" SHAFT					
-	-	-	S	800350	VRS1
-	-	-	V	800354	VRS1
-	-	-	V	800355	VRS2
2.000	2.004	.437	S	471193	47
2.000	2.004	.437	N	471193N	47
2.000	2.004	.437	N	*481193N	48
2.620	2.625	.315	S	710043	#
1.312" (1-5/16") SHAFT					
-	-	-	S	800350	VRS1
-	-	-	V	800354	VRS1
-	-	-	V	800355	VRS2
-	-	.250		99129	Redi-Sleeve
-	-	.500		99131	Redi-Sleeve
1.625	1.662	.156	N	722108	VRS1
1.627	.000	.331	S	710455	#
1.750	1.758	.250	S	*342214	34
1.752	1.760	.187	S	240716	24
1.828	1.833	.250	T	39904⑤	FF
1.874	1.878	.375	S	473423	47
1.874	1.878	.437	S	*410521	41
1.874	1.878	.437	S	*450521	45
1.874	1.878	.437	S	*470521	47
1.874	1.878	.437	S	*480521	48
1.983	1.987	.375	S	473422	47
1.983	1.987	.437	S	*471755	47
2.000	2.004	.250	S	*43093S	4S
2.000	2.004	.312	S	473210	47
2.000	2.004	.312	V	*473210V	47
2.000	2.004	.375	S	*470561	47
2.000	2.004	.375	S	*480561	48
2.000	2.004	.437	S	*411352	41
2.062	2.066	.312	S	472826	47
2.062	2.066	.375	S	*484178	48
2.062	2.066	.437	S	*410129	41
2.062	2.066	.437	S	470129	47
2.062	2.066	.437	S	*480129	48
2.097	2.105	.375	F	*712135	#
2.106	2.110	.375	S	473421	47
2.106	2.110	.468	S	*410179	41
2.106	2.110	.468	S	*450179	45
2.125	2.129	.312	S	473211	47
2.125	2.129	.437	S	*410247	41
2.125	2.129	.437	N	*410247N	41
2.125	2.129	.437	S	*450247	45
2.125	2.129	.437	S	*470247	47
2.125	2.129	.437	S	*480247	48
2.166	2.170	.375	S	473812	47
2.250	2.254	.312	S	473212	47
2.250	2.254	.312	A	473212A	47
2.250	2.254	.500	S	*410167	41
2.250	2.254	.500	S	*450167	45
2.250	2.254	.500	S	*470167	47
2.250	2.254	.500	S	*480167	48
2.282	2.286	.250	S	40769S	4S
2.374	2.378	.250	S	*40053S	4S
2.374	2.378	.312	S	473213	47
2.374	2.378	.500	S	*410053	41
2.374	2.378	.500	S	*450053	45
2.374	2.378	.500	S	*470053	47
2.374	2.378	.500	S	*480053	48
2.437	2.441	.468	S	*410503	41
2.437	2.441	.468	S	*450503	45
2.437	2.441	.468	S	470503	47
2.437	2.441	.468	S	*480503	48

Hsg. Bore	Seal O.D.	Seal Width	Lip Mat'l	Part No.	Type/Illus.
1.312" (1-5/16") SHAFT (cont.)					
2.502	2.506	.375	S	481834	48
2.750	2.754	.500	S	*481901	48
2.835	2.839	.468	S	471904	47
2.875	2.879	.437	S	*451905	45
2.996	3.001	.500	S	450147	45
1.318" SHAFT					
-	-	-	S	800350	VRS1
-	-	-	V	800354	VRS1
-	-	-	V	800355	VRS2
2.280	2.286	.906	S	5131↔	#
2.620	2.625	.875	S	2300	#
1.322" SHAFT					
-	-	-	S	800350	VRS1
-	-	-	V	800354	VRS1
-	-	-	V	800355	VRS2
2.227	2.231	.375	S	484058	48
1.326" SHAFT					
-	-	-	S	800350	VRS1
-	-	-	V	800354	VRS1
-	-	-	V	800355	VRS2
2.061	2.065	.375	S	484054	48
2.226	2.231	.500	S	*3145	#
2.226	2.247	.500	S	5124	48
2.312	2.316	.435	S	9161	48
34,00mm (1.339") SHAFT					
-	-	-	S	800350	VRS1
-	-	-	V	800354	VRS1
-	-	-	V	800355	VRS2
-	-	.500		99134	Redi-Sleeve
41.80	42.00	5.00	S	*34X42X5★	32
1.646	1.654	.197			
43.80	44.00	7.00	S	*34X44X7★	32
1.724	1.732	.276			
43.80	44.00	8.00	S	*34X44X8★	32
1.724	1.732	.315			
44.00	44.23	8.00	N	223400★	32
1.732	1.741	.315			
45.00	45.20	8.00	S	34X45X8★	32
1.772	1.780	.315			
45.80	46.00	8.00	S	*34X46X8★	32
1.803	1.811	.315			
46.80	47.00	8.00	S	*34X47X8★	32
1.842	1.850	.315			
46.80	47.00	9.00	S	*34X47X9★	32
1.842	1.850	.354			
47.80	48.00	7.00	S	*34X48X7★	32
1.882	1.890	.276			
47.80	48.00	8.00	S	*34X48X8★	32
1.882	1.890	.315			
48.00	48.20	7.00	S	*580388↔	32
1.890	1.898	.276			
48.00	48.28	7.50	S	710416★	35
1.890	1.901	.295			
48.00	48.28	7.50	S	223410★	35
1.890	1.901	.295			
48.00	48.28	8.00	N	223420↔	32
1.890	1.901	.315			
49.80	50.00	7.00	S	*34X50X7★	32
1.961	1.969	.276			
49.80	50.00	8.00	S	*34X50X8★	32
1.961	1.969	.315			
49.80	50.00	10.00	S	*34X50X10★	32
1.961	1.969	.394			

For Illustration and Material Data See Technical Section

Designed For A Specific Application - Not Recommended For General Use ↔ Hydrodynamic Lip Design-CW ↔ Hydrodynamic Lip Design-Bidirectional
 ⑤ Seal & Installation Sleeve * Call 1-800-480-1212 For Price and Delivery ★ Metric Seal

Hsg. Bore	Seal O.D.	Seal Width	Lip Mat'l	Part No.	Type/Illus.	Hsg. Bore	Seal O.D.	Seal Width	Lip Mat'l	Part No.	Type/Illus.
34,00mm (1.339") SHAFT (cont.)						1.343" (1-11/32") SHAFT (cont.)					
49,80	50,00	12,00	S	*34X50X12★	32	2.374	2.378	.500	S	450054	45
1,961	1,969	.472				2,441	2,445	.375	S	483793	48
50,00	50,20	8,00	N	223430★↔	35	1.350" SHAFT					
1,969	1,976	.315				-	-	-	S	800350	VRS1
50,00	50,20	8,00	N	710417★	35	-	-	-	V	800354	VRS1
1,969	1,976	.315				-	-	-	V	800355	VRS2
51,75	52,00	10,00	S	*34X52X10★	32	1,620	1,625	.355	S	710076	#
2,037	2,047	.394				2,502	2,506	.500	S	*453309	45
51,75	52,00	11,00	S	*34X52X11★	32	2,571	2,575	.706	S	8594S	62
2,037	2,047	.433				34,50mm (1.358") SHAFT					
52,00	52,28	8,00	S	34X52X8★	32	-	-	-	S	800350	VRS1
2,047	2,058	.315				-	-	-	V	800354	VRS1
52,75	53,00	8,00	S	*34X53X8★	32	-	-	-	V	800355	VRS2
2,077	2,087	.315				71,00	71,10	42,00	N	710250★	#
53,00	53,28	8,00	N	710418★	32	2,795	2,799	1,654			
2,087	2,098	.315				1.362" SHAFT					
53,00	53,28	8,00	N	223440★	32	-	-	-	S	800350	VRS1
2,087	2,098	.315				-	-	-	V	800354	VRS1
53,75	54,00	8,00	S	*34X54X8★	32	-	-	-	V	800355	VRS2
2,116	2,126	.315				2,191	2,195	.250	S	8133S	48
54,00	54,20	9,00	S	34X54X9★	35	2,241	2,249	.250	S	*341518	34
2,126	2,134	.354				2,241	2,249	.250	S	*351518	35
54,00	54,25	9,00	N	710110★↔↔	40	1.365" SHAFT					
2,126	2,136	.354				-	-	-	S	800350	VRS1
54,75	55,00	11,00	S	*34X55X11★	32	-	-	-	V	800354	VRS1
2,155	2,165	.433				-	-	-	V	800355	VRS2
55,00	55,20	9,00	S	34X55X9★	32	1,955	1,960	.435	S	3214	48
2,165	2,173	.354				2,081	2,085	.435	S	*8883	48
56,00	56,20	8,00	S	*34X56X8★	32	2,081	2,085	.435	S	51322	5S
2,205	2,213	.315				2,259	2,264	.435	S	9569S	99
57,75	58,00	10,00	S	*34X58X10★	32	2,374	2,379	.435	S	9568	48
2,273	2,283	.394				1.370" SHAFT					
58,00	58,20	8,00	S	*34X58X8★	32	1,375	2,438	.250	S	*715101%	#
2,283	2,291	.315				1.372" SHAFT					
60,00	60,20	8,00	S	*34X60X8★	32	-	-	-	S	800350	VRS1
2,362	2,370	.315				-	-	-	V	800354	VRS1
61,75	62,00	7,00	S	*34X62X7★	32	-	-	-	V	800355	VRS2
2,431	2,441	.276				-	-	.313		99133	Redi-Sleeve
61,75	62,00	14,00	S	*34X62X14★	32	-	-	.500		99138	Redi-Sleeve
2,431	2,441	.551				-	4,560	.480	S	8549S&	#
62,00	62,18	10,00	S	34X62X10★	35	2,250	2,515	1,197	S	7715S	#
2,441	2,448	.394				1.375" (1-3/8") SHAFT					
62,00	62,20	10,00	S	710422★	35	-	-	-	S	800350	VRS1
2,441	2,449	.394				-	-	-	V	800354	VRS1
62,00	62,20	10,00	S	223462★	35	-	-	-	V	800355	VRS2
2,441	2,449	.394				-	-	.512		99139	Redi-Sleeve
63,00	63,09	9,00	N	710109★↔↔	40	-	-	.500		99138	Redi-Sleeve
2,480	2,484	.354				-	-	.512		99139	Redi-Sleeve
65,00	65,10	12,00	S	710151★	47	-	-	.500		99138	Redi-Sleeve
2,559	2,563	.472				-	4,582	.259	S	8676S	54
69,75	70,00	10,00	S	*34X70X10★	32	-	4,582	.259	S	9344S	54
2,746	2,756	.394				1,750	1,756	.187	S	340853	34
71,75	72,00	10,00	S	*34X72X10★	32	1,828	1,832	.375	S	*330480	33
2,825	2,835	.394				1,828	1,832	.375	N	*330480N	33
71,75	72,00	12,00	S	*34X72X12★	32	1.828	1.834	.250	S	323138	32
2,825	2,835	.472				1,828	1,839	.255	S	*6622	34
1.340" SHAFT						1.375" (1-3/8") SHAFT					
.000	1,910	.275	T	710515	32	-	-	-	S	800350	VRS1
1.343" (1-11/32") SHAFT						-	-	-	V	800354	VRS1
-	-	-	S	800350	VRS1	-	-	-	V	800355	VRS2
-	-	-	V	800354	VRS1	-	4,582	.259	S	8676S	54
-	-	-	V	800355	VRS2	-	4,582	.259	S	9344S	54
2,106	2,110	.312	N	*413697N	41	1,750	1,756	.187	S	340853	34
2,106	2,110	.375	S	473435	47	1,828	1,832	.375	S	*330480	33
2,106	2,110	.468	S	*450180	45	1,828	1,832	.375	N	*330480N	33
2,125	2,129	.375	S	473436	47	1.828	1.834	.250	S	323138	32
2,125	2,129	.437	S	*450248	45	1,828	1,839	.255	S	*6622	34
2,125	2,129	.437	S	*480248	48	1,829	1,837	.187	S	6597S	34

SIZE SECTION

For Illustration and Material Data See Technical Section
 # Designed For A Specific Application - Not Recommended For General Use ↔ Hydrodynamic Lip Design-CW ↔↔ Hydrodynamic Lip Design-Bidirectional % External Bore
 & Flanged O.D. * Call 1-800-480-1212 For Price and Delivery ★ Metric Seal

Hsg. Bore	Seal O.D.	Seal Width	Lip Mat'l	Part No.	Type/ Illus.	Hsg. Bore	Seal O.D.	Seal Width	Lip Mat'l	Part No.	Type/ Illus.
1.375" (1-3/8") SHAFT (cont.)						1.375" (1-3/8") SHAFT (cont.)					
1.874	1.878	.250	V	472354V	47	2.125	2.129	.375	N	482576N	48
1.874	1.878	.250	L	40395	4L	2.125	2.129	.437	S	*410135	41
1.874	1.878	.250	S	472354	47	2.125	2.129	.437	N	*410135N	41
1.874	1.878	.312	S	330663	33	2.125	2.129	.437	S	*450135	45
1.874	1.878	.312	N	*330663N	33	2.125	2.129	.437	S	470135	47
1.874	1.878	.437	S	50395S	5S	2.125	2.129	.437	N	*470135N	47
1.874	1.879	.240	V	484156V	48	2.125	2.129	.437	S	*480135	48
1.874	1.879	.250	S	40395S	4S	2.125	2.129	.812	S	*70135S	7S
1.874	1.880	.250	S	352354	32	2.125	2.130	.375	S	*453022	45
1.875	1.878	.187	S	6668S	33	2.125	2.130	.375	S	*483022	48
1.947	1.951	.500	S	1097	33	2.166	2.176	.485	N	*324152	32
1.947	1.951	.500	S	1097N	33	2.244	2.254	1.197	N	2655◀	79
1.952	1.957	.500	N	2443◀	25	2.248	2.252	.375	S	*471136	47
1.981	1.989	.252	N	714655▶	48	2.248	2.252	.375	S	*481136	48
1.982	1.989	.192	N	4638N	#	2.250	2.252	1.062	L	6200	9L
1.982	1.989	.312	N	*4655N▶	48	2.250	2.254	.250	S	40169S	4S
1.983	1.987	.312	S	482163	48	2.250	2.254	.312	V	473214V	47
1.983	1.987	.312	N	482163N	48	2.250	2.254	.312	S	473214	47
1.983	1.987	.375	S	*483562	48	2.250	2.254	.312	A	473214A	47
1.983	1.987	.375	N	*483562N	48	2.250	2.254	.312	S	*483214	48
2.000	2.004	.250	S	40522S	4S	2.250	2.254	.325	S	*482167	48
2.000	2.004	.300	S	*472083	47	2.250	2.254	.375	S	*411000	41
2.000	2.004	.312	S	472258	47	2.250	2.254	.375	S	*481000	48
2.000	2.004	.312	A	472258A	47	2.250	2.254	.500	S	*410169	41
2.000	2.004	.312	N	*472258N	47	2.250	2.254	.500	N	*410169N	41
2.000	2.004	.312	V	472258V	47	2.250	2.254	.500	S	*450169	45
2.000	2.004	.312	S	*482258	48	2.250	2.254	.500	N	*450169N	45
2.000	2.004	.312	V	482258V	48	2.250	2.254	.500	V	*450169V	45
2.000	2.004	.320	S	5872S	45	2.250	2.254	.500	S	470169	47
2.000	2.004	.328	S	480570	48	2.250	2.254	.500	S	*480169	48
2.000	2.004	.375	S	*6340	45	2.250	2.254	.713	S	7495S	61
2.000	2.004	.375	S	*411268	41	2.282	2.286	.250	S	42763	4S
2.000	2.004	.375	N	*411268N	41	2.282	2.286	.500	L	50402	5L
2.000	2.004	.375	H	*451268H	45	2.327	2.332	.406	S	204027	204
2.000	2.004	.375	S	471268	47	2.328	2.332	.406	F	*205027	205
2.000	2.004	.375	N	471268N	47	2.373	2.378	.500	N	*4419	#
2.000	2.004	.375	V	*471268V	47	2.374	2.378	.250	S	43089S	4S
2.000	2.004	.375	S	*481268	48	2.374	2.378	.312	S	473215	47
2.000	2.004	.375	V	*481268V	48	2.374	2.378	.312	S	*483215	48
2.000	2.004	.437	S	*410522	41	2.374	2.378	.312	V	*483215V	48
2.000	2.004	.437	S	*470522	47	2.374	2.378	.375	S	*451131	45
2.000	2.004	.437	S	*480522	48	2.374	2.378	.375	S	*471131	47
2.004	2.004	.437	S	*450522	45	2.374	2.378	.375	N	*471131N	47
2.047	2.051	.312	S	472642	47	2.374	2.378	.375	S	*481131	48
2.047	2.051	.312	V	472642V	47	2.374	2.378	.437	S	*411302	41
2.047	2.052	.330	N	4529N▶	68	2.374	2.378	.500	N	3116◀	71
2.062	2.066	.375	S	*450774	45	2.374	2.378	.500	N	3116N◀	71
2.062	2.066	.375	S	470774	47	2.374	2.378	.500	S	*410055	41
2.062	2.066	.375	N	*470774N	47	2.374	2.378	.500	S	*450055	45
2.062	2.066	.375	V	470774V	47	2.374	2.378	.500	N	*450055N	45
2.062	2.066	.375	S	*480774	48	2.374	2.378	.500	V	*450055V	45
2.062	2.066	.437	S	*50403	5S	2.374	2.378	.500	S	*470055	47
2.062	2.066	.437	S	*410403	41	2.374	2.378	.500	N	470055N	47
2.062	2.066	.437	S	*450403	45	2.374	2.378	.500	S	480055	48
2.062	2.066	.437	S	470403	47	2.374	2.378	.750	S	*412691	41
2.062	2.066	.437	S	*480403	48	2.437	2.441	.250	S	6241S	48
2.062	2.066	.437	H	*480403H	48	2.437	2.441	.250	S	*7769	48
2.062	2.066	.437	N	*480403N	48	2.437	2.441	.250	S	*40061S	4S
2.062	2.066	.437	V	*480403V	48	2.437	2.441	.375	S	470950	47
2.062	2.072	.250	S	6760S	35	2.437	2.441	.375	S	*480950	48
2.082	2.087	.312	S	*473304	47	2.437	2.441	.375	N	*480950N	48
2.106	2.110	.312	S	472287	47	2.437	2.441	.468	S	*410061	41
2.106	2.110	.468	S	*410153	41	2.437	2.441	.468	S	*450061	45
2.106	2.110	.468	S	*450153	45	2.437	2.441	.468	S	*470061	47
2.106	2.110	.468	N	*450153N	45	2.437	2.441	.468	S	*480061	48
2.125	2.129	.312	V	471192V	47	2.437	2.441	.468	N	*480061N	48
2.125	2.129	.312	S	471192	47	2.441	2.445	.375	S	471276	47
2.125	2.129	.312	N	*471192N	47	2.441	2.445	.375	N	*471276N	47
2.125	2.129	.312	S	*481192	48	2.441	2.445	.375	V	471276V	47
2.125	2.129	.312	H	*481192H	48	2.441	2.445	.375	S	*481276	48
2.125	2.129	.375	T	39140◀	94	2.502	2.506	.250	L	7245	4L
2.125	2.129	.375	S	*482576	48	2.502	2.506	.375	S	471835	47

For Illustration and Material Data See Technical Section

Designed For A Specific Application - Not Recommended For General Use ▶ Hydrodynamic Lip Design-CW ◀ Hydrodynamic Lip Design-CCW

* Call 1-800-480-1212 For Price and Delivery

Size Section

NATIONAL®



Hsg. Bore	Seal O.D.	Seal Width	Lip Mat'l	Part No.	Type/ Illus.	Hsg. Bore	Seal O.D.	Seal Width	Lip Mat'l	Part No.	Type/ Illus.
35,00mm (1.378") SHAFT (cont.)						35,00mm (1.378") SHAFT (cont.)					
49,80	50,00	10,00	S	*35X50X10★	32	54,00	54,30	8,00	V	1119★➔	32
1,961	1,969	.394				2,126	2,138	.315			
49,80	50,00	11,00	S	*35X50X11★	32	54,75	55,00	7,00	S	*35X55X7★	32
1,961	1,969	.433				2,155	2,165	.276			
50,00	50,20	7,00	S	35X50X7★	32	54,75	55,00	9,00	S	*35X55X9★	32
1,969	1,976	.276				2,155	2,165	.354			
50,00	50,20	8,00	V	*35X50X8V★	32	54,75	55,00	10,00	S	*35X55X10★	32
1,969	1,976	.315				2,155	2,165	.394			
50,00	50,20	8,00	H	710329★◀	32	54,75	55,00	12,00	S	*35X55X12★	32
1,969	1,976	.315				2,155	2,165	.472			
50,00	50,20	11,00	S	710324★◀	32	54,89	55,04	14,66	H	3543★◀➔	57
1,969	1,976	.433				2,161	2,167	.577			
50,00	50,24	8,00	S	35X50X8★	35	55,00	55,18	8,00	S	473823★	47
1,969	1,978	.315				2,165	2,172	.315			
50,00	50,24	8,00	S	223520★	35	55,00	55,20	10,00	V	*35X55X10V★	32
1,969	1,978	.315				2,165	2,173	.394			
50,00	50,25	10,00	H	*1980★➔	32	55,00	55,10	8,00	S	35X55X8★	47
1,969	1,978	.394				2,165	2,174	.315			
50,00	50,24	12,00	N	*1169★	32	55,00	55,23	11,00	S	35X55X11★	32
1,969	1,978	.472				2,165	2,174	.433			
50,00	50,28	11,50	N	710111★◀	#	55,00	55,23	11,00	N	223542★	32
1,969	1,980	.453				2,165	2,174	.433			
50,00	50,34	7,00	H	3771★➔	35	55,00	55,30	11,00	S	*1171★	32
1,969	1,982	.276				2,165	2,177	.433			
50,00	50,34	7,00	V	713771★➔	35	55,00	55,45	8,00	N	223540★◀➔	40
1,969	1,982	.276				2,165	2,183	.315			
50,75	51,00	7,00	S	*35X51X7★	32	55,75	56,00	5,80	S	*35X56X5.8★	32
1,998	2,008	.276				2,195	2,205	.228			
50,75	51,00	8,00	S	*35X51X8★	32	55,75	56,00	12,00	S	*35X56X12★	32
1,998	2,008	.315				2,195	2,205	.472			
50,75	51,00	10,00	S	*35X51X10★	32	56,00	56,10	16,00	V	710218★	#
1,998	2,008	.394				2,205	2,209	.630			
51,75	52,00	9,00	S	*35X52X9★	32	56,00	56,20	8,00	S	35X56X8★	35
2,037	2,047	.354				2,205	2,213	.315			
51,75	52,00	10,00	S	*35X52X10★	32	56,00	56,20	8,00	N	710314★◀	40
2,037	2,047	.394				2,205	2,213	.315			
51,75	52,00	11,00	S	*35X52X11★	32	56,00	56,20	8,00	S	710315★➔	40
2,037	2,047	.433				2,205	2,213	.315			
51,75	52,00	12,00	S	*35X52X12★	32	56,00	56,20	9,00	S	710396★◀➔	40
2,037	2,047	.472				2,205	2,213	.354			
52,00	52,10	7,90	S	*484063★	48	56,00	56,20	10,00	V	*35X56X10V★	35
2,047	2,051	.311				2,205	2,213	.394			
52,00	52,13	8,00	S	35X52X8★	33	56,00	56,27	10,00	S	35X56X10★	32
2,047	2,052	.315				2,205	2,215	.394			
52,00	52,13	8,00	S	223535★	33	56,00	56,27	10,00	S	223543★	32
2,047	2,052	.315				2,205	2,215	.394			
52,00	52,13	8,00	N	*4052★➔	47	56,00	56,27	10,00	S	*320857★	32
2,047	2,052	.315				2,205	2,215	.394			
52,00	52,13	8,50	S	*1077★	33	56,00	56,30	9,00	S	2007★➔	#
2,047	2,052	.335				2,205	2,217	.354			
52,00	52,20	7,00	S	35X52X7★	32	56,00	56,30	9,00	S	2007N★➔	#
2,047	2,055	.276				2,205	2,217	.354			
52,00	52,25	10,00	S	1170★	32	56,75	57,00	9,00	S	*35X57X9★	32
2,047	2,057	.394				2,234	2,244	.354			
52,00	52,35	7,75	N	3655★➔	32	56,75	57,00	10,00	S	*35X57X10★	32
2,047	2,061	.305				2,234	2,244	.394			
52,00	52,35	7,75	N	713655★◀	32	56,90	57,05	18,64	N	*4150N★◀➔	#
2,047	2,061	.305				2,240	2,246	.734			
53,26	53,67	7,75	N	4040N★◀	32	56,90	57,05	19,41	N	710096★◀➔	74
2,097	2,113	.305				2,240	2,246	.764			
53,75	54,00	10,00	S	*35X54X10★	32	57,00	57,30	15,27	S	100165★	#
2,116	2,126	.394				2,244	2,246	.601			
54,00	54,10	8,00	S	710217★	#	57,75	58,00	9,00	S	*35X58X9★	32
2,126	2,130	.315				2,273	2,283	.354			
54,00	54,10	9,00	N	710199★◀➔	#	57,75	58,00	12,00	S	*35X58X12★	32
2,126	2,130	.354				2,273	2,283	.472			
54,00	54,20	8,00	S	35X54X8★	35	57,75	58,00	13,00	S	*35X58X13★	32
2,126	2,134	.315				2,273	2,283	.512			
54,00	54,20	8,00	V	710331★◀	32	57,75	58,00	18,00	S	*35X58X18★	32
2,126	2,134	.315				2,273	2,283	.709			
54,00	54,20	10,00	V	*35X54X10V★	35	58,00	58,10	10,00	S	223550★	45
2,126	2,134	.394				2,283	2,287	.394			

For Illustration and Material Data See Technical Section

Designed For A Specific Application - Not Recommended For General Use ➔ Hydrodynamic Lip Design-CW ◀ Hydrodynamic Lip Design-CCW

◀➔ Hydrodynamic Lip Design-Bidirectional * Call 1-800-480-1212 For Price and Delivery ★ Metric Seal

Hsg. Bore	Seal O.D.	Seal Width	Lip Mat'l	Part No.	Type/Illus.	Hsg. Bore	Seal O.D.	Seal Width	Lip Mat'l	Part No.	Type/Illus.
35,00mm (1.378") SHAFT (cont.)						35,00mm (1.378") SHAFT (cont.)					
58,00	58,14	11,90	S	*1086★	33	67,00	67,27	12,00	N	1173★	32
2,283	2,289	.469				2,638	2,648	.472			
58,00	58,28	10,00	S	35X58X10★	35	67,75	68,00	6,00	S	*35X68X6★	32
2,283	2,294	.394				2,667	2,677	.236			
58,75	59,00	12,00	S	*35X59X12★	32	68,00	68,16	9,00	S	223580★↔	40
2,313	2,323	.472				2,677	2,683	.354			
59,75	60,00	8,00	S	*35X60X8★	32	68,00	68,20	9,00	N	710336★↔	40
2,352	2,362	.315				2,677	2,685	.354			
59,75	60,00	11,00	S	*35X60X11★	32	68,00	68,20	10,00	V	*35X68X10V★	35
2,352	2,362	.433				2,677	2,685	.394			
59,75	60,00	12,00	S	*35X60X12★	32	68,00	68,23	10,00	S	*35X68X10★	35
2,352	2,362	.472				2,677	2,686	.394			
60,00	60,23	10,00	S	35X60X10★	35	68,00	68,23	12,50	N	*1140★	32
2,362	2,371	.394				2,677	2,686	.492			
60,00	60,23	10,00	S	223551★	35	69,00	69,20	8,00	S	*35X69X8★	32
2,362	2,371	.394				2,717	2,724	.315			
60,00	60,23	10,00	S	710424★	35	69,75	70,00	10,00	S	*35X70X10★	32
2,362	2,371	.394				2,746	2,756	.394			
60,00	60,30	12,00	S	710201★	47	70,00	70,20	8,00	S	35X70X8★	32
2,362	2,374	.472				2,756	2,764	.315			
61,75	62,00	6,00	S	*35X62X6★	32	71,75	72,00	7,00	S	*35X72X7★	32
2,431	2,441	.236				2,825	2,835	.276			
61,75	62,00	8,00	S	*35X62X8★	32	71,75	72,00	11,00	S	*35X72X11★	32
2,431	2,441	.315				2,825	2,835	.433			
61,75	62,00	8,00	S	*35X62X8★	32	71,75	72,00	12,00	S	*35X72X12★	32
2,431	2,441	.315				2,825	2,835	.472			
61,75	62,00	9,50	S	*35X62X9.5★	32	72,00	72,20	8,00	S	35X72X8★	32
2,431	2,441	.374				2,835	2,843	.315			
61,75	62,00	11,00	S	*35X62X11★	32	72,00	72,20	10,00	V	*35X72X10V★	35
2,431	2,441	.433				2,835	2,843	.394			
61,75	62,00	12,00	S	*35X62X12★	32	72,00	72,28	10,00	S	35X72X10★	35
2,431	2,441	.472				2,835	2,846	.394			
62,00	62,20	7,00	V	*35X62X7V★	35	72,00	72,28	10,00	S	710360★	35
2,441	2,449	.276				2,835	2,846	.394			
62,00	62,20	10,00	S	35X62X10★	35	74,75	75,00	8,00	S	*35X75X8★	32
2,441	2,449	.394				2,943	2,953	.315			
62,00	62,28	7,00	S	35X62X7★	32	76,00	76,28	9,00	N	1147★↔	32
2,441	2,452	.276				2,992	3,003	.354			
62,00	62,28	8,00	N	4901★↔↔	40	76,00	76,30	12,50	N	1136★↔	30
2,441	2,452	.315				2,992	3,004	.492			
62,00	62,28	9,00	N	223553★↔	40	78,00	78,20	8,00	S	*35X78X8★	32
2,441	2,452	.354				3,071	3,079	.315			
62,00	62,28	9,50	S	223552★	32	79,72	80,00	10,00	S	*35X80X10★	32
2,441	2,452	.374				3,139	3,150	.394			
63,00	63,20	9,00	S	710138★↔↔	40	79,72	80,00	12,00	S	*35X80X12★	32
2,480	2,488	.354				3,139	3,150	.472			
63,00	63,28	10,00	S	710419★	#	79,72	80,00	13,00	S	*35X80X13★	32
2,480	2,491	.394				3,139	3,150	.512			
63,00	63,28	10,00	S	223554★	#	80,00	80,20	8,00	S	35X80X8★	32
2,480	2,491	.394				3,150	3,150	.315			
63,45	63,55	7,92	S	*6952S★	#	81,72	82,00	7,00	S	*35X82X7★	32
2,498	2,502	.312				3,217	3,228	.276			
63,50	63,83	11,05	S	7687S★	#						
2,500	2,513	.435									
63,75	64,00	12,00	S	*35X64X12★	32						
2,510	2,520	.472									
63,75	64,00	13,00	S	*35X64X13★	32						
2,510	2,520	.512									
64,00	64,13	8,00	N	35X64X8★	47			.512	99139	Redi-Sleeve	
2,520	2,525	.315				2,288	2,291	.750	V	710429	87
64,00	64,13	8,00	N	223555★	47						
2,520	2,525	.315									
64,00	64,14	9,50	N	*474125N★	47						
2,520	2,525	.374									
64,75	65,00	12,00	S	*35X65X12★	32						
2,549	2,559	.472									
65,00	65,20	8,00	S	35X65X8★	32						
2,559	2,567	.315									
65,00	65,20	10,00	S	35X65X10★	32						
2,559	2,567	.394									
65,00	65,20	12,00	S	710335★	32						
2,559	2,567	.472									

SIZE SECTION

For Illustration and Material Data See Technical Section
 # Designed For A Specific Application - Not Recommended For General Use ↗ Hydrodynamic Lip Design-CW ↖ Hydrodynamic Lip Design-CCW
 ↔ Hydrodynamic Lip Design-Bidirectional ** Canada Only * Call 1-800-480-1212 For Price and Delivery ★ Metric Seal

Size Section
NATIONAL®

Hsg. Bore	Seal O.D.	Seal Width	Lip Mat'l	Part No.	Type/ Illus.	Hsg. Bore	Seal O.D.	Seal Width	Lip Mat'l	Part No.	Type/ Illus.
1.399" SHAFT (cont.)						36,00mm (1.417") SHAFT (cont.)					
2.484	2.489	.280	V	714558◄►	#	52,00	52,20	10,00	S	223608★◄	32
2.484	2.489	.500	V	714559◄►	74	2,047	2,055	.394			
1.400" SHAFT						53,75	54,00	7,00	S	*36X54X7★	32
—	—	—	S	800350	VRS1	2,116	2,126	.276			
—	—	—	V	800354	VRS1	53,75	54,00	10,00	S	*36X54X10★	32
—	—	—	V	800355	VRS2	2,116	2,126	.394			
1.969	2.000	.250	F	1110	#	54,00	54,20	7,50	V	*36X54X8V★	35
2.282	2.288	.547	V	4857◄►	86	2,126	2,134	.295			
2.478	2.486	.521	S	*710066&	83	54,00	54,20	7,50	S	36X54X7.5★	35
1.406" (1-13/32") SHAFT						2,126	2,134	.315			
—	—	—	S	800350	VRS1	54,00	54,20	8,00	S	36X54X8★	35
—	—	—	V	800354	VRS1	2,126	2,137	.276			
—	—	—	V	800355	VRS2	54,00	54,28	7,00	N	710197★	40
2.125	2.129	.437	L	50126	5L	2,126	2,137	.276			
36,00mm (1.417") SHAFT						54,00	54,28	7,50	S	223610★	35
—	—	—	S	800350	VRS1	2,126	2,137	.295			
—	—	—	V	800354	VRS1	54,75	55,00	10,00	S	*36X55X10★	32
—	—	—	V	800355	VRS2	2,155	2,165	.394			
—	—	.518		99146	Redi-Sleeve	54,75	55,00	12,00	S	*36X55X12★	32
43,80	44,00	5,00	S	*36X44X5★	32	2,155	2,165	.472			
1,724	1,732	.197				55,00	55,09	6,50	S	2003★	47
44,00	44,23	5,00	S	710252★	32	2,165	2,169	.256			
1,732	1,741	.197				55,00	55,09	6,50	S	2003N★	47
45,80	46,00	6,00	S	*36X46X6★	32	2,165	2,169	.256			
1,803	1,811	.236				55,00	55,09	6,50	S	*474113★	47
45,80	46,00	9,00	S	*36X46X9★	32	2,165	2,169	.256			
1,803	1,811	.354				55,00	55,09	6,50	S	*474121★	47
46,00	46,10	9,00	S	710343★	33	2,165	2,170	.374			
1,811	1,815	.354				55,75	56,00	12,00	S	*36X56X12★	32
46,80	47,00	8,00	S	*36X47X8★	32	2,195	2,205	.472			
1,842	1,850	.315				56,00	56,25	10,00	S	36X56X10★	35
47,00	47,20	7,00	S	36X47X7★	35	2,205	2,215	.394			
1,850	1,858	.276				2,250	2,254	.250	S	474127	47
47,00	47,20	7,00	S	223601★	35	58,00	58,25	8,00	S	36X58X8★	47
1,850	1,858	.276				2,283	2,293	.315			
47,80	48,00	7,00	S	*36X48X7★	32	58,00	58,23	12,00	S	36X58X12★	35
1,882	1,890	.276				2,283	2,293	.472			
47,80	48,00	10,00	S	*36X48X10★	32	58,00	58,30	8,00	S	474288★	47
1,882	1,890	.394				2,283	2,295	.315			
48,80	49,00	7,00	S	*36X49X7★	32	59,75	60,00	6,00	S	*36X60X6★	32
1,921	1,929	.276				2,352	2,362	.236			
49,00	49,28	7,00	N	223602★►	32	60,00	60,20	7,00	S	36X60X7★	32
1,929	1,940	.276				2,362	2,370	.276			
49,61	49,81	7,01	N	321417N★	32	60,00	60,20	8,00	V	1965★	48
1,953	1,961	.276				2,362	2,370	.315			
49,80	50,00	10,00	S	*36X50X10★	32	61,75	62,00	10,00	S	*36X62X10★	32
1,961	1,969	.394				2,431	2,441	.394			
50,00	50,08	7,00	S	36X50X7★	47	62,00	62,28	7,00	S	36X62X7★	32
1,969	1,972	.276				2,441	2,452	.276			
50,00	50,08	7,00	S	223605★	47	63,25	63,50	13,00	S	*36X63.5X13★	32
1,969	1,972	.276				2,490	2,500	.512			
50,00	50,08	7,00	S	*474097★	47	64,00	64,20	11,00	S	710152★	#
1,969	1,972	.276				2,520	2,528	.433			
50,00	50,20	8,00	S	710341★◄	32	65,00	65,20	8,00	S	710057★	48
1,969	1,976	.315				2,559	2,567	.315			
50,75	51,00	7,00	S	*36X51X7★	32	2,614	2,629	.500	S	*9342S	48
1,998	2,008	.276				68,00	68,18	8,00	S	223620★►	48
51,75	52,00	8,00	S	*36X52X8★	32	2,677	2,684	.315			
2,037	2,047	.315				68,00	68,28	10,00	S	36X68X10★	35
51,75	52,00	10,00	S	*36X52X10★	32	2,677	2,688	.394			
2,037	2,047	.394				70,00	70,20	8,00	S	*36X70X8★	32
52,00	52,20	7,00	S	36X52X7★	35	2,756	2,764	.315			
2,047	2,055	.276				72,00	72,20	8,00	S	*36X72X8★	32
52,00	52,20	7,00	V	*36X52X7V★	32	2,835	2,843	.315			
2,047	2,055	.276				1.437" (1-7/16") SHAFT					
			S	800381	VRS2	—	—	—	S	800381	VRS2
			V	800385	VRS2	—	—	—	V	800385	VRS2
		.375		99144	Redi-Sleeve	—	—	.375		99144	Redi-Sleeve
		.563		99143	Redi-Sleeve	—	—	.563		99143	Redi-Sleeve

For Illustration and Material Data See Technical Section

Designed For A Specific Application - Not Recommended For General Use ◄ Hydrodynamic Lip Design-CW ◄ Hydrodynamic Lip Design-CCW

◄◄ Hydrodynamic Lip Design-Bidirectional & Flanged O.D. * Call 1-800-480-1212 For Price and Delivery ★ Metric Seal

Hsg. Bore	Seal O.D.	Seal Width	Lip Mat'l	Part No.	Type/Illus.	Hsg. Bore	Seal O.D.	Seal Width	Lip Mat'l	Part No.	Type/Illus.
1.437" (1-7/16") SHAFT (cont.)						1.437" (1-7/16") SHAFT (cont.)					
2.000	2.004	.437	S	*410930	41	2.750	2.754	.500	S	*450808	45
2.000	2.004	.437	N	*410930N	41	2.750	2.754	.500	S	470808	47
2.000	2.004	.437	S	*450930	45	2.750	2.754	.500	S	*480808	48
2.000	2.006	.125	S	340930	34	3.000	3.005	.500	S	471405	47
2.059	2.065	.315	T	*712141	32	1.440" SHAFT					
2.061	2.066	.312	S	3395	47	-	-	-	S	800381	VRS2
2.061	2.066	.312	S	*474090	47	-	-	-	V	800385	VRS2
2.062	2.066	.375	S	*482422	48	-	-	.375	99144	Redi-Sleeve	
2.062	2.068	.250	S	352444	35	2.061	2.075	.315	H	3394	32
2.125	2.129	.312	S	473224	47	2.756	2.764	.551	N	*712134	35
2.125	2.129	.437	S	*410453	41	37,00mm (1.457") SHAFT					
2.125	2.129	.437	N	*410453N	41	-	-	-	S	800381	VRS2
2.125	2.129	.437	V	*410453V	41	-	-	-	V	800385	VRS2
2.125	2.129	.437	S	*450453	45	-	-	.375	99145	Redi-Sleeve	
2.125	2.129	.437	N	*450453N	45	0,00	55,52	8,01	S	710524★	47
2.125	2.129	.437	S	*470453	47	.000	2,186	.315			
2.125	2.129	.437	N	*470453N	47	46,80	47,00	10,00	S	*37X47X10★	32
2.125	2.129	.437	S	*480453	48	1,842	1,850	.394			
2.125	2.129	.437	N	*480453N	48	50,00	50,25	6,00	N	223750★	32
2.188	2.192	.480	S	*9249	47	1,969	1,978	.236			
2.250	2.254	.312	S	473016	47	50,50	50,70	7,00	N	710355★	32
2.250	2.254	.312	N	*473016N	47	1,988	1,996	.276			
2.250	2.254	.500	S	*410171	41	52,00	52,15	6,00	S	710149★	#
2.250	2.254	.500	S	*470171	47	2,047	2,053	.236			
2.250	2.254	.500	H	*470171H	47	52,00	52,28	8,00	S	37X52X8★	35
2.250	2.254	.500	N	*470171N	47	2,047	2,058	.315			
2.250	2.254	.500	S	*480171	48	52,75	53,00	7,00	S	*37X53X7★	32
2.312	2.316	.375	S	472655	47	2,077	2,087	.276			
2.374	2.378	.312	S	473225	47	54,75	55,00	8,00	S	*37X55X8★	32
2.374	2.378	.375	S	*471809	47	2,155	2,165	.315			
2.374	2.378	.375	S	*481809	48	56,00	56,20	12,50	V	710259★	32
2.374	2.378	.500	S	*410057	41	2,205	2,213	.492			
2.374	2.378	.500	S	*450057	45	56,75	57,00	10,00	S	*37X57X10★	32
2.374	2.378	.500	V	*450057V	45	2,234	2,244	.394			
2.374	2.378	.500	S	*470057	47	57,75	58,00	7,00	S	*37X58X7★	32
2.374	2.378	.500	S	*480057	48	2,273	2,283	.276			
36,50mm (1.437") SHAFT						57,75	58,00	10,00	S	*37X58X10★	32
61,75	62,00	7,00	S	*36.5X62X7★	32	2,273	2,283	.394			
2.431	2.441	.276				57,75	58,00	13,00	S	*37X58X13★	32
1.437" (1-7/16") SHAFT						2,273	2,283	.512			
2.437	2.441	.250	S	*6966S	44	58,00	58,10	10,00	S	710353★	66
2.437	2.441	.312	S	474264	47	2,283	2,287	.394			
2.437	2.441	.468	S	*410062	41	62,00	62,23	10,00	S	710228★	40
2.437	2.441	.468	S	*450062	45	2,441	2,450	.394			
2.437	2.441	.468	S	470062	47	63,75	64,00	13,00	S	*37X64X13★	32
2.437	2.441	.468	S	*480062	48	2,510	2,520	.512			
2.441	2.445	.374	S	4989	#	78,00	78,30	12,00	S	239134★	#
2.441	2.445	.375	S	481826	48	3,071	3,083	.472			
2.500	2.508	.687	S	*8673	25	1.460" SHAFT					
2.502	2.506	.312	S	473226	47	-	-	-	S	800381	VRS2
2.502	2.506	.500	S	*410144	41	-	-	-	V	800385	VRS2
2.502	2.506	.500	S	*450144	45	-	-	.375	99145	Redi-Sleeve	
2.502	2.506	.500	S	*470144	47	2.077	2.034	.070	S	*8733	#
2.502	2.506	.500	S	*480144	48	1.465" SHAFT					
2.502	2.506	.500	V	*480144V	48	-	-	-	S	800381	VRS2
2.623	2.627	.375	S	473437	47	-	-	-	V	800385	VRS2
2.623	2.627	.500	S	*410122	41	2.372	2.374	.433	S	710426	#
2.623	2.627	.500	H	*410122H	41	2.372	2.374	1.508	N	710441&	#
2.623	2.627	.500	S	*450122	45	1.468" (1-15/32") SHAFT					
2.623	2.627	.500	S	*470122	47	-	-	-	S	800381	VRS2
2.623	2.627	.500	S	*480122	48	-	-	-	V	800385	VRS2
2.686	2.690	.250	S	*43088S	4S	1.468" (1-15/32") SHAFT					
2.686	2.690	.375	S	471862	47	-	-	-	S	800381	VRS2
2.686	2.690	.500	S	*410746	41	-	-	-	V	800385	VRS2
2.686	2.690	.500	S	*450746	45	1.468" (1-15/32") SHAFT					
2.686	2.690	.500	S	*470746	47	-	-	-	S	800381	VRS2
2.686	2.690	.500	S	*480746	48	-	-	-	V	800385	VRS2
2.750	2.754	.500	S	*410808	41	1.468" (1-15/32") SHAFT					

SIZE SECTION

For Illustration and Material Data See Technical Section
 # Designed For A Specific Application - Not Recommended For General Use ▶ Hydrodynamic Lip Design-CW ◀▶ Hydrodynamic Lip Design-Bidirectional & Flanged O.D.
 * Call 1-800-480-1212 For Price and Delivery ★ Metric Seal

Size Section

NATIONAL®



Hsg. Bore	Seal O.D.	Seal Width	Lip Mat'l	Part No.	Type/ Illus.	Hsg. Bore	Seal O.D.	Seal Width	Lip Mat'l	Part No.	Type/ Illus.
1.468" (1-15/32") SHAFT (cont.)						38,00mm (1.496") SHAFT (cont.)					
2.374	2.378	.500	S	*450058	45	50,00	50,25	7,00	S	38X50X7★	35
2.374	2.378	.500	S	*480058	48	1.969	1.978	.276			
2.374	2.378	.500	N	*480058N	48	50,00	50,28	8,00	S	223801★	32
2.375	2.379	.375	S	473438	47	1.969	1.980	.315			
2.437	2.441	.375	S	473439	47	50,00	50,28	10,50	N	223800★➔	32
2.437	2.441	.468	S	*450255	45	1.969	1.980	.413			
1.473" SHAFT						38,00mm (1.496") SHAFT (cont.)					
-	-	-	S	800381	VRS2	50,75	51,00	7,00	S	*38X51X7★	32
-	-	-	V	800385	VRS2	1.998	2.008	.276			
1.971	1.979	.562	S	7235S	32	51,75	52,00	6,00	S	*38X52X6★	32
1.476" SHAFT						38,00mm (1.496") SHAFT (cont.)					
1.493	2.447	.620	S	*8097%	39	2.037	2.047	.236			
1.479" SHAFT						38,00mm (1.496") SHAFT (cont.)					
-	-	-	S	800381	VRS2	51,75	52,00	9,00	S	*38X52X9★	32
-	-	-	V	800385	VRS2	2.037	2.047	.354			
2.563	2.567	.470	S	710304	#	51,75	52,00	10,00	S	*38X52X10★	32
1.484" SHAFT						38,00mm (1.496") SHAFT (cont.)					
-	-	-	S	800381	VRS2	2.037	2.047	.394			
-	-	-	V	800385	VRS2	52,00	52,20	6,00	S	710309★	#
2.254	2.258	.250	L	40468	4L	2.047	2.055	.236			
2.254	2.258	.312	L	50468	5L	52,00	52,20	7,00	S	38X52X7★	32
1.491" SHAFT						38,00mm (1.496") SHAFT (cont.)					
-	-	-	S	800381	VRS2	2.047	2.055	.276			
-	-	-	V	800385	VRS2	52,00	52,20	7,00	V	*38X52X7V★	35
-	-	.512		99147	Redi-Sleeve	2.047	2.055	.276			
2.191	2.195	.250	S	8597S	48	52,00	52,20	9,00	S	239128★	#
1.494" SHAFT						38,00mm (1.496") SHAFT (cont.)					
-	-	-	S	800381	VRS2	2.047	2.055	.354			
-	-	-	V	800385	VRS2	52,00	52,25	6,00	S	1196★	47
-	-	.512		99147	Redi-Sleeve	2.047	2.057	.236			
1.875	1.879	.187	S	*483643	48	52,00	52,25	8,50	S	38X52X8.5★	32
38,00mm (1.496") SHAFT						38,00mm (1.496") SHAFT (cont.)					
-	-	-	S	800381	VRS2	2.047	2.057	.335			
-	-	-	V	800385	VRS2	52,00	52,25	8,50	S	38X52X8.5★	32
-	-	.512		99147	Redi-Sleeve	2.047	2.057	.335			
0,00	59,99	11,00	S	710509★	#	52,00	52,25	8,50	S	38X52X8.5★	32
.000	2.362	.433				2.047	2.057	.335			
46,80	47,00	7,00	S	*38X47X7★	32	52,00	52,25	9,00	S	1174★	32
1.842	1.850	.276				2.047	2.057	.236			
47,00	47,10	7,00	S	223805★	25	52,00	52,25	8,50	S	38X52X8.5★	32
1.850	1.854	.276				2.047	2.057	.335			
47,00	47,25	8,00	S	*38X47X8★	25	52,00	52,25	8,50	S	38X52X8.5★	32
1.850	1.860	.315				2.047	2.057	.335			
47,80	48,00	6,00	S	*38X48X6★	32	52,00	52,25	9,00	S	38X52X9★	32
1.882	1.890	.236				2.047	2.057	.335			
47,80	48,00	7,00	S	*38X48X7★	32	52,00	52,25	10,00	V	*38X52X10V★	35
1.882	1.890	.276				2.047	2.057	.335			
47,80	48,00	10,00	S	*38X48X10★	32	52,00	52,25	8,50	S	38X52X8.5★	32
1.882	1.890	.394				2.047	2.057	.335			
49,80	50,00	8,00	S	*38X50X8★	32	52,00	52,25	8,50	S	38X52X8.5★	32
1.961	1.969	.315				2.047	2.057	.335			
49,80	50,00	10,00	S	*38X50X10★	32	52,00	52,25	8,50	S	38X52X8.5★	32
1.961	1.969	.394				2.047	2.057	.335			
50,00	50,20	7,00	V	*38X50X7V★	35	52,00	52,25	8,50	S	38X52X8.5★	32
1.969	1.976	.276				2.047	2.057	.335			
50,00	50,25	6,00	N	223802★➔	32	52,00	52,25	8,50	S	38X52X8.5★	32
1.969	1.978	.236				2.047	2.057	.335			
38,00mm (1.496") SHAFT						38,00mm (1.496") SHAFT (cont.)					
-	-	-	S	800381	VRS2	52,00	52,25	8,50	S	1196★	47
-	-	-	V	800385	VRS2	2.047	2.057	.236			
-	-	.512		99147	Redi-Sleeve	52,00	52,20	7,00	V	*38X52X7V★	35
0,00	59,99	11,00	S	710509★	#	2.047	2.055	.276			
.000	2.362	.433				52,00	52,20	7,00	V	*38X52X7V★	35
46,80	47,00	7,00	S	*38X47X7★	32	2.047	2.055	.276			
1.842	1.850	.276				52,00	52,20	9,00	S	239128★	#
47,00	47,10	7,00	S	223805★	25	2.047	2.055	.354			
1.850	1.854	.276				52,00	52,20	6,00	S	710309★	#
47,00	47,25	8,00	S	*38X47X8★	25	2.047	2.055	.236			
1.850	1.860	.315				52,00	52,20	6,00	S	710309★	#
47,80	48,00	6,00	S	*38X48X6★	32	2.047	2.055	.236			
1.882	1.890	.236				52,00	52,20	6,00	S	710309★	#
47,80	48,00	7,00	S	*38X48X7★	32	2.047	2.055	.236			
1.882	1.890	.276				52,00	52,20	6,00	S	710309★	#
47,80	48,00	10,00	S	*38X48X10★	32	2.047	2.055	.236			
1.882	1.890	.394				52,00	52,20	6,00	S	710309★	#
49,80	50,00	8,00	S	*38X50X8★	32	2.047	2.055	.236			
1.961	1.969	.315				52,00	52,20	6,00	S	710309★	#
49,80	50,00	10,00	S	*38X50X10★	32	2.047	2.055	.236			
1.961	1.969	.394				52,00	52,20	6,00	S	710309★	#
50,00	50,20	7,00	V	*38X50X7V★	35	2.047	2.055	.236			
1.969	1.976	.276				52,00	52,20	6,00	S	710309★	#
50,00	50,25	6,00	N	223802★➔	32	2.047	2.055	.236			
1.969	1.978	.236				52,00	52,20	6,00	S	710309★	#

For Illustration and Material Data See Technical Section

Designed For A Specific Application - Not Recommended For General Use ➔ Hydrodynamic Lip Design-CW ◀ Hydrodynamic Lip Design-CCW % External Bore & Flanged O.D. * Call 1-800-480-1212 For Price and Delivery ★ Metric Seal

Hsg. Bore	Seal O.D.	Seal Width	Lip Mat'l	Part No.	Type/ Illus.	Hsg. Bore	Seal O.D.	Seal Width	Lip Mat'l	Part No.	Type/ Illus.
38,00mm (1.496") SHAFT (cont.)						38,00mm (1.496") SHAFT (cont.)					
55,00	55,30	9,00	N	223831★➔	32	65,00	65,20	8,00	S	710435★	32
2,165	2,177	.354				2,559	2,567	.315			
55,75	56,00	7,00	S	*38X56X7★	32	65,00	65,27	12,00	N	1176★	#
2,195	2,205	.276				2,559	2,570	.472			
55,75	56,00	12,00	S	*38X56X12★	32	68,00	68,20	8,00	S	38X68X8★	32
2,195	2,205	.472				2,677	2,685	.315			
56,00	56,20	10,00	V	*38X56X10V★	35	68,00	68,20	8,00	S	710165★	#
2,205	2,213	.394				2,677	2,685	.315			
56,00	56,28	10,00	S	38X56X10★	32	68,00	68,20	10,00	S	38X68X10★	32
2,205	2,216	.394				2,677	2,685	.394			
56,75	57,00	10,00	S	*38X57X10★	32	70,00	70,20	10,00	S	38X70X10★	35
2,234	2,244	.394				2,756	2,764	.394			
57,75	58,00	7,00	S	*38X58X7★	32	71,75	72,00	12,00	S	*38X72X12★	32
2,273	2,283	.276				2,825	2,835	.472			
57,75	58,00	10,00	S	*38X58X10★	32	72,00	72,20	10,00	S	38X72X10★	35
2,273	2,283	.394				2,835	2,843	.394			
57,75	58,00	11,00	S	*38X58X11★	32	74,00	74,20	8,00	S	38X74X8★	32
2,273	2,283	.433				2,913	2,921	.315			
58,00	58,10	11,00	S	710319★	47	74,00	74,20	11,00	N	38X74X11★	32
2,283	2,287	.433				2,913	2,921	.433			
58,00	58,11	8,00	S	38X58X8★	47	74,00	74,27	11,00	N	1177★	32
2,283	2,288	.315				2,913	2,924	.433			
58,00	58,11	8,00	S	223840★	47	74,00	74,27	11,00	S	*320834★	32
2,283	2,288	.315				2,913	2,924	.433			
58,00	58,11	8,00	V	223842★	48	75,00	75,20	8,00	S	*38X75X8★	32
2,283	2,288	.315				2,953	2,961	.315			
58,00	58,11	8,00	S	*474119★	47	78,00	78,20	8,00	S	*38X78X8★	32
2,283	2,288	.315				3,071	3,079	.315			
58,00	58,20	10,00	N	710139★	#	79,72	80,00	10,00	S	*38X80X10★	32
2,283	2,291	.394				3,139	3,150	.394			
58,00	58,25	11,00	S	1175★➔	32	80,00	80,20	8,00	S	*38X80X8★	32
2,283	2,293	.433				3,150	3,157	.315			
59,00	59,30	9,00	N	1038★➔	32	90,00	90,20	8,00	S	*38X90X8★	32
2,323	2,335	.354				3,543	3,551	.315			
59,75	60,00	9,00	S	*38X60X9★	32	1.497" SHAFT					
2,352	2,362	.354				.000	2,226	.472	N	710510	#
60,00	60,20	8,00	S	38X60X8★	32	1.500" (1-1/2") SHAFT					
2,362	2,370	.315				-	-	-	S	800381	VRS2
60,00	60,20	10,00	V	*38X60X10V★	35	-	-	-	V	800385	VRS2
2,362	2,370	.394				-	-	-	S	800400	VRS1
60,00	60,35	10,00	S	38X60X10★	32	-	-	-	V	800404	VRS1
2,362	2,376	.394				-	-	.375		99150	Redi-Sleeve
60,00	60,35	10,00	S	223843★	35	-	-	.563		99149	Redi-Sleeve
2,362	2,376	.394				1.874	1.879	.250	S	253099	25
60,25	60,50	12,00	S	*38X60.5X12★	32	1,874	1,880	.250	S	343099	34
2,372	2,382	.472				1,875	-	.188	S	710044	#
61,75	62,00	9,00	S	*38X62X9★	32	1,875	1,879	.187	S	*443527	44
2,431	2,441	.354				1,938	1,942	.250	S	42260S	4S
61,75	62,00	10,00	S	*38X62X10★	32	1,938	1,942	.250	S	*312260	31
2,431	2,441	.472				1,983	1,987	.250	L	40382	4L
62,00	62,10	6,00	S	710224★	49	1,983	1,987	.437	S	*452554	45
2,441	2,445	.236				1,983	1,987	.437	N	452554N	45
62,00	62,20	7,00	V	*38X62X7V★	32	1,983	1,987	.437	S	472554	47
2,441	2,449	.276				1,983	1,987	.437	N	*482554N	48
62,00	62,24	13,00	N	710209★	#	1,983	1,988	.187	S	443018	44
2,441	2,450	.512				1,983	1,988	.250	V	474276V	47
62,00	62,28	7,00	S	38X62X7★	32	1.983	1.988	.250	S	474276	47
2,441	2,452	.276				1,989	1,993	.250	L	41257	4L
63,00	63,12	10,00	N	2009★	#	1,989	1,993	.285	S	3677&	287
2,480	2,485	.394				1,997	2,001	.531	S	6759S	1S
63,25	63,50	10,00	S	*38X63.5X10★	32	2,000	-	.250	U	710023	#
2,490	2,500	.394				2,000	2,004	.312	V	481163V	48
64,75	65,00	10,00	S	*38X65X10★	32	2.000	2.004	.312	S	481163	48
2,549	2,559	.394				2,000	2,004	.312	H	*481163H	48
64,75	65,00	11,00	S	*38X65X11★	32	2,000	2,005	.250	N	*492521N	49
2,549	2,559	.433				2,000	2,006	.250	S	352521	32
64,75	65,00	13,00	S	*38X65X13★	32	2,000	2,010	.187	S	240319	24
2,549	2,559	.512									
65,00	65,20	8,00	S	38X65X8★	32						
2,559	2,567	.315									

SIZE SECTION

For Illustration and Material Data See Technical Section
 # Designed For A Specific Application - Not Recommended For General Use ➔ Hydrodynamic Lip Design-CW & Flanged O.D. * Call 1-800-480-1212 For Price and Delivery
 ★ Metric Seal

Size Section

NATIONAL®



Hsg. Bore	Seal O.D.	Seal Width	Lip Mat'l	Part No.	Type/ Illus.	Hsg. Bore	Seal O.D.	Seal Width	Lip Mat'l	Part No.	Type/ Illus.
1.500" (1-1/2") SHAFT (cont.)						1.500" (1-1/2") SHAFT (cont.)					
2.000	2.010	.187	N	*240319N	24	2.327	2.332	.406	S	204013	204
2.000	2.010	.219	S	*712139	35	2.328	2.332	.437	S	*472591	47
2.000	2.010	.437	S	*350319	35	2.328	2.332	.437	S	*482591	48
2.048	2.052	.375	S	472466	47	2.372	2.376	.350	S	*2796	47
2.055	2.065	.276	N	321416	32	2.372	2.376	.420	N	2194	88
2.062	2.066	.240	S	7537S	24	2.372	2.376	1.458	S	7692S	79
2.062	2.066	.240	S	*340980	34	2.374	2.378	.250	N	*3120N	47
2.062	2.066	.250	F	6545	21	2.374	2.378	.250	S	40059S	4S
2.062	2.066	.250	S	480630	48	2.374	2.378	.312	S	*480380	48
2.062	2.066	.375	N	*470991N	47	2.374	2.378	.375	S	*451308	45
2.062	2.066	.375	S	480991	48	2.374	2.378	.375	S	*471308	47
2.062	2.066	.437	S	*410451	41	2.374	2.378	.375	S	*481308	48
2.062	2.066	.437	S	450451	45	2.374	2.378	.500	S	*2326	47
2.062	2.066	.437	H	*450451H	45	2.374	2.378	.500	N	*2326N	47
2.062	2.066	.437	S	470451	47	2.374	2.378	.500	S	410059	41
2.062	2.066	.437	H	*470451H	47	2.374	2.378	.500	H	*410059H	41
2.062	2.066	.437	S	*480451	48	2.374	2.378	.500	N	*410059N	41
2.125	2.129	.312	S	473227	47	2.374	2.378	.500	S	*450059	45
2.125	2.129	.312	N	*473227N	47	2.374	2.378	.500	H	*450059H	45
2.125	2.129	.312	V	473227V	47	2.374	2.378	.500	N	*450059N	45
2.125	2.129	.312	S	*483227	48	2.374	2.378	.500	V	*450059V	45
2.125	2.129	.437	S	*50394	5S	2.374	2.378	.500	S	470059	47
2.125	2.129	.437	S	*410394	41	2.374	2.378	.500	H	*470059H	47
2.125	2.129	.437	H	*410394H	41	2.374	2.378	.500	N	*470059N	47
2.125	2.129	.437	N	*410394N	41	2.374	2.378	.500	S	*480059	48
2.125	2.129	.437	S	*450394	45	2.374	2.378	.500	N	*480059N	48
2.125	2.129	.437	N	*450394N	45	2.374	2.378	.710	S	*3680	#
2.125	2.129	.437	V	*450394V	45	2.375	2.378	.312	S	470380	47
2.125	2.129	.437	S	470394	47	2.375	2.378	.312	V	470380V	47
2.125	2.129	.437	H	*470394H	47	2.375	2.379	.312	A	470380A	47
2.125	2.129	.437	N	*470394N	47	2.375	2.379	.602	N	9470&	57
2.125	2.129	.437	S	*480394	48	2.377	2.381	.470	N	*7413	71
2.125	2.134	.437	S	350394	35	2.377	2.381	.470	S	9613S	71
2.187	2.187	.500	L	6312%	8L	2.377	2.381	.500	S	*2175	47
2.192	2.196	.250	S	43078S	4S	2.377	2.381	.500	S	472189A	47
2.222	2.226	.312	S	480844	48	2.385	2.389	.320	S	*8346	#
2.247	2.253	.360	N	*9928H	75	2.437	2.441	.250	S	7886S	48
2.249	2.253	.360	N	331228H	75	2.437	2.441	.250	S	40063S	4S
2.249	2.254	.250	S	5115	47	2.437	2.441	.375	S	471820	47
2.249	2.254	.280	S	*2205	#	2.437	2.441	.468	S	*410063	41
2.250	-	.500	U	710020	#	2.437	2.441	.468	S	*450063	45
2.250	2.254	.312	S	470625	47	2.437	2.441	.468	H	*450063H	45
2.250	2.254	.312	A	470625A	47	2.437	2.441	.468	S	*470063	47
2.250	2.254	.312	N	*470625N	47	2.437	2.441	.468	S	*480063	48
2.250	2.254	.312	V	470625V	47	2.441	2.445	.375	S	471344	47
2.250	2.254	.312	S	*480625	48	2.441	2.445	.375	S	*481344	48
2.250	2.254	.312	V	480625V	48	2.441	2.445	.500	S	*410814	41
2.250	2.254	.375	S	*450548	45	2.441	2.445	.500	S	*450814	45
2.250	2.254	.375	N	*450548N	45	2.441	2.445	.500	S	*480814	48
2.250	2.254	.375	S	470548	47	2.462	2.482	.290	S	200861%	200E
2.250	2.254	.375	U	710012	#	2.500	2.500	.375	T	710414	#
2.250	2.254	.500	S	*410136	41	2.502	2.506	.250	S	*40067S	4S
2.250	2.254	.500	S	*450136	45	2.502	2.506	.312	V	473228V	47
2.250	2.254	.500	N	*450136N	45	2.502	2.506	.312	S	473228	47
2.250	2.254	.500	N	*470136	47	2.502	2.506	.312	N	*473228N	47
2.250	2.254	.500	S	*480136	48	2.502	2.506	.312	S	*483228	48
2.250	2.258	.250	S	340136	34	2.502	2.506	.375	L	6426	4L
2.250	2.258	.250	H	*340136H	34	2.502	2.506	.375	S	*471837	47
2.250	2.260	.312	S	322373	32	2.502	2.506	.375	S	481837	48
2.252	2.256	.375	V	*451507V	45	2.502	2.506	.435	L	51098L**	5L
2.252	2.256	.375	S	*471507	47	2.502	2.506	.437	S	51098	48
2.252	2.256	.375	N	*471507N	47	2.502	2.506	.500	S	*410067	41
2.252	2.256	.375	S	*481507	48	2.502	2.506	.500	H	*410067H	41
2.252	2.256	.375	H	*481507H	48	2.502	2.506	.500	S	450067	45
2.252	2.256	.375	N	*481507N	48	2.502	2.506	.500	N	*450067N	45
2.252	2.256	.375	V	*481507V	48	2.502	2.506	.500	S	*470067	47
2.254	2.258	.312	S	453065	45	2.502	2.506	.500	S	*480067	48
2.256	-	.270	S	200859%	200	2.561	2.565	.500	S	410190	41
2.260	2.264	.405	S	9363S	41	2.561	2.565	.500	S	*450190	45
2.311	2.315	.500	V	712023	#	2.561	2.565	.500	S	470190	47
2.327	2.332	.406	S	*3428	204	2.561	2.565	.500	S	*480190	48
2.327	2.332	.406	S	203013	203	2.623	2.627	.250	S	41461S	4S

For Illustration and Material Data See Technical Section

Designed For A Specific Application - Not Recommended For General Use ➔ Hydrodynamic Lip Design-CW ◀ Hydrodynamic Lip Design-CCW ** Canada Only

Hsg. Bore	Seal O.D.	Seal Width	Lip Mat'l	Part No.	Type/Illus.	Hsg. Bore	Seal O.D.	Seal Width	Lip Mat'l	Part No.	Type/Illus.
1.500" (1-1/2") SHAFT (cont.)						1.521" SHAFT					
2.623	2.627	.500	S	*411857	41	-	-	-	S	800400	VRS1
2.623	2.627	.500	N	*411857N	41	-	-	-	V	800404	VRS1
2.623	2.627	.500	S	*451857	45	-	-	.438	-	99152	Redi-Sleeve
2.623	2.627	.500	S	*481857	48	2.656	2.660	.424	S	8610	74
2.686	2.690	.500	S	*410487	41	2.656	2.660	.594	S	8611N	74
2.686	2.690	.500	S	*450487	45	1.523" SHAFT					
2.686	2.690	.500	S	470487	47	-	-	-	S	800400	VRS1
2.686	2.690	.500	N	*470487N	47	-	-	-	V	800404	VRS1
2.686	2.690	.500	S	*480487	48	-	-	.438	-	99152	Redi-Sleeve
2.716	2.720	.250	S	*43808	4S	2.714	2.718	.500	S	8940S	48
2.716	2.720	.468	S	*410984	41	1.531" (1-17/32") SHAFT					
2.716	2.720	.468	S	*450984	45	-	-	-	S	800400	VRS1
2.750	2.754	.312	S	*473440	47	-	-	-	V	800404	VRS1
2.750	2.754	.500	S	*410461	41	-	-	-	-	-	-
2.750	2.754	.500	S	450461	45	2.374	2.378	.375	S	*452222	45
2.750	2.754	.500	S	*470461	47	2.374	2.378	.500	S	*410060	41
2.750	2.754	.500	S	*480461	48	2.374	2.378	.500	V	*410060V	41
2.758	2.762	.500	S	*410077	41	2.374	2.379	.375	S	472222	47
2.758	2.762	.500	S	*450077	45	2.623	2.627	.250	S	*40369S	4S
2.758	2.762	.500	N	*450077N	45	2.623	2.627	.500	S	*410369	41
2.758	2.762	.500	S	470077	47	39,00mm (1.535") SHAFT					
2.758	2.762	.500	S	*480077	48	-	-	-	S	800400	VRS1
2.758	2.763	.312	S	*474281	47	-	-	-	V	800404	VRS1
2.835	2.839	.468	S	471915	47	0,00	53,20	8,00	N	710451★	32
2.875	2.879	.468	S	*410523	41	.000	2,094	.315	-	-	-
2.875	2.879	.468	S	*450523	45	50,00	50,29	11,00	N	710120★	#
2.875	2.879	.468	S	*470523	47	1.969	1.980	.433	-	-	-
2.875	2.879	.468	S	*480523	48	50,50	50,75	8,50	S	1126★	25
2.996	3.001	.500	S	*410326	41	1.988	1.998	.335	-	-	-
2.996	3.001	.500	S	*450326	45	50,75	51,00	7,50	S	*39X51X7.5★	32
2.996	3.001	.500	S	*470326	47	1.998	2.008	.295	-	-	-
2.996	3.001	.500	S	*480326	48	50,80	51,00	7,50	S	1128★	35
3.000	3.005	.375	S	*471958	47	2.000	2.008	.295	-	-	-
3.000	3.005	.375	S	*481958	48	52,00	52,10	6,00	S	710338★	66
3.000	3.005	.500	S	*451235	45	2.047	2.051	.236	-	-	-
3.125	3.130	.625	S	*210914	21	52,00	52,10	11,30	S	1205N★	47
3.150	3.155	.500	S	*472446	47	2.047	2.051	.445	-	-	-
3.189	3.194	.437	S	450540	45	52,00	52,30	11,30	S	1205★	47
3.350	3.355	.468	S	*450493	45	2.047	2.059	.445	-	-	-
3.543	3.548	.375	S	*477340	47	54,00	54,10	6,00	S	710404★	49
3.543	3.548	.500	S	*415308	41	2.126	2.130	.236	-	-	-
3.544	3.548	.500	S	455308	45	54,75	55,00	9,00	S	*39X55X9★	32
1.502" SHAFT						1.546" SHAFT					
-	-	-	S	800400	VRS1	-	-	-	S	800400	VRS1
-	-	-	V	800404	VRS1	-	-	-	V	800404	VRS1
-	-	.375	-	99150	Redi-Sleeve	2.375	2.385	.500	S	*712144	32
-	-	.563	-	99149	Redi-Sleeve	1.503" SHAFT					
2.126	2.132	.492	N	4530	96	-	-	-	S	800400	VRS1
2.377	2.381	.374	N	4583	86	-	-	-	V	800404	VRS1
1.503" SHAFT						38,50mm (1.516") SHAFT					
-	-	-	S	800400	VRS1	53,00	53,23	8,00	N	710233★	32
-	-	-	V	800404	VRS1	2.087	2.096	.315	-	-	-
-	-	.375	-	99150	Redi-Sleeve	58,00	58,20	8,50	N	710318★	32
-	-	.563	-	99149	Redi-Sleeve	2.283	2.291	.335	-	-	-
1.937	1.950	.475	N	710247	#	1.546" SHAFT					
2.374	2.379	.374	N	4934	79	-	-	-	S	800400	VRS1
2.376	2.383	.420	N	4370N	88	-	-	-	V	800404	VRS1
38,50mm (1.516") SHAFT						1.546" SHAFT					
-	-	-	S	800400	VRS1	2.375	2.385	.500	S	*712144	32
-	-	-	V	800404	VRS1	1.546" SHAFT					
53,00	53,23	8,00	N	710233★	32	-	-	-	S	800400	VRS1
2.087	2.096	.315	-	-	-	-	-	-	V	800404	VRS1
58,00	58,20	8,50	N	710318★	32	1.546" SHAFT					
2.283	2.291	.335	-	-	-	-	-	-	S	800400	VRS1

SIZE SECTION

For Illustration and Material Data See Technical Section
 # Designed For A Specific Application - Not Recommended For General Use ▶ Hydrodynamic Lip Design-CW ◀ Hydrodynamic Lip Design-CCW
 * Call 1-800-480-1212 For Price and Delivery ★ Metric Seal

Size Section

NATIONAL®

Hsg. Bore	Seal O.D.	Seal Width	Lip Mat'l	Part No.	Type/ Illus.
1.550" SHAFT					
-	-	-	S	800400	VRS1
-	-	-	V	800404	VRS1
-	-	.438		99155	Redi-Sleeve
2.686	2.690	.500	S	*3873	#
2.686	2.690	.500	L	8695L**	5L
2.686	2.690	.500	S	8695S↔	47
1.552" SHAFT					
-	-	-	S	800400	VRS1
-	-	-	V	800404	VRS1
-	-	.438		99155	Redi-Sleeve
2.447	2.452	.500	S	2922➔	86
2.447	2.452	.500	S	710046➔	86
2.502	2.506	.312	N	711552	47
2.502	2.506	.500	S	472635	47
2.502	2.506	.500	N	*472635N	47
2.623	2.627	.500	S	*473056	47
2.623	2.627	.500	N	*473056N	47
2.750	2.755	.415	S	4244↔➔	72
3.160	3.165	.530	S	*4434	72
3.160	3.165	.530	N	*4434N	72
3.160	3.165	.530	N	5778	72
3.160	3.165	.608	V	4941V	#
3.160	3.165	.645	V	5778V	72
1.558" SHAFT					
-	-	-	S	800400	VRS1
-	-	-	V	800404	VRS1
2.250	2.254	1.520	S	8935S&	79
2.372	2.376	.350	S	*2876&	74
2.372	2.376	1.500	S	2506&	79
39,60mm (1.559") SHAFT					
51,75	52,00	11,00	S	*39.6X52X11★	32
2.037	2.047	.433			
1.562" (1-9/16") SHAFT					
-	-	-	S	800400	VRS1
-	-	-	V	800404	VRS1
-	-	.563		99156	Redi-Sleeve
2.061	2.275	.338	S	1195	32
2.062	2.066	.200	S	7994S	44
2.062	2.066	.250	S	8421S	33
2.062	2.066	.250	S	*330749	33
2.062	2.066	.250	N	*330749N	33
2.062	2.066	.250	V	330749V	33
2.062	2.067	.188	T	39920➔	FW-H
2.094	2.098	.312	F	*712129	#
2.096	2.102	.250	S	340927	34
2.125	2.129	.375	T	39711➔	FW-H
2.125	2.129	.375	S	473517	47
2.125	2.129	.437	S	*411016	41
2.125	2.129	.437	S	*451016	45
2.125	2.129	.437	S	*471016	47
2.125	2.129	.437	S	*481016	48
2.125	2.129	.437	N	*481016N	48
2.237	2.257	.290	S	200887%	200E
2.250	2.254	.312	S	472213	47
2.250	2.254	.312	S	*482213	48
2.250	2.254	.500	S	*411084	41
2.250	2.254	.500	S	*451084	45
2.250	2.254	.500	H	*451084H	45
2.250	2.254	.500	S	*471084	47
2.250	2.254	.500	S	*481084	48
2.252	2.256	.375	S	*481279	48
2.252	2.256	.375	N	*481279N	48
2.320	2.326	.374	S	1873	35

Hsg. Bore	Seal O.D.	Seal Width	Lip Mat'l	Part No.	Type/ Illus.
1.562" (1-9/16") SHAFT (cont.)					
2.374	2.378	.250	S	40438S	4S
2.374	2.378	.312	S	472299	47
2.374	2.378	.312	V	472299V	47
2.374	2.378	.312	S	*482299	48
2.374	2.378	.312	N	*482299N	48
2.374	2.378	.375	S	*471810	47
2.374	2.378	.375	V	*471810V	47
2.374	2.378	.375	S	*481810	48
2.374	2.378	.500	S	*410438	41
2.374	2.378	.500	S	*450438	45
2.374	2.378	.500	N	*450438N	45
2.374	2.378	.500	S	*470438	47
2.374	2.378	.500	S	*480438	48
2.374	2.378	.500	N	*480438N	48
2.375	2.379	.500	N	*3439N	#
2.437	2.441	.375	S	471821	47
2.437	2.441	.375	H	*471821H	47
2.437	2.441	.375	S	*481821	48
2.437	2.441	.468	S	*410064	41
2.437	2.441	.468	H	*410064H	41
2.437	2.441	.468	S	*450064	45
2.437	2.441	.468	N	*450064N	45
2.437	2.441	.468	S	470064	47
2.437	2.441	.468	S	*480064	48
2.437	2.441	.500	S	*450963	45
2.437	2.441	.500	S	*480963	48
2.441	2.445	.375	S	471827	47
2.441	2.445	.500	S	*470684	47
2.441	2.445	.781	S	*10684S	1S
2.441	2.457	.500	S	8160S	32
2.502	2.506	.250	L	40185	4L
2.502	2.506	.250	S	*42364S	4S
2.502	2.506	.312	S	473229	47
2.502	2.506	.312	S	*483229	48
2.502	2.506	.375	S	*470903	47
2.502	2.506	.500	V	450185V	45
2.502	2.506	.500	S	*410185	41
2.502	2.506	.500	S	450185	45
2.502	2.506	.500	H	*450185H	45
2.502	2.506	.500	N	*450185N	45
2.502	2.506	.500	S	*470185	47
2.502	2.506	.500	S	*480185	48
2.531	2.621	.285	S	200640%	200E
2.561	2.565	.500	S	*410143	41
2.561	2.565	.500	S	450143	45
2.561	2.565	.500	S	*470143	47
2.561	2.565	.500	S	*480143	48
2.623	2.627	.312	S	470682	47
2.623	2.627	.312	S	*480682	48
2.623	2.627	.500	S	*410262	41
2.623	2.627	.500	S	*450262	45
2.623	2.627	.500	S	*470262	47
2.623	2.627	.500	S	*480262	48
2.684	2.701	.250	S	6336S%	26
2.686	2.690	.375	L	5796	201
2.686	2.690	.375	H	*411316H	41
2.686	2.690	.375	S	471316	47
2.686	2.690	.375	S	*481316	48
2.686	2.690	.500	S	*410751	41
2.686	2.690	.500	S	*450751	45
2.686	2.690	.500	S	*470751	47
2.686	2.690	.500	S	*480751	48
2.716	2.720	.468	S	*410803	41
2.716	2.720	.468	S	450803	45
2.750	2.754	.375	S	473441	47
2.750	2.754	.500	S	*410109	41
2.750	2.754	.500	S	*450109	45
2.750	2.754	.500	S	*470109	47
2.750	2.754	.500	N	470109N	47
2.750	2.754	.500	S	*480109	48
2.758	2.762	.500	S	*410273	41
2.758	2.762	.500	S	450273	45

For Illustration and Material Data See Technical Section

Designed For A Specific Application - Not Recommended For General Use ➔ Hydrodynamic Lip Design-CW ↔ Hydrodynamic Lip Design-Bidirectional ** Canada Only

% External Bore & Flanged O.D. * Call 1-800-480-1212 For Price and Delivery ★ Metric Seal

Hsg. Bore	Seal O.D.	Seal Width	Lip Mat'l	Part No.	Type/Illus.	Hsg. Bore	Seal O.D.	Seal Width	Lip Mat'l	Part No.	Type/Illus.
1.562" (1-9/16") SHAFT (cont.)						40,00mm (1.575") SHAFT (cont.)					
2.758	2.762	.500	S	*470273	47	52,00	52,20	7,00	V	*40X52X7V★	32
2.758	2.762	.500	S	*480273	48	2,047	2,055	.276			
2.758	2.762	.500	N	*480273N	48	52,00	52,22	9,00	S	4175★	#
2.833	2.840	.493	V	4889	#	2,047	2,056	.354			
2.873	2.880	.493	V	4890	#	52,00	52,25	6,00	S	1178★	32
2.875	2.879	.375	S	*473442	47	2,047	2,057	.236			
2.875	2.879	.468	S	*410418	41	52,00	52,25	7,00	S	40X52X7★	32
2.875	2.879	.468	S	*450418	45	2,047	2,057	.276			
2.875	2.879	.468	S	*470418	47	52,00	52,28	7,00	S	224010★	35
2.875	2.879	.468	S	*480418	48	2,047	2,058	.276			
2.875	3.062	.468	N	*7525N	47	52,00	52,28	7,00	S	224015★	32
2.996	3.000	.312	S	*453510	45	2,047	2,058	.276			
2.996	3.001	.500	S	*411962	41	52,00	52,28	7,00	H	224052★↔	32
3.150	3.155	.312	S	*473490	47	2,047	2,058	.276			
3.543	3.548	.375	S	476510	47	52,00	52,28	9,00	N	1217★&	35
1.565" SHAFT											
-	-	-	S	800400	VRS1	2,047	2,058	.354			
-	-	-	V	800404	VRS1	52,75	53,00	8,00	S	*40X53X8★	32
-	-	.563		99156	Redi-Sleeve	2,077	2,087	.315			
2.372	2.382	.394	S	710198	#	53,75	54,00	7,00	S	*40X54X7★	32
1.574" SHAFT											
-	-	-	S	800400	VRS1	2,116	2,126	.276			
-	-	-	V	800404	VRS1	53,75	54,00	8,00	S	*40X54X8★	32
-	-	.512		99157	Redi-Sleeve	2,116	2,126	.315			
2.410	2.415	.540	V	714569↔↔	#	53,75	54,00	10,00	S	*40X54X10★	32
2.676	2.683	.500	N	4141	#	2,116	2,126	.394			
40,00mm (1.575") SHAFT											
-	-	-	S	800400	VRS1	53,90	54,00	6,00	S	710444★↔	32
-	-	-	V	800404	VRS1	2,122	2,126	.236			
-	-	.512		99157	Redi-Sleeve	54,00	54,10	5,50	S	1213★	47
0,00	58,24	5,99	S	710505★	32	2,126	2,130	.217			
.000	2,293	.236				54,00	54,10	5,50	S	1213N★	47
0,00	72,00	11,00	S	710523★	#	2,126	2,130	.217			
.000	2,835	.433				54,00	54,10	5,50	S	1213N★	47
49,80	50,00	5,00	S	*40X50X5★	32	2,126	2,130	.315			
1,961	1,969	.197				54,00	54,20	5,50	S	40X54X6★	47
49,80	50,00	6,50	S	*40X50X6.5★	32	2,126	2,134	.217			
1,961	1,969	.256				54,00	54,20	10,00	N	710287★↔↔	32
49,80	50,00	7,00	S	*40X50X7★	32	2,126	2,134	.394			
1,961	1,969	.276				54,75	55,00	7,00	S	*40X55X7★	32
49,80	50,00	10,00	S	*40X50X10★	32	2,155	2,165	.276			
1,961	1,969	.394				54,75	55,00	10,00	S	*40X55X10★	32
50,00	50,20	8,00	S	40X50X8★	35	2,155	2,165	.394			
1,969	1,976	.315				54,89	55,00	13,00	N	710443★	#
51,75	52,00	6,00	S	*40X52X6★	32	2,161	2,165	.512			
2,037	2,047	.236				55,00	55,09	8,00	S	473677★	47
51,75	52,00	8,00	S	*40X52X8★	32	2,165	2,169	.315			
2,037	2,047	.315				55,00	55,09	8,00	S	*476677★	47
51,75	52,00	9,00	S	*40X52X9★	32	2,165	2,169	.315			
2,037	2,047	.354				55,00	55,17	9,60	S	3392★↔↔	47
51,75	52,00	10,00	S	*40X52X10★	32	2,165	2,172	.378			
2,037	2,047	.394				55,00	55,20	6,50	S	40X55X6★	35
52,00	0,00	7,00	V	224053★	32	2,165	2,173	.256			
2,047	.000	.276				55,00	55,20	8,00	V	*40X55X8V★	32
52,00	52,12	7,50	S	*3967★	#	2,165	2,173	.315			
2,047	2,052	.295				55,00	55,28	8,00	S	40X55X8★	32
52,00	52,12	8,00	S	*3609★	47	2,165	2,176	.315			
2,047	2,052	.315				55,00	55,28	9,00	S	224020★↔	32
52,00	52,12	8,50	S	1962★&	78	2,165	2,176	.315			
2,047	2,052	.335				55,75	56,00	8,00	S	*40X56X8★	32
52,00	52,20	6,00	S	710308★↔	32	2,195	2,205	.315			
2,047	2,055	.236				55,75	56,00	8,00	S	*40X56X8★	32
52,00	52,20	6,50	S	239201★&	32	2,195	2,205	.315			
2,047	2,055	.256				55,75	56,00	8,00	S	*40X56X8★	32

SIZE SECTION

For Illustration and Material Data See Technical Section
 # Designed For A Specific Application - Not Recommended For General Use ↗ Hydrodynamic Lip Design-CW ↖ Hydrodynamic Lip Design-CCW
 ↔ Hydrodynamic Lip Design-Bidirectional & Flanged O.D. * Call 1-800-480-1212 For Price and Delivery ★ Metric Seal

Size Section

NATIONAL®



Hsg. Bore	Seal O.D.	Seal Width	Lip Mat'l	Part No.	Type/ Illus.	Hsg. Bore	Seal O.D.	Seal Width	Lip Mat'l	Part No.	Type/ Illus.
40,00mm (1.575") SHAFT (cont.)						40,00mm (1.575") SHAFT (cont.)					
56,00	56,26	7,00	V	*350612★	35	63,25	63,50	10,00	S	*40X63.5X10★	32
2,205	2,215	.276				2,490	2,500	.394			
56,00	56,26	8,00	S	712551★	32	63,75	64,00	10,00	S	*40X64X10★	32
2,205	2,215	.315				2,510	2,520	.394			
56,00	56,26	9,00	V	224026★	35	63,75	64,00	12,00	S	*40X64X12★	32
2,205	2,215	.354				2,510	2,520	.472			
56,75	57,00	7,00	S	*40X57X7★	32	64,00	64,00	11,98	N	1216★&	74
2,234	2,244	.276				2,520	2,520	.472			
56,90	57,15	10,00	S	*40X57.15X10★	32	64,00	64,10	12,00	N	1216N★&	74
2,240	2,250	.394				2,520	2,524	.472			
57,00	57,20	10,00	S	40X57X10★	32	64,00	64,10	12,00	S	710326★	66
2,244	2,252	.394				2,520	2,524	.472			
57,00	57,20	10,00	S	710432★	32	64,75	65,00	8,00	S	*40X65X8★	32
2,244	2,252	.394				2,549	2,559	.315			
57,75	58,00	6,50	S	*40X58X6.5★	32	64,75	65,00	12,00	S	*40X65X12★	32
2,273	2,283	.256				2,549	2,559	.472			
58,00	58,14	9,00	N	3459★↔	74	65,00	65,13	9,53	S	474161★	47
2,283	2,289	.354				2,559	2,564	.375			
58,00	58,20	8,00	S	40X58X8★	32	65,00	65,20	20,00	S	710134★	#
2,283	2,291	.315				2,559	2,567	.787			
58,00	58,20	10,00	V	*40X58X10V★	35	65,00	65,28	10,00	S	40X65X10★	32
2,283	2,291	.394				2,559	2,570	.394			
58,00	58,28	10,00	S	40X58X10★	32	65,00	65,28	10,00	S	224100★	35
2,283	2,294	.394				2,559	2,570	.394			
58,75	59,00	10,00	S	*40X59X10★	32	66,00	66,30	8,00	N	224066★↔	40
2,313	2,323	.394				2,598	2,610	.315			
59,75	60,00	7,00	S	*40X60X7★	32	67,75	68,00	7,00	S	*40X68X7★	32
2,352	2,362	.276				2,667	2,677	.276			
59,75	60,00	12,00	S	*40X60X12★	32	67,75	68,00	10,00	S	*40X68X10★	32
2,352	2,362	.472				2,667	2,677	.394			
60,00	60,20	8,00	S	710147★	#	68,00	68,10	9,00	N	224068★	40
2,362	2,370	.315				2,677	2,681	.354			
60,00	60,20	10,00	S	224040★	35	68,00	68,25	12,00	S	40X68X12★	35
2,362	2,370	.394				2,677	2,687	.472			
60,00	60,20	10,00	S	40X60X10★	32	68,00	68,80	8,00	S	40X68X8★	35
2,362	2,370	.394				2,677	2,709	.315			
60,00	60,20	10,00	V	*40X60X10V★	35	69,75	70,00	10,00	S	*40X70X10★	32
2,362	2,370	.394				2,746	2,756	.394			
60,00	60,20	10,00	S	*1078★	33	69,75	70,00	12,00	S	*40X70X12★	32
2,362	2,370	.394				2,746	2,756	.472			
61,75	62,00	9,00	S	*40X62X9★	32	70,00	70,20	8,00	S	40X70X8★	32
2,431	2,441	.354				2,756	2,764	.315			
61,75	62,00	10,00	S	*40X62X10★	32	71,75	72,00	10,00	S	*40X72X10★	32
2,431	2,441	.394				2,825	2,835	.394			
61,75	62,00	11,00	S	*40X62X11★	32	71,75	72,00	12,00	S	*40X72X12★	32
2,431	2,441	.433				2,825	2,835	.472			
61,75	62,00	11,50	S	*40X62X11.5★	32	72,00	72,35	7,00	S	40X72X7★	35
2,431	2,441	.453				2,835	2,848	.276			
62,00	62,20	7,00	S	40X62X7★	35	72,00	72,35	7,00	V	350572★	35
2,441	2,449	.276				2,835	2,848	.276			
62,00	62,20	7,00	V	*40X62X7V★	32	73,00	73,10	10,00	N	710284★	#
2,441	2,449	.276				2,874	2,878	.394			
62,00	62,20	9,00	S	710131★	#	73,75	74,00	10,00	S	*40X74X10★	32
2,441	2,449	.354				2,903	2,913	.394			
62,00	62,25	8,00	S	40X62X8★	32	74,00	74,12	10,00	S	474133★	47
2,441	2,451	.315				2,913	2,918	.394			
62,00	62,25	10,00	S	*1179★	#	74,00	74,20	8,00	S	*40X74X8★	32
2,441	2,451	.394				2,913	2,921	.315			
62,00	62,25	11,50	S	40X62X12★	35	74,75	75,00	10,00	S	*40X75X10★	32
2,441	2,451	.453				2,943	2,953	.394			
62,00	62,27	10,00	V	710196★	32	74,75	75,00	13,00	S	*40X75X13★	32
2,441	2,452	.394				2,943	2,953	.512			
62,00	62,27	11,00	S	224045★	32	75,00	75,20	8,00	S	40X75X8★	32
2,441	2,452	.433				2,953	2,961	.315			
62,00	62,30	6,50	S	710227★	#	75,00	75,20	12,00	S	712011★	32
2,441	2,453	.256				2,953	2,961	.472			
62,25	62,50	11,00	S	*40X62.5X11★	32	75,00	75,26	12,00	N	2011★↔	40
2,451	2,461	.433				2,953	2,963	.472			
62,75	63,00	7,00	S	*40X63X7★	32	75,00	75,26	18,00	N	712020★↔	32
2,470	2,480	.276				2,953	2,963	.709			
63,00	63,30	8,00	N	224063★↔	32	75,00	75,30	12,00	S	*710050★	32
2,480	2,492	.315				2,953	2,965	.472			

For Illustration and Material Data See Technical Section

Designed For A Specific Application - Not Recommended For General Use ↗ Hydrodynamic Lip Design-CW ↖ Hydrodynamic Lip Design-CCW

↔ Hydrodynamic Lip Design-Bidirectional & Flanged O.D. * Call 1-800-480-1212 For Price and Delivery ★ Metric Seal

Hsg. Bore	Seal O.D.	Seal Width	Lip Mat'l	Part No.	Type/Illus.	Hsg. Bore	Seal O.D.	Seal Width	Lip Mat'l	Part No.	Type/Illus.
40,00mm (1.575") SHAFT (cont.)						1.594" SHAFT (cont.)					
75.00	75.30	12.00	S	710113★	#	58.00	58.23	8.00	S	710140★	32
2.953	2.965	.472				2.283	2.293	.315			
75.75	76.00	8.00	S	*40X76X8★	32	1.598" SHAFT					
2.982	2.992	.315				-	-	-	S	800400	VRS1
76.00	76.25	8.00	S	1036★➔	40	-	-	-	V	800404	VRS1
2.992	3.002	.315				2.476	2.483	.350	N	4765◄	79
76.00	76.28	12.50	N	1146★◄	32	2.476	2.483	.420	N	4764◄	86
2.992	3.003	.492				1.603" SHAFT					
78.00	78.20	10.00	S	40X78X10★	35	-	-	-	S	800400	VRS1
3.071	3.079	.394				-	-	-	V	800404	VRS1
78.00	78.80	8.00	S	40X78X8★	32	-	-	.500		99160	Redi-Sleeve
3.071	3.102	.315				2.282	2.292	.530	N	*7456N&	94
79.72	80.00	7.00	S	*40X80X7★	32	2.375	2.379	.187	N	*8073	#
3.139	3.150	.276				1.605" SHAFT					
79.72	80.00	12.00	S	*40X80X12★	32	-	-	-	S	800400	VRS1
3.139	3.150	.472				-	-	-	V	800404	VRS1
80.00	80.20	10.00	V	*40X80X10V★	32	-	-	.500		99160	Redi-Sleeve
3.150	3.157	.394				2.374	2.386	.375	S	1192	32
80.00	80.28	10.00	S	40X80X10★	35	2.560	2.565	.693	N	714679◄➔	#
3.150	3.161	.394				2.795	2.804	.364	N	4674N◄➔	#
80.22	80.50	10.00	S	*40X80.5X10★	32	1.609" SHAFT					
3.158	3.169	.394				-	-	-	S	800400	VRS1
82.00	82.20	8.00	S	*40X82X8★	32	-	-	-	V	800404	VRS1
3.228	3.236	.315				2.435	2.441	.300	V	2658V	75
85.00	85.20	8.00	S	*40X85X8★	32	2.435	2.441	.300	H	2658➔	75
3.346	3.354	.315				2.750	2.754	.500	S	*413310	41
88.00	88.20	8.00	S	*40X88X8★	32	1.610" SHAFT					
3.465	3.472	.315				-	-	-	S	800400	VRS1
89.72	90.00	10.00	S	*40X90X10★	32	-	-	-	V	800404	VRS1
3.532	3.543	.394				2.500	2.531	.300	S	6283S	26
89.72	90.00	12.00	S	*40X90X12★	32	41,00mm (1.614") SHAFT					
3.532	3.543	.472				-	-	-	S	800400	VRS1
90.00	90.20	8.00	S	40X90X8★	35	-	-	-	V	800404	VRS1
3.543	3.551	.315				50.75	51.00	5.00	S	*41X51X5★	32
1.578" SHAFT						-	-	.197			
-	-	-	S	800400	VRS1	52.75	53.00	7.00	S	*41X53X7★	32
-	-	-	V	800404	VRS1	2.077	2.087	.276			
-	-	.512		99157	Redi-Sleeve	53.00	53.25	7.00	S	1950★	41
2.000	2.004	.250	S	43074S	4S	2.087	2.096	.276			
2.408	2.412	.500	S	450666	45	53.75	54.00	7.00	S	*41X54X7★	32
1.593" (1-19/32") SHAFT						2.116	2.126	.276			
-	-	-	S	800400	VRS1	54.00	54.23	7.00	N	224150★	35
-	-	-	V	800404	VRS1	2.126	2.135	.276			
2.437	2.441	.468	S	450065	45	55.00	55.29	7.00	S	41X55X7★	32
2.437	2.441	.500	S	*482042	48	2.165	2.177	.276			
2.502	2.506	.250	S	482253	48	55.00	55.29	7.00	S	1180★	32
2.502	2.506	.250	N	*482253N	48	2.165	2.177	.276			
2.502	2.506	.281	N	*482605N	48	55.45	55.70	9.00	S	*41X55.7X9★	32
2.502	2.506	.375	S	*481838	48	2.183	2.193	.354			
2.502	2.506	.500	S	*450258	45	56.00	0.00	8.00	V	711181★	32
2.623	2.627	.340	S	451469	45	2.205	.000	.315			
2.623	2.627	.500	S	*451858	45	56.00	56.25	7.00	S	41X56X7★	32
2.623	2.627	.500	H	*451858H	45	2.205	2.215	.276			
2.758	2.762	.500	S	450274	45	56.00	56.25	7.00	S	1181★	35
2.758	2.762	.500	H	*450274H	45	2.205	2.215	.276			
1.594" SHAFT						59.00	59.10	10.00	N	710114★➔	98
-	-	-	S	800400	VRS1	2.323	2.327	.394			
-	-	-	V	800404	VRS1	61.00	61.20	10.00	N	710141★◄	#
.000	2.291	.354	N	710512	40	2.402	2.409	.394			
52.50	52.70	6.00	N	710436★➔	35						
2.067	2.075	.236									
2.125	2.129	.250	S	480581	48						
2.125	2.129	.281	S	*481384	48						
2.125	2.129	.281	N	*481384N	48						
2.125	2.129	.281	V	*481384V	48						

SIZE SECTION

For Illustration and Material Data See Technical Section

Designed For A Specific Application - Not Recommended For General Use ➔ Hydrodynamic Lip Design-CW ◄ Hydrodynamic Lip Design-CCW
 ◄➔ Hydrodynamic Lip Design-Bidirectional & Flanged O.D. * Call 1-800-480-1212 For Price and Delivery ★ Metric Seal

Size Section

NATIONAL®

Hsg. Bore	Seal O.D.	Seal Width	Lip Mat'l	Part No.	Type/ Illus.	Hsg. Bore	Seal O.D.	Seal Width	Lip Mat'l	Part No.	Type/ Illus.
41,00mm (1.614") SHAFT (cont.)						1.625" (1-5/8") SHAFT (cont.)					
62,00	62,20	8,00	S	*41X62X8★	32	2.374	2.378	.500	S	*480358	48
2.441	2.449	.315				2.374	2.378	.500	N	*710358	45
62,00	62,23	9,00	N	710220★➔	32	2.374	2.385	.375	S	*321150	32
2.441	2.450	.354				2.437	2.441	.250	S	*40066S	4S
63,00	63,20	9,00	N	710291★◄	40	2.437	2.441	.312	V	473367V	47
2.480	2.488	.354				2.437	2.441	.312	S	473367	47
63,75	64,00	10,00	S	*41X64X10★	32	2.437	2.441	.312	V	483367V	48
2.510	2.520	.394				2.437	2.441	.375	S	471419	47
68,00	68,20	13,00	S	710402★	#	2.437	2.441	.375	S	*481419	48
2.677	2.685	.512				2.437	2.441	.375	H	*481419H	48
1.618" SHAFT						1.625" (1-5/8") SHAFT					
-	-	-	S	800400	VRS1	2.437	2.441	.468	S	*410066	41
-	-	-	V	800404	VRS1	2.437	2.441	.468	S	450066	45
2.000	2.004	.235	S	*484206	48	2.437	2.441	.468	N	*450066N	45
2.124	2.128	.250	V	*483525V	48	2.437	2.441	.468	S	470066	47
2.531	2.535	.750	S	8477S	48	2.437	2.441	.500	S	*480066	48
2.574	2.579	.460	S	*3983◄➔	47	2.437	2.441	.500	S	*452401	45
2.575	2.579	.460	L	8835L**	33	2.437	2.441	.500	V	*452401V	45
2.575	2.579	.500	S	8835S◄➔	33	2.437	2.441	.500	S	*482401	48
2.841	2.849	.500	N	4762N◄➔	74	2.440	2.444	.500	S	*482401V	48
1.625" (1-5/8") SHAFT						1.625" (1-5/8") SHAFT					
-	-	-	S	800400	VRS1	2.441	2.445	.375	S	471829	47
-	-	-	V	800404	VRS1	2.441	2.445	.500	V	471829V	47
-	-	.313		*99161	Redi-Sleeve	2.441	2.445	.500	S	*410795	41
-	-	.563		99162	Redi-Sleeve	2.448	2.502	.250	F	*6356	29
2.000	2.004	.250	S	473694	47	2.462	-	.250	S	200641%	200E
2.087	2.091	.275	S	*413799	41	2.502	2.506	.250	S	*472758	47
2.116	2.120	.312	S	472419	47	2.502	2.506	.250	N	*472758N	47
2.116	2.120	.312	N	*472419N	47	2.502	2.506	.250	V	472758V	47
2.116	2.127	.312	S	324939	32	2.502	2.506	.250	S	*482758	48
2.125	2.129	.250	S	481181	48	2.502	2.506	.312	V	473010V	47
2.125	2.129	.250	H	*481181H	48	2.502	2.506	.312	S	473010	47
2.125	2.129	.250	N	481181N	48	2.502	2.506	.312	A	473010A	47
2.250	2.254	.312	S	473230	47	2.502	2.506	.312	N	473010N	47
2.250	2.254	.312	S	*483230	48	2.502	2.506	.312	S	*483010	48
2.250	2.254	.312	V	483230V	48	2.502	2.506	.312	N	*483010N	48
2.250	2.254	.500	S	*410755	41	2.502	2.506	.375	N	*451839N	45
2.250	2.254	.500	S	*450755	45	2.502	2.506	.375	S	*471839	47
2.250	2.254	.500	S	*450755H	45	2.502	2.506	.375	H	*471839H	47
2.250	2.254	.500	S	*470755	47	2.502	2.506	.375	N	*471839N	47
2.250	2.254	.500	S	*480755	48	2.502	2.506	.375	S	*481839	48
2.251	2.255	.375	S	1999	48	2.502	2.506	.375	N	*481839N	48
2.251	2.256	.375	S	*471289	47	2.502	2.506	.500	V	410194V	41
2.251	2.256	.375	S	*481289	48	2.502	2.506	.500	S	450194	45
2.282	2.286	.313	S	710204	48	2.502	2.506	.500	H	*450194H	45
2.327	2.332	.406	S	204017	204	2.502	2.506	.500	H	*450194H	45
2.327	2.332	.440	S	*204075	204	2.502	2.506	.500	N	*450194N	45
2.328	2.332	.406	F	205017	205	2.502	2.506	.500	S	*470194	47
2.328	2.332	.437	S	473117	47	2.502	2.506	.500	S	*480194	48
2.328	2.332	.437	N	*473117N	47	2.562	2.565	.375	S	474216	47
2.374	2.378	.312	V	473231V	47	2.562	2.566	.250	S	204500	4S
2.374	2.378	.312	S	473231	47	2.562	2.566	.375	F	291099	29
2.374	2.378	.312	A	473231A	47	2.562	2.566	.437	S	4763S	#
2.374	2.378	.312	S	*483231	48	2.623	2.627	.250	S	*42135S	4S
2.374	2.378	.375	S	*471150	47	2.623	2.627	.312	S	473232	47
2.374	2.378	.375	S	*481150	48	2.623	2.627	.312	S	*483232	48
2.374	2.378	.375	H	*481150H	48	2.623	2.627	.500	S	*410069	41
2.374	2.378	.375	N	*481150N	48	2.623	2.627	.500	S	450069	45
2.374	2.378	.437	S	453341	45	2.623	2.627	.500	N	*450069N	45
2.374	2.378	.500	S	*410358	41	2.623	2.627	.500	V	*450069V	45
2.374	2.378	.500	H	*410358H	41	2.623	2.627	.500	S	*470069	47
2.374	2.378	.500	N	*410358N	41	2.623	2.627	.500	N	*470069N	47
2.374	2.378	.500	S	*450358	45	2.623	2.627	.500	V	*450069V	45
2.374	2.378	.500	N	*450358N	45	2.623	2.627	.500	S	*470069	47
2.374	2.378	.500	S	470358	47	2.623	2.627	.500	H	*470069H	47
2.374	2.378	.500	H	*470358H	47	2.623	2.627	.500	S	*480069	48
2.374	2.378	.500	N	470358N	47	2.625	2.629	.250	S	40568S	4S
2.374	2.378	.500	S	*410358	41	2.625	2.629	.500	T	50568➔	5S
2.374	2.378	.500	H	*410358H	41	2.625	2.629	.500	T	50569	5S
2.374	2.378	.500	N	*410358N	41	2.686	2.690	.375	S	481864	48
2.374	2.378	.500	S	*450358	45	2.686	2.690	.375	H	*481864H	48
2.374	2.378	.500	N	*450358N	45	2.686	2.690	.500	S	*450072	45
2.374	2.378	.500	S	470358	47	2.686	2.690	.500	S	*480072	48
2.374	2.378	.500	H	*470358H	47	2.722	2.727	.406	F	5727	20S
2.374	2.378	.500	N	470358N	47	2.750	2.754	.180	N	*8994N	48
2.374	2.378	.500	L	40286	4L	2.750	2.754	.250	L	40286	4L

For Illustration and Material Data See Technical Section

Designed For A Specific Application - Not Recommended For General Use ➔ Hydrodynamic Lip Design-CW ◄ Hydrodynamic Lip Design-CCW

◄➔ Hydrodynamic Lip Design-Bidirectional ** Canada Only % External Bore * Call 1-800-480-1212 For Price and Delivery ★ Metric Seal

Hsg. Bore	Seal O.D.	Seal Width	Lip Mat'l	Part No.	Type/Illus.	Hsg. Bore	Seal O.D.	Seal Width	Lip Mat'l	Part No.	Type/Illus.
1.625" (1-5/8") SHAFT (cont.)						1.652" SHAFT					
2.750	2.754	.250	S	*42754S	4S	-	-	-	S	800400	VRS1
2.750	2.754	.312	S	*474247	47	-	-	-	V	800404	VRS1
2.750	2.754	.312	S	*474274	47	-	-	.445	-	99166	Redi-Sleeve
2.750	2.754	.375	S	473443	47	-	-	.563	-	99169	Redi-Sleeve
2.750	2.754	.500	S	*410286	41	-	-	-	-	-	-
2.750	2.754	.500	N	*410286N	41	2.518	2.524	.394	S	3622	74
2.750	2.754	.500	S	*450286	45	42,00mm (1.654") SHAFT					
2.750	2.754	.500	N	*450286N	45	-	-	-	S	800400	VRS1
2.750	2.754	.500	S	470286	47	-	-	-	V	800404	VRS1
2.750	2.754	.500	S	*480286	48	-	-	.445	-	99166	Redi-Sleeve
2.758	2.762	.500	S	450275	45	-	-	.563	-	99169	Redi-Sleeve
2.758	2.762	.500	S	*480275	48	-	-	-	-	-	-
2.835	2.839	.468	S	*450819	45	49,80	50,00	6,00	S	*42X50X6★	32
2.875	2.879	.375	V	*473444V	47	1.961	1.969	.236	-	-	-
2.875	2.879	.437	N	*411923N	41	49,80	50,00	7,00	S	*42X50X7★	32
2.875	2.879	.437	N	471923N	47	1.961	1.969	.276	-	-	-
2.875	2.879	.468	S	450078	45	51,75	52,00	4,00	S	*42X52X4★	32
2.875	2.879	.468	S	*480078	48	2.037	2.047	.157	-	-	-
2.875	2.879	.500	S	*452170	45	51,75	52,00	6,00	S	*42X52X6★	32
2.875	2.879	.500	S	*482170	48	2.037	2.047	.236	-	-	-
2.996	3.001	.500	S	450415	45	51,75	52,00	7,00	S	*42X52X7★	32
2.996	3.001	.500	S	*480415	48	2.037	2.047	.276	-	-	-
3.000	3.004	.312	S	*414268	41	53,75	54,00	7,00	S	*42X54X7★	32
3.000	3.005	.500	S	*410539	41	2.116	2.126	.276	-	-	-
3.000	3.005	.500	N	*410539N	41	54,75	55,00	9,00	S	*42X55X9★	32
3.000	3.005	.500	S	450539	45	2.155	2.165	.354	-	-	-
3.062	3.066	.500	S	*480539	48	54,89	55,00	8,00	S	1214★	47
3.125	3.130	.500	N	*450335	45	2.161	2.165	.315	-	-	-
3.251	3.256	.500	S	*411978N	41	54,89	55,00	8,00	S	1214N★	47
3.251	3.256	.500	S	*410467	41	2.161	2.165	.315	-	-	-
3.251	3.256	.500	S	450467	45	55,00	55,12	8,00	H	3051★	33
3.543	3.548	.375	S	*477104	47	2.165	2.170	.315	-	-	-
3.937	3.942	.375	S	*476878	47	55,00	55,12	8,00	H	3051N★	33
1.628" SHAFT						2.165	2.170	.315	-	-	-
-	-	-	S	800400	VRS1	55,00	55,12	8,00	S	42X55X7★	32
-	-	-	V	800404	VRS1	2.165	2.173	.276	-	-	-
-	-	.313	-	*99161	Redi-Sleeve	55,00	55,20	7,50	S	224200★	32
-	-	.563	-	99162	Redi-Sleeve	2.165	2.173	.295	-	-	-
2.122	2.126	.343	S	710202	#	55,00	55,20	8,00	V	*42X55X8V★	35
2.278	2.282	.343	S	710241	68	2.165	2.173	.315	-	-	-
1.630" SHAFT						55,00	55,28	8,00	S	224210★	35
-	-	-	S	800400	VRS1	2.165	2.176	.315	-	-	-
-	-	-	V	800404	VRS1	55,00	55,28	8,00	S	42X55X8★	35
2.415	2.441	.492	N	4143	#	2.165	2.176	.315	-	-	-
41,70mm (1.642") SHAFT						55,00	55,33	9,00	N	224205★	32
54,75	55,00	7,00	S	*41.7X55X7★	32	2.165	2.178	.354	-	-	-
2.155	2.165	.276	-	-	-	55,75	56,00	6,00	S	*42X56X6★	32
54,75	55,00	10,00	S	*41.7X55X10★	32	2.195	2.205	.236	-	-	-
2.155	2.165	.394	-	-	-	55,75	56,00	10,00	S	*42X56X10★	32
1.645" SHAFT						2.195	2.205	.394	-	-	-
-	-	-	S	800400	VRS1	56,00	56,10	14,00	N	710221★	#
-	-	-	V	800404	VRS1	2.205	2.209	.551	-	-	-
2.656	2.660	.406	N	8620N	47	56,00	56,13	7,00	S	42X56X7★	32
1.650" SHAFT						2.205	2.210	.276	-	-	-
-	-	-	S	800400	VRS1	56,00	56,13	7,00	H	*1944★	32
-	-	-	V	800404	VRS1	2.205	2.210	.276	-	-	-
-	-	.445	-	99166	Redi-Sleeve	56,00	56,16	7,00	N	473560N★	47
-	-	.563	-	99169	Redi-Sleeve	2.205	2.211	.276	-	-	-
2.282	2.336	.768	H	3083	48	56,00	56,21	6,00	S	710097★	#
2.410	2.414	.361	S	710102	#	2.205	2.213	.236	-	-	-
						56,00	56,20	7,00	V	*42X56X7V★	35
						2.205	2.213	.276	-	-	-
						56,00	56,21	7,00	S	224220★	49
						2.205	2.213	.276	-	-	-
						56,00	56,20	7,00	H	710386★	32
						2.205	2.213	.276	-	-	-
						56,00	56,28	7,00	S	494117★	49
						2.205	2.216	.276	-	-	-
						56,00	56,34	7,00	H	3774★	35
						2.205	2.218	.276	-	-	-

SIZE SECTION

For Illustration and Material Data See Technical Section
 # Designed For A Specific Application - Not Recommended For General Use ➔ Hydrodynamic Lip Design-CW ➔ Hydrodynamic Lip Design-Bidirectional
 * Call 1-800-480-1212 For Price and Delivery ★ Metric Seal

Size Section

NATIONAL®



Hsg. Bore	Seal O.D.	Seal Width	Lip Mat'l	Part No.	Type/ Illus.	Hsg. Bore	Seal O.D.	Seal Width	Lip Mat'l	Part No.	Type/ Illus.
42,00mm (1.654") SHAFT (cont.)						42,00mm (1.654") SHAFT (cont.)					
56,30	56,44	8,00	S	710186★	#	64,75	65,00	7,50	S	*42X65X7.5★	32
2,216	2,222	.315				2,549	2,559	.295			
56,50	56,70	8,00	S	710244★	#	64,75	65,00	9,00	S	*42X65X9★	32
2,224	2,232	.315				2,549	2,559	.354			
57,75	58,00	8,00	S	*42X58X8★	32	64,75	65,00	12,00	S	*42X65X12★	32
2,273	2,283	.315				2,549	2,559	.472			
57,75	58,00	10,00	S	*42X58X10★	32	64,80	65,00	13,50	S	710179★➡	32
2,273	2,283	.394				2,551	2,555	.531			
58,00	58,10	7,00	S	42X58X7★	48	65,00	65,15	10,00	N	42X65X10★	47
2,283	2,287	.276				2,559	2,565	.394			
58,00	58,10	10,00	S	*2000★	33	65,00	65,15	10,00	N	224255★	47
2,283	2,287	.394				2,559	2,565	.394			
58,00	58,17	7,00	V	474241V★➡	47	65,00	65,20	10,00	V	*42X65X10V★	35
2,283	2,290	.276				2,559	2,567	.394			
58,00	58,18	7,00	S	224235★	48	65,05	65,15	9,50	N	*474135N★	47
2,283	2,291	.276				2,561	2,565	.374			
58,00	58,20	12,00	S	710517★	#	66,00	66,28	10,00	S	224266★	32
2,283	2,291	.472				2,598	2,609	.394			
58,00	58,28	8,00	N	224215★◀	32	67,00	67,13	7,16	V	4615V★➡	83
2,283	2,294	.315				2,638	2,643	.282			
59,00	59,10	7,00	N	710442★➡	48	67,00	67,20	10,00	N	710286★◀➡	32
2,323	2,327	.276				2,638	2,646	.394			
59,75	60,00	8,00	S	*42X60X8★	32	68,00	68,20	8,00	S	42X68X8★	32
2,352	2,362	.315				2,677	2,685	.315			
59,75	60,00	9,00	S	*42X60X9★	32	68,00	68,20	10,00	S	42X68X10★	32
2,352	2,362	.354				2,677	2,685	.394			
59,75	60,00	10,00	S	*42X60X10★	32	69,75	70,00	8,00	S	*42X70X8★	32
2,352	2,362	.394				2,746	2,756	.315			
59,75	60,00	12,00	S	*42X60X12★	32	69,75	70,00	12,00	S	*42X70X12★	32
2,352	2,362	.472				2,746	2,756	.472			
60,00	60,20	10,00	V	*42X60X10V★	35	70,00	70,20	10,00	S	42X70X10★	32
2,362	2,370	.394				2,756	2,764	.394			
60,00	60,22	7,00	S	42X60X7★	32	72,00	72,20	8,00	S	42X72X8★	32
2,362	2,371	.276				2.835	2.843	.315			
60,00	60,22	7,00	V	*320563★	32	72,00	72,20	10,00	V	*42X72X10V★	35
2,362	2,371	.276				2,835	2,843	.394			
60,00	60,22	7,00	S	*323715★	32	72,00	72,27	10,00	S	42X72X10★	32
2,362	2,371	.276				2,835	2,845	.394			
60,00	60,22	7,04	N	1953★	32	72,00	72,27	10,00	S	224270★	32
2,362	2,371	.277				2,835	2,845	.394			
60,00	60,42	7,00	V	2025★	32	72,00	72,28	10,00	S	710207★	40
2,362	2,379	.276				2,835	2,846	.394			
61,75	62,00	7,00	S	*42X62X7★	32	74,75	75,00	10,00	S	*42X75X10★	32
2,431	2,441	.276				2,943	2,953	.394			
61,75	62,00	10,00	S	*42X62X10★	32	74,75	75,00	12,00	S	*42X75X12★	32
2,431	2,441	.394				2,943	2,953	.472			
61,75	62,00	12,00	S	*42X62X12★	32	75,00	75,20	8,00	S	*42X75X8★	32
2,431	2,441	.472				2,953	2,961	.315			
62,00	62,10	12,00	S	710403★	#	75,75	76,00	12,00	S	*42X76X12★	32
2,441	2,445	.472				2,982	2,992	.472			
62,00	62,20	7,00	S	710301★	97	76,00	76,10	14,00	N	710245★➡	#
2,441	2,449	.276				2,992	2,996	.551			
62,00	62,20	8,00	V	*42X62X8V★	32	76,00	76,28	12,00	S	710195★	40
2,441	2,449	.315				2,992	3,003	.472			
62,00	62,20	8,00	N	710408★	32	77,72	78,00	10,00	S	*42X78X10★	32
2,441	2,449	.315				3,060	3,071	.394			
62,00	62,27	8,00	S	224250★	35	78,00	78,20	8,00	S	*42X78X8★	32
2,441	2,452	.315				3,071	3,079	.315			
62,00	62,27	8,00	S	42X62X8★	35	80,00	80,20	8,00	S	42X80X8★	32
2,441	2,452	.315				3,150	3,157	.315			
62,00	62,27	10,00	S	*1946★	35	80,00	80,20	10,00	S	42X80X10★	35
2,441	2,452	.394				3,150	3,157	.394			
62,00	62,27	10,00	S	224252★	32	90,00	90,09	9,00	N	710133★	#
2,441	2,452	.394				3,543	3,547	.354			
62,75	63,00	7,00	S	*42X63X7★	32	90,00	90,28	12,00	N	710246★	#
2,470	2,480	.276				3,543	3,554	.472			
63,00	63,20	9,00	N	710298★➡	40	1.656" (1-21/32") SHAFT					
2,480	2,488	.354				-	-	-	S	800400	VRS1
63,75	64,00	8,00	S	*42X64X8★	32	-	-	-	V	800404	VRS1
2,510	2,520	.315				2,502	2,506	.500	S	450260	45
64,00	64,18	6,00	S	224254★	34						
2,520	2,527	.236									

For Illustration and Material Data See Technical Section

Designed For A Specific Application - Not Recommended For General Use ➡ Hydrodynamic Lip Design-CW ◀ Hydrodynamic Lip Design-CCW

◀➡ Hydrodynamic Lip Design-Bidirectional * Call 1-800-480-1212 For Price and Delivery ★ Metric Seal

Hsg. Bore	Seal O.D.	Seal Width	Lip Mat'l	Part No.	Type/Illus.	Hsg. Bore	Seal O.D.	Seal Width	Lip Mat'l	Part No.	Type/Illus.
1.656" (1-21/32") SHAFT (cont.)						1.687" (1-11/16") SHAFT (cont.)					
2.623	2.627	.455	N	7457N	1S	2.502	2.506	.312	S	473234	47
2.623	2.627	.455	N	*9541N	#	2.502	2.506	.375	S	*450363	45
2.686	2.690	.500	S	450073	45	2.502	2.506	.375	H	*450363H	45
2.686	2.690	.500	S	*480073	48	2.502	2.506	.375	S	*480363	48
2.750	2.754	.500	S	*450284	45	2.502	2.506	.500	S	*410154	41
2.875	2.879	.468	S	*450079	45	2.502	2.506	.500	N	*410154N	41
2.937	2.941	.375	S	472660	47	2.502	2.506	.500	S	450154	45
1.670" SHAFT						2.502	2.506	.500	S	*470154	47
-	-	-	S	800400	VRS1	2.502	2.506	.500	H	*470154H	47
-	-	-	V	800404	VRS1	2.502	2.506	.582	S	7038SA◀	41
2.686	2.690	.500	S	452086	45	2.560	2.579	.375	S	2146	#
1.673" SHAFT						2.560	2.579	.375	S	*5114	#
-	-	-	S	800400	VRS1	2.560	2.579	.470	S	712146◀➡	25
-	-	-	V	800404	VRS1	2.561	2.565	.500	S	*410460	41
2.162	2.166	.285	S	4099&	287	2.561	2.565	.500	S	470460	47
1.675" SHAFT						2.561	2.566	.500	S	*203041	203
-	-	-	S	800400	VRS1	2.605	2.609	.235	S	9178S	4S
-	-	-	V	800404	VRS1	2.623	2.627	.312	S	473235	47
2.000	2.175	.200	S	710385	#	2.623	2.627	.375	S	440265	44
1.680" SHAFT						2.623	2.627	.437	N	8516N	47
2.500	2.506	1.535	S	2465	79	2.623	2.627	.500	S	*410265	41
1.685" SHAFT						2.623	2.627	.500	N	*410265N	41
-	-	-	S	800400	VRS1	2.623	2.627	.500	S	*450265	45
-	-	-	V	800404	VRS1	2.623	2.627	.500	S	*470265	47
-	-	.313		*99167	Redi-Sleeve	2.623	2.627	.500	H	*470265H	47
-	-	.563		99168	Redi-Sleeve	2.623	2.627	.500	S	*480265	48
2.500	2.506	.421	V	4981V	#	2.624	2.628	.609	V	*8547	#
2.500	2.506	1.250	N	7300S◀	79	2.624	2.628	.609	H	*8547H	#
1.687" (1-11/16") SHAFT						2.650	2.725	.290	S	200886%	200E
-	-	-	S	800400	VRS1	2.684	2.706	.250	S	7381S	24
-	-	-	V	800404	VRS1	2.686	2.690	.500	S	*410074	41
-	-	.313		*99167	Redi-Sleeve	2.686	2.690	.500	S	*450074	45
-	-	.563		99168	Redi-Sleeve	2.686	2.690	.500	S	470074	47
2.500	2.506	.421	V	4981V	#	2.686	2.690	.500	S	*480074	48
2.500	2.506	1.250	N	7300S◀	79	2.686	2.691	.312	S	474265	47
1.687" (1-11/16") SHAFT						2.714	2.718	.468	S	*410421	41
-	-	-	S	800400	VRS1	2.716	2.720	.468	S	*410765	41
-	-	-	V	800404	VRS1	2.716	2.720	.468	S	450765	45
-	-	.313		*99167	Redi-Sleeve	2.750	2.754	.312	S	473236	47
-	-	.563		99168	Redi-Sleeve	2.750	2.754	.500	S	*410186	41
2.279	2.283	.500	L	*6084	5L	2.750	2.754	.500	S	*450186	45
2.279	2.285	.250	S	353141	35	2.750	2.754	.500	S	*470186	47
2.327	2.332	.500	S	203008	203	2.750	2.754	.500	S	*480186	48
2.327	2.332	.500	S	204008	204	2.835	2.839	.468	S	*410596	41
2.328	2.332	.312	S	473317	47	2.835	2.839	.468	S	*450596	45
2.328	2.332	.312	N	*473317N	47	2.835	2.839	.468	S	470596	47
2.328	2.332	.437	S	*471410	47	2.835	2.839	.468	V	470596V	47
2.328	2.332	.437	S	*481410	48	2.835	2.839	.468	S	*480596	48
2.328	2.332	.531	S	7022S	276	2.875	2.879	.375	S	473446	47
2.363	2.367	.437	S	*481345	48	2.875	2.879	.468	S	*410080	41
2.363	2.367	.437	H	*481345H	48	2.875	2.879	.468	S	*450080	45
2.363	2.367	.437	N	*481345N	48	2.875	2.879	.468	S	*470080	47
2.374	2.378	.312	S	473233	47	2.875	2.879	.468	S	*480080	48
2.374	2.378	.375	S	*471812	47	2.875	2.879	.500	S	*452629	45
2.374	2.378	.375	S	*481812	48	2.875	2.879	.500	S	*482629	48
2.374	2.378	.500	S	*410562	41	2.875	2.879	.622	S	*4020	#
2.437	2.441	.312	S	473445	47	2.875	2.885	.625	S	*712143	32
2.437	2.441	.312	V	*473445V	47	3.000	3.005	.375	S	471981	47
2.437	2.441	.468	S	*410479	41	3.000	3.005	.500	S	*451226	45
2.437	2.441	.468	S	*450479	45	3.062	3.066	.500	S	*410086	41
2.437	2.441	.468	S	*470479	47	3.062	3.066	.500	S	*450086	45
2.437	2.441	.468	S	*480479	48	3.062	3.066	.500	S	470086	47
2.437	2.441	.468	H	480479H	48	3.062	3.066	.500	S	*480086	48
2.437	2.441	.468	V	*480479V	48	3.125	3.130	.375	S	*481982	48
2.500	2.506	1.535	N	*2854◀	79	3.125	3.130	.500	S	*450687	45
2.502	2.506	.250	S	40154S	4S	3.125	3.130	.500	S	470687	47
						3.125	3.130	.500	N	*470687N	47
						3.125	3.130	.500	S	*480687	48
						3.189	3.194	.437	S	450533	45
						.000	2.551	.595	S	710502	#

SIZE SECTION

For Illustration and Material Data See Technical Section
 # Designed For A Specific Application - Not Recommended For General Use ◀ Hydrodynamic Lip Design-CCW ◀➡ Hydrodynamic Lip Design-Bidirectional % External Bore & Flanged O.D. * Call 1-800-480-1212 For Price and Delivery

Size Section

NATIONAL®

Hsg. Bore	Seal O.D.	Seal Width	Lip Mat'l	Part No.	Type/ Illus.
42,90mm (1.689") SHAFT					
61,75	62,00	8,00	S	*42.9X62X8★	32
2.431	2.441	.315			
43,00mm (1.693") SHAFT					
-	-	-	S	800400	VRS1
-	-	-	V	800404	VRS1
49,80	50,00	7,00	S	*43X50X7★	32
1.961	1.969	.276			
54,00	54,10	6,50	S	224400★	25
2.126	2.130	.256			
54,00	54,10	7,50	S	334111★	33
2.126	2.130	.295			
54,75	55,00	9,00	S	*43X55X9★	32
2.155	2.165	.354			
55,00	55,20	6,00	V	2012★➔	32
2.165	2.173	.236			
55,00	55,20	6,00	V	2012V★➔	32
2.165	2.173	.236			
55,00	55,20	8,00	H	710264★➔	32
2.165	2.173	.236			
55,00	55,20	8,00	S	43X55X8★	32
2.165	2.173	.315			
55,00	55,25	8,00	S	1183★	34
2.165	2.175	.315			
57,00	57,20	8,00	S	*43X57X8★	32
2.244	2.252	.315			
57,75	58,00	8,00	S	*43X58X8★	32
2.273	2.283	.315			
58,47	58,62	7,50	S	710159★	#
2.302	2.308	.295			
60,00	60,30	8,00	S	320583★➔	32
2.362	2.374	.315			
61,75	62,00	8,00	S	*43X62X8★	32
2.431	2.441	.315			
61,75	62,00	12,00	S	*43X62X12★	32
2.431	2.441	.472			
62,00	62,10	9,50	S	224320★	47
2.441	2.445	.374			
62,00	62,10	9,50	S	*474137★	47
2.441	2.445	.374			
2.480	2.488	.394	S	710431	#
65,00	65,20	8,00	S	43X65X8★	32
2.559	2.567	.315			
65,04	65,14	9,50	S	710387★	47
2.561	2.565	.374			
65,75	66,00	10,00	S	*43X66X10★	32
2.588	2.598	.394			
69,00	69,20	8,00	S	*43X69X8★	32
2.717	2.724	.315			
70,00	70,20	9,00	S	710142★	#
2.756	2.764	.354			
73,00	73,20	8,00	S	*43X73X8★	32
2.874	2.882	.315			
1.694" SHAFT					
.000	2.462	.433	V	710513	#
1.703" SHAFT					
-	-	-	S	800450	VRS1
-	-	-	S	800451	VRS2
-	-	-	V	800454	VRS1
-	-	-	V	800455	VRS2
3.030	3.039	.500	S	710067★➔	69
3.084	3.090	.500	S	3747★➔	69
1.705" SHAFT					
-	-	-	S	800450	VRS1
-	-	-	S	800451	VRS2
-	-	-	V	800454	VRS1
-	-	-	V	800455	VRS2

Hsg. Bore	Seal O.D.	Seal Width	Lip Mat'l	Part No.	Type/ Illus.
1.705" SHAFT (cont.)					
-	-	-	V	800455	VRS2
3.034	3.039	.562	V	100357	86
3.080	3.084	.461	S	710105★➔	#
1.709" SHAFT					
-	-	-	S	800450	VRS1
-	-	-	S	800451	VRS2
-	-	-	V	800454	VRS1
-	-	-	V	800455	VRS2
2.205	2.213	.292	N	2955➔	71
43,50mm (1.713") SHAFT					
61,75	62,00	6,50	S	*43.5X62X6.5★	32
2.431	2.441	.256			
1.718" (1-23/32") SHAFT					
-	-	-	S	800450	VRS1
-	-	-	S	800451	VRS2
-	-	-	V	800454	VRS1
-	-	-	V	800455	VRS2
-	-	.563	S	99171	Redi-Sleeve
2.228	2.185	.056	S	*9087	#
2.437	2.441	.468	L	50327	5L
2.561	2.565	.500	V	442251V	44
2.561	2.565	.500	S	442251	44
2.561	2.565	.500	S	473336	47
2.562	2.566	.500	F	*205051	205
2.623	2.627	.500	S	450068	45
2.875	2.879	.468	L	50081	5L
2.996	3.000	.375	F	6101	29
1.730" SHAFT					
-	-	-	S	800450	VRS1
-	-	-	S	800451	VRS2
-	-	-	V	800454	VRS1
-	-	-	V	800455	VRS2
2.336	2.340	.250	S	6840S	4S
2.336	2.340	.280	F	7607	#
2.336	2.340	.470	N	8121S	25
2.758	2.762	.882	S	*7729	39
2.834	2.838	.375	S	*483602	48
2.834	2.838	.468	S	*483326	48
2.875	2.879	.468	S	*473559	47
44,00mm (1.732") SHAFT					
-	-	-	S	800450	VRS1
-	-	-	S	800451	VRS2
-	-	-	V	800454	VRS1
-	-	-	V	800455	VRS2
53,75	54,00	7,00	S	*44X54X7★	32
2.116	2.126	.276			
58,00	58,20	8,00	S	*44X58X8★	32
2.283	2.291	.315			
59,00	59,23	6,80	N	224450★➔	35
2.323	2.332	.268			
59,75	60,00	9,00	S	*44X60X9★	32
2.352	2.362	.354			
60,00	60,20	7,00	S	44X60X7★	32
2.362	2.370	.276			
60,00	60,20	10,00	S	44X60X10★	35
2.362	2.370	.394			
60,00	60,28	10,00	H	224460★➔	32
2.362	2.373	.394			
61,75	62,00	7,00	S	*44X62X7★	32
2.431	2.441	.276			
61,75	62,00	10,00	S	*44X62X10★	32
2.431	2.441	.394			

For Illustration and Material Data See Technical Section

Designed For A Specific Application - Not Recommended For General Use ➔ Hydrodynamic Lip Design-CW ➔ Hydrodynamic Lip Design-Bidirectional

* Call 1-800-480-1212 For Price and Delivery ★ Metric Seal

Hsg. Bore	Seal O.D.	Seal Width	Lip Mat'l	Part No.	Type/Illus.	Hsg. Bore	Seal O.D.	Seal Width	Lip Mat'l	Part No.	Type/Illus.
44.00mm (1.732") SHAFT (cont.)						1.750" (1-3/4") SHAFT					
62.00	62.26	8.00	S	44X62X8★↔	32	-	-	-	S	800450	VRS1
2.441	2.451	.315	-	-	-	-	-	-	S	800451	VRS2
62.00	62.26	8.00	S	224462★↔	32	-	-	-	V	800454	VRS1
2.441	2.451	.315	-	-	-	-	-	-	V	800455	VRS2
62.00	62.28	10.00	N	224464★←	32	-	-	.375		99172	Redi-Sleeve
2.441	2.452	.394	-	-	-	-	-	.531		* 99180	Redi-Sleeve
64.75	65.00	11.00	S	*44X65X11★	32	-	-	.563		99174	Redi-Sleeve
2.549	2.559	.433	-	-	-	-	-	.750		99175	Redi-Sleeve
65.00	65.20	11.00	S	224465★→	32	-	-				
2.559	2.567	.433	-	-	-	-	-				
65.00	65.28	10.00	S	44X65X10★	35	2.250	-	.250	U	710024	#
2.559	2.570	.394	-	-	-	2.250	2.254	.250	S	42352S	4S
66.00	66.10	6.00	S	710223★	#	2.250	2.254	.359	S	450400	45
2.598	2.602	.236	-	-	-	2.250	2.254	.359	V	*450400V	45
68.00	68.30	8.00	N	350609★←	35	2.250	2.258	.187	S	6703S	35
2.677	2.689	.315	-	-	-	2.250	2.258	.250	S	340400	34
69.75	70.00	12.00	S	*44X70X12★	32	2.250	2.258	.250	H	*340400H	34
2.746	2.756	.472	-	-	-	2.328	2.332	.437	S	482126	48
70.00	70.20	8.00	S	44X70X8★	32	2.374	2.378	.250	S	*41206S	4S
2.756	2.764	.315	-	-	-	2.374	2.378	.312	S	473237	47
72.00	72.11	10.00	S	44X72X10★	32	2.374	2.378	.312	V	473237V	47
2.835	2.839	.394	-	-	-	2.374	2.378	.312	S	*483237	48
72.00	72.11	10.00	S	224470★	35	2.374	2.378	.375	S	*471288	47
2.835	2.839	.394	-	-	-	2.374	2.378	.375	N	*471288N	47
74.00	74.20	11.00	S	710525★	#	2.374	2.378	.375	S	*481288	48
2.913	2.921	.433	-	-	-	2.374	2.378	.437	S	*472246	47
80.00	80.12	8.00	S	710115★↔	98	2.374	2.378	.437	S	*482246	48
3.150	3.154	.315	-	-	-	2.374	2.378	.484	S	710062	#
90.00	90.10	9.00	N	710283★	#	2.374	2.378	.500	S	*410929	41
3.543	3.547	.354	-	-	-	2.374	2.378	.500	S	*450929	45
92.00	92.28	12.50	S	710208★	#	2.374	2.378	.500	S	*470929	47
3.622	3.633	.492	-	-	-	2.374	2.378	.500	S	*480929	48
1.734" SHAFT						2.374	2.379	.250	S	204503	204
-	-	-	S	800450	VRS1	2.374	2.381	.437	S	7486S	35
-	-	-	S	800451	VRS2	2.411	2.415	.380	N	*451169N	45
-	-	-	V	800454	VRS1	2.411	2.415	.380	S	471169	47
-	-	-	V	800455	VRS2	2.411	2.415	.380	N	*471169N	47
2.400	2.405	.230	S	8705S	277	2.412	2.416	.468	S	*481243	48
2.726	2.730	.500	L	5836	201	2.436	2.441	.300	S	*4771S↔	#
2.835	2.839	.312	S	*484103	48	2.437	2.441	.250	S	43071S	4S
1.739" SHAFT						2.437	2.441	.312	S	471504	47
-	-	-	S	800450	VRS1	2.437	2.441	.312	V	471504V	47
-	-	-	S	800451	VRS2	2.437	2.441	.312	S	*481504	48
-	-	-	V	800454	VRS1	2.437	2.441	.312	H	*481504H	48
-	-	-	V	800455	VRS2	2.437	2.441	.375	S	*471122	47
-	-	.375		99170	Redi-Sleeve	2.437	2.441	.375	S	*481122	48
2.812	2.816	.594	S	*9844&	#	2.437	2.441	.375	U	710013	#
2.812	3.270	.593	N	8460N&	74	2.437	2.441	.468	S	*450351	45
3.000	3.008	.500	S	6818	71	2.437	2.441	.468	N	*450351N	45
1.748" SHAFT						2.437	2.441	.468	S	470351	47
-	-	-	S	800450	VRS1	2.437	2.441	.468	S	*480351	48
-	-	-	S	800451	VRS2	2.437	2.441	.468	H	*480351H	48
-	-	-	V	800454	VRS1	2.437	2.441	.500	S	*452418	45
-	-	-	V	800455	VRS2	2.440	2.445	.468	S	*203007	203
-	-	.375		99172	Redi-Sleeve	2.440	2.445	.468	S	*204007	204
-	-	.531		* 99180	Redi-Sleeve	2.441	2.445	.375	S	471831	47
-	-	.563		99174	Redi-Sleeve	2.441	2.445	.375	H	*471831H	47
-	-	.750		99175	Redi-Sleeve	2.441	2.445	.375	N	*471831N	47
2.619	2.627	.330	N	4950	88	2.441	2.445	.375	V	*471831V	47
2.623	2.627	.330	N	3227→	83	2.449	2.453	.312	S	473157	47
3.229	3.238	.335	H	3583→	83	2.497	2.501	.500	S	*483565	48
						2.500	2.504	.375	S	*483503	48
						2.500	2.504	.484	S	710389	7S
						2.500	2.508	.375	T	354040	35
						2.502	2.506	.250	S	40494S	4S
						2.502	2.506	.250	S	*50352	5S
						2.502	2.506	.312	N	*452164N	45
						2.502	2.506	.312	S	472164	47
						2.502	2.506	.312	A	472164A	47
						2.502	2.506	.312	V	472164V	47
						2.502	2.506	.312	S	*482164	48
						2.502	2.506	.312	N	482164N	48

SIZE SECTION

For Illustration and Material Data See Technical Section
 # Designed For A Specific Application - Not Recommended For General Use → Hydrodynamic Lip Design-CW ← Hydrodynamic Lip Design-CCW
 ↔ Hydrodynamic Lip Design-Bidirectional & Flanged O.D. * Call 1-800-480-1212 For Price and Delivery ★ Metric Seal

Size Section

NATIONAL®



Hsg. Bore	Seal O.D.	Seal Width	Lip Mat'l	Part No.	Type/ Illus.	Hsg. Bore	Seal O.D.	Seal Width	Lip Mat'l	Part No.	Type/ Illus.
1.750" (1-3/4") SHAFT (cont.)						1.750" (1-3/4") SHAFT (cont.)					
2.502	2.506	.375	S	450494	45	2.750	2.754	.500	S	*410183	41
2.502	2.506	.375	S	*470494	47	2.750	2.754	.500	N	410183N	41
2.502	2.506	.375	N	*470494N	47	2.750	2.754	.500	S	450183	45
2.502	2.506	.375	S	*480494	48	2.750	2.754	.500	N	*450183N	45
2.502	2.506	.375	N	*480494N	48	2.750	2.754	.500	V	*450183V	45
2.502	2.506	.406	H	451147H	45	2.750	2.754	.500	S	*470183	47
2.502	2.506	.406	N	*451147N	45	2.750	2.754	.500	N	*470183N	47
2.502	2.506	.500	S	*410352	41	2.750	2.754	.500	S	*480183	48
2.502	2.506	.500	S	450352	45	2.750	2.754	.500	H	*480183H	48
2.502	2.506	.500	H	*450352H	45	2.758	2.762	.375	S	473447	47
2.502	2.506	.500	N	*450352N	45	2.758	2.762	.500	S	*410155	41
2.502	2.506	.500	S	*470352	47	2.758	2.762	.500	S	*450155	45
2.502	2.506	.500	H	*470352H	47	2.758	2.762	.500	S	*470155	47
2.502	2.506	.500	S	*480352	48	2.758	2.762	.500	S	*480155	48
2.502	2.506	.680	L	7834	#	2.783	2.787	.531	L	50289	5L
2.502	2.506	.750	S	*7731	2S	2.786	2.876	.285	S	200600%	200E
2.561	2.565	.250	S	204502	204	2.810	2.814	.315	S	712260	47
2.561	2.565	.500	V	470361V	47	2.875	2.879	.375	V	471141V	47
2.561	2.565	.500	S	*410361	41	2.875	2.879	.375	S	471141	47
2.561	2.565	.500	S	450361	45	2.875	2.879	.468	S	*410291	41
2.561	2.565	.500	S	470361	47	2.875	2.879	.468	N	*410291N	41
2.561	2.565	.500	S	*480361	48	2.875	2.879	.468	S	450291	45
2.561	2.566	.312	S	472193	47	2.875	2.879	.468	N	450291N	45
2.561	2.566	.500	S	*204015	204	2.875	2.879	.468	V	*450291V	45
2.562	2.566	.500	S	203015	203	2.875	2.879	.468	S	*470291	47
2.562	2.566	.500	F	205015	205	2.875	2.879	.468	S	*480291	48
2.565	2.570	.312	S	473796	47	2.875	2.879	.500	S	*481067	48
2.566	2.574	.311	S	324941	32	2.875	2.880	.500	S	6949S	274
2.621	2.625	.937	V	710428	87	2.983	2.987	.438	S	5711	41
2.623	2.627	.250	S	*43092S	4S	2.996	3.001	.375	S	473448	47
2.623	2.627	.290	S	200335	200	2.996	3.001	.437	S	*411983	41
2.623	2.627	.312	V	472185V	47	2.996	3.001	.500	S	*410359	41
2.623	2.627	.312	S	472185	47	2.996	3.001	.500	S	*450359	45
2.623	2.627	.312	S	*482185	48	2.996	3.001	.500	S	*470359	47
2.623	2.627	.375	S	*481019	48	2.996	3.001	.500	S	*480359	48
2.623	2.627	.500	S	*50070	5S	3.000	3.005	.250	S	204501	204
2.623	2.627	.500	F	*290070	29	3.000	3.005	.375	S	471984	47
2.623	2.627	.500	S	*410070	41	3.000	3.005	.375	N	*471984N	47
2.623	2.627	.500	N	*410070N	41	3.000	3.005	.375	S	*481984	48
2.623	2.627	.500	S	450070	45	3.000	3.005	.375	N	*481984N	48
2.623	2.627	.500	H	*450070H	45	3.000	3.005	.500	S	*410719	41
2.623	2.627	.500	N	*450070N	45	3.000	3.005	.500	S	*450719	45
2.623	2.627	.500	V	*450070V	45	3.000	3.005	.500	H	*450719H	45
2.623	2.627	.500	S	*470070	47	3.000	3.005	.500	S	*470719	47
2.623	2.627	.500	S	*480070	48	3.000	3.005	.500	H	*470719H	47
2.623	2.627	.500	N	*480070N	48	3.000	3.005	.500	S	*480719	48
2.624	2.628	.250	S	*443389	44	3.036	3.040	.500	S	*4302↔	47
2.630	2.930	.290	S	200912%	200E	3.061	3.066	.375	S	473313	47
2.686	2.690	.375	S	470334	47	3.061	3.066	.500	S	*410087	41
2.686	2.690	.437	S	*451879	45	3.061	3.066	.500	S	450087	45
2.686	2.690	.500	S	*410076	41	3.061	3.066	.500	S	*470087	47
2.686	2.690	.500	S	450076	45	3.061	3.066	.500	S	*480087	48
2.686	2.690	.500	N	*450076N	45	3.062	3.066	.485	S	710005	86
2.686	2.690	.500	V	*450076V	45	3.125	3.130	.500	S	*451350	45
2.686	2.690	.500	S	*470076	47	3.149	3.154	.291	S	*200303	200
2.686	2.690	.500	S	*480076	48	3.153	3.159	.312	S	482267	48
2.686	2.690	.500	N	*480076N	48	3.189	3.193	.400	N	*9158	47
2.715	2.721	.437	S	323119	32	3.189	3.194	.437	S	*410088	41
2.716	2.721	.359	S	204038	204	3.189	3.194	.437	N	*410088N	41
2.716	2.721	.406	S	204002	204	3.189	3.194	.437	S	*450088	45
2.717	2.721	.406	S	203002	203	3.189	3.194	.437	S	470088	47
2.717	2.721	.468	S	*411030	41	3.189	3.194	.437	S	*480088	48
2.717	2.721	.468	S	*451030	45	3.371	3.376	.625	S	210945	21
2.718	2.722	.359	S	200354	200	3.543	3.548	.500	S	455536	45
2.718	2.728	.294	S	200854%	200E	3.937	3.942	.312	S	476820	47
2.750	2.754	.250	S	*40183S	4S	1.751" SHAFT					
2.750	2.754	.312	V	472179V	47	2.533	2.608	.290	S	*200895%	200E
2.750	2.754	.312	S	472179	47						
2.750	2.754	.312	A	472179A	47						
2.750	2.754	.312	S	*482179	48						
2.750	2.754	.484	L	5827	201						
2.750	2.754	.500	S	*50183	5S						

For Illustration and Material Data See Technical Section

Designed For A Specific Application - Not Recommended For General Use ↔ Hydrodynamic Lip Design-Bidirectional % External Bore

* Call 1-800-480-1212 For Price and Delivery

Size Section

NATIONAL®



Hsg. Bore	Seal O.D.	Seal Width	Lip Mat'l	Part No.	Type/ Illus.
45,00mm (1.772") SHAFT (cont.)					
64,00	64,27	12,00	S	239155★	#
2,520	2,530	.472			
64,00	64,26	13,00	S	1939★	#
2,520	2,530	.512			
64,00	64,25	19,00	S	1938★	#
2,520	2,530	.748			
64,75	65,00	7,00	S	*45X65X7★	32
2,549	2,559	.276			
64,75	65,00	9,00	S	*45X65X9★	32
2,549	2,559	.354			
64,75	65,00	10,00	S	*45X65X10★	32
2,549	2,559	.394			
64,75	65,00	12,00	S	*45X65X12★	32
2,549	2,559	.472			
65,00	65,10	5,00	S	1992★	47
2,559	2,563	.197			
65,00	65,10	5,00	S	*3985★	#
2,559	2,563	.197			
65,00	65,20	8,00	V	*45X65X8V★	35
2,559	2,567	.315			
65,00	65,28	8,00	S	45X65X8★	32
2,559	2,570	.315			
65,00	65,28	8,00	S	224550★	35
2,559	2,570	.315			
65,75	66,00	10,00	S	*45X66X10★	32
2,588	2,598	.394			
66,00	66,24	7,50	S	710160★	#
2,598	2,608	.295			
67,00	67,20	8,00	S	710289★➔	32
2,638	2,646	.315			
67,75	68,00	8,00	S	*45X68X8★	32
2,667	2,677	.315			
67,75	68,00	9,00	S	*45X68X9★	32
2,667	2,677	.354			
67,75	68,00	10,00	S	*45X68X10★	32
2,667	2,677	.394			
67,75	68,00	12,00	S	*45X68X12★	32
2,667	2,677	.472			
68,00	68,20	10,00	V	*45X68X10V★	35
2,677	2,685	.394			
68,00	68,20	12,00	S	710345★➔	32
2,677	2,685	.472			
68,00	68,28	7,00	S	45X68X7★	32
2,677	2,688	.276			
68,00	68,28	7,00	S	224560★	32
2,677	2,688	.276			
68,00	68,28	7,00	V	320564★	32
2,677	2,688	.276			
68,05	68,30	7,00	S	*45X68.3X7★	32
2,679	2,689	.276			
69,75	70,00	12,00	S	*45X70X12★	32
2,746	2,756	.472			
70,00	70,18	10,00	S	45X70X10★	32
2,756	2,763	.394			
71,75	72,00	8,00	S	*45X72X8★	32
2,825	2,835	.315			
72,00	72,20	8,00	V	*45X72X8V★	32
2,835	2,843	.315			
72,00	72,20	10,00	S	45X72X10★	35
2,835	2,843	.394			
72,00	72,20	12,00	N	710270★	32
2,835	2,843	.472			
72,00	72,25	10,00	S	45X72X95★	32
2,835	2,844	.394			
72,00	72,28	7,00	S	45X72X7★	35
2,835	2,846	.276			
72,00	72,28	12,00	S	45X72X12★	35
2,835	2,846	.472			
72,00	72,28	12,00	S	224570★	35
2,835	2,846	.472			
72,20	72,34	7,50	S	1943★	44
2,843	2,848	.295			

Hsg. Bore	Seal O.D.	Seal Width	Lip Mat'l	Part No.	Type/ Illus.
45,00mm (1.772") SHAFT (cont.)					
72,20	72,34	7,50	S	*444118★	44
2,843	2,848	.295			
74,25	74,50	12,00	S	*45X74.5X12★	32
2,923	2,933	.472			
74,75	75,00	8,00	S	*45X75X8★	32
2,943	2,953	.315			
74,75	75,00	10,00	S	*45X75X10★	32
2,943	2,953	.394			
74,75	75,00	12,00	S	*45X75X12★	32
2,943	2,953	.472			
75,00	75,10	12,00	N	1979★➔	47
2,953	2,957	.472			
75,00	75,20	7,00	S	45X75X7★	32
2,953	2,961	.276			
75,00	75,20	10,00	V	*45X75X10V★	32
2,953	2,961	.394			
77,72	78,00	12,00	S	*45X78X12★	32
3,060	3,071	.472			
78,00	78,10	11,00	N	710248★➔	66
3,071	3,075	.433			
79,72	80,00	12,00	S	*45X80X12★	32
3,139	3,150	.472			
80,00	80,28	10,00	S	45X80X10★	32
3,150	3,161	.394			
81,72	82,00	12,00	S	*45X82X12★	32
3,217	3,228	.472			
82,00	82,20	8,00	S	*45X82X8★	32
3,228	3,236	.315			
84,72	85,00	12,00	S	*45X85X12★	32
3,335	3,346	.472			
85,00	85,20	10,00	S	45X85X10★	35
3,346	3,354	.394			
85,00	85,25	13,00	S	45X85X13★	45
3,346	3,356	.512			
89,72	90,00	10,00	S	*45X90X10★	32
3,532	3,543	.394			
98,00	98,10	10,50	N	710364★	#
3,858	3,862	.413			
99,72	100,00	10,00	S	*45X100X10★	32
3,926	3,937	.394			

1.775" SHAFT

-	-	-	S	800450	VRS1
-	-	-	S	800451	VRS2
-	-	-	V	800454	VRS1
-	-	-	V	800455	VRS2
-	-	.551	99177		Redi-Sleeve
-	1.970	.365	S	710095	#

1.781" (1-25/32") SHAFT

-	-	-	S	800450	VRS1
-	-	-	S	800451	VRS2
-	-	-	V	800454	VRS1
-	-	-	V	800455	VRS2
-	-	.675	99179		Redi-Sleeve
2.251	2.259	.375	S	321460	32
2.500	2.505	.312	T	39925➔	FW-H
2.502	2.506	.312	S	452742	45
2.623	2.627	.500	L	50266	5L
2.686	2.690	.500	S	450269	45
2.686	2.690	.500	S	*480269	48
2.750	2.754	.500	S	450285	45
2.758	2.762	.500	S	450280	45
3.189	3.194	.437	S	450089	45
3.189	3.194	.437	S	*480089	48

1.787" SHAFT

-	-	-	S	800450	VRS1
---	---	---	---	--------	------

For Illustration and Material Data See Technical Section

Designed For A Specific Application - Not Recommended For General Use ➔ Hydrodynamic Lip Design-CW * Call 1-800-480-1212 For Price and Delivery ★ Metric Seal

Hsg. Bore	Seal O.D.	Seal Width	Lip Mat'l	Part No.	Type/Illus.	Hsg. Bore	Seal O.D.	Seal Width	Lip Mat'l	Part No.	Type/Illus.
1.787" SHAFT (cont.)						46,00mm (1.811") SHAFT (cont.)					
-	-	-	S	800451	VRS2	68,00	68,20	8,00	S	*46X68X8★	32
-	-	-	V	800454	VRS1	2.677	2.685	.315			
-	-	-	V	800455	VRS2	68,50	68,70	7,50	S	710161★	#
3.228	3.238	.335	N	4918	83	2.697	2.705	.295			
3.229	3.238	.335	N	4072➔	83	69,40	69,60	10,00	S	710128★	#
						2.732	2.740	.394			
						69,40	69,60	11,00	S	710126★	#
						2.732	2.740	.433			
						70,00	70,10	8,00	S	710238★➔	32
						2.756	2.760	.315			
						70,00	70,20	8,00	S	46X70X8★	32
						2.756	2.764	.315			
						61,00	61,20	8,00	S	710260★◄	32
						2.756	2.764	.315			
						72,00	72,20	8,00	S	*46X72X8★	32
						2.835	2.843	.315			
						73,00	73,20	8,00	S	*46X73X8★	32
						2.874	2.882	.315			
						94,50	94,70	8,00	S	710377★	#
						3.720	3.728	.315			
1.790" SHAFT						1.812" (1-13/16") SHAFT					
.000	2.488	.275	V	710521	32	-	-	-	S	800450	VRS1
1.796" SHAFT						-	-	-	S	800451	VRS2
-	-	-	S	800450	VRS1	-	-	-	V	800454	VRS1
-	-	-	S	800451	VRS2	-	-	-	V	800455	VRS2
-	-	-	V	800454	VRS1	-	-	-			
-	-	-	V	800455	VRS2	-	-	-			
2.524	2.800	.599	S	8314	#	-	-	-			
2.725	2.730	.500	L	6781	201	-	-	.563		99181	Redi-Sleeve
1.803" SHAFT						2.250	2.258	.312	S	*6402S	35
-	-	-	S	800450	VRS1	2.327	2.332	.437	S	444116	44
-	-	-	S	800451	VRS2	2.437	2.441	.468	\$	451817	45
-	-	-	V	800454	VRS1	2.437	2.441	.468	S	471817	47
-	-	-	V	800455	VRS2	2.561	2.565	.437	S	*452872	45
2.965	2.969	.250	F	5070	29	2.561	2.566	.437	S	*203071	203
1.809" SHAFT						2.561	2.566	.500	S	203006	203
-	-	-	S	800450	VRS1	2.561	2.566	.500	F	*205006	205
-	-	-	S	800451	VRS2	2.562	2.566	.312	V	5133	48
-	-	-	V	800454	VRS1	2.562	2.567	.315	T	39930➔	FW-H
-	-	-	V	800455	VRS2	2.563	2.567	.375	T	39835➔	W
-	-	.563		99181	Redi-Sleeve	2.623	2.627	.375	\$	472070	47
2.361	2.365	.380	S	4249&	287	2.623	2.627	.455	S	8181NA➔	74
46,00mm (1.811") SHAFT						2.623	2.627	.455	S	*9540➔	#
-	-	-	S	800450	VRS1	2.623	2.627	.500	S	*450267	45
-	-	-	S	800451	VRS2	2.623	2.627	.500	N	*450267N	45
-	-	-	V	800454	VRS1	2.623	2.627	.500	S	*470267	47
-	-	-	V	800455	VRS2	2.623	2.627	.500	V	*470267V	47
-	-	.563		99181	Redi-Sleeve	2.623	2.627	.500	S	*480267	48
53,75	54,00	9,00	S	*46X54X9★	32	2.623	2.627	.500	N	*480267N	48
2.116	2.126	.354				2.623	2.627	.615	S	3618➔	86
57,75	58,00	7,00	S	*46X58X7★	32	2.624	2.629	.500	S	*482695N	48
2.273	2.283	.276				2.686	2.690	.375	\$	471866	47
58,00	58,28	7,00	N	224650★➔	32	2.686	2.690	.375	N	*471866N	47
2.283	2.294	.276				2.686	2.690	.437	S	*451508	45
58,85	59,10	12,00	S	*46X59.1X12★	32	2.686	2.690	.500	S	*450270	45
2.317	2.327	.472				2.686	2.690	.500	S	*480270	48
59,00	59,20	8,00	S	*46X59X8★	32	2.718	2.722	.270	S	7186S	200
2.323	2.331	.315				2.718	2.727	.400	S	*200169	200
59,75	60,00	7,00	S	*46X60X7★	32	2.750	2.754	.375	\$	473449	47
2.352	2.362	.276				2.750	2.754	.500	S	450118	45
59,75	60,00	10,00	S	*46X60X10★	32	2.750	2.754	.500	S	*480118	48
2.352	2.362	.394				2.758	2.762	.500	S	*450281	45
60,00	60,20	8,00	S	*46X60X8★	32	2.758	2.762	.500	S	480281	48
2.362	2.370	.315				2.777	2.783	.416	S	*9190N&	47
60,00	60,28	7,00	H	224660★➔	32	2.777	2.783	.575	V	3604➔	86
2.362	2.373	.276				2.874	2.878	.290	S	*200334	200
62,00	62,10	8,00	S	224662★	35	2.875	2.879	.375	\$	473450	47
2.441	2.445	.315				2.875	2.879	.375	V	473450V	47
62,00	62,20	8,00	S	*46X62X8★	32	2.875	2.879	.468	S	450116	45
2.441	2.449	.315				2.875	2.879	.468	S	*480116	48
62,00	62,20	20,50	S	710394★	#	2.996	3.001	.500	S	*450193	45
2.441	2.449	.807				2.996	3.001	.500	S	*480193	48
63,00	63,40	7,70	N	224663★➔	35	3.000	3.005	.455	S	*3700➔	86
2.480	2.496	.303									
65,00	65,20	7,00	S	46X65X7★	32						
2.559	2.567	.276									

SIZE SECTION

For Illustration and Material Data See Technical Section
 # Designed For A Specific Application - Not Recommended For General Use ➔ Hydrodynamic Lip Design-CW ◄ Hydrodynamic Lip Design-CCW & Flanged O.D.
 * Call 1-800-480-1212 For Price and Delivery ★ Metric Seal

Size Section

NATIONAL®

Hsg. Bore	Seal O.D.	Seal Width	Lip Mat'l	Part No.	Type/ Illus.
1.812" (1-13/16") SHAFT (cont.)					
3.000	3.005	.455	S	7044NA➔	86
3.091	3.096	.485	V	4278&	86
3.125	3.130	.375	S	481992	48
3.125	3.130	.500	S	*451993	45
3.189	3.194	.437	S	*410090	41
3.189	3.194	.437	S	450090	45
3.189	3.194	.437	S	*470090	47
3.189	3.194	.437	S	*480090	48
4.123	4.128	.746	L	6930	21
1.813" SHAFT					
2.408	-	.300	S	710409%	#
1.815" SHAFT					
-	-	-	S	800450	VRS1
-	-	-	S	800451	VRS2
-	-	-	V	800454	VRS1
-	-	-	V	800455	VRS2
-	-	.563		99181	Redi-Sleeve
2.562	2.566	.562	S	2207	290
1.821" SHAFT					
-	-	-	S	800450	VRS1
-	-	-	S	800451	VRS2
-	-	-	V	800454	VRS1
-	-	-	V	800455	VRS2
2.623	2.627	.250	S	44053	4S
1.825" SHAFT					
-	-	-	S	800450	VRS1
-	-	-	S	800451	VRS2
-	-	-	V	800454	VRS1
-	-	-	V	800455	VRS2
2.750	2.754	.468	S	7600S	47
1.830" SHAFT					
-	-	-	S	800450	VRS1
-	-	-	S	800451	VRS2
-	-	-	V	800454	VRS1
-	-	-	V	800455	VRS2
2.570	2.574	.250	L	6960	4L
2.570	2.574	.250	S	*8473S	29
46,50mm (1.831") SHAFT					
-	-	-	S	800450	VRS1
-	-	-	S	800451	VRS2
-	-	-	V	800454	VRS1
-	-	-	V	800455	VRS2
90,00	90,20	12,00	N	710397★	#
3.543	3.551	.472			
1.843" (1-27/32") SHAFT					
-	-	-	S	800450	VRS1
-	-	-	S	800451	VRS2
-	-	-	V	800454	VRS1
-	-	-	V	800455	VRS2
2.400	2.404	.235	F	291295	29
2.502	2.506	.375	S	471841	47
2.502	2.506	.500	S	*450783	45
2.502	2.506	.500	S	*470783	47
2.623	2.627	.250	S	*40268S	4S
2.623	2.627	.375	S	473451	47
2.623	2.627	.500	S	*450268	45
2.623	2.627	.500	N	*450268N	45
2.623	2.627	.500	S	*480268	48
2.623	2.627	.500	N	*480268N	48

Hsg. Bore	Seal O.D.	Seal Width	Lip Mat'l	Part No.	Type/ Illus.
1.843" (1-27/32") SHAFT (cont.)					
2.672	2.676	.187	N	*8250	#
2.748	2.751	.425	V	714675◀➔	#
2.750	2.754	.375	S	473452	47
2.750	2.754	.500	S	*450331	45
2.750	2.754	.500	N	*450331N	45
2.750	2.754	.500	N	470331N	47
2.750	2.754	.500	N	*480331N	48
2.875	2.879	.375	S	473453	47
2.875	2.879	.468	S	*450293	45
47,00mm (1.850") SHAFT					
-	-	-	S	800450	VRS1
-	-	-	S	800451	VRS2
-	-	-	V	800454	VRS1
-	-	-	V	800455	VRS2
0,00	61,98	10,29	S	710501★	#
.000	2.440	.405			
56,75	57,00	7,00	S	*47X57X7★	32
2.234	2.244	.276			
59,75	60,00	7,00	S	*47X60X7★	32
2.352	2.362	.276			
60,00	60,20	8,00	S	*47X60X8★	32
2.362	2.370	.315			
61,75	62,00	6,00	S	*47X62X6★	32
2.431	2.441	.236			
62,00	62,10	9,00	S	710320★	48
2.441	2.445	.354			
62,00	62,20	8,00	S	47X62X8★	32
2.441	2.449	.315			
64,00	64,08	7,00	S	710191★	25
2.520	2.523	.276			
64,00	64,28	14,00	S	1937★	#
2.520	2.531	.551			
64,75	65,00	10,00	S	*47X65X10★	32
2.549	2.559	.394			
65,00	65,20	8,00	S	47X65X8★	32
2.559	2.567	.315			
66,00	66,10	11,00	S	710215★	66
2.598	2.602	.433			
68,00	68,27	10,00	S	47X68X10★	32
2.677	2.688	.394			
68,00	68,27	10,00	S	1187★	32
2.677	2.688	.394			
69,00	69,14	10,10	N	3606★◀➔	7S
2.717	2.722	.398			
70,00	70,20	10,00	S	47X70X10★	32
2.756	2.764	.394			
72,00	72,23	8,00	S	224772★	48
2.835	2.844	.315			
72,20	72,40	6,00	S	710337★	34
2.843	2.850	.236			
80,00	80,20	12,70	S	710150★	#
3.150	3.157	.500			
84,00	84,20	11,00	S	710143★	#
3.307	3.315	.433			
1.869" SHAFT					
-	-	-	S	800450	VRS1
-	-	-	S	800451	VRS2
-	-	-	V	800454	VRS1
-	-	-	V	800455	VRS2
-	-	.889		99186	Redi-Sleeve
2.518	2.522	.375	S	332062➔	33
2.518	2.522	.437	S	*2102	#
2.781	2.789	.354	S	1959	32
3.744	3.749	.500	N	*456053N	45
1.873" SHAFT					
-	-	-	S	800450	VRS1

For Illustration and Material Data See Technical Section

Designed For A Specific Application - Not Recommended For General Use ➔ Hydrodynamic Lip Design-CW ◀➔ Hydrodynamic Lip Design-Bidirectional % External Bore & Flanged O.D. * Call 1-800-480-1212 For Price and Delivery ★ Metric Seal

Hsg. Bore	Seal O.D.	Seal Width	Lip Mat'l	Part No.	Type/Illus.	Hsg. Bore	Seal O.D.	Seal Width	Lip Mat'l	Part No.	Type/Illus.				
1.873" SHAFT (cont.)						1.875" (1-7/8") SHAFT (cont.)									
-	-	-	S	800451	VRS2	2.623	2.627	.500	S	*470071	47				
-	-	-	V	800454	VRS1	2.623	2.627	.500	H	*470071H	47				
-	-	-	V	800455	VRS2	2.623	2.627	.500	S	*480071	48				
-	-	.175		99190	Redi-Sleeve	2.623	2.627	.500	V	*480071V	48				
-	-	.295		*99188	Redi-Sleeve	2.624	2.628	.375	H	331227H➔	33				
-	-	.375		*99184	Redi-Sleeve	2.625	2.629	.500	S	*452774	45				
-	-	.563		99187	Redi-Sleeve	2.625	2.640	.433	T	712102➔	FW-H				
2.684	2.684	.544	S	8521S%	200E	2.628	2.633	.347	F	6985	29				
2.716	2.806	.281	S	200752%	200E	2.677	2.681	.375	N	710211➔	74				
2.878	3.250	.875	S	*8632S	#	68.00	68.30	14.00	N	712516★➔	#				
1.874" SHAFT						1.875" (1-7/8") SHAFT (cont.)									
2.559	2.569	.335	V	712692	#	2.677	2.689	.551		2.686	2.690	.375	S	471868	47
2.676	2.682	.410	N	4577	#	2.686	2.690	.500	S	*410272	41				
3.159	3.163	.500	V	100712V	#	2.686	2.690	.500	S	*450272	45				
3.159	3.163	.500	V	100715V	#	2.686	2.690	.500	S	*470272	47				
1.875" (1-7/8") SHAFT						2.686	2.690	.500	S	*480272	48				
-	-	-	S	800450	VRS1	2.687	2.762	.280	S	*200958%	200E				
-	-	-	S	800451	VRS2	2.716	2.725	.394	S	710388➔	32				
-	-	-	V	800454	VRS1	2.718	2.722	.468	F	*6110	29				
-	-	-	V	800455	VRS2	2.720	2.725	.235	F	*7107A	29				
-	-	.175		99190	Redi-Sleeve	2.750	2.754	.250	S	42421S	4S				
-	-	.295		*99188	Redi-Sleeve	2.750	2.754	.312	S	*412572	41				
-	-	.375		*99184	Redi-Sleeve	2.750	2.754	.312	S	472572	47				
-	-	.563		99187	Redi-Sleeve	2.750	2.754	.312	S	*482572	48				
2.315	2.321	.203	S	8362	33	2.750	2.754	.500	S	3946➔	86				
2.397	2.403	.250	S	353120	35	2.750	2.754	.500	S	*410117	41				
2.400	2.405	.240	S	*7679	44	2.750	2.754	.500	H	*410117H	41				
2.400	2.405	.240	S	7934S	204	2.750	2.754	.500	N	*410117N	41				
2.441	2.445	.325	S	1949	48	2.750	2.754	.500	S	450117	45				
2.441	2.445	.325	S	*483801	48	2.750	2.754	.500	S	*470117	47				
2.470	2.475	.437	S	472747	47	2.750	2.754	.500	H	*470117H	47				
2.500	2.504	.437	N	*451162N	45	2.750	2.754	.500	N	*470117N	47				
2.502	2.506	.312	S	473454	47	2.750	2.754	.500	S	*480117	48				
2.502	2.506	.328	S	350823	35	2.750	2.754	.500	S	*473179	47				
2.502	2.506	.375	S	*452041	45	2.758	2.762	.425	V	*3028V➔	25				
2.502	2.506	.375	S	472041	47	2.758	2.762	.425	N	6712NA➔	74				
2.502	2.506	.375	N	*472041N	47	2.758	2.762	.437	S	*450654	45				
2.502	2.506	.375	S	*482041	48	2.758	2.762	.437	N	*450654N	45				
2.502	2.506	.375	N	482041N	48	2.758	2.762	.500	S	6460S	41				
2.502	2.506	.406	S	*451447	45	2.758	2.762	.500	S	*410283	41				
2.502	2.506	.500	S	*450823	45	2.758	2.762	.500	S	*450283	45				
2.502	2.506	.500	S	*480823	48	2.758	2.762	.500	H	*450283H	45				
2.502	2.511	.250	S	340823	34	2.758	2.762	.500	S	*470283	47				
2.560	2.565	.406	N	2942➔	47	2.758	2.762	.500	H	*470283H	47				
2.560	2.565	.406	N	*7782N	48	2.758	2.762	.500	N	*470283N	47				
2.560	2.565	.468	S	*484247	48	2.758	2.762	.500	H	*480283	48				
2.561	2.565	.500	S	441853	44	2.758	2.762	.500	H	*480283H	48				
2.561	2.565	.500	S	*451853	45	2.782	2.786	.500	S	414045	41				
2.561	2.565	.500	S	*471853	47	2.803	2.808	.433	S	*4310	285				
2.561	2.565	.528	N	2692➔	76	2.812	2.816	.770	N	8515N&	74				
2.561	2.571	.312	S	350936	35	2.812	3.000	.500	L	*7215	5L				
2.561	2.571	.312	N	*350936N	35	2.813	2.817	.500	S	5126&	74				
2.622	2.628	.380	H	*9927H➔	33	2.835	2.839	.375	S	473455	47				
2.623	2.627	.250	S	40071S	4S	2.835	2.839	.468	S	*411463	41				
2.623	2.627	.312	S	472439	47	2.835	2.839	.468	S	*451463	45				
2.623	2.627	.312	A	472439A	47	2.835	2.839	.468	S	*471463	47				
2.623	2.627	.312	V	472439V	47	2.835	2.839	.468	S	*481463	48				
2.623	2.627	.312	S	*482439	48	2.873	2.877	.394	S	*2826	#				
2.623	2.627	.500	S	*410071	41	2.875	2.879	.312	V	473238V	47				
2.623	2.627	.500	N	*410071N	41	2.875	2.879	.312	S	473238	47				
2.623	2.627	.500	S	*450071	45	2.875	2.879	.312	S	*483238	48				
2.623	2.627	.500	H	*450071H	45	2.875	2.879	.312	V	483238V	48				
2.623	2.627	.500	N	*450071N	45	2.875	2.879	.437	S	*411936	41				
2.623	2.627	.500	H	*450071H	45	2.875	2.879	.437	N	*411936N	41				
2.623	2.627	.500	N	*450071N	45	2.875	2.879	.437	S	*451936	45				
2.623	2.627	.500	H	*450071H	45	2.875	2.879	.437	H	*451936H	45				
2.623	2.627	.500	N	*450071N	45	2.875	2.879	.437	V	*451936V	45				
2.623	2.627	.500	V	*450071V	45	2.875	2.879	.437	S	*471936	47				
						2.875	2.879	.437	S	*481936	48				
						2.875	2.879	.468	S	*410082	41				
						2.875	2.879	.468	H	*410082H	41				
						2.875	2.879	.468	S	450082	45				

SIZE SECTION

For Illustration and Material Data See Technical Section
 # Designed For A Specific Application - Not Recommended For General Use ➔ Hydrodynamic Lip Design-CW ◀➔ Hydrodynamic Lip Design-Bidirectional % External Bore
 & Flanged O.D. * Call 1-800-480-1212 For Price and Delivery ★ Metric Seal

Size Section

NATIONAL®



Hsg. Bore	Seal O.D.	Seal Width	Lip Mat'l	Part No.	Type/ Illus.
1.875" (1-7/8") SHAFT (cont.)					
2.875	2.879	.468	N	*450082N	45
2.875	2.879	.468	S	*470082	47
2.875	2.879	.468	S	*480082	48
2.875	2.879	.500	S	*3329	#
2.875	2.879	.500	S	*450779	45
2.875	2.886	.625	U	710019	#
2.877	2.865	.470	S	9912¶	25
2.877	2.865	.490	S	*2689¶	56
2.877	2.865	.490	S	2689S	25
2.901	2.907	.315	S	*4051	#
2.965	2.969	.250	F	6064	29
2.995	3.000	.375	F	*5970	29
2.995	3.000	.437	S	203034	203
2.996	3.000	.375	S	*473456	47
2.996	3.001	.375	L	6547	201
2.996	3.001	.500	S	*410084	41
2.996	3.001	.500	S	*450084	45
2.996	3.001	.500	S	*470084	47
2.996	3.001	.500	S	*480084	48
2.998	3.002	.375	F	*290944	29
3.000	3.005	.312	S	*473239	47
3.000	3.005	.312	S	*483239	48
3.000	3.005	.375	S	*451139	45
3.000	3.005	.375	S	*471139	47
3.000	3.005	.375	S	*481139	48
3.000	3.005	.375	H	*481139H	48
3.000	3.005	.500	S	*410298	41
3.000	3.005	.500	N	*410298N	41
3.000	3.005	.500	S	450298	45
3.000	3.005	.500	S	*470298	47
3.000	3.005	.500	S	*480298	48
3.000	3.005	.625	H	8165	#
3.061	3.066	.375	S	*473457	47
3.061	3.066	.500	S	*410304	41
3.061	3.066	.500	S	*450304	45
3.061	3.066	.500	H	*450304H	45
3.061	3.066	.500	S	*470304	47
3.061	3.066	.500	S	*480304	48
3.105	3.110	.500	L	7216&	47
3.125	3.130	.312	S	*473240	47
3.125	3.130	.312	S	*483240	48
3.125	3.130	.375	S	*472005	47
3.125	3.130	.375	S	*482005	48
3.125	3.130	.500	S	*410720	41
3.125	3.130	.500	S	*450720	45
3.125	3.130	.500	S	*470720	47
3.125	3.130	.500	S	*480720	48
3.149	3.154	.359	S	*204047	204
3.150	3.146	.930	S	3186¶	59
3.150	3.146	.930	S	3195¶	59
3.150	3.155	.250	S	715100	#
3.160	3.165	.530	V	710452	72
3.160	3.165	.530	S	*4431	72
3.160	3.165	.530	N	*4431N	72
3.160	3.165	.530	V	*4431V	72
3.160	3.165	.562	N	6808N	45
3.160	3.165	.695	N	9316	72
3.160	3.165	.720	V	719316	72
3.161	3.165	.695	V	100675	72
3.189	3.194	.375	S	*473458	47
3.189	3.194	.437	S	*410092	41
3.189	3.194	.437	S	*450092	45
3.189	3.194	.437	S	*470092	47
3.189	3.194	.437	S	*480092	48
3.251	3.256	.437	S	*412022	41
3.251	3.256	.500	S	*411078	41
3.251	3.256	.500	S	*451078	45
3.251	3.256	.500	S	*471078	47
3.251	3.256	.500	S	*481078	48
3.350	3.355	.468	S	*452023	45
3.371	3.376	.468	S	*410524	41
3.371	3.376	.468	S	*450524	45

Hsg. Bore	Seal O.D.	Seal Width	Lip Mat'l	Part No.	Type/ Illus.
1.875" (1-7/8") SHAFT (cont.)					
3.371	3.376	.468	S	*470524	47
3.371	3.376	.468	S	*480524	48
3.375	4.812	.312	S	7105S	#
3.500	3.505	.500	S	*477609	47
4.010	4.014	1.000	L	6127	31
4.331	4.336	.500	S	477105	47
1.880" SHAFT					
-	-	-	S	800450	VRS1
-	-	-	S	800451	VRS2
-	-	-	V	800454	VRS1
-	-	-	V	800455	VRS2
2.398	2.414	.250	S	*6910S	35
2.562	2.566	.250	S	9049	25
2.562	2.566	.250	S	9049N	25
3.169	3.176	.480	V	100086	#
1.886" SHAFT					
-	-	-	S	800450	VRS1
-	-	-	S	800451	VRS2
-	-	-	V	800454	VRS1
-	-	-	V	800455	VRS2
2.699	2.704	.350	N	4333N◄	79
2.750	2.765	1.375	N	4503N◄	79
2.756	2.756	.823	N	714503	#
48,00mm (1.890") SHAFT					
-	-	-	S	800450	VRS1
-	-	-	S	800451	VRS2
-	-	-	V	800454	VRS1
-	-	-	V	800455	VRS2
-	-	-	S	800500	VRS1
-	-	-	V	800504	VRS1
-	-	-	V	800505	VRS2
-	-	.551		99189	Redi-Sleeve
57,75	58,00	4,00	S	*48X58X4★	32
2.273	2.283	.157			
58,00	58,20	8,00	S	*48X58X8★	32
2.283	2.291	.315			
58,75	59,00	6,00	S	*48X59X6★	32
2.313	2.323	.236			
59,75	60,00	8,00	S	*48X60X8★	32
2.352	2.362	.315			
59,75	60,00	10,00	S	*48X60X10★	32
2.352	2.362	.394			
60,00	60,20	9,00	S	710356★➔	32
2.362	2.370	.354			
61,75	62,00	7,00	S	*48X62X7★	32
2.431	2.441	.276			
61,75	62,00	9,00	S	*48X62X9★	32
2.431	2.441	.354			
61,75	62,00	10,00	S	*48X62X10★	32
2.431	2.441	.394			
61,75	62,00	12,00	S	*48X62X12★	32
2.431	2.441	.472			
62,00	62,10	8,00	S	48X62X8★	35
2.441	2.445	.315			
62,00	62,10	8,00	S	224820★	32
2.441	2.445	.315			
62,00	62,10	24,00	S	1956★	#
2.441	2.445	.945			
62,00	62,20	6,00	S	710322★	34
2.441	2.449	.236			
62,00	62,20	8,00	V	*48X62X8V★	35
2.441	2.449	.315			
62,00	62,20	8,00	S	*320832★	32
2.441	2.449	.315			
62,00	62,25	6,00	S	1188★	34
2.441	2.451	.236			

For Illustration and Material Data See Technical Section

Designed For A Specific Application - Not Recommended For General Use ➔ Hydrodynamic Lip Design-CW ◄ Hydrodynamic Lip Design-CCW & Flanged O.D.

¶ Expandable O.D. * Call 1-800-480-1212 For Price and Delivery ★ Metric Seal

Hsg. Bore	Seal O.D.	Seal Width	Lip Mat'l	Part No.	Type/Illus.	Hsg. Bore	Seal O.D.	Seal Width	Lip Mat'l	Part No.	Type/Illus.
48,00mm (1.890") SHAFT (cont.)						48,00mm (1.890") SHAFT (cont.)					
62,00	62,28	8,00	N	224810★	32	72,00	72,20	8,00	V	*48X72X8V★	35
2,441	2,452	.315				2,835	2,843	.315			
63,00	63,09	9,00	S	48X63X9★	47	72,00	72,28	10,00	S	224850★	32
2,480	2,484	.354				2,835	2,846	.394			
63,00	63,09	9,00	S	1969★	47	72,00	72,31	7,00	S	48X72X7★	32
2,480	2,484	.354				2,835	2,847	.276			
64,00	64,20	14,00	S	710167★	#	72,00	72,31	7,00	S	1208★	32
2,520	2,528	.551				2,835	2,847	.276			
64,75	65,00	7,00	S	*48X65X7★	32	72,00	72,35	8,50	S	224872★	32
2,549	2,559	.276				2,835	2,848	.335			
64,75	65,00	9,00	S	*48X65X9★	32	72,25	72,50	10,00	S	*48X72.5X10★	32
2,549	2,559	.354				2,844	2,854	.394			
64,75	65,00	12,00	S	*48X65X12★	32	73,00	73,10	7,00	S	224870★	47
2,549	2,559	.472				2,874	2,878	.276			
65,00	65,10	7,00	S	*493759★	49	73,75	74,00	10,00	S	*48X74X10★	32
2,559	2,563	.276				2,903	2,913	.394			
65,00	65,15	24,50	N	4528N★◀	66	73,75	74,00	12,00	S	*48X74X12★	32
2,559	2,565	.965				2,903	2,913	.472			
65,00	65,20	10,00	V	*48X65X10V★	32	74,00	74,23	10,00	S	224874★	32
2,559	2,567	.394				2,913	2,922	.394			
65,00	65,20	10,00	S	224865★	32	74,00	74,30	10,00	N	224815★	40
2,559	2,567	.394				2,913	2,925	.394			
65,00	65,30	8,00	S	1973★	25	74,75	75,00	12,00	S	*48X75X12★	32
2,559	2,571	.315				2,943	2,953	.472			
65,00	65,30	10,00	S	48X65X10★	32	75,00	75,20	10,00	S	48X75X10★	32
2,559	2,571	.394				2,953	2,961	.394			
65,00	65,30	10,00	V	716484★	32	78,00	78,20	8,00	S	*48X78X8★	32
2,559	2,571	.394				3,071	3,079	.315			
65,07	65,20	12,70	S	*2820★	#	79,72	80,00	10,00	S	*48X80X10★	32
2,562	2,567	.500				3,139	3,150	.394			
66,75	67,00	11,00	S	*48X67X11★	32	80,00	80,20	8,00	S	48X80X8★	32
2,628	2,638	.433				3,150	3,157	.315			
67,75	68,00	8,00	S	*48X68X8★	32	81,72	82,00	10,00	S	*48X82X10★	32
2,667	2,677	.315				3,217	3,228	.394			
68,00	68,27	10,00	N	48X68X10★	32	82,00	82,20	8,00	S	*48X82X8★	32
2,677	2,688	.394				3,228	3,236	.315			
68,00	68,27	10,00	N	224835★	32	84,72	85,00	10,00	S	*48X85X10★	32
2,677	2,688	.394				3,335	3,346	.394			
68,00	68,30	11,00	S	224840★➡	32	85,00	85,20	8,00	S	*48X85X8★	32
2,677	2,689	.433				3,346	3,354	.315			
68,58	68,68	14,78	S	9449★◀	74	88,00	88,20	8,00	S	*48X88X8★	32
2,700	2,704	.582				3,465	3,472	.315			
69,75	70,00	7,00	S	*48X70X7★	32	89,72	90,00	13,00	S	*48X90X13★	32
2,746	2,756	.276				3,532	3,543	.512			
69,75	70,00	10,00	S	*48X70X10★	32	90,00	90,20	10,00	S	48X90X10★	35
2,746	2,756	.394				3,543	3,551	.394			
69,75	70,00	12,00	S	*48X70X12★	32	108,50	108,70	13,00	S	710296★	#
2,746	2,756	.472				4,272	4,280	.512			
70,00	70,20	8,00	S	48X70X8★	35	1.893" SHAFT					
2,756	2,764	.315				-	-	-	S	800500	VRS1
70,00	70,20	9,00	S	710255★	#	-	-	-	V	800504	VRS1
2,756	2,764	.354				-	-	-	V	800505	VRS2
70,00	70,20	12,00	S	710313★➡	32	-	-	.551	99189	Redi-Sleeve	
2,756	2,764	.472				2,434	2,438	.250	S	8704S	33
70,00	70,25	9,00	H	712010★➡	32	1.906" (1-29/32") SHAFT					
2,756	2,766	.354				-	-	-	S	800500	VRS1
70,00	70,28	9,00	S	48X70X9★	35	-	-	-	V	800504	VRS1
2,756	2,767	.394				-	-	-	V	800505	VRS2
70,25	70,50	10,00	S	*48X70.5X10★	32	3,189	3,194	.406	N	*8084N	45
2,766	2,776	.394				1.910" SHAFT					
71,37	0,00	17,78	N	710453★	#	-	-	-	S	800500	VRS1
2,810	.000	.700				-	-	-	V	800504	VRS1
71,75	72,00	8,00	S	*48X72X8★	32	-	-	-	V	800505	VRS2
2,825	2,835	.315				-	-	.375	*99192	Redi-Sleeve	
71,75	72,00	9,00	S	*48X72X9★	32	2,760	2,760	.070	S	*8669	#
2,825	2,835	.354				1.910" SHAFT					
71,75	72,00	10,00	S	*48X72X10★	32	-	-	-	S	800500	VRS1
2,825	2,835	.394				-	-	-	V	800504	VRS1
71,75	72,00	12,00	S	*48X72X12★	32	-	-	-	V	800505	VRS2
2,825	2,835	.472				1.910" SHAFT					
71,75	72,00	12,00	S	*48X72X12★	32	2,760	2,760	.070	S	*8669	#
2,825	2,835	.472				1.910" SHAFT					

SIZE SECTION

For Illustration and Material Data See Technical Section
 # Designed For A Specific Application - Not Recommended For General Use ➡ Hydrodynamic Lip Design-CW ◀ Hydrodynamic Lip Design-CCW
 * Call 1-800-480-1212 For Price and Delivery ★ Metric Seal

Size Section

NATIONAL®



Hsg. Bore	Seal O.D.	Seal Width	Lip Mat'l	Part No.	Type/ Illus.
1.915" SHAFT					
-	-	-	S	800500	VRS1
-	-	-	V	800504	VRS1
-	-	-	V	800505	VRS2
-	-	.375		* 99192	Redi-Sleeve
2.532	2.548	.250	S	* 7020	#
2.533	2.537	.250	S	* 6971S	33
49,00mm (1.929") SHAFT					
-	-	-	S	800500	VRS1
-	-	-	V	800504	VRS1
-	-	-	V	800505	VRS2
61,75	62,00	6,00	S	* 49X62X6★	32
2.431	2.441	.236			
62,00	62,15	8,00	S	4904★	66
2.441	2.447	.315			
64,00	64,28	12,50	S	1936★	#
2.520	2.531	.492			
65,10	65,20	8,00	T	39877★↔	WW
2.563	2.567	.315			
70,00	70,10	12,50	S	710305★&	#
2.756	2.760	.492			
72,20	72,50	8,00	S	710148★	97
2.843	2.854	.315			
75,75	76,00	15,00	S	* 49X76X15★	32
2.982	2.992	.591			
79,00	79,10	17,50	N	224979★→	47
3.110	3.114	.689			
100,00	100,20	8,00	S	710374★	#
3.937	3.945	.315			
1.937" (1-15/16") SHAFT					
-	-	-	S	800500	VRS1
-	-	-	V	800504	VRS1
-	-	-	V	800505	VRS2
-	-	.563		99193	Redi-Sleeve
2.412	2.416	.468	S	470409	47
2.437	2.441	.250	S	474269	47
2.500	2.510	.374	V	* 320510V	32
2.502	2.506	.375	S	* 451195	45
2.502	2.506	.375	V	* 451195V	45
2.502	2.506	.375	S	471195	47
2.502	2.506	.375	S	481195	48
2.502	2.506	.375	N	* 481195N	48
2.561	2.565	.500	S	* 411854	41
2.561	2.565	.500	S	471854	47
2.562	2.566	.317	S	710058	48
2.562	2.566	.437	S	* 204079	204
2.562	2.567	.317	S	* 480550	48
2.578	2.830	.292	S	9150S	25
2.623	2.627	.312	S	472319	47
2.623	2.627	.312	V	* 472319V	47
2.623	2.627	.312	S	* 482319	48
2.623	2.627	.500	S	* 450455	45
2.623	2.627	.500	S	* 470455	47
2.623	2.627	.500	S	* 480455	48
2.625	2.629	.375	S	* 481166	48
2.686	2.690	.304	N	3173	48
2.686	2.690	.312	H	483459H	48
2.686	2.690	.312	S	473459	47
2.686	2.690	.375	S	471869	47
2.686	2.690	.375	N	* 471869N	47
2.686	2.690	.500	H	6988H	33
2.686	2.690	.500	S	* 331882	33
2.686	2.690	.500	S	* 410138	41
2.686	2.690	.500	S	* 450138	45
2.686	2.690	.500	V	470138V→	47
2.686	2.690	.500	S	* 480138	48
2.686	2.690	.500	H	* 480138H	48
2.713	2.717	.468	S	* 450655	45

Hsg. Bore	Seal O.D.	Seal Width	Lip Mat'l	Part No.	Type/ Illus.
1.937" (1-15/16") SHAFT (cont.)					
2.750	2.754	.312	S	473241	47
2.750	2.754	.312	S	* 483241	48
2.750	2.754	.313	V	710162	48
2.750	2.754	.500	S	* 411937	41
2.750	2.754	.500	S	* 451937	45
2.750	2.754	.500	H	* 451937H	45
2.758	2.762	.500	S	450279	45
2.824	2.828	.500	N	* 451117N	45
2.875	2.879	.290	S	* 200396	200
2.875	2.879	.312	S	472144	47
2.875	2.879	.312	S	* 482144	48
2.875	2.879	.437	S	* 411940	41
2.875	2.879	.437	S	* 471940	47
2.875	2.879	.468	S	* 410295	41
2.875	2.879	.468	N	* 410295N	41
2.875	2.879	.468	S	* 450295	45
2.875	2.879	.468	S	* 480295	48
2.875	2.879	.687	S	210295	21
2.996	3.001	.375	S	473460	47
2.996	3.001	.437	S	* 452006	45
2.996	3.001	.500	S	* 450145	45
2.996	3.001	.500	S	* 480145	48
3.000	3.005	.312	S	472394	47
3.000	3.005	.312	S	* 482394	48
3.000	3.005	.500	S	* 410300	41
3.000	3.005	.500	S	* 450300	45
3.000	3.005	.500	S	* 470300	47
3.000	3.005	.500	S	* 480300	48
3.061	3.066	.375	S	473461	47
3.061	3.066	.500	S	* 450306	45
3.061	3.066	.500	S	* 480306	48
3.125	3.130	.375	S	471391	47
3.125	3.130	.500	S	* 410309	41
3.125	3.130	.500	S	* 450309	45
3.125	3.130	.500	S	* 470309	47
3.125	3.130	.500	S	* 480309	48
3.155	3.160	.250	S	* 40526S	4S
3.189	3.194	.250	S	40094S	4S
3.189	3.194	.375	S	473462	47
3.189	3.194	.437	S	* 410094	41
3.189	3.194	.437	S	450094	45
3.189	3.194	.437	N	450094N	45
3.189	3.194	.437	S	470094	47
3.189	3.194	.437	S	* 480094	48
3.350	3.355	.468	S	* 410965	41
3.350	3.355	.468	S	450965	45
3.381	3.376	.667	S	* 8398	39
3.500	3.505	.250	S	45653S	4S
3.543	3.548	.375	S	417474	41
3.543	3.548	.500	S	* 415130	41
3.543	3.548	.500	S	* 455130	45
3.622	3.627	.375	F	6074	29
3.623	3.628	.468	S	476509	47
3.751	3.756	.500	S	456057	45
3.930	3.935	.320	S	710081	#
1.938" SHAFT					
2.680	.000	.500	N	710928	#
1.940" SHAFT					
-	-	-	S	800500	VRS1
-	-	-	V	800504	VRS1
-	-	-	V	800505	VRS2
-	-	.563		99193	Redi-Sleeve
2.500	2.505	.250	S	* 3447&	286
2.500	2.505	.250	S	6815&	286
2.622	2.626	.580	S	5121	281
2.762	2.766	.500	S	2043	47
2.812	2.816	.400	S	* 3513	#
2.813	2.817	.428	S	8622&	#

For Illustration and Material Data See Technical Section

Designed For A Specific Application - Not Recommended For General Use → Hydrodynamic Lip Design-CW ↔ Hydrodynamic Lip Design-Bidirectional & Flanged O.D.

* Call 1-800-480-1212 For Price and Delivery ★ Metric Seal

Hsg. Bore	Seal O.D.	Seal Width	Lip Mat'l	Part No.	Type/Illus.	Hsg. Bore	Seal O.D.	Seal Width	Lip Mat'l	Part No.	Type/Illus.
1.940" SHAFT (cont.)						50,00mm (1.969") SHAFT (cont.)					
2.900	2.910	.400	S	710281	74	63,75	64,00	10,00	S	*50X64X10★	32
2.909	2.914	.520	S	3896➔	76	2.510	2.520	.394			
1.945" SHAFT						64,00	64,10	6,50	S	1971★	47
-	-	-	S	800500	VRS1	2.520	2.524	.256			
-	-	-	V	800504	VRS1	64,10	64,19	6,50	S	710098★	71
-	-	-	V	800505	VRS2	2.524	2.527	.256			
2.891	2.895	.290	S	200371	200	64,75	65,00	9,00	S	*50X65X9★	32
1.956" SHAFT						2.549	2.559	.354			
-	-	-	S	800500	VRS1	64,75	65,00	10,00	S	*50X65X10★	32
-	-	-	V	800504	VRS1	64,75	65,00	.394			
-	-	-	V	800505	VRS2	65,00	65,10	14,00	S	3743★	66
2.963	2.968	.250	S	*41081S	4S	2.559	2.563	.551			
1.961" SHAFT						65,00	65,28	8,00	S	225010★	47
-	-	-	S	800500	VRS1	2.559	2.565	.315			
-	-	-	V	800504	VRS1	65,00	65,15	8,00	S	*470856★	47
-	-	-	V	800505	VRS2	2.559	2.565	.315			
3.543	3.548	.375	S	*477410	47	65,00	65,20	8,00	V	*50X65X8V★	32
1.968" SHAFT						2.559	2.567	.315			
-	-	-	S	800500	VRS1	65,00	65,20	8,00	V	*50X65X8V★	32
-	-	-	V	800504	VRS1	2.559	2.567	.315			
-	-	-	V	800505	VRS2	2.559	2.570	.315			
-	-	.551		99196	Redi-Sleeve	65,00	65,33	8,50	S	1209★	35
2.623	2.627	.312	S	473814	47	2.559	2.572	.335			
2.686	2.690	.370	H	7751H	33	65,30	65,53	8,00	S	710226★	32
2.686	2.690	.500	S	450472	45	2.571	2.580	.315			
2.742	2.746	.500	S	450911	45	65,30	65,60	8,00	S	710529★	#
2.742	2.746	.500	N	450911N	45	2.571	2.583	.315			
2.875	2.879	.468	S	450474	45	65,75	66,00	6,00	S	*50X66X6★	32
2.960	2.964	.250	S	40370S	4S	2.588	2.598	.236			
2.996	3.001	.500	L	50528	5L	66,00	66,22	8,00	V	*473810V★	47
3.350	3.355	.468	S	450111	45	2.598	2.607	.315			
3.371	3.376	.468	S	*450497	45	66,50	0,00	15,50	S	229522★	40
4.003	4.008	.437	V	*477673V	47	2.618	.000	.610			
50,00mm (1.969") SHAFT						66,50	66,62	9,52	S	474134★	47
-	-	-	S	800500	VRS1	2.618	2.628	.375			
-	-	-	V	800504	VRS1	66,75	67,00	9,00	S	*50X67X9★	32
-	-	-	V	800505	VRS2	2.628	2.638	.354			
-	-	.551		99196	Redi-Sleeve	66,75	67,00	10,00	S	*50X67X10★	32
59,75	60,00	8,00	S	*50X60X8★	32	2.628	2.638	.394			
2.352	2.362	.315				67,00	67,27	11,00	S	1974★	97
59,75	60,00	10,00	S	*50X60X10★	32	2.638	2.648	.433			
2.352	2.362	.394				67,75	68,00	7,00	S	*50X68X7★	32
60,00	60,25	6,00	S	710192★	32	2.667	2.677	.276			
2.362	2.372	.236				67,75	68,00	9,00	S	*50X68X9★	32
61,75	62,00	9,00	S	*50X62X9★	32	2.667	2.677	.354			
2.431	2.441	.354				67,75	68,00	10,00	S	*50X68X10★	32
61,75	62,00	10,00	S	*50X62X10★	32	2.667	2.677	.394			
2.431	2.441	.394				68,00	68,15	8,00	V	*483738V★	48
62,00	62,08	6,00	S	*331356★	33	2.677	2.683	.315			
2.441	2.444	.236				68,00	68,20	8,00	V	*50X68X8V★	32
62,00	62,10	9,00	S	225008★	47	2.677	2.685	.315			
2.441	2.445	.354				68,00	68,20	9,00	S	710420★★➔	32
62,00	62,28	7,00	S	50X62X7★	32	2.677	2.685	.354			
2.441	2.452	.276				68,00	68,27	7,00	S	710194★	32
62,00	62,28	7,00	S	225005★	32	2.677	2.688	.276			
2.441	2.452	.276				68,00	68,28	8,00	S	50X68X8★	35
62,75	63,00	8,00	S	*50X63X8★	32	2.677	2.688	.315			
2.470	2.480	.315				68,00	68,28	8,00	S	1948★	35
63,75	64,00	8,00	S	*50X64X8★	32	2.677	2.688	.315			
2.510	2.520	.315				68,00	68,28	8,00	S	*353676★	35
63,75	64,00	9,00	S	*50X64X9★	32	2.677	2.688	.315			
2.510	2.520	.354				68,00	68,28	9,00	V	225020★★➔	32
						2.677	2.688	.354			
						69,75	70,00	10,00	S	*50X70X10★	32
						2.746	2.756	.394			
						69,75	70,00	12,00	S	*50X70X12★	32
						2.746	2.756	.472			
						69,75	70,00	13,00	S	*50X70X13★	32
						2.746	2.756	.512			

SIZE SECTION

For Illustration and Material Data See Technical Section
 # Designed For A Specific Application - Not Recommended For General Use ➔ Hydrodynamic Lip Design-CW * Call 1-800-480-1212 For Price and Delivery ★ Metric Seal

Size Section

NATIONAL®



Hsg. Bore	Seal O.D.	Seal Width	Lip Mat'l	Part No.	Type/ Illus.	Hsg. Bore	Seal O.D.	Seal Width	Lip Mat'l	Part No.	Type/ Illus.
50,00mm (1.969") SHAFT (cont.)						50,00mm (1.969") SHAFT (cont.)					
70,00	70,10	7,00	S	413818★	41	80,00	80,28	8,00	S	50X80X8★	32
2.756	2.760	.276				3.150	3.161	.315			
70,00	70,10	9,00	S	*470824★	47	80,00	80,30	16,00	N	710112★↔	#
2.756	2.760	.354				3.150	3.161	.630			
70,00	70,10	11,00	H	*481371H★	48	80,72	81,00	12,00	S	*50X81X12★	32
2.756	2.760	.433				3.178	3.189	.472			
70,00	70,20	8,00	S	50X70X8★	32	81,72	82,00	12,00	S	*50X82X12★	32
2.756	2.764	.315				3.217	3.228	.472			
70,00	70,20	9,00	S	50X70X9★	32	82,00	82,18	11,50	S	225082★	#
2.756	2.764	.354				3.228	3.235	.453			
70,00	70,20	10,00	V	*50X70X10V★	35	84,72	85,00	10,00	S	*50X85X10★	32
2.756	2.764	.394				3.335	3.346	.394			
70,00	70,20	10,00	N	710173★	#	84,72	85,00	12,00	S	*50X85X12★	32
2.756	2.764	.394				3.335	3.346	.472			
70,00	70,20	14,00	S	710135★	#	85,00	85,20	8,00	S	50X85X8★	32
2.756	2.764	.551				3.346	3.354	.315			
70,00	70,23	9,00	S	1960★	47	86,00	86,30	13,00	N	710117★	#
2.756	2.765	.354				3.386	3.398	.512			
70,00	70,30	9,50	S	*1189★	32	88,00	88,20	8,00	S	*50X88X8★	32
2.756	2.768	.374				3.465	3.472	.315			
71,75	72,00	7,00	S	*50X72X7★	32	89,72	90,00	13,00	S	*50X90X13★	32
2.825	2.835	.276				3.532	3.543	.512			
71,75	72,00	9,00	S	*50X72X9★	32	90,00	90,20	8,00	S	50X90X8★	32
2.825	2.835	.354				3.543	3.551	.315			
71,75	72,00	10,00	S	*50X72X10★	32	90,00	90,20	10,00	V	*50X90X10V★	35
2.825	2.835	.394				3.543	3.551	.394			
71,75	72,00	12,00	S	*50X72X12★	32	90,00	90,28	10,00	S	50X90X10★	35
2.825	2.835	.472				3.543	3.554	.394			
72,00	72,20	8,00	V	*50X72X8V★	32	94,00	94,28	24,00	S	710071★	#
2.835	2.843	.315				3.701	3.712	.945			
72,00	72,20	10,00	S	710398★	#	99,72	100,00	10,00	S	*50X100X10★	32
2.835	2.843	.394				3.926	3.937	.394			
72,00	72,28	8,00	S	225030★	35	110,00	110,13	9,50	S	476512★	47
2.835	2.846	.315				4.331	4.336	.374			
72,00	72,28	8,00	S	50X72X8★	32	1.991" SHAFT					
2.835	2.846	.315				2.900	2.975	.290	S	200885%	200E
72,00	72,35	10,00	S	225035★	32	1.996" SHAFT					
2.835	2.848	.394				-	-	-	S	800500	VRS1
72,00	72,35	12,00	S	225040★↔	32	-	-	-	V	800504	VRS1
2.835	2.848	.472				-	-	-	V	800505	VRS2
72,75	73,00	9,00	S	*50X73X9★	32	2.000	2.878	.250	S	8998%	44
2.864	2.874	.354				2.743	2.751	.325	H	3404↔	75
74,00	74,20	9,00	S	710137★	#	2.996	3.001	.812	S	*392077	#
2.913	2.921	.354				3.111	3.120	.344	H	4189H&	75
74,75	75,00	10,00	S	*50X75X10★	32	2.000" SHAFT					
2.943	2.953	.394				-	-	-	S	800500	VRS1
75,00	75,10	9,00	S	710437★	47	-	-	-	V	800504	VRS1
2.953	2.957	.354				-	-	-	V	800505	VRS2
75,00	75,20	7,00	S	50X75X7★	32	-	-	.563	99199	Redi-Sleeve	
2.953	2.961	.276				-	-	.875	99200	Redi-Sleeve	
75,00	75,20	8,00	S	*50X75X8★	32	-	4.562	.562	F	*6469	#
2.953	2.961	.315				2.500	-	.250	U	710025	#
75,00	75,28	12,00	S	50X75X12★	32	2.500	-	.375	U	710040	#
2.953	2.964	.472				2.500	2.504	.437	H	452261H	45
75,75	76,00	12,00	S	*50X76X12★	32	2.501	2.506	.250	L	40401	4L
2.982	2.992	.472				2.502	2.506	.500	L	*50401	5L
77,50	77,70	9,00	S	1941★	47	2.502	2.508	.250	S	352541	35
3.051	3.071	.354				2.561	2.565	.250	S	4739	282
77,72	78,00	12,00	S	*50X78X12★	32	2.561	2.565	.549	S	9015S	44
3.060	3.071	.472				2.561	2.566	.220	S	*3633	#
78,00	78,20	8,00	S	*50X78X8★	32	2.562	2.566	.220	S	8871&	286
3.071	3.079	.315				2.562	2.566	.225	S	*4195	#
79,72	80,00	10,00	S	*50X80X10★	32	2.562	2.566	.500	F	*205058	205
3.139	3.150	.394				2.562	2.566	.528	N	331301N	33
79,72	80,00	12,00	S	*50X80X12★	32	2.623	2.626	.580	S	*2834	#
3.139	3.150	.472									
79,72	80,00	13,00	S	*50X80X13★	32						
3.139	3.150	.512									
80,00	80,20	8,00	V	*50X80X8V★	32						
3.150	3.157	.315									
80,00	80,28	8,00	S	225050★	35						
3.150	3.161	.315									

For Illustration and Material Data See Technical Section

Designed For A Specific Application - Not Recommended For General Use ↗ Hydrodynamic Lip Design-CW ↔ Hydrodynamic Lip Design-Bidirectional % External Bore & Flanged O.D. * Call 1-800-480-1212 For Price and Delivery ★ Metric Seal

Hsg. Bore	Seal O.D.	Seal Width	Lip Mat'l	Part No.	Type/Illus.	Hsg. Bore	Seal O.D.	Seal Width	Lip Mat'l	Part No.	Type/Illus.
2.000" SHAFT (cont.)						2.000" SHAFT (cont.)					
2.623	2.627	.225	S	*41424S	4S	2.835	2.839	.375	S	472653	47
2.623	2.627	.250	S	40410S	4S	2.835	2.839	.375	V	472653V	47
2.623	2.627	.250	S	*492702	49	2.835	2.839	.468	S	*411943	41
2.623	2.627	.256	V	710263➔	47	2.835	2.839	.468	S	*451943	45
2.623	2.627	.280	S	4148&	286	2.835	2.839	.468	S	*471943	47
2.623	2.627	.312	S	471424	47	2.846	2.850	.375	S	493524	49
2.623	2.627	.312	A	471424A	47	2.875	2.879	.250	S	*42999S	4S
2.623	2.627	.312	V	471424V	47	2.875	2.879	.290	S	200339	200
2.623	2.627	.312	S	*481424	48	2.875	2.879	.312	V	472924V	47
2.623	2.627	.312	H	*481424H	48	2.875	2.879	.312	S	472924	47
2.623	2.627	.375	S	*472331	47	2.875	2.879	.312	S	*482924	48
2.623	2.627	.500	S	*410410	41	2.875	2.879	.437	S	*411944	41
2.623	2.627	.500	S	*450410	45	2.875	2.879	.437	S	*451944	45
2.623	2.627	.500	N	*450410N	45	2.875	2.879	.437	H	*451944H	45
2.623	2.627	.500	S	*470410	47	2.875	2.879	.437	S	*471944	47
2.623	2.627	.500	S	*480410	48	2.875	2.879	.437	S	*481944	48
2.623	2.627	.500	N	*480410N	48	2.875	2.879	.468	S	*410083	41
2.623	2.627	.635	S	*5125&	#	2.875	2.879	.468	N	*410083N	41
2.625	2.629	.250	S	*440905	44	2.875	2.879	.468	S	450083	45
2.625	2.629	.285	S	9406S	279	2.875	2.879	.468	S	*480083	48
2.625	2.630	.375	H	*472857H	47	2.875	2.879	.500	S	*410966	41
2.630	2.750	.562	S	6090S	273	2.875	2.879	.500	S	*450966	45
2.635	2.639	.235	F	292594	29	2.875	2.879	.508	H	*8836H	37
2.651	4.562	.562	F	*6465B++	#	2.875	2.879	.703	S	6163S	21
2.686	2.690	.250	S	40360S	4S	2.878	2.882	.340	N	4598➔	83
2.686	2.690	.375	S	471870	47	2.880	2.884	.375	N	472082	47
2.686	2.690	.375	S	*482485	48	2.880	2.884	.375	N	*472082N	47
2.686	2.690	.437	S	*411883	41	2.880	2.884	.500	N	*411429N	41
2.686	2.690	.437	H	*411883H	41	2.961	2.971	.250	F	8139	#
2.686	2.690	.437	S	*451883	45	2.964	2.968	.500	F	205044	205
2.686	2.690	.437	H	*451883H	45	2.995	3.003	.438	N	*4654N➔	#
2.686	2.690	.437	S	471883	47	2.996	3.001	.250	S	40085S	4S
2.686	2.690	.500	S	*410360	41	2.996	3.001	.250	S	*43085S	4S
2.686	2.690	.500	S	*450360	45	2.996	3.001	.375	V	470530V	47
2.686	2.690	.500	H	*450360H	45	2.996	3.001	.375	S	*410530	41
2.686	2.690	.500	S	*470360	47	2.996	3.001	.375	N	*410530N	41
2.686	2.690	.500	S	*480360	48	2.996	3.001	.375	S	470530	47
2.687	2.690	.375	U	710017	#	2.996	3.001	.437	S	*412008	41
2.713	2.717	.468	S	450446	45	2.996	3.001	.437	S	*452008	45
2.716	2.720	.468	S	*410543	41	2.996	3.001	.437	S	*472008	47
2.716	2.720	.468	S	*450543	45	2.996	3.001	.500	S	410085	41
2.716	2.720	.468	H	*450543H	45	2.996	3.001	.500	H	*410085H	41
2.716	2.720	.468	V	450543V	45	2.996	3.001	.500	N	410085N	41
2.716	2.720	.468	S	470543	47	2.996	3.001	.500	V	*410085V	41
2.716	2.720	.593	S	*10543S	1S	2.996	3.001	.500	S	450085	45
2.716	2.721	.375	S	474272	47	2.996	3.001	.500	N	*450085N	45
2.717	2.721	.250	S	43073S	4S	2.996	3.001	.500	V	*450085V	45
2.720	-	.210	S	710365%	#	2.996	3.001	.500	S	*470085	47
2.742	2.746	.375	S	472341	47	2.996	3.001	.500	H	*470085H	47
2.742	2.746	.375	N	*472341N	47	2.996	3.001	.500	N	*470085N	47
2.745	2.749	.230	S	*4403	#	2.996	3.001	.500	S	*480085	48
2.745	2.749	.230	S	5113	203	2.996	3.003	.438	N	714654➔	47
2.746	2.750	.375	S	*331107	33	3.000	3.005	.250	S	40301S	4S
2.746	2.750	.375	H	*331107H	33	3.000	3.005	.312	V	472397V	47
2.746	2.750	.375	H	331107N	33	3.000	3.005	.312	S	472397	47
2.750	2.754	.187	L	5865	4L	3.000	3.005	.312	S	*482397	48
2.750	2.754	.250	S	40389S	4S	3.000	3.005	.375	S	*452009	45
2.750	2.754	.312	V	472492V	47	3.000	3.005	.375	S	*472009	47
2.750	2.754	.312	V	472492	47	3.000	3.005	.375	N	*472009N	47
2.750	2.754	.312	A	472492A	47	3.000	3.005	.375	S	*482009	48
2.750	2.754	.312	N	*472492N	47	3.000	3.005	.500	S	*410301	41
2.750	2.754	.312	S	*482492	48	3.000	3.005	.500	V	*410301V	41
2.750	2.754	.325	N	710447	47	3.000	3.005	.500	S	450301	45
2.750	2.754	.375	S	*480436	48	3.000	3.005	.500	H	*450301H	45
2.750	2.754	.500	S	*410389	41	3.000	3.005	.500	N	*450301N	45
2.750	2.754	.500	N	*410389N	41	3.000	3.005	.500	S	*470301	47
2.750	2.754	.500	S	450389	45	3.000	3.005	.500	S	*480301	48
2.750	2.754	.500	H	*450389H	45	3.000	3.005	.500	H	*480301H	48
2.750	2.754	.500	S	*470389	47	3.062	3.066	.250	S	204508	204
2.750	2.754	.500	N	*470389N	47	3.062	3.066	.375	S	473463	47
2.750	2.754	.500	S	*480389	48	3.062	3.066	.500	S	*411091	41
2.804	2.824	.294	S	200881%	200E	3.062	3.066	.500	S	*451091	45

SIZE SECTION

For Illustration and Material Data See Technical Section
 # Designed For A Specific Application - Not Recommended For General Use ➔ Hydrodynamic Lip Design-CW ◀ Hydrodynamic Lip Design-CCW ++ Not Sold Separately
 % External Bore & Flanged O.D. * Call 1-800-480-1212 For Price and Delivery

Hsg. Bore	Seal O.D.	Seal Width	Lip Mat'l	Part No.	Type/Illus.
2.000" SHAFT (cont.)					
3.062	3.066	.500	S	*471091	47
3.062	3.066	.500	N	*471091N	47
3.062	3.066	.500	S	*481091	48
3.062	3.066	.500	H	*481091H	48
3.125	3.130	.312	S	*473242	47
3.125	3.130	.312	V	*473242V	47
3.125	3.130	.312	S	*483242	48
3.125	3.130	.375	S	*472010	47
3.125	3.130	.375	S	*482010	48
3.125	3.130	.500	S	*410310	41
3.125	3.130	.500	H	*410310H	41
3.125	3.130	.500	S	*450310	45
3.125	3.130	.500	N	*450310N	45
3.125	3.130	.500	S	*470310	47
3.125	3.130	.500	S	*480310	48
3.148	3.153	.250	S	*43670	4S
3.150	3.155	.375	S	*412725	41
3.150	3.155	.500	S	*51265S	5S
3.155	3.160	.500	F	*293280	29
3.189	3.194	.375	S	*473464	47
3.189	3.194	.437	S	*410095	41
3.189	3.194	.437	S	450095	45
3.189	3.194	.437	N	*450095N	45
3.189	3.194	.437	S	*470095	47
3.189	3.194	.437	S	*480095	48
3.251	3.256	.437	S	*412027	41
3.251	3.256	.500	S	*410571	41
3.251	3.256	.500	S	*450571	45
3.251	3.256	.500	S	*480571	48
3.264	3.269	.250	S	441148	44
3.264	3.269	.312	F	*291148	29
3.350	3.355	.468	S	*412028	41
3.370	-	1.020	S	710007	#
3.371	3.376	.468	S	*410102	41
3.371	3.376	.468	N	*410102N	41
3.371	3.376	.468	S	*450102	45
3.371	3.376	.468	H	*450102H	45
3.371	3.376	.468	N	*470102N	47
3.371	3.376	.468	S	*480102	48
3.500	3.505	.500	S	*415627	41
3.543	3.548	.500	S	*455253	45
3.623	3.628	.250	S	204506	204
3.623	3.628	.375	S	487945	48
3.623	3.628	.500	S	*457097	45
4.003	4.008	.468	L	55524	5L
2.005" SHAFT					
-	-	-	S	800500	VRS1
-	-	-	V	800504	VRS1
-	-	-	V	800505	VRS2
2.878	2.888	.340	V	320259➔	32
51,00mm (2.008") SHAFT					
-	-	-	S	800500	VRS1
-	-	-	V	800504	VRS1
-	-	-	V	800505	VRS2
62.00	62.10	7.00	S	710407★	33
2.441	2.445	.276	S	494123★	49
63.00	63.12	6.00	S	494123★	49
2.480	2.485	.236	S	*51X63X8★	32
63.00	63.20	8.00	S	*51X63X8★	32
2.480	2.488	.315	S	710323★	49
63.00	63.20	8.50	S	710323★	49
2.480	2.488	.335	S	*51X65X13★	32
64.75	65.00	13.00	S	*51X65X13★	32
2.549	2.559	.512	S	51X65X7★	47
65.00	65.10	7.00	S	51X65X7★	47
2.559	2.563	.276	S	225110★	47
65.00	65.10	7.00	S	225110★	47
2.559	2.563	.276	S		

Hsg. Bore	Seal O.D.	Seal Width	Lip Mat'l	Part No.	Type/Illus.
51,00mm (2.008") SHAFT (cont.)					
65.00	65.10	7.00	S	*474096★	47
2.559	2.563	.276	S	710265★	35
66.00	66.20	6.50	N	710265★	35
2.598	2.606	.256	S	*51X66.5X10★	32
66.25	66.50	10.00	S	*51X66.5X10★	32
2.608	2.618	.394	N	8316★➔	32
70.00	70.28	11.00	N	8316★➔	32
2.756	2.767	.433	S	*51X73X8★	32
73.00	73.20	8.00	S	*51X73X8★	32
2.874	2.882	.315	S	*51X80X8★	32
80.00	80.20	8.00	S	*51X80X8★	32
3.150	3.157	.315	S	*51X81X8★	32
81.00	81.20	8.00	S	*51X81X8★	32
3.189	3.197	.315	S	*51X90X8★	32
90.00	90.20	8.00	S	*51X90X8★	32
3.543	3.551	.315	S	*51X92X8★	32
92.00	92.20	8.00	S	*51X92X8★	32
3.622	3.630	.315	S		
2.010" SHAFT					
-	-	-	S	800500	VRS1
-	-	-	V	800504	VRS1
-	-	-	V	800505	VRS2
-	2.876	.318	S	*SK2++	#
2.650	2.655	.363	S	3794	49
2.030" SHAFT					
-	-	-	S	800500	VRS1
-	-	-	V	800504	VRS1
-	-	-	V	800505	VRS2
-	2.601	.295	S	*SK1++	#
2.031" (2-1/32") SHAFT					
-	-	-	S	800500	VRS1
-	-	-	V	800504	VRS1
-	-	-	V	800505	VRS2
-	4.156	.781	L	5797	#
52,00mm (2.047") SHAFT					
-	-	-	S	800500	VRS1
-	-	-	V	800504	VRS1
-	-	-	V	800505	VRS2
-	-	.500	S	*99204	Redi-Sleeve
0.00	69.01	14.81	S	710527★	#
.000	2.717	.583	S	*52X62X7★	32
61.75	62.00	7.00	S	*52X62X7★	32
2.431	2.441	.276	S	*52X62X10★	32
61.75	62.00	10.00	S	*52X62X10★	32
2.431	2.441	.394	S	710253★%	#
62.00	63.00	5.50	S	710253★%	#
2.441	2.480	.217	S	*52X63X8★	32
62.75	63.00	8.00	S	*52X63X8★	32
2.470	2.480	.315	S	1975★	32
63.00	63.23	8.00	S	1975★	32
2.480	2.489	.315	S	*52X64X9★	32
63.75	64.00	9.00	S	*52X64X9★	32
2.510	2.520	.354	S	*52X65X8★	32
64.75	65.00	8.00	S	*52X65X8★	32
2.549	2.559	.315	S	*52X65X10★	32
64.75	65.00	10.00	S	*52X65X10★	32
2.549	2.559	.394	S	225208★	32
65.00	65.20	9.00	S	225208★	32
2.559	2.567	.354	S	52X65X9★	32
65.00	65.30	9.00	S	52X65X9★	32
2.559	2.571	.354	S	1955★	35
65.00	65.30	9.00	S	1955★	35
2.559	2.571	.354	S		

For Illustration and Material Data See Technical Section

Designed For A Specific Application - Not Recommended For General Use ➔ Hydrodynamic Lip Design-CW ++ Not Sold Separately % External Bore

* Call 1-800-480-1212 For Price and Delivery ★ Metric Seal

Hsg. Bore	Seal O.D.	Seal Width	Lip Mat'l	Part No.	Type/Illus.	Hsg. Bore	Seal O.D.	Seal Width	Lip Mat'l	Part No.	Type/Illus.						
52,00mm (2.047") SHAFT (cont.)						52,00mm (2.047") SHAFT (cont.)											
66,00	66,12	7,50	S	4898★	66	79,72	80,00	13,00	S	*52X80X13★	32						
2,598	2,603	.295				3,139	3,150	.512									
66,00	66,23	9,00	N	225210★	35	80,00	80,28	10,00	S	52X80X10★↔	32						
2,598	2,607	.354				3,150	3,161	.394									
67,00	67,30	7,00	S	1883★%	#	82,00	82,20	8,00	S	52X82X8★	32						
2,638	2,650	.276				3,228	3,236	.315									
67,75	68,00	7,00	S	*52X68X7★	32	84,72	85,00	9,00	S	*52X85X9★	32						
2,667	2,677	.276				3,335	3,346	.354									
67,75	68,00	10,00	S	*52X68X10★	32	84,72	85,00	10,00	S	*52X85X10★	32						
2,667	2,677	.394				3,335	3,346	.394									
68,00	68,10	6,50	S	710292★	#	85,00	85,20	8,00	S	52X85X7★	32						
2,677	2,681	.256				3,346	3,354	.315									
68,00	68,09	12,09	S	*710064★	#	85,00	85,20	8,00	S	*52X85X8★	32						
2,677	2,681	.476				3,346	3,354	.315									
68,00	68,15	8,00	V	710190★	32	89,72	90,00	10,00	S	*52X90X10★	32						
2,677	2,683	.315				3,532	3,543	.394									
68,00	68,20	8,00	V	*52X68X8V★	35	2.048" SHAFT											
2,677	2,685	.315				-	-	-	S	800500	VRS1						
68,00	68,20	13,00	S	710312★	32	-	-	-	V	800504	VRS1						
2,677	2,685	.512				-	-	-	V	800505	VRS2						
68,00	68,28	7,00	S	4990★	281	2,728	2,732	.590	S	3087	#						
2,677	2,688	.276				2.058" SHAFT											
68,00	68,28	8,00	S	225220★	32	-	-	-	S	800500	VRS1						
2,677	2,688	.315				-	-	-	V	800504	VRS1						
68,00	68,28	8,00	S	52X68X8★	32	-	-	-	V	800505	VRS2						
2,677	2,688	.315				-	-	.781	99205	Redi-Sleeve							
68,00	68,28	10,00	S	1884★	32	2,062	3,325	.290	S	*200897%	200E						
2,677	2,688	.394				2,676	2,681	.255	S	*7141	200						
68,00	68,43	10,00	S	*324186★	32	3,149	3,154	.270	S	200110	200						
2,677	2,694	.394				2.062" (2-1/16") SHAFT											
69,00	69,28	10,00	S	52X69X10★	35	-	-	-	S	800500	VRS1						
2,717	2,728	.394				-	-	-	V	800504	VRS1						
69,75	70,00	9,00	S	*52X70X9★	32	-	-	-	V	800505	VRS2						
2,746	2,756	.354				-	-	.781	99205	Redi-Sleeve							
69,75	70,00	13,00	S	*52X70X13★	32	-	4,735	.468	S	6077	#						
2,746	2,756	.512				2,561	2,565	.312	S	332134	33						
70,00	70,20	8,00	S	52X70X8★	32	2,561	2,565	.313	V	484064V	48						
2,756	2,764	.315				2,758	2,762	.437	S	*451945	45						
70,00	70,27	8,50	N	710187★→	32	2,842	2,846	.450	L	5877	5L						
2,756	2,766	.335				2,875	2,879	.375	S	*472579	47						
70,00	70,27	7,50	S	225540★%	#	2.875	2.879	.437	S	451948	45						
2,756	2,767	.295				2,875	2,879	.468	S	*450373	45						
70,00	70,27	8,00	S	225225★	47	2,875	2,879	.468	S	*480373	48						
2,756	2,767	.315				2,875	2,879	.500	F	*291070	29						
71,75	72,00	9,00	S	*52X72X9★	32	2,937	3,034	.340	S	4162%	200E						
2,825	2,835	.354				2.996	3.001	.375	S	473466	47						
71,75	72,00	10,00	S	*52X72X10★	32	2,996	3,001	.500	S	*410261	41						
2,825	2,835	.394				2,996	3,001	.500	S	*450261	45						
71,75	72,00	12,00	S	*52X72X12★	32	2,996	3,001	.500	S	*480261	48						
2,825	2,835	.472				3,000	3,005	.310	S	6954S	44						
72,00	72,20	8,00	S	52X72X8★	35	3,000	3,005	.375	V	2822V	41						
2,835	2,843	.315				3,000	3,005	.375	S	*412012	41						
72,00	72,20	8,00	V	*52X72X8V★	32	3.000	3.005	.375	S	472012	47						
2,835	2,843	.315				3,000	3,005	.375	S	*482012	48						
72,00	72,28	8,00	S	225230★	35	3,000	3,005	.437	N	412798N	41						
2,835	2,846	.315				3,000	3,005	.500	S	*450302	45						
72,00	72,28	8,00	S	*350858★	35	3,000	3,005	.500	H	*450302H	45						
2,835	2,846	.315				3,000	3,005	.500	S	*480302	48						
72,00	72,28	8,00	N	710242★→	32	3.061	3.066	.500	S	450307	45						
2,835	2,846	.315				3,061	3,066	.500	S	*480307	48						
74,75	75,00	10,00	S	*52X75X10★	32	3,125	3,130	.500	S	450311	45						
2,943	2,953	.394				3,125	3,130	.500	S	*480311	48						
75,00	75,11	7,50	S	225275★	66	3,151	3,156	.240	F	5756	29						
2,953	2,957	.295				3,189	3,194	.375	S	*472928	47						
75,00	75,28	12,00	S	52X75X12★	32	3,189	3,194	.437	S	450096	45						
2,953	2,964	.472															
77,00	78,00	9,00	S	710107★%	#												
3,031	3,071	.354															
77,72	78,00	10,00	S	*52X78X10★	32												
3,060	3,071	.394															
78,00	78,28	9,00	N	225278★	35												
3,071	3,082	.354															

SIZE SECTION

For Illustration and Material Data See Technical Section
 # Designed For A Specific Application - Not Recommended For General Use → Hydrodynamic Lip Design-CW ↔ Hydrodynamic Lip Design-Bidirectional % External Bore
 * Call 1-800-480-1212 For Price and Delivery ★ Metric Seal

Size Section

NATIONAL®

Hsg. Bore	Seal O.D.	Seal Width	Lip Mat'l	Part No.	Type/ Illus.
2.062" (2-1/16") SHAFT (cont.)					
3.189	3.194	.437	H	*450096H	45
3.189	3.194	.437	S	*480096	48
3.190	3.194	.437	S	*416738	41
3.190	3.194	.437	H	*416738H	41
3.250	3.310	.500	S	80313%	200E
3.251	3.256	.500	S	450313	45
3.251	3.256	.500	S	*480313	48
3.350	3.355	.468	S	*450532	45
3.371	3.376	.468	S	450343	45
3.371	3.376	.468	S	*480343	48
3.623	3.628	.468	S	*455260	45
3.623	3.628	.468	S	*485260	48
2.065" SHAFT					
3.130	3.130	.294	S	200865%	200E
53,00mm (2.087") SHAFT					
-	-	-	S	800500	VRS1
-	-	-	V	800504	VRS1
-	-	-	V	800505	VRS2
0,00	71,25	8,99	S	710522★	35
.000	2.805	.354			
67,95	68,20	7,00	S	*53X68.2X7★	32
2.675	2.685	.276			
68,00	68,28	10,00	S	53X68X10★	32
2.677	2.688	.394			
68,20	68,48	7,00	S	710175★	32
2.685	2.696	.276			
69,00	69,11	10,30	F	*205009★	205
2.717	2.721	.406			
71,75	72,00	10,00	S	*53X72X10★	32
2.825	2.835	.394			
72,75	73,00	10,00	S	*53X73X10★	32
2.864	2.874	.394			
79,72	80,00	13,00	S	*53X80X13★	32
3.139	3.150	.512			
2.088" SHAFT					
.000	2.777	.500	S	710506	86
.000	2.915	.500	S	710507	71
2.093" (2-3/32") SHAFT					
-	-	-	S	800550	VRS1
-	-	-	V	800554	VRS1
2.716	2.721	.359	S	*204078	204
2.716	2.721	.406	S	*204009	204
2.716	2.721	.406	S	6590S	204
2.716	2.725	.250	S	340900	34
2.750	2.754	.250	S	41013S	4S
2.835	2.839	.250	S	*40627S	4S
3.148	3.153	.250	S	*43070S	4S
3.150	3.156	.250	S	40973S	4S
2.116" SHAFT					
-	-	-	S	800550	VRS1
-	-	-	V	800554	VRS1
3.189	3.194	.468	H	*472236H	47
2.121" SHAFT					
3.296	3.296	.460	S	*9434%	46
2.125" (2-1/8") SHAFT					
-	-	-	S	800550	VRS1
-	-	-	V	800554	VRS1
-	-	.500		99210	Redi-Sleeve

Hsg. Bore	Seal O.D.	Seal Width	Lip Mat'l	Part No.	Type/ Illus.
2.125" (2-1/8") SHAFT (cont.)					
-	-	.781		99212	Redi-Sleeve
2.561	2.565	.492	S	*474069	47
2.750	2.754	.375	S	*473204	47
2.750	2.754	.375	N	*473204N	47
2.750	2.754	.500	H	*9933	Redi-Sleeve
2.750	2.754	.500	S	*411949	41
2.750	2.754	.500	H	*411949H	41
2.750	2.754	.500	N	*411949N	41
2.750	2.754	.500	S	*471949	47
2.750	2.754	.500	H	*471949H	47
2.750	2.754	.500	N	*471949N	47
2.758	2.762	.437	S	*471950	47
2.758	2.762	.437	H	*471950H	47
2.758	2.762	.437	N	*471950N	47
2.835	2.839	.468	S	*410639	41
2.835	2.839	.468	S	*450639	45
2.835	2.839	.468	S	*470639	47
2.835	2.839	.468	S	*480639	48
2.875	2.879	.250	S	40566S	4S
2.875	2.879	.250	S	*43000S	4S
2.875	2.879	.312	S	6626S	4S
2.875	2.879	.375	V	470898V	45
2.875	2.879	.375	H	6879H	33
2.875	2.879	.375	H	*330867H	33
2.875	2.879	.375	N	*450898N	45
2.875	2.879	.375	S	*470898	47
2.875	2.879	.375	A	470898A	47
2.875	2.879	.375	N	*470898N	47
2.875	2.879	.375	S	*480898	48
2.875	2.879	.375	H	*480898H	48
2.875	2.879	.437	T	39851◀	FW-H
2.875	2.879	.437	T	39853▶	FW-H
2.875	2.879	.437	S	*410867	41
2.875	2.879	.437	N	410867N	41
2.875	2.879	.437	V	*410867V	41
2.875	2.879	.437	S	450867	45
2.875	2.879	.437	H	*450867H	45
2.875	2.879	.437	N	*450867N	45
2.875	2.879	.437	V	*450867V	45
2.875	2.879	.437	S	*470867	47
2.875	2.879	.437	H	*470867H	47
2.875	2.879	.437	N	*470867N	47
2.875	2.879	.437	S	*480867	48
2.875	2.879	.437	N	*480867N	48
2.875	2.879	.468	S	*410365	41
2.875	2.879	.468	S	450365	45
2.875	2.879	.468	N	450365N	45
2.875	2.879	.468	V	*450365V	45
2.875	2.879	.468	S	*470365	47
2.875	2.879	.468	S	*480365	48
2.875	2.879	.500	S	*452612	45
2.875	2.879	.500	S	*482612	48
2.875	2.879	.625	L	30365	3L
2.878	2.882	.375	S	453066	45
2.878	2.884	.437	S	9599S▶	47
2.880	2.885	.500	N	2457◀	#
2.996	3.001	.375	S	*473467	47
2.996	3.001	.500	S	*410115	41
2.996	3.001	.500	N	*410115N	41
2.996	3.001	.500	S	450115	45
2.996	3.001	.500	N	*450115N	45
2.996	3.001	.500	S	*470115	47
2.996	3.001	.500	S	*480115	48
2.996	3.001	.687	S	8650S	1L
3.000	3.005	.312	S	8430S	49
3.000	3.005	.375	V	412015V	41
3.000	3.005	.375	S	*472015	47
3.000	3.005	.375	N	*472015N	47
3.000	3.005	.375	V	472015V	47
3.000	3.005	.375	S	*482015	48
3.000	3.005	.375	H	*482015H	48

For Illustration and Material Data See Technical Section

Designed For A Specific Application - Not Recommended For General Use ▶ Hydrodynamic Lip Design-CW ◀ Hydrodynamic Lip Design-CCW % External Bore

* Call 1-800-480-1212 For Price and Delivery ★ Metric Seal

Hsg. Bore	Seal O.D.	Seal Width	Lip Mat'l	Part No.	Type/Illus.	Hsg. Bore	Seal O.D.	Seal Width	Lip Mat'l	Part No.	Type/Illus.
2.125" (2-1/8") SHAFT (cont.)						2.125" (2-1/8") SHAFT (cont.)					
3.000	3.005	.375	N	*482015N	48	3.350	3.355	.500	S	*456861	45
3.000	3.005	.375	V	*482015V	48	3.350	3.356	1.250	S	*483815	48
3.000	3.005	.500	S	*410303	41	3.371	3.376	.312	S	440972	44
3.000	3.005	.500	N	*410303N	41	3.371	3.376	.375	V	413470V	41
3.000	3.005	.500	S	450303	45	3.371	3.376	.375	S	413470	41
3.000	3.005	.500	N	*450303N	45	3.371	3.376	.468	S	*410972	41
3.000	3.005	.500	V	*450303V	45	3.371	3.376	.468	N	410972N	41
3.000	3.005	.500	S	*470303	47	3.371	3.376	.468	S	*450972	45
3.000	3.005	.500	N	*470303N	47	3.371	3.376	.468	S	*470972	47
3.000	3.005	.500	V	*470303V	47	3.371	3.376	.468	S	*480972	48
3.000	3.005	.500	S	480303	48	3.436	3.440	.625	F	6380	29
3.000	3.005	.500	V	*480303V	48	3.500	3.505	.375	S	416267	41
3.061	3.066	.375	S	473468	47	3.500	3.505	.375	S	*476267	47
3.061	3.066	.500	S	410308	41	3.500	3.505	.500	S	*415659	41
3.061	3.066	.500	S	450308	45	3.500	3.505	.500	S	*455659	45
3.061	3.066	.500	S	*470308	47	3.500	3.505	.500	S	*475659	47
3.061	3.066	.500	N	470308N	47	3.500	3.505	.500	S	*485659	48
3.061	3.066	.500	S	*480308	48	3.501	3.505	.375	S	*456267	45
3.061	3.066	.687	L	30308	3L	3.501	3.505	.375	S	*486267	48
3.063	3.068	.370	N	*710021	7S	3.543	3.548	.320	S	*200346	200
3.125	3.130	.375	S	*412016	41	3.543	3.548	.500	S	415349	41
3.125	3.130	.375	N	*412016N	41	3.543	3.548	.500	N	*415349N	41
3.125	3.130	.375	S	472016	47	3.543	3.548	.500	V	*415349V	41
3.125	3.130	.375	S	*482016	48	3.547	3.557	.375	S	*355737	35
3.125	3.130	.500	S	*2523	41	3.623	3.628	.468	S	*415080	41
3.125	3.130	.500	S	*410312	41	3.623	3.628	.468	S	455080	45
3.125	3.130	.500	N	410312N	41	3.623	3.628	.468	N	475080N	47
3.125	3.130	.500	S	450312	45	3.937	3.942	.375	S	*476808	47
3.125	3.130	.500	N	*450312N	45	54.00mm (2.126") SHAFT					
3.125	3.130	.500	S	*470312	47	-	-	-	S	800550	VRS1
3.125	3.130	.500	N	*470312N	47	-	-	-	V	800554	VRS1
3.125	3.130	.500	S	*480312	48	-	-	.500		99210	Redi-Sleeve
3.125	3.130	.500	N	*480312N	48	-	-	.781		99212	Redi-Sleeve
3.125	3.130	.593	S	*7951	41	63,75	64,00	9,00	S	*54X64X9★	32
3.126	3.131	.484	F	6389	29	2.510	2.520	.354			
3.146	3.153	.500	F	8243	#	64,75	65,00	10,00	S	*54X65X10★	32
3.149	3.154	.375	S	476535	47	2.549	2.559	.394			
3.149	3.154	.375	N	*476535N	47	64,75	65,00	13,00	S	*54X65X13★	32
3.180	3.184	.781	S	*6180	#	2.549	2.559	.512			
3.189	3.194	.375	S	472409	47	65,00	65,20	8,00	S	54X65X8★	32
3.189	3.194	.375	N	*472409N	47	2.559	2.567	.315			
3.189	3.194	.375	V	*472409V	47	65,00	65,28	12,50	S	2002★	47
3.189	3.194	.437	T	39302➔	W-H	2.559	2.570	.492			
3.189	3.194	.437	T	39717➔	WW-H	66,00	66,23	7,50	S	225410★	#
3.189	3.194	.437	T	39719◄	WW-H	2.598	2.607	.295			
3.189	3.194	.437	S	*410121	41	67,75	68,00	10,00	S	*54X68X10★	32
3.189	3.194	.437	V	*410121V	41	2.667	2.677	.394			
3.189	3.194	.437	S	450121	45	69,00	69,23	7,00	N	710239★	40
3.189	3.194	.437	N	*450121N	45	2.717	2.726	.276			
3.189	3.194	.437	V	*450121V	45	69,75	70,00	9,00	S	*54X70X9★	32
3.189	3.194	.437	S	*470121	47	2.746	2.756	.354			
3.189	3.194	.437	H	*480121	48	72,00	72,25	10,00	S	54X72X10★	32
3.189	3.194	.468	S	*2439	47	2.835	2.844	.394			
3.193	3.198	.812	H	7790H	#	72,00	72,25	10,00	S	225420★	32
3.251	3.256	.375	S	473243	47	2.835	2.844	.394			
3.251	3.256	.375	S	*483243	48	72,25	72,50	9,00	S	*54X72.5X9★	32
3.251	3.256	.437	S	*412032	41	2.844	2.854	.354			
3.251	3.256	.437	S	*452032	45	73,00	73,20	8,00	S	54X73X8★	32
3.251	3.256	.500	S	*410314	41	2.874	2.882	.315			
3.251	3.256	.500	S	*450314	45	73,00	73,40	12,75	T	712125★➔	FW-H
3.251	3.256	.500	N	*470314N	47	2.874	2.890	.502			
3.251	3.256	.500	S	*480314	48	73,75	74,00	10,00	S	*54X74X10★	32
3.350	3.355	.250	S	*40097S	4S	2.903	2.913	.394			
3.350	3.355	.375	S	413469	41	74,75	75,00	10,00	S	*54X75X10★	32
3.350	3.355	.375	S	*473469	47	2.943	2.953	.394			
3.350	3.355	.468	S	*50097	5S	75,18	75,48	17,00	S	710073★	#
3.350	3.355	.468	S	*410097	41	2.960	2.972	.669			
3.350	3.355	.468	N	*410097N	41	75,75	76,00	8,00	S	*54X76X8★	32
3.350	3.355	.468	V	*410097V◄	41	2.982	2.992	.315			
3.350	3.355	.468	S	*450097	45						
3.350	3.355	.468	S	*480097	48						

SIZE SECTION

For Illustration and Material Data See Technical Section
 # Designed For A Specific Application - Not Recommended For General Use ➔ Hydrodynamic Lip Design-CW ◄ Hydrodynamic Lip Design-CCW
 * Call 1-800-480-1212 For Price and Delivery ★ Metric Seal

Size Section

NATIONAL®



Hsg. Bore	Seal O.D.	Seal Width	Lip Mat'l	Part No.	Type/ Illus.	Hsg. Bore	Seal O.D.	Seal Width	Lip Mat'l	Part No.	Type/ Illus.
54,00mm (2.126") SHAFT (cont.)						55,00mm (2.165") SHAFT (cont.)					
76,00	76,20	14,00	S	710438★	#	64,75	65,00	8,00	S	*55X65X8★	32
2,992	3,000	.551				2,549	2,559	.315			
79,72	80,00	10,00	S	*54X80X10★	32	64,75	65,00	10,00	S	*55X65X10★	32
3,139	3,150	.394				2,549	2,559	.394			
80,72	81,00	10,00	S	*54X81X10★	32	67,75	68,00	10,00	S	*55X68X10★	32
3,178	3,189	.394				2,667	2,677	.394			
81,00	81,20	8,00	S	*54X81X8★	32	68,00	68,20	8,00	S	710127★	#
3,189	3,197	.315				2,677	2,685	.315			
81,72	82,00	11,00	S	*54X82X11★	32	68,00	68,28	8,00	S	55X68X8★	32
3,217	3,228	.433				2,677	2,688	.315			
81,99	82,17	8,00	S	710203★	66	68,00	68,30	8,00	S	225500★	32
3,228	3,235	.315				2,677	2,689	.315			
82,00	82,30	10,00	S	225450★	32	68,53	68,91	4,11	S	*9471★	#
3,228	3,240	.394				2,698	2,713	.162			
82,00	82,35	10,00	S	54X82X10★	32	69,75	70,00	9,00	S	*55X70X9★	32
3,228	3,242	.394				2,746	2,756	.354			
85,00	85,25	10,00	S	225460★	32	69,75	70,00	10,00	S	*55X70X10★	32
3,346	3,356	.394				2,746	2,756	.394			
85,00	85,28	10,00	S	54X85X10★	32	69,75	70,00	12,00	S	*55X70X12★	32
3,346	3,357	.394				2,746	2,756	.472			
2.129" SHAFT						2.165" SHAFT					
-	-	-	S	800550	VRS1	70,00	70,10	10,26	S	3723★	66
-	-	-	V	800554	VRS1	2,756	2,760	.404			
-	-	.781		99212	Redi-Sleeve	70,00	70,20	8,00	V	*55X70X8V★	32
2,762	2,766	.250	N	*6957	48	2,756	2,764	.315			
2,835	2,846	.323	T	100470	#	70,00	70,20	8,00	V	710279★	32
2,891	2,895	.250	S	42101S	4S	2,756	2,764	.315			
2.136" SHAFT						2.165" SHAFT					
-	-	-	S	800550	VRS1	70,00	70,27	8,00	S	55X70X8★	35
-	-	-	V	800554	VRS1	2,756	2,767	.315			
2,902	2,909	.310	S	8312&	272	70,00	70,27	9,00	S	225505★	32
2.141" SHAFT						2.165" SHAFT					
-	-	-	S	800550	VRS1	2,756	2,767	.394			
-	-	-	V	800554	VRS1	71,75	72,00	9,00	S	*55X72X9★	32
3,484	3,493	.329	V	4635V	#	2,825	2,835	.354			
3,484	3,493	.329	H	*4635H▶	#	71,75	72,00	12,00	S	*55X72X12★	32
3,484	3,493	.622	H	4635	#	2,825	2,835	.472			
54,50mm (2.146") SHAFT						2.165" SHAFT					
69,75	70,00	8,00	S	*54.5X70X8★	32	72,00	72,20	8,00	V	*55X72X8V★	32
2,746	2,756	.315				2,835	2,843	.315			
2.156" (2-5/32") SHAFT						2.165" SHAFT					
-	-	-	S	800550	VRS1	72,00	72,20	10,50	S	225535★	32
-	-	-	V	800554	VRS1	2,835	2,843	.413			
2,875	2,879	.375	H	*482513H	48	72,00	72,25	8,00	S	225530★	35
2,880	2,885	.375	T	100058▶	W	2,835	2,844	.315			
3.189	3.194	.437	S	450621	45	72,00	72,25	8,00	S	55X72X8★	32
3,189	3,194	.437	N	*450621N	45	2,835	2,844	.315			
3,251	3,256	.500	S	450869	45	72,75	73,00	10,00	S	*55X73X10★	32
2.162" SHAFT						2.165" SHAFT					
-	-	-	S	800550	VRS1	2,864	2,874	.394			
-	-	-	V	800554	VRS1	74,00	74,10	9,20	S	1207N★	49
-	-	.787		99215	Redi-Sleeve	2,913	2,917	.362			
3,543	3,548	.375	S	*476513	47	74,00	74,28	9,20	S	1207★	49
55,00mm (2.165") SHAFT						2.165" SHAFT					
-	-	-	S	800550	VRS1	2,913	2,924	.362			
-	-	-	V	800554	VRS1	74,75	75,00	9,00	S	*55X75X9★	32
-	-	.787		99215	Redi-Sleeve	2,943	2,953	.354			
3,543	3,548	.375	S	*476513	47	74,75	75,00	12,00	S	*55X75X12★	32
55,00mm (2.165") SHAFT						2.165" SHAFT					
-	-	-	S	800550	VRS1	2,943	2,953	.472			
-	-	-	V	800554	VRS1	75,00	0,00	10,00	N	225885★	32
-	-	.787		99215	Redi-Sleeve	2,953	.000	.394			
3,543	3,548	.375	S	*476513	47	75,00	75,20	7,00	S	55X100X7★	32
55,00mm (2.165") SHAFT						2.165" SHAFT					
-	-	-	S	800550	VRS1	2.953	2.961	.276			
-	-	-	V	800554	VRS1	75,00	75,20	8,00	S	55X75X8★	35
-	-	.787		99215	Redi-Sleeve	2,953	2,961	.315			
3,543	3,548	.375	S	*476513	47	75,00	75,20	10,00	V	*55X75X10V★	35
55,00mm (2.165") SHAFT						2.165" SHAFT					
-	-	-	S	800550	VRS1	2,953	2,961	.394			
-	-	-	V	800554	VRS1	75,00	75,35	10,00	S	55X75X10★	35
-	-	.787		99215	Redi-Sleeve	2,953	2,967	.394			
3,543	3,548	.375	S	*476513	47	75,00	75,35	10,00	S	225545★	35
55,00mm (2.165") SHAFT						2.165" SHAFT					
-	-	-	S	800550	VRS1	2,953	2,967	.394			
-	-	-	V	800554	VRS1	75,75	76,00	12,00	S	*55X76X12★	32
-	-	.787		99215	Redi-Sleeve	2,982	2,992	.472			
3,543	3,548	.375	S	*476513	47	77,72	78,00	9,00	S	*55X78X9★	32
55,00mm (2.165") SHAFT						2.165" SHAFT					
-	-	-	S	800550	VRS1	3,060	3,071	.354			
-	-	-	V	800554	VRS1	77,72	78,00	12,00	S	*55X78X12★	32
-	-	.787		99215	Redi-Sleeve	3,060	3,071	.472			
3,543	3,548	.375	S	*476513	47						

For Illustration and Material Data See Technical Section

Designed For A Specific Application - Not Recommended For General Use ▶ Hydrodynamic Lip Design-CW & Flanged O.D. * Call 1-800-480-1212 For Price and Delivery

★ Metric Seal

Hsg. Bore	Seal O.D.	Seal Width	Lip Mat'l	Part No.	Type/Illus.	Hsg. Bore	Seal O.D.	Seal Width	Lip Mat'l	Part No.	Type/Illus.
55,00mm (2.165") SHAFT (cont.)						2.187" (2-3/16") SHAFT (cont.)					
78,00	78,28	10,00	S	55X78X10★	32	2.835	2.839	.468	S	471952	47
3,071	3,082	.394				2,835	2,839	.468	S	*481952	48
79,72	80,00	10,00	S	*55X80X10★	32	2,875	2,879	.375	S	*413244	41
3,139	3,150	.394				2,875	2,879	.375	N	*413244N	41
79,72	80,00	12,00	S	*55X80X12★	32	2,875	2,879	.375	S	*453244	45
3,139	3,150	.472				2.875	2.879	.375	S	473244	47
80,00	80,20	8,00	V	*55X80X8V★	35	2,875	2,879	.375	S	*483244	48
3,150	3,157	.315				2,875	2,879	.437	S	*411953	41
80,00	80,28	8,00	S	55X80X8★	32	2,875	2,879	.437	N	*411953N	41
3,150	3,161	.315				2,875	2,879	.437	S	*451953	45
81,72	82,00	9,00	S	*55X82X9★	32	2,875	2,879	.437	S	*471953	47
3,217	3,228	.354				2,875	2,879	.437	S	*481953	48
82,00	82,30	12,00	S	55X82X12★	32	2,875	2,879	.468	S	*410489	41
3,228	3,240	.472				2,875	2,879	.468	S	450489	45
82,00	82,30	10,00	S	1958★	35	2,875	2,879	.468	S	*470489	47
3,228	3,240	.472				2,875	2,879	.468	S	*480489	48
84,72	85,00	12,00	S	*55X85X12★	32	2,875	2,883	.500	S	*712136	32
3,335	3,346	.472				2.996	3.001	.375	S	472234	47
84,72	85,00	14,00	S	*55X85X14★	32	2,996	3,001	.437	S	*412017	41
3,335	3,346	.551				2,996	3,001	.437	S	*452017	45
85,00	85,20	8,00	S	55X85X8★	32	2,996	3,001	.437	S	*472017	47
3,346	3,354	.315				2,996	3,001	.437	S	*482017	48
85,00	85,31	10,00	S	55X85X10★	32	2,996	3,001	.500	S	*410139	41
3,346	3,359	.394				2,996	3,001	.500	S	*450139	45
88,00	88,20	8,00	S	55X88X8★↔	32	2,996	3,001	.500	S	*470139	47
3,465	3,472	.315				2,996	3,001	.500	S	*480139	48
88,00	88,20	8,00	S	*55X88X10★	32	3,000	3,005	.375	S	*412018	41
3,465	3,472	.315				3,000	3,005	.375	S	*452018	45
89,72	90,00	8,00	S	*55X90X8★	32	3.000	3.005	.375	S	472018	47
3,532	3,543	.315				3,000	3,005	.375	N	*472018N	47
89,72	90,00	10,00	S	*55X90X10★	32	3,000	3,005	.375	V	*472018V	47
3,532	3,543	.394				3,000	3,005	.375	S	*482018	48
90,00	90,27	8,00	S	55X90X8★	32	3,000	3,005	.437	S	*450718	45
3,543	3,554	.315				3,000	3,005	.500	S	*411338	41
90,00	90,28	13,00	S	55X90X13★	32	3,000	3,005	.500	S	*451338	45
3,543	3,554	.512				3,000	3,005	.500	S	*471338	47
95,00	95,20	8,00	S	*55X95X8★	32	3,000	3,005	.500	S	*481338	48
3,740	3,748	.315				3.062	3.066	.375	S	473471	47
99,72	100,00	10,00	S	*55X100X10★	32	3,062	3,066	.500	S	*412019	41
3,926	3,937	.394				3,062	3,066	.500	S	*452019	45
99,72	100,00	12,00	S	*55X100X12★	32	3,062	3,066	.500	S	*472019	47
3,926	3,937	.472				3,062	3,066	.500	S	*482019	48
100,00	100,30	12,70	S	55X100X13★	45	3,125	3,130	.375	S	*412020	41
3,937	3,949	.500				3,125	3,130	.375	S	*452020	45
101,68	101,80	11,10	V	*477674V★	47	3,125	3,130	.375	S	472020	47
4,003	4,008	.437				3,125	3,130	.375	S	*482020	48
						3,125	3,130	.500	S	*410681	41
						3,125	3,130	.500	S	*450681	45
						3,125	3,130	.500	N	*450681N	45
						3,125	3,130	.500	S	*470681	47
						3,125	3,130	.500	S	*480681	48
2,426	3,000	.485	S	*9195S	#	3,187	3,194	.687	S	6636S	35
3,125	3,130	.675	N	710413	#	3,189	3,194	.375	S	*472940	47
3,345	3,350	.500	S	*482435	48	3,189	3,194	.437	S	*410354	41
						3,189	3,194	.437	S	*450354	45
						3.189	3.194	.437	S	470354	47
						3,189	3,194	.437	S	*480354	48
						3,189	3,194	.718	L	6186	1L
						3,190	3,195	.625	S	*474007	47
2,999	3,004	.250	S	4740	282	3,251	3,256	.375	S	*413245	41
3,000	3,005	.495	S	8974S	49	3,251	3,256	.375	S	*453245	45
3,190	3,194	.620	S	3103↔	69	3.251	3.256	.375	S	473245	47
3,190	3,194	.620	V	713103↔	69	3,251	3,256	.375	S	*483245	48
						3,251	3,256	.500	S	*410315	41
						3,251	3,256	.500	N	*410315N	41
						3,251	3,256	.500	S	*450315	45
						3,251	3,256	.500	S	*470315	47
		.781		99218	Redi-Sleeve	3,251	3,256	.500	S	*480315	48
2,835	2,839	.281	S	*42127S	4S	3.350	3.355	.375	S	412943	41
2,835	2,839	.468	S	*411952	41	3,350	3,355	.468	S	*410098	41
2,835	2,839	.468	S	*451952	45	3,350	3,355	.468	S	*450098	45
						3,350	3,355	.468	S	*470098	47

SIZE SECTION

For Illustration and Material Data See Technical Section
 # Designed For A Specific Application - Not Recommended For General Use ↔ Hydrodynamic Lip Design-CW ↔↔ Hydrodynamic Lip Design-Bidirectional
 * Call 1-800-480-1212 For Price and Delivery ★ Metric Seal

Size Section

NATIONAL®



Hsg. Bore	Seal O.D.	Seal Width	Lip Mat'l	Part No.	Type/ Illus.
2.187" (2-3/16") SHAFT (cont.)					
3.350	3.355	.468	S	*480098	48
3.350	3.355	.500	S	*452604	45
3.371	3.376	.375	S	*413472	41
3.371	3.376	.468	S	*412035	41
3.371	3.376	.468	S	*452035	45
3.371	3.376	.468	S	*472035	47
3.371	3.376	.468	S	*482035	48
3.500	3.505	.375	S	*416268	41
3.500	3.505	.375	S	*476268	47
3.500	3.505	.375	S	*486268	48
3.500	3.505	.500	S	*415636	41
3.500	3.505	.500	S	*455636	45
3.500	3.505	.500	S	*475636	47
3.500	3.505	.500	S	*485636	48
3.543	3.548	.500	S	*416269	41
3.543	3.548	.500	S	*456269	45
3.623	3.628	.468	S	*415350	41
3.623	3.628	.468	S	*455350	45
3.623	3.628	.468	S	*475350	47
3.623	3.628	.468	S	*485350	48
4.420	4.520	.687	S	*6309	39
5.118	5.124	.375	S	476511	47
2.192" SHAFT					
-	-	-	S	800550	VRS1
-	-	-	V	800554	VRS1
-	-	.781		*99218	Redi-Sleeve
-	3.437	.703	S	*6922	#
2.200" SHAFT					
-	-	-	S	800550	VRS1
-	-	-	V	800554	VRS1
-	-	.500		*99220	Redi-Sleeve
2.804	-	.300	N	710171	#
3.022	3.028	.422	N	4741	#
2.201" SHAFT					
-	-	-	S	800550	VRS1
-	-	-	V	800554	VRS1
-	-	.500		*99220	Redi-Sleeve
2.735	2.741	.197	S	3553&	284
2.735	2.741	.197	S	*3948	#
2.830	2.836	.450	S	710069&	#
3.519	3.523	.590	S	2286	74
56,00mm (2.205") SHAFT					
-	-	-	S	800550	VRS1
-	-	-	V	800554	VRS1
-	-	.500		*99220	Redi-Sleeve
66,00	66,20	17,00	S	710382★	#
2.598	2.606	.669			
67,00	67,20	6,00	S	710169★	#
2.638	2.646	.236			
68,00	68,12	10,00	N	56X68X10★	32
2.677	2.682	.394			
68,00	68,28	10,00	S	1932★	49
2.677	2.688	.394			
69,75	70,00	9,00	S	*56X70X9★	32
2.746	2.756	.354			
70,00	70,20	8,00	S	56X70X8★	35
2.756	2.764	.315			
70,00	70,20	8,00	V	*56X70X8V★	35
2.756	2.764	.315			
71,75	72,00	8,00	S	*56X72X8★	32
2.825	2.835	.315			

Hsg. Bore	Seal O.D.	Seal Width	Lip Mat'l	Part No.	Type/ Illus.
56,00mm (2.205") SHAFT (cont.)					
71,75	72,00	9,00	S	*56X72X9★	32
2.825	2.835	.354			
72,00	72,20	7,00	S	56X72X7★	32
2.835	2.843	.276			
72,00	72,20	8,00	S	710393★	#
2.835	2.843	.315			
72,00	72,27	12,50	S	225227★	#
2.835	2.845	.492			
72,00	72,29	11,50	S	225650★↔	32
2.835	2.846	.453			
72,00	72,40	11,50	S	56X72X11.5★	35
2.835	2.850	.453			
72,00	72,40	11,50	S	56X72X11.5★	35
2.835	2.850	.453			
72,75	73,00	10,00	S	*56X73X10★	32
2.864	2.874	.394			
73,00	73,23	7,50	S	225673★	#
2.874	2.883	.295			
73,00	73,23	22,00	S	712938★	#
2.874	2.883	.866			
73,00	73,28	12,50	S	1993★	47
2.874	2.885	.492			
74,00	74,14	8,50	S	710176★	87
2.913	2.919	.335			
74,00	74,20	8,00	S	710125★	#
2.913	2.921	.315			
75,00	75,13	6,50	S	4899★	66
2.953	2.958	.256			
75,00	75,20	7,00	S	56X75X7★	32
2.953	2.961	.276			
75,00	75,33	8,00	S	225775★	#
2.953	2.966	.315			
75,75	76,00	8,00	S	*56X76X8★	32
2.982	2.992	.315			
76,00	76,12	12,30	S	710108★	66
2.992	2.997	.484			
76,00	76,15	11,50	S	*4905★	72
2.992	2.998	.453			
76,00	76,15	11,50	S	710146★	72
2.992	2.998	.453			
78,00	78,20	8,00	S	*56X78X8★	32
3.071	3.079	.315			
78,00	78,28	7,50	S	225678★	#
3.071	3.082	.295			
79,72	80,00	10,00	S	*56X80X10★	32
3.139	3.150	.394			
79,72	80,00	13,00	S	*56X80X13★	32
3.139	3.150	.512			
80,00	80,28	8,00	S	56X80X8★	32
3.150	3.161	.315			
82,00	82,20	8,00	S	56X82X8★	32
3.228	3.236	.315			
84,72	85,00	10,00	S	*56X85X10★	32
3.335	3.346	.394			
85,00	85,28	8,00	S	56X85X8★	35
3.346	3.357	.315			
88,00	88,20	8,00	S	56X88X8★	32
3.465	3.472	.315			
90,00	90,20	8,00	S	56X90X8★	32
3.543	3.551	.315			
122,00	122,25	8,00	S	710086★	#
4.803	4.813	.315			
2.218" (2-7/32") SHAFT					
-	-	-	S	800550	VRS1
-	-	-	V	800554	VRS1
3.350	3.355	.468	L	50631	5L
2.222" SHAFT					
-	-	-	S	800550	VRS1

For Illustration and Material Data See Technical Section

Designed For A Specific Application - Not Recommended For General Use ◀ Hydrodynamic Lip Design-CCW ↔ Hydrodynamic Lip Design-Bidirectional & Flanged O.D.

* Call 1-800-480-1212 For Price and Delivery ★ Metric Seal

Hsg. Bore	Seal O.D.	Seal Width	Lip Mat'l	Part No.	Type/Illus.	Hsg. Bore	Seal O.D.	Seal Width	Lip Mat'l	Part No.	Type/Illus.
2.222" SHAFT (cont.)						2.250" (2-1/4") SHAFT (cont.)					
-	-	-	V	800554	VRS1	2.675	2.733	.539	S	722109	VRS1
3.543	3.548	.760	H	7568	#	2.750	-	.250	U	710026	#
2.231" SHAFT											
-	-	-	S	800550	VRS1	2.750	-	.375	U	710041	#
-	-	-	V	800554	VRS1	2.873	2.877	.312	S	*481336	48
-	-	.500		*99229	Redi-Sleeve	2.875	2.879	.250	S	43034S	4S
-	-	.781		99230	Redi-Sleeve	2.875	2.879	.500	S	*453613	45
3.017	2.974	.070	S	*8730	#	2.987	2.991	.500	S	*411452	41
3.371	3.376	.812	S	*392076	#	2.996	3.001	.437	S	*411341	41
2.240" SHAFT											
-	-	-	S	800550	VRS1	2.996	3.001	.437	N	*411341N	41
-	-	-	V	800554	VRS1	2.996	3.001	.437	S	*451341	45
-	-	.764		99226	Redi-Sleeve	2.996	3.001	.437	H	*451341H	45
3.190	3.194	.450	S	3095	69	2.996	3.001	.437	S	471341	47
57,00mm (2.244") SHAFT											
-	-	-	S	800550	VRS1	2.996	3.001	.437	H	*471341H	47
-	-	-	V	800554	VRS1	2.996	3.001	.437	N	471341N	47
57.12	82.55	7.47	S	*7068★%	200E	2.996	3.001	.500	S	*410441	41
2.249	3.250	.294				2.996	3.001	.500	N	*410441N	41
66.75	67.00	6.00	S	*57X67X6★	32	2.996	3.001	.500	S	450441	45
2.628	2.638	.236				2.996	3.001	.500	N	*450441N	45
67.00	67.11	6.00	S	1984★	25	2.996	3.001	.500	N	*450441N	45
2.638	2.642	.236				2.996	3.001	.500	S	*470441	47
67.00	67.11	6.00	S	*253752★	25	2.996	3.001	.500	V	*470441V	47
2.638	2.642	.236				2.996	3.001	.500	S	*480441	48
72.00	72.25	8.40	S	1964★	47	3.000	3.005	.250	S	40520S	4S
2.835	2.844	.331				3.000	3.005	.375	S	*411272	41
74.75	75.00	12.00	S	*57X75X12★	32	3.000	3.005	.375	S	*451272	45
2.943	2.953	.472				3.000	3.005	.375	S	471272	47
77.00	77.20	8.00	S	710129★	#	3.000	3.005	.375	H	*471272H	47
3.031	3.039	.315				3.000	3.005	.375	N	471272N	47
79.00	79.28	13.50	S	710072★	#	3.000	3.005	.375	V	471272V	47
3.110	3.121	.531				3.000	3.005	.375	S	*481272	48
79.00	79.28	14.98	S	710074★	#	3.000	3.005	.375	N	*481272N	48
3.110	3.121	.590				3.000	3.005	.375	V	712250	47
79.72	80.00	12.00	S	*57X80X12★	32	3.000	3.005	.438	V	483323V	48
3.139	3.150	.472				3.000	3.005	.500	S	410520	41
80.00	80.10	8.00	S	710225★	#	3.000	3.005	.500	N	*410520N	41
3.150	3.154	.315				3.000	3.005	.500	S	*450520	45
81.00	81.10	9.00	S	1928★	47	3.000	3.005	.500	N	*450520N	45
3.189	3.193	.354				3.000	3.005	.500	S	*470520	47
81.00	81.20	8.00	S	*57X81X8★	32	3.000	3.005	.500	N	*470520N	47
3.189	3.197	.315				3.000	3.005	.500	S	*480520	48
82.22	82.50	10.00	S	*57X82.5X10★	32	3.000	3.060	.290	S	*200940%	200E
3.237	3.248	.394				3.035	3.044	.375	S	352637	35
84.72	85.00	10.00	S	*57X85X10★	32	3.061	3.066	.375	S	473473	47
3.335	3.346	.394				3.061	3.066	.437	F	*6082	29
84.72	85.00	12.00	S	*57X85X12★	32	3.061	3.066	.500	N	7937N	41
3.335	3.346	.472				3.061	3.066	.500	S	*411234	41
84.72	85.00	15.00	S	*57X85X15★	32	3.061	3.066	.500	N	*411234N	41
3.335	3.346	.591				3.061	3.066	.500	S	*451234	45
85.00	85.20	13.00	S	57X85X13★	32	3.061	3.066	.500	S	*481234	48
3.346	3.354	.512				3.125	3.130	.250	S	40433S	4S
92.00	92.20	8.00	S	*57X92X8★	32	3.125	3.130	.375	S	*411138	41
3.622	3.630	.315				3.125	3.130	.375	S	*451138	45
2.250" (2-1/4") SHAFT											
-	-	-	S	800550	VRS1	3.125	3.130	.375	S	471138	47
-	-	-	V	800554	VRS1	3.125	3.130	.375	H	*481138H	48
-	-	.313		99227	Redi-Sleeve	3.125	3.130	.375	N	*481138N	48
-	-	.781		99225	Redi-Sleeve	3.125	3.130	.500	S	*410433	41
-	2.840	.500	S	710045	VRS1	3.125	3.130	.500	S	*450433	45
2.625	2.636	.187	S	341022	34	3.125	3.130	.500	N	*450433N	45
						3.125	3.130	.500	S	*470433	47
						3.125	3.130	.500	S	*480433	48
						3.189	3.194	.375	S	*472916	47
						3.189	3.194	.375	S	*482916	48
						3.189	3.194	.437	S	*50737	5S
						3.189	3.194	.437	S	410737	41
						3.189	3.194	.437	S	450737	45
						3.189	3.194	.437	N	*450737N	45
						3.189	3.194	.437	S	470737	47
						3.189	3.194	.437	N	470737N	47
						3.189	3.194	.437	S	*480737	48
						3.249	3.250	.285	S	200763%	200E
						3.250	3.256	.625	S	*8571	#
						3.251	3.256	.250	S	40316S	4S

SIZE SECTION

For Illustration and Material Data See Technical Section
 # Designed For A Specific Application - Not Recommended For General Use ▶ Hydrodynamic Lip Design-CW % External Bore * Call 1-800-480-1212 For Price and Delivery
 ★ Metric Seal

Size Section

NATIONAL®

Hsg. Bore	Seal O.D.	Seal Width	Lip Mat'l	Part No.	Type/ Illus.	Hsg. Bore	Seal O.D.	Seal Width	Lip Mat'l	Part No.	Type/ Illus.
2.250" (2-1/4") SHAFT (cont.)						2.254" SHAFT					
3.251	3.256	.375	S	*452636	45	2.756	2.763	.340	V	481191V	48
3.251	3.256	.375	S	472636	47	2.255" SHAFT					
3.251	3.256	.375	V	*472636V	47	-	-	-	S	800550	VRS1
3.251	3.256	.375	S	*482636	48	-	-	-	V	800554	VRS1
3.251	3.256	.437	S	*410614	41	-	-	.313		99227	Redi-Sleeve
3.251	3.256	.437	N	*410614N	41	-	-	.781		99225	Redi-Sleeve
3.251	3.256	.437	S	*450614	45	3.312	3.317	.380	S	44052	4S
3.251	3.256	.500	S	410316	41	2.258" SHAFT					
3.251	3.256	.500	H	*410316H	41	-	-	-	S	800550	VRS1
3.251	3.256	.500	N	410316N	41	-	-	-	V	800554	VRS1
3.251	3.256	.500	S	450316	45	3.906	3.950	.250	S	*8754S	#
3.251	3.256	.500	H	*450316H	45	2.272" SHAFT					
3.251	3.256	.500	N	*450316N	45	-	-	-	S	800550	VRS1
3.251	3.256	.500	S	*470316	47	-	-	-	V	800554	VRS1
3.251	3.256	.500	S	*480316	48	2.654	2.661	.250	T	39821	W
3.251	3.256	.500	S	*480316N	48	58,00mm (2.283") SHAFT					
3.252	3.260	.551	N	712512◀	#	-	-	-	S	800550	VRS1
3.264	3.269	.312	F	*292100	29	-	-	-	V	800554	VRS1
3.350	3.355	.250	S	*42289	4S	67,75	68,00	9,00	S	*58X68X9★	32
3.350	3.355	.312	N	454136N	45	2.667	2.677	.354			
3.350	3.355	.375	S	411253	41	69,75	70,00	7,00	S	*58X70X7★	32
3.350	3.355	.468	L	*50099	5L	2.746	2.756	.276			
3.350	3.355	.468	S	*50099S	5S	69,75	70,00	11,00	S	*58X70X11★	32
3.350	3.355	.468	S	*410099	41	2.746	2.756	.433			
3.350	3.355	.468	N	*410099N	41	71,75	72,00	9,00	S	*58X72X9★	32
3.350	3.355	.468	S	450099	45	2.825	2.835	.354			
3.350	3.355	.468	S	*480099	48	71,75	72,00	10,00	S	*58X72X10★	32
3.350	3.355	.500	S	*456622	45	2.825	2.835	.394			
3.371	3.376	.375	S	412920	41	72,00	72,18	8,00	S	225872★	33
3.371	3.376	.375	V	412920V	41	2.835	2.842	.315			
3.371	3.376	.375	S	442109	44	72,00	72,20	8,00	V	*58X72X8V★	35
3.371	3.376	.375	S	*452920	45	2.835	2.843	.315			
3.371	3.376	.375	S	*472920	47	72,00	72,28	8,00	S	58X72X8★	32
3.371	3.376	.375	S	*482920	48	2.835	2.846	.315			
3.371	3.376	.468	S	*410132	41	73,00	73,10	8,50	S	710439★	#
3.371	3.376	.468	S	450132	45	2.874	2.878	.335			
3.371	3.376	.468	S	*470132	47	73,75	74,00	10,00	S	*58X74X10★	32
3.371	3.376	.468	S	*480132	48	2.903	2.913	.394			
3.371	3.376	.468	N	*480132N	48	74,00	74,12	13,00	N	225874★	101
3.371	3.376	.500	S	*442270	44	2.913	2.918	.512			
3.372	3.377	.475	S	370219A	12	74,00	74,20	10,00	S	710271★◀	32
3.400	3.700	.280	S	200929%	200E	2.913	2.921	.394			
3.443	3.447	.250	S	41075S	4S	74,75	75,00	9,00	S	*58X75X9★	32
3.481	3.486	.500	S	455136	45	2.943	2.953	.354			
3.500	3.505	.250	S	*42587S	4S	74,75	75,00	10,00	S	*58X75X10★	32
3.500	3.505	.375	S	411376	41	2.943	2.953	.394			
3.500	3.505	.375	S	*471376	47	74,75	75,00	12,00	S	*58X75X12★	32
3.500	3.505	.500	S	*415093	41	2.943	2.953	.472			
3.500	3.505	.500	N	*415093N	41	75,00	75,10	9,00	S	710400★	47
3.500	3.505	.500	S	455093	45	2.953	2.957	.354			
3.500	3.505	.500	S	*475093	47	75,00	75,20	7,00	S	710136★	#
3.500	3.505	.500	S	*485093	48	2.953	2.961	.276			
3.543	3.548	.500	S	416270	41	75,00	75,26	7,00	S	58X75X7★	32
3.623	3.628	.468	S	415234	41	2.953	2.963	.276			
3.623	3.628	.468	S	*455234	45	75,00	75,28	11,00	S	58X75X11★	35
3.623	3.628	.468	S	*475234	47	2.953	2.964	.433			
3.623	3.628	.468	N	475234N	47	76,00	76,10	6,50	S	710183★	66
3.623	3.628	.468	S	*485234	48	2.992	2.996	.256			
3.623	3.628	.500	S	*456792	45	76,00	76,23	7,80	S	710230★	#
3.751	3.756	.500	S	415259	41	2.992	3.001	.307			
3.751	3.756	.500	S	*455259	45	77,00	77,28	8,50	N	225877★	35
3.751	3.756	.500	S	*475259	47	3.031	3.043	.335			
3.751	3.756	.500	S	*485259	48						
3.876	3.881	.468	L	55337	5L						
4.003	4.008	.468	S	415254	41						
4.003	4.008	.468	S	*455254	45						
4.003	4.008	.468	S	*475254	47						
4.010	4.015	.843	L	*5921	1L						
4.064	4.069	1.092	N	*4036N	90						
4.064	4.069	1.092	N	722250	90						

For Illustration and Material Data See Technical Section

Designed For A Specific Application - Not Recommended For General Use ◀ Hydrodynamic Lip Design-CCW % External Bore * Call 1-800-480-1212 For Price and Delivery

★ Metric Seal

Hsg. Bore	Seal O.D.	Seal Width	Lip Mat'l	Part No.	Type/Illus.	Hsg. Bore	Seal O.D.	Seal Width	Lip Mat'l	Part No.	Type/Illus.
58,00mm (2.283") SHAFT (cont.)						2.312" (2-5/16") SHAFT (cont.)					
77.72	78.00	9.00	S	*58X78X9★	32	3.125	3.130	.375	N	*472150N	47
3.060	3.071	.354				3.125	3.130	.375	V	*472150V	47
77.72	78.00	12.00	S	*58X78X12★	32	3.125	3.130	.500	S	*410551	41
3.060	3.071	.472				3.125	3.130	.500	S	*450551	45
78.00	78.20	8.00	S	*58X78X8★	32	3.125	3.135	.375	S	*712145	35
3.071	3.079	.315				3.251	3.256	.375	S	411394	41
78.00	78.20	10.00	S	710144★◄	#	3.251	3.256	.375	S	*471394	47
3.071	3.079	.394				3.251	3.256	.437	S	*452152	45
79.72	80.00	9.00	S	*58X80X9★	32	3.251	3.256	.500	S	*50317	5S
3.139	3.150	.354				3.251	3.256	.500	S	*410317	41
79.72	80.00	10.00	S	*58X80X10★	32	3.251	3.256	.500	S	450317	45
3.139	3.150	.394				3.251	3.256	.500	N	*450317N	45
79.72	80.00	12.00	S	*58X80X12★	32	3.251	3.256	.500	S	*470317	47
3.139	3.150	.472				3.313	3.318	.375	L	5924	4L
79.72	80.00	13.00	S	*58X80X13★	32	3.350	3.355	.375	S	410694	41
3.139	3.150	.512				3.350	3.355	.468	N	*410100N	41
80.00	80.20	8.00	V	*58X80X8V★	35	3.350	3.355	.468	S	*450100	45
3.150	3.157	.315				3.371	3.376	.468	S	450133	45
80.00	80.28	8.00	S	225880★	32	3.500	3.505	.375	S	416444	41
3.150	3.161	.315				3.500	3.505	.500	S	*415094	41
80.00	80.28	8.00	S	58X80X8★	32	3.500	3.505	.500	S	*455094	45
3.150	3.161	.315				3.500	3.505	.500	N	*455094N	45
80.14	80.24	9.53	S	493291★	49	3.543	3.548	.500	S	*455647	45
3.155	3.159	.375				3.751	3.756	.500	S	455321	45
80.98	81.18	6.35	S	*341119★	34	4.003	4.008	.468	S	*455267	45
3.188	3.196	.250				59,00mm (2.323") SHAFT					
81.72	82.00	12.00	S	*58X82X12★	32	-	-	-	S	800600	VRS1
3.217	3.228	.472				75.00	75.11	10.00	S	710168★	47
82.00	82.20	8.00	S	*58X82X8★	32	2.953	2.957	.394			
3.228	3.236	.315				78.30	78.55	8.00	S	710229★	40
84.72	85.00	8.00	S	*58X85X8★	32	3.083	3.093	.315			
3.335	3.346	.315				78.30	78.55	8.00	S	710231★	32
84.72	85.00	12.00	S	*58X85X12★	32	3.083	3.093	.315			
3.335	3.346	.472				100.00	100.28	10.00	N	710121★	#
85.00	85.25	13.00	S	58X85X13★	32	3.937	3.948	.394			
3.346	3.356	.512				2.324" SHAFT					
85.00	85.28	10.00	S	58X85X10★	35	.000	3.546	.591	S	710508	71
3.346	3.357	.394				2.325" SHAFT					
88.00	88.20	8.00	S	58X88X8★	32	-	-	-	S	800600	VRS1
3.465	3.472	.315				3.125	3.130	.313	S	710430&	#
90.00	90.28	10.00	S	58X90X10★	35	2.330" SHAFT					
3.543	3.554	.394				-	-	-	S	800600	VRS1
91.72	92.00	8.00	S	*58X92X8★	32	-	-	.750	S	99233	Redi-Sleeve
3.611	3.622	.315				2.997	3.001	.312	S	493637	49
103.00	103.20	11.00	N	710268★◄	40	3.000	3.005	.400	N	3945◄◄	48
4.055	4.063	.433				3.000	3.005	.400	N	*332271N	33
2.296" SHAFT						2.336" SHAFT					
-	-	-	S	800600	VRS1	-	-	-	S	800600	VRS1
3.148	3.153	.359	S	204035	204	-	-	.750	S	99233	Redi-Sleeve
3.148	3.153	.359	F	205035	205	2.997	3.001	.312	S	493637	49
2.310" SHAFT						2.359" SHAFT					
-	-	-	S	800600	VRS1	3.938	3.952	.575	V	370199A	09
-	-	.781	S	99231	Redi-Sleeve	60,00mm (2.362") SHAFT					
2.965	2.970	.250	S	*8120	#	-	-	-	S	800600	VRS1
2.312" (2-5/16") SHAFT						-	-	.370	S	*99241	Redi-Sleeve
-	-	-	S	800600	VRS1	-	-	.787	S	99235	Redi-Sleeve
-	-	.781	S	99231	Redi-Sleeve	69.75	70.00	10.00	S	*60X70X10★	32
3.000	3.004	.375	S	4131&	287	2.746	2.756	.394			
3.000	3.005	.250	S	442874	44						
3.000	3.005	.500	S	*411160	41						
3.000	3.005	.500	N	*411160N	41						
3.000	3.005	.500	V	411160V	41						
3.000	3.005	.500	N	*451160N	45						
3.065	3.070	.281	S	43109S	4S						
3.125	3.130	.375	S	472150	47						

SIZE SECTION

For Illustration and Material Data See Technical Section
 # Designed For A Specific Application - Not Recommended For General Use ◄ Hydrodynamic Lip Design-CCW ◄◄ Hydrodynamic Lip Design-Bidirectional & Flanged O.D.
 * Call 1-800-480-1212 For Price and Delivery ★ Metric Seal

Size Section

NATIONAL®



Hsg. Bore	Seal O.D.	Seal Width	Lip Mat'l	Part No.	Type/ Illus.	Hsg. Bore	Seal O.D.	Seal Width	Lip Mat'l	Part No.	Type/ Illus.
60,00mm (2.362") SHAFT (cont.)						60,00mm (2.362") SHAFT (cont.)					
69,75	70,00	12,00	S	*60X70X12★	32	82,00	82,30	12,00	S	60X82X12★	35
2,746	2,756	.472				3,228	3,240	.472			
71,75	72,00	9,00	S	*60X72X9★	32	83,72	84,00	10,00	S	*60X84X10★	32
2,825	2,835	.354				3,296	3,307	.394			
71,75	72,00	10,00	S	*60X72X10★	32	84,72	85,00	6,00	S	*60X85X6★	32
2,825	2,835	.394				3,335	3,346	.236			
72,00	72,10	7,50	S	710379★	47	84,72	85,00	10,00	S	*60X85X10★	32
2,835	2,839	.295				3,335	3,346	.394			
72,00	72,28	8,00	S	60X72X8★	35	84,72	85,00	13,00	S	*60X85X13★	32
2,835	2,846	.315				3,335	3,346	.512			
73,75	74,00	10,00	S	*60X74X10★	32	85,00	85,20	8,00	V	*60X85X8V★	32
2,903	2,913	.394				3,346	3,354	.315			
74,00	74,10	10,00	V	226001★◀	25	85,00	85,20	12,00	S	60X85X12★	32
2,913	2,917	.394				3,346	3,354	.472			
74,75	75,00	9,00	S	*60X75X9★	32	85,00	85,28	8,00	S	60X85X8★	32
2,943	2,953	.354				3,346	3,357	.315			
74,75	75,00	10,00	S	*60X75X10★	32	85,50	85,70	7,00	H	*4599H★➡	#
2,943	2,953	.394				3,366	3,374	.276			
74,75	75,00	12,00	S	*60X75X12★	32	85,72	86,00	10,00	S	*60X86X10★	32
2,943	2,953	.472				3,375	3,386	.394			
75,00	75,20	8,00	V	*60X75X8V★	32	86,00	86,10	7,00	S	710182★	66
2,953	2,961	.315				3,386	3,390	.276			
75,00	75,28	8,00	S	60X75X8★	32	88,00	88,20	8,00	S	*60X88X8★	32
2,953	2,964	.315				3,465	3,472	.315			
75,00	75,33	9,00	N	226015★◀	32	89,72	90,00	11,00	S	*60X90X11★	32
2,953	2,966	.354				3,532	3,543	.433			
75,00	75,50	10,00	T	712113★➡	FW-H	89,72	90,00	12,00	S	*60X90X12★	32
2,953	2,972	.394				3,532	3,543	.472			
75,00	86,00	11,80	S	710093★	#	89,72	90,00	13,00	S	*60X90X13★	32
2,953	3,386	.465				3,532	3,543	.512			
75,75	76,00	9,00	S	*60X76X9★	32	90,00	90,25	8,00	S	60X90X8★	32
2,982	2,992	.354				3,543	3,553	.315			
76,72	77,00	12,00	S	*60X77X12★	32	90,00	90,25	22,00	S	1985★	#
3,020	3,031	.472				3,543	3,553	.866			
77,72	78,00	9,00	S	*60X78X9★	32	90,00	90,27	10,00	S	60X90X10★	35
3,060	3,071	.354				3,543	3,554	.394			
77,72	78,00	10,00	S	*60X78X10★	32	94,72	95,00	10,00	S	*60X95X10★	32
3,060	3,071	.394				3,729	3,740	.394			
78,00	78,20	8,00	S	*60X78X8★	32	94,72	95,00	12,00	S	*60X95X12★	32
3,071	3,079	.315				3,729	3,740	.472			
78,00	78,28	8,00	N	226018★	35	94,72	95,00	13,00	S	*60X95X13★	32
3,071	3,082	.315				3,729	3,740	.512			
79,22	79,50	10,00	S	*60X79.5X10★	32	95,00	95,20	8,00	S	60X95X8★	32
3,119	3,130	.394				3,740	3,748	.315			
79,72	80,00	9,00	S	*60X80X9★	32	99,72	100,00	13,00	S	*60X100X13★	32
3,139	3,150	.354				3,926	3,937	.512			
79,72	80,00	10,00	S	*60X80X10★	32	100,00	100,20	8,00	S	*60X100X8★	32
3,139	3,150	.394				3,937	3,945	.315			
79,72	80,00	12,00	S	*60X80X12★	32	100,00	100,20	10,00	N	60X100X10★◀➡	32
3,139	3,150	.472				3,937	3,945	.394			
79,72	80,00	13,00	S	*60X80X13★	32	103,00	103,10	12,00	N	710276★◀➡	40
3,139	3,150	.512				4,055	4,059	.472			
80,00	80,20	8,00	S	60X80X8★	32	103,72	104,00	12,00	S	*60X104X12★	32
3,150	3,157	.315				4,083	4,094	.472			
80,00	80,20	8,00	V	*60X80X8V★	32	105,00	105,20	8,00	S	*60X105X8★	32
3,150	3,157	.315				4,134	4,142	.315			
80,00	80,20	8,00	S	710333★◀	32	109,72	110,00	12,00	S	*60X110X12★	32
3,150	3,157	.315				4,320	4,331	.472			
80,00	80,29	8,00	S	226020★	35	110,00	110,20	8,00	S	60X110X8★	32
3,150	3,161	.315				4,331	4,339	.315			
81,72	82,00	9,00	S	*60X82X9★	32	2.367" SHAFT					
3,217	3,228	.354				-	-	-	S	800600	VRS1
82,00	82,20	7,00	S	60X82X7★	32	3,366	3,374	.257	V	4539V	75
3,228	3,236	.276				3,366	3,374	.257	H	*3765➡	48
82,00	82,20	10,00	N	710390★➡	32	3,366	3,374	.257	H	4539H➡	75
3,228	3,236	.394				2.375" (2-3/8") SHAFT					
82,00	82,20	12,00	V	710350★➡	#	-	-	-	S	800600	VRS1
3,228	3,236	.472				-	-	.526		99240	Redi-Sleeve
82,00	82,20	12,00	H	712006★◀	32						
3,228	3,236	.472									
82,00	82,28	12,00	S	2001★◀	32						
3,228	3,239	.472									

For Illustration and Material Data See Technical Section

Designed For A Specific Application - Not Recommended For General Use ➡ Hydrodynamic Lip Design-CW ◀ Hydrodynamic Lip Design-CCW

◀➡ Hydrodynamic Lip Design-Bidirectional * Call 1-800-480-1212 For Price and Delivery ★ Metric Seal

Hsg. Bore	Seal O.D.	Seal Width	Lip Mat'l	Part No.	Type/Illus.	Hsg. Bore	Seal O.D.	Seal Width	Lip Mat'l	Part No.	Type/Illus.
2.375" (2-3/8") SHAFT (cont.)						2.375" (2-3/8") SHAFT (cont.)					
-	-	.594		99238	Redi-Sleeve	3.350	3.355	.438	S	472856	47
-	-	.781		99236	Redi-Sleeve	3.350	3.355	.468	S	*410101	41
-	-	.781		99237	Redi-Sleeve	3.350	3.355	.468	N	410101N	41
2.873	2.877	.312	S	*253610		3.350	3.355	.468	S	*410101S	41
2.996	3.001	.500	S	470764	47	3.350	3.355	.468	V	*410101V	41
3.000	3.005	.250	S	41026S	4S	3.350	3.355	.468	S	450101	45
3.000	3.005	.375	S	473573	47	3.350	3.355	.468	H	*450101H	45
3.000	3.013	.394	T	5288◀	#	3.350	3.355	.468	N	*450101N	45
3.000	3.013	.400	V	3393◀	32	3.350	3.355	.468	S	*470101	47
3.061	3.066	.375	S	473474	47	3.350	3.355	.468	N	*470101N	47
3.061	3.066	.500	S	*410988	41	3.350	3.355	.468	S	*480101	48
3.061	3.066	.500	N	*410988N	41	3.350	3.355	.468	H	*480101H	48
3.061	3.066	.500	S	*450988	45	3.350	3.355	.625	N	*480101N	48
3.061	3.066	.500	H	*450988H	45	3.350	3.355	.703	N	*4155	#
3.061	3.066	.500	N	*450988N	45	3.350	3.355	.703	S	*474198	47
3.061	3.066	.500	V	*450988V	45	3.371	3.376	.375	S	413247	41
3.061	3.066	.500	S	*470988	47	3.371	3.376	.375	S	*453247	45
3.061	3.066	.500	N	*470988N	47	3.371	3.376	.375	S	*473247	47
3.061	3.066	.500	S	*470988S	47	3.371	3.376	.468	S	*483247	48
3.061	3.066	.500	N	*470988N	47	3.371	3.376	.468	S	*50350	5S
3.061	3.066	.500	S	*480988	48	3.371	3.376	.468	S	*410350	41
3.061	3.066	.500	H	480988H	48	3.371	3.376	.468	S	450350	45
3.112	3.117	.250	S	*42707S	4S	3.371	3.376	.468	H	*450350H	45
3.112	3.117	.500	S	*411178	41	3.371	3.376	.468	N	*450350N	45
3.125	3.130	.375	S	*410565	41	3.371	3.376	.468	S	*470350	47
3.125	3.130	.375	N	*410565N	41	3.371	3.376	.468	S	*480350	48
3.125	3.130	.375	S	*450565	45	3.471	3.616	.290	S	200855%	200E
3.125	3.130	.375	S	470565	47	3.481	3.486	.437	S	410987	41
3.125	3.130	.375	N	*470565N	47	3.481	3.486	.437	S	470987	47
3.125	3.130	.375	V	*470565V	47	3.481	3.486	.500	S	*50103	5S
3.125	3.130	.375	S	*480565	48	3.481	3.486	.500	S	*410103	41
3.125	3.130	.500	S	*410552	41	3.481	3.486	.500	S	*450103	45
3.125	3.130	.500	N	*410552N	41	3.481	3.486	.663	L	*6214	3L
3.125	3.130	.500	S	*450552	45	3.483	3.488	.500	N	410686N	41
3.125	3.130	.500	N	*450552N	45	3.483	3.488	.500	N	410686N	41
3.125	3.130	.500	S	*470552	47	3.483	3.488	.500	S	450686	45
3.125	3.130	.500	H	*470552H	47	3.500	3.505	.375	S	416271	41
3.125	3.130	.500	N	*470552N	47	3.500	3.505	.375	A	416271A	41
3.125	3.130	.500	S	*480552	48	3.500	3.505	.375	N	*416271N	41
3.125	3.138	.500	V	*320552V	32	3.500	3.505	.375	S	*456271	45
3.189	3.194	.375	S	473475	47	3.500	3.505	.375	V	*456271V	45
3.189	3.194	.437	S	*410320	41	3.500	3.505	.375	S	*476271	47
3.189	3.194	.437	H	*410320H	41	3.500	3.505	.375	S	*486271	48
3.189	3.194	.437	N	*410320N	41	3.500	3.505	.500	S	*55095S	5S
3.189	3.194	.437	S	*450320	45	3.500	3.505	.500	S	*415095	41
3.189	3.194	.437	S	*470320	47	3.500	3.505	.500	N	*415095N	41
3.189	3.194	.437	S	*480320	48	3.500	3.505	.500	S	*455095	45
3.251	3.255	.375	N	413246N	41	3.500	3.505	.500	S	*475095	47
3.251	3.256	.375	S	413246	41	3.500	3.505	.500	N	475095N	47
3.251	3.256	.375	S	*453246	45	3.500	3.505	.500	S	*485095	48
3.251	3.256	.375	S	*473246	47	3.500	3.505	.703	S	*415971	41
3.251	3.256	.375	S	*483246	48	3.500	3.505	.703	H	*415971H	41
3.251	3.256	.375	N	483246N▶	48	3.500	3.505	.730	V	*3278	#
3.251	3.256	.437	S	*412038	41	3.543	3.548	.375	S	412861	41
3.251	3.256	.437	N	412038N	41	3.543	3.548	.500	S	*415248	41
3.251	3.256	.437	S	*452038	45	3.543	3.548	.500	N	415248N	41
3.251	3.256	.500	S	*410574	41	3.543	3.548	.500	S	*455248	45
3.251	3.256	.500	N	*410574N	41	3.601	3.606	.437	L	*55857	5L
3.251	3.256	.500	S	*450574	45	3.601	3.606	.437	S	415857	41
3.251	3.256	.500	H	*450574H	45	3.623	3.628	.359	S	*55829	5S
3.251	3.256	.500	N	*450574N	45	3.623	3.628	.375	S	410825	41
3.251	3.256	.500	S	*470574	47	3.623	3.628	.375	S	*470825	47
3.251	3.256	.500	N	470574N	47	3.623	3.628	.468	N	*415380N	41
3.251	3.256	.500	S	*480574	48	3.623	3.628	.468	S	*455380	45
3.251	3.256	.625	V	710210	74	3.623	3.628	.468	N	*455380N	45
3.252	3.256	.500	H	480574H	48	3.623	3.628	.468	V	*455380V	45
3.265	3.270	.495	S	5119	49	3.623	3.628	.468	S	*475380	47
3.266	3.270	.495	S	*492486	49	3.623	3.628	.468	N	475380N	47
3.350	3.355	.250	S	40101S	4S	3.623	3.628	.500	S	*456472	45
3.350	3.355	.250	S	442507	44	3.623	3.628	.500	N	456472N	45
3.350	3.355	.312	S	*454199	45	3.750	3.755	.250	S	*47314S	4S
3.350	3.355	.375	S	412119	41	3.750	3.756	.500	S	*455728	45

SIZE SECTION

For Illustration and Material Data See Technical Section
 # Designed For A Specific Application - Not Recommended For General Use ▶ Hydrodynamic Lip Design-CW ◀ Hydrodynamic Lip Design-CCW % External Bore
 * Call 1-800-480-1212 For Price and Delivery

Size Section

NATIONAL®

Hsg. Bore	Seal O.D.	Seal Width	Lip Mat'l	Part No.	Type/ Illus.
2.375" (2-3/8") SHAFT (cont.)					
3.751	3.756	.500	S	416071	41
3.875	3.881	1.060	N	*2756N&	74
3.875	3.881	1.060	N	711553↔	74
3.876	3.881	.375	S	417480	41
3.876	3.881	.375	N	*417480N	41
3.876	3.881	.468	S	455860	45
4.064	4.069	1.092	N	*4038N	90
4.064	4.069	1.092	N	712375	90
4.310	5.880	.331	S	*6959	#
4.330	4.335	.500	N	*416795N	41
4.376	4.381	.625	S	*455650	45
4.498	4.504	.391	N	714512↔	87
4.498	4.504	.860	N	*4512↔	#
4.498	4.504	1.060	N	*2757N&	74
4.500	4.504	1.060	N	710006↔	74
60,50mm (2.382") SHAFT					
77.72	78.00	10.00	S	*60.5X78X10★	32
3.060	3.071	.394			
2.390" SHAFT					
3.260	3.300	.294	S	*200939%	200E
2.395" SHAFT					
-	-	-	S	800600	VRS1
3.941	3.948	.070	S	*8829	#
61,00mm (2.402") SHAFT					
-	-	-	S	800600	VRS1
0.00	78.00	13.49	S	710528★	#
.000	3.071	.531			
76.00	76.28	7.00	S	226150★	#
2.992	3.003	.276			
88.00	88.00	7.00	S	710170★	#
3.465	3.465	.276			
2.420" SHAFT					
-	-	-	S	800600	VRS1
3.000	3.005	.382	S	4160	281
3.349	3.355	.375	V	*3501V	69
3.552	3.558	.336	S	*4185	#
2.430" SHAFT					
-	-	-	S	800600	VRS1
-	3.031	.380	S	*7187S	#
2.432" SHAFT					
-	-	-	S	800600	VRS1
3.070	3.075	.227	N	4019N↔	47
2.437" (2-7/16") SHAFT					
-	-	-	S	800600	VRS1
-	-	.500		99242	Redi-Sleeve
-	-	.781		99243	Redi-Sleeve
3.117	3.145	.540	S	*9303S	#
3.125	3.130	.375	S	471887	47
3.125	3.130	.375	H	*471887H	47
3.125	3.130	.375	N	*471887N	47
3.125	3.130	.375	H	*481887H	48
3.125	3.130	.500	S	*450525	45
3.125	3.130	.500	S	*410525	41
3.149	3.154	.291	S	*200397	200
3.251	3.256	.250	S	*40322	4S
3.251	3.256	.375	S	*413477	41

Hsg. Bore	Seal O.D.	Seal Width	Lip Mat'l	Part No.	Type/ Illus.
2.437" (2-7/16") SHAFT (cont.)					
3.251	3.256	.437	S	412040	41
3.251	3.256	.500	S	*410322	41
3.251	3.256	.500	S	*450322	45
3.251	3.256	.500	S	*470322	47
3.350	3.355	.375	S	411500	41
3.350	3.355	.468	S	*410374	41
3.350	3.355	.468	N	*410374N	41
3.350	3.355	.468	S	*450374	45
3.371	3.376	.375	S	413478	41
3.371	3.376	.468	S	*410324	41
3.371	3.376	.468	S	*450324	45
3.481	3.486	.500	S	450104	45
3.500	3.505	.375	S	411245	41
3.500	3.505	.500	S	*415096	41
3.500	3.505	.500	N	*415096N	41
3.500	3.505	.500	S	455096	45
3.500	3.505	.500	V	*455096V	45
3.500	3.505	.500	S	*475096	47
3.543	3.548	.375	S	417073	41
3.543	3.548	.500	S	*455000	45
3.623	3.628	.468	S	*476272	47
3.624	3.628	.375	S	3210	49
4.000	4.055	1.093	S	*8636	#
62,00mm (2.441") SHAFT					
-	-	-	S	800600	VRS1
-	-	.500		99242	Redi-Sleeve
74.00	74.10	7.00	S	710392★	#
2.913	2.917	.276			
74.75	75.00	10.00	S	*62X75X10★	32
2.943	2.953	.394			
74.75	75.00	12.00	S	*62X75X12★	32
2.943	2.953	.472			
77.72	78.00	10.00	S	*62X78X10★	32
3.060	3.071	.394			
78.00	78.10	7.00	S	710213★	281
3.071	3.075	.276			
78.00	78.20	8.00	S	*62X78X8★	32
3.071	3.079	.315			
79.72	80.00	12.00	S	*62X80X12★	32
3.139	3.150	.472			
80.00	80.20	9.00	S	62X80X9★	32
3.150	3.157	.315			
80.00	80.20	10.00	V	*62X80X10V★	35
3.150	3.157	.394			
80.00	80.28	10.00	S	62X80X10★	32
3.150	3.161	.394			
81.72	82.00	10.00	S	*62X82X10★	32
3.217	3.228	.394			
82.00	82.20	8.00	S	*62X82X8★	32
3.228	3.236	.315			
84.72	85.00	10.00	S	*62X85X10★	32
3.335	3.346	.394			
84.72	85.00	12.00	S	*62X85X12★	32
3.335	3.346	.472			
84.72	85.00	13.00	S	*62X85X13★	32
3.335	3.346	.512			
85.00	85.13	8.00	S	62X85X8★	41
3.346	3.352	.315			
85.00	85.13	8.00	S	226285★	41
3.346	3.352	.315			
85.00	85.13	8.00	S	*414072★	41
3.346	3.352	.315			
88.00	88.20	8.00	S	62X88X8★	32
3.465	3.472	.315			
88.72	89.00	12.00	S	*62X89X12★	32
3.493	3.504	.472			
89.72	90.00	13.00	S	*62X90X13★	32
3.532	3.543	.512			
90.00	90.28	10.00	S	62X90X10★	32
3.543	3.554	.394			

For Illustration and Material Data See Technical Section

Designed For A Specific Application - Not Recommended For General Use ↗ Hydrodynamic Lip Design-CW ↔ Hydrodynamic Lip Design-Bidirectional % External Bore & Flanged O.D. * Call 1-800-480-1212 For Price and Delivery ★ Metric Seal

Hsg. Bore	Seal O.D.	Seal Width	Lip Mat'l	Part No.	Type/Illus.	Hsg. Bore	Seal O.D.	Seal Width	Lip Mat'l	Part No.	Type/Illus.
62,00mm (2.441") SHAFT (cont.)						2.485" SHAFT					
92,00	92,20	8,00	S	62X92X8★	32	-	-	-	S	800650	VRS1
3,622	3,630	.315	-	-	-	-	-	-	V	800654	VRS1
94,72	95,00	12,00	S	*62X95X12★	32	3,165	-	.188	U	710042	#
3,729	3,740	.472	-	-	-	2.496" SHAFT					
99,72	100,00	10,00	S	*62X100X10★	32	-	-	-	S	800650	VRS1
3,926	3,937	.394	-	-	-	-	-	-	V	800654	VRS1
99,72	100,00	12,00	S	*62X100X12★	32	3,243	3,248	.420	S	*4101	#
3,926	3,937	.472	-	-	-	3,245	3,248	.485	S	5109	#
100,00	100,20	8,00	S	*62X100X8★	32	3,672	3,772	.315	S	200851%	200E
3,937	3,945	.315	-	-	-	3,715	3,745	.315	S	*200888%	200E
100,00	100,30	7,00	S	62X100X7★	32	2.500" (2-1/2") SHAFT					
3,937	3,949	.276	-	-	-	-	-	-	S	800650	VRS1
109,72	110,00	13,00	S	*62X110X13★	32	-	-	-	V	800654	VRS1
4,320	4,331	.512	-	-	-	-	-	.500		99248	Redi-Sleeve
2.468" SHAFT						-	-	.555		99253	Redi-Sleeve
-	-	-	S	800600	VRS1	-	-	.781		99250	Redi-Sleeve
3,236	3,241	.250	S	*42686	4S	-	-	-	-	-	-
3,350	3,355	.468	L	50560	5L	-	-	-	-	-	-
2.470" SHAFT						-	5,371	1,343	S	*9014	#
-	-	-	S	800600	VRS1	3,000	-	.313	U	710027	#
3,063	3,187	.510	S	*5957S	273	3,000	-	.313	U	*710033	#
2.474" SHAFT						3,000	-	.375	U	710034	#
-	-	-	S	800600	VRS1	3,000	3,005	.250	L	40555	4L
3,543	3,548	.285	S	6575S	200	3,000	3,005	.250	S	40555S	4S
63,00mm (2.480") SHAFT						3,125	3,130	.250	S	43290S	4S
-	-	-	S	800600	VRS1	3,125	3,130	.250	S	*313290	31
-	-	-	S	800650	VRS1	3,125	3,130	.547	N	*9946N	#
-	-	-	V	800654	VRS1	3,125	3,130	.315	T	39803➔	FW-H
78,00	78,20	8,00	S	*63X78X8★	32	3,148	3,154	.250	S	40337S	4S
3,071	3,079	.315	-	-	-	3,150	3,155	.315	N	473476➔	47
79,72	80,00	9,00	S	*63X80X9★	32	3,189	3,194	.375	S	472029	47
3,139	3,150	.354	-	-	-	3,189	3,194	.375	S	*482029	48
80,00	80,20	8,00	S	*63X80X8★	32	3,189	3,194	.437	S	*450323	45
3,150	3,157	.315	-	-	-	3,189	3,194	.437	V	*450323V	45
82,00	82,20	8,00	S	*63X82X8★	32	3,226	3,231	.190	S	3942&	284
3,228	3,236	.315	-	-	-	3,247	3,252	.500	S	410752	41
82,22	82,50	10,00	S	*63X82.5X10★	32	3,250	3,255	.375	U	710018	#
3,237	3,248	.394	-	-	-	3,250	3,256	.437	H	*411509H	41
84,07	84,23	12,70	F	6785★	35	3,250	3,256	.437	N	*411509N	41
3,310	3,316	.500	-	-	-	3,250	3,256	.437	V	*411509V	41
84,72	85,00	12,00	S	*63X85X12★	32	3,250	3,256	.437	S	*451509	45
3,335	3,346	.472	-	-	-	3,250	3,256	.437	H	*451509H	45
85,00	85,27	7,00	S	63X85X7★	32	3,250	3,256	.437	V	*471509	47
3,346	3,357	.276	-	-	-	3,250	3,256	.437	V	*471509V	47
85,00	85,28	10,00	S	63X85X10★	32	3,250	3,256	.437	S	*481509	48
3,346	3,357	.394	-	-	-	3,250	3,256	.437	H	*481509H	48
87,72	88,00	12,00	S	*63X88X12★	32	3,251	3,256	.250	S	*40519S	4S
3,454	3,465	.472	-	-	-	3,251	3,256	.250	S	*442110	44
88,00	88,20	8,00	S	*63X88X8★	32	3,251	3,256	.312	S	442380	44
3,465	3,472	.315	-	-	-	3,251	3,256	.375	S	*411271	41
89,72	90,00	12,00	S	*63X90X12★	32	3,251	3,256	.375	S	*451271	45
3,532	3,543	.472	-	-	-	3,251	3,256	.375	S	471271	47
90,00	90,14	10,00	S	63X90X10★	32	3,251	3,256	.375	A	471271A	47
3,543	3,549	.394	-	-	-	3,251	3,256	.375	V	471271V	47
90,00	90,27	7,00	S	63X90X7★	32	3,251	3,256	.500	S	*481271	48
3,543	3,554	.276	-	-	-	3,251	3,256	.500	S	410519	41
90,00	90,10	7,00	S	1935★	47	3,251	3,256	.500	S	450519	45
3,543	3,554	.276	-	-	-	3,251	3,256	.500	H	*450519H	45
99,72	100,00	10,00	S	*63X100X10★	32	3,251	3,256	.500	N	*450519N	45
3,926	3,937	.394	-	-	-	3,251	3,256	.500	S	*470519	47
99,72	100,00	13,00	S	*63X100X13★	32	3,251	3,256	.500	S	*470519N	47
3,926	3,937	.512	-	-	-	3,251	3,256	.500	S	*480519	48
			-	-	-	3,251	3,256	.500	N	*480519N	48
			-	-	-	3,251	3,256	.500	V	*480519V	48
			-	-	-	3,303	3,307	.465	S	4250➔➔	74

SIZE SECTION

For Illustration and Material Data See Technical Section
 # Designed For A Specific Application - Not Recommended For General Use ➔ Hydrodynamic Lip Design-CW ◀➔ Hydrodynamic Lip Design-Bidirectional % External Bore
 & Flanged O.D. * Call 1-800-480-1212 For Price and Delivery ★ Metric Seal

Size Section

NATIONAL®



Hsg. Bore	Seal O.D.	Seal Width	Lip Mat'l	Part No.	Type/ Illus.
63,50mm (2.500") SHAFT					
84.72	85.00	12.00	S	*63.5X85X12★	32
3.335	3.346	.472			
2.500" (2-1/2") SHAFT					
3.350	3.355	.250	S	*40496S	4S
3.350	3.355	.468	S	*410496	41
3.350	3.355	.468	S	*450496	45
3.350	3.355	.468	S	*470496	47
3.350	3.355	.468	S	*480496	48
3.350	3.355	.468	N	*480496N	48
3.350	3.355	.718	S	*6860S	#
3.371	3.376	.375	S	*410605	41
3.371	3.376	.375	S	*450605	45
3.371	3.376	.375	H	*450605H	45
3.371	3.376	.375	S	*470605	47
3.371	3.376	.375	S	*480605	48
3.371	3.376	.468	S	*410330	41
3.371	3.376	.468	N	*410330N	41
3.371	3.376	.468	S	*450330	45
3.371	3.376	.468	H	*450330H	45
3.371	3.376	.468	S	*470330	47
3.371	3.376	.468	N	*470330N	47
3.371	3.376	.468	S	*480330	48
3.371	3.435	.500	L	80330%	8L
3.428	3.433	.375	S	*473274	47
3.428	3.433	.375	N	473274N	47
3.499	3.505	.500	V	3894V	48
3.500	3.504	.450	N	714670◀	47
3.500	3.505	.250	S	444042	44
3.500	3.505	.375	N	*415345N	41
3.500	3.505	.375	V	*415345V	41
3.500	3.505	.375	S	*415449	41
3.500	3.505	.375	A	415449A	41
3.500	3.505	.375	N	*415449N	41
3.500	3.505	.375	V	*415449V	41
3.500	3.505	.375	S	*455449	45
3.500	3.505	.375	S	*475449	47
3.500	3.505	.375	S	*485449	48
3.500	3.505	.500	H	*2279➔	47
3.500	3.505	.500	H	7581H&	48
3.500	3.505	.500	S	415147	41
3.500	3.505	.500	N	415147N	41
3.500	3.505	.500	S	455147	45
3.500	3.505	.500	H	*455147H	45
3.500	3.505	.500	N	*455147N	45
3.500	3.505	.500	S	*475147	47
3.500	3.505	.500	N	*475147N	47
3.500	3.505	.500	S	*485147	48
3.500	3.505	.540	S	*3707	47
3.500	3.505	.687	N	*7773N	#
3.500	3.510	.475	T	*712121	#
3.543	3.548	.500	S	*415001	41
3.543	3.548	.500	N	415001N	41
3.543	3.548	.500	S	455001	45
3.543	3.548	.500	S	475001	47
3.543	3.548	.500	N	*475001N	47
3.543	3.548	.500	S	*485001	48
3.548	3.553	.546	N	*2643N	#
3.623	3.628	.375	V	416273V	41
3.623	3.628	.375	S	*416273	41
3.623	3.628	.375	S	*456273	45
3.623	3.628	.375	S	*476273	47
3.623	3.628	.375	S	*486273	48
3.623	3.628	.468	S	*415369	41
3.623	3.628	.468	H	*415369H	41
3.623	3.628	.468	N	*415369N	41
3.623	3.628	.468	S	455369	45
3.623	3.628	.468	S	*475369	47
3.623	3.628	.468	N	*475369N	47
3.623	3.628	.468	S	*485369	48
3.750	3.759	.250	S	*345887	34

Hsg. Bore	Seal O.D.	Seal Width	Lip Mat'l	Part No.	Type/ Illus.
2.500" (2-1/2") SHAFT (cont.)					
3.751	3.756	.500	S	*415079	41
3.751	3.756	.500	S	*455079	45
3.751	3.756	.500	V	*455079V	45
3.751	3.756	.500	S	*475079	47
3.751	3.756	.500	S	*485079	48
3.876	3.881	.375	S	*446631	44
3.876	3.881	.468	S	*415082	41
3.876	3.881	.468	N	415082N	41
3.876	3.881	.468	S	*455082	45
3.876	3.881	.468	S	*475082	47
3.876	3.881	.468	S	*485082	48
4.003	4.008	.468	S	*2108	45
4.003	4.008	.468	S	*415655	41
4.003	4.008	.468	S	*455655	45
4.003	4.008	.468	S	*475655	47
4.003	4.008	.468	S	*485655	48
4.035	4.040	.634	V	4525V	87
4.035	4.042	.492	V	100727	#
4.250	4.260	.500	S	355732	35
4.500	6.125	.400	S	*7512S	51
4.500	6.125	.400	S	7512SSO	51
4.938	4.943	.500	N	3136N◀➔	47
2.503" SHAFT					
-	-	-	S	800650	VRS1
-	-	-	V	800654	VRS1
-	-	.500		99248	Redi-Sleeve
-	-	.555		99253	Redi-Sleeve
-	-	.781		99250	Redi-Sleeve
3.428	3.439	.709	V	4561V◀	#
3.428	3.439	.800	V	*714561◀	#
3.500	3.504	.450	N	*4670N◀	#
3.629	3.633	.900	N	*4624N&	86
3.629	3.633	.900	V	4624V&	86
2.512" SHAFT					
-	-	-	S	800650	VRS1
-	-	-	V	800654	VRS1
-	-	.781		*99251	Redi-Sleeve
3.506	3.510	.290	S	8975S	49
64,00mm (2.520") SHAFT					
-	-	-	S	800650	VRS1
-	-	-	V	800654	VRS1
76,00	76,20	7,00	S	710256★	#
2.992	3.000	.276			
77,00	77,20	8,00	S	710130★	#
3.031	3.039	.315			
79,72	80,00	12,00	S	*64X80X12★	32
3.139	3.150	.472			
79,72	80,00	13,00	S	*64X80X13★	32
3.139	3.150	.512			
80,00	80,20	8,00	H	226480★◀	33
3.150	3.157	.315			
80,00	80,28	8,00	S	64X80X8★	32
3.150	3.161	.315			
84,72	85,00	10,00	S	*64X85X10★	32
3.335	3.346	.394			
84,72	85,00	12,00	S	*64X85X12★	32
3.335	3.346	.472			
90,00	90,28	13,00	S	*64X90X13★	32
3.543	3.554	.512			
119,72	120,00	12,00	S	*64X120X12★	32
4.713	4.724	.472			
132,00	132,10	13,00	N	710277★	#
5.197	5.201	.512			

For Illustration and Material Data See Technical Section

Designed For A Specific Application - Not Recommended For General Use ➔ Hydrodynamic Lip Design-CW ◀ Hydrodynamic Lip Design-CCW

◀➔ Hydrodynamic Lip Design-Bidirectional % External Bore & Flanged O.D. * Call 1-800-480-1212 For Price and Delivery ★ Metric Seal

Hsg. Bore	Seal O.D.	Seal Width	Lip Mat'l	Part No.	Type/ Illus.	Hsg. Bore	Seal O.D.	Seal Width	Lip Mat'l	Part No.	Type/ Illus.
2.531" (2-17/32") SHAFT						65,00mm (2.559") SHAFT (cont.)					
-	-	-	S	800650	VRS1	89,72	90,00	12,00	S	*65X90X12★	32
-	-	-	V	800654	VRS1	3,532	3,543	.472			
4.540	6.125	.500	S	7154S	#	90,00	90,20	7,00	S	65X90X7★	32
2.556" SHAFT											
-	-	-	S	800650	VRS1	3,543	3,551	.276			
-	-	-	V	800654	VRS1	90,00	90,20	10,00	V	*65X90X10V★	32
-	-	.787		99254	Redi-Sleeve	3,543	3,551	.394			
3.937	3.942	.375	S	476514	47	90,00	90,28	10,00	S	226530★	35
65,00mm (2.559") SHAFT											
-	-	-	S	800650	VRS1	3,543	3,554	.394			
-	-	-	V	800654	VRS1	90,00	90,28	10,00	S	65X90X10★	32
-	-	.787		99254	Redi-Sleeve	3,543	3,554	.394			
74,75	75,00	8,00	S	*65X75X8★	32	94,72	95,00	10,00	S	*65X95X10★	32
2,943	2,953	.315				3,729	3,740	.394			
74,75	75,00	10,00	S	*65X75X10★	32	94,72	95,00	12,00	S	*65X95X12★	32
2,943	2,953	.394				3,729	3,740	.512			
74,75	75,00	12,00	S	*65X75X12★	32	95,00	95,20	7,00	S	65X95X7★	32
2,943	2,953	.472				3,740	3,748	.276			
77,72	78,00	12,00	S	*65X78X12★	32	95,00	95,20	8,00	S	*65X95X8★	32
3,060	3,071	.472				99,72	100,00	9,50	S	*65X100X9.5★	32
79,72	80,00	10,00	S	*65X80X10★	32	3,926	3,937	.374			
3,139	3,150	.394				99,72	100,00	12,00	S	*65X100X12★	32
79,72	80,00	12,00	S	*65X80X12★	32	3,926	3,937	.472			
3,139	3,150	.472				99,72	100,00	13,00	S	*65X100X13★	32
80,00	80,20	8,00	V	*65X80X8V★	32	3,926	3,937	.512			
3,150	3,157	.315				100,00	100,20	10,00	V	*65X100X10V★	35
80,00	80,28	8,00	S	65X80X8★	32	3,937	3,945	.394			
3,150	3,161	.315				100,00	100,28	10,00	S	65X100X10★	35
81,00	81,28	7,00	N	226510★➔	32	3,937	3,948	.394			
3,189	3,200	.276				100,00	100,30	7,00	S	65X100X7★	32
81,72	82,00	9,00	S	*65X82X9★	32	3,937	3,949	.276			
3,217	3,228	.354				101,72	102,00	13,00	S	*65X102X13★	32
81,72	82,00	12,00	S	*65X82X12★	32	4,005	4,016	.512			
3,217	3,228	.472				104,72	105,00	12,00	S	*65X105X12★	32
82,00	82,09	8,00	S	710094★	66	4,123	4,134	.472			
3,228	3,232	.315				105,00	105,20	8,00	S	*65X105X8★	32
82,00	82,20	8,00	S	*65X82X8★	32	4,134	4,142	.315			
3,228	3,236	.315				109,72	110,00	10,00	S	*65X110X10★	32
84,00	84,30	9,00	H	712005★➔	32	4,320	4,331	.394			
3,307	3,319	.354				109,72	110,00	12,00	S	*65X110X12★	32
84,72	85,00	12,00	S	*65X85X12★	32	4,320	4,331	.472			
3,335	3,346	.472				109,72	110,00	13,00	S	*65X110X13★	32
84,72	85,00	13,00	S	*65X85X13★	32	4,320	4,331	.512			
3,335	3,346	.512				110,00	110,20	8,00	S	*65X110X8★	32
85,00	85,10	10,00	S	710373★	47	4,331	4,339	.315			
3,346	3,350	.394				114,72	115,00	12,00	S	*65X115X12★	32
85,00	85,20	8,00	S	65X85X8★	35	4,517	4,528	.472			
3,346	3,354	.315				114,72	115,00	13,00	S	*65X115X13★	32
85,00	85,20	8,00	V	*65X85X8V★	35	4,517	4,528	.512			
3,346	3,354	.315				115,00	115,20	8,00	S	*65X115X8★	32
85,00	85,27	10,00	S	226520★	35	4,528	4,535	.315			
3,346	3,357	.394				119,72	120,00	13,00	S	*65X120X13★	32
85,00	85,27	10,00	S	65X85X10★	32	4,713	4,724	.512			
3,346	3,357	.394				120,00	120,20	8,00	S	*65X120X8★	32
87,72	88,00	12,00	S	*65X88X12★	32	4,724	4,732	.315			
3,454	3,465	.472				139,70	140,00	14,00	S	*65X140X14★	32
87,72	88,00	13,00	S	*65X88X13★	32	5,500	5,512	.551			
3,454	3,465	.512				2.561" SHAFT					
88,00	88,20	8,00	S	65X88X8★	35	.000	3,979	.532	S	710519	#
3,465	3,472	.315				2.562" (2-9/16") SHAFT					
88,00	88,20	10,00	S	65X88X10★	32	-	-	-	S	800650	VRS1
3,465	3,472	.394				-	-	-	V	800654	VRS1
88,00	88,20	12,00	S	710367★➔	40	-	-	.781		99256	Redi-Sleeve
3,465	3,472	.472									
89,72	90,00	8,00	S	*65X90X8★	32						
3,532	3,543	.315									

SIZE SECTION

For Illustration and Material Data See Technical Section
 # Designed For A Specific Application - Not Recommended For General Use ➔ Hydrodynamic Lip Design-CW * Call 1-800-480-1212 For Price and Delivery ★ Metric Seal

Size Section

NATIONAL®



Hsg. Bore	Seal O.D.	Seal Width	Lip Mat'l	Part No.	Type/ Illus.	Hsg. Bore	Seal O.D.	Seal Width	Lip Mat'l	Part No.	Type/ Illus.
2.562" (2-9/16") SHAFT (cont.)						2.625" (2-5/8") SHAFT (cont.)					
-	-	.787		99254	Redi-Sleeve	3.350	3.356	.468	S	*480329	48
3.090	3.095	.375	S	5123	280	3.350	3.356	.468	N	*480329N	48
3.371	3.376	.468	S	*470961	47	3.351	3.356	.500	S	*452624	45
3.481	3.486	.375	S	413479	41	3.371	3.376	.250	S	440511	44
3.481	3.486	.500	S	*450904	45	3.371	3.376	.375	S	413248	41
3.500	3.505	.375	S	415302	41	3.371	3.376	.375	S	*453248	45
3.500	3.505	.500	S	*415098	41	3.371	3.376	.375	S	*473248	47
3.500	3.505	.500	N	415098N	41	3.371	3.376	.375	S	*483248	48
3.500	3.505	.500	S	*455098	45	3.371	3.376	.468	S	*410626	41
3.500	3.505	.500	H	*455098H	45	3.371	3.376	.468	N	*410626N	41
3.500	3.505	.500	N	*455098N	45	3.371	3.376	.468	S	450626	45
3.500	3.505	.500	S	*475098	47	3.371	3.376	.468	S	*480626	48
3.543	3.548	.500	S	455311	45	3.374	3.379	.468	S	410708	41
3.623	3.628	.375	S	415988	41	3.375	3.390	.375	T	712101➔	FW-H
3.623	3.628	.468	S	*415002	41	3.481	3.486	.500	S	450412	45
3.623	3.628	.468	H	*415002H	41	3.484	3.489	.250	S	43077S	4S
3.623	3.628	.468	S	*455002	45	3.500	3.505	.375	S	415483	41
3.623	3.628	.468	S	*475002	47	3.500	3.505	.375	S	*455483	45
3.623	3.628	.468	N	*475002N	47	3.500	3.505	.375	S	*475483	47
3.623	3.628	.468	S	*485002	48	3.500	3.505	.375	S	*485483	48
3.623	3.628	.500	S	*456619	45	3.500	3.505	.500	S	*415368	41
3.624	3.629	.703	S	*415972	41	3.500	3.505	.500	N	*415368N	41
3.727	3.777	.490	S	9943%	Redi-Sleeve	3.500	3.505	.500	S	455368	45
3.750	3.756	.375	S	417481	41	3.500	3.505	.500	N	*455368N	45
3.750	3.756	.500	S	*455244	45	3.500	3.505	.500	S	*475368	47
3.751	3.756	.500	S	*415244	41	3.500	3.505	.500	N	475368N	47
3.751	3.756	.500	N	*415244N	41	3.500	3.505	.500	S	*485368	48
3.751	3.756	.500	H	*455244H	45	3.516	3.533	.394	T	712103➔	PDW
3.751	3.756	.500	N	*455244N	45	3.531	3.536	.812	S	*8561	2S
3.876	3.881	.468	S	455280	45	3.543	3.548	.375	S	417079	41
66,00mm (2.598") SHAFT						3.543	3.548	.500	S	*411475	41
-	-	-	S	800650	VRS1	3.543	3.548	.500	N	*411475N	41
-	-	-	V	800654	VRS1	3.543	3.548	.500	S	*451475	45
-	-	.781		99259	Redi-Sleeve	3.543	3.548	.500	S	*471475	47
80,00	80,11	9,00	N	226610★	41	3.543	3.548	.500	S	*481475	48
3.150	3.154	.354				3.623	3.628	.375	S	415458	41
85,00	85,12	10,00	S	710092★	41	3.623	3.628	.375	A	415458A	41
3.346	3.351	.394				3.623	3.628	.375	V	415458V	41
3.481	3.486	.500	S	411330	41	3.623	3.628	.375	S	*455458	45
3.481	3.486	.500	N	411330N	41	3.623	3.628	.375	S	475458	47
3.999	4.004	.730	S	*2177	#	3.623	3.628	.375	V	*475458V	47
3.999	4.004	.780	S	712598	47	3.623	3.628	.375	S	*485458	48
4.000	4.005	.500	S	477069	47	3.623	3.628	.468	V	*3440V	#
2.609" SHAFT						3.623	3.628	.468	S	415003	41
-	-	-	S	800650	VRS1	3.623	3.628	.468	N	*415003N	41
-	-	-	V	800654	VRS1	3.623	3.628	.468	N	*415003N	41
3.350	3.355	.375	S	*450725	45	3.623	3.628	.468	V	*415003V	41
3.350	3.355	.375	H	*450725H	45	3.623	3.628	.468	S	455003	45
3.350	3.355	.375	N	*450725N	45	3.623	3.628	.468	N	*455003N	45
2.625" (2-5/8") SHAFT						3.623	3.628	.468	S	*475003	47
-	-	-	S	800650	VRS1	3.623	3.628	.468	N	475003N	47
-	-	-	V	800654	VRS1	3.623	3.628	.468	S	485003	48
-	-	.500		99260	Redi-Sleeve	3.623	3.628	.468	V	*485003V	48
-	-	.781		99262	Redi-Sleeve	3.623	3.629	.500	S	*455911	45
-	-	.781		*99264	Redi-Sleeve	3.625	3.630	.600	N	*3350	#
-	5.030	.200	S	*6405	#	3.660	3.960	.320	S	*200919%	200E
3.251	3.256	.437	N	411143N	41	3.695	3.700	.500	H	3813	64
3.251	3.256	.437	S	451143	45	3.696	3.700	.500	T	41163T➔	FW-H
3.251	3.256	.437	N	*471143N	47	3.749	3.755	.586	S	*8020S	41
3.350	3.355	.375	S	412871	41	3.751	3.756	.375	S	417343	41
3.350	3.355	.453	F	*6081	29	3.751	3.756	.375	S	*457343	45
3.350	3.356	.468	S	450329	45	3.751	3.756	.375	S	*477343	47
3.350	3.356	.468	H	*450329H	45	3.751	3.756	.375	S	*487343	48
						3.751	3.756	.500	S	*415149	41
						3.751	3.756	.500	V	*415149V	41
						3.751	3.756	.500	S	*455149	45
						3.751	3.756	.500	S	*475149	47
						3.751	3.756	.500	N	*475149N	47
						3.751	3.756	.500	S	*485149	48
						3.751	3.756	.875	S	*75149S	7S
						3.813	3.818	.415	S	200392	200
						3.876	3.881	.437	S	*417483	41
						3.876	3.881	.468	S	415007	41

For Illustration and Material Data See Technical Section

Designed For A Specific Application - Not Recommended For General Use ➔ Hydrodynamic Lip Design-CW % External Bore * Call 1-800-480-1212 For Price and Delivery

★ Metric Seal

Hsg. Bore	Seal O.D.	Seal Width	Lip Mat'l	Part No.	Type/Illus.	Hsg. Bore	Seal O.D.	Seal Width	Lip Mat'l	Part No.	Type/Illus.
2.625" (2-5/8") SHAFT (cont.)						68,00mm (2.677") SHAFT (cont.)					
3.876	3.881	.468	S	*455007	45	89,72	90,00	8,00	S	*68X90X8★	32
3.876	3.881	.468	S	*475007	47	3.532	3.543	.315			
3.876	3.881	.468	S	*485007	48	89,72	90,00	12,00	S	*68X90X12★	32
4.003	4.008	.375	S	417082	41	3.532	3.543	.472			
4.003	4.008	.375	S	*487082	48	89,72	90,00	13,00	S	*68X90X13★	32
4.003	4.008	.468	S	*415296	41	3.532	3.543	.512			
4.003	4.008	.468	N	*415296N	41	90,00	90,10	12,00	S	710440★	47
4.003	4.008	.468	S	*455296	45	3.543	3.547	.472			
4.003	4.008	.468	S	*475296	47	90,00	90,15	10,00	T	712108★➔	FW-H
4.003	4.008	.468	S	*485296	48	3.543	3.549	.394			
4.064	4.069	.960	N	712625	90	90,00	90,20	7,00	S	68X90X7★	32
4.064	4.069	.990	N	*4037	#	3.543	3.551	.276			
4.249	4.254	.468	S	416278	41	90,00	90,20	10,00	V	*68X90X10V★	32
4.252	4.256	1.156	S	*6982S	#	3.543	3.551	.394			
4.376	4.381	.500	V	*477586V	47	90,00	90,32	10,00	S	68X90X10★	32
4.437	4.441	.437	S	418027	41	3.543	3.556	.394			
4.564	4.568	.718	N	9773&	74	94,72	95,00	13,00	S	*68X95X13★	32
2.634" SHAFT						68,00mm (2.638") SHAFT					
-	-	-	S	800650	VRS1	3.729	3.740	.512			
-	-	-	V	800654	VRS1	95,00	95,20	8,00	S	*68X95X8★	32
3.937	3.942	.375	S	*487658	48	3.740	3.748	.315			
2.640" SHAFT						2.640" SHAFT					
-	-	-	S	800650	VRS1	95,00	95,20	10,00	S	68X95X10★	35
-	-	-	V	800654	VRS1	3.740	3.748	.394			
4.450	4.490	.250	S	*6846S	#	95,00	95,28	7,00	S	68X95X7★	32
2.648" SHAFT						2.648" SHAFT					
-	-	-	S	800650	VRS1	3.740	3.751	.276			
-	-	-	V	800654	VRS1	95,00	95,30	13,00	V	226840★	#
3.812	3.817	.500	S	486857	48	3.740	3.752	.512			
2.667" SHAFT						2.667" SHAFT					
-	-	-	S	800650	VRS1	97,72	98,00	10,00	S	*68X98X10★	32
-	-	-	V	800654	VRS1	3.847	3.858	.394			
3.751	3.756	.500	L	7780	4L	99,72	100,00	12,00	S	*68X100X12★	32
3.751	3.756	.500	L	7780N	4L	3.926	3.937	.472			
3.751	3.756	.500	S	*447441	44	100,00	100,20	10,00	S	68X100X10★	35
68,00mm (2.677") SHAFT						68,00mm (2.677") SHAFT					
-	-	-	S	800650	VRS1	3.937	3.945	.394			
-	-	-	V	800654	VRS1	100,00	100,28	7,00	S	68X100X7★	32
82,00	82,20	7,00	S	68X82X7★	32	3.937	3.948	.276			
3.228	3.236	.276				100,00	100,28	13,00	S	68X100X13★	32
82,00	82,20	7,00	S	710378★	35	3.937	3.948	.512			
3.228	3.236	.276				124,00	124,10	12,00	N	710275★◀	40
84,00	84,23	8,50	N	710234★◀	32	4.882	4.886	.472			
3.307	3.316	.335				2.687" (2-11/16") SHAFT					
84,72	85,00	10,00	S	*68X85X10★	32	-	-	-	S	800700	VRS1
3.335	3.346	.394				-	-	-	V	800704	VRS1
85,00	85,20	8,00	S	68X85X8★	35	3.062	3.062	.187	S	*6542%	36
3.346	3.354	.315				3.251	3.256	.578	S	*6532S	273
86,00	86,20	8,00	N	710334★◀	32	3.500	3.505	.500	S	455434	45
3.386	3.394	.315				3.751	3.756	.500	S	455151	45
86,00	86,31	8,00	H	226820★➔	32	3.751	3.756	.500	S	*485151	48
3.386	3.398	.315				3.876	3.876	.250	S	365008%	36
88,00	88,20	8,00	S	*68X88X8★	32	3.876	3.881	.468	S	455008	45
3.465	3.472	.315				2.700" SHAFT					
88,00	88,20	8,00	S	710446★➔	35	-	-	-	S	800700	VRS1
3.465	3.472	.315				-	-	-	V	800704	VRS1
89,00	89,20	11,00	V	712511★➔	32	3.499	3.504	.462	S	710091&	272
3.504	3.512	.433				69,00mm (2.717") SHAFT					
2.735" SHAFT						2.735" SHAFT					
-	-	-	S	800700	VRS1	-	-	-	S	800700	VRS1
-	-	-	V	800704	VRS1	-	-	-	V	800704	VRS1
3.415	-	.188	U	710039	#	91,72	92,00	12,00	S	*69X92X12★	32
2.740" SHAFT						2.740" SHAFT					
3.937	3.942	.565	S	*370155A	06	3.611	3.622	.472			

SIZE SECTION

For Illustration and Material Data See Technical Section
 # Designed For A Specific Application - Not Recommended For General Use ➔ Hydrodynamic Lip Design-CW ◀ Hydrodynamic Lip Design-CCW % External Bore
 & Flanged O.D. * Call 1-800-480-1212 For Price and Delivery ★ Metric Seal

Size Section

NATIONAL®



Hsg. Bore	Seal O.D.	Seal Width	Lip Mat'l	Part No.	Type/ Illus.	Hsg. Bore	Seal O.D.	Seal Width	Lip Mat'l	Part No.	Type/ Illus.
2.748" SHAFT						2.750" (2-3/4") SHAFT (cont.)					
-	-	-	S	800700	VRS1	3.623	3.628	.468	V	*455315V	45
-	-	-	V	800704	VRS1	3.623	3.628	.468	S	*475315	47
-	-	.781		*99270	Redi-Sleeve	3.623	3.628	.468	S	*485315	48
-	-	.781		99274	Redi-Sleeve	3.623	3.628	.500	S	*456876	45
-	-	1.438		99267	Redi-Sleeve	3.750	3.754	.500	U	710010	#
3.543	3.555	.591	N	4874N◀	#	3.751	3.756	.250	S	46997S	4S
3.876	3.886	.552	V	4564V▶	#	3.751	3.756	.375	V	417316V	41
3.881	3.885	.464	S	710174	47	3.751	3.756	.375	S	*417316	41
3.937	3.942	.305	S	*200122	200	3.751	3.756	.375	N	*417316N	41
5.500	5.512	.850	N	4876N▶	#	3.751	3.756	.375	S	*457316	45
2.750" (2-3/4") SHAFT						3.751	3.756	.375	S	*477316	47
-	-	-	S	800700	VRS1	3.751	3.756	.375	H	*477316H	47
-	-	-	V	800704	VRS1	3.751	3.756	.375	S	*487316	48
-	-	.406		99272	Redi-Sleeve	3.751	3.756	.437	S	*415733	41
-	-	.781		*99270	Redi-Sleeve	3.751	3.756	.437	S	*475733	47
-	-	.781		99274	Redi-Sleeve	3.751	3.756	.437	S	*475733	47
-	-	.781		99275	Redi-Sleeve	3.751	3.756	.500	S	*415004	41
-	-	1.125		99269	Redi-Sleeve	3.751	3.756	.500	H	*415004H	41
-	-	1.438		99267	Redi-Sleeve	3.751	3.756	.500	N	*415004N	41
-	6.200	.700	S	6643S	52	3.751	3.756	.500	V	415004V	41
3.125	3.130	.187	S	310841	31	3.751	3.756	.500	S	455004	45
3.250	-	.312	U	710038	#	3.751	3.756	.500	H	*455004H	45
3.481	3.486	.500	S	480491	48	3.751	3.756	.500	N	*455004N	45
3.500	3.505	.250	S	*315364	31	3.751	3.756	.500	H	*455004H	45
3.500	3.505	.250	H	*315364H	31	3.751	3.756	.500	N	*455004N	45
3.500	3.505	.375	V	416664V	41	3.751	3.756	.500	S	*475004	47
3.500	3.505	.375	S	*416664	41	3.751	3.756	.500	H	475004H	47
3.500	3.505	.375	S	*456664	45	3.751	3.756	.500	N	*475004N	47
3.500	3.505	.375	S	*476664	47	3.751	3.756	.500	S	*485004	48
3.500	3.505	.375	S	*486664	48	3.773	3.781	.435	S	2222&	286
3.500	3.505	.500	S	*415364	41	3.779	3.784	.762	S	710395	06
3.500	3.505	.500	H	*415364H	41	3.779	3.792	.767	S	370352A	08
3.500	3.505	.500	S	455364	45	3.846	3.928	.290	S	200942%	200E
3.500	3.505	.500	N	*455364N	45	3.876	3.881	.375	S	*415960	41
3.500	3.505	.500	S	*475364	47	3.876	3.881	.375	S	*455960	45
3.500	3.505	.500	S	*485364	48	3.876	3.881	.375	S	*475960	47
3.500	3.505	.500	H	*485364H	48	3.876	3.881	.468	S	*485960	48
3.500	3.505	.500	N	*485364N	48	3.876	3.881	.468	N	415009N	41
3.500	3.505	.500	S	*455364	45	3.876	3.881	.468	S	455009	45
3.500	3.505	.500	S	*475364	47	3.876	3.881	.468	N	*455009N	45
3.500	3.505	.500	H	*485364H	48	3.876	3.881	.468	N	*475009	47
3.500	3.505	.500	N	*485364N	48	3.876	3.881	.468	N	475009N	47
3.500	3.505	.500	S	*455364	45	3.876	3.881	.468	S	*485009	48
3.500	3.505	.500	S	*475364	47	3.876	3.882	.500	S	*455719	45
3.500	3.505	.500	H	*485364H	48	3.935	3.940	.500	S	55469	5L
3.500	3.505	.500	N	*485364N	48	3.937	3.942	.500	N	476574N	47
3.500	3.505	.567	N	*256936N	25	4.003	4.008	.375	S	*416706	41
3.500	3.505	.567	N	*256936N	25	4.003	4.008	.375	H	*416706H	41
3.501	3.505	.250	S	45827S	4S	4.003	4.008	.375	N	*476706N	47
3.538	3.543	.437	S	*457291	45	4.003	4.008	.468	S	*415272	41
3.538	3.543	.500	S	*455872	45	4.003	4.008	.468	N	415272N	41
3.538	3.543	.500	V	*455872V	45	4.003	4.008	.468	S	*455272	45
3.543	3.548	.375	S	417484	41	4.003	4.008	.468	S	*475272	47
3.543	3.548	.375	N	*417484N	41	4.003	4.008	.468	N	*475272N	47
3.543	3.548	.500	V	4492	#	4.003	4.008	.468	N	*475272N	47
3.543	3.548	.500	S	415322	41	4.003	4.008	.468	S	*485272	48
3.543	3.548	.500	N	*415322N	41	4.003	4.008	.500	V	*4490	#
3.543	3.548	.500	V	415322V	41	4.125	4.130	.437	N	*487678N	48
3.543	3.548	.500	S	455322	45	4.125	4.130	.562	N	*456281N	45
3.543	3.548	.500	N	455322N	45	4.125	4.130	.562	S	476281	47
3.543	3.548	.500	V	455322V	45	4.125	4.130	.562	N	*476281N	47
3.543	3.548	.500	V	455322V	45	4.125	4.130	.562	N	*486281N	48
3.543	3.548	.500	S	*475322	47	4.125	4.130	.562	V	*486281V	48
3.543	3.548	.500	N	475322N	47	4.249	4.254	.468	S	*416282	41
3.543	3.548	.500	S	*485322	48	4.249	4.254	.468	S	*456282	45
3.543	3.549	.500	V	*100266V◀	#	4.249	4.254	.468	S	*476282	47
3.623	3.628	.375	S	*415984	41	4.249	4.254	.500	S	*416283	41
3.623	3.628	.375	S	*455984	45	4.249	4.254	.500	S	*476283	47
3.623	3.628	.375	S	*475984	47	4.249	4.254	.500	N	476283N	47
3.623	3.628	.375	N	*475984N	47	4.249	4.254	.625	S	*415101	41
3.623	3.628	.375	S	*485984	48	4.331	4.336	.500	S	*416961	41
3.623	3.628	.468	S	*415315	41	4.331	4.336	.500	N	*416961N	41
3.623	3.628	.468	N	*415315N	41	4.375	4.380	.625	N	*487384N	48
3.623	3.628	.468	S	*455315	45	4.500	4.505	.468	S	454088	45
3.623	3.628	.468	N	*455315N	45	4.626	4.631	.625	N	*475139N	47

For Illustration and Material Data See Technical Section

Designed For A Specific Application - Not Recommended For General Use ▶ Hydrodynamic Lip Design-CW ◀ Hydrodynamic Lip Design-CCW % External Bore & Flanged O.D. * Call 1-800-480-1212 For Price and Delivery

Hsg. Bore	Seal O.D.	Seal Width	Lip Mat'l	Part No.	Type/Illus.	Hsg. Bore	Seal O.D.	Seal Width	Lip Mat'l	Part No.	Type/Illus.
2.750" (2-3/4") SHAFT (cont.)						70,00mm (2.756") SHAFT (cont.)					
4.999	5.004	.468	L	55238	5L	95,00	95,28	13,00	S	70X95X13★	35
5.500	5.506	.500	N	417986N	41	3.740	3.751	.512			
5.501	5.506	1.266	N	3591	90	99,72	100,00	12,00	S	*70X100X12★	32
2.752" SHAFT											
3.937	3.942	.565	S	*370127A	#	3.926	3.937	.472			
70,00mm (2.756") SHAFT											
-	-	-	S	800700	VRS1	99,72	100,00	14,00	S	*70X100X14★	32
-	-	-	V	800704	VRS1	3.926	3.937	.551			
-	-	.406		99272	Redi-Sleeve	100,00	100,20	10,00	S	70X100X10★	32
-	-	.781		99275	Redi-Sleeve	3.937	3.945	.394			
-	-	.787		99276	Redi-Sleeve	100,00	100,20	10,00	V	*70X100X10V★	35
-	-	1.125		99269	Redi-Sleeve	3.937	3.945	.394			
79,72	80,00	10,00	S	*70X80X10★	32	100,00	100,20	10,00	S	70X100X13★	32
3.139	3.150	.394				3.937	3.945	.394			
82,72	83,00	10,00	S	*70X83X10★	32	101,60	101,83	11,91	T	40392★◀	FW-H
3.257	3.268	.394				4.000	4.009	.469			
84,72	85,00	9,00	S	*70X85X9★	32	101,72	102,00	13,00	S	*70X102X13★	32
3.335	3.346	.354				4.005	4.016	.512			
84,72	85,00	10,00	S	*70X85X10★	32	104,72	105,00	12,00	S	*70X105X12★	32
3.335	3.346	.394				4.123	4.134	.472			
85,00	85,28	8,00	S	70X85X8★	35	105,00	105,20	10,00	S	*70X105X10★	32
3.346	3.357	.315				4.134	4.142	.394			
86,72	87,00	10,00	S	*70X87X10★	32	105,00	105,20	13,00	S	70X105X13★	35
3.414	3.425	.394				4.134	4.142	.512			
87,00	87,40	8,50	V	1021★◀	32	105,00	105,30	7,00	S	70X105X7★	32
3.425	3.441	.335				4.134	4.146	.276			
87,00	87,40	8,50	V	1021V★◀	32	109,72	110,00	12,00	S	*70X110X12★	32
3.425	3.441	.335				109,72	110,00	13,00	S	*70X110X13★	32
87,72	88,00	10,00	S	*70X88X10★	32	4.320	4.331	.472			
3.454	3.465	.394				109,72	110,00	13,00	S	*70X110X13★	32
88,00	88,20	9,00	V	*70X88X9V★	35	4.320	4.331	.512			
3.465	3.472	.354				110,00	110,20	10,00	S	70X110X10★	35
88,00	88,25	8,00	S	70X88X8★	48	4.331	4.339	.394			
3.465	3.474	.315				111,72	112,00	13,00	S	*70X112X13★	32
88,00	88,25	12,00	S	70X88X12★	32	4.398	4.409	.512			
3.465	3.474	.472				112,00	112,10	14,00	S	710339★	25
88,00	88,25	12,00	H	227020★◀	32	4.409	4.413	.551			
3.465	3.474	.472				114,72	115,00	13,00	S	*70X115X13★	32
89,72	90,00	8,00	S	*70X90X8★	32	114,72	115,00	15,00	S	*70X115X15★	32
3.532	3.543	.315				4.517	4.528	.591			
89,72	90,00	12,00	S	*70X90X12★	32	119,72	120,00	13,00	S	*70X120X13★	32
3.532	3.543	.472				4.713	4.724	.512			
89,72	90,00	13,00	S	*70X90X13★	32	71,00mm (2.795") SHAFT					
3.532	3.543	.512				87,72	88,00	8,00	S	*71X88X8★	32
90,00	90,20	7,00	S	70X90X7★	32	3.454	3.465	.315			
3.543	3.551	.276				2.812" (2-13/16") SHAFT					
90,00	90,20	10,00	V	*70X90X10V★	32	-	-	-	S	800700	VRS1
3.543	3.551	.394				-	-	-	V	800704	VRS1
90,00	90,32	10,00	S	70X90X10★	32	-	-	.594		99281	Redi-Sleeve
3.543	3.556	.394				3.500	3.510	.430	S	*325978	32
90,00	90,32	10,00	H	227040★◀	35	3.751	3.756	.500	S	455005	45
3.543	3.556	.394				3.751	3.756	.500	N	*455005N	45
90,00	90,40	10,00	S	*1162★	35	3.876	3.881	.437	S	417485	41
3.543	3.559	.394				4.003	4.008	.468	S	*455384	45
92,00	92,15	11,90	H	*477936H★	47	4.003	4.008	.468	S	475384	47
3.622	3.628	.469				4.176	4.181	.551	S	*4176	#
92,00	92,20	12,00	S	70X92X12★	32	4.249	4.254	.468	S	411348	41
3.622	3.630	.472				2.832" SHAFT					
92,00	92,23	12,00	H	227045★	32	-	-	-	S	800700	VRS1
3.622	3.631	.472				-	-	-	V	800704	VRS1
94,72	95,00	12,00	S	*70X95X12★	32	3.625	3.635	.374	V	710075◀	32
3.729	3.740	.472				72,00mm (2.835") SHAFT					
95,00	95,20	10,00	V	*70X95X10V★	35	-	-	-	S	800700	VRS1
3.740	3.748	.394				-	-	-	V	800704	VRS1
95,00	95,28	10,00	S	70X95X10★	32	0,00	94,20	10,40	S	710456★	#
3.740	3.751	.394				.000	3.709	.409			

SIZE SECTION

For Illustration and Material Data See Technical Section
 # Designed For A Specific Application - Not Recommended For General Use ◀ Hydrodynamic Lip Design-CCW * Call 1-800-480-1212 For Price and Delivery ★ Metric Seal

Size Section

NATIONAL®

Hsg. Bore	Seal O.D.	Seal Width	Lip Mat'l	Part No.	Type/ Illus.	Hsg. Bore	Seal O.D.	Seal Width	Lip Mat'l	Part No.	Type/ Illus.
72,00mm (2.835") SHAFT (cont.)						2.875" (2-7/8") SHAFT (cont.)					
85.72	86.00	7.50	S	*72X86X7.5★	32	3.623	3.628	.500	H	3783	65
3.375	3.386	.295				3.623	3.628	.500	T	39802➔	FW-H
88.00	88.25	8.00	S	1986★	48	3.740	3.746	.551	V	*488020V	48
3.465	3.474	.315				3.750	3.755	.500	T	41536➔	PDW
89.72	90.00	8.00	S	*72X90X8★	32	3.750	3.755	.500	T	41537➔	PDW
3.532	3.543	.315				3.751	3.756	.375	S	417344	41
90.00	90.20	10.00	S	72X90X10★	35	3.751	3.756	.375	S	*457344	45
3.543	3.551	.394				3.751	3.756	.375	S	*477344	47
91.72	92.00	12.00	S	*72X92X12★	32	3.751	3.756	.375	V	*477344V	47
3.611	3.622	.472				3.751	3.756	.375	S	*487344	48
93.72	94.00	12.00	S	*72X94X12★	32	3.751	3.756	.375	V	487344V	48
3.690	3.701	.472				3.751	3.756	.500	S	*9711	41
94.72	95.00	12.00	S	*72X95X12★	32	3.751	3.756	.500	S	*415006	41
3.729	3.740	.472				3.751	3.756	.500	N	*415006N	41
94.72	95.00	13.00	S	*72X95X13★	32	3.751	3.756	.500	V	*415006V	41
3.729	3.740	.512				3.751	3.756	.500	S	455006	45
95.00	95.28	10.00	S	72X95X10★	32	3.751	3.756	.500	N	455006N	45
3.740	3.751	.394				3.751	3.756	.500	S	*475006	47
96.00	96.28	9.00	H	227235★➔	32	3.751	3.756	.500	N	*475006N	47
3.780	3.791	.354				3.751	3.756	.500	S	*485006	48
100.00	100.20	10.00	S	72X100X10★	35	3.875	3.880	.515	S	9864S&	57
3.937	3.945	.394				3.875	3.889	.500	S	370150A	07
100.00	100.31	12.00	S	72X100X12★➔➔	32	3.876	3.881	.375	S	417158	41
3.937	3.949	.472				3.876	3.881	.375	S	*457158	45
104.72	105.00	13.00	S	*72X105X13★	32	3.876	3.881	.375	S	*477158	47
4.123	4.134	.512				3.876	3.881	.375	V	*477158V	47
105.00	105.20	10.00	S	*72X105X10★	32	3.876	3.881	.375	S	*487158	48
4.134	4.142	.394				3.876	3.881	.468	V	*2278	#
110.00	110.20	10.00	S	*72X110X10★	32	3.876	3.881	.468	S	*3339	44
4.331	4.339	.394				3.876	3.881	.468	S	*415355	41
						3.876	3.881	.468	N	*415355N	41
						3.876	3.881	.468	S	455355	45
						3.876	3.881	.468	S	*475355	47
						3.876	3.881	.468	S	*485355	48
						4.003	4.008	.250	S	*4012	#
		.500		99282	Redi-Sleeve	4.003	4.008	.250	S	43086S	4S
3.939	3.944	.495	S	2081➔➔	41	4.003	4.008	.375	S	416921	41
3.939	3.944	.500	S	*55511S	5S	4.003	4.008	.375	S	*456921	45
3.939	3.944	.500	S	*455511	45	4.003	4.008	.375	S	*476921	47
4.003	4.008	.500	V	456837V	45	4.003	4.008	.375	S	*486921	48
4.501	4.506	.375	S	*456111	45	4.003	4.008	.468	V	*3441V	#
						4.003	4.008	.468	S	*415011	41
						4.003	4.008	.468	H	*415011H	41
						4.003	4.008	.468	N	*415011N	41
						4.003	4.008	.468	S	455011	45
						4.003	4.008	.468	N	*455011N	45
	6.460	.520	S	*6479	#	4.003	4.008	.468	V	*455011V	45
						4.003	4.008	.468	S	*475011	47
						4.003	4.008	.468	S	*485011	48
						4.003	4.008	.468	N	*485011N	48
						4.003	4.008	.500	S	*456886	45
						4.125	4.130	.375	S	417134	41
		.781		99287	Redi-Sleeve	4.125	4.130	.375	S	*457134	45
86.00	86.28	5.00	S	239129★	#	4.125	4.130	.562	S	*415152	41
3.386	3.397	.197				4.125	4.130	.562	S	*455152	45
						4.125	4.130	.562	S	*475152	47
						4.125	4.130	.562	S	*485152	48
						4.125	4.130	.812	S	6780S	21
						4.125	4.130	.842	S	370010A	01
						4.175	4.180	.812	S	2674	89
		.781		99287	Redi-Sleeve	4.175	4.181	.822	S	370054A	03
3.540	3.548	.315	S	474230	47	4.249	4.254	.500	S	416285	41
3.623	3.628	.375	S	415303	41	4.249	4.254	.625	S	*416286	41
3.623	3.628	.375	S	*455303	45	4.249	4.254	.625	S	*476286	47
3.623	3.628	.375	S	*475303	47	4.249	4.254	.625	S	*486286	48
3.623	3.628	.375	S	*485303	48	4.331	4.336	.500	H	*416426H	41
3.623	3.628	.375	N	*485303N	48	4.331	4.336	.500	N	*416426N	41
3.623	3.628	.468	S	*416275	41	4.335	4.340	.437	F	*295113	29
3.623	3.628	.468	N	*416275N	41	4.335	4.340	.437	S	455310	45
3.623	3.628	.468	S	*455250	45	4.335	4.340	.437	V	*455310V	45
3.623	3.628	.468	N	*455250N	45	4.376	4.381	.625	S	455556	45

For Illustration and Material Data See Technical Section

Designed For A Specific Application - Not Recommended For General Use ➔ Hydrodynamic Lip Design-CW ➔ Hydrodynamic Lip Design-CCW

➔➔ Hydrodynamic Lip Design-Bidirectional & Flanged O.D. * Call 1-800-480-1212 For Price and Delivery ★ Metric Seal

Hsg. Bore	Seal O.D.	Seal Width	Lip Mat'l	Part No.	Type/Illus.	Hsg. Bore	Seal O.D.	Seal Width	Lip Mat'l	Part No.	Type/Illus.
2.875" (2-7/8") SHAFT (cont.)						2.937" (2-15/16") SHAFT (cont.)					
4.499	4.504	.468	S	*415144	41	4.003	4.008	.468	N	475012N	47
4.499	4.504	.468	S	*455144	45	4.003	4.008	.625	N	*35012N	43
4.499	4.504	.468	S	*475144	47	4.003	4.008	.625	S	*417730	41
4.499	4.504	.468	S	*485144	48	4.003	4.008	.697	V	*3623	#
4.500	4.505	.406	F	*296121	29	4.125	4.130	.375	S	*417486	41
2.882" SHAFT						4.125	4.130	.562	S	*455153	45
-	-	-	S	800750	VRS1	4.249	4.254	.625	N	*475348N	47
-	-	-	S	800751	VRS2	4.250	4.254	.468	S	416775	41
-	-	-	V	800754	VRS1	4.499	4.504	.468	S	*415356	41
-	-	-	V	800755	VRS2	4.499	4.504	.468	N	*415356N	41
3.431	3.436	.291	S	4122	47	4.499	4.504	.468	V	*415356V	41
3.431	3.436	.291	S	470547	47	4.499	4.504	.468	S	*455356	45
74,00mm (2.913") SHAFT						4.939	4.944	1.250	N	*4035N	90
-	-	-	S	800750	VRS1	4.939	4.944	1.250	N	712937	90
-	-	-	S	800751	VRS2	2.938" SHAFT					
-	-	-	V	800754	VRS1	-	-	-	S	800750	VRS1
-	-	-	V	800755	VRS2	-	-	-	S	800751	VRS2
89.72	90.00	10.00	S	*74X90X10★	32	-	-	-	V	800754	VRS1
3.532	3.543	.394				-	-	.500		800755	VRS2
90.00	90.15	10.00	H	227409★◀	32	-	-	.781		99290	Redi-Sleeve
3.543	3.549	.394				-	-			99293	Redi-Sleeve
93.72	94.00	10.00	S	*74X94X10★	32	3.750	3.765	.530	S	*370223A	#
3.690	3.701	.394				3.937	3.947	.552	V	4563V▶	#
94.72	95.00	7.00	S	*74X95X7★	32	4.003	4.008	.619	N	*4143N	#
3.729	3.740	.276				2.948" SHAFT					
98.00	98.20	12.00	H	227410★▶	32	4.725	4.738	.526	S	370211A	07
3.858	3.866	.472				2.950" SHAFT					
99.72	100.00	13.00	S	*74X100X13★	32	-	-	-	S	800750	VRS1
3.926	3.937	.512				-	-	-	S	800751	VRS2
2.930" SHAFT						-	-	-	V	800754	VRS1
-	-	-	S	800750	VRS1	-	-	-	V	800755	VRS2
-	-	-	S	800751	VRS2	-	-	.594		*99289	Redi-Sleeve
-	-	-	V	800754	VRS1	-	-	.866		99294	Redi-Sleeve
-	-	-	V	800755	VRS2	3.741	3.752	.394	S	354967	35
4.375	4.380	1.120	S	*396487	#	4.527	4.533	.375	S	*476515	47
2.937" (2-15/16") SHAFT						75,00mm (2.953") SHAFT					
-	-	-	S	800750	VRS1	-	-	-	S	800750	VRS1
-	-	-	S	800751	VRS2	-	-	-	S	800751	VRS2
-	-	-	V	800754	VRS1	-	-	-	V	800754	VRS1
-	-	-	V	800755	VRS2	-	-	-	V	800755	VRS2
-	-	.500		99290	Redi-Sleeve	-	-	.594		*99289	Redi-Sleeve
-	-	.781		99293	Redi-Sleeve	-	-	.866		99294	Redi-Sleeve
3.751	3.756	.375	S	*416956	41	83.00	87.00	4.00	S	710240★%	#
3.751	3.756	.500	S	*455383	45	3.268	3.425	.157			
3.876	3.881	.375	V	417159V	41	89.72	90.00	12.00	S	*75X90X12★	32
3.876	3.881	.375	S	*417159	41	3.532	3.543	.472			
3.876	3.881	.468	S	*415347	41	90.00	90.20	8.00	S	75X90X8★	32
3.876	3.881	.468	N	*415347N	41	3.543	3.551	.315			
3.876	3.881	.468	S	*455347	45	90.00	90.25	10.00	S	75X90X10★	32
3.937	3.942	.500	N	35949N	41	3.543	3.553	.394			
3.937	3.942	.500	S	*416500	41	91.72	92.00	12.00	S	*75X92X12★	32
3.937	3.942	.500	N	*416500N	41	3.611	3.622	.472			
3.937	3.942	.500	S	*456500	45	93.00	93.12	8.00	T	39804★▶	FW-H
3.937	3.942	.500	S	*476500	47	3.661	3.666	.315			
3.937	3.942	.500	N	476500N	47	94.72	95.00	8.00	S	*75X95X8★	32
4.003	4.008	.375	S	*416654	41	3.729	3.740	.315			
4.003	4.008	.375	N	*476654N	47	94.72	95.00	12.00	S	*75X95X12★	32
4.003	4.008	.468	S	*415012	41	3.729	3.740	.472			
4.003	4.008	.468	N	*415012N	41	94.72	95.00	13.00	S	*75X95X13★	32
4.003	4.008	.468	V	415012V	41	3.729	3.740	.512			
4.003	4.008	.468	S	455012	45						
4.003	4.008	.468	N	*455012N	45						
4.003	4.008	.468	V	*455012V	45						
4.003	4.008	.468	S	*475012	47						

SIZE SECTION

For Illustration and Material Data See Technical Section
 # Designed For A Specific Application - Not Recommended For General Use ▶ Hydrodynamic Lip Design-CW ◀ Hydrodynamic Lip Design-CCW % External Bore
 * Call 1-800-480-1212 For Price and Delivery ★ Metric Seal

Size Section

NATIONAL®

Hsg. Bore	Seal O.D.	Seal Width	Lip Mat'l	Part No.	Type/ Illus.
75,00mm (2.953") SHAFT (cont.)					
95,00	95,20	10,00	V	*75X95X10V★	32
3,740	3,748	.394			
95,00	95,28	10,00	S	227530★	35
3,740	3,751	.394			
95,00	95,28	10,00	S	75X95X10★	32
3,740	3,751	.394			
95,00	95,27	10,00	V	716445★	35
3,740	3,751	.394			
99,72	100,00	13,00	S	*75X100X13★	32
3,926	3,937	.512			
100,00	100,10	13,00	S	710384★	25
3,937	3,941	.512			
100,00	100,20	10,00	S	75X100X10★	32
3,937	3,945	.394			
100,00	100,20	10,00	V	*75X100X10V★	32
3,937	3,945	.394			
100,00	100,20	12,00	S	227540★	32
3,937	3,945	.472			
100,00	100,27	12,00	S	75X100X12★	32
3,937	3,948	.472			
100,00	100,27	13,00	H	227550★◀	32
3,937	3,948	.472			
101,72	102,00	13,00	S	*75X102X13★	32
4,005	4,016	.512			
104,72	105,00	15,00	S	*75X105X15★	32
4,123	4,134	.591			
105,00	105,27	13,00	S	75X105X13★	32
4,134	4,144	.512			
105,72	106,00	10,00	S	*75X106X10★	32
4,162	4,173	.394			
109,72	110,00	13,00	S	*75X110X13★	32
4,320	4,331	.512			
110,00	110,20	10,00	S	*75X110X10★	32
4,331	4,339	.394			
110,00	110,20	12,00	S	75X110X12★	32
4,331	4,339	.472			
112,00	112,10	10,00	S	710376★	#
4,409	4,413	.394			
112,00	112,17	10,00	S	710087★	45
4,409	4,416	.394			
114,72	115,00	9,50	S	*75X115X9.5★	32
4,517	4,528	.374			
114,72	115,00	13,00	S	*75X115X13★	32
4,517	4,528	.512			
115,00	115,20	10,00	S	*75X115X10★	32
4,528	4,535	.394			
115,00	115,30	12,00	S	75X115X12★	35
4,528	4,539	.472			
119,72	120,00	12,00	S	*75X120X12★	32
4,713	4,724	.472			
120,00	120,12	8,13	S	200322★	200
4,724	4,729	.320			
120,00	120,20	10,00	S	75X120X10★	32
4,724	4,732	.394			
133,70	134,00	10,00	S	*75X134X10★	32
5,264	5,276	.394			
2.988" SHAFT					
-	-	-	S	800750	VRS1
-	-	-	S	800751	VRS2
-	-	-	V	800754	VRS1
-	-	-	V	800755	VRS2
3,740	3,748	.374	H	3698◀	32
2.991" SHAFT					
-	-	-	S	800750	VRS1
-	-	-	S	800751	VRS2
-	-	-	V	800754	VRS1
-	-	-	V	800755	VRS2
-	-	.484		99291	Redi-Sleeve

Hsg. Bore	Seal O.D.	Seal Width	Lip Mat'l	Part No.	Type/ Illus.
2.991" SHAFT (cont.)					
-	-	.563		99298	Redi-Sleeve
-	-	.813		99299	Redi-Sleeve
3,622	3,637	.380	V	*327995V	32
3,622	3,637	.385	T	*100202T◀	FW-H
76,00mm (2.992") SHAFT					
-	-	-	S	800750	VRS1
-	-	-	S	800751	VRS2
-	-	-	V	800754	VRS1
-	-	-	V	800755	VRS2
-	-	.484		99291	Redi-Sleeve
-	-	.563		99298	Redi-Sleeve
-	-	.813		99299	Redi-Sleeve
91,72	92,00	10,00	S	*76X92X10★	32
3,611	3,622	.394			
92,00	92,28	9,50	V	4307V★◀	32
3,622	3,633	.374			
92,00	92,28	9,60	V	327995★◀	32
3,622	3,633	.378			
93,00	93,30	10,00	H	1019★◀	32
3,661	3,673	.394			
93,72	94,00	12,00	S	*76X94X12★	32
3,690	3,701	.472			
98,00	98,20	12,00	H	227610★➔	32
3,858	3,866	.472			
102,00	102,20	9,50	S	710375★	#
4,016	4,024	.374			
104,72	105,00	12,00	S	*76X105X12★	32
4,123	4,134	.472			
104,72	105,00	13,00	S	*76X105X13★	32
4,123	4,134	.512			
3.000" SHAFT					
-	-	-	S	800750	VRS1
-	-	-	S	800751	VRS2
-	-	-	V	800754	VRS1
-	-	-	V	800755	VRS2
-	-	.625		99303	Redi-Sleeve
-	-	.813		99296	Redi-Sleeve
-	-	.813		99300	Redi-Sleeve
3,500	-	.313	U	710028	#
3,686	3,702	.523	N	7338N&	56
3,751	3,756	.375	N	476023N	47
3,751	3,756	.375	V	*476023V	47
3,751	3,756	.375	S	*486023	48
3,751	3,756	.375	N	*486023N	48
3,751	3,756	.437	V	417349V	41
3,751	3,756	.437	S	417349	41
3,751	3,756	.437	S	*457349	45
3,751	3,756	.437	S	*477349	47
3,751	3,756	.437	S	*487349	48
3,751	3,756	.500	S	*415281	41
3,751	3,756	.500	N	415281N	41
3,751	3,756	.500	V	*415281V	41
3,751	3,756	.500	S	*455281	45
3,751	3,756	.500	H	*455281H	45
3,751	3,756	.500	N	*455281N	45
3,751	3,756	.500	S	*475281	47
3,751	3,756	.500	N	*475281N	47
3,751	3,756	.500	S	*485281	48
3,752	3,760	.375	S	*6442S	35
3,876	3,881	.437	S	417350	41
3,876	3,881	.437	S	*457350	45
3,876	3,881	.437	S	*477350	47
3,876	3,881	.437	S	*487350	48
3,876	3,881	.468	S	*415479	41

For Illustration and Material Data See Technical Section

Designed For A Specific Application - Not Recommended For General Use ➔ Hydrodynamic Lip Design-CW ◀ Hydrodynamic Lip Design-CCW & Flanged O.D.

* Call 1-800-480-1212 For Price and Delivery ★ Metric Seal

Hsg. Bore	Seal O.D.	Seal Width	Lip Mat'l	Part No.	Type/Illus.	Hsg. Bore	Seal O.D.	Seal Width	Lip Mat'l	Part No.	Type/Illus.
3.000" SHAFT (cont.)						3.000" SHAFT (cont.)					
3.876	3.881	.468	N	*415479N	41	4.331	4.336	.500	S	415962	41
3.876	3.881	.468	S	455479	45	4.376	4.381	.500	S	417488	41
3.876	3.881	.468	V	455479V	45	4.376	4.381	.625	S	*415158	41
3.876	3.881	.468	S	*475479	47	4.376	4.381	.625	N	*415158N	41
3.876	3.881	.468	H	*475479H	47	4.376	4.381	.625	S	*455158	45
3.876	3.881	.468	N	*475479N	47	4.376	4.381	.760	V	*2515V	#
3.876	3.881	.468	S	*485479	48	4.490	4.508	.562	S	*325088	32
3.876	3.881	.500	N	*415526N	41	4.499	4.504	.468	S	415088	41
3.876	3.881	.500	N	*455526N	45	4.499	4.504	.468	N	*415088N	41
3.876	3.885	.500	S	355526	35	4.499	4.504	.468	S	455088	45
3.936	3.941	.500	S	455509	45	4.499	4.504	.468	N	*455088N	45
3.999	4.004	.437	S	453182	45	4.499	4.504	.468	V	455088V	45
4.000	4.008	.500	U	710011	#	4.499	4.504	.468	S	*475088	47
4.000	4.012	.600	U	710009	#	4.499	4.504	.468	N	*475088N	47
4.002	4.625	.884	S	*8427	#	4.499	4.504	.468	S	*485088	48
4.003	4.008	.250	S	45013S	4S	4.500	4.506	.500	S	*487162	48
4.003	4.008	.312	V	710457	86	4.501	4.506	.468	S	*457163	45
4.003	4.008	.375	S	*7021S	48	4.501	4.506	.468	N	477163N	47
4.003	4.008	.375	S	415995	41	4.524	4.600	.433	S	200133%	200E
4.003	4.008	.375	A	415995A	41	4.626	4.631	.500	L	55548	5L
4.003	4.008	.375	N	*415995N	41	4.750	4.756	.500	S	*457165	45
4.003	4.008	.375	V	415995V	41	4.751	4.756	.625	S	416370	41
4.003	4.008	.375	N	455995N	45	4.751	4.756	.625	S	*456370	45
4.003	4.008	.375	S	*475995	47	4.751	4.756	.625	S	*476370	47
4.003	4.008	.375	V	*475995V	47	4.751	4.756	.625	S	*486370	48
4.003	4.008	.437	V	415836V	41	4.875	4.881	.625	S	455820	45
4.003	4.008	.437	S	415836	41	4.938	4.943	.740	N	3905&	76
4.003	4.008	.437	N	415836N	41	4.999	5.004	.468	S	*415019	41
4.003	4.008	.437	S	*455836	45	4.999	5.004	.468	S	455019	45
4.003	4.008	.437	S	*475836	47	4.999	5.004	.468	S	*475019	47
4.003	4.008	.437	V	*475836V	47	4.999	5.004	.468	S	*485019	48
4.003	4.008	.437	S	*485836	48	5.000	5.006	.859	S	*76894S	7S
4.003	4.008	.468	S	*3204	#	5.500	5.506	.531	N	3143N&	74
4.003	4.008	.468	S	415013	41	5.501	5.506	1.266	N	3592	90
4.003	4.008	.468	N	415013N	41	5.501	5.507	.312	S	*7843	#
4.003	4.008	.468	V	*415013V	41	5.750	5.764	.413	N	712000	#
4.003	4.008	.468	S	455013	45	5.751	5.756	.840	N	710008&	74
4.003	4.008	.468	H	*455013H	45	3.003" SHAFT					
4.003	4.008	.468	N	*455013N	45	-	-	-	S	800750	VRS1
4.003	4.008	.468	V	*455013V	45	-	-	-	S	800751	VRS2
4.003	4.008	.468	S	*475013	47	-	-	-	V	800754	VRS1
4.003	4.008	.468	N	*475013N	47	-	-	-	V	800755	VRS2
4.003	4.008	.468	S	*485013	48	-	-	.625		99303	Redi-Sleeve
4.003	4.008	.640	N	*7774N	#	-	-	.813		99296	Redi-Sleeve
4.125	4.130	.312	S	*7844	#	-	-	.813		99300	Redi-Sleeve
4.125	4.130	.437	S	417351	41	3.751	3.761	.420	V	100495	08
4.125	4.130	.437	S	*457351	45	3.751	3.761	.570	V	4810V➔	#
4.125	4.130	.437	S	*477351	47	3.751	3.761	.570	V	714810◀	#
4.125	4.130	.438	S	*487119	48	3.951	3.961	.289	N	*100373	#
4.125	4.130	.562	S	*415154	41	4.028	4.038	.302	N	*100406	#
4.125	4.130	.562	S	455154	45	4.937	4.948	.662	V	4562V➔	#
4.125	4.130	.562	S	*475154	47	4.937	4.948	.788	V	100263➔	08
4.125	4.130	.562	S	*485154	48	77,00mm (3.031") SHAFT					
4.249	4.254	.437	S	417487	41	-	-	-	S	800750	VRS1
4.249	4.254	.468	S	*415086	41	-	-	-	S	800751	VRS2
4.249	4.254	.468	N	415086N	41	-	-	-	V	800754	VRS1
4.249	4.254	.468	V	*415086V	41	-	-	-	V	800755	VRS2
4.249	4.254	.468	S	455086	45	99.72	100.00	10.00	S	*77X100X10★	32
4.249	4.254	.468	H	*455086H	45	3.926	3.937	.394			
4.249	4.254	.468	N	*455086N	45	100.10	100.30	11.00	N	*712138★	35
4.249	4.254	.468	N	*475086N	47	3.941	3.949	.433			
4.249	4.254	.500	S	*416026	41	3.040" SHAFT					
4.249	4.254	.500	S	*456026	45	-	-	-	S	800750	VRS1
4.249	4.254	.500	V	*456026V	45	-	-	-	S	800751	VRS2
4.249	4.254	.625	L	*55014	5L	-	-	-	V	800754	VRS1
4.249	4.254	.625	S	*55014S	5S						
4.249	4.254	.625	S	*415014	41						
4.249	4.254	.625	N	*415014N	41						
4.249	4.254	.625	S	455014	45						
4.249	4.254	.625	S	*475014	47						
4.249	4.254	.625	S	*485014	48						

SIZE SECTION

For Illustration and Material Data See Technical Section
 # Designed For A Specific Application - Not Recommended For General Use ➔ Hydrodynamic Lip Design-CW ◀ Hydrodynamic Lip Design-CCW % External Bore & Flanged O.D. * Call 1-800-480-1212 For Price and Delivery ★ Metric Seal

Size Section

NATIONAL®

Hsg. Bore	Seal O.D.	Seal Width	Lip Mat'l	Part No.	Type/ Illus.	Hsg. Bore	Seal O.D.	Seal Width	Lip Mat'l	Part No.	Type/ Illus.
3.040" SHAFT (cont.)						3.125" (3-1/8") SHAFT (cont.)					
-	-	-	V	800755	VRS2	4.003	4.008	.468	N	*415354N	41
3.937	3.946	.250	S	355669	35	4.003	4.008	.468	S	*455354	45
6.412	6.418	.658	S	710090	#	4.003	4.008	.468	N	*455354N	45
3.062" (3-1/16") SHAFT						4.003 4.008 .468 S *475354 47					
-	-	-	S	800750	VRS1	4.003	4.008	.468	H	*475354H	47
-	-	-	S	800751	VRS2	4.003	4.008	.468	S	*485354	48
-	-	-	V	800754	VRS1	4.003	4.008	.500	V	*4470V	#
-	-	-	V	800755	VRS2	4.003	4.008	.500	V	457034	45
4.003	4.008	.468	S	*486893	48	4.003	4.008	.500	V	*487034V	48
4.125	4.130	.562	S	*455155	45	4.003	4.008	.500	V	714470	48
4.230	4.350	.390	S	*200766%	200E	4.003	4.008	.790	S	*77938	7S
4.249	4.254	.625	S	455015	45	4.049	4.054	.437	S	*6754S	45
4.331	4.336	.500	S	*456733	45	4.125 4.130 .375 S 417621	41				
4.999	5.004	.468	S	455020	45	4.125	4.130	.437	T	398099	W-H
78,00mm (3.071") SHAFT						4.125 4.130 .500 H *4156H #					
-	-	-	S	800800	VRS1	4.125	4.130	.500	H	2291	41
-	-	-	V	800804	VRS1	4.125	4.130	.500	S	416011	41
-	-	-	V	800805	VRS2	4.125	4.130	.500	V	*416011V	41
95.00	95.20	10.00	S	*78X95X10★	32	4.125	4.130	.500	S	*456011	45
3.740	3.748	.394				4.125	4.130	.500	V	*456011V	45
99.72	100.00	13.00	S	*78X100X13★	32	4.125	4.130	.500	S	*476011	47
3.926	3.937	.512				4.125	4.130	.500	H	*476011H	47
100.00	100.27	10.00	S	78X100X10★	32	4.125	4.130	.500	V	*476011V	47
3.937	3.948	.394				4.125	4.130	.500	S	*486011	48
105.00	105.20	10.00	S	78X105X10★	32	4.125	4.130	.562	S	*415156	41
4.134	4.142	.394				4.125	4.130	.562	H	*415156H	41
109.72	110.00	12.00	S	*78X110X12★	32	4.125	4.130	.562	N	415156N	41
4.320	4.331	.472				4.125	4.130	.562	S	*455156	45
109.72	110.00	13.00	S	*78X110X13★	32	4.125	4.130	.562	N	*455156N	45
4.320	4.331	.512				4.125	4.130	.562	V	*455156V	45
110.00	110.20	10.00	S	*78X110X10★	32	4.125	4.130	.562	S	*475156	47
4.331	4.339	.394				4.125	4.130	.562	H	*475156H	47
115.00	115.20	10.00	S	78X115X10★	32	4.125	4.130	.562	N	*475156N	47
4.528	4.535	.394				4.125	4.130	.562	S	*485156	48
3.110" SHAFT						4.125 4.130 1.750 S *6050 33					
-	-	-	S	800800	VRS1	4.126	4.130	.437	T	39817	FW-H
-	-	-	V	800804	VRS1	4.173	4.179	.290	S	8976S	49
-	-	-	V	800805	VRS2	4.174	4.188	.500	S	370145A	07
-	5.750	.375	S	7896S	51	4.249	4.254	.468	S	*416287	41
3.750	3.760	.437	T	*712142	32	4.249	4.254	.468	H	*416287H	41
3.898	3.913	.378	T	712126	FW-H	4.249	4.254	.468	N	*416287N	41
3.125" (3-1/8") SHAFT						4.249 4.254 .468 V *416287V 41					
-	-	-	S	800800	VRS1	4.249	4.254	.468	S	*456287	45
-	-	-	V	800804	VRS1	4.249	4.254	.468	S	*486287	48
-	-	-	V	800805	VRS2	4.249	4.254	.468	S	*486287	48
-	5.750	.375	S	7896S	51	4.249 4.254 .500 S 416288	41				
3.750	3.760	.437	T	*712142	32	4.249	4.254	.500	S	*456288	45
3.898	3.913	.378	T	712126	FW-H	4.249	4.254	.500	S	*476288	47
3.125" (3-1/8") SHAFT						4.249 4.254 .500 S *486288 48					
-	-	-	S	800800	VRS1	4.249	4.254	.500	S	*415016	41
-	-	-	V	800804	VRS1	4.249	4.254	.625	N	415016N	41
-	-	-	V	800805	VRS2	4.249	4.254	.625	S	*455016	45
-	-	.551		*99307	Redi-Sleeve	4.249	4.254	.625	S	*475016	47
-	-	.571	S	*8369S	#	4.249	4.254	.625	S	*485016	48
-	-	.688		99311	Redi-Sleeve	4.375 4.381 .500 S 417171	41				
-	-	.813		99312	Redi-Sleeve	4.375	4.381	.500	S	*457171	45
-	7.500	.531	S	*6480	#	4.375	4.381	.500	S	*477171	47
-	8.250	.500	S	*6764S	#	4.375	4.381	.500	S	*487171	48
-	8.250	.571	S	6649	52	4.375	4.381	.562	N	*456289N	45
-	8.250	.925	S	*6897	#	4.376	4.381	.562	S	*456289	45
3.750	3.768	.437	T	712100	PDW	4.376	4.381	.625	S	*415160	41
3.751	3.756	.250	S	45825S	4S	4.376	4.381	.625	S	*455160	45
3.876	3.881	.468	S	*475568	47	4.376	4.381	.625	N	*416289N	41
3.936	3.943	.512	V	2260	45	4.376	4.381	.562	S	*456289	45
3.937	3.942	.500	S	*456909	45	4.376	4.381	.625	S	*415160	41
4.003 4.008 .375 S 416404	41					4.376	4.381	.625	S	*455160	45
4.003	4.008	.375	V	*416404V	41	4.376	4.381	.625	S	*485160	48
4.003	4.008	.375	S	*476404	47	4.450	4.456	.880	S	710080	#
4.003	4.008	.375	N	*476404N	47	4.499	4.504	.468	S	*415145	41
4.003	4.008	.468	S	*415354	41	4.499	4.504	.468	N	*415145N	41
						4.499	4.504	.468	V	*415145V	41
						4.499	4.504	.468	S	*455145	45
						4.499	4.504	.468	S	*475145	47
						4.499	4.504	.468	S	*485145	48
						4.500 4.506 .500 S 417172	41				

For Illustration and Material Data See Technical Section

Designed For A Specific Application - Not Recommended For General Use ▶ Hydrodynamic Lip Design-CW ◀ Hydrodynamic Lip Design-CCW % External Bore

* Call 1-800-480-1212 For Price and Delivery ★ Metric Seal

Hsg. Bore	Seal O.D.	Seal Width	Lip Mat'l	Part No.	Type/Illus.	Hsg. Bore	Seal O.D.	Seal Width	Lip Mat'l	Part No.	Type/Illus.
3.125" (3-1/8") SHAFT (cont.)						80,00mm (3.150") SHAFT (cont.)					
4.500	4.506	.500	S	*457172	45	96,00	96,28	9,00	V	228005★◄	32
4.500	4.506	.500	S	*477172	47	3,780	3,791	.354			
4.500	4.506	.500	S	*487172	48	97,72	98,00	10,00	S	*80X98X10★	32
4.500	4.506	.605	S	370014A	06	3,847	3,858	.394			
4.562	4.567	.687	F	*6603	205	98,00	98,40	10,00	V	228008★◄	32
4.562	4.567	.760	L	6644	5L	3,858	3,874	.394			
4.562	4.567	1.198	L	5751	34	99,72	100,00	8,00	S	*80X100X8★	32
4.625	4.631	.500	S	*457173	45	3,926	3,937	.315			
4.625	4.631	.562	S	*55690	5S	99,72	100,00	12,00	S	*80X100X12★	32
4.625	4.631	.605	S	370046A	06	3,926	3,937	.472			
4.626	4.631	.437	S	416297	41	99,72	100,00	13,00	S	*80X100X13★	32
4.626	4.631	.437	S	*476297	47	3,926	3,937	.512			
4.751	4.756	.500	S	416024	41	100,00	100,20	10,00	S	80X100X10★	35
4.751	4.756	.625	S	*415245	41	3,937	3,945	.394			
4.751	4.756	.625	N	*415245N	41	100,00	100,20	10,00	V	*80X100X10V★	32
4.751	4.756	.625	S	*455245	45	3,937	3,945	.394			
4.751	4.756	.625	S	*475245	47	100,00	100,20	10,00	H	228015★➔	32
4.751	4.756	.625	H	*475245H	47	3,937	3,945	.394			
4.751	4.756	.625	S	*485245	48	100,00	100,20	10,00	V	228011★◄	32
4.999	5.004	.468	S	415021	41	3,937	3,945	.394			
4.999	5.004	.468	S	*455021	45	100,00	100,23	10,00	H	228009★◄	32
4.999	5.004	.468	S	*475021	47	3,937	3,946	.394			
4.999	5.004	.468	S	*485021	48	100,00	100,35	13,00	H	228010★◄	32
4.999	5.004	.500	S	*456301	45	3,937	3,951	.512			
5.251	5.256	.468	S	415394	41	100,00	100,40	10,00	T	712111★➔	FW-H
5.251	5.256	.468	S	*455394	45	3,937	3,953	.394			
5.251	5.256	.468	S	*475394	47	100,00	100,40	13,00	T	712115★➔	FW-H
5.251	5.256	.468	S	*485394	48	3,937	3,953	.512			
5.778	8.125	.571	S	*6505S	#	100,00	100,40	13,00	T	712120★➔	FW-H
5.985	6.000	.955	S	9600S	#	3,937	3,953	.512			
7.000	8.250	1.003	N	*6481	51	100,00	100,40	13,00	T	712123★➔	FW-H
7.000	8.250	1.003	S	6481S	51	3,937	3,953	.512			
3.133" SHAFT						104,72	105,00	12,00	S	*80X105X12★	32
-	-	-	S	800800	VRS1	4,123	4,134	.472			
-	-	-	V	800804	VRS1	105,00	105,20	10,00	S	80X105X10★	32
-	-	-	V	800805	VRS2	4,134	4,142	.394			
3.547	3.551	.366	S	710106	#	105,00	105,20	12,00	V	*80X105X12V★	35
3.142" SHAFT						4,134	4,142	.472			
-	-	-	S	800800	VRS1	105,00	105,26	14,00	S	228025★	32
-	-	-	V	800804	VRS1	4,134	4,144	.551			
-	-	-	V	800805	VRS2	105,00	105,27	14,00	S	*80X105X14★	32
-	-	.750		99313	Redi-Sleeve	105,00	105,27	14,00	S	228020★	32
3.733	3.736	.565	S	710103	#	4,134	4,144	.551			
3.146" SHAFT						109,72	110,00	13,00	S	*80X110X13★	32
-	-	-	S	800800	VRS1	4,320	4,331	.512			
-	-	-	V	800804	VRS1	110,00	110,20	10,00	V	*80X110X10V★	32
-	-	-	V	800805	VRS2	4,331	4,339	.394			
-	-	.433		*99317	Redi-Sleeve	110,00	110,28	10,00	S	80X110X10★	32
-	-	.750		99313	Redi-Sleeve	4,331	4,342	.394			
-	-	.827		99315	Redi-Sleeve	110,00	110,28	12,00	S	228030★	35
4.003	4.008	.468	S	*450407	45	4,331	4,342	.472			
80,00mm (3.150") SHAFT						110,00	110,28	12,00	S	80X110X12★	35
-	-	-	S	800800	VRS1	114,72	115,00	10,00	S	*80X115X10★	32
-	-	-	V	800804	VRS1	4,517	4,528	.394			
-	-	-	V	800805	VRS2	114,72	115,00	10,00	S	*80X115X10★	32
-	-	.433		*99317	Redi-Sleeve	4,517	4,528	.394			
-	-	.750		99313	Redi-Sleeve	115,00	115,20	12,00	S	*80X115X12★	32
-	-	.827		99315	Redi-Sleeve	4,528	4,535	.472			
94,72	95,00	8,00	S	*80X95X8★	32	120,00	120,20	10,00	S	80X120X10★	32
3.729	3.740	.315				4,724	4,732	.394			
						120,00	120,28	13,00	S	80X120X13★	32
						4,724	4,735	.512			
						124,72	125,00	10,00	S	*80X125X10★	32
						4,910	4,921	.394			
						124,72	125,00	13,00	S	*80X125X13★	32
						4,910	4,921	.512			
						124,72	125,00	14,00	S	*80X125X14★	32
						4,910	4,921	.551			

SIZE SECTION

For Illustration and Material Data See Technical Section
 # Designed For A Specific Application - Not Recommended For General Use ➔ Hydrodynamic Lip Design-CW ◄ Hydrodynamic Lip Design-CCW
 * Call 1-800-480-1212 For Price and Delivery ★ Metric Seal

Size Section

NATIONAL®

Hsg. Bore	Seal O.D.	Seal Width	Lip Mat'l	Part No.	Type/ Illus.
80,00mm (3.150") SHAFT (cont.)					
125.00	125.20	12.00	S	*80X125X12★	32
4.921	4.929	.472			
125.00	125.27	7.00	S	80X125X7★	32
4.921	4.932	.276			
129.70	130.00	13.00	S	*80X130X13★	32
5.106	5.118	.512			
130.00	130.20	12.00	S	*80X130X12★	32
5.118	5.126	.472			
135.00	135.20	12.00	S	*80X135X12★	32
5.315	5.323	.472			
140.00	140.20	12.00	S	*80X140X12★	32
5.512	5.520	.472			
3.164" SHAFT					
-	-	-	S	800800	VRS1
-	-	-	V	800804	VRS1
-	-	-	V	800805	VRS2
4.249	4.254	.625	S	*455734	45
4.999	5.004	.468	S	456799	45
4.999	5.004	.468	H	*456799H	45
3.180" SHAFT					
-	-	-	S	800800	VRS1
-	-	-	V	800804	VRS1
-	-	-	V	800805	VRS2
4.180	4.185	.750	S	3385↔	74
3.187" (3-3/16") SHAFT					
4.249	4.254	.468	S	456105	45
4.249	4.254	.625	S	*455017	45
4.376	4.381	.500	S	417490	41
4.376	4.381	.625	S	*455161	45
4.499	4.504	.468	S	455336	45
4.625	4.630	.442	S	*2054	47
4.625	4.630	.442	S	6358↔	47
4.999	5.004	.468	S	455022	45
5.000	5.006	.765	S	370029A	03
3.209" SHAFT					
-	-	-	S	800800	VRS1
-	-	-	V	800804	VRS1
-	-	-	V	800805	VRS2
89.80	-	2.50	S	710293★	#
3.535	-	.098			
3.226" SHAFT					
-	-	-	S	800800	VRS1
-	-	-	V	800804	VRS1
-	-	-	V	800805	VRS2
-	-	.661		99328	Redi-Sleeve
-	8.250	.518	S	*6477S	#
82,00mm (3.228") SHAFT					
-	-	-	S	800800	VRS1
-	-	-	V	800804	VRS1
-	-	-	V	800805	VRS2
-	-	.661		99328	Redi-Sleeve
99.50	99.77	12.70	V	320691★↔	32
3.918	3.928	.500			
105.00	105.25	13.00	S	82X105X13★	25
4.134	4.144	.512			
105.00	105.30	13.00	H	1945★↔	32
4.134	4.146	.512			
105.00	105.30	13.00	H	228480★↔	#
4.134	4.146	.512			

Hsg. Bore	Seal O.D.	Seal Width	Lip Mat'l	Part No.	Type/ Illus.
3.230" SHAFT					
-	-	-	S	800800	VRS1
-	-	-	V	800804	VRS1
-	-	-	V	800805	VRS2
-	-	.661		99328	Redi-Sleeve
3.790	3.795	.325	T	40375↔	32
3.249" SHAFT					
4.468	4.488	.318	S	200870%	200E
4.536	4.556	.315	S	*200880%	200E
3.250" (3-1/4") SHAFT					
-	-	-	S	800800	VRS1
-	-	-	V	800804	VRS1
-	-	-	V	800805	VRS2
-	-	.595		99324	Redi-Sleeve
-	-	.600		99323	Redi-Sleeve
-	-	.656	V	*4596V	#
-	-	.688		*99326	Redi-Sleeve
-	-	.813		99322	Redi-Sleeve
-	-	.813		99325	Redi-Sleeve
-	4.325	.404	N	*100355	#
3.781	3.785	.593	S	*712131	#
3.879	3.881	.375	V	710180↔	47
4.003	4.008	.375	S	417433	41
4.003	4.008	.468	T	55563↔	5S
4.003	4.008	.468	S	415563	41
4.003	4.008	.468	N	*415563N	41
4.003	4.008	.468	S	*475563	47
4.125	4.130	.500	H	*255566H	25
4.125	4.130	.562	V	*455566V	45
4.125	4.130	.562	S	*415566	41
4.125	4.130	.562	N	*415566N	41
4.125	4.130	.562	V	*415566V	41
4.125	4.130	.562	S	455566	45
4.125	4.130	.562	N	*455566N	45
4.125	4.130	.562	S	*475566	47
4.125	4.130	.562	S	*485566	48
4.125	4.130	.937	S	*6495S	9S
4.247	4.254	.375	V	476470V	47
4.249	4.254	.375	F	296470	29
4.249	4.254	.375	N	416470N	41
4.249	4.254	.375	S	476470	47
4.249	4.254	.375	N	*476470N	47
4.249	4.254	.468	V	411275	41
4.249	4.254	.468	H	*411275H	41
4.249	4.254	.468	N	*411275N	41
4.249	4.254	.468	S	*451275	45
4.249	4.254	.468	N	*451275N	45
4.249	4.254	.500	S	415304	41
4.249	4.254	.500	N	*415304N	41
4.249	4.254	.500	V	*415304V	41
4.249	4.254	.500	S	*455304	45
4.249	4.254	.500	N	*455304N	45
4.249	4.254	.500	V	*455304V	45
4.249	4.254	.500	S	*475304	47
4.249	4.254	.500	V	*475304V	47
4.249	4.254	.500	S	*485304	48
4.249	4.254	.625	S	*415018	41
4.249	4.254	.625	N	*415018N	41
4.249	4.254	.625	S	455018	45
4.249	4.254	.625	H	*455018H	45
4.249	4.254	.625	N	455018N	45
4.249	4.254	.625	S	*475018	47
4.249	4.254	.625	S	*485018	48
4.249	4.260	.662	V	4543V↔	#
4.249	4.282	.650	N	4875N↔	#
4.250	4.254	.500	S	*9640	#

For Illustration and Material Data See Technical Section

Designed For A Specific Application - Not Recommended For General Use ↗ Hydrodynamic Lip Design-CW ↖ Hydrodynamic Lip Design-CCW

↔ Hydrodynamic Lip Design-Bidirectional % External Bore * Call 1-800-480-1212 For Price and Delivery ★ Metric Seal

Hsg. Bore	Seal O.D.	Seal Width	Lip Mat'l	Part No.	Type/Illus.	Hsg. Bore	Seal O.D.	Seal Width	Lip Mat'l	Part No.	Type/Illus.
3.250" (3-1/4") SHAFT (cont.)						3.253" SHAFT (cont.)					
4.250	4.255	.500	U	710016	#	-	-	.813		99325	Redi-Sleeve
4.330	4.340	.250	S	*345703	34	4.249	4.260	.635	V	100494➔	08
4.376	4.381	.500	S	*417181	41	4.499	4.505	.468	S	*2109	41
4.376	4.381	.500	S	*457181	45	5.500	5.511	.630	V	4544V➔	#
4.376	4.381	.500	S	*477181	47	5.500	5.511	.635	V	100557➔	08
4.376	4.381	.500	S	*487181	48	3.263" SHAFT					
4.376	4.381	.562	S	*416290	41	-	-	-	S	800800	VRS1
4.376	4.381	.562	S	*456290	45	-	-	-	V	800804	VRS1
4.376	4.381	.562	V	*456290V	45	-	-	-	V	800805	VRS2
4.376	4.381	.625	S	*415162	41	3.275	4.110	.500	S	*8710	#
4.376	4.381	.625	S	*455162	45	83,00mm (3.268") SHAFT					
4.376	4.381	.625	N	*455162N	45	-	-	-	S	800800	VRS1
4.376	4.381	.625	S	*485162	48	-	-	-	V	800804	VRS1
4.499	4.504	.468	S	415137	41	-	-	-	V	800805	VRS2
4.499	4.504	.468	S	455137	45	100,00	100,20	9,00	H	228250★◀	32
4.499	4.504	.468	V	*455137V	45	3.937	3.945	.354			
4.499	4.504	.468	S	*475137	47	103,72	104,00	9,00	S	*83X104X9★	32
4.499	4.504	.468	N	*475137N	47	4.083	4.094	.354			
4.499	4.504	.468	S	*485137	48	109,72	110,00	13,00	S	*83X110X13★	32
4.500	4.505	.406	F	*296051	29	4.320	4.331	.512			
4.500	4.506	.375	S	*418028	41	116,72	117,00	14,00	S	*83X117X14★	32
4.500	4.506	.500	S	417352	41	4.595	4.606	.551			
4.500	4.506	.500	S	*457352	45	3.270" SHAFT					
4.500	4.506	.500	S	*477352	47	-	-	-	S	800800	VRS1
4.500	4.506	.500	S	*487352	48	-	-	-	V	800804	VRS1
4.500	4.506	.605	S	370018A	06	-	-	-	V	800805	VRS2
4.500	4.507	.718	S	6584S&	74	3.655	3.660	.500	S	*2499	#
4.500	4.600	.315	S	7208S%	200E	3.298" SHAFT					
4.501	4.506	.468	S	*455615	45	4.125	4.130	.562	S	455500	45
4.626	4.631	.437	S	*476303	47	4.125	4.130	.562	S	475500	47
4.626	4.631	.437	S	*486303	48	4.125	4.130	.562	N	*485500N	48
4.626	4.631	.625	S	*416304	41	84,00mm (3.307") SHAFT					
4.626	4.632	.500	S	*417353	41	-	-	.813		99331	Redi-Sleeve
4.626	4.632	.500	S	*457353	45	99,72	100,00	10,00	S	*84X100X10★	32
4.626	4.632	.500	S	*477353	47	3.926	3.937	.394			
4.626	4.632	.500	S	*487353	48	100,00	100,10	10,00	S	710294★	47
4.626	4.633	.706	S	*9583◀➔	#	3.937	3.941	.394			
4.718	4.723	.468	L	55236	5L	100,00	100,20	12,00	S	*84X100X12★	32
4.723	4.729	.468	S	*415577	41	3.937	3.945	.472			
4.723	4.729	.468	N	*415577N	41	104,00	0,00	10,01	V	228411★	32
4.723	4.729	.468	S	*455577	45	4.094	.000	.394			
4.751	4.756	.484	S	*456305	45	104,00	104,28	11,00	V	228410★◀	32
4.751	4.756	.500	S	*456306	45	4.094	4.106	.433			
4.751	4.756	.625	S	*415265	41	118,00	118,10	7,00	V	710363★◀	#
4.751	4.756	.625	N	*415265N	41	4.646	4.650	.276			
4.751	4.756	.625	S	*455265	45	3.312" (3-5/16") SHAFT					
4.751	4.756	.625	S	*475265	47	-	-	.813		99331	Redi-Sleeve
4.751	4.756	.625	S	*485265	48	4.249	4.253	.500	S	*456292	45
4.999	5.004	.468	S	*415023	41	4.249	4.254	.500	S	*416292	41
4.999	5.004	.468	S	*455023	45	4.249	4.254	.750	S	*8229	#
4.999	5.004	.468	S	*475023	47	4.376	4.381	.625	S	*455163	45
4.999	5.004	.468	S	*485023	48	4.376	4.381	.625	H	*455163H	45
4.999	5.004	.500	S	*416309	41	4.499	4.504	.468	S	*415085	41
5.251	5.256	.468	S	*415328	41	4.499	4.504	.468	S	*455085	45
5.251	5.256	.468	S	455328	45	4.499	4.504	.468	V	*455085V	45
5.251	5.256	.468	S	*475328	47	4.499	4.504	.468	S	*475085	47
5.251	5.256	.468	S	*485328	48	4.501	4.506	.468	S	456648	45
5.500	5.506	.500	N	417987N	41	4.501	4.506	.605	S	370191A	06
6.125	6.149	.500	S	*2699	#	3.253" SHAFT					
6.374	6.380	.468	S	*487056	48	-	-	-	S	800800	VRS1
3.253" SHAFT						-	-	-	V	800804	VRS1
-	-	-	S	800800	VRS1	-	-	-	V	800805	VRS2
-	-	.595		99324	Redi-Sleeve	-	-	.600		99323	Redi-Sleeve
-	-	.600		99323	Redi-Sleeve	-	-	.688		*99326	Redi-Sleeve
-	-	.813		99322	Redi-Sleeve	-	-				

SIZE SECTION

Size Section

NATIONAL®

Hsg. Bore	Seal O.D.	Seal Width	Lip Mat'l	Part No.	Type/ Illus.
3.312" (3-5/16") SHAFT (cont.)					
4.751	4.756	.500	S	416313	41
4.999	5.004	.468	S	455024	45
5.000	5.006	.937	S	370013A	03
5.125	5.131	.500	S	*457961	45
5.501	5.506	.562	S	*455612	45
5.501	5.506	.562	N	*455612N	45

3.330" SHAFT					
4.125	4.130	.562	S	477055	47
5.045	5.050	.800	S	710088	#

85,00mm (3.346") SHAFT					
-	-	.827		99333	Redi-Sleeve
-	-	.827		99334	Redi-Sleeve
-	102.57	25.40	T	*100467★➔	#
-	4.038	1.000			
99.72	100.00	9.00	S	*85X100X9★	32
3.926	3.937	.354			
99.72	100.00	10.00	S	*85X100X10★	32
3.926	3.937	.394			
99.72	100.00	12.00	S	*85X100X12★	32
3.926	3.937	.472			
104.72	105.00	12.00	S	*85X105X12★	32
4.123	4.134	.472			
105.00	105.28	10.00	S	85X105X10★	32
4.134	4.145	.394			
105.00	105.28	10.00	H	716102★◀	32
4.134	4.145	.394			
105.00	105.28	13.00	S	85X105X13★	32
4.134	4.145	.512			
4.135	4.148	.465	N	*3590	#
109.72	110.00	13.00	S	*85X110X13★	32
4.320	4.331	.512			
110.00	110.20	10.00	S	85X110X10★	35
4.331	4.339	.394			
110.00	110.20	12.00	V	*85X110X12V★	32
4.331	4.339	.472			
110.00	110.28	12.00	S	228520★	35
4.331	4.342	.472			
110.00	110.28	12.00	S	85X110X12★	32
4.331	4.342	.472			
110.72	111.00	10.00	S	*85X111X10★	32
4.359	4.370	.394			
113.00	113.20	10.50	N	710330★	#
4.449	4.457	.413			
114.22	114.50	12.00	S	*85X114.5X12★	32
4.497	4.508	.472			
114.72	115.00	15.00	S	*85X115X15★	32
4.517	4.528	.591			
115.00	115.00	13.00	S	85X115X13★	35
4.528	4.528	.512			
115.00	115.20	12.00	S	*85X115X12★	32
4.528	4.535	.472			
115.00	115.27	7.00	S	85X115X7★	32
4.528	4.538	.276			
119.72	120.00	10.00	S	*85X120X10★	32
4.713	4.724	.394			
119.72	120.00	13.00	S	*85X120X13★	32
4.713	4.724	.512			
119.72	120.00	15.00	S	*85X120X15★	32
4.713	4.724	.591			
120.00	120.28	12.00	S	85X120X12★	32
4.724	4.735	.472			
124.72	125.00	13.00	S	*85X125X13★	32
4.910	4.921	.512			
124.72	125.00	14.00	S	*85X125X14★	32
4.910	4.921	.551			
125.00	125.20	12.00	S	85X125X12★	32
4.921	4.929	.472			

Hsg. Bore	Seal O.D.	Seal Width	Lip Mat'l	Part No.	Type/ Illus.
85,00mm (3.346") SHAFT (cont.)					
129.70	130.00	12.00	S	*85X130X12★	32
5.106	5.118	.472			
129.70	130.00	14.00	S	*85X130X14★	32
5.106	5.118	.551			
130.00	130.15	12.70	S	85X130X13★	48
5.118	5.124	.500			
130.00	130.15	12.70	S	*476516★	47
5.118	5.124	.500			
139.70	140.00	12.00	S	*85X140X12★	32
5.500	5.512	.472			

3.350" SHAFT					
4.250	4.280	.635	V	100400V	08

3.375" (3-3/8") SHAFT					
-	-	.375		*99338	Redi-Sleeve
-	-	.813		99337	Redi-Sleeve
3.948	3.955	.375	N	5128N	32
3.948	3.955	.375	S	710077	32
4.125	4.130	.375	S	415442	41
4.249	4.254	.468	S	476028	47
4.249	4.254	.468	N	*476028N	47
4.249	4.254	.500	S	416294	41
4.249	4.254	.500	H	*416294H	41
4.249	4.254	.500	N	*416294N	41
4.249	4.254	.500	V	416294V	41
4.249	4.254	.500	S	*456294	45
4.249	4.254	.500	H	*456294H	45
4.249	4.254	.500	N	*456294N	45
4.249	4.254	.500	S	*476294	47
4.249	4.254	.500	S	*486294	48
4.249	4.254	.625	S	*415613	41
4.249	4.254	.625	S	*455613	45
4.249	4.254	.625	S	*475613	47
4.249	4.254	.625	S	*485613	48
4.250	4.255	.280	S	*487319	48
4.275	4.380	.730	S	*8130%	#
4.280	4.285	.406	H	*475996H	47
4.280	4.285	.406	N	*485996N	48
4.370	4.375	.250	S	486567	48
4.376	4.381	.250	S	*47757	4S
4.376	4.381	.375	S	412473	41
4.376	4.381	.375	S	*472473	47
4.376	4.381	.375	H	*472473H	47
4.376	4.381	.500	S	415894	41
4.376	4.381	.500	S	*455894	45
4.376	4.381	.500	N	*455894N	45
4.376	4.381	.500	S	*475894	47
4.376	4.381	.500	S	*485894	48
4.376	4.381	.562	S	*411414	41
4.376	4.381	.562	N	*411414N	41
4.376	4.381	.562	S	*451414	45
4.376	4.381	.562	H	*451414H	45
4.376	4.381	.562	N	*451414N	45
4.376	4.381	.562	S	*481414	48
4.376	4.381	.562	H	*481414H	48
4.376	4.381	.625	S	*415164	41
4.376	4.381	.625	N	415164N	41
4.376	4.381	.625	S	*455164	45
4.376	4.381	.625	N	*455164N	45
4.499	4.504	.468	S	*415165	41
4.499	4.504	.468	H	*415165H	41
4.499	4.504	.468	S	455165	45
4.499	4.504	.468	N	*455165N	45
4.499	4.504	.468	V	*455165V	45
4.499	4.504	.468	S	*475165	47
4.499	4.504	.468	S	*485165	48
4.500	4.506	.500	S	417191	41
4.500	4.506	.500	V	*417191V	41

For Illustration and Material Data See Technical Section

Designed For A Specific Application - Not Recommended For General Use ➔ Hydrodynamic Lip Design-CW ◀ Hydrodynamic Lip Design-CCW % External Bore

* Call 1-800-480-1212 For Price and Delivery ★ Metric Seal

Hsg. Bore	Seal O.D.	Seal Width	Lip Mat'l	Part No.	Type/Illus.	Hsg. Bore	Seal O.D.	Seal Width	Lip Mat'l	Part No.	Type/Illus.
3.375" (3-3/8") SHAFT (cont.)						3.437" SHAFT (cont.)					
4.500	4.506	.500	S	*457191	45	5.250	5.256	.468	S	455471	45
4.500	4.506	.500	S	*477191	47	5.501	5.506	.562	S	*455472	45
4.500	4.506	.500	S	*487191	48	88,00mm (3.465") SHAFT					
4.500	4.800	.315	S	*200922%	200E	106,00	106,28	8,50	V	710188★◀	32
4.501	4.506	.468	S	456585	45	4.173	4.184	.335			
4.501	4.506	.625	S	*55331	5S	107,72	108,00	11,00	S	*88X108X11★	32
4.626	4.631	.437	S	*476319	47	4.241	4.252	.433			
4.626	4.631	.437	S	*486319	48	108,00	108,36	11,10	H	3772★◀	35
4.626	4.631	.437	V	*486319V	48	4.252	4.266	.437			
4.626	4.631	.625	S	*455168	45	108,00	108,36	11,10	T	*100239T★◀	FW-H
4.626	4.631	.625	N	*455168N	45	4.252	4.266	.437			
4.626	4.631	.687	N	*7775N	#	4.252	4.266	.437			
4.626	4.632	.500	S	417354	41	110,00	110,28	12,00	S	88X110X12★	35
4.626	4.632	.500	S	*457354	45	4.331	4.342	.472			
4.626	4.632	.500	S	*477354	47	115,00	115,20	12,00	S	*88X115X12★	32
4.626	4.632	.500	S	*487354	48	4.528	4.535	.472			
4.688	4.693	.500	S	455249	45	120,00	120,20	12,00	S	*88X120X12★	32
4.718	4.723	.468	L	*55431	5L	4.724	4.732	.472			
4.751	4.756	.500	S	416321	41	3.468" (3-15/32") SHAFT					
4.751	4.756	.625	S	*416323	41	4.626	4.631	.625	S	2055	47
4.751	4.756	.625	S	*456323	45	3.478" SHAFT					
4.751	4.756	.625	S	*476323	47	-	-	-	S	800900	VRS1
4.751	4.756	.625	S	*486323	48	-	-	-	S	800901	VRS2
4.999	5.004	.468	S	415025	41	-	-	-	V	800904	VRS1
4.999	5.004	.468	N	*415025N	41	-	-	.781		99340	Redi-Sleeve
4.999	5.004	.468	S	*455025	45	4.922	4.927	.468	S	*200118	200
4.999	5.004	.468	S	*475025	47	3.500" (3-1/2") SHAFT					
4.999	5.004	.468	S	*485025	48	-	-	-	S	800900	VRS1
4.999	5.004	.500	S	*456325	45	-	-	-	S	800901	VRS2
5.251	5.256	.468	S	416327	41	-	-	-	V	800904	VRS1
5.251	5.256	.468	S	*456327	45	-	-	.315		99347	Redi-Sleeve
5.251	5.256	.468	S	*476327	47	-	-	.813		99350	Redi-Sleeve
5.251	5.256	.468	S	*486327	48	4.000	-	.313	U	710029	#
86,00mm (3.386") SHAFT						4.125	-	.313	U	710030	#
99,72	100,00	10,00	S	*86X100X10★	32	4.125	4.130	.250	S	45525S	4S
3.926	3.937	.394				4.125	4.130	.250	S	446927	44
103,00	103,23	10,00	V	710235★◀	32	4.331	4.346	.472	T	712116▶	FW-H
4.055	4.064	.394				4.375	4.381	.562	S	*415899	41
104,00	104,23	11,00	V	710232★◀	32	4.375	4.381	.562	N	415899N	41
4.094	4.104	.433				4.375	4.381	.562	S	*455899	45
3.410" SHAFT						4.376	4.381	.375	S	*457599	45
5.251	5.257	.500	S	*200167	200	4.376	4.381	.375	S	*477599	47
87,00mm (3.425") SHAFT						4.376	4.381	.500	V	*3575V	#
100,00	100,20	8,00	H	228700★◀	32	4.376	4.381	.500	S	416624	41
3.937	3.945	.315				4.376	4.381	.500	N	416624N	41
3.437" SHAFT						4.376	4.381	.500	V	*416624V	41
-	-	.781		99339	Redi-Sleeve	4.376	4.381	.500	S	*456624	45
4.249	4.254	.375	S	418029	41	4.376	4.381	.500	S	*476624	47
4.249	4.254	.375	V	*418029V	41	4.376	4.381	.500	V	*476624V	47
4.249	4.254	.625	S	455499	45	4.376	4.381	.500	S	*486624	48
4.499	4.504	.468	S	*455166	45	4.376	4.381	.625	S	*456068	45
4.501	4.506	.375	V	417492V	41	4.437	4.437	.437	L	5965%	8L
4.501	4.506	.375	S	417492	41	4.450	4.455	.525	S	9339S	278
4.501	4.506	.468	S	*416365	41	4.450	4.456	.843	S	370179A	07
4.501	4.506	.468	S	*476365	47	4.499	4.504	.468	S	415146	41
4.501	4.506	.625	L	55419	5L	4.499	4.504	.468	N	*415146N	41
4.625	4.725	.484	S	*84082%	8S	4.499	4.504	.468	S	455146	45
4.626	4.631	.500	S	417493	41	4.499	4.504	.468	V	*455146V	45
4.626	4.631	.500	V	*417493V	41	4.499	4.504	.468	S	*475146	47
4.755	4.761	.605	S	370047A	06	4.499	4.504	.468	N	*475146N	47
4.756	4.761	.562	S	455858	45	4.499	4.504	.468	S	*485146	48
4.876	4.881	.500	S	417494	41	4.499	4.508	.250	S	345146	34
4.876	4.881	.625	S	*455341	45	4.500	4.504	.500	U	710015	#
4.999	5.004	.468	S	455026	45	4.500	4.505	.250	S	*8892	#

SIZE SECTION

For Illustration and Material Data See Technical Section
 # Designed For A Specific Application - Not Recommended For General Use ▶ Hydrodynamic Lip Design-CW ◀ Hydrodynamic Lip Design-CCW % External Bore
 * Call 1-800-480-1212 For Price and Delivery ★ Metric Seal

Size Section

NATIONAL®



Hsg. Bore	Seal O.D.	Seal Width	Lip Mat'l	Part No.	Type/ Illus.
3.500" (3-1/2") SHAFT (cont.)					
4.500	4.506	.375	S	*477437	47
4.500	4.506	.500	S	*416414	41
4.500	4.506	.500	S	*456414	45
4.500	4.506	.500	S	*476414	47
4.500	4.506	.500	S	*486414	48
4.501	4.506	.468	S	*415991	41
4.501	4.506	.468	N	415991N	41
4.501	4.506	.468	V	415991V	41
4.501	4.506	.468	S	*455991	45
4.501	4.506	.468	N	*475991N	47
4.501	4.506	.468	N	*485991N	48
4.501	4.506	.468	V	712750	41
4.501	4.506	.500	V	4491	#
4.501	4.506	.500	H	*456414H	45
4.501	4.506	.875	S	*15305S	1S
4.501	4.511	.528	S	*355305	35
4.501	4.511	.528	N	*355305N	35
4.543	4.558	.788	S	370132A	07
4.600	6.625	.531	S	*6245S	#
4.625	4.631	.500	S	*417196	41
4.625	4.631	.500	V	*417196V	41
4.625	4.631	.500	S	*457196	45
4.625	4.631	.500	S	*477196	47
4.625	4.631	.500	S	*487196	48
4.626	4.631	.437	S	*476328	47
4.626	4.631	.437	S	*486328	48
4.626	4.631	.625	S	415170	41
4.626	4.631	.625	S	*455170	45
4.626	4.631	.625	N	*455170N	45
4.750	4.756	.500	S	*475437	47
4.750	4.756	.500	S	*485437	48
4.751	4.756	.375	N	476424N	47
4.751	4.756	.500	S	*415437	41
4.751	4.756	.500	S	*455437	45
4.751	4.756	.500	N	455437N	45
4.751	4.756	.625	S	*55173	5S
4.751	4.756	.625	S	*415173	41
4.751	4.756	.625	N	*415173N	41
4.751	4.756	.625	S	455173	45
4.751	4.756	.625	N	*455173N	45
4.751	4.756	.625	S	*475173	47
4.751	4.756	.625	S	*485173	48
4.751	4.757	.605	S	370169A	07
4.840	4.848	.897	S	*2910	#
4.841	4.848	.875	S	6638S	#
4.842	4.847	.910	T	380001A	10
4.842	4.848	.875	S	*8880	#
4.842	4.848	.925	S	370001A	09
4.864	4.964	.321	S	*200961%	200E
4.864	4.964	.321	S	*200204	200
4.875	4.881	.500	S	*417198	41
4.875	4.881	.625	S	*455255	45
4.875	4.881	.925	S	*7955	39
4.921	5.021	.321	S	*200878%	200E
4.999	5.004	.468	S	*415027	41
4.999	5.004	.468	H	415027H	41
4.999	5.004	.468	N	415027N	41
4.999	5.004	.468	S	455027	45
4.999	5.004	.468	H	*455027H	45
4.999	5.004	.468	N	455027N	45
4.999	5.004	.468	S	*475027	47
4.999	5.004	.468	S	*485027	48
4.999	5.004	.468	N	*485027N	48
4.999	5.004	.500	N	*416331N	41
4.999	5.004	.500	S	*456331	45
4.999	5.004	.500	H	*456331H	45
5.000	5.006	1.000	S	370002A	03
5.126	5.131	.500	S	*417495	41
5.126	5.131	.625	S	*415319	41
5.126	5.131	.625	N	*415319N	41
5.126	5.131	.625	S	*455319	45
5.126	5.131	.625	N	*475319N	47

Hsg. Bore	Seal O.D.	Seal Width	Lip Mat'l	Part No.	Type/ Illus.
3.500" (3-1/2") SHAFT (cont.)					
5.126	5.131	.625	N	715319	47
5.250	5.256	.500	N	*3814N	#
5.250	5.258	.562	S	6612S	#
5.251	5.256	.468	S	*415559	41
5.251	5.256	.468	S	*455559	45
5.251	5.256	.468	S	*475559	47
5.251	5.256	.468	S	*485559	48
5.500	5.505	.500	S	*417496	41
5.501	5.506	.562	S	*415262	41
5.501	5.506	.562	S	*455262	45
5.501	5.506	.562	S	*475262	47
5.501	5.506	.562	S	*485262	48
5.750	5.756	.875	L	*5961	91
5.751	5.756	.562	S	*415396	41
5.751	5.756	.562	S	*455396	45
5.751	5.756	.562	S	*475396	47
5.751	5.756	.562	S	*485396	48
5.906	7.500	.600	N	*4409N	#
6.000	6.008	1.546	S	*712130	#
89,00mm (3.504") SHAFT					
-	-	-	S	800900	VRS1
-	-	-	S	800901	VRS2
-	-	-	V	800904	VRS1
-	-	.315		99347	Redi-Sleeve
-	-	.626		99349	Redi-Sleeve
-	-	.813		99350	Redi-Sleeve
105,00	105,20	10,00	V	710189★	47
4.134	4.142	.394			
109,00	109,20	9,00	H	229004★	32
4.291	4.299	.354			
3.506" SHAFT					
.000	4.117	.453	S	710514	41
3.539" SHAFT					
5.277	5.291	.604	V	370212A	07
90,00mm (3.543") SHAFT					
-	-	-	S	800900	VRS1
-	-	-	S	800901	VRS2
-	-	-	V	800904	VRS1
-	-	.528		*99353	Redi-Sleeve
-	-	.710		99351	Redi-Sleeve
-	-	.906		99354	Redi-Sleeve
0,00	120,00	16,00	V	710454★	#
.000	4.724	.630			
99,72	100,00	7,00	S	*90X100X7★	32
3.926	3.937	.276			
99,72	100,00	12,00	S	*90X100X12★	32
3.926	3.937	.472			
104,00	104,10	11,00	V	710237★	32
4.094	4.098	.433			
104,72	105,00	12,00	S	*90X105X12★	32
4.123	4.134	.472			
104,72	105,00	13,00	S	*90X105X13★	32
4.123	4.134	.512			
108,00	108,23	10,00	N	710219★	32
4.252	4.261	.394			
109,72	110,00	10,00	S	*90X110X10★	32
4.320	4.331	.394			
110,00	110,20	9,00	H	229006★	32
4.331	4.339	.354			
110,00	110,20	12,00	S	90X110X12★	35
4.331	4.339	.472			

For Illustration and Material Data See Technical Section

Designed For A Specific Application - Not Recommended For General Use ◀ Hydrodynamic Lip Design-CCW % External Bore * Call 1-800-480-1212 For Price and Delivery

★ Metric Seal

Hsg. Bore	Seal O.D.	Seal Width	Lip Mat'l	Part No.	Type/Illus.	Hsg. Bore	Seal O.D.	Seal Width	Lip Mat'l	Part No.	Type/Illus.
90,00mm (3.543") SHAFT (cont.)						3.562" (3-9/16") SHAFT					
110,00	110,20	12,00	V	*90X110X12V★	32	-	-	-	S	800900	VRS1
4.331	4.339	.472				-	-	-	S	800901	VRS2
110,00	110,31	8,50	H	229010★◀	32	-	-	-	V	800904	VRS1
4.331	4.343	.335				-	-	.813		99356	Redi-Sleeve
110,00	110,31	12,00	V	229005★◀	32	4.499	4.504	.468	S	415498	41
4.331	4.343	.472				4.499	4.504	.468	S	*455498	45
110,00	110,31	13,00	S	*90X110X13★	35	4.499	4.504	.468	N	*455498N	45
4.331	4.343	.512				4.499	4.504	.468	S	*485498	48
110,00	110,40	12,00	T	712124★➡	FW-H	4.500	4.506	.500	V	*416113V	41
4.331	4.346	.472				4.500	4.506	.500	S	*456113	45
111,72	112,00	12,00	S	*90X112X12★	32	4.500	4.506	.500	N	*456113N	45
4.398	4.409	.472				4.625	4.631	.500	S	415711	41
112,42	112,70	13,00	S	*90X112.7X13★	32	4.626	4.631	.562	N	*476591N	47
4.426	4.437	.512				4.751	4.756	.500	S	417497	41
114,72	115,00	10,00	S	*90X115X10★	32	4.751	4.756	.625	S	*455174	45
4.517	4.528	.394				4.755	4.761	.550	S	9584&	74
114,72	115,00	13,00	S	*90X115X13★	32	4.876	4.881	.500	S	417498	41
4.517	4.528	.512				4.999	5.004	.468	L	55028	5L
115,00	115,14	17,12	S	*4789S★◀➡	#	5.751	5.756	.562	S	*455402	45
4.528	4.533	.674				3.574" SHAFT					
115,00	115,20	12,00	S	90X115X12★	32	-	-	-	S	800900	VRS1
4.528	4.535	.472				-	-	-	S	800901	VRS2
117,72	118,00	12,00	S	*90X118X12★	32	-	-	-	V	800904	VRS1
4.635	4.646	.472				4.756	4.761	.550	N	*4173	#
119,72	120,00	13,00	S	*90X120X13★	32	91,00mm (3.583") SHAFT					
4.713	4.724	.512				-	-	-	S	800900	VRS1
120,00	120,20	12,00	V	*90X120X12V★	35	-	-	-	S	800901	VRS2
4.724	4.732	.472				-	-	-	V	800904	VRS1
120,00	120,28	12,00	S	90X120X12★◀➡	32	110,00	110,26	8,50	V	229210★◀➡	32
4.724	4.735	.472				4.331	4.341	.335			
124,72	125,00	15,00	S	*90X125X15★	32	111,00	111,13	10,01	T	*100052T★◀	FW-H
4.910	4.921	.591				4.370	4.375	.394			
125,00	125,20	12,00	S	*90X125X12★	32	111,00	111,20	10,00	V	710056★◀	47
4.921	4.929	.472				4.370	4.378	.394			
125,00	125,30	13,00	S	90X125X13★	32	3.620" SHAFT					
4.921	4.933	.512				-	-	-	S	800900	VRS1
125,00	125,70	7,00	S	90X125X7★	32	-	-	-	S	800901	VRS2
4.921	4.949	.276				-	-	-	V	800904	VRS1
129,70	130,00	10,00	S	*90X130X10★	32	-	-	.811	*99360	Redi-Sleeve	
5.106	5.118	.394				4.625	4.630	.400	T	39882➡	FW-H
129,70	130,00	13,00	S	*90X130X13★	32	92,00mm (3.622") SHAFT					
5.106	5.118	.512				-	-	-	S	800900	VRS1
130,00	130,20	12,00	S	*90X130X12★	32	-	-	-	S	800901	VRS2
5.118	5.126	.472				-	-	-	V	800904	VRS1
134,70	135,00	13,00	S	*90X135X13★	32	-	-	.811	*99360	Redi-Sleeve	
5.303	5.315	.512				4.625	4.630	.400	T	39882➡	FW-H
135,00	135,20	12,00	S	*90X135X12★	32	92,00mm (3.622") SHAFT					
5.315	5.323	.472				-	-	-	S	800900	VRS1
140,00	140,20	12,00	S	*90X140X12★	32	-	-	-	S	800901	VRS2
5.512	5.520	.472				-	-	-	V	800904	VRS1
145,00	145,20	14,00	S	90X145X14★	32	-	-	.811	*99360	Redi-Sleeve	
5.709	5.717	.551				110,00	110,29	10,00	H	355660H★	35
157,86	158,00	14,27	T	39865★➡	#	4.331	4.342	.394			
6.215	6.220	.562				119,72	120,00	12,00	S	*92X120X12★	32
159,70	160,00	10,00	S	*90X160X10★	32	4.713	4.724	.472			
6.287	6.299	.394				120,00	120,24	13,00	S	92X120X13★	35
3.550" SHAFT						4.724	4.734	.512			
-	-	-	S	800900	VRS1	3.625" (3-5/8") SHAFT					
-	-	-	S	800901	VRS2	-	-	-	S	800900	VRS1
-	-	-	V	800904	VRS1	-	-	-	S	800901	VRS2
4.376	4.381	.375	N	*455923N	45	-	-	.500	99363	Redi-Sleeve	
3.557" SHAFT						-	-	.813	99362	Redi-Sleeve	
-	-	-	S	800900	VRS1	-	-				
-	-	-	S	800901	VRS2	4.240	4.256	.390	V	3909◀	35
-	-	-	V	800904	VRS1	4.240	4.256	.390	T	*100204T◀	FW-H
4.530	4.530	.320	S	*8480	#	4.249	4.254	.250	S	*47010S	4S

SIZE SECTION

Hsg. Bore	Seal O.D.	Seal Width	Lip Mat'l	Part No.	Type/ Illus.
3.625" (3-5/8") SHAFT (cont.)					
4.375	4.381	.375	S	*456744	45
4.375	4.381	.375	N	456744N	45
4.376	4.381	.375	S	417698	41
4.499	4.504	.468	S	415389	41
4.499	4.504	.468	N	415389N	41
4.499	4.504	.468	S	*455389	45
4.499	4.504	.468	H	*455389H	45
4.499	4.504	.468	V	*455389V	45
4.499	4.504	.468	S	*475389	47
4.499	4.504	.468	N	*475389N	47
4.499	4.504	.468	S	*485389	48
4.624	4.629	.500	S	*456003	45
4.624	4.630	.500	N	*487397N	48
4.624	4.630	.500	V	487397V➔	48
4.625	4.631	.437	S	416332	41
4.625	4.631	.500	S	416047	41
4.625	4.631	.500	S	*456047	45
4.625	4.631	.500	S	*476047	47
4.625	4.631	.500	S	*486047	48
4.625	4.631	.625	N	*415172N	41
4.626	4.631	.437	S	*476332	47
4.626	4.631	.437	H	*476332H	47
4.626	4.631	.437	N	*476332N	47
4.626	4.631	.437	S	*486332	48
4.626	4.631	.437	N	*486332N	48
4.626	4.631	.625	S	*415172	41
4.626	4.631	.625	V	*415172V	41
4.626	4.631	.625	S	*455172	45
4.626	4.631	.625	N	*455172N	45
4.626	4.631	.625	V	*455172V	45
4.695	4.810	.395	S	200603%	200E
4.725	4.730	.312	S	*255833	25
4.751	4.756	.484	S	*416333	41
4.751	4.756	.500	T	39703➔	FW-H
4.751	4.756	.500	T	39813➔	W-H
4.751	4.756	.500	S	415937	41
4.751	4.756	.500	S	*455937	45
4.751	4.756	.500	S	*475937	47
4.751	4.756	.500	H	*475937H	47
4.751	4.756	.500	S	*485937	48
4.751	4.756	.562	S	*455486	45
4.751	4.756	.625	S	*415175	41
4.751	4.756	.625	S	*455175	45
4.751	4.756	.625	S	*475175	47
4.751	4.756	.625	S	*485175	48
4.810	4.823	.921	S	370012A	07
4.839	4.844	.500	L	55353	5L
4.874	4.879	.585	S	485497	48
4.874	4.879	.625	S	*455947	45
4.875	4.881	.500	S	417355	41
4.875	4.881	.500	S	*457355	45
4.875	4.881	.500	S	*477355	47
4.875	4.881	.500	S	*487355	48
4.876	4.881	.625	S	*415181	41
4.876	4.881	.625	S	*455181	45
4.999	5.004	.468	S	*415029	41
4.999	5.004	.468	S	*455029	45
4.999	5.004	.468	H	*455029H	45
4.999	5.004	.468	S	*475029	47
4.999	5.004	.468	S	*485029	48
4.999	5.004	.500	S	416125	41
4.999	5.004	.500	S	*456125	45
4.999	5.004	.500	S	*476125	47
4.999	5.004	.500	S	*486125	48
5.000	5.014	.875	S	370011A	05
5.251	5.256	.437	S	417499	41
5.251	5.256	.468	S	*416335	41
5.251	5.256	.468	N	*416335N	41
5.251	5.256	.468	V	*416335V	41
5.251	5.256	.468	S	*456335	45
5.251	5.256	.468	S	*476335	47
5.251	5.256	.468	S	*486335	48

Hsg. Bore	Seal O.D.	Seal Width	Lip Mat'l	Part No.	Type/ Illus.
3.625" (3-5/8") SHAFT (cont.)					
5.375	5.381	.500	S	415832	41
5.375	5.381	.500	S	*455832	45
5.501	5.506	.500	S	417500	41
5.501	5.506	.562	S	*416389	41
5.501	5.506	.562	S	*456389	45
5.501	5.506	.562	S	*476389	47
5.751	5.756	.562	S	415436	41
5.751	5.756	.562	S	*455436	45
5.751	5.756	.562	S	*475436	47
5.751	5.756	.562	S	*485436	48
6.000	6.006	.500	S	*417650	41
3.655" SHAFT					
-	-	-	S	800900	VRS1
-	-	-	S	800901	VRS2
-	-	-	V	800904	VRS1
4.620	4.631	.270	S	*4203◄➔	#
93,00mm (3.661") SHAFT					
-	-	-	S	800950	VRS1
-	-	-	V	800954	VRS1
114.00	114.20	14.00	S	710288★◄	32
4.488	4.496	.551			
154.00	154.10	8.00	S	710266★	#
6.063	6.067	.315			
3.687" (3-11/16") SHAFT					
-	-	-	S	800950	VRS1
-	-	-	V	800954	VRS1
-	-	.313		99368	Redi-Sleeve
-	-	.813		*99359	Redi-Sleeve
-	-	.813		*99365	Redi-Sleeve
4.501	4.506	.500	V	456919V	45
4.501	4.506	.500	S	416919	41
4.501	4.506	.500	N	416919N	41
4.626	4.631	.625	S	*476124	47
4.750	4.756	.500	S	417501	41
4.999	5.004	.468	L	55030	5L
5.250	5.256	.468	S	416670	41
5.250	5.256	.468	N	*416670N	41
5.501	5.506	.500	S	417502	41
5.501	5.506	.562	S	*415269	41
3.720" SHAFT					
-	-	-	S	800950	VRS1
-	-	-	V	800954	VRS1
4.756	4.766	.640	S	*77993T	7S
3.736" SHAFT					
-	-	-	S	800950	VRS1
-	-	-	V	800954	VRS1
120.00	120.40	13.00	T	712119★➔	FW-H
4.724	4.740	.512			
3.738" SHAFT					
3.750	4.500	.500	S	*7184%	#
95,00mm (3.740") SHAFT					
-	-	-	S	800950	VRS1
-	-	-	V	800954	VRS1
-	-	.344		99374	Redi-Sleeve
-	-	.469		99364	Redi-Sleeve
-	-	.827		99369	Redi-Sleeve

For Illustration and Material Data See Technical Section

Designed For A Specific Application - Not Recommended For General Use ➔ Hydrodynamic Lip Design-CW ◄ Hydrodynamic Lip Design-CCW

Hsg. Bore	Seal O.D.	Seal Width	Lip Mat'l	Part No.	Type/Illus.	Hsg. Bore	Seal O.D.	Seal Width	Lip Mat'l	Part No.	Type/Illus.
95,00mm (3.740") SHAFT (cont.)						3.750" (3-3/4") SHAFT (cont.)					
104.72	105.00	13.00	S	*95X105X13★	32	4.626	4.631	.437	S	*476336	47
4.123	4.134	.512				4.626	4.631	.437	S	*486336	48
109.72	110.00	11.00	S	*95X110X11★	32	4.626	4.632	.500	S	416041	41
4.320	4.331	.433				4.626	4.632	.500	S	*456041	45
109.72	110.00	12.00	S	*95X110X12★	32	4.626	4.632	.500	S	*476041	47
4.320	4.331	.472				4.626	4.632	.500	S	*486041	48
110.00	110.20	10.00	S	95X110X10★	32	95,25mm (3.750") SHAFT					
4.331	4.339	.394				120.37	120.65	12.70	S	*95.25X120.65X12.7★	32
110.00	110.26	11.00	S	717005★◀	32	4.739	4.750	.500			
4.331	4.341	.433				3.750" (3-3/4") SHAFT					
113.00	113.10	10.00	V	710352★◀	47	4.750	4.756	.375	V	*486923V	48
4.449	4.453	.394				4.750	4.756	.500	V	3893V	45
114.99	115.32	12.50	T	*100203T★◀	FW-H	4.750	4.756	.500	T	39608◀	DW-H
4.527	4.540	.492				4.750	4.756	.500	T	39705▶	FW-H
115.00	115.20	13.00	V	*95X115X13V★	32	4.750	4.756	.500	T	39837◀	W-H
4.528	4.535	.512				4.751	4.756	.375	N	*486544N	48
115.00	115.25	10.00	S	717006★	45	4.751	4.756	.484	N	*415963N	41
4.528	4.537	.394				4.751	4.756	.484	V	*415963V	41
115.00	115.28	12.00	S	95X115X12★	35	4.751	4.756	.484	H	*455963H	45
4.528	4.539	.472				4.751	4.756	.484	N	*455963N	45
115.00	115.28	13.00	S	*95X115X13★	35	4.751	4.756	.500	H	2218◀	47
4.528	4.539	.512				4.751	4.756	.500	V	*4936V◀	#
115.00	115.32	12.12	T	*600305★◀	#	4.751	4.756	.500	S	415379	41
4.528	4.540	.477				4.751	4.756	.500	H	*415379H	41
115.00	115.31	12.50	V	4359V★◀	32	4.751	4.756	.500	N	*415379N	41
4.528	4.540	.492				4.751	4.756	.500	V	415379V	41
118.00	118.16	8.50	H	710060★◀	32	4.751	4.756	.500	S	455379	45
4.646	4.652	.335				4.751	4.756	.500	H	*455379H	45
119.72	120.00	8.00	S	*95X120X8★	32	4.751	4.756	.500	N	*455379N	45
4.713	4.724	.315				4.751	4.756	.500	V	455379V	45
119.72	120.00	13.00	S	*95X120X13★	32	4.751	4.756	.500	S	*475379	47
4.713	4.724	.512				4.751	4.756	.500	N	*475379N	47
120.00	120.20	12.00	V	*95X120X12V★	35	4.751	4.756	.500	S	*485379	48
4.724	4.732	.472				4.751	4.756	.500	H	*485379H	48
120.00	120.28	12.00	S	95X120X12★	32	4.751	4.756	.500	N	*485379N	48
4.724	4.735	.472				4.751	4.756	.500	S	*485379S	48
124.72	125.00	13.00	S	*95X125X13★	32	4.751	4.756	.500	N	*485379N	48
4.910	4.921	.512				4.751	4.756	.625	S	*415177	41
125.00	125.28	12.00	S	95X125X12★	35	4.751	4.756	.625	S	*455177	45
4.921	4.932	.472				4.751	4.756	.625	S	*475177	47
129.70	130.00	13.00	S	*95X130X13★	32	4.751	4.756	.625	S	*485177	48
5.106	5.118	.512				4.751	4.756	.750	N	*7776N	#
130.00	130.28	12.00	S	95X130X12★	32	4.751	4.756	.875	S	*15379S	1S
5.118	5.129	.472				4.751	4.757	.875	S	*75963S	7S
130.00	130.28	12.00	S	229520★	35	4.875	4.881	.500	S	417205	41
5.118	5.129	.472				4.875	4.881	.500	S	*457205	45
132.00	132.26	12.00	S	710085★	#	4.875	4.881	.500	S	*477205	47
5.197	5.207	.472				4.875	4.881	.500	S	*487205	48
134.70	135.00	13.00	S	*95X135X13★	32	4.876	4.881	.625	S	*415183	41
5.303	5.315	.512				4.876	4.881	.625	S	*455183	45
172.00	172.09	28.00	T	39926★▶	W-H	4.999	5.004	.250	S	45031S	4S
6.772	6.775	1.102				4.999	5.004	.468	S	*415031	41
3.750" (3-3/4") SHAFT						4.999	5.004	.468	H	*415031H	41
-	-	-	S	800950	VRS1	4.999	5.004	.468	N	*415031N	41
-	-	-	V	800954	VRS1	4.999	5.004	.468	S	455031	45
-	-	.344		99367	Redi-Sleeve	4.999	5.004	.468	N	*455031N	45
-	-	.563		99376	Redi-Sleeve	4.999	5.004	.468	S	*475031	47
-	-	.688		99372	Redi-Sleeve	4.999	5.004	.468	V	*475031V	47
4.375	-	.312	U	710035	#	4.999	5.004	.468	S	*485031	48
4.499	4.506	.468	V	*4489V	96	4.999	5.004	.500	N	*416339N	41
4.499	4.506	.468	S	415983	41	4.999	5.004	.500	S	*456339	45
4.499	4.506	.468	N	415983N	41	4.999	5.004	.500	S	*476339	47
4.499	4.506	.468	V	415983V	41	4.999	5.004	.500	S	*486339	48
4.499	4.506	.468	V	714489	96	5.000	5.004	.620	S	*8338	39
4.500	4.506	.468	V	713750	69	5.000	5.009	.370	S	*498040	49
4.501	4.506	.362	V	2377	35	5.251	5.256	.468	S	415150	41
4.501	4.506	.362	T	*100205T◀	FW-H	5.251	5.256	.468	V	*455150V	45
4.624	4.630	.535	S	*8425	#	5.251	5.256	.468	S	*475150	47
						5.251	5.256	.468	S	*485150	48

SIZE SECTION

For Illustration and Material Data See Technical Section
 # Designed For A Specific Application - Not Recommended For General Use ▶ Hydrodynamic Lip Design-CW ◀ Hydrodynamic Lip Design-CCW
 * Call 1-800-480-1212 For Price and Delivery ★ Metric Seal

Size Section

NATIONAL®

Hsg. Bore	Seal O.D.	Seal Width	Lip Mat'l	Part No.	Type/ Illus.
3.750" (3-3/4") SHAFT (cont.)					
5.375	5.381	.750	S	*7230	#
5.376	5.381	.500	S	*416127	41
5.376	5.381	.500	S	*456127	45
5.501	5.506	.500	S	417503	41
5.501	5.506	.562	S	*415423	41
5.501	5.506	.562	S	*455423	45
5.501	5.506	.562	S	*475423	47
5.501	5.506	.562	S	*485423	48
5.751	5.756	.562	S	*415852	41
5.751	5.756	.562	S	*455852	45
5.751	5.756	.562	S	*475852	47
5.751	5.756	.562	S	*485852	48
3.753" SHAFT					
-	-	-	S	800950	VRS1
-	-	-	V	800954	VRS1
-	-	.344		99367	Redi-Sleeve
-	-	.688		99372	Redi-Sleeve
4.720	4.730	.552	V	*2867V	#
96,00mm (3.780") SHAFT					
-	-	-	S	800950	VRS1
-	-	-	V	800954	VRS1
116.00	116.26	9.00	V	710262★◀	32
4.567	4.577	.354			
117.00	117.28	12.00	V	710205★◀	32
4.606	4.617	.472			
3.797" SHAFT					
-	-	-	S	800950	VRS1
-	-	-	V	800954	VRS1
4.501	4.506	.250	S	8370S	4S
3.800" SHAFT					
.000	4.590	.394	V	710520	32
3.812" (3-13/16") SHAFT					
-	-	-	S	800950	VRS1
-	-	-	V	800954	VRS1
4.751	4.756	.625	S	*455178	45
4.876	4.881	.500	S	*417504	41
4.999	5.004	.468	S	*455032	45
5.251	5.256	.468	S	*455189	45
5.251	5.256	.468	N	*455189N	45
98,00mm (3.858") SHAFT					
-	-	-	S	800950	VRS1
-	-	-	V	800954	VRS1
114.94	115.32	15.75	T	100085★◀	#
4.525	4.540	.620			
120.00	120.20	13.00	S	98X120X13★	35
4.724	4.732	.512			
3.875" (3-7/8") SHAFT					
-	-	-	S	801000	VRS1
-	-	-	V	801004	VRS1
-	-	.813		99387	Redi-Sleeve
4.626	4.631	.437	S	*476341	47
4.626	4.631	.625	S	*416342	41
4.626	4.631	.625	N	*416342N	41
4.686	4.691	.375	N	*476098N	47
4.750	4.756	.375	S	*476985	47
4.750	4.756	.375	S	*486985	48
4.750	4.756	.375	V	*486985V	48

Hsg. Bore	Seal O.D.	Seal Width	Lip Mat'l	Part No.	Type/ Illus.
3.875" (3-7/8") SHAFT (cont.)					
4.750	4.756	.500	V	*4340V	#
4.751	4.756	.375	S	*417210	41
4.751	4.756	.484	S	*456343	45
4.751	4.756	.500	S	*456981	45
4.751	4.756	.625	S	*415179	41
4.751	4.756	.625	S	*455179	45
4.751	4.756	.625	N	*455179N	45
4.751	4.756	.625	S	*475179	47
4.751	4.756	.625	S	*485179	48
4.751	4.756	.625	N	*485179N	48
4.875	4.881	.500	S	*457211	45
4.875	4.881	.500	S	*417211	41
4.875	4.881	.500	S	*477211	47
4.875	4.881	.500	S	*487211	48
4.876	4.881	.500	S	*456626	45
4.876	4.881	.625	S	*415185	41
4.876	4.881	.625	H	*415185H	41
4.876	4.881	.625	N	*415185N	41
4.876	4.881	.625	S	*455185	45
4.876	4.881	.625	N	*455185N	45
4.999	5.004	.468	S	*415033	41
4.999	5.004	.468	N	*415033N	41
4.999	5.004	.468	S	455033	45
4.999	5.004	.468	S	*475033	47
4.999	5.004	.468	S	*485033	48
4.999	5.004	.468	V	*485033V	48
4.999	5.004	.500	S	*416345	41
4.999	5.004	.500	H	*416345H	41
4.999	5.004	.500	S	*456345	45
4.999	5.004	.500	N	*456345N	45
4.999	5.004	.500	S	*476345	47
4.999	5.004	.500	S	*486345	48
5.125	5.131	.500	S	*415697	41
5.125	5.131	.500	S	*455697	45
5.125	5.131	.500	S	*475697	47
5.125	5.131	.500	S	*485697	48
5.126	5.131	.625	S	*415547	41
5.126	5.131	.625	S	455547	45
5.126	5.131	.625	N	*455547N	45
5.126	5.132	.605	S	370033A	06
5.250	5.256	.500	S	*417366	41
5.250	5.256	.500	S	*457366	45
5.250	5.256	.500	S	*477366	47
5.250	5.256	.500	S	*487366	48
5.251	5.256	.468	S	*415148	41
5.251	5.256	.468	S	*455148	45
5.251	5.256	.468	S	*475148	47
5.251	5.256	.468	S	*485148	48
5.376	5.381	.500	S	*415958	41
5.376	5.381	.500	S	455958	45
5.376	5.381	.985	S	370165A	03
5.501	5.506	.500	S	*417505	41
5.501	5.506	.562	S	*416128	41
5.501	5.506	.562	S	*456128	45
5.501	5.506	.562	S	*476128	47
5.501	5.506	.562	S	*486128	48
5.501	5.515	.875	S	370024A	11
5.690	5.706	.770	T	380023A	10
5.690	5.706	.875	S	370023A	11
5.751	5.756	.562	S	416043	41
5.751	5.756	.562	S	*456043	45
5.751	5.756	.562	S	*476043	47
5.751	5.756	.562	S	*486043	48
6.000	6.006	.390	S	*200188	200
6.064	6.070	.625	S	*456676	45
3.880" SHAFT					
-	-	-	S	801000	VRS1
-	-	-	V	801004	VRS1
5.690	5.695	.500	S	456618	45

For Illustration and Material Data See Technical Section
 # Designed For A Specific Application - Not Recommended For General Use ◀ Hydrodynamic Lip Design-CCW * Call 1-800-480-1212 For Price and Delivery ★ Metric Seal

Hsg. Bore	Seal O.D.	Seal Width	Lip Mat'l	Part No.	Type/Illus.	Hsg. Bore	Seal O.D.	Seal Width	Lip Mat'l	Part No.	Type/Illus.
3.908" SHAFT						100,00mm (3.937") SHAFT (cont.)					
-	-	-	S	801000	VRS1	129,70	130,00	13,00	S	*100X130X13★	32
-	-	-	V	801004	VRS1	5,106	5,118	.512			
4.875	4.881	.500	S	*416037	41	130,00	130,20	12,00	V	*100X130X12V★	32
3.934" SHAFT											
-	-	-	S	801000	VRS1	5,118	5,126	.472			
-	-	-	V	801004	VRS1	130,00	130,28	12,00	S	100X130X12★	32
5.905	5.911	.500	S	476517	47	5,118	5,129	.472			
100,00mm (3.937") SHAFT											
-	-	-	S	801000	VRS1	5.251	5.256	.468	S	455191	45
-	-	-	V	801004	VRS1	134,70	135,00	12,00	S	*100X135X12★	32
-	-	.813		99393	Redi-Sleeve	5,303	5,315	.472			
113,72	114,00	10,00	S	*100X114X10★	32	134,70	135,00	13,00	S	*100X135X13★	32
4,477	4,488	.394				5,303	5,315	.512			
114,00	114,10	12,00	S	710410★	47	134,70	135,00	14,00	S	*100X135X14★	32
4,488	4,492	.472				5,303	5,315	.512			
114,72	115,00	9,00	S	*100X115X9★	32	135,00	135,20	10,00	H	710351★◄	32
4,517	4,528	.354				5,315	5,323	.394			
114,72	115,00	10,00	S	*100X115X10★	32	135,00	135,20	15,00	H	710391★◄	94
4,517	4,528	.394				5,315	5,323	.591			
114,72	115,00	12,00	S	*100X115X12★	32	5,371	5,377	.906	S	6270	21
4,517	4,528	.472				5,372	5,378	1,015	S	370008A	11
119,72	120,00	11,00	S	*100X120X11★	32	5.376	5.381	.500	S	415263	41
4,713	4,724	.433				5,376	5,381	.500	S	*455263	45
119,72	120,00	13,00	S	*100X120X13★	32	5,376	5,381	.500	H	*455263H	45
4,713	4,724	.512				139,70	140,00	12,00	S	*100X140X12★	32
120,00	120,20	12,00	V	*100X120X12V★	32	5,500	5,512	.472			
4,724	4,732	.472				139,70	140,00	13,00	S	*100X140X13★	32
120,00	120,25	11,00	T	*712105★◄	W	5,500	5,512	.512			
4,724	4,734	.433				5.501	5.506	.500	S	417506	41
120,00	120,12	11,00	H	231004★	32	5,501	5,506	.562	S	*455575	45
4,724	4,735	.433				139,73	139,88	23,80	T	380009A★	03
120,00	120,28	12,00	S	231002★	35	5,501	5,507	.937			
4,724	4,735	.472				5,501	5,507	.937	S	370009A	03
120,00	120,28	12,00	S	100X120X12★	32	145,00	145,10	26,00	N	710278★	#
4,724	4,735	.472				5,709	5,713	1,024			
120,00	120,30	10,00	S	100X120X10★	35	149,70	150,00	10,00	S	*100X150X10★	32
4,724	4,736	.394				5,894	5,906	.394			
123,85	123,98	12,70	S	417967★	41	149,70	150,00	13,00	S	*100X150X13★	32
4,876	4,881	.500				5,894	5,906	.512			
123,85	123,98	12,70	S	*717003★	41	5,905	5,911	.500	S	*486517	48
4,876	4,881	.500				3.950" SHAFT					
123,85	123,98	15,88	S	455186★	45	.000	4.689	.370	V	710526	32
4,876	4,881	.625				101,00mm (3.976") SHAFT					
123,85	124,00	15,88	S	*415186★	41	-	-	-	S	801000	VRS1
4,876	4,882	.625				-	-	-	V	801004	VRS1
124,00	124,20	13,00	V	710290★◄	32	114,00	114,10	10,00	S	710371★	25
4,882	4,890	.512				4,488	4,492	.394			
124,72	125,00	10,00	S	*100X125X10★	32	3.977" SHAFT					
4,910	4,921	.394				-	-	-	S	801000	VRS1
124,72	125,00	13,00	S	*100X125X13★	32	-	-	-	V	801004	VRS1
4,910	4,921	.512				5,376	5,381	.500	S	*455608	45
125,00	125,20	12,00	V	*100X125X12V★	35	3.992" SHAFT					
4,921	4,929	.472				-	-	-	S	801000	VRS1
125,00	125,28	12,00	S	231003★	35	-	-	-	V	801004	VRS1
4,921	4,932	.472				5,875	5,881	.625	S	*417401	41
125,00	125,28	12,00	S	100X125X12★	32	4.000" SHAFT					
4,921	4,932	.472				-	-	-	S	801000	VRS1
126,72	127,00	10,00	S	*100X127X10★	32	-	-	-	V	801004	VRS1
4,989	5,000	.394				-	-	.500		99401	Redi-Sleeve
4.999	5.004	.468	S	415034	41	-	-	.600		99395	Redi-Sleeve
4,999	5,004	.468	S	455034	45	-	-	.650		99400	Redi-Sleeve
4,999	5,004	.468	N	*455034N	45	-	-	.813		99399	Redi-Sleeve
4,999	5,004	.468	V	*455034V	45	-	-				
4,999	5,004	.500	S	*416350	41	-	-				
4,999	5,004	.500	S	*456350	45	-	-				
129,70	130,00	10,00	S	*100X130X10★	32	4,104	4,906	.821	S	*7390%	#
5,106	5,118	.394									

SIZE SECTION

For Illustration and Material Data See Technical Section
 # Designed For A Specific Application - Not Recommended For General Use ◄ Hydrodynamic Lip Design-CCW % External Bore * Call 1-800-480-1212 For Price and Delivery
 ★ Metric Seal

Hsg. Bore	Seal O.D.	Seal Width	Lip Mat'l	Part No.	Type/ Illus.
4.000" SHAFT (cont.)					
4.562	4.568	.375	H	*2093H	33
4.562	4.568	.375	S	*335924	33
4.562	4.568	.375	H	*335924H	33
4.562	4.568	.375	N	335924N	33
4.625	4.634	.312	U	710036	#
4.750	4.750	.500	S	*7183%	#
4.750	4.756	.562	S	457294	45
4.750	4.760	.313	U	710031	#
4.876	4.881	.250	S	45187S	4S
4.876	4.881	.625	S	415187	41
4.921	4.932	.512	H	710061◀	32
4.998	5.004	.375	N	*457382N	45
4.998	5.006	.500	S	327215	32
4.999	5.004	.375	S	475845	47
4.999	5.004	.468	S	415035	41
4.999	5.004	.468	N	*415035N	41
4.999	5.004	.468	V	415035V	41
4.999	5.004	.468	S	*475035	47
4.999	5.004	.468	H	*475035H	47
4.999	5.004	.468	S	*485035	48
4.999	5.004	.468	N	*485035N	48
4.999	5.004	.468	H	710022	45
4.999	5.004	.469	V	*4713V◀⇒	#
4.999	5.004	.469	V	714713◀⇒	96
4.999	5.004	.500	S	415953	41
4.999	5.004	.500	H	*415953H	41
4.999	5.004	.500	N	*415953N	41
4.999	5.004	.500	V	415953V	41
4.999	5.004	.500	S	*455953	45
4.999	5.004	.500	H	*455953H	45
4.999	5.004	.500	N	*455953N	45
4.999	5.004	.500	S	*475953	47
4.999	5.004	.500	H	*475953H	47
4.999	5.004	.500	S	*485953	48
4.999	5.004	.625	H	*75549H	7S
4.999	5.005	.468	S	455035	45
4.999	5.005	.468	N	455035N	45
4.999	5.005	.500	T	37939◀	PDW
4.999	5.008	.312	S	345035	34
5.000	5.005	.312	N	*456967N	45
5.000	5.005	.312	V	456967V	45
5.000	5.005	.500	T	39723⇒	FW-H
5.122	5.131	.378	V	*475252V	47
5.125	5.130	.312	V	*457649V	45
5.125	5.131	.500	S	417356	41
5.125	5.131	.500	S	*457356	45
5.125	5.131	.500	S	*477356	47
5.125	5.131	.500	S	*487356	48
5.126	5.131	.625	S	*415188	41
5.126	5.131	.625	S	455188	45
5.248	5.254	.605	S	*370087A	06
5.250	5.256	.375	N	*456946N	45
5.250	5.256	.500	S	417357	41
5.250	5.256	.500	S	*457357	45
5.250	5.256	.500	S	*477357	47
5.250	5.256	.500	S	*487357	48
5.250	5.256	.625	S	*8475	39
5.251	5.256	.468	S	*415192	41
5.251	5.256	.468	N	415192N	41
5.251	5.256	.468	S	455192	45
5.251	5.256	.468	S	*475192	47
5.251	5.256	.468	N	*475192N	47
5.251	5.256	.468	S	*485192	48
5.374	5.379	.500	S	*455512	45
5.375	5.381	.500	S	*476130	47
5.375	5.381	.500	S	*486130	48
5.375	5.381	1.000	S	370015A	03
5.375	5.475	.375	S	*200799%	200E
5.376	5.381	.500	S	416130	41
5.376	5.381	.500	S	*456130	45
5.500	5.506	.500	S	*456887	45
5.500	5.506	.562	N	*415036N	41

Hsg. Bore	Seal O.D.	Seal Width	Lip Mat'l	Part No.	Type/ Illus.
4.000" SHAFT (cont.)					
5.501	5.506	.562	S	415036	41
5.501	5.506	.562	S	*455036	45
5.501	5.506	.562	S	*475036	47
5.501	5.506	.562	S	*485036	48
5.510	5.560	.320	S	*200947%	200E
5.626	5.631	.500	S	*415513	41
5.626	5.631	.500	S	455513	45
5.626	5.631	.500	N	*455513N	45
5.626	5.632	.375	S	417507	41
5.626	5.632	.605	S	370066A	06
5.689	5.695	.500	S	*456873	45
5.696	5.700	.850	S	*4269	74
5.751	5.756	.562	S	415041	41
5.751	5.756	.562	N	*415041N	41
5.751	5.756	.562	S	*455041	45
5.751	5.756	.562	S	*475041	47
5.751	5.756	.562	S	*485041	48
5.755	5.822	.562	S	*4235%	#
5.757	5.772	.930	S	370036A	09
5.757	5.772	.930	T	380036A	10
5.757	5.798	.600	S	370349A=	02
5.999	6.005	.500	S	417509	41
5.999	6.007	.625	S	*415201	41
5.999	6.007	.625	S	*455201	45
5.999	6.007	.625	S	*475201	47
5.999	6.007	.625	S	*485201	48
6.250	6.256	.500	S	417223	41
6.250	6.256	.562	S	*415054	41
6.250	6.256	.562	S	*455054	45
6.250	6.256	.562	S	*475054	47
6.250	6.256	.562	S	*485054	48
6.312	6.318	.500	S	*417123	41
6.312	6.318	.500	S	*477123	47
6.375	6.382	.500	S	*476816	47
102,00mm (4.016") SHAFT					
-	-	-	S	801000	VRS1
-	-	-	V	801004	VRS1
125,00	125,20	12,00	S	*102X125X12★	32
4.921	4.929	.472			
130,00	130,28	13,00	S	102X130X13★	35
5.118	5.129	.512			
4.040" SHAFT					
5.122	5.130	.945	S	370198A	09
4.050" SHAFT					
-	-	-	S	801000	VRS1
-	-	-	V	801004	VRS1
5.501	5.506	.671	S	6864S	45
4.062" (4-1/16") SHAFT					
-	-	-	S	801000	VRS1
-	-	-	V	801004	VRS1
5.035	5.197	.320	S	*8481%	46
5.372	5.378	.627	S	*9586	#
5.500	5.509	.597	S	*2155◀⇒	#
5.501	5.506	.562	S	455037	45
6.191	6.197	.625	S	*57831	5S
4.125" (4-1/8") SHAFT					
-	-	-	S	801000	VRS1
-	-	-	V	801004	VRS1
-	-	.813		99412	Redi-Sleeve
4.999	5.004	.468	N	6565N	41
4.999	5.004	.468	S	*415134	41
4.999	5.004	.468	N	*415134N	41

For Illustration and Material Data See Technical Section

Designed For A Specific Application - Not Recommended For General Use ⇒ Hydrodynamic Lip Design-CW ◀ Hydrodynamic Lip Design-CCW

Hsg. Bore	Seal O.D.	Seal Width	Lip Mat'l	Part No.	Type/Illus.	Hsg. Bore	Seal O.D.	Seal Width	Lip Mat'l	Part No.	Type/Illus.
4.125" (4-1/8") SHAFT (cont.)						4.166" SHAFT (cont.)					
4.999	5.004	.625	H	*77929H	7S	5.625	6.800	.210	S	2064§	#
4.999	5.005	.468	S	*455134	45	106,00mm (4.173") SHAFT					
4.999	5.005	.468	H	*455134H	45	-	-	-	S	801100	VRS1
4.999	5.005	.468	N	*455134N	45	-	-	-	V	801104	VRS1
4.999	5.005	.468	V	*455134V	45	123,00	123,10	11,00	S	710295★	47
4.999	5.005	1.037	T	37921◀	PDW	4.843	4.846	.433			
5.126	5.131	.625	S	*455393	45	125,72	126,00	12,00	S	*106X126X12★	32
5.126	5.132	.500	S	*417511	41	4.950	4.961	.472			
5.251	5.256	.375	S	*447583	44	126,00	126,20	12,00	H	710366★◀	32
5.251	5.256	.468	S	*415142	41	4.961	4.969	.472			
5.251	5.256	.468	S	*455142	45	5.374	5.390	.690	T	*78048	7S
5.375	5.381	.605	S	370094A	06	4.187" (4-3/16") SHAFT					
5.375	5.585	1.460	S	*8557	39	-	-	-	S	801100	VRS1
5.501	5.506	.500	S	*417512	41	-	-	-	V	801104	VRS1
5.751	5.756	.562	S	*415043	41	-	-	.813		*99418	Redi-Sleeve
6.000	6.007	.625	S	455203	45	4.999	5.004	.375	S	*418038	41
6.250	6.256	.562	S	455056	45	4.999	5.004	.468	S	*415295	41
6.296	6.302	.390	S	*200198	200	4.999	5.004	.468	H	*415295H	41
105,00mm (4.134") SHAFT						4.999	5.004	.468	S	*455295	45
-	-	-	S	801000	VRS1	5.125	5.131	.500	V	*455081V	45
-	-	-	V	801004	VRS1	5.250	5.256	.468	H	*485194H	48
-	-	.787		*99413	Redi-Sleeve	5.251	5.256	.468	S	*455194	45
120,00	120,20	11,00	H	231052★	32	5.500	5.506	.500	S	*456889	45
4.724	4.732	.433				5.501	5.506	.500	S	417513	41
124,72	125,00	12,00	S	*105X125X12★	32	5.501	5.506	.562	S	*415039	41
4.910	4.921	.472				5.501	5.506	.562	N	*415039N	41
125,00	125,28	13,00	S	105X125X13★	32	5.501	5.506	.562	S	*455039	45
4.921	4.932	.512				5.751	5.756	.500	S	*417514	41
129,70	130,00	13,00	S	*105X130X13★	32	5.751	5.756	.562	S	*415044	41
5.106	5.118	.512				5.751	5.756	.562	S	*455044	45
129,70	130,00	15,00	S	*105X130X15★	32	5.999	6.007	.625	S	*455204	45
5.106	5.118	.591				6.000	6.007	.500	S	417515	41
130,00	130,16	11,00	T	712107★➡	FW-H	6.000	6.007	.625	S	*416673	41
5.118	5.124	.433				6.000	6.007	.625	N	*416673N	41
130,00	130,20	12,00	V	*105X130X12V★	32	6.250	6.256	.500	S	417516	41
5.118	5.126	.472				6.250	6.256	.500	V	*417516V	41
130,00	130,25	12,00	V	712004★◀	32	6.250	6.256	.562	S	*455057	45
5.118	5.128	.472				6.373	6.381	.625	S	*455625	45
130,00	130,28	12,00	S	105X130X12★	32	4.250" (4-1/4") SHAFT					
5.118	5.129	.472				-	-	-	S	801100	VRS1
134,70	135,00	13,00	S	*105X135X13★	32	-	-	-	V	801104	VRS1
5.303	5.315	.512				-	-	.813		*99424	Redi-Sleeve
134,70	135,00	14,00	S	*105X135X14★	32	5.125	5.130	.360	S	*3369	#
5.303	5.315	.551				5.250	5.253	.790	S	*77980	7S
134,70	135,00	15,00	S	*105X135X15★	32	5.250	5.256	.250	S	47150S	4S
5.303	5.315	.591				5.250	5.256	.500	S	416556	41
135,00	135,20	12,00	S	*105X135X12★	32	5.250	5.256	.500	S	*456556	45
5.315	5.323	.472				5.250	5.256	.500	S	*476556	47
135,00	135,20	14,50	V	710349★◀	#	5.250	5.256	.500	S	*486556	48
5.315	5.323	.571				5.250	5.260	.590	S	*7234	#
139,70	140,00	13,00	S	*105X140X13★	32	5.251	5.256	.375	S	*452157	45
5.500	5.512	.512				5.251	5.256	.375	S	*472157	47
139,70	140,00	15,00	S	*105X140X15★	32	5.251	5.256	.375	N	*482157N	48
5.500	5.512	.591				5.251	5.256	.468	S	*415195	41
140,00	140,28	12,00	S	105X140X12★	32	5.251	5.256	.468	N	*415195N	41
5.512	5.523	.472				5.251	5.256	.468	S	455195	45
144,70	145,00	15,00	S	*105X145X15★	32	5.251	5.256	.468	H	*455195H	45
5.697	5.709	.591				5.251	5.256	.468	V	*455195V	45
145,00	145,20	12,00	S	*105X145X12★	32	5.251	5.256	.468	S	*475195	47
5.709	5.717	.472				5.251	5.256	.468	N	*475195N	47
160,00	160,20	15,00	S	*105X160X15★	32	5.251	5.256	.468	S	*485195	48
6.299	6.307	.591				5.251	5.256	.625	S	*415712	41
4.166" SHAFT						5.251	5.256	.625	S	*455712	45
-	-	-	S	801100	VRS1	5.251	5.256	.625	N	*455712N	45
-	-	-	V	801104	VRS1						
5.500	5.506	.605	S	370106A	06						
5.501	5.506	.600	S	9128S◀➡	45						
5.502	5.506	.600	S	*2082◀➡	45						

SIZE SECTION

For Illustration and Material Data See Technical Section
 # Designed For A Specific Application - Not Recommended For General Use ➡ Hydrodynamic Lip Design-CW ◀ Hydrodynamic Lip Design-CCW
 ◀➡ Hydrodynamic Lip Design-Bidirectional § Inside Diameter-Rides On Ball * Call 1-800-480-1212 For Price and Delivery ★ Metric Seal

Hsg. Bore	Seal O.D.	Seal Width	Lip Mat'l	Part No.	Type/ Illus.
4.250" (4-1/4") SHAFT (cont.)					
5.375	5.381	.500	S	*475196	47
5.376	5.381	.500	S	*415196	41
5.376	5.381	.500	H	*415196H	41
5.376	5.381	.500	N	*415196N	41
5.376	5.381	.500	S	*455196	45
5.376	5.381	.500	N	*455196N	45
5.376	5.381	.500	S	*485196	48
5.500	5.506	.500	S	*416891	41
5.500	5.506	.500	S	*456891	45
5.500	5.506	.500	S	*476891	47
5.500	5.506	.500	S	*486891	48
5.501	5.506	.562	S	*415040	41
5.501	5.506	.562	N	*415040N	41
5.501	5.506	.562	S	*455040	45
5.501	5.506	.562	H	*455040H	45
5.501	5.506	.562	N	*455040N	45
5.501	5.506	.562	S	*475040	47
5.501	5.506	.562	S	*485040	48
5.625	5.631	.500	S	*476135	47
5.625	5.631	.500	S	*486135	48
5.626	5.631	.500	S	*416135	41
5.626	5.631	.500	S	*456135	45
5.751	5.756	.562	S	*415045	41
5.751	5.756	.562	S	*455045	45
5.751	5.756	.562	S	*475045	47
5.751	5.756	.562	S	*485045	48
5.876	5.881	.500	V	*457661V	45
5.876	5.881	.625	S	*416136	41
5.876	5.881	.625	N	*416136N	41
5.876	5.881	.625	N	*456136N	45
5.876	5.881	.625	V	*456136V	45
5.999	6.005	.500	S	*416137	41
5.999	6.007	.625	S	*415205	41
5.999	6.007	.625	S	*455205	45
5.999	6.007	.625	N	*455205N	45
5.999	6.007	.625	S	*475205	47
5.999	6.007	.625	S	*485205	48
6.000	6.008	1.000	T	380065A	10
6.008	6.022	1.000	S	370065A	09
6.035	6.047	.915	S	370107A	03
6.048	6.048	.680	S	376590A=	04
6.126	6.133	.500	S	*417518	41
6.127	6.132	.625	S	*455473	45
6.250	6.256	.562	S	*415058	41
6.250	6.256	.562	S	*455058	45
6.250	6.256	.562	S	*475058	47
6.250	6.256	.562	S	*485058	48
6.250	6.256	1.188	S	370031A	09
6.250	6.256	1.188	T	380031A	10
6.750	6.757	.625	S	*417452	41
108,00mm (4.252") SHAFT					
-	-	-	S	801100	VRS1
-	-	-	V	801104	VRS1
-	-	.813	-	99424	Redi-Sleeve
153.62	153.62	17.27	T	386590A★	10
6.007	6.048	.580	-	-	-
4.265" SHAFT					
6.064	6.071	.605	S	370030A	06
4.312" (4-5/16") SHAFT					
-	-	-	S	801100	VRS1
-	-	-	V	801104	VRS1
5.376	5.381	.500	S	*456141	45
5.501	5.506	.562	S	455197	45
5.501	5.506	.562	N	455197N	45
5.501	5.506	.562	H	*485197H	48
5.751	5.756	.500	S	*417520	41

Hsg. Bore	Seal O.D.	Seal Width	Lip Mat'l	Part No.	Type/ Illus.
4.312" (4-5/16") SHAFT (cont.)					
5.751	5.756	.562	S	*455046	45
5.999	6.005	.500	S	416144	41
5.999	6.007	.625	S	*455206	45
6.250	6.256	.500	S	*417238	41
6.250	6.256	.562	S	*455059	45
6.250	6.256	.562	N	*455059N	45
4.330" SHAFT					
5.118	5.130	.396	V	325776	32
110,00mm (4.331") SHAFT					
-	-	-	S	801100	VRS1
-	-	-	V	801104	VRS1
-	-	.509	-	99435	Redi-Sleeve
124.72	125.00	12.00	S	*110X125X12★	32
4.910	4.921	.472	-	-	-
129.70	130.00	13.00	S	*110X130X13★	32
5.106	5.118	.512	-	-	-
130.00	130.18	12.70	V	2261★	32
5.118	5.125	.500	-	-	-
130.00	130.20	12.00	V	*110X130X12V★	32
5.118	5.126	.472	-	-	-
130.00	130.28	12.00	S	110X130X12★	32
5.118	5.129	.472	-	-	-
130.00	130.40	13.00	T	712112★	W
5.118	5.134	.512	-	-	-
135.00	135.20	12.00	S	*110X135X12★	32
5.315	5.323	.472	-	-	-
135.00	135.30	13.00	S	110X135X13★	32
5.315	5.327	.512	-	-	-
139.70	140.00	14.00	S	*110X140X14★	32
5.500	5.512	.551	-	-	-
140.00	140.23	13.00	S	110X140X13★	32
5.512	5.521	.512	-	-	-
140.00	140.28	12.00	S	110X140X12★	32
5.512	5.523	.472	-	-	-
140.00	140.28	12.00	V	*110X140X12V★	32
5.512	5.523	.472	-	-	-
144.70	145.00	14.00	S	*110X145X14★	32
5.697	5.709	.551	-	-	-
145.00	145.20	12.00	S	*110X145X12★	32
5.709	5.717	.472	-	-	-
145.00	145.30	13.00	S	110X145X13★	35
5.709	5.720	.512	-	-	-
149.70	150.00	13.00	S	*110X150X13★	32
5.894	5.906	.512	-	-	-
150.00	150.28	15.00	S	110X150X15★	35
5.906	5.917	.591	-	-	-
155.00	155.20	15.00	S	*110X155X15★	32
6.102	6.110	.591	-	-	-
159.70	160.00	12.00	S	*110X160X12★	32
6.287	6.299	.472	-	-	-
160.00	160.20	15.00	S	*110X160X15★	32
6.299	6.307	.591	-	-	-
166.70	167.00	17.00	S	*110X167X17★	32
6.563	6.575	.669	-	-	-
169.70	170.00	12.00	S	*110X170X12★	32
6.681	6.693	.472	-	-	-
170.00	170.18	12.70	S	476518★	47
6.693	6.700	.500	-	-	-
4.375" (4-3/8") SHAFT					
-	3.127	.500	S	*55522	5S
5.373	5.500	.570	N	7354N%	8S
5.373	5.500	.570	V	7354V%	8S
5.375	-	.500	S	*4291	#
5.375	5.425	.500	V	4291V%	#
5.376	5.381	.500	S	415425	41
5.376	5.381	.500	V	*415425V	41

For Illustration and Material Data See Technical Section

Designed For A Specific Application - Not Recommended For General Use ◀ Hydrodynamic Lip Design-CCW % External Bore = w/Metal ID

* Call 1-800-480-1212 For Price and Delivery ★ Metric Seal

Hsg. Bore	Seal O.D.	Seal Width	Lip Mat'l	Part No.	Type/Illus.	Hsg. Bore	Seal O.D.	Seal Width	Lip Mat'l	Part No.	Type/Illus.
4.375" (4-3/8") SHAFT (cont.)						114,00mm (4.488") SHAFT (cont.)					
5.500	5.506	.500	S	416380	41	—	—	—	V	801104	VRS1
5.500	5.506	.500	S	*456380	45	135.00	135.25	13.00	S	713163★◀	47
5.500	5.506	.500	S	*476380	47	5.315	5.325	.512			
5.500	5.506	.500	S	*486380	48	140.00	140.28	13.00	S	114X140X13★	32
5.501	5.506	.500	T	39849➔	FW-H	5.512	5.523	.512			
5.501	5.506	.562	S	*3203	47	4.500" (4-1/2") SHAFT					
5.501	5.506	.562	S	*415198	41	5.250	5.256	.437	S	*335821	33
5.501	5.506	.562	H	*415198H	41	5.250	5.256	.437	H	*335821H	33
5.501	5.506	.562	S	455198	45	5.251	5.259	.437	S	327303	32
5.501	5.506	.562	N	*455198N	45	5.374	5.391	.984	S	370124A	07
5.501	5.506	.562	S	*475198	47	5.375	5.381	.531	S	*456494	45
5.501	5.506	.562	S	*485198	48	5.376	5.381	.437	S	417530	41
5.626	5.631	.500	S	416147	41	5.500	5.506	.500	S	416888	41
5.751	5.756	.562	S	415047	41	5.500	5.506	.500	S	*456888	45
5.751	5.756	.562	S	*455047	45	5.500	5.506	.500	N	*456888N	45
5.751	5.756	.562	S	*475047	47	5.500	5.506	.500	V	*456888V	45
5.755	5.705	.840	T	*100253&	#	5.500	5.506	.500	S	*476888	47
5.757	5.763	1.000	S	370037A	03	5.500	5.506	.500	V	*476888V	47
5.757	5.798	.600	S	370338A=	02	5.500	5.506	.500	S	*486888	48
5.905	5.910	1.000	S	370182A	08	5.500	5.506	.500	H	*486888H	48
5.905	5.911	1.000	S	370048A	03	5.500	5.506	.562	S	455200	45
5.905	5.918	1.015	T	380048A	10	5.500	5.506	.562	N	455200N	45
5.999	6.005	.500	S	416149	41	5.500	5.506	.562	V	*455200V	45
5.999	6.007	.500	N	*476149N	47	5.500	5.507	.500	V	416888V	41
5.999	6.007	.625	S	*415207	41	5.500	5.515	.675	S	370178A	07
5.999	6.007	.625	S	*455207	45	5.501	5.506	.500	N	*456030N	45
5.999	6.007	.625	S	*475207	47	5.501	5.506	.562	S	*3275	47
5.999	6.007	.625	S	*485207	48	5.501	5.506	.562	F	*295200	29
6.064	6.071	.625	S	*455861	45	5.501	5.506	.562	S	*415200	41
6.064	6.071	.625	S	6635S	45	5.501	5.506	.562	N	*415200N	41
6.125	6.131	.500	S	417522	41	5.501	5.506	.562	V	*415200V	41
6.125	6.131	.500	V	*417522V	41	5.501	5.506	.562	S	*475200	47
6.125	6.131	.562	S	*456150	45	5.501	5.506	.562	S	*485200	48
6.127	6.132	.625	S	*415573	41	5.501	5.507	.380	S	*477439	47
6.250	6.256	.562	L	*55060	5L	5.501	5.511	.500	S	355200	35
6.250	6.256	.562	S	*55060S	5S	5.512	5.518	.562	S	*455943	45
6.250	6.256	.562	S	415060	41	5.625	5.631	.500	S	416153	41
6.250	6.256	.562	S	455060	45	5.625	5.631	.500	V	*416153V	41
6.250	6.256	.562	S	*475060	47	5.625	5.631	.500	S	456153	45
6.250	6.256	.562	S	*485060	48	5.625	5.631	.500	S	*476153	47
6.251	6.256	.605	S	370019A	06	5.625	5.631	.500	S	*486153	48
6.311	6.317	1.090	S	370034A	03	5.750	5.756	.500	S	416892	41
112,00mm (4.409") SHAFT						5.750	5.756	.500	S	*456892	45
—	—	—	S	801100	VRS1	5.750	5.756	.500	S	*476892	47
—	—	—	V	801104	VRS1	5.750	5.756	.562	S	*455049	45
135.00	135.20	15.00	S	*112X135X15★	32	5.750	5.756	.960	S	370022A	09
5.315	5.323	.591				5.750	5.756	.960	T	380022A	10
140.00	140.32	13.00	S	112X140X13★	35	5.751	5.756	.562	S	*415049	41
5.512	5.524	.512				5.751	5.756	.562	S	*475049	47
141.70	142.00	14.00	S	*112X142X14★	32	5.751	5.756	.562	S	*485049	48
5.579	5.591	.551				5.751	5.870	.250	S	*7042S%	#
145.00	145.20	15.00	S	*112X145X15★	32	5.876	5.881	.500	S	417531	41
5.709	5.717	.591				5.876	5.881	.625	S	*415342	41
150.00	150.20	15.00	S	*112X150X15★	32	5.876	5.881	.625	S	*455342	45
5.906	5.913	.591				5.876	5.892	.984	S	370131A	11
4.437" (4-7/16") SHAFT						5.876	5.892	.984	T	380131A	10
—	—	—	S	801100	VRS1	5.999	6.007	.500	S	416154	41
—	—	—	V	801104	VRS1	5.999	6.007	.500	S	*476154	47
—	—	1.000		*99439	Redi-Sleeve	5.999	6.007	.625	S	*415209	41
5.500	5.506	.500	S	417295	41	5.999	6.007	.625	N	*415209N	41
5.500	5.506	.562	S	457295	25	5.999	6.007	.625	S	*475209	47
5.751	5.756	.500	S	417525	41	5.999	6.007	.625	S	*485209	48
5.999	6.007	.500	S	417526	41	6.000	6.007	.984	S	370020A	03
114,00mm (4.488") SHAFT						6.001	6.007	.500	S	*456800	45
—	—	—	S	801100	VRS1	6.001	6.007	.625	S	*455209	45
						6.125	6.131	.562	S	416070	41
						6.127	6.132	.562	S	*455601	45
						6.250	6.256	.500	S	415351	41
						6.250	6.256	.500	S	*455351	45

SIZE SECTION

For Illustration and Material Data See Technical Section
 # Designed For A Specific Application - Not Recommended For General Use ➔ Hydrodynamic Lip Design-CW ◀ Hydrodynamic Lip Design-CCW % External Bore
 & Flanged O.D. = w/Metal ID * Call 1-800-480-1212 For Price and Delivery ★ Metric Seal

Size Section

NATIONAL®

Hsg. Bore	Seal O.D.	Seal Width	Lip Mat'l	Part No.	Type/ Illus.
4.500" (4-1/2") SHAFT (cont.)					
6.250	6.256	.562	S	*415062	41
6.250	6.256	.562	H	*415062H	41
6.250	6.256	.562	S	455062	45
6.250	6.256	.562	N	*455062N	45
6.250	6.256	.562	S	*475062	47
6.250	6.256	.562	S	*485062	48
6.250	6.257	.820	S	*9587&	#
6.251	6.265	.610	S	370021A	09
6.305	6.313	.954	S	*2704	#
6.307	6.313	1.141	S	*9907	Redi-Sleeve
6.310	6.316	1.175	S	370086A	03
6.374	6.382	.500	S	417532	41
6.374	6.382	.625	S	*455325	45
6.441	6.447	.937	S	370192A	03
6.622	6.629	1.093	S	370078A	03
115,00mm (4.528") SHAFT					
-	-	-	S	801100	VRS1
-	-	-	V	801104	VRS1
-	-	.813		99452	Redi-Sleeve
135.00	135.20	10.00	V	710258★◄	32
5.315	5.323	.394			
135.00	135.20	15.00	S	*115X135X15★	32
5.315	5.323	.591			
139.70	140.00	13.00	S	*115X140X13★	32
5.500	5.512	.512			
139.70	140.00	14.00	S	*115X140X14★	32
5.500	5.512	.551			
140.00	140.20	12.00	V	*115X140X12V★	35
5.512	5.520	.472			
140.00	140.28	12.00	S	115X140X12★	32
5.512	5.523	.472			
144.70	145.00	16.00	S	*115X145X16★	32
5.697	5.709	.630			
145.00	145.20	14.00	S	115X145X14★◄◄	32
5.709	5.717	.551			
145.00	145.20	15.00	S	*115X145X15★	32
5.709	5.717	.591			
145.00	145.30	13.00	S	115X145X13★	35
5.709	5.720	.512			
146.20	146.50	13.00	S	*115X146.5X13★	32
5.756	5.768	.512			
149.70	150.00	15.00	S	*115X150X15★	32
5.894	5.906	.591			
150.00	150.28	12.00	S	115X150X12★	35
5.906	5.917	.472			
155.00	155.20	15.00	S	*115X155X15★	32
6.102	6.110	.591			
156.00	156.10	28.00	S	710372★	#
6.142	6.146	1.102			
158.70	159.00	14.00	S	*115X159X14★	32
6.248	6.260	.551			
160.00	160.20	15.00	S	*115X160X15★	32
6.299	6.307	.591			
4.550" SHAFT					
5.500	5.570	.350	S	*200856%	200
5.500	5.662	.350	S	*8482	#
4.562" (4-9/16") SHAFT					
5.312	5.317	.250	S	*447722	44
5.512	5.517	.250	S	*447717	44
5.751	5.756	.500	S	417533	41
5.999	6.007	.500	S	417534	41
6.250	6.256	.500	S	457585	45

Hsg. Bore	Seal O.D.	Seal Width	Lip Mat'l	Part No.	Type/ Illus.
116,00mm (4.567") SHAFT					
131.70	132.00	12.00	S	*116X132X12★	32
5.185	5.197	.472			
116,50mm (4.587") SHAFT					
135.00	135.30	13.00	V	*355590V★◄◄	35
5.315	5.327	.512			
4.625" (4-5/8") SHAFT					
-	-	.438		*99465	Redi-Sleeve
-	-	1.000		99463	Redi-Sleeve
.000	5.998	.580	T	386025A	10
5.500	5.506	.562	H	456641	45
5.501	5.506	.655	H	*77558H	7S
5.625	5.631	.500	S	416156	41
5.751	5.756	.500	S	*415634	41
5.751	5.756	.562	S	415371	41
5.751	5.756	.562	N	*415371N	41
5.751	5.756	.562	S	*455371	45
5.751	5.756	.562	N	*455371N	45
5.751	5.756	.562	S	*475371	47
5.751	5.756	.562	S	*485371	48
5.875	5.881	.625	S	455685	45
5.875	5.881	.625	N	*455685N	45
5.999	6.005	.937	T	380025A	10
5.999	6.006	.890	S	370216A	11
5.999	6.007	.500	S	416158	41
5.999	6.007	.500	S	*476158	47
5.999	6.007	.625	S	*455211	45
5.999	6.007	.625	S	*475211	47
5.999	6.007	.625	S	*485211	48
5.999	6.008	.840	S	370025A	11
6.000	7.125	.987	H	*8548H	#
6.001	6.007	.625	S	*415211	41
6.125	6.131	.562	S	*415970	41
6.125	6.131	.562	H	*415970H	41
6.186	6.192	1.250	V	*2505V	89
6.186	6.192	1.250	S	2505	89
6.250	6.256	.500	S	*417246	41
6.250	6.256	.562	S	415064	41
6.250	6.256	.562	S	*455064	45
6.250	6.256	.562	S	*475064	47
6.250	6.256	.562	S	*485064	48
6.250	6.257	.550	S	*9588&	#
6.622	6.629	1.093	S	6886S	21
6.622	6.629	1.093	S	7700S	21
6.622	6.629	1.093	S	370051A	03
4.635" SHAFT					
6.007	6.014	.937	S	370026A	03
118,00mm (4.646") SHAFT					
5.751	5.756	.500	T	39952★	FW-H
173.00	173.80	28.00	S	710089★	#
6.811	6.843	1.102			
4.647" SHAFT					
6.309	6.318	.625	S	*4591	#
4.687" (4-11/16") SHAFT					
-	-	.812		99468	Redi-Sleeve
5.750	5.762	.565	V	*325378◄◄	32
5.751	5.756	.500	S	415284	41
5.751	5.756	.562	S	*455378	45
5.751	5.756	.562	H	455378H	45
5.751	5.756	.562	N	*455378N	45

For Illustration and Material Data See Technical Section

Designed For A Specific Application - Not Recommended For General Use ◄ Hydrodynamic Lip Design-CCW ◄◄ Hydrodynamic Lip Design-Bidirectional % External Bore & Flanged O.D. * Call 1-800-480-1212 For Price and Delivery ★ Metric Seal

Hsg. Bore	Seal O.D.	Seal Width	Lip Mat'l	Part No.	Type/Illus.	Hsg. Bore	Seal O.D.	Seal Width	Lip Mat'l	Part No.	Type/Illus.
4.687" (4-11/16") SHAFT (cont.)						4.740" SHAFT					
5.751	5.756	.750	S	6329S	7S	-	7.575	.410	S	*6701	#
5.999	6.007	.500	S	417535	41	-	7.625	.410	S	*6701SS0	#
6.001	6.007	.280	S	*487806	48	4.750" (4-3/4") SHAFT					
6.002	6.007	.250	S	45637S	4S	-	-	.500		99475	Redi-Sleeve
6.250	6.256	.500	S	417536	41	5.375	-	.312	U	*710037	#
6.374	6.382	.500	S	417537	41	5.750	5.756	.500	S	*415138	41
6.500	6.514	.500	T	*325277T➔	32	5.750	5.756	.500	N	*415138N	41
6.500	6.514	.500	T	*325277TL◄	32	5.750	5.756	.500	S	*455138	45
6.850	6.865	.551	S	*4610	35	5.750	5.756	.500	N	*455138N	45
4.720" SHAFT						5.750	5.756	.500	S	*475138	47
-	-	.787		99473	Redi-Sleeve	5.750	5.756	.500	H	*475138H	47
6.312	6.318	.473	S	*457734	45	5.750	5.756	.500	S	*485138	48
120,00mm (4.724") SHAFT						5.750	5.756	.500	V	*455053V	45
-	-	.787		99473	Redi-Sleeve	5.751	5.756	.500	V	*485138V	48
139.70	140.00	12.00	S	*120X140X12★	32	5.751	5.756	.500	V	714750	48
5.500	5.512	.472				5.751	5.756	.562	S	*415053	41
139.70	140.00	15.00	S	*120X140X15★	32	5.751	5.756	.562	H	*415053H	41
5.500	5.512	.591				5.751	5.756	.562	N	*415053N	41
140.00	140.21	10.50	S	710084★	47	5.751	5.756	.562	V	*415053V	41
5.512	5.520	.413				5.751	5.756	.562	S	*475053	47
140.00	140.20	13.00	T	712106★	32	5.751	5.756	.562	S	*485053	48
5.512	5.520	.512				5.751	5.757	.562	S	*455053	45
140.00	140.25	12.00	S	717004★	48	5.751	5.757	.562	H	*455053H	45
5.512	5.522	.472				5.751	5.757	.562	N	*455053N	45
140.00	140.28	13.00	S	120X140X13★	32	5.876	5.881	.500	S	*417538	41
5.512	5.523	.512				5.876	5.881	.500	V	*417538V	41
140.00	140.30	13.00	V	712003★◄	32	5.876	5.881	.625	S	*455233	45
5.512	5.524	.512				5.999	6.006	.562	H	*416122H	41
145.00	145.28	12.00	S	120X145X12★	35	5.999	6.006	.562	H	*476122H	47
5.709	5.720	.472				5.999	6.007	.625	S	*415213	41
145.00	145.28	12.00	S	231204★	35	5.999	6.007	.625	N	415213N	41
5.709	5.720	.472				5.999	6.007	.625	S	*455213	45
145.70	146.00	13.00	S	*120X146X13★	32	5.999	6.007	.625	S	*475213	47
5.736	5.748	.512				5.999	6.007	.625	S	*485213	48
146.20	146.50	13.00	S	*120X146.5X13★	32	6.000	6.006	.500	V	*487250V	48
5.756	5.768	.512				6.000	6.006	.562	T	39732◄	W-H
149.70	150.00	13.00	S	*120X150X13★	32	6.000	6.006	.562	T	39825◄	FW-H
5.894	5.906	.512				6.000	6.006	.562	T	39827◄	DW-H
149.70	150.00	14.00	S	*120X150X14★	32	6.001	6.007	.500	N	*457247N	45
5.894	5.906	.551				6.001	6.007	.500	S	*417247	41
149.70	150.00	15.00	S	*120X150X15★	32	6.001	6.007	.500	S	*457247	45
5.894	5.906	.591				6.001	6.007	.500	S	*477247	47
150.01	150.16	14.99	S	370220A★	11	6.001	6.007	.500	S	*487247	48
5.906	5.912	.590				6.002	6.092	.285	S	200642%	200
150.00	150.20	12.00	V	*120X150X12V★	32	6.125	6.131	.500	S	*41752	41
5.906	5.913	.472				6.125	6.131	.562	S	*456160	45
150.00	150.28	12.00	S	120X150X12★	32	6.127	6.132	.625	S	*455258	45
5.906	5.917	.472				6.186	6.192	1.250	S	3100	89
154.70	155.00	14.00	S	*120X155X14★	32	6.250	6.256	.500	S	*416866	41
6.090	6.102	.551				6.250	6.256	.562	S	*415066	41
154.70	155.00	16.00	S	*120X155X16★	32	6.250	6.256	.562	S	*455066	45
6.090	6.102	.630				6.250	6.256	.562	S	*475066	47
155.00	155.20	15.00	S	*120X155X15★	32	6.250	6.256	.562	S	*485066	48
6.102	6.110	.591				6.437	6.457	.359	S	*200875%	200E
158.70	159.00	14.00	S	*120X159X14★	32	6.618	6.625	1.141	S	6663S	89
6.248	6.260	.551				6.619	6.625	1.150	S	*4139	#
159.70	160.00	15.00	S	*120X160X15★	32	6.625	6.632	.625	S	*455375	45
6.287	6.299	.591				4.759" SHAFT					
160.00	160.20	12.00	V	*120X160X12V★	35	6.280	6.334	.312	S	*9572%	#
6.299	6.307	.472				4.765" SHAFT					
160.00	160.28	12.00	S	120X160X12★	32	5.999	6.006	1.031	S	370181A	01
6.299	6.310	.472				6.250	6.257	1.050	S	370173A	01
179.67	180.00	15.00	S	*120X180X15★	32	6.251	6.265	.605	S	370005A	09
7.074	7.087	.591				6.311	6.318	1.078	S	370003A	11
						6.311	6.318	1.132	T	380003A	10

SIZE SECTION

For Illustration and Material Data See Technical Section
 # Designed For A Specific Application - Not Recommended For General Use ➔ Hydrodynamic Lip Design-CW ◄ Hydrodynamic Lip Design-CCW % External Bore
 * Call 1-800-480-1212 For Price and Delivery ★ Metric Seal

Size Section

NATIONAL®

Hsg. Bore	Seal O.D.	Seal Width	Lip Mat'l	Part No.	Type/Illus.
4.765" SHAFT (cont.)					
6.999	7.006	1.250	S	370006A	03
4.768" SHAFT					
6.999	7.039	.735	S	*370224A	02
122,00mm (4.803") SHAFT					
139,70	140,00	13,00	S	*122X140X13★	32
5.500	5.512	.512			
4.812" (4-13/16") SHAFT					
5.543	5.551	.472	V	712449◄	32
5.544	5.552	.535	H	3341◄	100
5.750	5.762	.580	T	*327934◄↔	32
5.751	5.756	.562	S	*455251	45
5.751	5.756	.562	H	455251H	45
5.751	5.756	.562	N	*455251N	45
5.751	5.756	.750	S	75251S	7S
5.751	5.757	.512	S	*78021▶	7S
5.751	5.757	.812	S	*78021T◄	7S
5.999	6.007	.500	S	416163	41
5.999	6.007	.500	S	*476163	47
5.999	6.007	.625	S	*455214	45
6.000	6.010	.250	S	*345214	34
6.000	6.010	.250	H	*345214H	34
6.250	6.256	.500	S	456890	45
6.250	6.256	.562	S	*455067	45
6.311	6.316	1.062	S	370027A	03
6.499	6.507	.625	S	*455614	45
6.500	6.507	.865	S	370004A	03
4.835" SHAFT					
5.749	5.756	.375	T	39954◄	DW-H
4.875" (4-7/8") SHAFT					
5.750	5.756	.500	V	*487063V	48
5.999	6.007	.500	S	416167	41
5.999	6.007	.500	N	*416167N	41
5.999	6.007	.500	S	*456167	45
5.999	6.007	.500	S	*486167	48
5.999	6.007	.500	H	*486167H	48
5.999	6.007	.625	S	*415091	41
5.999	6.007	.625	S	455091	45
5.999	6.007	.625	H	*455091H	45
5.999	6.007	.625	S	*475091	47
5.999	6.007	.625	S	*485091	48
6.000	6.006	.562	S	*416621	41
6.000	6.006	.562	N	*416621N	41
6.000	6.006	.562	V	*456621V	45
6.000	6.006	.562	H	*476621H	47
6.001	6.015	.625	S	370195A	07
6.125	6.131	.500	S	417267	41
6.125	6.131	.562	S	*456168	45
6.127	6.132	.625	S	*455217	45
6.250	6.256	.500	S	417269	41
6.250	6.256	.562	S	*415068	41
6.250	6.256	.562	N	*415068N	41
6.250	6.256	.562	S	455068	45
6.250	6.256	.562	N	*455068N	45
6.250	6.256	.562	S	*475068	47
6.250	6.256	.562	S	*485068	48
6.250	6.256	.812	S	*395068	#
6.373	6.379	.921	S	370007A	03
6.375	6.625	.500	S	7866S	75
6.437	6.444	.921	S	370057A	03
6.500	6.506	1.000	S	370121A	03
6.622	6.629	1.000	S	370109A	03

Hsg. Bore	Seal O.D.	Seal Width	Lip Mat'l	Part No.	Type/Illus.
124,00mm (4.882") SHAFT					
146,00	146,10	14,00	S	710405★	47
5.748	5.752	.551			
158,70	159,00	14,00	S	*124X159X14★	32
6.248	6.260	.551			
169,70	170,00	14,50	S	*124X170X14.5★	32
6.681	6.693	.571			
170,00	-	14,50	S	710381★%	#
6.693	-	.571			
125,00mm (4.921") SHAFT					
-	-	-	S	801300	VRS1
-	-	-	V	801304	VRS1
-	-	.394	S	*99490	Redi-Sleeve
-	-	1.024	S	99492	Redi-Sleeve
140,00	140,18	7,00	S	*315286★	31
5.512	5.519	.276			
144,70	145,00	13,00	S	*125X145X13★	32
5.697	5.709	.512			
146,20	146,50	13,00	S	*125X146.5X13★	32
5.756	5.768	.512			
149,70	150,00	13,00	S	*125X150X13★	32
5.894	5.906	.512			
149,70	150,00	14,00	S	*125X150X14★	32
5.894	5.906	.551			
149,70	150,00	15,00	S	*125X150X15★	32
5.894	5.906	.591			
150,00	150,20	12,00	V	*125X150X12V★	32
5.906	5.913	.472			
150,00	150,28	12,00	S	125X150X12★	32
5.906	5.917	.472			
150,00	150,28	12,00	S	231250★	35
5.906	5.917	.472			
154,70	155,00	14,00	S	*125X155X14★	32
6.090	6.102	.551			
155,00	155,20	12,00	S	125X155X12★	32
6.102	6.110	.472			
155,00	155,20	15,00	S	*125X155X15★	32
6.102	6.110	.591			
159,70	160,00	15,00	S	*125X160X15★	32
6.287	6.299	.591			
160,00	160,28	12,00	S	125X160X12★	32
6.299	6.310	.472			
170,00	170,20	15,00	S	125X170X15★	32
6.693	6.701	.591			
4.937" (4-15/16") SHAFT					
-	-	-	S	801300	VRS1
-	-	-	V	801304	VRS1
5.999	6.007	.500	S	417539	41
5.999	6.007	.625	S	*455216	45
6.131	6.136	.562	S	*455591	45
6.250	6.256	-	S	*6690	#
6.250	6.256	.500	S	417273	41
6.250	6.256	.562	S	*455069	45
6.374	6.382	.500	S	417540	41
6.374	6.382	.625	S	*455247	45
4.993" SHAFT					
-	-	-	S	801300	VRS1
-	-	-	V	801304	VRS1
6.000	6.006	.413	T	39881◄	FW-H
5.000" SHAFT					
-	-	-	S	801300	VRS1
-	-	-	V	801304	VRS1
-	-	.688	S	99498	Redi-Sleeve

For Illustration and Material Data See Technical Section

Designed For A Specific Application - Not Recommended For General Use ▶ Hydrodynamic Lip Design-CW ◄ Hydrodynamic Lip Design-CCW

Hsg. Bore	Seal O.D.	Seal Width	Lip Mat'l	Part No.	Type/Illus.	Hsg. Bore	Seal O.D.	Seal Width	Lip Mat'l	Part No.	Type/Illus.
5.000" SHAFT (cont.)						5.000" SHAFT (cont.)					
-	-	.813		99499	Redi-Sleeve	6.874	6.882	.500	V	*417543V	41
5.750	-	.313	U	710032	#	6.877	6.884	.625	S	415897	41
5.750	5.758	.437	N	*712137	33	6.877	6.884	.625	N	*415897N	41
5.751	5.756	.500	T	*3492	48	6.997	7.003	1.093	V	*4144V	90
5.751	5.756	.500	V	3492V	48	7.000	7.006	1.000	S	*370154A	03
5.999	6.006	.413	T	39880	94	7.000	7.007	.500	S	417544	41
5.999	6.006	.717	T	*5721	90	7.000	7.008	.625	S	*416176	41
5.999	6.007	.500	S	*475725	47	7.000	7.015	1.130	V	370215A	#
5.999	6.007	.500	N	*475725N	47	7.437	7.444	.605	S	370038A	06
5.999	6.007	.500	H	*485725H	48	7.500	7.507	.500	S	417545	41
5.999	6.007	.500	N	*485725N	48	7.500	7.507	.562	S	*415460	41
5.999	6.007	.625	S	*415271	41	7.500	7.507	.562	N	*415460N	41
5.999	6.007	.625	H	*415271H	41	7.500	7.507	.562	S	*455460	45
5.999	6.007	.625	N	*415271N	41	7.500	7.507	.875	N	*4048N	#
5.999	6.007	.625	S	*455271	45	128,00mm (5.039") SHAFT					
5.999	6.007	.625	N	*455271N	45	-	-	-	S	801300	VRS1
5.999	6.007	.625	S	*475271	47	-	-	-	V	801304	VRS1
5.999	6.007	.625	S	*485271	48	146.00	146.10	10.00	S	710411★	47
5.999	6.007	.937	S	*215271	21	5.748	5.752	.394			
6.000	6.006	.413	T	39801	FW-H	150.00	150.28	15.00	S	*128X150X15★	35
152.40	152.80	15.00	T	712109★	FW-H	5.906	5.917	.591			
6.000	6.016	.591				5.062" (5-1/16") SHAFT					
6.001	6.006	.500	H	*3782	#	-	-	-	S	801300	VRS1
6.001	6.006	.500	H	*715000	#	-	-	-	V	801304	VRS1
6.001	6.007	.500	S	415725	41	6.374	6.382	.625	S	455290	45
6.001	6.007	.500	N	*415725N	41	6.994	7.004	1.312	L	7378	5L
6.001	6.007	.500	S	*455725	45	7.874	7.881	.500	S	*476519	47
6.001	6.007	.500	N	*455725N	45	130,00mm (5.118") SHAFT					
6.001	6.007	.500	S	*485725	48	-	-	-	S	801300	VRS1
6.001	6.007	.625	V	*455271V	45	-	-	-	V	801304	VRS1
6.003	6.009	.500	H	*416801H	41	-	-	.750		99494	Redi-Sleeve
6.003	6.009	.500	H	*476801H	47	-	-	.866		99491	
6.125	6.131	.500	T	39958	FW-H	149.70	150.00	12.00	S	*130X150X12★	32
6.126	6.131	.562	S	417584	41	5.894	5.906	.472			
6.250	6.256	.250	S	204509	204	149.70	150.00	13.00	S	*130X150X13★	32
6.250	6.256	.500	V	416865V	41	5.894	5.906	.512			
6.250	6.256	.500	V	*456865V	45	150.00	150.10	10.00	S	130X150X10★	47
6.250	6.256	.500	S	416865	41	5.906	5.909	.394			
6.250	6.256	.500	S	*456865	45	150.00	150.10	10.00	S	710380★	47
6.250	6.256	.500	N	456865N	45	5.906	5.909	.394			
6.250	6.256	.500	S	*476865	47	150.00	150.20	15.00	S	*130X150X15★	32
6.250	6.256	.500	S	*486865	48	5.906	5.913	.591			
6.250	6.256	.562	S	*415070	41	150.00	150.40	13.00	T	712114★	FW-H
6.250	6.256	.562	N	*415070N	41	5.906	5.921	.512			
6.250	6.256	.562	V	*415070V	41	150.00	150.44	14.50	T	39806★	FW-H
6.250	6.256	.562	S	455070	45	5.906	5.923	.571			
6.250	6.256	.562	N	*455070N	45	150.00	150.44	14.80	T	39805★	FW-H
6.250	6.256	.562	V	*455070V	45	5.906	5.923	.583			
6.250	6.256	.562	S	*475070	47	154.70	155.00	14.00	S	*130X155X14★	32
6.250	6.256	.562	N	*475070N	47	6.090	6.102	.551			
6.250	6.256	.562	S	*485070	48	159.70	160.00	13.00	S	*130X160X13★	32
6.250	6.256	.605	S	370063A	06	6.287	6.299	.512			
6.250	6.256	.625	S	*455285	45	159.70	160.00	14.00	S	*130X160X14★	32
6.250	6.256	1.375	S	370028A	01	6.287	6.299	.551			
6.251	6.256	.500	N	*416865N	41	160.00	160.20	12.00	V	*130X160X12V★	32
6.374	6.382	.625	S	*415312	41	6.299	6.307	.472			
6.374	6.382	.625	S	*455312	45	160.00	160.20	15.00	S	130X160X15★	32
6.374	6.382	.625	V	*455312V	45	6.299	6.307	.591			
6.375	6.381	.500	S	417278	41	160.00	160.28	12.00	S	130X160X12★	32
6.375	6.381	.500	S	*457278	45	6.299	6.310	.472			
6.375	6.381	.500	S	*477278	47	6.299	6.307	.591			
6.375	6.381	.500	S	*487278	48	164.70	165.00	13.00	S	*130X165X13★	32
6.499	6.507	.500	S	417541	41	6.484	6.496	.512			
6.499	6.507	.625	S	*415377	41	164.70	165.00	15.00	S	*130X165X15★	32
6.499	6.507	.625	S	*455377	45	6.484	6.496	.591			
6.622	6.629	.906	N	*8126N	89	169.70	170.00	13.00	S	*130X170X13★	32
6.622	6.629	.906	S	8126S	89	6.681	6.693	.512			
6.622	6.629	1.093	S	370166A	03						
6.749	6.757	.500	S	417542	41						
6.749	6.757	.625	S	*455318	45						
6.874	6.882	.500	S	417543	41						

SIZE SECTION

For Illustration and Material Data See Technical Section
 # Designed For A Specific Application - Not Recommended For General Use ▶ Hydrodynamic Lip Design-CW ◀ Hydrodynamic Lip Design-CCW
 * Call 1-800-480-1212 For Price and Delivery ★ Metric Seal

Size Section

NATIONAL®

Hsg. Bore	Seal O.D.	Seal Width	Lip Mat'l	Part No.	Type/ Illus.
130,00mm (5.118") SHAFT (cont.)					
170.00	170.20	12.00	V	*130X170X12V★	35
6.693	6.701	.472			
170.00	170.28	15.00	S	130X170X15★	32
6.693	6.704	.591			
170.00	170.30	12.00	S	130X170X12★	35
6.693	6.705	.472			
189.67	190.00	12.00	S	*130X190X12★	32
7.467	7.480	.472			
199.67	200.00	12.00	S	*130X200X12★	32
7.861	7.874	.472			

5.125" (5-1/8") SHAFT					
-	-	-	S	801300	VRS1
-	-	-	V	801304	VRS1
-	-	.866		99491	
5.999	6.006	.413	T	*907091◄	90
5.999	6.006	.413	T	*947090◄	94
6.125	6.131	.500	S	416557	41
6.125	6.131	.500	V	456557	45
6.125	6.131	.500	V	*456557V	45
6.125	6.131	.562	S	*416172	41
6.125	6.131	.750	H	*8971H	7S
6.250	6.256	.500	S	417258	41
6.250	6.256	.562	S	*416173	41
6.250	6.256	.562	N	*416173N	41
6.250	6.256	.562	S	*476173	47
6.250	6.256	.562	V	*476173V	47
6.251	6.256	.562	S	*455824	45
6.374	6.382	.500	S	417546	41
6.374	6.382	.625	S	*415071	41
6.374	6.382	.625	S	*455071	45
6.375	6.381	.625	S	*456830	45
6.376	6.382	.625	N	*455071N	45
6.499	6.507	.500	S	417547	41
6.499	6.507	.625	S	*415495	41
6.499	6.507	.625	S	*455495	45
6.874	6.882	.625	N	*416049N	41
6.877	6.884	.625	S	*416977	41

5.187" SHAFT					
-	-	-	S	801300	VRS1
-	-	-	V	801304	VRS1
6.499	6.507	.500	S	417548	41
6.499	6.507	.625	N	*455494N	45
6.500	6.507	.625	H	455956H	45
6.500	6.507	.625	N	*455956N	45
6.500	6.507	.625	V	*455956V	45
6.500	6.507	.812	H	*77685H	7S
6.500	6.507	1.093	N	*75658	7S
6.500	6.507	1.093	H	*75658H	7S
6.500	6.512	.500	V	*327958◄↔	32
6.500	6.515	.625	V	*4494V◄↔	#

5.250" (5-1/4") SHAFT					
6.250	6.256	.250	S	447060	44
6.250	6.256	.250	V	*447060V	44
6.250	6.256	.500	S	417262	41
6.250	6.256	.500	V	417262V	41
6.250	6.256	.500	S	*457262	45
6.250	6.256	.500	N	*457262N	45
6.250	6.256	.500	S	*477262	47
6.250	6.256	.500	S	*487262	48
6.250	6.256	.562	S	455448	45
6.250	6.256	.562	N	*455448N	45
6.250	6.256	.562	V	*455448V	45
6.250	6.256	.625	N	*455799N	45
6.250	6.260	.250	S	345448	34
6.375	6.381	.500	S	417358	41
6.375	6.381	.500	S	*457358	45
6.375	6.381	.500	S	*477358	47

Hsg. Bore	Seal O.D.	Seal Width	Lip Mat'l	Part No.	Type/ Illus.
5.250" (5-1/4") SHAFT (cont.)					
6.375	6.381	.500	S	*487358	48
6.499	6.507	.625	S	*415104	41
6.499	6.507	.625	H	*415104H	41
6.499	6.507	.625	N	*415104N	41
6.499	6.507	.625	S	455104	45
6.500	6.507	.562	S	415645	41
6.500	6.507	.562	S	*455645	45
6.500	6.507	.562	S	*475645	47
6.500	6.507	.562	S	*485645	48
6.625	6.632	.562	S	417359	41
6.625	6.632	.562	S	*457359	45
6.625	6.632	.562	S	*477359	47
6.625	6.632	.562	S	*487359	48
6.750	6.757	.500	S	417549	41
6.750	6.757	.625	S	*455395	45
7.375	7.386	1.000	T	380069A	3
7.375	7.386	1.000	S	370069A	03

134,00mm (5.276") SHAFT					
-	-	-	S	801300	VRS1
-	-	-	V	801304	VRS1

5.312" (5-5/16") SHAFT					
-	-	-	S	801300	VRS1
-	-	-	V	801304	VRS1
6.499	6.507	.625	S	*455464	45
6.500	6.507	.500	S	417550	41
6.500	6.507	.625	H	*456986H	45
6.500	6.507	1.033	H	*75464H	7S
6.500	6.513	.500	T	*327984◄	32
6.500	6.513	.500	T	*327985T◄	32

135,00mm (5.315") SHAFT					
-	-	-	S	801300	VRS1
-	-	-	V	801304	VRS1
154.70	155.00	13.00	S	*135X155X13★	32
6.090	6.102	.512			
159.70	160.00	15.00	S	*135X160X15★	32
6.287	6.299	.591			
160.00	160.38	13.00	S	135X160X13★	35
6.299	6.314	.512			
164.70	165.00	13.00	S	*135X165X13★	32
6.484	6.496	.512			
164.70	165.00	14.00	S	*135X165X14★	32
6.484	6.496	.551			
170.00	170.38	12.00	S	135X170X12★	35
6.693	6.708	.472			

5.356" SHAFT					
-	-	-	S	801400	VRS1
-	-	-	S	801402	VRS3
6.500	6.507	.562	S	*455942	45
6.500	6.507	.562	H	*455942H	45

5.375" (5-3/8") SHAFT					
-	-	-	S	801400	VRS1
-	-	-	S	801402	VRS3
-	-	.813	S	*99537	Redi-Sleeve
6.374	6.380	.500	S	417551	41
6.374	6.382	.625	S	*456174	45
6.499	6.507	.562	S	455576	45
6.499	6.507	.625	S	*415461	41
6.499	6.507	.625	N	*415461N	41
6.499	6.507	.625	S	*455461	45
6.500	6.507	.625	N	*455461N	45
6.624	6.632	.562	S	*455938	45
6.624	6.632	.562	S	415938	41

For Illustration and Material Data See Technical Section

Designed For A Specific Application - Not Recommended For General Use ◄ Hydrodynamic Lip Design-CCW ◄↔ Hydrodynamic Lip Design-Bidirectional

* Call 1-800-480-1212 For Price and Delivery ★ Metric Seal

Hsg. Bore	Seal O.D.	Seal Width	Lip Mat'l	Part No.	Type/Illus.	Hsg. Bore	Seal O.D.	Seal Width	Lip Mat'l	Part No.	Type/Illus.
5.375" (5-3/8") SHAFT (cont.)						5.500" (5-1/2") SHAFT (cont.)					
6.624	6.632	.625	S	*415105	41	6.750	6.757	.500	S	*475638	47
6.624	6.632	.625	V	*415105V	41	6.750	6.757	.575	S	*476107	47
6.624	6.632	.625	S	*455105	45	6.750	6.757	.575	S	*486107	48
6.624	6.632	.625	N	*455105N	45	6.750	6.758	.575	S	*416107	41
6.749	6.757	.500	S	*417554	41	6.750	6.758	.575	S	*456107	45
6.749	6.757	.625	S	*415140	41	6.874	6.882	.625	S	*416190	41
6.749	6.757	.625	S	*455140	45	6.874	6.882	.625	S	*456190	45
6.875	6.882	1.000	S	3292	89	6.875	6.882	.562	S	*417361	41
7.500	7.508	.562	V	*456187V	45	6.875	6.882	.562	S	*457361	45
7.873	7.881	.750	N	*456112N	45	6.875	6.882	.562	S	*477361	47
7.874	7.881	.750	S	416112	41	6.875	6.882	.562	S	*487361	48
7.874	7.881	.750	N	*416112N	41	6.875	6.882	.625	N	*456190N	45
7.874	7.881	.750	S	*456112	45	6.997	7.004	1.250	S	7006S	43
5.428" SHAFT						7.000	7.007	.625	S	415610	41
-	-	-	S	801400	VRS1	7.125	7.132	1.187	S	370043A	03
-	-	-	S	801402	VRS3	7.125	7.133	.625	S	416191	41
6.500	6.505	.420	S	710425	230	7.248	7.255	.656	N	*485869N	48
138,00mm (5.433") SHAFT						7.250	7.256	1.187	S	370120A	03
-	-	-	S	801400	VRS1	7.437	7.444	1.000	S	370039A	03
-	-	-	S	801402	VRS3	7.500	7.507	.562	N	*456192N	45
152.00	152.10	12.00	S	138X152X12★	47	7.500	7.507	.562	N	*456192N	45
5.984	5.988	.472	S	710368★	47	7.624	7.631	1.250	S	8635S	21
152.00	152.10	12.00	S	*138X152X15★	32	7.625	7.631	1.250	S	*3402	#
5.984	5.988	.472	S	*138X152X15★	32	7.876	7.883	.750	S	*455661	45
152.00	152.20	15.00	S	*138X152X15★	32	8.000	8.009	.625	S	*416195	41
5.984	5.992	.591	S	*138X152X15★	32	8.000	8.009	.750	S	*416196	41
5.437" (5-7/16") SHAFT						8.494	8.501	1.062	S	*3098	#
-	-	-	S	801400	VRS1	8.500	8.507	.625	S	*417419	41
-	-	-	S	801402	VRS3	140,00mm (5.512") SHAFT					
6.749	6.757	.625	L	55357	5L	-	-	-	S	801400	VRS1
5.500" (5-1/2") SHAFT						-	-	-	S	801402	VRS3
-	-	-	S	801400	VRS1	-	-	.807	S	*99552	Redi-Sleeve
-	-	-	S	801402	VRS3	159.70	160.00	14.00	S	*140X160X14★	32
-	-	.812	S	99549	Redi-Sleeve	6.287	6.299	.551	S	140X160X12★	32
6.250	6.257	.500	S	*476842	47	160.00	160.20	12.00	S	140X160X13★	35
6.251	6.257	.500	H	*2151H	25	6.299	6.307	.472	S	231402★	35
6.312	6.316	1.250	S	6872S	47	160.00	160.27	13.00	S	140X160X13★	35
6.499	6.507	.625	S	*415273	41	6.299	6.310	.512	S	231402★	35
6.499	6.507	.625	N	*415273N	41	160.00	160.27	13.00	S	231402★	35
6.499	6.507	.625	S	*455273	45	6.299	6.310	.512	S	*140X165X13★	32
6.499	6.507	.625	N	*455273N	45	164.70	165.00	13.00	S	*140X165X13★	32
6.499	6.507	.625	V	*455273V	45	6.484	6.496	.512	S	*140X165X15★	32
6.500	6.505	1.125	S	*2363	#	6.496	6.507	.591	S	*140X168X15★	32
6.500	6.505	1.125	S	6873S	43	167.70	168.00	15.00	S	*140X168X15★	32
6.500	6.507	.562	S	*417254	41	6.602	6.614	.591	S	*140X170X13★	32
6.500	6.507	.562	N	*417254N	41	169.70	170.00	13.00	S	*140X170X13★	32
6.500	6.507	.562	S	*457254	45	6.681	6.693	.512	S	*140X170X14★	32
6.500	6.507	.562	S	*477254	47	169.70	170.00	14.00	S	*140X170X14★	32
6.500	6.507	.562	S	*487254	48	6.681	6.693	.551	S	710406★	47
6.624	6.631	.625	S	*416189	41	170.00	170.10	14.00	S	710406★	47
6.624	6.631	.625	S	*456189	45	6.693	6.697	.551	V	*140X170X12V★	32
6.625	6.632	.562	S	*417360	41	170.00	170.20	12.00	V	*140X170X12V★	32
6.625	6.632	.562	S	*457360	45	6.693	6.701	.472	S	231405★	35
6.625	6.632	.562	S	*477360	47	170.00	170.28	15.00	S	231405★	35
6.625	6.632	.562	S	*487360	48	6.693	6.704	.591	S	140X170X12★	32
6.625	6.632	.670	H	3054	41	170.00	170.30	12.00	S	140X170X12★	32
6.625	6.632	.670	V	*3054V	41	6.693	6.705	.472	S	140X170X15★	32
6.625	6.632	.670	H	*77286H	7S	170.00	170.43	15.00	S	140X170X15★	32
6.749	6.756	.500	V	*455215V	45	6.693	6.710	.591	S	*140X175X15★	32
6.749	6.756	.625	S	*415073	41	174.70	175.00	15.00	S	*140X175X15★	32
6.749	6.756	.625	H	*415073H	41	6.878	6.890	.591	S	*140X180X15★	32
6.749	6.756	.625	N	*415073N	41	179.67	180.00	15.00	S	*140X180X15★	32
6.749	6.756	.625	V	*415073V	41	7.074	7.087	.591	S	140X180X12★	35
6.749	6.757	.625	S	455073	45	180.00	180.30	12.00	S	140X180X12★	35
						7.087	7.098	.472	S	140X180X18★	32
						180.00	180.38	18.00	S	140X180X18★	32
						7.087	7.102	.709	S	*140X185X16★	32
						184.67	185.00	16.00	S	*140X185X16★	32
						7.270	7.283	.630	S	*140X185X16★	32

SIZE SECTION

For Illustration and Material Data See Technical Section
 # Designed For A Specific Application - Not Recommended For General Use * Call 1-800-480-1212 For Price and Delivery ★ Metric Seal

Size Section

NATIONAL®

Hsg. Bore	Seal O.D.	Seal Width	Lip Mat'l	Part No.	Type/ Illus.
142,00mm (5.591") SHAFT					
156.70	157.00	10.00	S	*142X157X10★	32
6.169	6.181	.394			
5.625" (5-5/8") SHAFT					
-	-	-	S	801400	VRS1
-	-	-	S	801402	VRS3
6.624	6.631	.500	S	417555	41
6.624	6.631	.625	S	*455487	45
6.624	6.631	.625	H	*455487H	45
6.624	6.631	.625	N	*455487N	45
6.625	6.631	.500	S	*415920	41
6.625	6.631	.625	S	*415487	41
6.625	6.631	.625	N	*415487N	41
6.750	6.757	.500	V	*417942V	41
6.874	6.882	.500	S	417556	41
6.874	6.882	.500	V	*417556V	41
6.874	6.882	.625	S	*455106	45
7.125	7.131	.500	S	417040	41
7.125	7.133	.625	S	*455652	45
7.186	7.194	.906	S	370064A	03
7.500	7.508	.562	S	*456199	45
5.640" SHAFT					
7.501	7.507	.605	S	370119A	06
144,00mm (5.669") SHAFT					
-	-	-	S	801400	VRS1
-	-	-	S	801402	VRS3
160.00	160.25	12.00	S	144X160X12★	35
6.299	6.309	.472			
145,00mm (5.709") SHAFT					
-	-	-	S	801400	VRS1
-	-	-	S	801402	VRS3
164.00	164.10	14.00	S	145X164X14★	47
6.457	6.461	.551			
164.00	164.10	14.00	S	710369★	47
6.457	6.461	.551			
164.00	164.20	15.00	S	*145X164X15★	32
6.457	6.465	.591			
164.70	165.00	13.00	S	*145X165X13★	32
6.484	6.496	.512			
164.70	165.00	14.00	S	*145X165X14★	32
6.484	6.496	.551			
166.70	167.00	13.00	S	*145X167X13★	32
6.563	6.575	.512			
169.70	170.00	13.00	S	*145X170X13★	32
6.681	6.693	.512			
169.70	170.00	15.00	S	*145X170X15★	32
6.681	6.693	.591			
170.00	170.45	12.00	S	145X170X12★	32
6.693	6.711	.472			
174.70	175.00	13.00	S	*145X175X13★	32
6.878	6.890	.512			
174.70	175.00	14.00	S	*145X175X14★	32
6.878	6.890	.551			
175.00	175.38	15.00	S	145X175X15★	32
6.890	6.905	.591			
180.00	180.28	12.00	S	145X180X12★	35
7.087	7.098	.472			
146,00mm (5.748") SHAFT					
-	-	-	S	801500	VRS1
-	-	-	V	801504	VRS1
-	-	.813		99575	Redi-Sleeve
6.751	6.763	.500	V	*357971V	35

Hsg. Bore	Seal O.D.	Seal Width	Lip Mat'l	Part No.	Type/ Illus.
5.750" (5-3/4") SHAFT					
-	-	-	S	801500	VRS1
-	-	-	V	801504	VRS1
-	-	.813		99575	Redi-Sleeve
6.500	6.510	.500	S	*7743	#
6.624	6.632	.625	S	415447	41
6.624	6.632	.625	S	*455447	45
6.749	6.756	.625	S	*415363	41
6.749	6.756	.625	H	*415363H	41
6.749	6.757	.625	S	*455363	45
6.750	6.757	.562	S	*457362	45
6.750	6.757	.575	N	*417362N	41
6.750	6.757	.575	S	417362	41
6.750	6.757	.575	V	*417362V	41
6.750	6.757	.575	S	*477362	47
6.750	6.757	.575	S	*487362	48
6.874	6.882	.625	S	*416214	41
6.874	6.882	.625	S	*456214	45
6.875	6.882	.562	S	417363	41
6.875	6.882	.562	S	*457363	45
6.875	6.882	.562	S	*477363	47
6.875	6.882	.562	S	*487363	48
7.000	7.008	.625	S	*455107	45
7.000	7.008	.625	H	*455107H	45
7.000	7.008	.625	N	*455107N	45
7.000	7.008	.625	V	*455107V	45
7.001	7.008	.562	S	416666	41
7.001	7.008	.562	V	*416666V	41
7.001	7.008	.562	S	*456666	45
7.001	7.008	.562	S	*476666	47
7.001	7.008	.562	S	*486666	48
7.125	7.132	.562	S	417364	41
7.125	7.132	.562	S	*457364	45
7.125	7.132	.562	S	*477364	47
7.125	7.132	.562	S	*487364	48
7.125	7.133	.625	S	*416215	41
7.125	7.133	.625	S	*456215	45
7.500	7.506	.500	S	*457557	45
7.500	7.508	.562	S	416039	41
7.500	7.508	.562	S	*456039	45
7.500	7.508	.562	N	*456039N	45
7.874	7.881	.750	S	416029	41
7.874	7.881	.750	N	416029N	41
7.875	7.883	.750	S	*455618	45
5.812" (5-13/16") SHAFT					
-	-	-	S	801500	VRS1
-	-	-	V	801504	VRS1
7.125	7.132	.625	S	*8662	35
148,00mm (5.827") SHAFT					
-	-	-	S	801500	VRS1
-	-	-	V	801504	VRS1
170.00	170.28	15.00	S	148X170X15★	35
6.693	6.704	.591			
5.875" (5-7/8") SHAFT					
-	-	-	S	801500	VRS1
-	-	-	V	801504	VRS1
-	-	1.000		*99587	Redi-Sleeve
7.125	7.133	.500	S	*3620	#
7.125	7.133	.500	S	416476	41
7.125	7.133	.625	S	*415075	41
7.125	7.133	.625	N	*415075N	41
7.125	7.133	.625	S	455075	45
7.500	7.508	.562	S	455297	45
7.999	8.007	.750	S	456052	45
8.001	8.007	.750	S	3016	45

For Illustration and Material Data See Technical Section

Designed For A Specific Application - Not Recommended For General Use * Call 1-800-480-1212 For Price and Delivery ★ Metric Seal

Hsg. Bore	Seal O.D.	Seal Width	Lip Mat'l	Part No.	Type/Illus.	Hsg. Bore	Seal O.D.	Seal Width	Lip Mat'l	Part No.	Type/Illus.
150,00mm (5.906") SHAFT						6.000" SHAFT (cont.)					
-	-	-	S	801500	VRS1	7.127	7.133	.500	S	*447582	44
-	-	-	V	801504	VRS1	7.238	7.244	.472	S	*447975	44
167.70	168.00	13.00	S	*150X168X13★	32	7.475	7.481	.590	T	39715◀	#
6.602	6.614	.512				7.500	7.508	.562	S	*415072	41
169.70	170.00	15.00	S	*150X170X15★	32	7.500	7.508	.562	H	*415072H	41
6.681	6.693	.591				7.500	7.508	.562	V	*415072V	41
174.70	175.00	10.00	S	*150X175X10★	32	7.500	7.508	.562	S	*455072	45
6.878	6.890	.394				7.501	7.508	.562	S	*475072	47
179.67	180.00	13.00	S	*150X180X13★	32	7.501	7.508	.562	S	*485072	48
7.074	7.087	.512				7.875	7.881	.605	S	*370077A	06
179.67	180.00	14.00	S	*150X180X14★	32	8.187	8.194	1.250	S	*8091	#
7.074	7.087	.551				8.500	8.509	.625	S	*416232	41
180.00	180.20	15.00	V	*150X180X15V★	32	154,00mm (6.063") SHAFT					
7.087	7.094	.591				-	-	-	S	801500	VRS1
180.00	180.35	12.00	S	150X180X12★	32	-	-	-	V	801504	VRS1
7.087	7.100	.472				171.70	172.00	14.00	S	*154X172X14★	32
180.00	180.35	15.00	S	150X180X15★	35	6.760	6.772	.551			
7.087	7.100	.591				172.00	172.20	15.00	S	*154X172X15★	32
184.67	185.00	16.00	S	*150X185X16★	32	6.772	6.780	.591			
7.270	7.283	.630				6.077" SHAFT					
189.67	190.00	15.00	S	*150X190X15★	32	-	-	-	S	801500	VRS1
7.467	7.480	.591				-	-	-	V	801504	VRS1
199.67	200.00	13.00	S	*150X200X13★	32	7.328	7.336	.445	T	39889◀	W-H
7.861	7.874	.512				7.328	7.336	.445	T	39890▶	W-H
209.67	210.00	15.00	S	*150X210X15★	32	155,00mm (6.102") SHAFT					
8.255	8.268	.591				-	-	1.024	99606	Redi-Sleeve	
224.67	225.00	12.00	S	*150X225X12★	32	171.70	172.00	14.00	S	*155X172X14★	32
8.845	8.858	.472				6.760	6.772	.551			
5.937" (5-15/16") SHAFT						173.70	174.00	12.00	S	*155X174X12★	32
-	-	-	S	801500	VRS1	6.838	6.850	.472			
-	-	-	V	801504	VRS1	179.67	180.00	12.00	S	*155X180X12★	32
-	-	1.000	S	*99596	Redi-Sleeve	7.074	7.087	.472			
6.801	-	1.125	S	8907	#	179.67	180.00	13.00	S	*155X180X13★	32
7.502	7.508	.562	S	417780	41	7.074	7.087	.512			
5.997" SHAFT						180.00	180.23	15.00	S	155X180X15★	32
-	-	-	S	801500	VRS1	7.087	7.096	.591			
-	-	-	V	801504	VRS1	184.67	185.00	16.00	S	*155X185X16★	32
-	-	.500	S	99601	Redi-Sleeve	7.270	7.283	.630			
-	-	1.000	S	99599	Redi-Sleeve	6.107" SHAFT					
7.125	7.131	.500	T	39956◀	DW-H	6.750	6.757	.500	V	*4165◀	#
6.000" SHAFT						6.750	6.757	.500	V	*4165V◀	#
-	-	-	S	801500	VRS1	6.750	6.757	.675	V	*600319◀	41
-	-	-	V	801504	VRS1	6.110" SHAFT					
-	-	.500	S	99601	Redi-Sleeve	7.187	7.192	.400	S	*710500	230
-	-	1.000	S	99599	Redi-Sleeve	6.125" (6-1/8") SHAFT					
6.750	6.756	.437	T	39807◀	W-H	6.750	6.757	.375	H	*336665H	33
6.750	6.757	.500	H	*2297◀	25	7.125	7.131	.500	V	*486701	48
6.750	6.757	.500	V	2297V◀	25	7.125	7.133	.625	S	*415330	41
6.750	6.757	.625	T	39823▶	DW-H	7.125	7.133	.625	S	*415330	41
6.751	6.757	.375	S	447793	44	7.125	7.133	.625	H	*455330H	45
7.000	7.007	.500	S	*415683	41	7.500	7.508	.562	S	*415074	41
7.000	7.008	.625	S	*416055	41	7.500	7.508	.562	H	*415074H	41
7.000	7.008	.625	N	*416055N	41	7.500	7.508	.562	N	*415074N	41
7.001	7.008	.625	V	456055	45	7.500	7.508	.562	S	*455074	45
7.001	7.008	.625	N	*456055N	45	7.627	7.633	.625	S	*457874	45
7.001	7.008	.625	V	*456055V	45	7.750	7.756	.750	S	*417017	41
7.125	7.132	.562	S	*417365	41	7.875	7.881	.750	N	*417053N	41
7.125	7.132	.562	S	*457365	45						
7.125	7.132	.562	S	*477365	47						
7.125	7.132	.562	S	*487365	48						
7.125	7.133	.625	S	*416219	41						
7.125	7.133	.625	H	*416219H	41						
7.125	7.133	.625	N	*416219N	41						
7.125	7.133	.625	N	*456219N	45						

SIZE SECTION

For Illustration and Material Data See Technical Section
 # Designed For A Specific Application - Not Recommended For General Use ▶ Hydrodynamic Lip Design-CW ◀ Hydrodynamic Lip Design-CCW
 * Call 1-800-480-1212 For Price and Delivery ★ Metric Seal

Size Section

NATIONAL®

Hsg. Bore	Seal O.D.	Seal Width	Lip Mat'l	Part No.	Type/ Illus.	Hsg. Bore	Seal O.D.	Seal Width	Lip Mat'l	Part No.	Type/ Illus.
156,00mm (6.142") SHAFT						160,00mm (6.299") SHAFT (cont.)					
180.00	180.20	15.00	T	712110★◄	W	200.00	200.20	15.00	S	160X200X15★	32
7.087	7.094	.591				7.874	7.882	.591			
180.00	180.40	15.00	T	712122★◄	FW-H	239.67	240.00	15.00	S	*160X240X15★	32
7.087	7.102	.591				9.436	9.449	.591			
8.000	8.007	.658	V	*4602V	#	6.312" SHAFT					
6.187" (6-3/16") SHAFT						7.500	7.507	.690	H	*3061H	41
7.250	7.258	.734	S	417921	41	7.500	7.507	.690	V	*3061V	41
7.500	7.507	.562	H	*455583H	45	7.500	7.507	.690	H	*77322H	7S
7.500	7.507	.562	N	455583N	45	7.500	7.507	.690	V	*77322V	7S
7.500	7.508	.562	S	455583	45	6.328" SHAFT					
6.198" SHAFT						7.329	7.336	.500	H	3807	64
7.328	7.336	.354	T	39885◄	FW-H	6.375" (6-3/8") SHAFT					
7.328	7.336	.445	T	39888◄	FW-H	7.875	7.881	.750	S	*415110	41
6.202" SHAFT						7.875	7.883	.500	S	417563	41
7.329	7.336	.377	T	39886◄	DW-H	8.000	8.008	1.060	S	*7516	#
6.204" SHAFT						162,00mm (6.378") SHAFT					
7.328	7.336	.562	H	2628	64	200.00	200.20	15.00	S	*162X200X15★	32
7.330	7.336	.445	T	39887►	FW-H	7.874	7.882	.591			
6.238" SHAFT						165,00mm (6.496") SHAFT					
8.654	8.661	.560	T	*39044◄	90	-	-	1.000		99650	Redi-Sleeve
8.655	8.661	1.100	T	39883◄	90	189.67	190.00	14.00	S	*165X190X14★	32
6.250" (6-1/4") SHAFT						7.467	7.480	.551			
-	-	1.031		99625	Redi-Sleeve	189.67	190.00	15.00	S	*165X190X15★	32
7.500	7.508	.562	S	*415480	41	7.467	7.480	.591			
7.500	7.508	.562	S	455480	45	190.00	190.35	13.00	S	165X190X13★	41
7.500	7.508	.562	H	*455480H	45	7.480	7.494	.512			
7.500	7.508	.562	V	455480V	45	7.632	7.638	.497	T	37586	#
7.750	7.758	.500	S	417562	41	194.67	195.00	15.00	S	*165X195X15★	32
7.750	7.758	.750	S	*455109	45	7.664	7.677	.591			
7.875	7.881	.750	S	415854	41	199.67	200.00	14.00	S	*165X200X14★	32
7.875	7.881	.750	S	*455854	45	7.861	7.874	.551			
160,00mm (6.299") SHAFT						9.600	9.606	.540	T	39861◄	#
-	-	1.000		99630	Redi-Sleeve	6.500" (6-1/2") SHAFT					
179.67	180.00	10.00	S	*160X180X10★	32	-	-	-	S	801700	VRS1
7.074	7.087	.394				-	-	-	S	801701	VRS2
179.67	180.00	13.00	S	*160X180X13★	32	-	-	1.000		99650	Redi-Sleeve
7.074	7.087	.512				7.382	7.392	.622	S	*415913	41
181.67	182.00	18.00	S	*160X182X18★	32	7.382	7.392	.622	N	*415913N	41
7.152	7.165	.709				7.500	7.508	.562	S	415294	41
184.67	185.00	13.00	S	*160X185X13★	32	7.500	7.508	.562	N	*415294N	41
7.270	7.283	.512				7.500	7.508	.562	S	455294	45
185.00	185.20	10.00	V	*160X185X10V★	35	7.500	7.508	.562	N	*455294N	45
7.283	7.291	.394				7.500	7.508	.562	V	*455294V	45
185.00	185.35	10.00	S	160X185X10★	35	7.501	7.508	.812	S	*3276	#
7.283	7.297	.394				7.627	7.633	.625	S	*457808	45
189.67	190.00	13.00	S	*160X190X13★	32	8.000	8.007	.625	T	41509►	PDW
7.467	7.480	.512				8.000	8.007	.625	T	41510◄	PDW
190.00	190.20	15.00	V	*160X190X15V★	32	8.000	8.009	.625	S	416229	41
7.480	7.488	.591				8.000	8.009	.625	N	*416229N	41
190.00	190.35	15.00	S	160X190X15★	32	8.000	8.009	.750	S	*415111	41
7.480	7.494	.591				8.000	8.009	.750	S	*455111	45
190.00	190.40	13.00	T	712118★◄	FW-H	8.000	8.009	.750	H	*455111H	45
7.480	7.496	.512				8.750	8.757	.750	N	*457131N	45
199.67	200.00	14.00	S	*160X200X14★	32	9.252	9.260	.750	S	*416592	41
7.861	7.874	.551				6.625" (6-5/8") SHAFT					
200.00	200.20	12.00	S	160X200X12★	32	-	-	-	S	801700	VRS1
7.874	7.882	.472				-	-	-	S	801701	VRS2
6.238" SHAFT						8.000	8.007	.750	T	*914411◄	91

For Illustration and Material Data See Technical Section

Designed For A Specific Application - Not Recommended For General Use ◄ Hydrodynamic Lip Design-CW ◄ Hydrodynamic Lip Design-CCW

* Call 1-800-480-1212 For Price and Delivery ★ Metric Seal

Hsg. Bore	Seal O.D.	Seal Width	Lip Mat'l	Part No.	Type/Illus.
6.625" (6-5/8") SHAFT (cont.)					
8.000	8.007	.750	T	*914412◀	91
8.000	8.007	1.000	T	*914413▶	91
8.007	8.014	.605	S	*370149A	06
8.125	8.134	.625	S	417298	41
9.615	9.622	.979	V	*4354V	#
170,00mm (6.693") SHAFT					
-	-	-	S	801700	VRS1
-	-	-	S	801701	VRS2
-	-	1.250		*99640	Redi-Sleeve
189.67	190.00	10.00	S	*170X190X10★	32
7.467	7.480	.394			
189.67	190.00	14.00	S	*170X190X14★	32
7.467	7.480	.551			
200.00	200.35	15.00	S	170X200X15★	32
7.874	7.888	.591			
210.00	210.20	15.00	S	170X210X15★	32
8.268	8.276	.591			
6.750" (6-3/4") SHAFT					
-	-	-	S	801700	VRS1
-	-	-	S	801701	VRS2
-	-	.813		99675	Redi-Sleeve
7.657	7.750	.500	S	*476871	47
8.000	8.007	.625	S	*455327	45
8.000	8.007	.625	V	*455327V	45
8.000	8.009	.625	S	415327	41
8.000	8.009	.625	H	*415327H	41
8.000	8.009	.625	N	*415327N	41
8.007	8.017	.625	S	416362	41
8.007	8.017	.625	N	*416362N	41
8.007	8.017	.625	V	*416362V	41
8.250	8.257	.562	S	417596	41
8.250	8.257	.750	S	*415092	41
8.500	8.509	.625	S	416008	41
6.772" SHAFT					
-	-	-	S	801700	VRS1
-	-	-	S	801701	VRS2
9.000	9.007	.658	V	*4603V	#
6.775" SHAFT					
-	-	-	S	801700	VRS1
-	-	-	S	801701	VRS2
7.875	7.880	.360	S	710562	230
6.875" (6-7/8") SHAFT					
-	-	-	S	801700	VRS1
-	-	-	S	801701	VRS2
7.875	7.883	.625	S	455948	45
8.375	8.382	.625	S	455584	45
8.375	8.382	.625	N	*455584N	45
8.375	8.382	.750	S	*455114	45
8.543	8.543	.825	S	*3124%	46
175,00mm (6.890") SHAFT					
-	-	-	S	801700	VRS1
-	-	-	S	801701	VRS2
-	-	-	S	801800	VRS1
200.00	200.35	15.00	S	175X200X15★	32
7.874	7.888	.591			
209.67	210.00	15.00	S	*175X210X15★	32
8.255	8.268	.591			
229.67	230.00	20.00	S	*175X230X20★	32
9.042	9.055	.787			

Hsg. Bore	Seal O.D.	Seal Width	Lip Mat'l	Part No.	Type/Illus.
6.937" (6-15/16") SHAFT					
-	-	-	S	801800	VRS1
8.129	8.138	.750	S	*455592	45
6.956" SHAFT					
-	-	-	S	801800	VRS1
8.625	8.633	.750	S	*3123	#
7.000" SHAFT					
-	-	-	S	801800	VRS1
-	-	1.000		99700	Redi-Sleeve
8.000	8.007	.562	S	*455699	45
8.000	8.007	.750	S	*455517	45
8.000	8.007	.750	N	*455517N	45
8.000	8.009	.625	S	416364	41
8.000	8.009	.625	N	*416364N	41
8.000	8.009	.625	V	*416364V	41
8.000	8.009	.625	S	*456364	45
8.000	8.009	.625	N	*456364N	45
8.000	8.009	.625	V	*456364V	45
8.000	8.009	.750	S	*415517	41
8.001	8.009	.750	S	*455282	45
8.001	8.009	.750	N	*455282N	45
8.250	8.257	.625	S	417597	41
8.250	8.258	.750	S	*455452	45
8.251	8.258	.625	S	*457466	45
8.375	8.382	.625	S	417255	41
8.375	8.382	.750	S	*416674	41
8.375	8.382	.750	N	*416674N	41
8.375	8.382	.750	V	416674V	41
8.377	8.384	.750	S	*456724	45
8.500	8.507	1.031	S	*216239	21
8.500	8.509	.625	S	416239	41
8.500	8.509	.750	S	*415084	41
8.500	8.509	.750	N	*415084N	41
8.500	8.509	.750	S	*455084	45
8.500	8.509	.750	S	*475084	47
8.750	8.759	.625	S	417564	41
8.750	8.759	.750	S	*455421	45
9.313	9.321	.625	S	415876	41
9.313	9.321	.625	V	415876V	41
180,00mm (7.087") SHAFT					
-	-	-	S	801800	VRS1
-	-	1.300		*99721	Redi-Sleeve
199.67	200.00	14.00	S	*180X200X14★	32
7.861	7.874	.551			
199.67	200.00	15.00	S	*180X200X15★	32
7.861	7.874	.591			
210.00	210.35	15.00	S	180X210X15★	32
8.268	8.281	.591			
214.67	215.00	15.00	S	*180X215X15★	32
8.452	8.465	.591			
219.67	220.00	15.00	S	*180X220X15★	32
8.648	8.661	.591			
219.67	220.00	16.00	S	*180X220X16★	32
8.648	8.661	.630			
7.117" SHAFT					
-	-	-	S	801800	VRS1
8.126	8.134	.750	S	*415859	41
7.125" (7-1/8") SHAFT					
-	-	-	S	801800	VRS1
8.007	8.017	.625	S	*415927	41
8.494	8.501	1.062	S	*7747	47
8.625	8.632	.562	S	416077	41
8.625	8.632	.562	N	*416077N	41

SIZE SECTION

For Illustration and Material Data See Technical Section
 # Designed For A Specific Application - Not Recommended For General Use ▶ Hydrodynamic Lip Design-CW ◀ Hydrodynamic Lip Design-CCW % External Bore
 * Call 1-800-480-1212 For Price and Delivery ★ Metric Seal

Size Section

NATIONAL®

Hsg. Bore	Seal O.D.	Seal Width	Lip Mat'l	Part No.	Type/ Illus.
7.125" (7-1/8") SHAFT (cont.)					
8.625	8.634	.750	S	*415115	41
8.625	8.634	.750	N	*415115N	41
7.250" (7-1/4") SHAFT					
-	-	-	S	801800	VRS1
-	-	1.250	S	*99725	Redi-Sleeve
8.125	8.132	.940	T	39815	DW-H
8.125	8.133	.500	T	39701	FW-H
8.250	8.257	.625	S	*456044	45
8.250	8.257	.625	S	*416044	41
8.750	8.758	.605	S	370175A	06
8.750	8.759	.750	S	*415116	41
9.125	9.133	.750	S	*416395	41
185,00mm (7.283") SHAFT					
-	-	-	S	801800	VRS1
209.67	210.00	15.00	S	*185X210X15	32
8.255	8.268	.591			
210.00	210.35	13.00	S	185X210X13	35
8.268	8.281	.512			
215.00	215.22	16.00	S	*185X215X16	32
8.465	8.473	.630			
7.375" (7-3/8") SHAFT					
-	-	-	S	801900	VRS1
-	-	-	S	801901	VRS2
8.875	8.882	.750	S	*455117	45
8.875	8.882	.750	V	*455117V	45
9.000	9.010	.750	S	415317	41
9.054	9.063	1.062	S	*370082A	03
9.375	9.382	.750	S	*456248	45
9.615	9.622	.979	V	4353	#
190,00mm (7.480") SHAFT					
-	-	-	S	801900	VRS1
-	-	-	S	801901	VRS2
-	-	-	S	802000	VRS1
209.67	210.00	10.00	S	*190X210X10	32
8.255	8.268	.394			
209.67	210.00	15.00	S	*190X210X15	32
8.255	8.268	.591			
220.00	220.35	15.00	S	*190X220X15	32
8.661	8.675	.591			
220.00	220.35	16.00	S	*231905	35
8.661	8.675	.630			
220.00	220.35	16.00	S	190X220X16	32
8.661	8.675	.630			
224.67	225.00	12.00	S	*190X225X12	32
8.845	8.858	.472			
224.67	225.00	16.00	S	*190X225X16	32
8.845	8.858	.630			
225.00	225.20	16.00	V	*190X225X16V	32
8.858	8.866	.630			
229.67	230.00	15.00	S	*190X230X15	32
9.042	9.055	.591			
230.00	230.20	16.00	S	190X230X16	32
9.055	9.063	.630			
7.500" (7-1/2") SHAFT					
-	-	-	S	801900	VRS1
-	-	-	S	801901	VRS2
-	-	-	S	802000	VRS1
-	-	.813	S	*99750	Redi-Sleeve
8.500	8.509	.625	S	*415867	41
8.500	8.509	.625	V	455867V	45
9.000	9.010	.750	S	*415551	41
9.000	9.010	.750	N	*415551N	41

Hsg. Bore	Seal O.D.	Seal Width	Lip Mat'l	Part No.	Type/ Illus.
7.500" (7-1/2") SHAFT (cont.)					
9.000	9.010	.750	V	415551V	41
9.000	9.010	.750	S	*455551	45
9.000	9.010	.750	N	*455551N	45
9.243	9.250	.625	S	417283	41
9.243	9.250	.625	N	*417283N	41
9.750	9.758	.625	N	*417904N	41
10.500	10.510	.750	S	417385	41
10.500	10.510	.750	V	*417385V	41
7.625" (7-5/8") SHAFT					
-	-	-	S	801900	VRS1
-	-	-	S	801901	VRS2
-	-	-	S	802000	VRS1
8.623	8.630	.715	S	*416482	41
8.625	8.632	.562	S	416102	41
9.125	9.133	.625	S	*417598	41
9.125	9.133	.625	V	417598V	41
9.250	9.258	.625	S	*457991	45
195,00mm (7.677") SHAFT					
229.67	230.00	16.00	S	*195X230X16	32
9.042	9.055	.630			
229.67	230.00	20.00	S	*195X230X20	32
9.042	9.055	.787			
7.718" (7-25/32") SHAFT					
-	-	-	S	801990	VRS1
-	-	-	S	801991	VRS2
-	-	-	S	802000	VRS1
9.186	9.191	.875	S	*8562	#
7.750" (7-3/4") SHAFT					
-	-	-	S	801990	VRS1
-	-	-	S	801991	VRS2
-	-	-	S	802000	VRS1
-	-	1.000	S	*99775	Redi-Sleeve
9.000	9.010	.625	S	457299	45
9.250	9.258	.750	S	*415120	41
9.250	9.260	.625	S	*455406	45
10.000	10.008	.750	S	*417115	41
10.500	10.510	.750	N	*457149N	45
10.500	10.510	.750	V	*457149V	45
7.872" SHAFT					
-	-	-	S	801990	VRS1
-	-	-	S	801991	VRS2
-	-	-	S	802000	VRS1
-	-	1.359	S	*99787	Redi-Sleeve
9.500	9.507	.750	S	*455945	45
200,00mm (7.874") SHAFT					
-	-	-	S	801990	VRS1
-	-	-	S	801991	VRS2
-	-	-	S	802000	VRS1
-	-	1.359	S	*99787	Redi-Sleeve
229.67	230.00	13.00	S	*200X230X13	32
9.042	9.055	.512			
230.00	230.20	15.00	V	*200X230X15V	32
9.055	9.063	.591			
230.00	230.35	15.00	S	200X230X15	32
9.055	9.069	.591			
234.67	235.00	15.00	S	*200X235X15	32
9.239	9.252	.591			
239.67	240.00	15.00	S	*200X240X15	32
9.436	9.449	.591			

For Illustration and Material Data See Technical Section

Designed For A Specific Application - Not Recommended For General Use ◀ Hydrodynamic Lip Design-CCW * Call 1-800-480-1212 For Price and Delivery ★ Metric Seal

Hsg. Bore	Seal O.D.	Seal Width	Lip Mat'l	Part No.	Type/Illus.	Hsg. Bore	Seal O.D.	Seal Width	Lip Mat'l	Part No.	Type/Illus.
200,00mm (7.874") SHAFT (cont.)						205,00mm (8.071") SHAFT					
239.67	240.00	20.00	S	*200X240X20★	32	224.67	225.00	18.00	S	*205X225X18★	32
9.436	9.449	.787	S	*200X250X16★	32	8.845	8.858	.709	S	*205X235X18★	32
249.67	250.00	16.00	S	*200X250X20★	32	234.67	235.00	18.00	S	*205X235X18★	32
9.830	9.843	.630	S	*200X250X20★	32	9.239	9.252	.709	S		
249.67	250.00	20.00	S	*200X250X20★	32	8.125" (8-1/8") SHAFT					
9.830	9.843	.787	S			-	-	-	S	801990	VRS1
7.875" SHAFT						-	-	-	S	801991	VRS2
9.000	9.010	.750	S	*455397	45	-	-	-	S	802000	VRS1
9.250	9.258	1.000	S	*417657	41	8.750	8.757	.375	S	*256656	25
9.375	9.383	.750	S	455121	45	9.371	9.379	.425	S	*3594	#
9.375	9.383	.750	N	*455121N	45	9.375	9.379	.750	S	*455944	45
9.375	9.383	.750	V	455121V	45	10.125	10.130	.750	S	455123	45
10.000	10.008	.625	S	417016	41	8.250" (8-1/4") SHAFT					
10.000	10.008	.750	S	*417114	41	-	-	-	S	801990	VRS1
10.234	10.242	.605	S	*370151A	06	-	-	-	S	801991	VRS2
7.908" SHAFT						-	-	-	S	802000	VRS1
-	-	-	S	801990	VRS1	9.250	9.258	.625	S	455475	45
-	-	-	S	801991	VRS2	9.500	9.509	.625	V	458009V	45
-	-	-	S	802000	VRS1	10.250	10.260	.750	S	415124	41
9.528	9.535	.960	S	*3776S	#	10.625	10.633	.750	S	416951	41
7.927" SHAFT						11.500	11.507	.750	S	416422	41
-	-	-	S	801990	VRS1	11.500	11.507	.750	N	*416422N	41
-	-	-	S	801991	VRS2	210,00mm (8.268") SHAFT					
-	-	-	S	802000	VRS1	-	-	-	S	801990	VRS1
9.174	9.182	.687	S	*8228	#	-	-	-	S	801991	VRS2
7.937" (7-15/16") SHAFT						-	-	-	S	802000	VRS1
-	-	-	S	801990	VRS1	240.00	240.35	15.00	S	210X240X15★	35
-	-	-	S	801991	VRS2	9.449	9.463	.591	S	*210X250X16★	32
-	-	-	S	802000	VRS1	249.67	250.00	16.00	S	*210X250X16★	32
-	-	1.000	S	*99799	Redi-Sleeve	9.830	9.843	.630	S	210X250X15★	32
8.750	8.757	.565	S	417817	41	250.00	250.20	15.00	S	210X250X15★	32
7.995" SHAFT						9.843	9.850	.591	S	*210X270X16★	32
-	-	-	S	801990	VRS1	269.67	270.00	16.00	S		
-	-	-	S	801991	VRS2	10.617	10.630	.630	S		
-	-	-	S	802000	VRS1	8.345" SHAFT					
-	-	1.000	S	*99800	Redi-Sleeve	-	-	-	S	802200	VRS1
10.000	10.010	.750	S	*416403	41	10.750	10.758	1.125	S	*396412	#
11.625	11.633	1.078	S	8724S	41	8.375" (8-3/8") SHAFT					
8.000" SHAFT						-	-	-	S	802200	VRS1
-	-	-	S	801990	VRS1	10.375	10.385	.625	S	417022	41
-	-	-	S	801991	VRS2	8.500" (8-1/2") SHAFT					
-	-	-	S	802000	VRS1	-	-	-	S	802200	VRS1
-	-	1.000	S	*99800	Redi-Sleeve	9.500	9.509	.625	V	455828V	45
9.000	9.010	.750	S	415656	41	10.000	10.008	.625	S	417603	41
9.250	9.258	.625	S	417600	41	10.000	10.010	.687	S	*456554	45
9.250	9.260	.750	S	*415299	41	10.000	10.010	.750	S	*415489	41
9.250	9.260	.750	S	*455299	45	10.000	10.010	.750	V	*415489V	41
9.500	9.508	.625	S	417601	41	10.000	10.010	.750	S	*455489	45
9.500	9.508	.860	S	*3624	#	10.000	10.010	.750	H	*455489H	45
9.500	9.510	.750	S	*415300	41	10.500	10.508	.625	S	417604	41
9.500	9.510	.750	N	*415300N	41	10.500	10.510	.750	S	*455126	45
9.500	9.510	.750	S	*455300	45	10.500	10.510	.750	H	*455126H	45
10.000	10.008	.625	S	417602	41	10.625	10.633	.750	S	416394	41
10.000	10.008	.625	N	*417602N	41	8.625" (8-5/8") SHAFT					
10.000	10.008	.750	S	*415122	41	-	-	-	S	802200	VRS1
10.000	10.008	.750	S	*455122	45	9.778	9.786	.625	S	*256616	25
10.000	10.008	1.145	S	*396440	#	10.625	10.635	.750	S	417567	41
10.125	10.133	.750	S	415052	41						
11.624	11.632	.750	S	7131	#						

SIZE SECTION

For Illustration and Material Data See Technical Section
 # Designed For A Specific Application - Not Recommended For General Use * Call 1-800-480-1212 For Price and Delivery ★ Metric Seal

Size Section

NATIONAL®

Hsg. Bore	Seal O.D.	Seal Width	Lip Mat'l	Part No.	Type/ Illus.
220,00mm (8.661") SHAFT					
—	—	—	S	802200	VRS1
250.00	250.20	15.00	V	*220X250X15V★	35
9.843	9.850	.591			
250.00	250.35	15.00	S	220X250X15★	32
9.843	9.856	.591			
254.67	255.00	16.00	S	*220X255X16★	32
10.026	10.039	.630			
259.67	260.00	14.00	S	*220X260X14★	32
10.223	10.236	.551			
259.67	260.00	16.00	S	*220X260X16★	32
10.223	10.236	.630			
260.00	260.20	15.00	S	*220X260X15★	32
10.236	10.244	.591			
222,00mm (8.740") SHAFT					
244.67	245.00	13.00	S	*222X245X13★	32
9.633	9.646	.512			
8.750" (8-3/4") SHAFT					
—	—	—	S	802200	VRS1
10.250	10.260	.688	S	*486642	48
10.250	10.260	.688	H	*486642H	48
10.500	10.510	.750	S	455966	45
10.750	10.758	.750	S	415128	41
10.750	10.758	.750	S	*455128	45
8.875" (8-7/8") SHAFT					
—	—	—	S	802200	VRS1
10.122	10.130	.750	S	416657	41
10.125	10.130	.750	S	*455930	45
10.875	10.885	.750	S	455129	45
9.000" SHAFT					
—	—	—	S	802200	VRS1
10.000	10.010	.750	S	55301S	45
10.000	10.010	.750	S	455301	45
10.088	10.095	.625	S	417940	41
10.250	10.260	.750	S	455476	45
10.375	10.384	.625	S	456462	45
10.376	10.384	.625	S	2791	33
10.500	10.510	.750	S	455462	45
11.000	11.008	.750	S	415090	41
11.000	11.008	.750	S	*455090	45
9.052" SHAFT					
—	—	—	S	802200	VRS1
10.709	10.720	.625	T	39893◀	FW-H
10.709	10.720	.625	T	39894▶	FW-H
230,00mm (9.055") SHAFT					
—	—	—	S	802200	VRS1
260.00	260.35	15.00	S	230X260X15★	35
10.236	10.250	.591			
9.086" SHAFT					
—	—	—	S	802200	VRS1
11.004	11.016	.371	S	*9843	#
9.125" (9-1/8") SHAFT					
—	—	—	S	802200	VRS1
10.377	10.384	.625	S	*415352	41
233,00mm (9.173") SHAFT					
—	—	—	S	802200	VRS1

Hsg. Bore	Seal O.D.	Seal Width	Lip Mat'l	Part No.	Type/ Illus.
233,00mm (9.173") SHAFT (cont.)					
272.00	272.26	15.88	V	*3689★	#
10.709	10.719	.625			
9.250" (9-1/4") SHAFT					
—	—	—	S	802200	VRS1
—	—	—	S	802500	VRS1
—	—	—	S	802502	VRS3
10.250	10.258	.500	N	337426N	33
11.000	11.008	.750	S	416257	41
11.000	11.008	.750	H	*416257H	41
11.250	11.260	.750	S	415219	41
11.250	11.260	.750	N	*415219N	41
11.500	11.508	.750	S	*416798	41
12.750	12.758	1.125	S	*8996S	70
9.375" (9-3/8") SHAFT					
—	—	—	S	802500	VRS1
—	—	—	S	802502	VRS3
11.273	11.273	.825	S	*3503%	#
11.375	11.385	.750	S	415871	41
11.375	11.385	.750	H	*415871H	41
11.375	11.385	.750	S	*455871	45
11.375	11.385	.750	N	*455871N	45
11.375	11.385	.750	V	*455871V	45
12.750	12.758	1.250	S	*417018	41
9.437" (9-7/16") SHAFT					
—	—	—	S	802500	VRS1
—	—	—	S	802502	VRS3
10.630	10.640	.750	S	*455596	45
10.630	10.640	.750	H	*455596H	45
240,00mm (9.449") SHAFT					
—	—	—	S	802500	VRS1
—	—	—	S	802502	VRS3
270.00	270.35	15.00	S	240X270X15★	35
10.630	10.644	.591			
270.00	270.35	16.00	S	*240X270X16★	35
10.630	10.644	.630			
279.67	280.00	18.00	S	*240X280X18★	32
11.011	11.024	.709			
279.67	280.00	20.00	S	*240X280X20★	32
11.011	11.024	.787			
280.00	280.20	16.00	S	240X280X16★	32
11.024	11.031	.630			
9.466" SHAFT					
—	—	—	S	802500	VRS1
—	—	—	S	802502	VRS3
10.875	10.891	.375	S	710800	230
9.477" SHAFT					
—	—	—	S	802500	VRS1
—	—	—	S	802502	VRS3
11.375	11.383	.750	S	*3502	45
9.500" (9-1/2") SHAFT					
—	—	—	S	802500	VRS1
—	—	—	S	802502	VRS3
11.500	11.508	.625	S	417606	41
11.500	11.508	.625	V	*417606V	41
11.500	11.510	.750	S	*417374	41
12.499	12.509	.687	S	9555S	41

For Illustration and Material Data See Technical Section

Designed For A Specific Application - Not Recommended For General Use ▶ Hydrodynamic Lip Design-CW ◀ Hydrodynamic Lip Design-CCW % External Bore

* Call 1-800-480-1212 For Price and Delivery ★ Metric Seal

Hsg. Bore	Seal O.D.	Seal Width	Lip Mat'l	Part No.	Type/Illus.	Hsg. Bore	Seal O.D.	Seal Width	Lip Mat'l	Part No.	Type/Illus.
9.620" SHAFT						10.500" (10-1/2") SHAFT (cont.)					
-	-	-	S	802500	VRS1	12.500	12.508	1.234	S	*7564	39
-	-	-	S	802502	VRS3	13.375	13.383	.750	S	*417607	41
12.750	12.758	1.250	V	*416381V	41	13.375	13.383	1.250	S	*417116	41
9.625" (9-5/8") SHAFT						10.625" (10-5/8") SHAFT					
-	-	-	S	802500	VRS1	-	-	-	S	802750	VRS1
-	-	-	S	802502	VRS3	-	-	-	S	802752	VRS3
12.750	12.758	1.250	S	416381	41	12.500	12.508	.625	S	*417641	41
9.750" (9-3/4") SHAFT						270,00mm (10.630") SHAFT					
-	-	-	S	802500	VRS1	-	-	-	S	802750	VRS1
-	-	-	S	802502	VRS3	-	-	-	S	802752	VRS3
11.250	11.260	.750	S	55078S	5S	12.000	12.812	.371	S	*9063	#
250,00mm (9.843") SHAFT						10.750" (10-3/4") SHAFT					
-	-	-	S	802500	VRS1	-	-	-	S	802750	VRS1
-	-	-	S	802502	VRS3	-	-	-	S	802752	VRS3
280,00	280,35	15,00	S	*250X280X15★	35	13.374	13.381	1.250	S	416383	41
11.024	11.037	.591	S	*250X290X15★	32	10.820" SHAFT					
289,67	290,00	15,00	S	*250X290X15★	32	-	-	-	S	802750	VRS1
11.404	11.417	.591	S	*250X290X15★	32	-	-	-	S	802752	VRS3
9.910" SHAFT						11.000" SHAFT					
-	-	-	S	802500	VRS1	-	-	-	S	802750	VRS1
-	-	-	S	802502	VRS3	-	-	-	S	802752	VRS3
10.995	11.005	.625	S	417939	41	12.500	12.510	.625	S	417571	41
10.997	11.005	.625	S	2792	33	12.500	12.514	1.250	S	*476262	47
10.997	11.005	.625	S	456464	45	12.500	12.514	1.250	N	*476262N	47
10.000" SHAFT						11.006" SHAFT					
-	-	-	S	802500	VRS1	-	-	-	S	802750	VRS1
-	-	-	S	802502	VRS3	-	-	-	S	802752	VRS3
11.000	11.008	.625	S	417605	41	12.875	12.891	.625	S	710925	230
11.000	11.010	.750	S	*415270	41	280,00mm (11.024") SHAFT					
11.000	11.010	.750	S	*455270	45	-	-	-	S	802750	VRS1
11.000	11.010	.750	N	*455270N	45	-	-	-	S	802752	VRS3
11.000	11.010	.750	V	*455270V	45	320,00	320,45	20,00	S	280X320X20★	32
11.250	11.260	.750	S	*456483	45	12.598	12.616	.787	S		
11.500	11.508	.750	V	457096V	45	11.220" SHAFT					
12.000	12.008	.625	S	417020	41	-	-	-	S	802750	VRS1
260,00mm (10.236") SHAFT						285,00mm (11.220") SHAFT					
-	-	-	S	802500	VRS1	319,67	320,00	20,00	S	*285X320X20★	32
-	-	-	S	802502	VRS3	12.585	12.598	.787	S		
289,67	290,00	15,00	S	*260X290X15★	32	290,00mm (11.417") SHAFT					
11.404	11.417	.591	S	*260X300X20★	32	329,67	330,00	18,00	S	*290X330X18★	32
300,00	300,45	20,00	S	*260X300X20★	32	12.979	12.992	.709	S		
11.811	11.829	.787	S	*260X300X20★	32	11.500" (11-1/2") SHAFT					
10.250" (10-1/4") SHAFT						11.500" (11-1/2") SHAFT					
-	-	-	S	802500	VRS1	-	-	-	S	803000	VRS1
-	-	-	S	802502	VRS3	-	-	-	S	803002	VRS3
12.250	12.260	.750	S	417570	41	10.500" (10-1/2") SHAFT					
265,00mm (10.433") SHAFT						10.500" (10-1/2") SHAFT					
289,67	290,00	16,00	S	*265X290X16★	32	-	-	-	S	802750	VRS1
11.404	11.417	.630	S	*265X290X16★	32	-	-	-	S	802752	VRS3
10.500" (10-1/2") SHAFT						10.500" (10-1/2") SHAFT					
-	-	-	S	802750	VRS1	12.000	12.008	.625	S	457997	45
-	-	-	S	802752	VRS3	12.500	12.508	.625	S	*417756	41
12.000	12.008	.625	S	457997	45	12.500	12.508	1.000	S	415227	41
12.500	12.508	.625	S	*417756	41	12.500	12.508	1.000	V	*415227V	41
12.500	12.508	1.000	S	415227	41	11.500" (11-1/2") SHAFT					
12.500	12.508	1.000	V	*415227V	41	-	-	-	S	803000	VRS1
11.500" (11-1/2") SHAFT						11.500" (11-1/2") SHAFT					
-	-	-	S	803000	VRS1	-	-	-	S	803002	VRS3
-	-	-	S	803002	VRS3						

SIZE SECTION

For Illustration and Material Data See Technical Section

Designed For A Specific Application - Not Recommended For General Use ➔ Hydrodynamic Lip Design-CW ◀ Hydrodynamic Lip Design-CCW

* Call 1-800-480-1212 For Price and Delivery ★ Metric Seal

Size Section
NATIONAL®

Hsg. Bore	Seal O.D.	Seal Width	Lip Mat'l	Part No.	Type/ Illus.	Hsg. Bore	Seal O.D.	Seal Width	Lip Mat'l	Part No.	Type/ Illus.
11.500" (11-1/2") SHAFT (cont.)						16.250" SHAFT (cont.)					
12.495	12.535	.250	S	*7387	#	18.000	18.010	.750	S	*4273	#
13.000	13.010	.750	S	415077	41	18.000	18.010	.750	S	55103S	45
13.500	13.508	.750	S	415076	41						
13.500	13.508	.750	V	*415076V	41						
11.586" SHAFT											
-	-	-	S	803000	VRS1						
-	-	-	S	803002	VRS3						
13.687	13.703	.562	S	711000	230						
300,00mm (11.811") SHAFT											
-	-	-	S	803000	VRS1						
-	-	-	S	803002	VRS3						
340,00	340,45	20,00	S	300X340X20★	32						
13.386	13.404	.787									
12.000" SHAFT											
-	-	-	S	803000	VRS1						
-	-	-	S	803002	VRS3						
13.500	13.508	.750	S	*457704	45						
14.000	14.010	.750	S	417608	41						
14.000	14.010	1.000	S	*7972S	45						
320,00mm (12.598") SHAFT											
-	-	-	V	803254	VRS1						
360,00	360,45	20,00	S	*320X360X20★	32						
14.173	14.191	.787									
12.750" (12-3/4") SHAFT											
-	-	-	V	803254	VRS1						
13.625	13.635	.562	S	*325940	32						
13.000" SHAFT											
-	-	-	V	803254	VRS1						
15.000	15.008	.750	S	*415648	41						
340,00mm (13.386") SHAFT											
-	-	-	S	803502	VRS3						
380,00	380,45	20,00	S	*340X380X20★	32						
14.961	14.978	.787									
13.797" SHAFT											
-	-	-	S	803502	VRS3						
15.500	15.516	.437	S	711200	230						
360,00mm (14.173") SHAFT											
-	-	-	S	803502	VRS3						
400,00	400,45	20,00	S	*360X400X20★	32						
15.748	15.766	.787									
380,00mm (14.961") SHAFT											
-	-	-	S	803750	VRS1						
420,00	420,45	20,00	S	*380X420X20★	32						
16.535	16.553	.787									
400,00mm (15.748") SHAFT											
-	-	-	S	804000	VRS1						
440,00	440,45	20,00	S	*400X440X20★	32						
17.323	17.341	.787									
16.250" SHAFT											
-	-	-	S	804000	VRS1						

For Illustration and Material Data See Technical Section

Designed For A Specific Application - Not Recommended For General Use * Call 1-800-480-1212 For Price and Delivery ★ Metric Seal

PLAIN ROUND FELTS

Shaft	O.D.	Width	Lip Mat'l	Part No.	Shaft	O.D.	Width	Lip Mat'l	Part No.
.938	1.500	.375	F	5MR1300	2.500	3.438	.313	F	5M89
1.750	2.438	.313	F	5M445	2.813	3.563	.313	F	5M559
1.938	2.875	.375	F	5M81	2.937	3.812	.313	F	5MR1009
1.938	3.000	.375	F	5M293	3.250	4.063	.313	F	5M643
2.000	2.750	.438	F	5M289	3.344	3.875	.281	F	5MR1301
2.000	3.125	.375	F	5M356	4.875	5.625	.375	F	5M544
2.000	3.125	.500	F	5M403	6.438	7.563	.500	F	5M466

For Illustration and Material Data see Technical Section

SEAL KITS

Kit Dimensions				Seal Dimensions				Bolt		Remarks	
Shaft	O.D.	Width	Bolt Holes Kit No.	Type/ Illus.	Seal No.	Type/ Lip Illus. Mat'l	Shaft	O.D.	Holes		Width
-	-	-	5068	#	-	-	-	-	-	-	(Split Seal)
-	-	-	5073	#	-	-	-	-	-	-	Contains (2) G753 Gasket
-	-	-	5106	#	-	-	-	-	-	-	Split Seal
-	-	-	5111	#	-	-	-	-	-	-	(Split Seal)
-	-	-	5112	#	-	-	-	-	-	-	(Split Seal)
-	-	-	5118	#	-	-	-	-	-	-	(Split Seal)
-	-	-	5682	#	-	-	-	-	-	-	-
-	-	-	5685	35	-	-	-	-	-	-	-
-	-	-	5686	35	-	-	-	-	-	-	(Kit)
-	-	-	5690	*	-	-	-	-	-	-	(Repair Kit)
-	-	-	5694	35	• 1884	32 S	2.047	2.688	-	.394	(Kit)
-	-	-	-	-	• 4899	66 S	2.205	2.958	-	.256	-
-	-	-	-	-	722111	-	-	-	-	-	-
-	-	-	5700	35	-	-	-	-	-	-	(Kit)
-	3.030	.325	5092	#	-	-	-	-	-	-	(Split Seal)
-	4.000	.187	5116	#	-	-	-	-	-	-	(Split Seal)
-	4.200	.222	5108	#	-	-	-	-	-	-	(Split Seal)
-	4.862	.410	* 5479	#	-	-	-	-	-	-	Contains (2) • G196 Gasket & (2) • G214 Gasket
-	4.875	.410	5596	#	-	-	-	-	-	-	Contains (2) • G196 Gasket & (2) • G456 Gasket
-	4.875	.455	5476	#	-	-	-	-	-	-	Contains (2) • G211 Gasket
-	5.625	.430	5414	#	-	-	-	-	-	-	Contains (2) • G129 Gasket & • G130 Gasket & • G131 Gasket
-	5.700	.415	* 5576	#	-	-	-	-	-	-	Contains (2) • G427 Gasket
-	5.700	.415	5650	#	-	-	-	-	-	-	-
-	6.240	.400	5591	#	-	-	-	-	-	-	Contains (2) • G462 Gasket & (2) • G463 Gasket
-	6.600	.430	5390	#	-	-	-	-	-	-	Contains (2) • G214 Gasket & (2) • G594 Gasket
-	6.906	.440	5419	#	-	-	-	-	-	-	Contains (2) • G137 Gasket
1.062	1.507	.250	5346	34	• 340210	34 S	1.062	1.507	-	.250	Contains (2) • 666215 'O' Ring & • 666232 'O' Ring & • 666334 'O' Ring
1.062	2.129	.625	5168	41	• 413293	41 S	1.187	2.129	-	.375	Contains • JV1872 Wear Sleeve
1.172	1.832	.422	5462	33	• 6370N	33 N	1.299	1.832	-	.375	Contains • J712 Wear Sleeve
1.250	1.756	-	PSK-1	A	SR2	-	-	-	-	-	(Kit)
-	-	-	-	(2)	SW2	-	-	-	-	-	-
-	-	-	-	-	5683++	32 S	1.250	1.756	-	.300	-
-	-	-	-	-	5684++	32 S	1.250	1.756	-	.399	-
1.250	2.254	.750	5166	41	• 410169	41 S	1.375	2.254	-	.500	Contains • JV1873 Wear Sleeve
1.376	2.254	1.370	5204	#	• 7495S	61 S	1.375	2.254	-	.713	Contains • RP 691 Bushing (Seal & Bushing Kit)
1.438	2.192	.480	5550	47	• 9249	47 S	1.437	2.192	-	.480	Contains • 623017 'O' Ring
1.493	2.507	.700	5592	39	• 8097%	39 S	1.476	2.447	-	.620	Contains • JV970 Wear Sleeve
1.500	2.378	1.500	5201	41	• 470059	47 S	1.500	2.378	-	.500	Contains • RP 605 Bushing (Seal & Bushing Kit)

SIZE SECTION

Designed For A Specific Application - Not Recommended For General Use ++ Not Sold Separately % External Bore * Call 1-800-480-1212 For Price and Delivery
• Sold Separately

Size Section—Kits

NATIONAL®



Shaft	O.D.	Kit Dimensions			Type/ Illus.	Seal No.	Seal Dimensions			Bolt Holes	Width	Remarks	
		Bolt Holes	Kit No.	Width			Type/ Illus.	Lip Mat'l	Shaft				O.D.
1.500	2.378	1.500	—	5202	#	•7692S	79	S	1.500	2.376	—	1.458	Contains• RP 605 Bushing (Seal & Bushing Kit)
1.500	2.570	.550	—	5071	200	•200861%	200E	S	1.500	2.482	—	.290	Contains• JV933 Wear Sleeve
1.502	2.381	.940	—	5200	#	•9613S	71	S	1.500	2.381	—	.470	Contains• RP 356 Bushing (Seal & Bushing Kit)
1.562	2.506	.500	—	5331	45	•450185	45	S	1.562	2.506	—	.500	Contains• G199 Gasket
1.566	2.515	1.370	—	5207	#	•8935S&	79	S	1.558	2.254	—	1.520	Contains• RP 553 Bushing (Seal & Bushing Kit)
1.688	2.687	1.240	—	5205	41	•7038SA	41	S	1.687	2.506	—	.582	Contains RP 717 Bushing (Seal & Bushing Kit)
1.688	2.850	2.120	—	5206	#	•7300S	79	N	1.685	2.506	—	1.250	Contains• RP 546 Bushing (Seal & Bushing Kit)
1.689	2.850	2.120	—	5203	#	•7300S	79	N	1.685	2.506	—	1.250	Contains• RP 661 Bushing (Seal & Bushing Kit)
1.750	3.376	.667	—	5302	39	•8398	39	S	1.937	3.376	—	.667	Contains• K259 Wiper
1.763	2.416	.563	—	5000	35	—	—	—	—	—	—	—	—
1.766	3.005	.875	—	5364	45	•451139	45	S	1.875	3.005	—	.375	Contains• JX825 Wear Sleeve
1.812	2.879	.718	—	5531	41	•410295	41	S	1.937	2.879	—	.468	Contains• JV1464 Wear Sleeve
1.875	2.565	.563	—	5001	35	—	—	—	—	—	—	—	—
1.875	2.627	.843	—	5599	47	•470455	47	S	1.937	2.627	—	.500	Contains• J990 Wear Sleeve
1.875	2.690	.625	—	5388	45	450360	45	S	2.000	2.690	—	.500	Contains• J1107 Wear Sleeve
1.875	2.762	.500	—	5336	41	•410283	41	S	1.875	2.762	—	.500	Contains• G736 Gasket
1.875	2.808	.433	—	5699	#	4310	285	S	1.875	2.808	—	.433	Contains• AS232 'O' Ring
1.875	3.130	.625	—	5361	45	•450310N	45	N	2.000	3.130	—	.500	Contains• J1107 Wear Sleeve
1.875	3.150	.315	—	5697	#	4051	#	S	1.875	2.907	—	.315	Contains• AS232 'O' Ring
1.875	4.812	.312	12	5594	#	•7105S	#	S	1.875	4.812	12	.312	Contains (2) • G196 Gasket & (2) • G456 Gasket
1.880	2.414	.250	—	5458	35	•6910S	35	S	1.880	2.414	—	.250	Contains• 610101 'O' Ring
1.887	1.998	1.000	—	5208	#	•9449	74	S	1.890	2.704	—	.582	Contains RP775 Bushing (Seal & Bushing Kit)
1.915	2.548	.250	—	5499	#	•7020	#	S	1.915	2.548	—	.250	Contains• 610105 'O' Ring
1.915	2.548	.250	—	5573	#	•7020	#	S	1.915	2.548	—	.250	Contains• 610145 'O' Ring
2.000	3.376	.625	—	5161	41	•410972	41	S	2.125	3.376	—	.468	Contains• J1109 Wear Sleeve &• JV1837 Wear Sleeve
2.000	3.376	.625	—	5188	41	•410972N	41	N	2.125	3.376	—	.468	Contains• J1109 Wear Sleeve &• JV1837 Wear Sleeve
2.000	4.562	.562	7	5329	#	6465B++	#	F	2.000	4.562	7	.562	Contains (2) G33 Gasket
2.000	4.562	.562	7	5330	#	•6469	#	F	2.000	4.562	7	.562	Contains (2) • G34 Gasket
2.000	5.880	.448	8	5487	#	—	—	—	—	—	—	—	Contains (2) • G221 Gasket &• K251 Wiper
2.000	5.880	.458	8	*5172	50	•6959	#	S	2.375	5.880	8	.331	Contains• K251 Wiper &• G895A Gasket
2.010	2.965	.318	—	5695	#	•SK1++	#	S	2.030	2.601	—	.295	Contains• SK3 Wear Sleeve (Kit)
2.047	2.964	.315	—	5696	35	•SK2++	#	S	2.010	2.876	—	.318	—
						•1993	47	S	2.205	2.885	—	.492	(Kit)
						•4898	66	S	2.047	2.603	—	.295	—
						722110	—	—	—	—	—	—	—
2.120	3.505	.750	—	5521	41	•415093	41	S	2.250	3.505	—	.500	Contains• JV1456 Wear Sleeve
2.121	3.350	.500	—	5397	#	•9434%	46	S	2.121	3.296	—	.460	—
						•482435	48	S	2.172	3.350	—	.500	—
2.125	3.072	.433	—	5604	A	•3948	#	S	2.201	2.741	—	.197	Contains• JV2019 Wear Sleeve
2.129	2.766	.250	—	5488	48	•6957	48	N	2.129	2.766	—	.250	Contains• 610123 'O' Ring
2.129	2.766	.250	—	5589	48	•6957	48	N	2.129	2.766	—	.250	Contains• 666151 'O' Ring
2.187	3.194	.437	—	5332	45	450354	45	S	2.187	3.194	—	.437	Contains• G25 Gasket
2.250	3.256	.625	—	5160	41	•412038	41	S	2.375	3.256	—	.437	Contains• J1113 Wear Sleeve &• JV1836 Wear Sleeve
2.250	3.256	.625	—	5189	41	•412038N	41	N	2.375	3.256	—	.437	Contains• J1113 Wear Sleeve &• JV1836 Wear Sleeve
2.340	3.355	.650	—	5666	#	•3501V	69	V	2.420	3.355	—	.375	Contains• JX1966 Wear Sleeve
2.375	3.433	1.000	—	5602	47	•473274N	47	N	2.500	3.433	—	.375	Contains• JV1802 Wear Sleeve
2.375	4.943	1.000	—	5603	47	•3136N	47	N	2.500	4.943	—	.500	Contains• JV1802 Wear Sleeve
2.377	3.505	.937	—	5066	48	•3894V	48	V	2.500	3.505	—	.500	Contains• JX1920 Wear Sleeve Seal & Sleeve
2.420	3.558	.336	—	5698	#	4185	#	S	2.420	3.558	—	.336	Contains• AS043 'O' Ring
2.430	3.031	.380	—	5567	#	—	—	—	—	—	—	—	—
2.432	3.756	.750	—	*5520	41	•415244	41	S	2.562	3.756	—	.500	Contains• JV1455 Wear Sleeve
2.496	3.758	.625	—	5045	200	•200851%	200E	S	2.496	3.772	—	.315	Contains• JV1582 Wear Sleeve
2.500	6.125	.435	8	5401	50	•7512S	51	S	2.500	6.125	8	.400	Contains (2) • G41 Gasket &• G43 Gasket &• JV1304 Wear Sleeve
2.531	6.125	.500	—	5384	#	•7154S	#	S	2.531	6.125	—	.500	Contains• G41 Gasket
2.562	8.250	1.003	8	5406	51	•6481N	—	—	—	—	—	—	Contains• G40 Gasket &• K282 Wiper
2.625	3.480	.380	—	5072	#	—	—	—	—	—	—	—	—
2.625	3.755	.625	—	5147	200	•200919%	200E	S	2.625	3.960	—	.320	Contains• JV1517 Wear Sleeve
2.750	3.881	1.000	—	5584	41	•415479N	41	N	3.000	3.881	—	.468	Contains• K198 Wiper
2.812	4.504	1.000	—	5399	41	•415356	41	S	2.937	4.504	—	.468	Contains• JV1427 Wear Sleeve
2.835	3.425	.230	—	5163	#	—	—	—	—	—	—	—	—

Designed For A Specific Application - Not Recommended For General Use ◀ Hydrodynamic Lip Design-CCW ▶ Hydrodynamic Lip Design-Bidirectional
 ++ Not Sold Separately % External Bore & Flanged O.D. * Call 1-800-480-1212 For Price and Delivery • Sold Separately

Kit Dimensions				Seal Dimensions								Remarks
Shaft	O.D.	Width	Bolt Holes Kit No.	Type/ Illus.	Seal No.	Type/ Illus.	Lip Mat'l	Shaft	O.D.	Bolt Holes	Width	
2.860	6.562	.571	12	5403	50	•6479	# S	2.860	6.460	12	.520	Contains• J493 Wear Sleeve
2.875	3.756	.625	—	5601	47	•476023N	47 N	3.000	3.756	—	.375	Contains• JV1120 Wear Sleeve
2.988	3.740	1.165	—	5290	#	—	—	—	—	—	—	—
2.991	3.637	.385	—	5273	FW-H	•100202T◀	FW-H T	2.991	3.637	—	.385	(Teflon®)
3.000	4.008	.625	—	5629	45	•457034	45 V	3.125	4.008	—	.500	Contains• J1121 Wear Sleeve
3.000	4.008	.687	—	5657	45	•457034	45 V	3.125	4.008	—	.500	Contains• JX1747 Wear Sleeve
3.000	8.250	.531	15	5452	50	6764S	# S	3.125	8.250	15	.500	Contains• G48 Gasket &• G167 Gasket &• J495 Wear Sleeve
3.010	8.150	.925	8	5494	#	•6897	# S	3.125	8.250	8	.925	Contains (2) • G40 Gasket &• K156 Wiper
3.010	8.250	.571	10	5015	#	•8369S	# S	3.125	—	—	.571	Contains• G48 Gasket &• JV495 Wear Sleeve & (2) • G523 Gasket
3.010	8.250	.571	10	5313	#	•8369S	# S	3.125	—	—	.571	Contains• K282 Wiper & (2) • G523 Gasket
3.110	5.750	.375	8	5079	51	•7896S	51 S	3.110	5.750	8	.375	—
3.112	4.633	.920	—	5100	#	•9583◀➔	# S	3.250	4.633	—	.706	Contains• JV1508 Wear Sleeve
3.119	4.130	.750	—	5509	25	•255566H	25 H	3.250	4.130	—	.500	Contains• J1401 Wear Sleeve
3.119	4.756	.875	—	5518	41	—	—	—	—	—	—	—
3.124	8.250	.518	8	5408	50	•6477S	# S	3.226	8.250	8	.518	Contains (2) • G40 Gasket &• G42 Gasket &• J873 Wear Sleeve
3.125	4.130	.625	—	5120	41	•415566N	41 N	3.250	4.130	—	.562	Contains• J1122 Wear Sleeve
3.125	4.130	1.000	—	5578	48	•485500N	48 N	3.298	4.130	—	.562	Contains• K179 Wiper
3.125	7.500	.625	12	5405	50	•6480	# S	3.125	7.500	12	.531	Contains• G49 Gasket &• K282 Wiper
3.125	8.125	.571	7	5410	50	•6505S	# S	3.125	8.125	7	.571	Contains• G48 Gasket & (2) • G54 Gasket &• JV495 Wear Sleeve
3.125	8.250	.571	8	5185	51	—	—	—	—	—	—	—
3.250	4.008	.866	—	5609	5S	—	—	—	—	—	—	—
3.250	4.254	.625	—	5373	A	•416294N	41 N	3.375	4.254	—	.500	Contains• J1123 Wear Sleeve
3.250	4.254	.625	—	5382	41	•415613	41 S	3.375	4.254	—	.625	Contains• J1123 Wear Sleeve
3.250	4.254	.750	—	5169	47	•476028	47 S	3.375	4.254	—	.468	Contains• JV1875 Wear Sleeve
3.250	4.572	.750	—	5593	200	•200870%	200E S	3.249	4.488	—	.318	Contains• JV980 Wear Sleeve
3.250	5.004	.625	—	5381	41	•415025	41 S	3.375	5.004	—	.468	Contains• J1123 Wear Sleeve
3.375	4.380	.812	—	5588	39	•8130%	# S	3.375	4.380	—	.730	Contains• JV976 Wear Sleeve
3.438	4.012	.410	—	5095	#	—	—	—	—	—	—	(Rope Type)
3.438	4.313	.188	—	5117	#	—	—	—	—	—	—	(Split Seal)
3.465	4.266	.437	—	5287	FW-H	•100239T◀	FW-H T	3.465	4.266	—	.437	Contains 732079 Gasket &• 733419 Gasket & 734280 Gasket (Teflon®)
3.500	5.256	.718	—	*5551	41	•416335	41 S	3.625	5.256	—	.468	Contains• JV1494 Wear Sleeve
3.500	6.625	.531	—	5327	#	•6245S	# S	3.500	6.625	12	.531	Contains (2) • G35 Gasket
3.562	4.630	.700	—	5347	#	•8480	# S	3.557	4.530	—	.320	Contains• JV1170 Wear Sleeve
3.562	5.125	.875	—	5649	#	•9584&	74 S	3.562	4.761	—	.550	Contains• JV1509 Wear Sleeve
3.562	5.256	.468	—	5532	41	•416670	41 S	3.687	5.256	—	.468	Contains• JV1469 Wear Sleeve
3.583	4.375	.394	—	5279	FW-H	•100052T◀	FW-H T	3.583	4.375	—	.394	Contains 731414 Gasket (Teflon®)
3.625	4.256	.390	—	5277	FW-H	•100204T◀	FW-H T	3.625	4.256	—	.390	(Teflon®)
3.625	4.756	.875	—	5167	47	•475379	47 S	3.750	4.756	—	.500	Contains• JV1874 Wear Sleeve
3.625	4.879	.585	—	5453	48	•485497	48 S	3.625	4.879	—	.585	Contains• 633013 'O' Ring Kit
3.740	4.540	.492	—	5274	FW-H	•100203T◀	FW-H T	3.740	4.540	—	.492	Contains 733215 Gasket (Teflon®)
3.750	4.506	.362	—	5278	FW-H	•100205T◀	FW-H T	3.750	4.506	—	.362	(Teflon®)
3.750	4.756	.625	—	5084	#	—	—	—	—	—	—	—
3.865	6.102	.975	—	5667	#	•4269	74 S	4.000	5.700	—	.850	Contains• J2058 Wear Sleeve
3.868	5.506	.921	—	5475	25	•6864S	45 S	4.050	5.506	—	.671	Contains• J718 Wear Sleeve
3.930	5.381	.875	—	5028	#	•9586	# S	4.062	5.378	—	.627	Contains• JV1511A Wear Sleeve
3.937	5.506	.859	—	5465	45	•455037	45 S	4.062	5.506	—	.562	Contains• JV1362 Wear Sleeve
3.937	5.506	.859	—	5563	25	•6864S	45 S	4.050	5.506	—	.671	Contains• JV1362 Wear Sleeve
3.937	5.509	.597	—	5089	#	•2155◀➔	# S	4.062	5.509	—	.597	Contains• JV1511 Wear Sleeve
3.937	5.678	.875	—	5076	#	•9586	# S	4.062	5.378	—	.627	Contains• JV1511 Wear Sleeve
3.994	5.004	.718	—	5526	41	•415134	41 S	4.125	5.004	—	.468	Contains• JV1461 Wear Sleeve
3.994	5.005	.625	—	5065	45	•455134H	45 H	4.125	5.005	—	.468	Contains• J1129 Wear Sleeve
4.000	5.004	.625	—	5376	41	•415134N	41 N	4.125	5.004	—	.468	Contains• J1129 Wear Sleeve
4.000	5.004	.937	—	5581	#	•7390%	# S	4.000	4.906	—	.821	Contains• JV943 Wear Sleeve
4.062	5.506	.875	—	5170	41	•415039	41 S	4.187	5.506	—	.562	Contains• JV1473 Wear Sleeve
4.062	6.000	.875	—	5537	41	•416673	41 S	4.187	6.007	—	.625	Contains• JV1473 Wear Sleeve
4.375	6.259	.843	—	5077	#	•9587&	# S	4.500	6.257	—	.820	Contains• JV1512 Wear Sleeve
4.500	6.259	.862	—	5075	#	•9588&	# S	4.625	6.257	—	.550	Contains• JV1513 Wear Sleeve
4.642	5.756	.750	—	5008	45	•455053	45 S	4.750	5.757	—	.562	Contains• JX847 Wear Sleeve
4.646	5.756	.625	—	5625	48	•485138	48 S	4.750	5.756	—	.500	Contains• JX1386 Wear Sleeve
4.687	5.756	1.562	—	5460	45	•455251H	45 H	4.812	5.756	—	.562	Contains• JV729 Wear Sleeve
4.687	5.756	1.562	—	5461	7S	•75251S	7S S	4.812	5.756	—	.750	Contains• J729 Wear Sleeve
4.687	7.635	.359	—	5575	#	•6701	# S	4.740	7.575	6	.410	Contains JV608 Wear Sleeve
4.743	6.256	.812	—	5527	41	415068	41 S	4.875	6.256	—	.562	Contains• JV1462 Wear Sleeve
4.750	6.006	.750	—	*5010	47	•476621H	47 H	4.875	6.006	—	.562	Contains• J1135 Wear Sleeve
4.750	6.256	.750	—	5377	A	•415068N	41 N	4.875	6.256	—	.562	Contains• J1135 Wear Sleeve
4.759	6.316	1.250	—	5481	47	•6872S	47 S	5.500	6.316	—	1.250	Contains• JV753 Wear Sleeve
4.759	6.505	1.125	—	5483	43	•6873S	43 S	5.500	6.505	—	1.125	Contains• JV753 Wear Sleeve
4.759	7.004	1.250	—	5495	43	•7006S	43 S	5.500	7.004	—	1.250	Contains• JV753 Wear Sleeve
4.812	6.316	1.250	—	5471	47	•6872S	47 S	5.500	6.316	—	1.250	Contains• JV701 Wear Sleeve

Designed For A Specific Application - Not Recommended For General Use ◀ Hydrodynamic Lip Design-CCW ▶ Hydrodynamic Lip Design-Bidirectional % External Bore & Flanged O.D. * Call 1-800-480-1212 For Price and Delivery • Sold Separately

Size Section—Kits

NATIONAL®



Shaft	O.D.	Kit Dimensions		Type/ Illus.	Seal No.	Seal Dimensions		Shaft	O.D.	Bolt		Remarks	
		Width	Holes			Type/ Illus.	Lip Mat'l			Holes	Width		
4.812	6.505	1.125	—	5473	43	•6873S	43	S	5.500	6.505	—	1.125	Contains• JV701 Wear Sleeve
4.812	7.004	1.250	—	5472	43	•7006S	43	S	5.500	7.004	—	1.250	Contains• JV701 Wear Sleeve
4.834	5.756	.710	—	5033	#	•3492	48	T	5.000	5.756	—	.500	Contains• JX2162 Wear Sleeve
4.841	5.756	.750	—	5665	#	•3492V	48	V	5.000	5.756	—	.500	Contains JX1967 Wear Sleeve
4.875	6.006	.715	—	5643	#	•3782	#	H	5.000	6.006	—	.500	Contains• J1606 Wear Sleeve
4.993	6.131	.750	—	5229	41	•416172	41	S	5.125	6.131	—	.562	Contains• J1137 Wear Sleeve
5.000	6.006	.717	—	5722	94	•947090◄	94	T	5.125	6.006	—	.413	Contains• JL2370 Wear Sleeve
5.000	6.131	.875	—	5199	7H	•8971H	7S	H	5.125	6.131	—	.750	Contains• JX1831 Wear Sleeve
5.000	6.131	.875	—	5624	45	•456557	45	V	5.125	6.131	—	.500	Contains• JX1831 Wear Sleeve
5.179	6.513	1.380	—	5424	32	•327984◄	32	T	5.312	6.513	—	.500	Contains• JF2280 Wear Sleeve
5.180	6.507	.750	—	*5082	45	•456986H	45	H	5.312	6.507	—	.625	Contains• J2037 Wear Sleeve
5.187	6.513	1.380	—	5422	32	•327984◄	32	T	5.312	6.513	—	.500	Contains• JF2280 Wear Sleeve
5.500	6.631	.875	—	5146	41	•415487	41	S	5.625	6.631	—	.625	Contains• JV1463 Wear Sleeve
5.625	6.632	1.000	—	5383	45	455447	45	S	5.750	6.632	—	.625	Contains• J1355 Wear Sleeve
5.875	7.008	.875	—	5228	45	•456055V	45	V	6.000	7.008	—	.625	Contains• JX1002 Wear Sleeve
5.991	6.757	.500	—	5039	#	•4165V◄	#	V	6.107	6.757	—	.500	Contains• JV2088 Wear Sleeve
5.998	6.757	.675	—	5645	#	•4165V◄	#	V	6.107	6.757	—	.500	Contains• J2051 Wear Sleeve
6.000	6.757	.750	—	5026	33	•336665H	33	H	6.125	6.757	—	.375	Contains• J1141 Wear Sleeve
6.079	7.336	.600	—	5637	#	•2628	64	H	6.204	7.336	—	.562	Contains• J1895 Wear Sleeve
6.079	7.336	.750	—	5613	#	•2628	64	H	6.204	7.336	—	.562	Contains• K458 Wiper &• J1842 Wear Sleeve
6.204	7.336	.812	—	*5634	#	•3807	64	H	6.328	7.336	—	.500	Contains• J1825 Wear Sleeve
6.500	8.007	.750	—	5436	91	914412◄	91	T	6.625	8.007	—	.750	Contains JG2361 Wear Sleeve
6.500	8.007	.750	—	5441	91	914411◄	91	T	6.625	8.007	—	.750	Contains JL2361 Wear Sleeve
6.500	8.007	1.000	—	5443	91	914413◄	91	T	6.625	8.007	—	1.000	Contains JG2345 Wear Sleeve
6.875	8.382	.750	—	5538	41	•416674	41	S	7.000	8.382	—	.750	Contains• JV1474 Wear Sleeve
6.875	8.633	.825	—	5164	#	•3123	#	S	6.956	8.633	—	.750	
						•3124%	46	S	6.875	8.543	—	.825	
7.369	9.010	.875	—	5276	41	•415551	41	S	7.500	9.010	—	.750	Contains• JV1190 Wear Sleeve
7.908	9.508	.960	—	5615	#	•3624	#	S	8.000	9.508	—	.860	
						•3776S	#	S	7.908	9.535	—	.960	
9.057	10.719	1.000	—	5632	#	•3689	#	V	9.173	10.719	—	.625	Contains• J1984 Wear Sleeve
9.265	11.385	.990	—	5175	45	•455871V	45	V	9.375	11.385	—	.750	Contains• JV829 Wear Sleeve
9.375	11.383	.825	—	5227	#	•3502	45	S	9.477	11.383	—	.750	
						•3503%	#	S	9.375	11.273	—	.825	

Designed For A Specific Application - Not Recommended For General Use ◄ Hydrodynamic Lip Design-CW ◄ Hydrodynamic Lip Design-CCW % External Bore
 * Call 1-800-480-1212 For Price and Delivery • Sold Separately

Shaft	I.D.	Eff. Shaft Dia.	Flanged O.D.	Width	Type Illus.	Part No.	Shaft	I.D.	Eff. Shaft Dia.	Flanged O.D.	Width	Type Illus.	Part No.
-	-	2.515	2.855	.510	#	JV1931	-	2.250	2.404	3.073	.770	#	J1064
5.000	-	5.125	-	.717	19	JL2370	2.288	2.284	2.386	-	.453	15	JV1018
.750	.745	.875	-	.500	19	J1594	2.289	2.284	2.386	-	.453	15	J756
.750	.745	.875	-	.500	19	JV1594	2.312	2.307	2.437	-	.625	19	J1114
.875	.869	.999	-	.562	19	J1267	2.312	2.307	2.437	-	.625	19	JV1114
.875	.869	.999	-	.562	19	JV1267	2.375	2.370	2.500	-	.625	19	J1115
1.041	1.036	1.125	-	.625	19	J1246	2.375	2.370	2.500	-	.625	19	JV1115
1.041	1.036	1.125	-	.625	19	JV1246	2.375	2.370	2.500	-	1.000	19	JV1802
1.062	1.057	1.187	1.437	.640	10	JV1872	2.375	2.370	2.500	-	1.000	19	JX1990
1.125	1.120	1.250	-	.500	19	J1158	2.382	2.377	2.491	-	.937	19	JX1920
1.125	1.120	1.250	-	.500	19	JX1158	2.412	2.400	2.518	-	.435	15	JV1304
1.125	1.120	1.250	-	.625	19	J1432	2.423	2.418	-	2.680	.488	#	J1043
1.125	1.120	1.250	-	.625	19	JV1432	2.437	2.432	2.562	2.750	.750	10	JV1455
1.177	1.172	1.300	-	.422	19	J712	-	2.437	2.570	-	.550	1	JV933
1.250	1.245	1.375	1.562	.750	10	JV1873	2.458	2.453	2.507	-	.700	1	JV970
1.251	1.246	1.375	-	.500	19	JV1252	2.475	2.470	2.625	-	1.125	19	J1876
1.251	1.246	1.375	-	.500	19	JX1252	2.500	2.495	2.625	-	.625	19	J1117
1.343	1.338	1.500	-	.625	19	JV1409	2.500	2.495	2.625	-	.625	19	JV1117
1.365	1.360	1.496	-	.625	19	JV1410	2.500	2.495	2.625	-	.625	19	JX1117
1.375	1.370	1.500	-	.625	19	JV1277	2.500	2.495	2.625	-	.875	19	J1288
1.468	1.463	1.625	-	.625	19	J1493	2.502	2.498	2.627	-	1.000	19	J1780
1.468	1.463	1.625	-	.625	19	JV1493	2.536	2.531	3.128	-	.625	#	J790
1.500	1.495	1.625	-	.415	19	J1807	2.536	2.531	3.128	-	.625	#	JV790
1.500	1.495	1.625	-	.625	19	J1101	2.641	2.562	2.755	-	.690	1	J1086
1.500	1.495	1.625	-	.625	19	JV1101	2.567	2.562	3.115	-	.625	#	JV1161
1.562	1.557	1.687	-	.625	19	J1102	2.625	2.620	2.750	-	.625	19	J1118
1.562	1.557	1.687	-	.625	19	JV1102	2.625	2.620	2.750	-	.625	19	JV1118
1.625	1.620	1.750	-	.535	19	JX1505	2.636	2.630	2.722	-	.500	1	JV1373
1.625	1.620	1.750	-	.625	19	J1103	2.698	2.690	2.774	-	.953	#	JV1216
1.625	1.620	1.750	-	.625	19	JV1103	2.728	2.722	2.806	-	.590	1	JV1215
1.625	1.620	1.750	-	.750	19	J1397	2.750	2.745	2.875	-	.625	19	J1119
1.625	1.620	1.755	-	.625	19	JV1500	2.750	2.745	2.875	-	.625	19	JV1119
1.646	1.641	1.745	-	.625	19	J983	2.750	2.745	2.875	-	.625	19	J1515
1.731	1.726	1.812	3.000	1.000	#	J1211	2.750	2.745	2.875	-	.750	19	JX1576
1.737	1.732	-	3.100	.203	10	J121	2.750	2.745	2.875	-	.875	19	J1289
1.750	1.745	1.875	-	.625	19	J1105	2.763	2.758	2.860	-	.435	15	J493
1.750	1.745	1.875	-	.625	19	JV1105	-	2.799	2.911	3.125	.640	#	JV1673
1.750	1.745	1.875	-	.625	19	JX1105	2.809	2.804	2.894	3.250	.500	8	JV1076
1.766	1.761	1.871	-	.875	19	J825	2.812	2.807	2.937	3.156	1.000	10	JV1427
1.766	1.761	1.871	-	.875	19	JV825	2.812	2.807	2.943	3.156	1.000	10	J1427
1.766	1.761	1.871	-	.875	19	JX825	2.875	2.870	3.000	-	.625	19	J1120
1.843	1.781	1.937	2.521	.782	8	J1049	2.875	2.870	3.000	-	.625	19	JV1120
1.812	1.807	1.937	-	.625	19	J1106	2.875	2.870	3.000	-	.625	19	JX1120
1.812	1.807	1.937	-	.625	19	JV1106	2.890	2.885	3.000	-	1.000	19	J1173
1.812	1.807	1.937	2.125	.718	10	JV1464	2.890	2.885	3.000	-	1.000	19	JV1173
1.852	1.847	1.947	-	.647	19	J1094	2.906	2.900	3.000	3.125	.562	#	* JV1099
1.875	1.870	2.000	-	.562	19	J1063	2.906	2.900	3.000	3.125	.562	#	JV1371
1.875	1.870	2.000	-	.625	19	J1107	2.896	2.965	-	-	.245	#	SK3++
1.875	1.870	2.000	-	.625	19	JV1107	3.000	2.994	3.125	-	.625	19	J1121
1.875	1.870	2.000	-	.625	19	JV1403	3.000	2.994	3.125	-	.625	19	JV1121
1.876	1.871	1.933	-	.843	19	J990	3.000	2.994	3.125	-	.687	19	JX1747
1.980	1.975	2.111	-	.625	19	JV1837	3.000	2.995	3.125	-	1.250	#	J1044
2.000	1.995	2.125	-	.625	19	J1109	3.010	3.005	3.115	-	.435	15	JV495
2.000	1.995	2.125	-	.625	19	JV1109	3.035	3.030	3.125	3.750	1.070	8	J1191
2.000	1.995	2.125	-	.750	19	J1396	3.125	3.118	3.261	3.562	.920	10	JV1508
2.062	2.057	2.187	-	.625	19	J1110	3.125	3.119	3.225	-	.625	19	J1082
2.062	2.057	2.187	-	.625	19	JV1110	3.125	3.119	3.250	-	.625	19	J1122
2.075	2.070	2.125	2.375	.448	10	J1235	3.125	3.119	3.250	-	.625	19	JV1122
2.097	2.093	2.187	2.725	.770	8	J1065	3.125	3.119	3.250	-	.625	19	JX1122
2.125	2.120	2.250	-	.625	19	J1111	3.125	3.119	3.250	-	.750	19	J1401
2.125	2.120	2.250	-	.625	19	JV1111	3.125	3.119	3.250	-	.750	19	JX1401
2.125	2.120	2.250	2.250	.625	19	JX1111	3.130	3.124	3.226	-	.435	15	J873
2.125	2.120	2.250	2.437	.750	10	JV1456	3.146	3.140	3.224	-	.625	1	JV949
2.126	2.121	2.200	2.953	.302	#	JV2019	-	3.187	3.322	-	.970	1	J872
-	2.140	2.331	2.625	.625	-	JV1157	3.250	3.244	3.353	-	.625	19	J1084
2.187	2.182	2.312	-	.625	19	J1112	3.250	3.244	3.375	-	.625	19	J1123
2.187	2.182	2.312	-	.625	19	JV1112	3.250	3.244	3.375	-	.625	19	JV1123
2.236	2.231	2.375	-	.625	19	JV1836	3.250	3.244	3.375	3.625	.750	10	JV1875
2.250	2.245	2.375	-	.625	19	J1113	3.266	3.260	3.313	-	.453	1	JV1236
2.250	2.245	2.375	-	.625	19	JV1113	3.375	3.369	3.500	-	.625	19	J1124

For Illustration and Material Data See Technical Section

Designed For A Specific Application - Not Recommended For General Use ++ Not Sold Separately * Call 1-800-480-1212 For Price and Delivery

Size Section—Wear Sleeves

NATIONAL®



Shaft	I.D.	Eff. Shaft Dia.	Flanged O.D.	Width	Type Illus.	Part No.	Shaft	I.D.	Eff. Shaft Dia.	Flanged O.D.	Width	Type Illus.	Part No.
3.375	3.369	3.500	-	.625	19	JV1124	4.535	4.530	4.625	-	.670	#	J1284
3.375	3.369	3.500	-	1.125	19	J1718	4.541	4.535	4.625	-	.468	1	J1151
3.475	3.375	3.573	-	.800	1	JV1179	4.625	4.618	4.739	-	.340	19	J1155
3.419	3.414	3.510	-	.531	1	JV1091	4.625	4.618	4.750	-	.750	19	J1134
3.437	3.430	3.566	3.875	.875	10	JV1509	4.625	4.618	4.750	-	.750	19	JV1134
-	3.453	4.380	-	.812	2	JV976	4.636	4.631	4.744	-	.750	19	JX847
3.500	3.494	3.625	-	.625	19	J1125	4.646	4.639	4.742	-	.625	19	JX1386
3.500	3.494	3.625	-	.625	19	JV1125	4.687	4.679	4.812	-	1.240	19	JF2282
3.500	3.494	3.625	-	.625	19	JX1125	4.687	4.680	4.740	-	.283	15	*JV608
3.500	3.494	3.625	3.937	.718	10	JV1494	4.687	4.680	4.812	-	1.240	19	JX1867
3.500	3.494	3.625	-	.875	19	J1293	4.687	4.683	4.812	-	1.562	19	J729
3.562	3.556	3.666	3.825	.718	10	J1469	4.687	4.683	4.826	-	1.562	19	JV729
3.562	3.556	3.687	3.825	.718	10	JV1469	4.918	4.687	5.009	-	.906	1	JV1060
4.691	3.562	4.786	-	.840	1	J1025	4.750	4.743	4.853	5.187	.812	10	JV1462
3.625	3.619	3.750	-	.625	19	J1126	4.750	4.743	4.875	-	.750	19	J1135
3.625	3.619	3.750	-	.625	19	JV1126	4.750	4.743	4.875	-	.750	19	JV1135
3.625	3.619	3.750	-	.625	19	JV1368	4.764	4.759	5.510	-	.875	#	JV753
3.625	3.619	3.750	4.000	.875	10	JV1874	4.812	4.812	5.510	-	.875	#	JV701
3.668	3.662	3.798	-	.530	#	JV1936	4.834	4.829	4.994	-	.710	#	JX2162
3.678	3.670	3.755	-	.625	1	JV1517	4.840	4.834	5.000	-	.750	19	*JX1967
3.678	3.670	3.758	-	.625	1	JV1582	4.875	4.868	5.000	-	.715	19	J1606
3.686	3.680	3.767	-	.625	1	JV1166	4.875	4.868	5.000	-	.750	19	J1136
3.721	3.715	3.805	4.200	.458	19	JV1152	4.875	4.868	5.000	-	.750	19	JV1136
3.742	3.732	3.821	-	.500	#	J1750	4.875	4.868	5.000	-	.750	19	JX1136
3.750	3.744	3.875	-	.625	19	J1127	4.875	4.868	5.000	-	1.000	19	JV2038
3.750	3.744	3.875	-	.625	19	JV1127	4.875	4.868	5.000	-	1.250	19	JV1999
-	3.750	3.942	4.250	.500	#	JV1897	4.917	4.910	5.004	-	.937	1	JV943
3.874	3.868	4.035	-	.831	19	JV1074	-	4.937	5.128	5.875	.838	8	J1159
3.874	3.868	4.040	4.500	.921	10	JV1361	5.000	4.993	5.125	-	.750	19	J1137
3.875	3.869	4.000	-	.625	19	J1128	5.000	4.993	5.125	-	.750	19	JV1137
3.875	3.869	4.000	-	.625	19	JV1128	5.000	4.993	5.125	-	.750	19	JX1137
3.875	3.869	4.000	-	.625	19	JX1128	5.000	4.993	5.125	-	.875	19	JX1831
3.930	3.925	4.375	-	.875	#	JV1511A	5.187	5.179	5.312	-	1.380	19	JF2280
3.936	3.930	4.042	4.375	.859	#	JV1362	5.187	5.180	5.312	-	.750	19	J2037
3.937	3.930	4.070	4.375	.875	10	JV1511	5.250	5.243	5.375	-	.750	19	J1138
4.000	3.989	4.125	-	.625	19	J1129	5.250	5.243	5.375	-	.750	19	JV1138
4.000	3.994	4.125	-	.625	19	JV1129	5.375	5.368	5.500	-	.750	19	J1081
4.000	3.994	4.125	4.312	.718	10	JV1461	5.375	5.368	5.500	-	.848	#	J1828
-	4.000	4.630	-	.700	1	JV1976	5.375	5.368	5.500	-	.848	#	JX1828
4.062	4.056	4.187	4.375	.875	10	JV1473	5.392	5.385	5.500	-	.625	19	JV1704
4.090	4.083	-	5.125	.235	#	J1380	5.400	5.393	5.442	-	.760	1	JV1944
4.125	4.119	4.250	-	.625	19	J1130	5.500	5.493	5.625	-	.750	19	J1139
4.125	4.119	4.250	-	.625	19	JV1130	5.500	5.493	5.625	-	.750	19	JV1139
4.275	4.187	4.375	5.125	.898	8	J1172	5.500	5.493	5.625	5.812	.875	10	JV1463
4.275	4.187	4.375	5.125	.898	8	JV1172	5.625	5.618	5.750	-	1.000	19	J1355
4.212	4.207	4.325	-	.984	19	JX2045	5.625	5.618	5.750	-	1.000	19	JV1355
4.250	4.244	4.375	-	.750	19	J1131	5.625	5.618	5.754	-	1.250	19	JV1978
4.250	4.244	4.375	-	.750	19	JV1131	5.637	5.630	5.755	-	1.175	1	J953
4.250	4.244	4.375	-	.750	19	JX1131	5.641	5.634	5.743	-	.750	19	JX845
4.260	4.256	4.387	4.625	.656	10	JV1210	5.750	5.743	5.875	-	.750	19	J1140
4.481	4.312	4.572	-	.750	1	JV980	5.750	5.743	5.875	-	.750	19	JV1140
4.346	4.340	4.906	5.625	.563	#	J1425	5.795	5.785	5.880	-	1.000	1	JV1550
4.375	4.368	4.500	4.812	.843	10	JV1512	5.875	5.868	6.000	-	.875	19	JV1002
4.375	4.369	4.500	-	.750	19	J1132	5.875	5.868	6.000	-	.875	19	JX1002
4.375	4.369	4.500	-	.750	19	JV1132	5.900	5.890	6.000	7.125	1.035	8	J1245
4.375	4.369	4.500	-	.750	19	JX1132	5.991	5.986	6.100	-	.455	#	JV2088
4.465	4.459	4.575	5.125	.230	14	J1405	6.000	5.993	6.125	-	.750	19	J1141
4.474	4.468	4.604	-	.530	19	JV1935	6.000	5.993	6.125	-	.750	19	JV1141
4.500	4.493	4.625	-	.625	19	J1238	6.000	5.993	6.125	6.125	.750	19	JX1141
4.500	4.493	4.625	-	.625	19	JX1238	6.080	6.073	6.204	-	.600	19	J1895
4.500	4.493	4.625	-	.625	19	J1929	6.081	6.073	6.204	-	.750	19	J1842
4.500	4.493	4.625	-	.687	19	JV1363	6.079	6.073	6.204	-	.866	19	J2053
4.500	4.493	4.625	-	.687	19	JX1363	6.081	6.073	6.204	-	1.031	19	J1824
4.500	4.493	4.625	-	.750	19	J1133	6.187	6.180	6.312	-	.848	#	J1838
4.500	4.493	4.625	-	.750	19	JV1133	6.206	6.198	6.328	-	.812	19	J1825
4.500	4.493	4.625	4.937	.912	10	JV1513	6.206	6.198	6.328	-	.812	19	JV1825
4.500	4.494	5.500	-	.875	#	J1197	6.375	6.368	6.500	-	.875	19	J1869
4.502	4.496	4.627	-	1.000	19	J1880	6.375	6.368	6.500	-	.875	19	JV1869
-	4.500	5.130	-	.600	1	JV1077	6.444	6.437	6.526	-	.550	1	JV1019
-	4.500	5.130	-	.700	1	JV1977	6.500	6.492	6.625	-	.625	19	*JL2361

For Illustration and Material Data See Technical Section

Designed For A Specific Application - Not Recommended For General Use * Call 1-800-480-1212 For Price and Delivery

Shaft	I.D.	Eff. Shaft Dia.	Flanged O.D.	Width	Type Illus.	Part No.	Shaft	I.D.	Eff. Shaft Dia.	Flanged O.D.	Width	Type Illus.	Part No.
6.500	6.492	6.625	-	.750	19	* JG2361							
6.500	6.492	6.625	-	.875	19	* JG2345							
6.575	6.515	6.687	7.531	1.040	8	J1059							
6.875	6.867	7.000	-	.750	19	J1278							
6.875	6.867	7.000	-	.750	19	JV1278							
6.875	6.867	7.000	7.187	1.000	10	JV1474							
6.892	6.884	6.993	-	.937	19	JX846							
7.117	7.109	8.356	8.453	1.684	#	J892							
7.221	7.214	-	7.767	.491	#	J893							
7.375	7.367	7.500	-	.875	19	JV1190							
7.375	7.367	7.500	-	.875	19	JX1190							
-	7.500	7.881	8.562	.781	#	JV1378							
7.625	7.617	7.750	-	1.125	19	JV1759							
7.750	7.742	7.875	-	1.000	19	JV1760							
7.875	7.867	8.011	-	.750	19	JV1669							
8.125	8.117	8.250	-	1.470	19	JV1850							
-	8.125	8.250	9.500	.875	8	J1196							
-	8.125	8.250	9.375	1.085	#	J1629							
8.525	8.517	8.625	10.550	1.105	8	J1087							
9.058	9.048	9.173	-	1.000	19	J1984							
9.265	9.256	9.365	-	.990	19	JV829							
9.265	9.256	9.365	-	.990	19	JX829							
9.265	9.256	9.365	-	.990	19	JXS829							
10.312	10.303	10.479	-	1.125	19	JV1808							
10.915	10.906	-	11.975	.815	10	J930							
12.345	11.260	12.400	-	.590	1	J986							

SIZE SECTION

For Illustration and Material Data See Technical Section
 # Designed For A Specific Application - Not Recommended For General Use * Call 1-800-480-1212 For Price and Delivery

Size Section—Redi-Sleeves

NATIONAL®



Shaft Range		Part No.	Width on Shaft	Overall Width	Flanged O.D.	Installation Depth
Minimum	Maximum					
.469	.475	99049	.236	.331	.787	.472
.498	.502	99050	.250	.344	.610	2.008
.560	.566	99056	.250	.391	.750	1.831
.589	.593	99059	.197	.354	.750	.425
.623	.627	99062	.313	.406	.813	2.000
.626	.630	99058	.313	.438	.718	2.000
.667	.671	99068	.315	.433	1.063	2.008
.682	.686	99060	.313	.438	.900	2.000
.704	.709	99082	.315	.433	1.063	1.811
.748	.752	99076	.313	.438	.938	2.000
.748	.752	99075	.375	.500	.900	2.000
.759	.761	99081	.313	.438	.938	2.000
.780	.784	99080	.313	.438	.935	2.000
.785	.789	99078	.313	.433	.999	2.000
.857	.861	99086	.250	.375	1.155	2.000
.861	.866	99085	.315	.472	1.058	1.813
.873	.877	99087	.313	.438	1.093	2.000
.908	.912	99091	.313	.438	1.218	1.847
.966	.970	99094	.313	.438	1.130	2.000
.966	.970	99096	.625	.719	1.130	2.000
.982	.986	99098	.313	.433	1.378	2.000
.998	1.002	99101	.313	.438	1.219	2.000
1.019	1.024	99103	.313	.472	1.312	1.813
1.060	1.064	99106	.313	.438	1.320	2.812
1.087	1.091	99108	.313	.438	1.406	.625
1.100	1.104	99111	.375	.500	1.375	2.813
1.123	1.127	99112	.313	.438	1.575	.688
1.154	1.158	99120	.375	.500	1.350	.688
1.173	1.178	99122	.313	.438	1.575	.688
1.179	1.184	99114	.315	.433	1.400	.688
1.185	1.190	99118	.313	.438	1.400	.875
1.216	1.222	99123	.315	.438	1.575	.688
1.237	1.243	99141	.315	.438	1.540	.688
1.247	1.253	99125	.313	.438	1.500	.688
1.257	1.263	99128	.315	.437	1.496	.709
1.308	1.314	99129	.250	.375	1.600	.813
1.310	1.316	99131	.500	.625	1.594	.813
1.336	1.342	99134	.500	.625	1.638	.813
1.371	1.377	99133	.313	.438	1.638	.813
1.371	1.377	99138	.500	.625	1.638	.813
1.375	1.381	99139	.512	.630	1.638	.812
1.412	1.417	99146	.518	.669	1.689	.984
1.432	1.438	99143	.563	.688	1.781	1.000
1.435	1.441	99144	.375	.500	1.781	1.016
1.453	1.460	99145	.375	.500	1.781	.812
1.490	1.496	99147	.512	.669	1.780	.984
1.497	1.503	99150	.375	.500	1.781	1.016
1.497	1.503	99149	.563	.688	1.781	1.000
1.520	1.526	99152	.438	.563	1.859	1.016
1.549	1.555	99155	.438	.563	1.859	1.000
1.559	1.565	99156	.563	.688	1.859	1.000
1.572	1.578	99157	.512	.630	1.850	1.023
1.602	1.608	99160	.500	.641	1.938	1.000
1.622	1.628	99161	.313	.438	1.875	1.016
1.623	1.628	99162	.563	.688	1.875	.813
1.647	1.654	99166	.445	.571	2.087	.827
1.647	1.654	99169	.563	.688	2.087	.827
1.684	1.690	99168	.563	.688	1.906	.875
1.685	1.691	99167	.313	.438	1.906	.875
1.715	1.721	99171	.563	.688	2.031	.813
1.736	1.742	99170	.375	.500	2.063	.813
1.747	1.753	99172	.375	.500	2.055	.813
1.747	1.753	99180	.531	.625	2.063	.875
1.747	1.753	99174	.563	.688	2.063	.813
1.747	1.753	99175	.750	.875	2.063	.813
1.761	1.767	88176	.563	.688	2.063	.813
1.761	1.767	99176	.563	.688	2.063	.813
1.769	1.775	99177	.551	.669	2.087	.812
1.778	1.784	88179	.675	.800	2.125	1.000
1.778	1.784	99179	.675	.800	2.125	1.062

Shaft Range		Part No.	Width on Shaft	Overall Width	Flanged O.D.	Installation Depth
Minimum	Maximum					
1.809	1.815	99181	.563	.688	2.156	1.000
1.857	1.863	99185	.563	.688	2.156	1.000
1.866	1.872	88186	.889	1.025	2.187	1.000
1.866	1.872	99186	.889	1.025	2.187	1.000
1.872	1.878	99190	.175	.295	2.203	.744
1.872	1.878	99188	.295	.415	2.203	.744
1.872	1.878	99184	.375	.516	2.203	1.050
1.872	1.878	88187	.563	.688	2.203	1.000
1.872	1.878	99187	.563	.688	2.203	1.000
1.887	1.893	99189	.551	.668	2.205	.984
1.909	1.915	99192	.375	.500	2.219	1.000
1.934	1.940	99193	.563	.688	2.219	1.000
1.965	1.971	99196	.551	.688	2.244	.984
1.977	1.983	99198	.563	.704	2.313	1.050
1.997	2.003	88199	.563	.688	2.406	1.000
1.997	2.003	99199	.563	.688	2.406	1.000
1.997	2.003	99200	.875	1.000	2.406	1.000
2.041	2.047	99204	.500	.625	2.469	1.000
2.057	2.063	99205	.781	.938	2.469	1.375
2.123	2.128	99210	.500	.750	2.422	1.281
2.124	2.130	99212	.781	.938	2.422	1.375
2.162	2.168	99215	.787	.905	2.441	1.250
2.186	2.192	88218	.781	.938	2.500	1.313
2.186	2.192	99218	.781	.938	2.500	1.313
2.197	2.205	99220	.500	.625	2.500	1.250
2.227	2.233	99229	.500	.625	2.531	1.313
2.227	2.233	99230	.781	.906	2.531	1.250
2.237	2.243	99226	.764	.900	2.562	1.250
2.249	2.255	99227	.313	.438	2.531	1.313
2.249	2.255	88225	.781	.938	2.531	1.313
2.249	2.255	99225	.781	.938	2.531	1.313
2.309	2.315	99231	.781	.938	2.688	1.600
2.327	2.333	88233	.750	.875	2.750	1.610
2.327	2.333	99233	.750	.875	2.750	1.610
2.359	2.365	99241	.370	.449	2.783	1.472
2.359	2.365	99235	.787	.905	2.785	1.375
2.369	2.375	99236	.781	.938	2.750	1.375
2.372	2.378	99238	.594	.750	2.750	1.375
2.374	2.380	99240	.526	.683	2.750	1.375
2.374	2.380	99237	.781	.938	2.734	1.375
2.434	2.440	99243	.781	.938	2.828	1.375
2.435	2.441	99242	.500	.626	2.827	1.417
2.489	2.495	99249	.781	.938	2.875	1.393
2.497	2.503	99253	.555	.650	2.820	.890
2.500	2.506	99248	.500	.656	2.828	1.375
2.500	2.506	99250	.781	.938	2.828	1.375
2.510	2.516	99251	.781	.906	2.828	1.438
2.556	2.562	99254	.787	.905	2.850	1.378
2.560	2.566	99256	.781	.938	2.891	1.375
2.595	2.602	99259	.781	.938	2.990	1.250
2.618	2.624	99261	.781	.938	3.047	1.375
2.621	2.627	99264	.781	.906	3.047	1.375
2.622	2.628	99260	.500	.625	3.047	1.375
2.625	2.631	99262	.781	.938	3.047	1.375
2.727	2.733	99268	.781	.906	3.125	1.313
2.740	2.746	99273	.781	.938	3.065	1.250
2.745	2.751	99274	.781	.938	3.125	1.250
2.747	2.753	99270	.781	.906	3.125	1.250
2.747	2.753	99267	1.438	1.625	3.075	1.625
2.750	2.756	99272	.406	.563	3.125	1.250
2.750	2.756	99275	.781	.938	3.125	1.250
2.750	2.756	99269	1.125	1.250	3.125	1.250
2.753	2.759	99276	.787	.945	3.125	1.250
2.809	2.815	99281	.594	.688	3.188	1.250
2.838	2.844	99282	.500	.656	3.225	1.250
2.866	2.872	99286	.781	.938	3.188	1.250
2.873	2.879	99287	.781	.938	3.219	1.250
2.937	2.943	99290	.500	.641	3.344	1.331
2.937	2.943	99293	.781	.938	3.344	1.250
2.950	2.956	99289	.594	.689	3.272	1.102

SIZE SECTION

Size Section—Redi-Sleeves

NATIONAL®



Shaft Range		Part No.	Width on Shaft	Overall Width	Flanged O.D.	Installation Depth
Minimum	Maximum					
2.950	2.956	99294	.866	1.024	3.305	1.312
2.972	2.976	99292	.813	—	—	—
2.990	2.996	99291	.484	.625	3.359	1.331
2.990	2.996	99298	.563	.688	3.359	1.375
2.990	2.996	99299	.813	1.000	3.359	1.250
2.997	3.003	99296	.813	.938	3.240	1.375
3.000	3.006	99303	.625	.813	3.345	1.063
3.000	3.006	99300	.813	1.000	3.453	1.250
3.008	3.014	99301	.500	.625	3.355	2.000
3.120	3.126	99311	.688	.813	3.531	2.000
3.120	3.126	99312	.813	1.000	3.531	2.000
3.124	3.132	99307	.551	.709	3.525	2.031
3.142	3.150	99313	.750	.886	3.540	1.375
3.146	3.153	99317	.433	.590	3.543	1.378
3.146	3.153	99315	.827	.945	3.543	1.375
3.225	3.231	99328	.661	.850	3.587	1.732
3.247	3.253	99322	.813	1.000	3.594	1.375
3.248	3.254	99323	.600	.725	3.585	1.375
3.250	3.256	99324	.595	.719	3.594	1.375
3.250	3.256	99326	.688	.875	3.585	1.250
3.250	3.256	99325	.813	1.000	3.594	1.375
3.307	3.313	99331	.813	1.000	3.688	1.375
3.337	3.346	99333	.827	.984	3.700	1.378
3.338	3.346	99334	.827	.984	3.697	1.433
3.373	3.379	99338	.375	.500	3.688	1.410
3.373	3.379	99337	.813	1.000	3.688	1.375
3.435	3.441	99339	.781	.906	3.844	1.406
3.477	3.483	99340	.781	.906	3.835	1.406
3.500	3.506	99347	.315	.500	3.827	1.339
3.500	3.506	99350	.813	1.000	3.844	1.375
3.501	3.507	99349	.626	.811	3.842	1.339
3.540	3.546	99353	.528	.665	4.000	1.732
3.540	3.546	99351	.710	.906	4.000	1.813
3.540	3.546	99354	.906	1.102	4.000	1.750
3.560	3.566	99356	.813	1.000	3.900	1.750
3.618	3.624	99360	.811	1.000	4.031	1.732
3.623	3.629	99363	.500	.625	4.025	1.750
3.623	3.629	99362	.813	1.000	4.031	1.750
3.684	3.690	99368	.313	.438	3.830	.875
3.685	3.691	99359	.813	.938	4.025	1.750
3.685	3.691	99365	.813	.938	4.025	1.750
3.737	3.743	99369	.827	.945	4.025	1.750
3.740	3.746	99374	.344	.500	4.031	1.750
3.740	3.746	99364	.469	.594	4.035	1.750
3.746	3.752	99376	.563	.688	4.025	1.750
3.750	3.756	99367	.344	.500	4.031	1.750
3.750	3.756	99372	.688	.875	4.031	1.875
3.873	3.879	99387	.813	1.000	4.219	1.875
3.935	3.941	99393	.813	1.000	4.313	1.340
3.998	4.006	99401	.500	.625	4.375	2.066
3.998	4.006	99395	.600	.725	—	2.050
3.998	4.006	99400	.650	.775	4.375	1.375
3.998	4.006	99399	.813	1.000	4.375	1.250
4.122	4.130	99412	.813	1.000	4.420	1.375
4.130	4.138	99413	.787	.906	4.470	1.378
4.183	4.191	99418	.813	1.000	4.500	1.375
4.226	4.234	99423	.781	.906	4.610	1.438
4.248	4.256	99424	.813	1.000	4.813	1.375
4.327	4.335	99435	.509	.650	4.921	1.250
4.370	4.378	99437	.813	1.000	4.750	1.650
4.434	4.442	99439	1.000	1.142	4.813	1.313
4.496	4.504	99450	.813	1.000	5.000	1.375
4.523	4.531	99452	.813	.938	5.000	1.250
4.621	4.629	99465	.438	.625	5.000	1.375
4.621	4.629	99463	1.000	1.250	5.063	1.375
4.685	4.693	99468	.812	1.000	5.062	1.375
4.720	4.728	99473	.787	.984	5.110	1.260
4.746	4.754	99475	.500	.750	5.250	1.500
4.801	4.807	99472	.787	.945	5.177	1.260
4.871	4.879	99487	.625	.752	5.252	1.457

Shaft Range		Part No.	Width on Shaft	Overall Width	Flanged O.D.	Installation Depth
Minimum	Maximum					
4.917	4.925	99490	.394	.551	5.402	1.457
4.917	4.925	99492	1.024	1.260	5.400	1.438
4.998	5.006	99498	.688	.875	5.400	1.438
4.998	5.006	99499	.813	1.000	5.406	1.500
5.110	5.118	99494	.750	.938	5.493	1.181
5.117	5.125	99491	.866	.996	5.492	1.299
5.246	5.254	99525	.813	1.000	5.560	1.250
5.371	5.379	99537	.813	1.000	5.875	1.250
5.498	5.506	99549	.812	1.000	5.938	1.250
5.508	5.516	99552	.807	1.000	5.945	1.250
5.746	5.754	99575	.813	1.000	6.180	1.750
5.871	5.879	99587	1.000	1.250	6.188	1.313
5.895	5.905	99595	1.024	1.181	6.260	1.338
5.934	5.942	99596	1.000	1.125	6.375	1.875
5.995	6.003	99601	.500	.750	6.360	1.750
5.995	6.003	99599	1.000	1.250	6.375	1.750
6.092	6.102	99606	1.024	1.181	6.500	1.299
6.245	6.255	99625	1.031	1.250	6.625	1.750
6.289	6.299	99630	1.000	1.250	7.000	1.800
6.495	6.505	99650	1.000	1.250	7.000	1.750
6.683	6.693	99640	1.250	1.496	7.188	1.750
6.745	6.755	99675	.813	1.063	7.125	1.750
6.995	7.005	99700	1.000	1.250	7.500	1.750
7.077	7.087	99721	1.300	1.496	7.500	1.752
7.244	7.254	99725	1.250	1.500	7.760	2.175
7.495	7.505	99750	.813	1.000	7.875	1.250
7.745	7.755	99775	1.000	1.313	8.270	1.875
7.869	7.879	99787	1.359	1.500	8.375	1.750
7.933	7.943	99799	1.000	1.250	8.375	1.750
7.995	8.005	99800	1.000	1.250	8.375	1.750

SIZE SECTION

Numerical List Size & Type

NATIONAL®



Part No.	Lip Mat'l	Shaft Size	Hsg. Bore	Seal O.D.	Seal Width	Type/Illus.	Part No.	Lip Mat'l	Shaft Size	Hsg. Bore	Seal O.D.	Seal Width	Type/Illus.
1000 SERIES							1000 SERIES (cont.)						
1012★	S	45.00	62.00	62.30	8.00	35	1172★➔	H	35.00	47.00	47.40	7.00	32
		1.772	2.441	2.453	.315				1.378	1.850	1.866	.276	
1012N★	S	45.00	62.00	62.30	8.00	35	1173★	N	35.00	67.00	67.27	12.00	32
		1.772	2.441	2.453	.315				1.378	2.638	2.648	.472	
1015★	S	18.00	28.00	28.20	6.00	35	1174★	S	38.00	52.00	52.25	8.50	32
		.709	1.102	1.110	.236				1.496	2.047	2.057	.335	
1015N★	S	18.00	28.00	28.20	6.00	35	1175★➔	S	38.00	58.00	58.25	11.00	32
		.709	1.102	1.110	.236				1.496	2.283	2.293	.433	
1019★◄	H	76.00	93.00	93.30	10.00	32	1176★	N	38.00	65.00	65.27	12.00	#
		2.992	3.661	3.673	.394				1.496	2.559	2.570	.472	
1021★◄	V	70.00	87.00	87.40	8.50	32	1177★	N	38.00	74.00	74.27	11.00	32
		2.756	3.425	3.441	.335				1.496	2.913	2.924	.433	
1021V★◄	V	70.00	87.00	87.40	8.50	32	1178★	S	40.00	52.00	52.25	6.00	32
		2.756	3.425	3.441	.335				1.575	2.047	2.057	.236	
1036★➔	S	40.00	76.00	76.25	8.00	40	*1179★	S	40.00	62.00	62.25	10.00	#
		1.575	2.992	3.002	.315				1.575	2.441	2.451	.394	
1037	S	1.125	1.500	1.504	.250	35	1180★	S	41.00	55.00	55.29	7.00	32
1038★➔	N	38.00	59.00	59.30	9.00	32			1.614	2.165	2.177	.276	
		1.496	2.323	2.335	.354		1181★	S	41.00	56.00	56.25	7.00	35
									1.614	2.205	2.215	.276	
1041	S	.500	1.006	1.010	.250	48	1183★	S	43.00	55.00	55.25	8.00	34
1049	S	.750	1.125	1.129	.250	33			1.693	2.165	2.175	.315	
*1070	S	1.250	2.133	2.137	.313	35	*1184★	N	45.00	60.00	60.25	10.00	35
*1077★	S	35.00	52.00	52.13	8.50	33			1.772	2.362	2.372	.394	
		1.378	2.047	2.052	.335		*1185★	S	45.00	62.00	62.30	10.00	32
*1078★	S	40.00	60.00	60.20	10.00	33			1.772	2.441	2.453	.394	
		1.575	2.362	2.370	.394		1187★	S	47.00	68.00	68.27	10.00	32
*1086★	S	35.00	58.00	58.14	11.90	33			1.850	2.677	2.688	.394	
		1.378	2.283	2.289	.469		1188★	S	48.00	62.00	62.25	6.00	34
1097	S	1.375	1.947	1.951	.500	33			1.890	2.441	2.451	.236	
1097N	S	1.375	1.947	1.951	.500	33	*1189★	S	50.00	70.00	70.30	9.50	32
*1107★	S	28.00	40.00	40.31	7.00	33			1.969	2.756	2.768	.374	
		1.102	1.575	1.587	.276		1192	S	1.605	2.374	2.386	.375	32
1108★➔	V	35.00	48.00	48.40	7.00	32	*1193★	S	27.00	41.00	41.10	9.50	#
		1.378	1.890	1.906	.276				1.063	1.614	1.618	.374	
1110	F	1.400	1.969	2.000	.250	#	1195	S	1.562	2.061	2.275	.338	32
1119★➔	V	35.00	54.00	54.30	8.00	32	1196★	S	38.00	52.00	52.25	6.00	47
		1.378	2.126	2.138	.315				1.496	2.047	2.057	.236	
1120★◄	V	38.00	53.00	53.30	8.00	32	*1204★	S	32.00	58.00	58.29	12.70	32
		1.496	2.087	2.098	.315				1.260	2.283	2.295	.500	
1121★◄	V	31.00	46.00	46.28	8.00	32	1205★	S	39.00	52.00	52.30	11.30	47
		1.220	1.811	1.822	.315				1.535	2.047	2.059	.445	
1126★	S	39.00	50.50	50.75	8.50	25	1205N★	S	39.00	52.00	52.10	11.30	47
		1.535	1.988	1.998	.335				1.535	2.047	2.051	.445	
1128★	S	39.00	50.80	51.00	7.50	35	1207★	S	55.00	74.00	74.28	9.20	49
		1.535	2.000	2.008	.295				2.165	2.913	2.924	.362	
1129★	S	30.00	40.00	40.25	7.00	35	1207N★	S	55.00	74.00	74.10	9.20	49
		1.181	1.575	1.585	.276				2.165	2.913	2.917	.362	
1136★◄	N	35.00	76.00	76.30	12.50	30	1208★	S	48.00	72.00	72.31	7.00	32
		1.378	2.992	3.004	.492				1.890	2.835	2.847	.276	
*1140★	N	35.00	68.00	68.23	12.50	32	1209★	S	50.00	65.00	65.33	8.50	35
		1.378	2.677	2.686	.492				1.969	2.559	2.572	.335	
1146★◄	N	40.00	76.00	76.28	12.50	32	1213★	S	40.00	54.00	54.10	5.50	47
		1.575	2.992	3.003	.492				1.575	2.126	2.130	.217	
1147★➔	N	35.00	76.00	76.28	9.00	32	1213N★	S	40.00	54.00	54.10	5.50	47
		1.378	2.992	3.003	.354				1.575	2.126	2.130	.217	
*1162★	S	70.00	90.00	90.40	10.00	35	1214★	S	42.00	54.89	55.00	8.00	47
		2.756	3.543	3.559	.394				1.654	2.161	2.165	.315	
*1163★	S	22.00	40.00	40.18	16.00	#	1214N★	S	42.00	54.89	55.00	8.00	47
		.866	1.575	1.582	.630				1.654	2.161	2.165	.315	
1167★	N	32.00	52.00	52.25	11.00	32	1215★	N	35.00	48.00	48.25	14.00	#
		1.260	2.047	2.057	.433				1.378	1.890	1.900	.551	
1168★	S	33.00	50.00	50.25	12.00	32	1215N★	N	35.00	48.00	48.25	14.00	#
		1.299	1.969	1.978	.472				1.378	1.890	1.900	.551	
*1169★	N	35.00	50.00	50.24	12.00	32	1216★&	N	40.00	64.00	64.00	11.98	74
		1.378	1.969	1.978	.472				1.575	2.520	2.520	.472	
1170★	S	35.00	52.00	52.25	10.00	32	1216N★&	N	40.00	64.00	64.10	12.00	74
		1.378	2.047	2.057	.394				1.575	2.520	2.524	.472	
*1171★	S	35.00	55.00	55.30	11.00	32	1217★&	N	40.00	52.00	52.28	9.00	35
		1.378	2.165	2.177	.433				1.575	2.047	2.058	.354	

For Illustration and Material Data See Technical Section

Designed For A Specific Application - Not Recommended For General Use ➔ Hydrodynamic Lip Design-CW ◄ Hydrodynamic Lip Design-CCW & Flanged O.D.

* Call 1-800-480-1212 For Price and Delivery ★ Metric Seal

Part No.	Lip Mat'l	Shaft Size	Hsg. Bore	Seal O.D.	Seal Width	Type/ Illus.	Part No.	Lip Mat'l	Shaft Size	Hsg. Bore	Seal O.D.	Seal Width	Type/ Illus.
1000 SERIES (cont.)							1000 SERIES (cont.)						
1873	S	1.562	2.320	2.326	.374	35	1974★	S	50.00	67.00	67.27	11.00	97
1883★%	S	52.00	67.00	67.30	7.00	#			1.969	2.638	2.648	.433	
		2.047	2.638	2.650	.276		1975★	S	52.00	63.00	63.23	8.00	32
1884★	S	52.00	68.00	68.28	10.00	32			2.047	2.480	2.489	.315	
		2.047	2.677	2.688	.394		1979★→	N	45.00	75.00	75.10	12.00	47
1906	S	1.763	2.126	2.134	.382	31			1.772	2.953	2.957	.472	
1928★	S	57.00	81.00	81.10	9.00	47	*1980★→	H	35.00	50.00	50.25	10.00	32
		2.244	3.189	3.193	.354				1.378	1.969	1.978	.394	
1932★	S	56.00	68.00	68.28	10.00	49	1981★	S	30.00	45.00	45.23	8.00	35
		2.205	2.677	2.688	.394				1.181	1.772	1.781	.315	
1935★	S	63.00	90.00	90.10	7.00	47	1984★	S	57.00	67.00	67.11	6.00	25
		2.480	3.543	3.554	.276				2.244	2.638	2.642	.236	
1936★	S	49.00	64.00	64.28	12.50	#	1985★	S	60.00	90.00	90.25	22.00	#
		1.929	2.520	2.531	.492				2.362	3.543	3.553	.866	
1937★	S	47.00	64.00	64.28	14.00	#	1986★	S	72.00	88.00	88.25	8.00	48
		1.850	2.520	2.531	.551				2.835	3.465	3.474	.315	
1938★	S	45.00	64.00	64.25	19.00	#	1987★	N	35.00	49.21	49.63	6.00	33
		1.772	2.520	2.530	.748				1.378	1.937	1.954	.236	
1939★	S	45.00	64.00	64.26	13.00	#	1989★	S	28.60	43.00	43.15	6.50	47
		1.772	2.520	2.530	.512				1.126	1.693	1.699	.256	
1940★→	N	35.00	49.60	49.83	11.00	32	1990★→	N	27.00	43.00	43.25	9.00	32
		1.378	1.953	1.962	.433				1.063	1.693	1.703	.354	
1941★	S	50.00	77.50	77.70	9.00	47	1992★	S	45.00	65.00	65.10	5.00	47
		1.969	3.051	3.071	.354				1.772	2.559	2.563	.197	
1943★	S	45.00	72.20	72.34	7.50	44	1993★	S	56.00	73.00	73.28	12.50	47
		1.772	2.843	2.848	.295				2.205	2.874	2.885	.492	
*1944★→	H	42.00	56.00	56.13	7.00	32	1994★	S	48.00	70.00	70.28	10.00	32
		1.654	2.205	2.210	.276				1.890	2.756	2.767	.394	
1945★←	H	82.00	105.00	105.30	13.00	32	*1997★	S	45.00	62.00	62.10	10.16	#
		3.228	4.134	4.146	.512				1.772	2.441	2.445	.400	
*1946★	S	42.00	62.00	62.27	10.00	35	1999	S	1.625	2.251	2.255	.375	48
		1.654	2.441	2.452	.394		PSK-1	See Kit Section					
1948★	S	50.00	68.00	68.28	8.00	35	*SK1++	S	2.030	-	2.601	.295	#
		1.969	2.677	2.688	.315		*SK2++	S	2.010	-	2.876	.318	#
1949	S	1.875	2.441	2.445	.325	48	2000 SERIES						
1950★	S	41.00	53.00	53.25	7.00	41	*2000★	S	42.00	58.00	58.10	10.00	33
		1.614	2.087	2.096	.276				1.654	2.283	2.287	.394	
1951★&	S	45.00	64.00	64.11	11.86	87	2001★←	S	60.00	82.00	82.28	12.00	32
		1.772	2.520	2.524	.467				2.362	3.228	3.239	.472	
1952	S	1.771	3.656	3.656	.282	54	2002★	S	54.00	65.00	65.28	12.50	47
1953★	N	42.00	60.00	60.22	7.04	32			2.126	2.559	2.570	.492	
		1.654	2.362	2.371	.277		2003★	S	36.00	55.00	55.09	6.50	47
1955★	S	52.00	65.00	65.30	9.00	35			1.417	2.165	2.169	.256	
		2.047	2.559	2.571	.354		2003N★	S	36.00	55.00	55.09	6.50	47
1956★	S	48.00	62.00	62.10	24.00	#			1.417	2.165	2.169	.256	
		1.890	2.441	2.445	.945		2004★←	S	14.00	24.00	24.25	12.70	#
1958★	S	55.00	82.00	82.30	10.00	35			.551	.945	.955	.500	
		2.165	3.228	3.240	.472		2007★→	S	35.00	56.00	56.30	9.00	#
1959	S	1.869	2.781	2.789	.354	32			1.378	2.205	2.217	.354	
1960★	S	50.00	70.00	70.23	9.00	47	2007N★→	S	35.00	56.00	56.30	9.00	#
		1.969	2.756	2.765	.354				1.378	2.205	2.217	.354	
1962★&	S	40.00	52.00	52.12	8.50	78	2008★&	S	32.00	54.00	54.20	10.00	#
		1.575	2.047	2.052	.335				1.260	2.126	2.134	.394	
1963★→	N	22.00	40.00	40.34	7.75	35	2009★	N	38.00	63.00	63.12	10.00	#
		.866	1.575	1.588	.305				1.496	2.480	2.485	.394	
1964★	S	57.00	72.00	72.25	8.40	47	2011★→	N	40.00	75.00	75.26	12.00	40
		2.244	2.835	2.844	.331				1.575	2.953	2.963	.472	
1965★	V	36.00	60.00	60.20	8.00	48	2012★→	V	43.00	55.00	55.20	6.00	32
		1.417	2.362	2.370	.315				1.693	2.165	2.173	.236	
1966★→	H	38.00	52.00	52.30	8.00	35	2012V★→	V	43.00	55.00	55.20	6.00	32
		1.496	2.047	2.059	.315				1.693	2.165	2.173	.236	
1969★	S	48.00	63.00	63.09	9.00	47	*2013★	S	45.00	62.00	62.30	12.00	32
		1.890	2.480	2.484	.354				1.772	2.441	2.453	.472	
1970★	S	30.00	42.00	42.27	7.00	35	2016★←	S	30.00	45.00	45.20	15.00	#
		1.181	1.654	1.664	.276				1.181	1.772	1.780	.591	
1971★	S	50.00	64.00	64.10	6.50	47	2025★	V	42.00	60.00	60.42	7.00	32
		1.969	2.520	2.524	.256				1.654	2.362	2.379	.276	
1973★	S	48.00	65.00	65.30	8.00	25	2027★	S	15.00	24.00	24.20	5.00	35
		1.890	2.559	2.571	.315				.591	.945	.953	.197	
							2043	S	1.940	2.762	2.766	.500	47

NUMERICAL SECTION

For Illustration and Material Data See Technical Section

Designed For A Specific Application - Not Recommended For General Use → Hydrodynamic Lip Design-CW ← Hydrodynamic Lip Design-CCW ++ Not Sold Separately
% External Bore & Flanged O.D. * Call 1-800-480-1212 For Price and Delivery ★ Metric Seal

Numerical List Size & Type

NATIONAL®

Part No.	Lip Mat'l	Shaft Size	Hsg. Bore	Seal O.D.	Seal Width	Type/Illus.	Part No.	Lip Mat'l	Shaft Size	Hsg. Bore	Seal O.D.	Seal Width	Type/Illus.
2000 SERIES (cont.)							2000 SERIES (cont.)						
*2054	S	3.187	4.625	4.630	.442	47	*2826	S	1.875	2.873	2.877	.394	#
2055	S	3.468	4.626	4.631	.625	47	*2834	S	2.000	2.623	2.626	.580	#
2064§	S	4.166	5.625	6.800	.210	#	*2854◀	N	1.687	2.500	2.506	1.535	79
2081◀➡	S	2.843	3.939	3.944	.495	41	*2855	S	.748	1.499	1.504	.312	#
*2082◀➡	S	4.166	5.502	5.506	.600	45	*2867V	V	3.753	4.720	4.730	.552	#
*2093H	H	4.000	4.562	4.568	.375	33	*2876&	S	1.558	2.372	2.376	.350	74
*2102	S	1.869	2.518	2.522	.437	#	*2910	S	3.500	4.840	4.848	.897	#
*2108	S	2.500	4.003	4.008	.468	45	2922➡	S	1.552	2.447	2.452	.500	86
*2109	S	3.253	4.499	4.505	.468	41	2942➡	N	1.875	2.560	2.565	.406	47
2146	S	1.687	2.560	2.579	.375	#	2955➡	N	1.709	2.205	2.213	.292	71
*2151H	H	5.500	6.251	6.257	.500	25	3000 SERIES						
*2155◀➡	S	4.062	5.500	5.509	.597	#	3016	S	5.875	8.001	8.007	.750	45
*2175◀	S	1.500	2.377	2.381	.500	47	*3028V➡	V	1.875	2.758	2.762	.425	25
*2177	S	2.598	3.999	4.004	.730	#	3051★➡	H	42.00	55.00	55.12	8.00	33
2194◀	N	1.500	2.372	2.376	.420	88	3051N★➡	H	42.00	55.00	55.12	8.00	33
*2205	S	1.500	2.249	2.254	.280	#	3054	H	5.500	6.625	6.632	.670	41
2207	S	1.815	2.562	2.566	.562	290	*3054V	V	5.500	6.625	6.632	.670	41
2218◀	H	3.750	4.751	4.756	.500	47	*3061H	H	6.312	7.500	7.507	.690	41
2222&	S	2.750	3.773	3.781	.435	286	*3061V	V	6.312	7.500	7.507	.690	41
2260	V	3.125	3.936	3.943	.512	45	*3072V	V	.562	1.124	1.128	.531	49
2261★◀	V	110.00	130.00	130.18	12.70	32	*3074V	V	.625	1.124	1.128	.531	49
		4.331	5.118	5.125	.500		*3075	S	.750	1.250	1.254	.437	282
*2278	V	2.875	3.876	3.881	.468	#	3083➡	H	1.650	2.282	2.336	.768	48
*2279➡	H	2.500	3.500	3.505	.500	47	3087	S	2.048	2.728	2.732	.590	#
2286	S	2.201	3.519	3.523	.590	74	3095➡	S	2.240	3.190	3.194	.450	69
2287	S	.750	1.250	1.254	.280	274	*3098	S	5.500	8.494	8.501	1.062	#
2291	H	3.125	4.125	4.130	.500	41	3100	S	4.750	6.186	6.192	1.250	89
*2297◀	H	6.000	6.750	6.757	.500	25	3103➡	S	2.180	3.190	3.194	.620	69
2297V◀	V	6.000	6.750	6.757	.500	25	3116◀	N	1.375	2.374	2.378	.500	71
2300	S	1.318	2.620	2.625	.875	#	3116N◀	N	1.375	2.374	2.378	.500	71
*2326◀	S	1.500	2.374	2.378	.500	47	*3120N	N	1.500	2.374	2.378	.250	47
*2326N◀	N	1.500	2.374	2.378	.500	47	*3123	S	6.956	8.625	8.633	.750	#
*2363	S	5.500	6.500	6.505	1.125	#	*3124%	S	6.875	8.543	8.543	.825	46
2377	V	3.750	4.501	4.506	.362	35	*3126	S	1.000	2.875	2.879	.468	41
*2439	H	2.125	3.189	3.194	.468	47	3136N◀➡	N	2.500	4.938	4.943	.500	47
2440★➡	N	45.00	60.00	60.25	10.80	69	3143N&	N	3.000	5.500	5.506	.531	74
		1.772	2.362	2.372	.425		*3145	S	1.326	2.226	2.231	.500	#
2443◀	N	1.375	1.952	1.957	.500	25	3173	N	1.937	2.686	2.690	.304	48
2457◀	N	2.125	2.880	2.885	.550	#	3186¶	S	1.875	3.150	3.146	.930	59
2465	S	1.680	2.500	2.506	1.535	79	3195¶	S	1.875	3.150	3.146	.930	59
*2499	S	3.270	3.655	3.660	.500	#	3199	S	1.250	1.955	1.960	.435	48
2503➡	N	1.100	1.572	1.578	.308	48	*3203	S	4.375	5.501	5.506	.562	47
2503N➡	N	1.100	1.572	1.578	.308	48	*3204	S	3.000	4.003	4.008	.468	#
2505	S	4.625	6.186	6.192	1.250	89	3210	S	2.437	3.624	3.628	.375	49
*2505V	V	4.625	6.186	6.192	1.250	89	3214	S	1.365	1.955	1.960	.435	48
2506&	S	1.558	2.372	2.376	1.500	79	3227➡	N	1.748	2.623	2.627	.330	83
*2515V	V	3.000	4.376	4.381	.760	#	*3237◀➡	S	1.399	2.292	2.296	.460	33
*2523	S	2.125	3.125	3.130	.500	41	*3241	N	1.178	1.654	1.659	.276	33
*2551◀	S	1.187	1.713	1.718	.500	25	*3275	S	4.500	5.501	5.506	.562	47
2628	H	6.204	7.328	7.336	.562	64	*3276	S	6.500	7.501	7.508	.812	#
*2643N	N	2.500	3.548	3.553	.546	#	*3278	V	2.375	3.500	3.505	.730	#
2655◀	N	1.375	2.244	2.254	1.197	79	3292	S	5.375	6.875	6.882	1.000	89
2658➡	H	1.609	2.435	2.441	.300	75	*3329	S	1.875	2.875	2.879	.500	#
2658V	V	1.609	2.435	2.441	.300	75	*3339	S	2.875	3.876	3.881	.468	44
2674	S	2.875	4.175	4.180	.812	89	3341◀	H	4.812	5.544	5.552	.535	100
*2689¶	S	1.875	2.877	2.865	.490	56	3348★◀➡	S	32.99	51.92	52.02	12.45	47
2689S	S	1.875	2.877	2.865	.490	25			1.299	2.044	2.048	.490	
2692➡	N	1.875	2.561	2.565	.528	76	*3350	N	2.625	3.625	3.630	.600	#
*2699	S	3.250	6.125	6.149	.500	#	3357★&	S	38.00	52.04	52.15	6.35	283
*2704	S	4.500	6.305	6.313	.954	#			1.496	2.049	2.053	.250	
*2756N&	N	2.375	3.875	3.881	1.060	74	*3369	S	4.250	5.125	5.130	.360	#
*2757N&	N	2.375	4.498	4.504	1.060	74	3385◀➡	S	3.180	4.180	4.185	.750	74
2791	S	9.000	10.376	10.384	.625	33	3392★◀➡	S	40.00	55.00	55.17	9.60	47
2792	S	9.910	10.997	11.005	.625	33			1.575	2.165	2.172	.378	
*2796	S	1.500	2.372	2.376	.350	47	3393◀	V	2.375	3.000	3.013	.400	32
*2820★	S	48.01	65.07	65.20	12.70	#	3394➡	H	1.440	2.061	2.075	.315	32
		1.890	2.562	2.567	.500								
2822V	V	2.062	3.000	3.005	.375	41							

For Illustration and Material Data See Technical Section

Designed For A Specific Application - Not Recommended For General Use ➡ Hydrodynamic Lip Design-CW ◀ Hydrodynamic Lip Design-CCW

◀➡ Hydrodynamic Lip Design-Bidirectional % External Bore & Flanged O.D. ¶ Expandable O.D. § Inside Diameter-Rides On Ball

* Call 1-800-480-1212 For Price and Delivery ★ Metric Seal

Part No.	Lip Mat'l	Shaft Size	Hsg. Bore	Seal O.D.	Seal Width	Type/ Illus.	Part No.	Lip Mat'l	Shaft Size	Hsg. Bore	Seal O.D.	Seal Width	Type/ Illus.
3000 SERIES (cont.)							3000 SERIES (cont.)						
3395	S	1.437	2.061	2.066	.312	47	*3782	H	5.000	6.001	6.006	.500	#
*3402	S	5.500	7.625	7.631	1.250	#	3783	H	2.875	3.623	3.628	.500	65
3404➔	H	1.996	2.743	2.751	.325	75	3794	S	2.010	2.650	2.655	.363	49
*3428	S	1.500	2.327	2.332	.406	204	*3802	S	.737	1.375	1.382	.312	#
*3438N	N	1.250	2.000	2.004	.437	#	3807	H	6.328	7.329	7.336	.500	64
*3439N	N	1.562	2.375	2.379	.500	#	3813	H	2.625	3.695	3.700	.500	64
*3440V	V	2.625	3.623	3.628	.468	#	*3814N	N	3.500	5.250	5.256	.500	#
*3441V	V	2.875	4.003	4.008	.468	#	3816★&	S	18,00	30,00	30,10	6,70	271
*3447&	S	1.940	2.500	2.505	.250	286			.709	1.181	1.185	.264	
3459★↔	N	40,00	58,00	58,14	9,00	74	*3873	S	1.550	2.686	2.690	.500	#
		1.575	2.283	2.289	.354		3893V	V	3.750	4.750	4.756	.500	45
3476★➔	N	32,00	47,00	47,24	10,00	32	3894V	V	2.500	3.499	3.505	.500	48
		1.260	1.850	1.860	.394		3896➔	S	1.940	2.909	2.914	.520	76
*3492	T	5.000	5.751	5.756	.500	48	3905&	N	3.000	4.938	4.943	.740	76
3492V	V	5.000	5.751	5.756	.500	48	3907★↔	N	30,00	58,00	58,09	9,50	57
*3501V	V	2.420	3.349	3.355	.375	69			1.181	2.283	2.287	.374	
*3502	S	9.477	11.375	11.383	.750	45	3909↔	V	3.625	4.240	4.256	.390	35
*3503%	S	9.375	11.273	11.273	.825	#	3942&	S	2.500	3.226	3.231	.190	284
*3513	S	1.940	2.812	2.816	.400	#	3945↔	N	2.330	3.000	3.005	.400	48
*3517➔	S	1.763	2.409	2.416	.380	47	3946↔	S	1.875	2.750	2.754	.500	86
*3517V➔	V	1.763	2.409	2.416	.380	47	*3948	S	2.201	2.735	2.741	.197	#
3543★↔	H	35,00	54,89	55,04	14,66	57	*3966★	S	45,00	64,00	64,11	16,40	#
		1.378	2.161	2.167	.577				1.772	2.520	2.524	.646	
3553&	S	2.201	2.735	2.741	.197	284	*3967★	S	40,00	52,00	52,12	7,50	#
*3575V	V	3.500	4.376	4.381	.500	#			1.575	2.047	2.052	.295	
3583➔	H	1.748	3.229	3.238	.335	83	*3983↔	S	1.618	2.574	2.579	.460	47
*3590	N	3.346	4.135	4.148	.465	#	*3985★	S	45,00	65,00	65,10	5,00	#
3591	N	2.750	5.501	5.506	1.266	90			1.772	2.559	2.563	.197	
3592	N	3.000	5.501	5.506	1.266	90	4000 SERIES						
*3594	S	8.125	9.371	9.379	.425	#	*4012	S	2.875	4.003	4.008	.250	#
3604➔	V	1.812	2.777	2.783	.575	86	4019N↔	N	2.432	3.070	3.075	.227	47
3606★↔	N	47,00	69,00	69,14	10,10	7S	*4020	S	1.687	2.875	2.885	.622	#
		1.850	2.717	2.722	.398		*4026	N	.875	1.575	1.584	.669	#
*3607★↔	N	30,00	58,00	63,50	13,90	57	*4035N	N	2.937	4.939	4.944	1.250	90
		1.181	2.283	2.500	.547		*4036N	N	2.250	4.064	4.069	1.092	90
*3609★	S	40,00	52,00	52,12	8,00	47	*4037	N	2.625	4.064	4.069	.990	#
		1.575	2.047	2.052	.315		*4038N	N	2.375	4.064	4.069	1.092	90
3618➔	S	1.812	2.623	2.627	.615	86	4040N★↔	N	35,00	53,26	53,67	7,75	32
*3620	S	5.875	7.125	7.133	.500	#			1.378	2.097	2.113	.305	
3622↔	S	1.652	2.518	2.524	.394	74	*4048N	N	5.000	7.500	7.507	.875	#
*3623	V	2.937	4.003	4.008	.697	#							
*3624	S	8.000	9.500	9.508	.860	#	*4051	S	1.875	2.901	2.907	.315	#
*3633	S	2.000	2.561	2.566	.220	#	*4052➔	N	35,00	52,00	52,13	8,00	47
3638➔	N	1.125	1.624	1.628	.190	48			1.378	2.047	2.052	.315	
3655★➔	N	35,00	52,00	52,35	7,75	32	4072➔	N	1.787	3.229	3.238	.335	83
		1.378	2.047	2.061	.305		4072N➔	N	1.787	3.229	3.238	.335	83
3667&	S	.690	.997	1.003	.295	271	*4075	H	1.771	2.500	2.504	.359	#
3677&	S	1.500	1.989	1.993	.285	287	*4084	S	.739	1.250	1.254	.407	#
*3680	S	1.500	2.374	2.378	.710	#	4099&	S	1.673	2.162	2.166	.285	287
*3689★	V	233,00	272,00	272,26	15,88	#	*4101	S	2.496	3.243	3.248	.420	#
		9.173	10.709	10.719	.625		4122	S	2.882	3.431	3.436	.291	47
3698↔	H	2.988	3.740	3.748	.374	32	*4127N	N	.590	.997	1.006	.200	34
*3700➔	S	1.812	3.000	3.005	.455	86	4131&	S	2.312	3.000	3.004	.375	287
*3707	S	2.500	3.500	3.505	.540	47	*4139	S	4.750	6.619	6.625	1.150	#
3723★	S	55,00	70,00	70,10	10,26	66	4141	N	1.574	2.676	2.683	.500	#
		2.165	2.756	2.760	.404		4143	N	1.630	2.415	2.441	.492	#
3732S➔	S	1.062	1.575	1.581	.250	48	*4143N	N	2.938	4.003	4.008	.619	#
3743★	S	50,00	65,00	65,10	14,00	66	*4144V	V	5.000	6.997	7.003	1.093	90
		1.969	2.559	2.563	.551		4148&	S	2.000	2.623	2.627	.280	286
3747↔	S	1.703	3.084	3.090	.500	69	*4150N★↔	N	35,00	56,90	57,05	18,64	#
									1.378	2.240	2.246	.734	
*3757V	V	.625	1.124	1.129	.250	35	*4155	N	2.375	3.350	3.355	.625	#
*3765➔	H	2.367	3.366	3.374	.257	48	*4156H	H	3.125	4.125	4.130	.500	#
3771★➔	H	35,00	50,00	50,34	7,00	35	4160	S	2.420	3.000	3.005	.382	281
		1.378	1.969	1.982	.276		4162%	S	2.062	2.937	3.034	.340	200E
3772★↔	H	88,00	108,00	108,36	11,10	35	*4165↔	V	6.107	6.750	6.757	.500	#
		3.465	4.252	4.266	.437		*4165V↔	V	6.107	6.750	6.757	.500	#
3774★➔	H	42,00	56,00	56,34	7,00	35	*4173	N	3.574	4.756	4.761	.550	#
		1.654	2.205	2.218	.276								
*3776S	S	7.908	9.528	9.535	.960	#							

NUMERICAL SECTION

For Illustration and Material Data See Technical Section

Designed For A Specific Application - Not Recommended For General Use ➔ Hydrodynamic Lip Design-CW ↔ Hydrodynamic Lip Design-CCW
 ↔ Hydrodynamic Lip Design-Bidirectional % External Bore & Flanged O.D. * Call 1-800-480-1212 For Price and Delivery ★ Metric Seal

Numerical List Size & Type

NATIONAL®

Part No.	Lip Mat'l	Shaft Size	Hsg. Bore	Seal O.D.	Seal Width	Type/Illus.	Part No.	Lip Mat'l	Shaft Size	Hsg. Bore	Seal O.D.	Seal Width	Type/Illus.
4000 SERIES (cont.)							4000 SERIES (cont.)						
4175★	S	40.00	52.00	52.22	9.00	#	*4596★	N	32.00	43.00	43.28	4.00	35
		1.575	2.047	2.056	.354				1.260	1.693	1.704	.157	
*4176	S	2.812	4.176	4.181	.551	#	*4596V	V	3.250	-	-	.656	#
*4185	S	2.420	3.552	3.558	.336	#	4598➔	N	2.000	2.878	2.882	.340	83
4189H&	H	1.996	3.111	3.120	.344	75	*4599H★➔	H	60.00	85.50	85.70	7.00	#
*4195	S	2.000	2.562	2.566	.225	#			2.362	3.366	3.374	.276	
*4203↔	S	3.655	4.620	4.631	.270	#	*4602V	V	6.142	8.000	8.007	.658	#
*4235%	S	4.000	5.755	5.822	.562	#	*4603V	V	6.772	9.000	9.007	.658	#
4244↔	S	1.552	2.750	2.755	.415	72	*4610	S	4.687	6.850	6.865	.551	35
4249&	S	1.809	2.361	2.365	.380	287	4613N↔	N	1.377	2.874	2.881	.693	57
4250↔	S	2.500	3.303	3.307	.465	74	4614N↔	N	1.377	2.162	2.167	.744	87
							4615V★➔	V	42.00	67.00	67.13	7.16	83
*4269	S	4.000	5.696	5.700	.850	74			1.654	2.638	2.643	.282	
*4273	S	16.250	18.000	18.010	.750	#	*4616V★	V	16.00	44.75	44.96	9.00	#
4278&	V	1.812	3.091	3.096	.485	86			.630	1.762	1.770	.354	
*4291	V	4.375	5.375	-	.500	#	*4624N&	N	2.503	3.629	3.633	.900	86
4291V%	V	4.375	5.375	5.425	.500	#	4624V&	V	2.503	3.629	3.633	.900	86
*4302↔	S	1.750	3.036	3.040	.500	47	4635	H	2.141	3.484	3.493	.622	#
4307V★↔	V	76.00	92.00	92.28	9.50	32	4635V	V	2.141	3.484	3.493	.329	#
							*4635H➔	H	2.141	3.484	3.493	.329	#
*4310	S	1.875	2.803	2.808	.433	285	4638N	N	1.375	1.982	1.989	.192	#
4333N↔	N	1.886	2.699	2.704	.350	79	*4654N↔	N	2.000	2.995	3.003	.438	#
*4340V	V	3.875	4.750	4.756	.500	#	*4655N➔	N	1.375	1.982	1.989	.312	48
							*4662V★	V	16.00	27.23	27.33	9.00	47
*4346➔	S	1.037	1.575	1.579	.333	#			.630	1.072	1.076	.354	
4353	V	7.375	9.615	9.622	.979	#	*4670N↔	N	2.503	3.500	3.504	.450	#
*4354V	V	6.625	9.615	9.622	.979	#	4674N↔	N	1.605	2.795	2.804	.364	#
4359V★↔	V	95.00	115.00	115.31	12.50	32	4701	N	.408	1.004	.102	.208	49
							4701N	N	.408	1.004	1.008	.208	49
4370N↔	N	1.503	2.376	2.383	.420	88	*4713V↔	V	4.000	4.999	5.004	.469	#
*4400★	N	18.00	28.00	28.20	6.00	34	*4738N↔	N	1.190	1.969	1.975	.261	48
		.709	1.102	1.110	.236		*4738V↔	V	1.190	1.969	1.975	.312	48
*4401★	N	18.00	32.00	32.23	12.70	#	4739	S	2.000	2.561	2.565	.250	282
		.709	1.260	1.269	.500		4740	S	2.180	2.999	3.004	.250	282
*4403	S	2.000	2.745	2.749	.230	#	4741↔	N	2.200	3.022	3.028	.422	#
*4409N	N	3.500	5.906	7.500	.600	#	*4748V↔	V	1.190	1.889	1.892	.651	#
*4419	N	1.375	2.373	2.378	.500	#	4762N↔	N	1.618	2.841	2.849	.500	74
							4763S	S	1.625	2.562	2.566	.437	#
*4431	S	1.875	3.160	3.165	.530	72	4764↔	N	1.598	2.476	2.483	.420	86
*4431N	N	1.875	3.160	3.165	.530	72	4765↔	N	1.598	2.476	2.483	.350	79
*4431V	V	1.875	3.160	3.165	.530	72	*4766S	S	10.820	12.000	12.015	.590	#
*4434	S	1.552	3.160	3.165	.530	72	*4771S↔	S	1.750	2.436	2.441	.300	#
*4434N	N	1.552	3.160	3.165	.530	72	*4789S★↔	S	90.00	115.00	115.14	17.12	#
4458V	V	.984	1.499	1.504	.250	#			3.543	4.528	4.533	.674	
4462N	N	.000	2.097	2.109	.938	#	4795V↔	V	1.399	2.482	2.750	.310	74
*4470V	V	3.125	4.003	4.008	.500	#	4810V➔	V	3.003	3.751	3.761	.570	#
*4489V	V	3.750	4.499	4.506	.468	96							
*4490	V	2.750	4.003	4.008	.500	#	4813V➔	V	1.178	2.447	2.452	.500	86
							4857↔	V	1.400	2.282	2.288	.547	86
4491	V	3.500	4.501	4.506	.500	#	4874N↔	N	2.748	3.543	3.555	.591	#
4492	V	2.750	3.543	3.548	.500	#	4875N➔	N	3.250	4.249	4.282	.650	#
*4494V↔	V	5.187	6.500	6.515	.625	#	4876N➔	N	2.748	5.500	5.512	.850	#
4503N↔	N	1.886	2.750	2.765	1.375	79	4889	V	1.562	2.833	2.840	.493	#
*4512↔	N	2.375	4.498	4.504	.860	#	4890	V	1.562	2.873	2.880	.493	#
4525V	V	2.500	4.035	4.040	.634	87	4898★	S	52.00	66.00	66.12	7.50	66
4528N★↔	N	48.00	65.00	65.15	24.50	66			2.047	2.598	2.603	.295	
							4899★	S	56.00	75.00	75.13	6.50	66
4529N➔	N	1.375	2.047	2.052	.330	68			2.205	2.953	2.958	.256	
4530↔	N	1.502	2.126	2.132	.492	96	4901★↔	N	35.00	62.00	62.28	8.00	40
4532N↔	N	1.375	3.542	3.549	.397	93			1.378	2.441	2.452	.315	
4539V	V	2.367	3.366	3.374	.257	75	4904★	S	49.00	62.00	62.15	8.00	66
4539H➔	H	2.367	3.366	3.374	.257	75			1.929	2.441	2.447	.315	
4543V➔	V	3.250	4.249	4.260	.662	#	*4905★	S	56.00	76.00	76.15	11.50	72
4544V➔	V	3.253	5.500	5.511	.630	#			2.205	2.992	2.998	.453	
4561V↔	V	2.503	3.428	3.439	.709	#	4918	N	1.787	3.228	3.238	.335	83
4562V➔	V	3.003	4.937	4.948	.662	#	4934	N	1.503	2.374	2.379	.374	79
4563V➔	V	2.938	3.937	3.947	.552	#	*4936V↔	V	3.750	4.751	4.756	.500	#
4564V➔	V	2.748	3.876	3.886	.552	#	4941V	V	1.552	3.160	3.165	.608	#
4577	N	1.874	2.676	2.682	.410	#	4950	N	1.748	2.619	2.627	.330	88
4583↔	N	1.502	2.377	2.381	.374	86	4981V	V	1.685	2.500	2.506	.421	#
*4591	S	4.647	6.309	6.318	.625	#							

For Illustration and Material Data See Technical Section

Designed For A Specific Application - Not Recommended For General Use ➔ Hydrodynamic Lip Design-CW ↔ Hydrodynamic Lip Design-CCW

Part No.	Lip Mat'l	Shaft Size	Hsg. Bore	Seal O.D.	Seal Width	Type/ Illus.	Part No.	Lip Mat'l	Shaft Size	Hsg. Bore	Seal O.D.	Seal Width	Type/ Illus.	
4000 SERIES (cont.)							5000 SERIES (cont.)							
4989	S	1.437	2.441	2.445	.374	#	5185						See Kit Section	
4990★	S	52,00	68,00	68,28	7,00	281	5188						See Kit Section	
		2.047	2.677	2.688	.276		5189						See Kit Section	
5000 SERIES														
5000		See Kit Section						5199						See Kit Section
5001		See Kit Section						5200						See Kit Section
5008		See Kit Section						5201						See Kit Section
5010		See Kit Section						5202						See Kit Section
5015		See Kit Section						5203						See Kit Section
5026		See Kit Section						5204						See Kit Section
5028		See Kit Section						5205						See Kit Section
5033		See Kit Section						5206						See Kit Section
5039		See Kit Section						5207						See Kit Section
5045		See Kit Section						5208						See Kit Section
5065		See Kit Section						5210★⑤	N	33,00	89,90	89,60	40,00	35
5066		See Kit Section								1.299	3.539	3.528	1.575	
5068		See Kit Section						5227						See Kit Section
5070	F	1.803	2.965	2.969	.250	29	5228						See Kit Section	
5071		See Kit Section						5229						See Kit Section
5072		See Kit Section						5273						See Kit Section
5073		See Kit Section						5274						See Kit Section
5075		See Kit Section						5276						See Kit Section
5076		See Kit Section						5277						See Kit Section
5077		See Kit Section						5278						See Kit Section
5079		See Kit Section						5279						See Kit Section
5082		See Kit Section						5287						See Kit Section
5084		See Kit Section						5288◀	T	2.375	3.000	3.013	.394	#
5089		See Kit Section						5290						See Kit Section
5092		See Kit Section						5302						See Kit Section
5095		See Kit Section						5313						See Kit Section
5100		See Kit Section						5327						See Kit Section
5106		See Kit Section						5329						See Kit Section
5108		See Kit Section						5330						See Kit Section
5109	S	2.496	3.245	3.248	.485	#	5331						See Kit Section	
5111		See Kit Section						5332						See Kit Section
5111S	S	.000	.000	.000	.000	#	5336						See Kit Section	
5112		See Kit Section						5346						See Kit Section
5112S	S	.000	.000	.000	.000	#	5347						See Kit Section	
5113	S	2.000	2.745	2.749	.230	203	5361						See Kit Section	
*5114	S	1.687	2.560	2.579	.375	#	5364						See Kit Section	
5115▶	S	1.500	2.249	2.254	.250	47	5373						See Kit Section	
5116		See Kit Section						5376						See Kit Section
5117		See Kit Section						5377						See Kit Section
5118		See Kit Section						5381						See Kit Section
5119	S	2.375	3.265	3.270	.495	49	5382						See Kit Section	
5120		See Kit Section						5383						See Kit Section
5121	S	1.940	2.622	2.626	.580	281	5384						See Kit Section	
5123	S	2.562	3.090	3.095	.375	280	5388						See Kit Section	
5124	S	1.326	2.226	2.247	.500	48	5390						See Kit Section	
*5125&	S	2.000	2.623	2.627	.635	#	5397						See Kit Section	
5126&	S	1.875	2.813	2.817	.500	74	5399						See Kit Section	
5128N	N	3.375	3.948	3.955	.375	32	5401						See Kit Section	
5131◀▶	S	1.318	2.280	2.286	.906	#	5403						See Kit Section	
5133	V	1.812	2.562	2.566	.312	48	5405						See Kit Section	
5146		See Kit Section						5406						See Kit Section
5147		See Kit Section						5408						See Kit Section
5160		See Kit Section						5410						See Kit Section
5161		See Kit Section						5414						See Kit Section
5163		See Kit Section						5419						See Kit Section
5164		See Kit Section						5422						See Kit Section
5166		See Kit Section						5424						See Kit Section
5167		See Kit Section						5436						See Kit Section
5168		See Kit Section						5441						See Kit Section
5169		See Kit Section						5443						See Kit Section
5170		See Kit Section						5452						See Kit Section
5172		See Kit Section						5453						See Kit Section
5175		See Kit Section						5458						See Kit Section
								5460						See Kit Section
								5461						See Kit Section

NUMERICAL SECTION

For Illustration and Material Data See Technical Section
 # Designed For A Specific Application - Not Recommended For General Use ▶ Hydrodynamic Lip Design-CW ◀ Hydrodynamic Lip Design-CCW
 ◀▶ Hydrodynamic Lip Design-Bidirectional © Seal & Installation Sleeve & Flanged O.D. * Call 1-800-480-1212 For Price and Delivery ★ Metric Seal

Numerical List Size & Type

NATIONAL®



Part No.	Lip Mat'l	Shaft Size	Hsg. Bore	Seal O.D.	Seal Width	Type/Illus.	Part No.	Lip Mat'l	Shaft Size	Hsg. Bore	Seal O.D.	Seal Width	Type/Illus.	
5000 SERIES (cont.)							5000 SERIES (cont.)							
5462		See Kit Section						5686		See Kit Section				
5465		See Kit Section						5690		See Kit Section				
5471		See Kit Section						5694		See Kit Section				
5472		See Kit Section						5695		See Kit Section				
5473		See Kit Section						5696		See Kit Section				
5475		See Kit Section						5697		See Kit Section				
5476		See Kit Section						5698		See Kit Section				
5479		See Kit Section						5699		See Kit Section				
5481		See Kit Section						5700		See Kit Section				
5483		See Kit Section						5711	S	1.750	2.983	2.987	.438	41
5487		See Kit Section						*5721	T	5.000	5.999	6.006	.717	90
5488		See Kit Section						5722		See Kit Section				
5494		See Kit Section						5727	F	1.625	2.722	2.727	.406	205
5495		See Kit Section						5751	L	3.125	4.562	4.567	1.198	34
5499		See Kit Section						5756	F	2.062	3.151	3.156	.240	29
5509		See Kit Section						5778	N	1.552	3.160	3.165	.530	72
5518		See Kit Section						5778V	V	1.552	3.160	3.165	.645	72
5520		See Kit Section						5796	L	1.562	2.686	2.690	.375	201
5521		See Kit Section						5797	L	2.031	-	4.156	.781	#
5526		See Kit Section						5827	L	1.750	2.750	2.754	.484	201
5527		See Kit Section						5836	L	1.734	2.726	2.730	.500	201
5531		See Kit Section						5857	F	1.000	1.499	1.503	.312	29
5532		See Kit Section						5865	L	2.000	2.750	2.754	.187	4L
5537		See Kit Section						5872S	S	1.375	2.000	2.004	.320	45
5538		See Kit Section						5877	L	2.062	2.842	2.846	.450	5L
5550		See Kit Section						*5921	L	2.250	4.010	4.015	.843	1L
5551		See Kit Section						5924	L	2.312	3.313	3.318	.375	4L
5563		See Kit Section						*5957S	S	2.470	3.063	3.187	.510	273
5567		See Kit Section						*5961	L	3.500	5.750	5.756	.875	91
5573		See Kit Section						5965%	L	3.500	4.437	4.437	.437	8L
5575		See Kit Section						*5970	F	1.875	2.995	3.000	.375	29
5576		See Kit Section						5976S	S	.875	1.245	1.256	.187	34
5578		See Kit Section						6000 SERIES						
5581		See Kit Section						*6050	S	3.125	4.125	4.130	1.750	33
5584		See Kit Section						6064	F	1.875	2.965	2.969	.250	29
5588		See Kit Section						6074	F	1.937	3.622	3.627	.375	29
5589		See Kit Section						6077	S	2.062	-	4.735	.468	#
5591		See Kit Section						*6081	F	2.625	3.350	3.355	.453	29
5592		See Kit Section						*6082	F	2.250	3.061	3.066	.437	29
5593		See Kit Section						*6084	L	1.687	2.279	2.283	.500	5L
5594		See Kit Section						6090S	S	2.000	2.630	2.750	.562	273
5596		See Kit Section						6101	F	1.718	2.996	3.000	.375	29
5599		See Kit Section						*6110	F	1.875	2.718	2.722	.468	29
5601		See Kit Section						6127	L	1.875	4.010	4.014	1.000	31
5602		See Kit Section						6163S	S	2.000	2.875	2.879	.703	21
5603		See Kit Section						*6180	S	2.125	3.180	3.184	.781	#
5604		See Kit Section						6186	L	2.187	3.189	3.194	.718	1L
5609		See Kit Section						6200	L	1.375	2.250	2.252	1.062	9L
5613		See Kit Section						*6214	L	2.375	3.481	3.486	.663	3L
5615		See Kit Section						6241S	S	1.375	2.437	2.441	.250	48
5624		See Kit Section						*6245S	S	3.500	4.600	6.625	.531	#
5625		See Kit Section						6270	S	3.937	5.371	5.377	.906	21
5629		See Kit Section						6283S	S	1.610	2.500	2.531	.300	26
5632		See Kit Section						*6309	S	2.187	4.420	4.520	.687	39
5634		See Kit Section						6312%	L	1.500	2.187	2.187	.500	8L
5637		See Kit Section						6324S	S	.968	1.500	1.507	.187	34
5643		See Kit Section						6329S	S	4.687	5.751	5.756	.750	7S
5645		See Kit Section						6336S%	S	1.562	2.684	2.701	.250	26
5649		See Kit Section						*6340	S	1.375	2.000	2.004	.375	45
5650		See Kit Section						*6356	F	1.625	2.448	2.502	.250	29
5657		See Kit Section						6357S	S	.796	1.499	1.503	.625	92
5665		See Kit Section						6358◄→	S	3.187	4.625	4.630	.442	47
5666		See Kit Section						6370N★	N	32.99	46.43	46.53	9.53	33
5667		See Kit Section								1.299	1.828	1.832	.375	
5682		See Kit Section						6380	F	2.125	3.436	3.440	.625	29
*5683++	S	1.250	1.752	1.756	.300	32	*6385	F	.875	1.575	1.750	.281	29	
*5684++	S	1.250	1.752	1.756	.399	32	6389	F	2.125	3.126	3.131	.484	29	
5685		See Kit Section												

For Illustration and Material Data See Technical Section

Designed For A Specific Application - Not Recommended For General Use ◄→ Hydrodynamic Lip Design-Bidirectional ++ Not Sold Separately % External Bore

* Call 1-800-480-1212 For Price and Delivery ★ Metric Seal

Part No.	Lip Mat'l	Shaft Size	Hsg. Bore	Seal O.D.	Seal Width	Type/ Illus.	Part No.	Lip Mat'l	Shaft Size	Hsg. Bore	Seal O.D.	Seal Width	Type/ Illus.
6000 SERIES (cont.)							6000 SERIES (cont.)						
*6402S	S	1.812	2.250	2.258	.312	35	*6897	S	3.125	-	8.250	.925	#
*6405	S	2.625	-	5.030	.200	#	6906S	S	1.250	1.968	1.972	.468	204
6426	L	1.500	2.502	2.506	.375	4L	*6910S	S	1.880	2.398	2.414	.250	35
*6442S	S	3.000	3.752	3.760	.375	35	*6922	S	2.192	-	3.437	.703	#
6460S	S	1.875	2.758	2.762	.500	41	6930	L	1.812	4.123	4.128	.746	21
*6465B++	F	2.000	2.651	4.562	.562	#	6936S	S	1.763	2.412	2.416	.375	45
*6469	F	2.000	-	4.562	.562	#	6949S	S	1.750	2.875	2.880	.500	274
*6477S	S	3.226	-	8.250	.518	#	*6952S★	S	35.00	63.45	63.55	7.92	#
*6479	S	2.860	-	6.460	.520	#	6954S	S	2.062	3.000	3.005	.310	44
*6480	S	3.125	-	7.500	.531	#	*6957	N	2.129	2.762	2.766	.250	48
*6481	N	3.125	7.000	8.250	1.003	51	*6959	S	2.375	4.310	5.880	.331	#
6481S	S	3.125	7.000	8.250	1.003	51	6960	L	1.830	2.570	2.574	.250	4L
*6495S	S	3.250	4.125	4.130	.937	9S	*6966S	S	1.437	2.437	2.441	.250	44
*6505S	S	3.125	5.778	8.125	.571	#	*6971S	S	1.915	2.533	2.537	.250	33
6522S	S	.984	1.500	1.508	.410	34	*6982S	S	2.625	4.252	4.256	1.156	#
*6532S	S	2.687	3.251	3.256	.578	273	6985	F	1.875	2.628	2.633	.347	29
*6542%	S	2.687	3.062	3.062	.187	36	6988H	H	1.937	2.686	2.690	.500	33
6545	F	1.500	2.062	2.066	.250	21	7000 SERIES						
6547	L	1.875	2.996	3.001	.375	201	7006S	S	5.500	6.997	7.004	1.250	43
6565N	N	4.125	4.999	5.004	.468	41	7013S	S	.750	1.311	1.315	.312	25
6575S	S	2.474	3.543	3.548	.285	200	7014S	S	.875	1.254	1.260	.205	4S
6584S&	S	3.250	4.500	4.507	.718	74	*7020	S	1.915	2.532	2.548	.250	#
6590S	S	2.093	2.716	2.721	.406	204	*7021S	S	3.000	4.003	4.008	.375	48
6597S	S	1.375	1.829	1.837	.187	34	7022S	S	1.687	2.328	2.332	.531	276
*6603	F	3.125	4.562	4.567	.687	205	7028	S	.750	1.375	1.379	.312	25
6612S	S	3.500	5.250	5.258	.562	#	*7028V	V	.750	1.375	1.379	.312	25
*6622	S	1.375	1.828	1.839	.255	34	7038SA◀	S	1.687	2.502	2.506	.582	41
6626S	S	2.125	2.875	2.879	.312	4S	*7042S%	S	4.500	5.751	5.870	.250	#
6635S	S	4.375	6.064	6.071	.625	45	7044NA▶	S	1.812	3.000	3.005	.455	86
6636S	S	2.187	3.187	3.194	.687	35	*7068★%	S	57.00	57.12	82.55	7.47	200E
6638S	S	3.500	4.841	4.848	.875	#	7105S	S	1.875	3.375	4.812	.312	#
6643S	S	2.750	-	6.200	.700	52	*7107A	F	1.875	2.720	2.725	.235	29
6644	L	3.125	4.562	4.567	.760	5L	7131	S	8.000	11.624	11.632	.750	#
6649	S	3.125	-	8.250	.571	52	*7141	S	2.058	2.676	2.681	.255	200
6663S	S	4.750	6.618	6.625	1.141	89	7154S	S	2.531	4.540	6.125	.500	#
6668S	S	1.375	1.875	1.878	.187	33	*7183%	S	4.000	4.750	4.750	.500	#
*6690	S	4.937	6.250	6.256	-	#	*7184%	S	3.738	3.750	4.500	.500	#
*6701	S	4.740	-	7.575	.410	#	7186S	S	1.812	2.718	2.722	.270	200
*6701SS0	S	4.740	-	7.625	.410	#	*7187S	S	2.430	-	3.031	.380	#
6703S	S	1.750	2.250	2.258	.187	35	7188S	S	.625	.999	1.003	.250	33
6704	L	1.125	1.874	1.878	.625	1L	7208S%	S	3.250	4.500	4.600	.315	200E
6712NA▶	N	1.875	2.758	2.762	.425	74	7214	S	.750	1.031	1.035	.313	49
*6754S	S	3.125	4.049	4.054	.437	45	*7215	L	1.875	2.812	3.000	.500	5L
6759S	S	1.500	1.997	2.001	.531	1S	7216&	L	1.875	3.105	3.110	.500	47
6760S	S	1.375	2.062	2.072	.250	35	*7230	S	3.750	5.375	5.381	.750	#
*6764S	S	3.125	-	8.250	.500	#	*7234	S	4.250	5.250	5.260	.590	#
6780S	S	2.875	4.125	4.130	.812	21	7235S	S	1.473	1.971	1.979	.562	32
6781	L	1.796	2.725	2.730	.500	201	7245	L	1.375	2.502	2.506	.250	4L
6785★	F	62.99	84.07	84.23	12.70	35	7300S◀	N	1.685	2.500	2.506	1.250	79
*6792	N	.625	1.000	1.004	.156	4S	7338N&	N	3.000	3.686	3.702	.523	56
6808N	N	1.875	3.160	3.165	.562	45	7354N%	N	4.375	5.373	5.500	.570	8S
6815&	S	1.940	2.500	2.505	.250	286	7354V%	V	4.375	5.373	5.500	.570	8S
6818	S	1.739	3.000	3.008	.500	71	*7370	S	1.375	2.835	3.020	.390	48
6832S	S	1.125	1.935	1.942	.625	204	7378	L	5.062	6.994	7.004	1.312	5L
6835S	S	.750	1.250	1.254	.312	33	7381S	S	1.687	2.684	2.706	.250	24
6840S	S	1.730	2.336	2.340	.250	4S	*7387	S	11.500	12.495	12.535	.250	#
*6846S	S	2.640	4.450	4.490	.250	#	*7390%	S	4.000	4.104	4.906	.821	#
6847S	S	1.000	1.250	1.254	.536	#	*7392S	S	1.153	1.686	1.690	.437	#
*6855N	N	1.000	2.812	2.817	1.156	1S	7399S	S	.625	.937	.945	.187	24
6859S	S	1.247	1.687	1.691	.312	33	*7412H	H	1.250	1.750	1.754	.250	48
*6860S	S	2.500	3.350	3.355	.718	#	7412S▶	S	1.250	1.750	1.754	.250	48
6863S	S	.437	.999	1.007	.250	35	*7413◀	N	1.500	2.377	2.381	.470	71
6864S	S	4.050	5.501	5.506	.671	45	*7456N&	N	1.603	2.282	2.292	.530	94
6872S	S	5.500	6.312	6.316	1.250	47	7457N	N	1.656	2.623	2.627	.455	1S
6873S	S	5.500	6.500	6.505	1.125	43	7486S	S	1.750	2.374	2.381	.437	35
6879H	H	2.125	2.875	2.879	.375	33	7495S	S	1.375	2.250	2.254	.713	61
6886S	S	4.625	6.622	6.629	1.093	21							

NUMERICAL SECTION

For Illustration and Material Data See Technical Section

Designed For A Specific Application - Not Recommended For General Use ▶ Hydrodynamic Lip Design-CW ◀ Hydrodynamic Lip Design-CCW ++ Not Sold Separately
% External Bore & Flanged O.D. * Call 1-800-480-1212 For Price and Delivery ★ Metric Seal

Numerical List Size & Type

NATIONAL®



Part No.	Lip Mat'l	Shaft Size	Hsg. Bore	Seal O.D.	Seal Width	Type/Illus.	Part No.	Lip Mat'l	Shaft Size	Hsg. Bore	Seal O.D.	Seal Width	Type/Illus.
7000 SERIES (cont.)							8000 SERIES (cont.)						
*7506N	N	.500	.688	.696	.100	24	8165	H	1.875	3.000	3.005	.625	#
*7506S	S	.500	.688	.696	.100	24	8181NA➔	S	1.812	2.623	2.627	.455	74
*7512S	S	2.500	4.500	6.125	.400	51	*8228	S	7.927	9.174	9.182	.687	#
7512SSO	S	2.500	4.500	6.125	.400	51	*8229	S	3.312	4.249	4.254	.750	#
*7516	S	6.375	8.000	8.008	1.060	#	8243	F	2.125	3.146	3.153	.500	#
*7525N	N	1.562	2.875	3.062	.468	47	*8250	N	1.843	2.672	2.676	.187	#
7537S	S	1.500	2.062	2.066	.240	24	8293S	S	1.238	2.250	2.254	.500	48
*7564	S	10.500	12.500	12.508	1.234	39	8312&	S	2.136	2.902	2.909	.310	272
7568	H	2.222	3.543	3.548	.760	#	8314	S	1.796	2.524	2.800	.599	#
7581H&	H	2.500	3.500	3.505	.500	48	8316★➔	N	51.00	70.00	70.28	11.00	32
7600S	S	1.825	2.750	2.754	.468	47							
7607	F	1.730	2.336	2.340	.280	#	*8338	S	3.750	5.000	5.004	.620	39
*7679	S	1.875	2.400	2.405	.240	44	*8346	S	1.500	2.385	2.389	.320	#
7686S	S	1.250	2.250	2.254	.435	25	8362	S	1.875	2.315	2.321	.203	33
7687S★	S	35.00	63.50	63.83	11.05	#	*8369S	S	3.125	-	-	.571	#
		1.378	2.500	2.513	.435		8370S	S	3.797	4.501	4.506	.250	4S
7692S◀	S	1.500	2.372	2.376	1.458	79	*8398	S	1.937	3.381	3.376	.667	39
7700S	S	4.625	6.622	6.629	1.093	21	8421S	S	1.562	2.062	2.066	.250	33
*7708	S	.562	1.234	1.238	.437	71	*8425	S	3.750	4.624	4.630	.535	#
7715S	S	1.372	2.250	2.515	1.197	#	*8427	S	3.000	4.002	4.625	.884	#
*7729	S	1.730	2.758	2.762	.882	39	8429S	S	1.247	-	2.633	.480	#
*7731	S	1.750	2.502	2.506	.750	2S	8430S	S	2.125	3.000	3.005	.312	49
*7738	S	5.40	1.219	1.213	.187	#	8460N&	N	1.739	2.812	3.270	.593	74
*7743	S	5.750	6.500	6.510	.500	#	*8473S	S	1.830	2.570	2.574	.250	29
*7747	S	7.125	8.494	8.501	1.062	47	*8475	S	4.000	5.250	5.256	.625	39
7750	S	.750	1.124	1.128	.188	48	8477S	S	1.618	2.531	2.535	.750	48
7751H	H	1.968	2.686	2.690	.370	33	*8480	S	3.557	4.530	4.530	.320	#
*7769	S	1.375	2.437	2.441	.250	48	*8481%	S	4.062	5.035	5.197	.320	46
*7773N	N	2.500	3.500	3.505	.687	#	*8482	S	4.550	5.500	5.662	.350	#
*7774N	N	3.000	4.003	4.008	.640	#	8515N&	N	1.875	2.812	2.816	.770	74
*7775N	N	3.375	4.626	4.631	.687	#	8516N	N	1.687	2.623	2.627	.437	47
*7776N	N	3.750	4.751	4.756	.750	#	8521S%	S	1.873	2.684	2.684	.544	200E
7780	L	2.667	3.751	3.756	.500	4L	*8547	V	1.687	2.624	2.628	.609	#
7780N	L	2.667	3.751	3.756	.500	4L	*8547H	H	1.687	2.624	2.628	.609	#
7781S	S	1.250	1.983	1.987	.250	203	*8548H	H	4.625	6.000	7.125	.987	#
*7782N	N	1.875	2.560	2.565	.406	48	8549S&	S	1.372	-	4.560	.480	#
7790H	H	2.125	3.193	3.198	.812	#	*8557	S	4.125	5.375	5.585	1.460	39
7834	L	1.750	2.502	2.506	.680	#	*8561	S	2.625	3.531	3.536	.812	2S
7840S	S	.875	1.249	1.254	.187	31	*8562	S	7.718	9.186	9.191	.875	#
*7843	S	3.000	5.501	5.507	.312	#	*8571	S	2.250	3.250	3.256	.625	#
*7844	S	3.000	4.125	4.130	.312	#	8594S	S	1.350	2.571	2.575	.706	62
7866S	S	4.875	6.375	6.625	.500	75	8597S	S	1.491	2.191	2.195	.250	48
7886S	S	1.500	2.437	2.441	.250	48	8609	S	.812	1.250	1.254	.254	47
7896S	S	3.110	-	5.750	.375	51	8610➔	S	1.521	2.656	2.660	.424	74
7929S	S	.742	1.063	1.067	.187	33	8611N	S	1.521	2.656	2.660	.594	74
7934S	S	1.875	2.400	2.405	.240	204	8620N	N	1.645	2.656	2.660	.406	47
7937N	N	2.250	3.061	3.066	.500	41	8622&	S	1.940	2.813	2.817	.428	#
7941	S	1.125	1.562	1.566	.220	44	*8632S	S	1.873	2.878	3.250	.875	#
*7951	S	2.125	3.125	3.130	.593	41	8635S	S	5.500	7.624	7.631	1.250	21
*7955	S	3.500	4.875	4.881	.925	39	*8636	S	2.437	4.000	4.055	1.093	#
*7972S	S	12.000	14.000	14.010	1.000	45	8650S	S	2.125	2.996	3.001	.687	1L
7994S	S	1.562	2.062	2.066	.200	44	8660L**	L	1.399	2.292	2.296	.500	5L
							8660S◀➔	S	1.399	2.292	2.296	.460	48
							*8662	S	5.812	7.125	7.132	.625	35
							*8669	S	1.910	2.760	2.760	.070	#
*8020S	S	2.625	3.749	3.755	.586	41	*8673	S	1.437	2.500	2.508	.687	25
8059S	S	.968	1.686	1.690	.312	25	8676S	S	1.375	-	4.582	.259	54
*8073	N	1.603	2.375	2.379	.187	#	8695L**	L	1.550	2.686	2.690	.500	5L
*8084N	N	1.906	3.189	3.194	.406	45	8695S◀➔	S	1.550	2.686	2.690	.500	47
*8091	S	6.000	8.187	8.194	1.250	#	8704S	S	1.893	2.434	2.438	.250	33
*8097%	S	1.476	1.493	2.447	.620	39	8705S	S	1.734	2.400	2.405	.230	277
*8120	S	2.310	2.965	2.970	.250	#							
8121S	N	1.730	2.336	2.340	.470	25	*8710	S	3.263	3.275	4.110	.500	#
*8126N	N	5.000	6.622	6.629	.906	89	8724S	S	7.995	11.625	11.633	1.078	41
8126S	S	5.000	6.622	6.629	.906	89	*8730	S	2.231	3.017	2.974	.070	#
*8130%	S	3.375	4.275	4.380	.730	#	*8733	S	1.460	2.077	2.034	.070	#
8133S	S	1.362	2.191	2.195	.250	48	*8734	S	1.145	1.765	1.722	.070	#
8139	F	2.000	2.961	2.971	.250	#	8750S	S	.762	1.160	1.164	.250	33
8160S	S	1.562	2.441	2.457	.500	32	*8754S	S	2.258	3.906	3.950	.250	#

For Illustration and Material Data See Technical Section

Designed For A Specific Application - Not Recommended For General Use ➔ Hydrodynamic Lip Design-CW ◀ Hydrodynamic Lip Design-CCW

Numerical List Size & Type

NATIONAL®

Part No.	Lip Mat'l	Shaft Size	Hsg. Bore	Seal O.D.	Seal Width	Type/Illus.	Part No.	Lip Mat'l	Shaft Size	Hsg. Bore	Seal O.D.	Seal Width	Type/Illus.
39000 SERIES (cont.)							40000 SERIES (cont.)						
39837	T	3.750	4.750	4.756	.500	W-H	*40268S	S	1.843	2.623	2.627	.250	4S
39849	T	4.375	5.501	5.506	.500	FW-H	40286	L	1.625	2.750	2.754	.250	4L
39851	T	2.125	2.875	2.879	.437	FW-H	40301S	S	2.000	3.000	3.005	.250	4S
39853	T	2.125	2.875	2.879	.437	FW-H	40316S	S	2.250	3.251	3.256	.250	4S
39861	T	6.496	9.600	9.606	.540	#	*40322	S	2.437	3.251	3.256	.250	4S
39865	T	90.00	157.86	158.00	14.27	#	40337S	S	2.500	3.148	3.154	.250	4S
		3.543	6.215	6.220	.562		40360S	S	2.000	2.686	2.690	.250	4S
39867	T	25.00	41.00	41.09	8.00	W-H	*40369S	S	1.531	2.623	2.627	.250	4S
		.984	1.614	1.618	.315		40370S	S	1.968	2.960	2.964	.250	4S
39869	T	28.00	41.00	41.10	8.00	#	40375	T	3.230	3.790	3.795	.325	32
		1.102	1.614	1.618	.315								
39875	T	38.00	54.00	54.10	25.00	#	40382	L	1.500	1.983	1.987	.250	4L
		1.496	2.126	2.130	.984		*40385S	S	.375	.750	.754	.250	4S
39877	T	49.00	65.10	65.20	8.00	WW	*40389S	S	2.000	2.750	2.754	.250	4S
		1.929	2.563	2.567	.315		40392	T	70.00	101.60	101.83	11.91	FW-H
								2.756	4.000	4.009	.469		
39879	T	1.299	1.779	1.784	.256	FW-H	40395	L	1.375	1.874	1.878	.250	4L
39880	T	5.000	5.999	6.006	.413	94	40395S	S	1.375	1.874	1.879	.250	4S
39881	T	4.993	6.000	6.006	.413	FW-H	40401	L	2.000	2.501	2.506	.250	4L
39882	T	3.620	4.625	4.630	.400	FW-H	40410S	S	2.000	2.623	2.627	.250	4S
39883	T	6.238	8.655	8.661	1.100	90	40433S	S	2.250	3.125	3.130	.250	4S
39885	T	6.198	7.328	7.336	.354	FW-H	40438S	S	1.562	2.374	2.378	.250	4S
39886	T	6.202	7.329	7.336	.377	DW-H	40468	L	1.484	2.254	2.258	.250	4L
39887	T	6.204	7.330	7.336	.445	FW-H	40494S	S	1.750	2.502	2.506	.250	4S
39888	T	6.198	7.328	7.336	.445	FW-H	*40496S	S	2.500	3.350	3.355	.250	4S
39889	T	6.077	7.328	7.336	.445	W-H	*40504S	S	1.375	2.623	2.627	.250	4S
							*40519S	S	2.500	3.251	3.256	.250	4S
39890	T	6.077	7.328	7.336	.445	W-H	40520S	S	2.250	3.000	3.005	.250	4S
39893	T	9.052	10.709	10.720	.625	FW-H	40522S	S	1.375	2.000	2.004	.250	4S
39894	T	9.052	10.709	10.720	.625	FW-H	*40526S	S	1.937	3.155	3.160	.250	4S
39899	T	11.220	12.250	12.260	.945	#	40555	L	2.500	3.000	3.005	.250	4L
39900	T	11.220	12.250	12.260	.945	#	40555S	S	2.500	3.000	3.005	.250	4S
39904	T	1.312	1.828	1.833	.250	FF	40566S	S	2.125	2.875	2.879	.250	4S
39910	T	1.000	1.437	1.441	.250	W	40568S	S	1.625	2.625	2.629	.250	4S
39920	T	1.562	2.062	2.067	.188	FW-H	40576S	S	1.187	1.996	2.000	.250	4S
39925	T	1.781	2.500	2.505	.312	FW-H	*40627S	S	2.093	2.835	2.839	.250	4S
39926	T	95.00	172.00	172.09	28.00	W-H	40652S	S	1.250	2.000	2.004	.250	4S
		3.740	6.772	6.775	1.102		*40683S	S	1.250	1.874	1.878	.250	4S
39930	T	1.812	2.562	2.567	.315	FW-H	40769S	S	1.312	2.282	2.286	.250	4S
39952	T	4.646	5.751	5.756	.500	FW-H	40973S	S	2.093	3.150	3.156	.250	4S
39954	T	4.835	5.749	5.756	.375	DW-H	41013S	S	2.093	2.750	2.754	.250	4S
39956	T	5.997	7.125	7.131	.500	DW-H	41026S	S	2.375	3.000	3.005	.250	4S
39958	T	5.000	6.125	6.131	.500	FW-H	41075S	S	2.250	3.443	3.447	.250	4S
40000 SERIES							41081S	S	1.956	2.963	2.968	.250	4S
*40014S	S	.500	1.250	1.254	.250	4S	41163T	T	2.625	3.696	3.700	.500	FW-H
*40023S	S	.625	1.375	1.379	.250	4S	*41206S	S	1.750	2.374	2.378	.250	4S
40027S	S	.750	1.375	1.379	.250	4S	41224S	S	1.000	1.499	1.503	.250	4S
*40032S	S	.875	1.499	1.503	.250	4S	41257	L	1.500	1.989	1.993	.250	4L
*40053S	S	1.312	2.374	2.378	.250	4S	41264S	S	.625	1.250	1.254	.250	4S
40059S	S	1.500	2.374	2.378	.250	4S	41267S	S	.875	1.375	1.379	.250	4S
*40061S	S	1.375	2.437	2.441	.250	4S	41389S	S	.750	1.250	1.254	.250	4S
40063S	S	1.500	2.437	2.441	.250	4S	*41424S	S	2.000	2.623	2.627	.225	4S
*40066S	S	1.625	2.437	2.441	.250	4S	41442S	S	.500	.999	1.003	.250	4S
*40067S	S	1.500	2.502	2.506	.250	4S	41461S	S	1.500	2.623	2.627	.250	4S
40071S	S	1.875	2.623	2.627	.250	4S	*41465S	S	1.000	1.689	1.693	.250	4S
40085S	S	2.000	2.996	3.001	.250	4S	41466S	S	.625	1.124	1.128	.250	4S
40094S	S	1.937	3.189	3.194	.250	4S	41509	T	6.500	8.000	8.007	.625	PDW
*40097S	S	2.125	3.350	3.355	.250	4S	41510	T	6.500	8.000	8.007	.625	PDW
40101S	S	2.375	3.350	3.355	.250	4S	41526S	S	.500	1.124	1.128	.250	4S
*40120	L	1.000	1.499	1.503	.250	4L	41536	T	2.875	3.750	3.755	.500	PDW
40140S	S	1.250	1.752	1.756	.250	4S	41537	T	2.875	3.750	3.755	.500	PDW
40154S	S	1.687	2.502	2.506	.250	4S	*41785S	S	1.125	2.062	2.066	.250	4S
40157S	S	1.000	2.000	2.004	.250	4S	41787S	S	1.250	2.062	2.066	.250	4S
40160S	S	1.125	2.000	2.004	.250	4S	42081S	S	1.250	2.250	2.254	.250	4S
40162S	S	1.187	2.000	2.004	.250	4S	42101S	S	2.129	2.891	2.895	.250	4S
40169S	S	1.375	2.250	2.254	.250	4S	*42127S	S	2.187	2.835	2.839	.281	4S
*40183S	S	1.750	2.750	2.754	.250	4S	*42135S	S	1.625	2.623	2.627	.250	4S
40185	L	1.562	2.502	2.506	.250	4L	42260S	S	1.500	1.938	1.942	.250	4S
40208	L	.968	1.499	1.503	.250	4L	42280S	S	.875	1.250	1.254	.250	4S
40230S	S	1.000	1.752	1.756	.250	4S							

For Illustration and Material Data See Technical Section

Designed For A Specific Application - Not Recommended For General Use ▶ Hydrodynamic Lip Design-CW ◀ Hydrodynamic Lip Design-CCW
 ◀▶ Hydrodynamic Lip Design-Bidirectional © Seal & Installation Sleeve * Call 1-800-480-1212 For Price and Delivery ★ Metric Seal

Part No.	Lip Mat'l	Shaft Size	Hsg. Bore	Seal O.D.	Seal Width	Type/ Illus.	Part No.	Lip Mat'l	Shaft Size	Hsg. Bore	Seal O.D.	Seal Width	Type/ Illus.
40000 SERIES (cont.)							50000 SERIES (cont.)						
*42289	S	2.250	3.350	3.355	.250	4S	50126	L	1.406	2.125	2.129	.437	5L
42311S	S	1.000	1.437	1.441	.250	4S	50151S	S	1.125	1.561	1.565	.375	5S
42352S	S	1.750	2.250	2.254	.250	4S	*50160	S	1.125	2.000	2.004	.437	5S
*42364S	S	1.562	2.502	2.506	.250	4S	*50183	S	1.750	2.750	2.754	.500	5S
42421S	S	1.875	2.750	2.754	.250	4S	*50197	H	.375	.999	1.003	.375	5S
*42587S	S	2.250	3.500	3.505	.250	4S	50197S	S	.375	.999	1.003	.375	5S
*42686	S	2.468	3.236	3.241	.250	4S	*50199H	H	.437	.999	1.003	.375	5S
*42707S	S	2.375	3.112	3.117	.250	4S	*50199S	S	.437	.999	1.003	.375	5S
*42754S	S	1.625	2.750	2.754	.250	4S	50209	L	1.031	1.499	1.503	.390	5L
42763	S	1.375	2.282	2.286	.250	4S	50266	L	1.781	2.623	2.627	.500	5L
*42999S	S	2.000	2.875	2.879	.250	4S	50289	L	1.750	2.783	2.787	.531	5L
*43000S	S	2.125	2.875	2.879	.250	4S	*50317	S	2.312	3.251	3.256	.500	5S
43034S	S	2.250	2.875	2.879	.250	4S	50327	L	1.718	2.437	2.441	.468	5L
*43069S	S	1.170	2.000	2.004	.250	4S	*50350	S	2.375	3.371	3.376	.468	5S
*43070S	S	2.093	3.148	3.153	.250	4S	*50352	S	1.750	2.502	2.506	.250	5S
43071S	S	1.750	2.437	2.441	.250	4S	*50385	H	.375	.750	.754	.250	5S
43072S	S	1.125	1.564	1.568	.250	4S	50385S	S	.375	.750	.754	.250	5S
43073S	S	2.000	2.717	2.721	.250	4S	*50394	S	1.500	2.125	2.129	.437	5S
43074S	S	1.578	2.000	2.004	.250	4S	50395S	S	1.375	1.874	1.878	.437	5S
43076S	S	1.187	2.047	2.051	.250	4S	*50401	L	2.000	2.502	2.506	.500	5L
43077S	S	2.625	3.484	3.489	.250	4S	50402	L	1.375	2.282	2.286	.500	5L
43078S	S	1.500	2.192	2.196	.250	4S	*50403	S	1.375	2.062	2.066	.437	5S
43080S	S	.500	.875	.879	.218	4S	50445	L	.312	1.250	1.254	.375	5L
*43085S	S	2.000	2.996	3.001	.250	4S	50468	L	1.484	2.254	2.258	.312	5L
43086S	S	2.875	4.003	4.008	.250	4S	*50470	H	.437	.875	.879	.312	5S
*43088S	S	1.437	2.686	2.690	.250	4S	50470S	S	.437	.875	.879	.312	5S
43089S	S	1.375	2.374	2.378	.250	4S	*50506	L	.718	1.250	1.254	.375	5L
*43092S	S	1.750	2.623	2.627	.250	4S	50528	L	1.968	2.996	3.001	.500	5L
*43093S	S	1.312	2.000	2.004	.250	4S	50560	L	2.468	3.350	3.355	.468	5L
43095S	S	.500	.749	.753	.093	4S	50568➔	T	1.625	2.625	2.629	.500	5S
43109S	S	2.312	3.065	3.070	.281	4S	50569	T	1.625	2.625	2.629	.500	5S
43290S	S	2.500	3.125	3.130	.250	4S	*50606	L	1.062	1.686	1.690	.375	5L
*43361★	S	19.00	47.63	47.73	6.35	4S	50631	L	2.218	3.350	3.355	.468	5L
		.748	1.875	1.879	.250		*50737	S	2.250	3.189	3.194	.437	5S
*43493★	S	30.00	62.00	62.15	6.35	4S	*50776	S	1.375	2.686	2.690	.500	5S
		1.181	2.441	2.447	.250		51032S	S	1.281	1.752	1.756	.375	5S
*43670	S	2.000	3.148	3.153	.250	4S	51083	L	1.250	1.752	1.756	.375	5L
*43808	S	1.500	2.716	2.720	.250	4S	51098	S	1.500	2.502	2.506	.437	48
44052	S	2.255	3.312	3.317	.380	4S	51098L**	L	1.500	2.502	2.506	.435	5L
44053	S	1.821	2.623	2.627	.250	4S	*51265S	S	2.000	3.150	3.155	.500	5S
45013S	S	3.000	4.003	4.008	.250	4S	51322	S	1.365	2.081	2.085	.435	5S
45031S	S	3.750	4.999	5.004	.250	4S	*53809S	S	.344	.999	1.003	.375	5S
45187S	S	4.000	4.876	4.881	.250	4S	*55014	L	3.000	4.249	4.254	.625	5L
45525S	S	3.500	4.125	4.130	.250	4S	*55014S	S	3.000	4.249	4.254	.625	5S
45637S	S	4.687	6.002	6.007	.250	4S	55028	L	3.562	4.999	5.004	.468	5L
45653S	S	1.937	3.500	3.505	.250	4S	55030	L	3.687	4.999	5.004	.468	5L
45825S	S	3.125	3.751	3.756	.250	4S	*55060	L	4.375	6.250	6.256	.562	5L
45827S	S	2.750	3.501	3.505	.250	4S	*55060S	S	4.375	6.250	6.256	.562	5S
46997S	S	2.750	3.751	3.756	.250	4S	55078S	S	9.750	11.250	11.260	.750	5S
*47010S	S	3.625	4.249	4.254	.250	4S	*55095S	S	2.375	3.500	3.505	.500	5S
47150S	S	4.250	5.250	5.256	.250	4S	55103S	S	16.250	18.000	18.010	.750	45
*47314S	S	2.375	3.750	3.755	.250	4S	*55173	S	3.500	4.751	4.756	.625	5S
*47757	S	3.375	4.376	4.381	.250	4S	55236	L	3.250	4.718	4.723	.468	5L
48144	S	.500	.999	1.003	.250	#	55238	L	2.750	4.999	5.004	.468	5L
48146	S	.625	1.124	1.128	.250	#	55301S	S	9.000	10.000	10.010	.750	45
50000 SERIES													
*50004	L	.468	1.124	1.128	.375	5L	*55331	S	3.375	4.501	4.506	.625	5S
*50009	L	.625	1.124	1.128	.375	5L	55337	L	2.250	3.876	3.881	.468	5L
*50010	L	.375	1.250	1.254	.375	5L	55353	L	3.625	4.839	4.844	.500	5L
*50027	V	.750	1.375	1.379	.406	5L	55357	L	5.437	6.749	6.757	.625	5L
*50041S	S	1.000	1.828	1.832	.437	5S	55419	L	3.437	4.501	4.506	.625	5L
*50070	S	1.750	2.623	2.627	.500	5S	*55431	L	3.375	4.718	4.723	.468	5L
50081	L	1.718	2.875	2.879	.468	5L	55469	S	2.750	3.935	3.940	.500	5L
*50097	S	2.125	3.350	3.355	.468	5S	*55511S	S	2.843	3.939	3.944	.500	5S
*50099	L	2.250	3.350	3.355	.468	5L	*55522	S	4.375	-	3.127	.500	5S
*50099S	S	2.250	3.350	3.355	.468	5S	55524	L	2.000	4.003	4.008	.468	5L
*50103	S	2.375	3.481	3.486	.500	5S	55548	L	3.000	4.626	4.631	.500	5L
							55563➔	T	3.250	4.003	4.008	.468	5S
							*55690	S	3.125	4.625	4.631	.562	5S

NUMERICAL SECTION

For Illustration and Material Data See Technical Section

Designed For A Specific Application - Not Recommended For General Use ➔ Hydrodynamic Lip Design-CW ** Canada Only * Call 1-800-480-1212 For Price and Delivery

★ Metric Seal

Numerical List Size & Type
NATIONAL®

Part No.	Lip Mat'l	Shaft Size	Hsg. Bore	Seal O.D.	Seal Width	Type/Illus.	Part No.	Lip Mat'l	Shaft Size	Hsg. Bore	Seal O.D.	Seal Width	Type/Illus.
50000 SERIES (cont.)							20000 SERIES						
*55829	S	2.375	3.623	3.628	.359	5S	200110	S	2.058	3.149	3.154	.270	200
*55857	L	2.375	3.601	3.606	.437	5L	*200118	S	3.478	4.922	4.927	.468	200
*57831	S	4.062	6.191	6.197	.625	5S	*200122	S	2.748	3.937	3.942	.305	200
70000 SERIES													
*70135S	S	1.375	2.125	2.129	.812	7S	200133%	S	3.000	4.524	4.600	.433	200E
*73289S	S	.750	1.375	1.379	.500	7S	*200167	S	3.410	5.251	5.257	.500	200
*75149S	S	2.625	3.751	3.756	.875	7S	*200169	S	1.812	2.718	2.727	.400	200
75251S	S	4.812	5.751	5.756	.750	7S	*200188	S	3.875	6.000	6.006	.390	200
*75464H	H	5.312	6.500	6.507	1.033	7S	*200198	S	4.125	6.296	6.302	.390	200
*75549H	H	4.000	4.999	5.004	.625	7S	*200204	S	3.500	4.864	4.964	.321	200
*75658	N	5.187	6.500	6.507	1.093	7S	*200303	S	1.750	3.149	3.154	.291	200
*75658H	H	5.187	6.500	6.507	1.093	7S	200322★	S	75.00	120.00	120.12	8.13	200
*75963S	S	3.750	4.751	4.757	.875	7S			2.953	4.724	4.729	.320	
*76894S	S	3.000	5.000	5.006	.859	7S	*200334	S	1.812	2.874	2.878	.290	200
*77286H	H	5.500	6.625	6.632	.670	7S	200335	S	1.750	2.623	2.627	.290	200
*77322H	H	6.312	7.500	7.507	.690	7S	200338	S	1.250	2.000	2.004	.290	200
*77322V	V	6.312	7.500	7.507	.690	7S	200339	S	2.000	2.875	2.879	.290	200
*77558H	H	4.625	5.501	5.506	.655	7S	*200346	S	2.125	3.543	3.548	.320	200
*77685H	H	5.187	6.500	6.507	.812	7S	200354	S	1.750	2.718	2.722	.359	200
*77929H	H	4.125	4.999	5.004	.625	7S	200371	S	1.945	2.891	2.895	.290	200
*77938	S	3.125	4.003	4.008	.790	7S	200392	S	2.625	3.813	3.818	.415	200
*77980	S	4.250	5.250	5.253	.790	7S	*200396	S	1.937	2.875	2.879	.290	200
*77993T	S	3.720	4.756	4.766	.640	7S	*200397	S	2.437	3.149	3.154	.291	200
*78021➔	S	4.812	5.751	5.757	.512	7S	200600%	S	1.750	2.786	2.876	.285	200E
*78021T◀	S	4.812	5.751	5.757	.812	7S	200603%	S	3.625	4.695	4.810	.395	200E
*78048	T	4.173	5.374	5.390	.690	7S	200640%	S	1.562	2.531	2.621	.285	200E
80000 SERIES													
80313%	S	2.062	3.250	3.310	.500	200E	200641%	S	1.625	2.462	-	.250	200E
80330%	L	2.500	3.371	3.435	.500	8L	200642%	S	4.750	6.002	6.092	.285	200
*84082%	S	3.437	4.625	4.725	.484	8S	200752%	S	1.873	2.716	2.806	.281	200E
100000 SERIES													
*100052T★◀	T	91.01	111.00	111.13	10.01	FW-H	200763%	S	2.250	3.249	3.250	.285	200E
100058➔	T	2.156	2.880	2.885	.375	W	*200766%	S	3.062	4.230	4.350	.390	200E
100085★◀	T	97.99	114.94	115.32	15.75	#	*200799%	S	4.000	5.375	5.475	.375	200E
100086	V	1.880	3.169	3.176	.480	#	200851%	S	2.496	3.672	3.772	.315	200E
100165★	S	35.00	57.00	57.30	15.27	#	200854%	S	1.750	2.718	2.728	.294	200E
		1.378	2.244	2.246	.601		200855%	S	2.375	3.471	3.616	.290	200E
*100202T◀	T	2.991	3.622	3.637	.385	FW-H	*200856%	S	4.550	5.500	5.570	.350	200
*100203T★◀	T	95.00	114.99	115.32	12.50	FW-H	200859%	S	1.500	2.256	-	.270	200
		3.740	4.527	4.540	.492		200861%	S	1.500	2.462	2.482	.290	200E
*100204T◀	T	3.625	4.240	4.256	.390	FW-H	200865%	S	2.065	3.130	3.130	.294	200E
*100205T◀	T	3.750	4.501	4.506	.362	FW-H	200870%	S	3.249	4.468	4.488	.318	200E
*100239T★◀	T	88.00	108.00	108.36	11.10	FW-H	*200875%	S	4.750	6.437	6.457	.359	200E
		3.465	4.252	4.266	.437		*200878%	S	3.500	4.921	5.021	.321	200E
*100253&	T	4.375	5.755	5.705	.840	#	*200880%	S	3.249	4.536	4.556	.315	200E
100263➔	V	3.003	4.937	4.948	.788	08	200881%	S	2.000	2.804	2.824	.294	200E
*100266V◀	V	2.750	3.543	3.549	.500	#	200885%	S	1.991	2.900	2.975	.290	200E
*100355	N	3.250	-	4.325	.404	#	200886%	S	1.687	2.650	2.725	.290	200E
100357	V	1.705	3.034	3.039	.562	86	200887%	S	1.562	2.237	2.257	.290	200E
*100373	N	3.003	3.951	3.961	.289	#	*200888%	S	2.496	3.715	3.745	.315	200E
100400V	V	3.350	4.250	4.280	.635	08	*200895%	S	1.751	2.533	2.608	.290	200E
*100406	N	3.003	4.028	4.038	.302	#	*200897%	S	2.058	2.062	3.325	.290	200E
*100459T	T	.634	1.246	1.255	.300	#	200912%	S	1.750	2.630	2.930	.290	200E
*100467★➔	T	85.00	-	102.57	25.40	#	*200919%	S	2.625	3.660	3.960	.320	200E
		3.346	-	4.038	1.000		*200922%	S	3.375	4.500	4.800	.315	200E
100470	T	2.129	2.835	2.846	.323	#	200929%	S	2.250	3.400	3.700	.280	200E
100494➔	V	3.253	4.249	4.260	.635	08	*200939%	S	2.390	3.260	3.300	.294	200E
100495	V	3.003	3.751	3.761	.420	08	*200940%	S	2.250	3.000	3.060	.290	200E
100557➔	V	3.253	5.500	5.511	.635	08	200942%	S	2.750	3.846	3.928	.290	200E
100675	V	1.875	3.161	3.165	.695	72	*200947%	S	4.000	5.510	5.560	.320	200E
100712V	V	1.874	3.159	3.163	.500	#	*200958%	S	1.875	2.687	2.762	.280	200E
100715V	V	1.874	3.159	3.163	.500	#	*200961%	S	3.500	4.864	4.964	.321	200E
100727	V	2.500	4.035	4.042	.492	#	203000 SERIES						
							203002	S	1.750	2.717	2.721	.406	203
							203003	S	1.125	1.937	1.942	.562	203
							*203004	S	1.125	1.937	1.942	.625	203
							203005	S	1.000	1.780	1.785	.468	203
							203006	S	1.812	2.561	2.566	.500	203
							*203007	S	1.750	2.440	2.445	.468	203
							203008	S	1.687	2.327	2.332	.500	203
							203012	S	1.250	1.968	1.972	.468	203

For Illustration and Material Data See Technical Section

Designed For A Specific Application - Not Recommended For General Use ➔ Hydrodynamic Lip Design-CW ◀ Hydrodynamic Lip Design-CCW % External Bore & Flanged O.D. * Call 1-800-480-1212 For Price and Delivery ★ Metric Seal

Part No.	Lip Mat'l	Shaft Size	Hsg. Bore	Seal O.D.	Seal Width	Type/ Illus.	Part No.	Lip Mat'l	Shaft Size	Hsg. Bore	Seal O.D.	Seal Width	Type/ Illus.
203000 SERIES (cont.)							220000 SERIES (cont.)						
203013	S	1.500	2.327	2.332	.406	203	220860★	S	8.00	16.00	16.20	7.00	35
203015	S	1.750	2.562	2.566	.500	203			.315	.630	.638	.276	
203016	S	1.218	1.968	1.972	.468	203	220918★	S	9.00	18.00	18.20	7.00	35
203020	S	1.125	1.780	1.785	.468	203			.354	.709	.717	.276	
203025	S	1.218	1.979	1.983	.406	203	221040★	S	10.00	19.00	19.20	7.00	35
203029	S	1.250	1.979	1.983	.406	203			.394	.748	.756	.276	
203034	S	1.875	2.995	3.000	.437	203	221122★	S	11.00	22.00	22.23	7.00	35
*203041	S	1.687	2.561	2.566	.500	203			.433	.866	.875	.276	
*203045	S	1.250	1.780	1.785	.468	203	221207★	S	12.00	22.00	22.25	7.00	35
*203055	S	1.187	1.968	1.972	.468	203			.472	.866	.876	.276	
*203071	S	1.812	2.561	2.566	.437	203	221208★	V	12.00	22.00	22.25	7.00	35
204000 SERIES									.472	.866	.876	.276	
204002	S	1.750	2.716	2.721	.406	204	221410★	S	14.00	24.00	24.23	7.00	35
204005	S	1.000	1.780	1.785	.468	204			.551	.945	.954	.276	
*204007	S	1.750	2.440	2.445	.468	204	221510★	N	15.00	25.00	25.25	6.00	32
204008	S	1.687	2.327	2.332	.500	204			.591	.984	.994	.236	
*204009	S	2.093	2.716	2.721	.406	204	221540★	S	15.00	30.00	30.23	7.00	35
*204012	S	1.250	1.968	1.972	.468	204			.591	1.181	1.190	.276	
204013	S	1.500	2.327	2.332	.406	204	221607★	N	16.00	27.00	27.20	14.00	#
*204015	S	1.750	2.561	2.566	.500	204			.630	1.063	1.071	.551	
204017	S	1.625	2.327	2.332	.406	204	221610★	N	16.00	28.00	28.23	7.00	32
204020	S	1.125	1.780	1.785	.468	204			.630	1.102	1.111	.276	
*204024	S	1.250	1.979	1.983	.468	204	221620★	S	16.00	30.00	30.23	7.00	35
204027	S	1.375	2.327	2.332	.406	204			.630	1.181	1.190	.276	
204029	S	1.250	1.979	1.983	.406	204	221710★	S	17.00	28.00	28.23	7.00	35
204035	S	2.296	3.148	3.153	.359	204			.669	1.102	1.111	.276	
204038	S	1.750	2.716	2.721	.359	204	221720★	S	17.00	30.00	30.23	8.00	32
*204047	S	1.875	3.149	3.154	.359	204			.669	1.181	1.190	.276	
*204075	S	1.625	2.327	2.332	.440	204	221730★	S	17.00	32.00	32.22	7.00	35
*204078	S	2.093	2.716	2.721	.359	204			.669	1.260	1.269	.276	
*204079	S	1.937	2.562	2.566	.437	204	221735★	S	17.00	35.00	35.18	7.00	35
*204084	S	1.062	2.750	2.754	.437	204			.669	1.378	1.385	.276	
204500	S	1.625	2.562	2.566	.250	4S	221820★➔	S	18.00	30.00	30.23	9.00	32
204501	S	1.750	3.000	3.005	.250	204			.709	1.181	1.190	.354	
204502	S	1.750	2.561	2.565	.250	204	221830★	S	18.00	32.00	32.22	8.00	35
204503	S	1.750	2.374	2.379	.250	204			.709	1.260	1.269	.315	
204505	S	1.125	1.780	1.785	.250	204	221920★	S	19.00	30.00	30.20	7.00	32
204506	S	2.000	3.623	3.628	.250	204			.748	1.181	1.189	.276	
204507	S	1.250	1.979	1.983	.250	204	221922★	S	19.00	32.00	32.20	8.00	32
204508	S	2.000	3.062	3.066	.250	204			.748	1.260	1.268	.315	
204509	S	5.000	6.250	6.256	.250	204	221925★	S	19.00	36.00	36.23	6.50	35
205000 SERIES									.748	1.417	1.426	.256	
205004	F	1.125	1.937	1.942	.625	205	222020★	S	20.00	32.00	32.23	7.00	35
205005	F	1.000	1.780	1.785	.468	205			.787	1.260	1.269	.276	
*205006	F	1.812	2.561	2.566	.500	205	222025★	S	20.00	30.00	30.28	7.00	32
*205009★	F	53.00	69.00	69.11	10.30	205			.787	1.181	1.192	.276	
		2.087	2.717	2.721	.406		222028★◀	S	20.00	34.00	34.25	7.00	32
*205011	F	1.062	1.938	1.942	.625	205			.787	1.339	1.348	.276	
205015	F	1.750	2.562	2.566	.500	205	222030★➔	S	20.00	35.00	35.23	5.50	32
205017	F	1.625	2.328	2.332	.406	205			.787	1.378	1.387	.217	
*205020	F	1.125	1.781	1.785	.468	205	222036★	V	20.00	36.00	36.20	7.00	32
*205027	F	1.375	2.328	2.332	.406	205			.787	1.417	1.425	.276	
205035	F	2.296	3.148	3.153	.359	205	222050★	S	20.00	40.00	40.23	7.00	35
205044	F	2.000	2.964	2.968	.500	205			.787	1.575	1.584	.276	
*205051	F	1.718	2.562	2.566	.500	205	222060★	S	20.00	47.00	47.20	7.00	35
*205058	F	2.000	2.562	2.566	.500	205			.787	1.850	1.858	.276	
210000 SERIES									.866	1.260	1.269	.276	
210295	S	1.937	2.875	2.879	.687	21	222210★	S	22.00	32.00	32.23	7.00	35
*210914	S	1.500	3.125	3.130	.625	21			.866	1.260	1.269	.276	
210945	S	1.750	3.371	3.376	.625	21	222220★	S	22.00	35.00	35.23	7.00	32
*215271	S	5.000	5.999	6.007	.937	21			.866	1.378	1.387	.276	
*216239	S	7.000	8.500	8.507	1.031	21	222238★	S	22.00	38.00	38.20	8.00	32
220000 SERIES									.866	1.496	1.504	.315	
220818★	S	8.00	18.00	18.20	7.00	32	222240★	S	22.00	40.00	40.23	7.00	35
		.315	.709	.717	.276				.866	1.575	1.584	.276	
							222242★	N	22.00	40.00	40.23	12.00	32
									.866	1.575	1.584	.472	
							222267★◀	H	22.00	45.00	45.20	8.00	32
									.866	1.772	1.780	.315	
							222270★	S	22.00	47.00	47.23	7.00	35
									.866	1.850	1.859	.276	

NUMERICAL SECTION

For Illustration and Material Data See Technical Section

Designed For A Specific Application - Not Recommended For General Use ➔ Hydrodynamic Lip Design-CW ◀ Hydrodynamic Lip Design-CCW

* Call 1-800-480-1212 For Price and Delivery ★ Metric Seal

Numerical List Size & Type

NATIONAL®



Part No.	Lip Mat'l	Shaft Size	Hsg. Bore	Seal O.D.	Seal Width	Type/Illus.	Part No.	Lip Mat'l	Shaft Size	Hsg. Bore	Seal O.D.	Seal Width	Type/Illus.
220000 SERIES (cont.)							220000 SERIES (cont.)						
222310★	S	23.00	32.00	32.20	5.00	34	223250★➔	S	32.00	50.00	50.23	8.00	32
		.905	1.260	1.268	.197				1.260	1.969	1.978	.315	
222330★◄	N	23.00	34.00	34.23	8.00	32	223252★◄	N	32.00	52.00	52.28	11.00	32
		.905	1.339	1.348	.315				1.260	2.047	2.058	.433	
222340★➔	N	23.00	40.00	40.23	7.00	32	223253★➔	N	32.00	53.00	53.28	7.00	32
		.905	1.575	1.584	.276				1.260	2.087	2.098	.276	
222410★	S	24.00	35.00	35.23	7.00	35	223255★	S	32.00	52.00	52.28	7.00	35
		.945	1.378	1.387	.276				1.260	2.047	2.058	.276	
222430★	S	24.00	40.00	40.23	7.00	35	223340★➔	S	33.00	47.00	47.20	8.00	32
		.945	1.575	1.584	.276				1.299	1.850	1.858	.315	
222450★	S	24.00	43.00	43.23	8.00	25	223400★	N	34.00	44.00	44.23	8.00	32
		.945	1.693	1.702	.315				1.339	1.732	1.741	.315	
222510★	S	25.00	35.00	35.25	7.00	35	223410★	S	34.00	48.00	48.28	7.50	35
		.984	1.378	1.388	.276				1.339	1.890	1.901	.295	
222535★	S	25.00	38.00	38.23	7.00	32	223420★➔	N	34.00	48.00	48.28	8.00	32
		.984	1.496	1.505	.276				1.339	1.890	1.901	.315	
222540★	S	25.00	40.00	40.22	7.00	47	223430★➔	N	34.00	50.00	50.20	8.00	35
		.984	1.575	1.583	.276				1.339	1.969	1.976	.315	
222556★➔	H	25.00	42.00	42.30	8.00	32	223440★	N	34.00	53.00	53.28	8.00	32
		.984	1.654	1.665	.315				1.339	2.087	2.098	.315	
222558★	S	25.00	44.00	44.20	7.00	32	223462★	S	34.00	62.00	62.20	10.00	35
		.984	1.732	1.740	.276				1.339	2.441	2.449	.394	
222580★	S	25.00	62.00	62.28	10.00	32	223510★	S	35.00	47.00	47.23	7.00	35
		.984	2.441	2.452	.394				1.378	1.850	1.859	.276	
222630★	N	26.00	38.00	38.20	8.00	32	223520★	S	35.00	50.00	50.24	8.00	35
		1.024	1.496	1.504	.315				1.378	1.969	1.978	.315	
222655★	S	26.00	48.00	48.23	7.00	32	223535★	S	35.00	52.00	52.13	8.00	33
		1.024	1.890	1.899	.276				1.378	2.047	2.052	.315	
222742★	V	27.00	42.00	42.10	7.00	48	223540★◄➔	N	35.00	55.00	55.45	8.00	40
		1.063	1.654	1.657	.276				1.378	2.165	2.183	.315	
222743★◄	H	27.00	43.00	43.20	9.00	32	223542★	N	35.00	55.00	55.23	11.00	32
		1.063	1.693	1.701	.354				1.378	2.165	2.174	.433	
222745★➔	N	27.00	45.00	45.25	9.00	32	223543★	S	35.00	56.00	56.27	10.00	32
		1.063	1.772	1.781	.354				1.378	2.205	2.215	.394	
222820★	S	28.00	40.00	40.34	7.00	33	223550★	S	35.00	58.00	58.10	10.00	45
		1.102	1.575	1.588	.276				1.378	2.283	2.287	.394	
222830★◄	N	28.00	41.00	41.27	7.00	32	223551★	S	35.00	60.00	60.23	10.00	35
		1.102	1.614	1.625	.276				1.378	2.362	2.371	.394	
222835★	N	28.00	44.00	44.20	6.00	32	223552★	S	35.00	62.00	62.28	9.50	32
		1.102	1.732	1.740	.236				1.378	2.441	2.452	.374	
222860★➔	N	28.00	47.00	47.22	8.00	32	223553★➔	N	35.00	62.00	62.28	9.00	40
		1.102	1.850	1.859	.315				1.378	2.441	2.452	.354	
223005★	S	30.00	40.00	40.23	7.00	48	223554★	S	35.00	63.00	63.28	10.00	#
		1.181	1.575	1.584	.276				1.378	2.480	2.491	.394	
223010★➔	S	30.00	42.00	42.20	7.00	32	223555★	N	35.00	64.00	64.13	8.00	47
		1.181	1.654	1.661	.276				1.378	2.520	2.525	.315	
223012★➔	N	30.00	44.00	44.20	7.00	32	223580★➔	S	35.00	68.00	68.16	9.00	40
		1.181	1.732	1.740	.276				1.378	2.677	2.683	.354	
223014★	S	30.00	45.00	45.20	6.00	32	223601★	S	36.00	47.00	47.20	7.00	35
		1.181	1.772	1.780	.236				1.417	1.850	1.858	.276	
223018★	S	30.00	46.00	46.23	7.00	32	223602★➔	N	36.00	49.00	49.28	7.00	32
		1.181	1.811	1.820	.276				1.417	1.929	1.940	.276	
223020★	S	30.00	47.00	47.25	8.00	35	223605★	S	36.00	50.00	50.08	7.00	47
		1.181	1.850	1.860	.315				1.417	1.969	1.972	.276	
223035★	S	30.00	52.00	52.18	7.00	35	223608★◄	S	36.00	52.00	52.20	10.00	32
		1.181	2.047	2.054	.276				1.417	2.047	2.055	.394	
223050★➔	S	30.00	50.00	50.23	7.00	32	223610★	S	36.00	54.00	54.28	7.50	35
		1.181	1.969	1.978	.276				1.417	2.126	2.137	.295	
223210★	S	32.00	40.00	40.15	5.00	34	223620★➔	S	36.00	68.00	68.18	8.00	48
		1.260	1.575	1.581	.197				1.417	2.677	2.684	.315	
223215★◄	S	32.00	42.00	42.20	10.00	32	223750★➔	N	37.00	50.00	50.25	6.00	32
		1.260	1.654	1.661	.394				1.457	1.969	1.978	.236	
223220★➔	N	32.00	44.00	44.23	6.00	32	223800★➔	N	38.00	50.00	50.28	10.50	32
		1.260	1.732	1.741	.236				1.496	1.969	1.980	.413	
223230★	S	32.00	45.00	45.23	7.00	32	223801★	S	38.00	50.00	50.28	8.00	32
		1.260	1.772	1.781	.276				1.496	1.969	1.980	.315	
223235★	N	32.00	46.00	46.23	6.00	32	223802★➔	N	38.00	50.00	50.25	6.00	32
		1.260	1.811	1.820	.236				1.496	1.969	1.978	.236	
223240★	N	31.50	48.00	48.20	9.00	40	223805★	S	38.00	47.00	47.10	7.00	25
		1.260	1.890	1.898	.354				1.496	1.850	1.854	.276	

For Illustration and Material Data See Technical Section

Designed For A Specific Application - Not Recommended For General Use ➔ Hydrodynamic Lip Design-CW ◄ Hydrodynamic Lip Design-CCW

◄➔ Hydrodynamic Lip Design-Bidirectional ★ Metric Seal

Part No.	Lip Mat'l	Shaft Size	Hsg. Bore	Seal O.D.	Seal Width	Type/ Illus.	Part No.	Lip Mat'l	Shaft Size	Hsg. Bore	Seal O.D.	Seal Width	Type/ Illus.
220000 SERIES (cont.)							220000 SERIES (cont.)						
223822	S	1.496	2.087	.000	.315	32	224462★↔	S	44.00	62.00	62.26	8.00	32
223830★	N	38.00	55.00	55.28	7.00	35			1.732	2.441	2.451	.315	
		1.496	2.165	2.176	.276		224464★◀	N	44.00	62.00	62.28	10.00	32
223831★➔	N	38.00	55.00	55.30	9.00	32			1.732	2.441	2.452	.394	
		1.496	2.165	2.177	.354		224465★➔	S	44.00	65.00	65.20	11.00	32
223840★	S	38.00	58.00	58.11	8.00	47			1.732	2.559	2.567	.433	
		1.496	2.283	2.288	.315		224470★	S	44.00	72.00	72.11	10.00	35
223842★	V	38.00	58.00	58.11	8.00	48			1.732	2.835	2.839	.394	
		1.496	2.283	2.288	.315		224510★	S	45.00	58.00	58.30	7.00	32
223843★	S	38.00	60.00	60.35	10.00	35			1.772	2.283	2.295	.276	
		1.496	2.362	2.376	.394		224520★	S	45.00	60.00	60.25	10.00	35
224010★	S	40.00	52.00	52.28	7.00	35			1.772	2.362	2.372	.394	
		1.575	2.047	2.058	.276		224550★	S	45.00	65.00	65.28	8.00	35
224015★	S	40.00	52.00	52.28	7.00	32			1.772	2.559	2.570	.315	
		1.575	2.047	2.058	.276		224560★	S	45.00	68.00	68.28	7.00	32
224020★➔	S	40.00	55.00	55.28	9.00	32			1.772	2.677	2.688	.276	
		1.575	2.165	2.176	.315		224570★	S	45.00	72.00	72.28	12.00	35
224025★➔	N	40.00	56.00	56.25	7.00	32			1.772	2.835	2.846	.472	
		1.575	2.205	2.215	.276		224650★➔	N	46.00	58.00	58.28	7.00	32
									1.811	2.283	2.294	.276	
224026★	V	40.00	56.00	56.26	9.00	35							
		1.575	2.205	2.215	.354		224660★➔	H	46.00	60.00	60.28	7.00	32
224040★	S	40.00	60.00	60.20	10.00	35			1.811	2.362	2.373	.276	
		1.575	2.362	2.370	.394		224662★	S	46.00	62.00	62.10	8.00	35
224045★	S	40.00	62.00	62.27	11.00	32			1.811	2.441	2.445	.315	
		1.575	2.441	2.452	.433		224663★➔	N	46.00	63.00	63.40	7.70	35
224052★➔	H	40.00	52.00	52.28	7.00	32			1.811	2.480	2.496	.303	
		1.575	2.047	2.058	.276		224772★	S	47.00	72.00	72.23	8.00	48
224053	V	1.575	2.047	.000	.276	32			1.850	2.835	2.844	.315	
224063★➔	N	40.00	63.00	63.30	8.00	32			1.890	2.441	2.452	.315	
		1.575	2.480	2.492	.315		224810★	N	48.00	62.00	62.28	8.00	32
224066★➔	N	40.00	66.00	66.30	8.00	40			1.890	2.441	2.452	.315	
		1.575	2.598	2.610	.315		224815★	N	48.00	74.00	74.30	10.00	40
224068★	N	40.00	68.00	68.10	9.00	40			1.890	2.913	2.925	.394	
		1.575	2.677	2.681	.354		224820★	S	48.00	62.00	62.10	8.00	32
224100★	S	40.00	65.00	65.28	10.00	35			1.890	2.441	2.445	.315	
		1.575	2.559	2.570	.394		224835★	N	48.00	68.00	68.27	10.00	32
224150★	N	41.00	54.00	54.23	7.00	35			1.890	2.677	2.688	.394	
		1.614	2.126	2.135	.276		224840★➔	S	48.00	68.00	68.30	11.00	32
									1.890	2.677	2.689	.433	
224200★	S	42.00	55.00	55.20	7.50	32			1.890	2.835	2.846	.394	
		1.654	2.165	2.173	.295		224850★	S	48.00	72.00	72.28	10.00	32
224205★➔	N	42.00	55.00	55.33	9.00	32			1.890	2.835	2.846	.394	
		1.654	2.165	2.178	.354		224865★	S	48.00	65.00	65.20	10.00	32
224210★	S	42.00	55.00	55.28	8.00	35			1.890	2.559	2.567	.394	
		1.654	2.165	2.176	.315		224870★	S	48.00	73.00	73.10	7.00	47
224215★◀	N	42.00	58.00	58.28	8.00	32			1.890	2.874	2.878	.276	
		1.654	2.283	2.294	.315		224872★	S	48.00	72.00	72.35	8.50	32
224220★	S	42.00	56.00	56.21	7.00	49			1.890	2.835	2.848	.335	
		1.654	2.205	2.213	.276		224874★	S	48.00	74.00	74.23	10.00	32
224235★	S	42.00	58.00	58.18	7.00	48			1.890	2.913	2.922	.394	
		1.654	2.283	2.291	.276		224979★➔	N	49.00	79.00	79.10	17.50	47
224250★	S	42.00	62.00	62.27	8.00	35			1.929	3.110	3.114	.689	
		1.654	2.441	2.452	.315		225005★	S	50.00	62.00	62.28	7.00	32
224252★	S	42.00	62.00	62.27	10.00	32			1.969	2.441	2.452	.276	
		1.654	2.441	2.452	.394		225008★	S	50.00	62.00	62.10	9.00	47
224254★	S	42.00	64.00	64.18	6.00	34			1.969	2.441	2.445	.354	
		1.654	2.520	2.527	.236		225010★	S	50.00	65.00	65.28	8.00	47
224255★	N	42.00	65.00	65.15	10.00	47			1.969	2.559	2.565	.315	
		1.654	2.559	2.565	.394		225020★➔	V	50.00	68.00	68.28	9.00	32
									1.969	2.677	2.688	.354	
224266★	S	42.00	66.00	66.28	10.00	32			1.969	2.720	2.728	8.00	35
		1.654	2.598	2.609	.394		225030★	S	50.00	72.00	72.28	8.00	35
224270★	S	42.00	72.00	72.27	10.00	32			1.969	2.835	2.846	.315	
		1.654	2.835	2.845	.394		225035★	S	50.00	72.00	72.35	10.00	32
224320★	S	43.00	62.00	62.10	9.50	47			1.969	2.835	2.848	.394	
		1.693	2.441	2.445	.374		225040★➔	S	50.00	72.00	72.35	12.00	32
224400★	S	43.00	54.00	54.10	6.50	25			1.969	2.835	2.848	.472	
		1.693	2.126	2.130	.256		225050★	S	50.00	80.00	80.28	8.00	35
224450★➔	N	44.00	59.00	59.23	6.80	35			1.969	3.150	3.161	.315	
		1.732	2.323	2.332	.268		225082★	S	50.00	82.00	82.18	11.50	#
224460★➔	H	44.00	60.00	60.28	10.00	32			1.969	3.228	3.235	.453	
		1.732	2.362	2.373	.394		225110★	S	51.00	65.00	65.10	7.00	47
									2.008	2.559	2.563	.276	

NUMERICAL SECTION

For Illustration and Material Data See Technical Section
 # Designed For A Specific Application - Not Recommended For General Use ➔ Hydrodynamic Lip Design-CW ◀ Hydrodynamic Lip Design-CCW
 ↔ Hydrodynamic Lip Design-Bidirectional ★ Metric Seal

Numerical List Size & Type

NATIONAL®



Part No.	Lip Mat'l	Shaft Size	Hsg. Bore	Seal O.D.	Seal Width	Type/Illus.	Part No.	Lip Mat'l	Shaft Size	Hsg. Bore	Seal O.D.	Seal Width	Type/Illus.
220000 SERIES (cont.)							220000 SERIES (cont.)						
225208★	S	52,00	65,00	65,20	9,00	32	226510★➔	N	65,00	81,00	81,28	7,00	32
		2.047	2.559	2.567	.354				2.559	3.189	3.200	.276	
225210★	N	52,00	66,00	66,23	9,00	35	226520★	S	65,00	85,00	85,27	10,00	35
		2.047	2.598	2.607	.354				2.559	3.346	3.357	.394	
225220★	S	52,00	68,00	68,28	8,00	32	226530★	S	65,00	90,00	90,28	10,00	35
		2.047	2.677	2.688	.315				2.559	3.543	3.554	.394	
225225★	S	52,00	70,00	70,27	8,00	47	226610★	N	66,00	80,00	80,11	9,00	41
		2.047	2.756	2.767	.315				2.598	3.150	3.154	.354	
225227★	S	56,00	72,00	72,27	12,50	#	226820★➔	H	68,00	86,00	86,31	8,00	32
		2.205	2.835	2.845	.492				2.677	3.386	3.398	.315	
225230★	S	52,00	72,00	72,28	8,00	35	226840★	V	68,00	95,00	95,30	13,00	#
		2.047	2.835	2.846	.315				2.677	3.740	3.752	.512	
225275★	S	52,00	75,00	75,11	7,50	66	227020★◄	H	70,00	88,00	88,25	12,00	32
		2.047	2.953	2.957	.295				2.756	3.465	3.474	.472	
225278★	N	52,00	78,00	78,28	9,00	35	227040★◄	H	70,00	90,00	90,32	10,00	35
		2.047	3.071	3.082	.354				2.756	3.543	3.556	.394	
225410★	S	54,00	66,00	66,23	7,50	#	227045★	H	70,00	92,00	92,23	12,00	32
		2.126	2.598	2.607	.295				2.756	3.622	3.631	.472	
225420★	S	54,00	72,00	72,25	10,00	32	227235★◄	H	72,00	96,00	96,28	9,00	32
		2.126	2.835	2.844	.394				2.835	3.780	3.791	.354	
225450★	S	54,00	82,00	82,30	10,00	32	227409★◄	H	74,00	90,00	90,15	10,00	32
		2.126	3.228	3.240	.394				2.913	3.543	3.549	.394	
225460★	S	54,00	85,00	85,25	10,00	32	227410★➔	H	74,00	98,00	98,20	12,00	32
		2.126	3.346	3.356	.394				2.913	3.858	3.866	.472	
225500★	S	55,00	68,00	68,30	8,00	32	227530★	S	75,00	95,00	95,28	10,00	35
		2.165	2.677	2.689	.315				2.953	3.740	3.751	.394	
225505★	S	55,00	70,00	70,27	9,00	32	227540★	S	75,00	100,00	100,20	12,00	32
		2.165	2.756	2.767	.394				2.953	3.937	3.945	.472	
225530★	S	55,00	72,00	72,25	8,00	35	227550★◄	H	75,00	100,00	100,27	13,00	32
		2.165	2.835	2.844	.315				2.953	3.937	3.948	.472	
225535★	S	55,00	72,00	72,20	10,50	32	227610★➔	H	76,00	98,00	98,20	12,00	32
		2.165	2.835	2.843	.413				2.992	3.858	3.866	.472	
225540★%	S	52,00	70,00	70,27	7,50	#	228005★◄	V	80,00	96,00	96,28	9,00	32
		2.047	2.756	2.767	.295				3.150	3.780	3.791	.354	
225545★	S	55,00	75,00	75,35	10,00	35	228008★◄	V	80,00	98,00	98,40	10,00	32
		2.165	2.953	2.967	.394				3.150	3.858	3.874	.394	
225650★◄➔	S	56,00	72,00	72,29	11,50	32	228009★◄	H	80,00	100,00	100,23	10,00	32
		2.205	2.835	2.846	.453				3.150	3.937	3.946	.394	
225673★	S	56,00	73,00	73,23	7,50	#	228010★◄	H	80,00	100,00	100,35	13,00	32
		2.205	2.874	2.883	.295				3.150	3.937	3.951	.512	
225678★	S	56,00	78,00	78,28	7,50	#	228011★◄	V	80,00	100,00	100,20	10,00	32
		2.205	3.071	3.082	.295				3.150	3.937	3.945	.394	
225775★	S	56,00	75,00	75,33	8,00	#	228015★➔	H	80,00	100,00	100,20	10,00	32
		2.205	2.953	2.966	.315				3.150	3.937	3.945	.394	
225872★	S	58,00	72,00	72,18	8,00	33	228020★	S	80,00	105,00	105,27	14,00	32
		2.283	2.835	2.842	.315				3.150	4.134	4.144	.551	
225874★	N	58,00	74,00	74,12	13,00	101	228025	S	3.150	4.134	4.144	.551	32
		2.283	2.913	2.918	.512		228030★	S	80,00	110,00	110,28	12,00	35
225875★	S	58,00	75,00	75,28	11,00	32			3.150	4.331	4.342	.472	
		2.283	2.953	2.964	.433		228250★◄	H	83,00	100,00	100,20	9,00	32
225877★	N	58,00	77,00	77,28	8,50	35			3.268	3.937	3.945	.354	
		2.283	3.031	3.043	.335		228410★◄	V	84,00	104,00	104,28	11,00	32
225880★	S	58,00	80,00	80,28	8,00	32			3.307	4.094	4.106	.433	
		2.283	3.150	3.161	.315		228411	V	3.307	4.094	.000	.394	32
225885	N	2.165	2.953	.000	.394	32	228480★◄	H	82,00	105,00	105,30	13,00	#
226001★◄	V	60,00	74,00	74,10	10,00	25			3.228	4.134	4.146	.512	
		2.362	2.913	2.917	.394		228520★	S	85,00	110,00	110,28	12,00	35
226015★◄	N	60,00	75,00	75,33	9,00	32			3.346	4.331	4.342	.472	
		2.362	2.953	2.966	.354		228700★◄	H	87,00	100,00	100,20	8,00	32
226018★	N	60,00	78,00	78,28	8,00	35			3.425	3.937	3.945	.315	
		2.362	3.071	3.082	.315		229004★◄	H	89,00	109,00	109,20	9,00	32
226020★	S	60,00	80,00	80,29	8,00	35			3.504	4.291	4.299	.354	
		2.362	3.150	3.161	.315		229005★◄	V	90,00	110,00	110,31	12,00	32
226150★	S	61,00	76,00	76,28	7,00	#			3.543	4.331	4.343	.472	
		2.402	2.992	3.003	.276		229006★◄	H	90,00	110,00	110,20	9,00	32
226285★	S	62,00	85,00	85,13	8,00	41			3.543	4.331	4.339	.354	
		2.441	3.346	3.352	.315		229010★◄	H	90,00	110,00	110,31	8,50	32
226480★◄	H	64,00	80,00	80,20	8,00	33			3.543	4.331	4.343	.335	
		2.520	3.150	3.157	.315		229210★◄➔	V	91,00	110,00	110,26	8,50	32
									3.583	4.331	4.341	.335	

For Illustration and Material Data See Technical Section

Designed For A Specific Application - Not Recommended For General Use ➔ Hydrodynamic Lip Design-CW ◄ Hydrodynamic Lip Design-CCW

◄➔ Hydrodynamic Lip Design-Bidirectional % External Bore ★ Metric Seal

Part No.	Lip Mat'l	Shaft Size	Hsg. Bore	Seal O.D.	Seal Width	Type/ Illus.	Part No.	Lip Mat'l	Shaft Size	Hsg. Bore	Seal O.D.	Seal Width	Type/ Illus.
220000 SERIES (cont.)							250000 SERIES (cont.)						
229520★	S	95.00	130.00	130.28	12.00	35	252277	S	1.000	1.375	1.379	.250	25
		3.740	5.118	5.129	.472		*252277V	V	1.000	1.375	1.379	.250	25
229522	S	1.969	2.618	.000	.610	40	*252317	S	.812	1.367	1.372	.312	25
230000 SERIES							290000 SERIES						
231002★	S	100.00	120.00	120.28	12.00	35	*252450	S	.750	1.311	1.315	.312	25
		3.937	4.724	4.735	.472		253099	S	1.500	1.874	1.879	.250	25
231003★	S	100.00	125.00	125.28	12.00	35	*253610	S	2.375	2.873	2.877	.312	25
		3.937	4.921	4.932	.472		253747	S	.625	.875	.880	.125	25
231004★	H	100.00	120.00	120.12	11.00	32	*253752★	S	57.00	67.00	67.11	6.00	25
		3.937	4.724	4.735	.433			2.244	2.638	2.642	.236		
231052★	H	105.00	120.00	120.20	11.00	32	254270	S	.750	1.124	1.129	.187	25
		4.134	4.724	4.732	.433		254287	S	.875	1.250	1.255	.250	25
231204★	S	120.00	145.00	145.28	12.00	35	*254287V	V	.875	1.250	1.255	.250	25
		4.724	5.709	5.720	.472		*255566H	H	3.250	4.125	4.130	.500	25
231250★	S	125.00	150.00	150.28	12.00	35	*255833	S	3.625	4.725	4.730	.312	25
		4.921	5.906	5.917	.472		*256616	S	8.625	9.778	9.786	.625	25
231402★	S	140.00	160.00	160.27	13.00	35	*256656	S	8.125	8.750	8.757	.375	25
		5.512	6.299	6.310	.512		*256936N	N	2.750	3.500	3.505	.567	25
231405★	S	140.00	170.00	170.28	15.00	35	310000 SERIES						
		5.512	6.693	6.704	.591		*310385	S	.375	.750	.754	.250	31
*231905★	S	190.00	220.00	220.35	16.00	35	310841	S	2.750	3.125	3.130	.187	31
		7.480	8.661	8.675	.630		311189	S	.375	.687	.691	.156	31
239128★	S	38.00	52.00	52.20	9.00	#	*311189N	N	.375	.687	.691	.156	31
		1.496	2.047	2.055	.354		*311197	S	.621	.937	.941	.187	31
239129★	S	73.00	86.00	86.28	5.00	#	312140	S	1.125	1.502	1.506	.250	31
		2.874	3.386	3.397	.197		312196	S	.500	.843	.848	.250	31
239134★	S	37.00	78.00	78.30	12.00	#	*312260	S	1.500	1.938	1.942	.250	31
		1.457	3.071	3.083	.472		312518	S	.750	1.000	1.005	.125	31
239146★	S	38.00	54.00	54.30	7.00	48	*313043	S	.750	1.187	1.191	.156	31
		1.496	2.126	2.138	.276		313156	N	.562	.810	.814	.187	31
239155	S	1.772	2.520	2.530	.472	#	*313156N	N	.562	.810	.814	.187	31
239201★&	S	40.00	52.00	52.20	6.50	32	*313290	S	2.500	3.125	3.130	.250	31
		1.575	2.047	2.055	.256		313842	S	1.125	1.438	1.444	.215	31
240000 SERIES							320000 SERIES						
*240005	S	.500	1.124	1.134	.175	24	*320242	V	.697	1.220	1.227	.204	32
*240007	S	.562	1.124	1.135	.175	24	320249★➡	V	35.00	48.00	48.21	7.60	32
240009	S	.625	1.124	1.135	.175	24		1.378	1.890	1.898	.299		
240023	S	.625	1.375	1.385	.175	24	320259➡	V	2.005	2.878	2.888	.340	32
240119	S	.500	.999	1.010	.175	24	320348★➡	V	32.00	45.00	45.21	6.00	32
240151	S	1.125	1.561	1.572	.187	24		1.260	1.772	1.780	.236		
240215	S	.875	1.624	1.634	.187	24	320457	S	.472	1.000	1.006	.375	32
240319	S	1.500	2.000	2.010	.187	24	*320510V	V	1.937	2.500	2.510	.374	32
*240319N	N	1.500	2.000	2.010	.187	24	*320552V	V	2.375	3.125	3.138	.500	32
240356	S	1.250	1.686	1.697	.187	24							
240385	S	.375	.750	.760	.175	24							
*240385N	N	.375	.750	.760	.175	24							
240414	S	1.000	1.437	1.447	.187	24							
240435	S	.250	.750	.760	.175	24							
240457	S	.984	1.828	1.838	.187	24							
240462	S	1.000	1.936	1.948	.187	24							
*240462N	N	1.000	1.936	1.948	.187	24							
240470	S	.437	.875	.885	.175	24							
240698	S	.312	.625	.635	.175	24							
240716	S	1.312	1.752	1.760	.187	24							
240731	S	1.000	1.250	1.260	.125	24							
240733	S	.875	1.124	1.135	.125	24							
240735	S	.750	.999	1.010	.156	24							
240736	S	1.250	1.499	1.509	.156	24							
*240791	S	.625	1.124	1.135	.175	24							
*240791N	N	.625	1.124	1.135	.175	24							
240816	S	.750	1.062	1.072	.187	24							
240949	S	1.250	1.250	1.838	.187	24							
250000 SERIES													
*250416	S	.625	1.000	1.004	.250	25							
250437V	V	1.156	1.575	1.580	.312	25							
*250861V	V	.875	1.260	1.265	.250	25							
251511	S	1.250	1.625	1.630	.188	25							

NUMERICAL SECTION

For Illustration and Material Data See Technical Section
 # Designed For A Specific Application - Not Recommended For General Use ➡ Hydrodynamic Lip Design-CW & Flanged O.D. * Call 1-800-480-1212 For Price and Delivery
 ★ Metric Seal

Numerical List Size & Type

NATIONAL®



Part No.	Lip Mat'l	Shaft Size	Hsg. Bore	Seal O.D.	Seal Width	Type/Illus.	Part No.	Lip Mat'l	Shaft Size	Hsg. Bore	Seal O.D.	Seal Width	Type/Illus.	
320000 SERIES (cont.)							320000 SERIES (cont.)							
*320563★	V	42.00	60.00	60.22	7.00	32	*327995V	V	2.991	3.622	3.637	.380	32	
320564★	V	45.00	68.00	68.28	7.00	32	330000 SERIES							
*320567	S	1.772	2.677	2.688	.276	32	*330356	S	1.250	1.686	1.691	.375	33	
320583★➔	S	43.00	60.00	60.30	8.00	32	330385	S	.375	.750	.754	.250	33	
320595★	S	1.693	2.362	2.374	.315	32	330414	S	1.000	1.437	1.441	.250	33	
320603★➔	S	29.00	45.00	45.23	8.00	32	*330414N	N	1.000	1.437	1.441	.250	33	
320691★↔	V	1.142	1.772	1.781	.315	32	*330480	S	1.375	1.828	1.832	.375	33	
*320832★	S	25.00	37.00	37.26	7.00	32	*330480N	N	1.375	1.828	1.832	.375	33	
*320833★	S	.984	1.457	1.467	.276	32	330663	S	1.375	1.874	1.878	.312	33	
*320834★	S	3.228	3.918	3.928	.500	32	*330663N	N	1.375	1.874	1.878	.312	33	
*320857★	S	48.00	62.00	62.20	8.00	32	330699	S	.500	.875	.879	.187	33	
*321150	S	1.890	2.441	2.449	.315	32	*330749	S	1.562	2.062	2.066	.250	33	
321267	S	38.00	52.00	52.25	8.50	32	*330749N	N	1.562	2.062	2.066	.250	33	
321416	N	1.496	2.047	2.057	.335	32	330749V	V	1.562	2.062	2.066	.250	33	
321417N	N	38.00	74.00	74.27	11.00	32	*330867H	H	2.125	2.875	2.879	.375	33	
321460	S	1.496	2.913	2.924	.433	32	*331107	S	2.000	2.746	2.750	.375	33	
*321471	S	35.00	56.00	56.27	10.00	32	*331107H	H	2.000	2.746	2.750	.375	33	
321516	S	1.378	2.205	2.215	.394	32	331107N	H	2.000	2.746	2.750	.375	33	
322353	S	1.625	2.374	2.385	.375	32	331173	S	.701	1.160	1.164	.250	33	
322373	S	.875	1.375	1.381	.250	32	331227H➔	H	1.875	2.624	2.628	.375	33	
323119	S	1.500	2.055	2.065	.276	32	331228H➔	N	1.500	2.249	2.253	.360	75	
323125	S	1.417	1.953	1.961	.276	32	331301N	N	2.000	2.562	2.566	.528	33	
323126	S	1.781	2.251	2.259	.375	32	*331356★	S	50.00	62.00	62.08	6.00	33	
323133	S	.984	1.834	1.842	.250	32	1.969	2.441	2.444	.236	33			
323138	S	1.375	1.828	1.834	.250	32	*331882	S	1.937	2.686	2.690	.500	33	
*323715★	S	1.000	2.441	2.447	.375	32	332062➔	S	1.869	2.518	2.522	.375	33	
*323871★	S	1.250	1.687	1.693	.250	32	332134	S	2.062	2.561	2.565	.312	33	
324112	S	1.500	2.250	2.260	.312	32	*332271N	N	2.330	3.000	3.005	.400	33	
*324115N★	N	1.750	2.715	2.721	.437	32	*333860★	S	28.00	46.89	47.00	8.00	33	
*324151★	S	1.375	2.717	2.723	.375	32	1.102	1.846	1.850	.315	33			
*324151N★	N	1.250	1.685	1.691	.252	32	334111★	S	43.00	54.00	54.10	7.50	33	
*324186★	S	1.125	1.781	1.787	.406	32	1.693	2.126	2.130	.295	33			
324204★➔	V	323138	1.375	1.828	1.834	.250	32	*335821	S	4.500	5.250	5.256	.437	33
324234V	V	42.00	60.00	60.22	7.00	32	*335821H	H	4.500	5.250	5.256	.437	33	
324939	S	1.654	2.362	2.371	.276	32	*335924	S	4.000	4.562	4.568	.375	33	
324941	S	45.00	61.90	62.00	10.00	32	335924N	N	4.000	4.562	4.568	.375	33	
*325088	S	1.772	2.437	2.441	.394	32	*336665H	H	6.125	6.750	6.757	.375	33	
*325277T➔	T	32.00	46.00	46.20	6.00	32	337426N	N	9.250	10.250	10.258	.500	33	
*325277TL↔	T	1.260	1.811	1.819	.236	32	340000 SERIES							
*325378↔➔	V	25.00	40.00	40.31	8.00	32	340009S	S	.625	1.124	1.130	.250	34	
325776	V	.984	1.575	1.587	.315	32	340120	S	1.000	1.499	1.507	.250	34	
*325940	S	1.375	2.166	2.176	.485	32	340136	S	1.500	2.250	2.258	.250	34	
*325978	S	52.00	68.00	68.43	10.00	32	*340136H	H	1.500	2.250	2.258	.250	34	
327215	S	2.047	2.677	2.694	.394	32	340151	S	1.125	1.561	1.569	.250	34	
327303	S	39.00	57.00	57.38	9.65	32	340210	S	1.062	1.499	1.507	.250	34	
*327934↔➔	T	39.00	57.00	57.38	9.65	32	340356	S	1.250	1.686	1.696	.218	34	
*327958↔➔	V	1.535	2.244	2.259	.380	32	340385	S	.375	.750	.756	.250	34	
*327984↔	V	.500	1.010	1.017	.204	32	340387	S	.625	.812	.820	.093	34	
*327985T↔	T	1.625	2.116	2.127	.312	32	340400	S	1.750	2.250	2.258	.250	34	
327995★↔	V	1.750	2.566	2.574	.311	32	*340400H	H	1.750	2.250	2.258	.250	34	
		3.000	4.490	4.508	.562	32	340413	S	.875	1.308	1.316	.250	34	
		4.687	6.500	6.514	.500	32	340469	S	.656	1.250	1.258	.250	34	
		4.687	6.500	6.514	.500	32	*340469N	N	.656	1.250	1.258	.250	34	
		4.687	5.750	5.762	.565	32	340483	S	.875	1.250	1.256	.250	34	
		4.330	5.118	5.130	.396	32	340495	S	.750	1.124	1.133	.250	34	
		12.750	13.625	13.635	.562	32	340724	S	.614	.999	1.006	.250	34	
		2.812	3.500	3.510	.430	32	340771	S	.490	.875	.883	.250	34	
		4.000	4.998	5.006	.500	32	340787	S	.937	1.375	1.383	.250	34	
		4.500	5.251	5.259	.437	32	*340787N	N	.937	1.375	1.383	.250	34	
		4.812	5.750	5.762	.580	32	340797	S	.593	.935	.943	.175	34	
		5.187	6.500	6.512	.500	32	340815	S	1.125	1.494	1.505	.250	34	
		5.312	6.500	6.513	.500	32	340817	S	1.187	1.627	1.635	.250	34	
		5.312	6.500	6.513	.500	32	340823	S	1.875	2.502	2.511	.250	34	
		76.00	92.00	92.28	9.60	32	340826	S	.312	.500	.506	.125	34	
		2.992	3.622	3.633	.378	32	340827	S	.375	.562	.568	.125	34	
							340835	S	1.125	1.375	1.381	.125	34	

For Illustration and Material Data See Technical Section

➔ Hydrodynamic Lip Design-CW ↔ Hydrodynamic Lip Design-CCW ↔ Hydrodynamic Lip Design-Bidirectional * Call 1-800-480-1212 For Price and Delivery ★ Metric Seal

Part No.	Lip Mat'l	Shaft Size	Hsg. Bore	Seal O.D.	Seal Width	Type/ Illus.	Part No.	Lip Mat'l	Shaft Size	Hsg. Bore	Seal O.D.	Seal Width	Type/ Illus.
340000 SERIES (cont.)							350000 SERIES (cont.)						
340847	S	.500	.750	.756	.125	34	*351518	S	1.362	2.241	2.249	.250	35
340849	S	.625	.875	.883	.093	34	351646	S	.875	1.624	1.630	.250	35
340850	S	.875	1.187	1.193	.187	34	352354	S	1.375	1.874	1.880	.250	32
340853	S	1.375	1.750	1.756	.187	34	352444	S	1.437	2.062	2.068	.250	35
340872	S	.156	.500	.504	.187	34	352521	S	1.500	2.000	2.006	.250	32
340900	S	2.093	2.716	2.725	.250	34	352541	S	2.000	2.502	2.508	.250	35
340927	S	1.562	2.096	2.102	.250	34	352560	S	1.125	1.561	1.567	.250	35
340930	S	1.437	2.000	2.006	.125	34	352637	S	2.250	3.035	3.044	.375	35
*340980	S	1.500	2.062	2.066	.240	34	353120	S	1.875	2.397	2.403	.250	35
341022	S	2.250	2.625	2.636	.187	34	353131	S	.812	1.375	1.381	.250	35
*341119★	S	58.00	80.98	81.18	6.35	34	353132	S	.875	1.308	1.314	.250	35
		2.283	3.188	3.196	.250		353135	S	1.250	1.686	1.692	.219	35
*341518	S	1.362	2.241	2.249	.250	34	353137	S	1.281	2.000	2.006	.250	35
*342047	S	.390	.750	.756	.250	34	353141	S	1.687	2.279	2.285	.250	35
*342214	S	1.312	1.750	1.758	.250	34	*353676★	S	50.00	68.00	68.28	8.00	35
342517	S	1.000	1.312	1.318	.125	34			1.969	2.677	2.688	.315	
342518	S	.750	1.000	1.005	.125	34	354040	T	1.750	2.500	2.508	.375	35
342613	S	.500	.875	.881	.125	34	354041	T	1.771	2.622	2.628	.500	35
342614	S	.500	.875	.881	.250	34	354967	S	2.950	3.741	3.752	.394	35
342805	S	.500	.687	.693	.093	34	355200	S	4.500	5.501	5.511	.500	35
343098	S	1.000	1.247	1.253	.187	34	*355305	S	3.500	4.501	4.511	.528	35
343099	S	1.500	1.874	1.880	.250	34	*355305N	N	3.500	4.501	4.511	.528	35
343101	S	.437	.624	.633	.125	34	355526	S	3.000	3.876	3.885	.500	35
343104	S	.250	.499	.505	.187	34	*355590V★↔	V	116.50	135.00	135.30	13.00	35
343105	S	.625	.936	.942	.187	34			4.587	5.315	5.327	.512	
343123	S	1.000	1.563	1.569	.187	34	355660H	H	3.622	4.331	4.342	.394	35
343185	S	.750	1.125	1.131	.156	34	355669	S	3.040	3.937	3.946	.250	35
343186	S	1.250	1.499	1.505	.125	34	355732	S	2.500	4.250	4.260	.500	35
345035	S	4.000	4.999	5.008	.312	34	*355737	S	2.125	3.547	3.557	.375	35
345146	S	3.500	4.499	4.508	.250	34	*357971V	V	5.748	6.751	6.763	.500	35
*345214	S	4.812	6.000	6.010	.250	34							
*345214H	H	4.812	6.000	6.010	.250	34	360000 SERIES						
345448	S	5.250	6.250	6.260	.250	34	365008%	S	2.687	3.876	3.876	.250	36
*345703	S	3.250	4.330	4.340	.250	34							
*345887	S	2.500	3.750	3.759	.250	34							
350000 SERIES							370000 SERIES						
350156	S	.375	.874	.883	.312	35	370001A	S	3.500	4.842	4.848	.925	09
*350319	S	1.500	2.000	2.010	.437	35	370002A	S	3.500	5.000	5.006	1.000	03
350364	S	.312	.750	.756	.250	35	370003A	S	4.765	6.311	6.318	1.078	11
*350385	S	.375	.750	.756	.250	35	370004A	S	4.812	6.500	6.507	.865	03
350394	S	1.500	2.125	2.134	.437	35	370005A	S	4.765	6.251	6.265	.605	09
350414	S	1.000	1.437	1.445	.250	35	370006A	S	4.765	6.999	7.006	1.250	03
350435	S	.250	.750	.758	.250	35	370007A	S	4.875	6.373	6.379	.921	03
*350509★	S	15.00	25.00	25.22	7.00	35	370008A	S	3.937	5.372	5.378	1.015	11
		.591	.984	.993	.276		370009A	S	3.937	5.501	5.507	.937	03
350567	S	.875	1.375	1.385	.312	35	370010A	S	2.875	4.125	4.130	.842	01
350572★	V	40.00	72.00	72.35	7.00	35	370011A	S	3.625	5.000	5.014	.875	05
		1.575	2.835	2.848	.276		370012A	S	3.625	4.810	4.823	.921	07
350609★↔	N	44.00	68.00	68.30	8.00	35	370013A	S	3.312	5.000	5.006	.937	03
		1.732	2.677	2.689	.315		370014A	S	3.125	4.500	4.506	.605	06
*350612★	V	40.00	56.00	56.26	7.00	35	370015A	S	4.000	5.375	5.381	1.000	03
		1.575	2.205	2.215	.276		370018A	S	3.250	4.500	4.506	.605	06
350679	S	.750	1.250	1.258	.312	35	370019A	S	4.375	6.251	6.256	.605	06
350823	S	1.875	2.502	2.506	.328	35	370020A	S	4.500	6.000	6.007	.984	03
*350858★	S	52.00	72.00	72.28	8.00	35	370021A	S	4.500	6.251	6.265	.610	09
		2.047	2.835	2.846	.315		370022A	S	4.500	5.750	5.756	.960	09
350877	S	.875	1.575	1.581	.250	35	370023A	S	3.875	5.690	5.706	.875	11
*350878	S	1.281	1.997	2.005	.375	35	370024A	S	3.875	5.501	5.515	.875	11
350909	S	1.000	1.502	1.510	.312	35	370025A	S	4.625	5.999	6.008	.840	11
350936	S	1.875	2.561	2.571	.312	35	370026A	S	4.635	6.007	6.014	.937	03
*350936N	N	1.875	2.561	2.571	.312	35	370027A	S	4.812	6.311	6.316	1.062	03
350954	S	.750	1.250	1.256	.250	35	370028A	S	5.000	6.250	6.256	1.375	01
350974	S	1.125	1.850	1.859	.312	35	370029A	S	3.187	5.000	5.006	.765	03
351028	S	.490	1.122	1.132	.265	35	370030A	S	4.265	6.064	6.071	.605	06
351255	S	.625	1.375	1.381	.250	35	370031A	S	4.250	6.250	6.256	1.188	09
351267	S	.875	1.375	1.381	.250	35	370033A	S	3.875	5.126	5.132	.605	06
351466	S	.625	1.124	1.130	.250	35	370034A	S	4.375	6.311	6.317	1.090	03
351487	S	.625	.999	1.005	.250	35	370036A	S	4.000	5.757	5.772	.930	09
							370037A	S	4.375	5.757	5.763	1.000	03
							370038A	S	5.000	7.437	7.444	.605	06

NUMERICAL SECTION

For Illustration and Material Data See Technical Section

↔ Hydrodynamic Lip Design-CCW ↔ Hydrodynamic Lip Design-Bidirectional % External Bore * Call 1-800-480-1212 For Price and Delivery ★ Metric Seal

Numerical List Size & Type

NATIONAL®



Part No.	Lip Mat'l	Shaft Size	Hsg. Bore	Seal O.D.	Seal Width	Type/ Illus.	Part No.	Lip Mat'l	Shaft Size	Hsg. Bore	Seal O.D.	Seal Width	Type/ Illus.
370000 SERIES (cont.)							380000 SERIES (cont.)						
370039A	S	5.500	7.437	7.444	1.000	03	380023A	T	3.875	5.690	5.706	.770	10
370043A	S	5.500	7.125	7.132	1.187	03	380025A	T	4.625	5.999	6.005	.937	10
370046A	S	3.125	4.625	4.631	.605	06	380031A	T	4.250	6.250	6.256	1.188	10
370047A	S	3.437	4.755	4.761	.605	06	380036A	T	4.000	5.757	5.772	.930	10
370048A	S	4.375	5.905	5.911	1.000	03	380048A	T	4.375	5.905	5.918	1.015	10
370051A	S	4.625	6.622	6.629	1.093	03	380065A	T	4.250	6.000	6.008	1.000	10
370054A	S	2.875	4.175	4.181	.822	03	380069A	T	5.250	7.375	7.386	1.000	3
370057A	S	4.875	6.437	6.444	.921	03	380131A	T	4.500	5.876	5.892	.984	10
370063A	S	5.000	6.250	6.256	.605	06	386025A	T	4.625	.000	5.998	.580	10
370064A	S	5.625	7.186	7.194	.906	03	386590A	T	4.252	6.007	6.048	.580	10
370065A	S	4.250	6.008	6.022	1.000	09	390000 SERIES						
370066A	S	4.000	5.626	5.632	.605	06	*392076	S	2.231	3.371	3.376	.812	#
370069A	S	5.250	7.375	7.386	1.000	03	*392077	S	1.996	2.996	3.001	.812	#
*370077A	S	6.000	7.875	7.881	.605	06	*395068	S	4.875	6.250	6.256	.812	#
370078A	S	4.500	6.622	6.629	1.093	03	*396412	S	8.345	10.750	10.758	1.125	#
*370082A	S	7.375	9.054	9.063	1.062	03	*396440	S	8.000	10.000	10.008	1.145	#
370086A	S	4.500	6.310	6.316	1.175	03	*396487	S	2.930	4.375	4.380	1.120	#
*370087A	S	4.000	5.248	5.254	.605	06	410000 SERIES						
370094A	S	4.125	5.375	5.381	.605	06	*410005	S	.500	1.124	1.128	.375	41
370106A	S	4.166	5.500	5.506	.605	06	*410007	S	.562	1.124	1.128	.375	41
370107A	S	4.250	6.035	6.047	.915	03	*410009	S	.625	1.124	1.128	.375	41
370109A	S	4.875	6.622	6.629	1.000	03	*410009N	N	.625	1.124	1.128	.375	41
370119A	S	5.640	7.501	7.507	.605	06	*410009N	N	.625	1.124	1.128	.375	41
370120A	S	5.500	7.250	7.256	1.187	03	*410014	S	.500	1.250	1.254	.375	41
370121A	S	4.875	6.500	6.506	1.000	03	*410016	S	.562	1.250	1.254	.375	41
370124A	S	4.500	5.374	5.391	.984	07	*410018	S	.625	1.250	1.254	.375	41
*370127A	S	2.752	3.937	3.942	.565	#	*410019	S	.500	1.375	1.379	.406	41
370131A	S	4.500	5.876	5.892	.984	11	*410021	S	.562	1.375	1.379	.406	41
370132A	S	3.500	4.543	4.558	.788	07	*410023	S	.625	1.375	1.379	.406	41
370145A	S	3.125	4.174	4.188	.500	07	*410025	S	.687	1.375	1.379	.406	41
*370149A	S	6.625	8.007	8.014	.605	06	*410027	S	.750	1.375	1.379	.406	41
370150A	S	2.875	3.875	3.889	.500	07	*410028	S	.750	1.499	1.503	.390	41
*370151A	S	7.875	10.234	10.242	.605	06	*410032	S	.875	1.499	1.503	.390	41
*370154A	S	5.000	7.000	7.006	1.000	03	*410033	S	.750	1.828	1.832	.437	41
*370155A	S	2.740	3.937	3.942	.565	06	*410037	S	.875	1.828	1.832	.437	41
370165A	S	3.875	5.376	5.381	.985	03	*410040	S	.968	1.828	1.832	.437	41
370166A	S	5.000	6.622	6.629	1.093	03	*410041	S	1.000	1.828	1.832	.437	41
370169A	S	3.500	4.751	4.757	.605	07	*410045	S	1.125	1.828	1.832	.437	41
370173A	S	4.765	6.250	6.257	1.050	01	*410047	S	1.187	1.983	1.987	.437	41
370175A	S	7.250	8.750	8.758	.605	06	*410049	S	1.250	1.983	1.987	.437	41
370178A	S	4.500	5.500	5.515	.675	07	*410052	S	1.187	2.062	2.066	.437	41
370179A	S	3.500	4.450	4.456	.843	07	*410053	S	1.312	2.374	2.378	.500	41
370181A	S	4.765	5.999	6.006	1.031	01	*410055	S	1.375	2.374	2.378	.500	41
370182A	S	4.375	5.905	5.910	1.000	08	*410057	S	1.437	2.374	2.378	.500	41
370191A	S	3.312	4.501	4.506	.605	06	410059	S	1.500	2.374	2.378	.500	41
370192A	S	4.500	6.441	6.447	.937	03	*410059H	H	1.500	2.374	2.378	.500	41
370195A	S	4.875	6.001	6.015	.625	07	*410059N	N	1.500	2.374	2.378	.500	41
370198A	S	4.040	5.122	5.130	.945	09	*410060	S	1.531	2.374	2.378	.500	41
370199A	V	2.359	3.938	3.952	.575	09	*410060V	V	1.531	2.374	2.378	.500	41
370211A	S	2.948	4.725	4.738	.526	07	*410061	S	1.375	2.437	2.441	.468	41
370212A	V	3.539	5.277	5.291	.604	07	*410062	S	1.437	2.437	2.441	.468	41
370215A	V	5.000	7.000	7.015	1.130	#	*410063	S	1.500	2.437	2.441	.468	41
370216A	S	4.625	5.999	6.006	.890	11	*410064	S	1.562	2.437	2.441	.468	41
370219A	S	2.250	3.372	3.377	.475	12	*410064H	H	1.562	2.437	2.441	.468	41
370220A★	S	119.99	150.01	150.16	14.99	11	*410066	S	1.625	2.437	2.441	.468	41
		4.724	5.906	5.912	.590		*410067	S	1.500	2.502	2.506	.500	41
*370223A	S	2.938	3.750	3.765	.530	#	*410067H	H	1.500	2.502	2.506	.500	41
*370224A	S	4.768	6.999	7.039	.735	02	*410069	S	1.625	2.623	2.627	.500	41
370338A=	S	4.375	5.757	5.798	.600	02	*410070	S	1.750	2.623	2.627	.500	41
370349A=	S	4.000	5.757	5.798	.600	02	*410070N	N	1.750	2.623	2.627	.500	41
370352A	S	2.750	3.779	3.792	.767	08	*410071	S	1.875	2.623	2.627	.500	41
376590A=	S	4.250	6.048	6.048	.680	04	*410071N	N	1.875	2.623	2.627	.500	41
380000 SERIES							*410074	S	1.687	2.686	2.690	.500	41
380001A	T	3.500	4.842	4.847	.910	10	*410076	S	1.750	2.686	2.690	.500	41
380003A	T	4.765	6.311	6.318	1.132	10	*410077	S	1.500	2.758	2.762	.500	41
380009A	T	3.937	5.501	5.507	.937	03	*410080	S	1.687	2.875	2.879	.468	41
380022A	T	4.500	5.750	5.756	.960	10	*410082	S	1.875	2.875	2.879	.468	41
							*410082H	H	1.875	2.875	2.879	.468	41

For Illustration and Material Data See Technical Section

Designed For A Specific Application - Not Recommended For General Use = w/Metal ID * Call 1-800-480-1212 For Price and Delivery ★ Metric Seal

Part No.	Lip Mat'l	Shaft Size	Hsg. Bore	Seal O.D.	Seal Width	Type/ Illus.	Part No.	Lip Mat'l	Shaft Size	Hsg. Bore	Seal O.D.	Seal Width	Type/ Illus.
410000 SERIES (cont.)							410000 SERIES (cont.)						
*410083	S	2.000	2.875	2.879	.468	41	*410169N	N	1.375	2.250	2.254	.500	41
*410083N	N	2.000	2.875	2.879	.468	41	*410171	S	1.437	2.250	2.254	.500	41
*410084	S	1.875	2.996	3.001	.500	41	*410177	S	1.250	2.106	2.110	.468	41
410085	S	2.000	2.996	3.001	.500	41	*410179	S	1.312	2.106	2.110	.468	41
*410085H	H	2.000	2.996	3.001	.500	41	*410182	S	1.125	1.983	1.987	.437	41
410085N	N	2.000	2.996	3.001	.500	41	*410183	S	1.750	2.750	2.754	.500	41
*410085V	V	2.000	2.996	3.001	.500	41	410183N	N	1.750	2.750	2.754	.500	41
*410086	S	1.687	3.062	3.066	.500	41	*410185	S	1.562	2.502	2.506	.500	41
*410087	S	1.750	3.061	3.066	.500	41	*410186	S	1.687	2.750	2.754	.500	41
*410088	S	1.750	3.189	3.194	.437	41	*410187	S	1.000	2.062	2.066	.437	41
*410088N	N	1.750	3.189	3.194	.437	41	*410189	S	1.125	1.752	1.756	.437	41
*410090	S	1.812	3.189	3.194	.437	41	410190	S	1.500	2.561	2.565	.500	41
*410092	S	1.875	3.189	3.194	.437	41	*410194	S	1.625	2.502	2.506	.500	41
*410094	S	1.937	3.189	3.194	.437	41	410194V	V	1.625	2.502	2.506	.500	41
*410095	S	2.000	3.189	3.194	.437	41	*410202	S	.562	.999	1.003	.375	41
*410097	S	2.125	3.350	3.355	.468	41	*410202N	N	.562	.999	1.003	.375	41
*410097N	N	2.125	3.350	3.355	.468	41	*410203	S	.781	1.375	1.379	.406	41
*410097V	V	2.125	3.350	3.355	.468	41	*410205	S	.687	1.499	1.503	.390	41
*410098	S	2.187	3.350	3.355	.468	41	*410211	S	.750	1.624	1.628	.437	41
*410099	S	2.250	3.350	3.355	.468	41	*410215	S	.875	1.624	1.628	.437	41
*410099N	N	2.250	3.350	3.355	.468	41	*410219	S	1.000	1.624	1.628	.437	41
*410100N	N	2.312	3.350	3.355	.468	41	*410219N	N	1.000	1.624	1.628	.437	41
*410101	S	2.375	3.350	3.355	.468	41	*410222	S	.750	1.752	1.756	.437	41
410101N	N	2.375	3.350	3.355	.468	41	*410230	S	1.000	1.752	1.756	.437	41
*410101S	S	2.375	3.350	3.355	.468	41	*410233	S	1.000	1.874	1.878	.437	41
*410101V	V	2.375	3.350	3.355	.468	41	*410236	S	1.125	1.874	1.878	.437	41
410102	S	2.000	3.371	3.376	.468	41	*410236H	H	1.125	1.874	1.878	.437	41
*410102N	N	2.000	3.371	3.376	.468	41	*410241	S	1.125	2.062	2.066	.437	41
*410103	S	2.375	3.481	3.486	.500	41	*410244	S	1.250	2.062	2.066	.437	41
*410109	S	1.562	2.750	2.754	.500	41	*410245	S	1.250	2.125	2.129	.437	41
*410115	S	2.125	2.996	3.001	.500	41	*410247	S	1.312	2.125	2.129	.437	41
*410115N	N	2.125	2.996	3.001	.500	41	*410247N	N	1.312	2.125	2.129	.437	41
*410117	S	1.875	2.750	2.754	.500	41	*410261	S	2.062	2.996	3.001	.500	41
*410117H	H	1.875	2.750	2.754	.500	41	*410262	S	1.562	2.623	2.627	.500	41
*410117N	N	1.875	2.750	2.754	.500	41	*410265	S	1.687	2.623	2.627	.500	41
410119	S	.500	.999	1.003	.375	41	*410265N	N	1.687	2.623	2.627	.500	41
*410120	S	1.000	1.499	1.503	.390	41	*410272	S	1.875	2.686	2.690	.500	41
*410120N	N	1.000	1.499	1.503	.390	41	*410273	S	1.562	2.758	2.762	.500	41
*410121	S	2.125	3.189	3.194	.437	41	*410283	S	1.875	2.758	2.762	.500	41
*410121V	V	2.125	3.189	3.194	.437	41	*410286	S	1.625	2.750	2.754	.500	41
*410122	S	1.437	2.623	2.627	.500	41	*410286N	N	1.625	2.750	2.754	.500	41
*410122H	H	1.437	2.623	2.627	.500	41	*410291	S	1.750	2.875	2.879	.468	41
*410129	S	1.312	2.062	2.066	.437	41	*410291N	N	1.750	2.875	2.879	.468	41
*410132	S	2.250	3.371	3.376	.468	41	*410295	S	1.937	2.875	2.879	.468	41
*410135	S	1.375	2.125	2.129	.437	41	*410295N	N	1.937	2.875	2.879	.468	41
*410135N	N	1.375	2.125	2.129	.437	41	*410298	S	1.875	3.000	3.005	.500	41
*410136	S	1.500	2.250	2.254	.500	41	*410298N	N	1.875	3.000	3.005	.500	41
*410137	S	.687	1.124	1.128	.375	41	*410300	S	1.937	3.000	3.005	.500	41
*410138	S	1.937	2.686	2.690	.500	41	*410301	S	2.000	3.000	3.005	.500	41
*410139	S	2.187	2.996	3.001	.500	41	*410301V	V	2.000	3.000	3.005	.500	41
*410141	S	.750	1.250	1.254	.375	41	*410303	S	2.125	3.000	3.005	.500	41
*410143	S	1.562	2.561	2.565	.500	41	*410303N	N	2.125	3.000	3.005	.500	41
*410144	S	1.437	2.502	2.506	.500	41	*410304	S	1.875	3.061	3.066	.500	41
*410152	S	1.187	2.125	2.129	.437	41	410308	S	2.125	3.061	3.066	.500	41
*410152N	N	1.187	2.125	2.129	.437	41	*410309	S	1.937	3.125	3.130	.500	41
*410153	S	1.375	2.106	2.110	.468	41	*410310	S	2.000	3.125	3.130	.500	41
*410154	S	1.687	2.502	2.506	.500	41	*410310H	H	2.000	3.125	3.130	.500	41
*410154N	N	1.687	2.502	2.506	.500	41	*410312	S	2.125	3.125	3.130	.500	41
*410155	S	1.750	2.758	2.762	.500	41	410312N	N	2.125	3.125	3.130	.500	41
*410157	S	1.000	2.000	2.004	.437	41	*410314	S	2.125	3.251	3.256	.500	41
*410160	S	1.125	2.000	2.004	.437	41	*410315	S	2.187	3.251	3.256	.500	41
*410162	S	1.187	2.000	2.004	.437	41	*410315N	N	2.187	3.251	3.256	.500	41
*410162N	N	1.187	2.000	2.004	.437	41	410316	S	2.250	3.251	3.256	.500	41
410163	S	1.250	2.000	2.004	.437	41	*410316H	H	2.250	3.251	3.256	.500	41
*410163N	N	1.250	2.000	2.004	.437	41	410316N	N	2.250	3.251	3.256	.500	41
*410165	S	1.250	2.250	2.254	.500	41	*410317	S	2.312	3.251	3.256	.500	41
*410167	S	1.312	2.250	2.254	.500	41	*410320	S	2.375	3.189	3.194	.437	41
*410169	S	1.375	2.250	2.254	.500	41	*410320H	H	2.375	3.189	3.194	.437	41

NUMERICAL SECTION

For Illustration and Material Data See Technical Section
 ◀ Hydrodynamic Lip Design-CCW * Call 1-800-480-1212 For Price and Delivery

Numerical List Size & Type

NATIONAL®

Part No.	Lip Mat'l	Shaft Size	Hsg. Bore	Seal O.D.	Seal Width	Type/Illus.	Part No.	Lip Mat'l	Shaft Size	Hsg. Bore	Seal O.D.	Seal Width	Type/Illus.
410000 SERIES (cont.)							410000 SERIES (cont.)						
*410320N	N	2.375	3.189	3.194	.437	41	*410525	S	2.437	3.125	3.130	.500	41
*410322	S	2.437	3.251	3.256	.500	41	*410530	S	2.000	2.996	3.001	.375	41
*410324	S	2.437	3.371	3.376	.468	41	*410530N	N	2.000	2.996	3.001	.375	41
*410326	S	1.500	2.996	3.001	.500	41	*410536	S	.562	1.246	1.250	.375	41
*410330	S	2.500	3.371	3.376	.468	41	*410539	S	1.625	3.000	3.005	.500	41
*410330N	N	2.500	3.371	3.376	.468	41	*410539N	N	1.625	3.000	3.005	.500	41
*410336	S	1.187	2.250	2.254	.500	41	*410543	S	2.000	2.716	2.720	.468	41
*410340	S	.750	1.561	1.565	.375	41	*410551	S	2.312	3.125	3.130	.500	41
*410341	S	1.250	2.713	2.717	.468	41	*410552	S	2.375	3.125	3.130	.500	41
*410344	S	1.187	1.828	1.832	.437	41	*410552N	N	2.375	3.125	3.130	.500	41
*410350	S	2.375	3.371	3.376	.468	41	*410553	S	1.000	1.499	1.503	.312	41
*410352	S	1.750	2.502	2.506	.500	41	*410559	S	1.250	2.374	2.378	.500	41
*410354	S	2.187	3.189	3.194	.437	41	*410562	S	1.687	2.374	2.378	.500	41
*410355	S	.687	1.250	1.254	.375	41	*410565	S	2.375	3.125	3.130	.375	41
*410358	S	1.625	2.374	2.378	.500	41	*410565N	N	2.375	3.125	3.130	.375	41
*410358H	H	1.625	2.374	2.378	.500	41	*410567	S	.875	1.375	1.379	.312	41
*410358N	N	1.625	2.374	2.378	.500	41	*410571	S	2.000	3.251	3.256	.500	41
*410359	S	1.750	2.996	3.001	.500	41	*410574	S	2.375	3.251	3.256	.500	41
*410360	S	2.000	2.686	2.690	.500	41	*410574N	N	2.375	3.251	3.256	.500	41
*410361	S	1.750	2.561	2.565	.500	41	*410580	S	.750	1.575	1.579	.375	41
*410365	S	2.125	2.875	2.879	.468	41	*410596	S	1.687	2.835	2.839	.468	41
*410369	S	1.531	2.623	2.627	.500	41	*410605	S	2.500	3.371	3.376	.375	41
*410374	S	2.437	3.350	3.355	.468	41	*410610	S	.750	1.874	1.878	.437	41
*410374N	N	2.437	3.350	3.355	.468	41	*410614	S	2.250	3.251	3.256	.437	41
*410375	S	1.763	2.412	2.416	.468	41	*410614N	N	2.250	3.251	3.256	.437	41
*410381	S	1.125	1.624	1.628	.437	41	*410626	S	2.625	3.371	3.376	.468	41
*410389	S	2.000	2.750	2.754	.500	41	*410626N	N	2.625	3.371	3.376	.468	41
*410389N	N	2.000	2.750	2.754	.500	41	*410639	S	2.125	2.835	2.839	.468	41
*410394	S	1.500	2.125	2.129	.437	41	*410680	S	.875	1.499	1.503	.312	41
*410394H	H	1.500	2.125	2.129	.437	41	*410680N	N	.875	1.499	1.503	.312	41
*410394N	N	1.500	2.125	2.129	.437	41	*410681	S	2.187	3.125	3.130	.500	41
*410398	S	.875	1.374	1.379	.406	41	410686N	N	2.375	3.483	3.488	.500	41
*410403	S	1.375	2.062	2.066	.437	41	410686N	N	2.375	3.483	3.488	.500	41
*410410	S	2.000	2.623	2.627	.500	41	410694	S	2.312	3.350	3.355	.375	41
*410418	S	1.562	2.875	2.879	.468	41	410708	S	2.625	3.374	3.379	.468	41
*410421	S	1.687	2.714	2.718	.468	41	*410719	S	1.750	3.000	3.005	.500	41
*410424	S	.875	1.874	1.878	.437	41	*410720	S	1.875	3.125	3.130	.500	41
*410433	S	2.250	3.125	3.130	.500	41	410737	S	2.250	3.189	3.194	.437	41
*410438	S	1.562	2.374	2.378	.500	41	*410746	S	1.437	2.686	2.690	.500	41
*410441	S	2.250	2.996	3.001	.500	41	*410751	S	1.562	2.686	2.690	.500	41
*410441N	N	2.250	2.996	3.001	.500	41	410752	S	2.500	3.247	3.252	.500	41
*410444	S	1.375	2.502	2.506	.500	41	*410755	S	1.625	2.250	2.254	.500	41
*410444H	H	1.375	2.502	2.506	.500	41	*410765	S	1.687	2.716	2.720	.468	41
*410449	S	1.000	1.561	1.565	.375	41	*410776	S	1.375	2.686	2.690	.500	41
*410451	S	1.500	2.062	2.066	.437	41	*410781	S	.875	1.575	1.579	.375	41
*410452	S	1.375	2.835	2.839	.468	41	*410791	S	.625	1.124	1.128	.312	41
*410453	S	1.437	2.125	2.129	.437	41	410791V	V	.625	1.124	1.128	.312	41
*410453N	N	1.437	2.125	2.129	.437	41	*410795	S	1.625	2.441	2.445	.500	41
*410453V	V	1.437	2.125	2.129	.437	41	*410803	S	1.562	2.716	2.720	.468	41
*410456	S	1.375	2.716	2.720	.468	41	*410806	S	1.250	2.835	2.839	.468	41
*410460	S	1.687	2.561	2.565	.500	41	*410808	S	1.437	2.750	2.754	.500	41
*410461	S	1.500	2.750	2.754	.500	41	*410814	S	1.500	2.441	2.445	.500	41
*410463	S	1.375	2.750	2.754	.500	41	*410818	S	1.000	1.575	1.579	.375	41
*410467	S	1.625	3.251	3.256	.500	41	410825	S	2.375	3.623	3.628	.375	41
*410479	S	1.687	2.437	2.441	.468	41	*410867	S	2.125	2.875	2.879	.437	41
*410481	S	1.250	2.437	2.441	.468	41	410867N	N	2.125	2.875	2.879	.437	41
*410487	S	1.500	2.686	2.690	.500	41	*410867V	V	2.125	2.875	2.879	.437	41
*410489	S	2.187	2.875	2.879	.468	41	*410895	S	.750	1.375	1.379	.312	41
410496	S	2.500	3.350	3.355	.468	41	*410929	S	1.750	2.374	2.378	.500	41
*410503	S	1.312	2.437	2.441	.468	41	*410930	S	1.437	2.000	2.004	.437	41
*410504	S	1.375	2.623	2.627	.500	41	*410930N	N	1.437	2.000	2.004	.437	41
410519	S	2.500	3.251	3.256	.500	41	*410965	S	1.937	3.350	3.355	.468	41
410520	S	2.250	3.000	3.005	.500	41	*410966	S	2.000	2.875	2.879	.500	41
*410520N	N	2.250	3.000	3.005	.500	41	*410972	S	2.125	3.371	3.376	.468	41
*410521	S	1.312	1.874	1.878	.437	41	410972N	N	2.125	3.371	3.376	.468	41
*410522	S	1.375	2.000	2.004	.437	41	*410975	S	.625	1.499	1.503	.390	41
*410523	S	1.500	2.875	2.879	.468	41	*410984	S	1.500	2.716	2.720	.468	41
410524	S	1.875	3.371	3.376	.468	41	410987	S	2.375	3.481	3.486	.437	41

For Illustration and Material Data See Technical Section
 * Call 1-800-480-1212 For Price and Delivery

Part No.	Lip Mat'l	Shaft Size	Hsg. Bore	Seal O.D.	Seal Width	Type/ Illus.	Part No.	Lip Mat'l	Shaft Size	Hsg. Bore	Seal O.D.	Seal Width	Type/ Illus.
410000 SERIES (cont.)							410000 SERIES (cont.)						
*410988	S	2.375	3.061	3.066	.500	41	*411662	S	1.000	1.624	1.628	.312	41
*410988N	N	2.375	3.061	3.066	.500	41	*411698	S	.750	1.752	1.756	.312	41
*410989	S	1.375	3.000	3.005	.500	41	*411700	S	.875	1.752	1.756	.312	41
*411000	S	1.375	2.250	2.254	.375	41	*411703	S	1.000	1.752	1.756	.312	41
*411016	S	1.562	2.125	2.129	.437	41	*411703N	N	1.000	1.752	1.756	.312	41
*411024	S	.625	1.624	1.628	.437	41	*411706	S	1.125	1.752	1.756	.312	41
*411030	S	1.750	2.717	2.721	.468	41	*411709	S	1.250	1.752	1.756	.312	41
*411060	S	1.125	2.125	2.129	.437	41	*411709V	V	1.250	1.752	1.756	.312	41
*411078	S	1.875	3.251	3.256	.500	41	*411842	S	1.250	2.502	2.506	.500	41
*411084	S	1.562	2.250	2.254	.500	41	*411847	S	1.375	2.561	2.565	.500	41
*411091	S	2.000	3.062	3.066	.500	41	*411854	S	1.937	2.561	2.565	.500	41
*411100	S	1.125	1.624	1.628	.312	41	*411857	S	1.500	2.623	2.627	.500	41
*411100N	N	1.125	1.624	1.628	.312	41	*411857N	N	1.500	2.623	2.627	.500	41
*411105	S	1.375	2.875	2.879	.468	41	*411883	S	2.000	2.686	2.690	.437	41
*411138	S	2.250	3.125	3.130	.375	41	*411883H	H	2.000	2.686	2.690	.437	41
411143N	N	2.625	3.251	3.256	.437	41	*411923N	N	1.625	2.875	2.879	.437	41
*411160	S	2.312	3.000	3.005	.500	41	*411936	S	1.875	2.875	2.879	.437	41
*411160N	N	2.312	3.000	3.005	.500	41	*411936N	N	1.875	2.875	2.879	.437	41
411160V	V	2.312	3.000	3.005	.500	41	*411937	S	1.937	2.750	2.754	.500	41
*411178	S	2.375	3.112	3.117	.500	41	*411940	S	1.937	2.875	2.879	.437	41
*411234	S	2.250	3.061	3.066	.500	41	*411943	S	2.000	2.835	2.839	.468	41
*411234N	N	2.250	3.061	3.066	.500	41	*411944	S	2.000	2.875	2.879	.437	41
411245	S	2.437	3.500	3.505	.375	41	*411949	S	2.125	2.750	2.754	.500	41
*411246	S	1.250	1.874	1.878	.437	41	*411949H	H	2.125	2.750	2.754	.500	41
411253	S	2.250	3.350	3.355	.375	41	*411949N	N	2.125	2.750	2.754	.500	41
*411268	S	1.375	2.000	2.004	.375	41	*411952	S	2.187	2.835	2.839	.468	41
*411268N	N	1.375	2.000	2.004	.375	41	*411953	S	2.187	2.875	2.879	.437	41
*411271	S	2.500	3.251	3.256	.375	41	*411953N	N	2.187	2.875	2.879	.437	41
*411272	S	2.250	3.000	3.005	.375	41	*411962	S	1.562	2.996	3.001	.500	41
411275	V	3.250	4.249	4.254	.468	41	*411978N	N	1.625	3.125	3.130	.500	41
*411275H	H	3.250	4.249	4.254	.468	41	*411983	S	1.750	2.996	3.001	.437	41
*411275N	N	3.250	4.249	4.254	.468	41	*412008	S	2.000	2.996	3.001	.437	41
*411294	S	.500	1.124	1.128	.312	41	*412012	S	2.062	3.000	3.005	.375	41
*411297	S	.687	1.125	1.129	.312	41	412015V	V	2.125	3.000	3.005	.375	41
*411302	S	1.375	2.374	2.378	.437	41	*412016	S	2.125	3.125	3.130	.375	41
*411316H	H	1.562	2.686	2.690	.375	41	*412016N	N	2.125	3.125	3.130	.375	41
*411324	S	.625	1.375	1.379	.312	41	*412017	S	2.187	2.996	3.001	.437	41
411330	S	2.598	3.481	3.486	.500	41	*412018	S	2.187	3.000	3.005	.375	41
411330N	N	2.598	3.481	3.486	.500	41	*412019	S	2.187	3.062	3.066	.500	41
*411337	S	.781	1.752	1.756	.312	41	*412020	S	2.187	3.125	3.130	.375	41
*411338	S	2.187	3.000	3.005	.500	41	*412022	S	1.875	3.251	3.256	.437	41
*411341	S	2.250	2.996	3.001	.437	41	412027	S	2.000	3.251	3.256	.437	41
*411341N	N	2.250	2.996	3.001	.437	41	412028	S	2.000	3.350	3.355	.468	41
411348	S	2.812	4.249	4.254	.468	41	*412032	S	2.125	3.251	3.256	.437	41
*411352	S	1.312	2.000	2.004	.437	41	*412035	S	2.187	3.371	3.376	.468	41
411376	S	2.250	3.500	3.505	.375	41	*412038	S	2.375	3.251	3.256	.437	41
*411385	S	.750	1.983	1.987	.437	41	412038N	N	2.375	3.251	3.256	.437	41
411394	S	2.312	3.251	3.256	.375	41	412040	S	2.437	3.251	3.256	.437	41
*411414	S	3.375	4.376	4.381	.562	41	412119	S	2.375	3.350	3.355	.375	41
*411414N	N	3.375	4.376	4.381	.562	41	412473	S	3.375	4.376	4.381	.375	41
*411429N	N	2.000	2.880	2.884	.500	41	*412572	S	1.875	2.750	2.754	.312	41
*411452	S	2.250	2.987	2.991	.500	41	*412691	S	1.375	2.374	2.378	.750	41
*411456	S	1.187	1.874	1.878	.437	41	412725	S	2.000	3.150	3.155	.375	41
*411463	S	1.875	2.835	2.839	.468	41	412798N	N	2.062	3.000	3.005	.437	41
*411475	S	2.625	3.543	3.548	.500	41	412861	S	2.375	3.543	3.548	.375	41
*411475N	N	2.625	3.543	3.548	.500	41	412871	S	2.625	3.350	3.355	.375	41
411500	S	2.437	3.350	3.355	.375	41	412920	S	2.250	3.371	3.376	.375	41
*411509H	H	2.500	3.250	3.256	.437	41	412920V	V	2.250	3.371	3.376	.375	41
*411509N	N	2.500	3.250	3.256	.437	41	412943	S	2.187	3.350	3.355	.375	41
*411509V	V	2.500	3.250	3.256	.437	41	*413244	S	2.187	2.875	2.879	.375	41
*411531	S	.562	1.124	1.128	.312	41	*413244N	N	2.187	2.875	2.879	.375	41
*411557	S	.562	1.375	1.379	.312	41	*413245	S	2.187	3.251	3.256	.375	41
*411577	S	.625	1.499	1.503	.312	41	413246	S	2.375	3.251	3.256	.375	41
*411580	S	.750	1.499	1.503	.312	41	413246N	N	2.375	3.251	3.255	.375	41
*411582	S	.937	1.499	1.504	.312	41	413247	S	2.375	3.371	3.376	.375	41
*411653	S	.625	1.624	1.628	.312	41	413248	S	2.625	3.371	3.376	.375	41
*411656	S	.750	1.624	1.628	.312	41	*413293	S	1.187	2.125	2.129	.375	41
*411659	S	.875	1.624	1.628	.312	41	*413293N	N	1.187	2.125	2.129	.375	41

For Illustration and Material Data See Technical Section
 * Call 1-800-480-1212 For Price and Delivery

Numerical List Size & Type

NATIONAL®



Part No.	Lip Mat'l	Shaft Size	Hsg. Bore	Seal O.D.	Seal Width	Type/Illus.	Part No.	Lip Mat'l	Shaft Size	Hsg. Bore	Seal O.D.	Seal Width	Type/Illus.
410000 SERIES (cont.)							410000 SERIES (cont.)						
*413310	S	1.609	2.750	2.754	.500	41	*415036N	N	4.000	5.500	5.506	.562	41
413469	S	2.125	3.350	3.355	.375	41	*415039	S	4.187	5.501	5.506	.562	41
413470	S	2.125	3.371	3.376	.375	41	*415039N	N	4.187	5.501	5.506	.562	41
413470V	V	2.125	3.371	3.376	.375	41	*415040	S	4.250	5.501	5.506	.562	41
413472	S	2.187	3.371	3.376	.375	41	*415040N	N	4.250	5.501	5.506	.562	41
*413477	S	2.437	3.251	3.256	.375	41	415041	S	4.000	5.751	5.756	.562	41
413478	S	2.437	3.371	3.376	.375	41	*415041N	N	4.000	5.751	5.756	.562	41
413479	S	2.562	3.481	3.486	.375	41	415043	S	4.125	5.751	5.756	.562	41
*413638	S	1.375	3.543	3.548	.500	41	*415044	S	4.187	5.751	5.756	.562	41
*413697N	N	1.343	2.106	2.110	.312	41	415045	S	4.250	5.751	5.756	.562	41
*413799	S	1.625	2.087	2.091	.275	41	415047	S	4.375	5.751	5.756	.562	41
413818★	S	50.00	70.00	70.10	7.00	41	*415049	S	4.500	5.751	5.756	.562	41
		1.969	2.756	2.760	.276		415052	S	8.000	10.125	10.133	.750	41
414045	S	1.875	2.782	2.786	.500	41	*415053	S	4.750	5.751	5.756	.562	41
*414072★	S	62.00	85.00	85.13	8.00	41	*415053H	H	4.750	5.751	5.756	.562	41
		2.441	3.346	3.352	.315		*415053N	N	4.750	5.751	5.756	.562	41
414268	S	1.625	3.000	3.004	.312	41	*415053V	V	4.750	5.751	5.756	.562	41
415001	S	2.500	3.543	3.548	.500	41	*415054	S	4.000	6.250	6.256	.562	41
415001N	N	2.500	3.543	3.548	.500	41	415058	S	4.250	6.250	6.256	.562	41
*415002	S	2.562	3.623	3.628	.468	41	415060	S	4.375	6.250	6.256	.562	41
*415002H	H	2.562	3.623	3.628	.468	41							
415003	S	2.625	3.623	3.628	.468	41	*415062	S	4.500	6.250	6.256	.562	41
*415003N	N	2.625	3.623	3.628	.468	41	*415062H	H	4.500	6.250	6.256	.562	41
*415003V	V	2.625	3.623	3.628	.468	41	415064	S	4.625	6.250	6.256	.562	41
415004	S	2.750	3.751	3.756	.500	41	415066	S	4.750	6.250	6.256	.562	41
*415004H	H	2.750	3.751	3.756	.500	41	*415068	S	4.875	6.250	6.256	.562	41
*415004N	N	2.750	3.751	3.756	.500	41	*415068N	N	4.875	6.250	6.256	.562	41
415004V	V	2.750	3.751	3.756	.500	41	*415070	S	5.000	6.250	6.256	.562	41
*415006	S	2.875	3.751	3.756	.500	41	*415070N	N	5.000	6.250	6.256	.562	41
*415006N	N	2.875	3.751	3.756	.500	41	*415070V	V	5.000	6.250	6.256	.562	41
*415006V	V	2.875	3.751	3.756	.500	41	*415071	S	5.125	6.374	6.382	.625	41
415007	S	2.625	3.876	3.881	.468	41	415072	S	6.000	7.500	7.508	.562	41
415009	S	2.750	3.876	3.881	.468	41	*415072H	H	6.000	7.500	7.508	.562	41
415009N	N	2.750	3.876	3.881	.468	41	*415072V	V	6.000	7.500	7.508	.562	41
*415011	S	2.875	4.003	4.008	.468	41	*415073	S	5.500	6.749	6.756	.625	41
*415011H	H	2.875	4.003	4.008	.468	41	*415073H	H	5.500	6.749	6.756	.625	41
*415011N	N	2.875	4.003	4.008	.468	41	*415073N	N	5.500	6.749	6.756	.625	41
*415012	S	2.937	4.003	4.008	.468	41	*415073V	V	5.500	6.749	6.756	.625	41
*415012N	N	2.937	4.003	4.008	.468	41	415074	S	6.125	7.500	7.508	.562	41
415012V	V	2.937	4.003	4.008	.468	41	*415074H	H	6.125	7.500	7.508	.562	41
415013	S	3.000	4.003	4.008	.468	41	*415074N	N	6.125	7.500	7.508	.562	41
415013N	N	3.000	4.003	4.008	.468	41							
*415013V	V	3.000	4.003	4.008	.468	41	*415075	S	5.875	7.125	7.133	.625	41
*415014	S	3.000	4.249	4.254	.625	41	*415075N	N	5.875	7.125	7.133	.625	41
*415014N	N	3.000	4.249	4.254	.625	41	415076	S	11.500	13.500	13.508	.750	41
*415016	S	3.125	4.249	4.254	.625	41	*415076V	V	11.500	13.500	13.508	.750	41
415016N	N	3.125	4.249	4.254	.625	41	415077	S	11.500	13.000	13.010	.750	41
*415018	S	3.250	4.249	4.254	.625	41	*415079	S	2.500	3.751	3.756	.500	41
*415018N	N	3.250	4.249	4.254	.625	41	*415080	S	2.125	3.623	3.628	.468	41
*415019	S	3.000	4.999	5.004	.468	41	415082	S	2.500	3.876	3.881	.468	41
415021	S	3.125	4.999	5.004	.468	41	415082N	N	2.500	3.876	3.881	.468	41
415023	S	3.250	4.999	5.004	.468	41	*415084	S	7.000	8.500	8.509	.750	41
415025	S	3.375	4.999	5.004	.468	41	*415084N	N	7.000	8.500	8.509	.750	41
*415025N	N	3.375	4.999	5.004	.468	41	415085	S	3.312	4.499	4.504	.468	41
415027	S	3.500	4.999	5.004	.468	41	*415086	S	3.000	4.249	4.254	.468	41
415027H	H	3.500	4.999	5.004	.468	41	*415086N	N	3.000	4.249	4.254	.468	41
415027N	N	3.500	4.999	5.004	.468	41	*415086V	V	3.000	4.249	4.254	.468	41
*415029	S	3.625	4.999	5.004	.468	41	415088	S	3.000	4.499	4.504	.468	41
*415031	S	3.750	4.999	5.004	.468	41	*415088N	N	3.000	4.499	4.504	.468	41
*415031H	H	3.750	4.999	5.004	.468	41	415090	S	9.000	11.000	11.008	.750	41
*415031N	N	3.750	4.999	5.004	.468	41	*415091	S	4.875	5.999	6.007	.625	41
*415033	S	3.875	4.999	5.004	.468	41	*415092	S	6.750	8.250	8.257	.750	41
*415033N	N	3.875	4.999	5.004	.468	41	*415093	S	2.250	3.500	3.505	.500	41
415034	S	3.937	4.999	5.004	.468	41	*415093N	N	2.250	3.500	3.505	.500	41
415035	S	4.000	4.999	5.004	.468	41	*415094	S	2.312	3.500	3.505	.500	41
*415035N	N	4.000	4.999	5.004	.468	41	*415095	S	2.375	3.500	3.505	.500	41
415035V	V	4.000	4.999	5.004	.468	41	*415095N	N	2.375	3.500	3.505	.500	41
415036	S	4.000	5.501	5.506	.562	41	*415096	S	2.437	3.500	3.505	.500	41
							*415096N	N	2.437	3.500	3.505	.500	41
							*415098	S	2.562	3.500	3.505	.500	41

For Illustration and Material Data See Technical Section
 * Call 1-800-480-1212 For Price and Delivery ★ Metric Seal

Part No.	Lip Mat'l	Shaft Size	Hsg. Bore	Seal O.D.	Seal Width	Type/ Illus.	Part No.	Lip Mat'l	Shaft Size	Hsg. Bore	Seal O.D.	Seal Width	Type/ Illus.
410000 SERIES (cont.)							410000 SERIES (cont.)						
415098N	N	2.562	3.500	3.505	.500	41	*415192	S	4.000	5.251	5.256	.468	41
*415101	S	2.750	4.249	4.254	.625	41	415192N	N	4.000	5.251	5.256	.468	41
*415104	S	5.250	6.499	6.507	.625	41	*415195	S	4.250	5.251	5.256	.468	41
*415104H	H	5.250	6.499	6.507	.625	41	*415195N	N	4.250	5.251	5.256	.468	41
*415104N	N	5.250	6.499	6.507	.625	41	415196	S	4.250	5.376	5.381	.500	41
*415105	S	5.375	6.624	6.632	.625	41	*415196H	H	4.250	5.376	5.381	.500	41
*415105V	V	5.375	6.624	6.632	.625	41	*415196N	N	4.250	5.376	5.381	.500	41
*415110	S	6.375	7.875	7.881	.750	41	*415198	S	4.375	5.501	5.506	.562	41
*415111	S	6.500	8.000	8.009	.750	41	*415198H	H	4.375	5.501	5.506	.562	41
*415115	S	7.125	8.625	8.634	.750	41	*415200	S	4.500	5.501	5.506	.562	41
*415115N	N	7.125	8.625	8.634	.750	41	*415200N	N	4.500	5.501	5.506	.562	41
415116	S	7.250	8.750	8.759	.750	41	*415200V	V	4.500	5.501	5.506	.562	41
*415120	S	7.750	9.250	9.258	.750	41	*415201	S	4.000	5.999	6.007	.625	41
*415122	S	8.000	10.000	10.008	.750	41	*415205	S	4.250	5.999	6.007	.625	41
415124	S	8.250	10.250	10.260	.750	41	*415207	S	4.375	5.999	6.007	.625	41
415128	S	8.750	10.750	10.758	.750	41	*415209	S	4.500	5.999	6.007	.625	41
*415130	S	1.937	3.543	3.548	.500	41	*415209N	N	4.500	5.999	6.007	.625	41
*415134	S	4.125	4.999	5.004	.468	41	*415211	S	4.625	6.001	6.007	.625	41
*415134N	N	4.125	4.999	5.004	.468	41	*415213	S	4.750	5.999	6.007	.625	41
415137	S	3.250	4.499	4.504	.468	41	415213N	N	4.750	5.999	6.007	.625	41
415138	S	4.750	5.750	5.756	.500	41	415219	S	9.250	11.250	11.260	.750	41
*415138H	H	4.750	5.750	5.756	.500	41	*415219N	N	9.250	11.250	11.260	.750	41
*415138N	N	4.750	5.750	5.756	.500	41	415227	S	10.500	12.500	12.508	1.000	41
*415140	S	5.375	6.749	6.757	.625	41	*415227V	V	10.500	12.500	12.508	1.000	41
415142	S	4.125	5.251	5.256	.468	41	415234	S	2.250	3.623	3.628	.468	41
*415144	S	2.875	4.499	4.504	.468	41	*415244	S	2.562	3.751	3.756	.500	41
*415145	S	3.125	4.499	4.504	.468	41	*415244N	N	2.562	3.751	3.756	.500	41
*415145N	N	3.125	4.499	4.504	.468	41	*415245	S	3.125	4.751	4.756	.625	41
*415145V	V	3.125	4.499	4.504	.468	41	*415245N	N	3.125	4.751	4.756	.625	41
415146	S	3.500	4.499	4.504	.468	41	*415248	S	2.375	3.543	3.548	.500	41
*415146N	N	3.500	4.499	4.504	.468	41	415248N	N	2.375	3.543	3.548	.500	41
415147	S	2.500	3.500	3.505	.500	41	415254	S	2.250	4.003	4.008	.468	41
415147N	N	2.500	3.500	3.505	.500	41	415259	S	2.250	3.751	3.756	.500	41
*415148	S	3.875	5.251	5.256	.468	41	*415262	S	3.500	5.501	5.506	.562	41
*415149	S	2.625	3.751	3.756	.500	41	415263	S	3.937	5.376	5.381	.500	41
*415149V	V	2.625	3.751	3.756	.500	41	*415265	S	3.250	4.751	4.756	.625	41
415150	S	3.750	5.251	5.256	.468	41	*415265N	N	3.250	4.751	4.756	.625	41
*415152	S	2.875	4.125	4.130	.562	41	*415269	S	3.687	5.501	5.506	.562	41
*415154	S	3.000	4.125	4.130	.562	41	*415270	S	10.000	11.000	11.010	.750	41
*415156	S	3.125	4.125	4.130	.562	41	*415271	S	5.000	5.999	6.007	.625	41
*415156H	H	3.125	4.125	4.130	.562	41	*415271H	H	5.000	5.999	6.007	.625	41
415156N	N	3.125	4.125	4.130	.562	41	*415271N	N	5.000	5.999	6.007	.625	41
*415158	S	3.000	4.376	4.381	.625	41	*415272	S	2.750	4.003	4.008	.468	41
*415158N	N	3.000	4.376	4.381	.625	41	415272N	N	2.750	4.003	4.008	.468	41
*415160	S	3.125	4.376	4.381	.625	41	*415273	S	5.500	6.499	6.507	.625	41
*415162	S	3.250	4.376	4.381	.625	41	*415273N	N	5.500	6.499	6.507	.625	41
*415164	S	3.375	4.376	4.381	.625	41	*415281	S	3.000	3.751	3.756	.500	41
415164N	N	3.375	4.376	4.381	.625	41	415281N	N	3.000	3.751	3.756	.500	41
*415165	S	3.375	4.499	4.504	.468	41	*415281V	V	3.000	3.751	3.756	.500	41
*415165H	H	3.375	4.499	4.504	.468	41	415284	S	4.687	5.751	5.756	.500	41
415170	S	3.500	4.626	4.631	.625	41	415294	S	6.500	7.500	7.508	.562	41
*415172	S	3.625	4.626	4.631	.625	41	*415294N	N	6.500	7.500	7.508	.562	41
*415172N	N	3.625	4.626	4.631	.625	41	415295	S	4.187	4.999	5.004	.468	41
*415172V	V	3.625	4.626	4.631	.625	41	*415295H	H	4.187	4.999	5.004	.468	41
*415173	S	3.500	4.751	4.756	.625	41	*415296	S	2.625	4.003	4.008	.468	41
*415173N	N	3.500	4.751	4.756	.625	41	*415296N	N	2.625	4.003	4.008	.468	41
*415175	S	3.625	4.751	4.756	.625	41	*415299	S	8.000	9.250	9.260	.750	41
*415177	S	3.750	4.751	4.756	.625	41	*415300	S	8.000	9.500	9.510	.750	41
*415179	S	3.875	4.751	4.756	.625	41	*415300N	N	8.000	9.500	9.510	.750	41
*415181	S	3.625	4.876	4.881	.625	41	415302	S	2.562	3.500	3.505	.375	41
*415183	S	3.750	4.876	4.881	.625	41	415303	S	2.875	3.623	3.628	.375	41
*415185	S	3.875	4.876	4.881	.625	41	415304	S	3.250	4.249	4.254	.500	41
*415185H	H	3.875	4.876	4.881	.625	41	*415304N	N	3.250	4.249	4.254	.500	41
*415185N	N	3.875	4.876	4.881	.625	41	*415304V	V	3.250	4.249	4.254	.500	41
*415186★	S	100.00	123.85	124.00	15.88	41	*415308	S	1.500	3.543	3.548	.500	41
			3.937	4.876	4.882	.625	*415312	S	5.000	6.374	6.382	.625	41
415187	S	4.000	4.876	4.881	.625	41	*415315	S	2.750	3.623	3.628	.468	41
*415188	S	4.000	5.126	5.131	.625	41	*415315N	N	2.750	3.623	3.628	.468	41

NUMERICAL SECTION

For Illustration and Material Data See Technical Section
 * Call 1-800-480-1212 For Price and Delivery ★ Metric Seal

Numerical List Size & Type

NATIONAL®



Part No.	Lip Mat'l	Shaft Size	Hsg. Bore	Seal O.D.	Seal Width	Type/Illus.	Part No.	Lip Mat'l	Shaft Size	Hsg. Bore	Seal O.D.	Seal Width	Type/Illus.
410000 SERIES (cont.)							410000 SERIES (cont.)						
415317	S	7.375	9.000	9.010	.750	41	*415479	S	3.000	3.876	3.881	.468	41
*415319	S	3.500	5.126	5.131	.625	41	*415479N	N	3.000	3.876	3.881	.468	41
*415319N	N	3.500	5.126	5.131	.625	41	*415480	S	6.250	7.500	7.508	.562	41
415322	S	2.750	3.543	3.548	.500	41	415482	S	11.000	13.000	13.010	.750	41
*415322N	N	2.750	3.543	3.548	.500	41	415483	S	2.625	3.500	3.505	.375	41
415322V	V	2.750	3.543	3.548	.500	41	*415487	S	5.625	6.625	6.631	.625	41
415327	S	6.750	8.000	8.009	.625	41	*415487N	N	5.625	6.625	6.631	.625	41
*415327H	H	6.750	8.000	8.009	.625	41	*415489	S	8.500	10.000	10.010	.750	41
*415327N	N	6.750	8.000	8.009	.625	41	*415489V	V	8.500	10.000	10.010	.750	41
*415328	S	3.250	5.251	5.256	.468	41	*415495	S	5.125	6.499	6.507	.625	41
*415330	S	6.125	7.125	7.133	.625	41	415498	S	3.562	4.499	4.504	.468	41
*415342	S	4.500	5.876	5.881	.625	41	*415513	S	4.000	5.626	5.631	.500	41
*415345N	N	2.500	3.500	3.505	.375	41	*415517	S	7.000	8.000	8.009	.750	41
*415345V	V	2.500	3.500	3.505	.375	41	*415526N	N	3.000	3.876	3.881	.500	41
*415347	S	2.937	3.876	3.881	.468	41	*415547	S	3.875	5.126	5.131	.625	41
*415347N	N	2.937	3.876	3.881	.468	41	415551	S	7.500	9.000	9.010	.750	41
415349	S	2.125	3.543	3.548	.500	41	*415551N	N	7.500	9.000	9.010	.750	41
*415349N	N	2.125	3.543	3.548	.500	41	415551V	V	7.500	9.000	9.010	.750	41
*415349V	V	2.125	3.543	3.548	.500	41	415559	S	3.500	5.251	5.256	.468	41
415350	S	2.187	3.623	3.628	.468	41	415563	S	3.250	4.003	4.008	.468	41
415351	S	4.500	6.250	6.256	.500	41	*415563N	N	3.250	4.003	4.008	.468	41
*415352	S	9.125	10.377	10.384	.625	41	*415566	S	3.250	4.125	4.130	.562	41
*415354	S	3.125	4.003	4.008	.468	41	*415566N	N	3.250	4.125	4.130	.562	41
*415354N	N	3.125	4.003	4.008	.468	41	*415566V	V	3.250	4.125	4.130	.562	41
*415355	S	2.875	3.876	3.881	.468	41	*415573	S	4.375	6.127	6.132	.625	41
*415355N	N	2.875	3.876	3.881	.468	41	415577	S	3.250	4.723	4.729	.468	41
*415356	S	2.937	4.499	4.504	.468	41	*415577N	N	3.250	4.723	4.729	.468	41
*415356N	N	2.937	4.499	4.504	.468	41	415610	S	5.500	7.000	7.007	.625	41
*415356V	V	2.937	4.499	4.504	.468	41	*415613	S	3.375	4.249	4.254	.625	41
*415363	S	5.750	6.749	6.756	.625	41	415627	S	2.000	3.500	3.505	.500	41
*415363H	H	5.750	6.749	6.756	.625	41	*415634	S	4.625	5.751	5.756	.500	41
*415364	S	2.750	3.500	3.505	.500	41	*415636	S	2.187	3.500	3.505	.500	41
*415364H	H	2.750	3.500	3.505	.500	41	415645	S	5.250	6.500	6.507	.562	41
*415368	S	2.625	3.500	3.505	.500	41	*415648	S	13.000	15.000	15.008	.750	41
*415368N	N	2.625	3.500	3.505	.500	41	*415655	S	2.500	4.003	4.008	.468	41
*415369	S	2.500	3.623	3.628	.468	41	415656	S	8.000	9.000	9.010	.750	41
*415369H	H	2.500	3.623	3.628	.468	41	*415659	S	2.125	3.500	3.505	.500	41
*415369N	N	2.500	3.623	3.628	.468	41	415683	S	6.000	7.000	7.007	.500	41
415371	S	4.625	5.751	5.756	.562	41	415697	S	3.875	5.125	5.131	.500	41
*415371N	N	4.625	5.751	5.756	.562	41	415711	S	3.562	4.625	4.631	.500	41
*415377	S	5.000	6.499	6.507	.625	41	*415712	S	4.250	5.251	5.256	.625	41
415379	S	3.750	4.751	4.756	.500	41	415725	S	5.000	6.001	6.007	.500	41
*415379H	H	3.750	4.751	4.756	.500	41	*415725N	N	5.000	6.001	6.007	.500	41
*415379N	N	3.750	4.751	4.756	.500	41	*415733	S	2.750	3.751	3.756	.437	41
415379V	V	3.750	4.751	4.756	.500	41	415832	S	3.625	5.375	5.381	.500	41
*415380N	N	2.375	3.623	3.628	.468	41	415836	S	3.000	4.003	4.008	.437	41
415389	S	3.625	4.499	4.504	.468	41	415836V	V	3.000	4.003	4.008	.437	41
415389N	N	3.625	4.499	4.504	.468	41	415836N	N	3.000	4.003	4.008	.437	41
415394	S	3.125	5.251	5.256	.468	41	*415852	S	3.750	5.751	5.756	.562	41
*415396	S	3.500	5.751	5.756	.562	41	415854	S	6.250	7.875	7.881	.750	41
*415423	S	3.750	5.501	5.506	.562	41	415857	S	2.375	3.601	3.606	.437	41
415425	S	4.375	5.376	5.381	.500	41	*415859	S	7.117	8.126	8.134	.750	41
*415425V	V	4.375	5.376	5.381	.500	41	415867	S	7.500	8.500	8.509	.625	41
415436	S	3.625	5.751	5.756	.562	41	415871	S	9.375	11.375	11.385	.750	41
415437	S	3.500	4.751	4.756	.500	41	*415871H	H	9.375	11.375	11.385	.750	41
415442	S	3.375	4.125	4.130	.375	41	415876	S	7.000	9.313	9.321	.625	41
415447	S	5.750	6.624	6.632	.625	41	415876V	V	7.000	9.313	9.321	.625	41
415449	S	2.500	3.500	3.505	.375	41	415894	S	3.375	4.376	4.381	.500	41
415449A	A	2.500	3.500	3.505	.375	41	415897	S	5.000	6.877	6.884	.625	41
*415449N	N	2.500	3.500	3.505	.375	41	*415897N	N	5.000	6.877	6.884	.625	41
415449V	V	2.500	3.500	3.505	.375	41	*415899	S	3.500	4.375	4.381	.562	41
415458	S	2.625	3.623	3.628	.375	41	415899N	N	3.500	4.375	4.381	.562	41
415458A	A	2.625	3.623	3.628	.375	41	*415913	S	6.500	7.382	7.392	.622	41
415458V	V	2.625	3.623	3.628	.375	41	*415913N	N	6.500	7.382	7.392	.622	41
*415460	S	5.000	7.500	7.507	.562	41	*415920	S	5.625	6.625	6.631	.500	41
*415460N	N	5.000	7.500	7.507	.562	41	*415927	S	7.125	8.007	8.017	.625	41
*415461	S	5.375	6.499	6.507	.625	41	415937	S	3.625	4.751	4.756	.500	41
*415461N	N	5.375	6.499	6.507	.625	41	415938	S	5.375	6.624	6.632	.562	41

For Illustration and Material Data See Technical Section
 * Call 1-800-480-1212 For Price and Delivery

Part No.	Lip Mat'l	Shaft Size	Hsg. Bore	Seal O.D.	Seal Width	Type/ Illus.	Part No.	Lip Mat'l	Shaft Size	Hsg. Bore	Seal O.D.	Seal Width	Type/ Illus.
410000 SERIES (cont.)							410000 SERIES (cont.)						
415953	S	4.000	4.999	5.004	.500	41	416158	S	4.625	5.999	6.007	.500	41
*415953H	H	4.000	4.999	5.004	.500	41	416163	S	4.812	5.999	6.007	.500	41
*415953N	N	4.000	4.999	5.004	.500	41	416167	S	4.875	5.999	6.007	.500	41
415953V	V	4.000	4.999	5.004	.500	41	*416167N	N	4.875	5.999	6.007	.500	41
415958	S	3.875	5.376	5.381	.500	41	*416172	S	5.125	6.125	6.131	.562	41
415960	S	2.750	3.876	3.881	.375	41	*416173	S	5.125	6.250	6.256	.562	41
415962	S	3.000	4.331	4.336	.500	41	*416173N	N	5.125	6.250	6.256	.562	41
*415963N	N	3.750	4.751	4.756	.484	41	*416176	S	5.000	7.000	7.008	.625	41
*415963V	V	3.750	4.751	4.756	.484	41	*416189	S	5.500	6.624	6.631	.625	41
*415970	S	4.625	6.125	6.131	.562	41	*416190	S	5.500	6.874	6.882	.625	41
*415970H	H	4.625	6.125	6.131	.562	41	416191	S	5.500	7.125	7.133	.625	41
*415971	S	2.375	3.500	3.505	.703	41	*416195	S	5.500	8.000	8.009	.625	41
*415971H	H	2.375	3.500	3.505	.703	41	*416196	S	5.500	8.000	8.009	.750	41
*415972	S	2.562	3.624	3.629	.703	41	*416214	S	5.750	6.874	6.882	.625	41
415983	S	3.750	4.499	4.506	.468	41	*416215	S	5.750	7.125	7.133	.625	41
415983N	N	3.750	4.499	4.506	.468	41	*416219	S	6.000	7.125	7.133	.625	41
415983V	V	3.750	4.499	4.506	.468	41	*416219H	H	6.000	7.125	7.133	.625	41
415984	S	2.750	3.623	3.628	.375	41	*416219N	N	6.000	7.125	7.133	.625	41
415988	S	2.562	3.623	3.628	.375	41	416229	S	6.500	8.000	8.009	.625	41
415991	S	3.500	4.501	4.506	.468	41	*416229N	N	6.500	8.000	8.009	.625	41
415991N	N	3.500	4.501	4.506	.468	41	*416232	S	6.000	8.500	8.509	.625	41
415991V	V	3.500	4.501	4.506	.468	41	416239	S	7.000	8.500	8.509	.625	41
415995	S	3.000	4.003	4.008	.375	41	416257	S	9.250	11.000	11.008	.750	41
415995A	A	3.000	4.003	4.008	.375	41	*416257H	H	9.250	11.000	11.008	.750	41
*415995N	N	3.000	4.003	4.008	.375	41	416267	S	2.125	3.500	3.505	.375	41
415995V	V	3.000	4.003	4.008	.375	41	416268	S	2.187	3.500	3.505	.375	41
416008	S	6.750	8.500	8.509	.625	41	*416269	S	2.187	3.543	3.548	.500	41
416011	S	3.125	4.125	4.130	.500	41	416270	S	2.250	3.543	3.548	.500	41
*416011V	V	3.125	4.125	4.130	.500	41	416271	S	2.375	3.500	3.505	.375	41
416024	S	3.125	4.751	4.756	.500	41	416271A	A	2.375	3.500	3.505	.375	41
*416026	S	3.000	4.249	4.254	.500	41	*416271N	N	2.375	3.500	3.505	.375	41
416029	S	5.750	7.874	7.881	.750	41	416273	S	2.500	3.623	3.628	.375	41
416029N	N	5.750	7.874	7.881	.750	41	416273V	V	2.500	3.623	3.628	.375	41
*416037	S	3.908	4.875	4.881	.500	41	*416275	S	2.875	3.623	3.628	.468	41
416039	S	5.750	7.500	7.508	.562	41	*416275N	N	2.875	3.623	3.628	.468	41
416041	S	3.750	4.626	4.632	.500	41	416278	S	2.625	4.249	4.254	.468	41
416043	S	3.875	5.751	5.756	.562	41	416282	S	2.750	4.249	4.254	.468	41
416044	S	7.250	8.250	8.257	.625	41	*416283	S	2.750	4.249	4.254	.500	41
416047	S	3.625	4.625	4.631	.500	41	416285	S	2.875	4.249	4.254	.500	41
*416049N	N	5.125	6.874	6.882	.625	41	*416286	S	2.875	4.249	4.254	.625	41
*416055	S	6.000	7.000	7.008	.625	41	*416287	S	3.125	4.249	4.254	.468	41
*416055N	N	6.000	7.000	7.008	.625	41	*416287H	H	3.125	4.249	4.254	.468	41
416070	S	4.500	6.125	6.131	.562	41	*416287N	N	3.125	4.249	4.254	.468	41
416071	S	2.375	3.751	3.756	.500	41	*416287V	V	3.125	4.249	4.254	.468	41
416077	S	7.125	8.625	8.632	.562	41	416288	S	3.125	4.249	4.254	.500	41
*416077N	N	7.125	8.625	8.632	.562	41	*416289	S	3.125	4.376	4.381	.562	41
*416100	S	10.625	13.000	13.008	.750	41	*416289N	N	3.125	4.376	4.381	.562	41
416102	S	7.625	8.625	8.632	.562	41	*416290	S	3.250	4.376	4.381	.562	41
416107	S	5.500	6.750	6.758	.575	41	416292	S	3.312	4.249	4.254	.500	41
416112	S	5.375	7.874	7.881	.750	41	416294	S	3.375	4.249	4.254	.500	41
*416112N	N	5.375	7.874	7.881	.750	41	*416294H	H	3.375	4.249	4.254	.500	41
*416113V	V	3.562	4.500	4.506	.500	41	*416294N	N	3.375	4.249	4.254	.500	41
*416122H	H	4.750	5.999	6.006	.562	41	416294V	V	3.375	4.249	4.254	.500	41
416125	S	3.625	4.999	5.004	.500	41	416297	S	3.125	4.626	4.631	.437	41
416127	S	3.750	5.376	5.381	.500	41	*416304	S	3.250	4.626	4.631	.625	41
*416128	S	3.875	5.501	5.506	.562	41	*416309	S	3.250	4.999	5.004	.500	41
416130	S	4.000	5.376	5.381	.500	41	416313	S	3.312	4.751	4.756	.500	41
416135	S	4.250	5.626	5.631	.500	41	416321	S	3.375	4.751	4.756	.500	41
*416136	S	4.250	5.876	5.881	.625	41	*416323	S	3.375	4.751	4.756	.625	41
*416136N	N	4.250	5.876	5.881	.625	41	416327	S	3.375	5.251	5.256	.468	41
416137	S	4.250	5.999	6.005	.500	41	*416331N	N	3.500	4.999	5.004	.500	41
416144	S	4.312	5.999	6.005	.500	41	416332	S	3.625	4.625	4.631	.437	41
416147	S	4.375	5.626	5.631	.500	41	*416333	S	3.625	4.751	4.756	.484	41
416149	S	4.375	5.999	6.005	.500	41	*416335	S	3.625	5.251	5.256	.468	41
416153	S	4.500	5.625	5.631	.500	41	*416335N	N	3.625	5.251	5.256	.468	41
*416153V	V	4.500	5.625	5.631	.500	41	*416335V	V	3.625	5.251	5.256	.468	41
416154	S	4.500	5.999	6.007	.500	41	416339	S	3.750	4.999	5.004	.500	41
416156	S	4.625	5.625	5.631	.500	41	*416339N	N	3.750	4.999	5.004	.500	41

NUMERICAL SECTION

For Illustration and Material Data See Technical Section
 * Call 1-800-480-1212 For Price and Delivery

Numerical List Size & Type

NATIONAL®



Part No.	Lip Mat'l	Shaft Size	Hsg. Bore	Seal O.D.	Seal Width	Type/ Illus.	Part No.	Lip Mat'l	Shaft Size	Hsg. Bore	Seal O.D.	Seal Width	Type/ Illus.
410000 SERIES (cont.)							410000 SERIES (cont.)						
*416342	S	3.875	4.626	4.631	.625	41	416888V	V	4.500	5.500	5.507	.500	41
*416342N	N	3.875	4.626	4.631	.625	41	416891	S	4.250	5.500	5.506	.500	41
416345	S	3.875	4.999	5.004	.500	41	416892	S	4.500	5.750	5.756	.500	41
*416345H	H	3.875	4.999	5.004	.500	41	416919	S	3.687	4.501	4.506	.500	41
*416350	S	3.937	4.999	5.004	.500	41	416919N	N	3.687	4.501	4.506	.500	41
416362	S	6.750	8.007	8.017	.625	41	416921	S	2.875	4.003	4.008	.375	41
*416362N	N	6.750	8.007	8.017	.625	41	416951	S	8.250	10.625	10.633	.750	41
*416362V	V	6.750	8.007	8.017	.625	41	416956	S	2.937	3.751	3.756	.375	41
416364	S	7.000	8.000	8.009	.625	41	*416961	S	2.750	4.331	4.336	.500	41
*416364N	N	7.000	8.000	8.009	.625	41	*416961N	N	2.750	4.331	4.336	.500	41
*416364V	V	7.000	8.000	8.009	.625	41	*416977	S	5.125	6.877	6.884	.625	41
*416365	S	3.437	4.501	4.506	.468	41	417016	S	7.875	10.000	10.008	.625	41
416370	S	3.000	4.751	4.756	.625	41	*417017	S	6.125	7.750	7.756	.750	41
416380	S	4.375	5.500	5.506	.500	41	*417018	S	9.375	12.750	12.758	1.250	41
416381	S	9.625	12.750	12.758	1.250	41	417020	S	10.000	12.000	12.008	.625	41
*416381V	V	9.620	12.750	12.758	1.250	41	417022	S	8.375	10.375	10.385	.625	41
416383	S	10.750	13.374	13.381	1.250	41	417040	S	5.625	7.125	7.131	.500	41
*416389	S	3.625	5.501	5.506	.562	41	*417053N	N	6.125	7.875	7.881	.750	41
416394	S	8.500	10.625	10.633	.750	41	417073	S	2.437	3.543	3.548	.375	41
*416395	S	7.250	9.125	9.133	.750	41	417079	S	2.625	3.543	3.548	.375	41
*416403	S	7.995	10.000	10.010	.750	41	417082	S	2.625	4.003	4.008	.375	41
416404	S	3.125	4.003	4.008	.375	41	*417114	S	7.875	10.000	10.008	.750	41
*416404V	V	3.125	4.003	4.008	.375	41	417115	S	7.750	10.000	10.008	.750	41
*416414	S	3.500	4.500	4.506	.500	41	*417116	S	10.500	13.375	13.383	1.250	41
416422	S	8.250	11.500	11.507	.750	41	*417123	S	4.000	6.312	6.318	.500	41
*416422N	N	8.250	11.500	11.507	.750	41	417134	S	2.875	4.125	4.130	.375	41
*416426H	H	2.875	4.331	4.336	.500	41	417158	S	2.875	3.876	3.881	.375	41
*416426N	N	2.875	4.331	4.336	.500	41	417159	S	2.937	3.876	3.881	.375	41
416444	S	2.312	3.500	3.505	.375	41	417159V	V	2.937	3.876	3.881	.375	41
416470N	N	3.250	4.249	4.254	.375	41	417171	S	3.125	4.375	4.381	.500	41
416476	S	5.875	7.125	7.133	.500	41	417172	S	3.125	4.500	4.506	.500	41
*416482	S	7.625	8.623	8.630	.715	41	417181	S	3.250	4.376	4.381	.500	41
416500	S	2.937	3.937	3.942	.500	41	417191	S	3.375	4.500	4.506	.500	41
*416500N	N	2.937	3.937	3.942	.500	41	*417191V	V	3.375	4.500	4.506	.500	41
416556	S	4.250	5.250	5.256	.500	41	417196	S	3.500	4.625	4.631	.500	41
416557	S	5.125	6.125	6.131	.500	41	*417196V	V	3.500	4.625	4.631	.500	41
*416592	S	6.500	9.252	9.260	.750	41	417198	S	3.500	4.875	4.881	.500	41
*416621	S	4.875	6.000	6.006	.562	41	417205	S	3.750	4.875	4.881	.500	41
*416621N	N	4.875	6.000	6.006	.562	41	417210	S	3.875	4.751	4.756	.375	41
416624	S	3.500	4.376	4.381	.500	41	417211	S	3.875	4.875	4.881	.500	41
416624N	N	3.500	4.376	4.381	.500	41	417223	S	4.000	6.250	6.256	.500	41
*416624V	V	3.500	4.376	4.381	.500	41	417238	S	4.312	6.250	6.256	.500	41
416654	S	2.937	4.003	4.008	.375	41	*417246	S	4.625	6.250	6.256	.500	41
416657	S	8.875	10.122	10.130	.750	41	417247	S	4.750	6.001	6.007	.500	41
416664	S	2.750	3.500	3.505	.375	41	417252	S	4.750	6.125	6.131	.500	41
416664V	V	2.750	3.500	3.505	.375	41	417254	S	5.500	6.500	6.507	.562	41
416666	S	5.750	7.001	7.008	.562	41	*417254N	N	5.500	6.500	6.507	.562	41
*416666V	V	5.750	7.001	7.008	.562	41	417255	S	7.000	8.375	8.382	.625	41
416670	S	3.687	5.250	5.256	.468	41	417258	S	5.125	6.250	6.256	.500	41
*416670N	N	3.687	5.250	5.256	.468	41	417262	S	5.250	6.250	6.256	.500	41
*416673	S	4.187	6.000	6.007	.625	41	417262V	V	5.250	6.250	6.256	.500	41
*416673N	N	4.187	6.000	6.007	.625	41	417267	S	4.875	6.125	6.131	.500	41
*416674	S	7.000	8.375	8.382	.750	41	417269	S	4.875	6.250	6.256	.500	41
*416674N	N	7.000	8.375	8.382	.750	41	417273	S	4.937	6.250	6.256	.500	41
416674V	V	7.000	8.375	8.382	.750	41	417278	S	5.000	6.375	6.381	.500	41
416706	S	2.750	4.003	4.008	.375	41	417283	S	7.500	9.243	9.250	.625	41
*416706H	H	2.750	4.003	4.008	.375	41	*417283N	N	7.500	9.243	9.250	.625	41
416738	S	2.062	3.190	3.194	.437	41	417295	S	4.437	5.500	5.506	.500	41
*416738H	H	2.062	3.190	3.194	.437	41	417298	S	6.625	8.125	8.134	.625	41
416775	S	2.937	4.250	4.254	.468	41	417316	S	2.750	3.751	3.756	.375	41
*416795N	N	2.375	4.330	4.335	.500	41	417316V	V	2.750	3.751	3.756	.375	41
*416798	S	9.250	11.500	11.508	.750	41	*417316N	N	2.750	3.751	3.756	.375	41
*416801H	H	5.000	6.003	6.009	.500	41	417343	S	2.625	3.751	3.756	.375	41
416865	S	5.000	6.250	6.256	.500	41	417344	S	2.875	3.751	3.756	.375	41
416865V	V	5.000	6.250	6.256	.500	41	417349	S	3.000	3.751	3.756	.437	41
*416865N	N	5.000	6.251	6.256	.500	41	417349V	V	3.000	3.751	3.756	.437	41
*416866	S	4.750	6.250	6.256	.500	41	417350	S	3.000	3.876	3.881	.437	41
416888	S	4.500	5.500	5.506	.500	41	417351	S	3.000	4.125	4.130	.437	41

For Illustration and Material Data See Technical Section
 * Call 1-800-480-1212 For Price and Delivery

Part No.	Lip Mat'l	Shaft Size	Hsg. Bore	Seal O.D.	Seal Width	Type/ Illus.	Part No.	Lip Mat'l	Shaft Size	Hsg. Bore	Seal O.D.	Seal Width	Type/ Illus.
410000 SERIES (cont.)							410000 SERIES (cont.)						
417352	S	3.250	4.500	4.506	.500	41	417526	S	4.437	5.999	6.007	.500	41
417353	S	3.250	4.626	4.632	.500	41	417530	S	4.500	5.376	5.381	.437	41
417354	S	3.375	4.626	4.632	.500	41	417531	S	4.500	5.876	5.881	.500	41
417355	S	3.625	4.875	4.881	.500	41	417532	S	4.500	6.374	6.382	.500	41
417356	S	4.000	5.125	5.131	.500	41	417533	S	4.562	5.751	5.756	.500	41
417357	S	4.000	5.250	5.256	.500	41	417534	S	4.562	5.999	6.007	.500	41
417358	S	5.250	6.375	6.381	.500	41	417535	S	4.687	5.999	6.007	.500	41
417359	S	5.250	6.625	6.632	.562	41	417536	S	4.687	6.250	6.256	.500	41
417360	S	5.500	6.625	6.632	.562	41	417537	S	4.687	6.374	6.382	.500	41
417361	S	5.500	6.875	6.882	.562	41	417538	S	4.750	5.876	5.881	.500	41
417362	S	5.750	6.750	6.757	.575	41	*417538V	V	4.750	5.876	5.881	.500	41
*417362N	N	5.750	6.750	6.757	.575	41	417539	S	4.937	5.999	6.007	.500	41
*417362V	V	5.750	6.750	6.757	.575	41	417540	S	4.937	6.374	6.382	.500	41
417363	S	5.750	6.875	6.882	.562	41	417541	S	5.000	6.499	6.507	.500	41
417364	S	5.750	7.125	7.132	.562	41	417542	S	5.000	6.749	6.757	.500	41
417365	S	6.000	7.125	7.132	.562	41	417543	S	5.000	6.874	6.882	.500	41
417366	S	3.875	5.250	5.256	.500	41	*417543V	V	5.000	6.874	6.882	.500	41
*417374	S	9.500	11.500	11.510	.750	41	417544	S	5.000	7.000	7.007	.500	41
417385	S	7.500	10.500	10.510	.750	41	417545	S	5.000	7.500	7.507	.500	41
*417385V	V	7.500	10.500	10.510	.750	41	417546	S	5.125	6.374	6.382	.500	41
*417401	S	3.992	5.875	5.881	.625	41	417547	S	5.125	6.499	6.507	.500	41
*417419	S	5.500	8.500	8.507	.625	41	417548	S	5.187	6.499	6.507	.500	41
417433	S	3.250	4.003	4.008	.375	41	417549	S	5.250	6.750	6.757	.500	41
*417452	S	4.250	6.750	6.757	.625	41	417550	S	5.312	6.500	6.507	.500	41
417474	S	1.937	3.543	3.548	.375	41	417551	S	5.375	6.374	6.380	.500	41
417480	S	2.375	3.876	3.881	.375	41	417554	S	5.375	6.749	6.757	.500	41
*417480N	N	2.375	3.876	3.881	.375	41	417555	S	5.625	6.624	6.631	.500	41
417481	S	2.562	3.750	3.756	.375	41	417556	S	5.625	6.874	6.882	.500	41
*417483	S	2.625	3.876	3.881	.437	41	*417556V	V	5.625	6.874	6.882	.500	41
417484	S	2.750	3.543	3.548	.375	41	417562	S	6.250	7.750	7.758	.500	41
417484N	N	2.750	3.543	3.548	.375	41	417563	S	6.375	7.875	7.883	.500	41
417485	S	2.812	3.876	3.881	.437	41	417564	S	7.000	8.750	8.759	.625	41
417486	S	2.937	4.125	4.130	.375	41	417567	S	8.625	10.625	10.635	.750	41
417487	S	3.000	4.249	4.254	.437	41	417570	S	10.250	12.250	12.260	.750	41
417488	S	3.000	4.376	4.381	.500	41	417571	S	11.000	12.500	12.510	.625	41
417490	S	3.187	4.376	4.381	.500	41	417584	S	5.000	6.126	6.131	.562	41
417491	S	3.312	4.376	4.381	.500	41	417596	S	6.750	8.250	8.257	.562	41
417492	S	3.437	4.501	4.506	.375	41	417597	S	7.000	8.250	8.257	.625	41
417492V	V	3.437	4.501	4.506	.375	41	417598	S	7.625	9.125	9.133	.625	41
417493	S	3.437	4.626	4.631	.500	41	417598V	V	7.625	9.125	9.133	.625	41
*417493V	V	3.437	4.626	4.631	.500	41	417600	S	8.000	9.250	9.258	.625	41
417494	S	3.437	4.876	4.881	.500	41	417601	S	8.000	9.500	9.508	.625	41
417495	S	3.500	5.126	5.131	.500	41	417602	S	8.000	10.000	10.008	.625	41
417496	S	3.500	5.500	5.505	.500	41	*417602N	N	8.000	10.000	10.008	.625	41
417497	S	3.562	4.751	4.756	.500	41	417603	S	8.500	10.000	10.008	.625	41
417498	S	3.562	4.876	4.881	.500	41	417604	S	8.500	10.500	10.508	.625	41
417499	S	3.625	5.251	5.256	.437	41	417605	S	10.000	11.000	11.008	.625	41
417500	S	3.625	5.501	5.506	.500	41	417606	S	9.500	11.500	11.508	.625	41
417501	S	3.687	4.750	4.756	.500	41	*417606V	V	9.500	11.500	11.508	.625	41
417502	S	3.687	5.501	5.506	.500	41	*417607	S	10.500	13.375	13.383	.750	41
417503	S	3.750	5.501	5.506	.500	41	417608	S	12.000	14.000	14.010	.750	41
417504	S	3.812	4.876	4.881	.500	41	417621	S	3.125	4.125	4.130	.375	41
417505	S	3.875	5.501	5.506	.500	41	*417641	S	10.625	12.500	12.508	.625	41
417506	S	3.937	5.501	5.506	.500	41	*417650	S	3.625	6.000	6.006	.500	41
417507	S	4.000	5.626	5.632	.375	41	*417657	S	7.875	9.250	9.258	1.000	41
417509	S	4.000	5.999	6.005	.500	41	417698	S	3.625	4.376	4.381	.375	41
417511	S	4.125	5.126	5.132	.500	41	*417730	S	2.937	4.003	4.008	.625	41
417512	S	4.125	5.501	5.506	.500	41	*417756	S	10.500	12.500	12.508	.625	41
417513	S	4.187	5.501	5.506	.500	41	417780	S	5.937	7.502	7.508	.562	41
417514	S	4.187	5.751	5.756	.500	41	417817	S	7.937	8.750	8.757	.565	41
417515	S	4.187	6.000	6.007	.500	41	*417904N	N	7.500	9.750	9.758	.625	41
417516	S	4.187	6.250	6.256	.500	41	417921	S	6.187	7.250	7.258	.734	41
*417516V	V	4.187	6.250	6.256	.500	41	417939	S	9.910	10.995	11.005	.625	41
417518	S	4.250	6.126	6.133	.500	41	417940	S	9.000	10.088	10.095	.625	41
417520	S	4.312	5.751	5.756	.500	41	*417942V	V	5.625	6.750	6.757	.500	41
417522	S	4.375	6.125	6.131	.500	41	417967★	S	100.00	123.85	123.98	12.70	41
*417522V	V	4.375	6.125	6.131	.500	41	3.937	4.876	4.881	.500			
417525	S	4.437	5.751	5.756	.500	41	417986N	N	2.750	5.500	5.506	.500	41

NUMERICAL SECTION

For Illustration and Material Data See Technical Section
 * Call 1-800-480-1212 For Price and Delivery ★ Metric Seal

Numerical List Size & Type

NATIONAL®

Part No.	Lip Mat'l	Shaft Size	Hsg. Bore	Seal O.D.	Seal Width	Type/ Illus.	Part No.	Lip Mat'l	Shaft Size	Hsg. Bore	Seal O.D.	Seal Width	Type/ Illus.
410000 SERIES (cont.)							450000 SERIES (cont.)						
417987N	N	3.250	5.500	5.506	.500	41	*450027	S	.750	1.375	1.379	.406	45
418027	S	2.625	4.437	4.441	.437	41	*450027H	H	.750	1.375	1.379	.406	45
418028	S	3.250	4.500	4.506	.375	41	*450027N	N	.750	1.375	1.379	.406	45
418029	S	3.437	4.249	4.254	.375	41	*450028	S	.750	1.499	1.503	.390	45
*418029V	V	3.437	4.249	4.254	.375	41	*450029	S	.781	1.499	1.503	.390	45
*418038	S	4.187	4.999	5.004	.375	41	450030	S	.812	1.499	1.503	.390	45
440000 SERIES							450000 SERIES (cont.)						
440131	S	.875	1.375	1.379	.187	44	*450030N	N	.812	1.499	1.503	.390	45
440265	S	1.687	2.623	2.627	.375	44	*450032	S	.875	1.499	1.503	.390	45
440511	S	2.625	3.371	3.376	.250	44	*450032N	N	.875	1.499	1.503	.390	45
*440905	S	2.000	2.625	2.629	.250	44	*450033	S	.750	1.828	1.832	.437	45
440972	S	2.125	3.371	3.376	.312	44	*450034	S	.781	1.828	1.832	.437	45
441130	S	1.000	1.375	1.379	.187	44	*450035	S	.812	1.828	1.832	.437	45
*441130N	N	1.000	1.375	1.379	.187	44	*450037	S	.875	1.828	1.832	.437	45
441148	S	2.000	3.264	3.269	.250	44	*450037N	N	.875	1.828	1.832	.437	45
*441267	S	.875	1.375	1.379	.250	44	450038	S	.906	1.828	1.832	.437	45
441319	S	1.218	1.979	1.983	.250	44	450039	S	.937	1.828	1.832	.437	45
441853	S	1.875	2.561	2.565	.500	44	450040	S	.968	1.828	1.832	.437	45
442109	S	2.250	3.371	3.376	.375	44	*450041	S	1.000	1.828	1.832	.437	45
*442110	S	2.500	3.251	3.256	.250	44	*450041N	N	1.000	1.828	1.832	.437	45
*442168	S	.875	1.187	1.191	.185	44	450043	S	1.062	1.828	1.832	.437	45
442251	S	1.718	2.561	2.565	.500	44	450044	S	1.093	1.828	1.832	.437	45
442251V	V	1.718	2.561	2.565	.500	44	*450045	S	1.125	1.828	1.832	.437	45
*442270	S	2.250	3.371	3.376	.500	44	*450045H	H	1.125	1.828	1.832	.437	45
442380	S	2.500	3.251	3.256	.312	44	*450045N	N	1.125	1.828	1.832	.437	45
442507	S	2.375	3.350	3.355	.250	44	*450045V	V	1.125	1.828	1.832	.437	45
442874	S	2.312	3.000	3.005	.250	44	*450046	S	1.156	1.983	1.987	.437	45
443018	S	1.500	1.983	1.988	.187	44	*450047	S	1.187	1.983	1.987	.437	45
*443389	S	1.750	2.624	2.628	.250	44	450048	S	1.218	1.983	1.987	.437	45
*443527	S	1.500	1.875	1.879	.187	44	*450049	S	1.250	1.983	1.987	.437	45
444042	S	2.500	3.500	3.505	.250	44	*450049N	N	1.250	1.983	1.987	.437	45
444116	S	1.812	2.327	2.332	.437	44	*450050	S	1.281	1.983	1.987	.437	45
*444118★	S	45.00	72.20	72.34	7.50	44	*450051	S	1.156	2.062	2.066	.437	45
444258	S	.375	.836	.841	.187	44	*450051V	V	1.156	2.062	2.066	.437	45
*446631	S	2.500	3.876	3.881	.375	44	*450052	S	1.187	2.062	2.066	.437	45
446927	S	3.500	4.125	4.130	.250	44	*450053	S	1.312	2.374	2.378	.500	45
447060	S	5.250	6.250	6.256	.250	44	450054	S	1.343	2.374	2.378	.500	45
*447060V	V	5.250	6.250	6.256	.250	44	*450055	S	1.375	2.374	2.378	.500	45
*447441	S	2.667	3.751	3.756	.500	44	*450055N	N	1.375	2.374	2.378	.500	45
*447582	S	6.000	7.127	7.133	.500	44	*450055V	V	1.375	2.374	2.378	.500	45
*447583	S	4.125	5.251	5.256	.375	44	*450057	S	1.437	2.374	2.378	.500	45
*447717	S	4.562	5.512	5.517	.250	44	*450057V	V	1.437	2.374	2.378	.500	45
*447722	S	4.562	5.312	5.317	.250	44	*450058	S	1.468	2.374	2.378	.500	45
447793	S	6.000	6.751	6.757	.375	44	*450059	S	1.500	2.374	2.378	.500	45
*447975	S	6.000	7.238	7.244	.472	44	*450059H	H	1.500	2.374	2.378	.500	45
450000 SERIES							450000 SERIES (cont.)						
450005	S	.500	1.124	1.128	.375	45	*450059N	N	1.500	2.374	2.378	.500	45
*450006	S	.531	1.124	1.128	.375	45	*450059V	V	1.500	2.374	2.378	.500	45
*450007	S	.562	1.124	1.128	.375	45	*450061	S	1.375	2.437	2.441	.468	45
*450007H	H	.562	1.124	1.128	.375	45	*450062	S	1.437	2.437	2.441	.468	45
*450008	S	.593	1.124	1.128	.375	45	*450063	S	1.500	2.437	2.441	.468	45
*450009	S	.625	1.124	1.128	.375	45	*450063H	H	1.500	2.437	2.441	.468	45
*450009V	V	.625	1.124	1.128	.375	45	*450064	S	1.562	2.437	2.441	.468	45
*450014	S	.500	1.250	1.254	.375	45	*450064N	N	1.562	2.437	2.441	.468	45
*450016	S	.562	1.250	1.254	.375	45	450065	S	1.593	2.437	2.441	.468	45
*450016H	H	.562	1.250	1.254	.375	45	450066	S	1.625	2.437	2.441	.468	45
*450017	S	.593	1.250	1.254	.375	45	*450066N	N	1.625	2.437	2.441	.468	45
*450017V	V	.593	1.250	1.254	.375	45	450067	S	1.500	2.502	2.506	.500	45
*450018	S	.625	1.250	1.254	.375	45	*450067N	N	1.500	2.502	2.506	.500	45
*450019	S	.500	1.375	1.379	.406	45	450068	S	1.718	2.623	2.627	.500	45
*450021	S	.562	1.375	1.379	.406	45	450069	S	1.625	2.623	2.627	.500	45
*450022	S	.593	1.375	1.379	.406	45	*450069N	N	1.625	2.623	2.627	.500	45
*450023	S	.625	1.375	1.379	.406	45	*450069V	V	1.625	2.623	2.627	.500	45
*450023H	H	.625	1.375	1.379	.406	45	*450070	S	1.750	2.623	2.627	.500	45
*450024	S	.656	1.375	1.379	.406	45	*450070H	H	1.750	2.623	2.627	.500	45
450025	S	.687	1.375	1.379	.406	45	*450070N	N	1.750	2.623	2.627	.500	45
							450000 SERIES (cont.)						
							*450070V	V	1.750	2.623	2.627	.500	45
							*450071	S	1.875	2.623	2.627	.500	45
							*450071H	H	1.875	2.623	2.627	.500	45
							*450071N	N	1.875	2.623	2.627	.500	45

For Illustration and Material Data See Technical Section
 * Call 1-800-480-1212 For Price and Delivery ★ Metric Seal

Part No.	Lip Mat'l	Shaft Size	Hsg. Bore	Seal O.D.	Seal Width	Type/ Illus.	Part No.	Lip Mat'l	Shaft Size	Hsg. Bore	Seal O.D.	Seal Width	Type/ Illus.
450000 SERIES (cont.)							450000 SERIES (cont.)						
*450071V	V	1.875	2.623	2.627	.500	45	*450140N	N	1.250	1.752	1.756	.437	45
*450072	S	1.625	2.686	2.690	.500	45	*450141	S	.750	1.250	1.254	.375	45
450073	S	1.656	2.686	2.690	.500	45	*450141V	V	.750	1.250	1.254	.375	45
*450074	S	1.687	2.686	2.690	.500	45	450143	S	1.562	2.561	2.565	.500	45
450076	S	1.750	2.686	2.690	.500	45	*450144	S	1.437	2.502	2.506	.500	45
*450076N	N	1.750	2.686	2.690	.500	45	*450145	S	1.937	2.996	3.001	.500	45
*450076V	V	1.750	2.686	2.690	.500	45	450147	S	1.312	2.996	3.001	.500	45
*450077	S	1.500	2.758	2.762	.500	45	*450152	S	1.187	2.125	2.129	.437	45
*450077N	N	1.500	2.758	2.762	.500	45	*450153	S	1.375	2.106	2.110	.468	45
450078	S	1.625	2.875	2.879	.468	45	*450153N	N	1.375	2.106	2.110	.468	45
*450079	S	1.656	2.875	2.879	.468	45	450154	S	1.687	2.502	2.506	.500	45
*450080	S	1.687	2.875	2.879	.468	45	*450155	S	1.750	2.758	2.762	.500	45
450082	S	1.875	2.875	2.879	.468	45	*450157	S	1.000	2.000	2.004	.437	45
*450082N	N	1.875	2.875	2.879	.468	45	*450158	S	1.062	2.000	2.004	.437	45
450083	S	2.000	2.875	2.879	.468	45	450159	S	1.093	2.000	2.004	.437	45
450084	S	1.875	2.996	3.001	.500	45	*450160	S	1.125	2.000	2.004	.437	45
450085	S	2.000	2.996	3.001	.500	45	450161	S	1.156	2.000	2.004	.437	45
*450085N	N	2.000	2.996	3.001	.500	45	*450161H	H	1.156	2.000	2.004	.437	45
*450085V	V	2.000	2.996	3.001	.500	45	*450161V	V	1.156	2.000	2.004	.437	45
*450086	S	1.687	3.062	3.066	.500	45	*450162	S	1.187	2.000	2.004	.437	45
450087	S	1.750	3.061	3.066	.500	45	*450162N	N	1.187	2.000	2.004	.437	45
*450088	S	1.750	3.189	3.194	.437	45	*450163	S	1.250	2.000	2.004	.437	45
450089	S	1.781	3.189	3.194	.437	45	*450163N	N	1.250	2.000	2.004	.437	45
450090	S	1.812	3.189	3.194	.437	45	*450164	S	1.281	2.000	2.004	.437	45
*450092	S	1.875	3.189	3.194	.437	45	*450165	S	1.250	2.250	2.254	.500	45
450094	S	1.937	3.189	3.194	.437	45	*450165H	H	1.250	2.250	2.254	.500	45
450094N	N	1.937	3.189	3.194	.437	45	*450167	S	1.312	2.250	2.254	.500	45
450095	S	2.000	3.189	3.194	.437	45	*450169	S	1.375	2.250	2.254	.500	45
*450095N	N	2.000	3.189	3.194	.437	45	*450169N	N	1.375	2.250	2.254	.500	45
450096	S	2.062	3.189	3.194	.437	45	*450169V	V	1.375	2.250	2.254	.500	45
*450096H	H	2.062	3.189	3.194	.437	45	450173	S	1.218	2.000	2.004	.437	45
*450097	S	2.125	3.350	3.355	.468	45	450177	S	1.250	2.106	2.110	.468	45
*450098	S	2.187	3.350	3.355	.468	45	*450179	S	1.312	2.106	2.110	.468	45
450099	S	2.250	3.350	3.355	.468	45	*450180	S	1.343	2.106	2.110	.468	45
*450100	S	2.312	3.350	3.355	.468	45	*450182	S	1.125	1.983	1.987	.437	45
450101	S	2.375	3.350	3.355	.468	45	450183	S	1.750	2.750	2.754	.500	45
*450101H	H	2.375	3.350	3.355	.468	45	*450183N	N	1.750	2.750	2.754	.500	45
*450101N	N	2.375	3.350	3.355	.468	45	*450183V	V	1.750	2.750	2.754	.500	45
*450102	S	2.000	3.371	3.376	.468	45	*450184	S	.937	1.499	1.503	.390	45
*450102H	H	2.000	3.371	3.376	.468	45	450185	S	1.562	2.502	2.506	.500	45
450103	S	2.375	3.481	3.486	.500	45	450185V	V	1.562	2.502	2.506	.500	45
450104	S	2.437	3.481	3.486	.500	45	*450185H	H	1.562	2.502	2.506	.500	45
*450109	S	1.562	2.750	2.754	.500	45	*450185N	N	1.562	2.502	2.506	.500	45
450111	S	1.968	3.350	3.355	.468	45	*450186	S	1.687	2.750	2.754	.500	45
450115	S	2.125	2.996	3.001	.500	45	*450187	S	1.000	2.062	2.066	.437	45
*450115N	N	2.125	2.996	3.001	.500	45	450188	S	1.062	1.561	1.565	.375	45
450116	S	1.812	2.875	2.879	.468	45	*450189	S	1.125	1.752	1.756	.437	45
450117	S	1.875	2.750	2.754	.500	45	*450189H	H	1.125	1.752	1.756	.437	45
450118	S	1.812	2.750	2.754	.500	45	*450190	S	1.500	2.561	2.565	.500	45
*450119	S	.500	.999	1.003	.375	45	*450193	S	1.812	2.996	3.001	.500	45
*450120	S	1.000	1.499	1.503	.390	45	450194	S	1.625	2.502	2.506	.500	45
*450120H	H	1.000	1.499	1.503	.390	45	*450194H	H	1.625	2.502	2.506	.500	45
450121	S	2.125	3.189	3.194	.437	45	*450194N	N	1.625	2.502	2.506	.500	45
*450121N	N	2.125	3.189	3.194	.437	45	*450202	S	.562	.999	1.003	.375	45
*450121V	V	2.125	3.189	3.194	.437	45	*450202N	N	.562	.999	1.003	.375	45
*450122	S	1.437	2.623	2.627	.500	45	*450203	S	.781	1.375	1.379	.406	45
*450124	S	1.281	2.062	2.066	.437	45	*450204	S	.812	1.375	1.379	.406	45
*450127	S	1.062	1.874	1.878	.437	45	*450204N	N	.812	1.375	1.379	.406	45
*450127H	H	1.062	1.874	1.878	.437	45	*450205	S	.687	1.499	1.503	.390	45
450132	S	2.250	3.371	3.376	.468	45	*450205N	N	.687	1.499	1.503	.390	45
450133	S	2.312	3.371	3.376	.468	45	*450208	S	.968	1.499	1.503	.390	45
*450135	S	1.375	2.125	2.129	.437	45	*450210	S	1.062	1.499	1.503	.390	45
*450136	S	1.500	2.250	2.254	.500	45	*450211	S	.750	1.624	1.628	.437	45
*450136N	N	1.500	2.250	2.254	.500	45	*450213	S	.812	1.624	1.628	.437	45
*450137	S	.687	1.124	1.128	.375	45	*450215	S	.875	1.624	1.628	.437	45
*450138	S	1.937	2.686	2.690	.500	45	*450217	S	.937	1.624	1.628	.437	45
*450139	S	2.187	2.996	3.001	.500	45	*450217V	V	.937	1.624	1.628	.437	45
*450140	S	1.250	1.752	1.756	.437	45	*450218	S	.968	1.624	1.628	.437	45

NUMERICAL SECTION

For Illustration and Material Data See Technical Section
 * Call 1-800-480-1212 For Price and Delivery

Numerical List Size & Type

NATIONAL®



Part No.	Lip Mat'l	Shaft Size	Hsg. Bore	Seal O.D.	Seal Width	Type/Illus.	Part No.	Lip Mat'l	Shaft Size	Hsg. Bore	Seal O.D.	Seal Width	Type/Illus.
450000 SERIES (cont.)							450000 SERIES (cont.)						
*450218N	N	.968	1.624	1.628	.437	45	*450306	S	1.937	3.061	3.066	.500	45
*450219	S	1.000	1.624	1.628	.437	45	450307	S	2.062	3.061	3.066	.500	45
*450219H	H	1.000	1.624	1.628	.437	45	450308	S	2.125	3.061	3.066	.500	45
*450219N	N	1.000	1.624	1.628	.437	45	*450309	S	1.937	3.125	3.130	.500	45
*450220	S	1.031	1.624	1.628	.437	45	*450310	S	2.000	3.125	3.130	.500	45
*450221	S	1.062	1.624	1.628	.437	45	*450310N	N	2.000	3.125	3.130	.500	45
*450222	S	.750	1.752	1.756	.437	45	450311	S	2.062	3.125	3.130	.500	45
*450223	S	.781	1.752	1.756	.437	45	450312	S	2.125	3.125	3.130	.500	45
*450224	S	.812	1.752	1.756	.437	45	*450312N	N	2.125	3.125	3.130	.500	45
*450226	S	.875	1.752	1.756	.437	45	450313	S	2.062	3.251	3.256	.500	45
*450228	S	.937	1.752	1.756	.437	45	*450314	S	2.125	3.251	3.256	.500	45
*450229	S	.968	1.752	1.756	.437	45	*450315	S	2.187	3.251	3.256	.500	45
*450230	S	1.000	1.752	1.756	.437	45	450316	S	2.250	3.251	3.256	.500	45
*450230N	N	1.000	1.752	1.756	.437	45	*450316H	H	2.250	3.251	3.256	.500	45
*450232	S	1.062	1.752	1.756	.437	45	*450316N	N	2.250	3.251	3.256	.500	45
*450233	S	1.000	1.874	1.878	.437	45	450317	S	2.312	3.251	3.256	.500	45
*450236	S	1.125	1.874	1.878	.437	45	*450317N	N	2.312	3.251	3.256	.500	45
*450236H	H	1.125	1.874	1.878	.437	45	*450320	S	2.375	3.189	3.194	.437	45
*450241	S	1.125	2.062	2.066	.437	45	*450322	S	2.437	3.251	3.256	.500	45
*450244	S	1.250	2.062	2.066	.437	45	*450323	S	2.500	3.189	3.194	.437	45
*450244N	N	1.250	2.062	2.066	.437	45	*450323V	V	2.500	3.189	3.194	.437	45
*450245	S	1.250	2.125	2.129	.437	45	*450324	S	2.437	3.371	3.376	.468	45
*450245N	N	1.250	2.125	2.129	.437	45	450326	S	1.500	2.996	3.001	.500	45
*450247	S	1.312	2.125	2.129	.437	45	450329	S	2.625	3.350	3.356	.468	45
*450248	S	1.343	2.125	2.129	.437	45	*450329H	H	2.625	3.350	3.356	.468	45
*450255	S	1.468	2.437	2.441	.468	45	*450330	S	2.500	3.371	3.376	.468	45
*450258	S	1.593	2.502	2.506	.500	45	*450330H	H	2.500	3.371	3.376	.468	45
450260	S	1.656	2.502	2.506	.500	45	*450331	S	1.843	2.750	2.754	.500	45
*450261	S	2.062	2.996	3.001	.500	45	*450331N	N	1.843	2.750	2.754	.500	45
*450262	S	1.562	2.623	2.627	.500	45	450332	S	1.125	2.437	2.441	.468	45
*450265	S	1.687	2.623	2.627	.500	45	450335	S	1.625	3.062	3.066	.500	45
*450267	S	1.812	2.623	2.627	.500	45	*450336	S	1.187	2.250	2.254	.500	45
*450267N	N	1.812	2.623	2.627	.500	45	*450336H	H	1.187	2.250	2.254	.500	45
*450268	S	1.843	2.623	2.627	.500	45	450339	S	.968	2.062	2.066	.437	45
*450268N	N	1.843	2.623	2.627	.500	45	*450339N	N	.968	2.062	2.066	.437	45
450269	S	1.781	2.686	2.690	.500	45	450340	S	.750	1.561	1.565	.375	45
*450270	S	1.812	2.686	2.690	.500	45	450341	S	1.250	2.713	2.717	.468	45
*450272	S	1.875	2.686	2.690	.500	45	450342	S	1.062	1.983	1.987	.437	45
450273	S	1.562	2.758	2.762	.500	45	*450342N	N	1.062	1.983	1.987	.437	45
450274	S	1.593	2.758	2.762	.500	45	450343	S	2.062	3.371	3.376	.468	45
*450274H	H	1.593	2.758	2.762	.500	45	*450344	S	1.187	1.828	1.832	.437	45
450275	S	1.625	2.758	2.762	.500	45	*450347	S	1.187	2.437	2.441	.468	45
450279	S	1.937	2.758	2.762	.500	45	450350	S	2.375	3.371	3.376	.468	45
450280	S	1.781	2.758	2.762	.500	45	*450350H	H	2.375	3.371	3.376	.468	45
*450281	S	1.812	2.758	2.762	.500	45	*450350N	N	2.375	3.371	3.376	.468	45
*450283	S	1.875	2.758	2.762	.500	45	*450351	S	1.750	2.437	2.441	.468	45
*450283H	H	1.875	2.758	2.762	.500	45	*450351N	N	1.750	2.437	2.441	.468	45
*450284	S	1.656	2.750	2.754	.500	45	450352	S	1.750	2.502	2.506	.500	45
450285	S	1.781	2.750	2.754	.500	45	*450352H	H	1.750	2.502	2.506	.500	45
*450286	S	1.625	2.750	2.754	.500	45	*450352N	N	1.750	2.502	2.506	.500	45
*450286N	N	1.625	2.750	2.754	.500	45	*450354	S	2.187	3.189	3.194	.437	45
450291	S	1.750	2.875	2.879	.468	45	*450355	S	.687	1.250	1.254	.375	45
450291N	N	1.750	2.875	2.879	.468	45	*450358	S	1.625	2.374	2.378	.500	45
*450291V	V	1.750	2.875	2.879	.468	45	*450358N	N	1.625	2.374	2.378	.500	45
*450293	S	1.843	2.875	2.879	.468	45	*450359	S	1.750	2.996	3.001	.500	45
*450295	S	1.937	2.875	2.879	.468	45	*450360	S	2.000	2.686	2.690	.500	45
*450298	S	1.875	3.000	3.005	.500	45	*450360H	H	2.000	2.686	2.690	.500	45
*450300	S	1.937	3.000	3.005	.500	45	450361	S	1.750	2.561	2.565	.500	45
450301	S	2.000	3.000	3.005	.500	45	450362	S	1.156	2.125	2.129	.437	45
*450301H	H	2.000	3.000	3.005	.500	45	*450363	S	1.687	2.502	2.506	.375	45
*450301N	N	2.000	3.000	3.005	.500	45	*450363H	H	1.687	2.502	2.506	.375	45
*450302	S	2.062	3.000	3.005	.500	45	450365	S	2.125	2.875	2.879	.468	45
*450302H	H	2.062	3.000	3.005	.500	45	450365N	N	2.125	2.875	2.879	.468	45
450303	S	2.125	3.000	3.005	.500	45	*450365V	V	2.125	2.875	2.879	.468	45
*450303N	N	2.125	3.000	3.005	.500	45	*450373	S	2.062	2.875	2.879	.468	45
*450303V	V	2.125	3.000	3.005	.500	45	*450374	S	2.437	3.350	3.355	.468	45
*450304	S	1.875	3.061	3.066	.500	45	450375	S	1.765	2.412	2.416	.468	45
*450304H	H	1.875	3.061	3.066	.500	45	*450381	S	1.125	1.624	1.628	.437	45

For Illustration and Material Data See Technical Section
 * Call 1-800-480-1212 For Price and Delivery

Part No.	Lip Mat'l	Shaft Size	Hsg. Bore	Seal O.D.	Seal Width	Type/Illus.	Part No.	Lip Mat'l	Shaft Size	Hsg. Bore	Seal O.D.	Seal Width	Type/Illus.
450000 SERIES (cont.)							450000 SERIES (cont.)						
450389	S	2.000	2.750	2.754	.500	45	*450532	S	2.062	3.350	3.355	.468	45
*450389H	H	2.000	2.750	2.754	.500	45	450533	S	1.687	3.189	3.194	.437	45
*450394	S	1.500	2.125	2.129	.437	45	450535	S	.625	1.246	1.250	.375	45
*450394N	N	1.500	2.125	2.129	.437	45	450536	S	.562	1.246	1.250	.375	45
*450394V	V	1.500	2.125	2.129	.437	45	*450536N	N	.562	1.246	1.250	.375	45
*450398	S	.875	1.374	1.379	.406	45	450539	S	1.625	3.000	3.005	.500	45
450400	S	1.750	2.250	2.254	.359	45	450540	S	1.500	3.189	3.194	.437	45
*450400V	V	1.750	2.250	2.254	.359	45	*450541	S	1.000	1.752	1.756	.375	45
*450403	S	1.375	2.062	2.066	.437	45	*450543	S	2.000	2.716	2.720	.468	45
*450407	S	3.146	4.003	4.008	.468	45	*450543H	H	2.000	2.716	2.720	.468	45
*450410	S	2.000	2.623	2.627	.500	45	450543V	V	2.000	2.716	2.720	.468	45
*450410N	N	2.000	2.623	2.627	.500	45	450545	S	.968	1.575	1.579	.375	45
450412	S	2.625	3.481	3.486	.500	45	*450548	S	1.500	2.250	2.254	.375	45
450415	S	1.625	2.996	3.001	.500	45	*450548N	N	1.500	2.250	2.254	.375	45
*450418	S	1.562	2.875	2.879	.468	45	*450549	S	1.000	1.983	1.987	.437	45
*450424	S	.875	1.874	1.878	.437	45	*450551	S	2.312	3.125	3.130	.500	45
*450426	S	1.125	2.000	2.004	.375	45	*450552	S	2.375	3.125	3.130	.500	45
450430	S	1.125	2.875	2.879	.468	45	*450552N	N	2.375	3.125	3.130	.500	45
450431	S	.812	1.250	1.254	.375	45	*450553	S	1.000	1.499	1.503	.312	45
*450433	S	2.250	3.125	3.130	.500	45	*450553H	H	1.000	1.499	1.503	.312	45
*450433N	N	2.250	3.125	3.130	.500	45	*450557	S	.625	1.377	1.381	.406	45
*450438	S	1.562	2.374	2.378	.500	45	*450559	S	1.250	2.374	2.378	.500	45
*450438N	N	1.562	2.374	2.378	.500	45	*450565	S	2.375	3.125	3.130	.375	45
450441	S	2.250	2.996	3.001	.500	45	*450567	S	.875	1.375	1.379	.312	45
*450441N	N	2.250	2.996	3.001	.500	45	*450567H	H	.875	1.375	1.379	.312	45
450444	S	1.375	2.502	2.506	.500	45	*450567N	N	.875	1.375	1.379	.312	45
450446	S	2.000	2.713	2.717	.468	45	*450567V	V	.875	1.375	1.379	.312	45
*450449	S	1.000	1.561	1.565	.375	45	*450571	S	2.000	3.251	3.256	.500	45
450451	S	1.500	2.062	2.066	.437	45	*450574	S	2.375	3.251	3.256	.500	45
*450451H	H	1.500	2.062	2.066	.437	45	*450574H	H	2.375	3.251	3.256	.500	45
450452	S	1.375	2.835	2.839	.468	45	*450574N	N	2.375	3.251	3.256	.500	45
*450452N	N	1.375	2.835	2.839	.468	45	*450580	S	.750	1.575	1.579	.375	45
*450453	S	1.437	2.125	2.129	.437	45	450588	S	.812	1.575	1.579	.375	45
*450453N	N	1.437	2.125	2.129	.437	45	*450591	S	.812	1.874	1.878	.437	45
*450455	S	1.937	2.623	2.627	.500	45	*450592	S	.812	1.499	1.503	.312	45
450456	S	1.375	2.716	2.720	.468	45	*450592N	N	.812	1.499	1.503	.312	45
450457	S	.984	1.828	1.832	.437	45	450593	S	1.000	1.828	1.832	.296	45
450461	S	1.500	2.750	2.754	.500	45	*450596	S	1.687	2.835	2.839	.468	45
450463	S	1.375	2.750	2.754	.500	45	*450600	S	1.156	2.250	2.254	.500	45
450467	S	1.625	3.251	3.256	.500	45	450604	S	1.125	2.250	2.254	.500	45
*450469	S	.656	1.250	1.254	.375	45	*450604N	N	1.125	2.250	2.254	.500	45
450472	S	1.968	2.686	2.690	.500	45	*450605	S	2.500	3.371	3.376	.375	45
450474	S	1.968	2.875	2.879	.468	45	*450605H	H	2.500	3.371	3.376	.375	45
*450479	S	1.687	2.437	2.441	.468	45	*450610	S	.750	1.874	1.878	.437	45
*450481	S	1.250	2.437	2.441	.468	45	*450614	S	2.250	3.251	3.256	.437	45
450482	S	1.156	1.828	1.832	.437	45	450621	S	2.156	3.189	3.194	.437	45
*450487	S	1.500	2.686	2.690	.500	45	*450621N	N	2.156	3.189	3.194	.437	45
450489	S	2.187	2.875	2.879	.468	45	450626	S	2.625	3.371	3.376	.468	45
450492	S	1.375	3.350	3.355	.468	45	*450628	S	1.062	2.062	2.066	.437	45
*450493	S	1.500	3.350	3.355	.468	45	450639	S	2.125	2.835	2.839	.468	45
450494	S	1.750	2.502	2.506	.375	45	*450645	S	.875	2.000	2.004	.437	45
450496	S	2.500	3.350	3.355	.468	45	*450649	S	.656	1.375	1.379	.312	45
*450497	S	1.968	3.371	3.376	.468	45	*450652	S	1.250	2.000	2.004	.375	45
450502	S	1.156	1.686	1.690	.375	45	*450652H	H	1.250	2.000	2.004	.375	45
*450503	S	1.312	2.437	2.441	.468	45	*450652V	V	1.250	2.000	2.004	.375	45
*450504	S	1.375	2.623	2.627	.500	45	*450654	S	1.875	2.758	2.762	.437	45
*450515	S	.812	1.561	1.565	.375	45	*450654N	N	1.875	2.758	2.762	.437	45
450516	S	1.375	3.125	3.130	.500	45	*450655	S	1.937	2.713	2.717	.468	45
450519	S	2.500	3.251	3.256	.500	45	450666	S	1.578	2.408	2.412	.500	45
*450519H	H	2.500	3.251	3.256	.500	45	*450680	S	.875	1.499	1.503	.312	45
*450519N	N	2.500	3.251	3.256	.500	45	*450680H	H	.875	1.499	1.503	.312	45
*450520	S	2.250	3.000	3.005	.500	45	*450680V	V	.875	1.499	1.503	.312	45
*450520N	N	2.250	3.000	3.005	.500	45	*450681	S	2.187	3.125	3.130	.500	45
*450521	S	1.312	1.874	1.878	.437	45	*450681N	N	2.187	3.125	3.130	.500	45
*450522	S	1.375	2.004	2.004	.437	45	450686	S	2.375	3.483	3.488	.500	45
450523	S	1.500	2.875	2.879	.468	45	*450687	S	1.687	3.125	3.130	.500	45
*450524	S	1.875	3.371	3.376	.468	45	450693★	S	24.99	52.37	52.48	11.10	45
*450525	S	2.437	3.125	3.130	.500	45			.984	2.062	2.066	.437	

NUMERICAL SECTION

For Illustration and Material Data See Technical Section
 * Call 1-800-480-1212 For Price and Delivery ★ Metric Seal

Numerical List Size & Type

NATIONAL®



Part No.	Lip Mat'l	Shaft Size	Hsg. Bore	Seal O.D.	Seal Width	Type/Illus.	Part No.	Lip Mat'l	Shaft Size	Hsg. Bore	Seal O.D.	Seal Width	Type/Illus.
450000 SERIES (cont.)							450000 SERIES (cont.)						
*450718	S	2.187	3.000	3.005	.437	45	*451091	S	2.000	3.062	3.066	.500	45
*450719	S	1.750	3.000	3.005	.500	45	*451096	S	.656	1.125	1.129	.375	45
*450719H	H	1.750	3.000	3.005	.500	45	*451096H	H	.656	1.125	1.129	.375	45
*450720	S	1.875	3.125	3.130	.500	45	*451100	S	1.125	1.624	1.628	.312	45
*450725	S	2.609	3.350	3.355	.375	45	*451100H	H	1.125	1.624	1.628	.312	45
*450725H	H	2.609	3.350	3.355	.375	45	*451100N	N	1.125	1.624	1.628	.312	45
*450725N	N	2.609	3.350	3.355	.375	45	*451105	S	1.375	2.875	2.879	.468	45
450737	S	2.250	3.189	3.194	.437	45	*451117N	N	1.937	2.824	2.828	.500	45
*450737N	N	2.250	3.189	3.194	.437	45	*451131	S	1.375	2.374	2.378	.375	45
*450746	S	1.437	2.686	2.690	.500	45	*451133	S	1.125	1.752	1.756	.375	45
*450751	S	1.562	2.686	2.690	.500	45	*451134	S	1.250	2.062	2.066	.375	45
*450755	S	1.625	2.250	2.254	.500	45	*451135	S	1.125	2.062	2.066	.375	45
*450755H	H	1.625	2.250	2.254	.500	45	*451135H	H	1.125	2.062	2.066	.375	45
450765	S	1.687	2.716	2.720	.468	45	*451138	S	2.250	3.125	3.130	.375	45
*450774	S	1.375	2.062	2.066	.375	45	*451139	S	1.875	3.000	3.005	.375	45
450776	S	1.375	2.686	2.690	.500	45	451143	S	2.625	3.251	3.256	.437	45
*450779	S	1.875	2.875	2.879	.500	45	451147H	H	1.750	2.502	2.506	.406	45
*450780	S	.656	1.575	1.579	.375	45	*451147N	N	1.750	2.502	2.506	.406	45
*450781	S	.875	1.575	1.579	.375	45	*451160N	N	2.312	3.000	3.005	.500	45
*450783	S	1.843	2.502	2.506	.500	45	*451162N	N	1.875	2.500	2.504	.437	45
*450791	S	.625	1.124	1.128	.312	45	*451169N	N	1.750	2.411	2.415	.380	45
*450791V	V	.625	1.124	1.128	.312	45	451182	S	1.170	2.031	2.035	.375	45
450803	S	1.562	2.716	2.720	.468	45	*451195	S	1.937	2.502	2.506	.375	45
*450806	S	1.250	2.835	2.839	.468	45	*451195V	V	1.937	2.502	2.506	.375	45
*450808	S	1.437	2.750	2.754	.500	45	*451224	S	1.000	1.499	1.503	.250	45
*450811★	S	24.99	41.25	41.35	11.10	45	*451226	S	1.687	3.000	3.005	.500	45
		.984	1.624	1.628	.437		*451234	S	2.250	3.061	3.066	.500	45
*450814	S	1.500	2.441	2.445	.500	45	*451235	S	1.500	3.000	3.005	.500	45
*450818	S	1.000	1.575	1.579	.375	45	*451258	S	1.125	1.828	1.832	.375	45
450819	S	1.625	2.835	2.839	.468	45	*451268H	H	1.375	2.000	2.004	.375	45
*450823	S	1.875	2.502	2.506	.500	45	*451271	S	2.500	3.251	3.256	.375	45
450867	S	2.125	2.875	2.879	.437	45	*451272	S	2.250	3.000	3.005	.375	45
*450867H	H	2.125	2.875	2.879	.437	45	*451275	S	3.250	4.249	4.254	.468	45
*450867N	N	2.125	2.875	2.879	.437	45	*451275N	N	3.250	4.249	4.254	.468	45
*450867V	V	2.125	2.875	2.879	.437	45	*451294	S	.500	1.124	1.128	.312	45
*450868	S	1.187	1.752	1.756	.375	45	*451294H	H	.500	1.124	1.128	.312	45
450869	S	2.156	3.251	3.256	.500	45	*451297	S	.687	1.124	1.128	.312	45
*450895	S	.750	1.375	1.379	.312	45	*451308	S	1.500	2.374	2.378	.375	45
*450895V	V	.750	1.375	1.379	.312	45	*451324	S	.625	1.375	1.379	.312	45
*450898N	N	2.125	2.875	2.879	.375	45	*451338	S	2.187	3.000	3.005	.500	45
*450904	S	2.562	3.481	3.486	.500	45	*451341	S	2.250	2.996	3.001	.437	45
*450908★	S	25.00	40.00	40.10	9.50	45	*451341H	H	2.250	2.996	3.001	.437	45
		.984	1.575	1.579	.374		*451350	S	1.750	3.125	3.130	.500	45
450908V	V	.984	1.575	1.579	.374	45	*451385	S	.750	1.983	1.987	.437	45
450911	S	1.968	2.742	2.746	.500	45	*451414	S	3.375	4.376	4.381	.562	45
450911N	N	1.968	2.742	2.746	.500	45	*451414H	H	3.375	4.376	4.381	.562	45
*450929	S	1.750	2.374	2.378	.500	45	*451414N	N	3.375	4.376	4.381	.562	45
*450930	S	1.437	2.000	2.004	.437	45	*451447	S	1.875	2.502	2.506	.406	45
*450948	S	1.156	1.875	1.878	.437	45	*451456	S	1.187	1.874	1.878	.437	45
*450963	S	1.562	2.437	2.441	.500	45	*451463	S	1.875	2.835	2.839	.468	45
450965	S	1.937	3.350	3.355	.468	45	451469	S	1.593	2.623	2.627	.340	45
*450966	S	2.000	2.875	2.879	.500	45	*451470	S	.796	1.250	1.254	.375	45
*450972	S	2.125	3.371	3.376	.468	45	*451475	S	2.625	3.543	3.548	.500	45
*450975	S	.625	1.499	1.503	.390	45	*451507V	V	1.500	2.252	2.256	.375	45
450984	S	1.500	2.716	2.720	.468	45	*451508	S	1.812	2.686	2.690	.437	45
*450988	S	2.375	3.061	3.066	.500	45	*451509	S	2.500	3.250	3.256	.437	45
*450988H	H	2.375	3.061	3.066	.500	45	*451509H	H	2.500	3.250	3.256	.437	45
*450988N	N	2.375	3.061	3.066	.500	45	*451531	S	.562	1.124	1.128	.312	45
*450988V	V	2.375	3.061	3.066	.500	45	*451555	S	.500	1.375	1.379	.312	45
*451016	S	1.562	2.125	2.129	.437	45	*451559	S	.687	1.375	1.379	.312	45
*451024	S	.625	1.624	1.628	.437	45	*451560	S	.781	1.375	1.379	.312	45
*451030	S	1.750	2.717	2.721	.468	45	*451560N	N	.781	1.375	1.379	.312	45
*451031	S	.781	1.378	1.382	.406	45	*451577	S	.625	1.499	1.503	.312	45
*451060	S	1.125	2.125	2.129	.437	45	*451580	S	.750	1.499	1.503	.312	45
451078	S	1.875	3.251	3.256	.500	45	*451580H	H	.750	1.499	1.503	.312	45
451082	S	.968	1.874	1.878	.437	45	*451581	S	.781	1.499	1.503	.312	45
*451084	S	1.562	2.250	2.254	.500	45	*451582	S	.937	1.499	1.504	.312	45
*451084H	H	1.562	2.250	2.254	.500	45	451583	S	.968	1.499	1.503	.312	45

For Illustration and Material Data See Technical Section
 * Call 1-800-480-1212 For Price and Delivery ★ Metric Seal

Part No.	Lip Mat'l	Shaft Size	Hsg. Bore	Seal O.D.	Seal Width	Type/ Illus.	Part No.	Lip Mat'l	Shaft Size	Hsg. Bore	Seal O.D.	Seal Width	Type/ Illus.
450000 SERIES (cont.)							450000 SERIES (cont.)						
451583V	V	.968	1.499	1.503	.312	45	*452418	S	1.750	2.437	2.441	.500	45
*451656	S	.750	1.624	1.628	.312	45	*452554	S	1.500	1.983	1.987	.437	45
*451659	S	.875	1.624	1.628	.312	45	452554N	N	1.500	1.983	1.987	.437	45
*451660	S	.937	1.624	1.628	.312	45	*452573	S	.975	1.874	1.878	.437	45
*451662	S	1.000	1.624	1.628	.312	45	*452582	S	.968	1.750	1.754	.375	45
*451662V	V	1.000	1.624	1.628	.312	45	*452584	S	1.062	1.828	1.832	.375	45
*451664	S	1.062	1.624	1.628	.312	45	*452585	S	1.187	2.062	2.066	.375	45
*451664N	N	1.062	1.624	1.628	.312	45	*452604	S	2.187	3.350	3.355	.500	45
*451700	S	.875	1.752	1.756	.312	45	*452612	S	2.125	2.875	2.879	.500	45
*451701	S	.937	1.752	1.756	.312	45	*452624	S	2.625	3.351	3.356	.500	45
*451703	S	1.000	1.752	1.756	.312	45	*452629	S	1.687	2.875	2.879	.500	45
*451705	S	1.062	1.752	1.756	.312	45	*452636	S	2.250	3.251	3.256	.375	45
*451706	S	1.125	1.752	1.756	.312	45	452742	S	1.781	2.502	2.506	.312	45
*451707	S	1.156	1.752	1.756	.312	45	*452744	S	1.000	2.875	2.879	.468	45
*451708	S	1.187	1.752	1.756	.312	45	*452774	S	1.875	2.625	2.629	.500	45
*451709	S	1.250	1.752	1.756	.312	45	*452872	S	1.812	2.561	2.565	.437	45
*451709H	H	1.250	1.752	1.756	.312	45	*452920	S	2.250	3.371	3.376	.375	45
*451718	S	1.062	1.752	1.756	.375	45	*452997	S	1.000	2.000	2.004	.312	45
*451739	S	.781	1.874	1.878	.437	45	*453022	S	1.375	2.125	2.130	.375	45
*451772	S	1.062	2.000	2.004	.375	45	453059	S	.437	1.124	1.128	.406	45
*451787	S	1.250	2.062	2.066	.250	45	453063	S	1.187	2.047	2.051	.437	45
451817	S	1.812	2.437	2.441	.468	45	453065	S	1.500	2.254	2.258	.312	45
*451839N	N	1.625	2.502	2.506	.375	45	453066	S	2.125	2.878	2.882	.375	45
451845	S	1.250	2.561	2.565	.500	45	453165	S	1.000	2.062	2.066	.375	45
*451853	S	1.875	2.561	2.565	.500	45	453182	S	3.000	3.999	4.004	.437	45
451857	S	1.500	2.623	2.627	.500	45	*453244	S	2.187	2.875	2.879	.375	45
*451858	S	1.593	2.623	2.627	.500	45	*453245	S	2.187	3.251	3.256	.375	45
*451858H	H	1.593	2.623	2.627	.500	45	*453246	S	2.375	3.251	3.256	.375	45
*451879	S	1.750	2.686	2.690	.437	45	*453247	S	2.375	3.371	3.376	.375	45
*451883	S	2.000	2.686	2.690	.437	45	*453248	S	2.625	3.371	3.376	.375	45
*451883H	H	2.000	2.686	2.690	.437	45	453279	S	1.250	3.155	3.160	.500	45
*451905	S	1.312	2.875	2.879	.437	45	*453309	S	1.350	2.502	2.506	.500	45
*451936	S	1.875	2.875	2.879	.437	45	453341	S	1.625	2.374	2.378	.437	45
*451936H	H	1.875	2.875	2.879	.437	45	*453510	S	1.562	2.996	3.000	.312	45
*451936V	V	1.875	2.875	2.879	.437	45	*453613	S	2.250	2.875	2.879	.500	45
*451937	S	1.937	2.750	2.754	.500	45	*453760	S	1.250	2.437	2.441	.250	45
*451937H	H	1.937	2.750	2.754	.500	45	454088	S	2.750	4.500	4.505	.468	45
*451943	S	2.000	2.835	2.839	.468	45	454136N	N	2.250	3.350	3.355	.312	45
*451944	S	2.000	2.875	2.879	.437	45	*454199	S	2.375	3.350	3.355	.312	45
*451944H	H	2.000	2.875	2.879	.437	45	*454242	S	1.218	2.062	2.066	.375	45
*451945	S	2.062	2.758	2.762	.437	45	*455000	S	2.437	3.543	3.548	.500	45
451948	S	2.062	2.875	2.879	.437	45	455001	S	2.500	3.543	3.548	.500	45
*451952	S	2.187	2.835	2.839	.468	45	*455002	S	2.562	3.623	3.628	.468	45
*451953	S	2.187	2.875	2.879	.437	45	455003	S	2.625	3.623	3.628	.468	45
*451993	S	1.812	3.125	3.130	.500	45	*455003N	N	2.625	3.623	3.628	.468	45
*452006	S	1.937	2.996	3.001	.437	45	455004	S	2.750	3.751	3.756	.500	45
*452008	S	2.000	2.996	3.001	.437	45	*455004H	H	2.750	3.751	3.756	.500	45
*452009	S	2.000	3.000	3.005	.375	45	*455004N	N	2.750	3.751	3.756	.500	45
*452017	S	2.187	2.996	3.001	.437	45	455005	S	2.812	3.751	3.756	.500	45
*452018	S	2.187	3.000	3.005	.375	45	*455005N	N	2.812	3.751	3.756	.500	45
*452019	S	2.187	3.062	3.066	.500	45	455006	S	2.875	3.751	3.756	.500	45
*452020	S	2.187	3.125	3.130	.375	45	455006N	N	2.875	3.751	3.756	.500	45
*452023	S	1.875	3.350	3.355	.468	45	*455007	S	2.625	3.876	3.881	.468	45
*452032	S	2.125	3.251	3.256	.437	45	455008	S	2.687	3.876	3.881	.468	45
*452035	S	2.187	3.371	3.376	.468	45	455009	S	2.750	3.876	3.881	.468	45
*452038	S	2.375	3.251	3.256	.437	45	*455009N	N	2.750	3.876	3.881	.468	45
*452041	S	1.875	2.502	2.506	.375	45	455011	S	2.875	4.003	4.008	.468	45
452086	S	1.670	2.686	2.690	.500	45	*455011N	N	2.875	4.003	4.008	.468	45
*452132	S	.968	1.750	1.754	.437	45	*455011V	V	2.875	4.003	4.008	.468	45
*452152	S	2.312	3.251	3.256	.437	45	455012	S	2.937	4.003	4.008	.468	45
*452157	S	4.250	5.251	5.256	.375	45	*455012N	N	2.937	4.003	4.008	.468	45
*452164N	N	1.750	2.502	2.506	.312	45	*455012V	V	2.937	4.003	4.008	.468	45
*452170	S	1.625	2.875	2.879	.500	45	455013	S	3.000	4.003	4.008	.468	45
452222	S	1.531	2.374	2.378	.375	45	*455013H	H	3.000	4.003	4.008	.468	45
452261H	H	2.000	2.500	2.504	.437	45	*455013N	N	3.000	4.003	4.008	.468	45
*452336	S	1.000	1.828	1.832	.375	45	*455013V	V	3.000	4.003	4.008	.468	45
*452401	S	1.625	2.437	2.441	.500	45	455014	S	3.000	4.249	4.254	.625	45
*452401V	V	1.625	2.437	2.441	.500	45	455015	S	3.062	4.249	4.254	.625	45

NUMERICAL SECTION

For Illustration and Material Data See Technical Section
 * Call 1-800-480-1212 For Price and Delivery

Numerical List Size & Type

NATIONAL®

Part No.	Lip Mat'l	Shaft Size	Hsg. Bore	Seal O.D.	Seal Width	Type/Illus.	Part No.	Lip Mat'l	Shaft Size	Hsg. Bore	Seal O.D.	Seal Width	Type/Illus.
45000 SERIES (cont.)							45000 SERIES (cont.)						
*455016	S	3.125	4.249	4.254	.625	45	*455079V	V	2.500	3.751	3.756	.500	45
*455017	S	3.187	4.249	4.254	.625	45	455080	S	2.125	3.623	3.628	.468	45
455018	S	3.250	4.249	4.254	.625	45	*455081V	V	4.187	5.125	5.131	.500	45
*455018H	H	3.250	4.249	4.254	.625	45	*455082	S	2.500	3.876	3.881	.468	45
455018N	N	3.250	4.249	4.254	.625	45	*455084	S	7.000	8.500	8.509	.750	45
455019	S	3.000	4.999	5.004	.468	45	*455085	S	3.312	4.499	4.504	.468	45
455020	S	3.062	4.999	5.004	.468	45	*455085V	V	3.312	4.499	4.504	.468	45
*455021	S	3.125	4.999	5.004	.468	45	455086	S	3.000	4.249	4.254	.468	45
455022	S	3.187	4.999	5.004	.468	45	*455086H	H	3.000	4.249	4.254	.468	45
*455023	S	3.250	4.999	5.004	.468	45	*455086N	N	3.000	4.249	4.254	.468	45
455024	S	3.312	4.999	5.004	.468	45	455088	S	3.000	4.499	4.504	.468	45
*455025	S	3.375	4.999	5.004	.468	45	*455088N	N	3.000	4.499	4.504	.468	45
455026	S	3.437	4.999	5.004	.468	45	455088V	V	3.000	4.499	4.504	.468	45
455027	S	3.500	4.999	5.004	.468	45	*455090	S	9.000	11.000	11.008	.750	45
*455027H	H	3.500	4.999	5.004	.468	45	455091	S	4.875	5.999	6.007	.625	45
455027N	N	3.500	4.999	5.004	.468	45	*455091H	H	4.875	5.999	6.007	.625	45
*455029	S	3.625	4.999	5.004	.468	45	455093	S	2.250	3.500	3.505	.500	45
*455029H	H	3.625	4.999	5.004	.468	45	*455094	S	2.312	3.500	3.505	.500	45
455031	S	3.750	4.999	5.004	.468	45	*455094N	N	2.312	3.500	3.505	.500	45
*455031N	N	3.750	4.999	5.004	.468	45	*455095	S	2.375	3.500	3.505	.500	45
455032	S	3.812	4.999	5.004	.468	45	455096	S	2.437	3.500	3.505	.500	45
455033	S	3.875	4.999	5.004	.468	45	*455096V	V	2.437	3.500	3.505	.500	45
455034	S	3.937	4.999	5.004	.468	45	*455098	S	2.562	3.500	3.505	.500	45
*455034N	N	3.937	4.999	5.004	.468	45	*455098H	H	2.562	3.500	3.505	.500	45
*455034V	V	3.937	4.999	5.004	.468	45	*455098N	N	2.562	3.500	3.505	.500	45
455035	S	4.000	4.999	5.005	.468	45	455104	S	5.250	6.499	6.507	.625	45
455035N	N	4.000	4.999	5.005	.468	45	*455105	S	5.375	6.624	6.632	.625	45
*455036	S	4.000	5.501	5.506	.562	45	*455105N	N	5.375	6.624	6.632	.625	45
455037	S	4.062	5.501	5.506	.562	45	*455106	S	5.625	6.874	6.882	.625	45
*455039	S	4.187	5.501	5.506	.562	45	*455107	S	5.750	7.000	7.008	.625	45
*455040	S	4.250	5.501	5.506	.562	45	*455107H	H	5.750	7.000	7.008	.625	45
*455040H	H	4.250	5.501	5.506	.562	45	*455107N	N	5.750	7.000	7.008	.625	45
*455040N	N	4.250	5.501	5.506	.562	45	*455107V	V	5.750	7.000	7.008	.625	45
*455041	S	4.000	5.751	5.756	.562	45	*455109	S	6.250	7.750	7.758	.750	45
*455044	S	4.187	5.751	5.756	.562	45	*455111	S	6.500	8.000	8.009	.750	45
*455045	S	4.250	5.751	5.756	.562	45	*455111H	H	6.500	8.000	8.009	.750	45
*455046	S	4.312	5.751	5.756	.562	45	*455114	S	6.875	8.375	8.382	.750	45
*455047	S	4.375	5.751	5.756	.562	45	455117	S	7.375	8.875	8.882	.750	45
*455049	S	4.500	5.750	5.756	.562	45	*455117V	V	7.375	8.875	8.882	.750	45
*455053	S	4.750	5.751	5.757	.562	45	455121	S	7.875	9.375	9.383	.750	45
*455053H	H	4.750	5.751	5.757	.562	45	*455121N	N	7.875	9.375	9.383	.750	45
*455053N	N	4.750	5.751	5.757	.562	45	455121V	V	7.875	9.375	9.383	.750	45
*455053V	V	4.750	5.750	5.757	.562	45	*455122	S	8.000	10.000	10.008	.750	45
*455054	S	4.000	6.250	6.256	.562	45	455123	S	8.125	10.125	10.130	.750	45
455056	S	4.125	6.250	6.256	.562	45	*455126	S	8.500	10.500	10.510	.750	45
*455057	S	4.187	6.250	6.256	.562	45	*455126H	H	8.500	10.500	10.510	.750	45
*455058	S	4.250	6.250	6.256	.562	45	*455128	S	8.750	10.750	10.758	.750	45
*455059	S	4.312	6.250	6.256	.562	45	455129	S	8.875	10.875	10.885	.750	45
*455059N	N	4.312	6.250	6.256	.562	45	*455130	S	1.937	3.543	3.548	.500	45
455060	S	4.375	6.250	6.256	.562	45	455134	S	4.125	4.999	5.005	.468	45
455062	S	4.500	6.250	6.256	.562	45	*455134H	H	4.125	4.999	5.005	.468	45
*455062N	N	4.500	6.250	6.256	.562	45	*455134N	N	4.125	4.999	5.005	.468	45
*455064	S	4.625	6.250	6.256	.562	45	*455134V	V	4.125	4.999	5.005	.468	45
*455066	S	4.750	6.250	6.256	.562	45	455136	S	2.250	3.481	3.486	.500	45
*455067	S	4.812	6.250	6.256	.562	45	455137	S	3.250	4.499	4.504	.468	45
455068	S	4.875	6.250	6.256	.562	45	*455137V	V	3.250	4.499	4.504	.468	45
*455068N	N	4.875	6.250	6.256	.562	45	*455138	S	4.750	5.750	5.756	.500	45
*455069	S	4.937	6.250	6.256	.562	45	*455138N	N	4.750	5.750	5.756	.500	45
455070	S	5.000	6.250	6.256	.562	45	*455140	S	5.375	6.749	6.757	.625	45
*455070N	N	5.000	6.250	6.256	.562	45	*455142	S	4.125	5.251	5.256	.468	45
*455070V	V	5.000	6.250	6.256	.562	45	455144	S	2.875	4.499	4.504	.468	45
*455071	S	5.125	6.374	6.382	.625	45	*455145	S	3.125	4.499	4.504	.468	45
*455071N	N	5.125	6.376	6.382	.625	45	455146	S	3.500	4.499	4.504	.468	45
*455072	S	6.000	7.500	7.508	.562	45	*455146V	V	3.500	4.499	4.504	.468	45
455073	S	5.500	6.749	6.757	.625	45	455147	S	2.500	3.500	3.505	.500	45
*455074	S	6.125	7.500	7.508	.562	45	*455147H	H	2.500	3.500	3.505	.500	45
455075	S	5.875	7.125	7.133	.625	45	*455147N	N	2.500	3.500	3.505	.500	45
455079	S	2.500	3.751	3.756	.500	45	*455148	S	3.875	5.251	5.256	.468	45

For Illustration and Material Data See Technical Section
 * Call 1-800-480-1212 For Price and Delivery

Part No.	Lip Mat'l	Shaft Size	Hsg. Bore	Seal O.D.	Seal Width	Type/ Illus.	Part No.	Lip Mat'l	Shaft Size	Hsg. Bore	Seal O.D.	Seal Width	Type/ Illus.
450000 SERIES (cont.)							450000 SERIES (cont.)						
*455149	S	2.625	3.751	3.756	.500	45	*455206	S	4.312	5.999	6.007	.625	45
*455150	S	3.750	5.251	5.256	.468	45	*455207	S	4.375	5.999	6.007	.625	45
*455150V	V	3.750	5.251	5.256	.468	45	*455209	S	4.500	6.001	6.007	.625	45
455151	S	2.687	3.751	3.756	.500	45	*455211	S	4.625	5.999	6.007	.625	45
*455152	S	2.875	4.125	4.130	.562	45	*455213	S	4.750	5.999	6.007	.625	45
*455153	S	2.937	4.125	4.130	.562	45	*455214	S	4.812	5.999	6.007	.625	45
455154	S	3.000	4.125	4.130	.562	45	*455215V	V	5.500	6.749	6.756	.500	45
*455155	S	3.062	4.125	4.130	.562	45	*455216	S	4.937	5.999	6.007	.625	45
*455156	S	3.125	4.125	4.130	.562	45	*455217	S	4.875	6.127	6.132	.625	45
*455156N	N	3.125	4.125	4.130	.562	45	*455233	S	4.750	5.876	5.881	.625	45
*455156V	V	3.125	4.125	4.130	.562	45	*455234	S	2.250	3.623	3.628	.468	45
*455158	S	3.000	4.376	4.381	.625	45	*455244	S	2.562	3.750	3.756	.500	45
*455160	S	3.125	4.376	4.381	.625	45	*455244H	H	2.562	3.751	3.756	.500	45
*455161	S	3.187	4.376	4.381	.625	45	*455244N	N	2.562	3.751	3.756	.500	45
*455162	S	3.250	4.376	4.381	.625	45	*455245	S	3.125	4.751	4.756	.625	45
*455162N	N	3.250	4.376	4.381	.625	45	*455247	S	4.937	6.374	6.382	.625	45
*455163	S	3.312	4.376	4.381	.625	45	*455248	S	2.375	3.543	3.548	.500	45
*455163H	H	3.312	4.376	4.381	.625	45	455249	S	3.375	4.688	4.693	.500	45
*455164	S	3.375	4.376	4.381	.625	45	*455250	S	2.875	3.623	3.628	.468	45
*455164N	N	3.375	4.376	4.381	.625	45	*455250N	N	2.875	3.623	3.628	.468	45
455165	S	3.375	4.499	4.504	.468	45	*455251	S	4.812	5.751	5.756	.562	45
*455165N	N	3.375	4.499	4.504	.468	45	455251H	H	4.812	5.751	5.756	.562	45
*455165V	V	3.375	4.499	4.504	.468	45	*455251N	N	4.812	5.751	5.756	.562	45
*455166	S	3.437	4.499	4.504	.468	45	455253	S	2.000	3.543	3.548	.500	45
*455168	S	3.375	4.626	4.631	.625	45	*455254	S	2.250	4.003	4.008	.468	45
*455168N	N	3.375	4.626	4.631	.625	45	*455255	S	3.500	4.875	4.881	.625	45
*455170	S	3.500	4.626	4.631	.625	45	*455258	S	4.750	6.127	6.132	.625	45
*455170N	N	3.500	4.626	4.631	.625	45	*455259	S	2.250	3.751	3.756	.500	45
*455172	S	3.625	4.626	4.631	.625	45	455260	S	2.062	3.623	3.628	.468	45
*455172N	N	3.625	4.626	4.631	.625	45	*455262	S	3.500	5.501	5.506	.562	45
*455172V	V	3.625	4.626	4.631	.625	45	*455263	S	3.937	5.376	5.381	.500	45
455173	S	3.500	4.751	4.756	.625	45	*455263H	H	3.937	5.376	5.381	.500	45
*455173N	N	3.500	4.751	4.756	.625	45	*455265	S	3.250	4.751	4.756	.625	45
*455174	S	3.562	4.751	4.756	.625	45	*455267	S	2.312	4.003	4.008	.468	45
*455175	S	3.625	4.751	4.756	.625	45	*455270	S	10.000	11.000	11.010	.750	45
*455177	S	3.750	4.751	4.756	.625	45	*455270N	N	10.000	11.000	11.010	.750	45
*455178	S	3.812	4.751	4.756	.625	45	*455270V	V	10.000	11.000	11.010	.750	45
*455179	S	3.875	4.751	4.756	.625	45	*455271	S	5.000	5.999	6.007	.625	45
*455179N	N	3.875	4.751	4.756	.625	45	*455271N	N	5.000	5.999	6.007	.625	45
*455181	S	3.625	4.876	4.881	.625	45	*455271V	V	5.000	6.001	6.007	.625	45
*455183	S	3.750	4.876	4.881	.625	45	455272	S	2.750	4.003	4.008	.468	45
*455185	S	3.875	4.876	4.881	.625	45	*455273	S	5.500	6.499	6.507	.625	45
*455185N	N	3.875	4.876	4.881	.625	45	*455273N	N	5.500	6.499	6.507	.625	45
455186★	S	<i>100.00</i>	<i>123.85</i>	<i>123.98</i>	<i>15.88</i>	45	*455273V	V	5.500	6.499	6.507	.625	45
455188	S	4.000	5.126	5.131	.625	45	455280	S	2.562	3.876	3.881	.468	45
455189	S	3.812	5.251	5.256	.468	45	*455281	S	3.000	3.751	3.756	.500	45
*455189N	N	3.812	5.251	5.256	.468	45	*455281H	H	3.000	3.751	3.756	.500	45
455191	S	3.937	5.251	5.256	.468	45	*455281N	N	3.000	3.751	3.756	.500	45
455192	S	4.000	5.251	5.256	.468	45	*455282	S	7.000	8.001	8.009	.750	45
455194	S	4.187	5.251	5.256	.468	45	*455282N	N	7.000	8.001	8.009	.750	45
455195	S	4.250	5.251	5.256	.468	45	*455285	S	5.000	6.250	6.256	.625	45
*455195H	H	4.250	5.251	5.256	.468	45	455290	S	5.062	6.374	6.382	.625	45
*455195V	V	4.250	5.251	5.256	.468	45	*455292	S	1.375	3.500	3.505	.500	45
*455196	S	4.250	5.376	5.381	.500	45	455294	S	6.500	7.500	7.508	.562	45
*455196N	N	4.250	5.376	5.381	.500	45	*455294N	N	6.500	7.500	7.508	.562	45
455197	S	4.312	5.501	5.506	.562	45	*455294V	V	6.500	7.500	7.508	.562	45
455197N	N	4.312	5.501	5.506	.562	45	*455295	S	4.187	4.999	5.004	.468	45
455198	S	4.375	5.501	5.506	.562	45	*455296	S	2.625	4.003	4.008	.468	45
*455198N	N	4.375	5.501	5.506	.562	45	455297	S	5.875	7.500	7.508	.562	45
455200	S	4.500	5.500	5.506	.562	45	*455299	S	8.000	9.250	9.260	.750	45
455200N	N	4.500	5.500	5.506	.562	45	*455300	S	8.000	9.500	9.510	.750	45
*455200V	V	4.500	5.500	5.506	.562	45	455301	S	9.000	10.000	10.010	.750	45
*455201	S	4.000	5.999	6.007	.625	45	*455303	S	2.875	3.623	3.628	.375	45
455203	S	4.125	6.000	6.007	.625	45	*455304	S	3.250	4.249	4.254	.500	45
*455204	S	4.187	5.999	6.007	.625	45	*455304N	N	3.250	4.249	4.254	.500	45
*455205	S	4.250	5.999	6.007	.625	45	*455304V	V	3.250	4.249	4.254	.500	45
*455205N	N	4.250	5.999	6.007	.625	45	455308	S	1.500	3.544	3.548	.500	45
							455310	S	2.875	4.335	4.340	.437	45

NUMERICAL SECTION

For Illustration and Material Data See Technical Section
 * Call 1-800-480-1212 For Price and Delivery ★ Metric Seal

Numerical List Size & Type

NATIONAL®



Part No.	Lip Mat'l	Shaft Size	Hsg. Bore	Seal O.D.	Seal Width	Type/ Illus.	Part No.	Lip Mat'l	Shaft Size	Hsg. Bore	Seal O.D.	Seal Width	Type/ Illus.
450000 SERIES (cont.)							450000 SERIES (cont.)						
*455310V	V	2.875	4.335	4.340	.437	45	455448	S	5.250	6.250	6.256	.562	45
455311	S	2.562	3.543	3.548	.500	45	*455448N	N	5.250	6.250	6.256	.562	45
*455312	S	5.000	6.374	6.382	.625	45	*455448V	V	5.250	6.250	6.256	.562	45
*455312V	V	5.000	6.374	6.382	.625	45	*455449	S	2.500	3.500	3.505	.375	45
*455315	S	2.750	3.623	3.628	.468	45	*455452	S	7.000	8.250	8.258	.750	45
*455315N	N	2.750	3.623	3.628	.468	45	*455458	S	2.625	3.623	3.628	.375	45
*455315V	V	2.750	3.623	3.628	.468	45	*455460	S	5.000	7.500	7.507	.562	45
*455318	S	5.000	6.749	6.757	.625	45	*455461	S	5.375	6.499	6.507	.625	45
*455319	S	3.500	5.126	5.131	.625	45	*455461N	N	5.375	6.500	6.507	.625	45
455321	S	2.312	3.751	3.756	.500	45	455462	S	9.000	10.500	10.510	.750	45
455322	S	2.750	3.543	3.548	.500	45	*455464	S	5.312	6.499	6.507	.625	45
455322N	N	2.750	3.543	3.548	.500	45	455471	S	3.437	5.250	5.256	.468	45
455322V	V	2.750	3.543	3.548	.500	45	*455472	S	3.437	5.501	5.506	.562	45
*455325	S	4.500	6.374	6.382	.625	45	*455473	S	4.250	6.127	6.132	.625	45
*455327	S	6.750	8.000	8.007	.625	45	455475	S	8.250	9.250	9.258	.625	45
*455327V	V	6.750	8.000	8.007	.625	45	455476	S	9.000	10.250	10.260	.750	45
455328	S	3.250	5.251	5.256	.468	45	455479	S	3.000	3.876	3.881	.468	45
455330	S	6.125	7.125	7.133	.625	45	455479V	V	3.000	3.876	3.881	.468	45
*455330H	H	6.125	7.125	7.133	.625	45	455480	S	6.250	7.500	7.508	.562	45
455336	S	3.187	4.499	4.504	.468	45	*455480H	H	6.250	7.500	7.508	.562	45
*455341	S	3.437	4.876	4.881	.625	45	455480V	V	6.250	7.500	7.508	.562	45
*455342	S	4.500	5.876	5.881	.625	45	*455483	S	2.625	3.500	3.505	.375	45
*455347	S	2.937	3.876	3.881	.468	45	*455486	S	3.625	4.751	4.756	.562	45
*455350	S	2.187	3.623	3.628	.468	45	*455487	S	5.625	6.624	6.631	.625	45
*455351	S	4.500	6.250	6.256	.500	45	*455487H	H	5.625	6.624	6.631	.625	45
*455354	S	3.125	4.003	4.008	.468	45	*455487N	N	5.625	6.624	6.631	.625	45
*455354N	N	3.125	4.003	4.008	.468	45	*455489	S	8.500	10.000	10.010	.750	45
455355	S	2.875	3.876	3.881	.468	45	*455489H	H	8.500	10.000	10.010	.750	45
455356	S	2.937	4.499	4.504	.468	45	*455494N	N	5.187	6.499	6.507	.625	45
*455363	S	5.750	6.749	6.757	.625	45	*455495	S	5.125	6.499	6.507	.625	45
455364	S	2.750	3.500	3.505	.500	45	*455498	S	3.562	4.499	4.504	.468	45
*455364N	N	2.750	3.500	3.505	.500	45	*455498N	N	3.562	4.499	4.504	.468	45
455368	S	2.625	3.500	3.505	.500	45	455499	S	3.437	4.249	4.254	.625	45
*455368N	N	2.625	3.500	3.505	.500	45	455500	S	3.298	4.125	4.130	.562	45
455369	S	2.500	3.623	3.628	.468	45	455509	S	3.000	3.936	3.941	.500	45
*455371	S	4.625	5.751	5.756	.562	45	*455511	S	2.843	3.939	3.944	.500	45
*455371N	N	4.625	5.751	5.756	.562	45	*455512	S	4.000	5.374	5.379	.500	45
*455375	S	4.750	6.625	6.632	.625	45	455513	S	4.000	5.626	5.631	.500	45
*455377	S	5.000	6.499	6.507	.625	45	*455513N	N	4.000	5.626	5.631	.500	45
*455378	S	4.687	5.751	5.756	.562	45	*455517	S	7.000	8.000	8.007	.750	45
455378H	H	4.687	5.751	5.756	.562	45	*455517N	N	7.000	8.000	8.007	.750	45
*455378N	N	4.687	5.751	5.756	.562	45	*455526N	N	3.000	3.876	3.881	.500	45
455379	S	3.750	4.751	4.756	.500	45	455536	S	1.750	3.543	3.548	.500	45
*455379H	H	3.750	4.751	4.756	.500	45	455547	S	3.875	5.126	5.131	.625	45
*455379N	N	3.750	4.751	4.756	.500	45	*455547N	N	3.875	5.126	5.131	.625	45
455379V	V	3.750	4.751	4.756	.500	45	*455551	S	7.500	9.000	9.010	.750	45
*455380	S	2.375	3.623	3.628	.468	45	*455551N	N	7.500	9.000	9.010	.750	45
*455380N	N	2.375	3.623	3.628	.468	45	455556	S	2.875	4.376	4.381	.625	45
*455380V	V	2.375	3.623	3.628	.468	45	*455559	S	3.500	5.251	5.256	.468	45
*455383	S	2.937	3.751	3.756	.500	45	455566	S	3.250	4.125	4.130	.562	45
*455384	S	2.812	4.003	4.008	.468	45	*455566N	N	3.250	4.125	4.130	.562	45
*455389	S	3.625	4.499	4.504	.468	45	*455566V	V	3.250	4.125	4.130	.562	45
*455389H	H	3.625	4.499	4.504	.468	45	*455575	S	3.937	5.501	5.506	.562	45
*455389V	V	3.625	4.499	4.504	.468	45	455576	S	5.375	6.499	6.507	.562	45
*455393	S	4.125	5.126	5.131	.625	45	*455577	S	3.250	4.723	4.729	.468	45
*455394	S	3.125	5.251	5.256	.468	45	455583	S	6.187	7.500	7.508	.562	45
*455395	S	5.250	6.750	6.757	.625	45	*455583H	H	6.187	7.500	7.507	.562	45
455396	S	3.500	5.751	5.756	.562	45	455583N	N	6.187	7.500	7.507	.562	45
*455397	S	7.875	9.000	9.010	.750	45	455584	S	6.875	8.375	8.382	.625	45
*455402	S	3.562	5.751	5.756	.562	45	*455584N	N	6.875	8.375	8.382	.625	45
455406	S	7.750	9.250	9.260	.625	45	*455591	S	4.937	6.131	6.136	.562	45
*455421	S	7.000	8.750	8.759	.750	45	*455592	S	6.937	8.129	8.138	.750	45
*455423	S	3.750	5.501	5.506	.562	45	*455596	S	9.437	10.630	10.640	.750	45
455434	S	2.687	3.500	3.505	.500	45	*455596H	H	9.437	10.630	10.640	.750	45
*455436	S	3.625	5.751	5.756	.562	45	*455601	S	4.500	6.127	6.132	.562	45
*455437	S	3.500	4.751	4.756	.500	45	*455608	S	3.977	5.376	5.381	.500	45
455437N	N	3.500	4.751	4.756	.500	45	*455612	S	3.312	5.501	5.506	.562	45
*455447	S	5.750	6.624	6.632	.625	45	*455612N	N	3.312	5.501	5.506	.562	45

For Illustration and Material Data See Technical Section
 * Call 1-800-480-1212 For Price and Delivery

Part No.	Lip Mat'l	Shaft Size	Hsg. Bore	Seal O.D.	Seal Width	Type/ Illus.	Part No.	Lip Mat'l	Shaft Size	Hsg. Bore	Seal O.D.	Seal Width	Type/ Illus.
450000 SERIES (cont.)							450000 SERIES (cont.)						
*455613	S	3.375	4.249	4.254	.625	45	*455991	S	3.500	4.501	4.506	.468	45
*455614	S	4.812	6.499	6.507	.625	45	455995N	N	3.000	4.003	4.008	.375	45
*455615	S	3.250	4.501	4.506	.468	45	*456003	S	3.625	4.624	4.629	.500	45
*455618	S	5.750	7.875	7.883	.750	45	*456011	S	3.125	4.125	4.130	.500	45
*455625	S	4.187	6.373	6.381	.625	45	*456011V	V	3.125	4.125	4.130	.500	45
*455636	S	2.187	3.500	3.505	.500	45	*456026	S	3.000	4.249	4.254	.500	45
*455645	S	5.250	6.500	6.507	.562	45	*456026V	V	3.000	4.249	4.254	.500	45
*455647	S	2.312	3.543	3.548	.500	45	*456030N	N	4.500	5.501	5.506	.500	45
*455650	S	2.375	4.376	4.381	.625	45	*456039	S	5.750	7.500	7.508	.562	45
*455652	S	5.625	7.125	7.133	.625	45	*456039N	N	5.750	7.500	7.508	.562	45
455655	S	2.500	4.003	4.008	.468	45	*456041	S	3.750	4.626	4.632	.500	45
*455659	S	2.125	3.500	3.505	.500	45	*456043	S	3.875	5.751	5.756	.562	45
*455661	S	5.500	7.876	7.883	.750	45	*456044	S	7.250	8.250	8.257	.625	45
455685	S	4.625	5.875	5.881	.625	45	*456047	S	3.625	4.625	4.631	.500	45
*455685N	N	4.625	5.875	5.881	.625	45	456052	S	5.875	7.999	8.007	.750	45
*455697	S	3.875	5.125	5.131	.500	45	*456053N	N	1.869	3.744	3.749	.500	45
*455699	S	7.000	8.000	8.007	.562	45	456055	V	6.000	7.001	7.008	.625	45
*455712	S	4.250	5.251	5.256	.625	45	*456055N	N	6.000	7.001	7.008	.625	45
*455712N	N	4.250	5.251	5.256	.625	45	*456055V	V	6.000	7.001	7.008	.625	45
*455719	S	2.750	3.876	3.882	.500	45	456057	S	1.937	3.751	3.756	.500	45
*455725	S	5.000	6.001	6.007	.500	45	*456068	S	3.500	4.376	4.381	.625	45
*455725N	N	5.000	6.001	6.007	.500	45	456105	S	3.187	4.249	4.254	.468	45
*455728	S	2.375	3.750	3.756	.500	45	*456107	S	5.500	6.750	6.758	.575	45
*455734	S	3.164	4.249	4.254	.625	45	*456111	S	2.843	4.501	4.506	.375	45
*455799N	N	5.250	6.250	6.256	.625	45	*456112	S	5.375	7.874	7.881	.750	45
455820	S	3.000	4.875	4.881	.625	45	*456112N	N	5.375	7.873	7.881	.750	45
*455824	S	5.125	6.251	6.256	.562	45	*456113	S	3.562	4.500	4.506	.500	45
455828V	V	8.500	9.500	9.509	.625	45	*456113N	N	3.562	4.500	4.506	.500	45
*455832	S	3.625	5.375	5.381	.500	45	*456125	S	3.625	4.999	5.004	.500	45
*455836	S	3.000	4.003	4.008	.437	45	*456127	S	3.750	5.376	5.381	.500	45
*455852	S	3.750	5.751	5.756	.562	45	*456128	S	3.875	5.501	5.506	.562	45
*455854	S	6.250	7.875	7.881	.750	45	*456130	S	4.000	5.376	5.381	.500	45
455858	S	3.437	4.756	4.761	.562	45	*456135	S	4.250	5.626	5.631	.500	45
455860	S	2.375	3.876	3.881	.468	45	*456136N	N	4.250	5.876	5.881	.625	45
*455861	S	4.375	6.064	6.071	.625	45	*456136V	V	4.250	5.876	5.881	.625	45
455867V	V	7.500	8.500	8.509	.625	45	456141	S	4.312	5.376	5.381	.500	45
*455871	S	9.375	11.375	11.385	.750	45	*456150	S	4.375	6.125	6.131	.562	45
*455871N	N	9.375	11.375	11.385	.750	45	456153	S	4.500	5.625	5.631	.500	45
*455871V	V	9.375	11.375	11.385	.750	45	*456160	S	4.750	6.125	6.131	.562	45
*455872	S	2.750	3.538	3.543	.500	45	*456167	S	4.875	5.999	6.007	.500	45
*455872V	V	2.750	3.538	3.543	.500	45	*456168	S	4.875	6.125	6.131	.562	45
*455894	S	3.375	4.376	4.381	.500	45	*456174	S	5.375	6.374	6.382	.625	45
*455894N	N	3.375	4.376	4.381	.500	45	*456187V	V	5.375	7.500	7.508	.562	45
*455899	S	3.500	4.375	4.381	.562	45	*456189	S	5.500	6.624	6.631	.625	45
*455911	S	2.625	3.623	3.629	.500	45	*456190	S	5.500	6.874	6.882	.625	45
*455923N	N	3.550	4.376	4.381	.375	45	*456190N	N	5.500	6.875	6.882	.625	45
*455930	S	8.875	10.125	10.130	.750	45	456192	S	5.500	7.500	7.507	.562	45
*455937	S	3.625	4.751	4.756	.500	45	*456192N	N	5.500	7.500	7.507	.562	45
*455938	S	5.375	6.624	6.632	.562	45	*456199	S	5.625	7.500	7.508	.562	45
*455942	S	5.356	6.500	6.507	.562	45	*456214	S	5.750	6.874	6.882	.625	45
*455942H	H	5.356	6.500	6.507	.562	45	*456215	S	5.750	7.125	7.133	.625	45
*455943	S	4.500	5.512	5.518	.562	45	*456219N	N	6.000	7.125	7.133	.625	45
*455944	S	8.125	9.375	9.379	.750	45	*456248	S	7.375	9.375	9.382	.750	45
*455945	S	7.872	9.500	9.507	.750	45	*456267	S	2.125	3.501	3.505	.375	45
*455947	S	3.625	4.874	4.879	.625	45	*456269	S	2.187	3.543	3.548	.500	45
455948	S	6.875	7.875	7.883	.625	45	*456271	S	2.375	3.500	3.505	.375	45
*455953	S	4.000	4.999	5.004	.500	45	*456271V	V	2.375	3.500	3.505	.375	45
*455953H	H	4.000	4.999	5.004	.500	45	*456273	S	2.500	3.623	3.628	.375	45
*455953N	N	4.000	4.999	5.004	.500	45	*456281N	N	2.750	4.125	4.130	.562	45
455956H	H	5.187	6.500	6.507	.625	45	*456282	S	2.750	4.249	4.254	.468	45
*455956N	N	5.187	6.500	6.507	.625	45	*456286	S	2.875	4.249	4.254	.625	45
*455956V	V	5.187	6.500	6.507	.625	45	*456287	S	3.125	4.249	4.254	.468	45
455958	S	3.875	5.376	5.381	.500	45	*456288	S	3.125	4.249	4.254	.500	45
*455960	S	2.750	3.876	3.881	.375	45	*456289	S	3.125	4.376	4.381	.562	45
*455963H	H	3.750	4.751	4.756	.484	45	*456289N	N	3.125	4.375	4.381	.562	45
*455963N	N	3.750	4.751	4.756	.484	45	*456290	S	3.250	4.376	4.381	.562	45
455966	S	8.750	10.500	10.510	.750	45	*456290V	V	3.250	4.376	4.381	.562	45
*455984	S	2.750	3.623	3.628	.375	45	*456292	S	3.312	4.249	4.253	.500	45

NUMERICAL SECTION

For Illustration and Material Data See Technical Section
 * Call 1-800-480-1212 For Price and Delivery

Numerical List Size & Type

NATIONAL®



Part No.	Lip Mat'l	Shaft Size	Hsg. Bore	Seal O.D.	Seal Width	Type/Illus.	Part No.	Lip Mat'l	Shaft Size	Hsg. Bore	Seal O.D.	Seal Width	Type/Illus.
45000 SERIES (cont.)							45000 SERIES (cont.)						
*456294	S	3.375	4.249	4.254	.500	45	*456888V	V	4.500	5.500	5.506	.500	45
*456294H	H	3.375	4.249	4.254	.500	45	*456889	S	4.187	5.500	5.506	.500	45
*456294N	N	3.375	4.249	4.254	.500	45	456890	S	4.812	6.250	6.256	.500	45
*456301	S	3.125	4.999	5.004	.500	45	*456891	S	4.250	5.500	5.506	.500	45
456305	S	3.250	4.751	4.756	.484	45	*456892	S	4.500	5.750	5.756	.500	45
*456306	S	3.250	4.751	4.756	.500	45	*456909	S	3.125	3.937	3.942	.500	45
*456323	S	3.375	4.751	4.756	.625	45	456919V	V	3.687	4.501	4.506	.500	45
*456325	S	3.375	4.999	5.004	.500	45	*456921	S	2.875	4.003	4.008	.375	45
*456327	S	3.375	5.251	5.256	.468	45	*456946N	N	4.000	5.250	5.256	.375	45
*456331	S	3.500	4.999	5.004	.500	45	*456967N	N	4.000	5.000	5.005	.312	45
*456331H	H	3.500	4.999	5.004	.500	45	456967V	V	4.000	5.000	5.005	.312	45
*456335	S	3.625	5.251	5.256	.468	45	*456981	S	3.875	4.751	4.756	.500	45
*456339	S	3.750	4.999	5.004	.500	45	*456986H	H	5.312	6.500	6.507	.625	45
*456343	S	3.875	4.751	4.756	.484	45	457034	V	3.125	4.003	4.008	.500	45
*456345	S	3.875	4.999	5.004	.500	45	457096V	V	10.000	11.500	11.508	.750	45
*456345N	N	3.875	4.999	5.004	.500	45	*457097	S	2.000	3.623	3.628	.500	45
*456350	S	3.937	4.999	5.004	.500	45	*457131N	N	6.500	8.750	8.757	.750	45
*456364	S	7.000	8.000	8.009	.625	45	*457134	S	2.875	4.125	4.130	.375	45
*456364N	N	7.000	8.000	8.009	.625	45	*457149N	N	7.750	10.500	10.510	.750	45
*456364V	V	7.000	8.000	8.009	.625	45	*457149V	V	7.750	10.500	10.510	.750	45
*456370	S	3.000	4.751	4.756	.625	45	*457158	S	2.875	3.876	3.881	.375	45
*456380	S	4.375	5.500	5.506	.500	45	*457163	S	3.000	4.501	4.506	.468	45
*456389	S	3.625	5.501	5.506	.562	45	*457165	S	3.000	4.750	4.756	.500	45
*456414	S	3.500	4.500	4.506	.500	45	*457171	S	3.125	4.375	4.381	.500	45
*456414H	H	3.500	4.501	4.506	.500	45	*457172	S	3.125	4.500	4.506	.500	45
456462	S	9.000	10.375	10.384	.625	45	*457173	S	3.125	4.625	4.631	.500	45
456464	S	9.910	10.997	11.005	.625	45	*457181	S	3.250	4.376	4.381	.500	45
*456472	S	2.375	3.623	3.628	.500	45	*457191	S	3.375	4.500	4.506	.500	45
456472N	N	2.375	3.623	3.628	.500	45	*457196	S	3.500	4.625	4.631	.500	45
*456483	S	10.000	11.250	11.260	.750	45	*457205	S	3.750	4.875	4.881	.500	45
*456494	S	4.500	5.375	5.381	.531	45	*457211	S	3.875	4.875	4.881	.500	45
*456500	S	2.937	3.937	3.942	.500	45	*457247	S	4.750	6.001	6.007	.500	45
*456554	S	8.500	10.000	10.010	.687	45	*457247N	N	4.750	6.001	6.007	.500	45
*456556	S	4.250	5.250	5.256	.500	45	*457254	S	5.500	6.500	6.507	.562	45
456557	V	5.125	6.125	6.131	.500	45	*457262	S	5.250	6.250	6.256	.500	45
*456557V	V	5.125	6.125	6.131	.500	45	*457262N	N	5.250	6.250	6.256	.500	45
456585	S	3.375	4.501	4.506	.468	45	*457278	S	5.000	6.375	6.381	.500	45
456618	S	3.880	5.690	5.695	.500	45	457291	S	2.750	3.538	3.543	.437	45
*456619	S	2.562	3.623	3.628	.500	45	457294	S	4.000	4.750	4.756	.562	45
*456621V	V	4.875	6.000	6.006	.562	45	457295	S	4.437	5.500	5.506	.562	25
*456622	S	2.250	3.350	3.355	.500	45	457299	S	7.750	9.000	9.010	.625	45
*456624	S	3.500	4.376	4.381	.500	45	*457316	S	2.750	3.751	3.756	.375	45
*456626	S	3.875	4.876	4.881	.500	45	*457343	S	2.625	3.751	3.756	.375	45
456641	H	4.625	5.500	5.506	.562	45	*457344	S	2.875	3.751	3.756	.375	45
456648	S	3.312	4.501	4.506	.468	45	*457349	S	3.000	3.751	3.756	.437	45
*456664	S	2.750	3.500	3.505	.375	45	*457350	S	3.000	3.876	3.881	.437	45
*456666	S	5.750	7.001	7.008	.562	45	*457351	S	3.000	4.125	4.130	.437	45
*456676	S	3.875	6.064	6.070	.625	45	*457352	S	3.250	4.500	4.506	.500	45
*456724	S	7.000	8.377	8.384	.750	45	*457353	S	3.250	4.626	4.632	.500	45
*456733	S	3.062	4.331	4.336	.500	45	*457354	S	3.375	4.626	4.632	.500	45
*456744	S	3.625	4.375	4.381	.375	45	*457355	S	3.625	4.875	4.881	.500	45
456744N	N	3.625	4.375	4.381	.375	45	*457356	S	4.000	5.125	5.131	.500	45
*456792	S	2.250	3.623	3.628	.500	45	*457357	S	4.000	5.250	5.256	.500	45
456799	S	3.164	4.999	5.004	.468	45	*457358	S	5.250	6.375	6.381	.500	45
*456799H	H	3.164	4.999	5.004	.468	45	*457359	S	5.250	6.625	6.632	.562	45
*456800	S	4.500	6.001	6.007	.500	45	*457360	S	5.500	6.625	6.632	.562	45
*456830	S	5.125	6.375	6.381	.625	45	*457361	S	5.500	6.875	6.882	.562	45
456837V	V	2.843	4.003	4.008	.500	45	*457362	S	5.750	6.750	6.757	.562	45
*456861	S	2.125	3.350	3.355	.500	45	*457363	S	5.750	6.875	6.882	.562	45
*456865	S	5.000	6.250	6.256	.500	45	*457364	S	5.750	7.125	7.132	.562	45
456865N	N	5.000	6.250	6.256	.500	45	*457365	S	6.000	7.125	7.132	.562	45
*456865V	V	5.000	6.250	6.256	.500	45	*457366	S	3.875	5.250	5.256	.500	45
*456873	S	4.000	5.689	5.695	.500	45	*457382N	N	4.000	4.998	5.004	.375	45
*456876	S	2.750	3.623	3.628	.500	45	*457466	S	7.000	8.251	8.258	.625	45
*456886	S	2.875	4.003	4.008	.500	45	*457557	S	5.750	7.500	7.506	.500	45
*456887	S	4.000	5.500	5.506	.500	45	457585	S	4.562	6.250	6.256	.500	45
*456888	S	4.500	5.500	5.506	.500	45	*457599	S	3.500	4.376	4.381	.375	45
*456888N	N	4.500	5.500	5.506	.500	45	*457649V	V	4.000	5.125	5.130	.312	45

For Illustration and Material Data See Technical Section
 * Call 1-800-480-1212 For Price and Delivery

Part No.	Lip Mat'l	Shaft Size	Hsg. Bore	Seal O.D.	Seal Width	Type/ Illus.	Part No.	Lip Mat'l	Shaft Size	Hsg. Bore	Seal O.D.	Seal Width	Type/ Illus.
450000 SERIES (cont.)							470000 SERIES (cont.)						
*457661V	V	4.250	5.876	5.881	.500	45	*470092	S	1.875	3.189	3.194	.437	47
*457704	S	12.000	13.500	13.508	.750	45	470094	S	1.937	3.189	3.194	.437	47
*457734	S	4.720	6.312	6.318	.473	45	*470095	S	2.000	3.189	3.194	.437	47
*457808	S	6.500	7.627	7.633	.625	45	*470098	S	2.187	3.350	3.355	.468	47
457874	S	6.125	7.627	7.633	.625	45	*470101	S	2.375	3.350	3.355	.468	47
*457961	S	3.312	5.125	5.131	.500	45	*470101N	N	2.375	3.350	3.355	.468	47
*457991	S	7.625	9.250	9.258	.625	45	*470102N	N	2.000	3.371	3.376	.468	47
457997	S	10.500	12.000	12.008	.625	45	*470109	S	1.562	2.750	2.754	.500	47
458009V	V	8.250	9.500	9.509	.625	45	470109N	N	1.562	2.750	2.754	.500	47
470000 SERIES							*470115	S	2.125	2.996	3.001	.500	47
470004	S	.468	1.124	1.126	.375	47	*470117	S	1.875	2.750	2.754	.500	47
470005	S	.500	1.124	1.128	.375	47	*470117H	H	1.875	2.750	2.754	.500	47
*470007	S	.562	1.124	1.128	.375	47	*470117N	N	1.875	2.750	2.754	.500	47
470009	S	.625	1.124	1.128	.375	47	470119	S	.500	.999	1.003	.375	47
*470009N	N	.625	1.124	1.128	.375	47	470120	S	1.000	1.499	1.503	.390	47
470014	S	.500	1.250	1.254	.375	47	*470120N	N	1.000	1.499	1.503	.390	47
*470016	S	.562	1.250	1.254	.375	47	*470121	S	2.125	3.189	3.194	.437	47
470018	S	.625	1.250	1.254	.375	47	*470122	S	1.437	2.623	2.627	.500	47
*470019	S	.500	1.375	1.379	.406	47	470129	S	1.312	2.062	2.066	.437	47
*470021	S	.562	1.375	1.379	.406	47	*470132	S	2.250	3.371	3.376	.468	47
470023	S	.625	1.375	1.379	.406	47	470135	S	1.375	2.125	2.129	.437	47
470025	S	.687	1.375	1.379	.406	47	*470135N	N	1.375	2.125	2.129	.437	47
470027	S	.750	1.375	1.379	.406	47	*470136	N	1.500	2.250	2.254	.500	47
*470028	S	.750	1.499	1.503	.390	47	*470137	S	.687	1.124	1.128	.375	47
*470029	S	.781	1.499	1.503	.390	47	470138V➔	V	1.937	2.686	2.690	.500	47
470032	S	.875	1.499	1.503	.390	47	*470139	S	2.187	2.996	3.001	.500	47
470033	S	.750	1.828	1.832	.437	47	*470140	S	1.250	1.752	1.756	.437	47
470034	S	.781	1.828	1.832	.437	47	*470140N	N	1.250	1.752	1.756	.437	47
*470037	S	.875	1.828	1.832	.437	47	470141	S	.750	1.250	1.254	.375	47
470039	S	.937	1.828	1.832	.437	47	*470143	S	1.562	2.561	2.565	.500	47
470041	S	1.000	1.828	1.832	.437	47	*470144	S	1.437	2.502	2.506	.500	47
470045	S	1.125	1.828	1.832	.437	47	*470152	S	1.187	2.125	2.129	.437	47
*470047	S	1.187	1.983	1.987	.437	47	*470154	S	1.687	2.502	2.506	.500	47
470049	S	1.250	1.983	1.987	.437	47	*470154H	H	1.687	2.502	2.506	.500	47
470050	S	1.281	1.983	1.987	.437	47	*470155	S	1.750	2.758	2.762	.500	47
*470051	S	1.156	2.062	2.066	.437	47	*470157	S	1.000	2.000	2.004	.437	47
*470052	S	1.187	2.062	2.066	.437	47	*470160	S	1.125	2.000	2.004	.437	47
*470053	S	1.312	2.374	2.378	.500	47	470162	S	1.187	2.000	2.004	.437	47
*470055	S	1.375	2.374	2.378	.500	47	*470162N	N	1.187	2.000	2.004	.437	47
470055N	N	1.375	2.374	2.378	.500	47	470163	S	1.250	2.000	2.004	.437	47
*470057	S	1.437	2.374	2.378	.500	47	470163V	V	1.250	2.000	2.004	.437	47
470059	S	1.500	2.374	2.378	.500	47	*470163N	N	1.250	2.000	2.004	.437	47
*470059H	H	1.500	2.374	2.378	.500	47	470165	S	1.250	2.250	2.254	.500	47
*470059N	N	1.500	2.374	2.378	.500	47	*470167	S	1.312	2.250	2.254	.500	47
*470061	S	1.375	2.437	2.441	.468	47	470169	S	1.375	2.250	2.254	.500	47
470062	S	1.437	2.437	2.441	.468	47	*470171	S	1.437	2.250	2.254	.500	47
*470063	S	1.500	2.437	2.441	.468	47	*470171H	H	1.437	2.250	2.254	.500	47
470064	S	1.562	2.437	2.441	.468	47	*470171N	N	1.437	2.250	2.254	.500	47
470066	S	1.625	2.437	2.441	.468	47	*470182	S	1.125	1.983	1.987	.437	47
*470067	S	1.500	2.502	2.506	.500	47	*470183	S	1.750	2.750	2.754	.500	47
*470069	S	1.625	2.623	2.627	.500	47	*470183N	N	1.750	2.750	2.754	.500	47
*470069H	H	1.625	2.623	2.627	.500	47	*470185	S	1.562	2.502	2.506	.500	47
*470070	S	1.750	2.623	2.627	.500	47	*470186	S	1.687	2.750	2.754	.500	47
*470071	S	1.875	2.623	2.627	.500	47	*470187	S	1.000	2.062	2.066	.437	47
*470071H	H	1.875	2.623	2.627	.500	47	470189	S	1.125	1.752	1.756	.437	47
470074	S	1.687	2.686	2.690	.500	47	470189H	H	1.125	1.752	1.756	.437	47
*470076	S	1.750	2.686	2.690	.500	47	*470189N	N	1.125	1.752	1.756	.437	47
470077	S	1.500	2.758	2.762	.500	47	470190	S	1.500	2.561	2.565	.500	47
*470080	S	1.687	2.875	2.879	.468	47	*470194	S	1.625	2.502	2.506	.500	47
*470082	S	1.875	2.875	2.879	.468	47	470195	S	.312	.999	1.003	.375	47
*470084	S	1.875	2.996	3.001	.500	47	470199	S	.437	.999	1.003	.375	47
*470085	S	2.000	2.996	3.001	.500	47	*470199N	N	.437	.999	1.003	.375	47
*470085H	H	2.000	2.996	3.001	.500	47	*470199V	V	.437	.999	1.003	.375	47
*470085N	N	2.000	2.996	3.001	.500	47	*470202	S	.562	.999	1.003	.375	47
470086	S	1.687	3.062	3.066	.500	47	*470203	S	.781	1.375	1.379	.406	47
*470087	S	1.750	3.061	3.066	.500	47	470204	S	.812	1.375	1.379	.406	47
470088	S	1.750	3.189	3.194	.437	47	*470205	S	.687	1.499	1.503	.390	47
*470090	S	1.812	3.189	3.194	.437	47	470207	S	.906	1.499	1.503	.390	47

NUMERICAL SECTION

For Illustration and Material Data See Technical Section
 ➔ Hydrodynamic Lip Design-CW * Call 1-800-480-1212 For Price and Delivery

Numerical List Size & Type

NATIONAL®

Part No.	Lip Mat'l	Shaft Size	Hsg. Bore	Seal O.D.	Seal Width	Type/ Illus.	Part No.	Lip Mat'l	Shaft Size	Hsg. Bore	Seal O.D.	Seal Width	Type/ Illus.
470000 SERIES (cont.)							470000 SERIES (cont.)						
470211	S	.750	1.624	1.628	.437	47	470358N	N	1.625	2.374	2.378	.500	47
*470212	S	.781	1.624	1.628	.437	47	*470359	S	1.750	2.996	3.001	.500	47
470215	S	.875	1.624	1.628	.437	47	*470360	S	2.000	2.686	2.690	.500	47
470219	S	1.000	1.624	1.628	.437	47	470361	S	1.750	2.561	2.565	.500	47
*470219N	N	1.000	1.624	1.628	.437	47	470361V	V	1.750	2.561	2.565	.500	47
*470222	S	.750	1.752	1.756	.437	47	470362	S	1.156	2.125	2.129	.437	47
*470223	S	.781	1.752	1.756	.437	47	*470365	S	2.125	2.875	2.879	.468	47
*470226	S	.875	1.752	1.756	.437	47	*470368V	V	1.250	2.125	2.129	.268	47
470230	S	1.000	1.752	1.756	.437	47	470380	S	1.500	2.375	2.378	.312	47
*470230H	H	1.000	1.752	1.756	.437	47	470380A	A	1.500	2.375	2.379	.312	47
*470233	S	1.000	1.874	1.878	.437	47	470380V	V	1.500	2.375	2.378	.312	47
470236	S	1.125	1.874	1.878	.437	47	*470381	S	1.125	1.624	1.628	.437	47
470241	S	1.125	2.062	2.066	.437	47	*470389	S	2.000	2.750	2.754	.500	47
*470241V	V	1.125	2.062	2.066	.437	47	*470389N	N	2.000	2.750	2.754	.500	47
470244	S	1.250	2.062	2.066	.437	47	470390	S	.750	1.874	1.878	.250	47
470245	S	1.250	2.125	2.129	.437	47	*470390N	N	.750	1.874	1.878	.250	47
*470247	S	1.312	2.125	2.129	.437	47	470394	S	1.500	2.125	2.129	.437	47
*470262	S	1.562	2.623	2.627	.500	47	*470394H	H	1.500	2.125	2.129	.437	47
*470265	S	1.687	2.623	2.627	.500	47	*470394N	N	1.500	2.125	2.129	.437	47
*470265H	H	1.687	2.623	2.627	.500	47	470398	S	.875	1.374	1.378	.406	47
*470267	S	1.812	2.623	2.627	.500	47	470403	S	1.375	2.062	2.066	.437	47
*470267V	V	1.812	2.623	2.627	.500	47	470409	S	1.937	2.412	2.416	.468	47
*470272	S	1.875	2.686	2.690	.500	47	*470410	S	2.000	2.623	2.627	.500	47
*470273	S	1.562	2.758	2.762	.500	47	*470418	S	1.562	2.875	2.879	.468	47
*470283	S	1.875	2.758	2.762	.500	47	*470424	S	.875	1.874	1.878	.437	47
*470283H	H	1.875	2.758	2.762	.500	47	*470433	S	2.250	3.125	3.130	.500	47
*470283N	N	1.875	2.758	2.762	.500	47	*470438	S	1.562	2.374	2.378	.500	47
470286	S	1.625	2.750	2.754	.500	47	*470441	S	2.250	2.996	3.001	.500	47
*470291	S	1.750	2.875	2.879	.468	47	*470441V	V	2.250	2.996	3.001	.500	47
*470298	S	1.875	3.000	3.005	.500	47	*470442V★	V	30.00	72.00	72.14	9.50	47
*470300	S	1.937	3.000	3.005	.500	47			1.181	2.835	2.840	.374	
*470301	S	2.000	3.000	3.005	.500	47	*470444	S	1.375	2.502	2.506	.500	47
*470303	S	2.125	3.000	3.005	.500	47	*470449	S	1.000	1.561	1.565	.375	47
*470303N	N	2.125	3.000	3.005	.500	47	470451	S	1.500	2.062	2.066	.437	47
*470303V	V	2.125	3.000	3.005	.500	47	*470451H	H	1.500	2.062	2.066	.437	47
*470304	S	1.875	3.061	3.066	.500	47	*470452	S	1.375	2.835	2.839	.468	47
*470308	S	2.125	3.061	3.066	.500	47	*470453	S	1.437	2.125	2.129	.437	47
470308N	N	2.125	3.061	3.066	.500	47	*470453N	N	1.437	2.125	2.129	.437	47
*470309	S	1.937	3.125	3.130	.500	47	*470455	S	1.937	2.623	2.627	.500	47
*470310	S	2.000	3.125	3.130	.500	47	470460	S	1.687	2.561	2.565	.500	47
*470312	S	2.125	3.125	3.130	.500	47	*470461	S	1.500	2.750	2.754	.500	47
*470312N	N	2.125	3.125	3.130	.500	47	*470463	S	1.375	2.750	2.754	.500	47
*470314	S	2.125	3.251	3.256	.500	47	*470479	S	1.687	2.437	2.441	.468	47
*470314N	N	2.125	3.251	3.256	.500	47	*470481	S	1.250	2.437	2.441	.468	47
*470315	S	2.187	3.251	3.256	.500	47	470487	S	1.500	2.686	2.690	.500	47
*470316	S	2.250	3.251	3.256	.500	47	470487N	N	1.500	2.686	2.690	.500	47
*470317	S	2.312	3.251	3.256	.500	47	*470489	S	2.187	2.875	2.879	.468	47
*470320	S	2.375	3.189	3.194	.437	47	*470494	S	1.750	2.502	2.506	.375	47
*470322	S	2.437	3.251	3.256	.500	47	*470494N	N	1.750	2.502	2.506	.375	47
*470326	S	1.500	2.996	3.001	.500	47	*470496	S	2.500	3.350	3.355	.468	47
470328	S	1.187	1.686	1.690	.375	47	470503	S	1.312	2.437	2.441	.468	47
*470330	S	2.500	3.371	3.376	.468	47	*470504	S	1.375	2.623	2.627	.500	47
*470330N	N	2.500	3.371	3.376	.468	47	470506	S	.718	1.250	1.254	.375	47
470331N	N	1.843	2.750	2.754	.500	47	470515	S	.812	1.561	1.565	.375	47
470334	S	1.750	2.686	2.690	.375	47	*470519	S	2.500	3.251	3.256	.500	47
470336	S	1.187	2.250	2.254	.500	47	*470519N	S	2.500	3.251	3.256	.500	47
470340	S	.750	1.561	1.565	.375	47	*470520	S	2.250	3.000	3.005	.500	47
470342	S	1.062	1.983	1.987	.437	47	*470520N	N	2.250	3.000	3.005	.500	47
*470344	S	1.187	1.828	1.832	.437	47	*470521	S	1.312	1.874	1.878	.437	47
470347	S	1.187	2.437	2.441	.468	47	*470522	S	1.375	2.000	2.004	.437	47
*470350	S	2.375	3.371	3.376	.468	47	*470523	S	1.500	2.875	2.879	.468	47
470351	S	1.750	2.437	2.441	.468	47	*470524	S	1.875	3.371	3.376	.468	47
*470352	S	1.750	2.502	2.506	.500	47	470530	S	2.000	2.996	3.001	.375	47
*470352H	H	1.750	2.502	2.506	.500	47	470530V	V	2.000	2.996	3.001	.375	47
470354	S	2.187	3.189	3.194	.437	47	470541	S	1.000	1.752	1.756	.375	47
*470355	S	.687	1.250	1.254	.375	47	*470541N	N	1.000	1.752	1.756	.375	47
470358	S	1.625	2.374	2.378	.500	47	470543	S	2.000	2.716	2.720	.468	47
*470358H	H	1.625	2.374	2.378	.500	47	470547	S	2.882	3.431	3.436	.291	47

For Illustration and Material Data See Technical Section
 * Call 1-800-480-1212 For Price and Delivery ★ Metric Seal

Part No.	Lip Mat'l	Shaft Size	Hsg. Bore	Seal O.D.	Seal Width	Type/ Illus.	Part No.	Lip Mat'l	Shaft Size	Hsg. Bore	Seal O.D.	Seal Width	Type/ Illus.
470000 SERIES (cont.)							470000 SERIES (cont.)						
470548	S	1.500	2.250	2.254	.375	47	*470791N	N	.625	1.124	1.128	.312	47
*470552	S	2.375	3.125	3.130	.500	47	470806	S	1.250	2.835	2.839	.468	47
*470552H	H	2.375	3.125	3.130	.500	47	470808	S	1.437	2.750	2.754	.500	47
*470552N	N	2.375	3.125	3.130	.500	47	*470824★	S	50.00	70.00	70.10	9.00	47
470553	S	1.000	1.499	1.503	.312	47			1.969	2.756	2.760	.354	
*470553H	H	1.000	1.499	1.503	.312	47	*470825	S	2.375	3.623	3.628	.375	47
*470553N	N	1.000	1.499	1.503	.312	47	*470856★	S	50.00	65.00	65.15	8.00	47
470557	S	.625	1.377	1.381	.406	47			1.969	2.559	2.565	.315	
*470559	S	1.250	2.374	2.378	.500	47	*470867	S	2.125	2.875	2.879	.437	47
*470561	S	1.312	2.000	2.004	.375	47	*470867H	H	2.125	2.875	2.879	.437	47
470565	S	2.375	3.125	3.130	.375	47	*470867N	N	2.125	2.875	2.879	.437	47
*470565N	N	2.375	3.125	3.130	.375	47	*470877	S	.875	1.575	1.579	.250	47
*470565V	V	2.375	3.125	3.130	.375	47	470895	S	.750	1.375	1.379	.312	47
470567	S	.875	1.375	1.379	.312	47	470898	S	2.125	2.875	2.879	.375	47
*470567H	H	.875	1.375	1.379	.312	47	470898V	V	2.125	2.875	2.879	.375	45
470567N	N	.875	1.375	1.379	.312	47	470898A	A	2.125	2.875	2.879	.375	47
*470567V	V	.875	1.375	1.379	.312	47	*470898N	N	2.125	2.875	2.879	.375	47
*470574	S	2.375	3.251	3.256	.500	47	*470903	S	1.562	2.502	2.506	.375	47
470574N	N	2.375	3.251	3.256	.500	47	*470929	S	1.750	2.374	2.378	.500	47
470588	S	.812	1.575	1.579	.375	47	470946	S	1.187	2.686	2.690	.500	47
470590	S	.875	1.752	1.756	.250	47	470950	S	1.375	2.437	2.441	.375	47
470592	S	.812	1.499	1.503	.312	47	470954	S	.750	1.250	1.254	.250	47
470593	S	1.000	1.828	1.832	.296	47	470954A	A	.750	1.250	1.254	.250	47
470596	S	1.687	2.835	2.839	.468	47	*470954H	H	.750	1.250	1.254	.250	47
470596V	V	1.687	2.835	2.839	.468	47	*470954N	N	.750	1.250	1.254	.250	47
470601	S	.781	1.250	1.254	.250	47	470954V	V	.750	1.250	1.254	.250	47
470604	S	1.125	2.250	2.254	.500	47	*470961	S	2.562	3.371	3.376	.468	47
470605	S	2.500	3.371	3.376	.375	47	*470972	S	2.125	3.371	3.376	.468	47
470606	S	1.062	1.686	1.690	.375	47	*470975	S	.625	1.499	1.503	.390	47
*470610	S	.750	1.874	1.878	.437	47	470987	S	2.375	3.481	3.486	.437	47
470625	S	1.500	2.250	2.254	.312	47	*470988	S	2.375	3.061	3.066	.500	47
470625A	A	1.500	2.250	2.254	.312	47	*470988N	N	2.375	3.061	3.066	.500	47
*470625N	N	1.500	2.250	2.254	.312	47	470989	S	1.375	3.000	3.005	.500	47
470625V	V	1.500	2.250	2.254	.312	47	*470991N	N	1.500	2.062	2.066	.375	47
*470639	S	2.125	2.835	2.839	.468	47	*471001	S	1.062	1.750	1.754	.375	47
*470642	S	1.125	2.000	2.004	.500	47	471015	S	.937	1.375	1.379	.312	47
470645	S	.875	2.000	2.004	.437	47	*471016	S	1.562	2.125	2.129	.437	47
*470650	S	.562	1.000	1.004	.312	47	471024	S	.625	1.624	1.628	.437	47
*470652	S	1.250	2.000	2.004	.375	47	*471031	S	.781	1.378	1.382	.406	47
470672	S	1.399	2.250	2.254	.250	47	*471060	S	1.125	2.125	2.129	.437	47
470680	S	.875	1.499	1.503	.312	47	471076	S	1.031	1.575	1.579	.312	47
*470681	S	2.187	3.125	3.130	.500	47	471076V	V	1.031	1.575	1.579	.312	47
470682	S	1.562	2.623	2.627	.312	47	471076V	V	1.031	1.575	1.579	.312	47
*470683	S	1.250	1.874	1.878	.375	47	*471078	S	1.875	3.251	3.256	.500	47
*470684	S	1.562	2.441	2.445	.500	47	*471084	S	1.562	2.250	2.254	.500	47
470687	S	1.687	3.125	3.130	.500	47	*471091	S	2.000	3.062	3.066	.500	47
*470687N	N	1.687	3.125	3.130	.500	47	*471091N	N	2.000	3.062	3.066	.500	47
*470706	S	1.250	1.979	1.983	.375	47	471100	S	1.125	1.624	1.628	.312	47
470712	S	1.125	1.874	1.878	.250	47	*471100N	N	1.125	1.624	1.628	.312	47
470712A	A	1.125	1.874	1.878	.250	47	471103	S	.375	.999	1.004	.250	47
*470712N	N	1.125	1.874	1.878	.250	47	471105	S	1.375	2.875	2.879	.468	47
470712V	V	1.125	1.874	1.878	.250	47	*471122	S	1.750	2.437	2.441	.375	47
*470719	S	1.750	3.000	3.005	.500	47	*471131	S	1.375	2.374	2.378	.375	47
*470719H	H	1.750	3.000	3.005	.500	47	*471131N	N	1.375	2.374	2.378	.375	47
*470720	S	1.875	3.125	3.130	.500	47	*471133	S	1.125	1.752	1.756	.375	47
470737	S	2.250	3.189	3.194	.437	47	*471136	S	1.375	2.248	2.252	.375	47
470737N	N	2.250	3.189	3.194	.437	47	471137	S	.875	1.828	1.832	.375	47
*470746	S	1.437	2.686	2.690	.500	47	471138	S	2.250	3.125	3.130	.375	47
*470751	S	1.562	2.686	2.690	.500	47	*471139	S	1.875	3.000	3.005	.375	47
*470755	S	1.625	2.250	2.254	.500	47	471141	S	1.750	2.875	2.879	.375	47
470764	S	2.375	2.996	3.001	.500	47	471141V	V	1.750	2.875	2.879	.375	47
470774	S	1.375	2.062	2.066	.375	47	*471143N	N	2.625	3.251	3.256	.437	47
*470774N	N	1.375	2.062	2.066	.375	47	*471150	S	1.625	2.374	2.378	.375	47
470774V	V	1.375	2.062	2.066	.375	47	471169	S	1.750	2.411	2.415	.380	47
*470776	S	1.375	2.686	2.690	.500	47	471169N	N	1.750	2.411	2.415	.380	47
*470783	S	1.843	2.502	2.506	.500	47	*471171	S	.984	1.500	1.504	.312	47
*470791	S	.625	1.124	1.128	.312	47	471192	S	1.375	2.125	2.129	.312	47
*470791H	H	.625	1.124	1.128	.312	47	471192V	V	1.375	2.125	2.129	.312	47

NUMERICAL SECTION

For Illustration and Material Data See Technical Section
 * Call 1-800-480-1212 For Price and Delivery ★ Metric Seal

Numerical List Size & Type

NATIONAL®



Part No.	Lip Mat'l	Shaft Size	Hsg. Bore	Seal O.D.	Seal Width	Type/ Illus.	Part No.	Lip Mat'l	Shaft Size	Hsg. Bore	Seal O.D.	Seal Width	Type/ Illus.
470000 SERIES (cont.)							470000 SERIES (cont.)						
*471192N	N	1.375	2.125	2.129	.312	47	471413A	A	1.250	1.752	1.756	.250	47
471193	S	1.301	2.000	2.004	.437	47	*471413N	N	1.250	1.752	1.756	.250	47
471193N	N	1.301	2.000	2.004	.437	47	471413V	V	1.250	1.752	1.756	.250	47
471195	S	1.937	2.502	2.506	.375	47	471419	S	1.625	2.437	2.441	.375	47
*471211	S	.493	1.000	1.004	.250	47	471424	S	2.000	2.623	2.627	.312	47
471224	S	1.000	1.499	1.503	.250	47	471424A	A	2.000	2.623	2.627	.312	47
471224A	A	1.000	1.499	1.503	.250	47	471424V	V	2.000	2.623	2.627	.312	47
*471224N	N	1.000	1.499	1.503	.250	47	471442	S	.500	.999	1.003	.250	47
471224V	V	1.000	1.499	1.503	.250	47	471442A	A	.500	.999	1.003	.250	47
471231	S	.812	1.375	1.379	.312	47	*471442H	H	.500	.999	1.003	.250	47
471231V	V	.812	1.375	1.379	.312	47	*471442N	N	.500	.999	1.003	.250	47
*471246	S	1.250	1.874	1.878	.437	47	471442V	V	.500	.999	1.003	.250	47
471255	S	.625	1.375	1.379	.250	47	471443	S	.781	1.375	1.379	.250	47
471255A	A	.625	1.375	1.379	.250	47	*471443N	N	.781	1.375	1.379	.250	47
471255V	V	.625	1.375	1.379	.250	47	*471456	S	1.187	1.874	1.878	.437	47
471264	S	.625	1.250	1.254	.250	47	*471463	S	1.875	2.835	2.839	.468	47
471264V	V	.625	1.250	1.254	.250	47	*471464H	H	1.125	2.000	2.004	.312	47
471264A	A	.625	1.250	1.254	.250	47	471465	S	1.000	1.689	1.693	.250	47
471267	S	.875	1.375	1.379	.250	47	471466	S	.625	1.124	1.128	.250	47
471267A	A	.875	1.375	1.379	.250	47	471466A	A	.625	1.124	1.128	.250	47
*471267H	H	.875	1.375	1.379	.250	47	*471466N	N	.625	1.124	1.128	.250	47
*471267T	T	.875	1.375	1.379	.250	47	471466V	V	.625	1.124	1.128	.250	47
471267V	V	.875	1.375	1.379	.250	47	471472	S	.500	1.250	1.254	.250	47
471268	S	1.375	2.000	2.004	.375	47	471472V	V	.500	1.250	1.254	.250	47
471268N	N	1.375	2.000	2.004	.375	47	*471475	S	2.625	3.543	3.548	.500	47
*471268V	V	1.375	2.000	2.004	.375	47	*471490	S	.500	1.000	1.004	.250	47
471270	S	1.000	1.561	1.565	.250	47	471498	S	.750	1.575	1.579	.312	47
471270V	V	1.000	1.561	1.565	.250	47	*471498H	H	.750	1.575	1.579	.312	47
471271	S	2.500	3.251	3.256	.375	47	471504	S	1.750	2.437	2.441	.312	47
471271A	A	2.500	3.251	3.256	.375	47	471504V	V	1.750	2.437	2.441	.312	47
471271V	V	2.500	3.251	3.256	.375	47	*471507	S	1.500	2.252	2.256	.375	47
471272	S	2.250	3.000	3.005	.375	47	*471507N	N	1.500	2.252	2.256	.375	47
*471272H	H	2.250	3.000	3.005	.375	47	*471509	S	2.500	3.250	3.256	.437	47
471272N	N	2.250	3.000	3.005	.375	47	*471509V	V	2.500	3.250	3.256	.437	47
471272V	V	2.250	3.000	3.005	.375	47	471516	S	1.000	2.441	2.445	.375	47
471276	S	1.375	2.441	2.445	.375	47	471526	S	.500	1.124	1.128	.250	47
*471276N	N	1.375	2.441	2.445	.375	47	471526V	V	.500	1.124	1.128	.250	47
471276V	V	1.375	2.441	2.445	.375	47	471526A	A	.500	1.124	1.128	.250	47
471281	S	.562	1.124	1.128	.250	47	471529	S	.687	1.124	1.128	.250	47
*471288	S	1.750	2.374	2.378	.375	47	471530	S	.531	1.124	1.128	.312	47
*471288N	N	1.750	2.374	2.378	.375	47	471532	S	.593	1.124	1.128	.312	47
*471289	S	1.625	2.251	2.256	.375	47	471535	S	.562	1.250	1.254	.250	47
*471291V	V	.625	1.181	1.185	.350	47	471538	S	.687	1.250	1.254	.250	47
*471294	S	.500	1.124	1.128	.312	47	471539	S	.812	1.250	1.254	.250	47
*471297	S	.687	1.125	1.129	.312	47	*471540	S	.781	1.250	1.254	.375	47
*471297N	N	.687	1.125	1.129	.312	47	471540V	V	.781	1.250	1.254	.375	47
*471308	S	1.500	2.374	2.378	.375	47	471549	S	.500	1.375	1.379	.250	47
*471315	S	.562	.999	1.003	.250	47	471551	S	.562	1.375	1.379	.250	47
471316	S	1.562	2.686	2.690	.375	47	471553	S	.687	1.375	1.379	.250	47
*471324	S	.625	1.375	1.379	.312	47	471554	S	.750	1.375	1.379	.250	47
471337	S	.781	1.752	1.756	.312	47	471554A	A	.750	1.375	1.379	.250	47
*471338	S	2.187	3.000	3.005	.500	47	*471554N	N	.750	1.375	1.379	.250	47
471341	S	2.250	2.996	3.001	.437	47	471554V	V	.750	1.375	1.379	.250	47
*471341H	H	2.250	2.996	3.001	.437	47	471555	S	.500	1.375	1.379	.312	47
471341N	N	2.250	2.996	3.001	.437	47	471558	S	.593	1.375	1.379	.312	47
471344	S	1.500	2.441	2.445	.375	47	*471559	S	.687	1.375	1.379	.312	47
471353	S	30.00	62.00	62.10	9.50	47	*471560	S	.781	1.375	1.379	.312	47
		1.181	2.441	2.445	.374		471564	S	.625	1.499	1.503	.250	47
471354	S	1.187	2.062	2.066	.250	47	471567	S	.750	1.499	1.503	.250	47
*471376	S	2.250	3.500	3.505	.375	47	471570	S	.875	1.499	1.503	.250	47
471379	S	1.375	3.150	3.154	.375	47	471571	S	.937	1.499	1.503	.250	47
*471385	S	.750	1.983	1.987	.437	47	471571V	V	.937	1.499	1.503	.250	47
471391	S	1.937	3.125	3.130	.375	47	471571V	V	.937	1.499	1.503	.250	47
*471394	S	2.312	3.251	3.256	.375	47	*471577	S	.625	1.499	1.503	.312	47
471405	S	1.437	3.000	3.005	.500	47	471579	S	.687	1.499	1.503	.312	47
471407	S	1.250	2.441	2.445	.375	47	*471580	S	.750	1.499	1.503	.312	47
*471410	S	1.687	2.328	2.332	.437	47	*471581	S	.781	1.499	1.503	.312	47
471413	S	1.250	1.752	1.756	.250	47							

For Illustration and Material Data See Technical Section
 * Call 1-800-480-1212 For Price and Delivery * Metric Seal

Part No.	Lip Mat'l	Shaft Size	Hsg. Bore	Seal O.D.	Seal Width	Type/ Illus.	Part No.	Lip Mat'l	Shaft Size	Hsg. Bore	Seal O.D.	Seal Width	Type/ Illus.
470000 SERIES (cont.)							470000 SERIES (cont.)						
471612	S	.625	1.575	1.579	.312	47	471760	S	1.000	2.000	2.004	.250	47
*471618	S	1.000	1.575	1.579	.312	47	471760A	A	1.000	2.000	2.004	.250	47
471619	S	1.000	2.062	2.066	.250	47	471760V	V	1.000	2.000	2.004	.250	47
471633	S	.875	1.577	1.581	.250	47	471762	S	1.062	2.000	2.004	.250	47
*471633N	N	.875	1.577	1.581	.250	47	471763	S	1.125	2.000	2.004	.250	47
471642	S	.687	1.624	1.628	.250	47	471763A	A	1.125	2.000	2.004	.250	47
471643	S	.750	1.624	1.628	.250	47	471763V	V	1.125	2.000	2.004	.250	47
471645	S	.812	1.624	1.628	.250	47	471764	S	1.156	2.000	2.004	.250	47
471645V	V	.812	1.624	1.628	.250	47	471765	S	1.187	2.000	2.004	.250	47
471646	S	.875	1.624	1.628	.250	47	*471765N	N	1.187	2.000	2.004	.250	47
471647	S	.937	1.624	1.628	.250	47	471766	S	1.250	2.000	2.004	.250	47
471648	S	.968	1.624	1.628	.250	47	471766A	A	1.250	2.000	2.004	.250	47
471649	S	1.000	1.624	1.628	.250	47	471766V	V	1.250	2.000	2.004	.250	47
471649A	A	1.000	1.624	1.628	.250	47	*471770	S	1.000	2.000	2.004	.375	47
471649V	V	1.000	1.624	1.628	.250	47	471772	S	1.062	2.000	2.004	.375	47
471651	S	1.062	1.624	1.628	.250	47	*471781N	N	1.250	2.031	2.035	.375	47
471652	S	1.125	1.624	1.628	.250	47	471785	S	1.125	2.062	2.066	.250	47
471652A	A	1.125	1.624	1.628	.250	47	*471785V	V	1.125	2.062	2.066	.250	47
*471652H	H	1.125	1.624	1.628	.250	47	471787	S	1.250	2.062	2.066	.250	47
*471652N	N	1.125	1.624	1.628	.250	47	471787V	V	1.250	2.062	2.066	.250	47
471652V	V	1.125	1.624	1.628	.250	47	471787A	A	1.250	2.062	2.066	.250	47
471653	S	.625	1.624	1.628	.312	47	471795	S	1.250	2.125	2.129	.250	47
*471656	S	.750	1.624	1.628	.312	47	471795V	V	1.250	2.125	2.129	.250	47
*471656H	H	.750	1.624	1.628	.312	47	471795N	N	1.250	2.125	2.129	.250	47
*471659	S	.875	1.624	1.628	.312	47	471801	S	1.250	2.252	2.256	.375	47
*471660	S	.937	1.624	1.628	.312	47	*471801H	H	1.250	2.252	2.256	.375	47
*471662	S	1.000	1.624	1.628	.312	47	471808	S	1.250	2.374	2.378	.375	47
471684	S	.750	1.752	1.756	.250	47	*471809	S	1.437	2.374	2.378	.375	47
471686	S	.812	1.752	1.756	.250	47	*471810	S	1.562	2.374	2.378	.375	47
471688	S	.968	1.752	1.756	.250	47	*471810V	V	1.562	2.374	2.378	.375	47
471689	S	1.000	1.752	1.756	.250	47	*471812	S	1.687	2.374	2.378	.375	47
471689A	A	1.000	1.752	1.756	.250	47	471817	S	1.812	2.437	2.441	.468	47
471689V	V	1.000	1.752	1.756	.250	47	471818	S	1.250	2.437	2.441	.375	47
471692	S	1.125	1.752	1.756	.250	47	471820	S	1.500	2.437	2.441	.375	47
471692V	V	1.125	1.752	1.756	.250	47	471821	S	1.562	2.437	2.441	.375	47
471692A	A	1.125	1.752	1.756	.250	47	*471821H	H	1.562	2.437	2.441	.375	47
*471692N	N	1.125	1.752	1.756	.250	47	471827	S	1.562	2.441	2.445	.375	47
*471695	S	.625	1.752	1.756	.312	47	471829	S	1.625	2.441	2.445	.375	47
471698	S	.750	1.752	1.756	.312	47	471829V	V	1.625	2.441	2.445	.375	47
*471700	S	.875	1.752	1.756	.312	47	471831	S	1.750	2.441	2.445	.375	47
*471702	S	.968	1.752	1.756	.312	47	*471831H	H	1.750	2.441	2.445	.375	47
*471703	S	1.000	1.752	1.756	.312	47	*471831N	N	1.750	2.441	2.445	.375	47
471705	S	1.062	1.752	1.756	.312	47	*471831V	V	1.750	2.441	2.445	.375	47
*471706	S	1.125	1.752	1.756	.312	47	471833	S	1.250	2.502	2.506	.375	47
*471706N	N	1.125	1.752	1.756	.312	47	471835	S	1.375	2.502	2.506	.375	47
471707	S	1.156	1.752	1.756	.312	47	*471837	S	1.500	2.502	2.506	.375	47
471707N	N	1.156	1.752	1.756	.312	47	*471839	S	1.625	2.502	2.506	.375	47
471709	S	1.250	1.752	1.756	.312	47	*471839H	H	1.625	2.502	2.506	.375	47
*471709H	H	1.250	1.752	1.756	.312	47	*471839N	N	1.625	2.502	2.506	.375	47
*471709N	N	1.250	1.752	1.756	.312	47	471841	S	1.843	2.502	2.506	.375	47
*471709V	V	1.250	1.752	1.756	.312	47	471845N	N	1.250	2.561	2.565	.500	47
*471718	S	1.062	1.752	1.756	.375	47	*471847	S	1.375	2.561	2.565	.500	47
471729	S	.812	1.874	1.878	.250	47	471847N	N	1.375	2.561	2.565	.500	47
471730	S	.875	1.874	1.878	.250	47	*471853	S	1.875	2.561	2.565	.500	47
471733	S	1.000	1.874	1.878	.250	47	471854	S	1.937	2.561	2.565	.500	47
*471733N	N	1.000	1.874	1.878	.250	47	471862	S	1.437	2.686	2.690	.375	47
471735	S	1.062	1.874	1.878	.250	47	471866	S	1.812	2.686	2.690	.375	47
*471735H	H	1.062	1.874	1.878	.250	47	*471866N	N	1.812	2.686	2.690	.375	47
471736	S	1.156	1.874	1.878	.250	47	471868	S	1.875	2.686	2.690	.375	47
471737	S	1.250	1.874	1.878	.250	47	471869	S	1.937	2.686	2.690	.375	47
471737V	V	1.250	1.874	1.878	.250	47	*471869N	N	1.937	2.686	2.690	.375	47
471744	S	1.000	1.983	1.987	.250	47	471870	S	2.000	2.686	2.690	.375	47
471747	S	1.125	1.983	1.987	.250	47	471883	S	2.000	2.686	2.690	.437	47
*471749	S	1.187	1.983	1.987	.250	47	471887	S	2.437	3.125	3.130	.375	47
471750	S	1.250	1.983	1.987	.250	47	*471887H	H	2.437	3.125	3.130	.375	47
471750A	A	1.250	1.983	1.987	.250	47	*471887N	N	2.437	3.125	3.130	.375	47
471750V	V	1.250	1.983	1.987	.250	47	471904	S	1.312	2.835	2.839	.468	47
*471755	S	1.312	1.983	1.987	.437	47	471915	S	1.500	2.835	2.839	.468	47

NUMERICAL SECTION

For Illustration and Material Data See Technical Section
 * Call 1-800-480-1212 For Price and Delivery

Numerical List Size & Type

NATIONAL®



Part No.	Lip Mat'l	Shaft Size	Hsg. Bore	Seal O.D.	Seal Width	Type/ Illus.	Part No.	Lip Mat'l	Shaft Size	Hsg. Bore	Seal O.D.	Seal Width	Type/ Illus.
470000 SERIES (cont.)							470000 SERIES (cont.)						
471923N	N	1.625	2.875	2.879	.437	47	472234	S	2.187	2.996	3.001	.375	47
*471936	S	1.875	2.875	2.879	.437	47	*472236H	H	2.116	3.189	3.194	.468	47
*471940	S	1.937	2.875	2.879	.437	47	*472237	S	.781	1.850	1.854	.375	47
*471943	S	2.000	2.835	2.839	.468	47	472238	S	.968	2.440	2.445	.375	47
*471944	S	2.000	2.875	2.879	.437	47	472239	S	1.156	2.834	2.839	.375	47
*471949	S	2.125	2.750	2.754	.500	47	*472246	S	1.750	2.374	2.378	.437	47
*471949H	H	2.125	2.750	2.754	.500	47	472258	S	1.375	2.000	2.004	.312	47
*471949N	N	2.125	2.750	2.754	.500	47	472258A	A	1.375	2.000	2.004	.312	47
471950	S	2.125	2.758	2.762	.437	47	*472258N	N	1.375	2.000	2.004	.312	47
*471950H	H	2.125	2.758	2.762	.437	47	472258V	V	1.375	2.000	2.004	.312	47
*471950N	N	2.125	2.758	2.762	.437	47	472287	S	1.375	2.106	2.110	.312	47
471952	S	2.187	2.835	2.839	.468	47	472299	S	1.562	2.374	2.378	.312	47
*471953	S	2.187	2.875	2.879	.437	47	472299V	V	1.562	2.374	2.378	.312	47
471958	S	1.500	3.000	3.005	.375	47	472311	S	1.000	1.437	1.441	.250	47
471981	S	1.687	3.000	3.005	.375	47	472311V	V	1.000	1.437	1.441	.250	47
471984	S	1.750	3.000	3.005	.375	47	472319	S	1.937	2.623	2.627	.312	47
*471984N	N	1.750	3.000	3.005	.375	47	*472319V	V	1.937	2.623	2.627	.312	47
*472005	S	1.875	3.125	3.130	.375	47	472324	S	.984	1.499	1.503	.250	47
*472008	S	2.000	2.996	3.001	.437	47	472324A	A	.984	1.499	1.503	.250	47
*472009	S	2.000	3.000	3.005	.375	47	*472324H	H	.984	1.499	1.503	.250	47
*472009N	N	2.000	3.000	3.005	.375	47	472324V	V	.984	1.499	1.503	.250	47
*472010	S	2.000	3.125	3.130	.375	47	*472331	S	2.000	2.623	2.627	.375	47
472012	S	2.062	3.000	3.005	.375	47	472341	S	2.000	2.742	2.746	.375	47
472015	S	2.125	3.000	3.005	.375	47	*472341N	N	2.000	2.742	2.746	.375	47
*472015N	N	2.125	3.000	3.005	.375	47	472350	S	1.187	2.165	2.169	.250	47
472015V	V	2.125	3.000	3.005	.375	47	472354	S	1.375	1.874	1.878	.250	47
472016	S	2.125	3.125	3.130	.375	47	472354V	V	1.375	1.874	1.878	.250	47
*472017	S	2.187	2.996	3.001	.437	47	*472361	S	.750	2.374	2.378	.375	47
472018	S	2.187	3.000	3.005	.375	47	472394	S	1.937	3.000	3.005	.312	47
*472018N	N	2.187	3.000	3.005	.375	47	472397	S	2.000	3.000	3.005	.312	47
*472018V	V	2.187	3.000	3.005	.375	47	472397V	V	2.000	3.000	3.005	.312	47
*472019	S	2.187	3.062	3.066	.500	47	472409	S	2.125	3.189	3.194	.375	47
472020	S	2.187	3.125	3.130	.375	47	*472409N	N	2.125	3.189	3.194	.375	47
472029	S	2.500	3.189	3.194	.375	47	*472409V	V	2.125	3.189	3.194	.375	47
*472035	S	2.187	3.371	3.376	.468	47	472419	S	1.625	2.116	2.120	.312	47
472041	S	1.875	2.502	2.506	.375	47	*472419N	N	1.625	2.116	2.120	.312	47
*472041N	N	1.875	2.502	2.506	.375	47	472432	S	1.187	2.441	2.445	.375	47
*472065	S	.864	1.375	1.379	.250	47	472439	S	1.875	2.623	2.627	.312	47
*472065N	N	.864	1.375	1.379	.250	47	472439A	A	1.875	2.623	2.627	.312	47
472070	S	1.812	2.623	2.627	.375	47	472439V	V	1.875	2.623	2.627	.312	47
472082	S	2.000	2.880	2.884	.375	47	472446	S	1.500	3.150	3.155	.500	47
*472082N	N	2.000	2.880	2.884	.375	47	472452	S	.843	1.374	1.378	.312	47
*472083	S	1.375	2.000	2.004	.300	47	472466	S	1.500	2.048	2.052	.375	47
*472129	S	.750	1.263	1.267	.250	47	472467	S	.500	1.378	1.382	.406	47
*472137	S	.625	2.047	2.051	.312	47	*472473	S	3.375	4.376	4.381	.375	47
472138	S	1.000	2.047	2.051	.312	47	*472473H	H	3.375	4.376	4.381	.375	47
*472138N	N	1.000	2.047	2.051	.312	47	472475	S	1.187	1.874	1.878	.250	47
472144	S	1.937	2.875	2.879	.312	47	472492	S	2.000	2.750	2.754	.312	47
*472146	S	.625	2.441	2.445	.375	47	472492V	V	2.000	2.750	2.754	.312	47
472150	S	2.312	3.125	3.130	.375	47	472492A	A	2.000	2.750	2.754	.312	47
*472150N	N	2.312	3.125	3.130	.375	47	*472492N	N	2.000	2.750	2.754	.312	47
*472150V	V	2.312	3.125	3.130	.375	47	*472523	S	1.125	1.874	1.878	.375	47
472157	S	4.250	5.251	5.256	.375	47	472535	S	1.125	2.533	2.537	.250	47
472164	S	1.750	2.502	2.506	.312	47	472536	S	1.250	2.877	2.881	.250	47
472164A	A	1.750	2.502	2.506	.312	47	472538	S	.750	2.127	2.131	.250	47
472164V	V	1.750	2.502	2.506	.312	47	472539	S	1.000	2.533	2.537	.250	47
472179	S	1.750	2.750	2.754	.312	47	472554	S	1.500	1.983	1.987	.437	47
472179V	V	1.750	2.750	2.754	.312	47	472560N	N	1.125	1.561	1.565	.250	47
472179A	A	1.750	2.750	2.754	.312	47	*472560V	V	1.125	1.561	1.565	.250	47
*472184★	S	25.00	52.00	52.10	7.90	47	472572	S	1.875	2.750	2.754	.312	47
		.984	2.047	2.051	.311		*472579	S	2.062	2.875	2.879	.375	47
472185	S	1.750	2.623	2.627	.312	47	*472591	S	1.500	2.328	2.332	.437	47
472185V	V	1.750	2.623	2.627	.312	47	472635	S	1.552	2.502	2.506	.500	47
472189A◀	S	1.500	2.377	2.381	.500	47	*472635N	N	1.552	2.502	2.506	.500	47
472193	S	1.750	2.561	2.566	.312	47	472636	S	2.250	3.251	3.256	.375	47
*472207	S	.625	1.624	1.628	.489	47	*472636V	V	2.250	3.251	3.256	.375	47
472213	S	1.562	2.250	2.254	.312	47	472642	S	1.375	2.047	2.051	.312	47
472222	S	1.531	2.374	2.379	.375	47	472642V	V	1.375	2.047	2.051	.312	47

For Illustration and Material Data See Technical Section

◀ Hydrodynamic Lip Design-CCW * Call 1-800-480-1212 For Price and Delivery ★ Metric Seal

Part No.	Lip Mat'l	Shaft Size	Hsg. Bore	Seal O.D.	Seal Width	Type/ Illus.	Part No.	Lip Mat'l	Shaft Size	Hsg. Bore	Seal O.D.	Seal Width	Type/ Illus.
470000 SERIES (cont.)							470000 SERIES (cont.)						
472644	S	1.125	2.047	2.051	.312	47	473213	S	1.312	2.374	2.378	.312	47
472644V	V	1.125	2.047	2.051	.312	47	473214	S	1.375	2.250	2.254	.312	47
472649	S	.750	2.047	2.051	.312	47	473214V	V	1.375	2.250	2.254	.312	47
*472650	S	.812	1.750	1.754	.312	47	473214A	A	1.375	2.250	2.254	.312	47
*472651	S	1.250	3.150	3.155	.375	47	473215	S	1.375	2.374	2.378	.312	47
472651V	V	1.250	3.150	3.155	.375	47	473224	S	1.437	2.125	2.129	.312	47
472653	S	2.000	2.835	2.839	.375	47	473225	S	1.437	2.374	2.378	.312	47
472653V	V	2.000	2.835	2.839	.375	47	473226	S	1.437	2.502	2.506	.312	47
472655	S	1.437	2.312	2.316	.375	47	473227	S	1.500	2.125	2.129	.312	47
472658	S	1.375	2.835	2.839	.375	47	*473227N	N	1.500	2.125	2.129	.312	47
*472658V	V	1.375	2.835	2.839	.375	47	473227V	V	1.500	2.125	2.129	.312	47
472660	S	1.656	2.937	2.941	.375	47	473228	S	1.500	2.502	2.506	.312	47
472674	S	1.125	1.983	1.987	.375	47	473228V	V	1.500	2.502	2.506	.312	47
472681	S	1.125	2.441	2.445	.375	47	*473228N	N	1.500	2.502	2.506	.312	47
472681V	V	1.125	2.441	2.445	.375	47	473229	S	1.562	2.502	2.506	.312	47
472705	S	.562	1.000	1.004	.250	47	473230	S	1.625	2.250	2.254	.312	47
472705V	V	.562	1.000	1.004	.250	47	473231	S	1.625	2.374	2.378	.312	47
472747	S	1.875	2.470	2.475	.437	47	473231V	V	1.625	2.374	2.378	.312	47
*472758	S	1.625	2.502	2.506	.250	47	473231A	A	1.625	2.374	2.378	.312	47
*472758N	N	1.625	2.502	2.506	.250	47	473232	S	1.625	2.623	2.627	.312	47
472758V	V	1.625	2.502	2.506	.250	47	473233	S	1.687	2.374	2.378	.312	47
472810	S	.437	.875	.880	.250	47	473234	S	1.687	2.502	2.506	.312	47
472826	S	1.312	2.062	2.066	.312	47	473235	S	1.687	2.623	2.627	.312	47
472843	S	1.375	2.623	2.627	.375	47	473236	S	1.687	2.750	2.754	.312	47
472856	S	2.375	3.350	3.355	.438	47	473237	S	1.750	2.374	2.378	.312	47
*472857H	H	2.000	2.625	2.630	.375	47	473237V	V	1.750	2.374	2.378	.312	47
472878	S	.735	1.248	1.252	.250	47	473238	S	1.875	2.875	2.879	.312	47
*472916	S	2.250	3.189	3.194	.375	47	473238V	V	1.875	2.875	2.879	.312	47
*472920	S	2.250	3.371	3.376	.375	47	473239	S	1.875	3.000	3.005	.312	47
472924	S	2.000	2.875	2.879	.312	47	473240	S	1.875	3.125	3.130	.312	47
472924V	V	2.000	2.875	2.879	.312	47	473241	S	1.937	2.750	2.754	.312	47
*472928	S	2.062	3.189	3.194	.375	47	473242	S	2.000	3.125	3.130	.312	47
*472940	S	2.187	3.189	3.194	.375	47	*473242V	V	2.000	3.125	3.130	.312	47
472950	S	.812	2.441	2.445	.375	47	473243	S	2.125	3.251	3.256	.375	47
472951	S	.937	1.750	1.754	.312	47	473244	S	2.187	2.875	2.879	.375	47
472953	S	1.062	2.835	2.839	.375	47	473245	S	2.187	3.251	3.256	.375	47
472953V	V	1.062	2.835	2.839	.375	47	*473246	S	2.375	3.251	3.256	.375	47
472954	S	1.125	2.835	2.839	.375	47	*473247	S	2.375	3.371	3.376	.375	47
472954V	V	1.125	2.835	2.839	.375	47	*473248	S	2.625	3.371	3.376	.375	47
473010	S	1.625	2.502	2.506	.312	47	473258	S	1.375	2.561	2.565	.375	47
473010V	V	1.625	2.502	2.506	.312	47	473259	S	1.125	2.441	2.445	.250	47
473010A	A	1.625	2.502	2.506	.312	47	*473259V	V	1.125	2.441	2.445	.250	47
473010N	N	1.625	2.502	2.506	.312	47	473274	S	2.500	3.428	3.433	.375	47
473016	S	1.437	2.250	2.254	.312	47	473274N	N	2.500	3.428	3.433	.375	47
*473016N	N	1.437	2.250	2.254	.312	47	*473285V	V	.875	1.750	1.754	.312	47
*473049V★	V	30.00	62.00	62.10	7.00	47	*473304	S	1.375	2.082	2.087	.312	47
		1.181	2.441	2.445	.276		473313	S	1.750	3.061	3.066	.375	47
*473056	S	1.552	2.623	2.627	.500	47	473317	S	1.687	2.328	2.332	.312	47
*473056N	N	1.552	2.623	2.627	.500	47	*473317N	N	1.687	2.328	2.332	.312	47
473096	S	.375	.875	.880	.250	47	473336	S	1.718	2.561	2.565	.500	47
473117	S	1.625	2.328	2.332	.437	47	473367	S	1.625	2.437	2.441	.312	47
*473117N	N	1.625	2.328	2.332	.437	47	473367V	V	1.625	2.437	2.441	.312	47
*473135	S	1.250	1.686	1.691	.250	47	*473378	S	1.062	1.874	1.878	.375	47
473135V	V	1.250	1.686	1.691	.250	47	473380	S	1.000	1.575	1.579	.250	47
473157	S	1.750	2.449	2.453	.312	47	473405	S	.593	1.250	1.254	.312	47
473179	S	1.875	2.758	2.762	.375	47	473406	S	.750	1.828	1.832	.375	47
*473196	S	.750	1.783	1.787	.250	47	473407	S	.750	1.983	1.987	.250	47
473197	S	1.375	2.835	2.839	.312	47	473412	S	.812	1.828	1.832	.375	47
*473197V	V	1.375	2.835	2.839	.312	47	473413	S	.843	1.499	1.503	.250	47
473203	S	1.187	1.752	1.756	.250	47	473414	S	.843	1.624	1.628	.250	47
473204	S	2.125	2.750	2.754	.375	47	473415	S	.843	1.828	1.832	.312	47
*473204N	N	2.125	2.750	2.754	.375	47	473416	S	.737	1.375	1.379	.343	47
473205	S	1.187	2.125	2.129	.250	47	473419	S	1.062	1.828	1.832	.375	47
473210	S	1.312	2.000	2.004	.312	47	473420	S	1.062	2.062	2.066	.375	47
*473210V	V	1.312	2.000	2.004	.312	47	473421	S	1.312	2.106	2.110	.375	47
473211	S	1.312	2.125	2.129	.312	47	473422	S	1.312	1.983	1.987	.375	47
473212	S	1.312	2.250	2.254	.312	47	473423	S	1.312	1.874	1.878	.375	47
473212A	A	1.312	2.250	2.254	.312	47	473424	S	1.281	2.000	2.004	.375	47

NUMERICAL SECTION

For Illustration and Material Data See Technical Section
 * Call 1-800-480-1212 For Price and Delivery ★ Metric Seal

Numerical List Size & Type

NATIONAL®



Part No.	Lip Mat'l	Shaft Size	Hsg. Bore	Seal O.D.	Seal Width	Type/ Illus.	Part No.	Lip Mat'l	Shaft Size	Hsg. Bore	Seal O.D.	Seal Width	Type/ Illus.
470000 SERIES (cont.)							470000 SERIES (cont.)						
473425	S	1.187	1.828	1.832	.375	47	*474090	S	1.437	2.061	2.066	.312	47
473426	S	1.187	1.983	1.987	.375	47	*474096★	S	51.00	65.00	65.10	7.00	47
473427	S	1.156	2.062	2.066	.375	47			2.008	2.559	2.563	.276	
473428	S	1.156	1.984	1.988	.250	47	*474097★	S	36.00	50.00	50.08	7.00	47
*473428V	V	1.156	1.984	1.988	.250	47			1.417	1.969	1.972	.276	
473435	S	1.343	2.106	2.110	.375	47	*474113★	S	36.00	55.00	55.09	6.50	47
473436	S	1.343	2.125	2.129	.375	47			1.417	2.165	2.169	.256	
473437	S	1.437	2.623	2.627	.375	47	*474119★	S	38.00	58.00	58.11	8.00	47
473438	S	1.468	2.375	2.379	.375	47			1.496	2.283	2.288	.315	
473439	S	1.468	2.437	2.441	.375	47	*474121★	S	36.00	55.00	55.12	9.50	47
									1.417	2.165	2.170	.374	
473440	S	1.500	2.750	2.754	.312	47	*474125N★	N	35.00	64.00	64.14	9.50	47
473441	S	1.562	2.750	2.754	.375	47			1.378	2.520	2.525	.374	
473442	S	1.562	2.875	2.879	.375	47	474127	S	1.417	2.250	2.254	.250	47
473443	S	1.625	2.750	2.754	.375	47	474131	S	.750	1.302	1.306	.250	47
473444	S	1.625	2.875	2.879	.375	47	474133★	S	40.00	74.00	74.12	10.00	47
473444V	V	1.625	2.875	2.879	.375	47			1.575	2.913	2.918	.394	
473445	S	1.687	2.437	2.441	.312	47	474134★	S	50.00	66.50	66.62	9.52	47
*473445V	V	1.687	2.437	2.441	.312	47			1.969	2.618	2.623	.375	
473446	S	1.687	2.875	2.879	.375	47	*474135N★	N	42.00	65.05	65.15	9.50	47
473447	S	1.750	2.758	2.762	.375	47			1.654	2.561	2.565	.374	
							*474137★	S	43.00	62.00	62.10	9.50	47
473448	S	1.750	2.996	3.001	.375	47			1.693	2.441	2.445	.374	
473449	S	1.812	2.750	2.754	.375	47	474161★	S	40.01	65.00	65.13	9.53	47
473450	S	1.812	2.875	2.879	.375	47			1.575	2.559	2.564	.375	
473450V	V	1.812	2.875	2.879	.375	47	*474198	S	2.375	3.350	3.355	.703	47
473451	S	1.843	2.623	2.627	.375	47	474216	S	1.625	2.562	2.565	.375	47
473452	S	1.843	2.750	2.754	.375	47	474230	S	2.875	3.540	3.548	.315	47
473453	S	1.843	2.875	2.879	.375	47	474235	S	.937	1.850	1.854	.312	47
473454	S	1.875	2.502	2.506	.312	47	474241V★➔	V	42.00	58.00	58.17	7.00	47
473455	S	1.875	2.835	2.839	.375	47			1.654	2.283	2.290	.276	
*473456	S	1.875	2.996	3.000	.375	47	*474247	S	1.625	2.750	2.754	.312	47
473457	S	1.875	3.061	3.066	.375	47	474250	S	1.000	1.686	1.690	.250	47
473458	S	1.875	3.189	3.194	.375	47	474252	S	.937	1.752	1.756	.250	47
473459	S	1.937	2.686	2.690	.312	47	474253	S	.812	1.499	1.503	.250	47
473460	S	1.937	2.996	3.001	.375	47	474254	S	1.187	2.437	2.441	.250	47
473461	S	1.937	3.061	3.066	.375	47	474255	S	1.187	2.250	2.254	.250	47
473462	S	1.937	3.189	3.194	.375	47	474256	S	1.187	2.441	2.445	.250	47
473463	S	2.000	3.062	3.066	.375	47	474260	S	1.156	1.686	1.690	.250	47
473464	S	2.000	3.189	3.194	.375	47	474261	S	.687	1.187	1.191	.187	47
473466	S	2.062	2.996	3.001	.375	47	474264	S	1.437	2.437	2.441	.312	47
473467	S	2.125	2.996	3.001	.375	47	474265	S	1.687	2.686	2.691	.312	47
473468	S	2.125	3.061	3.066	.375	47	474269	S	1.937	2.437	2.441	.250	47
*473469	S	2.125	3.350	3.355	.375	47	474272	S	2.000	2.716	2.721	.375	47
473471	S	2.187	3.062	3.066	.375	47	474273	S	.781	1.828	1.833	.250	47
473473	S	2.250	3.061	3.066	.375	47	474274	S	1.625	2.750	2.754	.312	47
473474	S	2.375	3.061	3.066	.375	47	474276	S	1.500	1.983	1.988	.250	47
473475	S	2.375	3.189	3.194	.375	47	474276V	V	1.500	1.983	1.988	.250	47
473476➔	N	2.500	3.150	3.155	.315	47	474277	S	.437	1.124	1.128	.250	47
473490	S	1.562	3.150	3.155	.312	47	474278	S	1.250	1.686	1.691	.250	47
473517	S	1.562	2.125	2.129	.375	47	474279N	N	.375	.836	.841	.187	47
473546	S	.551	1.000	1.004	.312	47	474281	S	1.500	2.758	2.763	.312	47
473551	S	1.250	2.047	2.051	.375	47	474288★	S	36.00	58.00	58.30	8.00	47
*473559	S	1.730	2.875	2.879	.468	47			1.417	2.283	2.295	.315	
473560N★➔	N	42.00	56.00	56.16	7.00	47	475001	S	2.500	3.543	3.548	.500	47
							*475001N	N	2.500	3.543	3.548	.500	47
*473571	S	.750	1.250	1.255	.275	47	*475002	S	2.562	3.623	3.628	.468	47
473573	S	2.375	3.000	3.005	.375	47	*475002N	N	2.562	3.623	3.628	.468	47
473677★	S	40.00	55.00	55.09	8.00	47	*475003	S	2.625	3.623	3.628	.468	47
							475003N	N	2.625	3.623	3.628	.468	47
473694	S	1.625	2.000	2.004	.250	47	*475004	S	2.750	3.751	3.756	.500	47
473796	S	1.750	2.565	2.570	.312	47	*475004H	H	2.750	3.751	3.756	.500	47
*473810V★	V	50.00	66.00	66.22	8.00	47	*475004N	N	2.750	3.751	3.756	.500	47
473812	S	1.312	2.166	2.170	.375	47	*475006	S	2.875	3.751	3.756	.500	47
473814	S	1.968	2.623	2.627	.312	47	*475006N	N	2.875	3.751	3.756	.500	47
473823★	S	35.00	55.00	55.18	8.00	47	*475007	S	2.625	3.876	3.881	.468	47
							*475009	S	2.750	3.876	3.881	.468	47
*474007	S	2.187	3.190	3.195	.625	47	475009N	N	2.750	3.876	3.881	.468	47
*474069	S	2.125	2.561	2.565	.492	47	*475011	S	2.875	4.003	4.008	.468	47

For Illustration and Material Data See Technical Section

➔ Hydrodynamic Lip Design-CW * Call 1-800-480-1212 For Price and Delivery ★ Metric Seal

Part No.	Lip Mat'l	Shaft Size	Hsg. Bore	Seal O.D.	Seal Width	Type/ Illus.	Part No.	Lip Mat'l	Shaft Size	Hsg. Bore	Seal O.D.	Seal Width	Type/ Illus.
470000 SERIES (cont.)							470000 SERIES (cont.)						
*475012	S	2.937	4.003	4.008	.468	47	*475156N	N	3.125	4.125	4.130	.562	47
475012N	N	2.937	4.003	4.008	.468	47	*475165	S	3.375	4.499	4.504	.468	47
*475013	S	3.000	4.003	4.008	.468	47	*475173	S	3.500	4.751	4.756	.625	47
*475013N	N	3.000	4.003	4.008	.468	47	*475175	S	3.625	4.751	4.756	.625	47
*475014	S	3.000	4.249	4.254	.625	47	*475177	S	3.750	4.751	4.756	.625	47
*475016	S	3.125	4.249	4.254	.625	47	*475179	S	3.875	4.751	4.756	.625	47
*475018	S	3.250	4.249	4.254	.625	47	*475192	S	4.000	5.251	5.256	.468	47
*475019	S	3.000	4.999	5.004	.468	47	*475192N	N	4.000	5.251	5.256	.468	47
*475021	S	3.125	4.999	5.004	.468	47	*475195	S	4.250	5.251	5.256	.468	47
*475023	S	3.250	4.999	5.004	.468	47	*475195N	N	4.250	5.251	5.256	.468	47
*475025	S	3.375	4.999	5.004	.468	47	*475196	S	4.250	5.375	5.381	.500	47
*475027	S	3.500	4.999	5.004	.468	47	*475198	S	4.375	5.501	5.506	.562	47
*475029	S	3.625	4.999	5.004	.468	47	*475200	S	4.500	5.501	5.506	.562	47
*475031	S	3.750	4.999	5.004	.468	47	*475201	S	4.000	5.999	6.007	.625	47
*475031V	V	3.750	4.999	5.004	.468	47	*475205	S	4.250	5.999	6.007	.625	47
*475033	S	3.875	4.999	5.004	.468	47	*475207	S	4.375	5.999	6.007	.625	47
*475035	S	4.000	4.999	5.004	.468	47	*475209	S	4.500	5.999	6.007	.625	47
*475035H	H	4.000	4.999	5.004	.468	47	*475211	S	4.625	5.999	6.007	.625	47
*475036	S	4.000	5.501	5.506	.562	47	*475213	S	4.750	5.999	6.007	.625	47
*475040	S	4.250	5.501	5.506	.562	47	*475234	S	2.250	3.623	3.628	.468	47
*475041	S	4.000	5.751	5.756	.562	47	475234N	N	2.250	3.623	3.628	.468	47
*475045	S	4.250	5.751	5.756	.562	47	*475245	S	3.125	4.751	4.756	.625	47
*475047	S	4.375	5.751	5.756	.562	47	*475245H	H	3.125	4.751	4.756	.625	47
*475049	S	4.500	5.751	5.756	.562	47	*475252V	V	4.000	5.122	5.131	.378	47
*475053	S	4.750	5.751	5.756	.562	47	*475254	S	2.250	4.003	4.008	.468	47
*475054	S	4.000	6.250	6.256	.562	47	*475259	S	2.250	3.751	3.756	.500	47
*475058	S	4.250	6.250	6.256	.562	47	*475262	S	3.500	5.501	5.506	.562	47
*475060	S	4.375	6.250	6.256	.562	47	*475265	S	3.250	4.751	4.756	.625	47
*475062	S	4.500	6.250	6.256	.562	47	*475271	S	5.000	5.999	6.007	.625	47
*475064	S	4.625	6.250	6.256	.562	47	*475272	S	2.750	4.003	4.008	.468	47
*475066	S	4.750	6.250	6.256	.562	47	*475272N	N	2.750	4.003	4.008	.468	47
*475068	S	4.875	6.250	6.256	.562	47	*475281	S	3.000	3.751	3.756	.500	47
*475070	S	5.000	6.250	6.256	.562	47	*475281N	N	3.000	3.751	3.756	.500	47
*475070N	N	5.000	6.250	6.256	.562	47	*475296	S	2.625	4.003	4.008	.468	47
*475072	S	6.000	7.501	7.508	.562	47	*475303	S	2.875	3.623	3.628	.375	47
*475079	S	2.500	3.751	3.756	.500	47	*475304	S	3.250	4.249	4.254	.500	47
475080N	N	2.125	3.623	3.628	.468	47	*475304V	V	3.250	4.249	4.254	.500	47
*475082	S	2.500	3.876	3.881	.468	47	*475315	S	2.750	3.623	3.628	.468	47
*475084	S	7.000	8.500	8.509	.750	47	*475319N	N	3.500	5.126	5.131	.625	47
*475085	S	3.312	4.499	4.504	.468	47	*475322	S	2.750	3.543	3.548	.500	47
*475086N	N	3.000	4.249	4.254	.468	47	475322N	N	2.750	3.543	3.548	.500	47
*475088	S	3.000	4.499	4.504	.468	47	*475328	S	3.250	5.251	5.256	.468	47
*475088N	N	3.000	4.499	4.504	.468	47	*475348N	N	2.937	4.249	4.254	.625	47
*475091	S	4.875	5.999	6.007	.625	47	*475350	S	2.187	3.623	3.628	.468	47
*475093	S	2.250	3.500	3.505	.500	47	*475354	S	3.125	4.003	4.008	.468	47
*475095	S	2.375	3.500	3.505	.500	47	*475354H	H	3.125	4.003	4.008	.468	47
475095N	N	2.375	3.500	3.505	.500	47	*475355	S	2.875	3.876	3.881	.468	47
*475096	S	2.437	3.500	3.505	.500	47	*475364	S	2.750	3.500	3.505	.500	47
*475098	S	2.562	3.500	3.505	.500	47	*475368	S	2.625	3.500	3.505	.500	47
*475137	S	3.250	4.499	4.504	.468	47	475368N	N	2.625	3.500	3.505	.500	47
*475137N	N	3.250	4.499	4.504	.468	47	*475369	S	2.500	3.623	3.628	.468	47
*475138	S	4.750	5.750	5.756	.500	47	*475369N	N	2.500	3.623	3.628	.468	47
*475138H	H	4.750	5.750	5.756	.500	47	*475371	S	4.625	5.751	5.756	.562	47
*475139N	N	2.750	4.626	4.631	.625	47	*475379	S	3.750	4.751	4.756	.500	47
*475144	S	2.875	4.499	4.504	.468	47	*475379N	N	3.750	4.751	4.756	.500	47
*475145	S	3.125	4.499	4.504	.468	47	*475380	S	2.375	3.623	3.628	.468	47
*475146	S	3.500	4.499	4.504	.468	47	475380N	N	2.375	3.623	3.628	.468	47
*475146N	N	3.500	4.499	4.504	.468	47	475384	S	2.812	4.003	4.008	.468	47
*475147	S	2.500	3.500	3.505	.500	47	*475389	S	3.625	4.499	4.504	.468	47
*475147N	N	2.500	3.500	3.505	.500	47	*475389N	N	3.625	4.499	4.504	.468	47
*475148	S	3.875	5.251	5.256	.468	47	*475394	S	3.125	5.251	5.256	.468	47
*475149	S	2.625	3.751	3.756	.500	47	*475396	S	3.500	5.751	5.756	.562	47
*475149N	N	2.625	3.751	3.756	.500	47	*475423	S	3.750	5.501	5.506	.562	47
*475150	S	3.750	5.251	5.256	.468	47	*475436	S	3.625	5.751	5.756	.562	47
*475152	S	2.875	4.125	4.130	.562	47	*475437	S	3.500	4.750	4.756	.500	47
*475154	S	3.000	4.125	4.130	.562	47	*475449	S	2.500	3.500	3.505	.375	47
*475156	S	3.125	4.125	4.130	.562	47	475458	S	2.625	3.623	3.628	.375	47
*475156H	H	3.125	4.125	4.130	.562	47	*475458V	V	2.625	3.623	3.628	.375	47

NUMERICAL SECTION

For Illustration and Material Data See Technical Section
 * Call 1-800-480-1212 For Price and Delivery

Numerical List Size & Type

NATIONAL®

Part No.	Lip Mat'l	Shaft Size	Hsg. Bore	Seal O.D.	Seal Width	Type/Illus.	Part No.	Lip Mat'l	Shaft Size	Hsg. Bore	Seal O.D.	Seal Width	Type/Illus.
470000 SERIES (cont.)							470000 SERIES (cont.)						
*475479	S	3.000	3.876	3.881	.468	47	*476281N	N	2.750	4.125	4.130	.562	47
*475479H	H	3.000	3.876	3.881	.468	47	*476282	S	2.750	4.249	4.254	.468	47
*475479N	N	3.000	3.876	3.881	.468	47	*476283	S	2.750	4.249	4.254	.500	47
*475483	S	2.625	3.500	3.505	.375	47	476283N	N	2.750	4.249	4.254	.500	47
475500	S	3.298	4.125	4.130	.562	47	*476286	S	2.875	4.249	4.254	.625	47
*475559	S	3.500	5.251	5.256	.468	47	*476288	S	3.125	4.249	4.254	.500	47
*475563	S	3.250	4.003	4.008	.468	47	*476294	S	3.375	4.249	4.254	.500	47
*475566	S	3.250	4.125	4.130	.562	47	*476297	S	3.125	4.626	4.631	.437	47
*475568	S	3.125	3.876	3.881	.468	47	*476303	S	3.250	4.626	4.631	.437	47
*475613	S	3.375	4.249	4.254	.625	47	*476319	S	3.375	4.626	4.631	.437	47
*475636	S	2.187	3.500	3.505	.500	47	*476323	S	3.375	4.751	4.756	.625	47
*475638	S	5.500	6.750	6.757	.500	47	*476327	S	3.375	5.251	5.256	.468	47
*475645	S	5.250	6.500	6.507	.562	47	*476328	S	3.500	4.626	4.631	.437	47
*475655	S	2.500	4.003	4.008	.468	47	*476332	S	3.625	4.626	4.631	.437	47
*475659	S	2.125	3.500	3.505	.500	47	*476332H	H	3.625	4.626	4.631	.437	47
*475697	S	3.875	5.125	5.131	.500	47	*476332N	N	3.625	4.626	4.631	.437	47
*475725	S	5.000	5.999	6.007	.500	47	*476335	S	3.625	5.251	5.256	.468	47
*475725N	N	5.000	5.999	6.007	.500	47	*476336	S	3.750	4.626	4.631	.437	47
*475733	S	2.750	3.751	3.756	.437	47	*476339	S	3.750	4.999	5.004	.500	47
*475836	S	3.000	4.003	4.008	.437	47	*476341	S	3.875	4.626	4.631	.437	47
*475836V	V	3.000	4.003	4.008	.437	47	*476345	S	3.875	4.999	5.004	.500	47
475845	S	4.000	4.999	5.004	.375	47	*476365	S	3.437	4.501	4.506	.468	47
*475852	S	3.750	5.751	5.756	.562	47	*476370	S	3.000	4.751	4.756	.625	47
*475894	S	3.375	4.376	4.381	.500	47	*476380	S	4.375	5.500	5.506	.500	47
*475937	S	3.625	4.751	4.756	.500	47	*476389	S	3.625	5.501	5.506	.562	47
*475937H	H	3.625	4.751	4.756	.500	47	*476404	S	3.125	4.003	4.008	.375	47
*475953	S	4.000	4.999	5.004	.500	47	*476404N	N	3.125	4.003	4.008	.375	47
*475953H	H	4.000	4.999	5.004	.500	47	*476414	S	3.500	4.500	4.506	.500	47
*475960	S	2.750	3.876	3.881	.375	47	476424N	N	3.500	4.751	4.756	.375	47
*475984	S	2.750	3.623	3.628	.375	47	476470	S	3.250	4.249	4.254	.375	47
*475984N	N	2.750	3.623	3.628	.375	47	476470V	V	3.250	4.247	4.254	.375	47
*475991N	N	3.500	4.501	4.506	.468	47	*476470N	N	3.250	4.249	4.254	.375	47
*475995	S	3.000	4.003	4.008	.375	47	*476500	S	2.937	3.937	3.942	.500	47
*475995V	V	3.000	4.003	4.008	.375	47	476500N	N	2.937	3.937	3.942	.500	47
*475996H	H	3.375	4.280	4.285	.406	47	476509	S	1.937	3.623	3.628	.468	47
*476011	S	3.125	4.125	4.130	.500	47	476510	S	1.562	3.543	3.548	.375	47
*476011H	H	3.125	4.125	4.130	.500	47	476511	S	2.187	5.118	5.124	.375	47
*476011V	V	3.125	4.125	4.130	.500	47	476512★	S	50,00	110,00	110,13	9,50	47
476023N	N	3.000	3.751	3.756	.375	47			1.969	4.331	4.336	.374	
*476023V	V	3.000	3.751	3.756	.375	47	*476513	S	2.162	3.543	3.548	.375	47
476028	S	3.375	4.249	4.254	.468	47	476514	S	2.556	3.937	3.942	.375	47
*476028N	N	3.375	4.249	4.254	.468	47	*476515	S	2.950	4.527	4.533	.375	47
*476041	S	3.750	4.626	4.632	.500	47	*476516★	S	85,00	130,00	130,15	12,70	47
*476043	S	3.875	5.751	5.756	.562	47			3.346	5.118	5.124	.500	
*476047	S	3.625	4.625	4.631	.500	47	476517	S	3.934	5.905	5.911	.500	47
*476098N	N	3.875	4.686	4.691	.375	47	476518★	S	110,00	170,00	170,18	12,70	47
*476107	S	5.500	6.750	6.757	.575	47			4.331	6.693	6.700	.500	
*476122H	H	4.750	5.999	6.006	.562	47	*476519	S	5.062	7.874	7.881	.500	47
*476124	S	3.687	4.626	4.631	.625	47	476535	S	2.125	3.149	3.154	.375	47
*476125	S	3.625	4.999	5.004	.500	47	*476535N	N	2.125	3.149	3.154	.375	47
*476128	S	3.875	5.501	5.506	.562	47	*476556	S	4.250	5.250	5.256	.500	47
*476130	S	4.000	5.375	5.381	.500	47	476574N	N	2.750	3.937	3.942	.500	47
*476135	S	4.250	5.625	5.631	.500	47	*476591N	N	3.562	4.626	4.631	.562	47
*476149N	N	4.375	5.999	6.007	.500	47	*476621H	H	4.875	6.000	6.006	.562	47
*476153	S	4.500	5.625	5.631	.500	47	*476624	S	3.500	4.376	4.381	.500	47
*476154	S	4.500	5.999	6.007	.500	47	*476624V	V	3.500	4.376	4.381	.500	47
*476158	S	4.625	5.999	6.007	.500	47	*476654N	N	2.937	4.003	4.008	.375	47
*476163	S	4.812	5.999	6.007	.500	47	*476664	S	2.750	3.500	3.505	.375	47
*476173	S	5.125	6.250	6.256	.562	47	*476666	S	5.750	7.001	7.008	.562	47
*476173V	V	5.125	6.250	6.256	.562	47	*476677★	S	40,00	55,00	55,09	8,00	47
*476262	S	11.000	12.500	12.514	1.250	47			1.575	2.165	2.169	.315	
*476262N	N	11.000	12.500	12.514	1.250	47	*476706N	N	2.750	4.003	4.008	.375	47
*476267	S	2.125	3.500	3.505	.375	47	*476801H	H	5.000	6.003	6.009	.500	47
*476268	S	2.187	3.500	3.505	.375	47	*476808	S	2.125	3.937	3.942	.375	47
*476271	S	2.375	3.500	3.505	.375	47	*476816	S	4.000	6.375	6.382	.500	47
*476272	S	2.437	3.623	3.628	.468	47	476820	S	1.750	3.937	3.942	.312	47
*476273	S	2.500	3.623	3.628	.375	47	476838	S	1.125	1.828	1.832	.312	47
476281	S	2.750	4.125	4.130	.562	47	476842	S	5.500	6.250	6.257	.500	47

For Illustration and Material Data See Technical Section
 * Call 1-800-480-1212 For Price and Delivery ★ Metric Seal

Part No.	Lip Mat'l	Shaft Size	Hsg. Bore	Seal O.D.	Seal Width	Type/ Illus.	Part No.	Lip Mat'l	Shaft Size	Hsg. Bore	Seal O.D.	Seal Width	Type/ Illus.
470000 SERIES (cont.)							480000 SERIES (cont.)						
*476865	S	5.000	6.250	6.256	.500	47	*480014	S	.500	1.250	1.254	.375	48
*476871	S	6.750	7.657	7.750	.500	47	*480016	S	.562	1.250	1.254	.375	48
*476878	S	1.625	3.937	3.942	.375	47	*480016N	N	.562	1.250	1.254	.375	48
*476888	S	4.500	5.500	5.506	.500	47	*480018	S	.625	1.250	1.254	.375	48
*476888V	V	4.500	5.500	5.506	.500	47	*480019	S	.500	1.375	1.379	.406	48
*476891	S	4.250	5.500	5.506	.500	47	*480021	S	.562	1.375	1.379	.406	48
*476892	S	4.500	5.750	5.756	.500	47	*480023	S	.625	1.375	1.379	.406	48
*476921	S	2.875	4.003	4.008	.375	47	*480025	S	.687	1.375	1.379	.406	48
*476985	S	3.875	4.750	4.756	.375	47	*480027	S	.750	1.375	1.379	.406	48
477055	S	3.330	4.125	4.130	.562	47	*480027H	H	.750	1.375	1.379	.406	48
477069	S	2.598	4.000	4.005	.500	47	*480028	S	.750	1.499	1.503	.390	48
*477104	S	1.625	3.543	3.548	.375	47	*480030	S	.812	1.499	1.503	.390	48
477105	S	1.875	4.331	4.336	.500	47	*480032	S	.875	1.499	1.503	.390	48
*477123	S	4.000	6.312	6.318	.500	47	*480033	S	.750	1.828	1.832	.437	48
*477158	S	2.875	3.876	3.881	.375	47	*480035	S	.812	1.828	1.832	.437	48
*477158V	V	2.875	3.876	3.881	.375	47	*480037	S	.875	1.828	1.832	.437	48
477163N	N	3.000	4.501	4.506	.468	47	*480039	S	.937	1.828	1.832	.437	48
*477171	S	3.125	4.375	4.381	.500	47	*480040	S	.968	1.828	1.832	.437	48
*477172	S	3.125	4.500	4.506	.500	47	*480041	S	1.000	1.828	1.832	.437	48
*477181	S	3.250	4.376	4.381	.500	47	*480043	S	1.062	1.828	1.832	.437	48
*477191	S	3.375	4.500	4.506	.500	47	*480045	S	1.125	1.828	1.832	.437	48
*477196	S	3.500	4.625	4.631	.500	47	*480047	S	1.187	1.983	1.987	.437	48
*477205	S	3.750	4.875	4.881	.500	47	*480049	S	1.250	1.983	1.987	.437	48
*477211	S	3.875	4.875	4.881	.500	47	*480052	S	1.187	2.062	2.066	.437	48
*477247	S	4.750	6.001	6.007	.500	47	*480053	S	1.312	2.374	2.378	.500	48
*477254	S	5.500	6.500	6.507	.562	47	480055	S	1.375	2.374	2.378	.500	48
*477262	S	5.250	6.250	6.256	.500	47	*480057	S	1.437	2.374	2.378	.500	48
*477278	S	5.000	6.375	6.381	.500	47	*480058	S	1.468	2.374	2.378	.500	48
*477316	S	2.750	3.751	3.756	.375	47	*480058N	N	1.468	2.374	2.378	.500	48
*477316H	H	2.750	3.751	3.756	.375	47	*480059	S	1.500	2.374	2.378	.500	48
*477340	S	1.500	3.543	3.548	.375	47	*480059N	N	1.500	2.374	2.378	.500	48
*477343	S	2.625	3.751	3.756	.375	47	*480061	S	1.375	2.437	2.441	.468	48
*477344	S	2.875	3.751	3.756	.375	47	*480061N	N	1.375	2.437	2.441	.468	48
*477344V	V	2.875	3.751	3.756	.375	47	*480062	S	1.437	2.437	2.441	.468	48
*477349	S	3.000	3.751	3.756	.437	47	*480063	S	1.500	2.437	2.441	.468	48
*477350	S	3.000	3.876	3.881	.437	47	*480064	S	1.562	2.437	2.441	.468	48
*477351	S	3.000	4.125	4.130	.437	47	*480066	S	1.625	2.437	2.441	.468	48
*477352	S	3.250	4.500	4.506	.500	47	*480067	S	1.500	2.502	2.506	.500	48
*477353	S	3.250	4.626	4.632	.500	47	*480069	S	1.625	2.623	2.627	.500	48
*477354	S	3.375	4.626	4.632	.500	47	*480070	S	1.750	2.623	2.627	.500	48
*477355	S	3.625	4.875	4.881	.500	47	*480070N	N	1.750	2.623	2.627	.500	48
*477356	S	4.000	5.125	5.131	.500	47	*480071	S	1.875	2.623	2.627	.500	48
*477357	S	4.000	5.250	5.256	.500	47	*480071V	V	1.875	2.623	2.627	.500	48
*477358	S	5.250	6.375	6.381	.500	47	*480072	S	1.625	2.686	2.690	.500	48
*477359	S	5.250	6.625	6.632	.562	47	*480073	S	1.656	2.686	2.690	.500	48
*477360	S	5.500	6.625	6.632	.562	47	*480074	S	1.687	2.686	2.690	.500	48
*477361	S	5.500	6.875	6.882	.562	47	*480076	S	1.750	2.686	2.690	.500	48
*477362	S	5.750	6.750	6.757	.575	47	*480076N	N	1.750	2.686	2.690	.500	48
*477363	S	5.750	6.875	6.882	.562	47	*480077	S	1.500	2.758	2.762	.500	48
*477364	S	5.750	7.125	7.132	.562	47	*480078	S	1.625	2.875	2.879	.468	48
*477365	S	6.000	7.125	7.132	.562	47	*480080	S	1.687	2.875	2.879	.468	48
*477366	S	3.875	5.250	5.256	.500	47	*480082	S	1.875	2.875	2.879	.468	48
*477410	S	1.961	3.543	3.548	.375	47	*480083	S	2.000	2.875	2.879	.468	48
*477437	S	3.500	4.500	4.506	.375	47	*480084	S	1.875	2.996	3.001	.500	48
*477439	S	4.500	5.501	5.507	.380	47	*480085	S	2.000	2.996	3.001	.500	48
*477586V	V	2.625	4.376	4.381	.500	47	*480086	S	1.687	3.062	3.066	.500	48
*477599	S	3.500	4.376	4.381	.375	47	*480087	S	1.750	3.061	3.066	.500	48
*477609	S	1.875	3.500	3.505	.500	47	*480088	S	1.750	3.189	3.194	.437	48
*477673V	V	1.968	4.003	4.008	.437	47	*480089	S	1.781	3.189	3.194	.437	48
*477674V★	V	54.99	101.68	101.80	11.10	47	*480090	S	1.812	3.189	3.194	.437	48
		2.165	4.003	4.008	.437								
*477936H★	H	70.00	92.00	92.15	11.90	47	*480092	S	1.875	3.189	3.194	.437	48
		2.756	3.622	3.628	.469		*480094	S	1.937	3.189	3.194	.437	48
							*480095	S	2.000	3.189	3.194	.437	48
							*480096	S	2.062	3.189	3.194	.437	48
							*480097	S	2.125	3.350	3.355	.468	48
							*480098	S	2.187	3.350	3.355	.468	48
							*480099	S	2.250	3.350	3.355	.468	48
							*480101	S	2.375	3.350	3.355	.468	48

NUMERICAL SECTION

For Illustration and Material Data See Technical Section
 * Call 1-800-480-1212 For Price and Delivery ★ Metric Seal

Numerical List Size & Type

NATIONAL®



Part No.	Lip Mat'l	Shaft Size	Hsg. Bore	Seal O.D.	Seal Width	Type/Illus.	Part No.	Lip Mat'l	Shaft Size	Hsg. Bore	Seal O.D.	Seal Width	Type/Illus.
480000 SERIES (cont.)							480000 SERIES (cont.)						
*480101H	H	2.375	3.350	3.355	.468	48	*480222	S	.750	1.752	1.756	.437	48
*480101N	N	2.375	3.350	3.355	.468	48	*480224	S	.812	1.752	1.756	.437	48
*480102	S	2.000	3.371	3.376	.468	48	*480226	S	.875	1.752	1.756	.437	48
*480109	S	1.562	2.750	2.754	.500	48	*480228	S	.937	1.752	1.756	.437	48
*480115	S	2.125	2.996	3.001	.500	48	*480230	S	1.000	1.752	1.756	.437	48
*480116	S	1.812	2.875	2.879	.468	48	*480232	S	1.062	1.752	1.756	.437	48
*480117	S	1.875	2.750	2.754	.500	48	*480233	S	1.000	1.874	1.878	.437	48
*480118	S	1.812	2.750	2.754	.500	48	*480235H	H	1.093	1.874	1.878	.437	48
*480119	S	.500	.999	1.003	.375	48	*480235V	V	1.093	1.874	1.878	.437	48
*480120	S	1.000	1.499	1.503	.390	48	*480236	S	1.125	1.874	1.878	.437	48
*480121	S	2.125	3.189	3.194	.437	48	*480241	S	1.125	2.062	2.066	.437	48
*480122	S	1.437	2.623	2.627	.500	48	*480244	S	1.250	2.062	2.066	.437	48
*480127	S	1.062	1.874	1.878	.437	48	*480245	S	1.250	2.125	2.129	.437	48
*480127N	N	1.062	1.874	1.878	.437	48	*480247	S	1.312	2.125	2.129	.437	48
*480129	S	1.312	2.062	2.066	.437	48	*480248	S	1.343	2.125	2.129	.437	48
*480132	S	2.250	3.371	3.376	.468	48	*480261	S	2.062	2.996	3.001	.500	48
*480132N	N	2.250	3.371	3.376	.468	48	*480262	S	1.562	2.623	2.627	.500	48
*480135	S	1.375	2.125	2.129	.437	48	*480265	S	1.687	2.623	2.627	.500	48
*480136	S	1.500	2.250	2.254	.500	48	*480267	S	1.812	2.623	2.627	.500	48
*480137	S	.687	1.124	1.128	.375	48	*480267N	N	1.812	2.623	2.627	.500	48
*480138	S	1.937	2.686	2.690	.500	48	*480268	S	1.843	2.623	2.627	.500	48
*480138H	H	1.937	2.686	2.690	.500	48	*480268N	N	1.843	2.623	2.627	.500	48
*480139	S	2.187	2.996	3.001	.500	48	*480269	S	1.781	2.686	2.690	.500	48
*480140N	N	1.250	1.752	1.756	.437	48	*480270	S	1.812	2.686	2.690	.500	48
*480141	S	.750	1.250	1.254	.375	48	*480272	S	1.875	2.686	2.690	.500	48
*480141H	H	.750	1.250	1.254	.375	48	*480273	S	1.562	2.758	2.762	.500	48
*480143	S	1.562	2.561	2.565	.500	48	*480273N	N	1.562	2.758	2.762	.500	48
*480144	S	1.437	2.502	2.506	.500	48	*480275	S	1.625	2.758	2.762	.500	48
*480144V	V	1.437	2.502	2.506	.500	48	480281	S	1.812	2.758	2.762	.500	48
*480145	S	1.937	2.996	3.001	.500	48	*480283	S	1.875	2.758	2.762	.500	48
*480152	S	1.187	2.125	2.129	.437	48	*480283H	H	1.875	2.758	2.762	.500	48
*480154	S	1.687	2.502	2.506	.500	48	*480286	S	1.625	2.750	2.754	.500	48
*480155	S	1.750	2.758	2.762	.500	48	*480291	S	1.750	2.875	2.879	.468	48
*480157	S	1.000	2.000	2.004	.437	48	*480295	S	1.937	2.875	2.879	.468	48
*480158	S	1.062	2.000	2.004	.437	48	*480298	S	1.875	3.000	3.005	.500	48
*480160	S	1.125	2.000	2.004	.437	48	*480300	S	1.937	3.000	3.005	.500	48
*480161	S	1.156	2.000	2.004	.437	48	*480301	S	2.000	3.000	3.005	.500	48
*480162	S	1.187	2.000	2.004	.437	48	*480301H	H	2.000	3.000	3.005	.500	48
*480163	S	1.250	2.000	2.004	.437	48	*480302	S	2.062	3.000	3.005	.500	48
*480165	S	1.250	2.250	2.254	.500	48	*480303	S	2.125	3.000	3.005	.500	48
*480167	S	1.312	2.250	2.254	.500	48	*480303V	V	2.125	3.000	3.005	.500	48
*480169	S	1.375	2.250	2.254	.500	48	*480304	S	1.875	3.061	3.066	.500	48
*480171	S	1.437	2.250	2.254	.500	48	*480306	S	1.937	3.061	3.066	.500	48
*480182	S	1.125	1.983	1.987	.437	48	*480307	S	2.062	3.061	3.066	.500	48
*480183	S	1.750	2.750	2.754	.500	48	*480308	S	2.125	3.061	3.066	.500	48
*480183H	H	1.750	2.750	2.754	.500	48	*480309	S	1.937	3.125	3.130	.500	48
*480184	S	.937	1.499	1.503	.390	48	*480310	S	2.000	3.125	3.130	.500	48
*480185	S	1.562	2.502	2.506	.500	48	*480311	S	2.062	3.125	3.130	.500	48
*480186	S	1.687	2.750	2.754	.500	48	*480312	S	2.125	3.125	3.130	.500	48
*480187	S	1.000	2.062	2.066	.437	48	*480312N	N	2.125	3.125	3.130	.500	48
*480188	S	1.062	1.561	1.565	.375	48	*480313	S	2.062	3.251	3.256	.500	48
*480189	S	1.125	1.752	1.756	.437	48	*480314	S	2.125	3.251	3.256	.500	48
*480189H	H	1.125	1.752	1.756	.437	48	*480315	S	2.187	3.251	3.256	.500	48
*480190	S	1.500	2.561	2.565	.500	48	*480316	S	2.250	3.251	3.256	.500	48
*480193	S	1.812	2.996	3.001	.500	48	*480316N	S	2.250	3.251	3.256	.500	48
*480194	S	1.625	2.502	2.506	.500	48	*480320	S	2.375	3.189	3.194	.437	48
*480202	S	.562	.999	1.003	.375	48	*480326	S	1.500	2.996	3.001	.500	48
*480204	S	.812	1.375	1.379	.406	48	*480328	S	1.187	1.686	1.690	.375	48
*480205	S	.687	1.499	1.503	.390	48	*480329	S	2.625	3.350	3.356	.468	48
*480208	S	.968	1.499	1.503	.390	48	*480329N	N	2.625	3.350	3.356	.468	48
480210	S	1.062	1.499	1.503	.312	48	*480330	S	2.500	3.371	3.376	.468	48
*480210H	H	1.062	1.499	1.503	.312	48	*480331N	N	1.843	2.750	2.754	.500	48
*480211	S	.750	1.624	1.628	.437	48	*480336	S	1.187	2.250	2.254	.500	48
*480213	S	.812	1.624	1.628	.437	48	*480340	S	.750	1.561	1.565	.375	48
*480215	S	.875	1.624	1.628	.437	48	*480342	S	1.062	1.983	1.987	.437	48
*480217	S	.937	1.624	1.628	.437	48	*480343	S	2.062	3.371	3.376	.468	48
*480219	S	1.000	1.624	1.628	.437	48	*480344	S	1.187	1.828	1.832	.437	48
*480221	S	1.062	1.624	1.628	.437	48	*480350	S	2.375	3.371	3.376	.468	48

For Illustration and Material Data See Technical Section
 * Call 1-800-480-1212 For Price and Delivery

Part No.	Lip Mat'l	Shaft Size	Hsg. Bore	Seal O.D.	Seal Width	Type/ Illus.	Part No.	Lip Mat'l	Shaft Size	Hsg. Bore	Seal O.D.	Seal Width	Type/ Illus.
480000 SERIES (cont.)							480000 SERIES (cont.)						
*480351	S	1.750	2.437	2.441	.468	48	*480522	S	1.375	2.000	2.004	.437	48
*480351H	H	1.750	2.437	2.441	.468	48	*480523	S	1.500	2.875	2.879	.468	48
*480352	S	1.750	2.502	2.506	.500	48	*480524	S	1.875	3.371	3.376	.468	48
*480354	S	2.187	3.189	3.194	.437	48	*480535	S	.625	1.246	1.250	.375	48
*480355	S	.687	1.250	1.254	.375	48	*480536	S	.562	1.246	1.250	.375	48
480356	S	1.250	1.686	1.690	.375	48	*480539	S	1.625	3.000	3.005	.500	48
*480356V	V	1.250	1.686	1.690	.375	48	*480541	S	1.000	1.752	1.756	.375	48
*480358	S	1.625	2.374	2.378	.500	48	*480550	S	1.937	2.562	2.567	.317	48
*480359	S	1.750	2.996	3.001	.500	48	*480552	S	2.375	3.125	3.130	.500	48
*480360	S	2.000	2.686	2.690	.500	48	*480553	S	1.000	1.499	1.503	.312	48
*480361	S	1.750	2.561	2.565	.500	48	*480553H	H	1.000	1.499	1.503	.312	48
*480363	S	1.687	2.502	2.506	.375	48	*480559	S	1.250	2.374	2.378	.500	48
*480365	S	2.125	2.875	2.879	.468	48	*480561	S	1.312	2.000	2.004	.375	48
*480373	S	2.062	2.875	2.879	.468	48	*480565	S	2.375	3.125	3.130	.375	48
*480375	S	1.763	2.412	2.416	.468	48	*480567	S	.875	1.375	1.379	.312	48
*480380	S	1.500	2.374	2.378	.312	48	*480567N	N	.875	1.375	1.379	.312	48
*480381	S	1.125	1.624	1.628	.437	48	480570	S	1.375	2.000	2.004	.328	48
*480389	S	2.000	2.750	2.754	.500	48	*480571	S	2.000	3.251	3.256	.500	48
*480390	S	.750	1.874	1.878	.250	48	*480574	S	2.375	3.251	3.256	.500	48
*480394	S	1.500	2.125	2.129	.437	48	480574H	H	2.375	3.252	3.256	.500	48
*480403	S	1.375	2.062	2.066	.437	48	480581	S	1.594	2.125	2.129	.250	48
*480403H	H	1.375	2.062	2.066	.437	48	*480590	S	.875	1.752	1.756	.250	48
*480403N	N	1.375	2.062	2.066	.437	48	*480591	S	.812	1.874	1.878	.437	48
*480403V	V	1.375	2.062	2.066	.437	48	*480596	S	1.687	2.835	2.839	.468	48
*480410	S	2.000	2.623	2.627	.500	48	*480601	S	.781	1.250	1.254	.250	48
*480410N	N	2.000	2.623	2.627	.500	48	*480604	S	1.125	2.250	2.254	.500	48
*480415	S	1.625	2.996	3.001	.500	48	*480605	S	2.500	3.371	3.376	.375	48
*480418	S	1.562	2.875	2.879	.468	48	*480610	S	.750	1.874	1.878	.437	48
*480424	S	.875	1.874	1.878	.437	48	*480625	S	1.500	2.250	2.254	.312	48
*480424N	N	.875	1.874	1.878	.437	48	480625V	V	1.500	2.250	2.254	.312	48
*480433	S	2.250	3.125	3.130	.500	48	*480626	S	2.625	3.371	3.376	.468	48
*480436	S	2.000	2.750	2.754	.375	48	*480628	S	1.062	2.062	2.066	.437	48
*480438	S	1.562	2.374	2.378	.500	48	480630	S	1.500	2.062	2.066	.250	48
*480438N	N	1.562	2.374	2.378	.500	48	*480639	S	2.125	2.835	2.839	.468	48
*480441	S	2.250	2.996	3.001	.500	48	*480652	S	1.250	2.000	2.004	.375	48
*480444	S	1.375	2.502	2.506	.500	48	*480673	S	.812	1.375	1.379	.250	48
*480449	S	1.000	1.561	1.565	.375	48	*480680	S	.875	1.499	1.503	.312	48
*480449N	N	1.000	1.561	1.566	.375	48	*480681	S	2.187	3.125	3.130	.500	48
*480451	S	1.500	2.062	2.066	.437	48	*480682	S	1.562	2.623	2.627	.312	48
*480452	S	1.375	2.835	2.839	.468	48	*480683	S	1.250	1.874	1.878	.375	48
*480452H	H	1.375	2.835	2.839	.468	48	*480687	S	1.687	3.125	3.130	.500	48
*480452N	N	1.375	2.835	2.839	.468	48	*480712	S	1.125	1.874	1.878	.250	48
*480453	S	1.437	2.125	2.129	.437	48	*480719	S	1.750	3.000	3.005	.500	48
*480453N	N	1.437	2.125	2.129	.437	48	*480720	S	1.875	3.125	3.130	.500	48
*480455	S	1.937	2.623	2.627	.500	48	*480737	S	2.250	3.189	3.194	.437	48
*480461	S	1.500	2.750	2.754	.500	48	*480746	S	1.437	2.686	2.690	.500	48
*480463	S	1.375	2.750	2.754	.500	48	*480751	S	1.562	2.686	2.690	.500	48
*480479	S	1.687	2.437	2.441	.468	48	*480755	S	1.625	2.250	2.254	.500	48
480479H	H	1.687	2.437	2.441	.468	48	*480774	S	1.375	2.062	2.066	.375	48
*480479V	V	1.687	2.437	2.441	.468	48	*480776	S	1.375	2.686	2.690	.500	48
*480481	S	1.250	2.437	2.441	.468	48	*480791	S	.625	1.124	1.128	.312	48
*480482	S	1.156	1.828	1.832	.437	48	*480806	S	1.250	2.835	2.839	.468	48
*480487	S	1.500	2.686	2.690	.500	48	*480808	S	1.437	2.750	2.754	.500	48
*480489	S	2.187	2.875	2.879	.468	48	*480814	S	1.500	2.441	2.445	.500	48
480491	S	2.750	3.481	3.486	.500	48	480821	S	.750	1.312	1.316	.250	48
*480494	S	1.750	2.502	2.506	.375	48	*480823	S	1.875	2.502	2.506	.500	48
*480494N	N	1.750	2.502	2.506	.375	48	480844	S	1.500	2.222	2.226	.312	48
*480496	S	2.500	3.350	3.355	.468	48	*480867	S	2.125	2.875	2.879	.437	48
*480496N	N	2.500	3.350	3.355	.468	48	*480867N	N	2.125	2.875	2.879	.437	48
*480502	S	1.156	1.686	1.690	.375	48	480889	S	.812	1.312	1.316	.250	48
*480503	S	1.312	2.437	2.441	.468	48	*480889H	H	.812	1.312	1.316	.250	48
*480504	S	1.375	2.623	2.627	.500	48	*480895	S	.750	1.375	1.379	.312	48
*480515	S	.812	1.561	1.565	.375	48	*480898	S	2.125	2.875	2.879	.375	48
*480519	S	2.500	3.251	3.256	.500	48	*480898H	H	2.125	2.875	2.879	.375	48
*480519N	N	2.500	3.251	3.256	.500	48	*480906	S	1.156	1.983	1.987	.375	48
*480519V	V	2.500	3.251	3.256	.500	48	*480929	S	1.750	2.374	2.378	.500	48
*480520	S	2.250	3.000	3.005	.500	48	*480950	S	1.375	2.437	2.441	.375	48
*480521	S	1.312	1.874	1.878	.437	48	*480950N	N	1.375	2.437	2.441	.375	48

NUMERICAL SECTION

For Illustration and Material Data See Technical Section
 * Call 1-800-480-1212 For Price and Delivery

Numerical List Size & Type

NATIONAL®

Part No.	Lip Mat'l	Shaft Size	Hsg. Bore	Seal O.D.	Seal Width	Type/ Illus.	Part No.	Lip Mat'l	Shaft Size	Hsg. Bore	Seal O.D.	Seal Width	Type/ Illus.
480000 SERIES (cont.)							480000 SERIES (cont.)						
480954	S	.750	1.250	1.254	.250	48	*481264	S	.625	1.250	1.254	.250	48
*480954N	N	.750	1.250	1.254	.250	48	*481267	S	.875	1.375	1.379	.250	48
480954V	V	.750	1.250	1.254	.250	48	*481267H	H	.875	1.375	1.379	.250	48
*480963	S	1.562	2.437	2.441	.500	48	*481267N	N	.875	1.375	1.379	.250	48
*480972	S	2.125	3.371	3.376	.468	48	*481268	S	1.375	2.000	2.004	.375	48
*480975	S	.625	1.499	1.503	.390	48	*481268V	V	1.375	2.000	2.004	.375	48
*480988	S	2.375	3.061	3.066	.500	48	*481271	S	2.500	3.251	3.256	.375	48
480988H	H	2.375	3.061	3.066	.500	48	*481272	S	2.250	3.000	3.005	.375	48
480991	S	1.500	2.062	2.066	.375	48	*481272N	N	2.250	3.000	3.005	.375	48
*481000	S	1.375	2.250	2.254	.375	48	*481276	S	1.375	2.441	2.445	.375	48
*481016	S	1.562	2.125	2.129	.437	48	*481279	S	1.562	2.252	2.256	.375	48
*481016N	N	1.562	2.125	2.129	.437	48	*481279N	N	1.562	2.252	2.256	.375	48
*481019	S	1.750	2.623	2.627	.375	48	*481281	S	.562	1.124	1.128	.250	48
*481024	S	.625	1.624	1.628	.437	48	*481281N	N	.562	1.124	1.128	.250	48
*481047	S	.937	1.497	1.501	.390	48	*481281V	V	.562	1.124	1.128	.250	48
*481067	S	1.750	2.875	2.879	.500	48	*481288	S	1.750	2.374	2.378	.375	48
481073	S	.656	1.375	1.379	.250	48	*481289	S	1.625	2.251	2.256	.375	48
*481076	S	1.031	1.575	1.579	.312	48	*481294	S	.500	1.124	1.128	.312	48
*481078	S	1.875	3.251	3.256	.500	48	*481308	S	1.500	2.374	2.378	.375	48
*481083	S	1.250	1.752	1.756	.375	48	*481315	S	.562	.999	1.003	.250	48
*481083N	N	1.250	1.752	1.756	.375	48	*481315N	N	.562	.999	1.003	.250	48
*481083V	V	1.250	1.752	1.756	.375	48	*481315V	V	.562	.999	1.003	.250	48
*481084	S	1.562	2.250	2.254	.500	48	*481316	S	1.562	2.686	2.690	.375	48
*481091	S	2.000	3.062	3.066	.500	48	*481324	S	.625	1.375	1.379	.312	48
*481091H	H	2.000	3.062	3.066	.500	48	*481336	S	2.250	2.873	2.877	.312	48
*481100	S	1.125	1.624	1.628	.312	48	*481338	S	2.187	3.000	3.005	.500	48
*481105	S	1.375	2.875	2.879	.468	48	*481343	S	1.062	1.575	1.579	.312	48
*481122	S	1.750	2.437	2.441	.375	48	*481344	S	1.500	2.441	2.445	.375	48
*481131	S	1.375	2.374	2.378	.375	48	*481345	S	1.687	2.363	2.367	.437	48
*481133	S	1.125	1.752	1.756	.375	48	*481345H	H	1.687	2.363	2.367	.437	48
*481134	S	1.250	2.062	2.066	.375	48	*481345N	N	1.687	2.363	2.367	.437	48
*481135	S	1.125	2.062	2.066	.375	48	*481354	S	1.187	2.062	2.066	.250	48
*481135H	H	1.125	2.062	2.066	.375	48	*481354N	N	1.187	2.062	2.066	.250	48
*481136	S	1.375	2.248	2.252	.375	48	*481371H★	H	50,00	70,00	70,10	11,00	48
*481137	S	.875	1.828	1.832	.375	48			1.969	2.756	2.760	.433	
*481138	S	2.250	3.125	3.130	.375	48	*481384	S	1.594	2.125	2.129	.281	48
*481138H	H	2.250	3.125	3.130	.375	48	*481384N	N	1.594	2.125	2.129	.281	48
*481138N	N	2.250	3.125	3.130	.375	48	*481384V	V	1.594	2.125	2.129	.281	48
*481139	S	1.875	3.000	3.005	.375	48	*481385	S	.750	1.983	1.987	.437	48
*481139H	H	1.875	3.000	3.005	.375	48	481397	S	.656	1.575	1.579	.250	48
*481150	S	1.625	2.374	2.378	.375	48	*481407	S	1.250	2.441	2.445	.375	48
*481150H	H	1.625	2.374	2.378	.375	48	*481410	S	1.687	2.328	2.332	.437	48
*481150N	N	1.625	2.374	2.378	.375	48	*481413	S	1.250	1.752	1.756	.250	48
481163	S	1.500	2.000	2.004	.312	48	*481413V	V	1.250	1.752	1.756	.250	48
481163V	V	1.500	2.000	2.004	.312	48	*481414	S	3.375	4.376	4.381	.562	48
*481163H	H	1.500	2.000	2.004	.312	48	*481414H	H	3.375	4.376	4.381	.562	48
*481166	S	1.937	2.625	2.629	.375	48	*481419	S	1.625	2.437	2.441	.375	48
481181	S	1.625	2.125	2.129	.250	48	*481419H	H	1.625	2.437	2.441	.375	48
*481181H	H	1.625	2.125	2.129	.250	48	*481424	S	2.000	2.623	2.627	.312	48
481181N	N	1.625	2.125	2.129	.250	48	*481424H	H	2.000	2.623	2.627	.312	48
481191V	V	2.254	2.756	2.763	.340	48	*481428	S	.750	1.752	1.756	.375	48
*481192	S	1.375	2.125	2.129	.312	48	*481436H	H	.656	1.575	1.579	.312	48
*481192H	H	1.375	2.125	2.129	.312	48	*481442	S	.500	.999	1.003	.250	48
*481193N	N	1.301	2.000	2.004	.437	48	*481442N	N	.500	.999	1.003	.250	48
481195	S	1.937	2.502	2.506	.375	48	*481442V	V	.500	.999	1.003	.250	48
*481195N	N	1.937	2.502	2.506	.375	48	481443	S	.781	1.375	1.379	.250	48
*481203N	N	1.250	1.750	1.754	.375	48	481443V	V	.781	1.375	1.379	.250	48
481213	S	1.187	1.687	1.691	.250	48	*481456	S	1.187	1.874	1.878	.437	48
*481224	S	1.000	1.499	1.503	.250	48	*481463	S	1.875	2.835	2.839	.468	48
*481224H	H	1.000	1.499	1.503	.250	48	*481466	S	.625	1.124	1.128	.250	48
481224V	V	1.000	1.499	1.503	.250	48	*481466V	V	.625	1.124	1.128	.250	48
*481234	S	2.250	3.061	3.066	.500	48	*481472	S	.500	1.250	1.254	.250	48
*481239	S	1.000	1.625	1.629	.375	48	*481472N	N	.500	1.250	1.254	.250	48
*481243	S	1.750	2.412	2.416	.468	48	*481475	S	2.625	3.543	3.548	.500	48
*481246	S	1.250	1.874	1.878	.437	48	481481	S	.668	1.187	1.191	.185	48
*481255	S	.625	1.375	1.379	.250	48	*481490	S	.500	1.000	1.004	.250	48
*481255V	V	.625	1.375	1.379	.250	48	*481504	S	1.750	2.437	2.441	.312	48
*481258	S	1.125	1.828	1.832	.375	48	*481504H	H	1.750	2.437	2.441	.312	48

For Illustration and Material Data See Technical Section
 * Call 1-800-480-1212 For Price and Delivery ★ Metric Seal

Part No.	Lip Mat'l	Shaft Size	Hsg. Bore	Seal O.D.	Seal Width	Type/ Illus.	Part No.	Lip Mat'l	Shaft Size	Hsg. Bore	Seal O.D.	Seal Width	Type/ Illus.
480000 SERIES (cont.)							480000 SERIES (cont.)						
*481507	S	1.500	2.252	2.256	.375	48	*481700	S	.875	1.752	1.756	.312	48
*481507H	H	1.500	2.252	2.256	.375	48	*481702	S	.968	1.752	1.756	.312	48
*481507N	N	1.500	2.252	2.256	.375	48	*481703	S	1.000	1.752	1.756	.312	48
*481507V	V	1.500	2.252	2.256	.375	48	*481706	S	1.125	1.752	1.756	.312	48
*481509	S	2.500	3.250	3.256	.437	48	*481708	S	1.187	1.752	1.756	.312	48
*481509H	H	2.500	3.250	3.256	.437	48	*481709	S	1.250	1.752	1.756	.312	48
*481526	S	.500	1.124	1.128	.250	48	*481718	S	1.062	1.752	1.756	.375	48
*481526N	N	.500	1.124	1.128	.250	48	*481730H	H	.875	1.874	1.878	.250	48
481528	S	.656	1.124	1.128	.250	48	*481733	S	1.000	1.874	1.878	.250	48
*481529	S	.687	1.124	1.128	.250	48	*481736	S	1.156	1.874	1.878	.250	48
*481529N	N	.687	1.124	1.128	.250	48	*481737	S	1.250	1.874	1.878	.250	48
*481534	S	.531	1.250	1.254	.250	48	*481737V	V	1.250	1.874	1.878	.250	48
*481535	S	.562	1.250	1.254	.250	48	*481741	S	.875	1.983	1.987	.250	48
481537	S	.656	1.250	1.254	.250	48	*481748N	N	1.156	1.983	1.987	.250	48
481538	S	.687	1.250	1.254	.250	48	*481750	S	1.250	1.983	1.987	.250	48
*481538V	V	.687	1.250	1.254	.250	48	*481760	S	1.000	2.000	2.004	.250	48
*481539	S	.812	1.250	1.254	.250	48	*481763	S	1.125	2.000	2.004	.250	48
*481551	S	.562	1.375	1.379	.250	48	*481765	S	1.187	2.000	2.004	.250	48
*481551H	H	.562	1.375	1.379	.250	48	*481766	S	1.250	2.000	2.004	.250	48
*481552	S	.593	1.375	1.379	.250	48	*481770	S	1.000	2.000	2.004	.375	48
*481553	S	.687	1.375	1.379	.250	48	*481772	S	1.062	2.000	2.004	.375	48
*481554	S	.750	1.375	1.379	.250	48	481773	S	1.156	2.000	2.004	.375	48
*481554N	N	.750	1.375	1.379	.250	48	*481787	S	1.250	2.062	2.066	.250	48
*481554V	V	.750	1.375	1.379	.250	48	*481787N	N	1.250	2.062	2.066	.250	48
*481564	S	.625	1.499	1.503	.250	48	481792	S	1.125	2.125	2.129	.250	48
*481567	S	.750	1.499	1.503	.250	48	*481792N	N	1.125	2.125	2.129	.250	48
481568	S	.781	1.499	1.503	.250	48	*481795	S	1.250	2.125	2.129	.250	48
*481570	S	.875	1.499	1.503	.250	48	*481801	S	1.250	2.252	2.256	.375	48
*481570V	V	.875	1.499	1.503	.250	48	*481801N	N	1.250	2.252	2.256	.375	48
*481571	S	.937	1.499	1.503	.250	48	*481808	S	1.250	2.374	2.378	.375	48
481571V	V	.937	1.499	1.503	.250	48	*481809	S	1.437	2.374	2.378	.375	48
*481572	S	.968	1.499	1.503	.250	48	*481810	S	1.562	2.374	2.378	.375	48
*481572V	V	.968	1.499	1.503	.250	48	*481812	S	1.687	2.374	2.378	.375	48
*481577	S	.625	1.499	1.503	.312	48	*481818	S	1.250	2.437	2.441	.375	48
*481579	S	.687	1.499	1.503	.312	48	*481821	S	1.562	2.437	2.441	.375	48
*481580	S	.750	1.499	1.503	.312	48	481826	S	1.437	2.441	2.445	.375	48
*481582	S	.937	1.499	1.504	.312	48	*481833	S	1.250	2.502	2.506	.375	48
*481583	S	.968	1.499	1.503	.312	48	481834	S	1.312	2.502	2.506	.375	48
*481592	S	.656	1.561	1.565	.250	48	*481835	S	1.375	2.502	2.506	.375	48
*481612	S	.625	1.575	1.579	.312	48	481837	S	1.500	2.502	2.506	.375	48
*481633	S	.875	1.577	1.581	.250	48	*481838	S	1.593	2.502	2.506	.375	48
*481643	S	.750	1.624	1.628	.250	48	*481839	S	1.625	2.502	2.506	.375	48
481644	S	.781	1.624	1.628	.250	48	*481839N	N	1.625	2.502	2.506	.375	48
*481646	S	.875	1.624	1.628	.250	48	*481847	S	1.375	2.561	2.565	.500	48
*481647	S	.937	1.624	1.628	.250	48	*481857	S	1.500	2.623	2.627	.500	48
*481648	S	.968	1.624	1.628	.250	48	481859	S	1.250	2.686	2.690	.375	48
*481649	S	1.000	1.624	1.628	.250	48	481864	S	1.625	2.686	2.690	.375	48
*481649N	N	1.000	1.624	1.628	.250	48	*481864H	H	1.625	2.686	2.690	.375	48
481650	S	1.031	1.624	1.628	.250	48	*481887H	H	2.437	3.125	3.130	.375	48
*481651	S	1.062	1.624	1.628	.250	48	*481901	S	1.312	2.750	2.754	.500	48
*481652	S	1.125	1.624	1.628	.250	48	*481936	S	1.875	2.875	2.879	.437	48
*481652N	N	1.125	1.624	1.628	.250	48	*481944	S	2.000	2.875	2.879	.437	48
481652V	V	1.125	1.624	1.628	.250	48	*481952	S	2.187	2.835	2.839	.468	48
*481656	S	.750	1.624	1.628	.312	48	*481953	S	2.187	2.875	2.879	.437	48
*481656V	V	.750	1.624	1.628	.312	48	*481958	S	1.500	3.000	3.005	.375	48
*481659	S	.875	1.624	1.628	.312	48	*481982	S	1.687	3.125	3.130	.375	48
*481662	S	1.000	1.624	1.628	.312	48	*481984	S	1.750	3.000	3.005	.375	48
*481662H	H	1.000	1.624	1.628	.312	48	*481984N	N	1.750	3.000	3.005	.375	48
*481674	S	.875	1.689	1.690	.250	48	481992	S	1.812	3.125	3.130	.375	48
*481677	S	1.062	1.689	1.693	.250	48	*482005	S	1.875	3.125	3.130	.375	48
*481678	S	1.125	1.689	1.693	.250	48	*482009	S	2.000	3.000	3.005	.375	48
*481682	S	.656	1.752	1.756	.250	48	*482010	S	2.000	3.125	3.130	.375	48
*481684	S	.750	1.752	1.756	.250	48	*482012	S	2.062	3.000	3.005	.375	48
*481688	S	.968	1.752	1.756	.250	48	*482015	S	2.125	3.000	3.005	.375	48
*481688N	N	.968	1.752	1.756	.250	48	*482015H	H	2.125	3.000	3.005	.375	48
*481689	S	1.000	1.752	1.756	.250	48	*482015N	N	2.125	3.000	3.005	.375	48
*481689N	N	1.000	1.752	1.756	.250	48	*482015V	V	2.125	3.000	3.005	.375	48
*481692	S	1.125	1.752	1.756	.250	48	*482016	S	2.125	3.125	3.130	.375	48

NUMERICAL SECTION

For Illustration and Material Data See Technical Section
 * Call 1-800-480-1212 For Price and Delivery

Numerical List Size & Type

NATIONAL®



Part No.	Lip Mat'l	Shaft Size	Hsg. Bore	Seal O.D.	Seal Width	Type/ Illus.	Part No.	Lip Mat'l	Shaft Size	Hsg. Bore	Seal O.D.	Seal Width	Type/ Illus.
480000 SERIES (cont.)							480000 SERIES (cont.)						
*482017	S	2.187	2.996	3.001	.437	48	*482605N	N	1.593	2.502	2.506	.281	48
*482018	S	2.187	3.000	3.005	.375	48	*482612	S	2.125	2.875	2.879	.500	48
*482019	S	2.187	3.062	3.066	.500	48	*482629	S	1.687	2.875	2.879	.500	48
*482020	S	2.187	3.125	3.130	.375	48	*482636	S	2.250	3.251	3.256	.375	48
*482029	S	2.500	3.189	3.194	.375	48	*482674	S	1.125	1.983	1.987	.375	48
*482035	S	2.187	3.371	3.376	.468	48	*482695N	S	1.812	2.624	2.629	.500	48
*482041	S	1.875	2.502	2.506	.375	48	*482758	S	1.625	2.502	2.506	.250	48
482041N	N	1.875	2.502	2.506	.375	48	*482810	S	.437	.875	.880	.250	48
*482042	S	1.593	2.437	2.441	.500	48	*482916	S	2.250	3.189	3.194	.375	48
482069N	N	.860	1.437	1.441	.250	48	*482920	S	2.250	3.371	3.376	.375	48
*482089	S	.781	1.850	1.854	.312	48	*482924	S	2.000	2.875	2.879	.312	48
*482090	S	.968	1.850	1.854	.312	48	*483010	S	1.625	2.502	2.506	.312	48
482126	S	1.750	2.328	2.332	.437	48	*483010N	N	1.625	2.502	2.506	.312	48
*482144	S	1.937	2.875	2.879	.312	48	*483011N	N	.875	1.573	1.577	.250	48
*482157N	N	4.250	5.251	5.256	.375	48	*483022	S	1.375	2.125	2.130	.375	48
*482163	S	1.375	1.983	1.987	.312	48	*483027V	V	.984	1.749	1.753	.375	48
482163N	N	1.375	1.983	1.987	.312	48	483054N	N	1.175	1.828	1.832	.312	48
*482164	S	1.750	2.502	2.506	.312	48	*483054V	V	1.175	1.828	1.832	.312	48
482164N	N	1.750	2.502	2.506	.312	48	*483197N	N	1.375	2.835	2.839	.312	48
*482167	S	1.375	2.250	2.254	.325	48	*483203	S	1.187	1.752	1.756	.250	48
*482170	S	1.625	2.875	2.879	.500	48	*483205	S	1.187	2.125	2.129	.250	48
*482179	S	1.750	2.750	2.754	.312	48	*483214	S	1.375	2.250	2.254	.312	48
*482185	S	1.750	2.623	2.627	.312	48	*483215	S	1.375	2.374	2.378	.312	48
482208	S	1.125	1.624	1.628	.245	48	*483215V	V	1.375	2.374	2.378	.312	48
*482213	S	1.562	2.250	2.254	.312	48	*483227	S	1.500	2.125	2.129	.312	48
482230N	N	1.250	2.126	2.130	.375	48	*483228	S	1.500	2.502	2.506	.312	48
*482246	S	1.750	2.374	2.378	.437	48	*483229	S	1.562	2.502	2.506	.312	48
482253	S	1.593	2.502	2.506	.250	48	*483230	S	1.625	2.250	2.254	.312	48
*482253N	N	1.593	2.502	2.506	.250	48	483230V	V	1.625	2.250	2.254	.312	48
*482258	S	1.375	2.000	2.004	.312	48	*483231	S	1.625	2.374	2.378	.312	48
482258V	V	1.375	2.000	2.004	.312	48	*483232	S	1.625	2.623	2.627	.312	48
482267	S	1.750	3.153	3.159	.312	48	*483237	S	1.750	2.374	2.378	.312	48
*482299	S	1.562	2.374	2.378	.312	48	*483238	S	1.875	2.875	2.879	.312	48
*482299N	N	1.562	2.374	2.378	.312	48	483238V	V	1.875	2.875	2.879	.312	48
482309	S	.968	1.850	1.854	.375	48	*483239	S	1.875	3.000	3.005	.312	48
482310	S	.968	2.048	2.052	.375	48	*483240	S	1.875	3.125	3.130	.312	48
*482319	S	1.937	2.623	2.627	.312	48	*483241	S	1.937	2.750	2.754	.312	48
*482336	S	1.000	1.828	1.832	.375	48	*483242	S	2.000	3.125	3.130	.312	48
*482350	S	1.187	2.165	2.169	.250	48	*483243	S	2.125	3.251	3.256	.375	48
*482371	S	.906	1.625	1.629	.312	48	*483244	S	2.187	2.875	2.879	.375	48
*482394	S	1.937	3.000	3.005	.312	48	*483245	S	2.187	3.251	3.256	.375	48
*482397	S	2.000	3.000	3.005	.312	48	*483246	S	2.375	3.251	3.256	.375	48
*482401	S	1.625	2.437	2.441	.500	48	483246N	N	2.375	3.251	3.256	.375	48
*482401V	V	1.625	2.437	2.441	.500	48	*483247	S	2.375	3.371	3.376	.375	48
482415★	S	38.00	52.27	52.40	6.35	48	*483248	S	2.625	3.371	3.376	.375	48
		1.496	2.058	2.063	.250		483323V	V	2.250	3.000	3.005	.438	48
*482422	S	1.437	2.062	2.066	.375	48	*483326	S	1.730	2.834	2.838	.468	48
*482435	S	2.172	3.345	3.350	.500	48	483367V	V	1.625	2.437	2.441	.312	48
*482439	S	1.875	2.623	2.627	.312	48	483459H	H	1.937	2.686	2.690	.312	48
*482454	S	1.093	1.625	1.628	.312	48	483488	S	1.175	1.771	1.775	.275	48
*482457H	H	1.156	1.874	1.878	.437	48							
*482475	S	1.187	1.874	1.878	.250	48	*483503	S	1.750	2.500	2.504	.375	48
*482485	S	2.000	2.686	2.690	.375	48	*483525V	V	1.618	2.124	2.128	.250	48
*482492	S	2.000	2.750	2.754	.312	48	*483562	S	1.375	1.983	1.987	.375	48
*482513H	H	2.156	2.875	2.879	.375	48	*483562N	N	1.375	1.983	1.987	.375	48
*482522	S	1.000	1.874	1.878	.375	48	*483565	S	1.750	2.497	2.501	.500	48
*482523	S	1.125	1.874	1.878	.375	48	*483602	S	1.730	2.834	2.838	.375	48
*482554N	N	1.500	1.983	1.987	.437	48	*483643	S	1.494	1.875	1.879	.187	48
*482572	S	1.875	2.750	2.754	.312	48	*483738V★	V	50.00	68.00	68.15	8.00	48
*482576	S	1.375	2.125	2.129	.375	48							
482576N	N	1.375	2.125	2.129	.375	48	483793	S	1.343	2.441	2.445	.375	48
*482582	S	.968	1.750	1.754	.375	48	*483801	S	1.875	2.441	2.445	.325	48
*482583★	S	25.00	47.00	47.10	9.50	48	*483815	S	2.125	3.350	3.356	1.250	48
		.984	1.850	1.854	.374		484054	S	1.326	2.061	2.065	.375	48
*482584	S	1.062	1.828	1.832	.375	48	484058	S	1.322	2.227	2.231	.375	48
*482584V	V	1.062	1.828	1.832	.375	48	*484063★	S	35.00	52.00	52.10	7.90	48
*482585	S	1.187	2.062	2.066	.375	48							
*482591	S	1.500	2.328	2.332	.437	48	484064V	V	2.062	2.561	2.565	.313	48
							*484103	S	1.734	2.835	2.839	.312	48

For Illustration and Material Data See Technical Section

★ Hydrodynamic Lip Design-CW * Call 1-800-480-1212 For Price and Delivery ★ Metric Seal

Part No.	Lip Mat'l	Shaft Size	Hsg. Bore	Seal O.D.	Seal Width	Type/ Illus.	Part No.	Lip Mat'l	Shaft Size	Hsg. Bore	Seal O.D.	Seal Width	Type/ Illus.
480000 SERIES (cont.)							480000 SERIES (cont.)						
484114	S	.625	1.625	1.629	.250	48	*485152	S	2.875	4.125	4.130	.562	48
*484132	S	1.040	1.811	1.815	.280	48	*485154	S	3.000	4.125	4.130	.562	48
484156V	V	1.375	1.874	1.879	.240	48	*485156	S	3.125	4.125	4.130	.562	48
*484178	S	1.312	2.062	2.066	.375	48	*485160	S	3.125	4.376	4.381	.625	48
*484206	S	1.618	2.000	2.004	.235	48	*485162	S	3.250	4.376	4.381	.625	48
*484211	S	1.000	2.000	2.004	.500	48	*485165	S	3.375	4.499	4.504	.468	48
*484236V★	V	45.00	61.00	61.16	9.00	48	*485173	S	3.500	4.751	4.756	.625	48
		1.772	2.402	2.408	.354		*485175	S	3.625	4.751	4.756	.625	48
*484247	S	1.875	2.560	2.565	.468	48	*485177	S	3.750	4.751	4.756	.625	48
*485001	S	2.500	3.543	3.548	.500	48	*485179	S	3.875	4.751	4.756	.625	48
*485002	S	2.562	3.623	3.628	.468	48							
485003	S	2.625	3.623	3.628	.468	48	*485179N	N	3.875	4.751	4.756	.625	48
*485003V	V	2.625	3.623	3.628	.468	48	*485192	S	4.000	5.251	5.256	.468	48
*485004	S	2.750	3.751	3.756	.500	48	*485194H	H	4.187	5.250	5.256	.468	48
*485006	S	2.875	3.751	3.756	.500	48	*485195	S	4.250	5.251	5.256	.468	48
*485007	S	2.625	3.876	3.881	.468	48	485195H	H	4.250	5.251	5.256	.468	48
*485009	S	2.750	3.876	3.881	.468	48	*485196	S	4.250	5.376	5.381	.500	48
*485011	S	2.875	4.003	4.008	.468	48	*485197H	H	4.312	5.501	5.506	.562	48
*485011N	N	2.875	4.003	4.008	.468	48	*485198	S	4.375	5.501	5.506	.562	48
*485013	S	3.000	4.003	4.008	.468	48	*485200	S	4.500	5.501	5.506	.562	48
*485014	S	3.000	4.249	4.254	.625	48	*485201	S	4.000	5.999	6.007	.625	48
*485016	S	3.125	4.249	4.254	.625	48	*485205	S	4.250	5.999	6.007	.625	48
*485018	S	3.250	4.249	4.254	.625	48	*485207	S	4.375	5.999	6.007	.625	48
*485019	S	3.000	4.999	5.004	.468	48	*485209	S	4.500	5.999	6.007	.625	48
*485021	S	3.125	4.999	5.004	.468	48	*485211	S	4.625	5.999	6.007	.625	48
*485023	S	3.250	4.999	5.004	.468	48	*485213	S	4.750	5.999	6.007	.625	48
*485025	S	3.375	4.999	5.004	.468	48	*485234	S	2.250	3.623	3.628	.468	48
*485027	S	3.500	4.999	5.004	.468	48	*485245	S	3.125	4.751	4.756	.625	48
*485027N	N	3.500	4.999	5.004	.468	48	*485259	S	2.250	3.751	3.756	.500	48
*485029	S	3.625	4.999	5.004	.468	48	*485260	S	2.062	3.623	3.628	.468	48
*485031	S	3.750	4.999	5.004	.468	48	*485262	S	3.500	5.501	5.506	.562	48
*485033	S	3.875	4.999	5.004	.468	48	*485265	S	3.250	4.751	4.756	.625	48
*485033V	V	3.875	4.999	5.004	.468	48	*485271	S	5.000	5.999	6.007	.625	48
*485035	S	4.000	4.999	5.004	.468	48	*485272	S	2.750	4.003	4.008	.468	48
*485035N	N	4.000	4.999	5.004	.468	48	*485281	S	3.000	3.751	3.756	.500	48
*485036	S	4.000	5.501	5.506	.562	48	*485296	S	2.625	4.003	4.008	.468	48
*485040	S	4.250	5.501	5.506	.562	48	*485303	S	2.875	3.623	3.628	.375	48
*485041	S	4.000	5.751	5.756	.562	48	*485303N	N	2.875	3.623	3.628	.375	48
*485045	S	4.250	5.751	5.756	.562	48	*485304	S	3.250	4.249	4.254	.500	48
*485047	S	4.375	5.751	5.756	.562	48	*485315	S	2.750	3.623	3.628	.468	48
*485049	S	4.500	5.751	5.756	.562	48	*485322	S	2.750	3.543	3.548	.500	48
*485053	S	4.750	5.751	5.756	.562	48	*485328	S	3.250	5.251	5.256	.468	48
*485054	S	4.000	6.250	6.256	.562	48	*485350	S	2.187	3.623	3.628	.468	48
*485058	S	4.250	6.250	6.256	.562	48	*485354	S	3.125	4.003	4.008	.468	48
*485060	S	4.375	6.250	6.256	.562	48	*485355	S	2.875	3.876	3.881	.468	48
*485062	S	4.500	6.250	6.256	.562	48	*485364	S	2.750	3.500	3.505	.500	48
*485064	S	4.625	6.250	6.256	.562	48	*485364H	H	2.750	3.500	3.505	.500	48
*485066	S	4.750	6.250	6.256	.562	48	485364N	N	2.750	3.500	3.505	.500	48
*485068	S	4.875	6.250	6.256	.562	48	*485368	S	2.625	3.500	3.505	.500	48
*485070	S	5.000	6.250	6.256	.562	48	*485369	S	2.500	3.623	3.628	.468	48
*485072	S	6.000	7.501	7.508	.562	48	*485371	S	4.625	5.751	5.756	.562	48
*485079	S	2.500	3.751	3.756	.500	48	*485379	S	3.750	4.751	4.756	.500	48
*485082	S	2.500	3.876	3.881	.468	48	*485379N	N	3.750	4.751	4.756	.500	48
*485088	S	3.000	4.499	4.504	.468	48	*485389	S	3.625	4.499	4.504	.468	48
*485091	S	4.875	5.999	6.007	.625	48	*485394	S	3.125	5.251	5.256	.468	48
*485093	S	2.250	3.500	3.505	.500	48	*485396	S	3.500	5.751	5.756	.562	48
*485095	S	2.375	3.500	3.505	.500	48	*485423	S	3.750	5.501	5.506	.562	48
*485137	S	3.250	4.499	4.504	.468	48	*485436	S	3.625	5.751	5.756	.562	48
*485138	S	4.750	5.750	5.756	.500	48	*485437	S	3.500	4.750	4.756	.500	48
*485138V	V	4.750	5.751	5.756	.500	48	*485449	S	2.500	3.500	3.505	.375	48
*485144	S	2.875	4.499	4.504	.468	48	*485458	S	2.625	3.623	3.628	.375	48
*485145	S	3.125	4.499	4.504	.468	48	*485479	S	3.000	3.876	3.881	.468	48
*485146	S	3.500	4.499	4.504	.468	48	*485483	S	2.625	3.500	3.505	.375	48
*485147	S	2.500	3.500	3.505	.500	48	485497	S	3.625	4.874	4.879	.585	48
*485148	S	3.875	5.251	5.256	.468	48	*485498	S	3.562	4.499	4.504	.468	48
*485149	S	2.625	3.751	3.756	.500	48	*485500N	N	3.298	4.125	4.130	.562	48
*485150	S	3.750	5.251	5.256	.468	48	*485559	S	3.500	5.251	5.256	.468	48
*485151	S	2.687	3.751	3.756	.500	48	*485566	S	3.250	4.125	4.130	.562	48
							*485613	S	3.375	4.249	4.254	.625	48

NUMERICAL SECTION

For Illustration and Material Data See Technical Section
 * Call 1-800-480-1212 For Price and Delivery ★ Metric Seal

Numerical List Size & Type

NATIONAL®



Part No.	Lip Mat'l	Shaft Size	Hsg. Bore	Seal O.D.	Seal Width	Type/Illus.	Part No.	Lip Mat'l	Shaft Size	Hsg. Bore	Seal O.D.	Seal Width	Type/Illus.
480000 SERIES (cont.)							480000 SERIES (cont.)						
*485636	S	2.187	3.500	3.505	.500	48	*486865	S	5.000	6.250	6.256	.500	48
*485645	S	5.250	6.500	6.507	.562	48	*486888	S	4.500	5.500	5.506	.500	48
*485655	S	2.500	4.003	4.008	.468	48	*486888H	H	4.500	5.500	5.506	.500	48
*485659	S	2.125	3.500	3.505	.500	48	*486891	S	4.250	5.500	5.506	.500	48
*485697	S	3.875	5.125	5.131	.500	48	*486892	S	4.500	5.750	5.756	.500	48
*485725	S	5.000	6.001	6.007	.500	48	*486893	S	3.062	4.003	4.008	.468	48
*485725H	H	5.000	5.999	6.007	.500	48	*486921	S	2.875	4.003	4.008	.375	48
*485725N	N	5.000	5.999	6.007	.500	48	*486923V	V	3.750	4.750	4.756	.375	48
*485836	S	3.000	4.003	4.008	.437	48	*486985	S	3.875	4.750	4.756	.375	48
*485852	S	3.750	5.751	5.756	.562	48	*486985V	V	3.875	4.750	4.756	.375	48
*485869N	N	5.500	7.248	7.255	.656	48	*487034V	V	3.125	4.003	4.008	.500	48
*485894	S	3.375	4.376	4.381	.500	48	*487056	S	3.250	6.374	6.380	.468	48
*485937	S	3.625	4.751	4.756	.500	48	*487063V	V	4.875	5.750	5.756	.500	48
*485953	S	4.000	4.999	5.004	.500	48	*487082	S	2.625	4.003	4.008	.375	48
*485960	S	2.750	3.876	3.881	.375	48	*487119	S	3.000	4.125	4.130	.438	48
*485984	S	2.750	3.623	3.628	.375	48	*487158	S	2.875	3.876	3.881	.375	48
*485991N	N	3.500	4.501	4.506	.468	48	*487162	S	3.000	4.500	4.506	.500	48
*485996N	N	3.375	4.280	4.285	.406	48	*487171	S	3.125	4.375	4.381	.500	48
*486011	S	3.125	4.125	4.130	.500	48	*487172	S	3.125	4.500	4.506	.500	48
*486023	S	3.000	3.751	3.756	.375	48	*487181	S	3.250	4.376	4.381	.500	48
*486023N	N	3.000	3.751	3.756	.375	48	*487191	S	3.375	4.500	4.506	.500	48
*486041	S	3.750	4.626	4.632	.500	48	*487196	S	3.500	4.625	4.631	.500	48
*486043	S	3.875	5.751	5.756	.562	48	*487205	S	3.750	4.875	4.881	.500	48
*486047	S	3.625	4.625	4.631	.500	48	*487211	S	3.875	4.875	4.881	.500	48
*486107	S	5.500	6.750	6.757	.575	48	*487247	S	4.750	6.001	6.007	.500	48
*486125	S	3.625	4.999	5.004	.500	48	*487250V	V	4.750	6.000	6.006	.500	48
*486128	S	3.875	5.501	5.506	.562	48	*487254	S	5.500	6.500	6.507	.562	48
*486130	S	4.000	5.375	5.381	.500	48	*487262	S	5.250	6.250	6.256	.500	48
*486135	S	4.250	5.625	5.631	.500	48	*487278	S	5.000	6.375	6.381	.500	48
*486153	S	4.500	5.625	5.631	.500	48	*487316	S	2.750	3.751	3.756	.375	48
*486167	S	4.875	5.999	6.007	.500	48	*487319	S	3.375	4.250	4.255	.280	48
*486167H	H	4.875	5.999	6.007	.500	48	*487343	S	2.625	3.751	3.756	.375	48
*486267	S	2.125	3.501	3.505	.375	48	*487344	S	2.875	3.751	3.756	.375	48
*486268	S	2.187	3.500	3.505	.375	48	487344V	V	2.875	3.751	3.756	.375	48
*486271	S	2.375	3.500	3.505	.375	48	*487349	S	3.000	3.751	3.756	.437	48
*486273	S	2.500	3.623	3.628	.375	48	*487350	S	3.000	3.876	3.881	.437	48
*486281N	N	2.750	4.125	4.130	.562	48	*487351	S	3.000	4.125	4.130	.437	48
*486281V	V	2.750	4.125	4.130	.562	48	*487352	S	3.250	4.500	4.506	.500	48
*486286	S	2.875	4.249	4.254	.625	48	*487353	S	3.250	4.626	4.632	.500	48
*486287	S	3.125	4.249	4.254	.468	48	*487354	S	3.375	4.626	4.632	.500	48
*486288	S	3.125	4.249	4.254	.500	48	*487355	S	3.625	4.875	4.881	.500	48
*486294	S	3.375	4.249	4.254	.500	48	*487356	S	4.000	5.125	5.131	.500	48
*486303	S	3.250	4.626	4.631	.437	48	*487357	S	4.000	5.250	5.256	.500	48
*486319	S	3.375	4.626	4.631	.437	48	*487358	S	5.250	6.375	6.381	.500	48
*486319V	V	3.375	4.626	4.631	.437	48	*487359	S	5.250	6.625	6.632	.562	48
*486323	S	3.375	4.751	4.756	.625	48	*487360	S	5.500	6.625	6.632	.562	48
*486327	S	3.375	5.251	5.256	.468	48	*487361	S	5.500	6.875	6.882	.562	48
*486328	S	3.500	4.626	4.631	.437	48	*487362	S	5.750	6.750	6.757	.575	48
*486332	S	3.625	4.626	4.631	.437	48	*487363	S	5.750	6.875	6.882	.562	48
*486332N	N	3.625	4.626	4.631	.437	48	*487364	S	5.750	7.125	7.132	.562	48
*486335	S	3.625	5.251	5.256	.468	48	*487365	S	6.000	7.125	7.132	.562	48
*486336	S	3.750	4.626	4.631	.437	48	*487366	S	3.875	5.250	5.256	.500	48
*486339	S	3.750	4.999	5.004	.500	48	*487384N	N	2.750	4.375	4.380	.625	48
*486345	S	3.875	4.999	5.004	.500	48	*487397N	N	3.625	4.624	4.630	.500	48
*486370	S	3.000	4.751	4.756	.625	48	487397V	V	3.625	4.624	4.630	.500	48
*486380	S	4.375	5.500	5.506	.500	48	*487658	S	2.634	3.937	3.942	.375	48
*486414	S	3.500	4.500	4.506	.500	48	*487678N	N	2.750	4.125	4.130	.437	48
*486517	S	3.937	5.905	5.911	.500	48	*487806	S	4.687	6.001	6.007	.280	48
*486544N	N	3.750	4.751	4.756	.375	48	487945	S	2.000	3.623	3.628	.375	48
*486556	S	4.250	5.250	5.256	.500	48	*488020V	V	2.875	3.740	3.746	.551	48
486567	S	3.375	4.370	4.375	.250	48	490000 SERIES						
*486624	S	3.500	4.376	4.381	.500	48	*492486	S	2.375	3.266	3.270	.495	49
*486642	S	8.750	10.250	10.260	.688	48	*492521N	N	1.500	2.000	2.005	.250	49
*486642H	H	8.750	10.250	10.260	.688	48	*492702	S	2.000	2.623	2.627	.250	49
*486664	S	2.750	3.500	3.505	.375	48	493291★	S	57.99	80.14	80.24	9.53	49
*486666	S	5.750	7.001	7.008	.562	48			2.283	3.155	3.159	.375	
*486701	V	6.125	7.125	7.131	.500	48	493524	S	2.000	2.846	2.850	.375	49
486857	S	2.648	3.812	3.817	.500	48	493637	S	2.330	2.997	3.001	.312	49

For Illustration and Material Data See Technical Section

★ Hydrodynamic Lip Design-CW * Call 1-800-480-1212 For Price and Delivery ★ Metric Seal

Part No.	Lip Mat'l	Shaft Size	Hsg. Bore	Seal O.D.	Seal Width	Type/ Illus.	Part No.	Lip Mat'l	Shaft Size	Hsg. Bore	Seal O.D.	Seal Width	Type/ Illus.
490000 SERIES (cont.)							710000 SERIES (cont.)						
*493759★	S	48,00	65,00	65,10	7,00	49	710056★◀	V	91,00	111,00	111,20	10,00	47
		1.890	2.559	2.563	.276				3.583	4.370	4.378	.394	
494117★	S	42,00	56,00	56,28	7,00	49	710057★	S	36,00	65,00	65,20	8,00	48
		1.654	2.205	2.216	.276				1.417	2.559	2.567	.315	
494122★	S	45,00	62,00	62,10	6,00	49	710058	S	1.937	2.562	2.566	.317	48
		1.772	2.441	2.445	.236		710059	S	1.000	1.322	1.328	.210	48
494123★	S	51,00	63,00	63,12	6,00	49	710060★◀	H	95,00	118,00	118,16	8,50	32
		2.008	2.480	2.485	.236				3.740	4.646	4.652	.335	
*498040	S	3.750	5.000	5.009	.370	49	710061◀	H	4.000	4.921	4.932	.512	32
580000 SERIES													
*580387★➔	S	32,00	47,00	47,20	8,00	32	710062	S	1.750	2.374	2.378	.484	#
		1.260	1.850	1.858	.315		*710063	S	1.625	2.440	2.444	.500	#
*580388★➔	S	34,00	48,00	48,20	7,00	32	*710064★	S	52,00	68,00	68,09	12,09	#
		1.339	1.890	1.898	.276				2.047	2.677	2.681	.476	
600000 SERIES													
*600305★◀	T	95,00	115,00	115,32	12,12	#	710065★	S	30,00	65,00	65,23	34,00	#
		3.740	4.528	4.540	.477				1.181	2.559	2.568	1.339	
*600319◀	V	6.107	6.750	6.757	.675	41	*710066&	S	1.400	2.478	2.486	.521	83
710000 SERIES													
710005	S	1.750	3.062	3.066	.485	86	710067◀➔	S	1.703	3.030	3.039	.500	69
710006➔	N	2.375	4.500	4.504	1.060	74	710068	S	1.190	2.122	2.128	.350	#
710007	S	2.000	3.370	-	1.020	#	710069&	S	2.201	2.830	2.836	.450	#
710008&	N	3.000	5.751	5.756	.840	74	710070★	S	33,00	44,00	44,18	7,00	47
710009	U	3.000	4.000	4.012	.600	#			1.299	1.732	1.739	.276	
710010	U	2.750	3.750	3.754	.500	#	710071★	S	50,00	94,00	94,28	24,00	#
710011	U	3.000	4.000	4.008	.500	#			1.969	3.701	3.712	.945	
710012	U	1.500	2.250	2.254	.375	#	710072★	S	57,00	79,00	79,28	13,50	#
710013	U	1.750	2.437	2.441	.375	#			2.244	3.110	3.121	.531	
710014	U	1.250	1.750	1.756	.250	#	710073★	S	54,00	75,18	75,48	17,00	#
									2.126	2.960	2.972	.669	
710015	U	3.500	4.500	4.504	.500	#	710074★	S	57,00	79,00	79,28	14,98	#
710016	U	3.250	4.250	4.255	.500	#			2.244	3.110	3.121	.590	
710017	U	2.000	2.687	2.690	.375	#	710075◀	V	2.832	3.625	3.635	.374	32
710018	U	2.500	3.250	3.255	.375	#							
710019	U	1.875	2.875	2.886	.625	#	710076	S	1.350	1.620	1.625	.355	#
710020	U	1.500	2.250	-	.500	#	710077	S	3.375	3.948	3.955	.375	32
*710021	N	2.125	3.063	3.068	.370	7S	710078★	V	45,00	62,00	62,15	8,00	47
710022	H	4.000	4.999	5.004	.468	45			1.772	2.441	2.447	.315	
710023	U	1.500	2.000	-	.250	#	710080	S	3.125	4.450	4.456	.880	#
710024	U	1.750	2.250	-	.250	#	710081	S	1.937	3.930	3.935	.320	#
							710084★	S	120,00	140,00	140,21	10,50	47
710025	U	2.000	2.500	-	.250	#			4.724	5.512	5.520	.413	
710026	U	2.250	2.750	-	.250	#	710085★	S	95,00	132,00	132,26	12,00	#
710027	U	2.500	3.000	-	.313	#			3.740	5.197	5.207	.472	
710028	U	3.000	3.500	-	.313	#	710086★	S	56,00	122,00	122,25	8,00	#
710029	U	3.500	4.000	-	.313	#			2.205	4.803	4.813	.315	
710030	U	3.500	4.125	-	.313	#	710087★	S	75,00	112,00	112,17	10,00	45
710031	U	4.000	4.750	4.760	.313	#			2.953	4.409	4.416	.394	
710032	U	5.000	5.750	-	.313	#	710088	S	3.330	5.045	5.050	.800	#
*710033	U	2.500	3.000	-	.313	#	710089★	S	118,00	173,00	173,80	28,00	#
710034	U	2.500	3.000	-	.375	#			4.646	6.811	6.843	1.102	
							710090	S	3.040	6.412	6.418	.658	#
710035	U	3.750	4.375	-	.312	#	710091&	S	2.700	3.499	3.504	.462	272
710036	U	4.000	4.625	4.634	.312	#	710092★	S	66,00	85,00	85,12	10,00	41
*710037	U	4.750	5.375	-	.312	#			2.598	3.346	3.351	.394	
710038	U	2.750	3.250	-	.312	#	710093★	S	60,00	75,00	75,00	11,80	#
710039	U	2.735	3.415	-	.188	#			2.362	2.953	3.386	.465	
710040	U	2.000	2.500	-	.375	#	710094★	S	65,00	82,00	82,09	8,00	66
710041	U	2.250	2.750	-	.375	#			2.559	3.228	3.232	.315	
710042	U	2.485	3.165	-	.188	#	710095	S	1.775	-	1.970	.365	#
710043	S	1.301	2.620	2.625	.315	#	710096★◀➔	N	35,00	56,90	57,05	19,41	74
710044	S	1.500	1.875	-	.188	#			1.378	2.240	2.246	.764	
							710097★	S	42,00	56,00	56,21	6,00	#
710045	S	2.250	-	2.840	.500	VRS1			1.654	2.205	2.213	.236	
710046➔	S	1.552	2.447	2.452	.500	86	710098★	S	50,00	64,10	64,19	6,50	71
*710050★	S	40,00	75,00	75,30	12,00	32			1.969	2.524	2.527	.256	
		1.575	2.953	2.965	.472		710101◀➔	S	1.250	2.398	2.402	.228	#
710051★&	S	35,00	48,00	48,28	15,00	86	710102	S	1.650	2.410	2.414	.361	#
		1.378	1.890	1.901	.591		710103	S	3.142	3.733	3.736	.565	#
710053	S	1.047	1.811	1.815	.285	48	710105◀➔	S	1.705	3.080	3.084	.461	#
							710106	S	3.133	3.547	3.551	.366	#
							710107★%	S	52,00	77,00	78,00	9,00	#
									2.047	3.031	3.071	.354	

NUMERICAL SECTION

For Illustration and Material Data See Technical Section

Designed For A Specific Application - Not Recommended For General Use ➔ Hydrodynamic Lip Design-CW ◀ Hydrodynamic Lip Design-CCW
 ◀➔ Hydrodynamic Lip Design-Bidirectional % External Bore & Flanged O.D. * Call 1-800-480-1212 For Price and Delivery ★ Metric Seal

Numerical List Size & Type

NATIONAL®



Part No.	Lip Mat'l	Shaft Size	Hsg. Bore	Seal O.D.	Seal Width	Type/Illus.	Part No.	Lip Mat'l	Shaft Size	Hsg. Bore	Seal O.D.	Seal Width	Type/Illus.
710000 SERIES (cont.)							710000 SERIES (cont.)						
710108★	S	56,00	76,00	76,12	12,30	66	710143★	S	47,00	84,00	84,20	11,00	#
		2.205	2.992	2.997	.484				1.850	3.307	3.315	.433	
710109★↔	N	34,00	63,00	63,09	9,00	40	710144★◀	S	58,00	78,00	78,20	10,00	#
		1.339	2.480	2.484	.354				2.283	3.071	3.079	.394	
710110★↔	N	34,00	54,00	54,25	9,00	40	710146★	S	56,00	76,00	76,15	11,50	72
		1.339	2.126	2.136	.354				2.205	2.992	2.998	.453	
710111★◀	N	35,00	50,00	50,28	11,50	#	710147★	S	40,00	60,00	60,20	8,00	#
		1.378	1.969	1.980	.453				1.575	2.362	2.370	.315	
710112★↔	N	50,00	80,00	80,30	16,00	#	710148★	S	49,00	72,20	72,50	8,00	97
		1.969	3.150	3.161	.630				1.929	2.843	2.854	.315	
710113★	S	40,00	75,00	75,30	12,00	#	710149★	S	37,00	52,00	52,15	6,00	#
		1.575	2.953	2.965	.472				1.457	2.047	2.053	.236	
710114★➔	N	41,00	59,00	59,10	10,00	98	710150★	S	47,00	80,00	80,20	12,70	#
		1.614	2.323	2.327	.394				1.850	3.150	3.157	.500	
710115★↔	S	44,00	80,00	80,12	8,00	98	710151★	S	34,00	65,00	65,10	12,00	47
		1.732	3.150	3.154	.315				1.339	2.559	2.563	.472	
710116★	N	14,00	25,00	25,20	7,00	32	710152★	S	36,00	64,00	64,20	11,00	#
		.551	.984	.992	.276				1.417	2.520	2.528	.433	
710117★	N	50,00	86,00	86,30	13,00	#	710153★	S	26,00	44,00	44,20	8,00	#
		1.969	3.386	3.398	.512				1.024	1.732	1.740	.315	
710118★	S	39,00	59,00	59,30	11,00	40	710154★	S	19,00	38,00	38,20	7,00	32
		1.535	2.323	2.335	.433				.748	1.496	1.504	.276	
710119★	N	28,00	43,00	43,23	8,00	32	710155★	S	23,00	34,00	34,23	6,50	35
		1.102	1.693	1.702	.315				.905	1.339	1.348	.256	
710120★	N	39,00	50,00	50,29	11,00	#	710156★	S	18,00	32,00	32,10	7,00	#
		1.535	1.969	1.980	.433				.709	1.260	1.264	.276	
710121★	N	59,00	100,00	100,28	10,00	#	710157★➔	S	28,00	43,00	43,23	7,00	32
		2.323	3.937	3.948	.394				1.102	1.693	1.702	.276	
710122★	N	39,00	57,00	57,20	21,50	40	710158★	S	39,00	55,00	55,11	7,50	40
		1.535	2.244	2.252	.846				1.535	2.165	2.170	.295	
710123★	N	39,00	57,00	57,20	17,00	40	710159★	S	43,00	58,47	58,62	7,50	#
		1.535	2.244	2.252	.669				1.693	2.302	2.308	.295	
710124★	N	33,00	59,00	59,20	17,00	#	710160★	S	45,00	66,00	66,24	7,50	#
		1.299	2.323	2.331	.669				1.772	2.598	2.608	.295	
710125★	S	56,00	74,00	74,20	8,00	#	710161★	S	46,00	68,50	68,70	7,50	#
		2.205	2.913	2.921	.315				1.811	2.697	2.705	.295	
710126★	S	46,00	69,40	69,60	11,00	#	710162	V	1.937	2.750	2.754	.313	48
		1.811	2.732	2.740	.433		710163	S	.000	.000	.000	.000	#
710127★	S	55,00	68,00	68,20	8,00	#	710164★	V	32,00	50,00	50,14	8,00	48
		2.165	2.677	2.685	.315				1.260	1.969	1.974	.315	
710128★	S	46,00	69,40	69,60	10,00	#	710165★	S	38,00	68,00	68,20	8,00	#
		1.811	2.732	2.740	.394				1.496	2.677	2.685	.315	
710129★	S	57,00	77,00	77,20	8,00	#	710166	S	1.399	2.290	2.294	.500	74
		2.244	3.031	3.039	.315		710167★	S	48,00	64,00	64,20	14,00	#
710130★	S	64,00	77,00	77,20	8,00	#			1.890	2.520	2.528	.551	
		2.520	3.031	3.039	.315		710168★	S	59,00	75,00	75,11	10,00	47
710131★	S	40,00	62,00	62,20	9,00	#			2.323	2.953	2.957	.394	
		1.575	2.441	2.449	.354		710169★	S	56,00	67,00	67,20	6,00	#
710132★	N	33,00	56,00	56,23	8,00	#			2.205	2.638	2.646	.236	
		1.299	2.008	2.214	.315		710170★	S	61,00	88,00	88,00	7,00	#
710133★	N	42,00	90,00	90,09	9,00	#			2.402	3.465	3.465	.276	
		1.654	3.543	3.547	.354		710171	N	2.200	2.804	-	.300	#
710134★	S	40,00	65,00	65,20	20,00	#	710172★	V	31,00	42,00	42,20	8,00	35
		1.575	2.559	2.567	.787				1.220	1.654	1.661	.315	
710135★	S	50,00	70,00	70,20	14,00	#	710173★	N	50,00	70,00	70,20	10,00	#
		1.969	2.756	2.764	.551				1.969	2.756	2.764	.394	
710136★	S	58,00	75,00	75,20	7,00	#	710174	S	2.748	3.881	3.885	.464	47
		2.283	2.953	2.961	.276		710175★	S	53,00	68,20	68,48	7,00	32
710137★	S	50,00	74,00	74,20	9,00	#			2.087	2.685	2.696	.276	
		1.969	2.913	2.921	.354		710176★	S	56,00	74,00	74,14	8,50	87
710138★↔	S	35,00	63,00	63,20	9,00	40			2.205	2.913	2.919	.335	
		1.378	2.480	2.488	.354		710178★	S	35,00	49,00	49,30	8,00	#
710139★	N	38,00	58,00	58,20	10,00	#			1.378	1.929	1.941	.315	
		1.496	2.283	2.291	.394		710179★➔	S	42,00	64,80	65,00	13,50	32
710140★	S	40,50	58,00	58,23	8,00	32			1.654	2.551	2.555	.531	
		1.594	2.283	2.293	.315		710180◀	V	3.250	3.879	3.881	.375	47
710141★◀	N	41,00	61,00	61,20	10,00	#	710181	S	1.125	1.630	1.634	.313	#
		1.614	2.402	2.409	.394		710182★	S	60,00	86,00	86,10	7,00	66
710142★	S	43,00	70,00	70,20	9,00	#			2.362	3.386	3.390	.276	
		1.693	2.756	2.764	.354								

For Illustration and Material Data See Technical Section

Designed For A Specific Application - Not Recommended For General Use ➔ Hydrodynamic Lip Design-CW ◀ Hydrodynamic Lip Design-CCW

↔ Hydrodynamic Lip Design-Bidirectional ★ Metric Seal

Part No.	Lip Mat'l	Shaft Size	Hsg. Bore	Seal O.D.	Seal Width	Type/ Illus.	Part No.	Lip Mat'l	Shaft Size	Hsg. Bore	Seal O.D.	Seal Width	Type/ Illus.
710000 SERIES (cont.)							710200 SERIES (cont.)						
710183★	S	58,00	76,00	76,10	6,50	66	710224★	S	38,00	62,00	62,10	6,00	49
		2.283	2.992	2.996	.256				1.496	2.441	2.445	.236	
710186★	S	42,00	56,30	56,44	8,00	#	710225★	S	57,00	80,00	80,10	8,00	#
		1.654	2.216	2.222	.315				2.244	3.150	3.154	.315	
710187★➔	N	52,00	70,00	70,27	8,50	32	710226★	S	50,00	65,30	65,53	8,00	32
		2.047	2.756	2.766	.335				1.969	2.571	2.580	.315	
710188★↔	V	88,00	106,00	106,28	8,50	32	710227★	S	40,00	62,00	62,30	6,50	#
		3.465	4.173	4.184	.335				1.575	2.441	2.453	.256	
710189★↔	V	89,00	105,00	105,20	10,00	47	710228★	S	37,00	62,00	62,23	10,00	40
		3.504	4.134	4.142	.394				1.457	2.441	2.450	.394	
710190★	V	52,00	68,00	68,15	8,00	32	710229★	S	59,00	78,30	78,55	8,00	40
		2.047	2.677	2.683	.315				2.323	3.083	3.093	.315	
710191★	S	47,00	64,00	64,08	7,00	25	710230★	S	58,00	76,00	76,23	7,80	#
		1.850	2.520	2.523	.276				2.283	2.992	3.001	.307	
710192★	S	50,00	60,00	60,25	6,00	32	710231★	S	59,00	78,30	78,55	8,00	32
		1.969	2.362	2.372	.236				2.323	3.083	3.093	.315	
710193★	S	45,00	59,00	59,28	7,50	32	710232★↔	V	86,00	104,00	104,23	11,00	32
		1.772	2.323	2.334	.295				3.386	4.094	4.104	.433	
710194★	S	50,00	68,00	68,27	7,00	32	710233★➔	N	38,50	53,00	53,23	8,00	32
		1.969	2.677	2.688	.276				1.516	2.087	2.096	.315	
710195★	S	42,00	76,00	76,28	12,00	40	710234★↔	N	68,00	84,00	84,23	8,50	32
		1.654	2.992	3.003	.472				2.677	3.307	3.316	.335	
710196★	V	40,00	62,00	62,27	10,00	32	710235★↔	V	86,00	103,00	103,23	10,00	32
		1.575	2.441	2.452	.394				3.386	4.055	4.064	.394	
710197★	N	36,00	54,00	54,28	7,00	40	710236★➔	N	33,00	49,00	49,23	8,00	32
		1.417	2.126	2.137	.276				1.299	1.929	1.938	.315	
710198	S	1.565	2.372	2.382	.394	#	710237★↔	V	90,00	104,00	104,10	11,00	32
710199★↔➔	N	35,00	54,00	54,10	9,00	#			3.543	4.094	4.098	.433	
		1.378	2.126	2.130	.354		710238★➔	S	46,00	70,00	70,10	8,00	32
									1.811	2.756	2.760	.315	
							710239★	N	54,00	69,00	69,23	7,00	40
									2.126	2.717	2.726	.276	
							710240★%	S	75,00	83,00	87,00	4,00	#
									2.953	3.268	3.425	.157	
710201★	S	35,00	60,00	60,30	12,00	47	710241	S	1.628	2.278	2.282	.343	68
		1.378	2.362	2.374	.472		710242★➔	N	52,00	72,00	72,28	8,00	32
710202	S	1.628	2.122	2.126	.343	#			2.047	2.835	2.846	.315	
710203★	S	54,00	81,99	82,17	8,00	66	710243★	S	16,00	26,00	26,10	7,00	25
		2.126	3.228	3.235	.315				.630	1.024	1.028	.276	
710204	S	1.625	2.282	2.286	.313	48	710244★	S	42,00	56,50	56,70	8,00	#
710205★↔	V	96,00	117,00	117,28	12,00	32			1.654	2.224	2.232	.315	
		3.780	4.606	4.617	.472		710245★➔	N	42,00	76,00	76,10	14,00	#
									1.654	2.992	2.996	.551	
710207★	S	42,00	72,00	72,28	10,00	40	710246★	N	42,00	90,00	90,28	12,00	#
		1.654	2.835	2.846	.394				1.654	3.543	3.554	.472	
710208★	S	44,00	92,00	92,28	12,50	#	710247	N	1.503	1.937	1.950	.475	#
		1.732	3.622	3.633	.492		710248★➔	N	45,00	78,00	78,10	11,00	66
710209★	N	38,00	62,00	62,24	13,00	#			1.772	3.071	3.075	.433	
		1.496	2.441	2.450	.512		710249★	S	20,00	26,00	26,20	4,00	97
710210	V	2.375	3.251	3.256	.625	74			.787	1.024	1.031	.157	
710211➔	N	1.875	2.677	2.681	.375	74	710250★	N	34,50	71,00	71,10	42,00	#
									1.358	2.795	2.799	1.654	
710213★	S	62,00	78,00	78,10	7,00	281	710251★	N	17,00	34,00	34,10	7,90	47
		2.441	3.071	3.075	.276				.669	1.339	1.343	.311	
710214★	N	39,00	59,00	59,28	11,00	40	710252★	S	36,00	44,00	44,23	5,00	32
		1.535	2.323	2.334	.433				1.417	1.732	1.741	.197	
710215★	S	47,00	66,00	66,10	11,00	66	710253★%	S	52,00	62,00	63,00	5,50	#
		1.850	2.598	2.602	.433				2.047	2.441	2.480	.217	
710216★	S	28,00	42,50	42,72	8,00	35	710254★	S	23,00	31,80	32,00	5,50	34
		1.102	1.673	1.682	.315				.905	1.252	1.260	.217	
710217★	S	35,00	54,00	54,10	8,00	#	710255★	S	48,00	70,00	70,20	9,00	#
		1.378	2.126	2.130	.315				1.890	2.756	2.764	.354	
710218★	V	35,00	56,00	56,10	16,00	#	710256★	S	64,00	76,00	76,20	7,00	#
		1.378	2.205	2.209	.630				2.520	2.992	3.000	.276	
710219★↔	N	90,00	108,00	108,23	10,00	32	710258★↔	V	115,00	135,00	135,20	10,00	32
		3.543	4.252	4.261	.394				4.528	5.315	5.323	.394	
710220★➔	N	41,00	62,00	62,23	9,00	32	710259★↔➔	V	37,00	56,00	56,20	12,50	32
		1.614	2.441	2.450	.354				1.457	2.205	2.213	.492	
710221★	N	42,00	56,00	56,10	14,00	#	710260★↔	S	45,00	61,00	61,20	8,00	32
		1.654	2.205	2.209	.551				1.811	2.756	2.764	.315	
710222★	S	18,00	26,00	26,10	4,00	98							
		.709	1.024	1.028	.157								
710223★	S	44,00	66,00	66,10	6,00	#							
		1.732	2.598	2.602	.236								

NUMERICAL SECTION

For Illustration and Material Data See Technical Section
 # Designed For A Specific Application - Not Recommended For General Use ➔ Hydrodynamic Lip Design-CW ↔ Hydrodynamic Lip Design-CCW
 ↔ Hydrodynamic Lip Design-Bidirectional % External Bore ★ Metric Seal

Numerical List Size & Type

NATIONAL®



Part No.	Lip Mat'l	Shaft Size	Hsg. Bore	Seal O.D.	Seal Width	Type/Illus.	Part No.	Lip Mat'l	Shaft Size	Hsg. Bore	Seal O.D.	Seal Width	Type/Illus.
710200 SERIES (cont.)							710200 SERIES (cont.)						
710261★➔	V	16.00	56.00	56.20	6.50	32	710299★	N	17.50	27.50	27.70	7.00	#
		.630	2.205	2.213	.256				.689	1.083	1.091	.276	
710262★◄	V	96.00	116.00	116.26	9.00	32	710300 SERIES						
		3.780	4.567	4.577	.354		710300★	S	40.00	56.00	56.20	9.00	#
710263➔	V	2.000	2.623	2.627	.256	47			1.575	2.205	2.213	.354	
710264★➔	H	43.00	55.00	55.20	8.00	32	710301★	S	42.00	62.00	62.20	7.00	97
		1.693	2.165	2.173	.236				1.654	2.441	2.449	.276	
710265★	N	51.00	66.00	66.20	6.50	35	710302	S	.000	1.654	1.661	.315	#
		2.008	2.598	2.606	.256		710303★	S	25.50	38.50	38.70	8.50	35
710266★	S	93.00	154.00	154.10	8.00	#			1.004	1.516	1.524	.335	
		3.661	6.063	6.067	.315		710304	S	1.479	2.563	2.567	.470	#
710267★	S	30.00	54.00	54.20	9.00	32	710305★&	S	49.00	70.00	70.10	12.50	#
		1.181	2.126	2.134	.354				1.929	2.756	2.760	.492	
710268★◄	N	58.00	103.00	103.20	11.00	40	710306★◄	S	32.00	52.00	52.20	10.00	32
		2.283	4.055	4.063	.433				1.260	2.047	2.055	.394	
710270★	N	45.00	72.00	72.20	12.00	32	710307★◄	N	25.00	40.00	40.20	7.00	32
		1.772	2.835	2.843	.472				.984	1.575	1.583	.276	
710271★◄	S	58.00	74.00	74.20	10.00	32	710308★➔	S	40.00	52.00	52.20	6.00	32
		2.283	2.913	2.921	.394				1.575	2.047	2.055	.236	
710272★	N	18.70	35.00	35.20	7.00	32	710309★	S	38.00	52.00	52.20	6.00	#
		.736	1.378	1.386	.276				1.496	2.047	2.055	.236	
710273★	S	19.00	35.00	35.23	10.00	35	710310★➔	N	32.00	47.00	47.20	6.00	32
		.748	1.378	1.387	.394				1.260	1.850	1.858	.236	
710274	V	.610	1.102	1.106	.600	#	710311★	S	40.00	54.00	54.10	8.00	25
710275★◄	N	68.00	124.00	124.10	12.00	40			1.575	2.126	2.130	.315	
		2.677	4.882	4.886	.472		710312★	S	52.00	68.00	68.20	13.00	32
710276★◄➔	N	60.00	103.00	103.10	12.00	40			2.047	2.677	2.685	.512	
		2.362	4.055	4.059	.472		710313★➔	S	48.00	70.00	70.20	12.00	32
710277★	N	64.00	132.00	132.10	13.00	#			1.890	2.756	2.764	.472	
		2.520	5.197	5.201	.512		710314★◄	N	35.00	56.00	56.20	8.00	40
710278★	N	100.00	145.00	145.10	26.00	#			1.378	2.205	2.213	.315	
		3.937	5.709	5.713	1.024		710315★➔	S	35.00	56.00	56.20	8.00	40
710279★	V	55.00	70.00	70.20	8.00	32			1.378	2.205	2.213	.315	
		2.165	2.756	2.764	.315		710316★➔	S	25.00	40.00	40.20	8.00	32
*710280★	V	20.00	35.00	35.20	7.00	32			.984	1.575	1.583	.315	
		.787	1.378	1.386	.276		710317★◄	S	32.00	48.00	48.20	10.00	32
710281	S	1.940	2.900	2.910	.400	74			1.260	1.890	1.898	.394	
710282★	S	32.00	42.00	42.20	8.00	32	710318★➔	N	38.50	58.00	58.20	8.50	32
		1.260	1.654	1.661	.315				1.516	2.283	2.291	.335	
710283★	N	44.00	90.00	90.10	9.00	#	710319★	S	38.00	58.00	58.10	11.00	47
		1.732	3.543	3.547	.354				1.496	2.283	2.287	.433	
710284★	N	40.00	73.00	73.10	10.00	#	710320★	S	47.00	62.00	62.10	9.00	48
		1.575	2.874	2.878	.394				1.850	2.441	2.445	.354	
710285	S	1.125	1.630	1.634	.313	#	710321★	S	45.00	62.00	62.10	9.00	47
710286★◄➔	N	42.00	67.00	67.20	10.00	32			1.772	2.441	2.445	.354	
		1.654	2.638	2.646	.394		710322★	S	48.00	62.00	62.20	6.00	34
710287★◄➔	N	40.00	54.00	54.20	10.00	32			1.890	2.441	2.449	.236	
		1.575	2.126	2.134	.394		710323★	S	51.00	63.00	63.20	8.50	49
710288★◄	S	93.00	114.00	114.20	14.00	32			2.008	2.480	2.488	.335	
		3.661	4.488	4.496	.551		710324★◄	S	35.00	50.00	50.20	11.00	32
710289★➔	S	45.00	67.00	67.20	8.00	32			1.378	1.969	1.976	.433	
		1.772	2.638	2.646	.315		710325★➔	S	28.00	40.00	40.20	7.00	32
710290★◄	V	100.00	124.00	124.20	13.00	32			1.102	1.575	1.583	.276	
		3.937	4.882	4.890	.512		710326★	S	40.00	64.00	64.10	12.00	66
710291★◄	N	41.00	63.00	63.20	9.00	40			1.575	2.520	2.524	.472	
		1.614	2.480	2.488	.354		710327★➔	S	32.00	48.00	48.20	7.00	32
710292★	S	52.00	68.00	68.10	6.50	#			1.260	1.890	1.898	.276	
		2.047	2.677	2.681	.256		710328★	S	33.00	50.00	50.20	7.00	35
710293★	S	81.50	89.80	-	2.50	#			1.299	1.969	1.976	.276	
		3.209	3.535	-	.098		710329★◄	H	35.00	50.00	50.20	8.00	32
710294★	S	84.00	100.00	100.10	10.00	47			1.378	1.969	1.976	.315	
		3.307	3.937	3.941	.394		710330★	N	85.00	113.00	113.20	10.50	#
710295★	S	106.00	123.00	123.10	11.00	47			3.346	4.449	4.457	.413	
		4.173	4.843	4.846	.433		710331★◄	V	35.00	54.00	54.20	8.00	32
710296★	S	48.00	108.50	108.70	13.00	#			1.378	2.126	2.134	.315	
		1.890	4.272	4.280	.512		710332★◄	N	31.00	46.00	46.20	8.00	32
710297★	S	18.00	23.00	23.20	4.00	34			1.220	1.811	1.819	.315	
		.709	.906	.913	.157		710333★◄	S	60.00	80.00	80.20	8.00	32
710298★➔	N	42.00	63.00	63.20	9.00	40			2.362	3.150	3.157	.315	
		1.654	2.480	2.488	.354								

For Illustration and Material Data See Technical Section

Designed For A Specific Application - Not Recommended For General Use ➔ Hydrodynamic Lip Design-CW ◄ Hydrodynamic Lip Design-CCW

◄➔ Hydrodynamic Lip Design-Bidirectional & Flanged O.D. * Call 1-800-480-1212 For Price and Delivery ★ Metric Seal

Part No.	Lip Mat'l	Shaft Size	Hsg. Bore	Seal O.D.	Seal Width	Type/Illus.	Part No.	Lip Mat'l	Shaft Size	Hsg. Bore	Seal O.D.	Seal Width	Type/Illus.
710300 SERIES (cont.)							710300 SERIES (cont.)						
710334★◄	N	68,00	86,00	86,20	8,00	32	710370★	S	32,00	43,00	43,20	7,00	32
		2.677	3.386	3.394	.315				1.260	1.693	1.701	.276	
710335★	S	35,00	65,00	65,20	12,00	32	710371★	S	101,00	114,00	114,10	10,00	25
		1.378	2.559	2.567	.472				3.976	4.488	4.492	.394	
710336★◄	N	35,00	68,00	68,20	9,00	40	710372★	S	115,00	156,00	156,10	28,00	#
		1.378	2.677	2.685	.354				4.528	6.142	6.146	1.102	
710337★	S	47,00	72,20	72,40	6,00	34	710373★	S	65,00	85,00	85,10	10,00	47
		1.850	2.843	2.850	.236				2.559	3.346	3.350	.394	
710338★	S	39,00	52,00	52,10	6,00	66	710374★	S	49,00	100,00	100,20	8,00	#
		1.535	2.047	2.051	.236				1.929	3.937	3.945	.315	
710339★	S	70,00	112,00	112,10	14,00	25	710375★	S	76,00	102,00	102,20	9,50	#
		2.756	4.409	4.413	.551				2.992	4.016	4.024	.374	
710340★	V	30,20	42,00	42,10	6,00	44	710376★	S	75,00	112,00	112,10	10,00	#
		1.189	1.654	1.657	.236				2.953	4.409	4.413	.394	
710341★◄	S	36,00	50,00	50,20	8,00	32	710377★	S	46,00	94,50	94,70	8,00	#
		1.417	1.969	1.976	.315				1.811	3.720	3.728	.315	
710342★➔	S	20,00	47,00	47,20	8,50	32	710378★	S	68,00	82,00	82,20	7,00	35
		.787	1.850	1.858	.335				2.677	3.228	3.236	.276	
710343★	S	36,00	46,00	46,10	9,00	33	710379★	S	60,00	72,00	72,10	7,50	47
		1.417	1.811	1.815	.354				2.362	2.835	2.839	.295	
710344★	S	17,40	30,00	30,20	7,00	32	710380★	S	130,00	150,00	150,10	10,00	47
		.685	1.181	1.189	.276				5.118	5.906	5.909	.394	
710345★➔	S	45,00	68,00	68,20	12,00	32	710381★%	S	124,00	170,00	-	14,50	#
		1.772	2.677	2.685	.472				4.882	6.693	-	.571	
710346★	S	15,00	20,00	20,10	5,00	49	710382★	S	56,00	66,00	66,20	17,00	#
		.591	.787	.791	.197				2.205	2.598	2.606	.669	
710347★◄	S	28,00	38,00	38,20	10,00	32	710383★	S	35,00	44,00	44,10	7,00	47
		1.102	1.496	1.504	.394				1.378	1.732	1.736	.276	
710348★	S	13,00	22,00	22,20	6,00	32	710384★	S	75,00	100,00	100,10	13,00	25
		.512	.866	.874	.236				2.953	3.937	3.941	.512	
710349★◄	V	105,00	135,00	135,20	14,50	#	710385	S	1.675	2.000	2.175	.200	#
		4.134	5.315	5.323	.571		710386★➔	H	42,00	56,00	56,20	7,00	32
710350★➔	V	60,00	82,00	82,20	12,00	#			1.654	2.205	2.213	.276	
		2.362	3.228	3.236	.472		710387★	S	43,00	65,04	65,14	9,50	47
710351★◄	H	100,00	135,00	135,20	10,00	32			1.693	2.561	2.565	.374	
		3.937	5.315	5.323	.394		710388➔	S	1.875	2.716	2.725	.394	32
710352★◄	V	95,00	113,00	113,10	10,00	47	710389	S	1.750	2.500	2.504	.484	7S
		3.740	4.449	4.453	.394								
710353★➔	S	37,00	58,00	58,10	10,00	66	710390★➔	N	60,00	82,00	82,20	10,00	32
		1.457	2.283	2.287	.394				2.362	3.228	3.236	.394	
710354★➔	N	50,00	65,00	65,20	8,00	32	710391★◄	H	100,00	135,00	135,20	15,00	94
		1.969	2.559	2.567	.315				3.937	5.315	5.323	.591	
710355★➔	N	37,00	50,50	50,70	7,00	32	710392★	S	62,00	74,00	74,10	7,00	#
		1.457	1.988	1.996	.276				2.441	2.913	2.917	.276	
710356★➔	S	48,00	60,00	60,20	9,00	32	710393★	S	56,00	72,00	72,20	8,00	#
		1.890	2.362	2.370	.354				2.205	2.835	2.843	.315	
710357★	S	50,00	67,00	67,20	9,00	47	710394★	S	46,00	62,00	62,20	20,50	#
		1.969	2.638	2.646	.354				1.811	2.441	2.449	.807	
*710358	N	1.625	2.374	2.378	.500	45	710395	S	2.750	3.779	3.784	.762	06
710359★◄	S	30,00	45,00	45,20	8,00	#	710396★◄➔	S	35,00	56,00	56,20	9,00	40
		1.181	1.772	1.780	.315				1.378	2.205	2.213	.354	
710360★	S	35,00	72,00	72,28	10,00	35	710397★	N	46,50	90,00	90,20	12,00	#
		1.378	2.835	2.846	.394				1.831	3.543	3.551	.472	
710361★	S	17,00	20,80	20,90	3,10	44	710398★	S	50,00	72,00	72,20	10,00	#
		.669	.819	.823	.122				1.969	2.835	2.843	.394	
710362★	S	17,00	25,00	25,10	5,00	49	710399★➔	S	26,00	42,00	42,20	8,00	32
		.669	.984	.988	.197				1.024	1.654	1.661	.315	
710363★◄	V	84,00	118,00	118,10	7,00	#	710400 SERIES						
		3.307	4.646	4.650	.276		710400★	S	58,00	75,00	75,10	9,00	47
710364★	N	45,00	98,00	98,10	10,50	#			2.283	2.953	2.957	.354	
		1.772	3.858	3.862	.413		710401★	S	30,00	37,00	37,30	3,50	#
710365%	S	2,000	2,720	-	.210	#			1.181	1.457	1.461	.138	
710366★◄	H	106,00	126,00	126,20	12,00	32	710402★	S	41,00	68,00	68,20	13,00	#
		4.173	4.961	4.969	.472				1.614	2.677	2.685	.512	
710367★➔	S	65,00	88,00	88,20	12,00	40	710403★	S	42,00	62,00	62,10	12,00	#
		2.559	3.465	3.472	.472				1.654	2.441	2.445	.472	
710368★	S	138,00	152,00	152,10	12,00	47	710404★	S	39,00	54,00	54,10	6,00	49
		5.433	5.984	5.988	.472				1.535	2.126	2.130	.236	
710369★	S	145,00	164,00	164,10	14,00	47	710405★	S	124,00	146,00	146,10	14,00	47
		5.709	6.457	6.461	.551				4.882	5.748	5.752	.551	

NUMERICAL SECTION

For Illustration and Material Data See Technical Section

Designed For A Specific Application - Not Recommended For General Use ➔ Hydrodynamic Lip Design-CW ◄ Hydrodynamic Lip Design-CCW
 ◄➔ Hydrodynamic Lip Design-Bidirectional % External Bore * Call 1-800-480-1212 For Price and Delivery ★ Metric Seal

Numerical List Size & Type

NATIONAL®



Part No.	Lip Mat'l	Shaft Size	Hsg. Bore	Seal O.D.	Seal Width	Type/ Illus.	Part No.	Lip Mat'l	Shaft Size	Hsg. Bore	Seal O.D.	Seal Width	Type/ Illus.
710400 SERIES (cont.)							710400 SERIES (cont.)						
710406★	S	140,00	170,00	170,10	14,00	47	710456	S	2.835	.000	3.709	.409	#
		5.512	6.693	6.697	.551		710457	V	3.000	4.003	4.008	.312	86
710407★	S	51,00	62,00	62,10	7,00	33	*710500	S	6.110	7.187	7.192	.400	230
		2.008	2.441	2.445	.276		710501	S	1.850	.000	2.440	.405	#
710408★	N	42,00	62,00	62,20	8,00	32	710502	S	1.688	.000	2.551	.595	#
		1.654	2.441	2.449	.315		710504	S	1.142	.000	1.457	.197	35
710409%	S	1.813	2.408	-	.300	#	710505	S	1.575	.000	2.293	.236	32
710410★	S	100,00	114,00	114,10	12,00	47	710506	S	2.088	.000	2.777	.500	86
		3.937	4.488	4.492	.472		710507	S	2.088	.000	2.915	.500	71
710411★	S	128,00	146,00	146,10	10,00	47	710508	S	2.324	.000	3.546	.591	71
		5.039	5.748	5.752	.394		710509	S	1.496	.000	2.362	.433	#
710412★	S	18,00	34,00	34,20	8,00	32	710510	N	1.497	.000	2.226	.472	#
		.709	1.339	1.346	.315		710511	V	1.044	.000	1.713	.275	32
710413	N	2.172	3.125	3.130	.675	#	710512	N	1.594	.000	2.291	.354	40
710414	T	1.500	2.500	2.500	.375	#	710513	V	1.694	.000	2.462	.433	#
710415★➔	S	32,00	50,00	50,23	8,00	32	710514	S	3.506	.000	4.117	.453	41
		1.260	1.969	1.978	.315		710515	T	1.340	.000	1.910	.275	32
710416★	S	34,00	48,00	48,28	7,50	35	710516	S	1.181	.000	2.409	.354	#
		1.339	1.890	1.901	.295		710517	S	1.654	2.283	2.291	.472	#
710417★	N	34,00	50,00	50,20	8,00	35	710519	S	2.561	.000	3.979	.532	#
		1.339	1.969	1.976	.315		710520	V	3.800	.000	4.590	.394	32
710418★	N	34,00	53,00	53,28	8,00	32	710521	V	1.790	.000	2.488	.275	32
		1.339	2.087	2.098	.315		710522	S	2.087	.000	2.805	.354	35
710419★	S	35,00	63,00	63,28	10,00	#	710523	S	1.575	.000	2.835	.433	#
		1.378	2.480	2.491	.394		710524	S	1.457	.000	2.186	.315	47
710420★➔	S	50,00	68,00	68,20	9,00	32	710525	S	1.732	2.913	2.921	.433	#
		1.969	2.677	2.685	.354		710526	V	3.950	.000	4.689	.370	32
710422★	S	34,00	62,00	62,20	10,00	35	710527	S	2.047	.000	2.717	.583	#
		1.339	2.441	2.449	.394		710528	S	2.402	.000	3.071	.531	#
710424★	S	35,00	60,00	60,23	10,00	35	710529	S	1.969	2.571	2.583	.315	#
		1.378	2.362	2.371	.394		710562	S	6.775	7.875	7.880	.360	230
710425	S	5.428	6.500	6.505	.420	230	710800	S	9.466	10.875	10.891	.375	230
710426	S	1.465	2.372	2.374	.433	#	710925	S	11.006	12.875	12.891	.625	230
710428	V	1.750	2.621	2.625	.937	87	710928	N	1.938	2.680	.000	.500	#
710429	V	1.380	2.288	2.291	.750	87	711000 SERIES						
710430&	S	2.325	3.125	3.130	.313	#	711000	S	11.586	13.687	13.703	.562	230
710431	S	1.693	2.480	2.488	.394	#	711181	V	1.614	2.205	.000	.315	32
710432★	S	40,00	57,00	57,20	10,00	32	711200	S	13.797	15.500	15.516	.437	230
		1.575	2.244	2.252	.394		711552	N	1.552	2.502	2.506	.312	47
710433	S	1.102	2.087	2.091	.378	#	711553★➔	N	2.375	3.875	3.881	1.060	74
710435★	S	38,00	65,00	65,20	8,00	32	712000 SERIES						
		1.496	2.559	2.567	.315		712000	N	3.000	5.750	5.764	.413	#
710436★➔	N	40,50	52,50	52,70	6,00	35	712001★➔	N	30,00	46,00	46,30	8,00	32
		1.594	2.067	2.075	.236				1.181	1.811	1.823	.315	
710437★	S	50,00	75,00	75,10	9,00	47	712003★◀	V	120,00	140,00	140,30	13,00	32
		1.969	2.953	2.957	.354				4.724	5.512	5.524	.512	
710438★	S	54,00	76,00	76,20	14,00	#	712004★◀	V	105,00	130,00	130,25	12,00	32
		2.126	2.992	3.000	.551				4.134	5.118	5.128	.472	
710439★	S	58,00	73,00	73,10	8,50	#	712005★➔	H	65,00	84,00	84,30	9,00	32
		2.283	2.874	2.878	.335				2.559	3.307	3.319	.354	
710440★	S	68,00	90,00	90,10	12,00	47	712006★◀	H	60,00	82,00	82,20	12,00	32
		2.677	3.543	3.547	.472				2.362	3.228	3.236	.472	
710441&	N	1.465	2.372	2.374	1.508	#	712007★	V	25,00	35,00	35,25	7,00	32
710442★➔	N	42,00	59,00	59,10	7,00	48			.984	1.378	1.388	.276	
		1.654	2.323	2.327	.276		712008★	H	28,00	42,00	42,20	8,00	32
710443★	N	40,00	54,89	55,00	13,00	#			1.102	1.654	1.661	.315	
		1.575	2.161	2.165	.512		712009★	V	27,00	40,00	40,20	8,00	32
710444★◀	S	40,00	53,90	54,00	6,00	32			1.063	1.575	1.583	.315	
		1.575	2.122	2.126	.236		712010★➔	H	48,00	70,00	70,25	9,00	32
710445★	S	19,00	34,93	35,00	8,00	35			1.890	2.756	2.766	.354	
		.748	1.375	1.378	.315		712011★	S	40,00	75,00	75,20	12,00	32
710446★➔	S	68,00	88,00	88,20	8,00	35			1.575	2.953	2.961	.472	
		2.677	3.465	3.472	.315		712012	V	.984	1.752	1.756	.313	#
710447	N	2.000	2.750	2.754	.325	47	712013	S	1.000	1.752	1.756	.313	#
710450	N	.787	1.260	1.268	.197	32	712014	S	.750	1.250	1.254	.375	#
710451	N	1.535	.000	2.094	.315	32	712015	V	.875	1.375	1.379	.250	#
710452	V	1.875	3.160	3.165	.530	72	712016	S	1.000	1.499	1.503	.250	#
710453	N	1.890	2.810	.000	.700	#							
710454	V	3.543	.000	4.724	.630	#							
710455	S	1.312	1.627	.000	.331	#							

For Illustration and Material Data See Technical Section

Designed For A Specific Application - Not Recommended For General Use ➔ Hydrodynamic Lip Design-CW ◀ Hydrodynamic Lip Design-CCW

Part No.	Lip Mat'l	Shaft Size	Hsg. Bore	Seal O.D.	Seal Width	Type/ Illus.	Part No.	Lip Mat'l	Shaft Size	Hsg. Bore	Seal O.D.	Seal Width	Type/ Illus.
712000 SERIES (cont.)							712100 SERIES (cont.)						
712017	S	.625	1.124	1.128	.375	#	*712136	S	2.187	2.875	2.883	.500	32
712018★	S	24.99	40.54	40.64	6.35	#	*712137	N	5.000	5.750	5.758	.437	33
		.984	1.596	1.600	.250		*712138★	N	77.00	100.10	100.30	11.00	35
712019	S	.500	.875	.879	.313	#			3.031	3.941	3.949	.433	
712020★◄	N	40.00	75.00	75.26	18.00	32	*712139	S	1.500	2.000	2.010	.219	35
		1.575	2.953	2.963	.709		*712140	S	1.125	1.563	1.583	.375	35
712021	S	.312	.749	.753	.250	#	*712141►	T	1.437	2.059	2.065	.315	32
712022	S	.312	.686	.690	.313	#	*712142◄	T	3.110	3.750	3.760	.437	32
712023	V	1.500	2.311	2.315	.500	#	*712143	S	1.687	2.875	2.885	.625	32
712024	S	.625	1.124	1.128	.375	#	*712144	S	1.546	2.375	2.385	.500	32
712025	S	1.250	1.750	1.754	.250	#	*712145	S	2.312	3.125	3.135	.375	35
712026	S	1.000	1.375	1.379	.250	#							
712027	S	.750	1.250	1.254	.250	#	712146◄►	S	1.687	2.560	2.579	.470	25
712028	S	.562	.750	.754	.094	#	*712147	V	.875	1.375	1.379	.375	43
712100 SERIES							712200 SERIES						
712100◄	T	3.125	3.750	3.768	.437	PDW	712250	V	2.250	3.000	3.005	.375	47
712101►	T	2.625	3.375	3.390	.375	FW-H	712260	S	1.750	2.810	2.814	.315	47
712102►	T	1.875	2.625	2.640	.433	FW-H	712270	S	.875	1.436	1.441	.256	48
712103►	T	2.625	3.516	3.533	.394	PDW	712375	N	2.375	4.064	4.069	1.092	90
712104★►	T	28.00	38.00	38.25	7.00	PDW	712449◄	V	4.812	5.543	5.551	.472	32
		1.102	1.496	1.506	.276		712511★►	V	68.00	89.00	89.20	11.00	32
*712105★◄	T	100.00	120.00	120.25	11.00	W			2.677	3.504	3.512	.433	
		3.937	4.724	4.734	.433		712512◄	N	2.250	3.252	3.260	.551	#
712106★	T	120.00	140.00	140.20	13.00	32	712516★►	N	47.60	68.00	68.30	14.00	#
		4.724	5.512	5.520	.512				1.875	2.677	2.689	.551	
712107★►	T	105.00	130.00	130.16	11.00	FW-H	712551★	S	40.00	56.00	56.26	8.00	32
		4.134	5.118	5.124	.433				1.575	2.205	2.215	.315	
712108★►	T	68.00	90.00	90.15	10.00	FW-H	712598	S	2.598	3.999	4.004	.780	47
		2.677	3.543	3.549	.394								
712109★◄	T	127.00	152.40	152.80	15.00	FW-H	712625	N	2.625	4.064	4.069	.960	90
		5.000	6.000	6.016	.591		712692	V	1.874	2.559	2.569	.335	#
712110★◄	T	156.00	180.00	180.20	15.00	W	712750	V	3.500	4.501	4.506	.468	41
		6.142	7.087	7.094	.591		712937	N	2.937	4.939	4.944	1.250	90
712111★►	T	80.00	100.00	100.40	10.00	FW-H	712938	S	2.205	2.874	2.883	.866	#
		3.150	3.937	3.953	.394		713000 SERIES						
712112★◄	T	110.00	130.00	130.40	13.00	W	713103►	V	2.180	3.190	3.194	.620	69
		4.331	5.118	5.134	.512		713163★◄	S	114.00	135.00	135.25	13.00	47
712113★►	T	60.00	75.00	75.50	10.00	FW-H			4.488	5.315	5.325	.512	
		2.362	2.953	2.972	.394		713655★◄	N	35.00	52.00	52.35	7.75	32
712114★◄	T	130.00	150.00	150.40	13.00	FW-H			1.378	2.047	2.061	.305	
		5.118	5.906	5.921	.512		713750	V	3.750	4.500	4.506	.468	69
712115★►	T	80.00	100.00	100.40	13.00	FW-H	713771★►	V	35.00	50.00	50.34	7.00	35
		3.150	3.937	3.953	.512				1.378	1.969	1.982	.276	
712116►	T	3.500	4.331	4.346	.472	FW-H	714000 SERIES						
712118★◄	T	160.00	190.00	190.40	13.00	FW-H	714075	H	1.771	2.500	2.504	.359	#
		6.299	7.480	7.496	.512		714436★	S	35.00	48.00	48.20	8.00	32
712119★►	T	94.90	120.00	120.40	13.00	FW-H			1.378	1.890	1.898	.315	
		3.736	4.724	4.740	.512		714470	V	3.125	4.003	4.008	.500	48
712120★►	T	80.00	100.00	100.40	13.00	FW-H	714489	V	3.750	4.499	4.506	.468	96
		3.150	3.937	3.953	.512		714503	N	1.886	2.756	2.756	.823	#
*712121	T	2.500	3.500	3.510	.475	#	714512◄►	N	2.375	4.498	4.504	.391	87
712122★◄	T	156.00	180.00	180.40	15.00	FW-H	714558◄►	V	1.399	2.484	2.489	.280	#
		6.142	7.087	7.102	.591		714559◄►	V	1.399	2.484	2.489	.500	74
712123★►	T	80.00	100.00	100.40	13.00	FW-H	*714561◄	V	2.503	3.428	3.439	.800	#
		3.150	3.937	3.953	.512		714569◄►	V	1.574	2.410	2.415	.540	#
712124★►	T	90.00	110.00	110.40	12.00	FW-H							
		3.543	4.331	4.346	.472		714616★	V	16.00	44.75	44.96	9.00	#
712125★►	T	54.00	73.00	73.40	12.75	FW-H			.630	1.762	1.770	.354	
		2.126	2.874	2.890	.502		714619★	S	30.00	48.00	48.30	8.00	35
712126◄	T	3.110	3.898	3.913	.378	FW-H			1.181	1.890	1.902	.315	
*712127	S	.622	1.559	1.567	.453	32	714654◄	N	2.000	2.996	3.003	.438	47
*712128	S	.593	1.000	1.008	.203	32	714655►	N	1.375	1.981	1.989	.252	48
*712129	F	1.562	2.094	2.098	.312	#	714662★	V	16.00	27.23	27.33	9.00	47
*712130	S	3.500	6.000	6.008	1.546	#			.630	1.072	1.076	.354	
*712131	S	3.250	3.781	3.785	.593	#	714670◄	N	2.500	3.500	3.504	.450	47
*712132	N	.625	1.687	1.691	.750	#	714675◄►	V	1.843	2.748	2.751	.425	#
*712133	S	1.187	1.718	1.722	.550	#	714679◄►	N	1.605	2.560	2.565	.693	#
*712134	N	1.440	2.756	2.764	.551	35	714713◄►	V	4.000	4.999	5.004	.469	96
*712135	F	1.312	2.097	2.105	.375	#	714750	V	4.750	5.751	5.756	.500	48

NUMERICAL SECTION

For Illustration and Material Data See Technical Section
 # Designed For A Specific Application - Not Recommended For General Use ► Hydrodynamic Lip Design-CW ◄ Hydrodynamic Lip Design-CCW
 ◄► Hydrodynamic Lip Design-Bidirectional * Call 1-800-480-1212 For Price and Delivery ★ Metric Seal

Numerical List Size & Type

NATIONAL®



Part No.	Lip Mat'l	Shaft Size	Hsg. Bore	Seal O.D.	Seal Width	Type/ Illus.	Part No.	Lip Mat'l	Shaft Size	Hsg. Bore	Seal O.D.	Seal Width	Type/ Illus.
714000 SERIES (cont.)							METRIC SERIES (cont.)						
714810	V	3.003	3.751	3.761	.570	#	*5X22X7	S	5,00	21,80	22,00	7,00	32
715000 SERIES													
*715000	H	5.000	6.001	6.006	.500	#	*5.5X18X8	S	5,50	17,80	18,00	8,00	32
715100	S	1.875	3.150	3.155	.250	#	*5.5X22X8	S	5,50	21,80	22,00	8,00	32
*715101%	S	1.370	1.375	2.438	.250	#							
715319	N	3.500	5.126	5.131	.625	47	6X16X5	S	6,00	16,00	16,20	5,00	35
716000 SERIES													
716102	H	85,00	105,00	105,28	10,00	32	6X16X7	S	6,00	16,00	16,28	7,00	35
716445	V	75,00	95,00	95,27	10,00	35	*6X16X7V	V	6,00	16,00	16,20	7,00	35
716484	V	48,00	65,00	65,30	10,00	32	*6X17X7	S	6,00	16,80	17,00	7,00	32
717000 SERIES													
*717003	S	100,00	123,85	123,98	12,70	41	*6X18X6	S	6,00	17,80	18,00	6,00	32
717004	S	120,00	140,00	140,25	12,00	48	*6X18X7	S	6,00	17,80	18,00	7,00	32
717005	S	95,00	110,00	110,26	11,00	32	*6X18X7	S	6,00	17,80	18,00	7,00	32
717006	S	95,00	115,00	115,25	10,00	45	*6X19X7	S	6,00	18,80	19,00	7,00	32
718610	N	.562	1.004	1.008	.254	47	*6X20X5.5	S	6,00	19,80	20,00	5,50	32
719316	V	1.875	3.160	3.165	.720	72	*6X21X7	S	6,00	20,80	21,00	7,00	32
720000 SERIES													
722108	N	1.312	1.625	1.662	.156	VRS1	6X22X7	S	6,00	22,00	22,28	7,00	35
722109	S	2.250	2.675	2.733	.539	VRS1	*6X26X7	S	6,00	25,80	26,00	7,00	32
722250	N	2.250	4.064	4.069	1.092	90	*6X35X7	S	6,00	34,80	35,00	7,00	32
727410	S	.750	1.000	1.004	.125	44	*6.5X14.5X7	S	6,50	14,30	14,50	7,00	32
900000 SERIES													
*907091	T	5.125	5.999	6.006	.413	90	*6.8X22X7	S	6,80	21,80	22,00	7,00	32
910000 SERIES													
*914411	T	6.625	8.000	8.007	.750	91	7X16X7	S	7,00	16,00	16,28	7,00	32
*914412	T	6.625	8.000	8.007	.750	91	*7X16X7V	V	7,00	16,00	16,20	7,00	35
*914413	T	6.625	8.000	8.007	1.000	91	*7X17X7	S	7,00	16,80	17,00	7,00	32
940000 SERIES													
*947090	T	5.125	5.999	6.006	.413	94	*7X18X7	S	7,00	17,80	18,00	7,00	32
METRIC SERIES													
*4.5X16X5	S	4,50	15,80	16,00	5,00	32	*7X19X7	S	7,00	18,80	19,00	7,00	32
*4.5X16X7	S	4,50	15,80	16,00	7,00	32	*7X22X6	S	7,00	21,80	22,00	6,00	32
*4.5X17X7	S	4,50	16,80	17,00	7,00	32	*7X22X8	S	7,00	21,80	22,00	8,00	32
*4.8X15X5	S	4,80	14,80	15,00	5,00	32	7X22X7	S	7,00	22,00	22,28	7,00	35
*5X15X6	S	5,00	14,80	15,00	6,00	32	*7X31X7	S	7,00	30,80	31,00	7,00	32
*5X16X6	S	5,00	15,80	16,00	6,00	32	*8X14X7	S	8,00	13,80	14,00	7,00	32
*5X16X5	S	5,00	16,00	16,20	5,00	32	8X14X4	S	8,00	14,00	14,20	4,00	35
*5X17X7	S	5,00	16,80	17,00	7,00	32	*8X14X5	S	8,00	14,00	14,20	5,00	32
*5X18X6	S	5,00	17,80	18,00	6,00	32	*8X15X5	S	8,00	14,80	15,00	5,00	32
*5X18X7	S	5,00	17,80	18,00	7,00	32	*8X16X5	S	8,00	15,80	16,00	5,00	32
*5X18X10	S	5,00	17,80	18,00	10,00	32	*8X16X6	S	8,00	15,80	16,00	6,00	32
*5X19X7	S	5,00	18,80	19,00	7,00	32	8X16X7	S	8,00	16,00	16,23	7,00	35
		.197	.740	.748	.276		*8X17X7	S	8,00	16,80	17,00	7,00	32
							*8X18X6	S	8,00	17,80	18,00	6,00	32

For Illustration and Material Data See Technical Section

Designed For A Specific Application - Not Recommended For General Use ◀ Hydrodynamic Lip Design-CW ▶ Hydrodynamic Lip Design-CCW % External Bore

* Call 1-800-480-1212 For Price and Delivery ★ Metric Seal

Part No.	Lip Mat'l	Shaft Size	Hsg. Bore	Seal O.D.	Seal Width	Type/ Illus.	Part No.	Lip Mat'l	Shaft Size	Hsg. Bore	Seal O.D.	Seal Width	Type/ Illus.
METRIC SERIES (cont.)							METRIC SERIES (cont.)						
*8X18X8	S	8,00	17,80	18,00	8,00	32	*10X18X4	S	10,00	17,80	18,00	4,00	32
		.315	.701	.709	.315				.394	.701	.709	.157	
8X18X5	S	8,00	18,00	18,20	5,00	35	*10X18X5	S	10,00	17,80	18,00	5,00	32
		.315	.709	.717	.197				.394	.701	.709	.197	
8X18X7	S	8,00	18,00	18,20	7,00	32	*10X18X6	S	10,00	17,80	18,00	6,00	32
		.315	.709	.717	.276				.394	.701	.709	.236	
*8X19X7	S	8,00	18,80	19,00	7,00	32	*10X18X7	S	10,00	17,80	18,00	7,00	32
		.315	.740	.748	.276				.394	.701	.709	.276	
*8X20X7	S	8,00	19,80	20,00	7,00	32	10X19X7	S	10,00	19,00	19,20	7,00	32
		.315	.779	.787	.276				.394	.748	.756	.276	
*8X22X6	S	8,00	21,80	22,00	6,00	32	*10X20X5	S	10,00	19,80	20,00	5,00	32
		.315	.858	.866	.236				.394	.779	.787	.197	
8X22X7	S	8,00	22,00	22,28	7,00	32	*10X20X6	S	10,00	19,80	20,00	6,00	32
		.315	.866	.877	.276				.394	.779	.787	.236	
*8X22X7V	V	8,00	22,00	22,20	7,00	32	*10X20X7	S	10,00	19,80	20,00	7,00	32
		.315	.866	.874	.276				.394	.779	.787	.276	
*8X23X5	S	8,00	22,80	23,00	5,00	32	*10X21X4	S	10,00	20,80	21,00	4,00	32
		.315	.898	.906	.197				.394	.819	.827	.157	
8X24X7	S	8,00	24,00	24,28	7,00	35	*10X21X6	S	10,00	20,80	21,00	6,00	32
		.315	.945	.956	.276				.394	.819	.827	.236	
*8X25X7	S	8,00	24,80	25,00	7,00	32	*10X21X7	S	10,00	20,80	21,00	7,00	32
		.315	.976	.984	.276				.394	.819	.827	.276	
*8X25X8	S	8,00	24,80	25,00	8,00	32	*10X22X5	S	10,00	21,80	22,00	5,00	32
		.315	.976	.984	.315				.394	.858	.866	.197	
*8X25X9	S	8,00	24,80	25,00	9,00	32	*10X22X6	S	10,00	21,80	22,00	6,00	32
		.315	.976	.984	.354				.394	.858	.866	.236	
*8X26X7	S	8,00	25,80	26,00	7,00	32	10X22X7	S	10,00	22,00	22,28	7,00	32
		.315	1.016	1.024	.276				.394	.866	.877	.276	
*8X30X6	S	8,00	29,80	30,00	6,00	32	*10X22X7V	V	10,00	22,00	22,20	7,00	35
		.315	1.173	1.181	.236				.394	.866	.874	.276	
*8X30X7	S	8,00	29,80	30,00	7,00	32	*10X23X7	S	10,00	22,80	23,00	7,00	32
		.315	1.173	1.181	.276				.394	.898	.906	.276	
*8X34X8	S	8,00	33,80	34,00	8,00	32	*10X23X8	S	10,00	22,80	23,00	8,00	32
		.315	1.331	1.339	.315				.394	.898	.906	.315	
*8.85X17X5	S	8,85	16,80	17,00	5,00	32	*10X24X6	S	10,00	23,80	24,00	6,00	32
		.348	.661	.669	.197				.394	.937	.945	.236	
*8.85X20X5	S	8,85	19,80	20,00	5,00	32	10X24X7	S	10,00	24,00	24,23	7,00	35
		.348	.779	.787	.197				.394	.945	.954	.276	
*9X16X5.5	S	9,00	15,80	16,00	5,50	32	*10X25X5	S	10,00	24,80	25,00	5,00	32
		.354	.622	.630	.217				.394	.976	.984	.197	
9X18X7	S	9,00	18,00	18,20	7,00	35	*10X25X10	S	10,00	24,80	25,00	10,00	32
		.354	.709	.717	.276				.394	.976	.984	.394	
*9X19X5	S	9,00	18,80	19,00	5,00	32	10X25X7	S	10,00	25,00	25,28	7,00	32
		.354	.740	.748	.197				.394	.984	.995	.276	
*9X19X7	S	9,00	18,80	19,00	7,00	32	*10X26X8	S	10,00	25,80	26,00	8,00	32
		.354	.740	.748	.276				.394	1.016	1.024	.315	
*9X20X7	S	9,00	19,80	20,00	7,00	32	10X26X7	S	10,00	26,00	26,23	7,00	32
		.354	.779	.787	.276				.394	1.024	1.033	.276	
9X22X7	S	9,00	22,00	22,20	7,00	35	*10X28X7	S	10,00	27,80	28,00	7,00	32
		.354	.866	.874	.276				.394	1.094	1.102	.276	
*9X22X7V	V	9,00	22,00	22,20	7,00	35	*10X28X8	S	10,00	27,80	28,00	8,00	32
		.354	.866	.874	.276				.394	1.094	1.102	.315	
9X24X7	S	9,00	24,00	24,28	7,00	35	*10X30X7	S	10,00	29,80	30,00	7,00	32
		.354	.945	.956	.276				.394	1.173	1.181	.276	
*9X25X7	S	9,00	24,80	25,00	7,00	32	*10X30X10	S	10,00	29,80	30,00	10,00	32
		.354	.976	.984	.276				.394	1.173	1.181	.394	
9X26X7	S	9,00	26,00	26,28	7,00	35	*10X23.5X10	S	10,00	23,30	23,50	10,00	32
		.354	1.024	1.035	.276				.394	.917	.925	.394	
*9X29X7	S	9,00	28,80	29,00	7,00	32	11X17X4	S	11,00	17,00	17,25	4,00	32
		.354	1.134	1.142	.276				.433	.669	.679	.157	
*9X30X7	S	9,00	29,80	30,00	7,00	32	*11X21X7	S	11,00	20,80	21,00	7,00	32
		.354	1.173	1.181	.276				.433	.819	.827	.276	
*10X16X4	S	10,00	15,80	16,00	4,00	32	*11X21X8	S	11,00	20,80	21,00	8,00	32
		.394	.622	.630	.157				.433	.819	.827	.315	
*10X16X4.5	S	10,00	15,80	16,00	4,50	32	11X22X7	S	11,00	22,00	22,28	7,00	32
		.394	.622	.630	.177				.433	.866	.877	.276	
*10X17X5	S	10,00	16,80	17,00	5,00	32	*11X23X7	S	11,00	22,80	23,00	7,00	32
		.394	.661	.669	.197				.433	.898	.906	.276	
*10X17X7	S	10,00	16,80	17,00	7,00	32	*11X25X7	S	11,00	24,80	25,00	7,00	32
		.394	.661	.669	.276				.433	.976	.984	.276	

NUMERICAL SECTION

For Illustration and Material Data See Technical Section
 * Call 1-800-480-1212 For Price and Delivery

Numerical List Size & Type

NATIONAL®



Part No.	Lip Mat'l	Shaft Size	Hsg. Bore	Seal O.D.	Seal Width	Type/Illus.	Part No.	Lip Mat'l	Shaft Size	Hsg. Bore	Seal O.D.	Seal Width	Type/Illus.
METRIC SERIES (cont.)							METRIC SERIES (cont.)						
11X26X7	S	11,00	26,00	26,28	7,00	35	* 12X28X8	S	12,00	27,80	28,00	8,00	32
		.433	1.024	1.035	.276				.472	1.094	1.102	.315	
* 11X28X7	S	11,00	27,80	28,00	7,00	32	12X28X7	S	12,00	28,00	28,20	7,00	35
		.433	1.094	1.102	.276				.472	1.102	1.110	.276	
* 11X29X7	S	11,00	28,80	29,00	7,00	32	* 12X28X7V	V	12,00	28,00	28,20	7,00	35
		.433	1.134	1.142	.276				.472	1.102	1.110	.276	
* 11X30X10	S	11,00	29,80	30,00	10,00	32	* 12X30X5	S	12,00	29,80	30,00	5,00	32
		.433	1.173	1.181	.394				.472	1.173	1.181	.197	
11X30X7	S	11,00	30,00	30,20	7,00	32	* 12X30X9	S	12,00	29,80	30,00	9,00	32
		.433	1.181	1.189	.276				.472	1.173	1.181	.354	
* 11X23.5X7	S	11,00	23,30	23,50	7,00	32	* 12X30X10	S	12,00	29,80	30,00	10,00	32
		.433	.917	.925	.276				.472	1.173	1.181	.394	
* 11.6X19X6	S	11,60	18,80	19,00	6,00	32	12X30X7	S	12,00	30,00	30,20	7,00	32
		.457	.740	.748	.236				.472	1.181	1.189	.276	
* 11.6X24X10	S	11,60	23,80	24,00	10,00	32	* 12X30X7V	V	12,00	30,00	30,20	7,00	35
		.457	.937	.945	.394				.472	1.181	1.189	.276	
* 12X18X5	S	12,00	17,80	18,00	5,00	32	* 12X32X5	S	12,00	31,80	32,00	5,00	32
		.472	.701	.709	.197				.472	1.252	1.260	.197	
* 12X19X7	S	12,00	18,80	19,00	7,00	32	* 12X32X10	S	12,00	31,80	32,00	10,00	32
		.472	.740	.748	.276				.472	1.252	1.260	.394	
12X19X5	S	12,00	19,00	19,20	5,00	32	12X32X7	S	12,00	32,00	32,20	7,00	35
		.472	.748	.756	.197				.472	1.260	1.268	.276	
* 12X20X4	S	12,00	19,80	20,00	4,00	32	* 12X35X10	S	12,00	34,80	35,00	10,00	32
		.472	.779	.787	.157				.472	1.370	1.378	.394	
* 12X20X6	S	12,00	19,80	20,00	6,00	32	12X35X7	S	12,00	35,00	35,20	7,00	32
		.472	.779	.787	.236				.472	1.378	1.386	.276	
* 12X20X7	S	12,00	19,80	20,00	7,00	32	* 12X37X7	S	12,00	36,80	37,00	7,00	32
		.472	.779	.787	.276				.472	1.449	1.457	.276	
12X20X5	S	12,00	20,00	20,28	5,00	32	* 12X23.5X7	S	12,00	23,30	23,50	7,00	32
		.472	.787	.798	.197				.472	.917	.925	.276	
* 12X21X4	S	12,00	20,80	21,00	4,00	32	* 12X25.5X7	S	12,00	25,30	25,50	7,00	32
		.472	.819	.827	.157				.472	.996	1.004	.276	
* 12X21X7	S	12,00	20,80	21,00	7,00	32	* 12X28.5X7	S	12,00	28,30	28,50	7,00	32
		.472	.819	.827	.276				.472	1.114	1.122	.276	
* 12X22X5	S	12,00	21,80	22,00	5,00	32	* 12.45X22X7	S	12,45	21,80	22,00	7,00	32
		.472	.858	.866	.197				.490	.858	.866	.276	
* 12X22X8	S	12,00	21,80	22,00	8,00	32	* 12.5X22X6	S	12,50	21,80	22,00	6,00	32
		.472	.858	.866	.315				.492	.858	.866	.236	
* 12X22X9	S	12,00	21,80	22,00	9,00	32	* 12.5X25X8	S	12,50	24,80	25,00	8,00	32
		.472	.858	.866	.354				.492	.976	.984	.315	
* 12X22X6.5	S	12,00	21,80	22,00	6,50	32	* 12.5X23.5X8	S	12,50	23,30	23,50	8,00	32
		.472	.858	.866	.256				.492	.917	.925	.315	
12X22X7	S	12,00	22,00	22,25	7,00	35	* 12.5X23.5X10	S	12,50	23,30	23,50	10,00	32
		.472	.866	.876	.276				.492	.917	.925	.394	
* 12X22X7V	V	12,00	22,00	22,20	7,00	35	* 12.5X28.5X7	S	12,50	28,30	28,50	7,00	32
		.472	.866	.874	.276				.492	1.114	1.122	.276	
* 12X23X7	S	12,00	22,80	23,00	7,00	32	* 13X20X5	S	13,00	19,80	20,00	5,00	32
		.472	.898	.906	.276				.512	.779	.787	.197	
* 12X24X8	S	12,00	23,80	24,00	8,00	32	* 13X22X5	S	13,00	21,80	22,00	5,00	32
		.472	.937	.945	.315				.512	.858	.866	.197	
12X24X7	S	12,00	24,00	24,23	7,00	32	* 13X22X7	S	13,00	21,80	22,00	7,00	32
		.472	.945	.954	.276				.512	.858	.866	.276	
* 12X25X8	S	12,00	24,80	25,00	8,00	32	13X22X6	S	13,00	22,00	22,20	6,00	32
		.472	.976	.984	.315				.512	.866	.874	.236	
* 12X25X10	S	12,00	24,80	25,00	10,00	32	* 13X23X7	S	13,00	22,80	23,00	7,00	32
		.472	.976	.984	.394				.512	.898	.906	.276	
12X25X4.5	S	12,00	25,00	25,20	4,50	32	* 13X24X7	S	13,00	23,80	24,00	7,00	32
		.472	.984	.992	.177				.512	.937	.945	.276	
12X25X4.5	S	12,00	25,00	25,20	4,50	32	* 13X25X5	S	13,00	24,80	25,00	5,00	32
		.472	.984	.992	.177				.512	.976	.984	.197	
12X25X7	S	12,00	25,00	25,25	7,00	32	* 13X25X7	S	13,00	24,80	25,00	7,00	32
		.472	.984	.994	.276				.512	.976	.984	.276	
* 12X26X8	S	12,00	25,80	26,00	8,00	32	* 13X26X9	S	13,00	25,80	26,00	9,00	32
		.472	1.016	1.024	.315				.512	1.016	1.024	.354	
12X26X7	S	12,00	26,00	26,20	7,00	32	13X26X7	S	13,00	26,00	26,20	7,00	32
		.472	1.024	1.031	.276				.512	1.024	1.031	.276	
* 12X27X9	S	12,00	26,80	27,00	9,00	32	* 13X27X7	S	13,00	27,00	27,20	7,00	32
		.472	1.055	1.063	.354				.512	1.063	1.071	.276	
* 12X27X7	S	12,00	27,00	27,20	7,00	32	13X28X7	S	13,00	28,00	28,20	7,00	32
		.472	1.063	1.071	.276				.512	1.102	1.110	.276	

For Illustration and Material Data See Technical Section
 * Call 1-800-480-1212 For Price and Delivery

Part No.	Lip Mat'l	Shaft Size	Hsg. Bore	Seal O.D.	Seal Width	Type/ Illus.	Part No.	Lip Mat'l	Shaft Size	Hsg. Bore	Seal O.D.	Seal Width	Type/ Illus.
METRIC SERIES (cont.)							METRIC SERIES (cont.)						
* 13X30X8	S	13,00	29,80	30,00	8,00	32	* 14X32X7.5	S	14,00	31,80	32,00	7,50	32
		.512	1.173	1.181	.315				.551	1.252	1.260	.295	
13X30X7	S	13,00	30,00	30,20	7,00	32	* 14X35X8	S	14,00	34,80	35,00	8,00	32
		.512	1.181	1.189	.276				.551	1.370	1.378	.315	
* 13X32X7	S	13,00	31,80	32,00	7,00	32	* 14X35X10	S	14,00	34,80	35,00	10,00	32
		.512	1.252	1.260	.276				.551	1.370	1.378	.394	
* 13X35X7	S	13,00	34,80	35,00	7,00	32	14X35X7	S	14,00	35,00	35,22	7,00	32
		.512	1.370	1.378	.276				.551	1.378	1.387	.276	
* 13.8X24X5	S	13,80	23,80	24,00	5,00	32	* 14X36X7	S	14,00	35,80	36,00	7,00	32
		.543	.937	.945	.197				.551	1.409	1.417	.276	
* 14X21X4	S	14,00	20,80	21,00	4,00	32	* 14X40X7	S	14,00	39,80	40,00	7,00	32
		.551	.819	.827	.157				.551	1.567	1.575	.276	
* 14X22X4	S	14,00	21,80	22,00	4,00	32	* 14X40X10	S	14,00	39,80	40,00	10,00	32
		.551	.858	.866	.157				.551	1.567	1.575	.394	
* 14X22X6	S	14,00	21,80	22,00	6,00	32	* 14X28.5X7	S	14,00	28,30	28,50	7,00	32
		.551	.858	.866	.236				.551	1.114	1.122	.276	
* 14X22X7	S	14,00	21,80	22,00	7,00	32	* 14.5X32X7	S	14,50	31,80	32,00	7,00	32
		.551	.858	.866	.276				.571	1.252	1.260	.276	
* 14X23X6	S	14,00	22,80	23,00	6,00	32	* 14.8X30X7.5	S	14,80	29,80	30,00	7,50	32
		.551	.898	.906	.236				.583	1.173	1.181	.295	
* 14X24X4	S	14,00	23,80	24,00	4,00	32	* 15X21X5	S	15,00	20,80	21,00	5,00	32
		.551	.937	.945	.157				.591	.819	.827	.197	
* 14X24X5	S	14,00	23,80	24,00	5,00	32	* 15X22X4	S	15,00	21,80	22,00	4,00	32
		.551	.937	.945	.197				.591	.858	.866	.157	
* 14X24X6	S	14,00	23,80	24,00	6,00	32	* 15X22X5	S	15,00	21,80	22,00	5,00	32
		.551	.937	.945	.236				.591	.858	.866	.197	
* 14X24X8	S	14,00	23,80	24,00	8,00	32	* 15X22X7	S	15,00	21,80	22,00	7,00	32
		.551	.937	.945	.315				.591	.858	.866	.276	
14X24X7	S	14,00	24,00	24,23	7,00	32	* 15X23X7	S	15,00	22,80	23,00	7,00	32
		.551	.945	.954	.276				.591	.898	.906	.276	
* 14X25X4	S	14,00	24,80	25,00	4,00	32	* 15X24X5	S	15,00	23,80	24,00	5,00	32
		.551	.976	.984	.157				.591	.937	.945	.197	
* 14X25X7	S	14,00	24,80	25,00	7,00	32	* 15X24X6	S	15,00	23,80	24,00	6,00	32
		.551	.976	.984	.276				.591	.937	.945	.236	
* 14X25X9	S	14,00	24,80	25,00	9,00	32	15X24X7	S	15,00	24,00	24,23	7,00	32
		.551	.976	.984	.354				.591	.945	.954	.276	
14X25X5	S	14,00	25,00	25,23	5,00	32	15X25X5	S	15,00	25,00	25,20	5,00	32
		.551	.984	.993	.197				.591	.984	.992	.197	
* 14X26X8	S	14,00	25,80	26,00	8,00	32	15X25X6	N	15,00	25,00	25,25	6,00	32
		.551	1.016	1.024	.315				.591	.984	.994	.236	
14X26X7	S	14,00	26,00	26,23	7,00	32	15X25X7	S	15,00	25,00	25,20	7,00	35
		.551	1.024	1.033	.276				.591	.984	.992	.276	
* 14X27X10	S	14,00	26,80	27,00	10,00	32	* 15X26X6	S	15,00	25,80	26,00	6,00	32
		.551	1.055	1.063	.394				.591	1.016	1.024	.236	
14X27X7	S	14,00	27,00	27,20	7,00	32	* 15X26X8	S	15,00	25,80	26,00	8,00	32
		.551	1.063	1.071	.276				.591	1.016	1.024	.315	
* 14X28X7	S	14,00	27,80	28,00	7,00	32	* 15X26X9	S	15,00	25,80	26,00	9,00	32
		.551	1.094	1.102	.276				.591	1.016	1.024	.354	
* 14X28X7	S	14,00	27,80	28,00	7,00	32	15X26X7	S	15,00	26,00	26,23	7,00	32
		.551	1.094	1.102	.276				.591	1.024	1.033	.276	
14X28X6	S	14,00	28,00	28,23	6,00	32	* 15X27X7	S	15,00	26,80	27,00	7,00	32
		.551	1.102	1.111	.236				.591	1.055	1.063	.276	
* 14X29X7	S	14,00	28,80	29,00	7,00	32	* 15X27X8	S	15,00	26,80	27,00	8,00	32
		.551	1.134	1.142	.276				.591	1.055	1.063	.315	
* 14X30X8	S	14,00	29,80	30,00	8,00	32	* 15X28X6	S	15,00	27,80	28,00	6,00	32
		.551	1.173	1.181	.315				.591	1.094	1.102	.236	
* 14X30X9	S	14,00	29,80	30,00	9,00	32	* 15X28X8	S	15,00	27,80	28,00	8,00	32
		.551	1.173	1.181	.354				.591	1.094	1.102	.315	
* 14X30X10	S	14,00	29,80	30,00	10,00	32	* 15X28X10	S	15,00	27,80	28,00	10,00	32
		.551	1.173	1.181	.394				.591	1.094	1.102	.394	
14X30X7	S	14,00	30,00	30,20	7,00	32	15X28X7	S	15,00	28,00	28,20	7,00	32
		.551	1.181	1.189	.276				.591	1.102	1.110	.276	
* 14X30X7V	V	14,00	30,00	30,20	7,00	35	* 15X29X7	S	15,00	28,80	29,00	7,00	32
		.551	1.181	1.189	.276				.591	1.134	1.142	.276	
* 14X30X7.5	S	14,00	29,80	30,00	7,50	32	* 15X30X5	S	15,00	29,80	30,00	5,00	32
		.551	1.173	1.181	.295				.591	1.173	1.181	.197	
* 14X32X10	S	14,00	31,80	32,00	10,00	32	* 15X30X8	S	15,00	29,80	30,00	8,00	32
		.551	1.252	1.260	.394				.591	1.173	1.181	.315	
14X32X7	S	14,00	32,00	32,20	7,00	32	* 15X30X10	S	15,00	29,80	30,00	10,00	32
		.551	1.260	1.268	.276				.591	1.173	1.181	.394	

NUMERICAL SECTION

For Illustration and Material Data See Technical Section
 * Call 1-800-480-1212 For Price and Delivery

Numerical List Size & Type

NATIONAL®



Part No.	Lip Mat'l	Shaft Size	Hsg. Bore	Seal O.D.	Seal Width	Type/ Illus.	Part No.	Lip Mat'l	Shaft Size	Hsg. Bore	Seal O.D.	Seal Width	Type/ Illus.
METRIC SERIES (cont.)							METRIC SERIES (cont.)						
15X30X7	S	15.00	30.00	30.23	7.00	32	16X24X5	S	16.00	25.00	25.20	5.00	35
		.591	1.181	1.190	.276				.630	.984	.992	.197	
* 15X30X7.5	S	15.00	29.80	30.00	7.50	32	16X24X6	S	16.00	24.00	24.20	6.00	32
		.591	1.173	1.181	.295				.630	.945	.953	.236	
* 15X31X7	S	15.00	30.80	31.00	7.00	32	16X24X7	S	16.00	24.00	24.20	7.00	32
		.591	1.212	1.220	.276				.630	.945	.953	.276	
* 15X32X5	S	15.00	31.80	32.00	5.00	32	* 16X25X5	S	16.00	24.80	25.00	5.00	32
		.591	1.252	1.260	.197				.630	.976	.984	.197	
* 15X32X9	S	15.00	31.80	32.00	9.00	32	* 16X25X6	S	16.00	24.80	25.00	6.00	32
		.591	1.252	1.260	.354				.630	.976	.984	.236	
15X32X7	S	15.00	32.00	32.20	7.00	35	* 16X25X7	S	16.00	24.80	25.00	7.00	32
		.591	1.260	1.268	.276				.630	.976	.984	.276	
* 15X32X7V	V	15.00	32.00	32.20	7.00	35	* 16X26X5	S	16.00	25.80	26.00	5.00	32
		.591	1.260	1.268	.276				.630	1.016	1.024	.197	
* 15X32X7.5	S	15.00	31.80	32.00	7.50	32	* 16X26X6	S	16.00	25.80	26.00	6.00	32
		.591	1.252	1.260	.295				.630	1.016	1.024	.236	
15X32X8	S	15.00	32.00	32.22	8.00	32	* 16X26X6	S	16.00	25.80	26.00	6.00	32
		.591	1.260	1.269	.315				.630	1.016	1.024	.236	
* 15X35X5	S	15.00	34.80	35.00	5.00	32	16X26X7	S	16.00	26.00	26.20	7.00	32
		.591	1.370	1.378	.197				.630	1.024	1.031	.276	
* 15X35X6	S	15.00	34.80	35.00	6.00	32	* 16X27X7	S	16.00	26.80	27.00	7.00	32
		.591	1.370	1.378	.236				.630	1.055	1.063	.276	
* 15X35X8	S	15.00	34.80	35.00	8.00	32	16X28X7	S	16.00	28.00	28.23	7.00	32
		.591	1.370	1.378	.315				.630	1.102	1.111	.276	
* 15X35X10	S	15.00	34.80	35.00	10.00	32	* 16X28X7V	V	16.00	28.00	28.20	7.00	32
		.591	1.370	1.378	.394				.630	1.102	1.110	.276	
15X35X7	S	15.00	35.00	35.23	7.00	32	* 16X29X7	S	16.00	28.80	29.00	7.00	32
		.591	1.378	1.387	.276				.630	1.134	1.142	.276	
* 15X35X7V	V	15.00	35.00	35.20	7.00	35	* 16X30X5	S	16.00	29.80	30.00	5.00	32
		.591	1.378	1.386	.276				.630	1.173	1.181	.197	
* 15X36X7	S	15.00	35.80	36.00	7.00	32	* 16X30X6	S	16.00	29.80	30.00	6.00	32
		.591	1.409	1.417	.276				.630	1.173	1.181	.236	
* 15X37X7	S	15.00	36.80	37.00	7.00	32	* 16X30X8	S	16.00	29.80	30.00	8.00	32
		.591	1.449	1.457	.276				.630	1.173	1.181	.315	
15X37X6	S	15.00	37.00	37.20	6.00	32	* 16X30X10	S	16.00	29.80	30.00	10.00	32
		.591	1.457	1.465	.236				.630	1.173	1.181	.394	
* 15X38X10	S	15.00	37.80	38.00	10.00	32	* 16X30X4.5	S	16.00	29.80	30.00	4.50	32
		.591	1.488	1.496	.394				.630	1.173	1.181	.177	
* 15X38X7	S	15.00	38.00	38.20	7.00	32	16X30X7	S	16.00	30.00	30.23	7.00	32
		.591	1.496	1.504	.276				.630	1.181	1.190	.276	
* 15X40X8	S	15.00	39.80	40.00	8.00	32	* 16X30X7V	V	16.00	30.00	30.20	7.00	35
		.591	1.567	1.575	.315				.630	1.181	1.189	.276	
* 15X40X10	S	15.00	39.80	40.00	10.00	32	* 16X32X10	S	16.00	31.80	32.00	10.00	32
		.591	1.567	1.575	.394				.630	1.252	1.260	.394	
15X40X7	S	15.00	40.00	40.20	7.00	32	16X32X7	S	16.00	32.00	32.28	7.00	32
		.591	1.575	1.583	.276				.630	1.260	1.271	.276	
* 15X42X7	S	15.00	41.80	42.00	7.00	32	* 16X34X4	S	16.00	33.80	34.00	4.00	32
		.591	1.646	1.654	.276				.630	1.331	1.339	.157	
* 15X42X8	S	15.00	41.80	42.00	8.00	32	* 16X35X8	S	16.00	34.80	35.00	8.00	32
		.591	1.646	1.654	.315				.630	1.370	1.378	.315	
* 15X42X10	S	15.00	41.80	42.00	10.00	32	* 16X35X10	S	16.00	34.80	35.00	10.00	32
		.591	1.646	1.654	.394				.630	1.370	1.378	.394	
* 15X25.5X7	S	15.00	25.30	25.50	7.00	32	16X35X7	S	16.00	35.00	35.23	7.00	32
		.591	.996	1.004	.276				.630	1.378	1.387	.276	
* 15X25.5X4.5	S	15.00	25.30	25.50	4.50	32	* 16X36X7	S	16.00	36.00	36.20	7.00	32
		.591	.996	1.004	.177				.630	1.417	1.425	.276	
* 15X28.5X7	S	15.00	28.30	28.50	7.00	32	* 16X37X7	S	16.00	36.80	37.00	7.00	32
		.591	1.114	1.122	.276				.630	1.449	1.457	.276	
* 15X28.13X7	S	15.00	27.93	28.13	7.00	32	* 16X38X8	S	16.00	37.80	38.00	8.00	32
		.591	1.099	1.107	.276				.630	1.488	1.496	.315	
* 15.6X25.5X7	S	15.60	25.30	25.50	7.00	32	16X38X7	S	16.00	38.00	38.20	7.00	32
		.614	.996	1.004	.276				.630	1.496	1.504	.276	
* 16X21X6	S	16.00	20.80	21.00	6.00	32	* 16X40X10	S	16.00	39.80	40.00	10.00	32
		.630	.819	.827	.236				.630	1.567	1.575	.394	
* 16X22X7	S	16.00	21.80	22.00	7.00	32	16X40X7	S	16.00	40.00	40.20	7.00	32
		.630	.858	.866	.276				.630	1.575	1.583	.276	
16X22X4	S	16.00	22.00	22.20	4.00	32	* 16X28.5X8	S	16.00	28.30	28.50	8.00	32
		.630	.866	.874	.157				.630	1.114	1.122	.315	
* 16X24X4	S	16.00	23.80	24.00	4.00	32	* 16.4X30X5	S	16.40	29.80	30.00	5.00	32
		.630	.937	.945	.157				.646	1.173	1.181	.197	

For Illustration and Material Data See Technical Section
 * Call 1-800-480-1212 For Price and Delivery

Part No.	Lip Mat'l	Shaft Size	Hsg. Bore	Seal O.D.	Seal Width	Type/ Illus.	Part No.	Lip Mat'l	Shaft Size	Hsg. Bore	Seal O.D.	Seal Width	Type/ Illus.
METRIC SERIES (cont.)							METRIC SERIES (cont.)						
* 17X24X7	S	17,00	23,80	24,00	7,00	32	* 17X35X10	S	17,00	34,80	35,00	10,00	32
		.669	.937	.945	.276			.669	1.370	1.378	.394		
* 17X25X4	S	17,00	24,80	25,00	4,00	32	17X35X7	S	17,00	35,00	35,18	7,00	35
		.669	.976	.984	.157			.669	1.378	1.385	.276		
* 17X25X6	S	17,00	24,80	25,00	6,00	32	* 17X35X7V	V	17,00	35,00	35,20	7,00	35
		.669	.976	.984	.236			.669	1.378	1.386	.276		
* 17X25X7	S	17,00	24,80	25,00	7,00	32	17X35X8	S	17,00	35,00	35,20	8,00	35
		.669	.976	.984	.276			.669	1.378	1.386	.315		
* 17X26X6	S	17,00	25,80	26,00	6,00	32	* 17X36X7	S	17,00	36,00	36,20	7,00	32
		.669	1.016	1.024	.236			.669	1.417	1.425	.276		
* 17X26X7	S	17,00	25,80	26,00	7,00	32	* 17X37X10	S	17,00	36,80	37,00	10,00	32
		.669	1.016	1.024	.276			.669	1.449	1.457	.394		
* 17X27X5	S	17,00	26,80	27,00	5,00	32	17X37X7	S	17,00	37,00	37,20	7,00	32
		.669	1.055	1.063	.197			.669	1.457	1.465	.276		
* 17X27X8	S	17,00	26,80	27,00	8,00	32	* 17X38X10	S	17,00	37,80	38,00	10,00	32
		.669	1.055	1.063	.315			.669	1.488	1.496	.394		
* 17X27X10	S	17,00	26,80	27,00	10,00	32	17X38X7	S	17,00	38,00	38,20	7,00	32
		.669	1.055	1.063	.394			.669	1.496	1.504	.276		
17X27X7	S	17,00	27,00	27,20	7,00	32	* 17X40X5	S	17,00	39,80	40,00	5,00	32
		.669	1.063	1.071	.276			.669	1.567	1.575	.197		
* 17X28X5	S	17,00	27,80	28,00	5,00	32	* 17X40X8	S	17,00	39,80	40,00	8,00	32
		.669	1.094	1.102	.197			.669	1.567	1.575	.315		
* 17X28X6	S	17,00	27,80	28,00	6,00	32	* 17X40X10	S	17,00	39,80	40,00	10,00	32
		.669	1.094	1.102	.236			.669	1.567	1.575	.394		
* 17X28X8	S	17,00	27,80	28,00	8,00	32	17X40X7	S	17,00	40,00	40,23	7,00	32
		.669	1.094	1.102	.315			.669	1.575	1.584	.276		
* 17X28X4.5	S	17,00	27,80	28,00	4,50	32	* 17X42X7	S	17,00	42,00	42,20	7,00	32
		.669	1.094	1.102	.177			.669	1.654	1.661	.276		
17X28X7	S	17,00	28,00	28,23	7,00	35	* 17X45X7	S	17,00	45,00	45,20	7,00	32
		.669	1.102	1.111	.276			.669	1.772	1.780	.276		
* 17X28X7V	V	17,00	28,00	28,20	7,00	35	* 17X46X6	S	17,00	45,80	46,00	6,00	32
		.669	1.102	1.110	.276			.669	1.803	1.811	.236		
* 17X29X5	S	17,00	28,80	29,00	5,00	32	* 17X46X7	S	17,00	46,00	46,20	7,00	32
		.669	1.134	1.142	.197			.669	1.811	1.819	.276		
* 17X29X7	S	17,00	29,00	29,20	7,00	32	* 17X47X10	S	17,00	46,80	47,00	10,00	32
		.669	1.142	1.150	.276			.669	1.842	1.850	.394		
* 17X30X5	S	17,00	29,80	30,00	5,00	32	17X47X7	S	17,00	47,00	47,20	7,00	35
		.669	1.173	1.181	.197			.669	1.850	1.858	.276		
* 17X30X6	S	17,00	29,80	30,00	6,00	32	17X47X8	S	17,00	47,00	47,20	8,00	32
		.669	1.173	1.181	.236			.669	1.850	1.858	.315		
* 17X30X6	S	17,00	29,80	30,00	6,00	32	* 17X28.5X7	S	17,00	28,30	28,50	7,00	32
		.669	1.173	1.181	.236			.669	1.114	1.122	.276		
* 17X30X8	S	17,00	29,80	30,00	8,00	32	* 17X34.5X4	S	17,00	34,30	34,50	4,00	32
		.669	1.173	1.181	.315			.669	1.350	1.358	.157		
* 17X30X10	S	17,00	29,80	30,00	10,00	32	* 17X31.75X8	S	17,00	31,55	31,75	8,00	32
		.669	1.173	1.181	.394			.669	1.242	1.250	.315		
17X30X7	S	17,00	30,00	30,23	7,00	32	* 17.5X32X6	S	17,50	31,80	32,00	6,00	32
		.669	1.181	1.190	.276			.689	1.252	1.260	.236		
* 17X30X7V	V	17,00	30,00	30,20	7,00	35	* 17.6X30X7	S	17,60	29,80	30,00	7,00	32
		.669	1.181	1.189	.276			.693	1.173	1.181	.276		
* 17X31X7	S	17,00	30,80	31,00	7,00	32	* 18X25X7	S	18,00	24,80	25,00	7,00	32
		.669	1.212	1.220	.276			.709	.976	.984	.276		
* 17X31X8	S	17,00	30,80	31,00	8,00	32	* 18X26X7	S	18,00	25,80	26,00	7,00	32
		.669	1.212	1.220	.315			.709	1.016	1.024	.276		
* 17X32X5	S	17,00	31,80	32,00	5,00	32	* 18X27X7	S	18,00	26,80	27,00	7,00	32
		.669	1.252	1.260	.197			.709	1.055	1.063	.276		
* 17X32X6	S	17,00	31,80	32,00	6,00	32	* 18X28X7	S	18,00	27,80	28,00	7,00	32
		.669	1.252	1.260	.236			.709	1.094	1.102	.276		
* 17X32X8	S	17,00	31,80	32,00	8,00	32	* 18X28X8	S	18,00	27,80	28,00	8,00	32
		.669	1.252	1.260	.315			.709	1.094	1.102	.315		
17X32X7	S	17,00	32,00	32,22	7,00	32	* 18X28X10	S	18,00	27,80	28,00	10,00	32
		.669	1.260	1.269	.276			.709	1.094	1.102	.394		
* 17X33X7	S	17,00	32,80	33,00	7,00	32	18X28X6	S	18,00	28,00	28,28	6,00	32
		.669	1.291	1.299	.276			.709	1.102	1.113	.236		
* 17X34X4	S	17,00	33,80	34,00	4,00	32	* 18X28X7V	V	18,00	28,00	28,20	7,00	35
		.669	1.331	1.339	.157			.709	1.102	1.110	.276		
* 17X34X7	S	17,00	33,80	34,00	7,00	32	* 18X29X7	S	18,00	28,80	29,00	7,00	32
		.669	1.331	1.339	.276			.709	1.134	1.142	.276		
* 17X35X6	S	17,00	34,80	35,00	6,00	32	* 18X30X6	S	18,00	29,80	30,00	6,00	32
		.669	1.370	1.378	.236			.709	1.173	1.181	.236		

NUMERICAL SECTION

For Illustration and Material Data See Technical Section
 * Call 1-800-480-1212 For Price and Delivery

Numerical List Size & Type

NATIONAL®



Part No.	Lip Mat'l	Shaft Size	Hsg. Bore	Seal O.D.	Seal Width	Type/Illus.	Part No.	Lip Mat'l	Shaft Size	Hsg. Bore	Seal O.D.	Seal Width	Type/Illus.
METRIC SERIES (cont.)							METRIC SERIES (cont.)						
* 18X30X6	S	18,00	29,80	30,00	6,00	32	19X32X7	S	19,00	32,00	32,20	7,00	35
		.709	1.173	1.181	.236				.748	1.260	1.268	.276	
* 18X30X8	S	18,00	29,80	30,00	8,00	32	19X32X8	S	19,00	32,00	32,20	8,00	32
		.709	1.173	1.181	.315				.748	1.260	1.268	.315	
* 18X30X10	S	18,00	29,80	30,00	10,00	32	* 19X33X8	S	19,00	32,80	33,00	8,00	32
		.709	1.173	1.181	.394				.748	1.291	1.299	.315	
18X30X7	S	18,00	30,00	30,23	7,00	32	* 19X34X7	S	19,00	33,80	34,00	7,00	32
		.709	1.181	1.190	.276				.748	1.331	1.339	.276	
* 18X31X7	S	18,00	30,80	31,00	7,00	32	* 19X35X7	S	19,00	34,80	35,00	7,00	32
		.709	1.212	1.220	.276				.748	1.370	1.378	.276	
* 18X32X6	S	18,00	31,80	32,00	6,00	32	* 19X35X8	S	19,00	34,80	35,00	8,00	32
		.709	1.252	1.260	.236				.748	1.370	1.378	.315	
* 18X32X10	S	18,00	31,80	32,00	10,00	32	19X35X10	S	19,00	35,00	35,23	10,00	32
		.709	1.252	1.260	.394				.748	1.378	1.387	.394	
18X32X7	S	18,00	32,00	32,20	7,00	35	* 19X36X7	S	19,00	35,80	36,00	7,00	32
		.709	1.260	1.268	.276				.748	1.409	1.417	.276	
* 18X32X7V	V	18,00	32,00	32,20	7,00	35	* 19X37X10	S	19,00	36,80	37,00	10,00	32
		.709	1.260	1.268	.276				.748	1.449	1.457	.394	
18X32X8	S	18,00	32,00	32,22	8,00	32	* 19X37X7	S	19,00	37,00	37,20	7,00	32
		.709	1.260	1.269	.315				.748	1.457	1.465	.276	
* 18X34X7	S	18,00	33,80	34,00	7,00	32	* 19X38X8	S	19,00	37,80	38,00	8,00	32
		.709	1.331	1.339	.276				.748	1.488	1.496	.315	
* 18X35X8	S	18,00	34,80	35,00	8,00	32	* 19X38X10	S	19,00	37,80	38,00	10,00	32
		.709	1.370	1.378	.315				.748	1.488	1.496	.394	
* 18X35X10	S	18,00	34,80	35,00	10,00	32	* 19X38X7	S	19,00	38,00	38,20	7,00	32
		.709	1.370	1.378	.394				.748	1.496	1.504	.276	
18X35X7	S	18,00	35,00	35,18	7,00	32	* 19X40X7	S	19,00	39,80	40,00	7,00	32
		.709	1.378	1.385	.276				.748	1.567	1.575	.276	
* 18X35X8V	V	18,00	35,00	35,20	8,00	35	19X40X10	S	19,00	40,00	40,23	10,00	35
		.709	1.378	1.386	.315				.748	1.575	1.584	.394	
* 18X36X7	S	18,00	36,00	36,20	7,00	32	* 19X41X7	S	19,00	40,80	41,00	7,00	32
		.709	1.417	1.425	.276				.748	1.606	1.614	.276	
* 18X37X7	S	18,00	36,80	37,00	7,00	32	* 19X42X7	S	19,00	42,00	42,20	7,00	32
		.709	1.449	1.457	.276				.748	1.654	1.661	.276	
18X37X8	S	18,00	37,00	37,20	8,00	32	* 19X45X7	S	19,00	45,00	45,20	7,00	32
		.709	1.457	1.465	.315				.748	1.772	1.780	.276	
* 18X38X10	S	18,00	37,80	38,00	10,00	32	* 19X46X7	S	19,00	46,00	46,20	7,00	32
		.709	1.488	1.496	.394				.748	1.811	1.819	.276	
18X38X7	S	18,00	38,00	38,20	7,00	32	19X47X7	S	19,00	47,00	47,20	7,00	32
		.709	1.496	1.504	.276				.748	1.850	1.858	.276	
* 18X40X10	S	18,00	39,80	40,00	10,00	32	* 19X33.5X7	S	19,00	33,30	33,50	7,00	32
		.709	1.567	1.575	.394				.748	1.311	1.319	.276	
18X40X7	S	18,00	40,00	40,22	7,00	32	* 19.5X35X6	S	19,50	34,80	35,00	6,00	32
		.709	1.575	1.583	.276				.768	1.370	1.378	.236	
* 18X40X7V	V	18,00	40,00	40,20	7,00	35	* 19.8X30X5	S	19,80	29,80	30,00	5,00	32
		.709	1.575	1.583	.276				.780	1.173	1.181	.197	
* 18X42X7	S	18,00	41,80	42,00	7,00	32	* 20X25X7	S	20,00	24,80	25,00	7,00	32
		.709	1.646	1.654	.276				.787	.976	.984	.276	
* 18X42X10	S	18,00	41,80	42,00	10,00	32	* 20X26X4	S	20,00	25,80	26,00	4,00	32
		.709	1.646	1.654	.394				.787	1.016	1.024	.157	
* 19X25X6	S	19,00	24,80	25,00	6,00	32	* 20X26X5	S	20,00	25,80	26,00	5,00	32
		.748	.976	.984	.236				.787	1.016	1.024	.197	
* 19X27X5	S	19,00	26,80	27,00	5,00	32	* 20X26X5.6	S	20,00	25,80	26,00	5,60	32
		.748	1.055	1.063	.197				.787	1.016	1.024	.220	
* 19X27X10	S	19,00	26,80	27,00	10,00	32	* 20X27X5	S	20,00	26,80	27,00	5,00	32
		.748	1.055	1.063	.394				.787	1.055	1.063	.197	
19X27X6	S	19,00	27,00	27,20	6,00	35	* 20X28X4	S	20,00	27,80	28,00	4,00	32
		.748	1.063	1.071	.236				.787	1.094	1.102	.157	
* 19X28X7	S	19,00	27,80	28,00	7,00	32	* 20X28X7	S	20,00	27,80	28,00	7,00	32
		.748	1.094	1.102	.276				.787	1.094	1.102	.276	
* 19X29X7	S	19,00	28,80	29,00	7,00	32	20X28X6	S	20,00	28,00	28,20	6,00	32
		.748	1.134	1.142	.276				.787	1.102	1.110	.236	
19X30X7	S	19,00	30,00	30,20	7,00	32	* 20X30X6	S	20,00	29,80	30,00	6,00	32
		.748	1.181	1.189	.276				.787	1.173	1.181	.236	
* 19X32X5	S	19,00	31,80	32,00	5,00	32	* 20X30X9	S	20,00	29,80	30,00	9,00	32
		.748	1.252	1.260	.197				.787	1.173	1.181	.354	
* 19X32X6	S	19,00	31,80	32,00	6,00	32	* 20X30X10	S	20,00	29,80	30,00	10,00	32
		.748	1.252	1.260	.236				.787	1.173	1.181	.394	
* 19X32X10	S	19,00	31,80	32,00	10,00	32	* 20X30X4.5	S	20,00	29,80	30,00	4,50	32
		.748	1.252	1.260	.394				.787	1.173	1.181	.177	

For Illustration and Material Data See Technical Section
 * Call 1-800-480-1212 For Price and Delivery

Part No.	Lip Mat'l	Shaft Size	Hsg. Bore	Seal O.D.	Seal Width	Type/ Illus.	Part No.	Lip Mat'l	Shaft Size	Hsg. Bore	Seal O.D.	Seal Width	Type/ Illus.
METRIC SERIES (cont.)							METRIC SERIES (cont.)						
20X30X5	S	20,00	30,00	30,20	5,00	35	*20X40X12	S	20,00	39,80	40,00	12,00	32
		.787	1.181	1.189	.197				.787	1.567	1.575	.472	
*20X30X5V	V	20,00	30,00	30,20	5,00	35	20X40X7	S	20,00	40,00	40,23	7,00	32
		.787	1.181	1.189	.197				.787	1.575	1.584	.276	
*20X30X5.5	S	20,00	29,80	30,00	5,50	32	*20X40X7V	V	20,00	40,00	40,20	7,00	32
		.787	1.173	1.181	.217				.787	1.575	1.583	.276	
20X30X7	S	20,00	30,00	30,28	7,00	35	20X40X10	S	20,00	40,00	40,23	10,00	35
		.787	1.181	1.192	.276				.787	1.575	1.584	.394	
*20X30X7V	V	20,00	30,00	30,20	7,00	35	*20X42X6	S	20,00	41,80	42,00	6,00	32
		.787	1.181	1.189	.276				.787	1.646	1.654	.236	
*20X31X5	S	20,00	30,80	31,00	5,00	32	*20X42X8	S	20,00	41,80	42,00	8,00	32
		.787	1.212	1.220	.197				.787	1.646	1.654	.315	
*20X31X7	S	20,00	31,00	31,20	7,00	32	20X42X7	S	20,00	42,00	42,25	7,00	32
		.787	1.220	1.228	.276				.787	1.654	1.663	.276	
*20X32X5	S	20,00	31,80	32,00	5,00	32	*20X42X7V	V	20,00	42,00	42,25	7,00	35
		.787	1.252	1.260	.197				.787	1.654	1.663	.276	
*20X32X6	S	20,00	31,80	32,00	6,00	32	20X42X10	S	20,00	42,00	42,15	10,00	45
		.787	1.252	1.260	.236				.787	1.654	1.659	.394	
*20X32X8	S	20,00	31,80	32,00	8,00	32	*20X44X7	S	20,00	43,80	44,00	7,00	32
		.787	1.252	1.260	.315				.787	1.724	1.732	.276	
*20X32X10	S	20,00	31,80	32,00	10,00	32	*20X45X7	S	20,00	44,80	45,00	7,00	32
		.787	1.252	1.260	.394				.787	1.764	1.772	.276	
20X32X7	S	20,00	32,00	32,23	7,00	32	*20X45X8	S	20,00	44,80	45,00	8,00	32
		.787	1.260	1.269	.276				.787	1.764	1.772	.315	
*20X32X7.5	S	20,00	31,80	32,00	7,50	32	*20X45X10	S	20,00	44,80	45,00	10,00	32
		.787	1.252	1.260	.295				.787	1.764	1.772	.394	
*20X33X7	S	20,00	32,80	33,00	7,00	32	*20X45X12	S	20,00	44,80	45,00	12,00	32
		.787	1.291	1.299	.276				.787	1.764	1.772	.472	
*20X33X10	S	20,00	32,80	33,00	10,00	32	*20X46X8	S	20,00	45,80	46,00	8,00	32
		.787	1.291	1.299	.394				.787	1.803	1.811	.315	
*20X34X7	S	20,00	33,80	34,00	7,00	32	*20X46X7	S	20,00	46,00	46,20	7,00	32
		.787	1.331	1.339	.276				.787	1.811	1.819	.276	
*20X35X6	S	20,00	34,80	35,00	6,00	32	*20X47X6	S	20,00	46,80	47,00	6,00	32
		.787	1.370	1.378	.236				.787	1.842	1.850	.236	
*20X35X8	S	20,00	34,80	35,00	8,00	32	*20X47X8	S	20,00	46,80	47,00	8,00	32
		.787	1.370	1.378	.315				.787	1.842	1.850	.315	
*20X35X10	S	20,00	34,80	35,00	10,00	32	*20X47X9	S	20,00	46,80	47,00	9,00	32
		.787	1.370	1.378	.394				.787	1.842	1.850	.354	
20X35X7	S	20,00	35,00	35,23	7,00	32	*20X47X10	S	20,00	46,80	47,00	10,00	32
		.787	1.378	1.387	.276				.787	1.842	1.850	.394	
*20X36X8	S	20,00	35,80	36,00	8,00	32	*20X47X12	S	20,00	46,80	47,00	12,00	32
		.787	1.409	1.417	.315				.787	1.842	1.850	.472	
*20X36X10	S	20,00	35,80	36,00	10,00	32	*20X47X13	S	20,00	46,80	47,00	13,00	32
		.787	1.409	1.417	.394				.787	1.842	1.850	.512	
*20X36X12	S	20,00	35,80	36,00	12,00	32	20X47X7	S	20,00	47,00	47,22	7,00	32
		.787	1.409	1.417	.472				.787	1.850	1.859	.276	
20X36X7	S	20,00	36,00	36,20	7,00	32	*20X47X7V	V	20,00	47,00	47,20	7,00	35
		.787	1.417	1.425	.276				.787	1.850	1.858	.276	
*20X37X6	S	20,00	36,80	37,00	6,00	32	*20X48X8	S	20,00	47,80	48,00	8,00	32
		.787	1.449	1.457	.236				.787	1.882	1.890	.315	
*20X37X10	S	20,00	36,80	37,00	10,00	32	*20X48X10	S	20,00	47,80	48,00	10,00	32
		.787	1.449	1.457	.394				.787	1.882	1.890	.394	
20X37X7	S	20,00	37,00	37,20	7,00	32	*20X48X7	S	20,00	48,00	48,20	7,00	32
		.787	1.457	1.465	.276				.787	1.890	1.898	.276	
20X37X8	S	20,00	37,00	37,20	8,00	32	*20X49X7	S	20,00	48,80	49,00	7,00	32
		.787	1.457	1.465	.315				.787	1.921	1.929	.276	
*20X38X5	S	20,00	37,80	38,00	5,00	32	*20X50X8	S	20,00	49,80	50,00	8,00	32
		.787	1.488	1.496	.197				.787	1.961	1.969	.315	
*20X38X8	S	20,00	37,80	38,00	8,00	32	*20X50X10	S	20,00	49,80	50,00	10,00	32
		.787	1.488	1.496	.315				.787	1.961	1.969	.394	
*20X38X10	S	20,00	37,80	38,00	10,00	32	*20X50X7	S	20,00	50,00	50,20	7,00	32
		.787	1.488	1.496	.394				.787	1.969	1.976	.276	
20X38X7	S	20,00	38,00	38,20	7,00	32	*20X52X8	S	20,00	51,75	52,00	8,00	32
		.787	1.496	1.504	.276				.787	2.037	2.047	.315	
*20X39X6	S	20,00	38,80	39,00	6,00	32	*20X52X9	S	20,00	51,75	52,00	9,00	32
		.787	1.527	1.535	.236				.787	2.037	2.047	.354	
*20X40X8	S	20,00	39,80	40,00	8,00	32	*20X52X10	S	20,00	51,75	52,00	10,00	32
		.787	1.567	1.575	.315				.787	2.037	2.047	.394	
*20X40X9	S	20,00	39,80	40,00	9,00	32	*20X52X12	S	20,00	51,75	52,00	12,00	32
		.787	1.567	1.575	.354				.787	2.037	2.047	.472	

NUMERICAL SECTION

For Illustration and Material Data See Technical Section
 * Call 1-800-480-1212 For Price and Delivery

Numerical List Size & Type

NATIONAL®



Part No.	Lip Mat'l	Shaft Size	Hsg. Bore	Seal O.D.	Seal Width	Type/Illus.	Part No.	Lip Mat'l	Shaft Size	Hsg. Bore	Seal O.D.	Seal Width	Type/Illus.
METRIC SERIES (cont.)							METRIC SERIES (cont.)						
20X52X7	S	20,00	52,00	52,20	7,00	32	*22X35X10	S	22,00	34,80	35,00	10,00	32
		.787	2.047	2.055	.276				.866	1.370	1.378	.394	
*20X37.7X7	S	20,00	37,50	37,70	7,00	32	22X35X7	S	22,00	35,00	35,23	7,00	32
		.787	1.476	1.484	.276				.866	1.378	1.387	.276	
*20X39.8X6.5	S	20,00	39,60	39,80	6,50	32	*22X35X7V	V	22,00	35,00	35,20	7,00	35
		.787	1.559	1.567	.256				.866	1.378	1.386	.276	
*20X41.25X7	S	20,00	41,05	41,25	7,00	32	*22X36X8	S	22,00	35,80	36,00	8,00	32
		.787	1.616	1.624	.276				.866	1.409	1.417	.315	
*21X31X7	S	21,00	30,80	31,00	7,00	32	*22X36X10	S	22,00	35,80	36,00	10,00	32
		.827	1.212	1.220	.276				.866	1.409	1.417	.394	
*21X32X5	S	21,00	31,80	32,00	5,00	32	22X36X7	S	22,00	36,00	36,20	7,00	32
		.827	1.252	1.260	.197				.866	1.417	1.425	.276	
*21X33X7	S	21,00	32,80	33,00	7,00	32	*22X37X6	S	22,00	36,80	37,00	6,00	32
		.827	1.291	1.299	.276				.866	1.449	1.457	.236	
21X35X7	S	21,00	35,00	35,20	7,00	32	22X37X7	S	22,00	37,00	37,23	7,00	35
		.827	1.378	1.386	.276				.866	1.457	1.466	.276	
21X35X8	S	21,00	35,00	35,20	8,00	32	22X38X7	S	22,00	38,00	38,20	7,00	35
		.827	1.378	1.386	.315				.866	1.496	1.504	.276	
*21X36X8	S	21,00	36,00	36,20	8,00	32	*22X38X7V	V	22,00	38,00	38,20	7,00	35
		.827	1.417	1.425	.315				.866	1.496	1.504	.276	
*21X37X7	S	21,00	36,80	37,00	7,00	32	22X38X8	S	22,00	38,00	38,20	8,00	32
		.827	1.449	1.457	.276				.866	1.496	1.504	.315	
*21X37X5.5	S	21,00	36,80	37,00	5,50	32	*22X39X7	S	22,00	38,80	39,00	7,00	32
		.827	1.449	1.457	.217				.866	1.527	1.535	.276	
*21X37X8	S	21,00	37,00	37,20	8,00	32	*22X40X4	S	22,00	39,80	40,00	4,00	32
		.827	1.457	1.465	.315				.866	1.567	1.575	.157	
*21X38X8	S	21,00	38,00	38,20	8,00	32	*22X40X10	S	22,00	39,80	40,00	10,00	32
		.827	1.496	1.504	.315				.866	1.567	1.575	.394	
*21X40X7	S	21,00	39,80	40,00	7,00	32	*22X40X11	S	22,00	39,80	40,00	11,00	32
		.827	1.567	1.575	.276				.866	1.567	1.575	.433	
*21X40X8	S	21,00	40,00	40,20	8,00	32	*22X40X12	S	22,00	39,80	40,00	12,00	32
		.827	1.575	1.583	.315				.866	1.567	1.575	.472	
*21X52X8	S	21,00	52,00	52,20	8,00	32	22X40X7	S	22,00	40,00	40,23	7,00	32
		.827	2.047	2.055	.315				.866	1.575	1.584	.276	
*21.5X35X8	S	21,50	34,80	35,00	8,00	32	*22X40X7V	V	22,00	40,00	40,20	7,00	32
		.846	1.370	1.378	.315				.866	1.575	1.583	.276	
*21.7X35X6.5	S	21,70	34,80	35,00	6,50	32	22X40X8	S	22,00	40,00	40,20	8,00	35
		.854	1.370	1.378	.256				.866	1.575	1.583	.315	
*22X28X8	S	22,00	28,00	28,20	8,00	32	*22X42X6	S	22,00	41,80	42,00	6,00	32
		.866	1.102	1.110	.315				.866	1.646	1.654	.236	
*22X30X7	S	22,00	29,80	30,00	7,00	32	*22X42X11	S	22,00	41,80	42,00	11,00	32
		.866	1.173	1.181	.276				.866	1.646	1.654	.433	
*22X30X8	S	22,00	29,80	30,00	8,00	32	22X42X7	S	22,00	42,00	42,20	7,00	32
		.866	1.173	1.181	.315				.866	1.654	1.661	.276	
*22X31X7	S	22,00	30,80	31,00	7,00	32	22X42X10	S	22,00	42,00	42,20	10,00	35
		.866	1.212	1.220	.276				.866	1.654	1.661	.394	
22X31X6	S	22,00	31,00	31,20	6,00	32	*22X44X7	S	22,00	43,80	44,00	7,00	32
		.866	1.220	1.228	.236				.866	1.724	1.732	.276	
*22X31X8	S	22,00	31,00	31,20	8,00	32	*22X45X5	S	22,00	44,80	45,00	5,00	32
		.866	1.220	1.228	.315				.866	1.764	1.772	.197	
*22X32X5	S	22,00	31,80	32,00	5,00	32	*22X45X8	S	22,00	44,80	45,00	8,00	32
		.866	1.252	1.260	.197				.866	1.764	1.772	.315	
*22X32X6	S	22,00	31,80	32,00	6,00	32	*22X45X10	S	22,00	44,80	45,00	10,00	32
		.866	1.252	1.260	.236				.866	1.764	1.772	.394	
22X32X7	S	22,00	32,00	32,23	7,00	32	22X45X7	S	22,00	45,00	45,23	7,00	35
		.866	1.260	1.269	.276				.866	1.772	1.781	.276	
*22X32X7V	V	22,00	32,00	32,20	7,00	35	*22X46X8	S	22,00	46,00	46,20	8,00	32
		.866	1.260	1.268	.276				.866	1.811	1.819	.315	
*22X33X7	S	22,00	32,80	33,00	7,00	32	*22X47X10	S	22,00	46,80	47,00	10,00	32
		.866	1.291	1.299	.276				.866	1.842	1.850	.394	
*22X33X10	S	22,00	32,80	33,00	10,00	32	22X47X7	S	22,00	47,00	47,23	7,00	32
		.866	1.291	1.299	.394				.866	1.850	1.859	.276	
*22X34X7	S	22,00	33,80	34,00	7,00	32	*22X48X7	S	22,00	47,80	48,00	7,00	32
		.866	1.331	1.339	.276				.866	1.882	1.890	.276	
*22X35X5	S	22,00	34,80	35,00	5,00	32	*22X48X11	S	22,00	47,80	48,00	11,00	32
		.866	1.370	1.378	.197				.866	1.882	1.890	.433	
*22X35X8	S	22,00	34,80	35,00	8,00	32	*22X48X8	S	22,00	48,00	48,20	8,00	32
		.866	1.370	1.378	.315				.866	1.890	1.898	.315	
*22X35X9	S	22,00	34,80	35,00	9,00	32	*22X50X5	S	22,00	49,80	50,00	5,00	32
		.866	1.370	1.378	.354				.866	1.961	1.969	.197	

For Illustration and Material Data See Technical Section
 * Call 1-800-480-1212 For Price and Delivery

Part No.	Lip Mat'l	Shaft Size	Hsg. Bore	Seal O.D.	Seal Width	Type/ Illus.	Part No.	Lip Mat'l	Shaft Size	Hsg. Bore	Seal O.D.	Seal Width	Type/ Illus.
METRIC SERIES (cont.)							METRIC SERIES (cont.)						
* 22X50X10	S	22,00	49,80	50,00	10,00	32	24X38X7	S	24,00	38,00	38,20	7,00	32
		.866	1.961	1.969	.394				.945	1.496	1.504	.276	
* 22X50X8	S	22,00	50,00	50,20	8,00	32	* 24X38X8.5	S	24,00	37,80	38,00	8,50	32
		.866	1.969	1.976	.315				.945	1.488	1.496	.335	
* 22X52X10	S	22,00	51,75	52,00	10,00	32	* 24X40X8	S	24,00	39,80	40,00	8,00	32
		.866	2.037	2.047	.394				.945	1.567	1.575	.315	
* 22X52X8	S	22,00	52,00	52,20	8,00	32	* 24X40X6V	V	24,00	40,00	40,20	6,00	35
		.866	2.047	2.055	.315				.945	1.575	1.583	.236	
* 22X56X7	S	22,00	55,75	56,00	7,00	32	24X40X7	S	24,00	40,00	40,23	7,00	32
		.866	2.195	2.205	.276				.945	1.575	1.584	.276	
* 22X41.5X6	S	22,00	41,30	41,50	6,00	32	24X42X7	S	24,00	42,00	42,20	7,00	32
		.866	1.626	1.634	.236				.945	1.654	1.661	.276	
* 22X41.25X6	S	22,00	41,05	41,25	6,00	32	* 24X42X8	S	24,00	42,00	42,25	8,00	35
		.866	1.616	1.624	.236				.945	1.654	1.663	.315	
* 23X32X7	S	23,00	31,80	32,00	7,00	32	24X42X10	S	24,00	42,00	42,25	10,00	32
		.906	1.252	1.260	.276				.945	1.654	1.663	.394	
* 23X35X7	S	23,00	34,80	35,00	7,00	32	* 24X43X6	S	24,00	42,80	43,00	6,00	32
		.906	1.370	1.378	.276				.945	1.685	1.693	.236	
* 23X36X6	S	23,00	35,80	36,00	6,00	32	* 24X43X7	S	24,00	42,80	43,00	7,00	32
		.906	1.409	1.417	.236				.945	1.685	1.693	.276	
* 23X36X7	S	23,00	35,80	36,00	7,00	32	* 24X45X6	S	24,00	44,80	45,00	6,00	32
		.906	1.409	1.417	.276				.945	1.764	1.772	.236	
* 23X36X10	S	23,00	35,80	36,00	10,00	32	* 24X45X7	S	24,00	44,80	45,00	7,00	32
		.906	1.409	1.417	.394				.945	1.764	1.772	.276	
* 23X36X13	S	23,00	35,80	36,00	13,00	32	* 24X45X11	S	24,00	44,80	45,00	11,00	32
		.906	1.409	1.417	.512				.945	1.764	1.772	.433	
* 23X37X7	S	23,00	36,80	37,00	7,00	32	* 24X45X8	S	24,00	45,00	45,20	8,00	32
		.906	1.449	1.457	.276				.945	1.772	1.780	.315	
* 23X38X7	S	23,00	37,80	38,00	7,00	32	* 24X46X10	S	24,00	45,80	46,00	10,00	32
		.906	1.488	1.496	.276				.945	1.803	1.811	.394	
* 23X40X6	S	23,00	39,80	40,00	6,00	32	* 24X46X8	S	24,00	46,00	46,20	8,00	32
		.906	1.567	1.575	.236				.945	1.811	1.819	.315	
* 23X40X10	S	23,00	39,80	40,00	10,00	32	* 24X47X10	S	24,00	46,80	47,00	10,00	32
		.906	1.567	1.575	.394				.945	1.842	1.850	.394	
* 23X42X7	S	23,00	41,80	42,00	7,00	32	24X47X7	S	24,00	47,00	47,23	7,00	32
		.906	1.646	1.654	.276				.945	1.850	1.859	.276	
* 23X43X8	S	23,00	42,80	43,00	8,00	32	* 24X48X7	S	24,00	47,80	48,00	7,00	32
		.906	1.685	1.693	.315				.945	1.882	1.890	.276	
* 23X47X7	S	23,00	46,80	47,00	7,00	32	* 24X48X8	S	24,00	48,00	48,20	8,00	32
		.906	1.842	1.850	.276				.945	1.890	1.898	.315	
* 23X47X8	S	23,00	46,80	47,00	8,00	32	* 24X49X12	S	24,00	48,80	49,00	12,00	32
		.906	1.842	1.850	.315				.945	1.921	1.929	.472	
* 23X47X10	S	23,00	46,80	47,00	10,00	32	* 24X50X8	S	24,00	50,00	50,20	8,00	32
		.906	1.842	1.850	.394				.945	1.969	1.976	.315	
* 24X32X4	S	24,00	31,80	32,00	4,00	32	24X52X7	S	24,00	52,00	52,20	7,00	32
		.945	1.252	1.260	.157				.945	2.047	2.055	.276	
* 24X32X7	S	24,00	31,80	32,00	7,00	32	* 24X77X18	S	24,00	76,72	77,00	18,00	32
		.945	1.252	1.260	.276				.945	3.020	3.031	.709	
* 24X33X7	S	24,00	32,80	33,00	7,00	32	* 25X32X4	S	25,00	31,80	32,00	4,00	32
		.945	1.291	1.299	.276				.984	1.252	1.260	.157	
* 24X34X7	S	24,00	33,80	34,00	7,00	32	* 25X32X6	S	25,00	31,80	32,00	6,00	32
		.945	1.331	1.339	.276				.984	1.252	1.260	.236	
* 24X35X6	S	24,00	34,80	35,00	6,00	32	* 25X32X7	S	25,00	31,80	32,00	7,00	32
		.945	1.370	1.378	.236				.984	1.252	1.260	.276	
* 24X35X8	S	24,00	34,80	35,00	8,00	32	* 25X33X6	S	25,00	32,80	33,00	6,00	32
		.945	1.370	1.378	.315				.984	1.291	1.299	.236	
24X35X7	S	24,00	35,00	35,23	7,00	32	* 25X34X5	S	25,00	33,80	34,00	5,00	32
		.945	1.378	1.387	.276				.984	1.331	1.339	.197	
* 24X36X7	S	24,00	35,80	36,00	7,00	32	* 25X35X5	S	25,00	34,80	35,00	5,00	32
		.945	1.409	1.417	.276				.984	1.370	1.378	.197	
* 24X36X8	S	24,00	35,80	36,00	8,00	32	* 25X35X8	S	25,00	34,80	35,00	8,00	32
		.945	1.409	1.417	.315				.984	1.370	1.378	.315	
* 24X36X7V	V	24,00	36,00	36,20	7,00	35	* 25X35X9	S	25,00	34,80	35,00	9,00	32
		.945	1.417	1.425	.276				.984	1.370	1.378	.354	
24X37X7	S	24,00	37,00	37,23	7,00	35	* 25X35X10	S	25,00	34,80	35,00	10,00	32
		.945	1.457	1.466	.276				.984	1.370	1.378	.394	
* 24X38X8	S	24,00	37,80	38,00	8,00	32	25X35X6	S	25,00	35,00	35,20	6,00	32
		.945	1.488	1.496	.315				.984	1.378	1.386	.236	
* 24X38X10	S	24,00	37,80	38,00	10,00	32	25X35X7	S	25,00	35,00	35,25	7,00	35
		.945	1.488	1.496	.394				.984	1.378	1.388	.276	

NUMERICAL SECTION

For Illustration and Material Data See Technical Section
 * Call 1-800-480-1212 For Price and Delivery

Numerical List Size & Type

NATIONAL®



Part No.	Lip Mat'l	Shaft Size	Hsg. Bore	Seal O.D.	Seal Width	Type/ Illus.	Part No.	Lip Mat'l	Shaft Size	Hsg. Bore	Seal O.D.	Seal Width	Type/ Illus.
METRIC SERIES (cont.)							METRIC SERIES (cont.)						
*25X35X7V	V	25,00	35,00	35,10	7,00	48	*25X43X7	S	25,00	42,80	43,00	7,00	32
		.984	1.378	1.382	.276				.984	1.685	1.693	.276	
*25X35X8.5	S	25,00	34,80	35,00	8,50	32	*25X43X9	S	25,00	42,80	43,00	9,00	32
		.984	1.370	1.378	.335				.984	1.685	1.693	.354	
*25X36X6	S	25,00	35,80	36,00	6,00	32	*25X43X10	S	25,00	42,80	43,00	10,00	32
		.984	1.409	1.417	.236				.984	1.685	1.693	.394	
25X36X7	S	25,00	36,00	36,23	7,00	32	*25X44X7	S	25,00	43,80	44,00	7,00	32
		.984	1.417	1.426	.276				.984	1.724	1.732	.276	
25X36X8	S	25,00	36,00	36,22	8,00	32	*25X44X8	S	25,00	43,80	44,00	8,00	32
		.984	1.417	1.426	.315				.984	1.724	1.732	.315	
*25X37X5	S	25,00	36,80	37,00	5,00	32	*25X45X7	S	25,00	44,80	45,00	7,00	32
		.984	1.449	1.457	.197				.984	1.764	1.772	.276	
*25X37X6	S	25,00	36,80	37,00	6,00	32	*25X45X9	S	25,00	44,80	45,00	9,00	32
		.984	1.449	1.457	.236				.984	1.764	1.772	.354	
*25X37X8	S	25,00	36,80	37,00	8,00	32	*25X45X10	S	25,00	44,80	45,00	10,00	32
		.984	1.449	1.457	.315				.984	1.764	1.772	.394	
*25X37X5V	V	25,00	37,00	37,20	5,00	35	*25X45X11	S	25,00	44,80	45,00	11,00	32
		.984	1.457	1.465	.197				.984	1.764	1.772	.433	
25X37X7	S	25,00	37,00	37,20	7,00	32	*25X45X12	S	25,00	44,80	45,00	12,00	32
		.984	1.457	1.465	.276				.984	1.764	1.772	.472	
*25X38X6	S	25,00	37,80	38,00	6,00	32	25X45X8	S	25,00	45,00	45,23	8,00	32
		.984	1.488	1.496	.236				.984	1.772	1.781	.315	
*25X38X8	S	25,00	37,80	38,00	8,00	32	25X46X7	S	25,00	46,00	46,20	7,00	32
		.984	1.488	1.496	.315				.984	1.811	1.819	.276	
*25X38X10	S	25,00	37,80	38,00	10,00	32	*25X46X8	S	25,00	46,00	46,20	8,00	32
		.984	1.488	1.496	.394				.984	1.811	1.819	.315	
25X38X7	S	25,00	38,00	38,23	7,00	32	*25X47X6	S	25,00	46,80	47,00	6,00	32
		.984	1.496	1.505	.276				.984	1.842	1.850	.236	
*25X38X7V	V	25,00	38,00	38,20	7,00	35	*25X47X8	S	25,00	46,80	47,00	8,00	32
		.984	1.496	1.504	.276				.984	1.842	1.850	.315	
*25X39X8	S	25,00	38,80	39,00	8,00	32	*25X47X10	S	25,00	46,80	47,00	10,00	32
		.984	1.527	1.535	.315				.984	1.842	1.850	.394	
*25X40X5	S	25,00	39,80	40,00	5,00	32	25X47X7	S	25,00	47,00	47,23	7,00	32
		.984	1.567	1.575	.197				.984	1.850	1.859	.276	
*25X40X6	S	25,00	39,80	40,00	6,00	32	*25X47X10V	V	25,00	47,00	47,20	10,00	35
		.984	1.567	1.575	.236				.984	1.850	1.858	.394	
*25X40X6	S	25,00	39,80	40,00	6,00	32	*25X48X7	S	25,00	47,80	48,00	7,00	32
		.984	1.567	1.575	.236				.984	1.882	1.890	.276	
*25X40X8	S	25,00	39,80	40,00	8,00	32	*25X48X10	S	25,00	47,80	48,00	10,00	32
		.984	1.567	1.575	.315				.984	1.882	1.890	.394	
*25X40X10	S	25,00	39,80	40,00	10,00	32	25X48X8	S	25,00	48,00	48,20	8,00	32
		.984	1.567	1.575	.394				.984	1.890	1.898	.315	
*25X40X11	S	25,00	39,80	40,00	11,00	32	*25X49X10	S	25,00	48,80	49,00	10,00	32
		.984	1.567	1.575	.433				.984	1.921	1.929	.394	
*25X40X12	S	25,00	39,80	40,00	12,00	32	*25X50X12	S	25,00	49,80	50,00	12,00	32
		.984	1.567	1.575	.472				.984	1.961	1.969	.472	
25X40X7	S	25,00	40,00	40,22	7,00	32	25X50X8	S	25,00	50,00	50,20	8,00	32
		.984	1.575	1.583	.276				.984	1.969	1.976	.315	
*25X40X7V	V	25,00	40,00	40,20	7,00	35	25X50X10	S	25,00	50,00	50,28	10,00	35
		.984	1.575	1.583	.276				.984	1.969	1.980	.394	
*25X41X6	S	25,00	40,80	41,00	6,00	32	*25X50X10V	V	25,00	50,00	50,20	10,00	35
		.984	1.606	1.614	.236				.984	1.969	1.976	.394	
*25X41X7	S	25,00	40,80	41,00	7,00	32	*25X52X12	S	25,00	51,75	52,00	12,00	32
		.984	1.606	1.614	.276				.984	2.037	2.047	.472	
*25X42X7	S	25,00	41,80	42,00	7,00	32	25X52X7	S	25,00	52,00	52,27	7,00	32
		.984	1.646	1.654	.276				.984	2.047	2.058	.276	
*25X42X12	S	25,00	41,80	42,00	12,00	32	*25X52X7V	V	25,00	52,00	52,20	7,00	35
		.984	1.646	1.654	.472				.984	2.047	2.055	.276	
*25X42X5.5	S	25,00	41,80	42,00	5,50	32	25X52X8	S	25,00	52,00	52,20	8,00	35
		.984	1.646	1.654	.217				.984	2.047	2.055	.315	
25X42X6	S	25,00	42,00	42,20	6,00	32	*25X52X9.5	S	25,00	51,75	52,00	9,50	32
		.984	1.654	1.661	.236				.984	2.037	2.047	.374	
*25X42X7V	V	25,00	42,00	42,20	7,00	32	25X52X10	S	25,00	52,00	52,20	10,00	35
		.984	1.654	1.661	.276				.984	2.047	2.055	.394	
25X42X8	S	25,00	42,00	42,20	8,00	32	*25X53X10	S	25,00	52,75	53,00	10,00	32
		.984	1.654	1.661	.315				.984	2.077	2.087	.394	
*25X42X8.5	S	25,00	41,80	42,00	8,50	32	*25X54X8	S	25,00	54,00	54,20	8,00	32
		.984	1.646	1.654	.335				.984	2.126	2.134	.315	
25X42X10	S	25,00	42,00	42,28	10,00	35	*25X55X10	S	25,00	54,75	55,00	10,00	32
		.984	1.654	1.665	.394				.984	2.155	2.165	.394	

For Illustration and Material Data See Technical Section
 * Call 1-800-480-1212 For Price and Delivery

Part No.	Lip Mat'l	Shaft Size	Hsg. Bore	Seal O.D.	Seal Width	Type/ Illus.	Part No.	Lip Mat'l	Shaft Size	Hsg. Bore	Seal O.D.	Seal Width	Type/ Illus.
METRIC SERIES (cont.)							METRIC SERIES (cont.)						
* 25X55X12	S	25,00	54,75	55,00	12,00	32	* 26X42X8	S	26,00	41,80	42,00	8,00	32
		.984	2.155	2.165	.472				1.024	1.646	1.654	.315	
* 25X55X8	S	25,00	55,00	55,20	8,00	32	26X42X7	S	26,00	42,00	42,20	7,00	32
		.984	2.165	2.173	.315				1.024	1.654	1.661	.276	
* 25X56X8	S	25,00	56,00	56,20	8,00	32	26X42X10	S	26,00	42,00	42,23	10,00	32
		.984	2.205	2.213	.315				1.024	1.654	1.663	.394	
* 25X58X10	S	25,00	57,75	58,00	10,00	32	* 26X43X8	S	26,00	42,80	43,00	8,00	32
		.984	2.273	2.283	.394				1.024	1.685	1.693	.315	
* 25X58X8	S	25,00	58,00	58,20	8,00	32	* 26X44X7	S	26,00	43,80	44,00	7,00	32
		.984	2.283	2.291	.315				1.024	1.724	1.732	.276	
* 25X60X10	S	25,00	59,75	60,00	10,00	32	* 26X45X7	S	26,00	44,80	45,00	7,00	32
		.984	2.352	2.362	.394				1.024	1.764	1.772	.276	
* 25X60X8	S	25,00	60,00	60,20	8,00	32	* 26X45X10	S	26,00	44,80	45,00	10,00	32
		.984	2.362	2.370	.315				1.024	1.764	1.772	.394	
* 25X62X8	S	25,00	61,75	62,00	8,00	32	* 26X45X8	S	26,00	45,00	45,20	8,00	32
		.984	2.431	2.441	.315				1.024	1.772	1.780	.315	
25X62X7	S	25,00	62,00	62,20	7,00	32	* 26X46X8	S	26,00	46,00	46,20	8,00	32
		.984	2.441	2.449	.276				1.024	1.811	1.819	.315	
* 25X62X7V	V	25,00	62,00	62,20	7,00	35	* 26X47X6	S	26,00	46,80	47,00	6,00	32
		.984	2.441	2.449	.276				1.024	1.842	1.850	.236	
25X62X10	S	25,00	62,00	62,28	10,00	32	* 26X47X8	S	26,00	46,80	47,00	8,00	32
		.984	2.441	2.452	.394				1.024	1.842	1.850	.315	
* 25X65X10	S	25,00	64,75	65,00	10,00	32	* 26X47X10	S	26,00	46,80	47,00	10,00	32
		.984	2.549	2.559	.394				1.024	1.842	1.850	.394	
* 25X66X8.5	S	25,00	65,75	66,00	8,50	32	* 26X47X11	S	26,00	46,80	47,00	11,00	32
		.984	2.588	2.598	.335				1.024	1.842	1.850	.433	
* 25X70X10	S	25,00	69,75	70,00	10,00	32	* 26X47X12	S	26,00	46,80	47,00	12,00	32
		.984	2.746	2.756	.394				1.024	1.842	1.850	.472	
* 25X72X8	S	25,00	71,75	72,00	8,00	32	26X47X7	S	26,00	47,00	47,23	7,00	32
		.984	2.825	2.835	.315				1.024	1.850	1.859	.276	
* 25X80X10	S	25,00	79,72	80,00	10,00	32	* 26X48X8	S	26,00	47,80	48,00	8,00	32
		.984	3.139	3.150	.394				1.024	1.882	1.890	.315	
* 25X41.2X8	S	25,00	41,00	41,20	8,00	32	26X48X7	S	26,00	48,00	48,23	7,00	32
		.984	1.614	1.622	.315				1.024	1.890	1.899	.276	
* 25X41.5X7	S	25,00	41,30	41,50	7,00	32	* 26X50X7	S	26,00	49,80	50,00	7,00	32
		.984	1.626	1.634	.276				1.024	1.961	1.969	.276	
* 25X41.5X10	S	25,00	41,30	41,50	10,00	32	* 26X50X10	S	26,00	49,80	50,00	10,00	32
		.984	1.626	1.634	.394				1.024	1.961	1.969	.394	
* 25X42.9X9.5	S	25,00	42,70	42,90	9,50	32	* 26X50X8	S	26,00	50,00	50,20	8,00	32
		.984	1.681	1.689	.374				1.024	1.969	1.976	.315	
* 25X41.25X6	S	25,00	41,05	41,25	6,00	32	* 26X52X7	S	26,00	51,75	52,00	7,00	32
		.984	1.616	1.624	.236				1.024	2.037	2.047	.276	
* 25X41.25X7	S	25,00	41,05	41,25	7,00	32	26X52X8	S	26,00	52,00	52,20	8,00	32
		.984	1.616	1.624	.276				1.024	2.047	2.055	.315	
* 25X44.45X10	S	25,00	44,25	44,45	10,00	32	* 26X62X9	S	26,00	61,75	62,00	9,00	32
		.984	1.742	1.750	.394				1.024	2.431	2.441	.354	
* 25.7X35X7	S	25,70	34,80	35,00	7,00	32	* 26X72X10	S	26,00	71,75	72,00	10,00	32
		1.012	1.370	1.378	.276				1.024	2.825	2.835	.394	
* 26X35X7	S	26,00	34,80	35,00	7,00	32	* 26X41.3X10	S	26,00	41,10	41,30	10,00	32
		1.024	1.370	1.378	.276				1.024	1.618	1.626	.394	
* 26X36X5	S	26,00	35,80	36,00	5,00	32	* 27X36X6	S	27,00	35,80	36,00	6,00	32
		1.024	1.409	1.417	.197				1.063	1.409	1.417	.236	
* 26X36X7	S	26,00	35,80	36,00	7,00	32	27X37X7	S	27,00	37,00	37,15	7,00	35
		1.024	1.409	1.417	.276				1.063	1.457	1.463	.276	
* 26X37X8	S	26,00	36,80	37,00	8,00	32	* 27X37X7V	V	27,00	37,00	37,20	7,00	35
		1.024	1.449	1.457	.315				1.063	1.457	1.465	.276	
26X37X7	S	26,00	37,00	37,20	7,00	32	* 27X37X8.5	S	27,00	36,80	37,00	8,50	32
		1.024	1.457	1.465	.276				1.063	1.449	1.457	.335	
* 26X38X7	S	26,00	37,80	38,00	7,00	32	* 27X38X5	S	27,00	37,80	38,00	5,00	32
		1.024	1.488	1.496	.276				1.063	1.488	1.496	.197	
* 26X38X8	S	26,00	37,80	38,00	8,00	32	* 27X38X6	S	27,00	37,80	38,00	6,00	32
		1.024	1.488	1.496	.315				1.063	1.488	1.496	.236	
26X38X5	S	26,00	38,00	38,20	5,00	32	* 27X40X6	S	27,00	39,80	40,00	6,00	32
		1.024	1.496	1.504	.197				1.063	1.567	1.575	.236	
* 26X40X8	S	26,00	39,80	40,00	8,00	32	* 27X40X7	S	27,00	39,80	40,00	7,00	32
		1.024	1.567	1.575	.315				1.063	1.567	1.575	.276	
* 26X40X10	S	26,00	39,80	40,00	10,00	32	* 27X40X8	S	27,00	39,80	40,00	8,00	32
		1.024	1.567	1.575	.394				1.063	1.567	1.575	.315	
26X40X7	S	26,00	40,00	40,20	7,00	32	* 27X40X10	S	27,00	39,80	40,00	10,00	32
		1.024	1.575	1.583	.276				1.063	1.567	1.575	.394	

NUMERICAL SECTION

For Illustration and Material Data See Technical Section
 * Call 1-800-480-1212 For Price and Delivery

Numerical List Size & Type

NATIONAL®



Part No.	Lip Mat'l	Shaft Size	Hsg. Bore	Seal O.D.	Seal Width	Type/Illus.	Part No.	Lip Mat'l	Shaft Size	Hsg. Bore	Seal O.D.	Seal Width	Type/Illus.
METRIC SERIES (cont.)							METRIC SERIES (cont.)						
*27X40X12	S	27,00	39,80	40,00	12,00	32	*28X43X6	S	28,00	42,80	43,00	6,00	32
		1.063	1.567	1.575	.472				1.102	1.685	1.693	.236	
*27X42X5	S	27,00	41,80	42,00	5,00	32	*28X43X10	S	28,00	42,80	43,00	10,00	32
		1.063	1.646	1.654	.197				1.102	1.685	1.693	.394	
*27X42X8	S	27,00	41,80	42,00	8,00	32	*28X44X7	S	28,00	43,80	44,00	7,00	32
		1.063	1.646	1.654	.315				1.102	1.724	1.732	.276	
27X42X7	S	27,00	42,00	42,20	7,00	35	*28X44X8	S	28,00	43,80	44,00	8,00	32
		1.063	1.654	1.661	.276				1.102	1.724	1.732	.315	
27X42X10	S	27,00	42,00	42,23	10,00	35	28X44X6	N	28,00	44,00	44,23	6,00	32
		1.063	1.654	1.663	.394				1.102	1.732	1.741	.236	
*27X43X9	S	27,00	42,80	43,00	9,00	32	*28X45X7	S	28,00	44,80	45,00	7,00	32
		1.063	1.685	1.693	.354				1.102	1.764	1.772	.276	
27X43X8	S	27,00	43,00	43,20	8,00	32	*28X45X10	S	28,00	44,80	45,00	10,00	32
		1.063	1.693	1.701	.315				1.102	1.764	1.772	.394	
27X45X8	S	27,00	45,00	45,25	8,00	35	*28X45X7V	V	28,00	45,00	45,20	7,00	35
		1.063	1.772	1.781	.315				1.102	1.772	1.780	.276	
*27X46X8	S	27,00	46,00	46,20	8,00	32	28X45X8	S	28,00	45,00	45,20	8,00	32
		1.063	1.811	1.819	.315				1.102	1.772	1.780	.315	
*27X47X7	S	27,00	46,80	47,00	7,00	32	*28X45X8.7	S	28,00	44,80	45,00	8,70	32
		1.063	1.842	1.850	.276				1.102	1.764	1.772	.343	
*27X47X8	S	27,00	47,00	47,23	8,00	35	*28X46X8	S	28,00	46,00	46,20	8,00	32
		1.063	1.850	1.859	.315				1.102	1.811	1.819	.315	
27X47X10	S	27,00	47,00	47,23	10,00	35	*28X47X6	S	28,00	46,80	47,00	6,00	32
		1.063	1.850	1.859	.394				1.102	1.842	1.850	.236	
*27X48X8	S	27,00	48,00	48,20	8,00	32	*28X47X9	S	28,00	46,80	47,00	9,00	32
		1.063	1.890	1.898	.315				1.102	1.842	1.850	.354	
*27X50X10	S	27,00	49,80	50,00	10,00	32	*28X47X10	S	28,00	46,80	47,00	10,00	32
		1.063	1.961	1.969	.394				1.102	1.842	1.850	.394	
*27X50X8	S	27,00	50,00	50,20	8,00	32	28X47X7	S	28,00	47,00	47,22	7,00	32
		1.063	1.969	1.976	.315				1.102	1.850	1.859	.276	
27X52X8	S	27,00	52,00	52,20	8,00	35	*28X47X7V	V	28,00	47,00	47,20	7,00	35
		1.063	2.047	2.055	.315				1.102	1.850	1.858	.276	
*27X53X7	S	27,00	52,75	53,00	7,00	32	*28X47X8	S	28,00	47,00	47,22	8,00	33
		1.063	2.077	2.087	.276				1.102	1.850	1.859	.315	
*27.6X40X5.5	S	27,60	39,80	40,00	5,50	32	*28X48X7	S	28,00	47,80	48,00	7,00	32
		1.087	1.567	1.575	.217				1.102	1.882	1.890	.276	
*28X35X5	S	28,00	34,80	35,00	5,00	32	*28X48X11	S	28,00	47,80	48,00	11,00	32
		1.102	1.370	1.378	.197				1.102	1.882	1.890	.433	
*28X35X7	S	28,00	34,80	35,00	7,00	32	28X48X8	S	28,00	48,00	48,20	8,00	32
		1.102	1.370	1.378	.276				1.102	1.890	1.898	.315	
*28X35X10	S	28,00	34,80	35,00	10,00	32	*28X50X10	S	28,00	49,80	50,00	10,00	32
		1.102	1.370	1.378	.394				1.102	1.961	1.969	.394	
*28X36X7	S	28,00	35,80	36,00	7,00	32	*28X50X8	S	28,00	50,00	50,20	8,00	32
		1.102	1.409	1.417	.276				1.102	1.969	1.976	.315	
*28X38X5	S	28,00	37,80	38,00	5,00	32	*28X51X10	S	28,00	50,75	51,00	10,00	32
		1.102	1.488	1.496	.197				1.102	1.998	2.008	.394	
*28X38X8	S	28,00	37,80	38,00	8,00	32	*28X52X6	S	28,00	51,75	52,00	6,00	32
		1.102	1.488	1.496	.315				1.102	2.037	2.047	.236	
28X38X7	S	28,00	38,00	38,23	7,00	32	*28X52X8	S	28,00	51,75	52,00	8,00	32
		1.102	1.496	1.505	.276				1.102	2.037	2.047	.315	
*28X40X9	S	28,00	39,80	40,00	9,00	32	*28X52X10	S	28,00	51,75	52,00	10,00	32
		1.102	1.567	1.575	.354				1.102	2.037	2.047	.394	
*28X40X10	S	28,00	39,80	40,00	10,00	32	28X52X7	S	28,00	52,00	52,23	7,00	32
		1.102	1.567	1.575	.394				1.102	2.047	2.056	.276	
28X40X7	S	28,00	40,00	40,26	7,00	32	*28X52X7V	V	28,00	52,00	52,20	7,00	32
		1.102	1.575	1.585	.276				1.102	2.047	2.055	.276	
*28X40X7V	V	28,00	40,00	40,20	7,00	35	*28X56X6	S	28,00	55,75	56,00	6,00	32
		1.102	1.575	1.583	.276				1.102	2.195	2.205	.236	
28X40X8	S	28,00	40,00	40,20	8,00	32	*28X56X7	S	28,00	55,75	56,00	7,00	32
		1.102	1.575	1.583	.315				1.102	2.195	2.205	.276	
*28X42X6	S	28,00	41,80	42,00	6,00	32	*28X58X6	S	28,00	57,75	58,00	6,00	32
		1.102	1.646	1.654	.236				1.102	2.273	2.283	.236	
*28X42X7	S	28,00	41,80	42,00	7,00	32	*28X58X10	S	28,00	57,75	58,00	10,00	32
		1.102	1.646	1.654	.276				1.102	2.273	2.283	.394	
*28X42X10	S	28,00	41,80	42,00	10,00	32	*28X62X10	S	28,00	61,75	62,00	10,00	32
		1.102	1.646	1.654	.394				1.102	2.431	2.441	.394	
28X42X8	S	28,00	42,00	42,23	8,00	35	*28X41.5X8	S	28,00	41,30	41,50	8,00	32
		1.102	1.654	1.663	.315				1.102	1.626	1.634	.315	
*28X42X10V	V	28,00	42,00	42,20	10,00	35	*28X42.5X8	S	28,00	42,30	42,50	8,00	32
		1.102	1.654	1.661	.394				1.102	1.665	1.673	.315	

For Illustration and Material Data See Technical Section
 * Call 1-800-480-1212 For Price and Delivery

Part No.	Lip Mat'l	Shaft Size	Hsg. Bore	Seal O.D.	Seal Width	Type/ Illus.	Part No.	Lip Mat'l	Shaft Size	Hsg. Bore	Seal O.D.	Seal Width	Type/ Illus.
METRIC SERIES (cont.)							METRIC SERIES (cont.)						
* 28X41.25X6	S	28,00	41,05	41,25	6,00	32	* 30X45X6	S	30,00	44,80	45,00	6,00	32
		1.102	1.616	1.624	.236				1.181	1.764	1.772	.236	
* 28.5X39.5X9.5	S	28,50	39,30	39,50	9,50	32	* 30X45X7	S	30,00	44,80	45,00	7,00	32
		1.122	1.547	1.555	.374				1.181	1.764	1.772	.276	
* 28.6X40X8	S	28,60	39,80	40,00	8,00	32	* 30X45X10	S	30,00	44,80	45,00	10,00	32
		1.126	1.567	1.575	.315				1.181	1.764	1.772	.394	
* 29X43X8	S	29,00	42,80	43,00	8,00	32	* 30X45X13	S	30,00	44,80	45,00	13,00	32
		1.142	1.685	1.693	.315				1.181	1.764	1.772	.512	
* 29X44X7	S	29,00	43,80	44,00	7,00	32	30X45X5	S	30,00	45,00	45,22	5,00	32
		1.142	1.724	1.732	.276				1.181	1.772	1.780	.197	
* 29X45X9	S	29,00	44,80	45,00	9,00	32	30X45X8	S	30,00	45,00	45,20	8,00	32
		1.142	1.764	1.772	.354				1.181	1.772	1.780	.315	
* 29X46X10	S	29,00	45,80	46,00	10,00	32	* 30X45X8V	V	30,00	45,00	45,20	8,00	35
		1.142	1.803	1.811	.394				1.181	1.772	1.780	.315	
* 29X47X8	S	29,00	46,80	47,00	8,00	32	* 30X46X8	S	30,00	45,80	46,00	8,00	32
		1.142	1.842	1.850	.315				1.181	1.803	1.811	.315	
* 29X47X10	S	29,00	46,80	47,00	10,00	32	30X46X7	S	30,00	46,00	46,20	7,00	32
		1.142	1.842	1.850	.394				1.181	1.811	1.819	.276	
* 29X50X10	S	29,00	49,80	50,00	10,00	32	* 30X47X5	S	30,00	46,80	47,00	5,00	32
		1.142	1.961	1.969	.394				1.181	1.842	1.850	.197	
* 29X56X10	S	29,00	55,75	56,00	10,00	32	* 30X47X6	S	30,00	46,80	47,00	6,00	32
		1.142	2.195	2.205	.394				1.181	1.842	1.850	.236	
* 29X62.2X9	S	29,00	61,95	62,20	9,00	32	* 30X47X8	S	30,00	46,80	47,00	8,00	32
		1.142	2.439	2.449	.354				1.181	1.842	1.850	.315	
* 30X37X6	S	30,00	36,80	37,00	6,00	32	* 30X47X10	S	30,00	46,80	47,00	10,00	32
		1.181	1.449	1.457	.236				1.181	1.842	1.850	.394	
* 30X38X5	S	30,00	37,80	38,00	5,00	32	30X47X7	S	30,00	47,00	47,25	7,00	32
		1.181	1.488	1.496	.197				1.181	1.850	1.860	.276	
* 30X38X6	S	30,00	37,80	38,00	6,00	32	* 30X47X7V	V	30,00	47,00	47,20	7,00	32
		1.181	1.488	1.496	.236				1.181	1.850	1.858	.276	
* 30X38X7	S	30,00	37,80	38,00	7,00	32	* 30X48X7	S	30,00	47,80	48,00	7,00	32
		1.181	1.488	1.496	.276				1.181	1.882	1.890	.276	
* 30X40X5	S	30,00	39,80	40,00	5,00	32	* 30X48X10	S	30,00	47,80	48,00	10,00	32
		1.181	1.567	1.575	.197				1.181	1.882	1.890	.394	
* 30X40X8	S	30,00	39,80	40,00	8,00	32	30X48X8	S	30,00	48,00	48,28	8,00	32
		1.181	1.567	1.575	.315				1.181	1.890	1.901	.315	
* 30X40X10	S	30,00	39,80	40,00	10,00	32	* 30X49X8	S	30,00	48,80	49,00	8,00	32
		1.181	1.567	1.575	.394				1.181	1.921	1.929	.315	
* 30X40X12	S	30,00	39,80	40,00	12,00	32	* 30X50X10	S	30,00	49,80	50,00	10,00	32
		1.181	1.567	1.575	.472				1.181	1.961	1.969	.394	
30X40X7	S	30,00	40,00	40,23	7,00	32	* 30X50X11	S	30,00	49,80	50,00	11,00	32
		1.181	1.575	1.584	.276				1.181	1.961	1.969	.433	
* 30X40X7V	V	30,00	40,00	40,20	7,00	32	* 30X50X11	S	30,00	49,80	50,00	11,00	32
		1.181	1.575	1.583	.276				1.181	1.961	1.969	.433	
* 30X41X7	S	30,00	40,80	41,00	7,00	32	* 30X50X12	S	30,00	49,80	50,00	12,00	32
		1.181	1.606	1.614	.276				1.181	1.961	1.969	.472	
* 30X42X8	S	30,00	41,80	42,00	8,00	32	30X50X7	S	30,00	50,00	50,23	7,00	32
		1.181	1.646	1.654	.315				1.181	1.969	1.978	.276	
* 30X42X10	S	30,00	41,80	42,00	10,00	32	30X50X8	S	30,00	50,00	50,20	8,00	48
		1.181	1.646	1.654	.394				1.181	1.969	1.976	.315	
* 30X42X4.5	S	30,00	41,80	42,00	4,50	32	* 30X50X10V	V	30,00	50,00	50,20	10,00	35
		1.181	1.646	1.654	.177				1.181	1.969	1.976	.394	
30X42X7	S	30,00	42,00	42,20	7,00	35	* 30X51X10	S	30,00	50,75	51,00	10,00	32
		1.181	1.654	1.661	.276				1.181	1.998	2.008	.394	
* 30X42X7V	V	30,00	42,00	42,20	7,00	32	* 30X52X8	S	30,00	51,75	52,00	8,00	32
		1.181	1.654	1.661	.276				1.181	2.037	2.047	.315	
* 30X43X7	S	30,00	42,80	43,00	7,00	32	* 30X52X10	S	30,00	51,75	52,00	10,00	32
		1.181	1.685	1.693	.276				1.181	2.037	2.047	.394	
* 30X43X8	S	30,00	42,80	43,00	8,00	32	* 30X52X11	S	30,00	51,75	52,00	11,00	32
		1.181	1.685	1.693	.315				1.181	2.037	2.047	.433	
* 30X43X9	S	30,00	42,80	43,00	9,00	32	* 30X52X12	S	30,00	51,75	52,00	12,00	32
		1.181	1.685	1.693	.354				1.181	2.037	2.047	.472	
* 30X43X8.5	S	30,00	42,80	43,00	8,50	32	30X52X7	S	30,00	52,00	52,23	7,00	35
		1.181	1.685	1.693	.335				1.181	2.047	2.056	.276	
* 30X44X9	S	30,00	43,80	44,00	9,00	32	* 30X52X10V	V	30,00	52,00	52,20	10,00	32
		1.181	1.724	1.732	.354				1.181	2.047	2.055	.394	
* 30X44X10	S	30,00	43,80	44,00	10,00	32	* 30X54X9	S	30,00	53,75	54,00	9,00	32
		1.181	1.724	1.732	.394				1.181	2.116	2.126	.354	
30X44X7	S	30,00	44,00	44,28	7,00	32	* 30X55X8	S	30,00	54,75	55,00	8,00	32
		1.181	1.732	1.743	.276				1.181	2.155	2.165	.315	

NUMERICAL SECTION

For Illustration and Material Data See Technical Section
 * Call 1-800-480-1212 For Price and Delivery

Numerical List Size & Type

NATIONAL®



Part No.	Lip Mat'l	Shaft Size	Hsg. Bore	Seal O.D.	Seal Width	Type/ Illus.	Part No.	Lip Mat'l	Shaft Size	Hsg. Bore	Seal O.D.	Seal Width	Type/ Illus.
METRIC SERIES (cont.)							METRIC SERIES (cont.)						
*30X55X11	S	30,00	54,75	55,00	11,00	32	*30X80X10	S	30,00	79,72	80,00	10,00	32
		1.181	2.155	2.165	.433				1.181	3.139	3.150	.394	
*30X55X12	S	30,00	54,75	55,00	12,00	32	*30X44.5X7	S	30,00	44,30	44,50	7,00	32
		1.181	2.155	2.165	.472				1.181	1.744	1.752	.276	
30X55X7	S	30,00	55,00	55,20	7,00	47	*30X48.5X8	S	30,00	48,30	48,50	8,00	32
		1.181	2.165	2.173	.276				1.181	1.901	1.909	.315	
30X55X10	S	30,00	55,00	55,28	10,00	35	*30.5X52X8	S	30,50	51,75	52,00	8,00	32
		1.181	2.165	2.176	.394				1.201	2.037	2.047	.315	
*30X55X10V	V	30,00	55,00	55,20	10,00	32	31X44X8	S	31,00	44,00	44,20	8,00	32
		1.181	2.165	2.173	.394				1.220	1.732	1.740	.315	
*30X56X10	S	30,00	55,75	56,00	10,00	32	*31X47X10	S	31,00	46,80	47,00	10,00	32
		1.181	2.195	2.205	.394				1.220	1.842	1.850	.394	
*30X56X12	S	30,00	55,75	56,00	12,00	32	*31X49X7	S	31,00	48,80	49,00	7,00	32
		1.181	2.195	2.205	.472				1.220	1.921	1.929	.276	
30X56X8	S	30,00	56,00	56,20	8,00	35	*31X50X8	S	31,00	49,80	50,00	8,00	32
		1.181	2.205	2.213	.315				1.220	1.961	1.969	.315	
*30X57X10	S	30,00	56,75	57,00	10,00	32	*31X52X6	S	31,00	51,75	52,00	6,00	32
		1.181	2.234	2.244	.394				1.220	2.037	2.047	.236	
*30X58X10	S	30,00	57,75	58,00	10,00	32	*31X52X7	S	31,00	51,75	52,00	7,00	32
		1.181	2.273	2.283	.394				1.220	2.037	2.047	.276	
*30X58X8	S	30,00	58,00	58,20	8,00	32	*32X40X7	S	32,00	39,80	40,00	7,00	32
		1.181	2.283	2.291	.315				1.260	1.567	1.575	.276	
*30X60X7	S	30,00	59,75	60,00	7,00	32	*32X40X10	S	32,00	39,80	40,00	10,00	32
		1.181	2.352	2.362	.276				1.260	1.567	1.575	.394	
*30X60X10	S	30,00	59,75	60,00	10,00	32	*32X41X7	S	32,00	40,80	41,00	7,00	32
		1.181	2.352	2.362	.394				1.260	1.606	1.614	.276	
*30X60X8	S	30,00	60,00	60,20	8,00	32	*32X42X6	S	32,00	41,80	42,00	6,00	32
		1.181	2.362	2.370	.315				1.260	1.646	1.654	.236	
*30X62X5	S	30,00	61,75	62,00	5,00	32	32X42X7	S	32,00	42,00	42,20	7,00	35
		1.181	2.431	2.441	.197				1.260	1.654	1.661	.276	
*30X62X8	S	30,00	61,75	62,00	8,00	32	32X42X8	S	32,00	42,00	42,20	8,00	32
		1.181	2.431	2.441	.315				1.260	1.654	1.661	.315	
*30X62X9	S	30,00	61,75	62,00	9,00	32	32X43X7	S	32,00	43,00	43,20	7,00	32
		1.181	2.431	2.441	.354				1.260	1.693	1.701	.276	
*30X62X10	S	30,00	61,75	62,00	10,00	32	*32X44X5	S	32,00	43,80	44,00	5,00	32
		1.181	2.431	2.441	.394				1.260	1.724	1.732	.197	
*30X62X11	S	30,00	61,75	62,00	11,00	32	*32X44X6	S	32,00	43,80	44,00	6,00	32
		1.181	2.431	2.441	.433				1.260	1.724	1.732	.236	
*30X62X12	S	30,00	61,75	62,00	12,00	32	*32X44X7	S	32,00	43,80	44,00	7,00	32
		1.181	2.431	2.441	.472				1.260	1.724	1.732	.276	
30X62X7	S	30,00	62,00	62,28	7,00	32	*32X44X8	S	32,00	43,80	44,00	8,00	32
		1.181	2.441	2.452	.276				1.260	1.724	1.732	.315	
*30X62X7V	V	30,00	62,00	62,20	7,00	35	*32X44X8	S	32,00	43,80	44,00	8,00	32
		1.181	2.441	2.449	.276				1.260	1.724	1.732	.315	
*30X65X10	S	30,00	64,75	65,00	10,00	32	*32X44X9	S	32,00	43,80	44,00	9,00	32
		1.181	2.549	2.559	.394				1.260	1.724	1.732	.354	
*30X65X8	S	30,00	65,00	65,20	8,00	32	*32X44X10	S	32,00	43,80	44,00	10,00	32
		1.181	2.559	2.567	.315				1.260	1.724	1.732	.394	
*30X68X10	S	30,00	67,75	68,00	10,00	32	*32X45X6	S	32,00	44,80	45,00	6,00	32
		1.181	2.667	2.677	.394				1.260	1.764	1.772	.236	
*30X68X8	S	30,00	68,00	68,20	8,00	32	*32X45X8	S	32,00	44,80	45,00	8,00	32
		1.181	2.677	2.685	.315				1.260	1.764	1.772	.315	
*30X70X8	S	30,00	70,00	70,20	8,00	32	*32X45X10	S	32,00	44,80	45,00	10,00	32
		1.181	2.756	2.764	.315				1.260	1.764	1.772	.394	
*30X72X8	S	30,00	71,75	72,00	8,00	32	*32X45X6.5	S	32,00	44,80	45,00	6,50	32
		1.181	2.825	2.835	.315				1.260	1.764	1.772	.256	
30X72X7	S	30,00	72,00	72,20	7,00	47	32X45X7	S	32,00	45,00	45,23	7,00	32
		1.181	2.835	2.843	.276				1.260	1.772	1.781	.276	
*30X72X8V	V	30,00	72,00	72,20	8,00	32	*32X46X7	S	32,00	45,80	46,00	7,00	32
		1.181	2.835	2.843	.315				1.260	1.803	1.811	.276	
30X72X10	S	30,00	72,00	72,27	10,00	35	*32X46X8	S	32,00	45,80	46,00	8,00	32
		1.181	2.835	2.845	.394				1.260	1.803	1.811	.315	
*30X75X9	S	30,00	74,75	75,00	9,00	32	32X46X6	S	32,00	46,00	46,23	6,00	32
		1.181	2.943	2.953	.354				1.260	1.811	1.820	.236	
*30X75X10	S	30,00	74,75	75,00	10,00	32	*32X47X6	S	32,00	46,80	47,00	6,00	32
		1.181	2.943	2.953	.394				1.260	1.842	1.850	.236	
*30X77X9	S	30,00	76,72	77,00	9,00	32	*32X47X8	S	32,00	46,80	47,00	8,00	32
		1.181	3.020	3.031	.354				1.260	1.842	1.850	.315	
*30X77X10	S	30,00	76,72	77,00	10,00	32	*32X47X10	S	32,00	46,80	47,00	10,00	32
		1.181	3.020	3.031	.394				1.260	1.842	1.850	.394	

For Illustration and Material Data See Technical Section
 * Call 1-800-480-1212 For Price and Delivery

Part No.	Lip Mat'l	Shaft Size	Hsg. Bore	Seal O.D.	Seal Width	Type/ Illus.	Part No.	Lip Mat'l	Shaft Size	Hsg. Bore	Seal O.D.	Seal Width	Type/ Illus.
METRIC SERIES (cont.)							METRIC SERIES (cont.)						
32X47X7	S	32,00	47,00	47,23	7,00	35	*32X65X10	S	32,00	64,75	65,00	10,00	32
		1,260	1,850	1,859	.276				1,260	2,549	2,559	.394	
*32X47X7V	V	32,00	47,00	47,20	7,00	32	*32X65X7.5	S	32,00	64,75	65,00	7,50	32
		1,260	1,850	1,858	.276				1,260	2,549	2,559	.295	
*32X48X7	S	32,00	47,80	48,00	7,00	32	*32X70X8	S	32,00	69,75	70,00	8,00	32
		1,260	1,882	1,890	.276				1,260	2,746	2,756	.315	
*32X48X10	S	32,00	47,80	48,00	10,00	32	*32X70X11	S	32,00	69,75	70,00	11,00	32
		1,260	1,882	1,890	.394				1,260	2,746	2,756	.433	
32X48X8	S	32,00	48,00	48,20	8,00	32	*32X72X10	S	32,00	71,75	72,00	10,00	32
		1,260	1,890	1,898	.315				1,260	2,825	2,835	.394	
*32X48X8V	V	32,00	48,00	48,20	8,00	35	32X72X8	S	32,00	72,00	72,20	8,00	32
		1,260	1,890	1,898	.315				1,260	2,835	2,843	.315	
*32X50X7	S	32,00	49,80	50,00	7,00	32	*32X44.5X8	S	32,00	44,30	44,50	8,00	32
		1,260	1,961	1,969	.276				1,260	1,744	1,752	.315	
*32X50X10	S	32,00	49,80	50,00	10,00	32	*32X44.5X10	S	32,00	44,30	44,50	10,00	32
		1,260	1,961	1,969	.394				1,260	1,744	1,752	.394	
32X50X8	S	32,00	50,00	50,23	8,00	35	*33X44X7	S	33,00	43,80	44,00	7,00	32
		1,260	1,969	1,978	.315				1,299	1,724	1,732	.276	
*32X50X10V	V	32,00	50,00	50,20	10,00	35	*33X44X8	S	33,00	43,80	44,00	8,00	32
		1,260	1,969	1,976	.394				1,299	1,724	1,732	.315	
*32X52X8	S	32,00	51,75	52,00	8,00	32	*33X45X8	S	33,00	44,80	45,00	8,00	32
		1,260	2,037	2,047	.315				1,299	1,764	1,772	.315	
*32X52X10	S	32,00	51,75	52,00	10,00	32	*33X45X10	S	33,00	44,80	45,00	10,00	32
		1,260	2,037	2,047	.394				1,299	1,764	1,772	.394	
*32X52X11	S	32,00	51,75	52,00	11,00	32	*33X46X7	S	33,00	45,80	46,00	7,00	32
		1,260	2,037	2,047	.433				1,299	1,803	1,811	.276	
*32X52X12	S	32,00	51,75	52,00	12,00	32	*33X47X8	S	33,00	46,80	47,00	8,00	32
		1,260	2,037	2,047	.472				1,299	1,842	1,850	.315	
32X52X7	S	32,00	52,00	52,28	7,00	32	*33X48X6	S	33,00	47,80	48,00	6,00	32
		1,260	2,047	2,058	.276				1,299	1,882	1,890	.236	
*32X52X7V	V	32,00	52,00	52,20	7,00	35	*33X48X8	S	33,00	47,80	48,00	8,00	32
		1,260	2,047	2,055	.276				1,299	1,882	1,890	.315	
*32X53X7	S	32,00	52,75	53,00	7,00	32	*33X50X6	S	33,00	49,80	50,00	6,00	32
		1,260	2,077	2,087	.276				1,299	1,961	1,969	.236	
*32X54X8	S	32,00	53,75	54,00	8,00	32	*33X50X7	S	33,00	49,80	50,00	7,00	32
		1,260	2,116	2,126	.315				1,299	1,961	1,969	.276	
32X54X10	S	32,00	54,00	54,23	10,00	32	*33X50X10	S	33,00	49,80	50,00	10,00	32
		1,260	2,126	2,135	.394				1,299	1,961	1,969	.394	
*32X55X7	S	32,00	54,75	55,00	7,00	32	33X50X12	S	33,00	50,00	50,25	12,00	32
		1,260	2,155	2,165	.276				1,299	1,969	1,978	.472	
*32X55X8	S	32,00	54,75	55,00	8,00	32	*33X52X5	S	33,00	51,75	52,00	5,00	32
		1,260	2,155	2,165	.315				1,299	2,037	2,047	.197	
*32X55X10	S	32,00	54,75	55,00	10,00	32	*33X52X10	S	33,00	51,75	52,00	10,00	32
		1,260	2,155	2,165	.394				1,299	2,037	2,047	.394	
*32X55X11	S	32,00	54,75	55,00	11,00	32	33X52X6	S	33,00	52,00	52,25	6,00	32
		1,260	2,155	2,165	.433				1,299	2,047	2,057	.236	
*32X55X6.5	S	32,00	54,75	55,00	6,50	32	*33X55X10	S	33,00	54,75	55,00	10,00	32
		1,260	2,155	2,165	.256				1,299	2,155	2,165	.394	
*32X56X8	S	32,00	55,75	56,00	8,00	32	*33X56X10	S	33,00	55,75	56,00	10,00	32
		1,260	2,195	2,205	.315				1,299	2,195	2,205	.394	
32X56X10	S	32,00	56,00	56,28	10,00	32	*33X56X12	S	33,00	55,75	56,00	12,00	32
		1,260	2,205	2,216	.394				1,299	2,195	2,205	.472	
*32X58X10	S	32,00	57,75	58,00	10,00	32	*33X62X7	S	33,00	61,75	62,00	7,00	32
		1,260	2,273	2,283	.394				1,299	2,431	2,441	.276	
*32X58X12	S	32,00	57,75	58,00	12,00	32	*33X72X10	S	33,00	71,75	72,00	10,00	32
		1,260	2,273	2,283	.472				1,299	2,825	2,835	.394	
32X58X8	S	32,00	58,00	58,20	8,00	32	*33X47.3X7	S	33,00	47,10	47,30	7,00	32
		1,260	2,283	2,291	.315				1,299	1,854	1,862	.276	
32X60X8	S	32,00	60,00	60,20	8,00	32	*34X42X5	S	34,00	41,80	42,00	5,00	32
		1,260	2,362	2,370	.315				1,339	1,646	1,654	.197	
32X60X10	S	32,00	60,00	60,20	10,00	48	*34X44X7	S	34,00	43,80	44,00	7,00	32
		1,260	2,362	2,370	.394				1,339	1,724	1,732	.276	
*32X62X10	S	32,00	61,75	62,00	10,00	32	*34X44X8	S	34,00	43,80	44,00	8,00	32
		1,260	2,431	2,441	.394				1,339	1,724	1,732	.315	
*32X62X12	S	32,00	61,75	62,00	12,00	32	34X45X8	S	34,00	45,00	45,20	8,00	32
		1,260	2,431	2,441	.472				1,339	1,772	1,780	.315	
32X62X8	S	32,00	62,00	62,20	8,00	32	*34X46X8	S	34,00	45,80	46,00	8,00	32
		1,260	2,441	2,449	.315				1,339	1,803	1,811	.315	
*32X65X8	S	32,00	64,75	65,00	8,00	32	*34X47X8	S	34,00	46,80	47,00	8,00	32
		1,260	2,549	2,559	.315				1,339	1,842	1,850	.315	

NUMERICAL SECTION

For Illustration and Material Data See Technical Section
 * Call 1-800-480-1212 For Price and Delivery

Numerical List Size & Type

NATIONAL®



Part No.	Lip Mat'l	Shaft Size	Hsg. Bore	Seal O.D.	Seal Width	Type/Illus.	Part No.	Lip Mat'l	Shaft Size	Hsg. Bore	Seal O.D.	Seal Width	Type/Illus.
METRIC SERIES (cont.)							METRIC SERIES (cont.)						
*34X47X9	S	34,00	46,80	47,00	9,00	32	*35X47X10	S	35,00	46,80	47,00	10,00	32
		1.339	1.842	1.850	.354			1.378	1.842	1.850	.394		
*34X48X7	S	34,00	47,80	48,00	7,00	32	35X47X7	S	35,00	47,00	47,23	7,00	35
		1.339	1.882	1.890	.276			1.378	1.850	1.859	.276		
*34X48X8	S	34,00	47,80	48,00	8,00	32	*35X47X7V	V	35,00	47,00	47,20	7,00	32
		1.339	1.882	1.890	.315			1.378	1.850	1.858	.276		
*34X50X7	S	34,00	49,80	50,00	7,00	32	*35X47X7.5	S	35,00	46,80	47,00	7,50	32
		1.339	1.961	1.969	.276			1.378	1.842	1.850	.295		
*34X50X8	S	34,00	49,80	50,00	8,00	32	*35X48X7	S	35,00	47,80	48,00	7,00	32
		1.339	1.961	1.969	.315			1.378	1.882	1.890	.276		
*34X50X10	S	34,00	49,80	50,00	10,00	32	*35X48X9	S	35,00	47,80	48,00	9,00	32
		1.339	1.961	1.969	.394			1.378	1.882	1.890	.354		
*34X50X12	S	34,00	49,80	50,00	12,00	32	*35X48X10	S	35,00	47,80	48,00	10,00	32
		1.339	1.961	1.969	.472			1.378	1.882	1.890	.394		
*34X52X10	S	34,00	51,75	52,00	10,00	32	35X48X8	S	35,00	48,00	48,20	8,00	32
		1.339	2.037	2.047	.394			1.378	1.890	1.898	.315		
*34X52X11	S	34,00	51,75	52,00	11,00	32	*35X49X6	S	35,00	48,80	49,00	6,00	32
		1.339	2.037	2.047	.433			1.378	1.921	1.929	.236		
34X52X8	S	34,00	52,00	52,28	8,00	32	*35X49X8	S	35,00	48,80	49,00	8,00	32
		1.339	2.047	2.058	.315			1.378	1.921	1.929	.315		
*34X53X8	S	34,00	52,75	53,00	8,00	32	*35X50X9	S	35,00	49,80	50,00	9,00	32
		1.339	2.077	2.087	.315			1.378	1.961	1.969	.354		
*34X54X8	S	34,00	53,75	54,00	8,00	32	*35X50X10	S	35,00	49,80	50,00	10,00	32
		1.339	2.116	2.126	.315			1.378	1.961	1.969	.394		
34X54X9	S	34,00	54,00	54,20	9,00	35	*35X50X11	S	35,00	49,80	50,00	11,00	32
		1.339	2.126	2.134	.354			1.378	1.961	1.969	.433		
*34X55X11	S	34,00	54,75	55,00	11,00	32	35X50X7	S	35,00	50,00	50,20	7,00	32
		1.339	2.155	2.165	.433			1.378	1.969	1.976	.276		
34X55X9	S	34,00	55,00	55,20	9,00	32	35X50X8	S	35,00	50,00	50,24	8,00	35
		1.339	2.165	2.173	.354			1.378	1.969	1.978	.315		
*34X56X8	S	34,00	56,00	56,20	8,00	32	*35X50X8V	V	35,00	50,00	50,20	8,00	32
		1.339	2.205	2.213	.315			1.378	1.969	1.976	.315		
*34X58X10	S	34,00	57,75	58,00	10,00	32	*35X51X7	S	35,00	50,75	51,00	7,00	32
		1.339	2.273	2.283	.394			1.378	1.998	2.008	.276		
*34X58X8	S	34,00	58,00	58,20	8,00	32	*35X51X8	S	35,00	50,75	51,00	8,00	32
		1.339	2.283	2.291	.315			1.378	1.998	2.008	.315		
*34X60X8	S	34,00	60,00	60,20	8,00	32	*35X51X10	S	35,00	50,75	51,00	10,00	32
		1.339	2.362	2.370	.315			1.378	1.998	2.008	.394		
*34X62X7	S	34,00	61,75	62,00	7,00	32	*35X52X9	S	35,00	51,75	52,00	9,00	32
		1.339	2.431	2.441	.276			1.378	2.037	2.047	.354		
*34X62X14	S	34,00	61,75	62,00	14,00	32	*35X52X10	S	35,00	51,75	52,00	10,00	32
		1.339	2.431	2.441	.551			1.378	2.037	2.047	.394		
34X62X10	S	34,00	62,00	62,18	10,00	35	*35X52X11	S	35,00	51,75	52,00	11,00	32
		1.339	2.441	2.448	.394			1.378	2.037	2.047	.433		
*34X70X10	S	34,00	69,75	70,00	10,00	32	*35X52X12	S	35,00	51,75	52,00	12,00	32
		1.339	2.746	2.756	.394			1.378	2.037	2.047	.472		
*34X72X10	S	34,00	71,75	72,00	10,00	32	35X52X7	S	35,00	52,00	52,20	7,00	32
		1.339	2.825	2.835	.394			1.378	2.047	2.055	.276		
*34X72X12	S	34,00	71,75	72,00	12,00	32	35X52X8	S	35,00	52,00	52,13	8,00	33
		1.339	2.825	2.835	.472			1.378	2.047	2.052	.315		
*35X42X6	S	35,00	41,80	42,00	6,00	32	*35X54X10	S	35,00	53,75	54,00	10,00	32
		1.378	1.646	1.654	.236			1.378	2.116	2.126	.394		
*35X42X8	S	35,00	41,80	42,00	8,00	32	35X54X8	S	35,00	54,00	54,20	8,00	35
		1.378	1.646	1.654	.315			1.378	2.126	2.134	.315		
*35X44X7	S	35,00	43,80	44,00	7,00	32	*35X54X10V	V	35,00	54,00	54,20	10,00	35
		1.378	1.724	1.732	.276			1.378	2.126	2.134	.394		
*35X45X6	S	35,00	44,80	45,00	6,00	32	*35X55X7	S	35,00	54,75	55,00	7,00	32
		1.378	1.764	1.772	.236			1.378	2.155	2.165	.276		
*35X45X8	S	35,00	44,80	45,00	8,00	32	*35X55X9	S	35,00	54,75	55,00	9,00	32
		1.378	1.764	1.772	.315			1.378	2.155	2.165	.354		
*35X45X10	S	35,00	44,80	45,00	10,00	32	*35X55X10	S	35,00	54,75	55,00	10,00	32
		1.378	1.764	1.772	.394			1.378	2.155	2.165	.394		
*35X45X12	S	35,00	44,80	45,00	12,00	32	*35X55X12	S	35,00	54,75	55,00	12,00	32
		1.378	1.764	1.772	.472			1.378	2.155	2.165	.472		
35X45X7	S	35,00	45,00	45,15	7,00	35	35X55X8	S	35,00	55,00	55,10	8,00	47
		1.378	1.772	1.778	.276			1.378	2.165	2.174	.315		
*35X46X10	S	35,00	45,80	46,00	10,00	32	*35X55X10V	V	35,00	55,00	55,20	10,00	32
		1.378	1.803	1.811	.394			1.378	2.165	2.173	.394		
*35X47X8	S	35,00	46,80	47,00	8,00	32	35X55X11	S	35,00	55,00	55,23	11,00	32
		1.378	1.842	1.850	.315			1.378	2.165	2.174	.433		

For Illustration and Material Data See Technical Section
 * Call 1-800-480-1212 For Price and Delivery

Part No.	Lip Mat'l	Shaft Size	Hsg. Bore	Seal O.D.	Seal Width	Type/ Illus.	Part No.	Lip Mat'l	Shaft Size	Hsg. Bore	Seal O.D.	Seal Width	Type/ Illus.
METRIC SERIES (cont.)							METRIC SERIES (cont.)						
* 35X56X12	S	35,00	55,75	56,00	12,00	32	* 35X69X8	S	35,00	69,00	69,20	8,00	32
		1.378	2.195	2.205	.472				1.378	2.717	2.724	.315	
* 35X56X5.8	S	35,00	55,75	56,00	5,80	32	* 35X70X10	S	35,00	69,75	70,00	10,00	32
		1.378	2.195	2.205	.228				1.378	2.746	2.756	.394	
35X56X8	S	35,00	56,00	56,20	8,00	35	35X70X8	S	35,00	70,00	70,20	8,00	32
		1.378	2.205	2.213	.315				1.378	2.756	2.764	.315	
35X56X10	S	35,00	56,00	56,27	10,00	32	* 35X72X7	S	35,00	71,75	72,00	7,00	32
		1.378	2.205	2.215	.394				1.378	2.825	2.835	.276	
* 35X56X10V	V	35,00	56,00	56,20	10,00	35	* 35X72X11	S	35,00	71,75	72,00	11,00	32
		1.378	2.205	2.213	.394				1.378	2.825	2.835	.433	
* 35X57X9	S	35,00	56,75	57,00	9,00	32	* 35X72X12	S	35,00	71,75	72,00	12,00	32
		1.378	2.234	2.244	.354				1.378	2.825	2.835	.472	
* 35X57X10	S	35,00	56,75	57,00	10,00	32	35X72X8	S	35,00	72,00	72,20	8,00	32
		1.378	2.234	2.244	.394				1.378	2.835	2.843	.315	
* 35X58X9	S	35,00	57,75	58,00	9,00	32	35X72X10	S	35,00	72,00	72,28	10,00	35
		1.378	2.273	2.283	.354				1.378	2.835	2.846	.394	
* 35X58X12	S	35,00	57,75	58,00	12,00	32	* 35X72X10V	V	35,00	72,00	72,20	10,00	35
		1.378	2.273	2.283	.472				1.378	2.835	2.843	.394	
* 35X58X13	S	35,00	57,75	58,00	13,00	32	* 35X75X8	S	35,00	74,75	75,00	8,00	32
		1.378	2.273	2.283	.512				1.378	2.943	2.953	.315	
* 35X58X18	S	35,00	57,75	58,00	18,00	32	* 35X78X8	S	35,00	78,00	78,20	8,00	32
		1.378	2.273	2.283	.709				1.378	3.071	3.079	.315	
35X58X10	S	35,00	58,00	58,28	10,00	35	* 35X80X10	S	35,00	79,72	80,00	10,00	32
		1.378	2.283	2.294	.394				1.378	3.139	3.150	.394	
* 35X59X12	S	35,00	58,75	59,00	12,00	32	* 35X80X12	S	35,00	79,72	80,00	12,00	32
		1.378	2.313	2.323	.472				1.378	3.139	3.150	.472	
* 35X60X8	S	35,00	59,75	60,00	8,00	32	* 35X80X13	S	35,00	79,72	80,00	13,00	32
		1.378	2.352	2.362	.315				1.378	3.139	3.150	.512	
* 35X60X11	S	35,00	59,75	60,00	11,00	32	35X80X8	S	35,00	80,00	80,20	8,00	32
		1.378	2.352	2.362	.433				1.378	3.150	3.150	.315	
* 35X60X12	S	35,00	59,75	60,00	12,00	32	* 35X82X7	S	35,00	81,72	82,00	7,00	32
		1.378	2.352	2.362	.472				1.378	3.217	3.228	.276	
35X60X10	S	35,00	60,00	60,23	10,00	35	* 35X46.5X8	S	35,00	46,30	46,50	8,00	32
		1.378	2.362	2.371	.394				1.378	1.823	1.831	.315	
* 35X62X6	S	35,00	61,75	62,00	6,00	32	* 35X49.5X10	S	35,00	49,30	49,50	10,00	32
		1.378	2.431	2.441	.236				1.378	1.941	1.949	.394	
* 35X62X8	S	35,00	61,75	62,00	8,00	32	* 36X44X5	S	36,00	43,80	44,00	5,00	32
		1.378	2.431	2.441	.315				1.417	1.724	1.732	.197	
* 35X62X8	S	35,00	61,75	62,00	8,00	32	* 36X46X6	S	36,00	45,80	46,00	6,00	32
		1.378	2.431	2.441	.315				1.417	1.803	1.811	.236	
* 35X62X11	S	35,00	61,75	62,00	11,00	32	* 36X46X9	S	36,00	45,80	46,00	9,00	32
		1.378	2.431	2.441	.433				1.417	1.803	1.811	.354	
* 35X62X12	S	35,00	61,75	62,00	12,00	32	* 36X47X8	S	36,00	46,80	47,00	8,00	32
		1.378	2.431	2.441	.472				1.417	1.842	1.850	.315	
35X62X7	S	35,00	62,00	62,28	7,00	32	36X47X7	S	36,00	47,00	47,20	7,00	35
		1.378	2.441	2.452	.276				1.417	1.850	1.858	.276	
* 35X62X7V	V	35,00	62,00	62,20	7,00	35	* 36X48X7	S	36,00	47,80	48,00	7,00	32
		1.378	2.441	2.449	.276				1.417	1.882	1.890	.276	
* 35X62X9.5	S	35,00	61,75	62,00	9,50	32	* 36X48X10	S	36,00	47,80	48,00	10,00	32
		1.378	2.431	2.441	.374				1.417	1.882	1.890	.394	
35X62X10	S	35,00	62,00	62,20	10,00	35	* 36X49X7	S	36,00	48,80	49,00	7,00	32
		1.378	2.441	2.449	.394				1.417	1.921	1.929	.276	
* 35X64X12	S	35,00	63,75	64,00	12,00	32	* 36X50X10	S	36,00	49,80	50,00	10,00	32
		1.378	2.510	2.520	.472				1.417	1.961	1.969	.394	
* 35X64X13	S	35,00	63,75	64,00	13,00	32	36X50X7	S	36,00	50,00	50,08	7,00	47
		1.378	2.510	2.520	.512				1.417	1.969	1.972	.276	
35X64X8	N	35,00	64,00	64,13	8,00	47	* 36X51X7	S	36,00	50,75	51,00	7,00	32
		1.378	2.520	2.525	.315				1.417	1.998	2.008	.276	
* 35X65X12	S	35,00	64,75	65,00	12,00	32	* 36X52X8	S	36,00	51,75	52,00	8,00	32
		1.378	2.549	2.559	.472				1.417	2.037	2.047	.315	
35X65X8	S	35,00	65,00	65,20	8,00	32	* 36X52X10	S	36,00	51,75	52,00	10,00	32
		1.378	2.559	2.567	.315				1.417	2.037	2.047	.394	
35X65X10	S	35,00	65,00	65,20	10,00	32	36X52X7	S	36,00	52,00	52,20	7,00	35
		1.378	2.559	2.567	.394				1.417	2.047	2.055	.276	
* 35X68X6	S	35,00	67,75	68,00	6,00	32	* 36X52X7V	V	36,00	52,00	52,20	7,00	32
		1.378	2.667	2.677	.236				1.417	2.047	2.055	.276	
* 35X68X10	S	35,00	68,00	68,23	10,00	35	* 36X54X7	S	36,00	53,75	54,00	7,00	32
		1.378	2.677	2.686	.394				1.417	2.116	2.126	.276	
* 35X68X10V	V	35,00	68,00	68,20	10,00	35	* 36X54X10	S	36,00	53,75	54,00	10,00	32
		1.378	2.677	2.685	.394				1.417	2.116	2.126	.394	

NUMERICAL SECTION

For Illustration and Material Data See Technical Section
 * Call 1-800-480-1212 For Price and Delivery

Numerical List Size & Type

NATIONAL®



Part No.	Lip Mat'l	Shaft Size	Hsg. Bore	Seal O.D.	Seal Width	Type/ Illus.	Part No.	Lip Mat'l	Shaft Size	Hsg. Bore	Seal O.D.	Seal Width	Type/ Illus.
METRIC SERIES (cont.)							METRIC SERIES (cont.)						
36X54X7.5	S	36,00	54,00	54,20	7,50	35	*38X50X7V	V	38,00	50,00	50,20	7,00	35
		1.417	2.126	2.134	.295				1.496	1.969	1.976	.276	
36X54X8	S	36,00	54,00	54,20	8,00	35	*38X51X7	S	38,00	50,75	51,00	7,00	32
		1.417	2.126	2.134	.315				1.496	1.998	2.008	.276	
*36X54X8V	V	36,00	54,00	54,20	7,50	35	*38X52X6	S	38,00	51,75	52,00	6,00	32
		1.417	2.126	2.134	.295				1.496	2.037	2.047	.236	
*36X55X10	S	36,00	54,75	55,00	10,00	32	*38X52X8	S	38,00	51,75	52,00	8,00	32
		1.417	2.155	2.165	.394				1.496	2.037	2.047	.315	
*36X55X12	S	36,00	54,75	55,00	12,00	32	*38X52X9	S	38,00	51,75	52,00	9,00	32
		1.417	2.155	2.165	.472				1.496	2.037	2.047	.354	
*36X56X12	S	36,00	55,75	56,00	12,00	32	*38X52X10	S	38,00	51,75	52,00	10,00	32
		1.417	2.195	2.205	.472				1.496	2.037	2.047	.394	
36X56X10	S	36,00	56,00	56,25	10,00	35	38X52X7	S	38,00	52,00	52,20	7,00	32
		1.417	2.205	2.215	.394				1.496	2.047	2.055	.276	
36X58X8	S	36,00	58,00	58,25	8,00	47	*38X52X7V	V	38,00	52,00	52,20	7,00	35
		1.417	2.283	2.293	.315				1.496	2.047	2.055	.276	
36X58X12	S	36,00	58,00	58,23	12,00	35	38X52X8.5	S	38,00	52,00	52,25	8,50	32
		1.417	2.283	2.293	.472				1.496	2.047	2.057	.335	
*36X60X6	S	36,00	59,75	60,00	6,00	32	38X52X8.5	S	38,00	52,00	52,25	8,50	32
		1.417	2.352	2.362	.236				1.496	2.047	2.057	.335	
36X60X7	S	36,00	60,00	60,20	7,00	32	38X53X8	S	38,00	53,00	53,20	8,00	32
		1.417	2.362	2.370	.276				1.496	2.087	2.094	.315	
*36X62X10	S	36,00	61,75	62,00	10,00	32	38X54X7	S	38,00	54,00	54,18	7,00	48
		1.417	2.431	2.441	.394				1.496	2.126	2.133	.276	
36X62X7	S	36,00	62,00	62,28	7,00	32	38X54X10	S	38,00	54,00	54,18	10,00	32
		1.417	2.441	2.452	.276				1.496	2.126	2.133	.394	
36X68X10	S	36,00	68,00	68,28	10,00	35	*38X54X10V	V	38,00	54,00	54,20	10,00	35
		1.417	2.677	2.688	.394				1.496	2.126	2.134	.394	
*36X70X8	S	36,00	70,00	70,20	8,00	32	*38X55X6	S	38,00	54,75	55,00	6,00	32
		1.417	2.756	2.764	.315				1.496	2.155	2.165	.236	
*36X72X8	S	36,00	72,00	72,20	8,00	32	*38X55X8	S	38,00	54,75	55,00	8,00	32
		1.417	2.835	2.843	.315				1.496	2.155	2.165	.315	
*36X63.5X13	S	36,00	63,25	63,50	13,00	32	*38X55X9	S	38,00	54,75	55,00	9,00	32
		1.417	2.490	2.500	.512				1.496	2.155	2.165	.354	
*36.5X62X7	S	36,50	61,75	62,00	7,00	32	*38X55X10	S	38,00	54,75	55,00	10,00	32
		1.437	2.431	2.441	.276				1.496	2.155	2.165	.394	
*37X47X10	S	37,00	46,80	47,00	10,00	32	38X55X7	N	38,00	55,00	55,23	7,00	32
		1.457	1.842	1.850	.394				1.496	2.165	2.174	.276	
37X52X8	S	37,00	52,00	52,28	8,00	35	*38X56X7	S	38,00	55,75	56,00	7,00	32
		1.457	2.047	2.058	.315				1.496	2.195	2.205	.276	
*37X53X7	S	37,00	52,75	53,00	7,00	32	*38X56X12	S	38,00	55,75	56,00	12,00	32
		1.457	2.077	2.087	.276				1.496	2.195	2.205	.472	
*37X55X8	S	37,00	54,75	55,00	8,00	32	38X56X10	S	38,00	56,00	56,28	10,00	32
		1.457	2.155	2.165	.315				1.496	2.205	2.216	.394	
*37X57X10	S	37,00	56,75	57,00	10,00	32	*38X56X10V	V	38,00	56,00	56,20	10,00	35
		1.457	2.234	2.244	.394				1.496	2.205	2.213	.394	
*37X58X7	S	37,00	57,75	58,00	7,00	32	*38X57X10	S	38,00	56,75	57,00	10,00	32
		1.457	2.273	2.283	.276				1.496	2.234	2.244	.394	
*37X58X10	S	37,00	57,75	58,00	10,00	32	*38X58X7	S	38,00	57,75	58,00	7,00	32
		1.457	2.273	2.283	.394				1.496	2.273	2.283	.276	
*37X58X13	S	37,00	57,75	58,00	13,00	32	*38X58X10	S	38,00	57,75	58,00	10,00	32
		1.457	2.273	2.283	.512				1.496	2.273	2.283	.394	
*37X64X13	S	37,00	63,75	64,00	13,00	32	*38X58X11	S	38,00	57,75	58,00	11,00	32
		1.457	2.510	2.520	.512				1.496	2.273	2.283	.433	
*38X47X7	S	38,00	46,80	47,00	7,00	32	38X58X8	S	38,00	58,00	58,11	8,00	47
		1.496	1.842	1.850	.276				1.496	2.283	2.288	.315	
*38X47X8	S	38,00	47,00	47,25	8,00	25	*38X60X9	S	38,00	59,75	60,00	9,00	32
		1.496	1.850	1.860	.315				1.496	2.352	2.362	.354	
*38X48X6	S	38,00	47,80	48,00	6,00	32	38X60X8	S	38,00	60,00	60,20	8,00	32
		1.496	1.882	1.890	.236				1.496	2.362	2.370	.315	
*38X48X7	S	38,00	47,80	48,00	7,00	32	38X60X10	S	38,00	60,00	60,35	10,00	32
		1.496	1.882	1.890	.276				1.496	2.362	2.376	.394	
*38X48X10	S	38,00	47,80	48,00	10,00	32	*38X60X10V	V	38,00	60,00	60,20	10,00	35
		1.496	1.882	1.890	.394				1.496	2.362	2.370	.394	
*38X50X8	S	38,00	49,80	50,00	8,00	32	*38X62X9	S	38,00	61,75	62,00	9,00	32
		1.496	1.961	1.969	.315				1.496	2.431	2.441	.354	
*38X50X10	S	38,00	49,80	50,00	10,00	32	*38X62X10	S	38,00	61,75	62,00	10,00	32
		1.496	1.961	1.969	.394				1.496	2.431	2.441	.394	
38X50X7	S	38,00	50,00	50,25	7,00	35	*38X62X12	S	38,00	61,75	62,00	12,00	32
		1.496	1.969	1.978	.276				1.496	2.431	2.441	.472	

For Illustration and Material Data See Technical Section
 * Call 1-800-480-1212 For Price and Delivery

Part No.	Lip Mat'l	Shaft Size	Hsg. Bore	Seal O.D.	Seal Width	Type/ Illus.	Part No.	Lip Mat'l	Shaft Size	Hsg. Bore	Seal O.D.	Seal Width	Type/ Illus.
METRIC SERIES (cont.)							METRIC SERIES (cont.)						
38X62X7	S	38,00	62,00	62,28	7,00	32	*40X52X10	S	40,00	51,75	52,00	10,00	32
		1.496	2.441	2.452	.276				1.575	2.037	2.047	.394	
*38X62X7V	V	38,00	62,00	62,20	7,00	32	40X52X7	S	40,00	52,00	52,25	7,00	32
		1.496	2.441	2.449	.276				1.575	2.047	2.057	.276	
*38X65X10	S	38,00	64,75	65,00	10,00	32	*40X52X7V	V	40,00	52,00	52,20	7,00	32
		1.496	2.549	2.559	.394				1.575	2.047	2.055	.276	
*38X65X11	S	38,00	64,75	65,00	11,00	32	*40X53X8	S	40,00	52,75	53,00	8,00	32
		1.496	2.549	2.559	.433				1.575	2.077	2.087	.315	
*38X65X13	S	38,00	64,75	65,00	13,00	32	*40X54X7	S	40,00	53,75	54,00	7,00	32
		1.496	2.549	2.559	.512				1.575	2.116	2.126	.276	
38X65X8	S	38,00	65,00	65,20	8,00	32	*40X54X8	S	40,00	53,75	54,00	8,00	32
		1.496	2.559	2.567	.315				1.575	2.116	2.126	.315	
38X68X8	S	38,00	68,00	68,20	8,00	32	*40X54X10	S	40,00	53,75	54,00	10,00	32
		1.496	2.677	2.685	.315				1.575	2.116	2.126	.394	
38X68X10	S	38,00	68,00	68,20	10,00	32	40X54X6	S	40,00	54,00	54,20	5,50	47
		1.496	2.677	2.685	.394				1.575	2.126	2.134	.217	
38X70X10	S	38,00	70,00	70,20	10,00	35	*40X55X7	S	40,00	54,75	55,00	7,00	32
		1.496	2.756	2.764	.394				1.575	2.155	2.165	.276	
*38X72X12	S	38,00	71,75	72,00	12,00	32	*40X55X10	S	40,00	54,75	55,00	10,00	32
		1.496	2.825	2.835	.472				1.575	2.155	2.165	.394	
38X72X10	S	38,00	72,00	72,20	10,00	35	40X55X6	S	40,00	55,00	55,20	6,50	35
		1.496	2.835	2.843	.394				1.575	2.165	2.173	.256	
38X74X8	S	38,00	74,00	74,20	8,00	32	40X55X8	S	40,00	55,00	55,28	8,00	32
		1.496	2.913	2.921	.315				1.575	2.165	2.176	.315	
38X74X11	N	38,00	74,00	74,20	11,00	32	*40X55X8V	V	40,00	55,00	55,20	8,00	32
		1.496	2.913	2.921	.433				1.575	2.165	2.173	.315	
*38X75X8	S	38,00	75,00	75,20	8,00	32	*40X56X8	S	40,00	55,75	56,00	8,00	32
		1.496	2.953	2.961	.315				1.575	2.195	2.205	.315	
*38X78X8	S	38,00	78,00	78,20	8,00	32	*40X56X8	S	40,00	55,75	56,00	8,00	32
		1.496	3.071	3.079	.315				1.575	2.195	2.205	.315	
*38X80X10	S	38,00	79,72	80,00	10,00	32	*40X56X8	S	40,00	55,75	56,00	8,00	32
		1.496	3.139	3.150	.394				1.575	2.195	2.205	.315	
*38X80X8	S	38,00	80,00	80,20	8,00	32	40X56X7	S	40,00	56,00	56,20	7,00	32
		1.496	3.150	3.157	.315				1.575	2.205	2.213	.276	
*38X90X8	S	38,00	90,00	90,20	8,00	32	*40X56X8V	V	40,00	56,00	56,20	8,00	35
		1.496	3.543	3.551	.315				1.575	2.205	2.213	.315	
*38X52.6X6	S	38,00	52,35	52,60	6,00	32	40X56X10	S	40,00	56,00	56,20	10,00	35
		1.496	2.061	2.071	.236				1.575	2.205	2.213	.394	
*38X60.5X12	S	38,00	60,25	60,50	12,00	32	*40X57X7	S	40,00	56,75	57,00	7,00	32
		1.496	2.372	2.382	.472				1.575	2.234	2.244	.276	
*38X63.5X10	S	38,00	63,25	63,50	10,00	32	40X57X10	S	40,00	57,00	57,20	10,00	32
		1.496	2.490	2.500	.394				1.575	2.244	2.252	.394	
*39X51X7.5	S	39,00	50,75	51,00	7,50	32	*40X58X6.5	S	40,00	57,75	58,00	6,50	32
		1.535	1.998	2.008	.295				1.575	2.273	2.283	.256	
*39X55X9	S	39,00	54,75	55,00	9,00	32	40X58X8	S	40,00	58,00	58,20	8,00	32
		1.535	2.155	2.165	.354				1.575	2.283	2.291	.315	
*39X56X7	S	39,00	55,75	56,00	7,00	32	40X58X10	S	40,00	58,00	58,28	10,00	32
		1.535	2.195	2.205	.276				1.575	2.283	2.294	.394	
*39X59X8	S	39,00	58,75	59,00	8,00	32	*40X58X10V	V	40,00	58,00	58,20	10,00	35
		1.535	2.313	2.323	.315				1.575	2.283	2.291	.394	
*39X65X8	S	39,00	64,75	65,00	8,00	32	*40X59X10	S	40,00	58,75	59,00	10,00	32
		1.535	2.549	2.559	.315				1.575	2.313	2.323	.394	
*39.6X52X11	S	39,60	51,75	52,00	11,00	32	*40X60X7	S	40,00	59,75	60,00	7,00	32
		1.559	2.037	2.047	.433				1.575	2.352	2.362	.276	
*40X50X5	S	40,00	49,80	50,00	5,00	32	*40X60X12	S	40,00	59,75	60,00	12,00	32
		1.575	1.961	1.969	.197				1.575	2.352	2.362	.472	
*40X50X7	S	40,00	49,80	50,00	7,00	32	40X60X10	S	40,00	60,00	60,20	10,00	32
		1.575	1.961	1.969	.276				1.575	2.362	2.370	.394	
*40X50X10	S	40,00	49,80	50,00	10,00	32	*40X60X10V	V	40,00	60,00	60,20	10,00	35
		1.575	1.961	1.969	.394				1.575	2.362	2.370	.394	
*40X50X6.5	S	40,00	49,80	50,00	6,50	32	*40X62X9	S	40,00	61,75	62,00	9,00	32
		1.575	1.961	1.969	.256				1.575	2.431	2.441	.354	
40X50X8	S	40,00	50,00	50,20	8,00	35	*40X62X10	S	40,00	61,75	62,00	10,00	32
		1.575	1.969	1.976	.315				1.575	2.431	2.441	.394	
*40X52X6	S	40,00	51,75	52,00	6,00	32	*40X62X11	S	40,00	61,75	62,00	11,00	32
		1.575	2.037	2.047	.236				1.575	2.431	2.441	.433	
*40X52X8	S	40,00	51,75	52,00	8,00	32	40X62X7	S	40,00	62,00	62,20	7,00	35
		1.575	2.037	2.047	.315				1.575	2.441	2.449	.276	
*40X52X9	S	40,00	51,75	52,00	9,00	32	*40X62X7V	V	40,00	62,00	62,20	7,00	32
		1.575	2.037	2.047	.354				1.575	2.441	2.449	.276	

NUMERICAL SECTION

For Illustration and Material Data See Technical Section
 * Call 1-800-480-1212 For Price and Delivery

Numerical List Size & Type

NATIONAL®



Part No.	Lip Mat'l	Shaft Size	Hsg. Bore	Seal O.D.	Seal Width	Type/Illus.	Part No.	Lip Mat'l	Shaft Size	Hsg. Bore	Seal O.D.	Seal Width	Type/Illus.
METRIC SERIES (cont.)							METRIC SERIES (cont.)						
40X62X8	S	40,00	62,00	62,25	8,00	32	*40X90X12	S	40,00	89,72	90,00	12,00	32
		1.575	2.441	2.451	.315				1.575	3.532	3.543	.472	
*40X62X11.5	S	40,00	61,75	62,00	11,50	32	40X90X8	S	40,00	90,00	90,20	8,00	35
		1.575	2.431	2.441	.453				1.575	3.543	3.551	.315	
40X62X12	S	40,00	62,00	62,25	11,50	35	*40X62.5X11	S	40,00	62,25	62,50	11,00	32
		1.575	2.441	2.451	.453				1.575	2.451	2.461	.433	
*40X63X7	S	40,00	62,75	63,00	7,00	32	*40X63.5X10	S	40,00	63,25	63,50	10,00	32
		1.575	2.470	2.480	.276				1.575	2.490	2.500	.394	
*40X64X10	S	40,00	63,75	64,00	10,00	32	*40X80.5X10	S	40,00	80,22	80,50	10,00	32
		1.575	2.510	2.520	.394				1.575	3.158	3.169	.394	
*40X64X12	S	40,00	63,75	64,00	12,00	32	*40X57.15X10	S	40,00	56,90	57,15	10,00	32
		1.575	2.510	2.520	.472				1.575	2.240	2.250	.394	
*40X65X8	S	40,00	64,75	65,00	8,00	32	*41X51X5	S	41,00	50,75	51,00	5,00	32
		1.575	2.549	2.559	.315				1.614	1.998	2.008	.197	
*40X65X12	S	40,00	64,75	65,00	12,00	32	*41X53X7	S	41,00	52,75	53,00	7,00	32
		1.575	2.549	2.559	.472				1.614	2.077	2.087	.276	
40X65X10	S	40,00	65,00	65,28	10,00	32	*41X54X7	S	41,00	53,75	54,00	7,00	32
		1.575	2.559	2.570	.394				1.614	2.116	2.126	.276	
*40X68X7	S	40,00	67,75	68,00	7,00	32	41X55X7	S	41,00	55,00	55,29	7,00	32
		1.575	2.667	2.677	.276				1.614	2.165	2.177	.276	
*40X68X10	S	40,00	67,75	68,00	10,00	32	41X56X7	S	41,00	56,00	56,25	7,00	32
		1.575	2.667	2.677	.394				1.614	2.205	2.215	.276	
40X68X8	S	40,00	68,00	68,80	8,00	35	*41X62X8	S	41,00	62,00	62,20	8,00	32
		1.575	2.677	2.709	.315				1.614	2.441	2.449	.315	
40X68X12	S	40,00	68,00	68,25	12,00	35	*41X64X10	S	41,00	63,75	64,00	10,00	32
		1.575	2.677	2.687	.472				1.614	2.510	2.520	.394	
*40X70X10	S	40,00	69,75	70,00	10,00	32	*41X55.7X9	S	41,00	55,45	55,70	9,00	32
		1.575	2.746	2.756	.394				1.614	2.183	2.193	.354	
*40X70X12	S	40,00	69,75	70,00	12,00	32	*41.7X55X7	S	41,70	54,75	55,00	7,00	32
		1.575	2.746	2.756	.472				1.642	2.155	2.165	.276	
40X70X8	S	40,00	70,00	70,20	8,00	32	*41.7X55X10	S	41,70	54,75	55,00	10,00	32
		1.575	2.756	2.764	.315				1.642	2.155	2.165	.394	
*40X72X10	S	40,00	71,75	72,00	10,00	32	*42X50X6	S	42,00	49,80	50,00	6,00	32
		1.575	2.825	2.835	.394				1.654	1.961	1.969	.236	
*40X72X12	S	40,00	71,75	72,00	12,00	32	*42X50X7	S	42,00	49,80	50,00	7,00	32
		1.575	2.825	2.835	.472				1.654	1.961	1.969	.276	
40X72X7	S	40,00	72,00	72,35	7,00	35	*42X52X4	S	42,00	51,75	52,00	4,00	32
		1.575	2.835	2.848	.276				1.654	2.037	2.047	.157	
*40X74X10	S	40,00	73,75	74,00	10,00	32	*42X52X6	S	42,00	51,75	52,00	6,00	32
		1.575	2.903	2.913	.394				1.654	2.037	2.047	.236	
*40X74X8	S	40,00	74,00	74,20	8,00	32	*42X52X7	S	42,00	51,75	52,00	7,00	32
		1.575	2.913	2.921	.315				1.654	2.037	2.047	.276	
*40X75X10	S	40,00	74,75	75,00	10,00	32	*42X54X7	S	42,00	53,75	54,00	7,00	32
		1.575	2.943	2.953	.394				1.654	2.116	2.126	.276	
*40X75X13	S	40,00	74,75	75,00	13,00	32	*42X55X9	S	42,00	54,75	55,00	9,00	32
		1.575	2.943	2.953	.512				1.654	2.155	2.165	.354	
40X75X8	S	40,00	75,00	75,20	8,00	32	42X55X7	S	42,00	55,00	55,20	7,00	32
		1.575	2.953	2.961	.315				1.654	2.165	2.173	.276	
*40X76X8	S	40,00	75,75	76,00	8,00	32	42X55X8	S	42,00	55,00	55,28	8,00	35
		1.575	2.982	2.992	.315				1.654	2.165	2.176	.315	
40X78X8	S	40,00	78,00	78,80	8,00	32	*42X55X8V	V	42,00	55,00	55,20	8,00	35
		1.575	3.071	3.102	.315				1.654	2.165	2.173	.315	
40X78X10	S	40,00	78,00	78,20	10,00	35	*42X56X6	S	42,00	55,75	56,00	6,00	32
		1.575	3.071	3.079	.394				1.654	2.195	2.205	.236	
*40X80X7	S	40,00	79,72	80,00	7,00	32	*42X56X10	S	42,00	55,75	56,00	10,00	32
		1.575	3.139	3.150	.276				1.654	2.195	2.205	.394	
*40X80X12	S	40,00	79,72	80,00	12,00	32	42X56X7	S	42,00	56,00	56,13	7,00	32
		1.575	3.139	3.150	.472				1.654	2.205	2.210	.276	
40X80X10	S	40,00	80,00	80,28	10,00	35	*42X56X7V	V	42,00	56,00	56,20	7,00	35
		1.575	3.150	3.161	.394				1.654	2.205	2.213	.276	
*40X80X10V	V	40,00	80,00	80,20	10,00	32	*42X58X8	S	42,00	57,75	58,00	8,00	32
		1.575	3.150	3.157	.394				1.654	2.273	2.283	.315	
*40X82X8	S	40,00	82,00	82,20	8,00	32	*42X58X10	S	42,00	57,75	58,00	10,00	32
		1.575	3.228	3.236	.315				1.654	2.273	2.283	.394	
*40X85X8	S	40,00	85,00	85,20	8,00	32	42X58X7	S	42,00	58,00	58,10	7,00	48
		1.575	3.346	3.354	.315				1.654	2.283	2.287	.276	
*40X88X8	S	40,00	88,00	88,20	8,00	32	*42X60X8	S	42,00	59,75	60,00	8,00	32
		1.575	3.465	3.472	.315				1.654	2.352	2.362	.315	
*40X90X10	S	40,00	89,72	90,00	10,00	32	*42X60X9	S	42,00	59,75	60,00	9,00	32
		1.575	3.532	3.543	.394				1.654	2.352	2.362	.354	

For Illustration and Material Data See Technical Section
 * Call 1-800-480-1212 For Price and Delivery

Part No.	Lip Mat'l	Shaft Size	Hsg. Bore	Seal O.D.	Seal Width	Type/ Illus.	Part No.	Lip Mat'l	Shaft Size	Hsg. Bore	Seal O.D.	Seal Width	Type/ Illus.
METRIC SERIES (cont.)							METRIC SERIES (cont.)						
* 42X60X10	S	42,00	59,75	60,00	10,00	32	43X55X8	S	43,00	55,00	55,20	8,00	32
		1.654	2.352	2.362	.394				1.693	2.165	2.173	.315	
* 42X60X12	S	42,00	59,75	60,00	12,00	32	* 43X57X8	S	43,00	57,00	57,20	8,00	32
		1.654	2.352	2.362	.472				1.693	2.244	2.252	.315	
42X60X7	S	42,00	60,00	60,22	7,00	32	* 43X58X8	S	43,00	57,75	58,00	8,00	32
		1.654	2.362	2.371	.276				1.693	2.273	2.283	.315	
* 42X60X10V	V	42,00	60,00	60,20	10,00	35	* 43X62X8	S	43,00	61,75	62,00	8,00	32
		1.654	2.362	2.370	.394				1.693	2.431	2.441	.315	
* 42X62X7	S	42,00	61,75	62,00	7,00	32	* 43X62X12	S	43,00	61,75	62,00	12,00	32
		1.654	2.431	2.441	.276				1.693	2.431	2.441	.472	
* 42X62X10	S	42,00	61,75	62,00	10,00	32	43X65X8	S	43,00	65,00	65,20	8,00	32
		1.654	2.431	2.441	.394				1.693	2.559	2.567	.315	
* 42X62X12	S	42,00	61,75	62,00	12,00	32	* 43X66X10	S	43,00	65,75	66,00	10,00	32
		1.654	2.431	2.441	.472				1.693	2.588	2.598	.394	
42X62X8	S	42,00	62,00	62,27	8,00	35	* 43X69X8	S	43,00	69,00	69,20	8,00	32
		1.654	2.441	2.452	.315				1.693	2.717	2.724	.315	
* 42X62X8V	V	42,00	62,00	62,20	8,00	32	* 43X73X8	S	43,00	73,00	73,20	8,00	32
		1.654	2.441	2.449	.315				1.693	2.874	2.882	.315	
* 42X63X7	S	42,00	62,75	63,00	7,00	32	* 43.5X62X6.5	S	43,50	61,75	62,00	6,50	32
		1.654	2.470	2.480	.276				1.713	2.431	2.441	.256	
* 42X64X8	S	42,00	63,75	64,00	8,00	32	* 44X54X7	S	44,00	53,75	54,00	7,00	32
		1.654	2.510	2.520	.315				1.732	2.116	2.126	.276	
* 42X65X9	S	42,00	64,75	65,00	9,00	32	* 44X58X8	S	44,00	58,00	58,20	8,00	32
		1.654	2.549	2.559	.354				1.732	2.283	2.291	.315	
* 42X65X12	S	42,00	64,75	65,00	12,00	32	* 44X60X9	S	44,00	59,75	60,00	9,00	32
		1.654	2.549	2.559	.472				1.732	2.352	2.362	.354	
* 42X65X7.5	S	42,00	64,75	65,00	7,50	32	44X60X7	S	44,00	60,00	60,20	7,00	32
		1.654	2.549	2.559	.295				1.732	2.362	2.370	.276	
42X65X10	N	42,00	65,00	65,15	10,00	47	44X60X10	S	44,00	60,00	60,20	10,00	35
		1.654	2.559	2.565	.394				1.732	2.362	2.370	.394	
* 42X65X10V	V	42,00	65,00	65,20	10,00	35	* 44X62X7	S	44,00	61,75	62,00	7,00	32
		1.654	2.559	2.567	.394				1.732	2.431	2.441	.276	
42X68X8	S	42,00	68,00	68,20	8,00	32	* 44X62X10	S	44,00	61,75	62,00	10,00	32
		1.654	2.677	2.685	.315				1.732	2.431	2.441	.394	
42X68X10	S	42,00	68,00	68,20	10,00	32	44X62X8◀▶	S	44,00	62,00	62,26	8,00	32
		1.654	2.677	2.685	.394				1.732	2.441	2.451	.315	
* 42X70X8	S	42,00	69,75	70,00	8,00	32	* 44X65X11	S	44,00	64,75	65,00	11,00	32
		1.654	2.746	2.756	.315				1.732	2.549	2.559	.433	
* 42X70X12	S	42,00	69,75	70,00	12,00	32	44X65X10	S	44,00	65,00	65,28	10,00	35
		1.654	2.746	2.756	.472				1.732	2.559	2.570	.394	
42X70X10	S	42,00	70,00	70,20	10,00	32	* 44X70X12	S	44,00	69,75	70,00	12,00	32
		1.654	2.756	2.764	.394				1.732	2.746	2.756	.472	
42X72X8	S	42,00	72,00	72,20	8,00	32	44X70X8	S	44,00	70,00	70,20	8,00	32
		1.654	2.835	2.843	.315				1.732	2.756	2.764	.315	
42X72X10	S	42,00	72,00	72,27	10,00	32	44X72X10	S	44,00	72,00	72,11	10,00	32
		1.654	2.835	2.845	.394				1.732	2.835	2.839	.394	
* 42X72X10V	V	42,00	72,00	72,20	10,00	35	* 44.5X62X10	S	44,50	61,75	62,00	10,00	32
		1.654	2.835	2.843	.394				1.752	2.431	2.441	.394	
* 42X75X10	S	42,00	74,75	75,00	10,00	32	* 45X54X4.5	S	45,00	53,75	54,00	4,50	32
		1.654	2.943	2.953	.394				1.772	2.116	2.126	.177	
* 42X75X12	S	42,00	74,75	75,00	12,00	32	* 45X55X5	S	45,00	54,75	55,00	5,00	32
		1.654	2.943	2.953	.472				1.772	2.155	2.165	.197	
* 42X75X8	S	42,00	75,00	75,20	8,00	32	* 45X55X7	S	45,00	54,75	55,00	7,00	32
		1.654	2.953	2.961	.315				1.772	2.155	2.165	.276	
* 42X76X12	S	42,00	75,75	76,00	12,00	32	* 45X55X8	S	45,00	54,75	55,00	8,00	32
		1.654	2.982	2.992	.472				1.772	2.155	2.165	.315	
* 42X78X10	S	42,00	77,72	78,00	10,00	32	* 45X55X10	S	45,00	54,75	55,00	10,00	32
		1.654	3.060	3.071	.394				1.772	2.155	2.165	.394	
* 42X78X8	S	42,00	78,00	78,20	8,00	32	* 45X56X6	S	45,00	55,75	56,00	6,00	32
		1.654	3.071	3.079	.315				1.772	2.195	2.205	.236	
42X80X8	S	42,00	80,00	80,20	8,00	32	* 45X56X8	S	45,00	55,75	56,00	8,00	32
		1.654	3.150	3.157	.315				1.772	2.195	2.205	.315	
42X80X10	S	42,00	80,00	80,20	10,00	35	* 45X57X9	S	45,00	56,75	57,00	9,00	32
		1.654	3.150	3.157	.394				1.772	2.234	2.244	.354	
* 42.9X62X8	S	42,90	61,75	62,00	8,00	32	* 45X57X5.5	S	45,00	56,75	57,00	5,50	32
		1.689	2.431	2.441	.315				1.772	2.234	2.244	.217	
* 43X50X7	S	43,00	49,80	50,00	7,00	32	* 45X58X8	S	45,00	57,75	58,00	8,00	32
		1.693	1.961	1.969	.276				1.772	2.273	2.283	.315	
* 43X55X9	S	43,00	54,75	55,00	9,00	32	* 45X58X10	S	45,00	57,75	58,00	10,00	32
		1.693	2.155	2.165	.354				1.772	2.273	2.283	.394	

NUMERICAL SECTION

For Illustration and Material Data See Technical Section
 ◀▶ Hydrodynamic Lip Design-Bidirectional * Call 1-800-480-1212 For Price and Delivery

Numerical List Size & Type

NATIONAL®



Part No.	Lip Mat'l	Shaft Size	Hsg. Bore	Seal O.D.	Seal Width	Type/ Illus.	Part No.	Lip Mat'l	Shaft Size	Hsg. Bore	Seal O.D.	Seal Width	Type/ Illus.
METRIC SERIES (cont.)							METRIC SERIES (cont.)						
45X58X7	S	45,00	58,00	58,28	7,00	35	*45X72X8V	V	45,00	72,00	72,20	8,00	32
		1.772	2.283	2.294	.276				1.772	2.835	2.843	.315	
*45X59X7	S	45,00	58,75	59,00	7,00	32	45X72X10	S	45,00	72,00	72,20	10,00	35
		1.772	2.313	2.323	.276				1.772	2.835	2.843	.394	
*45X59X10	S	45,00	58,75	59,00	10,00	32	45X72X12	S	45,00	72,00	72,28	12,00	35
		1.772	2.313	2.323	.394				1.772	2.835	2.846	.472	
*45X60X9	S	45,00	59,75	60,00	9,00	32	45X72X95	S	45,00	72,00	72,25	10,00	32
		1.772	2.352	2.362	.354				1.772	2.835	2.844	.394	
*45X60X12	S	45,00	59,75	60,00	12,00	32	*45X75X8	S	45,00	74,75	75,00	8,00	32
		1.772	2.352	2.362	.472				1.772	2.943	2.953	.315	
45X60X7	S	45,00	60,00	60,20	7,00	35	*45X75X10	S	45,00	74,75	75,00	10,00	32
		1.772	2.362	2.370	.276				1.772	2.943	2.953	.394	
45X60X8	S	45,00	60,00	60,20	8,00	35	*45X75X12	S	45,00	74,75	75,00	12,00	32
		1.772	2.362	2.370	.315				1.772	2.943	2.953	.472	
*45X60X8V	V	45,00	60,00	60,20	8,00	35	45X75X7	S	45,00	75,00	75,20	7,00	32
		1.772	2.362	2.370	.315				1.772	2.953	2.961	.276	
45X60X10	S	45,00	60,00	60,25	10,00	32	*45X75X10V	V	45,00	75,00	75,20	10,00	32
		1.772	2.362	2.372	.394				1.772	2.953	2.961	.394	
*45X62X7	S	45,00	61,75	62,00	7,00	32	*45X78X12	S	45,00	77,72	78,00	12,00	32
		1.772	2.431	2.441	.276				1.772	3.060	3.071	.472	
*45X62X9	S	45,00	61,75	62,00	9,00	32	*45X80X12	S	45,00	79,72	80,00	12,00	32
		1.772	2.431	2.441	.354				1.772	3.139	3.150	.472	
*45X62X10	S	45,00	61,75	62,00	10,00	32	45X80X10	S	45,00	80,00	80,28	10,00	32
		1.772	2.431	2.441	.394				1.772	3.150	3.161	.394	
*45X62X12	S	45,00	61,75	62,00	12,00	32	*45X82X12	S	45,00	81,72	82,00	12,00	32
		1.772	2.431	2.441	.472				1.772	3.217	3.228	.472	
45X62X8	S	45,00	62,00	62,30	8,00	35	*45X82X8	S	45,00	82,00	82,20	8,00	32
		1.772	2.441	2.453	.315				1.772	3.228	3.236	.315	
*45X62X8V	V	45,00	62,00	62,20	8,00	35	*45X85X12	S	45,00	84,72	85,00	12,00	32
		1.772	2.441	2.449	.315				1.772	3.335	3.346	.472	
*45X63X7	S	45,00	62,75	63,00	7,00	32	45X85X10	S	45,00	85,00	85,20	10,00	35
		1.772	2.470	2.480	.276				1.772	3.346	3.354	.394	
*45X64X7	S	45,00	63,75	64,00	7,00	32	45X85X13	S	45,00	85,00	85,25	13,00	45
		1.772	2.510	2.520	.276				1.772	3.346	3.356	.512	
*45X64X10	S	45,00	63,75	64,00	10,00	32	*45X90X10	S	45,00	89,72	90,00	10,00	32
		1.772	2.510	2.520	.394				1.772	3.532	3.543	.394	
*45X65X7	S	45,00	64,75	65,00	7,00	32	*45X100X10	S	45,00	99,72	100,00	10,00	32
		1.772	2.549	2.559	.276				1.772	3.926	3.937	.394	
*45X65X9	S	45,00	64,75	65,00	9,00	32	*45X63.5X10	S	45,00	63,25	63,50	10,00	32
		1.772	2.549	2.559	.354				1.772	2.490	2.500	.394	
*45X65X10	S	45,00	64,75	65,00	10,00	32	*45X68.3X7	S	45,00	68,05	68,30	7,00	32
		1.772	2.549	2.559	.394				1.772	2.679	2.689	.276	
*45X65X12	S	45,00	64,75	65,00	12,00	32	*45X74.5X12	S	45,00	74,25	74,50	12,00	32
		1.772	2.549	2.559	.472				1.772	2.923	2.933	.472	
45X65X8	S	45,00	65,00	65,28	8,00	32	*46X54X9	S	46,00	53,75	54,00	9,00	32
		1.772	2.559	2.570	.315				1.811	2.116	2.126	.354	
*45X65X8V	V	45,00	65,00	65,20	8,00	35	*46X58X7	S	46,00	57,75	58,00	7,00	32
		1.772	2.559	2.567	.315				1.811	2.273	2.283	.276	
*45X66X10	S	45,00	65,75	66,00	10,00	32	*46X59X8	S	46,00	59,00	59,20	8,00	32
		1.772	2.588	2.598	.394				1.811	2.323	2.331	.315	
*45X68X8	S	45,00	67,75	68,00	8,00	32	*46X60X7	S	46,00	59,75	60,00	7,00	32
		1.772	2.667	2.677	.315				1.811	2.352	2.362	.276	
*45X68X9	S	45,00	67,75	68,00	9,00	32	*46X60X10	S	46,00	59,75	60,00	10,00	32
		1.772	2.667	2.677	.354				1.811	2.352	2.362	.394	
*45X68X10	S	45,00	67,75	68,00	10,00	32	*46X60X8	S	46,00	60,00	60,20	8,00	32
		1.772	2.667	2.677	.394				1.811	2.362	2.370	.315	
*45X68X12	S	45,00	67,75	68,00	12,00	32	*46X62X8	S	46,00	62,00	62,20	8,00	32
		1.772	2.667	2.677	.472				1.811	2.441	2.449	.315	
45X68X7	S	45,00	68,00	68,28	7,00	32	46X65X7	S	46,00	65,00	65,20	7,00	32
		1.772	2.677	2.688	.276				1.811	2.559	2.567	.276	
*45X68X10V	V	45,00	68,00	68,20	10,00	35	*46X68X8	S	46,00	68,00	68,20	8,00	32
		1.772	2.677	2.685	.394				1.811	2.677	2.685	.315	
*45X70X12	S	45,00	69,75	70,00	12,00	32	46X70X8	S	46,00	70,00	70,20	8,00	32
		1.772	2.746	2.756	.472				1.811	2.756	2.764	.315	
45X70X10	S	45,00	70,00	70,18	10,00	32	*46X72X8	S	46,00	72,00	72,20	8,00	32
		1.772	2.756	2.763	.394				1.811	2.835	2.843	.315	
*45X72X8	S	45,00	71,75	72,00	8,00	32	*46X73X8	S	46,00	73,00	73,20	8,00	32
		1.772	2.825	2.835	.315				1.811	2.874	2.882	.315	
45X72X7	S	45,00	72,00	72,28	7,00	35	*46X59.1X12	S	46,00	58,85	59,10	12,00	32
		1.772	2.835	2.846	.276				1.811	2.317	2.327	.472	

For Illustration and Material Data See Technical Section
 * Call 1-800-480-1212 For Price and Delivery

Part No.	Lip Mat'l	Shaft Size	Hsg. Bore	Seal O.D.	Seal Width	Type/ Illus.	Part No.	Lip Mat'l	Shaft Size	Hsg. Bore	Seal O.D.	Seal Width	Type/ Illus.
METRIC SERIES (cont.)							METRIC SERIES (cont.)						
*47X57X7	S	47,00	56,75	57,00	7,00	32	*48X72X9	S	48,00	71,75	72,00	9,00	32
		1.850	2.234	2.244	.276				1.890	2.825	2.835	.354	
*47X60X7	S	47,00	59,75	60,00	7,00	32	*48X72X10	S	48,00	71,75	72,00	10,00	32
		1.850	2.352	2.362	.276				1.890	2.825	2.835	.394	
*47X60X8	S	47,00	60,00	60,20	8,00	32	*48X72X12	S	48,00	71,75	72,00	12,00	32
		1.850	2.362	2.370	.315				1.890	2.825	2.835	.472	
*47X62X6	S	47,00	61,75	62,00	6,00	32	48X72X7	S	48,00	72,00	72,31	7,00	32
		1.850	2.431	2.441	.236				1.890	2.835	2.847	.276	
47X62X8	S	47,00	62,00	62,20	8,00	32	*48X72X8V	V	48,00	72,00	72,20	8,00	35
		1.850	2.441	2.449	.315				1.890	2.835	2.843	.315	
*47X65X10	S	47,00	64,75	65,00	10,00	32	*48X74X10	S	48,00	73,75	74,00	10,00	32
		1.850	2.549	2.559	.394				1.890	2.903	2.913	.394	
47X65X8	S	47,00	65,00	65,20	8,00	32	*48X74X12	S	48,00	73,75	74,00	12,00	32
		1.850	2.559	2.567	.315				1.890	2.903	2.913	.472	
47X68X10	S	47,00	68,00	68,27	10,00	32	*48X75X12	S	48,00	74,75	75,00	12,00	32
		1.850	2.677	2.688	.394				1.890	2.943	2.953	.472	
47X70X10	S	47,00	70,00	70,20	10,00	32	48X75X10	S	48,00	75,00	75,20	10,00	32
		1.850	2.756	2.764	.394				1.890	2.953	2.961	.394	
*48X58X4	S	48,00	57,75	58,00	4,00	32	*48X78X8	S	48,00	78,00	78,20	8,00	32
		1.890	2.273	2.283	.157				1.890	3.071	3.079	.315	
*48X58X8	S	48,00	58,00	58,20	8,00	32	*48X80X10	S	48,00	79,72	80,00	10,00	32
		1.890	2.283	2.291	.315				1.890	3.139	3.150	.394	
*48X59X6	S	48,00	58,75	59,00	6,00	32	48X80X8	S	48,00	80,00	80,20	8,00	32
		1.890	2.313	2.323	.236				1.890	3.150	3.157	.315	
*48X60X8	S	48,00	59,75	60,00	8,00	32	*48X82X10	S	48,00	81,72	82,00	10,00	32
		1.890	2.352	2.362	.315				1.890	3.217	3.228	.394	
*48X60X10	S	48,00	59,75	60,00	10,00	32	*48X82X8	S	48,00	82,00	82,20	8,00	32
		1.890	2.352	2.362	.394				1.890	3.228	3.236	.315	
*48X62X7	S	48,00	61,75	62,00	7,00	32	*48X85X10	S	48,00	84,72	85,00	10,00	32
		1.890	2.431	2.441	.276				1.890	3.335	3.346	.394	
*48X62X9	S	48,00	61,75	62,00	9,00	32	*48X85X8	S	48,00	85,00	85,20	8,00	32
		1.890	2.431	2.441	.354				1.890	3.346	3.354	.315	
*48X62X10	S	48,00	61,75	62,00	10,00	32	*48X88X8	S	48,00	88,00	88,20	8,00	32
		1.890	2.431	2.441	.394				1.890	3.465	3.472	.315	
*48X62X12	S	48,00	61,75	62,00	12,00	32	*48X90X13	S	48,00	89,72	90,00	13,00	32
		1.890	2.431	2.441	.472				1.890	3.532	3.543	.512	
48X62X8	S	48,00	62,00	62,10	8,00	35	48X90X10	S	48,00	90,00	90,20	10,00	35
		1.890	2.441	2.445	.315				1.890	3.543	3.551	.394	
*48X62X8V	V	48,00	62,00	62,20	8,00	35	*48X70.5X10	S	48,00	70,25	70,50	10,00	32
		1.890	2.441	2.449	.315				1.890	2.766	2.776	.394	
48X63X9	S	48,00	63,00	63,09	9,00	47	*48X72.5X10	S	48,00	72,25	72,50	10,00	32
		1.890	2.480	2.484	.354				1.890	2.844	2.854	.394	
*48X65X7	S	48,00	64,75	65,00	7,00	32	*49X62X6	S	49,00	61,75	62,00	6,00	32
		1.890	2.549	2.559	.276				1.929	2.431	2.441	.236	
*48X65X9	S	48,00	64,75	65,00	9,00	32	*49X76X15	S	49,00	75,75	76,00	15,00	32
		1.890	2.549	2.559	.354				1.929	2.982	2.992	.591	
*48X65X12	S	48,00	64,75	65,00	12,00	32	*50X60X8	S	50,00	59,75	60,00	8,00	32
		1.890	2.549	2.559	.472				1.969	2.352	2.362	.315	
48X65X10	S	48,00	65,00	65,30	10,00	32	*50X60X10	S	50,00	59,75	60,00	10,00	32
		1.890	2.559	2.571	.394				1.969	2.352	2.362	.394	
*48X65X10V	V	48,00	65,00	65,20	10,00	32	*50X62X9	S	50,00	61,75	62,00	9,00	32
		1.890	2.559	2.567	.394				1.969	2.431	2.441	.354	
*48X67X11	S	48,00	66,75	67,00	11,00	32	*50X62X10	S	50,00	61,75	62,00	10,00	32
		1.890	2.628	2.638	.433				1.969	2.431	2.441	.394	
*48X68X8	S	48,00	67,75	68,00	8,00	32	50X62X7	S	50,00	62,00	62,28	7,00	32
		1.890	2.667	2.677	.315				1.969	2.441	2.452	.276	
48X68X10	N	48,00	68,00	68,27	10,00	32	*50X63X8	S	50,00	62,75	63,00	8,00	32
		1.890	2.677	2.688	.394				1.969	2.470	2.480	.315	
*48X70X7	S	48,00	69,75	70,00	7,00	32	*50X64X8	S	50,00	63,75	64,00	8,00	32
		1.890	2.746	2.756	.276				1.969	2.510	2.520	.315	
*48X70X10	S	48,00	69,75	70,00	10,00	32	*50X64X9	S	50,00	63,75	64,00	9,00	32
		1.890	2.746	2.756	.394				1.969	2.510	2.520	.354	
*48X70X12	S	48,00	69,75	70,00	12,00	32	*50X64X10	S	50,00	63,75	64,00	10,00	32
		1.890	2.746	2.756	.472				1.969	2.510	2.520	.394	
48X70X8	S	48,00	70,00	70,20	8,00	35	*50X65X9	S	50,00	64,75	65,00	9,00	32
		1.890	2.756	2.764	.315				1.969	2.549	2.559	.354	
48X70X9	S	48,00	70,00	70,28	9,00	35	*50X65X10	S	50,00	64,75	65,00	10,00	32
		1.890	2.756	2.767	.354				1.969	2.549	2.559	.394	
*48X72X8	S	48,00	71,75	72,00	8,00	32	50X65X8	S	50,00	65,00	65,28	8,00	32
		1.890	2.825	2.835	.315				1.969	2.559	2.570	.315	

NUMERICAL SECTION

For Illustration and Material Data See Technical Section
 * Call 1-800-480-1212 For Price and Delivery

Numerical List Size & Type

NATIONAL®



Part No.	Lip Mat'l	Shaft Size	Hsg. Bore	Seal O.D.	Seal Width	Type/ Illus.	Part No.	Lip Mat'l	Shaft Size	Hsg. Bore	Seal O.D.	Seal Width	Type/ Illus.
METRIC SERIES (cont.)							METRIC SERIES (cont.)						
*50X65X8V	V	50,00	65,00	65,20	8,00	32	*50X82X12	S	50,00	81,72	82,00	12,00	32
		1.969	2.559	2.567	.315				1.969	3.217	3.228	.472	
*50X66X6	S	50,00	65,75	66,00	6,00	32	*50X85X10	S	50,00	84,72	85,00	10,00	32
		1.969	2.588	2.598	.236				1.969	3.335	3.346	.394	
*50X67X9	S	50,00	66,75	67,00	9,00	32	*50X85X12	S	50,00	84,72	85,00	12,00	32
		1.969	2.628	2.638	.354				1.969	3.335	3.346	.472	
*50X67X10	S	50,00	66,75	67,00	10,00	32	50X85X8	S	50,00	85,00	85,20	8,00	32
		1.969	2.628	2.638	.394				1.969	3.346	3.354	.315	
*50X68X7	S	50,00	67,75	68,00	7,00	32	*50X88X8	S	50,00	88,00	88,20	8,00	32
		1.969	2.667	2.677	.276				1.969	3.465	3.472	.315	
*50X68X9	S	50,00	67,75	68,00	9,00	32	*50X90X13	S	50,00	89,72	90,00	13,00	32
		1.969	2.667	2.677	.354				1.969	3.532	3.543	.512	
*50X68X10	S	50,00	67,75	68,00	10,00	32	50X90X8	S	50,00	90,00	90,20	8,00	32
		1.969	2.667	2.677	.394				1.969	3.543	3.551	.315	
50X68X8	S	50,00	68,00	68,28	8,00	35	50X90X10	S	50,00	90,00	90,28	10,00	35
		1.969	2.677	2.688	.315				1.969	3.543	3.554	.394	
*50X68X8V	V	50,00	68,00	68,20	8,00	32	*50X90X10V	V	50,00	90,00	90,20	10,00	35
		1.969	2.677	2.685	.315				1.969	3.543	3.551	.394	
*50X70X10	S	50,00	69,75	70,00	10,00	32	*50X100X10	S	50,00	99,72	100,00	10,00	32
		1.969	2.746	2.756	.394				1.969	3.926	3.937	.394	
*50X70X12	S	50,00	69,75	70,00	12,00	32	*51X63X8	S	51,00	63,00	63,20	8,00	32
		1.969	2.746	2.756	.472				2.008	2.480	2.488	.315	
*50X70X13	S	50,00	69,75	70,00	13,00	32	*51X65X13	S	51,00	64,75	65,00	13,00	32
		1.969	2.746	2.756	.512				2.008	2.549	2.559	.512	
50X70X8	S	50,00	70,00	70,20	8,00	32	51X65X7	S	51,00	65,00	65,10	7,00	47
		1.969	2.756	2.764	.315				2.008	2.559	2.563	.276	
50X70X9	S	50,00	70,00	70,20	9,00	32	*51X73X8	S	51,00	73,00	73,20	8,00	32
		1.969	2.756	2.764	.354				2.008	2.874	2.882	.315	
*50X70X10V	V	50,00	70,00	70,20	10,00	35	*51X80X8	S	51,00	80,00	80,20	8,00	32
		1.969	2.756	2.764	.394				2.008	3.150	3.157	.315	
*50X72X7	S	50,00	71,75	72,00	7,00	32	*51X81X8	S	51,00	81,00	81,20	8,00	32
		1.969	2.825	2.835	.276				2.008	3.189	3.197	.315	
*50X72X9	S	50,00	71,75	72,00	9,00	32	*51X90X8	S	51,00	90,00	90,20	8,00	32
		1.969	2.825	2.835	.354				2.008	3.543	3.551	.315	
*50X72X10	S	50,00	71,75	72,00	10,00	32	*51X92X8	S	51,00	92,00	92,20	8,00	32
		1.969	2.825	2.835	.394				2.008	3.622	3.630	.315	
*50X72X12	S	50,00	71,75	72,00	12,00	32	*51X66.5X10	S	51,00	66,25	66,50	10,00	32
		1.969	2.825	2.835	.472				2.008	2.608	2.618	.394	
50X72X8	S	50,00	72,00	72,28	8,00	32	*52X62X7	S	52,00	61,75	62,00	7,00	32
		1.969	2.835	2.846	.315				2.047	2.431	2.441	.276	
*50X72X8V	V	50,00	72,00	72,20	8,00	32	*52X62X10	S	52,00	61,75	62,00	10,00	32
		1.969	2.835	2.843	.315				2.047	2.431	2.441	.394	
*50X73X9	S	50,00	72,75	73,00	9,00	32	*52X63X8	S	52,00	62,75	63,00	8,00	32
		1.969	2.864	2.874	.354				2.047	2.470	2.480	.315	
*50X75X10	S	50,00	74,75	75,00	10,00	32	*52X64X9	S	52,00	63,75	64,00	9,00	32
		1.969	2.943	2.953	.394				2.047	2.510	2.520	.354	
50X75X7	S	50,00	75,00	75,20	7,00	32	*52X65X8	S	52,00	64,75	65,00	8,00	32
		1.969	2.953	2.961	.276				2.047	2.549	2.559	.315	
*50X75X8	S	50,00	75,00	75,20	8,00	32	*52X65X10	S	52,00	64,75	65,00	10,00	32
		1.969	2.953	2.961	.315				2.047	2.549	2.559	.394	
50X75X12	S	50,00	75,00	75,28	12,00	32	52X65X9	S	52,00	65,00	65,30	9,00	32
		1.969	2.953	2.964	.472				2.047	2.559	2.571	.354	
*50X76X12	S	50,00	75,75	76,00	12,00	32	*52X68X7	S	52,00	67,75	68,00	7,00	32
		1.969	2.982	2.992	.472				2.047	2.667	2.677	.276	
*50X78X12	S	50,00	77,72	78,00	12,00	32	*52X68X10	S	52,00	67,75	68,00	10,00	32
		1.969	3.060	3.071	.472				2.047	2.667	2.677	.394	
*50X78X8	S	50,00	78,00	78,20	8,00	32	52X68X8	S	52,00	68,00	68,28	8,00	32
		1.969	3.071	3.079	.315				2.047	2.677	2.688	.315	
*50X80X10	S	50,00	79,72	80,00	10,00	32	*52X68X8V	V	52,00	68,00	68,20	8,00	35
		1.969	3.139	3.150	.394				2.047	2.677	2.685	.315	
*50X80X12	S	50,00	79,72	80,00	12,00	32	52X69X10	S	52,00	69,00	69,28	10,00	35
		1.969	3.139	3.150	.472				2.047	2.717	2.728	.394	
*50X80X13	S	50,00	79,72	80,00	13,00	32	*52X70X9	S	52,00	69,75	70,00	9,00	32
		1.969	3.139	3.150	.512				2.047	2.746	2.756	.354	
50X80X8	S	50,00	80,00	80,28	8,00	32	*52X70X13	S	52,00	69,75	70,00	13,00	32
		1.969	3.150	3.161	.315				2.047	2.746	2.756	.512	
*50X80X8V	V	50,00	80,00	80,20	8,00	32	52X70X8	S	52,00	70,00	70,20	8,00	32
		1.969	3.150	3.157	.315				2.047	2.756	2.764	.315	
*50X81X12	S	50,00	80,72	81,00	12,00	32	*52X72X9	S	52,00	71,75	72,00	9,00	32
		1.969	3.178	3.189	.472				2.047	2.825	2.835	.354	

For Illustration and Material Data See Technical Section
 * Call 1-800-480-1212 For Price and Delivery

Part No.	Lip Mat'l	Shaft Size	Hsg. Bore	Seal O.D.	Seal Width	Type/ Illus.	Part No.	Lip Mat'l	Shaft Size	Hsg. Bore	Seal O.D.	Seal Width	Type/ Illus.
METRIC SERIES (cont.)							METRIC SERIES (cont.)						
* 52X72X10	S	52,00	71,75	72,00	10,00	32	54X82X10	S	54,00	82,00	82,35	10,00	32
		2.047	2.825	2.835	.394				2.126	3.228	3.242	.394	
* 52X72X12	S	52,00	71,75	72,00	12,00	32	54X85X10	S	54,00	85,00	85,28	10,00	32
		2.047	2.825	2.835	.472				2.126	3.346	3.357	.394	
52X72X8	S	52,00	72,00	72,20	8,00	35	* 54X72.5X9	S	54,00	72,25	72,50	9,00	32
		2.047	2.835	2.843	.315				2.126	2.844	2.854	.354	
* 52X72X8V	V	52,00	72,00	72,20	8,00	32	* 54.5X70X8	S	54,50	69,75	70,00	8,00	32
		2.047	2.835	2.843	.315				2.146	2.746	2.756	.315	
* 52X75X10	S	52,00	74,75	75,00	10,00	32	* 55X65X8	S	55,00	64,75	65,00	8,00	32
		2.047	2.943	2.953	.394				2.165	2.549	2.559	.315	
52X75X12	S	52,00	75,00	75,28	12,00	32	* 55X65X10	S	55,00	64,75	65,00	10,00	32
		2.047	2.953	2.964	.472				2.165	2.549	2.559	.394	
* 52X78X10	S	52,00	77,72	78,00	10,00	32	* 55X68X10	S	55,00	67,75	68,00	10,00	32
		2.047	3.060	3.071	.394				2.165	2.667	2.677	.394	
* 52X80X13	S	52,00	79,72	80,00	13,00	32	55X68X8	S	55,00	68,00	68,28	8,00	32
		2.047	3.139	3.150	.512				2.165	2.677	2.688	.315	
52X80X10↔	S	52,00	80,00	80,28	10,00	32	* 55X70X9	S	55,00	69,75	70,00	9,00	32
		2.047	3.150	3.161	.394				2.165	2.746	2.756	.354	
52X82X8	S	52,00	82,00	82,20	8,00	32	* 55X70X10	S	55,00	69,75	70,00	10,00	32
		2.047	3.228	3.236	.315				2.165	2.746	2.756	.394	
* 52X85X9	S	52,00	84,72	85,00	9,00	32	* 55X70X12	S	55,00	69,75	70,00	12,00	32
		2.047	3.335	3.346	.354				2.165	2.746	2.756	.472	
* 52X85X10	S	52,00	84,72	85,00	10,00	32	55X70X8	S	55,00	70,00	70,27	8,00	35
		2.047	3.335	3.346	.394				2.165	2.756	2.767	.315	
52X85X7	S	52,00	85,00	85,20	8,00	32	* 55X70X8V	V	55,00	70,00	70,20	8,00	32
		2.047	3.346	3.354	.315				2.165	2.756	2.764	.315	
* 52X85X8	S	52,00	85,00	85,20	8,00	32	* 55X72X9	S	55,00	71,75	72,00	9,00	32
		2.047	3.346	3.354	.315				2.165	2.825	2.835	.354	
* 52X90X10	S	52,00	89,72	90,00	10,00	32	* 55X72X10	S	55,00	71,75	72,00	10,00	32
		2.047	3.532	3.543	.394				2.165	2.825	2.835	.394	
53X68X10	S	53,00	68,00	68,28	10,00	32	* 55X72X12	S	55,00	71,75	72,00	12,00	32
		2.087	2.677	2.688	.394				2.165	2.825	2.835	.472	
* 53X72X10	S	53,00	71,75	72,00	10,00	32	55X72X8	S	55,00	72,00	72,25	8,00	32
		2.087	2.825	2.835	.394				2.165	2.835	2.844	.315	
* 53X73X10	S	53,00	72,75	73,00	10,00	32	* 55X72X8V	V	55,00	72,00	72,20	8,00	32
		2.087	2.864	2.874	.394				2.165	2.835	2.843	.315	
* 53X80X13	S	53,00	79,72	80,00	13,00	32	* 55X73X10	S	55,00	72,75	73,00	10,00	32
		2.087	3.139	3.150	.512				2.165	2.864	2.874	.394	
* 53X68.2X7	S	53,00	67,95	68,20	7,00	32	* 55X75X9	S	55,00	74,75	75,00	9,00	32
		2.087	2.675	2.685	.276				2.165	2.943	2.953	.354	
* 54X64X9	S	54,00	63,75	64,00	9,00	32	* 55X75X12	S	55,00	74,75	75,00	12,00	32
		2.126	2.510	2.520	.354				2.165	2.943	2.953	.472	
* 54X65X10	S	54,00	64,75	65,00	10,00	32	55X75X8	S	55,00	75,00	75,20	8,00	35
		2.126	2.549	2.559	.394				2.165	2.953	2.961	.315	
* 54X65X13	S	54,00	64,75	65,00	13,00	32	55X75X10	S	55,00	75,00	75,35	10,00	35
		2.126	2.549	2.559	.512				2.165	2.953	2.967	.394	
54X65X8	S	54,00	65,00	65,20	8,00	32	* 55X75X10V	V	55,00	75,00	75,20	10,00	35
		2.126	2.559	2.567	.315				2.165	2.953	2.961	.394	
* 54X68X10	S	54,00	67,75	68,00	10,00	32	* 55X76X12	S	55,00	75,75	76,00	12,00	32
		2.126	2.667	2.677	.394				2.165	2.982	2.992	.472	
* 54X70X9	S	54,00	69,75	70,00	9,00	32	* 55X78X9	S	55,00	77,72	78,00	9,00	32
		2.126	2.746	2.756	.354				2.165	3.060	3.071	.354	
54X72X10	S	54,00	72,00	72,25	10,00	32	* 55X78X12	S	55,00	77,72	78,00	12,00	32
		2.126	2.835	2.844	.394				2.165	3.060	3.071	.472	
54X73X8	S	54,00	73,00	73,20	8,00	32	55X78X10	S	55,00	78,00	78,28	10,00	32
		2.126	2.874	2.882	.315				2.165	3.071	3.082	.394	
* 54X74X10	S	54,00	73,75	74,00	10,00	32	* 55X80X10	S	55,00	79,72	80,00	10,00	32
		2.126	2.903	2.913	.394				2.165	3.139	3.150	.394	
* 54X75X10	S	54,00	74,75	75,00	10,00	32	* 55X80X12	S	55,00	79,72	80,00	12,00	32
		2.126	2.943	2.953	.394				2.165	3.139	3.150	.472	
* 54X76X8	S	54,00	75,75	76,00	8,00	32	55X80X8	S	55,00	80,00	80,28	8,00	32
		2.126	2.982	2.992	.315				2.165	3.150	3.161	.315	
* 54X80X10	S	54,00	79,72	80,00	10,00	32	* 55X80X8V	V	55,00	80,00	80,20	8,00	35
		2.126	3.139	3.150	.394				2.165	3.150	3.157	.315	
* 54X81X10	S	54,00	80,72	81,00	10,00	32	* 55X82X9	S	55,00	81,72	82,00	9,00	32
		2.126	3.178	3.189	.394				2.165	3.217	3.228	.354	
* 54X81X8	S	54,00	81,00	81,20	8,00	32	55X82X12	S	55,00	82,00	82,30	12,00	32
		2.126	3.189	3.197	.315				2.165	3.228	3.240	.472	
* 54X82X11	S	54,00	81,72	82,00	11,00	32	* 55X85X12	S	55,00	84,72	85,00	12,00	32
		2.126	3.217	3.228	.433				2.165	3.335	3.346	.472	

NUMERICAL SECTION

For Illustration and Material Data See Technical Section
 ↔ Hydrodynamic Lip Design-Bidirectional * Call 1-800-480-1212 For Price and Delivery

Numerical List Size & Type

NATIONAL®



Part No.	Lip Mat'l	Shaft Size	Hsg. Bore	Seal O.D.	Seal Width	Type/Illus.	Part No.	Lip Mat'l	Shaft Size	Hsg. Bore	Seal O.D.	Seal Width	Type/Illus.
METRIC SERIES (cont.)							METRIC SERIES (cont.)						
*55X85X14	S	55,00	84,72	85,00	14,00	32	*57X67X6	S	57,00	66,75	67,00	6,00	32
		2.165	3.335	3.346	.551				2.244	2.628	2.638	.236	
55X85X8	S	55,00	85,00	85,20	8,00	32	*57X75X12	S	57,00	74,75	75,00	12,00	32
		2.165	3.346	3.354	.315				2.244	2.943	2.953	.472	
55X85X10	S	55,00	85,00	85,31	10,00	32	*57X80X12	S	57,00	79,72	80,00	12,00	32
		2.165	3.346	3.359	.394				2.244	3.139	3.150	.472	
55X88X8↔	S	55,00	88,00	88,20	8,00	32	*57X81X8	S	57,00	81,00	81,20	8,00	32
		2.165	3.465	3.472	.315				2.244	3.189	3.197	.315	
*55X88X10	S	55,00	88,00	88,20	8,00	32	*57X85X10	S	57,00	84,72	85,00	10,00	32
		2.165	3.465	3.472	.315				2.244	3.335	3.346	.394	
55X90X8	S	55,00	90,00	90,27	8,00	32	*57X85X12	S	57,00	84,72	85,00	12,00	32
		2.165	3.543	3.554	.315				2.244	3.335	3.346	.472	
*55X90X8	S	55,00	89,72	90,00	8,00	32	*57X85X15	S	57,00	84,72	85,00	15,00	32
		2.165	3.532	3.543	.315				2.244	3.335	3.346	.591	
*55X90X10	S	55,00	89,72	90,00	10,00	32	57X85X13	S	57,00	85,00	85,20	13,00	32
		2.165	3.532	3.543	.394				2.244	3.346	3.354	.512	
55X90X13	S	55,00	90,00	90,28	13,00	32	*57X92X8	S	57,00	92,00	92,20	8,00	32
		2.165	3.543	3.554	.512				2.244	3.622	3.630	.315	
*55X95X8	S	55,00	95,00	95,20	8,00	32	*57X82.5X10	S	57,00	82,22	82,50	10,00	32
		2.165	3.740	3.748	.315				2.244	3.237	3.248	.394	
*55X100X10	S	55,00	99,72	100,00	10,00	32	*58X68X9	S	58,00	67,75	68,00	9,00	32
		2.165	3.926	3.937	.394				2.283	2.667	2.677	.354	
*55X100X12	S	55,00	99,72	100,00	12,00	32	*58X70X7	S	58,00	69,75	70,00	7,00	32
		2.165	3.926	3.937	.472				2.283	2.746	2.756	.276	
55X100X7	S	55,00	75,00	75,20	7,00	32	*58X70X11	S	58,00	69,75	70,00	11,00	32
		2.165	2.953	2.961	.276				2.283	2.746	2.756	.433	
55X100X13	S	55,00	100,00	100,30	12,70	45	*58X72X9	S	58,00	71,75	72,00	9,00	32
		2.165	3.937	3.949	.500				2.283	2.825	2.835	.354	
56X68X10	N	56,00	68,00	68,12	10,00	32	*58X72X10	S	58,00	71,75	72,00	10,00	32
		2.205	2.677	2.682	.394				2.283	2.825	2.835	.394	
*56X70X9	S	56,00	69,75	70,00	9,00	32	58X72X8	S	58,00	72,00	72,28	8,00	32
		2.205	2.746	2.756	.354				2.283	2.835	2.846	.315	
56X70X8	S	56,00	70,00	70,20	8,00	35	*58X72X8V	V	58,00	72,00	72,20	8,00	35
		2.205	2.756	2.764	.315				2.283	2.835	2.843	.315	
*56X70X8V	V	56,00	70,00	70,20	8,00	35	*58X74X10	S	58,00	73,75	74,00	10,00	32
		2.205	2.756	2.764	.315				2.283	2.903	2.913	.394	
*56X72X8	S	56,00	71,75	72,00	8,00	32	58X75X7	S	58,00	75,00	75,26	7,00	32
		2.205	2.825	2.835	.315				2.283	2.953	2.963	.276	
*56X72X9	S	56,00	71,75	72,00	9,00	32	*58X75X9	S	58,00	74,75	75,00	9,00	32
		2.205	2.825	2.835	.354				2.283	2.943	2.953	.354	
56X72X7	S	56,00	72,00	72,20	7,00	32	*58X75X10	S	58,00	74,75	75,00	10,00	32
		2.205	2.835	2.843	.276				2.283	2.943	2.953	.394	
56X72X11.5	S	56,00	72,00	72,40	11,50	35	*58X75X12	S	58,00	74,75	75,00	12,00	32
		2.205	2.835	2.850	.453				2.283	2.943	2.953	.472	
56X72X11.5	S	56,00	72,00	72,40	11,50	35	58X75X11	S	58,00	75,00	75,28	11,00	35
		2.205	2.835	2.850	.453				2.283	2.953	2.964	.433	
*56X73X10	S	56,00	72,75	73,00	10,00	32	*58X78X9	S	58,00	77,72	78,00	9,00	32
		2.205	2.864	2.874	.394				2.283	3.060	3.071	.354	
56X75X7	S	56,00	75,00	75,20	7,00	32	*58X78X12	S	58,00	77,72	78,00	12,00	32
		2.205	2.953	2.961	.276				2.283	3.060	3.071	.472	
*56X76X8	S	56,00	75,75	76,00	8,00	32	*58X78X8	S	58,00	78,00	78,20	8,00	32
		2.205	2.982	2.992	.315				2.283	3.071	3.079	.315	
*56X78X8	S	56,00	78,00	78,20	8,00	32	*58X80X9	S	58,00	79,72	80,00	9,00	32
		2.205	3.071	3.079	.315				2.283	3.139	3.150	.354	
*56X80X10	S	56,00	79,72	80,00	10,00	32	*58X80X10	S	58,00	79,72	80,00	10,00	32
		2.205	3.139	3.150	.394				2.283	3.139	3.150	.394	
*56X80X13	S	56,00	79,72	80,00	13,00	32	*58X80X12	S	58,00	79,72	80,00	12,00	32
		2.205	3.139	3.150	.512				2.283	3.139	3.150	.472	
56X80X8	S	56,00	80,00	80,28	8,00	32	*58X80X13	S	58,00	79,72	80,00	13,00	32
		2.205	3.150	3.161	.315				2.283	3.139	3.150	.512	
56X82X8	S	56,00	82,00	82,20	8,00	32	58X80X8	S	58,00	80,00	80,28	8,00	32
		2.205	3.228	3.236	.315				2.283	3.150	3.161	.315	
*56X85X10	S	56,00	84,72	85,00	10,00	32	*58X80X8V	V	58,00	80,00	80,20	8,00	35
		2.205	3.335	3.346	.394				2.283	3.150	3.157	.315	
56X85X8	S	56,00	85,00	85,28	8,00	35	*58X82X12	S	58,00	81,72	82,00	12,00	32
		2.205	3.346	3.357	.315				2.283	3.217	3.228	.472	
56X88X8	S	56,00	88,00	88,20	8,00	32	*58X82X8	S	58,00	82,00	82,20	8,00	32
		2.205	3.465	3.472	.315				2.283	3.228	3.236	.315	
56X90X8	S	56,00	90,00	90,20	8,00	32	*58X85X8	S	58,00	84,72	85,00	8,00	32
		2.205	3.543	3.551	.315				2.283	3.335	3.346	.315	

For Illustration and Material Data See Technical Section

↔ Hydrodynamic Lip Design-Bidirectional * Call 1-800-480-1212 For Price and Delivery

Part No.	Lip Mat'l	Shaft Size	Hsg. Bore	Seal O.D.	Seal Width	Type/ Illus.	Part No.	Lip Mat'l	Shaft Size	Hsg. Bore	Seal O.D.	Seal Width	Type/ Illus.
METRIC SERIES (cont.)							METRIC SERIES (cont.)						
*58X85X12	S	58,00	84,72	85,00	12,00	32	60X85X8	S	60,00	85,00	85,28	8,00	32
		2.283	3.335	3.346	.472				2.362	3.346	3.357	.315	
58X85X10	S	58,00	85,00	85,28	10,00	35	*60X85X8V	V	60,00	85,00	85,20	8,00	32
		2.283	3.346	3.357	.394				2.362	3.346	3.354	.315	
58X85X13	S	58,00	85,00	85,25	13,00	32	60X85X12	S	60,00	85,00	85,20	12,00	32
		2.283	3.346	3.356	.512				2.362	3.346	3.354	.472	
58X88X8	S	58,00	88,00	88,20	8,00	32	*60X86X10	S	60,00	85,72	86,00	10,00	32
		2.283	3.465	3.472	.315				2.362	3.375	3.386	.394	
58X90X10	S	58,00	90,00	90,28	10,00	35	*60X88X8	S	60,00	88,00	88,20	8,00	32
		2.283	3.543	3.554	.394				2.362	3.465	3.472	.315	
*58X92X8	S	58,00	91,72	92,00	8,00	32	*60X90X11	S	60,00	89,72	90,00	11,00	32
		2.283	3.611	3.622	.315				2.362	3.532	3.543	.433	
*60X70X10	S	60,00	69,75	70,00	10,00	32	*60X90X12	S	60,00	89,72	90,00	12,00	32
		2.362	2.746	2.756	.394				2.362	3.532	3.543	.472	
*60X70X12	S	60,00	69,75	70,00	12,00	32	*60X90X13	S	60,00	89,72	90,00	13,00	32
		2.362	2.746	2.756	.472				2.362	3.532	3.543	.512	
*60X72X9	S	60,00	71,75	72,00	9,00	32	60X90X8	S	60,00	90,00	90,25	8,00	32
		2.362	2.825	2.835	.354				2.362	3.543	3.553	.315	
*60X72X10	S	60,00	71,75	72,00	10,00	32	60X90X10	S	60,00	90,00	90,27	10,00	35
		2.362	2.825	2.835	.394				2.362	3.543	3.554	.394	
60X72X8	S	60,00	72,00	72,28	8,00	35	*60X95X10	S	60,00	94,72	95,00	10,00	32
		2.362	2.835	2.846	.315				2.362	3.729	3.740	.394	
*60X74X10	S	60,00	73,75	74,00	10,00	32	*60X95X12	S	60,00	94,72	95,00	12,00	32
		2.362	2.903	2.913	.394				2.362	3.729	3.740	.472	
*60X75X9	S	60,00	74,75	75,00	9,00	32	*60X95X13	S	60,00	94,72	95,00	13,00	32
		2.362	2.943	2.953	.354				2.362	3.729	3.740	.512	
*60X75X10	S	60,00	74,75	75,00	10,00	32	60X95X8	S	60,00	95,00	95,20	8,00	32
		2.362	2.943	2.953	.394				2.362	3.740	3.748	.315	
*60X75X12	S	60,00	74,75	75,00	12,00	32	*60X100X13	S	60,00	99,72	100,00	13,00	32
		2.362	2.943	2.953	.472				2.362	3.926	3.937	.512	
60X75X8	S	60,00	75,00	75,28	8,00	32	*60X100X8	S	60,00	100,00	100,20	8,00	32
		2.362	2.953	2.964	.315				2.362	3.937	3.945	.315	
*60X75X8V	V	60,00	75,00	75,20	8,00	32	60X100X10↔	N	60,00	100,00	100,20	10,00	32
		2.362	2.953	2.961	.315				2.362	3.937	3.945	.394	
*60X76X9	S	60,00	75,75	76,00	9,00	32	*60X104X12	S	60,00	103,72	104,00	12,00	32
		2.362	2.982	2.992	.354				2.362	4.083	4.094	.472	
*60X77X12	S	60,00	76,72	77,00	12,00	32	*60X105X8	S	60,00	105,00	105,20	8,00	32
		2.362	3.020	3.031	.472				2.362	4.134	4.142	.315	
*60X78X9	S	60,00	77,72	78,00	9,00	32	*60X110X12	S	60,00	109,72	110,00	12,00	32
		2.362	3.060	3.071	.354				2.362	4.320	4.331	.472	
*60X78X10	S	60,00	77,72	78,00	10,00	32	60X110X8	S	60,00	110,00	110,20	8,00	32
		2.362	3.060	3.071	.394				2.362	4.331	4.339	.315	
*60X78X8	S	60,00	78,00	78,20	8,00	32	*60X79.5X10	S	60,00	79,22	79,50	10,00	32
		2.362	3.071	3.079	.315				2.362	3.119	3.130	.394	
*60X80X9	S	60,00	79,72	80,00	9,00	32	*60.5X78X10	S	60,50	77,72	78,00	10,00	32
		2.362	3.139	3.150	.354				2.382	3.060	3.071	.394	
*60X80X10	S	60,00	79,72	80,00	10,00	32	*62X75X10	S	62,00	74,75	75,00	10,00	32
		2.362	3.139	3.150	.394				2.441	2.943	2.953	.394	
*60X80X12	S	60,00	79,72	80,00	12,00	32	*62X75X12	S	62,00	74,75	75,00	12,00	32
		2.362	3.139	3.150	.472				2.441	2.943	2.953	.472	
*60X80X13	S	60,00	79,72	80,00	13,00	32	*62X78X10	S	62,00	77,72	78,00	10,00	32
		2.362	3.139	3.150	.512				2.441	3.060	3.071	.394	
60X80X8	S	60,00	80,00	80,20	8,00	32	*62X78X8	S	62,00	78,00	78,20	8,00	32
		2.362	3.150	3.157	.315				2.441	3.071	3.079	.315	
*60X80X8V	V	60,00	80,00	80,20	8,00	32	*62X80X12	S	62,00	79,72	80,00	12,00	32
		2.362	3.150	3.157	.315				2.441	3.139	3.150	.472	
*60X82X9	S	60,00	81,72	82,00	9,00	32	62X80X9	S	62,00	80,00	80,20	9,00	32
		2.362	3.217	3.228	.354				2.441	3.150	3.157	.315	
60X82X7	S	60,00	82,00	82,20	7,00	32	62X80X10	S	62,00	80,00	80,28	10,00	32
		2.362	3.228	3.236	.276				2.441	3.150	3.161	.394	
60X82X12	S	60,00	82,00	82,30	12,00	35	*62X80X10V	V	62,00	80,00	80,20	10,00	35
		2.362	3.228	3.240	.472				2.441	3.150	3.157	.394	
*60X84X10	S	60,00	83,72	84,00	10,00	32	*62X82X10	S	62,00	81,72	82,00	10,00	32
		2.362	3.296	3.307	.394				2.441	3.217	3.228	.394	
*60X85X6	S	60,00	84,72	85,00	6,00	32	*62X82X8	S	62,00	82,00	82,20	8,00	32
		2.362	3.335	3.346	.236				2.441	3.228	3.236	.315	
*60X85X10	S	60,00	84,72	85,00	10,00	32	*62X85X10	S	62,00	84,72	85,00	10,00	32
		2.362	3.335	3.346	.394				2.441	3.335	3.346	.394	
*60X85X13	S	60,00	84,72	85,00	13,00	32	*62X85X12	S	62,00	84,72	85,00	12,00	32
		2.362	3.335	3.346	.512				2.441	3.335	3.346	.472	

NUMERICAL SECTION

For Illustration and Material Data See Technical Section
 ↔ Hydrodynamic Lip Design-Bidirectional * Call 1-800-480-1212 For Price and Delivery

Numerical List Size & Type

NATIONAL®



Part No.	Lip Mat'l	Shaft Size	Hsg. Bore	Seal O.D.	Seal Width	Type/Illus.	Part No.	Lip Mat'l	Shaft Size	Hsg. Bore	Seal O.D.	Seal Width	Type/Illus.
METRIC SERIES (cont.)							METRIC SERIES (cont.)						
*62X85X13	S	62.00	84.72	85.00	13.00	32	*64X120X12	S	64.00	119.72	120.00	12.00	32
		2.441	3.335	3.346	.512				2.520	4.713	4.724	.472	
62X85X8	S	62.00	85.00	85.13	8.00	41	*65X75X8	S	65.00	74.75	75.00	8.00	32
		2.441	3.346	3.352	.315				2.559	2.943	2.953	.315	
62X88X8	S	62.00	88.00	88.20	8.00	32	*65X75X10	S	65.00	74.75	75.00	10.00	32
		2.441	3.465	3.472	.315				2.559	2.943	2.953	.394	
*62X89X12	S	62.00	88.72	89.00	12.00	32	*65X75X12	S	65.00	74.75	75.00	12.00	32
		2.441	3.493	3.504	.472				2.559	2.943	2.953	.472	
*62X90X13	S	62.00	89.72	90.00	13.00	32	*65X78X12	S	65.00	77.72	78.00	12.00	32
		2.441	3.532	3.543	.512				2.559	3.060	3.071	.472	
62X90X10	S	62.00	90.00	90.28	10.00	32	*65X80X10	S	65.00	79.72	80.00	10.00	32
		2.441	3.543	3.554	.394				2.559	3.139	3.150	.394	
62X92X8	S	62.00	92.00	92.20	8.00	32	*65X80X12	S	65.00	79.72	80.00	12.00	32
		2.441	3.622	3.630	.315				2.559	3.139	3.150	.472	
*62X95X12	S	62.00	94.72	95.00	12.00	32	65X80X8	S	65.00	80.00	80.28	8.00	32
		2.441	3.729	3.740	.472				2.559	3.150	3.161	.315	
*62X100X10	S	62.00	99.72	100.00	10.00	32	*65X80X8V	V	65.00	80.00	80.20	8.00	32
		2.441	3.926	3.937	.394				2.559	3.150	3.157	.315	
*62X100X12	S	62.00	99.72	100.00	12.00	32	*65X82X9	S	65.00	81.72	82.00	9.00	32
		2.441	3.926	3.937	.472				2.559	3.217	3.228	.354	
62X100X7	S	62.00	100.00	100.30	7.00	32	*65X82X12	S	65.00	81.72	82.00	12.00	32
		2.441	3.937	3.949	.276				2.559	3.217	3.228	.472	
*62X100X8	S	62.00	100.00	100.20	8.00	32	*65X82X8	S	65.00	82.00	82.20	8.00	32
		2.441	3.937	3.945	.315				2.559	3.228	3.236	.315	
*62X110X13	S	62.00	109.72	110.00	13.00	32	*65X85X12	S	65.00	84.72	85.00	12.00	32
		2.441	4.320	4.331	.512				2.559	3.335	3.346	.472	
*63X78X8	S	63.00	78.00	78.20	8.00	32	*65X85X13	S	65.00	84.72	85.00	13.00	32
		2.480	3.071	3.079	.315				2.559	3.335	3.346	.512	
*63X80X9	S	63.00	79.72	80.00	9.00	32	65X85X8	S	65.00	85.00	85.20	8.00	35
		2.480	3.139	3.150	.354				2.559	3.346	3.354	.315	
*63X80X8	S	63.00	80.00	80.20	8.00	32	*65X85X8V	V	65.00	85.00	85.20	8.00	35
		2.480	3.150	3.157	.315				2.559	3.346	3.354	.315	
*63X82X8	S	63.00	82.00	82.20	8.00	32	65X85X10	S	65.00	85.00	85.27	10.00	32
		2.480	3.228	3.236	.315				2.559	3.346	3.357	.394	
63X85X7	S	63.00	85.00	85.27	7.00	32	*65X88X12	S	65.00	87.72	88.00	12.00	32
		2.480	3.346	3.357	.276				2.559	3.454	3.465	.472	
*63X85X12	S	63.00	84.72	85.00	12.00	32	*65X88X13	S	65.00	87.72	88.00	13.00	32
		2.480	3.335	3.346	.472				2.559	3.454	3.465	.512	
63X85X10	S	63.00	85.00	85.28	10.00	32	65X88X8	S	65.00	88.00	88.20	8.00	35
		2.480	3.346	3.357	.394				2.559	3.465	3.472	.315	
*63X88X12	S	63.00	87.72	88.00	12.00	32	65X88X10	S	65.00	88.00	88.20	10.00	32
		2.480	3.454	3.465	.472				2.559	3.465	3.472	.394	
*63X88X8	S	63.00	88.00	88.20	8.00	32	*65X90X8	S	65.00	89.72	90.00	8.00	32
		2.480	3.465	3.472	.315				2.559	3.532	3.543	.315	
63X90X7	S	63.00	90.00	90.27	7.00	32	*65X90X12	S	65.00	89.72	90.00	12.00	32
		2.480	3.543	3.554	.276				2.559	3.532	3.543	.472	
*63X90X12	S	63.00	89.72	90.00	12.00	32	65X90X7	S	65.00	90.00	90.20	7.00	32
		2.480	3.532	3.543	.472				2.559	3.543	3.551	.276	
63X90X10	S	63.00	90.00	90.14	10.00	32	65X90X10	S	65.00	90.00	90.28	10.00	32
		2.480	3.543	3.549	.394				2.559	3.543	3.554	.394	
*63X100X10	S	63.00	99.72	100.00	10.00	32	*65X90X10V	V	65.00	90.00	90.20	10.00	32
		2.480	3.926	3.937	.394				2.559	3.543	3.551	.394	
*63X100X13	S	63.00	99.72	100.00	13.00	32	65X90X13	S	65.00	90.00	90.20	13.00	35
		2.480	3.926	3.937	.512				2.559	3.543	3.551	.512	
*63X82.5X10	S	63.00	82.22	82.50	10.00	32	*65X95X10	S	65.00	94.72	95.00	10.00	32
		2.480	3.237	3.248	.394				2.559	3.729	3.740	.394	
*63.5X85X12	S	63.50	84.72	85.00	12.00	32	*65X95X12	S	65.00	94.72	95.00	12.00	32
		2.500	3.335	3.346	.472				2.559	3.729	3.740	.472	
*64X80X12	S	64.00	79.72	80.00	12.00	32	*65X95X13	S	65.00	94.72	95.00	13.00	32
		2.520	3.139	3.150	.472				2.559	3.729	3.740	.512	
*64X80X13	S	64.00	79.72	80.00	13.00	32	*65X95X14	S	65.00	94.72	95.00	14.00	32
		2.520	3.139	3.150	.512				2.559	3.729	3.740	.551	
64X80X8	S	64.00	80.00	80.28	8.00	32	65X95X7	S	65.00	95.00	95.20	7.00	32
		2.520	3.150	3.161	.315				2.559	3.740	3.748	.276	
*64X85X10	S	64.00	84.72	85.00	10.00	32	*65X95X8	S	65.00	95.00	95.20	8.00	32
		2.520	3.335	3.346	.394				2.559	3.740	3.748	.315	
*64X85X12	S	64.00	84.72	85.00	12.00	32	*65X100X12	S	65.00	99.72	100.00	12.00	32
		2.520	3.335	3.346	.472				2.559	3.926	3.937	.472	
*64X90X13	S	64.00	90.00	90.28	13.00	32	*65X100X13	S	65.00	99.72	100.00	13.00	32
		2.520	3.543	3.554	.512				2.559	3.926	3.937	.512	

For Illustration and Material Data See Technical Section
 * Call 1-800-480-1212 For Price and Delivery

Part No.	Lip Mat'l	Shaft Size	Hsg. Bore	Seal O.D.	Seal Width	Type/ Illus.	Part No.	Lip Mat'l	Shaft Size	Hsg. Bore	Seal O.D.	Seal Width	Type/ Illus.
METRIC SERIES (cont.)							METRIC SERIES (cont.)						
65X100X7	S	65,00	100,00	100,30	7,00	32	68X100X10	S	68,00	100,00	100,20	10,00	35
		2.559	3.937	3.949	.276				2.677	3.937	3.945	.394	
*65X100X9.5	S	65,00	99,72	100,00	9,50	32	68X100X13	S	68,00	100,00	100,28	13,00	32
		2.559	3.926	3.937	.374				2.677	3.937	3.948	.512	
65X100X10	S	65,00	100,00	100,28	10,00	35	*69X92X12	S	69,00	91,72	92,00	12,00	32
		2.559	3.937	3.948	.394				2.717	3.611	3.622	.472	
*65X100X10V	V	65,00	100,00	100,20	10,00	35	*70X80X10	S	70,00	79,72	80,00	10,00	32
		2.559	3.937	3.945	.394				2.756	3.139	3.150	.394	
*65X102X13	S	65,00	101,72	102,00	13,00	32	*70X83X10	S	70,00	82,72	83,00	10,00	32
		2.559	4.005	4.016	.512				2.756	3.257	3.268	.394	
*65X105X12	S	65,00	104,72	105,00	12,00	32	*70X85X9	S	70,00	84,72	85,00	9,00	32
		2.559	4.123	4.134	.472				2.756	3.335	3.346	.354	
*65X105X8	S	65,00	105,00	105,20	8,00	32	*70X85X10	S	70,00	84,72	85,00	10,00	32
		2.559	4.134	4.142	.315				2.756	3.335	3.346	.394	
*65X110X10	S	65,00	109,72	110,00	10,00	32	70X85X8	S	70,00	85,00	85,28	8,00	35
		2.559	4.320	4.331	.394				2.756	3.346	3.357	.315	
*65X110X12	S	65,00	109,72	110,00	12,00	32	*70X87X10	S	70,00	86,72	87,00	10,00	32
		2.559	4.320	4.331	.472				2.756	3.414	3.425	.394	
*65X110X13	S	65,00	109,72	110,00	13,00	32	*70X88X10	S	70,00	87,72	88,00	10,00	32
		2.559	4.320	4.331	.512				2.756	3.454	3.465	.394	
*65X110X8	S	65,00	110,00	110,20	8,00	32	70X88X8	S	70,00	88,00	88,25	8,00	48
		2.559	4.331	4.339	.315				2.756	3.465	3.474	.315	
*65X115X12	S	65,00	114,72	115,00	12,00	32	*70X88X9V	V	70,00	88,00	88,20	9,00	35
		2.559	4.517	4.528	.472				2.756	3.465	3.472	.354	
*65X115X13	S	65,00	114,72	115,00	13,00	32	70X88X12	S	70,00	88,00	88,25	12,00	32
		2.559	4.517	4.528	.512				2.756	3.465	3.474	.472	
*65X115X8	S	65,00	115,00	115,20	8,00	32	*70X90X8	S	70,00	89,72	90,00	8,00	32
		2.559	4.528	4.535	.315				2.756	3.532	3.543	.315	
*65X120X13	S	65,00	119,72	120,00	13,00	32	*70X90X12	S	70,00	89,72	90,00	12,00	32
		2.559	4.713	4.724	.512				2.756	3.532	3.543	.472	
*65X120X8	S	65,00	120,00	120,20	8,00	32	*70X90X13	S	70,00	89,72	90,00	13,00	32
		2.559	4.724	4.732	.315				2.756	3.532	3.543	.512	
*65X140X14	S	65,00	139,70	140,00	14,00	32	70X90X7	S	70,00	90,00	90,20	7,00	32
		2.559	5.500	5.512	.551				2.756	3.543	3.551	.276	
*67X82X7	S	67,00	81,72	82,00	7,00	32	70X90X10	S	70,00	90,00	90,32	10,00	32
		2.638	3.217	3.228	.276				2.756	3.543	3.556	.394	
68X82X7	S	68,00	82,00	82,20	7,00	32	*70X90X10V	V	70,00	90,00	90,20	10,00	32
		2.677	3.228	3.236	.276				2.756	3.543	3.551	.394	
*68X85X10	S	68,00	84,72	85,00	10,00	32	70X92X12	S	70,00	92,00	92,20	12,00	32
		2.677	3.335	3.346	.394				2.756	3.622	3.630	.472	
68X85X8	S	68,00	85,00	85,20	8,00	35	*70X95X12	S	70,00	94,72	95,00	12,00	32
		2.677	3.346	3.354	.315				2.756	3.729	3.740	.472	
*68X88X8	S	68,00	88,00	88,20	8,00	32	70X95X10	S	70,00	95,00	95,28	10,00	32
		2.677	3.465	3.472	.315				2.756	3.740	3.751	.394	
*68X90X8	S	68,00	89,72	90,00	8,00	32	*70X95X10V	V	70,00	95,00	95,20	10,00	35
		2.677	3.532	3.543	.315				2.756	3.740	3.748	.394	
*68X90X12	S	68,00	89,72	90,00	12,00	32	70X95X13	S	70,00	95,00	95,28	13,00	35
		2.677	3.532	3.543	.472				2.756	3.740	3.751	.512	
*68X90X13	S	68,00	89,72	90,00	13,00	32	*70X100X12	S	70,00	99,72	100,00	12,00	32
		2.677	3.532	3.543	.512				2.756	3.926	3.937	.472	
68X90X7	S	68,00	90,00	90,20	7,00	32	*70X100X14	S	70,00	99,72	100,00	14,00	32
		2.677	3.543	3.551	.276				2.756	3.926	3.937	.551	
68X90X10	S	68,00	90,00	90,32	10,00	32	70X100X10	S	70,00	100,00	100,20	10,00	32
		2.677	3.543	3.556	.394				2.756	3.937	3.945	.394	
*68X90X10V	V	68,00	90,00	90,20	10,00	32	*70X100X10V	V	70,00	100,00	100,20	10,00	35
		2.677	3.543	3.551	.394				2.756	3.937	3.945	.394	
68X95X7	S	68,00	95,00	95,28	7,00	32	70X100X13	S	70,00	100,00	100,28	13,00	32
		2.677	3.740	3.751	.276				2.756	3.937	3.948	.512	
*68X95X13	S	68,00	94,72	95,00	13,00	32	*70X102X13	S	70,00	101,72	102,00	13,00	32
		2.677	3.729	3.740	.512				2.756	4.005	4.016	.512	
*68X95X8	S	68,00	95,00	95,20	8,00	32	*70X105X12	S	70,00	104,72	105,00	12,00	32
		2.677	3.740	3.748	.315				2.756	4.123	4.134	.472	
68X95X10	S	68,00	95,00	95,20	10,00	35	70X105X7	S	70,00	105,00	105,30	7,00	32
		2.677	3.740	3.748	.394				2.756	4.134	4.146	.276	
*68X98X10	S	68,00	97,72	98,00	10,00	32	*70X105X10	S	70,00	105,00	105,20	10,00	32
		2.677	3.847	3.858	.394				2.756	4.134	4.142	.394	
68X100X7	S	68,00	100,00	100,28	7,00	32	70X105X13	S	70,00	105,00	105,20	13,00	35
		2.677	3.937	3.948	.276				2.756	4.134	4.142	.512	
*68X100X12	S	68,00	99,72	100,00	12,00	32	*70X110X12	S	70,00	109,72	110,00	12,00	32
		2.677	3.926	3.937	.472				2.756	4.320	4.331	.472	

NUMERICAL SECTION

For Illustration and Material Data See Technical Section
 * Call 1-800-480-1212 For Price and Delivery

Numerical List Size & Type

NATIONAL®



Part No.	Lip Mat'l	Shaft Size	Hsg. Bore	Seal O.D.	Seal Width	Type/Illus.	Part No.	Lip Mat'l	Shaft Size	Hsg. Bore	Seal O.D.	Seal Width	Type/Illus.
METRIC SERIES (cont.)							METRIC SERIES (cont.)						
*70X110X13	S	70,00	109,72	110,00	13,00	32	*75X100X10V	V	75,00	100,00	100,20	10,00	32
		2.756	4.320	4.331	.512				2.953	3.937	3.945	.394	
70X110X10	S	70,00	110,00	110,20	10,00	35	75X100X12	S	75,00	100,00	100,27	12,00	32
		2.756	4.331	4.339	.394				2.953	3.937	3.948	.472	
*70X112X13	S	70,00	111,72	112,00	13,00	32	*75X102X13	S	75,00	101,72	102,00	13,00	32
		2.756	4.398	4.409	.512				2.953	4.005	4.016	.512	
*70X115X13	S	70,00	114,72	115,00	13,00	32	*75X105X15	S	75,00	104,72	105,00	15,00	32
		2.756	4.517	4.528	.512				2.953	4.123	4.134	.591	
*70X115X15	S	70,00	114,72	115,00	15,00	32	75X105X13	S	75,00	105,00	105,27	13,00	32
		2.756	4.517	4.528	.591				2.953	4.134	4.144	.512	
*70X120X13	S	70,00	119,72	120,00	13,00	32	*75X106X10	S	75,00	105,72	106,00	10,00	32
		2.756	4.713	4.724	.512				2.953	4.162	4.173	.394	
*71X88X8	S	71,00	87,72	88,00	8,00	32	*75X110X13	S	75,00	109,72	110,00	13,00	32
		2.795	3.454	3.465	.315				2.953	4.320	4.331	.512	
*72X86X7.5	S	72,00	85,72	86,00	7,50	32	*75X110X10	S	75,00	110,00	110,20	10,00	32
		2.835	3.375	3.386	.295				2.953	4.331	4.339	.394	
*72X90X8	S	72,00	89,72	90,00	8,00	32	75X110X12	S	75,00	110,00	110,20	12,00	32
		2.835	3.532	3.543	.315				2.953	4.331	4.339	.472	
72X90X10	S	72,00	90,00	90,20	10,00	35	*75X115X13	S	75,00	114,72	115,00	13,00	32
		2.835	3.543	3.551	.394				2.953	4.517	4.528	.512	
*72X92X12	S	72,00	91,72	92,00	12,00	32	*75X115X9.5	S	75,00	114,72	115,00	9,50	32
		2.835	3.611	3.622	.472				2.953	4.517	4.528	.374	
*72X94X12	S	72,00	93,72	94,00	12,00	32	*75X115X10	S	75,00	115,00	115,20	10,00	32
		2.835	3.690	3.701	.472				2.953	4.528	4.535	.394	
*72X95X12	S	72,00	94,72	95,00	12,00	32	75X115X12	S	75,00	115,00	115,30	12,00	35
		2.835	3.729	3.740	.472				2.953	4.528	4.539	.472	
*72X95X13	S	72,00	94,72	95,00	13,00	32	*75X120X12	S	75,00	119,72	120,00	12,00	32
		2.835	3.729	3.740	.512				2.953	4.713	4.724	.472	
72X95X10	S	72,00	95,00	95,28	10,00	32	75X120X10	S	75,00	120,00	120,20	10,00	32
		2.835	3.740	3.751	.394				2.953	4.724	4.732	.394	
72X100X10	S	72,00	100,00	100,20	10,00	35	*75X134X10	S	75,00	133,70	134,00	10,00	32
		2.835	3.937	3.945	.394				2.953	5.264	5.276	.394	
72X100X12↔	S	72,00	100,00	100,31	12,00	32	*76X92X10	S	76,00	91,72	92,00	10,00	32
		2.835	3.937	3.949	.472				2.992	3.611	3.622	.394	
*72X105X13	S	72,00	104,72	105,00	13,00	32	*76X94X12	S	76,00	93,72	94,00	12,00	32
		2.835	4.123	4.134	.512				2.992	3.690	3.701	.472	
*72X105X10	S	72,00	105,00	105,20	10,00	32	*76X105X12	S	76,00	104,72	105,00	12,00	32
		2.835	4.134	4.142	.394				2.992	4.123	4.134	.472	
*72X110X10	S	72,00	110,00	110,20	10,00	32	*76X105X13	S	76,00	104,72	105,00	13,00	32
		2.835	4.331	4.339	.394				2.992	4.123	4.134	.512	
*74X90X10	S	74,00	89,72	90,00	10,00	32	*77X100X10	S	77,00	99,72	100,00	10,00	32
		2.913	3.532	3.543	.394				3.031	3.926	3.937	.394	
*74X94X10	S	74,00	93,72	94,00	10,00	32	*78X95X10	S	78,00	95,00	95,20	10,00	32
		2.913	3.690	3.701	.394				3.071	3.740	3.748	.394	
*74X95X7	S	74,00	94,72	95,00	7,00	32	*78X100X13	S	78,00	99,72	100,00	13,00	32
		2.913	3.729	3.740	.276				3.071	3.926	3.937	.512	
*74X100X13	S	74,00	99,72	100,00	13,00	32	78X100X10	S	78,00	100,00	100,27	10,00	32
		2.913	3.926	3.937	.512				3.071	3.937	3.948	.394	
*75X90X12	S	75,00	89,72	90,00	12,00	32	78X105X10	S	78,00	105,00	105,20	10,00	32
		2.953	3.532	3.543	.472				3.071	4.134	4.142	.394	
75X90X8	S	75,00	90,00	90,20	8,00	32	*78X110X12	S	78,00	109,72	110,00	12,00	32
		2.953	3.543	3.551	.315				3.071	4.320	4.331	.472	
75X90X10	S	75,00	90,00	90,25	10,00	32	*78X110X13	S	78,00	109,72	110,00	13,00	32
		2.953	3.543	3.553	.394				3.071	4.320	4.331	.512	
*75X92X12	S	75,00	91,72	92,00	12,00	32	*78X110X10	S	78,00	110,00	110,20	10,00	32
		2.953	3.611	3.622	.472				3.071	4.331	4.339	.394	
*75X95X8	S	75,00	94,72	95,00	8,00	32	78X115X10	S	78,00	115,00	115,20	10,00	32
		2.953	3.729	3.740	.315				3.071	4.528	4.535	.394	
*75X95X12	S	75,00	94,72	95,00	12,00	32	*80X95X8	S	80,00	94,72	95,00	8,00	32
		2.953	3.729	3.740	.472				3.150	3.729	3.740	.315	
*75X95X13	S	75,00	94,72	95,00	13,00	32	*80X98X10	S	80,00	97,72	98,00	10,00	32
		2.953	3.729	3.740	.512				3.150	3.847	3.858	.394	
75X95X10	S	75,00	95,00	95,28	10,00	32	*80X100X8	S	80,00	99,72	100,00	8,00	32
		2.953	3.740	3.751	.394				3.150	3.926	3.937	.315	
*75X95X10V	V	75,00	95,00	95,20	10,00	32	*80X100X12	S	80,00	99,72	100,00	12,00	32
		2.953	3.740	3.748	.394				3.150	3.926	3.937	.472	
*75X100X13	S	75,00	99,72	100,00	13,00	32	*80X100X13	S	80,00	99,72	100,00	13,00	32
		2.953	3.926	3.937	.512				3.150	3.926	3.937	.512	
75X100X10	S	75,00	100,00	100,20	10,00	32	80X100X10	S	80,00	100,00	100,20	10,00	35
		2.953	3.937	3.945	.394				3.150	3.937	3.945	.394	

For Illustration and Material Data See Technical Section
 ↔ Hydrodynamic Lip Design-Bidirectional * Call 1-800-480-1212 For Price and Delivery

Part No.	Lip Mat'l	Shaft Size	Hsg. Bore	Seal O.D.	Seal Width	Type/ Illus.	Part No.	Lip Mat'l	Shaft Size	Hsg. Bore	Seal O.D.	Seal Width	Type/ Illus.
METRIC SERIES (cont.)							METRIC SERIES (cont.)						
*80X100X10V	V	80,00	100,00	100,20	10,00	32	85X105X13	S	85,00	105,00	105,28	13,00	32
		3.150	3.937	3.945	.394				3.346	4.134	4.145	.512	
*80X105X12	S	80,00	104,72	105,00	12,00	32	*85X110X13	S	85,00	109,72	110,00	13,00	32
		3.150	4.123	4.134	.472				3.346	4.320	4.331	.512	
80X105X10	S	80,00	105,00	105,20	10,00	32	85X110X10	S	85,00	110,00	110,20	10,00	35
		3.150	4.134	4.142	.394				3.346	4.331	4.339	.394	
*80X105X12V	V	80,00	105,00	105,20	12,00	35	85X110X12	S	85,00	110,00	110,28	12,00	32
		3.150	4.134	4.142	.472				3.346	4.331	4.342	.472	
80X105X13	S	80,00	105,00	105,27	13,00	32	*85X110X12V	V	85,00	110,00	110,20	12,00	32
		3.150	4.134	4.144	.512				3.346	4.331	4.339	.472	
*80X105X14	S	80,00	105,00	105,27	14,00	32	*85X111X10	S	85,00	110,72	111,00	10,00	32
		3.150	4.134	4.144	.551				3.346	4.359	4.370	.394	
*80X110X13	S	80,00	109,72	110,00	13,00	32	85X115X7	S	85,00	115,00	115,27	7,00	32
		3.150	4.320	4.331	.512				3.346	4.528	4.538	.276	
80X110X10	S	80,00	110,00	110,28	10,00	32	*85X115X15	S	85,00	114,72	115,00	15,00	32
		3.150	4.331	4.342	.394				3.346	4.517	4.528	.591	
*80X110X10V	V	80,00	110,00	110,20	10,00	32	*85X115X12	S	85,00	115,00	115,20	12,00	32
		3.150	4.331	4.339	.394				3.346	4.528	4.535	.472	
80X110X12	S	80,00	110,00	110,28	12,00	35	85X115X13	S	85,00	115,00	115,00	13,00	35
		3.150	4.331	4.342	.472				3.346	4.528	4.528	.512	
*80X115X10	S	80,00	114,72	115,00	10,00	32	*85X120X10	S	85,00	119,72	120,00	10,00	32
		3.150	4.517	4.528	.394				3.346	4.713	4.724	.394	
*80X115X13	S	80,00	114,72	115,00	13,00	32	*85X120X13	S	85,00	119,72	120,00	13,00	32
		3.150	4.517	4.528	.512				3.346	4.713	4.724	.512	
*80X115X12	S	80,00	115,00	115,20	12,00	32	*85X120X15	S	85,00	119,72	120,00	15,00	32
		3.150	4.528	4.535	.472				3.346	4.713	4.724	.591	
80X120X10	S	80,00	120,00	120,20	10,00	32	85X120X12	S	85,00	120,00	120,28	12,00	32
		3.150	4.724	4.732	.394				3.346	4.724	4.735	.472	
80X120X13	S	80,00	120,00	120,28	13,00	32	*85X125X13	S	85,00	124,72	125,00	13,00	32
		3.150	4.724	4.735	.512				3.346	4.910	4.921	.512	
80X125X7	S	80,00	125,00	125,27	7,00	32	*85X125X14	S	85,00	124,72	125,00	14,00	32
		3.150	4.921	4.932	.276				3.346	4.910	4.921	.551	
*80X125X10	S	80,00	124,72	125,00	10,00	32	85X125X12	S	85,00	125,00	125,20	12,00	32
		3.150	4.910	4.921	.394				3.346	4.921	4.929	.472	
*80X125X13	S	80,00	124,72	125,00	13,00	32	*85X130X12	S	85,00	129,70	130,00	12,00	32
		3.150	4.910	4.921	.512				3.346	5.106	5.118	.472	
*80X125X14	S	80,00	124,72	125,00	14,00	32	*85X130X14	S	85,00	129,70	130,00	14,00	32
		3.150	4.910	4.921	.551				3.346	5.106	5.118	.551	
*80X125X12	S	80,00	125,00	125,20	12,00	32	85X130X13	S	85,00	130,00	130,15	12,70	48
		3.150	4.921	4.929	.472				3.346	5.118	5.124	.500	
*80X130X13	S	80,00	129,70	130,00	13,00	32	*85X140X12	S	85,00	139,70	140,00	12,00	32
		3.150	5.106	5.118	.512				3.346	5.500	5.512	.472	
*80X130X12	S	80,00	130,00	130,20	12,00	32	*85X114.5X12	S	85,00	114,22	114,50	12,00	32
		3.150	5.118	5.126	.472				3.346	4.997	4.508	.472	
*80X135X12	S	80,00	135,00	135,20	12,00	32	*86X100X10	S	86,00	99,72	100,00	10,00	32
		3.150	5.315	5.323	.472				3.386	3.926	3.937	.394	
*80X140X12	S	80,00	140,00	140,20	12,00	32	*88X108X11	S	88,00	107,72	108,00	11,00	32
		3.150	5.512	5.520	.472				3.465	4.241	4.252	.433	
82X105X13	S	82,00	105,00	105,25	13,00	25	88X110X12	S	88,00	110,00	110,28	12,00	35
		3.228	4.134	4.144	.512				3.465	4.331	4.342	.472	
*83X104X9	S	83,00	103,72	104,00	9,00	32	*88X115X12	S	88,00	115,00	115,20	12,00	32
		3.268	4.083	4.094	.354				3.465	4.528	4.535	.472	
*83X110X13	S	83,00	109,72	110,00	13,00	32	*88X120X12	S	88,00	120,00	120,20	12,00	32
		3.268	4.320	4.331	.512				3.465	4.724	4.732	.472	
*83X117X14	S	83,00	116,72	117,00	14,00	32	*90X100X7	S	90,00	99,72	100,00	7,00	32
		3.268	4.595	4.606	.551				3.543	3.926	3.937	.276	
*84X100X10	S	84,00	99,72	100,00	10,00	32	*90X100X12	S	90,00	99,72	100,00	12,00	32
		3.307	3.926	3.937	.394				3.543	3.926	3.937	.472	
*84X100X12	S	84,00	100,00	100,20	12,00	32	*90X105X12	S	90,00	104,72	105,00	12,00	32
		3.307	3.937	3.945	.472				3.543	4.123	4.134	.472	
*85X100X9	S	85,00	99,72	100,00	9,00	32	*90X105X13	S	90,00	104,72	105,00	13,00	32
		3.346	3.926	3.937	.354				3.543	4.123	4.134	.512	
*85X100X10	S	85,00	99,72	100,00	10,00	32	*90X110X10	S	90,00	109,72	110,00	10,00	32
		3.346	3.926	3.937	.394				3.543	4.320	4.331	.394	
*85X100X12	S	85,00	99,72	100,00	12,00	32	90X110X12	S	90,00	110,00	110,20	12,00	35
		3.346	3.926	3.937	.472				3.543	4.331	4.339	.472	
*85X105X12	S	85,00	104,72	105,00	12,00	32	*90X110X12V	V	90,00	110,00	110,20	12,00	32
		3.346	4.123	4.134	.472				3.543	4.331	4.339	.472	
85X105X10	S	85,00	105,00	105,28	10,00	32	*90X110X13	S	90,00	110,00	110,31	13,00	35
		3.346	4.134	4.145	.394				3.543	4.331	4.343	.512	

NUMERICAL SECTION

For Illustration and Material Data See Technical Section
 * Call 1-800-480-1212 For Price and Delivery

Numerical List Size & Type

NATIONAL®



Part No.	Lip Mat'l	Shaft Size	Hsg. Bore	Seal O.D.	Seal Width	Type/Illus.	Part No.	Lip Mat'l	Shaft Size	Hsg. Bore	Seal O.D.	Seal Width	Type/Illus.
METRIC SERIES (cont.)							METRIC SERIES (cont.)						
*90X112X12	S	90,00	111,72	112,00	12,00	32	95X125X12	S	95,00	125,00	125,28	12,00	35
		3.543	4.398	4.409	.472				3.740	4.921	4.932	.472	
*90X115X10	S	90,00	114,72	115,00	10,00	32	*95X130X13	S	95,00	129,70	130,00	13,00	32
		3.543	4.517	4.528	.394				3.740	5.106	5.118	.512	
*90X115X13	S	90,00	114,72	115,00	13,00	32	95X130X12	S	95,00	130,00	130,28	12,00	32
		3.543	4.517	4.528	.512				3.740	5.118	5.129	.472	
90X115X12	S	90,00	115,00	115,20	12,00	32	*95X135X13	S	95,00	134,70	135,00	13,00	32
		3.543	4.528	4.535	.472				3.740	5.303	5.315	.512	
*90X118X12	S	90,00	117,72	118,00	12,00	32	*95.25X120.65X12.7S		95,25	120,37	120,65	12,70	32
		3.543	4.635	4.646	.472				3.750	4.739	4.750	.500	
*90X120X13	S	90,00	119,72	120,00	13,00	32	98X120X13	S	98,00	120,00	120,20	13,00	35
		3.543	4.713	4.724	.512				3.858	4.724	4.732	.512	
90X120X12↔	S	90,00	120,00	120,28	12,00	32	*100X114X10	S	100,00	113,72	114,00	10,00	32
		3.543	4.724	4.735	.472				3.937	4.477	4.488	.394	
*90X120X12V	V	90,00	120,00	120,20	12,00	35	*100X115X9	S	100,00	114,72	115,00	9,00	32
		3.543	4.724	4.732	.472				3.937	4.517	4.528	.354	
*90X125X15	S	90,00	124,72	125,00	15,00	32	*100X115X10	S	100,00	114,72	115,00	10,00	32
		3.543	4.910	4.921	.591				3.937	4.517	4.528	.394	
90X125X7	S	90,00	125,00	125,70	7,00	32	*100X115X12	S	100,00	114,72	115,00	12,00	32
		3.543	4.921	4.949	.276				3.937	4.517	4.528	.472	
*90X125X12	S	90,00	125,00	125,20	12,00	32	*100X120X11	S	100,00	119,72	120,00	11,00	32
		3.543	4.921	4.929	.472				3.937	4.713	4.724	.433	
90X125X13	S	90,00	125,00	125,30	13,00	32	*100X120X13	S	100,00	119,72	120,00	13,00	32
		3.543	4.921	4.933	.512				3.937	4.713	4.724	.512	
*90X130X10	S	90,00	129,70	130,00	10,00	32	100X120X10	S	100,00	120,00	120,30	10,00	35
		3.543	5.106	5.118	.394				3.937	4.724	4.736	.394	
*90X130X13	S	90,00	129,70	130,00	13,00	32	100X120X12	S	100,00	120,00	120,28	12,00	32
		3.543	5.106	5.118	.512				3.937	4.724	4.735	.472	
*90X130X12	S	90,00	130,00	130,20	12,00	32	*100X120X12V	V	100,00	120,00	120,20	12,00	32
		3.543	5.118	5.126	.472				3.937	4.724	4.732	.472	
*90X135X13	S	90,00	134,70	135,00	13,00	32	*100X125X10	S	100,00	124,72	125,00	10,00	32
		3.543	5.303	5.315	.512				3.937	4.910	4.921	.394	
*90X135X12	S	90,00	135,00	135,20	12,00	32	*100X125X13	S	100,00	124,72	125,00	13,00	32
		3.543	5.315	5.323	.472				3.937	4.910	4.921	.512	
*90X140X12	S	90,00	140,00	140,20	12,00	32	100X125X12	S	100,00	125,00	125,28	12,00	32
		3.543	5.512	5.520	.472				3.937	4.921	4.932	.472	
90X145X14	S	90,00	145,00	145,20	14,00	32	*100X125X12V	V	100,00	125,00	125,20	12,00	35
		3.543	5.709	5.717	.551				3.937	4.921	4.929	.472	
*90X160X10	S	90,00	159,70	160,00	10,00	32	*100X127X10	S	100,00	126,72	127,00	10,00	32
		3.543	6.287	6.299	.394				3.937	4.989	5.000	.394	
*90X112.7X13	S	90,00	112,42	112,70	13,00	32	*100X130X10	S	100,00	129,70	130,00	10,00	32
		3.543	4.426	4.437	.512				3.937	5.106	5.118	.394	
*92X120X12	S	92,00	119,72	120,00	12,00	32	*100X130X13	S	100,00	129,70	130,00	13,00	32
		3.622	4.713	4.724	.472				3.937	5.106	5.118	.512	
92X120X13	S	92,00	120,00	120,24	13,00	35	100X130X12	S	100,00	130,00	130,28	12,00	32
		3.622	4.724	4.734	.512				3.937	5.118	5.129	.472	
*95X105X13	S	95,00	104,72	105,00	13,00	32	*100X130X12V	V	100,00	130,00	130,20	12,00	32
		3.740	4.123	4.134	.512				3.937	5.118	5.126	.472	
*95X110X11	S	95,00	109,72	110,00	11,00	32	*100X135X12	S	100,00	134,70	135,00	12,00	32
		3.740	4.320	4.331	.433				3.937	5.303	5.315	.472	
*95X110X12	S	95,00	109,72	110,00	12,00	32	*100X135X13	S	100,00	134,70	135,00	13,00	32
		3.740	4.320	4.331	.472				3.937	5.303	5.315	.512	
95X110X10	S	95,00	110,00	110,20	10,00	32	*100X135X14	S	100,00	134,70	135,00	14,00	32
		3.740	4.331	4.339	.394				3.937	5.303	5.315	.551	
95X115X12	S	95,00	115,00	115,28	12,00	35	*100X140X12	S	100,00	139,70	140,00	12,00	32
		3.740	4.528	4.539	.472				3.937	5.500	5.512	.472	
*95X115X13	S	95,00	115,00	115,28	13,00	35	*100X140X13	S	100,00	139,70	140,00	13,00	32
		3.740	4.528	4.539	.512				3.937	5.500	5.512	.512	
*95X115X13V	V	95,00	115,00	115,20	13,00	32	*100X150X10	S	100,00	149,70	150,00	10,00	32
		3.740	4.528	4.535	.512				3.937	5.894	5.906	.394	
*95X120X8	S	95,00	119,72	120,00	8,00	32	*100X150X13	S	100,00	149,70	150,00	13,00	32
		3.740	4.713	4.724	.315				3.937	5.894	5.906	.512	
*95X120X13	S	95,00	119,72	120,00	13,00	32	*102X125X12	S	102,00	125,00	125,20	12,00	32
		3.740	4.713	4.724	.512				4.016	4.921	4.929	.472	
95X120X12	S	95,00	120,00	120,28	12,00	32	102X130X13	S	102,00	130,00	130,28	13,00	35
		3.740	4.724	4.735	.472				4.016	5.118	5.129	.512	
*95X120X12V	V	95,00	120,00	120,20	12,00	35	*105X125X12	S	105,00	124,72	125,00	12,00	32
		3.740	4.724	4.732	.472				4.134	4.910	4.921	.472	
*95X125X13	S	95,00	124,72	125,00	13,00	32	105X125X13	S	105,00	125,00	125,28	13,00	32
		3.740	4.910	4.921	.512				4.134	4.921	4.932	.512	

For Illustration and Material Data See Technical Section

↔ Hydrodynamic Lip Design-Bidirectional * Call 1-800-480-1212 For Price and Delivery

Part No.	Lip Mat'l	Shaft Size	Hsg. Bore	Seal O.D.	Seal Width	Type/ Illus.	Part No.	Lip Mat'l	Shaft Size	Hsg. Bore	Seal O.D.	Seal Width	Type/ Illus.
METRIC SERIES (cont.)							METRIC SERIES (cont.)						
* 105X130X13	S	105,00	129,70	130,00	13,00	32	* 110X170X12	S	110,00	169,70	170,00	12,00	32
		4.134	5.106	5.118	.512				4.331	6.681	6.693	.472	
* 105X130X15	S	105,00	129,70	130,00	15,00	32	* 112X135X15	S	112,00	135,00	135,20	15,00	32
		4.134	5.106	5.118	.591				4.409	5.315	5.323	.591	
105X130X12	S	105,00	130,00	130,28	12,00	32	112X140X13	S	112,00	140,00	140,32	13,00	35
		4.134	5.118	5.129	.472				4.409	5.512	5.524	.512	
* 105X130X12V	V	105,00	130,00	130,20	12,00	32	* 112X142X14	S	112,00	141,70	142,00	14,00	32
		4.134	5.118	5.126	.472				4.409	5.579	5.591	.551	
* 105X135X13	S	105,00	134,70	135,00	13,00	32	* 112X145X15	S	112,00	145,00	145,20	15,00	32
		4.134	5.303	5.315	.512				4.409	5.709	5.717	.591	
* 105X135X14	S	105,00	134,70	135,00	14,00	32	* 112X150X15	S	112,00	150,00	150,20	15,00	32
		4.134	5.303	5.315	.551				4.409	5.906	5.913	.591	
* 105X135X15	S	105,00	134,70	135,00	15,00	32	114X140X13	S	114,00	140,00	140,28	13,00	32
		4.134	5.303	5.315	.591				4.488	5.512	5.523	.512	
* 105X135X12	S	105,00	135,00	135,20	12,00	32	* 115X135X15	S	115,00	135,00	135,20	15,00	32
		4.134	5.315	5.323	.472				4.528	5.315	5.323	.591	
* 105X140X13	S	105,00	139,70	140,00	13,00	32	* 115X140X13	S	115,00	139,70	140,00	13,00	32
		4.134	5.500	5.512	.512				4.528	5.500	5.512	.512	
* 105X140X15	S	105,00	139,70	140,00	15,00	32	* 115X140X14	S	115,00	139,70	140,00	14,00	32
		4.134	5.500	5.512	.591				4.528	5.500	5.512	.551	
105X140X12	S	105,00	140,00	140,28	12,00	32	115X140X12	S	115,00	140,00	140,28	12,00	32
		4.134	5.512	5.523	.472				4.528	5.512	5.523	.472	
* 105X145X15	S	105,00	144,70	145,00	15,00	32	* 115X140X12V	V	115,00	140,00	140,20	12,00	35
		4.134	5.697	5.709	.591				4.528	5.512	5.520	.472	
* 105X145X12	S	105,00	145,00	145,20	12,00	32	* 115X145X16	S	115,00	144,70	145,00	16,00	32
		4.134	5.709	5.717	.472				4.528	5.697	5.709	.630	
* 105X160X15	S	105,00	160,00	160,20	15,00	32	115X145X13	S	115,00	145,00	145,30	13,00	35
		4.134	6.299	6.307	.591				4.528	5.709	5.720	.512	
* 106X126X12	S	106,00	125,72	126,00	12,00	32	115X145X14	↔ S	115,00	145,00	145,20	14,00	32
		4.173	4.950	4.961	.472				4.528	5.709	5.717	.551	
* 110X125X12	S	110,00	124,72	125,00	12,00	32	* 115X145X15	S	115,00	145,00	145,20	15,00	32
		4.331	4.910	4.921	.472				4.528	5.709	5.717	.591	
* 110X130X13	S	110,00	129,70	130,00	13,00	32	* 115X150X15	S	115,00	149,70	150,00	15,00	32
		4.331	5.106	5.118	.512				4.528	5.894	5.906	.591	
110X130X12	S	110,00	130,00	130,28	12,00	32	115X150X12	S	115,00	150,00	150,28	12,00	35
		4.331	5.118	5.129	.472				4.528	5.906	5.917	.472	
* 110X130X12V	V	110,00	130,00	130,20	12,00	32	* 115X155X15	S	115,00	155,00	155,20	15,00	32
		4.331	5.118	5.126	.472				4.528	6.102	6.110	.591	
* 110X135X12	S	110,00	135,00	135,20	12,00	32	* 115X159X14	S	115,00	158,70	159,00	14,00	32
		4.331	5.315	5.323	.472				4.528	6.248	6.260	.551	
110X135X13	S	110,00	135,00	135,30	13,00	32	* 115X160X15	S	115,00	160,00	160,20	15,00	32
		4.331	5.315	5.327	.512				4.528	6.299	6.307	.591	
* 110X140X14	S	110,00	139,70	140,00	14,00	32	* 115X146.5X13	S	115,00	146,20	146,50	13,00	32
		4.331	5.500	5.512	.551				4.528	5.756	5.768	.512	
110X140X12	S	110,00	140,00	140,28	12,00	32	* 116X132X12	S	116,00	131,70	132,00	12,00	32
		4.331	5.512	5.523	.472				4.567	5.185	5.197	.472	
* 110X140X12V	V	110,00	140,00	140,28	12,00	32	* 120X140X12	S	120,00	139,70	140,00	12,00	32
		4.331	5.512	5.523	.472				4.724	5.500	5.512	.472	
110X140X13	S	110,00	140,00	140,23	13,00	32	* 120X140X15	S	120,00	139,70	140,00	15,00	32
		4.331	5.512	5.521	.512				4.724	5.500	5.512	.591	
* 110X145X14	S	110,00	144,70	145,00	14,00	32	120X140X13	S	120,00	140,00	140,28	13,00	32
		4.331	5.697	5.709	.551				4.724	5.512	5.523	.512	
* 110X145X12	S	110,00	145,00	145,20	12,00	32	120X145X12	S	120,00	145,00	145,28	12,00	35
		4.331	5.709	5.717	.472				4.724	5.709	5.720	.472	
110X145X13	S	110,00	145,00	145,30	13,00	35	* 120X146X13	S	120,00	145,70	146,00	13,00	32
		4.331	5.709	5.720	.512				4.724	5.736	5.748	.512	
110X150X12	S	110,00	150,00	150,25	12,00	35	* 120X150X13	S	120,00	149,70	150,00	13,00	32
		4.330	5.905	5.915	0.472				4.724	5.894	5.906	.512	
* 110X150X13	S	110,00	149,70	150,00	13,00	32	* 120X150X14	S	120,00	149,70	150,00	14,00	32
		4.331	5.894	5.906	.512				4.724	5.894	5.906	.551	
110X150X15	S	110,00	150,00	150,28	15,00	35	* 120X150X15	S	120,00	149,70	150,00	15,00	32
		4.331	5.906	5.917	.591				4.724	5.894	5.906	.591	
* 110X155X15	S	110,00	155,00	155,20	15,00	32	120X150X12	S	120,00	150,00	150,28	12,00	32
		4.331	6.102	6.110	.591				4.724	5.906	5.917	.472	
* 110X160X12	S	110,00	159,70	160,00	12,00	32	* 120X150X12V	V	120,00	150,00	150,20	12,00	32
		4.331	6.287	6.299	.472				4.724	5.906	5.913	.472	
* 110X160X15	S	110,00	160,00	160,20	15,00	32	* 120X155X14	S	120,00	154,70	155,00	14,00	32
		4.331	6.299	6.307	.591				4.724	6.090	6.102	.551	
* 110X167X17	S	110,00	166,70	167,00	17,00	32	* 120X155X16	S	120,00	154,70	155,00	16,00	32
		4.331	6.563	6.575	.669				4.724	6.090	6.102	.630	

NUMERICAL SECTION

For Illustration and Material Data See Technical Section
 ↔ Hydrodynamic Lip Design-Bidirectional * Call 1-800-480-1212 For Price and Delivery

Numerical List Size & Type

NATIONAL®



Part No.	Lip Mat'l	Shaft Size	Hsg. Bore	Seal O.D.	Seal Width	Type/Illus.	Part No.	Lip Mat'l	Shaft Size	Hsg. Bore	Seal O.D.	Seal Width	Type/Illus.
METRIC SERIES (cont.)							METRIC SERIES (cont.)						
* 120X155X15	S	120,00	155,00	155,20	15,00	32	* 130X165X15	S	130,00	164,70	165,00	15,00	32
		4.724	6.102	6.110	.591				5.118	6.484	6.496	.591	
* 120X159X14	S	120,00	158,70	159,00	14,00	32	* 130X170X13	S	130,00	169,70	170,00	13,00	32
		4.724	6.248	6.260	.551				5.118	6.681	6.693	.512	
* 120X160X15	S	120,00	159,70	160,00	15,00	32	130X170X12	S	130,00	170,00	170,30	12,00	35
		4.724	6.287	6.299	.591				5.118	6.693	6.705	.472	
120X160X12	S	120,00	160,00	160,28	12,00	32	* 130X170X12V	V	130,00	170,00	170,20	12,00	35
		4.724	6.299	6.310	.472				5.118	6.693	6.701	.472	
* 120X160X12V	V	120,00	160,00	160,20	12,00	35	130X170X15	S	130,00	170,00	170,28	15,00	32
		4.724	6.299	6.307	.472				5.118	6.693	6.704	.591	
* 120X180X15	S	120,00	179,67	180,00	15,00	32	* 130X190X12	S	130,00	189,67	190,00	12,00	32
		4.724	7.074	7.087	.591				5.118	7.467	7.480	.472	
* 120X146.5X13	S	120,00	146,20	146,50	13,00	32	* 130X200X12	S	130,00	199,67	200,00	12,00	32
		4.724	5.756	5.768	.512				5.118	7.861	7.874	.472	
* 122X140X13	S	122,00	139,70	140,00	13,00	32	* 135X155X13	S	135,00	154,70	155,00	13,00	32
		4.803	5.500	5.512	.512				5.315	6.090	6.102	.512	
* 124X159X14	S	124,00	158,70	159,00	14,00	32	* 135X160X15	S	135,00	159,70	160,00	15,00	32
		4.882	6.248	6.260	.551				5.315	6.287	6.299	.591	
* 124X170X14.5	S	124,00	169,70	170,00	14,50	32	135X160X13	S	135,00	160,00	160,38	13,00	35
		4.882	6.681	6.693	.571				5.315	6.299	6.314	.512	
* 125X145X13	S	125,00	144,70	145,00	13,00	32	* 135X165X13	S	135,00	164,70	165,00	13,00	32
		4.921	5.697	5.709	.512				5.315	6.484	6.496	.512	
* 125X150X13	S	125,00	149,70	150,00	13,00	32	* 135X165X14	S	135,00	164,70	165,00	14,00	32
		4.921	5.894	5.906	.512				5.315	6.484	6.496	.551	
* 125X150X14	S	125,00	149,70	150,00	14,00	32	135X170X12	S	135,00	170,00	170,38	12,00	35
		4.921	5.894	5.906	.551				5.315	6.693	6.708	.472	
* 125X150X15	S	125,00	149,70	150,00	15,00	32	138X152X12	S	138,00	152,00	152,10	12,00	47
		4.921	5.894	5.906	.591				5.433	5.984	5.988	.472	
125X150X12	S	125,00	150,00	150,28	12,00	32	* 138X152X15	S	138,00	152,00	152,20	15,00	32
		4.921	5.906	5.917	.472				5.433	5.984	5.992	.591	
* 125X150X12V	V	125,00	150,00	150,20	12,00	32	* 140X160X14	S	140,00	159,70	160,00	14,00	32
		4.921	5.906	5.913	.472				5.512	6.287	6.299	.551	
* 125X155X14	S	125,00	154,70	155,00	14,00	32	140X160X12	S	140,00	160,00	160,20	12,00	32
		4.921	6.090	6.102	.551				5.512	6.299	6.307	.472	
125X155X12	S	125,00	155,00	155,20	12,00	32	140X160X13	S	140,00	160,00	160,27	13,00	35
		4.921	6.102	6.110	.472				5.512	6.299	6.310	.512	
* 125X155X15	S	125,00	155,00	155,20	15,00	32	* 140X165X13	S	140,00	164,70	165,00	13,00	32
		4.921	6.102	6.110	.591				5.512	6.484	6.496	.512	
* 125X160X15	S	125,00	159,70	160,00	15,00	32	* 140X165X15	S	140,00	165,00	165,28	15,00	32
		4.921	6.287	6.299	.591				5.512	6.496	6.507	.591	
125X160X12	S	125,00	160,00	160,28	12,00	32	* 140X168X15	S	140,00	167,70	168,00	15,00	32
		4.921	6.299	6.310	.472				5.512	6.602	6.614	.591	
125X170X15	S	125,00	170,00	170,20	15,00	32	* 140X170X13	S	140,00	169,70	170,00	13,00	32
		4.921	6.693	6.701	.591				5.512	6.681	6.693	.512	
* 125X146.5X13	S	125,00	146,20	146,50	13,00	32	* 140X170X14	S	140,00	169,70	170,00	14,00	32
		4.921	5.756	5.768	.512				5.512	6.681	6.693	.551	
* 128X150X15	S	128,00	150,00	150,28	15,00	35	140X170X12	S	140,00	170,00	170,30	12,00	32
		5.039	5.906	5.917	.591				5.512	6.693	6.705	.472	
* 130X150X12	S	130,00	149,70	150,00	12,00	32	* 140X170X12V	V	140,00	170,00	170,20	12,00	32
		5.118	5.894	5.906	.472				5.512	6.693	6.701	.472	
* 130X150X13	S	130,00	149,70	150,00	13,00	32	140X170X15	S	140,00	170,00	170,43	15,00	32
		5.118	5.894	5.906	.512				5.512	6.693	6.710	.591	
130X150X10	S	130,00	150,00	150,10	10,00	47	* 140X175X15	S	140,00	174,70	175,00	15,00	32
		5.118	5.906	5.909	.394				5.512	6.878	6.890	.591	
* 130X150X15	S	130,00	150,00	150,20	15,00	32	* 140X180X15	S	140,00	179,67	180,00	15,00	32
		5.118	5.906	5.913	.591				5.512	7.074	7.087	.591	
* 130X155X14	S	130,00	154,70	155,00	14,00	32	140X180X12	S	140,00	180,00	180,30	12,00	35
		5.118	6.090	6.102	.551				5.512	7.087	7.098	.472	
* 130X160X13	S	130,00	159,70	160,00	13,00	32	140X180X18	S	140,00	180,00	180,38	18,00	32
		5.118	6.287	6.299	.512				5.512	7.087	7.102	.709	
* 130X160X14	S	130,00	159,70	160,00	14,00	32	* 140X185X16	S	140,00	184,67	185,00	16,00	32
		5.118	6.287	6.299	.551				5.512	7.270	7.283	.630	
130X160X12	S	130,00	160,00	160,28	12,00	32	* 142X157X10	S	142,00	156,70	157,00	10,00	32
		5.118	6.299	6.310	.472				5.591	6.169	6.181	.394	
* 130X160X12V	V	130,00	160,00	160,20	12,00	32	144X160X12	S	144,00	160,00	160,25	12,00	35
		5.118	6.299	6.307	.472				5.669	6.299	6.309	.472	
130X160X15	S	130,00	160,00	160,20	15,00	32	145X164X14	S	145,00	164,00	164,10	14,00	47
		5.118	6.299	6.307	.591				5.709	6.457	6.461	.551	
* 130X165X13	S	130,00	164,70	165,00	13,00	32	* 145X164X15	S	145,00	164,00	164,20	15,00	32
		5.118	6.484	6.496	.512				5.709	6.457	6.465	.591	

For Illustration and Material Data See Technical Section
 * Call 1-800-480-1212 For Price and Delivery

Part No.	Lip Mat'l	Shaft Size	Hsg. Bore	Seal O.D.	Seal Width	Type/ Illus.	Part No.	Lip Mat'l	Shaft Size	Hsg. Bore	Seal O.D.	Seal Width	Type/ Illus.
METRIC SERIES (cont.)							METRIC SERIES (cont.)						
* 145X165X13	S	145,00	164,70	165,00	13,00	32	* 160X185X13	S	160,00	184,67	185,00	13,00	32
		5.709	6.484	6.496	.512				6.299	7.270	7.283	.512	
* 145X165X14	S	145,00	164,70	165,00	14,00	32	160X185X10	S	160,00	185,00	185,35	10,00	35
		5.709	6.484	6.496	.551				6.299	7.283	7.297	.394	
* 145X167X13	S	145,00	166,70	167,00	13,00	32	* 160X185X10V	V	160,00	185,00	185,20	10,00	35
		5.709	6.563	6.575	.512				6.299	7.283	7.291	.394	
* 145X170X13	S	145,00	169,70	170,00	13,00	32	* 160X190X13	S	160,00	189,67	190,00	13,00	32
		5.709	6.681	6.693	.512				6.299	7.467	7.480	.512	
* 145X170X15	S	145,00	169,70	170,00	15,00	32	160X190X15	S	160,00	190,00	190,35	15,00	32
		5.709	6.681	6.693	.591				6.299	7.480	7.494	.591	
145X170X12	S	145,00	170,00	170,45	12,00	32	* 160X190X15V	V	160,00	190,00	190,20	15,00	32
		5.709	6.693	6.711	.472				6.299	7.480	7.488	.591	
* 145X175X13	S	145,00	174,70	175,00	13,00	32	* 160X200X14	S	160,00	199,67	200,00	14,00	32
		5.709	6.878	6.890	.512				6.299	7.861	7.874	.551	
* 145X175X14	S	145,00	174,70	175,00	14,00	32	160X200X12	S	160,00	200,00	200,20	12,00	32
		5.709	6.878	6.890	.551				6.299	7.874	7.882	.472	
145X175X15	S	145,00	175,00	175,38	15,00	32	160X200X15	S	160,00	200,00	200,20	15,00	32
		5.709	6.890	6.905	.591				6.299	7.874	7.882	.591	
145X180X12	S	145,00	180,00	180,28	12,00	35	* 160X240X15	S	160,00	239,67	240,00	15,00	32
		5.709	7.087	7.098	.472				6.299	9.436	9.449	.591	
148X170X15	S	148,00	170,00	170,28	15,00	35	* 162X200X15	S	162,00	200,00	200,20	15,00	32
		5.827	6.693	6.704	.591				6.378	7.874	7.882	.591	
* 150X168X13	S	150,00	167,70	168,00	13,00	32	* 165X190X14	S	165,00	189,67	190,00	14,00	32
		5.906	6.602	6.614	.512				6.496	7.467	7.480	.551	
* 150X170X15	S	150,00	169,70	170,00	15,00	32	* 165X190X15	S	165,00	189,67	190,00	15,00	32
		5.906	6.681	6.693	.591				6.496	7.467	7.480	.591	
* 150X175X10	S	150,00	174,70	175,00	10,00	32	165X190X13	S	165,00	190,00	190,35	13,00	41
		5.906	6.878	6.890	.394				6.496	7.480	7.494	.512	
* 150X180X13	S	150,00	179,67	180,00	13,00	32	* 165X195X15	S	165,00	194,67	195,00	15,00	32
		5.906	7.074	7.087	.512				6.496	7.664	7.677	.591	
* 150X180X14	S	150,00	179,67	180,00	14,00	32	* 165X200X14	S	165,00	199,67	200,00	14,00	32
		5.906	7.074	7.087	.551				6.496	7.861	7.874	.551	
150X180X12	S	150,00	180,00	180,35	12,00	32	* 170X190X10	S	170,00	189,67	190,00	10,00	32
		5.906	7.087	7.100	.472				6.693	7.467	7.480	.394	
150X180X15	S	150,00	180,00	180,35	15,00	35	* 170X190X14	S	170,00	189,67	190,00	14,00	32
		5.906	7.087	7.100	.591				6.693	7.467	7.480	.551	
* 150X180X15V	V	150,00	180,00	180,20	15,00	32	170X200X15	S	170,00	200,00	200,35	15,00	32
		5.906	7.087	7.094	.591				6.693	7.874	7.888	.591	
* 150X185X16	S	150,00	184,67	185,00	16,00	32	170X210X15	S	170,00	210,00	210,20	15,00	32
		5.906	7.270	7.283	.630				6.693	8.268	8.276	.591	
* 150X190X15	S	150,00	189,67	190,00	15,00	32	175X200X15	S	175,00	200,00	200,35	15,00	32
		5.906	7.467	7.480	.591				6.890	7.874	7.888	.591	
* 150X200X13	S	150,00	199,67	200,00	13,00	32	* 175X210X15	S	175,00	209,67	210,00	15,00	32
		5.906	7.861	7.874	.512				6.890	8.255	8.268	.591	
* 150X210X15	S	150,00	209,67	210,00	15,00	32	* 175X230X20	S	175,00	229,67	230,00	20,00	32
		5.906	8.255	8.268	.591				6.890	9.042	9.055	.787	
* 150X225X12	S	150,00	224,67	225,00	12,00	32	* 180X200X14	S	180,00	199,67	200,00	14,00	32
		5.906	8.845	8.858	.472				7.087	7.861	7.874	.551	
* 154X172X14	S	154,00	171,70	172,00	14,00	32	* 180X200X15	S	180,00	199,67	200,00	15,00	32
		6.063	6.760	6.772	.551				7.087	7.861	7.874	.591	
* 154X172X15	S	154,00	172,00	172,20	15,00	32	180X210X15	S	180,00	210,00	210,35	15,00	32
		6.063	6.772	6.780	.591				7.087	8.268	8.281	.591	
* 155X172X14	S	155,00	171,70	172,00	14,00	32	* 180X215X15	S	180,00	214,67	215,00	15,00	32
		6.102	6.760	6.772	.551				7.087	8.452	8.465	.591	
* 155X174X12	S	155,00	173,70	174,00	12,00	32	* 180X220X15	S	180,00	219,67	220,00	15,00	32
		6.102	6.838	6.850	.472				7.087	8.648	8.661	.591	
* 155X180X12	S	155,00	179,67	180,00	12,00	32	* 180X220X16	S	180,00	219,67	220,00	16,00	32
		6.102	7.074	7.087	.472				7.087	8.648	8.661	.630	
* 155X180X13	S	155,00	179,67	180,00	13,00	32	* 185X210X15	S	185,00	209,67	210,00	15,00	32
		6.102	7.074	7.087	.512				7.283	8.255	8.268	.591	
155X180X15	S	155,00	180,00	180,23	15,00	32	185X210X13	S	185,00	210,00	210,35	13,00	35
		6.102	7.087	7.096	.591				7.283	8.268	8.281	.512	
* 155X185X16	S	155,00	184,67	185,00	16,00	32	* 185X215X16	S	185,00	215,00	215,22	16,00	32
		6.102	7.270	7.283	.630				7.283	8.465	8.473	.630	
* 160X180X10	S	160,00	179,67	180,00	10,00	32	* 190X210X10	S	190,00	209,67	210,00	10,00	32
		6.299	7.074	7.087	.394				7.480	8.255	8.268	.394	
* 160X180X13	S	160,00	179,67	180,00	13,00	32	* 190X210X15	S	190,00	209,67	210,00	15,00	32
		6.299	7.074	7.087	.512				7.480	8.255	8.268	.591	
* 160X182X18	S	160,00	181,67	182,00	18,00	32	* 190X220X15	S	190,00	220,00	220,35	15,00	32
		6.299	7.152	7.165	.709				7.480	8.661	8.675	.591	

NUMERICAL SECTION

For Illustration and Material Data See Technical Section
 * Call 1-800-480-1212 For Price and Delivery

Numerical List Size & Type

NATIONAL®

Part No.	Lip Mat'l	Shaft Size	Hsg. Bore	Seal O.D.	Seal Width	Type/Illus.	Part No.	Lip Mat'l	Shaft Size	Hsg. Bore	Seal O.D.	Seal Width	Type/Illus.
METRIC SERIES (cont.)							METRIC SERIES (cont.)						
190X220X16	S	190,00	220,00	220,35	16,00	32	*250X280X15	S	250,00	280,00	280,35	15,00	35
		7.480	8.661	8.675	.630				9.843	11.024	11.037	.591	
*190X225X12	S	190,00	224,67	225,00	12,00	32	*250X290X15	S	250,00	289,67	290,00	15,00	32
		7.480	8.845	8.858	.472				9.843	11.404	11.417	.591	
*190X225X16	S	190,00	224,67	225,00	16,00	32	*260X290X15	S	260,00	289,67	290,00	15,00	32
		7.480	8.845	8.858	.630				10.236	11.404	11.417	.591	
*190X225X16V	V	190,00	225,00	225,20	16,00	32	*260X300X20	S	260,00	300,00	300,45	20,00	32
		7.480	8.858	8.866	.630				10.236	11.811	11.829	.787	
*190X230X15	S	190,00	229,67	230,00	15,00	32	*265X290X16	S	265,00	289,67	290,00	16,00	32
		7.480	9.042	9.055	.591				10.433	11.404	11.417	.630	
190X230X16	S	190,00	230,00	230,20	16,00	32	*270X310X16	S	270,00	310,00	310,45	16,00	35
		7.480	9.055	9.063	.630				10.630	12.205	12.222	.630	
*195X230X16	S	195,00	229,67	230,00	16,00	32	280X320X20	S	280,00	320,00	320,45	20,00	32
		7.677	9.042	9.055	.630				11.024	12.598	12.616	.787	
*195X230X20	S	195,00	229,67	230,00	20,00	32	*285X320X20	S	285,00	319,67	320,00	20,00	32
		7.677	9.042	9.055	.787				11.220	12.585	12.598	.787	
*200X230X13	S	200,00	229,67	230,00	13,00	32	*290X330X18	S	290,00	329,67	330,00	18,00	32
		7.874	9.042	9.055	.512				11.417	12.979	12.992	.709	
200X230X15	S	200,00	230,00	230,35	15,00	32	300X340X20	S	300,00	340,00	340,45	20,00	32
		7.874	9.055	9.069	.591				11.811	13.386	13.404	.787	
*200X230X15V	V	200,00	230,00	230,20	15,00	32	*320X360X20	S	320,00	360,00	360,45	20,00	32
		7.874	9.055	9.063	.591				12.598	14.173	14.191	.787	
*200X235X15	S	200,00	234,67	235,00	15,00	32	*340X380X20	S	340,00	380,00	380,45	20,00	32
		7.874	9.239	9.252	.591				13.386	14.961	14.978	.787	
*200X240X15	S	200,00	239,67	240,00	15,00	32	*360X400X20	S	360,00	400,00	400,45	20,00	32
		7.874	9.436	9.449	.591				14.173	15.748	15.766	.787	
*200X240X20	S	200,00	239,67	240,00	20,00	32	*380X420X20	S	380,00	420,00	420,45	20,00	32
		7.874	9.436	9.449	.787				14.961	16.535	16.553	.787	
*200X250X16	S	200,00	249,67	250,00	16,00	32	*400X440X20	S	400,00	440,00	440,45	20,00	32
		7.874	9.830	9.843	.630				15.748	17.323	17.341	.787	
*200X250X20	S	200,00	249,67	250,00	20,00	32	FELT SEALS						
		7.874	9.830	9.843	.787		5M81	F	1.938	-	2.875	.375	#
*205X225X18	S	205,00	224,67	225,00	18,00	32	5M89	F	2.500	-	3.438	.313	#
		8.071	8.845	8.858	.709		5M289	F	2.000	-	2.750	.438	#
*205X235X18	S	205,00	234,67	235,00	18,00	32	5M293	F	1.938	-	3.000	.375	#
		8.071	9.239	9.252	.709		5M356	F	2.000	-	3.125	.375	#
210X240X15	S	210,00	240,00	240,35	15,00	35	5M403	F	2.000	-	3.125	.500	#
		8.268	9.449	9.463	.591		*5M445	F	1.750	-	2.438	.313	#
*210X250X16	S	210,00	249,67	250,00	16,00	32	5M466	F	6.438	-	7.563	.500	#
		8.268	9.830	9.843	.630		5M497	F	4.125	-	5.750	.438	#
210X250X15	S	210,00	250,00	250,20	15,00	32	5M544	F	4.875	-	5.625	.375	#
		8.268	9.843	9.850	.591		5M559	F	2.813	-	3.563	.313	#
*210X270X16	S	210,00	269,67	270,00	16,00	32	5M643	F	3.250	-	4.063	.313	#
		8.268	10.617	10.630	.630		5MR71	F	2.188	-	3.063	.250	#
220X250X15	S	220,00	250,00	250,35	15,00	32	5MR1008	F	2.688	-	3.500	.219	#
		8.661	9.843	9.856	.591		5MR1009	F	2.937	-	3.812	.313	#
*220X250X15V	V	220,00	250,00	250,20	15,00	35	5MR1300	F	.938	-	1.500	.375	#
		8.661	9.843	9.850	.591		5MR1301	F	3.344	-	3.875	.281	#
*220X255X16	S	220,00	254,67	255,00	16,00	32							
		8.661	10.026	10.039	.630								
*220X260X14	S	220,00	259,67	260,00	14,00	32							
		8.661	10.223	10.236	.551								
*220X260X16	S	220,00	259,67	260,00	16,00	32							
		8.661	10.223	10.236	.630								
*220X260X15	S	220,00	260,00	260,20	15,00	32							
		8.661	10.236	10.244	.591								
*222X245X13	S	222,00	244,67	245,00	13,00	32							
		8.740	9.633	9.646	.512								
230X260X15	S	230,00	260,00	260,35	15,00	35							
		9.055	10.236	10.250	.591								
240X270X15	S	240,00	270,00	270,35	15,00	35							
		9.449	10.630	10.644	.591								
*240X270X16	S	240,00	270,00	270,35	16,00	35							
		9.449	10.630	10.644	.630								
*240X280X18	S	240,00	279,67	280,00	18,00	32							
		9.449	11.011	11.024	.709								
*240X280X20	S	240,00	279,67	280,00	20,00	32							
		9.449	11.011	11.024	.787								
240X280X16	S	240,00	280,00	280,20	16,00	32							
		9.449	11.024	11.031	.630								

For Illustration and Material Data See Technical Section

Designed For A Specific Application - Not Recommended For General Use * Call 1-800-480-1212 For Price and Delivery

Kit No.	Kit Dimensions			Seal No.	Type/ Lip		Seal Dimensions			Remarks
	Shaft	O.D.	Width		Illus.	Mat'l	Shaft	O.D.	Width	
PSK-1	1.250	1.756	-	SR2 (2) SW2 5683++ 5684++	- - 32 32	- - S S	- - 1.250 1.250	- - 1.756 1.756	- - .300 .399	(Kit)
5000	1.763	2.416	.563	-	-	-	-	-	-	
5001	1.875	2.565	.563	-	-	-	-	-	-	
5008	4.642	5.756	.750	455053	45	S	4.750	5.757	.562	Contains• JX847 Wear Sleeve
* 5010	4.750	6.006	.750	476621H	47	H	4.875	6.006	.562	Contains• J1135 Wear Sleeve
5015	3.010	8.250	.571	8369S	#	S	3.125	-	.571	Contains• G48 Gasket &• JV495 Wear Sleeve & (2) • G523 Gasket
5026	6.000	6.757	.750	336665H	33	H	6.125	6.757	.375	Contains• J1141 Wear Sleeve
5028	3.930	5.381	.875	9586	#	S	4.062	5.378	.627	Contains• JV1511A Wear Sleeve
5033	4.834	5.756	.710	3492	48	T	5.000	5.756	.500	Contains• JX2162 Wear Sleeve
5039	5.991	6.757	.500	4165V	#	V	6.107	6.757	.500	Contains• JV2088 Wear Sleeve
5045	2.496	3.758	.625	200851%	200E	S	2.496	3.772	.315	Contains• JV1582 Wear Sleeve
5065	3.994	5.005	.625	455134H	45	H	4.125	5.005	.468	Contains• J1129 Wear Sleeve
5066	2.377	3.505	.937	3894V	48	V	2.500	3.505	.500	Contains• JX1920 Wear Sleeve Seal & Sleeve (Split Seal)
5068	-	-	-	-	-	-	-	-	-	
5071	1.500	2.570	.550	200861%	200E	S	1.500	2.482	.290	Contains• JV933 Wear Sleeve
5072	2.625	3.480	.380	-	-	-	-	-	-	
5073	-	-	-	-	-	-	-	-	-	Contains (2) G753 Gasket
5075	4.500	6.259	.862	9588&	#	S	4.625	6.257	.550	Contains• JV1513 Wear Sleeve
5076	3.937	5.678	.875	9586	#	S	4.062	5.378	.627	Contains• JV1511 Wear Sleeve
5077	4.375	6.259	.843	9587&	#	S	4.500	6.257	.820	Contains• JV1512 Wear Sleeve
5079	3.110	5.750	.375	7896S	51	S	3.110	5.750	.375	
* 5082	5.180	6.507	.750	456986H	45	H	5.312	6.507	.625	Contains• J2037 Wear Sleeve
5084	3.750	4.756	.625	-	-	-	-	-	-	
5089	3.937	5.509	.597	2155	#	S	4.062	5.509	.597	Contains• JV1511 Wear Sleeve (Split Seal)
5092	-	3.030	.325	-	-	-	-	-	-	(Rope Type)
5095	3.438	4.012	.410	-	-	-	-	-	-	
5100	3.112	4.633	.920	9583	#	S	3.250	4.633	.706	Contains• JV1508 Wear Sleeve (Split Seal)
5106	-	-	-	-	-	-	-	-	-	(Split Seal)
5108	-	4.200	.222	-	-	-	-	-	-	(Split Seal)
5111	-	-	-	-	-	-	-	-	-	(Split Seal)
5112	-	-	-	-	-	-	-	-	-	(Split Seal)
5116	-	4.000	.187	-	-	-	-	-	-	(Split Seal)
5117	3.438	4.313	.188	-	-	-	-	-	-	(Split Seal)
5118	-	-	-	-	-	-	-	-	-	(Split Seal)
5120	3.125	4.130	.625	415566N	41	N	3.250	4.130	.562	Contains• J1122 Wear Sleeve
5146	5.500	6.631	.875	415487	41	S	5.625	6.631	.625	Contains• JV1463 Wear Sleeve
5147	2.625	3.755	.625	200919%	200E	S	2.625	3.960	.320	Contains• JV1517 Wear Sleeve
5160	2.250	3.256	.625	412038	41	S	2.375	3.256	.437	Contains• J1113 Wear Sleeve &• JV1836 Wear Sleeve
5161	2.000	3.376	.625	410972	41	S	2.125	3.376	.468	Contains• J1109 Wear Sleeve &• JV1837 Wear Sleeve
5163	2.835	3.425	.230	-	-	-	-	-	-	
5164	6.875	8.633	.825	3123	#	S	6.956	8.633	.750	
				3124%	46	S	6.875	8.543	.825	
5166	1.250	2.254	.750	410169	41	S	1.375	2.254	.500	Contains• JV1873 Wear Sleeve
5167	3.625	4.756	.875	475379	47	S	3.750	4.756	.500	Contains• JV1874 Wear Sleeve
5168	1.062	2.129	.625	413293	41	S	1.187	2.129	.375	Contains• JV1872 Wear Sleeve
5169	3.250	4.254	.750	476028	47	S	3.375	4.254	.468	Contains• JV1875 Wear Sleeve
5170	4.062	5.506	.875	415039	41	S	4.187	5.506	.562	Contains• JV1473 Wear Sleeve
* 5172	2.000	5.880	.458	6959	#	S	2.375	5.880	.331	Contains• K251 Wiper &• G895A Gasket
5175	9.265	11.385	.990	455871V	45	V	9.375	11.385	.750	Contains• JV829 Wear Sleeve
5185	3.125	8.250	.571	-	-	-	-	-	-	
5188	2.000	3.376	.625	410972N	41	N	2.125	3.376	.468	Contains• J1109 Wear Sleeve &• JV1837 Wear Sleeve
5189	2.250	3.256	.625	412038N	41	N	2.375	3.256	.437	Contains• J1113 Wear Sleeve &• JV1836 Wear Sleeve
5199	5.000	6.131	.875	8971H	7S	H	5.125	6.131	.750	Contains• JX1831 Wear Sleeve
5200	1.502	2.381	.940	9613S	71	S	1.500	2.381	.470	Contains• RP 356 Bushing (Seal & Bushing Kit)
5201	1.500	2.378	1.500	470059	47	S	1.500	2.378	.500	Contains• RP 605 Bushing (Seal & Bushing Kit)
5202	1.500	2.378	1.500	7692S	79	S	1.500	2.376	1.458	Contains• RP 605 Bushing (Seal & Bushing Kit)
5203	1.689	2.850	2.120	7300S	79	N	1.685	2.506	1.250	Contains• RP 661 Bushing (Seal & Bushing Kit)
5204	1.376	2.254	1.370	7495S	61	S	1.375	2.254	.713	Contains• RP 691 Bushing (Seal & Bushing Kit)
5205	1.688	2.687	1.240	7038SA	41	S	1.687	2.506	.582	Contains RP 717 Bushing (Seal & Bushing Kit)
5206	1.688	2.850	2.120	7300S	79	N	1.685	2.506	1.250	Contains• RP 546 Bushing (Seal & Bushing Kit)
5207	1.566	2.515	1.370	8935S&	79	S	1.558	2.254	1.520	Contains• RP 553 Bushing (Seal & Bushing Kit)
5208	1.887	1.998	1.000	9449	74	S	1.890	2.704	.582	Contains RP775 Bushing (Seal & Bushing Kit)
5227	9.375	11.383	.825	3502	45	S	9.477	11.383	.750	
				3503%	#	S	9.375	11.273	.825	
5228	5.875	7.008	.875	456055V	45	V	6.000	7.008	.625	Contains• JX1002 Wear Sleeve
5229	4.993	6.131	.750	416172	41	S	5.125	6.131	.562	Contains• J1137 Wear Sleeve
5273	2.991	3.637	.385	100202T	FW-H	T	2.991	3.637	.385	(Teflon®)
5274	3.740	4.540	.492	100203T	FW-H	T	3.740	4.540	.492	Contains 733215 Gasket (Teflon®)
5276	7.369	9.010	.875	415551	41	S	7.500	9.010	.750	Contains• JV1190 Wear Sleeve
5277	3.625	4.256	.390	100204T	FW-H	T	3.625	4.256	.390	(Teflon®)

NUMERICAL SECTION

Designed For A Specific Application - Not Recommended For General Use ◀ Hydrodynamic Lip Design-CCW ▶ Hydrodynamic Lip Design-Bidirectional
 ++ Not Sold Separately % External Bore & Flanged O.D. * Call 1-800-480-1212 For Price and Delivery • Sold Separately

Numerical List Kits

NATIONAL®

Kit No.	Kit Dimensions			Seal No.	Type/ Illus.	Lip Mat'l	Seal Dimensions			Remarks
	Shaft	O.D.	Width				Shaft	O.D.	Width	
5278	3.750	4.506	.362	•100205T◄	FW-H	T	3.750	4.506	.362	(Teflon®)
5279	3.583	4.375	.394	•100052T◄	FW-H	T	3.583	4.375	.394	Contains 731414 Gasket (Teflon®)
5287	3.465	4.266	.437	•100239T◄	FW-H	T	3.465	4.266	.437	Contains 732079 Gasket & 733419 Gasket & 734280 Gasket (Teflon®)
5290	2.988	3.740	1.165	—	—	—	—	—	—	
5302	1.750	3.376	.667	•8398	39	S	1.937	3.376	.667	Contains• K259 Wiper
5313	3.010	8.250	.571	•8369S	#	S	3.125	—	.571	Contains• K282 Wiper & (2) • G523 Gasket
5327	3.500	6.625	.531	•6245S	#	S	3.500	6.625	.531	Contains (2) • G35 Gasket
5329	2.000	4.562	.562	6465B++	#	F	2.000	4.562	.562	Contains (2) G33 Gasket
5330	2.000	4.562	.562	•6469	#	F	2.000	4.562	.562	Contains (2) • G34 Gasket
5331	1.562	2.506	.500	•450185	45	S	1.562	2.506	.500	Contains• G199 Gasket
5332	2.187	3.194	.437	450354	45	S	2.187	3.194	.437	Contains• G25 Gasket
5336	1.875	2.762	.500	•410283	41	S	1.875	2.762	.500	Contains• G736 Gasket
5346	1.062	1.507	.250	•340210	34	S	1.062	1.507	.250	Contains (2) • 666215 'O' Ring & 666232 'O' Ring & 666334 'O' Ring
5347	3.562	4.630	.700	•8480	#	S	3.557	4.530	.320	Contains• JV1170 Wear Sleeve
5361	1.875	3.130	.625	•450310N	45	N	2.000	3.130	.500	Contains• J1107 Wear Sleeve
5364	1.766	3.005	.875	•451139	45	S	1.875	3.005	.375	Contains• JX825 Wear Sleeve
5373	3.250	4.254	.625	•416294N	41	N	3.375	4.254	.500	Contains• J1123 Wear Sleeve
5376	4.000	5.004	.625	•415134N	41	N	4.125	5.004	.468	Contains• J1129 Wear Sleeve
5377	4.750	6.256	.750	•415068N	41	N	4.875	6.256	.562	Contains• J1135 Wear Sleeve
5381	3.250	5.004	.625	•415025	41	S	3.375	5.004	.468	Contains• J1123 Wear Sleeve
5382	3.250	4.254	.625	•415613	41	S	3.375	4.254	.625	Contains• J1123 Wear Sleeve
5383	5.625	6.632	1.000	455447	45	S	5.750	6.632	.625	Contains• J1355 Wear Sleeve
5384	2.531	6.125	.500	•7154S	#	S	2.531	6.125	.500	Contains• G41 Gasket
5388	1.875	2.690	.625	450360	45	S	2.000	2.690	.500	Contains• J1107 Wear Sleeve
5390	—	6.600	.430	—	—	—	—	—	—	Contains (2) • G214 Gasket & (2) • G594 Gasket
5397	2.121	3.350	.500	•9434%	46	S	2.121	3.296	.460	
				•482435	48	S	2.172	3.350	.500	
5399	2.812	4.504	1.000	•415356	41	S	2.937	4.504	.468	Contains• JV1427 Wear Sleeve
5401	2.500	6.125	.435	•7512S	51	S	2.500	6.125	.400	Contains (2) • G41 Gasket & G43 Gasket & JV1304 Wear Sleeve
5403	2.860	6.562	.571	•6479	#	S	2.860	6.460	.520	Contains• J493 Wear Sleeve
5405	3.125	7.500	.625	•6480	#	S	3.125	7.500	.531	Contains• G49 Gasket & K282 Wiper
5406	2.562	8.250	1.003	•6481N	—	—	—	—	—	Contains• G40 Gasket & K282 Wiper
5408	3.124	8.250	.518	•6477S	#	S	3.226	8.250	.518	Contains (2) • G40 Gasket & G42 Gasket & J873 Wear Sleeve
5410	3.125	8.125	.571	•6505S	#	S	3.125	8.125	.571	Contains• G48 Gasket & (2) • G54 Gasket & JV495 Wear Sleeve
5414	—	5.625	.430	—	—	—	—	—	—	Contains (2) • G129 Gasket & G130 Gasket & G131 Gasket
5419	—	6.906	.440	—	—	—	—	—	—	Contains (2) • G137 Gasket
5422	5.187	6.513	1.380	•327984◄	32	T	5.312	6.513	.500	Contains• JF2280 Wear Sleeve
5424	5.179	6.513	1.380	•327984◄	32	T	5.312	6.513	.500	Contains• JF2280 Wear Sleeve
5436	6.500	8.007	.750	914412◄	91	T	6.625	8.007	.750	Contains JG2361 Wear Sleeve
5441	6.500	8.007	.750	914411◄	91	T	6.625	8.007	.750	Contains JL2361 Wear Sleeve
5443	6.500	8.007	1.000	914413▶	91	T	6.625	8.007	1.000	Contains JG2345 Wear Sleeve
5452	3.000	8.250	.531	6764S	#	S	3.125	8.250	.500	Contains• G48 Gasket & G167 Gasket & J495 Wear Sleeve
5453	3.625	4.879	.585	•485497	48	S	3.625	4.879	.585	Contains• 633013 'O' Ring Kit
5458	1.880	2.414	.250	•6910S	35	S	1.880	2.414	.250	Contains• 610101 'O' Ring
5460	4.687	5.756	1.562	•455251H	45	H	4.812	5.756	.562	Contains• JV729 Wear Sleeve
5461	4.687	5.756	1.562	•75251S	7S	S	4.812	5.756	.750	Contains• J729 Wear Sleeve
5462	1.172	1.832	.422	•6370N	33	N	1.299	1.832	.375	Contains• J712 Wear Sleeve
5465	3.937	5.506	.859	•455037	45	S	4.062	5.506	.562	Contains• JV1362 Wear Sleeve
5471	4.812	6.316	1.250	•6872S	47	S	5.500	6.316	1.250	Contains• JV701 Wear Sleeve
5472	4.812	7.004	1.250	•7006S	43	S	5.500	7.004	1.250	Contains• JV701 Wear Sleeve
5473	4.812	6.505	1.125	•6873S	43	S	5.500	6.505	1.125	Contains• JV701 Wear Sleeve
5475	3.868	5.506	.921	•6864S	45	S	4.050	5.506	.671	Contains• J718 Wear Sleeve
5476	—	4.875	.455	—	—	—	—	—	—	Contains (2) • G211 Gasket
* 5479	—	4.862	.410	—	—	—	—	—	—	Contains (2) • G196 Gasket & (2) • G214 Gasket
5481	4.759	6.316	1.250	•6872S	47	S	5.500	6.316	1.250	Contains• JV753 Wear Sleeve
5483	4.759	6.505	1.125	•6873S	43	S	5.500	6.505	1.125	Contains• JV753 Wear Sleeve
5487	2.000	5.880	.448	—	—	—	—	—	—	Contains (2) • G221 Gasket & K251 Wiper
5488	2.129	2.766	.250	•6957	48	N	2.129	2.766	.250	Contains• 610123 'O' Ring
5494	3.010	8.150	.925	•6897	#	S	3.125	8.250	.925	Contains (2) • G40 Gasket & K156 Wiper
5495	4.759	7.004	1.250	•7006S	43	S	5.500	7.004	1.250	Contains• JV753 Wear Sleeve
5499	1.915	2.548	.250	•7020	#	S	1.915	2.548	.250	Contains• 610105 'O' Ring
5509	3.119	4.130	.750	•255566H	25	H	3.250	4.130	.500	Contains• J1401 Wear Sleeve
5518	3.119	4.756	.875	—	—	—	—	—	—	
* 5520	2.432	3.756	.750	•415244	41	S	2.562	3.756	.500	Contains• JV1455 Wear Sleeve
5521	2.120	3.505	.750	•415093	41	S	2.250	3.505	.500	Contains• JV1456 Wear Sleeve
5526	3.994	5.004	.718	•415134	41	S	4.125	5.004	.468	Contains• JV1461 Wear Sleeve
5527	4.743	6.256	.812	415068	41	S	4.875	6.256	.562	Contains• JV1462 Wear Sleeve

Designed For A Specific Application - Not Recommended For General Use ◄ Hydrodynamic Lip Design-CW ◄ Hydrodynamic Lip Design-CCW ++ Not Sold Separately
% External Bore * Call 1-800-480-1212 For Price and Delivery • Sold Separately

Kit No.	Kit Dimensions			Seal No.	Type/ Illus.	Lip Mat'l	Seal Dimensions			Remarks
	Shaft	O.D.	Width				Shaft	O.D.	Width	
5531	1.812	2.879	.718	•410295	41	S	1.937	2.879	.468	Contains• JV1464 Wear Sleeve
5532	3.562	5.256	.468	•416670	41	S	3.687	5.256	.468	Contains• JV1469 Wear Sleeve
5537	4.062	6.000	.875	•416673	41	S	4.187	6.007	.625	Contains• JV1473 Wear Sleeve
5538	6.875	8.382	.750	•416674	41	S	7.000	8.382	.750	Contains• JV1474 Wear Sleeve
5550	1.438	2.192	.480	•9249	47	S	1.437	2.192	.480	Contains• 623017 'O' Ring
* 5551	3.500	5.256	.718	•416335	41	S	3.625	5.256	.468	Contains• JV1494 Wear Sleeve
5563	3.937	5.506	.859	•6864S	45	S	4.050	5.506	.671	Contains• JV1362 Wear Sleeve
5567	2.430	3.031	.380	—	—	—	—	—	—	—
5573	1.915	2.548	.250	•7020	#	S	1.915	2.548	.250	Contains• 610145 'O' Ring
5575	4.687	7.635	.359	•6701	#	S	4.740	7.575	.410	Contains JV608 Wear Sleeve
* 5576	—	5.700	.415	—	—	—	—	—	—	Contains (2) • G427 Gasket
5578	3.125	4.130	1.000	•485500N	48	N	3.298	4.130	.562	Contains• K179 Wiper
5581	4.000	5.004	.937	•7390%	#	S	4.000	4.906	.821	Contains• JV943 Wear Sleeve
5584	2.750	3.881	1.000	•415479N	41	N	3.000	3.881	.468	Contains• K198 Wiper
5588	3.375	4.380	.812	•8130%	#	S	3.375	4.380	.730	Contains• JV976 Wear Sleeve
5589	2.129	2.766	.250	•6957	48	N	2.129	2.766	.250	Contains• 666151 'O' Ring
5591	—	6.240	.400	—	—	—	—	—	—	Contains (2) • G462 Gasket & (2) • G463 Gasket
5592	1.493	2.507	.700	•8097%	39	S	1.476	2.447	.620	Contains• JV970 Wear Sleeve
5593	3.250	4.572	.750	•200870%	200E	S	3.249	4.488	.318	Contains• JV980 Wear Sleeve
5594	1.875	4.812	.312	•7105S	#	S	1.875	4.812	.312	Contains (2) • G196 Gasket & (2) • G456 Gasket
5596	—	4.875	.410	—	—	—	—	—	—	Contains (2) • G196 Gasket & (2) • G456 Gasket
5599	1.875	2.627	.843	•470455	47	S	1.937	2.627	.500	Contains• J990 Wear Sleeve
5601	2.875	3.756	.625	•476023N	47	N	3.000	3.756	.375	Contains• JV1120 Wear Sleeve
5602	2.375	3.433	1.000	•473274N	47	N	2.500	3.433	.375	Contains• JV1802 Wear Sleeve
5603	2.375	4.943	1.000	•3136N◀▶	47	N	2.500	4.943	.500	Contains• JV1802 Wear Sleeve
5604	2.125	3.072	.433	•3948	#	S	2.201	2.741	.197	Contains• JV2019 Wear Sleeve
5609	3.250	4.008	.866	—	—	—	—	—	—	—
5613	6.079	7.336	.750	•2628	64	H	6.204	7.336	.562	Contains• K458 Wiper &• J1842 Wear Sleeve
5615	7.908	9.508	.960	•3624	#	S	8.000	9.508	.860	—
				•3776S	#	S	7.908	9.535	.960	—
5624	5.000	6.131	.875	•456557	45	V	5.125	6.131	.500	Contains• JX1831 Wear Sleeve
5625	4.646	5.756	.625	•485138	48	S	4.750	5.756	.500	Contains• JX1386 Wear Sleeve
5629	3.000	4.008	.625	•457034	45	V	3.125	4.008	.500	Contains• J1121 Wear Sleeve
5632	9.057	10.719	1.000	•3689	#	V	9.173	10.719	.625	Contains• J1984 Wear Sleeve
* 5634	6.204	7.336	.812	•3807	64	H	6.328	7.336	.500	Contains• J1825 Wear Sleeve
5637	6.079	7.336	.600	•2628	64	H	6.204	7.336	.562	Contains• J1895 Wear Sleeve
5643	4.875	6.006	.715	•3782	#	H	5.000	6.006	.500	Contains• J1606 Wear Sleeve
5645	5.998	6.757	.675	•4165V◀	#	V	6.107	6.757	.500	Contains• J2051 Wear Sleeve
5649	3.562	5.125	.875	•95848	74	S	3.562	4.761	.550	Contains• JV1509 Wear Sleeve
5650	—	5.700	.415	—	—	—	—	—	—	—
5657	3.000	4.008	.687	•457034	45	V	3.125	4.008	.500	Contains• JX1747 Wear Sleeve
5665	4.841	5.756	.750	•3492V	48	V	5.000	5.756	.500	Contains JX1967 Wear Sleeve
5666	2.340	3.355	.650	•3501V	69	V	2.420	3.355	.375	Contains• JX1966 Wear Sleeve
5667	3.865	6.102	.975	•4269	74	S	4.000	5.700	.850	Contains• J2058 Wear Sleeve
5682	—	—	—	—	—	—	—	—	—	—
5685	—	—	—	—	—	—	—	—	—	—
5686	—	—	—	—	—	—	—	—	—	(Kit)
5690	—	—	—	—	—	—	—	—	—	(Repair Kit)
5694	—	—	—	•1884	32	S	2.047	2.688	.394	(Kit)
				•4899	66	S	2.205	2.958	.256	—
				722111	—	—	—	—	—	—
5695	2.010	2.965	.318	•SK1++	#	S	2.030	2.601	.295	Contains• SK3 Wear Sleeve (Kit)
				•SK2++	#	S	2.010	2.876	.318	—
5696	2.047	2.964	.315	•1993	47	S	2.205	2.885	.492	(Kit)
				•4898	66	S	2.047	2.603	.295	—
				722110	—	—	—	—	—	—
5697	1.875	3.150	.315	4051	#	S	1.875	2.907	.315	Contains• AS232 'O' Ring
5698	2.420	3.558	.336	4185	#	S	2.420	3.558	.336	Contains• AS043 'O' Ring
5699	1.875	2.808	.433	4310	285	S	1.875	2.808	.433	Contains• AS232 'O' Ring
5700	—	—	—	—	—	—	—	—	—	(Kit)
5722	5.000	6.006	.717	•947090◀	94	T	5.125	6.006	.413	Contains• JL2370 Wear Sleeve

NUMERICAL SECTION

Designed For A Specific Application - Not Recommended For General Use ◀ Hydrodynamic Lip Design-CCW ▶ Hydrodynamic Lip Design-Bidirectional
 ++ Not Sold Separately % External Bore & Flanged O.D. * Call 1-800-480-1212 For Price and Delivery • Sold Separately

Numerical Section—Wear Sleeves

NATIONAL®



Part No.	Shaft	I.D.	Eff. Shaft Dia.	Flanged O.D.	Width	Type/ Illus.	Part No.	Shaft	I.D.	Eff. Shaft Dia.	Flanged O.D.	Width	Type/ Illus.
SK3++	2.896	2.965	—	—	.245	#	J1106	1.812	1.807	1.937	—	.625	19
J121	1.737	1.732	—	3.100	.203	10	JV1106	1.812	1.807	1.937	—	.625	19
J493	2.763	2.758	2.860	—	.435	15	J1107	1.875	1.870	2.000	—	.625	19
JV495	3.010	3.005	3.115	—	.435	15	JV1107	1.875	1.870	2.000	—	.625	19
*JV608	4.687	4.680	4.740	—	.283	15	J1109	2.000	1.995	2.125	—	.625	19
JV701	4.812	4.812	5.510	—	.875	#	JV1109	2.000	1.995	2.125	—	.625	19
J712	1.177	1.172	1.300	—	.422	19	J1110	2.062	2.057	2.187	—	.625	19
J729	4.687	4.683	4.812	—	1.562	19	JV1110	2.062	2.057	2.187	—	.625	19
JV729	4.687	4.683	4.826	—	1.562	19	J1111	2.125	2.120	2.250	—	.625	19
JV753	4.764	4.759	5.510	—	.875	#	JV1111	2.125	2.120	2.250	—	.625	19
J756	2.289	2.284	2.386	—	.453	15	JX1111	2.125	2.120	2.250	2.250	.625	19
J790	2.536	2.531	3.128	—	.625	#	J1112	2.187	2.182	2.312	—	.625	19
JV790	2.536	2.531	3.128	—	.625	#	JV1112	2.187	2.182	2.312	—	.625	19
J825	1.766	1.761	1.871	—	.875	19	J1113	2.250	2.245	2.375	—	.625	19
JV825	1.766	1.761	1.871	—	.875	19	JV1113	2.250	2.245	2.375	—	.625	19
JX825	1.766	1.761	1.871	—	.875	19	J1114	2.312	2.307	2.437	—	.625	19
JV829	9.265	9.256	9.365	—	.990	19	JV1114	2.312	2.307	2.437	—	.625	19
JX829	9.265	9.256	9.365	—	.990	19	J1115	2.375	2.370	2.500	—	.625	19
JXS829	9.265	9.256	9.365	—	.990	19	JV1115	2.375	2.370	2.500	—	.625	19
JX845	5.641	5.634	5.743	—	.750	19	J1117	2.500	2.495	2.625	—	.625	19
JX846	6.892	6.884	6.993	—	.937	19	JV1117	2.500	2.495	2.625	—	.625	19
JX847	4.636	4.631	4.744	—	.750	19	JX1117	2.500	2.495	2.625	—	.625	19
J872	—	3.187	3.322	—	.970	1	J1118	2.625	2.620	2.750	—	.625	19
J873	3.130	3.124	3.226	—	.435	15	JV1118	2.625	2.620	2.750	—	.625	19
J892	7.117	7.109	8.356	8.453	1.684	#	J1119	2.750	2.745	2.875	—	.625	19
J893	7.221	7.214	—	7.767	.491	#	JV1119	2.750	2.745	2.875	—	.625	19
J930	10.915	10.906	—	11.975	.815	10	J1120	2.875	2.870	3.000	—	.625	19
JV933	—	2.437	2.570	—	.550	1	JV1120	2.875	2.870	3.000	—	.625	19
JV943	4.917	4.910	5.004	—	.937	1	JX1120	2.875	2.870	3.000	—	.625	19
JV949	3.146	3.140	3.224	—	.625	1	J1121	3.000	2.994	3.125	—	.625	19
J953	5.637	5.630	5.755	—	1.175	1	JV1121	3.000	2.994	3.125	—	.625	19
JV970	2.458	2.453	2.507	—	.700	1	J1122	3.125	3.119	3.250	—	.625	19
JV976	—	3.453	4.380	—	.812	2	JV1122	3.125	3.119	3.250	—	.625	19
JV980	4.481	4.312	4.572	—	.750	1	JX1122	3.125	3.119	3.250	—	.625	19
J983	1.646	1.641	1.745	—	.625	19	J1123	3.250	3.244	3.375	—	.625	19
J986	12.345	11.260	12.400	—	.590	1	JV1123	3.250	3.244	3.375	—	.625	19
J990	1.876	1.871	1.933	—	.843	19	J1124	3.375	3.369	3.500	—	.625	19
JV1002	5.875	5.868	6.000	—	.875	19	JV1124	3.375	3.369	3.500	—	.625	19
JX1002	5.875	5.868	6.000	—	.875	19	J1125	3.500	3.494	3.625	—	.625	19
JV1018	2.288	2.284	2.386	—	.453	15	JV1125	3.500	3.494	3.625	—	.625	19
JV1019	6.444	6.437	6.526	—	.550	1	JX1125	3.500	3.494	3.625	—	.625	19
J1025	4.691	3.562	4.786	—	.840	1	J1126	3.625	3.619	3.750	—	.625	19
J1043	2.423	2.418	—	2.680	.488	#	JV1126	3.625	3.619	3.750	—	.625	19
J1044	3.000	2.995	3.125	—	1.250	#	J1127	3.750	3.744	3.875	—	.625	19
J1049	1.843	1.781	1.937	2.521	.782	8	JV1127	3.750	3.744	3.875	—	.625	19
J1059	6.575	6.515	6.687	7.531	1.040	8	J1128	3.875	3.869	4.000	—	.625	19
JV1060	4.918	4.687	5.009	—	.906	1	JV1128	3.875	3.869	4.000	—	.625	19
J1063	1.875	1.870	2.000	—	.562	19	JX1128	3.875	3.869	4.000	—	.625	19
J1064	—	2.250	2.404	3.073	.770	#	J1129	4.000	3.989	4.125	—	.625	19
J1065	2.097	2.093	2.187	2.725	.770	8	JV1129	4.000	3.994	4.125	—	.625	19
JV1074	3.874	3.868	4.035	—	.831	19	J1130	4.125	4.119	4.250	—	.625	19
JV1076	2.809	2.804	2.894	3.250	.500	8	JV1130	4.125	4.119	4.250	—	.625	19
JV1077	—	4.500	5.130	—	.600	1	J1131	4.250	4.244	4.375	—	.750	19
J1081	5.375	5.368	5.500	—	.750	19	JV1131	4.250	4.244	4.375	—	.750	19
J1082	3.125	3.119	3.225	—	.625	19	JX1131	4.250	4.244	4.375	—	.750	19
J1084	3.250	3.244	3.353	—	.625	19	J1132	4.375	4.369	4.500	—	.750	19
J1086	2.641	2.562	2.755	—	.690	1	JV1132	4.375	4.369	4.500	—	.750	19
J1087	8.525	8.517	8.625	10.550	1.105	8	JX1132	4.375	4.369	4.500	—	.750	19
JV1091	3.419	3.414	3.510	—	.531	1	J1133	4.500	4.493	4.625	—	.750	19
J1094	1.852	1.847	1.947	—	.647	19	JV1133	4.500	4.493	4.625	—	.750	19
*JV1099	2.906	2.900	3.000	3.125	.562	#	J1134	4.625	4.618	4.750	—	.750	19
J1101	1.500	1.495	1.625	—	.625	19	JV1134	4.625	4.618	4.750	—	.750	19
JV1101	1.500	1.495	1.625	—	.625	19	J1135	4.750	4.743	4.875	—	.750	19
J1102	1.562	1.557	1.687	—	.625	19	JV1135	4.750	4.743	4.875	—	.750	19
JV1102	1.562	1.557	1.687	—	.625	19	J1136	4.875	4.868	5.000	—	.750	19
J1103	1.625	1.620	1.750	—	.625	19	JV1136	4.875	4.868	5.000	—	.750	19
JV1103	1.625	1.620	1.750	—	.625	19	JX1136	4.875	4.868	5.000	—	.750	19
J1105	1.750	1.745	1.875	—	.625	19	J1137	5.000	4.993	5.125	—	.750	19
JV1105	1.750	1.745	1.875	—	.625	19	JV1137	5.000	4.993	5.125	—	.750	19
JX1105	1.750	1.745	1.875	—	.625	19	JX1137	5.000	4.993	5.125	—	.750	19

For Illustration and Material Data See Technical Section

Designed For A Specific Application - Not Recommended For General Use ++ Not Sold Separately * Call 1-800-480-1212 For Price and Delivery

Part No.	Shaft	I.D.	Eff. Shaft Dia.	Flanged O.D.	Width	Type/ Illus.	Part No.	Shaft	I.D.	Eff. Shaft Dia.	Flanged O.D.	Width	Type/ Illus.
J1138	5.250	5.243	5.375	—	.750	19	JV1410	1.365	1.360	1.496	—	.625	19
JV1138	5.250	5.243	5.375	—	.750	19	J1425	4.346	4.340	4.906	5.625	.563	#
J1139	5.500	5.493	5.625	—	.750	19	J1427	2.812	2.807	2.943	3.156	1.000	10
JV1139	5.500	5.493	5.625	—	.750	19	JV1427	2.812	2.807	2.937	3.156	1.000	10
J1140	5.750	5.743	5.875	—	.750	19	J1432	1.125	1.120	1.250	—	.625	19
JV1140	5.750	5.743	5.875	—	.750	19	JV1432	1.125	1.120	1.250	—	.625	19
J1141	6.000	5.993	6.125	—	.750	19	JV1455	2.437	2.432	2.562	2.750	.750	10
JV1141	6.000	5.993	6.125	—	.750	19	JV1456	2.125	2.120	2.250	2.437	.750	10
JX1141	6.000	5.993	6.125	6.125	.750	19	JV1461	4.000	3.994	4.125	4.312	.718	10
J1151	4.541	4.535	4.625	—	.468	1	JV1462	4.750	4.743	4.853	5.187	.812	10
JV1152	3.721	3.715	3.805	4.200	.458	19	JV1463	5.500	5.493	5.625	5.812	.875	10
J1155	4.625	4.618	4.739	—	.340	19	JV1464	1.812	1.807	1.937	2.125	.718	10
JV1157	—	2.140	2.331	2.625	.625	—	J1469	3.562	3.556	3.666	3.825	.718	10
J1158	1.125	1.120	1.250	—	.500	19	JV1469	3.562	3.556	3.687	3.825	.718	10
JX1158	1.125	1.120	1.250	—	.500	19	JV1473	4.062	4.056	4.187	4.375	.875	10
J1159	—	4.937	5.128	5.875	.838	8	JV1474	6.875	6.867	7.000	7.187	1.000	10
JV1161	2.567	2.562	3.115	—	.625	#	J1493	1.468	1.463	1.625	—	.625	19
JV1166	3.686	3.680	3.767	—	.625	1	JV1493	1.468	1.463	1.625	—	.625	19
J1172	4.275	4.187	4.375	5.125	.898	8	JV1494	3.500	3.494	3.625	3.937	.718	10
JV1172	4.275	4.187	4.375	5.125	.898	8	JV1500	1.625	1.620	1.755	—	.625	19
J1173	2.890	2.885	3.000	—	1.000	19	JX1505	1.625	1.620	1.750	—	.535	19
JV1173	2.890	2.885	3.000	—	1.000	19	JV1508	3.125	3.118	3.261	3.562	.920	10
JV1179	3.475	3.375	3.573	—	.800	1	JV1509	3.437	3.430	3.566	3.875	.875	10
JV1190	7.375	7.367	7.500	—	.875	19	JV1511	3.937	3.930	4.070	4.375	.875	10
JX1190	7.375	7.367	7.500	—	.875	19	JV1511A	3.930	3.925	4.375	—	.875	#
J1191	3.035	3.030	3.125	3.750	1.070	8	JV1512	4.375	4.368	4.500	4.812	.843	10
J1196	—	8.125	8.250	9.500	.875	8	JV1513	4.500	4.493	4.625	4.937	.912	10
J1197	4.500	4.494	5.500	—	.875	#	J1515	2.750	2.745	2.875	—	.625	19
JV1210	4.260	4.256	4.387	4.625	.656	10	JV1517	3.678	3.670	3.755	—	.625	1
J1211	1.731	1.726	1.812	3.000	1.000	#	JV1550	5.795	5.785	5.880	—	1.000	1
JV1215	2.728	2.722	2.806	—	.590	1	JX1576	2.750	2.745	2.875	—	.750	19
JV1216	2.698	2.690	2.774	—	.953	#	JV1582	3.678	3.670	3.758	—	.625	1
J1235	2.075	2.070	2.125	2.375	.448	10	J1594	.750	.745	.875	—	.500	19
JV1236	3.266	3.260	3.313	—	.453	1	JV1594	.750	.745	.875	—	.500	19
J1238	4.500	4.493	4.625	—	.625	19	J1606	4.875	4.868	5.000	—	.715	19
JX1238	4.500	4.493	4.625	—	.625	19	J1629	—	8.125	8.250	9.375	1.085	#
J1245	5.900	5.890	6.000	7.125	1.035	8	JV1669	7.875	7.867	8.011	—	.750	19
J1246	1.041	1.036	1.125	—	.625	19	JV1673	—	2.799	2.911	3.125	.640	#
JV1246	1.041	1.036	1.125	—	.625	19	JV1704	5.392	5.385	5.500	—	.625	19
JV1252	1.251	1.246	1.375	—	.500	19	J1718	3.375	3.369	3.500	—	1.125	19
JX1252	1.251	1.246	1.375	—	.500	19	JX1747	3.000	2.994	3.125	—	.687	19
J1267	.875	.869	.999	—	.562	19	J1750	3.742	3.732	3.821	—	.500	#
JV1267	.875	.869	.999	—	.562	19	JV1759	7.625	7.617	7.750	—	1.125	19
JV1277	1.375	1.370	1.500	—	.625	19	JV1760	7.750	7.742	7.875	—	1.000	19
J1278	6.875	6.867	7.000	—	.750	19	J1780	2.502	2.498	2.627	—	1.000	19
JV1278	6.875	6.867	7.000	—	.750	19	JV1802	2.375	2.370	2.500	—	1.000	19
J1284	4.535	4.530	4.625	—	.670	#	J1807	1.500	1.495	1.625	—	.415	19
J1288	2.500	2.495	2.625	—	.875	19	JV1808	10.312	10.303	10.479	—	1.125	19
J1289	2.750	2.745	2.875	—	.875	19	J1824	6.081	6.073	6.204	—	1.031	19
J1293	3.500	3.494	3.625	—	.875	19	J1825	6.206	6.198	6.328	—	.812	19
JV1304	2.412	2.400	2.518	—	.435	15	JV1825	6.206	6.198	6.328	—	.812	19
J1355	5.625	5.618	5.750	—	1.000	19	J1828	5.375	5.368	5.500	—	.848	#
JV1355	5.625	5.618	5.750	—	1.000	19	JX1828	5.375	5.368	5.500	—	.848	#
JV1361	3.874	3.868	4.040	4.500	.921	10	JX1831	5.000	4.993	5.125	—	.875	19
JV1362	3.936	3.930	4.042	4.375	.859	#	JV1836	2.236	2.231	2.375	—	.625	19
JV1363	4.500	4.493	4.625	—	.687	19	JV1837	1.980	1.975	2.111	—	.625	19
JX1363	4.500	4.493	4.625	—	.687	19	J1838	6.187	6.180	6.312	—	.848	#
JV1368	3.625	3.619	3.750	—	.625	19	J1842	6.081	6.073	6.204	—	.750	19
JV1371	2.906	2.900	3.000	3.125	.562	#	JV1850	8.125	8.117	8.250	—	1.470	19
JV1373	2.636	2.630	2.722	—	.500	1	JX1867	4.687	4.680	4.812	—	1.240	19
JV1378	—	7.500	7.881	8.562	.781	#	J1869	6.375	6.368	6.500	—	.875	19
J1380	4.090	4.083	—	5.125	.235	#	JV1869	6.375	6.368	6.500	—	.875	19
JX1386	4.646	4.639	4.742	—	.625	19	JV1872	1.062	1.057	1.187	1.437	.640	10
J1396	2.000	1.995	2.125	—	.750	19	JV1873	1.250	1.245	1.375	1.562	.750	10
J1397	1.625	1.620	1.750	—	.750	19	JV1874	3.625	3.619	3.750	4.000	.875	10
J1401	3.125	3.119	3.250	—	.750	19	JV1875	3.250	3.244	3.375	3.625	.750	10
JX1401	3.125	3.119	3.250	—	.750	19	J1876	2.475	2.470	2.625	—	1.125	19
JV1403	1.875	1.870	2.000	—	.625	19	J1880	4.502	4.496	4.627	—	1.000	19
J1405	4.465	4.459	4.575	5.125	.230	14	J1895	6.080	6.073	6.204	—	.600	19
JV1409	1.343	1.338	1.500	—	.625	19	JV1897	—	3.750	3.942	4.250	.500	#

For Illustration and Material Data See Technical Section
 # Designed For A Specific Application - Not Recommended For General Use

Numerical Section—Wear Sleeves

NATIONAL®



Part No.	Shaft	I.D.	Eff. Shaft Dia.	Flanged O.D.	Width	Type/ Illus.	Part No.	Shaft	I.D.	Eff. Shaft Dia.	Flanged O.D.	Width	Type/ Illus.
JX1920	2.382	2.377	2.491	—	.937	19							
J1929	4.500	4.493	4.625	—	.625	19							
JV1931	—	—	2.515	2.855	.510	#							
JV1935	4.474	4.468	4.604	—	.530	19							
JV1936	3.668	3.662	3.798	—	.530	#							
JV1944	5.400	5.393	5.442	—	.760	1							
* JX1967	4.840	4.834	5.000	—	.750	19							
JV1976	—	4.000	4.630	—	.700	1							
JV1977	—	4.500	5.130	—	.700	1							
JV1978	5.625	5.618	5.754	—	1.250	19							
J1984	9.058	9.048	9.173	—	1.000	19							
JX1990	2.375	2.370	2.500	—	1.000	19							
JV1999	4.875	4.868	5.000	—	1.250	19							
JV2019	2.126	2.121	2.200	2.953	.302	#							
J2037	5.187	5.180	5.312	—	.750	19							
JV2038	4.875	4.868	5.000	—	1.000	19							
JX2045	4.212	4.207	4.325	—	.984	19							
J2053	6.079	6.073	6.204	—	.866	19							
JV2088	5.991	5.986	6.100	—	.455	#							
JX2162	4.834	4.829	4.994	—	.710	#							
JF2280	5.187	5.179	5.312	—	1.380	19							
JF2282	4.687	4.679	4.812	—	1.240	19							
* JG2345	6.500	6.492	6.625	—	.875	19							
* JG2361	6.500	6.492	6.625	—	.750	19							
* JL2361	6.500	6.492	6.625	—	.625	19							
JL2370	5.000	—	5.125	—	.717	19							

For Illustration and Material Data See Technical Section

Designed For A Specific Application - Not Recommended For General Use * Call 1-800-480-1212 For Price and Delivery

Part No.	Shaft Range		Width on Shaft	Overall Width	Flanged O.D.	Installation Depth
	Minimum.	Maximum.				
88176	1.761	1.767	.563	.688	2.063	.813
88179	1.778	1.784	.675	.800	2.125	1.000
88186	1.866	1.872	.889	1.025	2.187	1.000
88187	1.872	1.878	.563	.688	2.203	1.000
88199	1.997	2.003	.563	.688	2.406	1.000
88218	2.186	2.192	.781	.938	2.500	1.313
88225	2.249	2.255	.781	.938	2.531	1.313
88233	2.327	2.333	.750	.875	2.750	1.610
99049	.469	.475	.236	.331	.787	.472
99050	.498	.502	.250	.344	.610	2.008
99056	.560	.566	.250	.391	.750	1.831
99058	.626	.630	.313	.438	.718	2.000
99059	.589	.593	.197	.354	.750	.425
99060	.682	.686	.313	.438	.900	2.000
99062	.623	.627	.313	.406	.813	2.000
99068	.667	.671	.315	.433	1.063	2.008
99075	.748	.752	.375	.500	.900	2.000
99076	.748	.752	.313	.438	.938	2.000
99078	.785	.789	.313	.433	.999	2.000
99080	.780	.784	.313	.438	.935	2.000
99081	.759	.761	.313	.438	.938	2.000
99082	.704	.709	.315	.433	1.063	1.811
99085	.861	.866	.315	.472	1.058	1.813
99086	.857	.861	.250	.375	1.155	2.000
99087	.873	.877	.313	.438	1.093	2.000
99091	.908	.912	.313	.438	1.218	1.847
99094	.966	.970	.313	.438	1.130	2.000
99096	.966	.970	.625	.719	1.130	2.000
99098	.982	.986	.313	.433	1.378	2.000
99101	.998	1.002	.313	.438	1.219	2.000
99103	1.019	1.024	.313	.472	1.312	1.813
99106	1.060	1.064	.313	.438	1.320	2.812
99108	1.087	1.091	.313	.438	1.406	.625
99111	1.100	1.104	.375	.500	1.375	2.813
99112	1.123	1.127	.313	.438	1.575	.688
99114	1.179	1.184	.315	.433	1.400	.688
99118	1.185	1.190	.313	.438	1.400	.875
99120	1.154	1.158	.375	.500	1.350	.688
99122	1.173	1.178	.313	.438	1.575	.688
99123	1.216	1.222	.315	.438	1.575	.688
99125	1.247	1.253	.313	.438	1.500	.688
99128	1.257	1.263	.315	.437	1.496	.709
99129	1.308	1.314	.250	.375	1.600	.813
99131	1.310	1.316	.500	.625	1.594	.813
99133	1.371	1.377	.313	.438	1.638	.813
99134	1.336	1.342	.500	.625	1.638	.813
99138	1.371	1.377	.500	.625	1.638	.813
99139	1.375	1.381	.512	.630	1.638	.812
99141	1.237	1.243	.315	.438	1.540	.688
99143	1.432	1.438	.563	.688	1.781	1.000
99144	1.435	1.441	.375	.500	1.781	1.016
99145	1.453	1.460	.375	.500	1.781	.812
99146	1.412	1.417	.518	.669	1.689	.984
99147	1.490	1.496	.512	.669	1.780	.984
99149	1.497	1.503	.563	.688	1.781	1.000
99150	1.497	1.503	.375	.500	1.781	1.016
99152	1.520	1.526	.438	.563	1.859	1.016
99155	1.549	1.555	.438	.563	1.859	1.000
99156	1.559	1.565	.563	.688	1.859	1.000
99157	1.572	1.578	.512	.630	1.850	1.023
99160	1.602	1.608	.500	.641	1.938	1.000
99161	1.622	1.628	.313	.438	1.875	1.016
99162	1.623	1.628	.563	.688	1.875	.813
99166	1.647	1.654	.445	.571	2.087	.827
99167	1.685	1.691	.313	.438	1.906	.875
99168	1.684	1.690	.563	.688	1.906	.875
99169	1.647	1.654	.563	.688	2.087	.827
99170	1.736	1.742	.375	.500	2.063	.813
99171	1.715	1.721	.563	.688	2.031	.813
99172	1.747	1.753	.375	.500	2.055	.813

NUMERICAL SECTION

Numerical Section—Redi-Sleeves

NATIONAL®



Part No.	Shaft Range		Width on Shaft	Overall Width	Flanged O.D.	Installation Depth
	Minimum.	Maximum.				
99174	1.747	1.753	.563	.688	2.063	.813
99175	1.747	1.753	.750	.875	2.063	.813
99176	1.761	1.767	.563	.688	2.063	.813
99177	1.769	1.775	.551	.669	2.087	.812
99179	1.778	1.784	.675	.800	2.125	1.062
99180	1.747	1.753	.531	.625	2.063	.875
99181	1.809	1.815	.563	.688	2.156	1.000
99184	1.872	1.878	.375	.516	2.203	1.050
99185	1.857	1.863	.563	.688	2.156	1.000
99186	1.866	1.872	.889	1.025	2.187	1.000
99187	1.872	1.878	.563	.688	2.203	1.000
99188	1.872	1.878	.295	.415	2.203	.744
99189	1.887	1.893	.551	.668	2.205	.984
99190	1.872	1.878	.175	.295	2.203	.744
99192	1.909	1.915	.375	.500	2.219	1.000
99193	1.934	1.940	.563	.688	2.219	1.000
99196	1.965	1.971	.551	.688	2.244	.984
99198	1.977	1.983	.563	.704	2.313	1.050
99199	1.997	2.003	.563	.688	2.406	1.000
99200	1.997	2.003	.875	1.000	2.406	1.000
99204	2.041	2.047	.500	.625	2.469	1.000
99205	2.057	2.063	.781	.938	2.469	1.375
99210	2.123	2.128	.500	.750	2.422	1.281
99212	2.124	2.130	.781	.938	2.422	1.375
99215	2.162	2.168	.787	.905	2.441	1.250
99218	2.186	2.192	.781	.938	2.500	1.313
99220	2.197	2.205	.500	.625	2.500	1.250
99225	2.249	2.255	.781	.938	2.531	1.313
99226	2.237	2.243	.764	.900	2.562	1.250
99227	2.249	2.255	.313	.438	2.531	1.313
99229	2.227	2.233	.500	.625	2.531	1.313
99230	2.227	2.233	.781	.906	2.531	1.250
99231	2.309	2.315	.781	.938	2.688	1.600
99233	2.327	2.333	.750	.875	2.750	1.610
99235	2.359	2.365	.787	.905	2.785	1.375
99236	2.369	2.375	.781	.938	2.750	1.375
99237	2.374	2.380	.781	.938	2.734	1.375
99238	2.372	2.378	.594	.750	2.750	1.375
99240	2.374	2.380	.526	.683	2.750	1.375
99241	2.359	2.365	.370	.449	2.783	1.472
99242	2.435	2.441	.500	.626	2.827	1.417
99243	2.434	2.440	.781	.938	2.828	1.375
99248	2.500	2.506	.500	.656	2.828	1.375
99249	2.489	2.495	.781	.938	2.875	1.393
99250	2.500	2.506	.781	.938	2.828	1.375
99251	2.510	2.516	.781	.906	2.828	1.438
99253	2.497	2.503	.555	.650	2.820	.890
99254	2.556	2.562	.787	.905	2.850	1.378
99256	2.560	2.566	.781	.938	2.891	1.375
99259	2.595	2.602	.781	.938	2.990	1.250
99260	2.622	2.628	.500	.625	3.047	1.375
99261	2.618	2.624	.781	.938	3.047	1.375
99262	2.625	2.631	.781	.938	3.047	1.375
99264	2.621	2.627	.781	.906	3.047	1.375
99267	2.747	2.753	1.438	1.625	3.075	1.625
99268	2.727	2.733	.781	.906	3.125	1.313
99269	2.750	2.756	1.125	1.250	3.125	1.250
99270	2.747	2.753	.781	.906	3.125	1.250
99272	2.750	2.756	.406	.563	3.125	1.250
99273	2.740	2.746	.781	.938	3.065	1.250
99274	2.745	2.751	.781	.938	3.125	1.250
99275	2.750	2.756	.781	.938	3.125	1.250
99276	2.753	2.759	.787	.945	3.125	1.250
99281	2.809	2.815	.594	.688	3.188	1.250
99282	2.838	2.844	.500	.656	3.225	1.250
99286	2.866	2.872	.781	.938	3.188	1.250
99287	2.873	2.879	.781	.938	3.219	1.250
99289	2.950	2.956	.594	.689	3.272	1.102
99290	2.937	2.943	.500	.641	3.344	1.331
99291	2.990	2.996	.484	.625	3.359	1.331

Part No.	Shaft Range		Width on Shaft	Overall Width	Flanged O.D.	Installation Depth
	Minimum.	Maximum.				
99292	2.972	2.976	.813	—	—	—
99293	2.937	2.943	.781	.938	3.344	1.250
99294	2.950	2.956	.866	1.024	3.305	1.312
99296	2.997	3.003	.813	.938	3.240	1.375
99298	2.990	2.996	.563	.688	3.359	1.375
99299	2.990	2.996	.813	1.000	3.359	1.250
99300	3.000	3.006	.813	1.000	3.453	1.250
99301	3.008	3.014	.500	.625	3.355	2.000
99303	3.000	3.006	.625	.813	3.345	1.063
99307	3.124	3.132	.551	.709	3.525	2.031
99311	3.120	3.126	.688	.813	3.531	2.000
99312	3.120	3.126	.813	1.000	3.531	2.000
99313	3.142	3.150	.750	.886	3.540	1.375
99315	3.146	3.153	.827	.945	3.543	1.375
99317	3.146	3.153	.433	.590	3.543	1.378
99322	3.247	3.253	.813	1.000	3.594	1.375
99323	3.248	3.254	.600	.725	3.585	1.375
99324	3.250	3.256	.595	.719	3.594	1.375
99325	3.250	3.256	.813	1.000	3.594	1.375
99326	3.250	3.256	.688	.875	3.585	1.250
99328	3.225	3.231	.661	.850	3.587	1.732
99331	3.307	3.313	.813	1.000	3.688	1.375
99333	3.337	3.346	.827	.984	3.700	1.378
99334	3.338	3.346	.827	.984	3.697	1.433
99337	3.373	3.379	.813	1.000	3.688	1.375
99338	3.373	3.379	.375	.500	3.688	1.410
99339	3.435	3.441	.781	.906	3.844	1.406
99340	3.477	3.483	.781	.906	3.835	1.406
99347	3.500	3.506	.315	.500	3.827	1.339
99349	3.501	3.507	.626	.811	3.842	1.339
99350	3.500	3.506	.813	1.000	3.844	1.375
99351	3.540	3.546	.710	.906	4.000	1.813
99353	3.540	3.546	.528	.665	4.000	1.732
99354	3.540	3.546	.906	1.102	4.000	1.750
99356	3.560	3.566	.813	1.000	3.900	1.750
99359	3.685	3.691	.813	.938	4.025	1.750
99360	3.618	3.624	.811	1.000	4.031	1.732
99362	3.623	3.629	.813	1.000	4.031	1.750
99363	3.623	3.629	.500	.625	4.025	1.750
99364	3.740	3.746	.469	.594	4.035	1.750
99365	3.685	3.691	.813	.938	4.025	1.750
99367	3.750	3.756	.344	.500	4.031	1.750
99368	3.684	3.690	.313	.438	3.830	.875
99369	3.737	3.743	.827	.945	4.025	1.750
99372	3.750	3.756	.688	.875	4.031	1.875
99374	3.740	3.746	.344	.500	4.031	1.750
99376	3.746	3.752	.563	.688	4.025	1.750
99387	3.873	3.879	.813	1.000	4.219	1.875
99393	3.935	3.941	.813	1.000	4.313	1.340
99395	3.998	4.006	.600	.725	—	2.050
99399	3.998	4.006	.813	1.000	4.375	1.250
99400	3.998	4.006	.650	.775	4.375	1.375
99401	3.998	4.006	.500	.625	4.375	2.066
99412	4.122	4.130	.813	1.000	4.420	1.375
99413	4.130	4.138	.787	.906	4.470	1.378
99418	4.183	4.191	.813	1.000	4.500	1.375
99423	4.226	4.234	.781	.906	4.610	1.438
99424	4.248	4.256	.813	1.000	4.813	1.375
99435	4.327	4.335	.509	.650	4.921	1.250
99437	4.370	4.378	.813	1.000	4.750	1.650
99439	4.434	4.442	1.000	1.142	4.813	1.313
99450	4.496	4.504	.813	1.000	5.000	1.375
99452	4.523	4.531	.813	.938	5.000	1.250
99463	4.621	4.629	1.000	1.250	5.063	1.375
99465	4.621	4.629	.438	.625	5.000	1.375
99468	4.685	4.693	.812	1.000	5.062	1.375
99472	4.801	4.807	.787	.945	5.177	1.260
99473	4.720	4.728	.787	.984	5.110	1.260
99475	4.746	4.754	.500	.750	5.250	1.500
99487	4.871	4.879	.625	.752	5.252	1.457

NUMERICAL SECTION

Numerical Section—Redi-Sleeves

NATIONAL®



Part No.	Shaft Range		Width on Shaft	Overall Width	Flanged O.D.	Installation Depth
	Minimum.	Maximum.				
99490	4.917	4.925	.394	.551	5.402	1.457
99491	5.117	5.125	.866	.996	5.492	1.299
99492	4.917	4.925	1.024	1.260	5.400	1.438
99494	5.110	5.118	.750	.938	5.493	1.181
99498	4.998	5.006	.688	.875	5.400	1.438
99499	4.998	5.006	.813	1.000	5.406	1.500
99525	5.246	5.254	.813	1.000	5.560	1.250
99537	5.371	5.379	.813	1.000	5.875	1.250
99549	5.498	5.506	.812	1.000	5.938	1.250
99552	5.508	5.516	.807	1.000	5.945	1.250
99575	5.746	5.754	.813	1.000	6.180	1.750
99587	5.871	5.879	1.000	1.250	6.188	1.313
99595	5.895	5.905	1.024	1.181	6.260	1.338
99596	5.934	5.942	1.000	1.125	6.375	1.875
99599	5.995	6.003	1.000	1.250	6.375	1.750
99601	5.995	6.003	.500	.750	6.360	1.750
99606	6.092	6.102	1.024	1.181	6.500	1.299
99625	6.245	6.255	1.031	1.250	6.625	1.750
99630	6.289	6.299	1.000	1.250	7.000	1.800
99640	6.683	6.693	1.250	1.496	7.188	1.750
99650	6.495	6.505	1.000	1.250	7.000	1.750
99675	6.745	6.755	.813	1.063	7.125	1.750
99700	6.995	7.005	1.000	1.250	7.500	1.750
99721	7.077	7.087	1.300	1.496	7.500	1.752
99725	7.244	7.254	1.250	1.500	7.760	2.175
99750	7.495	7.505	.813	1.000	7.875	1.250
99775	7.745	7.755	1.000	1.313	8.270	1.875
99787	7.869	7.879	1.359	1.500	8.375	1.750
99799	7.933	7.943	1.000	1.250	8.375	1.750
99800	7.995	8.005	1.000	1.250	8.375	1.750

National Part No.	Mat'l Code	Style	Shaft Size Metric (d1)	Shaft Size Inch Min. (d1)	Shaft Size Inch Max. (d1)	Width On Shaft (A)	Overall Width (B)	Height (c)	Fitted Width (B1)	Width Tolerance (+/-)
800030	S	VRS1	3	0.11	0.14	0.08	0.12	0.06	0.10	0.012
800034	V	VRS1	3	0.11	0.14	0.08	0.12	0.06	0.10	0.012
800040	S	VRS1	4	0.14	0.18	0.09	0.15	0.08	0.12	0.016
800044	V	VRS1	4	0.14	0.18	0.09	0.15	0.08	0.12	0.016
800050	S	VRS1	5	0.18	0.21	0.09	0.15	0.08	0.12	0.016
800051	S	VRS2	5	0.18	0.21	0.15	0.21	0.08	0.18	0.016
800054	V	VRS1	5	0.18	0.21	0.09	0.15	0.08	0.12	0.016
800055	V	VRS2	5	0.18	0.21	0.15	0.21	0.08	0.18	0.016
800060	S	VRS1	6	0.21	0.26	0.09	0.15	0.08	0.12	0.016
800061	S	VRS2	6	0.21	0.26	0.15	0.21	0.08	0.18	0.016
800064	V	VRS1	6	0.21	0.26	0.09	0.15	0.08	0.12	0.016
800065	V	VRS2	6	0.21	0.26	0.15	0.21	0.08	0.18	0.016
800070	S	VRS1	7	0.26	0.31	0.09	0.15	0.08	0.12	0.016
800071	S	VRS2	7	0.26	0.31	0.15	0.21	0.08	0.18	0.016
800074	V	VRS1	7	0.26	0.31	0.09	0.15	0.08	0.12	0.016
800075	V	VRS2	7	0.26	0.31	0.15	0.21	0.08	0.18	0.016
800080	S	VRS1	8	0.31	0.37	0.09	0.15	0.08	0.12	0.016
800081	S	VRS2	8	0.31	0.37	0.15	0.21	0.08	0.18	0.016
800084	V	VRS1	8	0.31	0.37	0.09	0.15	0.08	0.12	0.016
800085	V	VRS2	8	0.31	0.37	0.15	0.21	0.08	0.18	0.016
800100	S	VRS1	10	0.37	0.45	0.13	0.22	0.12	0.18	0.020
800101	S	VRS2	10	0.37	0.45	0.22	0.30	0.12	0.26	0.020
800104	V	VRS1	10	0.37	0.45	0.13	0.22	0.12	0.18	0.020
800105	V	VRS2	10	0.37	0.45	0.22	0.30	0.12	0.26	0.020
800120	S	VRS1	12	0.45	0.49	0.13	0.22	0.12	0.18	0.020
800121	S	VRS2	12	0.45	0.49	0.22	0.30	0.12	0.26	0.020
800124	V	VRS1	12	0.45	0.49	0.13	0.22	0.12	0.18	0.020
800125	V	VRS2	12	0.45	0.49	0.22	0.30	0.12	0.26	0.020
800130	S	VRS1	13	0.49	0.53	0.13	0.22	0.12	0.18	0.020
800134	V	VRS1	13	0.49	0.53	0.13	0.22	0.12	0.18	0.020
800140	S	VRS1	14	0.53	0.61	0.13	0.22	0.12	0.18	0.020
800141	S	VRS2	14	0.53	0.61	0.22	0.30	0.12	0.26	0.020
800144	V	VRS1	14	0.53	0.61	0.13	0.22	0.12	0.18	0.020
800145	V	VRS2	14	0.53	0.61	0.22	0.30	0.12	0.26	0.020
800160	S	VRS1	16	0.61	0.69	0.13	0.22	0.12	0.18	0.020
800161	S	VRS2	16	0.61	0.69	0.22	0.30	0.12	0.26	0.020
800164	V	VRS1	16	0.61	0.69	0.13	0.22	0.12	0.18	0.020
800165	V	VRS2	16	0.61	0.69	0.22	0.30	0.12	0.26	0.020
800180	S	VRS1	18	0.69	0.75	0.13	0.22	0.12	0.18	0.020
800181	S	VRS2	18	0.69	0.75	0.22	0.30	0.12	0.26	0.020
800184	V	VRS1	18	0.69	0.75	0.13	0.22	0.12	0.18	0.020
800185	V	VRS2	18	0.69	0.75	0.22	0.30	0.12	0.26	0.020
800200	S	VRS1	20	0.75	0.83	0.18	0.30	0.16	0.24	0.030
800201	S	VRS2	20	0.75	0.83	0.31	0.41	0.16	0.35	0.030
800204	V	VRS1	20	0.75	0.83	0.18	0.30	0.16	0.24	0.030
800205	V	VRS2	20	0.75	0.83	0.31	0.41	0.16	0.35	0.030
800220	S	VRS1	22	0.83	0.95	0.18	0.30	0.16	0.24	0.030
800221	S	VRS2	22	0.83	0.95	0.31	0.41	0.16	0.35	0.030
800224	V	VRS1	22	0.83	0.95	0.18	0.30	0.16	0.24	0.030
800225	V	VRS2	22	0.83	0.95	0.31	0.41	0.16	0.35	0.030
800250	S	VRS1	25	0.95	1.07	0.18	0.30	0.16	0.24	0.030
800251	S	VRS2	25	0.95	1.07	0.31	0.41	0.16	0.35	0.030
800254	V	VRS1	25	0.95	1.07	0.18	0.30	0.16	0.24	0.030
800255	V	VRS2	25	0.95	1.07	0.31	0.41	0.16	0.35	0.030
800280	S	VRS1	28	1.07	1.14	0.18	0.30	0.16	0.24	0.030
800281	S	VRS2	28	1.07	1.14	0.31	0.41	0.16	0.35	0.030
800284	V	VRS1	28	1.07	1.14	0.18	0.30	0.16	0.24	0.030
800285	V	VRS2	28	1.07	1.14	0.31	0.41	0.16	0.35	0.030
800300	S	VRS1	30	1.14	1.22	0.18	0.30	0.16	0.24	0.030
800301	S	VRS2	30	1.14	1.22	0.31	0.41	0.16	0.35	0.030
800304	V	VRS1	30	1.14	1.22	0.18	0.30	0.16	0.24	0.030
800305	V	VRS2	30	1.14	1.22	0.31	0.41	0.16	0.35	0.030
800320	S	VRS1	32	1.22	1.30	0.18	0.30	0.16	0.24	0.030
800321	S	VRS2	32	1.22	1.30	0.31	0.41	0.16	0.35	0.030
800324	V	VRS1	32	1.22	1.30	0.18	0.30	0.16	0.24	0.030
800325	V	VRS2	32	1.22	1.30	0.31	0.41	0.16	0.35	0.030
800350	S	VRS1	35	1.30	1.42	0.18	0.30	0.16	0.24	0.030
800351	S	VRS2	35	1.30	1.42	0.31	0.41	0.16	0.35	0.030
800354	V	VRS1	35	1.30	1.42	0.18	0.30	0.16	0.24	0.030
800355	V	VRS2	36	1.30	1.42	0.31	0.41	0.16	0.35	0.030
800380	S	VRS1	38	1.42	1.50	0.18	0.30	0.16	0.24	0.030
800381	S	VRS2	38	1.42	1.50	0.31	0.41	0.16	0.35	0.030
800384	V	VRS1	38	1.42	1.50	0.18	0.30	0.16	0.24	0.030
800385	V	VRS2	38	1.42	1.50	0.31	0.41	0.16	0.35	0.030
800400	S	VRS1	40	1.50	1.70	0.21	0.35	0.20	0.28	0.040
800401	S	VRS2	40	1.50	1.70	0.37	0.51	0.20	0.43	0.040

NUMERICAL SECTION

Select the larger V-Seal when the dimension d1 is on the boundary between two sizes. All dimensions in inches unless noted.

V-Seals

NATIONAL®



National Part No.	Mat'l Code	Style	Shaft Size Metric (d1)	Shaft Size Inch Min. (d1)	Shaft Size Inch Max. (d1)	Width On Shaft (A)	Overall Width (B)	Height (c)	Fitted Width (B1)	Width Tolerance (+/-)
800404	V	VRS1	40	1.50	1.70	0.21	0.35	0.20	0.28	0.040
800405	V	VRS2	40	1.50	1.70	0.37	0.51	0.20	0.43	0.040
800450	S	VRS1	45	1.70	1.89	0.21	0.35	0.20	0.28	0.040
800451	S	VRS2	45	1.70	1.89	0.37	0.51	0.20	0.43	0.040
800454	V	VRS1	45	1.70	1.89	0.21	0.35	0.20	0.28	0.040
800455	V	VRS2	45	1.70	1.89	0.37	0.51	0.20	0.43	0.040
800500	S	VRS1	50	1.89	2.09	0.21	0.35	0.20	0.28	0.040
800501	S	VRS2	50	1.89	2.09	0.37	0.51	0.20	0.43	0.040
800504	V	VRS1	50	1.89	2.09	0.21	0.35	0.20	0.28	0.040
800505	V	VRS2	50	1.89	2.09	0.37	0.51	0.20	0.43	0.040
800550	S	VRS1	55	2.09	2.29	0.21	0.35	0.20	0.28	0.040
800551	S	VRS2	55	2.09	2.29	0.37	0.51	0.20	0.43	0.040
800554	V	VRS1	55	2.09	2.29	0.21	0.35	0.20	0.28	0.040
800555	V	VRS2	55	2.09	2.29	0.37	0.51	0.20	0.43	0.040
800600	S	VRS1	60	2.29	2.48	0.21	0.35	0.20	0.28	0.040
800601	S	VRS2	60	2.29	2.48	0.37	0.51	0.20	0.43	0.040
800604	V	VRS1	60	2.29	2.48	0.21	0.35	0.20	0.28	0.040
800605	V	VRS2	60	2.29	2.48	0.37	0.51	0.20	0.43	0.040
800650	S	VRS1	65	2.48	2.68	0.21	0.35	0.20	0.28	0.040
800651	S	VRS2	65	2.48	2.68	0.37	0.51	0.20	0.43	0.040
800654	V	VRS1	65	2.48	2.68	0.21	0.35	0.20	0.28	0.040
800655	V	VRS2	65	2.48	2.68	0.37	0.51	0.20	0.43	0.040
800700	S	VRS1	70	2.68	2.88	0.26	0.43	0.24	0.35	0.050
800701	S	VRS2	70	2.68	2.88	0.44	0.61	0.24	0.53	0.050
800704	V	VRS1	70	2.68	2.88	0.26	0.43	0.24	0.35	0.050
800705	V	VRS2	70	2.68	2.88	0.44	0.61	0.24	0.53	0.050
800750	S	VRS1	75	2.88	3.07	0.26	0.43	0.24	0.35	0.050
800751	S	VRS2	75	2.88	3.07	0.44	0.61	0.24	0.53	0.050
800754	V	VRS1	75	2.88	3.07	0.26	0.43	0.24	0.35	0.050
800755	V	VRS2	75	2.88	3.07	0.44	0.61	0.24	0.53	0.050
800800	S	VRS1	80	3.07	3.27	0.26	0.43	0.24	0.35	0.050
800801	S	VRS2	80	3.07	3.27	0.44	0.61	0.24	0.53	0.050
800804	V	VRS1	80	3.07	3.27	0.26	0.43	0.24	0.35	0.050
800805	V	VRS2	80	3.07	3.27	0.44	0.61	0.24	0.53	0.050
800850	S	VRS1	85	3.27	3.47	0.26	0.43	0.24	0.35	0.050
800851	S	VRS2	85	3.27	3.47	0.44	0.61	0.24	0.53	0.050
800854	V	VRS1	85	3.27	3.47	0.26	0.43	0.24	0.35	0.050
800855	V	VRS2	85	3.27	3.47	0.44	0.61	0.24	0.53	0.050
800900	S	VRS1	90	3.47	3.66	0.26	0.43	0.24	0.35	0.050
800901	S	VRS2	90	3.47	3.66	0.44	0.61	0.24	0.53	0.050
800904	V	VRS1	90	3.47	3.66	0.26	0.43	0.24	0.35	0.050
800905	V	VRS2	90	3.47	3.66	0.44	0.61	0.24	0.53	0.050
800950	S	VRS1	95	3.66	3.86	0.26	0.43	0.24	0.35	0.050
800951	S	VRS2	95	3.66	3.86	0.44	0.61	0.24	0.53	0.050
800954	V	VRS1	95	3.66	3.86	0.26	0.43	0.24	0.35	0.050
800955	V	VRS2	95	3.66	3.86	0.44	0.61	0.24	0.53	0.050
801000	S	VRS1	100	3.86	4.14	0.26	0.43	0.24	0.35	0.050
801001	S	VRS2	100	3.86	4.14	0.44	0.61	0.24	0.53	0.050
801004	V	VRS1	100	3.86	4.14	0.26	0.43	0.24	0.35	0.050
801005	V	VRS2	100	3.86	4.14	0.44	0.61	0.24	0.53	0.050
801100	S	VRS1	110	4.14	4.53	0.31	0.50	0.28	0.41	0.060
801101	S	VRS2	110	4.14	4.53	0.52	0.71	0.28	0.61	0.060
801104	V	VRS1	110	4.14	4.53	0.31	0.50	0.28	0.41	0.060
801105	V	VRS2	110	4.14	4.53	0.52	0.71	0.28	0.61	0.060
801200	S	VRS1	120	4.53	4.92	0.31	0.50	0.28	0.41	0.060
801201	S	VRS2	120	4.53	4.92	0.52	0.71	0.28	0.61	0.060
801204	V	VRS1	120	4.53	4.92	0.31	0.50	0.28	0.41	0.060
801205	V	VRS2	120	4.53	4.92	0.52	0.71	0.28	0.61	0.060
801300	S	VRS1	130	4.92	5.32	0.31	0.50	0.28	0.41	0.060
801301	S	VRS2	130	4.92	5.32	0.52	0.71	0.28	0.61	0.060
801304	V	VRS1	130	4.92	5.32	0.31	0.50	0.28	0.41	0.060
801305	V	VRS2	130	4.92	5.32	0.52	0.71	0.28	0.61	0.060
801400	S	VRS1	140	5.32	5.71	0.31	0.50	0.28	0.41	0.060
801401	S	VRS2	140	5.32	5.71	0.52	0.71	0.28	0.61	0.060
801402	S	VRS3	140	5.32	5.71	0.24	0.41	0.26	0.31	0.060
801404	V	VRS1	140	5.32	5.71	0.31	0.50	0.28	0.41	0.060
801405	V	VRS2	140	5.32	5.71	0.52	0.71	0.28	0.61	0.060
801406	V	VRS3	140	5.32	5.71	0.24	0.41	0.26	0.31	0.060
801500	S	VRS1	150	5.71	6.10	0.31	0.50	0.28	0.41	0.060
801501	S	VRS2	150	5.71	6.10	0.52	0.71	0.28	0.61	0.060
801502	S	VRS3	150	5.71	6.10	0.24	0.41	0.26	0.31	0.060
801504	V	VRS1	150	5.71	6.10	0.31	0.50	0.28	0.41	0.060
801505	V	VRS2	150	5.71	6.10	0.52	0.71	0.28	0.61	0.060
801506	V	VRS3	150	5.71	6.10	0.24	0.41	0.26	0.31	0.060
801600	S	VRS1	160	6.10	6.50	0.35	0.57	0.32	0.47	0.070
801601	S	VRS2	160	6.10	6.50	0.59	0.81	0.32	0.71	0.070

Select the larger V-Seal when the dimension d1 is on the boundary between two sizes. All dimensions in inches unless noted.

National Part No.	Mat'l Code	Style	Shaft Size Metric (d1)	Shaft Size Inch Min. (d1)	Shaft Size Inch Max. (d1)	Width On Shaft (A)	Overall Width (B)	Height (c)	Fitted Width (B1)	Width Tolerance (+/-)
801602	S	VRS3	160	6.10	6.50	0.24	0.41	0.26	0.31	0.060
801604	V	VRS1	160	6.10	6.50	0.35	0.57	0.32	0.47	0.070
801605	V	VRS2	160	6.10	6.50	0.59	0.81	0.32	0.71	0.070
801606	V	VRS3	160	6.10	6.50	0.24	0.41	0.26	0.31	0.060
801700	S	VRS1	170	6.50	6.89	0.35	0.57	0.32	0.47	0.070
801701	S	VRS2	170	6.50	6.89	0.59	0.81	0.32	0.71	0.070
801702	S	VRS3	170	6.50	6.89	0.24	0.41	0.26	0.31	0.060
801704	V	VRS1	170	6.50	6.89	0.35	0.57	0.32	0.47	0.070
801705	V	VRS2	170	6.50	6.89	0.59	0.81	0.32	0.71	0.070
801706	V	VRS3	170	6.50	6.89	0.24	0.41	0.26	0.31	0.060
801800	S	VRS1	180	6.89	7.29	0.35	0.57	0.32	0.47	0.070
801801	S	VRS2	180	6.89	7.29	0.59	0.81	0.32	0.71	0.070
801802	S	VRS3	180	6.89	7.29	0.24	0.41	0.26	0.31	0.060
801804	V	VRS1	180	6.89	7.29	0.35	0.57	0.32	0.47	0.070
801805	V	VRS2	180	6.89	7.29	0.59	0.81	0.32	0.71	0.070
801806	V	VRS3	180	6.89	7.29	0.24	0.41	0.26	0.31	0.060
801900	S	VRS1	190	7.29	7.68	0.35	0.57	0.32	0.47	0.070
801901	S	VRS2	190	7.29	7.68	0.59	0.81	0.32	0.71	0.070
801902	S	VRS3	190	7.29	7.68	0.24	0.41	0.26	0.31	0.060
801904	V	VRS1	190	7.29	7.68	0.35	0.57	0.32	0.47	0.070
801905	V	VRS2	190	7.29	7.68	0.59	0.81	0.32	0.71	0.070
801906	V	VRS3	190	7.29	7.68	0.24	0.41	0.26	0.31	0.060
801990	S	VRS1	199	7.68	8.27	0.35	0.57	0.32	0.47	0.070
801991	S	VRS2	199	7.68	8.27	0.59	0.81	0.32	0.71	0.070
801994	V	VRS1	199	7.68	8.27	0.35	0.57	0.32	0.47	0.070
801995	V	VRS2	199	7.68	8.27	0.59	0.81	0.32	0.71	0.070
802000	S	VRS1	200	7.48	8.27	0.56	0.98	0.59	0.79	0.160
802002	S	VRS3	200	7.48	8.27	0.24	0.41	0.26	0.31	0.060
802004	V	VRS1	200	7.48	8.27	0.56	0.98	0.59	0.79	0.160
802006	V	VRS3	200	7.48	8.27	0.24	0.41	0.26	0.31	0.060
802200	S	VRS1	220	8.27	9.25	0.56	0.98	0.59	0.79	0.160
802202	S	VRS3	220	8.27	9.25	0.24	0.41	0.26	0.31	0.060
802204	V	VRS1	220	8.27	9.25	0.56	0.98	0.59	0.79	0.160
802206	V	VRS3	220	8.27	9.25	0.24	0.41	0.26	0.31	0.060
802500	S	VRS1	250	9.25	10.43	0.56	0.98	0.59	0.79	0.160
802502	S	VRS3	250	9.25	10.43	0.24	0.41	0.26	0.31	0.060
802504	V	VRS1	250	9.25	10.43	0.56	0.98	0.59	0.79	0.160
802506	V	VRS3	250	9.25	10.43	0.24	0.41	0.26	0.31	0.060
802750	S	VRS1	275	10.43	11.42	0.56	0.98	0.59	0.79	0.160
802752	S	VRS3	275	10.43	11.42	0.24	0.41	0.26	0.31	0.060
802754	V	VRS1	275	10.43	11.42	0.56	0.98	0.59	0.79	0.160
802756	V	VRS3	275	10.43	11.42	0.24	0.41	0.26	0.31	0.060
803000	S	VRS1	300	11.42	12.20	0.56	0.98	0.59	0.79	0.160
803002	S	VRS3	300	11.42	12.20	0.24	0.41	0.26	0.31	0.060
803004	V	VRS1	300	11.42	12.20	0.56	0.98	0.59	0.79	0.160
803006	V	VRS3	300	11.42	12.20	0.24	0.41	0.26	0.31	0.060
803250	S	VRS1	325	12.20	13.19	0.56	0.98	0.59	0.79	0.160
803252	S	VRS3	325	12.20	13.19	0.24	0.41	0.26	0.31	0.060
803254	V	VRS1	325	12.20	13.19	0.56	0.98	0.59	0.79	0.160
803256	V	VRS3	325	12.20	13.19	0.24	0.41	0.26	0.31	0.060
803500	S	VRS1	350	13.19	14.37	0.56	0.98	0.59	0.79	0.160
803502	S	VRS3	350	13.19	14.37	0.24	0.41	0.26	0.31	0.060
803504	V	VRS1	350	13.19	14.37	0.56	0.98	0.59	0.79	0.160
803506	V	VRS3	350	13.19	14.37	0.24	0.41	0.26	0.31	0.060
803750	S	VRS1	375	14.37	15.35	0.56	0.98	0.59	0.79	0.160
803752	S	VRS3	375	14.37	15.35	0.24	0.41	0.26	0.31	0.060
803754	V	VRS1	375	14.37	15.35	0.56	0.98	0.59	0.79	0.160
803756	V	VRS3	375	14.37	15.35	0.24	0.41	0.26	0.31	0.060
804000	S	VRS1	400	15.35	16.93	0.56	0.98	0.59	0.79	0.160
804002	S	VRS3	400	15.35	16.93	0.24	0.41	0.26	0.31	0.060
804004	V	VRS1	400	15.35	16.93	0.56	0.98	0.59	0.79	0.160
804006	V	VRS3	400	15.35	16.93	0.24	0.41	0.26	0.31	0.060
804500	S	VRS1	450	16.93	18.90	0.56	0.98	0.59	0.79	0.160
804502	S	VRS3	450	16.93	18.90	0.24	0.41	0.26	0.31	0.060
804503	S	VRS4	450	17.72	17.91	0.56	0.98	0.59	0.79	0.160
804504	V	VRS1	450	16.93	18.90	0.56	0.98	0.59	0.79	0.160
804506	V	VRS3	450	16.93	18.90	0.24	0.41	0.26	0.31	0.060
805000	S	VRS1	500	18.90	20.87	0.56	0.98	0.59	0.79	0.160
805002	S	VRS3	500	18.90	20.87	0.24	0.41	0.26	0.31	0.060
805003	S	VRS4	500	19.69	19.88	0.56	0.98	0.59	0.79	0.160
805004	V	VRS1	500	18.90	20.87	0.56	0.98	0.59	0.79	0.160
805103	S	VRS4	510	20.08	20.28	0.56	0.98	0.59	0.79	0.160
805203	S	VRS4	520	20.47	20.67	0.56	0.98	0.59	0.79	0.160
805303	S	VRS4	530	20.87	21.06	0.56	0.98	0.59	0.79	0.160
805403	S	VRS4	540	21.26	21.46	0.56	0.98	0.59	0.79	0.160
805500	S	VRS1	550	20.87	22.83	0.56	0.98	0.59	0.79	0.160

NUMERICAL SECTION

Select the larger V-Seal when the dimension d1 is on the boundary between two sizes. All dimensions in inches unless noted.

V-Seals

NATIONAL®



National Part No.	Mat'l Code	Style	Shaft Size Metric (d1)	Shaft Size Inch Min. (d1)	Shaft Size Inch Max. (d1)	Width On Shaft (A)	Overall Width (B)	Height (c)	Fitted Width (B1)	Width Tolerance (+/-)
805502	S	VRS3	550	20.87	22.83	0.24	0.41	0.26	0.31	0.060
805503	S	VRS4	550	21.65	21.85	0.56	0.98	0.59	0.79	0.160
805504	V	VRS1	550	20.87	22.83	0.56	0.98	0.59	0.79	0.160
805603	S	VRS4	560	22.05	22.24	0.56	0.98	0.59	0.79	0.160
805703	S	VRS4	570	22.44	22.64	0.56	0.98	0.59	0.79	0.160
805803	S	VRS4	580	22.84	23.03	0.56	0.98	0.59	0.79	0.160
805903	S	VRS4	590	23.23	23.62	0.56	0.98	0.59	0.79	0.160
806000	S	VRS1	600	22.83	24.80	0.56	0.98	0.59	0.79	0.160
806002	S	VRS3	600	22.83	24.80	0.24	0.41	0.26	0.31	0.060
806003	S	VRS4	600	23.62	24.02	0.56	0.98	0.59	0.79	0.160
806004	V	VRS1	600	22.83	24.80	0.56	0.98	0.59	0.79	0.160
806103	S	VRS4	610	24.02	24.41	0.56	0.98	0.59	0.79	0.160
806203	S	VRS4	620	24.41	24.80	0.56	0.98	0.59	0.79	0.160
806303	S	VRS4	630	24.80	25.20	0.56	0.98	0.59	0.79	0.160
806403	S	VRS4	640	25.20	25.59	0.56	0.98	0.59	0.79	0.160
806500	S	VRS1	650	24.80	26.18	0.56	0.98	0.59	0.79	0.160
806503	S	VRS4	650	25.59	25.98	0.56	0.98	0.59	0.79	0.160
806903	S	VRS4	690	27.10	27.50	0.56	0.98	0.59	0.79	0.160
807000	S	VRS1	700	26.18	27.76	0.56	0.98	0.59	0.79	0.160
807003	S	VRS4	700	27.56	27.95	0.56	0.98	0.59	0.79	0.160
807250	S	VRS1	725	27.76	29.33	0.56	0.98	0.59	0.79	0.160
807500	S	VRS1	750	29.33	30.91	0.56	0.98	0.59	0.79	0.160
807503	S	VRS4	750	29.53	29.84	0.56	0.98	0.59	0.79	0.160
807803	S	VRS4	780	30.40	30.80	0.56	0.98	0.59	0.79	0.160
808000	S	VRS1	800	30.91	32.68	0.56	0.98	0.59	0.79	0.160
808003	S	VRS4	800	31.18	31.54	0.56	0.98	0.59	0.79	0.160
808203	S	VRS4	820	31.50	33.26	0.56	0.98	0.59	0.79	0.160
808500	S	VRS1	850	32.68	34.45	0.56	0.98	0.59	0.79	0.160
808503	S	VRS4	850	33.11	33.50	0.56	0.98	0.59	0.79	0.160
809000	S	VRS1	900	34.45	36.22	0.56	0.98	0.59	0.79	0.160
809003	S	VRS4	900	35.12	35.91	0.56	0.98	0.59	0.79	0.160
809500	S	VRS1	950	36.22	37.99	0.56	0.98	0.59	0.79	0.160
809503	S	VRS4	950	37.17	37.60	0.56	0.98	0.59	0.79	0.160
810000	S	VRS1	1000	37.99	39.96	0.56	0.98	0.59	0.79	0.160
810003	S	VRS4	1000	39.33	39.76	0.56	0.98	0.59	0.79	0.160
810500	S	VRS1	1050	39.96	41.93	0.56	0.98	0.59	0.79	0.160
810603	S	VRS4	1060	41.10	41.90	0.56	0.98	0.59	0.79	0.160
811000	S	VRS1	1100	41.93	43.90	0.56	0.98	0.59	0.79	0.160
811003	S	VRS4	1100	42.72	43.50	0.56	0.98	0.59	0.79	0.160
811500	S	VRS1	1150	43.90	45.87	0.56	0.98	0.59	0.79	0.160
812000	S	VRS1	1200	45.87	47.84	0.56	0.98	0.59	0.79	0.160
812003	S	VRS4	1200	46.65	47.44	0.56	0.98	0.59	0.79	0.160
812500	S	VRS1	1250	47.84	50.00	0.56	0.98	0.59	0.79	0.160
813000	S	VRS1	1300	50.00	51.97	0.56	0.98	0.59	0.79	0.160
813003	S	VRS4	1300	50.98	51.77	0.56	0.98	0.59	0.79	0.160
813500	S	VRS1	1300	51.97	53.94	0.56	0.98	0.59	0.79	0.160
813503	S	VRS4	1350	52.76	53.74	0.56	0.98	0.59	0.79	0.160
814000	S	VRS1	1400	53.94	55.91	0.56	0.98	0.59	0.79	0.160
814003	S	VRS4	1400	54.72	55.71	0.56	0.98	0.59	0.79	0.160
814500	S	VRS1	1450	55.91	57.87	0.56	0.98	0.59	0.79	0.160
814503	S	VRS4	1450	56.69	57.68	0.56	0.98	0.59	0.79	0.160
815000	S	VRS1	1500	57.87	59.84	0.56	0.98	0.59	0.79	0.160
815003	S	VRS4	1500	58.66	59.65	0.56	0.98	0.59	0.79	0.160
815500	S	VRS1	1550	59.84	61.81	0.56	0.98	0.59	0.79	0.160
815503	S	VRS4	1550	60.63	61.81	0.56	0.98	0.59	0.79	0.160
816000	S	VRS1	1600	61.81	63.78	0.56	0.98	0.59	0.79	0.160
816003	S	VRS4	1600	62.99	64.57	0.56	0.98	0.59	0.79	0.160
816500	S	VRS1	1650	63.78	65.75	0.56	0.98	0.59	0.79	0.160
816503	S	VRS4	1650	64.57	66.14	0.56	0.98	0.59	0.79	0.160
817000	S	VRS1	1700	65.75	67.72	0.56	0.98	0.59	0.79	0.160
817003	S	VRS4	1700	66.15	67.72	0.56	0.98	0.59	0.79	0.160
817500	S	VRS1	1750	67.72	69.69	0.56	0.98	0.59	0.79	0.160
817503	S	VRS4	1750	67.72	69.49	0.56	0.98	0.59	0.79	0.160
818000	S	VRS1	1800	69.69	71.65	0.56	0.98	0.59	0.79	0.160
818003	S	VRS4	1800	69.49	71.26	0.56	0.98	0.59	0.79	0.160
818500	S	VRS1	1850	71.65	73.62	0.56	0.98	0.59	0.79	0.160
818503	S	VRS4	1850	71.26	73.03	0.56	0.98	0.59	0.79	0.160
819000	S	VRS1	1900	73.62	75.59	0.56	0.98	0.59	0.79	0.160
819003	S	VRS4	1900	73.03	75.00	0.56	0.98	0.59	0.79	0.160
819500	S	VRS1	1950	75.59	77.56	0.56	0.98	0.59	0.79	0.160
819503	S	VRS4	1950	75.00	76.97	0.56	0.98	0.59	0.79	0.160
819990	S	VRS1	1999	77.56	79.53	0.56	0.98	0.59	0.79	0.160
820003	S	VRS4	2000	76.90	79.10	0.56	0.98	0.59	0.79	0.160

Select the larger V-Seal when the dimension d1 is on the boundary between two sizes. All dimensions in inches unless noted.

Shaft Size	Hsg. Bore	Seal O.D.	Seal Width	Grp.	Part No.	Lip Mat'l	Illus./ Type	Shaft Size	Hsg. Bore	Seal O.D.	Seal Width	Grp.	Part No.	Lip Mat'l	Illus./ Type
4,50	15,80	16,00	5,00	A	*4.5X16X5	S	32	8,00	24,00	24,28	7,00	A	8X24X7	S	35
4,50	15,80	16,00	7,00	A	*4.5X16X7	S	32	8,00	24,80	25,00	7,00	A	*8X25X7	S	32
4,50	16,80	17,00	7,00	A	*4.5X17X7	S	32	8,00	24,80	25,00	8,00	A	*8X25X8	S	32
4,80	14,80	15,00	5,00	A	*4.8X15X5	S	32	8,00	24,80	25,00	9,00	A	*8X25X9	S	32
5,00	14,80	15,00	6,00	A	*5X15X6	S	32	8,00	25,80	26,00	7,00	A	*8X26X7	S	32
5,00	15,80	16,00	6,00	A	*5X16X6	S	32	8,00	29,80	30,00	6,00	A	*8X30X6	S	32
5,00	16,00	16,20	5,00	A	*5X16X5	S	32	8,00	29,80	30,00	7,00	A	*8X30X7	S	32
5,00	16,80	17,00	7,00	A	*5X17X7	S	32	8,00	33,80	34,00	8,00	A	*8X34X8	S	32
5,00	17,80	18,00	6,00	A	*5X18X6	S	32	8,85	16,80	17,00	5,00	A	*8.85X17X5	S	32
5,00	17,80	18,00	7,00	A	*5X18X7	S	32	8,85	19,80	20,00	5,00	A	*8.85X20X5	S	32
5,00	17,80	18,00	10,00	A	*5X18X10	S	32	9,00	15,80	16,00	5,50	A	*9X16X5.5	S	32
5,00	18,80	19,00	7,00	A	*5X19X7	S	32	9,00	18,00	18,20	7,00	A	9X18X7	S	35
5,00	21,80	22,00	7,00	A	*5X22X7	S	32	9,00	18,00	18,20	7,00	A	220918	S	35
5,50	17,80	18,00	8,00	A	*5.5X18X8	S	32	9,00	18,80	19,00	5,00	A	*9X19X5	S	32
5,50	21,80	22,00	8,00	A	*5.5X22X8	S	32	9,00	18,80	19,00	7,00	A	*9X19X7	S	32
6,00	16,00	16,20	5,00	A	6X16X5	S	35	9,00	19,80	20,00	7,00	A	*9X20X7	S	32
6,00	16,00	16,20	7,00	A	*6X16X7V	V	35	9,00	22,00	22,20	7,00	A	9X22X7	S	35
6,00	16,00	16,28	7,00	A	6X16X7	S	35	9,00	22,00	22,20	7,00	A	*9X22X7V	V	35
6,00	16,80	17,00	7,00	A	*6X17X7	S	32	9,00	24,00	24,28	7,00	A	9X24X7	S	35
6,00	17,80	18,00	6,00	A	*6X18X6	S	32	9,00	24,80	25,00	7,00	A	*9X25X7	S	32
6,00	17,80	18,00	7,00	A	*6X18X7	S	32	9,00	26,00	26,28	7,00	A	9X26X7	S	35
6,00	18,80	19,00	7,00	A	*6X19X7	S	32	9,00	28,80	29,00	7,00	A	*9X29X7	S	32
6,00	19,80	20,00	5,50	A	*6X20X5.5	S	32	9,00	29,80	30,00	7,00	A	*9X30X7	S	32
6,00	20,80	21,00	7,00	A	*6X21X7	S	32	10,00	15,80	16,00	4,00	A	*10X16X4	S	32
6,00	22,00	22,28	7,00	A	6X22X7	S	35	10,00	15,80	16,00	4,50	A	*10X16X4.5	S	32
6,00	25,80	26,00	7,00	A	*6X26X7	S	32	10,00	16,80	17,00	5,00	A	*10X17X5	S	32
6,00	34,80	35,00	7,00	A	*6X35X7	S	32	10,00	16,80	17,00	7,00	A	*10X17X7	S	32
6,50	14,30	14,50	7,00	A	*6.5X14.5X7	S	32	10,00	17,80	18,00	4,00	A	*10X18X4	S	32
6,80	21,80	22,00	7,00	A	*6.8X22X7	S	32	10,00	17,80	18,00	5,00	A	*10X18X5	S	32
7,00	16,00	16,20	7,00	A	*7X16X7V	V	35	10,00	17,80	18,00	6,00	A	*10X18X6	S	32
7,00	16,00	16,28	7,00	A	7X16X7	S	32	10,00	17,80	18,00	7,00	A	*10X18X7	S	32
7,00	16,80	17,00	7,00	A	*7X17X7	S	32	10,00	19,00	19,20	7,00	A	10X19X7	S	35
7,00	17,80	18,00	7,00	A	*7X18X7	S	32	10,00	19,00	19,20	7,00	A	221040	S	35
7,00	18,80	19,00	7,00	A	*7X19X7	S	32	10,00	19,80	20,00	5,00	A	*10X20X5	S	32
7,00	21,80	22,00	6,00	A	*7X22X6	S	32	10,00	19,80	20,00	6,00	A	*10X20X6	S	32
7,00	21,80	22,00	8,00	A	*7X22X8	S	32	10,00	19,80	20,00	7,00	A	*10X20X7	S	32
7,00	22,00	22,28	7,00	A	7X22X7	S	35	10,00	20,80	21,00	4,00	A	*10X21X4	S	32
7,00	30,80	31,00	7,00	A	*7X31X7	S	32	10,00	20,80	21,00	6,00	A	*10X21X6	S	32
8,00	13,80	14,00	7,00	A	*8X14X7	S	32	10,00	20,80	21,00	7,00	A	*10X21X7	S	32
8,00	14,00	14,20	4,00	A	8X14X4	S	35	10,00	21,80	22,00	5,00	A	*10X22X5	S	32
8,00	14,00	14,20	5,00	A	*8X14X5	S	32	10,00	21,80	22,00	6,00	A	*10X22X6	S	32
8,00	14,80	15,00	5,00	A	*8X15X5	S	32	10,00	22,00	22,20	7,00	A	*10X22X7V	V	35
8,00	15,80	16,00	5,00	A	*8X16X5	S	32	10,00	22,00	22,28	7,00	A	10X22X7	S	32
8,00	15,80	16,00	6,00	A	*8X16X6	S	32	10,00	22,80	23,00	7,00	A	*10X23X7	S	32
8,00	16,00	16,20	7,00	A	220860	S	35	10,00	22,80	23,00	8,00	A	*10X23X8	S	32
8,00	16,00	16,23	7,00	A	8X16X7	S	35	10,00	23,30	23,50	10,00	A	*10X23.5X10	S	32
8,00	16,80	17,00	7,00	A	*8X17X7	S	32	10,00	23,80	24,00	6,00	A	*10X24X6	S	32
8,00	17,80	18,00	6,00	A	*8X18X6	S	32	10,00	24,00	24,23	7,00	A	10X24X7	S	35
8,00	17,80	18,00	8,00	A	*8X18X8	S	32	10,00	24,80	25,00	5,00	A	*10X25X5	S	32
8,00	18,00	18,20	5,00	A	8X18X5	S	35	10,00	24,80	25,00	10,00	A	*10X25X10	S	32
8,00	18,00	18,20	7,00	A	8X18X7	S	32	10,00	25,00	25,28	7,00	A	10X25X7	S	32
8,00	18,00	18,20	7,00	A	220818	S	32	10,00	25,80	26,00	8,00	A	*10X26X8	S	32
8,00	18,80	19,00	7,00	A	*8X19X7	S	32	10,00	26,00	26,23	7,00	A	10X26X7	S	32
8,00	19,80	20,00	7,00	A	*8X20X7	S	32	10,00	27,80	28,00	7,00	A	*10X28X7	S	32
8,00	21,80	22,00	6,00	A	*8X22X6	S	32	10,00	27,80	28,00	8,00	A	*10X28X8	S	32
8,00	22,00	22,20	7,00	A	*8X22X7V	V	32	10,00	29,80	30,00	7,00	A	*10X30X7	S	32
8,00	22,00	22,28	7,00	A	8X22X7	S	32	10,00	29,80	30,00	10,00	A	*10X30X10	S	32
8,00	22,80	23,00	5,00	A	*8X23X5	S	32	11,00	17,00	17,25	4,00	A	11X17X4	S	32
								11,00	20,80	21,00	7,00	A	*11X21X7	S	32

METRIC SECTION

For Illustration and Material Data See Technical Section
 * Call 1-800-480-1212 For Price and Delivery

Metric List Sizes & Type
NATIONAL®

Shaft Size	Hsg. Bore	Seal O.D.	Seal Width	Grp.	Part No.	Lip Mat'l	Illus./ Type	Shaft Size	Hsg. Bore	Seal O.D.	Seal Width	Grp.	Part No.	Lip Mat'l	Illus./ Type
11,00	20,80	21,00	8,00	A	*11X21X8	S	32	12,00	35,00	35,20	7,00	A	12X35X7	S	32
11,00	22,00	22,23	7,00	A	221122	S	35	12,00	36,80	37,00	7,00	A	*12X37X7	S	32
11,00	22,00	22,28	7,00	A	11X22X7	S	35	12,45	21,80	22,00	7,00	A	*12.45X22X7	S	32
11,00	22,80	23,00	7,00	A	*11X23X7	S	32	12,50	21,80	22,00	6,00	A	*12.5X22X6	S	32
11,00	23,30	23,50	7,00	A	*11X23.5X7	S	32	12,50	23,30	23,50	8,00	A	*12.5X23.5X8	S	32
11,00	24,80	25,00	7,00	A	*11X25X7	S	32	12,50	23,30	23,50	10,00	A	*12.5X23.5X10	S	32
11,00	26,00	26,28	7,00	A	11X26X7	S	35	12,50	24,80	25,00	8,00	A	*12.5X25X8	S	32
11,00	27,80	28,00	7,00	A	*11X28X7	S	32	12,50	28,30	28,50	7,00	A	*12.5X28.5X7	S	32
11,00	28,80	29,00	7,00	A	*11X29X7	S	32	13,00	19,80	20,00	5,00	A	*13X20X5	S	32
11,00	29,80	30,00	10,00	A	*11X30X10	S	32	13,00	21,80	22,00	5,00	A	*13X22X5	S	32
11,00	30,00	30,20	7,00	A	11X30X7	S	32	13,00	21,80	22,00	7,00	A	*13X22X7	S	32
11,60	18,80	19,00	6,00	A	*11.6X19X6	S	32	13,00	22,00	22,20	6,00	A	13X22X6	S	32
11,60	23,80	24,00	10,00	A	*11.6X24X10	S	32	13,00	22,00	22,20	6,00	A	710348	S	32
12,00	17,80	18,00	5,00	A	*12X18X5	S	32	13,00	22,80	23,00	7,00	A	*13X23X7	S	32
12,00	18,80	19,00	7,00	A	*12X19X7	S	32	13,00	23,80	24,00	7,00	A	*13X24X7	S	32
12,00	19,00	19,20	5,00	A	12X19X5	S	32	13,00	24,80	25,00	5,00	A	*13X25X5	S	32
12,00	19,80	20,00	4,00	A	*12X20X4	S	32	13,00	24,80	25,00	7,00	A	*13X25X7	S	32
12,00	19,80	20,00	6,00	A	*12X20X6	S	32	13,00	25,80	26,00	9,00	A	*13X26X9	S	32
12,00	19,80	20,00	7,00	A	*12X20X7	S	32	13,00	26,00	26,20	7,00	A	13X26X7	S	32
12,00	20,00	20,28	5,00	A	12X20X5	S	32	13,00	27,00	27,20	7,00	A	*13X27X7	S	32
12,00	20,80	21,00	4,00	A	*12X21X4	S	32	13,00	28,00	28,20	7,00	A	13X28X7	S	32
12,00	20,80	21,00	7,00	A	*12X21X7	S	32	13,00	29,80	30,00	8,00	A	*13X30X8	S	32
12,00	21,80	22,00	5,00	A	*12X22X5	S	32	13,00	30,00	30,20	7,00	A	13X30X7	S	32
12,00	21,80	22,00	6,50	A	*12X22X6.5	S	32	13,00	31,80	32,00	7,00	A	*13X32X7	S	32
12,00	21,80	22,00	8,00	A	*12X22X8	S	32	13,00	34,80	35,00	7,00	A	*13X35X7	S	32
12,00	21,80	22,00	9,00	A	*12X22X9	S	32	13,80	23,80	24,00	5,00	A	*13.8X24X5	S	32
12,00	22,00	22,20	7,00	A	*12X22X7V	V	35	14,00	20,80	21,00	4,00	A	*14X21X4	S	32
12,00	22,00	22,25	7,00	A	12X22X7	S	35	14,00	21,80	22,00	4,00	A	*14X22X4	S	32
12,00	22,00	22,25	7,00	A	221207	S	35	14,00	21,80	22,00	6,00	A	*14X22X6	S	32
12,00	22,00	22,25	7,00	A	221208	V	35	14,00	21,80	22,00	7,00	A	*14X22X7	S	32
12,00	22,80	23,00	7,00	A	*12X23X7	S	32	14,00	22,80	23,00	6,00	A	*14X23X6	S	32
12,00	23,30	23,50	7,00	A	*12X23.5X7	S	32	14,00	23,80	24,00	4,00	A	*14X24X4	S	32
12,00	23,80	24,00	8,00	A	*12X24X8	S	32	14,00	23,80	24,00	5,00	A	*14X24X5	S	32
12,00	24,00	24,23	7,00	A	12X24X7	S	32	14,00	23,80	24,00	6,00	A	*14X24X6	S	32
12,00	24,80	25,00	8,00	A	*12X25X8	S	32	14,00	23,80	24,00	8,00	A	*14X24X8	S	32
12,00	24,80	25,00	10,00	A	*12X25X10	S	32	14,00	24,00	24,23	7,00	A	221410	S	35
12,00	25,00	25,20	4,50	A	12X25X4.5	S	32	14,00	24,00	24,23	7,00	A	14X24X7	S	35
12,00	25,00	25,25	7,00	A	12X25X7	S	48	14,00	24,00	24,25	12,70	A	2004	S	#
12,00	25,30	25,50	7,00	A	*12X25.5X7	S	32	14,00	24,80	25,00	4,00	A	*14X25X4	S	32
12,00	25,80	26,00	8,00	A	*12X26X8	S	32	14,00	24,80	25,00	7,00	A	*14X25X7	S	32
12,00	26,00	26,20	7,00	A	12X26X7	S	32	14,00	24,80	25,00	9,00	A	*14X25X9	S	32
12,00	26,80	27,00	9,00	A	*12X27X9	S	32	14,00	25,00	25,20	7,00	A	710116	N	32
12,00	27,00	27,20	7,00	A	*12X27X7	S	32	14,00	25,00	25,23	5,00	A	14X25X5	S	32
12,00	27,80	28,00	8,00	A	*12X28X8	S	32	14,00	25,80	26,00	8,00	A	*14X26X8	S	32
12,00	28,00	28,20	7,00	A	12X28X7	S	35	14,00	26,00	26,23	7,00	A	14X26X7	S	32
12,00	28,00	28,20	7,00	A	*12X28X7V	V	35	14,00	26,80	27,00	10,00	A	*14X27X10	S	32
12,00	28,30	28,50	7,00	A	*12X28.5X7	S	32	14,00	27,00	27,20	7,00	A	14X27X7	S	32
12,00	29,80	30,00	5,00	A	*12X30X5	S	32	14,00	27,80	28,00	7,00	A	*14X28X7	S	32
12,00	29,80	30,00	9,00	A	*12X30X9	S	32	14,00	27,80	28,00	7,00	A	*14X28X7	S	32
12,00	29,80	30,00	10,00	A	*12X30X10	S	32	14,00	28,00	28,23	6,00	A	14X28X6	S	35
12,00	30,00	30,20	7,00	A	12X30X7	S	35	14,00	28,30	28,50	7,00	A	*14X28.5X7	S	32
12,00	30,00	30,20	7,00	A	*12X30X7V	V	35	14,00	28,80	29,00	7,00	A	*14X29X7	S	32
12,00	31,80	32,00	5,00	A	*12X32X5	S	32	14,00	29,80	30,00	7,50	A	*14X30X7.5	S	32
12,00	31,80	32,00	10,00	A	*12X32X10	S	32	14,00	29,80	30,00	8,00	A	*14X30X8	S	32
12,00	32,00	32,20	7,00	A	12X32X7	S	35	14,00	29,80	30,00	9,00	A	*14X30X9	S	32
12,00	34,80	35,00	10,00	A	*12X35X10	S	32	14,00	29,80	30,00	10,00	A	*14X30X10	S	32
								14,00	30,00	30,20	7,00	A	14X30X7	S	32
								14,00	30,00	30,20	7,00	A	*14X30X7V	V	35

For Illustration and Material Data See Technical Section

Designed For A Specific Application - Not Recommended For General Use ◀ Hydrodynamic Lip Design-CCW * Call 1-800-480-1212 For Price and Delivery

Shaft Size	Hsg. Bore	Seal O.D.	Seal Width	Grp.	Part No.	Lip Mat'l	Illus./ Type	Shaft Size	Hsg. Bore	Seal O.D.	Seal Width	Grp.	Part No.	Lip Mat'l	Illus./ Type
14,00	31,80	32,00	7,50	A	* 14X32X7.5	S	32	15,00	36,80	37,00	7,00	A	* 15X37X7	S	32
14,00	31,80	32,00	10,00	A	* 14X32X10	S	32	15,00	37,00	37,20	6,00	A	15X37X6	S	32
14,00	32,00	32,20	7,00	A	14X32X7	S	32	15,00	37,80	38,00	10,00	A	* 15X38X10	S	32
14,00	34,80	35,00	8,00	A	* 14X35X8	S	32	15,00	38,00	38,20	7,00	A	* 15X38X7	S	32
14,00	34,80	35,00	10,00	A	* 14X35X10	S	32	15,00	39,80	40,00	8,00	A	* 15X40X8	S	32
14,00	35,00	35,22	7,00	A	14X35X7	S	35	15,00	39,80	40,00	10,00	A	* 15X40X10	S	32
14,00	35,80	36,00	7,00	A	* 14X36X7	S	32	15,00	40,00	40,20	7,00	A	15X40X7	S	32
14,00	39,80	40,00	7,00	A	* 14X40X7	S	32	15,00	41,80	42,00	7,00	A	* 15X42X7	S	32
14,00	39,80	40,00	10,00	A	* 14X40X10	S	32	15,00	41,80	42,00	8,00	A	* 15X42X8	S	32
14,50	31,80	32,00	7,00	A	* 14.5X32X7	S	32	15,00	41,80	42,00	10,00	A	* 15X42X10	S	32
14,80	29,80	30,00	7,50	A	* 14.8X30X7.5	S	32	15,60	25,30	25,50	7,00	A	* 15.6X25.5X7	S	32
15,00	20,00	20,10	5,00	A	710346	S	49	16,00	20,80	21,00	6,00	A	* 16X21X6	S	32
15,00	20,80	21,00	5,00	A	* 15X21X5	S	32	16,00	21,80	22,00	7,00	A	* 16X22X7	S	32
15,00	21,80	22,00	4,00	A	* 15X22X4	S	32	16,00	22,00	22,20	4,00	A	16X22X4	S	32
15,00	21,80	22,00	5,00	A	* 15X22X5	S	32	16,00	22,80	24,00	4,00	A	* 16X24X4	S	32
15,00	21,80	22,00	7,00	A	* 15X22X7	S	32	16,00	24,00	24,20	6,00	A	16X24X6	S	32
15,00	22,80	23,00	7,00	A	* 15X23X7	S	32	16,00	24,00	24,20	7,00	A	16X24X7	S	32
15,00	23,80	24,00	5,00	A	* 15X24X5	S	32	16,00	24,80	25,00	5,00	A	* 16X25X5	S	32
15,00	23,80	24,00	6,00	A	* 15X24X6	S	32	16,00	24,80	25,00	6,00	A	* 16X25X6	S	32
15,00	24,00	24,20	5,00	A	2027	S	35	16,00	24,80	25,00	7,00	A	* 16X25X7	S	32
15,00	24,00	24,23	7,00	A	15X24X7	S	35	16,00	25,00	25,20	5,00	A	16X24X5	S	35
15,00	25,00	25,20	5,00	A	15X25X5	S	32	16,00	25,80	26,00	5,00	A	* 16X26X5	S	32
15,00	25,00	25,20	7,00	A	15X25X7	S	35	16,00	25,80	26,00	6,00	A	* 16X26X6	S	32
15,00	25,00	25,22	7,00	A	* 350509	S	35	16,00	25,80	26,00	6,00	A	* 16X26X6	S	32
15,00	25,00	25,25	6,00	A	15X25X6	N	32	16,00	26,00	26,10	7,00	A	710243	S	25
15,00	25,00	25,25	6,00	A	221510	N	32	16,00	26,00	26,20	7,00	A	16X26X7	S	32
15,00	25,30	25,50	4,50	A	* 15X25.5X4.5	S	32	16,00	26,80	27,00	7,00	A	* 16X27X7	S	32
15,00	25,30	25,50	7,00	A	* 15X25.5X7	S	32	16,00	27,00	27,20	14,00	A	221607	N	#
15,00	25,80	26,00	6,00	A	* 15X26X6	S	32	16,00	27,23	27,33	9,00	A	* 4662V	V	47
15,00	25,80	26,00	8,00	A	* 15X26X8	S	32	16,00	27,23	27,33	9,00	A	714662	V	47
15,00	25,80	26,00	9,00	A	* 15X26X9	S	32	16,00	28,00	28,20	7,00	A	* 16X28X7V	V	32
15,00	26,00	26,23	7,00	A	15X26X7	S	35	16,00	28,00	28,23	7,00	A	221610	N	32
15,00	26,80	27,00	7,00	A	* 15X27X7	S	32	16,00	28,00	28,23	7,00	A	16X28X7	S	35
15,00	26,80	27,00	8,00	A	* 15X27X8	S	32	16,00	28,30	28,50	8,00	A	* 16X28.5X8	S	32
15,00	27,80	28,00	6,00	A	* 15X28X6	S	32	16,00	28,80	29,00	7,00	A	* 16X29X7	S	32
15,00	27,80	28,00	8,00	A	* 15X28X8	S	32	16,00	29,80	30,00	4,50	A	* 16X30X4.5	S	32
15,00	27,80	28,00	10,00	A	* 15X28X10	S	32	16,00	29,80	30,00	5,00	A	* 16X30X5	S	32
15,00	27,93	28,13	7,00	A	* 15X28.13X7	S	32	16,00	29,80	30,00	6,00	A	* 16X30X6	S	32
15,00	28,00	28,20	7,00	A	15X28X7	S	32	16,00	29,80	30,00	8,00	A	* 16X30X8	S	32
15,00	28,30	28,50	7,00	A	* 15X28.5X7	S	32	16,00	29,80	30,00	10,00	A	* 16X30X10	S	32
15,00	28,80	29,00	7,00	A	* 15X29X7	S	32	16,00	30,00	30,20	7,00	A	* 16X30X7V	V	35
15,00	29,80	30,00	5,00	A	* 15X30X5	S	32	16,00	30,00	30,20	7,00	A	* 713026	V	25
15,00	29,80	30,00	7,50	A	* 15X30X7.5	S	32	16,00	30,00	30,23	7,00	A	221620	S	35
15,00	29,80	30,00	8,00	A	* 15X30X8	S	32	16,00	30,00	30,23	7,00	A	16X30X7	S	35
15,00	29,80	30,00	10,00	A	* 15X30X10	S	32	16,00	31,80	32,00	10,00	A	* 16X32X10	S	32
15,00	30,00	30,23	7,00	A	221540	S	35	16,00	32,00	32,28	7,00	A	16X32X7	S	32
15,00	30,00	30,23	7,00	A	15X30X7	S	35	16,00	33,80	34,00	4,00	A	* 16X34X4	S	32
15,00	30,80	31,00	7,00	A	* 15X31X7	S	32	16,00	34,80	35,00	8,00	A	* 16X35X8	S	32
15,00	31,80	32,00	5,00	A	* 15X32X5	S	32	16,00	34,80	35,00	10,00	A	* 16X35X10	S	32
15,00	31,80	32,00	7,50	A	* 15X32X7.5	S	32	16,00	35,00	35,23	7,00	A	16X35X7	S	35
15,00	31,80	32,00	9,00	A	* 15X32X9	S	32	16,00	36,00	36,20	7,00	A	* 16X36X7	S	32
15,00	32,00	32,20	7,00	A	15X32X7	S	35	16,00	36,80	37,00	7,00	A	* 16X37X7	S	32
15,00	32,00	32,20	7,00	A	* 15X32X7V	V	35	16,00	37,80	38,00	8,00	A	* 16X38X8	S	32
15,00	32,00	32,22	8,00	A	15X32X8	S	35	16,00	38,00	38,20	7,00	A	16X38X7	S	32
15,00	34,80	35,00	5,00	A	* 15X35X5	S	32	16,00	39,80	40,00	10,00	A	* 16X40X10	S	32
15,00	34,80	35,00	6,00	A	* 15X35X6	S	32	16,00	40,00	40,20	7,00	A	16X40X7	S	32
15,00	34,80	35,00	8,00	A	* 15X35X8	S	32								
15,00	34,80	35,00	10,00	A	* 15X35X10	S	32								
15,00	35,00	35,20	7,00	A	* 15X35X7V	V	35								
15,00	35,00	35,23	7,00	A	15X35X7	S	35								
15,00	35,80	36,00	7,00	A	* 15X36X7	S	32								

METRIC SECTION

For Illustration and Material Data See Technical Section

Designed For A Specific Application - Not Recommended For General Use * Call 1-800-480-1212 For Price and Delivery

Metric List Sizes & Type
NATIONAL[®]

Shaft Size	Hsg. Bore	Seal O.D.	Seal Width	Grp.	Part No.	Lip Mat'l	Illus./ Type	Shaft Size	Hsg. Bore	Seal O.D.	Seal Width	Grp.	Part No.	Lip Mat'l	Illus./ Type
16,00	44,75	44,96	9,00	A	*4616V	V	#	17,00	38,00	38,20	7,00	A	17X38X7	S	32
16,00	44,75	44,96	9,00	A	714616	V	#	17,00	39,80	40,00	5,00	A	*17X40X5	S	32
16,00	56,00	56,20	6,50	A	710261	V	32	17,00	39,80	40,00	8,00	A	*17X40X8	S	32
16,40	29,80	30,00	5,00	A	*16.4X30X5	S	32	17,00	39,80	40,00	10,00	A	*17X40X10	S	32
17,00	20,80	20,90	3,10	A	710361	S	44	17,00	40,00	40,23	7,00	A	17X40X7	S	35
17,00	23,80	24,00	7,00	A	*17X24X7	S	32	17,00	42,00	42,20	7,00	A	*17X42X7	S	32
17,00	24,80	25,00	4,00	A	*17X25X4	S	32	17,00	45,00	45,20	7,00	A	*17X45X7	S	32
17,00	24,80	25,00	6,00	A	*17X25X6	S	32	17,00	45,80	46,00	6,00	A	*17X46X6	S	32
17,00	24,80	25,00	7,00	A	*17X25X7	S	32	17,00	46,00	46,20	7,00	A	*17X46X7	S	32
17,00	25,00	25,10	5,00	A	710362	S	49	17,00	46,80	47,00	10,00	A	*17X47X10	S	32
17,00	25,80	26,00	6,00	A	*17X26X6	S	32	17,00	47,00	47,20	7,00	A	17X47X7	S	35
17,00	25,80	26,00	7,00	A	*17X26X7	S	32	17,00	47,00	47,20	8,00	A	17X47X8	S	32
17,00	26,80	27,00	5,00	A	*17X27X5	S	32	17,40	30,00	30,20	7,00	A	710344	S	32
17,00	26,80	27,00	8,00	A	*17X27X8	S	32	17,50	27,50	27,70	7,00	A	710299	N	#
17,00	26,80	27,00	10,00	A	*17X27X10	S	32	17,50	31,80	32,00	6,00	A	*17.5X32X6	S	32
17,00	27,00	27,20	7,00	A	17X27X7	S	32	17,60	29,80	30,00	7,00	A	*17.6X30X7	S	32
17,00	27,80	28,00	4,50	A	*17X28X4.5	S	32	18,00	23,00	23,20	4,00	A	710297	S	34
17,00	27,80	28,00	5,00	A	*17X28X5	S	32	18,00	24,80	25,00	7,00	A	*18X25X7	S	32
17,00	27,80	28,00	6,00	A	*17X28X6	S	32	18,00	25,80	26,00	7,00	A	*18X26X7	S	32
17,00	27,80	28,00	8,00	A	*17X28X8	S	32	18,00	26,00	26,10	4,00	A	710222	S	98
17,00	28,00	28,20	5,00	A	*713001	V	32	18,00	26,80	27,00	7,00	A	*18X27X7	S	32
17,00	28,00	28,20	7,00	A	*17X28X7V	V	35	18,00	27,80	28,00	7,00	A	*18X28X7	S	32
17,00	28,00	28,20	7,00	A	*713080	S	47	18,00	27,80	28,00	8,00	A	*18X28X8	S	32
17,00	28,00	28,23	7,00	A	221710	S	35	18,00	27,80	28,00	10,00	A	*18X28X10	S	32
17,00	28,00	28,23	7,00	A	17X28X7	S	35	18,00	28,00	28,20	6,00	A	1015	S	35
17,00	28,30	28,50	7,00	A	*17X28.5X7	S	32	18,00	28,00	28,20	6,00	A	1015N	S	35
17,00	28,80	29,00	5,00	A	*17X29X5	S	32	18,00	28,00	28,20	6,00	A	*4400	N	34
17,00	29,00	29,20	7,00	A	*17X29X7	S	32	18,00	28,00	28,20	7,00	A	*18X28X7V	V	35
17,00	29,80	30,00	5,00	A	*17X30X5	S	32	18,00	28,00	28,28	6,00	A	18X28X6	S	35
17,00	29,80	30,00	6,00	A	*17X30X6	S	32	18,00	28,80	29,00	7,00	A	*18X29X7	S	32
17,00	29,80	30,00	6,00	A	*17X30X6	S	32	18,00	29,80	30,00	6,00	A	*18X30X6	S	32
17,00	29,80	30,00	8,00	A	*17X30X8	S	32	18,00	29,80	30,00	6,00	A	*18X30X6	S	32
17,00	29,80	30,00	10,00	A	*17X30X10	S	32	18,00	29,80	30,00	8,00	A	*18X30X8	S	32
17,00	30,00	30,20	7,00	A	*17X30X7V	V	35	18,00	29,80	30,00	10,00	A	*18X30X10	S	32
17,00	30,00	30,23	8,00	A	221720	S	47	18,00	30,00	30,10	6,70	A	3816&	S	271
17,00	30,00	30,23	7,00	A	17X30X7	S	35	18,00	30,00	30,23	7,00	A	18X30X7	S	35
17,00	30,80	31,00	7,00	A	*17X31X7	S	32	18,00	30,00	30,23	9,00	A	221820	S	32
17,00	30,80	31,00	8,00	A	*17X31X8	S	32	18,00	30,80	31,00	7,00	A	*18X31X7	S	32
17,00	31,55	31,75	8,00	A	*17X31.75X8	S	32	18,00	31,80	32,00	6,00	A	*18X32X6	S	32
17,00	31,80	32,00	5,00	A	*17X32X5	S	32	18,00	31,80	32,00	6,00	A	*18X32X6	S	32
17,00	31,80	32,00	6,00	A	*17X32X6	S	32	18,00	31,80	32,00	10,00	A	*18X32X10	S	32
17,00	31,80	32,00	8,00	A	*17X32X8	S	32	18,00	32,00	32,10	7,00	A	710156	S	#
17,00	32,00	32,22	7,00	A	221730	S	35	18,00	32,00	32,20	7,00	A	18X32X7	S	35
17,00	32,00	32,22	7,00	A	17X32X7	S	35	18,00	32,00	32,20	7,00	A	*18X32X7V	V	35
17,00	32,80	33,00	7,00	A	*17X33X7	S	32	18,00	32,00	32,22	8,00	A	221830	S	35
17,00	33,80	34,00	4,00	A	*17X34X4	S	32	18,00	32,00	32,22	8,00	A	*18X32X8	S	35
17,00	33,80	34,00	7,00	A	*17X34X7	S	32	18,00	32,00	32,23	12,70	A	*4401	N	#
17,00	34,00	34,10	7,90	A	710251	N	47	18,00	33,80	34,00	7,00	A	*18X34X7	S	32
17,00	34,30	34,50	4,00	A	*17X34.5X4	S	32	18,00	34,00	34,20	8,00	A	710412	S	32
17,00	34,80	35,00	6,00	A	*17X35X6	S	32	18,00	34,80	35,00	8,00	A	*18X35X8	S	32
17,00	34,80	35,00	10,00	A	*17X35X10	S	32	18,00	34,80	35,00	10,00	A	*18X35X10	S	32
17,00	35,00	35,18	7,00	A	17X35X7	S	35	18,00	35,00	35,18	7,00	A	18X35X7	S	32
17,00	35,00	35,18	7,00	A	221735	S	35	18,00	35,00	35,20	8,00	A	*18X35X8V	V	35
17,00	35,00	35,20	7,00	A	*17X35X7V	V	35	18,00	36,00	36,20	7,00	A	*18X36X7	S	32
17,00	35,00	35,20	8,00	A	17X35X8	S	35	18,00	36,80	37,00	7,00	A	*18X37X7	S	32
17,00	36,00	36,20	7,00	A	*17X36X7	S	32	18,00	37,00	37,20	8,00	A	18X37X8	S	32
17,00	36,80	37,00	10,00	A	*17X37X10	S	32	18,00	37,80	38,00	10,00	A	*18X38X10	S	32
17,00	37,00	37,20	7,00	A	17X37X7	S	32								
17,00	37,80	38,00	10,00	A	*17X38X10	S	32								

For Illustration and Material Data See Technical Section

Designed For A Specific Application - Not Recommended For General Use ▶ Hydrodynamic Lip Design-CW & Flanged O.D. * Call 1-800-480-1212 For Price and Delivery

Shaft Size	Hsg. Bore	Seal O.D.	Seal Width	Grp.	Part No.	Lip Mat'l	Illus./ Type	Shaft Size	Hsg. Bore	Seal O.D.	Seal Width	Grp.	Part No.	Lip Mat'l	Illus./ Type
18,00	38,00	38,20	7,00	A	18X38X7	S	32	20,00	28,00	28,20	6,00	A	20X28X6	S	32
18,00	39,80	40,00	10,00	A	* 18X40X10	S	32	20,00	29,80	30,00	4,50	A	* 20X30X4.5	S	32
18,00	40,00	40,22	7,00	A	18X40X7	S	35	20,00	29,80	30,00	5,50	A	* 20X30X5.5	S	32
18,00	40,00	40,20	7,00	A	* 18X40X7V	V	35	20,00	29,80	30,00	6,00	A	* 20X30X6	S	32
18,00	41,80	42,00	7,00	A	* 18X42X7	S	32	20,00	29,80	30,00	9,00	A	* 20X30X9	S	32
18,00	41,80	42,00	10,00	A	* 18X42X10	S	32	20,00	29,80	30,00	10,00	A	* 20X30X10	S	32
18,70	35,00	35,20	7,00	A	710272	N	32	20,00	30,00	30,20	5,00	A	20X30X5	S	35
19,00	24,80	25,00	6,00	A	* 19X25X6	S	32	20,00	30,00	30,20	5,00	A	* 20X30X5V	V	35
19,00	26,80	27,00	5,00	A	* 19X27X5	S	32	20,00	30,00	30,20	7,00	A	* 20X30X7V	V	35
19,00	26,80	27,00	10,00	A	* 19X27X10	S	32	20,00	30,00	30,28	7,00	A	222025	S	35
19,00	27,00	27,20	6,00	A	19X27X6	S	35	20,00	30,00	30,28	7,00	A	20X30X7	S	35
19,00	27,80	28,00	7,00	A	* 19X28X7	S	32	20,00	30,80	31,00	5,00	A	* 20X31X5	S	32
19,00	28,80	29,00	7,00	A	* 19X29X7	S	32	20,00	31,00	31,20	7,00	A	* 20X31X7	S	32
19,00	30,00	30,20	7,00	A	19X30X7	S	32	20,00	31,80	32,00	5,00	A	* 20X32X5	S	32
19,00	30,00	30,20	7,00	A	221920	S	32	20,00	31,80	32,00	6,00	A	* 20X32X6	S	32
19,00	31,80	32,00	5,00	A	* 19X32X5	S	32	20,00	31,80	32,00	7,50	A	* 20X32X7.5	S	32
19,00	31,80	32,00	6,00	A	* 19X32X6	S	32	20,00	31,80	32,00	8,00	A	* 20X32X8	S	32
19,00	31,80	32,00	10,00	A	* 19X32X10	S	32	20,00	31,80	32,00	10,00	A	* 20X32X10	S	32
19,00	32,00	32,20	7,00	A	19X32X7	S	35	20,00	32,00	32,23	7,00	A	222020	S	35
19,00	32,00	32,20	8,00	A	19X32X8	S	32	20,00	32,00	32,23	7,00	A	20X32X7	S	35
19,00	32,00	32,20	8,00	A	221922	S	32	20,00	32,80	33,00	7,00	A	* 20X33X7	S	32
19,00	32,80	33,00	8,00	A	* 19X33X8	S	32	20,00	32,80	33,00	10,00	A	* 20X33X10	S	32
19,00	33,30	33,50	7,00	A	* 19X33.5X7	S	32	20,00	33,80	34,00	7,00	A	* 20X34X7	S	32
19,00	33,80	34,00	7,00	A	* 19X34X7	S	32	20,00	34,00	34,25	7,00	A	222028	S	32
19,00	34,80	35,00	7,00	A	* 19X35X7	S	32	20,00	34,80	35,00	6,00	A	* 20X35X6	S	32
19,00	34,80	35,00	8,00	A	* 19X35X8	S	32	20,00	34,80	35,00	8,00	A	* 20X35X8	S	32
19,00	34,80	35,00	8,00	A	* 19X35X8	S	32	20,00	34,80	35,00	10,00	A	* 20X35X10	S	32
19,00	34,93	35,00	8,00	A	710445	S	35	20,00	35,00	35,20	7,00	A	* 20X36X8	S	32
19,00	35,00	35,23	10,00	A	19X35X10	S	35	20,00	35,00	35,23	5,50	A	222030	S	32
19,00	35,00	35,23	10,00	A	710273	S	35	20,00	35,00	35,23	7,00	A	20X35X7	S	35
19,00	35,80	36,00	7,00	A	* 19X36X7	S	32	20,00	35,80	36,00	8,00	A	* 20X36X8	S	32
19,00	36,00	36,23	6,50	A	221925	S	35	20,00	35,80	36,00	10,00	A	* 20X36X10	S	32
19,00	36,80	37,00	10,00	A	* 19X37X10	S	32	20,00	35,80	36,00	12,00	A	* 20X36X12	S	32
19,00	37,00	37,20	7,00	A	* 19X37X7	S	32	20,00	36,00	36,20	7,00	A	20X36X7	S	32
19,00	37,80	38,00	8,00	A	* 19X38X8	S	32	20,00	36,00	36,20	7,00	A	222036	V	32
19,00	37,80	38,00	10,00	A	* 19X38X10	S	32	20,00	36,80	37,00	6,00	A	* 20X37X6	S	32
19,00	38,00	38,20	7,00	A	* 19X38X7	S	32	20,00	36,80	37,00	10,00	A	* 20X37X10	S	32
19,00	38,00	38,20	7,00	A	710154	S	32	20,00	37,00	37,20	7,00	A	20X37X7	S	32
19,00	39,80	40,00	7,00	A	* 19X40X7	S	32	20,00	37,00	37,20	8,00	A	20X37X8	S	32
19,00	40,00	40,23	10,00	A	19X40X10	S	35	20,00	37,50	37,70	7,00	A	* 20X37.7X7	S	32
19,00	40,80	41,00	7,00	A	* 19X41X7	S	32	20,00	37,80	38,00	5,00	A	* 20X38X5	S	32
19,00	42,00	42,20	7,00	A	* 19X42X7	S	32	20,00	37,80	38,00	8,00	A	* 20X38X8	S	32
19,00	45,00	45,20	7,00	A	* 19X45X7	S	32	20,00	37,80	38,00	10,00	A	* 20X38X10	S	32
19,00	46,00	46,20	7,00	A	* 19X46X7	S	32	20,00	38,00	38,20	7,00	A	20X38X7	S	32
19,00	47,00	47,20	7,00	A	19X47X7	S	32	20,00	38,80	39,00	6,00	A	* 20X39X6	S	32
19,00	47,63	47,73	6,35	A	* 43361	S	4S	20,00	39,60	39,80	6,50	A	* 20X39.8X6.5	S	32
19,50	34,80	35,00	6,00	A	* 19.5X35X6	S	32	20,00	39,80	40,00	8,00	A	* 20X40X8	S	32
19,80	29,80	30,00	5,00	A	* 19.8X30X5	S	32	20,00	39,80	40,00	9,00	A	* 20X40X9	S	32
20,00	24,80	25,00	7,00	A	* 20X25X7	S	32	20,00	39,80	40,00	12,00	A	* 20X40X12	S	32
20,00	25,80	26,00	4,00	A	* 20X26X4	S	32	20,00	40,00	40,20	7,00	A	* 20X40X7V	V	32
20,00	25,80	26,00	5,00	A	* 20X26X5	S	32	20,00	40,00	40,23	7,00	A	222050	S	35
20,00	25,80	26,00	5,60	A	* 20X26X5.6	S	32	20,00	40,00	40,23	7,00	A	20X40X7	S	35
20,00	26,00	26,20	4,00	A	710249	S	97	20,00	40,00	40,23	10,00	A	20X40X10	S	35
20,00	26,80	27,00	5,00	A	* 20X27X5	S	32	20,00	40,00	40,30	5,70	A	* 713029	N	#
20,00	27,80	28,00	4,00	A	* 20X28X4	S	32	20,00	40,00	40,30	7,50	A	* 713019	N	45
20,00	27,80	28,00	7,00	A	* 20X28X7	S	32	20,00	41,05	41,25	7,00	A	* 20X41.25X7	S	32
								20,00	41,80	42,00	6,00	A	* 20X42X6	S	32
								20,00	41,80	42,00	8,00	A	* 20X42X8	S	32
								20,00	42,00	42,15	10,00	A	20X42X10	S	32
								20,00	42,00	42,25	7,00	A	20X42X7	S	35
								20,00	42,00	42,25	7,00	A	* 20X42X7V	V	35

METRIC SECTION

For Illustration and Material Data See Technical Section

Designed For A Specific Application - Not Recommended For General Use ➔ Hydrodynamic Lip Design-CW ◀ Hydrodynamic Lip Design-CCW

* Call 1-800-480-1212 For Price and Delivery

Metric List Sizes & Type
NATIONAL®

Shaft Size	Hsg. Bore	Seal O.D.	Seal Width	Grp.	Part No.	Lip Mat'l	Illus./ Type	Shaft Size	Hsg. Bore	Seal O.D.	Seal Width	Grp.	Part No.	Lip Mat'l	Illus./ Type
20,00	43,80	44,00	7,00	A	*20X44X7	S	32	22,00	34,80	35,00	8,00	A	*22X35X8	S	32
20,00	44,80	45,00	7,00	A	*20X45X7	S	32	22,00	34,80	35,00	9,00	A	*22X35X9	S	32
20,00	44,80	45,00	8,00	A	*20X45X8	S	32	22,00	34,80	35,00	10,00	A	*22X35X10	S	32
20,00	44,80	45,00	10,00	A	*20X45X10	S	32								
20,00	44,80	45,00	12,00	A	*20X45X12	S	32	22,00	35,00	35,20	7,00	A	*22X35X7V	V	35
20,00	45,80	46,00	8,00	A	*20X46X8	S	32	22,00	35,00	35,20	7,00	A	*713031	V	35
								22,00	35,00	35,23	7,00	A	222220	S	32
20,00	46,00	46,20	7,00	A	*20X46X7	S	32	22,00	35,00	35,23	7,00	A	22X35X7	S	35
20,00	46,80	47,00	6,00	A	*20X47X6	S	32	22,00	35,80	36,00	8,00	A	*22X36X8	S	32
20,00	46,80	47,00	8,00	A	*20X47X8	S	32	22,00	35,80	36,00	10,00	A	*22X36X10	S	32
20,00	46,80	47,00	9,00	A	*20X47X9	S	32								
20,00	46,80	47,00	10,00	A	*20X47X10	S	32	22,00	36,00	36,20	7,00	A	22X36X7	S	32
20,00	46,80	47,00	12,00	A	*20X47X12	S	32								
20,00	46,80	47,00	13,00	A	*20X47X13	S	32	22,00	36,80	37,00	6,00	A	*22X37X6	S	32
20,00	47,00	47,20	7,00	A	*20X47X7V	V	35	22,00	37,00	37,23	7,00	A	22X37X7	S	35
20,00	47,00	47,20	7,00	A	222060	S	35	22,00	38,00	38,20	7,00	A	22X38X7	S	35
20,00	47,00	47,20	8,50	A	710342	S	32	22,00	38,00	38,20	7,00	A	*22X38X7V	V	35
20,00	47,00	47,22	7,00	A	20X47X7	S	35	22,00	38,00	38,20	8,00	A	22X38X8	S	32
								22,00	38,00	38,20	8,00	A	222238	S	32
20,00	47,80	48,00	8,00	A	*20X48X8	S	32	22,00	38,80	39,00	7,00	A	*22X39X7	S	32
20,00	47,80	48,00	10,00	A	*20X48X10	S	32	22,00	39,80	40,00	4,00	A	*22X40X4	S	32
								22,00	39,80	40,00	10,00	A	*22X40X10	S	32
20,00	48,00	48,20	7,00	A	*20X48X7	S	32	22,00	39,80	40,00	11,00	A	*22X40X11	S	32
								22,00	39,80	40,00	12,00	A	*22X40X12	S	32
20,00	48,80	49,00	7,00	A	*20X49X7	S	32								
20,00	49,80	50,00	8,00	A	*20X50X8	S	32	22,00	40,00	40,18	16,00	A	*1163	S	#
20,00	49,80	50,00	10,00	A	*20X50X10	S	32	22,00	40,00	40,20	7,00	A	*22X40X7V	V	32
								22,00	40,00	40,20	7,50	A	*713032	N	45
20,00	50,00	50,20	7,00	A	*20X50X7	S	32	22,00	40,00	40,20	8,00	A	22X40X8	S	35
								22,00	40,00	40,23	7,00	A	22X40X7	S	35
20,00	51,75	52,00	8,00	A	*20X52X8	S	32	22,00	40,00	40,23	7,00	A	222240	S	35
20,00	51,75	52,00	9,00	A	*20X52X9	S	32	22,00	40,00	40,23	12,00	A	222242	N	32
20,00	51,75	52,00	10,00	A	*20X52X10	S	32	22,00	40,00	40,34	7,75	A	1963	N	35
20,00	51,75	52,00	12,00	A	*20X52X12	S	32								
								22,00	41,05	41,25	6,00	A	*22X41.25X6	S	32
20,00	52,00	52,20	7,00	A	20X52X7	S	35	22,00	41,30	41,50	6,00	A	*22X41.5X6	S	32
								22,00	41,80	42,00	6,00	A	*22X42X6	S	32
21,00	30,80	31,00	7,00	A	*21X31X7	S	32	22,00	41,80	42,00	11,00	A	*22X42X11	S	32
21,00	31,80	32,00	5,00	A	*21X32X5	S	32								
21,00	32,80	33,00	7,00	A	*21X33X7	S	32	22,00	42,00	42,20	7,00	A	22X42X7	S	32
								22,00	42,00	42,20	10,00	A	22X42X10	S	35
21,00	35,00	35,20	7,00	A	21X35X7	S	32	22,00	43,80	44,00	7,00	A	*22X44X7	S	32
21,00	35,00	35,20	8,00	A	21X35X8	S	32	22,00	44,80	45,00	5,00	A	*22X45X5	S	32
21,00	36,00	36,20	8,00	A	*21X36X8	S	32	22,00	44,80	45,00	8,00	A	*22X45X8	S	32
								22,00	44,80	45,00	10,00	A	*22X45X10	S	32
21,00	36,80	37,00	5,50	A	*21X37X5.5	S	32								
21,00	36,80	37,00	7,00	A	*21X37X7	S	32	22,00	45,00	45,20	8,00	A	222267	H	32
								22,00	45,00	45,23	7,00	A	22X45X7	S	35
21,00	37,00	37,20	8,00	A	*21X37X8	S	32	22,00	46,00	46,20	8,00	A	*22X46X8	S	32
21,00	38,00	38,20	8,00	A	*21X38X8	S	32								
								22,00	46,80	47,00	10,00	A	*22X47X10	S	32
21,00	39,80	40,00	7,00	A	*21X40X7	S	32								
								22,00	47,00	47,23	7,00	A	222270	S	35
21,00	40,00	40,20	8,00	A	*21X40X8	S	32	22,00	47,00	47,23	7,00	A	22X47X7	S	35
21,00	52,00	52,20	8,00	A	*21X52X8	S	32								
21,50	34,80	35,00	8,00	A	*21.5X35X8	S	32	22,00	47,80	48,00	7,00	A	*22X48X7	S	32
21,70	34,80	35,00	6,50	A	*21.7X35X6.5	S	32	22,00	47,80	48,00	11,00	A	*22X48X11	S	32
22,00	28,00	28,20	8,00	A	*22X28X8	S	32	22,00	48,00	48,20	8,00	A	*22X48X8	S	32
22,00	29,80	30,00	7,00	A	*22X30X7	S	32	22,00	49,80	50,00	5,00	A	*22X50X5	S	32
22,00	29,80	30,00	8,00	A	*22X30X8	S	32	22,00	49,80	50,00	10,00	A	*22X50X10	S	32
22,00	30,80	31,00	7,00	A	*22X31X7	S	32								
								22,00	50,00	50,20	8,00	A	*22X50X8	S	32
22,00	31,00	31,20	6,00	A	22X31X6	S	32								
22,00	31,00	31,20	8,00	A	*22X31X8	S	32	22,00	51,75	52,00	10,00	A	*22X52X10	S	32
22,00	31,80	32,00	5,00	A	*22X32X5	S	32	22,00	52,00	52,20	8,00	A	*22X52X8	S	32
22,00	31,80	32,00	6,00	A	*22X32X6	S	32								
								22,00	55,75	56,00	7,00	A	*22X56X7	S	32
22,00	32,00	32,20	7,00	A	*22X32X7V	V	35								
22,00	32,00	32,23	7,00	A	222210	S	35	23,00	31,80	32,00	5,50	A	710254	S	34
22,00	32,00	32,23	7,00	A	22X32X7	S	35	23,00	32,00	32,20	5,00	A	222310	S	34
								23,00	34,00	34,23	6,50	A	710155	S	35
22,00	32,80	33,00	7,00	A	*22X33X7	S	32	23,00	34,00	34,23	8,00	A	222330	N	32
22,00	32,80	33,00	10,00	A	*22X33X10	S	32	23,00	35,00	35,20	7,00	A	*713033	V	#
22,00	33,80	34,00	7,00	A	*22X34X7	S	32	23,00	35,00	35,20	8,50	A	*713020	N	25
22,00	34,80	35,00	5,00	A	*22X35X5	S	32								

For Illustration and Material Data See Technical Section

Designed For A Specific Application - Not Recommended For General Use
 ◀ Hydrodynamic Lip Design-CW
 ▶ Hydrodynamic Lip Design-CCW

* Call 1-800-480-1212 For Price and Delivery

Shaft Size	Hsg. Bore	Seal O.D.	Seal Width	Grp.	Part No.	Lip Mat'l	Illus./ Type	Shaft Size	Hsg. Bore	Seal O.D.	Seal Width	Grp.	Part No.	Lip Mat'l	Illus./ Type
23,00	40,00	40,23	7,00	A	222340➔	N	32	25,00	31,80	32,00	4,00	A	*25X32X4	S	32
23,00	31,80	32,00	7,00	A	*23X32X7	S	32	25,00	31,80	32,00	6,00	A	*25X32X6	S	32
23,00	34,80	35,00	7,00	A	*23X35X7	S	32	25,00	31,80	32,00	7,00	A	*25X32X7	S	32
23,00	35,80	36,00	6,00	A	*23X36X6	S	32	25,00	32,80	33,00	6,00	A	*25X33X6	S	32
23,00	35,80	36,00	7,00	A	*23X36X7	S	32	25,00	33,80	34,00	5,00	A	*25X34X5	S	32
23,00	35,80	36,00	10,00	A	*23X36X10	S	32	25,00	34,80	35,00	5,00	A	*25X35X5	S	32
23,00	35,80	36,00	13,00	A	*23X36X13	S	32	25,00	34,80	35,00	8,00	A	*25X35X8	S	32
23,00	36,80	37,00	7,00	A	*23X37X7	S	32	25,00	34,80	35,00	8,50	A	*25X35X8.5	S	32
23,00	37,80	38,00	7,00	A	*23X38X7	S	32	25,00	34,80	35,00	9,00	A	*25X35X9	S	32
23,00	39,80	40,00	6,00	A	*23X40X6	S	32	25,00	34,80	35,00	10,00	A	*25X35X10	S	32
23,00	39,80	40,00	10,00	A	*23X40X10	S	32	25,00	35,00	35,10	7,00	A	*25X35X7V	V	48
23,00	40,00	40,10	7,50	A	*713030	N	45	25,00	35,00	35,20	6,00	A	25X35X6	S	32
23,00	41,80	42,00	7,00	A	*23X42X7	S	32	25,00	35,00	35,25	7,00	A	25X35X7	S	35
23,00	42,80	43,00	8,00	A	*23X43X8	S	32	25,00	35,00	35,25	7,00	A	222510	S	35
23,00	46,80	47,00	7,00	A	*23X47X7	S	32	25,00	35,00	35,25	7,00	A	712007	V	48
23,00	46,80	47,00	8,00	A	*23X47X8	S	32	25,00	35,80	36,00	6,00	A	*25X36X6	S	32
23,00	46,80	47,00	10,00	A	*23X47X10	S	32	25,00	36,00	36,23	7,00	A	25X36X7	S	32
24,00	31,80	32,00	4,00	A	*24X32X4	S	32	25,00	36,00	36,22	8,00	A	25X36X8	S	35
24,00	31,80	32,00	7,00	A	*24X32X7	S	32	25,00	36,80	37,00	5,00	A	*25X37X5	S	32
24,00	32,80	33,00	7,00	A	*24X33X7	S	32	25,00	36,80	37,00	6,00	A	*25X37X6	S	32
24,00	33,80	34,00	7,00	A	*24X34X7	S	32	25,00	36,80	37,00	8,00	A	*25X37X8	S	32
24,00	34,80	35,00	6,00	A	*24X35X6	S	32	25,00	37,00	37,20	5,00	A	*25X37X5V	V	35
24,00	34,80	35,00	8,00	A	*24X35X8	S	32	25,00	37,00	37,20	7,00	A	25X37X7	S	32
24,00	35,00	35,23	7,00	A	222410	S	35	25,00	37,00	37,26	7,00	A	320603➔	S	32
24,00	35,00	35,23	7,00	A	24X35X7	S	35	25,00	37,80	38,00	6,00	A	*25X38X6	S	32
24,00	35,80	36,00	7,00	A	*24X36X7	S	32	25,00	37,80	38,00	8,00	A	*25X38X8	S	32
24,00	35,80	36,00	8,00	A	*24X36X8	S	32	25,00	37,80	38,00	10,00	A	*25X38X10	S	32
24,00	36,00	36,20	7,00	A	*24X36X7V	V	35	25,00	38,00	38,20	7,00	A	*25X38X7V	V	35
24,00	37,00	37,23	7,00	A	24X37X7	S	35	25,00	38,00	38,23	7,00	A	25X38X7	S	35
24,00	37,80	38,00	8,00	A	*24X38X8	S	32	25,00	38,00	38,23	7,00	A	222535	S	32
24,00	37,80	38,00	8,50	A	*24X38X8.5	S	32	25,00	38,80	39,00	8,00	A	*25X39X8	S	32
24,00	37,80	38,00	10,00	A	*24X38X10	S	32	25,00	39,80	40,00	5,00	A	*25X40X5	S	32
24,00	38,00	38,20	7,00	A	24X38X7	S	32	25,00	39,80	40,00	6,00	A	*25X40X6	S	32
24,00	39,80	40,00	8,00	A	*24X40X8	S	32	25,00	39,80	40,00	6,00	A	*25X40X6	S	32
24,00	40,00	40,20	6,00	A	*24X40X6V	V	35	25,00	39,80	40,00	8,00	A	*25X40X8	S	32
24,00	40,00	40,23	7,00	A	222430	S	35	25,00	39,80	40,00	10,00	A	*25X40X10	S	32
24,00	40,00	40,23	7,00	A	24X40X7	S	35	25,00	39,80	40,00	11,00	A	*25X40X11	S	32
24,00	42,00	42,20	7,00	A	24X42X7	S	32	25,00	39,80	40,00	12,00	A	*25X40X12	S	32
24,00	42,00	42,25	8,00	A	*24X42X8	S	35	25,00	40,00	40,10	9,50	A	*450908	S	45
24,00	42,00	42,25	10,00	A	24X42X10	S	32	25,00	40,00	40,22	7,00	A	25X40X7	S	35
24,00	42,80	43,00	6,00	A	*24X43X6	S	32	25,00	40,00	40,20	7,00	A	*25X40X7V	V	35
24,00	42,80	43,00	7,00	A	*24X43X7	S	32	25,00	40,00	40,20	7,00	A	222540	S	47
24,00	43,00	43,23	8,00	A	222450	S	25	25,00	40,00	40,20	7,00	A	710307◀	N	32
24,00	44,80	45,00	6,00	A	*24X45X6	S	32	25,00	40,00	40,20	8,00	A	710316➔	S	32
24,00	44,80	45,00	7,00	A	*24X45X7	S	32	25,00	40,00	40,31	8,00	A	*324151	S	32
24,00	44,80	45,00	11,00	A	*24X45X11	S	32	25,00	40,00	40,31	8,00	A	*324151N	N	32
24,00	45,00	45,20	8,00	A	*24X45X8	S	32	24,99	40,54	40,64	6,35	A	712018	S	#
24,00	45,80	46,00	10,00	A	*24X46X10	S	32	25,00	40,80	41,00	6,00	A	*25X41X6	S	32
24,00	46,00	46,20	8,00	A	*24X46X8	S	32	25,00	40,80	41,00	7,00	A	*25X41X7	S	32
24,00	46,80	47,00	10,00	A	*24X47X10	S	32	25,00	41,00	41,09	8,00	A	39867◀	T	W-H
24,00	47,00	47,23	7,00	A	24X47X7	S	35	25,00	41,00	41,20	8,00	A	*25X41.2X8	S	32
24,00	47,80	48,00	7,00	A	*24X48X7	S	32	25,00	41,05	41,25	6,00	A	*25X41.25X6	S	32
24,00	48,00	48,20	8,00	A	*24X48X8	S	32	25,00	41,05	41,25	7,00	A	*25X41.25X7	S	32
24,00	48,80	49,00	12,00	A	*24X49X12	S	32	24,99	41,25	41,35	11,10	A	*450811	S	45
24,00	50,00	50,20	8,00	A	*24X50X8	S	32	25,00	41,30	41,50	7,00	A	*25X41.5X7	S	32
24,00	52,00	52,20	7,00	A	24X52X7	S	32	25,00	41,30	41,50	10,00	A	*25X41.5X10	S	32
24,00	76,72	77,00	18,00	A	*24X77X18	S	32	25,00	41,80	42,00	5,50	A	*25X42X5.5	S	32
								25,00	41,80	42,00	7,00	A	*25X42X7	S	32
								25,00	41,80	42,00	8,50	A	*25X42X8.5	S	32
								25,00	41,80	42,00	12,00	A	*25X42X12	S	32
								25,00	42,00	42,20	6,00	A	25X42X6	S	35
								25,00	42,00	42,20	7,00	A	*25X42X7V	V	32
								25,00	42,00	42,20	8,00	A	25X42X8	S	32
								25,00	42,00	42,30	8,00	A	222556➔	H	32

METRIC SECTION

For Illustration and Material Data See Technical Section

Designed For A Specific Application - Not Recommended For General Use ➔ Hydrodynamic Lip Design-CW ◀ Hydrodynamic Lip Design-CCW

* Call 1-800-480-1212 For Price and Delivery

Metric List Sizes & Type
NATIONAL®

Shaft Size	Hsg. Bore	Seal O.D.	Seal Width	Grp.	Part No.	Lip Mat'l	Illus./ Type	Shaft Size	Hsg. Bore	Seal O.D.	Seal Width	Grp.	Part No.	Lip Mat'l	Illus./ Type
25,00	42,00	42,28	10,00	A	25X42X10	S	35	25,00	71,75	72,00	8,00	A	*25X72X8	S	32
25,00	42,70	42,90	9,50	A	*25X42.9X9.5	S	32	25,00	79,72	80,00	10,00	A	*25X80X10	S	32
25,00	42,80	43,00	7,00	A	*25X43X7	S	32	25,50	38,50	38,70	8,50	A	710303	S	35
25,00	42,80	43,00	9,00	A	*25X43X9	S	32	25,70	34,80	35,00	7,00	A	*25.7X35X7	S	32
25,00	42,80	43,00	10,00	A	*25X43X10	S	32	26,00	34,80	35,00	7,00	A	*26X35X7	S	32
25,00	43,80	44,00	7,00	A	*25X44X7	S	32	26,00	35,80	36,00	5,00	A	*26X36X5	S	32
25,00	43,80	44,00	8,00	A	*25X44X8	S	32	26,00	35,80	36,00	7,00	A	*26X36X7	S	32
25,00	44,00	44,20	7,00	A	222558	S	32	26,00	36,80	37,00	8,00	A	*26X37X8	S	32
25,00	44,25	44,45	10,00	A	*25X44.45X10	S	32	26,00	37,00	37,20	7,00	A	26X37X7	S	32
25,00	44,80	45,00	7,00	A	*25X45X7	S	32	26,00	37,80	38,00	7,00	A	*26X38X7	S	32
25,00	44,80	45,00	9,00	A	*25X45X9	S	32	26,00	37,80	38,00	8,00	A	*26X38X8	S	32
25,00	44,80	45,00	10,00	A	*25X45X10	S	32	26,00	38,00	38,20	5,00	A	26X38X5	S	32
25,00	44,80	45,00	11,00	A	*25X45X11	S	32	26,00	38,00	38,20	8,00	A	222630	N	32
25,00	44,80	45,00	12,00	A	*25X45X12	S	32	26,00	39,80	40,00	8,00	A	*26X40X8	S	32
25,00	45,00	45,23	8,00	A	25X45X8	S	35	26,00	39,80	40,00	10,00	A	*26X40X10	S	32
25,00	46,00	46,20	7,00	A	25X46X7	S	32	26,00	40,00	40,20	7,00	A	26X40X7	S	32
25,00	46,00	46,20	8,00	A	*25X46X8	S	32	26,00	41,10	41,30	10,00	A	*26X41.3X10	S	32
25,00	46,80	47,00	6,00	A	*25X47X6	S	32	26,00	41,80	42,00	8,00	A	*26X42X8	S	32
25,00	46,80	47,00	8,00	A	*25X47X8	S	32	26,00	42,00	42,20	7,00	A	26X42X7	S	32
25,00	46,80	47,00	10,00	A	*25X47X10	S	32	26,00	42,00	42,20	8,00	A	710399	S	32
25,00	47,00	47,20	10,00	A	*713114	N	47	26,00	42,00	42,23	10,00	A	26X42X10	S	35
25,00	47,00	47,10	9,50	A	*482583	N	48	26,00	42,80	43,00	8,00	A	*26X43X8	S	32
25,00	47,00	47,20	10,00	A	*25X47X10V	V	35	26,00	43,80	44,00	7,00	A	*26X44X7	S	32
25,00	47,00	47,23	7,00	A	25X47X7	S	35	26,00	44,00	44,20	8,00	A	710153	S	#
25,00	47,80	48,00	7,00	A	*25X48X7	S	32	26,00	44,80	45,00	7,00	A	*26X45X7	S	32
25,00	47,80	48,00	10,00	A	*25X48X10	S	32	26,00	44,80	45,00	10,00	A	*26X45X10	S	32
25,00	48,00	48,20	8,00	A	25X48X8	S	32	26,00	45,00	45,20	8,00	A	*26X45X8	S	32
25,00	48,80	49,00	10,00	A	*25X49X10	S	32	26,00	46,00	46,20	8,00	A	*26X46X8	S	32
25,00	49,80	50,00	12,00	A	*25X50X12	S	32	26,00	46,80	47,00	6,00	A	*26X47X6	S	32
25,00	50,00	50,20	8,00	A	25X50X8	S	32	26,00	46,80	47,00	8,00	A	*26X47X8	S	32
25,00	50,00	50,20	10,00	A	*25X50X10V	V	35	26,00	46,80	47,00	10,00	A	*26X47X10	S	32
25,00	50,00	50,28	10,00	A	25X50X10	S	35	26,00	46,80	47,00	11,00	A	*26X47X11	S	32
25,00	51,75	52,00	9,50	A	*25X52X9.5	S	32	26,00	46,80	47,00	12,00	A	*26X47X12	S	32
25,00	51,75	52,00	12,00	A	*25X52X12	S	32	26,00	47,00	47,23	7,00	A	26X47X7	S	35
25,00	52,00	52,10	7,90	A	*472184	S	47	26,00	47,80	48,00	8,00	A	*26X48X8	S	32
25,00	52,00	52,20	7,00	A	*25X52X7V	V	35	26,00	48,00	48,23	7,00	A	26X48X7	S	32
25,00	52,00	52,20	8,00	A	25X52X8	S	35	26,00	48,00	48,23	7,00	A	222655	S	32
25,00	52,00	52,20	10,00	A	25X52X10	S	35	26,00	49,80	50,00	7,00	A	*26X50X7	S	32
25,00	52,00	52,27	7,00	A	25X52X7	S	35	26,00	49,80	50,00	10,00	A	*26X50X10	S	32
24,99	52,37	52,48	11,10	A	450693	S	45	26,00	50,00	50,20	8,00	A	*26X50X8	S	32
25,00	52,75	53,00	10,00	A	*25X53X10	S	32	26,00	51,75	52,00	7,00	A	*26X52X7	S	32
25,00	54,00	54,20	8,00	A	*25X54X8	S	32	26,00	52,00	52,20	8,00	A	26X52X8	S	32
25,00	54,75	55,00	10,00	A	*25X55X10	S	32	26,00	61,75	62,00	9,00	A	*26X62X9	S	32
25,00	54,75	55,00	12,00	A	*25X55X12	S	32	26,00	71,75	72,00	10,00	A	*26X72X10	S	32
25,00	55,00	55,20	8,00	A	*25X55X8	S	32	27,00	35,80	36,00	6,00	A	*27X36X6	S	32
25,00	56,00	56,20	8,00	A	*25X56X8	S	32	27,00	36,80	37,00	8,50	A	*27X37X8.5	S	32
25,00	57,75	58,00	10,00	A	*25X58X10	S	32	27,00	37,00	37,15	7,00	A	27X37X7	S	35
25,00	58,00	58,20	8,00	A	*25X58X8	S	32	27,00	37,00	37,20	7,00	A	*27X37X7V	V	35
25,00	59,75	60,00	10,00	A	*25X60X10	S	32	27,00	37,00	37,30	7,00	A	*713034	V	32
25,00	60,00	60,20	8,00	A	*25X60X8	S	32	27,00	37,80	38,00	5,00	A	*27X38X5	S	32
25,00	61,75	62,00	8,00	A	*25X62X8	S	32	27,00	37,80	38,00	6,00	A	*27X38X6	S	32
25,00	62,00	62,20	7,00	A	25X62X7	S	32	27,00	39,80	40,00	6,00	A	*27X40X6	S	32
25,00	62,00	62,20	7,00	A	*25X62X7V	V	35	27,00	39,80	40,00	7,00	A	*27X40X7	S	32
25,00	62,00	62,28	10,00	A	25X62X10	S	32	27,00	39,80	40,00	8,00	A	*27X40X8	S	32
25,00	62,00	62,28	10,00	A	222580	S	32	27,00	39,80	40,00	10,00	A	*27X40X10	S	32
25,00	64,75	65,00	10,00	A	*25X65X10	S	32	27,00	39,80	40,00	12,00	A	*27X40X12	S	32
25,00	65,75	66,00	8,50	A	*25X66X8.5	S	32								
25,00	69,75	70,00	10,00	A	*25X70X10	S	32								

For Illustration and Material Data See Technical Section

Designed For A Specific Application - Not Recommended For General Use
 ◆ Hydrodynamic Lip Design-CW
 * Call 1-800-480-1212 For Price and Delivery

Shaft Size	Hsg. Bore	Seal O.D.	Seal Width	Grp.	Part No.	Lip Mat'l	Illus./ Type	Shaft Size	Hsg. Bore	Seal O.D.	Seal Width	Grp.	Part No.	Lip Mat'l	Illus./ Type
27,00	40,00	40,20	8,00	A	712009	V	32	28,00	43,80	44,00	8,00	A	*28X44X8	S	32
27,00	41,00	41,10	9,50	A	*1193	S	#	28,00	44,00	44,20	6,00	A	222835	N	32
27,00	41,80	42,00	5,00	A	*27X42X5	S	32	28,00	44,00	44,23	6,00	A	28X44X6	N	32
27,00	41,80	42,00	8,00	A	*27X42X8	S	32	28,00	44,80	45,00	7,00	A	*28X45X7	S	32
27,00	42,00	42,10	7,00	A	222742	V	48	28,00	44,80	45,00	8,70	A	*28X45X8.7	S	32
27,00	42,00	42,20	7,00	A	27X42X7	S	35	28,00	44,80	45,00	10,00	A	*28X45X10	S	32
27,00	42,00	42,23	10,00	A	27X42X10	S	35	28,00	45,00	45,20	7,00	A	*28X45X7V	V	35
27,00	42,80	43,00	9,00	A	*27X43X9	S	32	28,00	45,00	45,20	8,00	A	28X45X8	S	32
27,00	43,00	43,20	8,00	A	27X43X8	S	32	28,00	46,00	46,20	8,00	A	*28X46X8	S	32
27,00	43,00	43,20	9,00	A	222743◀	H	32	28,00	46,80	47,00	6,00	A	*28X47X6	S	32
27,00	43,00	43,25	9,00	A	1990▶	N	32	28,00	46,80	47,00	9,00	A	*28X47X9	S	32
27,00	45,00	45,25	8,00	A	27X45X8	S	35	28,00	46,80	47,00	10,00	A	*28X47X10	S	32
27,00	45,00	45,25	9,00	A	222745▶	N	32	28,00	46,89	47,00	8,00	A	*333860	S	33
27,00	46,00	46,20	8,00	A	*27X46X8	S	32	28,00	47,00	47,20	7,00	A	*28X47X7V	V	35
27,00	46,80	47,00	7,00	A	*27X47X7	S	32	28,00	47,00	47,22	7,00	A	28X47X7	S	35
27,00	47,00	47,23	8,00	A	*27X47X8	S	35	28,00	47,00	47,22	8,00	A	*28X47X8	S	33
27,00	47,00	47,23	10,00	A	27X47X10	S	35	28,00	47,00	47,22	8,00	A	222860▶	N	32
27,00	48,00	48,20	8,00	A	*27X48X8	S	32	28,00	47,00	47,30	8,00	A	*713035	V	32
27,00	49,80	50,00	10,00	A	*27X50X10	S	32	28,00	47,00	47,30	8,00	A	*713036	V	35
27,00	50,00	50,20	8,00	A	*27X50X8	S	32	28,00	47,80	48,00	7,00	A	*28X48X7	S	32
27,00	52,00	52,20	8,00	A	27X52X8	S	35	28,00	47,80	48,00	11,00	A	*28X48X11	S	32
27,00	52,75	53,00	7,00	A	*27X53X7	S	32	28,00	48,00	48,20	8,00	A	28X48X8	S	32
27,60	39,80	40,00	5,50	A	*27.6X40X5.5	S	32	28,00	48,00	48,30	8,00	A	*713037	N	48
28,00	-	47,00	8,00	A	*713115	V	32	28,00	49,80	50,00	10,00	A	*28X50X10	S	32
28,00	34,80	35,00	5,00	A	*28X35X5	S	32	28,00	50,00	50,20	8,00	A	*28X50X8	S	32
28,00	34,80	35,00	7,00	A	*28X35X7	S	32	28,00	50,75	51,00	10,00	A	*28X51X10	S	32
28,00	34,80	35,00	10,00	A	*28X35X10	S	32	28,00	51,75	52,00	6,00	A	*28X52X6	S	32
28,00	35,80	36,00	7,00	A	*28X36X7	S	32	28,00	51,75	52,00	8,00	A	*28X52X8	S	32
28,00	37,80	38,00	5,00	A	*28X38X5	S	32	28,00	51,75	52,00	10,00	A	*28X52X10	S	32
28,00	37,80	38,00	8,00	A	*28X38X8	S	32	28,00	52,00	52,20	7,00	A	*28X52X7V	V	32
28,00	38,00	38,20	7,00	A	*713087	N	35	28,00	52,00	52,23	7,00	A	28X52X7	S	35
28,00	38,00	38,20	10,00	A	710347◀	S	32	28,00	55,75	56,00	6,00	A	*28X56X6	S	32
28,00	38,00	38,23	7,00	A	28X38X7	S	35	28,00	55,75	56,00	7,00	A	*28X56X7	S	32
28,00	38,00	38,25	7,00	A	712104▶	T	PDW	28,00	57,75	58,00	6,00	A	*28X58X6	S	32
28,00	39,80	40,00	9,00	A	*28X40X9	S	32	28,00	57,75	58,00	10,00	A	*28X58X10	S	32
28,00	39,80	40,00	10,00	A	*28X40X10	S	32	28,00	61,75	62,00	10,00	A	*28X62X10	S	32
28,00	40,00	40,20	7,00	A	*28X40X7V	V	35	28,50	39,30	39,50	9,50	A	*28.5X39.5X9.5	S	32
28,00	40,00	40,20	7,00	A	710325▶	S	32	28,60	39,80	40,00	8,00	A	*28.6X40X8	S	32
28,00	40,00	40,20	8,00	A	28X40X8	S	32	28,60	43,00	43,15	6,50	A	1989	S	47
28,00	40,00	40,26	7,00	A	28X40X7	S	35	29,00	42,80	43,00	8,00	A	*29X43X8	S	32
28,00	40,00	40,31	7,00	A	*1107	S	33	29,00	43,80	44,00	7,00	A	*29X44X7	S	32
28,00	40,00	40,34	7,00	A	222820	S	33	29,00	44,80	45,00	9,00	A	*29X45X9	S	32
28,00	41,00	41,10	8,00	A	39869▶	T	#	29,00	45,00	45,23	8,00	A	320595	S	32
28,00	41,00	41,27	7,00	A	222830◀	N	32	29,00	45,80	46,00	10,00	A	*29X46X10	S	32
28,00	41,05	41,25	6,00	A	*28X41.25X6	S	32	29,00	46,80	47,00	8,00	A	*29X47X8	S	32
28,00	41,30	41,50	8,00	A	*28X41.5X8	S	32	29,00	46,80	47,00	10,00	A	*29X47X10	S	32
28,00	41,80	42,00	6,00	A	*28X42X6	S	32	29,00	49,80	50,00	10,00	A	*29X50X10	S	32
28,00	41,80	42,00	7,00	A	*28X42X7	S	32	29,00	55,75	56,00	10,00	A	*29X56X10	S	32
28,00	41,80	42,00	10,00	A	*28X42X10	S	32	29,00	61,95	62,20	9,00	A	*29X62.2X9	S	32
28,00	42,00	42,20	8,00	A	712008	H	32	30,00	36,80	37,00	6,00	A	*30X37X6	S	32
28,00	42,00	42,20	10,00	A	*28X42X10V	V	35	30,00	37,00	37,30	3,50	A	710401	S	#
28,00	42,00	42,23	8,00	A	28X42X8	S	35	30,00	37,80	38,00	5,00	A	*30X38X5	S	32
28,00	42,30	42,50	8,00	A	*28X42.5X8	S	32	30,00	37,80	38,00	6,00	A	*30X38X6	S	32
28,00	42,50	42,72	8,00	A	710216	S	35	30,00	37,80	38,00	7,00	A	*30X38X7	S	32
28,00	42,80	43,00	6,00	A	*28X43X6	S	32	30,00	39,80	40,00	5,00	A	*30X40X5	S	32
28,00	42,80	43,00	10,00	A	*28X43X10	S	32	30,00	39,80	40,00	8,00	A	*30X40X8	S	32
28,00	43,00	43,23	7,00	A	710157▶	S	32	30,00	39,80	40,00	10,00	A	*30X40X10	S	32
28,00	43,00	43,23	8,00	A	710119	N	32	30,00	39,80	40,00	12,00	A	*30X40X12	S	32
28,00	43,80	44,00	7,00	A	*28X44X7	S	32	30,00	40,00	40,20	7,00	A	*30X40X7V	V	32

METRIC SECTION

For Illustration and Material Data See Technical Section

Designed For A Specific Application - Not Recommended For General Use ▶ Hydrodynamic Lip Design-CW ◀ Hydrodynamic Lip Design-CCW

* Call 1-800-480-1212 For Price and Delivery

Metric List Sizes & Type

NATIONAL®



Shaft Size	Hsg. Bore	Seal O.D.	Seal Width	Grp.	Part No.	Lip Mat'l	Illus./ Type	Shaft Size	Hsg. Bore	Seal O.D.	Seal Width	Grp.	Part No.	Lip Mat'l	Illus./ Type
30,00	40,00	40,23	7,00	A	30X40X7	S	35	30,00	50,75	51,00	10,00	A	*30X51X10	S	32
30,00	40,00	40,23	7,00	A	223005	S	48	30,00	51,75	52,00	8,00	A	*30X52X8	S	32
30,00	40,00	40,25	7,00	A	1129	S	35	30,00	51,75	52,00	10,00	A	*30X52X10	S	32
30,00	40,80	41,00	7,00	A	*30X41X7	S	32	30,00	51,75	52,00	11,00	A	*30X52X11	S	32
30,00	41,80	42,00	4,50	A	*30X42X4.5	S	32	30,00	51,75	52,00	12,00	A	*30X52X12	S	32
30,00	41,80	42,00	8,00	A	*30X42X8	S	32	30,00	52,00	52,18	7,00	A	223035	S	35
30,00	41,80	42,00	10,00	A	*30X42X10	S	32	30,00	52,00	52,20	7,00	A	*713044	N	32
30,00	42,00	42,20	7,00	A	30X42X7	S	35	30,00	52,00	52,20	7,00	A	*713045	V	35
30,00	42,00	42,20	7,00	A	*30X42X7V	V	32	30,00	52,00	52,20	7,00	A	*713157	V	32
30,00	42,00	42,20	7,00	A	223010	S	32	30,00	52,00	52,20	10,00	A	*30X52X10V	V	32
30,00	42,00	42,27	7,00	A	1970	S	35	30,00	52,00	52,23	7,00	A	30X52X7	S	35
30,00	42,00	42,30	7,00	A	*713039	N	32	30,00	52,00	52,80	7,00	A	*713004	N	32
30,00	42,00	42,30	7,00	A	*713040	V	32	30,00	52,00	52,30	13,50	A	*713002	N	32
30,00	42,80	43,00	7,00	A	*30X43X7	S	32	30,00	53,75	54,00	9,00	A	*30X54X9	S	32
30,00	42,80	43,00	8,00	A	*30X43X8	S	32	30,00	54,00	54,20	9,00	A	710267	S	32
30,00	42,80	43,00	8,50	A	*30X43X8.5	S	32	30,00	54,75	55,00	8,00	A	*30X55X8	S	32
30,00	42,80	43,00	9,00	A	*30X43X9	S	32	30,00	54,75	55,00	11,00	A	*30X55X11	S	32
30,00	43,00	43,30	8,00	A	*713041	S	48	30,00	54,75	55,00	12,00	A	*30X55X12	S	32
30,00	43,00	43,30	8,00	A	*713042	N	32	30,00	55,00	55,20	7,00	A	30X55X7	S	47
30,00	43,00	44,00	8,00	A	*713003	V	32	30,00	55,00	55,20	10,00	A	*30X55X10V	V	32
30,00	43,80	44,00	9,00	A	*30X44X9	S	32	30,00	55,00	55,28	10,00	A	30X55X10	S	35
30,00	43,80	44,00	10,00	A	*30X44X10	S	32	30,00	55,75	56,00	10,00	A	*30X56X10	S	32
30,00	44,00	44,20	7,00	A	223012	N	32	30,00	55,75	56,00	12,00	A	*30X56X12	S	32
30,00	44,00	44,28	7,00	A	30X44X7	S	25	30,00	56,00	56,20	8,00	A	30X56X8	S	35
30,00	44,00	44,30	8,00	A	*713043	V	32	30,00	56,75	57,00	10,00	A	*30X57X10	S	32
30,00	44,30	44,50	7,00	A	*30X44.5X7	S	32	30,00	57,75	58,00	10,00	A	*30X58X10	S	32
30,00	44,80	45,00	6,00	A	*30X45X6	S	32	30,00	58,00	58,09	9,50	A	3907	N	57
30,00	44,80	45,00	7,00	A	*30X45X7	S	32	30,00	58,00	58,20	8,00	A	*30X58X8	S	32
30,00	44,80	45,00	10,00	A	*30X45X10	S	32	30,00	58,00	63,50	13,90	A	*3607	N	57
30,00	44,80	45,00	13,00	A	*30X45X13	S	32	30,00	59,75	60,00	7,00	A	*30X60X7	S	32
30,00	45,00	45,22	5,00	A	30X45X5	S	32	30,00	59,75	60,00	10,00	A	*30X60X10	S	32
30,00	45,00	45,20	6,00	A	223014	S	32	30,00	60,00	60,20	8,00	A	*30X60X8	S	32
30,00	45,00	45,20	8,00	A	30X45X8	S	32	30,00	61,75	62,00	5,00	A	*30X62X5	S	32
30,00	45,00	45,20	8,00	A	*30X45X8V	V	35	30,00	61,75	62,00	8,00	A	*30X62X8	S	32
30,00	45,00	45,20	8,00	A	710359	S	#	30,00	61,75	62,00	9,00	A	*30X62X9	S	32
30,00	45,00	45,20	15,00	A	2016	S	#	30,00	61,75	62,00	10,00	A	*30X62X10	S	32
30,00	45,00	45,23	8,00	A	1981	S	35	30,00	61,75	62,00	11,00	A	*30X62X11	S	32
30,00	45,80	46,00	8,00	A	*30X46X8	S	32	30,00	61,75	62,00	12,00	A	*30X62X12	S	32
30,00	46,00	46,20	7,00	A	30X46X7	S	32	30,00	62,00	62,10	7,00	A	*473049V	V	47
30,00	46,00	46,23	7,00	A	223018	S	32	30,00	62,00	62,10	9,50	A	*471353	S	47
30,00	46,00	46,30	8,00	A	712001	N	32	30,00	62,00	62,15	6,35	A	*43493	S	4S
30,00	46,80	47,00	5,00	A	*30X47X5	S	32	30,00	62,00	62,20	7,00	A	*30X62X7V	V	35
30,00	46,80	47,00	6,00	A	*30X47X6	S	32	30,00	62,00	62,28	7,00	A	30X62X7	S	35
30,00	46,80	47,00	8,00	A	*30X47X8	S	32	30,00	64,75	65,00	10,00	A	*30X65X10	S	32
30,00	46,80	47,00	10,00	A	*30X47X10	S	32	30,00	65,00	65,20	8,00	A	*30X65X8	S	32
30,00	47,00	47,25	8,00	A	*713116	N	48	30,00	65,00	65,23	34,00	A	710065	S	#
30,00	47,00	47,20	7,00	A	*30X47X7V	V	32	30,00	67,75	68,00	10,00	A	*30X68X10	S	32
30,00	47,00	47,25	7,00	A	30X47X7	S	35	30,00	68,00	68,20	8,00	A	*30X68X8	S	32
30,00	47,00	47,25	8,00	A	223020	S	35	30,00	70,00	70,20	8,00	A	*30X70X8	S	32
30,00	47,80	48,00	7,00	A	*30X48X7	S	32	30,00	71,75	72,00	8,00	A	*30X72X8	S	32
30,00	47,80	48,00	10,00	A	*30X48X10	S	32	30,00	72,00	72,14	9,50	A	*470442V	V	47
30,00	48,00	48,28	8,00	A	30X48X8	S	35	30,00	72,00	72,20	7,00	A	30X72X7	S	47
30,00	48,00	48,30	8,00	A	714619	S	35	30,00	72,00	72,20	8,00	A	*30X72X8V	V	32
30,00	48,30	48,50	8,00	A	*30X48.5X8	S	32	30,00	72,00	72,27	10,00	A	30X72X10	S	35
30,00	48,80	49,00	8,00	A	*30X49X8	S	32	30,00	74,75	75,00	9,00	A	*30X75X9	S	32
30,00	49,80	50,00	10,00	A	*30X50X10	S	32	30,00	74,75	75,00	10,00	A	*30X75X10	S	32
30,00	49,80	50,00	11,00	A	*30X50X11	S	32	30,00	76,72	77,00	9,00	A	*30X77X9	S	32
30,00	49,80	50,00	11,00	A	*30X50X11	S	32	30,00	76,72	77,00	10,00	A	*30X77X10	S	32
30,00	49,80	50,00	12,00	A	*30X50X12	S	32	30,00	79,72	80,00	10,00	A	*30X80X10	S	32
30,00	50,00	50,20	8,00	A	30X50X8	S	48	30,20	42,00	42,10	6,00	A	710340	V	44
30,00	50,00	50,20	10,00	A	*30X50X10V	V	35								
30,00	50,00	50,23	7,00	A	30X50X7	S	35								
30,00	50,00	50,23	7,00	A	223050	S	32								
30,00	50,00	52,20	13,50	A	*713038	N	32								

For Illustration and Material Data See Technical Section

Designed For A Specific Application - Not Recommended For General Use ➔ Hydrodynamic Lip Design-CW ◀ Hydrodynamic Lip Design-CCW

◀➔ Hydrodynamic Lip Design-Bidirectional * Call 1-800-480-1212 For Price and Delivery

Shaft Size	Hsg. Bore	Seal O.D.	Seal Width	Grp.	Part No.	Lip Mat'l	Illus./ Type	Shaft Size	Hsg. Bore	Seal O.D.	Seal Width	Grp.	Part No.	Lip Mat'l	Illus./ Type
30,50	51,75	52,00	8,00	A	*30.5X52X8	S	32	32,00	50,00	50,14	8,00	A	710164	V	48
31,00	42,00	42,20	8,00	A	710172	V	35	32,00	50,00	50,20	10,00	A	*32X50X10V	V	35
31,00	44,00	44,20	8,00	A	31X44X8	S	32	32,00	50,00	50,23	8,00	A	32X50X8	S	35
31,00	46,00	46,20	8,00	A	710332◀	N	32	32,00	50,00	50,23	8,00	A	223250▶	S	32
31,00	46,00	46,28	8,00	A	1121◀	V	32	32,00	50,00	50,23	8,00	A	710415▶	S	32
31,00	46,80	47,00	10,00	A	*31X47X10	S	32	32,00	51,75	52,00	8,00	A	*32X52X8	S	32
31,00	48,80	49,00	7,00	A	*31X49X7	S	32	32,00	51,75	52,00	10,00	A	*32X52X10	S	32
31,00	49,80	50,00	8,00	A	*31X50X8	S	32	32,00	51,75	52,00	11,00	A	*32X52X11	S	32
31,00	51,75	52,00	6,00	A	*31X52X6	S	32	32,00	51,75	52,00	12,00	A	*32X52X12	S	32
31,00	51,75	52,00	7,00	A	*31X52X7	S	32	32,00	52,00	52,20	7,00	A	*32X52X7V	V	35
32,00	39,80	40,00	7,00	A	*32X40X7	S	32	32,00	52,00	52,20	10,00	A	710306◀	S	32
32,00	39,80	40,00	10,00	A	*32X40X10	S	32	32,00	52,00	52,25	11,00	A	1167	N	32
32,00	40,00	40,15	5,00	A	223210	S	34	32,00	52,00	52,28	7,00	A	32X52X7	S	35
32,00	40,80	41,00	7,00	A	*32X41X7	S	32	32,00	52,00	52,28	7,00	A	223255	S	35
32,00	41,80	42,00	6,00	A	*32X42X6	S	32	32,00	52,00	52,28	11,00	A	223252◀	N	32
32,00	42,00	42,20	7,00	A	32X42X7	S	35	32,00	52,00	52,40	135,00	A	*713146	N	32
32,00	42,00	42,20	8,00	A	32X42X8	S	32	32,00	52,75	53,00	7,00	A	*32X53X7	S	32
32,00	42,00	42,20	8,00	A	710282	S	32	32,00	53,00	53,28	7,00	A	223253▶	N	32
32,00	42,00	42,20	10,00	A	223215◀	S	32	32,00	53,75	54,00	8,00	A	*32X54X8	S	32
32,00	43,00	43,20	7,00	A	32X43X7	S	32	32,00	54,00	54,20	10,00	A	2008&	S	#
32,00	43,00	43,20	7,00	A	710370	S	32	32,00	54,00	54,23	10,00	A	32X54X10	S	32
32,00	43,00	43,28	4,00	A	*4596	N	35	32,00	54,75	55,00	6,50	A	*32X55X6.5	S	32
32,00	43,80	44,00	5,00	A	*32X44X5	S	32	32,00	54,75	55,00	7,00	A	*32X55X7	S	32
32,00	43,80	44,00	6,00	A	*32X44X6	S	32	32,00	54,75	55,00	8,00	A	*32X55X8	S	32
32,00	43,80	44,00	7,00	A	*32X44X7	S	32	32,00	54,75	55,00	10,00	A	*32X55X10	S	32
32,00	43,80	44,00	8,00	A	*32X44X8	S	32	32,00	54,75	55,00	11,00	A	*32X55X11	S	32
32,00	43,80	44,00	8,00	A	*32X44X8	S	32	32,00	55,75	56,00	8,00	A	*32X56X8	S	32
32,00	43,80	44,00	9,00	A	*32X44X9	S	32	32,00	56,00	56,28	10,00	A	32X56X10	S	35
32,00	43,80	44,00	10,00	A	*32X44X10	S	32	32,00	57,75	58,00	10,00	A	*32X58X10	S	32
32,00	44,00	44,23	6,00	A	223220▶	N	32	32,00	57,75	58,00	12,00	A	*32X58X12	S	32
32,00	44,30	44,50	8,00	A	*32X44.5X8	S	32	32,00	58,00	58,20	8,00	A	32X58X8	S	32
32,00	44,30	44,50	10,00	A	*32X44.5X10	S	32	32,00	58,00	58,29	12,70	A	*1204	S	32
32,00	44,80	45,00	6,00	A	*32X45X6	S	32	32,00	60,00	60,20	8,00	A	32X60X8	S	32
32,00	44,80	45,00	6,50	A	*32X45X6.5	S	32	32,00	60,00	60,20	10,00	A	32X60X10	S	48
32,00	44,80	45,00	8,00	A	*32X45X8	S	32	32,00	61,75	62,00	10,00	A	*32X62X10	S	32
32,00	44,80	45,00	10,00	A	*32X45X10	S	32	32,00	61,75	62,00	12,00	A	*32X62X12	S	32
32,00	45,00	45,21	6,00	A	320348▶	V	32	32,00	62,00	62,20	8,00	A	32X62X8	S	32
32,00	45,00	45,23	7,00	A	223230	S	32	32,00	64,75	65,00	7,50	A	*32X65X7.5	S	32
32,00	45,00	45,23	7,00	A	32X45X7	S	32	32,00	64,75	65,00	8,00	A	*32X65X8	S	32
32,00	45,80	46,00	7,00	A	*32X46X7	S	32	32,00	64,75	65,00	10,00	A	*32X65X10	S	32
32,00	45,80	46,00	8,00	A	*32X46X8	S	32	32,00	69,75	70,00	8,00	A	*32X70X8	S	32
32,00	46,00	46,20	6,00	A	*324115N	N	32	32,00	69,75	70,00	11,00	A	*32X70X11	S	32
32,00	46,00	46,23	6,00	A	32X46X6	S	32	32,00	71,75	72,00	10,00	A	*32X72X10	S	32
32,00	46,00	46,23	6,00	A	223235	N	32	32,00	72,00	72,20	8,00	A	32X72X8	S	32
32,00	46,80	47,00	6,00	A	*32X47X6	S	32	33,00	43,80	44,00	7,00	A	*33X44X7	S	32
32,00	46,80	47,00	8,00	A	*32X47X8	S	32	33,00	43,80	44,00	8,00	A	*33X44X8	S	32
32,00	46,80	47,00	10,00	A	*32X47X10	S	32	33,00	44,00	44,18	7,00	A	710070	S	47
32,00	47,00	47,20	6,00	A	710310▶	N	32	33,00	44,80	45,00	8,00	A	*33X45X8	S	32
32,00	47,00	47,20	7,00	A	*32X47X7V	V	32	33,00	44,80	45,00	10,00	A	*33X45X10	S	32
32,00	47,00	47,20	8,00	A	*580387▶	S	32	33,00	45,80	46,00	7,00	A	*33X46X7	S	32
32,00	47,00	47,23	7,00	A	32X47X7	S	35	32,99	46,43	46,53	9,53	A	6370N	N	33
32,00	47,00	47,24	10,00	A	3476▶	N	32	33,00	46,80	47,00	8,00	A	*33X47X8	S	32
32,00	47,80	48,00	7,00	A	*32X48X7	S	32	33,00	47,00	47,20	8,00	A	223340▶	S	32
32,00	47,80	48,00	10,00	A	*32X48X10	S	32	33,00	47,10	47,30	7,00	A	*33X47.3X7	S	32
32,00	48,00	48,20	7,00	A	710327▶	S	32	33,00	47,80	48,00	6,00	A	*33X48X6	S	32
32,00	48,00	48,20	8,00	A	32X48X8	S	35	33,00	47,80	48,00	8,00	A	*33X48X8	S	32
32,00	48,00	48,20	8,00	A	*32X48X8V	V	35	33,00	49,00	49,23	8,00	A	710236▶	N	32
31,50	48,00	48,20	9,00	A	223240	N	40	33,00	49,80	50,00	6,00	A	*33X50X6	S	32
32,00	48,00	48,20	10,00	A	710317◀	S	32	33,00	49,80	50,00	7,00	A	*33X50X7	S	32
32,00	49,80	50,00	7,00	A	*32X50X7	S	32								
32,00	49,80	50,00	10,00	A	*32X50X10	S	32								

METRIC SECTION

For Illustration and Material Data See Technical Section

Designed For A Specific Application - Not Recommended For General Use ▶ Hydrodynamic Lip Design-CW ◀ Hydrodynamic Lip Design-CCW & Flanged O.D.

* Call 1-800-480-1212 For Price and Delivery

Metric List Sizes & Type
NATIONAL®

Shaft Size	Hsg. Bore	Seal O.D.	Seal Width	Grp.	Part No.	Lip Mat'l	Illus./ Type	Shaft Size	Hsg. Bore	Seal O.D.	Seal Width	Grp.	Part No.	Lip Mat'l	Illus./ Type
33,00	49,80	50,00	10,00	A	*33X50X10	S	32	34,00	63,00	63,09	9,00	A	710109↔	N	40
33,00	50,00	50,20	7,00	A	710328	S	35	34,00	65,00	65,10	12,00	A	710151	S	47
33,00	50,00	50,25	12,00	A	33X50X12	S	32	34,00	69,75	70,00	10,00	A	*34X70X10	S	32
33,00	50,00	50,25	12,00	A	1168	S	32	34,00	71,75	72,00	10,00	A	*34X72X10	S	32
33,00	56,00	56,23	8,00	A	710132	N	#	34,00	71,75	72,00	12,00	A	*34X72X12	S	32
33,00	51,75	52,00	5,00	A	*33X52X5	S	32	34,50	71,00	71,10	42,00	A	710250	N	#
33,00	51,75	52,00	10,00	A	*33X52X10	S	32	35,00	41,80	42,00	6,00	A	*35X42X6	S	32
32,99	51,92	52,02	12,45	A	3348↔	S	47	35,00	41,80	42,00	8,00	A	*35X42X8	S	32
33,00	52,00	52,25	6,00	A	33X52X6	S	32	35,00	43,80	44,00	7,00	A	*35X44X7	S	32
33,00	54,75	55,00	10,00	A	*33X55X10	S	32	35,00	44,00	44,10	7,00	A	710383	S	47
33,00	55,75	56,00	10,00	A	*33X56X10	S	32	35,00	44,80	45,00	6,00	A	*35X45X6	S	32
33,00	55,75	56,00	12,00	A	*33X56X12	S	32	35,00	44,80	45,00	8,00	A	*35X45X8	S	32
33,00	59,00	59,20	17,00	A	710124	N	#	35,00	44,80	45,00	10,00	A	*35X45X10	S	32
33,00	61,75	62,00	7,00	A	*33X62X7	S	32	35,00	44,80	45,00	12,00	A	*35X45X12	S	32
33,00	71,75	72,00	10,00	A	*33X72X10	S	32	35,00	45,00	45,15	7,00	A	35X45X7	S	35
33,00	89,90	89,60	40,00	A	5210®	N	35	35,00	45,80	46,00	10,00	A	*35X46X10	S	32
34,00	41,80	42,00	5,00	A	*34X42X5	S	32	35,00	46,30	46,50	8,00	A	*35X46.5X8	S	32
34,00	43,80	44,00	7,00	A	*34X44X7	S	32	35,00	46,80	47,00	7,50	A	*35X47X7.5	S	32
34,00	43,80	44,00	8,00	A	*34X44X8	S	32	35,00	46,80	47,00	8,00	A	*35X47X8	S	32
34,00	44,00	44,23	8,00	A	223400	N	32	35,00	46,80	47,00	10,00	A	*35X47X10	S	32
34,00	45,00	45,20	8,00	A	34X45X8	S	32	35,00	47,00	47,20	7,00	A	*35X47X7V	V	32
34,00	45,80	46,00	8,00	A	*34X46X8	S	32	35,00	47,00	47,23	7,00	A	223510	S	35
34,00	46,80	47,00	8,00	A	*34X47X8	S	32	35,00	47,00	47,23	7,00	A	35X47X7	S	35
34,00	46,80	47,00	9,00	A	*34X47X9	S	32	35,00	47,00	47,40	7,00	A	1172➔	H	32
34,00	47,80	48,00	7,00	A	*34X48X7	S	32	35,00	47,80	48,00	7,00	A	*35X48X7	S	32
34,00	47,80	48,00	8,00	A	*34X48X8	S	32	35,00	47,80	48,00	9,00	A	*35X48X9	S	32
34,00	48,00	48,20	7,00	A	*580388➔	S	32	35,00	47,80	48,00	10,00	A	*35X48X10	S	32
34,00	48,00	48,28	7,50	A	710416	S	35	35,00	48,00	48,21	7,60	A	320249➔	V	32
34,00	48,00	48,28	7,50	A	223410	S	35	35,00	48,00	48,20	8,00	A	35X48X8	S	32
34,00	48,00	48,28	8,00	A	223420➔	N	32	35,00	48,00	48,20	8,00	A	714436	S	32
34,00	49,80	50,00	7,00	A	*34X50X7	S	32	35,00	48,00	48,25	14,00	A	1215	N	#
34,00	49,80	50,00	8,00	A	*34X50X8	S	32	35,00	48,00	48,25	14,00	A	1215N	N	#
34,00	49,80	50,00	10,00	A	*34X50X10	S	32	35,00	48,00	48,28	15,00	A	710051&	S	86
34,00	49,80	50,00	12,00	A	*34X50X12	S	32	35,00	48,00	48,40	7,00	A	1108➔	V	32
34,00	50,00	50,20	8,00	A	223430➔	N	35	35,00	48,00	48,80	2,00	A	*713005	N	47
34,00	50,00	50,20	8,00	A	710417	N	35	35,00	48,80	49,00	6,00	A	*35X49X6	S	32
34,00	51,75	52,00	10,00	A	*34X52X10	S	32	35,00	48,80	49,00	8,00	A	*35X49X8	S	32
34,00	51,75	52,00	11,00	A	*34X52X11	S	32	35,00	49,00	49,30	8,00	A	710178	S	#
34,00	52,00	52,28	8,00	A	34X52X8	S	32	35,00	49,21	49,63	6,00	A	1987	N	33
34,00	52,75	53,00	8,00	A	*34X53X8	S	32	35,00	49,30	49,50	10,00	A	*35X49.5X10	S	32
34,00	53,00	53,28	8,00	A	710418	N	32	35,00	49,60	49,83	11,00	A	1940➔	N	32
34,00	53,00	53,28	8,00	A	223440	N	32	35,00	49,80	50,00	9,00	A	*35X50X9	S	32
34,00	53,75	54,00	8,00	A	*34X54X8	S	32	35,00	49,80	50,00	10,00	A	*35X50X10	S	32
34,00	54,00	54,20	9,00	A	34X54X9	S	35	35,00	49,80	50,00	11,00	A	*35X50X11	S	32
34,00	54,00	54,25	9,00	A	710110↔	N	40	35,00	50,00	50,20	7,00	A	35X50X7	S	35
34,00	54,75	55,00	11,00	A	*34X55X11	S	32	35,00	50,00	50,20	8,00	A	*35X50X8V	V	32
34,00	55,00	55,20	9,00	A	34X55X9	S	32	35,00	50,00	50,20	8,00	A	710329↔	H	32
34,00	56,00	56,20	8,00	A	*34X56X8	S	32	35,00	50,00	50,20	11,00	A	710324↔	S	32
34,00	57,75	58,00	10,00	A	*34X58X10	S	32	35,00	50,00	50,24	8,00	A	35X50X8	S	35
34,00	58,00	58,20	8,00	A	*34X58X8	S	32	35,00	50,00	50,24	8,00	A	223520	S	35
34,00	60,00	60,20	8,00	A	*34X60X8	S	32	35,00	50,00	50,25	10,00	A	*1980➔	H	32
34,00	61,75	62,00	7,00	A	*34X62X7	S	32	35,00	50,00	50,24	12,00	A	*1169	N	32
34,00	61,75	62,00	14,00	A	*34X62X14	S	32	35,00	50,00	50,30	8,00	A	*713150	N	35
34,00	62,00	62,18	10,00	A	34X62X10	S	35	35,00	50,00	50,30	9,00	A	*713046	V	35
34,00	62,00	62,20	10,00	A	710422	S	35	35,00	50,00	50,28	11,50	A	710111↔	N	#
34,00	62,00	62,20	10,00	A	223462	S	35	35,00	50,00	50,34	7,00	A	3771➔	H	35
								35,00	50,00	50,34	7,00	A	713771➔	V	35
								35,00	50,00	50,80	10,00	A	*713006	N	47
								35,00	50,00	50,80	10,00	A	*713007	V	32
								35,00	50,75	51,00	7,00	A	*35X51X7	S	32
								35,00	50,75	51,00	8,00	A	*35X51X8	S	32
								35,00	50,75	51,00	10,00	A	*35X51X10	S	32
								35,00	51,75	52,00	9,00	A	*35X52X9	S	32

For Illustration and Material Data See Technical Section

Designed For A Specific Application - Not Recommended For General Use ➔ Hydrodynamic Lip Design-CW ↔ Hydrodynamic Lip Design-CCW

↔ Hydrodynamic Lip Design-Bidirectional © Seal & Installation Sleeve & Flanged O.D. * Call 1-800-480-1212 For Price and Delivery

Shaft Size	Hsg. Bore	Seal O.D.	Seal Width	Grp.	Part No.	Lip Mat'l	Illus./ Type	Shaft Size	Hsg. Bore	Seal O.D.	Seal Width	Grp.	Part No.	Lip Mat'l	Illus./ Type
35,00	51,75	52,00	10,00	A	*35X52X10	S	32	35,00	60,00	60,23	10,00	A	710424	S	35
35,00	51,75	52,00	11,00	A	*35X52X11	S	32	35,00	60,00	60,30	12,00	A	710201	S	47
35,00	51,75	52,00	12,00	A	*35X52X12	S	32								
								35,00	61,75	62,00	6,00	A	*35X62X6	S	32
35,00	52,00	52,10	7,90	A	*484063	S	48	35,00	61,75	62,00	8,00	A	*35X62X8	S	32
35,00	52,00	52,13	8,00	A	35X52X8	S	33	35,00	61,75	62,00	8,00	A	*35X62X8	S	32
35,00	52,00	52,13	8,00	A	223535	S	33	35,00	61,75	62,00	9,50	A	*35X62X9.5	S	32
35,00	52,00	52,13	8,00	A	*4052	N	47	35,00	61,75	62,00	11,00	A	*35X62X11	S	32
35,00	52,00	52,13	8,50	A	*1077	S	33	35,00	61,75	62,00	12,00	A	*35X62X12	S	32
35,00	52,00	52,20	7,00	A	35X52X7	S	35								
35,00	52,00	52,25	10,00	A	1170	S	32	35,00	62,00	62,20	7,00	A	*35X62X7V	V	35
35,00	52,00	52,35	7,75	A	3655	N	32	35,00	62,00	62,20	10,00	A	35X62X10	S	35
35,00	52,00	52,35	7,75	A	713655	N	32	35,00	62,00	62,28	7,00	A	35X62X7	S	35
35,00	53,26	53,67	7,75	A	4040N	N	32	35,00	62,00	62,28	8,00	A	4901	N	40
								35,00	62,00	62,28	9,00	A	223553	N	40
35,00	53,75	54,00	10,00	A	*35X54X10	S	32	35,00	62,00	62,28	9,50	A	223552	S	32
								35,00	63,00	63,20	9,00	A	710138	S	40
35,00	54,00	54,10	8,00	A	710217	S	#	35,00	63,00	63,28	10,00	A	710419	S	#
35,00	54,00	54,10	9,00	A	710199	N	#	35,00	63,00	63,28	10,00	A	223554	S	#
35,00	54,00	54,20	8,00	A	35X54X8	S	35	35,00	63,45	63,55	7,92	A	*6952S	S	#
35,00	54,00	54,20	8,00	A	710331	V	32	35,00	63,50	63,83	11,05	A	7687S	S	#
35,00	54,00	54,20	10,00	A	*35X54X10V	V	35								
35,00	54,00	54,30	8,00	A	1119	V	32	35,00	63,75	64,00	12,00	A	*35X64X12	S	32
								35,00	63,75	64,00	13,00	A	*35X64X13	S	32
35,00	54,75	55,00	7,00	A	*35X55X7	S	32								
35,00	54,75	55,00	9,00	A	*35X55X9	S	32	35,00	64,00	64,13	8,00	A	35X64X8	N	47
35,00	54,75	55,00	10,00	A	*35X55X10	S	32	35,00	64,00	64,13	8,00	A	223555	N	47
35,00	54,75	55,00	12,00	A	*35X55X12	S	32	35,00	64,00	64,14	9,50	A	*474125N	N	47
35,00	54,89	55,04	14,66	A	3543	H	57	35,00	64,75	65,00	12,00	A	*35X65X12	S	32
35,00	55,00	55,18	8,00	A	473823	S	47								
35,00	55,00	55,20	10,00	A	*35X55X10V	V	32	35,00	65,00	65,20	8,00	A	35X65X8	S	32
35,00	55,00	55,20	10,00	A	*713117	N	47	35,00	65,00	65,20	10,00	A	35X65X10	S	32
35,00	55,00	55,10	8,00	A	35X55X8	S	47	35,00	65,00	65,20	12,00	A	710335	S	32
35,00	55,00	55,23	11,00	A	35X55X11	S	32	35,00	67,00	67,27	12,00	A	1173	N	32
35,00	55,00	55,23	11,00	A	223542	N	32								
35,00	55,00	55,30	11,00	A	*1171	S	32	35,00	67,75	68,00	6,00	A	*35X68X6	S	32
35,00	55,00	55,45	8,00	A	223540	N	32								
								35,00	68,00	68,16	9,00	A	223580	S	40
35,00	55,75	56,00	5,80	A	*35X56X5.8	S	32	35,00	68,00	68,20	9,00	A	710336	N	40
35,00	55,75	56,00	12,00	A	*35X56X12	S	32	35,00	68,00	68,20	10,00	A	*35X68X10V	V	35
								35,00	68,00	68,23	10,00	A	*35X68X10	S	35
35,00	56,00	56,10	16,00	A	710218	V	#	35,00	68,00	68,23	12,50	A	*1140	N	32
35,00	56,00	56,20	8,00	A	35X56X8	S	35	35,00	69,00	69,20	8,00	A	*35X69X8	S	32
35,00	56,00	56,20	8,00	A	710314	N	40								
35,00	56,00	56,20	8,00	A	710315	S	40	35,00	69,75	70,00	10,00	A	*35X70X10	S	32
35,00	56,00	56,20	9,00	A	710396	S	40								
35,00	56,00	56,20	10,00	A	*35X56X10V	V	35	35,00	70,00	70,20	8,00	A	35X70X8	S	32
35,00	56,00	56,27	10,00	A	35X56X10	S	32								
35,00	56,00	56,27	10,00	A	223543	S	32	35,00	71,75	72,00	7,00	A	*35X72X7	S	32
35,00	56,00	56,27	10,00	A	*320857	S	32	35,00	71,75	72,00	11,00	A	*35X72X11	S	32
35,00	56,00	56,30	9,00	A	2007	S	#	35,00	71,75	72,00	12,00	A	*35X72X12	S	32
35,00	56,00	56,30	9,00	A	2007N	S	#								
								35,00	72,00	72,20	8,00	A	35X72X8	S	32
35,00	56,75	57,00	9,00	A	*35X57X9	S	32	35,00	72,00	72,20	10,00	A	*35X72X10V	V	35
35,00	56,75	57,00	10,00	A	*35X57X10	S	32	35,00	72,00	72,28	10,00	A	35X72X10	S	35
								35,00	72,00	72,28	10,00	A	710360	S	35
35,00	56,90	57,05	18,64	A	*4150N	N	#	35,00	74,75	75,00	8,00	A	*35X75X8	S	32
35,00	56,90	57,05	19,41	A	710096	N	74								
35,00	57,00	57,30	15,27	A	100165	S	#	35,00	76,00	76,28	9,00	A	1147	N	32
								35,00	76,00	76,30	12,50	A	1136	N	30
35,00	57,75	58,00	9,00	A	*35X58X9	S	32	35,00	78,00	78,20	8,00	A	*35X78X8	S	32
35,00	57,75	58,00	12,00	A	*35X58X12	S	32								
35,00	57,75	58,00	13,00	A	*35X58X13	S	32	35,00	79,72	80,00	10,00	A	*35X80X10	S	32
35,00	57,75	58,00	18,00	A	*35X58X18	S	32	35,00	79,72	80,00	12,00	A	*35X80X12	S	32
								35,00	79,72	80,00	13,00	A	*35X80X13	S	32
35,00	58,00	58,10	10,00	A	223550	S	45	35,00	80,00	80,20	8,00	A	35X80X8	S	32
35,00	58,00	58,14	11,90	A	*1086	S	33								
35,00	58,00	58,28	10,00	A	35X58X10	S	35	35,00	81,72	82,00	7,00	A	*35X82X7	S	32
35,00	58,00	58,80	10,00	A	*713008	N	47								
35,00	58,00	58,80	10,00	A	*713009	N	32	36,00	43,80	44,00	5,00	A	*36X44X5	S	32
35,00	58,75	59,00	12,00	A	*35X59X12	S	32	36,00	44,00	44,23	5,00	A	710252	S	32
35,00	59,75	60,00	8,00	A	*35X60X8	S	32								
35,00	59,75	60,00	11,00	A	*35X60X11	S	32	36,00	45,80	46,00	6,00	A	*36X46X6	S	32
35,00	59,75	60,00	12,00	A	*35X60X12	S	32	36,00	45,80	46,00	9,00	A	*36X46X9	S	32
35,00	60,00	60,23	10,00	A	35X60X10	S	35	36,00	46,00	46,10	9,00	A	710343	S	33
35,00	60,00	60,23	10,00	A	223551	S	35								

METRIC SECTION

For Illustration and Material Data See Technical Section
 # Designed For A Specific Application - Not Recommended For General Use ➔ Hydrodynamic Lip Design-CW ◀ Hydrodynamic Lip Design-CCW
 ◀➔ Hydrodynamic Lip Design-Bidirectional * Call 1-800-480-1212 For Price and Delivery

Metric List Sizes & Type
NATIONAL®

Shaft Size	Hsg. Bore	Seal O.D.	Seal Width	Grp.	Part No.	Lip Mat'l	Illus./ Type	Shaft Size	Hsg. Bore	Seal O.D.	Seal Width	Grp.	Part No.	Lip Mat'l	Illus./ Type
36,00	46,80	47,00	8,00	A	*36X47X8	S	32	37,00	56,00	56,20	12,50	A	710259↔	V	32
36,00	47,00	47,20	7,00	A	36X47X7	S	35	37,00	56,75	57,00	10,00	A	*37X57X10	S	32
36,00	47,00	47,20	7,00	A	223601	S	35	37,00	57,75	58,00	7,00	A	*37X58X7	S	32
36,00	47,80	48,00	7,00	A	*36X48X7	S	32	37,00	57,75	58,00	10,00	A	*37X58X10	S	32
36,00	47,80	48,00	10,00	A	*36X48X10	S	32	37,00	57,75	58,00	13,00	A	*37X58X13	S	32
36,00	48,80	49,00	7,00	A	*36X49X7	S	32	37,00	58,00	58,10	10,00	A	710353➔	S	66
36,00	49,00	49,28	7,00	A	223602➔	N	32	37,00	62,00	62,23	10,00	A	710228	S	40
36,00	49,80	50,00	10,00	A	*36X50X10	S	32	37,00	63,75	64,00	13,00	A	*37X64X13	S	32
36,00	50,00	50,08	7,00	A	36X50X7	S	47	37,00	78,00	78,30	12,00	A	239134	S	#
36,00	50,00	50,08	7,00	A	223605	S	47	38,00	46,80	47,00	7,00	A	*38X47X7	S	32
36,00	50,00	50,08	7,00	A	*474097	S	47	38,00	47,00	47,10	7,00	A	223805	S	25
36,00	50,00	50,20	8,00	A	710341◀	S	32	38,00	47,00	47,25	8,00	A	*38X47X8	S	25
36,00	50,75	51,00	7,00	A	*36X51X7	S	32	38,00	47,80	48,00	6,00	A	*38X48X6	S	32
36,00	51,75	52,00	8,00	A	*36X52X8	S	32	38,00	47,80	48,00	7,00	A	*38X48X7	S	32
36,00	51,75	52,00	10,00	A	*36X52X10	S	32	38,00	47,80	48,00	10,00	A	*38X48X10	S	32
36,00	52,00	52,20	7,00	A	36X52X7	S	35	38,00	49,80	50,00	8,00	A	*38X50X8	S	32
36,00	52,00	52,20	7,00	A	*36X52X7V	V	32	38,00	49,80	50,00	10,00	A	*38X50X10	S	32
36,00	52,00	52,20	10,00	A	223608◀	S	32	38,00	50,00	50,20	7,00	A	*38X50X7V	V	35
36,00	53,75	54,00	7,00	A	*36X54X7	S	32	38,00	50,00	50,25	6,00	A	223802➔	N	32
36,00	53,75	54,00	10,00	A	*36X54X10	S	32	38,00	50,00	50,25	7,00	A	38X50X7	S	35
36,00	54,00	54,20	7,50	A	*36X54X8V	V	35	38,00	50,00	50,28	8,00	A	223801	S	32
36,00	54,00	54,20	7,50	A	36X54X7.5	S	35	38,00	50,00	50,28	10,50	A	223800➔	N	32
36,00	54,00	54,20	8,00	A	36X54X8	S	35	38,00	50,75	51,00	7,00	A	*38X51X7	S	32
36,00	54,00	54,28	7,00	A	710197	N	40	38,00	51,75	52,00	6,00	A	*38X52X6	S	32
36,00	54,00	54,28	7,50	A	223610	S	35	38,00	51,75	52,00	8,00	A	*38X52X8	S	32
36,00	54,75	55,00	10,00	A	*36X55X10	S	32	38,00	51,75	52,00	9,00	A	*38X52X9	S	32
36,00	54,75	55,00	12,00	A	*36X55X12	S	32	38,00	51,75	52,00	10,00	A	*38X52X10	S	32
36,00	55,00	55,09	6,50	A	2003	S	47	38,00	52,00	52,20	6,00	A	710309	S	#
36,00	55,00	55,09	6,50	A	2003N	S	47	38,00	52,00	52,20	7,00	A	38X52X7	S	32
36,00	55,00	55,09	6,50	A	*474113	S	47	38,00	52,00	52,20	7,00	A	*38X52X7V	V	35
36,00	55,00	55,12	9,50	A	*474121	S	47	38,00	52,00	52,20	9,00	A	239128	S	#
36,00	55,75	56,00	12,00	A	*36X56X12	S	32	38,00	52,00	52,25	6,00	A	1196	S	47
36,00	56,00	56,20	10,00	A	*713066	N	#	38,00	52,00	52,25	8,50	A	38X52X8.5	S	32
36,00	56,00	56,20	13,50	A	*713067	N	#	38,00	52,00	52,25	8,50	A	1174	S	32
36,00	56,00	56,25	10,00	A	36X56X10	S	35	38,00	52,00	52,30	8,00	A	*320833	S	32
36,00	56,00	56,80	9,00	A	*713010	V	25	38,00	52,00	52,30	10,00	A	1966➔	H	35
36,00	58,00	58,25	8,00	A	36X58X8	S	47	38,00	52,04	52,15	6,35	A	*713047	S	48
36,00	58,00	58,23	12,00	A	36X58X12	S	35	38,00	52,27	52,40	6,35	A	3357&	S	283
36,00	58,00	58,30	8,00	A	474288	S	47	38,00	52,27	52,40	6,35	A	482415	S	48
36,00	59,75	60,00	6,00	A	*36X60X6	S	32	38,00	52,35	52,60	6,00	A	*38X52.6X6	S	32
36,00	60,00	60,20	7,00	A	36X60X7	S	32	38,00	52,91	53,01	8,26	A	*293751	S	29
36,00	60,00	60,20	8,00	A	1965	V	48	38,00	53,00	53,20	8,00	A	38X53X8	S	32
36,00	61,75	62,00	10,00	A	*36X62X10	S	32	38,00	53,00	53,30	8,00	A	1120◀	V	32
36,00	62,00	62,28	7,00	A	36X62X7	S	32	38,00	54,00	54,10	25,00	A	39875➔	T	#
36,00	63,25	63,50	13,00	A	*36X63.5X13	S	32	38,00	54,00	54,18	7,00	A	38X54X7	S	48
36,00	64,00	64,20	11,00	A	710152	S	#	38,00	54,00	54,18	10,00	A	38X54X10	S	32
36,00	65,00	65,20	8,00	A	710057	S	48	38,00	54,00	54,20	10,00	A	*38X54X10V	V	35
36,00	68,00	68,18	8,00	A	223620➔	S	48	38,00	54,00	54,30	7,00	A	239146	S	48
36,00	68,00	68,28	10,00	A	36X68X10	S	35	38,00	54,75	55,00	6,00	A	*38X55X6	S	32
36,00	70,00	70,20	8,00	A	*36X70X8	S	32	38,00	54,75	55,00	8,00	A	*38X55X8	S	32
36,00	72,00	72,20	8,00	A	*36X72X8	S	32	38,00	54,75	55,00	9,00	A	*38X55X9	S	32
36,50	61,75	62,00	7,00	A	*36.5X62X7	S	32	38,00	54,75	55,00	10,00	A	*38X55X10	S	32
37,00	46,80	47,00	10,00	A	*37X47X10	S	32	38,00	55,00	55,23	7,00	A	38X55X7	N	35
37,00	50,00	50,25	6,00	A	223750➔	N	32	38,00	55,00	55,28	7,00	A	223830	N	35
37,00	50,50	50,70	7,00	A	710355➔	N	32	38,00	55,00	55,30	9,00	A	223831➔	N	32
37,00	52,00	52,15	6,00	A	710149	S	#	38,00	55,75	56,00	7,00	A	*38X56X7	S	32
37,00	52,00	52,28	8,00	A	37X52X8	S	35	38,00	55,75	56,00	12,00	A	*38X56X12	S	32
37,00	52,75	53,00	7,00	A	*37X53X7	S	32	38,00	56,00	56,20	10,00	A	*38X56X10V	V	35
37,00	54,75	55,00	8,00	A	*37X55X8	S	32	38,00	56,00	56,28	10,00	A	38X56X10	S	35
								38,00	56,00	56,30	13,50	A	*713048	N	47
								38,00	56,75	57,00	10,00	A	*38X57X10	S	32
								38,00	57,75	58,00	7,00	A	*38X58X7	S	32
								38,00	57,75	58,00	10,00	A	*38X58X10	S	32

For Illustration and Material Data See Technical Section

Designed For A Specific Application - Not Recommended For General Use ➔ Hydrodynamic Lip Design-CW ◀ Hydrodynamic Lip Design-CCW

↔ Hydrodynamic Lip Design-Bidirectional & Flanged O.D. * Call 1-800-480-1212 For Price and Delivery

Shaft Size	Hsg. Bore	Seal O.D.	Seal Width	Grp.	Part No.	Lip Mat'l	Illus./ Type	Shaft Size	Hsg. Bore	Seal O.D.	Seal Width	Grp.	Part No.	Lip Mat'l	Illus./ Type
38,00	57,75	58,00	11,00	A	*38X58X11	S	32	39,00	58,75	59,00	8,00	A	*39X59X8	S	32
38,00	58,00	58,10	11,00	A	710319	S	47	39,00	59,00	59,28	11,00	A	710214	N	40
38,00	58,00	58,11	8,00	A	38X58X8	S	47	39,00	59,00	59,30	11,00	A	710118	S	40
38,00	58,00	58,11	8,00	A	223840	S	47								
38,00	58,00	58,11	8,00	A	223842	V	48	39,00	64,75	65,00	8,00	A	*39X65X8	S	32
38,00	58,00	58,11	8,00	A	*474119	S	47								
38,00	58,00	58,20	10,00	A	710139	N	#	39,60	51,75	52,00	11,00	A	*39.6X52X11	S	32
38,00	58,00	58,25	11,00	A	1175	S	32	40,00	49,80	50,00	5,00	A	*40X50X5	S	32
38,00	59,00	59,30	9,00	A	1038	N	32	40,00	49,80	50,00	6,50	A	*40X50X6.5	S	32
								40,00	49,80	50,00	7,00	A	*40X50X7	S	32
38,00	59,75	60,00	9,00	A	*38X60X9	S	32	40,00	49,80	50,00	10,00	A	*40X50X10	S	32
38,00	60,00	60,20	8,00	A	38X60X8	S	32	40,00	50,00	50,20	8,00	A	40X50X8	S	35
38,00	60,00	60,20	10,00	A	*38X60X10V	V	35								
38,00	60,00	60,35	10,00	A	38X60X10	S	35	40,00	51,75	52,00	6,00	A	*40X52X6	S	32
38,00	60,00	60,35	10,00	A	223843	S	35	40,00	51,75	52,00	8,00	A	*40X52X8	S	32
								40,00	51,75	52,00	9,00	A	*40X52X9	S	32
38,00	60,25	60,50	12,00	A	*38X60.5X12	S	32	40,00	51,75	52,00	10,00	A	*40X52X10	S	32
38,00	61,75	62,00	9,00	A	*38X62X9	S	32								
38,00	61,75	62,00	10,00	A	*38X62X10	S	32	40,00	52,00	52,12	7,50	A	*3967	S	#
38,00	61,75	62,00	12,00	A	*38X62X12	S	32	40,00	52,00	52,12	8,00	A	*3609	S	47
								40,00	52,00	52,12	8,50	A	1962&	S	78
38,00	62,00	62,10	6,00	A	710224	S	49	40,00	52,00	52,20	6,00	A	710308	S	32
38,00	62,00	62,20	7,00	A	*38X62X7V	V	32	40,00	52,00	52,20	6,50	A	239201&	S	32
38,00	62,00	62,24	13,00	A	710209	N	#	40,00	52,00	52,20	7,00	A	*40X52X7V	V	32
38,00	62,00	62,28	7,00	A	38X62X7	S	35	40,00	52,00	52,22	9,00	A	4175	S	#
38,00	63,00	63,12	10,00	A	2009	N	#	40,00	52,00	52,25	6,00	A	1178	S	32
								40,00	52,00	52,25	7,00	A	40X52X7	S	35
38,00	63,25	63,50	10,00	A	*38X63.5X10	S	32	40,00	52,00	52,28	7,00	A	224010	S	35
38,00	64,75	65,00	10,00	A	*38X65X10	S	32	40,00	52,00	52,28	7,00	A	224015	S	32
38,00	64,75	65,00	11,00	A	*38X65X11	S	32	40,00	52,00	52,28	7,00	A	224052	H	32
38,00	64,75	65,00	13,00	A	*38X65X13	S	32	40,00	52,00	52,28	9,00	A	1217&	N	35
38,00	65,00	65,20	8,00	A	38X65X8	S	32	40,00	52,75	53,00	8,00	A	*40X53X8	S	32
38,00	65,00	65,20	8,00	A	710435	S	32	40,00	53,75	54,00	7,00	A	*40X54X7	S	32
38,00	65,00	65,27	12,00	A	1176	N	#	40,00	53,75	54,00	8,00	A	*40X54X8	S	32
38,00	68,00	68,20	8,00	A	38X68X8	S	32	40,00	53,75	54,00	10,00	A	*40X54X10	S	32
38,00	68,00	68,20	8,00	A	710165	S	#								
38,00	68,00	68,20	10,00	A	38X68X10	S	32	40,00	53,90	54,00	6,00	A	710444	S	32
38,00	70,00	70,20	10,00	A	38X70X10	S	35	40,00	54,00	54,10	5,50	A	1213	S	47
								40,00	54,00	54,10	5,50	A	1213N	S	47
38,00	71,75	72,00	12,00	A	*38X72X12	S	32	40,00	54,00	54,10	8,00	A	710311	S	25
								40,00	54,00	54,20	5,50	A	40X54X6	S	47
38,00	72,00	72,20	10,00	A	38X72X10	S	35	40,00	54,00	54,20	10,00	A	710287	N	32
38,00	74,00	74,20	8,00	A	38X74X8	S	32								
38,00	74,00	74,20	11,00	A	38X74X11	N	32	40,00	54,75	55,00	7,00	A	*40X55X7	S	32
38,00	74,00	74,27	11,00	A	1177	N	32	40,00	54,75	55,00	10,00	A	*40X55X10	S	32
38,00	74,00	74,27	11,00	A	*320834	S	32								
38,00	75,00	75,20	8,00	A	*38X75X8	S	32	40,00	54,89	55,00	13,00	A	710443	N	#
38,00	78,00	78,20	8,00	A	*38X78X8	S	32	40,00	55,00	55,09	8,00	A	473677	S	47
								40,00	55,00	55,09	8,00	A	*476677	S	47
38,00	79,72	80,00	10,00	A	*38X80X10	S	32	40,00	55,00	55,17	9,60	A	3392	S	47
								40,00	55,00	55,20	6,50	A	40X55X6	S	35
38,00	80,00	80,20	8,00	A	*38X80X8	S	32	40,00	55,00	55,20	7,00	A	*713155	V	32
38,00	90,00	90,20	8,00	A	*38X90X8	S	32	40,00	55,00	55,20	8,00	A	*40X55X8V	V	32
								40,00	55,00	55,28	8,00	A	40X55X8	S	35
38,50	53,00	53,23	8,00	A	710233	N	32	40,00	55,00	55,28	9,00	A	224020	S	32
38,50	58,00	58,20	8,50	A	710318	N	32								
								40,00	55,75	56,00	8,00	A	*40X56X8	S	32
39,00	50,00	50,29	11,00	A	710120	N	#	40,00	55,75	56,00	8,00	A	*40X56X8	S	32
39,00	50,50	50,75	8,50	A	1126	S	25	40,00	55,75	56,00	8,00	A	*40X56X8	S	32
								40,00	55,75	56,00	8,00	A	*40X56X8	S	32
39,00	50,75	51,00	7,50	A	*39X51X7.5	S	32								
								40,00	56,00	56,10	8,00	A	*713118	N	47
39,00	50,80	51,00	7,50	A	1128	S	35	40,00	56,00	56,20	7,00	A	40X56X7	S	32
39,00	52,00	52,10	6,00	A	710338	S	66	40,00	56,00	56,20	7,00	A	*713049	V	32
39,00	52,00	52,10	11,30	A	1205N	S	47	40,00	56,00	56,20	7,00	A	*713158	S	48
39,00	52,00	52,30	11,30	A	1205	S	47	40,00	56,00	56,20	7,00	A	*713159	S	41
39,00	54,00	54,10	6,00	A	710404	S	49	40,00	56,00	56,20	8,00	A	*40X56X8V	V	35
								40,00	56,00	56,20	9,00	A	710300	S	#
39,00	54,75	55,00	9,00	A	*39X55X9	S	32	40,00	56,00	56,20	10,00	A	40X56X10	S	35
								40,00	56,00	56,25	7,00	A	224025	N	32
39,00	55,00	55,11	7,50	A	710158	S	40	40,00	56,00	56,26	7,00	A	*350612	V	35
								40,00	56,00	56,26	8,00	A	712551	S	32
39,00	55,75	56,00	7,00	A	*39X56X7	S	32	40,00	56,00	56,26	9,00	A	224026	V	35
								40,00	56,00	56,26	9,00	A	713011	N	47
39,00	57,00	57,20	17,00	A	710123	N	40	40,00	56,00	56,26	10,00	A	*713012	V	32
39,00	57,00	57,20	21,50	A	710122	N	40								
39,00	57,00	57,38	9,65	A	324204	V	32								

METRIC SECTION

For Illustration and Material Data See Technical Section
 # Designed For A Specific Application - Not Recommended For General Use ➔ Hydrodynamic Lip Design-CW ◀ Hydrodynamic Lip Design-CCW
 ◀➔ Hydrodynamic Lip Design-Bidirectional & Flanged O.D. * Call 1-800-480-1212 For Price and Delivery

Metric List Sizes & Type
NATIONAL®

Shaft Size	Hsg. Bore	Seal O.D.	Seal Width	Grp.	Part No.	Lip Mat'l	Illus./ Type	Shaft Size	Hsg. Bore	Seal O.D.	Seal Width	Grp.	Part No.	Lip Mat'l	Illus./ Type
40,00	56,75	57,00	7,00	A	*40X57X7	S	32	40,00	73,75	74,00	10,00	A	*40X74X10	S	32
40,00	56,90	57,15	10,00	A	*40X57.15X10	S	32	40,00	74,00	74,12	10,00	A	474133	S	47
40,00	57,00	57,20	10,00	A	40X57X10	S	32	40,00	74,00	74,20	8,00	A	*40X74X8	S	32
40,00	57,00	57,20	10,00	A	710432	S	32	40,00	74,75	75,00	10,00	A	*40X75X10	S	32
40,00	57,75	58,00	6,50	A	*40X58X6.5	S	32	40,00	74,75	75,00	13,00	A	*40X75X13	S	32
40,00	58,00	58,14	9,00	A	3459◀▶	N	74	40,00	75,00	75,20	8,00	A	40X75X8	S	32
40,00	58,00	58,20	8,00	A	40X58X8	S	35	40,00	75,00	75,20	12,00	A	712011	S	32
40,00	58,00	58,20	10,00	A	*40X58X10V	V	35	40,00	75,00	75,26	12,00	A	2011▶	N	40
40,00	58,00	58,28	10,00	A	40X58X10	S	32	40,00	75,00	75,26	18,00	A	712020◀	N	32
40,00	58,00	58,30	10,00	A	*713154	N	48	40,00	75,00	75,30	12,00	A	*710050	S	32
40,00	58,75	59,00	10,00	A	*40X59X10	S	32	40,00	75,00	75,30	12,00	A	710113	S	#
40,00	59,75	60,00	7,00	A	*40X60X7	S	32	40,00	75,75	76,00	8,00	A	*40X76X8	S	32
40,00	59,75	60,00	12,00	A	*40X60X12	S	32	40,00	76,00	76,25	8,00	A	1036▶	S	40
40,00	60,00	60,20	8,00	A	710147	S	#	40,00	76,00	76,28	12,50	A	1146◀	N	32
40,00	60,00	60,20	10,00	A	224040	S	35	40,00	78,00	78,20	10,00	A	40X78X10	S	35
40,00	60,00	60,20	10,00	A	40X60X10	S	35	40,00	78,00	78,80	8,00	A	40X78X8	S	32
40,00	60,00	60,20	10,00	A	*40X60X10V	V	35	40,00	79,72	80,00	7,00	A	*40X80X7	S	32
40,00	60,00	60,20	10,00	A	*1078	S	33	40,00	79,72	80,00	12,00	A	*40X80X12	S	32
40,00	61,75	62,00	9,00	A	*40X62X9	S	32	40,00	80,00	80,20	10,00	A	*40X80X10V	V	32
40,00	61,75	62,00	10,00	A	*40X62X10	S	32	40,00	80,00	80,28	10,00	A	40X80X10	S	35
40,00	61,75	62,00	11,00	A	*40X62X11	S	32	40,00	80,22	80,50	10,00	A	*40X80.5X10	S	32
40,00	61,75	62,00	11,50	A	*40X62X11.5	S	32	40,00	82,00	82,20	8,00	A	*40X82X8	S	32
40,00	62,00	62,20	7,00	A	40X62X7	S	35	40,00	82,00	82,20	8,00	A	*40X82X8	S	32
40,00	62,00	62,20	7,00	A	*40X62X7V	V	32	40,00	85,00	85,20	8,00	A	*40X85X8	S	32
40,00	62,00	62,20	9,00	A	710131	S	#	40,00	88,00	88,20	8,00	A	*40X88X8	S	32
40,00	62,00	62,20	10,00	A	*713021	N	25	40,00	89,72	90,00	10,00	A	*40X90X10	S	32
40,00	62,00	62,25	8,00	A	40X62X8	S	32	40,00	89,72	90,00	12,00	A	*40X90X12	S	32
40,00	62,00	62,25	10,00	A	*1179	S	#	40,00	90,00	90,20	8,00	A	40X90X8	S	35
40,00	62,00	62,25	11,50	A	40X62X12	S	35	41,00	50,75	51,00	5,00	A	*41X51X5	S	32
40,00	62,00	62,27	10,00	A	710196	V	32	41,00	52,75	53,00	7,00	A	*41X53X7	S	32
40,00	62,00	62,27	11,00	A	224045	S	32	41,00	53,00	53,25	7,00	A	1950	S	41
40,00	62,00	62,30	6,50	A	710227	S	#	41,00	53,75	54,00	7,00	A	*41X54X7	S	32
40,00	62,25	62,50	11,00	A	*40X62.5X11	S	32	41,00	54,00	54,23	7,00	A	224150	N	35
40,00	62,75	63,00	7,00	A	*40X63X7	S	32	41,00	55,00	55,29	7,00	A	41X55X7	S	32
40,00	63,00	63,30	8,00	A	224063▶	N	32	41,00	55,00	55,29	7,00	A	1180	S	32
40,00	63,25	63,50	10,00	A	*40X63.5X10	S	32	41,00	55,45	55,70	9,00	A	*41X55.7X9	S	32
40,00	63,75	64,00	10,00	A	*40X64X10	S	32	41,00	56,00	56,25	7,00	A	41X56X7	S	35
40,00	63,75	64,00	12,00	A	*40X64X12	S	32	41,00	56,00	56,25	7,00	A	1181	S	35
40,00	64,00	64,00	11,98	A	1216&	N	74	41,00	59,00	59,10	10,00	A	710114▶	N	98
40,00	64,00	64,10	12,00	A	1216N&	N	74	41,00	61,00	61,20	10,00	A	710141◀	N	#
40,00	64,00	64,10	12,00	A	710326	S	66	41,00	62,00	62,20	8,00	A	*41X62X8	S	32
40,00	64,75	65,00	8,00	A	*40X65X8	S	32	41,00	62,00	62,23	9,00	A	710220▶	N	32
40,00	64,75	65,00	12,00	A	*40X65X12	S	32	41,00	63,00	63,20	9,00	A	710291◀	N	40
40,01	65,00	65,13	9,53	A	474161	S	47	41,00	63,75	64,00	10,00	A	*41X64X10	S	32
40,00	65,00	65,20	20,00	A	710134	S	#	41,00	68,00	68,20	13,00	A	710402	S	#
40,00	65,00	65,28	10,00	A	40X65X10	S	35	41,70	54,75	55,00	7,00	A	*41.7X55X7	S	32
40,00	65,00	65,28	10,00	A	224100	S	35	41,70	54,75	55,00	10,00	A	*41.7X55X10	S	32
40,00	66,00	66,30	8,00	A	224066▶	N	40	42,00	49,80	50,00	6,00	A	*42X50X6	S	32
40,00	67,75	68,00	7,00	A	*40X68X7	S	32	42,00	49,80	50,00	7,00	A	*42X50X7	S	32
40,00	67,75	68,00	10,00	A	*40X68X10	S	32	42,00	51,75	52,00	4,00	A	*42X52X4	S	32
40,00	68,00	68,10	9,00	A	224068	N	40	42,00	51,75	52,00	6,00	A	*42X52X6	S	32
40,00	68,00	68,25	12,00	A	40X68X12	S	35	42,00	51,75	52,00	7,00	A	*42X52X7	S	32
40,00	68,00	68,80	8,00	A	40X68X8	S	35	42,00	53,75	54,00	7,00	A	*42X54X7	S	32
40,00	69,75	70,00	10,00	A	*40X70X10	S	32	42,00	54,75	55,00	9,00	A	*42X55X9	S	32
40,00	69,75	70,00	12,00	A	*40X70X12	S	32	42,00	54,89	55,00	8,00	A	1214	S	47
40,00	70,00	70,20	8,00	A	40X70X8	S	32	42,00	54,89	55,00	8,00	A	1214N	S	47
40,00	71,75	72,00	10,00	A	*40X72X10	S	32	42,00	55,00	55,12	8,00	A	3051▶	H	33
40,00	71,75	72,00	12,00	A	*40X72X12	S	32	42,00	55,00	55,12	8,00	A	3051N▶	H	33
40,00	72,00	72,35	7,00	A	40X72X7	S	35	42,00	55,00	55,20	7,00	A	42X55X7	S	32
40,00	72,00	72,35	7,00	A	350572	V	35	42,00	55,00	55,20	7,50	A	224200	S	32
40,00	73,00	73,10	10,00	A	710284	N	#								

For Illustration and Material Data See Technical Section

Designed For A Specific Application - Not Recommended For General Use ▶ Hydrodynamic Lip Design-CW ◀ Hydrodynamic Lip Design-CCW

◀▶ Hydrodynamic Lip Design-Bidirectional & Flanged O.D. * Call 1-800-480-1212 For Price and Delivery

Shaft Size	Hsg. Bore	Seal O.D.	Seal Width	Grp.	Part No.	Lip Mat'l	Illus./ Type	Shaft Size	Hsg. Bore	Seal O.D.	Seal Width	Grp.	Part No.	Lip Mat'l	Illus./ Type
42,00	55,00	55,20	8,00	A	*42X55X8V	V	35	42,00	66,00	66,28	10,00	A	224266	S	32
42,00	55,00	55,28	8,00	A	224210	S	35	42,00	67,00	67,13	7,16	A	4615V➔	V	83
42,00	55,00	55,28	8,00	A	42X55X8	S	35	42,00	67,00	67,20	10,00	A	710286◄➔	N	32
42,00	55,00	55,33	9,00	A	224205➔	N	32	42,00	68,00	68,20	8,00	A	42X68X8	S	32
42,00	55,75	56,00	6,00	A	*42X56X6	S	32	42,00	68,00	68,20	10,00	A	42X68X10	S	32
42,00	55,75	56,00	10,00	A	*42X56X10	S	32	42,00	69,75	70,00	8,00	A	*42X70X8	S	32
42,00	56,00	56,10	14,00	A	710221	N	#	42,00	69,75	70,00	12,00	A	*42X70X12	S	32
42,00	56,00	56,13	7,00	A	42X56X7	S	32	42,00	70,00	70,20	10,00	A	42X70X10	S	32
42,00	56,00	56,13	7,00	A	*1944➔	H	32	42,00	72,00	72,20	8,00	A	42X72X8	S	32
42,00	56,00	56,16	7,00	A	473560N➔	N	47	42,00	72,00	72,20	10,00	A	*42X72X10V	V	35
42,00	56,00	56,21	6,00	A	710097	S	#	42,00	72,00	72,27	10,00	A	42X72X10	S	32
42,00	56,00	56,20	7,00	A	*42X56X7V	V	35	42,00	72,00	72,27	10,00	A	224270	S	35
42,00	56,00	56,21	7,00	A	224220	S	49	42,00	72,00	72,28	10,00	A	710207	S	40
42,00	56,00	56,20	7,00	A	710386➔	H	32	42,00	74,00	74,30	10,00	A	*713120	S	#
42,00	56,00	56,28	7,00	A	494117	S	49	42,00	74,75	75,00	10,00	A	*42X75X10	S	32
42,00	56,00	56,30	7,00	A	*713050	V	32	42,00	74,75	75,00	12,00	A	*42X75X12	S	32
42,00	56,00	56,34	7,00	A	3774➔	H	35	42,00	75,00	75,20	8,00	A	*42X75X8	S	32
42,00	56,00	56,80	7,00	A	*713013	S	25	42,00	75,75	76,00	12,00	A	*42X76X12	S	32
42,00	56,30	56,44	8,00	A	710186	S	#	42,00	76,00	76,10	14,00	A	710245➔	N	#
42,00	56,50	56,70	8,00	A	710244	S	#	42,00	76,00	76,28	12,00	A	710195	S	40
42,00	57,15	57,35	10,00	A	*713014	S	48	42,00	77,72	78,00	10,00	A	*42X78X10	S	32
42,00	57,75	58,00	8,00	A	*42X58X8	S	32	42,00	78,00	78,20	8,00	A	*42X78X8	S	32
42,00	57,75	58,00	10,00	A	*42X58X10	S	32	42,00	80,00	80,20	8,00	A	42X80X8	S	32
42,00	58,00	58,10	7,00	A	42X58X7	S	48	42,00	80,00	80,20	10,00	A	42X80X10	S	35
42,00	58,00	58,10	10,00	A	*2000	S	33	42,00	90,00	90,09	9,00	A	710133	N	#
42,00	58,00	58,17	7,00	A	474241V➔	V	47	42,00	90,00	90,28	12,00	A	710246	N	#
42,00	58,00	58,18	7,00	A	224235	S	48	42,90	61,75	62,00	8,00	A	*42.9X62X8	S	32
42,00	58,00	58,28	8,00	A	224215◄	N	32	43,00	49,80	50,00	7,00	A	*43X50X7	S	32
42,00	59,00	59,10	7,00	A	710442➔	N	48	43,00	54,00	54,10	6,50	A	224400	S	25
42,00	59,75	60,00	8,00	A	*42X60X8	S	32	43,00	54,00	54,10	7,50	A	334111	S	33
42,00	59,75	60,00	9,00	A	*42X60X9	S	32	43,00	54,75	55,00	9,00	A	*43X55X9	S	32
42,00	59,75	60,00	10,00	A	*42X60X10	S	32	43,00	55,00	55,20	6,00	A	2012➔	V	32
42,00	59,75	60,00	12,00	A	*42X60X12	S	32	43,00	55,00	55,20	6,00	A	2012V➔	V	32
42,00	60,00	60,20	10,00	A	*42X60X10V	V	35	43,00	55,00	55,20	8,00	A	710264➔	H	32
42,00	60,00	60,22	7,00	A	42X60X7	S	32	43,00	55,00	55,20	8,00	A	43X55X8	S	32
42,00	60,00	60,22	7,00	A	*320563	V	32	43,00	55,00	55,25	8,00	A	1183	S	34
42,00	60,00	60,22	7,00	A	*323715	S	32	43,00	57,00	57,20	8,00	A	*43X57X8	S	32
42,00	60,00	60,22	7,04	A	1953	N	32	43,00	57,75	58,00	8,00	A	*43X58X8	S	32
42,00	60,00	60,42	7,00	A	2025	V	32	43,00	58,47	58,62	7,50	A	710159	S	#
42,00	61,75	62,00	7,00	A	*42X62X7	S	32	43,00	60,00	60,30	8,00	A	320583➔	S	32
42,00	61,75	62,00	10,00	A	*42X62X10	S	32	43,00	61,75	62,00	8,00	A	*43X62X8	S	32
42,00	61,75	62,00	12,00	A	*42X62X12	S	32	43,00	61,75	62,00	12,00	A	*43X62X12	S	32
42,00	62,00	62,30	8,00	A	*713119	N	47	43,00	62,00	62,10	9,50	A	224320	S	47
42,00	62,00	62,10	12,00	A	710403	S	#	43,00	62,00	62,10	9,50	A	*474137	S	47
42,00	62,00	62,20	7,00	A	710301	S	97	43,00	65,00	65,20	8,00	A	43X65X8	S	32
42,00	62,00	62,20	8,00	A	*42X62X8V	V	32	43,00	65,04	65,14	9,50	A	710387	S	47
42,00	62,00	62,20	8,00	A	710408	N	32	43,00	65,75	66,00	10,00	A	*43X66X10	S	32
42,00	62,00	62,27	8,00	A	224250	S	35	43,00	69,00	69,20	8,00	A	*43X69X8	S	32
42,00	62,00	62,27	8,00	A	42X62X8	S	35	43,00	70,00	70,20	9,00	A	710142	S	#
42,00	62,00	62,27	10,00	A	*1946	S	35	43,00	73,00	73,20	8,00	A	*43X73X8	S	32
42,00	62,00	62,27	10,00	A	224252	S	32	43,50	61,75	62,00	6,50	A	*43.5X62X6.5	S	32
42,00	62,75	63,00	7,00	A	*42X63X7	S	32	44,00	53,75	54,00	7,00	A	*44X54X7	S	32
42,00	63,00	63,20	9,00	A	710298➔	N	40	44,00	58,00	58,20	8,00	A	*44X58X8	S	32
42,00	63,00	63,30	7,00	A	*713051	N	48	44,00	59,00	59,23	6,80	A	224450➔	N	35
42,00	63,75	64,00	8,00	A	*42X64X8	S	32	44,00	59,75	60,00	9,00	A	*44X60X9	S	32
42,00	64,00	64,18	6,00	A	224254	S	34	44,00	60,00	60,20	7,00	A	44X60X7	S	32
42,00	64,75	65,00	7,50	A	*42X65X7.5	S	32	44,00	60,00	60,20	10,00	A	44X60X10	S	35
42,00	64,75	65,00	9,00	A	*42X65X9	S	32	44,00	60,00	60,28	10,00	A	224460➔	H	35
42,00	64,75	65,00	12,00	A	*42X65X12	S	32								
42,00	64,80	65,00	13,50	A	710179➔	S	32								
42,00	65,00	65,15	10,00	A	42X65X10	N	47								
42,00	65,00	65,15	10,00	A	224255	N	47								
42,00	65,00	65,20	10,00	A	*42X65X10V	V	35								
42,00	65,00	65,30	12,00	A	*713081	N	32								
42,00	65,05	65,15	9,50	A	*474135N	N	47								

METRIC SECTION

For Illustration and Material Data See Technical Section

Designed For A Specific Application - Not Recommended For General Use ➔ Hydrodynamic Lip Design-CW ◄ Hydrodynamic Lip Design-CCW

◄➔ Hydrodynamic Lip Design-Bidirectional * Call 1-800-480-1212 For Price and Delivery

Metric List Sizes & Type
NATIONAL®

Shaft Size	Hsg. Bore	Seal O.D.	Seal Width	Grp.	Part No.	Lip Mat'l	Illus./ Type	Shaft Size	Hsg. Bore	Seal O.D.	Seal Width	Grp.	Part No.	Lip Mat'l	Illus./ Type
44,00	61,75	62,00	7,00	A	*44X62X7	S	32	45,00	63,25	63,50	10,00	A	*45X63.5X10	S	32
44,00	61,75	62,00	10,00	A	*44X62X10	S	32	45,00	63,75	64,00	7,00	A	*45X64X7	S	32
								45,00	63,75	64,00	10,00	A	*45X64X10	S	32
44,00	62,00	62,26	8,00	A	44X62X8↔	S	32	45,00	64,00	64,11	11,86	A	1951&	S	87
44,00	62,00	62,26	8,00	A	224462↔	S	32	45,00	64,00	64,11	16,40	A	*3966	S	#
44,00	62,00	62,28	10,00	A	224464←	N	32	45,00	64,00	64,26	13,00	A	1939	S	#
								45,00	64,00	64,25	19,00	A	1938	S	#
44,00	64,75	65,00	11,00	A	*44X65X11	S	32	45,00	64,00	64,30	12,00	A	*713121	S	47
44,00	65,00	65,20	11,00	A	224465→	S	32								
44,00	65,00	65,28	10,00	A	44X65X10	S	35	45,00	64,75	65,00	7,00	A	*45X65X7	S	32
44,00	66,00	66,10	6,00	A	710223	S	#	45,00	64,75	65,00	9,00	A	*45X65X9	S	32
44,00	68,00	68,30	8,00	A	350609←	N	35	45,00	64,75	65,00	10,00	A	*45X65X10	S	32
								45,00	64,75	65,00	12,00	A	*45X65X12	S	32
44,00	69,75	70,00	12,00	A	*44X70X12	S	32	45,00	65,00	65,10	5,00	A	1992	S	47
44,00	70,00	70,20	8,00	A	44X70X8	S	32	45,00	65,00	65,10	5,00	A	*3985	S	#
44,00	72,00	72,11	10,00	A	44X72X10	S	35	45,00	65,00	65,20	8,00	A	*45X65X8V	V	35
44,00	72,00	72,11	10,00	A	224470	S	35	45,00	65,00	65,28	8,00	A	45X65X8	S	35
44,00	80,00	80,12	8,00	A	710115↔	S	98	45,00	65,00	65,28	8,00	A	224550	S	35
44,00	90,00	90,10	9,00	A	710283	N	#	45,00	65,00	65,30	10,00	A	*713122	N	48
44,00	92,00	92,28	12,50	A	710208	S	#	45,00	65,00	65,30	10,00	A	*713153	V	32
44,50	61,75	62,00	10,00	A	*44.5X62X10	S	32	45,00	65,75	66,00	10,00	A	*45X66X10	S	32
45,00	53,75	54,00	4,50	A	*45X54X4.5	S	32	45,00	66,00	66,24	7,50	A	710160	S	#
45,00	54,75	55,00	5,00	A	*45X55X5	S	32	45,00	66,00	66,30	10,00	A	*713055	N	48
45,00	54,75	55,00	7,00	A	*45X55X7	S	32	45,00	67,00	67,20	8,00	A	710289→	S	32
45,00	54,75	55,00	8,00	A	*45X55X8	S	32								
45,00	54,75	55,00	10,00	A	*45X55X10	S	32	45,00	67,75	68,00	8,00	A	*45X68X8	S	32
45,00	55,75	56,00	6,00	A	*45X56X6	S	32	45,00	67,75	68,00	9,00	A	*45X68X9	S	32
45,00	55,75	56,00	8,00	A	*45X56X8	S	32	45,00	67,75	68,00	10,00	A	*45X68X10	S	32
45,00	56,75	57,00	5,50	A	*45X57X5.5	S	32	45,00	67,75	68,00	12,00	A	*45X68X12	S	32
45,00	56,75	57,00	9,00	A	*45X57X9	S	32								
45,00	57,75	58,00	8,00	A	*45X58X8	S	32	45,00	68,00	68,20	10,00	A	*45X68X10V	V	35
45,00	57,75	58,00	10,00	A	*45X58X10	S	32	45,00	68,00	68,20	12,00	A	710345→	S	32
								45,00	68,00	68,28	7,00	A	45X68X7	S	32
45,00	58,00	58,28	7,00	A	45X58X7	S	35	45,00	68,00	68,28	7,00	A	224560	S	32
45,00	58,00	58,30	7,00	A	224510	S	32	45,00	68,00	68,28	7,00	A	320564	V	32
45,00	58,75	59,00	7,00	A	*45X59X7	S	32	45,00	68,05	68,30	7,00	A	*45X68.3X7	S	32
45,00	58,75	59,00	10,00	A	*45X59X10	S	32	45,00	69,75	70,00	12,00	A	*45X70X12	S	32
45,00	59,00	59,28	7,50	A	710193	S	32	45,00	70,00	70,18	10,00	A	45X70X10	S	32
45,00	59,75	60,00	9,00	A	*45X60X9	S	32	45,00	71,75	72,00	8,00	A	*45X72X8	S	32
45,00	59,75	60,00	12,00	A	*45X60X12	S	32								
								45,00	72,00	72,20	8,00	A	*45X72X8V	V	32
45,00	60,00	60,20	7,00	A	45X60X7	S	35	45,00	72,00	72,20	10,00	A	45X72X10	S	35
45,00	60,00	60,20	8,00	A	45X60X8	S	35	45,00	72,00	72,20	12,00	A	710270	N	32
45,00	60,00	60,20	8,00	A	*45X60X8V	V	35	45,00	72,00	72,25	10,00	A	45X72X9S	S	32
45,00	60,00	60,25	10,00	A	45X60X10	S	35	45,00	72,00	72,28	7,00	A	45X72X7	S	35
45,00	60,00	60,25	10,00	A	*1184	N	35	45,00	72,00	72,28	12,00	A	45X72X12	S	35
45,00	60,00	60,25	10,00	A	224520	S	35	45,00	72,00	72,28	12,00	A	224570	S	35
45,00	60,00	60,25	10,80	A	2440→	N	69	45,00	72,20	72,34	7,50	A	1943	S	44
45,00	61,00	61,16	9,00	A	*484236V	V	48	45,00	72,20	72,34	7,50	A	*444118	S	44
45,00	61,75	62,00	7,00	A	*45X62X7	S	32	45,00	74,25	74,50	12,00	A	*45X74.5X12	S	32
45,00	61,75	62,00	9,00	A	*45X62X9	S	32	45,00	74,75	75,00	8,00	A	*45X75X8	S	32
45,00	61,75	62,00	10,00	A	*45X62X10	S	32	45,00	74,75	75,00	10,00	A	*45X75X10	S	32
45,00	61,75	62,00	12,00	A	*45X62X12	S	32	45,00	74,75	75,00	12,00	A	*45X75X12	S	32
45,00	61,90	62,00	10,00	A	*323871	S	32	45,00	75,00	75,10	12,00	A	1979→	N	47
45,00	62,00	62,10	6,00	A	494122	S	49	45,00	75,00	75,20	7,00	A	45X75X7	S	32
45,00	62,00	62,10	9,00	A	710321	S	47	45,00	75,00	75,20	10,00	A	*45X75X10V	V	32
45,00	62,00	62,10	10,16	A	*1997	S	#	45,00	75,00	75,30	12,00	A	*713123	V	32
45,00	62,00	62,15	8,00	A	710078	V	47								
45,00	62,00	62,20	8,00	A	*45X62X8V	V	35	45,00	77,72	78,00	12,00	A	*45X78X12	S	32
45,00	62,00	62,30	8,00	A	45X62X8	S	35								
45,00	62,00	62,30	8,00	A	1012	S	35	45,00	78,00	78,10	11,00	A	710248→	N	66
45,00	62,00	62,30	8,00	A	1012N	S	32								
45,00	62,00	62,30	8,00	A	*713053	V	32	45,00	79,72	80,00	12,00	A	*45X80X12	S	32
45,00	62,00	62,30	8,00	A	*713054	V	32								
45,00	62,00	62,30	10,00	A	*1185	S	32	45,00	80,00	80,28	10,00	A	45X80X10	S	35
45,00	62,00	62,30	10,00	A	*713052	V	48	45,00	81,72	82,00	12,00	A	*45X82X12	S	32
45,00	62,00	62,30	12,00	A	*2013	S	32								
45,00	62,00	66,00	10,00	A	*713056	N	48	45,00	82,00	82,20	8,00	A	*45X82X8	S	32
45,00	62,75	63,00	7,00	A	*45X63X7	S	32	45,00	84,72	85,00	12,00	A	*45X85X12	S	32

For Illustration and Material Data See Technical Section

Designed For A Specific Application - Not Recommended For General Use → Hydrodynamic Lip Design-CW ← Hydrodynamic Lip Design-CCW

↔ Hydrodynamic Lip Design-Bidirectional & Flanged O.D. * Call 1-800-480-1212 For Price and Delivery

Shaft Size	Hsg. Bore	Seal O.D.	Seal Width	Grp.	Part No.	Lip Mat'l	Illus./ Type	Shaft Size	Hsg. Bore	Seal O.D.	Seal Width	Grp.	Part No.	Lip Mat'l	Illus./ Type
45,00	85,00	85,20	10,00	A	45X85X10	S	35	48,00	61,75	62,00	10,00	A	*48X62X10	S	32
45,00	85,00	85,25	13,00	A	45X85X13	S	45	48,00	61,75	62,00	12,00	A	*48X62X12	S	32
45,00	89,72	90,00	10,00	A	*45X90X10	S	32	48,00	62,00	62,10	8,00	A	48X62X8	S	35
45,00	98,00	98,10	10,50	A	710364	N	#	48,00	62,00	62,10	8,00	A	224820	S	32
45,00	99,72	100,00	10,00	A	*45X100X10	S	32	48,00	62,00	62,10	24,00	A	1956	S	#
46,00	53,75	54,00	9,00	A	*46X54X9	S	32	48,00	62,00	62,20	6,00	A	710322	S	34
46,00	57,75	58,00	7,00	A	*46X58X7	S	32	48,00	62,00	62,20	8,00	A	*48X62X8V	V	35
46,00	58,00	58,28	7,00	A	224650➔	N	32	48,00	62,00	62,20	8,00	A	*320832	S	32
46,00	58,85	59,10	12,00	A	*46X59.1X12	S	32	48,00	62,00	62,25	6,00	A	1188	S	34
46,00	59,00	59,20	8,00	A	*46X59X8	S	32	48,00	62,00	62,28	8,00	A	224810	N	32
46,00	59,75	60,00	7,00	A	*46X60X7	S	32	48,00	63,00	63,09	9,00	A	48X63X9	S	47
46,00	59,75	60,00	10,00	A	*46X60X10	S	32	48,00	63,00	63,09	9,00	A	1969	S	47
46,00	60,00	60,20	8,00	A	*46X60X8	S	32	48,00	64,00	64,20	14,00	A	710167	S	#
46,00	60,00	60,28	7,00	A	224660➔	H	32	48,00	64,75	65,00	7,00	A	*48X65X7	S	32
46,00	62,00	62,10	8,00	A	224662	S	35	48,00	64,75	65,00	9,00	A	*48X65X9	S	32
46,00	62,00	62,20	8,00	A	*46X62X8	S	32	48,00	64,75	65,00	12,00	A	*48X65X12	S	32
46,00	62,00	62,20	20,50	A	710394	S	#	48,00	65,00	65,10	7,00	A	*493759	S	49
46,00	63,00	63,40	7,70	A	224663➔	N	35	48,00	65,00	65,15	24,50	A	4528N◀	N	66
46,00	65,00	65,20	7,00	A	46X65X7	S	32	48,00	65,00	65,20	10,00	A	*48X65X10V	V	32
46,00	68,00	68,20	8,00	A	*46X68X8	S	32	48,00	65,00	65,20	10,00	A	224865	S	32
46,00	68,50	68,70	7,50	A	710161	S	#	48,00	65,00	65,30	8,00	A	1973	S	25
46,00	69,40	69,60	10,00	A	710128	S	#	48,00	65,00	65,30	10,00	A	48X65X10	S	32
46,00	69,40	69,60	11,00	A	710126	S	#	48,00	65,00	65,30	10,00	A	*713152	S	48
46,00	70,00	70,10	8,00	A	710238➔	S	32	48,00	65,00	65,30	10,00	A	*716484	V	32
46,00	70,00	70,20	8,00	A	46X70X8	S	32	48,00	65,00	65,80	10,00	A	*713015	V	32
45,00	61,00	61,20	8,00	A	710260◀	S	32	48,01	65,07	65,20	12,70	A	*2820	S	#
46,00	72,00	72,20	8,00	A	*46X72X8	S	32	48,00	66,75	67,00	11,00	A	*48X67X11	S	32
46,00	73,00	73,20	8,00	A	*46X73X8	S	32	48,00	67,75	68,00	8,00	A	*48X68X8	S	32
46,00	94,50	94,70	8,00	A	710377	S	#	48,00	68,00	68,27	10,00	A	48X68X10	N	32
46,50	90,00	90,20	12,00	A	710397	N	#	48,00	68,00	68,27	10,00	A	224835	N	32
47,00	56,75	57,00	7,00	A	*47X57X7	S	32	48,00	68,00	68,30	11,00	A	224840➔	S	32
47,00	59,75	60,00	7,00	A	*47X60X7	S	32	48,01	68,58	68,68	14,78	A	9449◀	S	74
47,00	60,00	60,20	8,00	A	*47X60X8	S	32	48,00	69,75	70,00	7,00	A	*48X70X7	S	32
47,00	61,75	62,00	6,00	A	*47X62X6	S	32	48,00	69,75	70,00	10,00	A	*48X70X10	S	32
47,00	62,00	62,10	9,00	A	710320	S	48	48,00	69,75	70,00	12,00	A	*48X70X12	S	32
47,00	62,00	62,20	8,00	A	47X62X8	S	32	48,00	70,00	70,20	8,00	A	48X70X8	S	35
47,00	64,00	64,08	7,00	A	710191	S	25	48,00	70,00	70,20	9,00	A	710255	S	#
47,00	64,00	64,28	14,00	A	1937	S	#	48,00	70,00	70,20	12,00	A	710313➔	S	32
47,00	64,75	65,00	10,00	A	*47X65X10	S	32	48,00	70,00	70,25	9,00	A	712010➔	H	32
47,00	65,00	65,20	8,00	A	47X65X8	S	32	48,00	70,00	70,28	9,00	A	48X70X9	S	35
47,00	66,00	66,10	11,00	A	710215	S	66	48,00	70,00	70,28	10,00	A	1994	S	32
47,00	68,00	68,27	10,00	A	47X68X10	S	32	48,00	70,25	70,50	10,00	A	*48X70.5X10	S	32
47,00	68,00	68,27	10,00	A	1187	S	32	48,00	71,75	72,00	8,00	A	*48X72X8	S	32
47,00	69,00	69,14	10,10	A	3606◀➔	N	7S	48,00	71,75	72,00	9,00	A	*48X72X9	S	32
47,00	70,00	70,20	10,00	A	47X70X10	S	32	48,00	71,75	72,00	10,00	A	*48X72X10	S	32
47,00	72,00	72,23	8,00	A	224772	S	48	48,00	71,75	72,00	12,00	A	*48X72X12	S	32
47,00	72,20	72,40	6,00	A	710337	S	34	48,00	72,00	72,20	8,00	A	*48X72X8V	V	35
47,00	80,00	80,20	12,70	A	710150	S	#	48,00	72,00	72,28	10,00	A	224850	S	35
47,00	84,00	84,20	11,00	A	710143	S	#	48,00	72,00	72,31	7,00	A	48X72X7	S	32
47,60	68,00	68,30	14,00	A	712516➔	N	#	48,00	72,00	72,31	7,00	A	1208	S	32
48,00	57,75	58,00	4,00	A	*48X58X4	S	32	48,00	72,00	72,35	8,50	A	224872	S	32
48,00	58,00	58,20	8,00	A	*48X58X8	S	32	48,00	72,25	72,50	10,00	A	*48X72.5X10	S	32
48,00	58,75	59,00	6,00	A	*48X59X6	S	32	48,00	73,00	73,10	7,00	A	224870	S	47
48,00	59,75	60,00	8,00	A	*48X60X8	S	32	48,00	73,75	74,00	10,00	A	*48X74X10	S	32
48,00	59,75	60,00	10,00	A	*48X60X10	S	32	48,00	73,75	74,00	12,00	A	*48X74X12	S	32
48,00	60,00	60,20	9,00	A	710356➔	S	47	48,00	74,00	74,23	10,00	A	224874	S	32
48,00	61,75	62,00	7,00	A	*48X62X7	S	32	48,00	74,00	74,30	10,00	A	224815	N	40
48,00	61,75	62,00	9,00	A	*48X62X9	S	32	48,00	74,75	75,00	12,00	A	*48X75X12	S	32
								48,00	75,00	75,20	10,00	A	48X75X10	S	32
								48,00	78,00	78,20	8,00	A	*48X78X8	S	32
								48,00	79,72	80,00	10,00	A	*48X80X10	S	32

METRIC SECTION

For Illustration and Material Data See Technical Section

Designed For A Specific Application - Not Recommended For General Use ➔ Hydrodynamic Lip Design-CW ◀ Hydrodynamic Lip Design-CCW

◀➔ Hydrodynamic Lip Design-Bidirectional * Call 1-800-480-1212 For Price and Delivery

Metric List Sizes & Type
NATIONAL®

Shaft Size	Hsg. Bore	Seal O.D.	Seal Width	Grp.	Part No.	Lip Mat'l	Illus./ Type	Shaft Size	Hsg. Bore	Seal O.D.	Seal Width	Grp.	Part No.	Lip Mat'l	Illus./ Type
48,00	80,00	80,20	8,00	A	48X80X8	S	32	50,00	68,00	68,28	8,00	A	1948	S	35
48,00	81,72	82,00	10,00	A	*48X82X10	S	32	50,00	68,00	68,28	8,00	A	*353676	S	35
48,00	82,00	82,20	8,00	A	*48X82X8	S	32	50,00	68,00	68,28	9,00	A	225020➔	V	32
48,00	84,72	85,00	10,00	A	*48X85X10	S	32	50,00	69,75	70,00	10,00	A	*50X70X10	S	32
48,00	85,00	85,20	8,00	A	*48X85X8	S	32	50,00	69,75	70,00	12,00	A	*50X70X12	S	32
48,00	88,00	88,20	8,00	A	*48X88X8	S	32	50,00	69,75	70,00	13,00	A	*50X70X13	S	32
48,00	89,72	90,00	13,00	A	*48X90X13	S	32	50,00	70,00	70,10	7,00	A	413818	S	41
48,00	90,00	90,20	10,00	A	48X90X10	S	35	50,00	70,00	70,10	9,00	A	*470824	S	47
48,00	108,50	108,70	13,00	A	710296	S	#	50,00	70,00	70,10	11,00	A	*481371H	H	48
49,00	61,75	62,00	6,00	A	*49X62X6	S	32	50,00	70,00	70,20	8,00	A	50X70X8	S	32
49,00	62,00	62,15	8,00	A	4904	S	66	50,00	70,00	70,20	9,00	A	50X70X9	S	32
49,00	64,00	64,28	12,50	A	1936	S	#	50,00	70,00	70,20	10,00	A	*50X70X10V	V	35
49,00	65,10	65,20	8,00	A	39877◀➔	T	WW	50,00	70,00	70,20	10,00	A	710173	N	#
49,00	70,00	70,10	12,50	A	710305&	S	#	50,00	70,00	70,20	14,00	A	710135	S	#
49,00	72,20	72,50	8,00	A	710148	S	97	50,00	70,00	70,23	9,00	A	1960	S	47
49,00	75,75	76,00	15,00	A	*49X76X15	S	32	50,00	70,00	70,30	9,50	A	*1189	S	32
49,00	79,00	79,10	17,50	A	224979➔	N	47	50,00	70,00	70,30	10,00	A	*713057	V	32
49,00	100,00	100,20	8,00	A	710374	S	#	50,00	71,75	72,00	7,00	A	*50X72X7	S	32
50,00	59,75	60,00	8,00	A	*50X60X8	S	32	50,00	71,75	72,00	9,00	A	*50X72X9	S	32
50,00	59,75	60,00	10,00	A	*50X60X10	S	32	50,00	71,75	72,00	10,00	A	*50X72X10	S	32
50,00	60,00	60,25	6,00	A	710192	S	32	50,00	71,75	72,00	12,00	A	*50X72X12	S	32
50,00	61,75	62,00	9,00	A	*50X62X9	S	32	50,00	72,00	72,00	8,00	A	*50X72X8V	V	32
50,00	61,75	62,00	10,00	A	*50X62X10	S	32	50,00	72,00	72,20	10,00	A	710398	S	#
50,00	62,00	62,08	6,00	A	*331356	S	33	50,00	72,00	72,28	8,00	A	225030	S	35
50,00	62,00	62,10	9,00	A	225008	S	47	50,00	72,00	72,28	8,00	A	50X72X8	S	35
50,00	62,00	62,28	7,00	A	50X62X7	S	35	50,00	72,00	72,35	10,00	A	225035	S	32
50,00	62,00	62,28	7,00	A	225005	S	32	50,00	72,00	72,35	12,00	A	225040➔	S	32
50,00	62,75	63,00	8,00	A	*50X63X8	S	32	50,00	72,75	73,00	9,00	A	*50X73X9	S	32
50,00	63,75	64,00	8,00	A	*50X64X8	S	32	50,00	74,00	74,20	9,00	A	710137	S	#
50,00	63,75	64,00	9,00	A	*50X64X9	S	32	50,00	74,75	75,00	10,00	A	*50X75X10	S	32
50,00	63,75	64,00	10,00	A	*50X64X10	S	32	50,00	75,00	75,10	9,00	A	710437	S	47
50,00	64,00	64,10	6,50	A	1971	S	47	50,00	75,00	75,20	7,00	A	50X75X7	S	32
50,00	64,10	64,19	6,50	A	710098	S	71	50,00	75,00	75,20	8,00	A	*50X75X8	S	32
50,00	64,75	65,00	9,00	A	*50X65X9	S	32	50,00	75,00	75,28	12,00	A	50X75X12	S	32
50,00	64,75	65,00	10,00	A	*50X65X10	S	32	50,00	75,75	76,00	12,00	A	*50X76X12	S	32
50,00	65,00	65,10	14,00	A	3743	S	66	50,00	77,50	77,70	9,00	A	1941	S	47
50,00	65,00	65,28	8,00	A	225010	S	47	50,00	77,72	78,00	12,00	A	*50X78X12	S	32
50,00	65,00	65,15	8,00	A	*470856	S	47	50,00	78,00	78,20	8,00	A	*50X78X8	S	32
50,00	65,00	65,20	8,00	A	*50X65X8V	V	32	50,00	79,72	80,00	10,00	A	*50X80X10	S	32
50,00	65,00	65,20	8,00	A	710354➔	N	32	50,00	79,72	80,00	12,00	A	*50X80X12	S	32
50,00	65,00	65,28	8,00	A	50X65X8	S	32	50,00	79,72	80,00	13,00	A	*50X80X13	S	32
50,00	65,00	65,33	8,50	A	1209	S	35	50,00	80,00	80,20	8,00	A	*50X80X8V	V	32
50,00	65,30	65,53	8,00	A	710226	S	32	50,00	80,00	80,28	8,00	A	225050	S	35
50,00	65,75	66,00	6,00	A	*50X66X6	S	32	50,00	80,00	80,28	8,00	A	50X80X8	S	35
50,00	66,00	66,22	8,00	A	*473810V	V	47	50,00	80,00	80,30	10,00	A	*713082	N	47
50,00	66,50	66,62	9,52	A	474134	S	47	50,00	80,00	80,30	16,00	A	710112◀➔	N	#
50,00	66,75	67,00	9,00	A	*50X67X9	S	32	50,00	80,72	81,00	12,00	A	*50X81X12	S	32
50,00	66,75	67,00	10,00	A	*50X67X10	S	32	50,00	81,00	81,30	13,00	A	*713124	N	47
50,00	67,00	67,20	9,00	A	710357	S	47	50,00	81,72	82,00	12,00	A	*50X82X12	S	32
50,00	67,00	67,27	11,00	A	1974	S	97	50,00	82,00	82,18	11,50	A	225082	S	#
50,00	67,75	68,00	7,00	A	*50X68X7	S	32	50,00	84,72	85,00	10,00	A	*50X85X10	S	32
50,00	67,75	68,00	9,00	A	*50X68X9	S	32	50,00	84,72	85,00	12,00	A	*50X85X12	S	32
50,00	67,75	68,00	10,00	A	*50X68X10	S	32	50,00	85,00	85,20	8,00	A	50X85X8	S	32
50,00	68,00	68,15	8,00	A	*483738V	V	48	50,00	86,00	86,30	13,00	A	710117	N	#
50,00	68,00	68,20	8,00	A	*50X68X8V	V	32	50,00	88,00	88,20	8,00	A	*50X88X8	S	32
50,00	68,00	68,20	9,00	A	710420➔	S	32	50,00	89,72	90,00	13,00	A	*50X90X13	S	32
50,00	68,00	68,27	7,00	A	710194	S	32	50,00	90,00	90,20	8,00	A	50X90X8	S	32
50,00	68,00	68,28	8,00	A	50X68X8	S	35	50,00	90,00	90,20	10,00	A	*50X90X10V	V	35
								50,00	90,00	90,28	10,00	A	50X90X10	S	35

For Illustration and Material Data See Technical Section

Designed For A Specific Application - Not Recommended For General Use ➔ Hydrodynamic Lip Design-CW ◀➔ Hydrodynamic Lip Design-Bidirectional & Flanged O.D.

* Call 1-800-480-1212 For Price and Delivery

Shaft Size	Hsg. Bore	Seal O.D.	Seal Width	Grp.	Part No.	Lip Mat'l	Illus./ Type	Shaft Size	Hsg. Bore	Seal O.D.	Seal Width	Grp.	Part No.	Lip Mat'l	Illus./ Type
50,00	94,00	94,28	24,00	A	710071	S	#	52,00	72,00	72,28	8,00	A	710242➡	N	32
50,00	99,72	100,00	10,00	A	*50X100X10	S	32	52,00	74,75	75,00	10,00	A	*52X75X10	S	32
50,00	110,00	110,13	9,50	A	476512	S	47	52,00	75,00	75,11	7,50	A	225275	S	66
51,00	62,00	62,10	7,00	A	710407	S	33	52,00	75,00	75,28	12,00	A	52X75X12	S	35
51,00	63,00	63,12	6,00	A	494123	S	49	52,00	75,00	75,30	14,70	A	*713059	S	47
51,00	63,00	63,20	8,00	A	*51X63X8	S	32	52,00	77,00	78,00	9,00	A	710107%	S	#
51,00	63,00	63,20	8,50	A	710323	S	49	52,00	77,72	78,00	10,00	A	*52X78X10	S	32
51,00	64,75	65,00	13,00	A	*51X65X13	S	32	52,00	78,00	78,28	9,00	A	225278	N	35
51,00	65,00	65,10	7,00	A	51X65X7	S	47	52,00	79,72	80,00	13,00	A	*52X80X13	S	32
51,00	65,00	65,10	7,00	A	225110	S	47	52,00	80,00	80,28	10,00	A	52X80X10↔	S	32
51,00	65,00	65,10	7,00	A	*474096	S	47	52,00	82,00	82,20	8,00	A	52X82X8	S	32
51,00	66,00	66,20	6,50	A	710265	N	35	52,00	84,72	85,00	9,00	A	*52X85X9	S	32
51,00	66,25	66,50	10,00	A	*51X66.5X10	S	32	52,00	84,72	85,00	10,00	A	*52X85X10	S	32
51,00	70,00	70,28	11,00	A	8316➡	N	32	52,00	85,00	85,20	8,00	A	52X85X7	S	32
51,00	73,00	73,20	8,00	A	*51X73X8	S	32	52,00	85,00	85,20	8,00	A	*52X85X8	S	32
51,00	80,00	80,20	8,00	A	*51X80X8	S	32	52,00	89,72	90,00	10,00	A	*52X90X10	S	32
51,00	81,00	81,20	8,00	A	*51X81X8	S	32	53,00	67,95	68,20	7,00	A	*53X68.2X7	S	32
51,00	90,00	90,20	8,00	A	*51X90X8	S	32	53,00	68,00	68,28	10,00	A	53X68X10	S	32
51,00	92,00	92,20	8,00	A	*51X92X8	S	32	53,00	68,20	68,48	7,00	A	710175	S	32
52,00	61,75	62,00	7,00	A	*52X62X7	S	32	53,00	69,00	69,11	10,30	A	*205009	F	205
52,00	61,75	62,00	10,00	A	*52X62X10	S	32	53,00	71,75	72,00	10,00	A	*53X72X10	S	32
52,00	62,00	63,00	5,50	A	710253%	S	#	53,00	72,75	73,00	10,00	A	*53X73X10	S	32
52,00	62,75	63,00	8,00	A	*52X63X8	S	32	53,00	79,72	80,00	13,00	A	*53X80X13	S	32
52,00	63,00	63,23	8,00	A	1975	S	32	54,00	63,75	64,00	9,00	A	*54X64X9	S	32
52,00	63,75	64,00	9,00	A	*52X64X9	S	32	54,00	64,75	65,00	10,00	A	*54X65X10	S	32
52,00	64,75	65,00	8,00	A	*52X65X8	S	32	54,00	64,75	65,00	13,00	A	*54X65X13	S	32
52,00	64,75	65,00	10,00	A	*52X65X10	S	32	54,00	65,00	65,20	8,00	A	54X65X8	S	32
52,00	65,00	65,20	9,00	A	225208	S	32	54,00	65,00	65,28	12,50	A	2002	S	47
52,00	65,00	65,30	9,00	A	52X65X9	S	35	54,00	66,00	66,23	7,50	A	225410	S	#
52,00	65,00	65,30	9,00	A	1955	S	35	54,00	67,75	68,00	10,00	A	*54X68X10	S	32
52,00	66,00	66,12	7,50	A	4898	S	66	54,00	69,00	69,23	7,00	A	710239	N	40
52,00	66,00	66,23	9,00	A	225210	N	35	54,00	69,75	70,00	9,00	A	*54X70X9	S	32
52,00	67,00	67,30	7,00	A	1883%	S	#	54,00	72,00	72,25	10,00	A	54X72X10	S	32
52,00	67,75	68,00	7,00	A	*52X68X7	S	32	54,00	72,00	72,25	10,00	A	225420	S	32
52,00	67,75	68,00	10,00	A	*52X68X10	S	32	54,00	72,25	72,50	9,00	A	*54X72.5X9	S	32
52,00	68,00	68,10	6,50	A	710292	S	#	54,00	73,00	73,20	8,00	A	54X73X8	S	32
52,00	68,00	68,09	12,09	A	*710064	S	#	54,00	73,00	73,40	12,75	A	712125➡	T	FW-H
52,00	68,00	68,15	8,00	A	710190	V	48	54,00	73,75	74,00	10,00	A	*54X74X10	S	32
52,00	68,00	68,20	8,00	A	*52X68X8V	V	35	54,00	74,75	75,00	10,00	A	*54X75X10	S	32
52,00	68,00	68,20	13,00	A	710312	S	32	54,00	75,18	75,48	17,00	A	710073	S	#
52,00	68,00	68,28	7,00	A	4990	S	281	54,00	75,75	76,00	8,00	A	*54X76X8	S	32
52,00	68,00	68,28	8,00	A	225220	S	35	54,00	76,00	76,20	14,00	A	710438	S	#
52,00	68,00	68,28	8,00	A	52X68X8	S	35	54,00	79,72	80,00	10,00	A	*54X80X10	S	32
52,00	68,00	68,28	10,00	A	1884	S	32	54,00	80,72	81,00	10,00	A	*54X81X10	S	32
52,00	68,00	68,30	13,50	A	*713058	S	47	54,00	81,00	81,20	8,00	A	*54X81X8	S	32
52,00	68,00	68,43	10,00	A	*324186	S	32	54,00	81,72	82,00	11,00	A	*54X82X11	S	32
52,00	68,00	68,80	8,00	A	*713016	N	32	54,00	81,99	82,17	8,00	A	710203	S	66
52,00	69,00	69,28	10,00	A	52X69X10	S	35	54,00	82,00	82,30	10,00	A	225450	S	32
52,00	69,75	70,00	9,00	A	*52X70X9	S	32	54,00	82,00	82,35	10,00	A	54X82X10	S	32
52,00	69,75	70,00	13,00	A	*52X70X13	S	32	54,00	85,00	85,25	10,00	A	225460	S	32
52,00	70,00	70,20	8,00	A	52X70X8	S	32	54,00	85,00	85,28	10,00	A	54X85X10	S	32
52,00	70,00	70,27	8,50	A	710187➡	N	32	54,50	69,75	70,00	8,00	A	*54.5X70X8	S	32
52,00	70,00	70,27	7,50	A	225540%	S	#	55,00	55,00	80,30	10,00	A	*713126	N	48
52,00	70,00	70,27	8,00	A	225225	S	47								
52,00	71,75	72,00	9,00	A	*52X72X9	S	32								
52,00	71,75	72,00	10,00	A	*52X72X10	S	32								
52,00	71,75	72,00	12,00	A	*52X72X12	S	32								
52,00	72,00	72,20	8,00	A	52X72X8	S	35								
52,00	72,00	72,20	8,00	A	*52X72X8V	V	32								
52,00	72,00	72,28	8,00	A	225230	S	35								
52,00	72,00	72,28	8,00	A	*350858	S	35								

METRIC SECTION

For Illustration and Material Data See Technical Section

Designed For A Specific Application - Not Recommended For General Use ➡ Hydrodynamic Lip Design-CW ↔ Hydrodynamic Lip Design-Bidirectional % External Bore

* Call 1-800-480-1212 For Price and Delivery

Metric List Sizes & Type
NATIONAL®

Shaft Size	Hsg. Bore	Seal O.D.	Seal Width	Grp.	Part No.	Lip Mat'l	Illus./ Type	Shaft Size	Hsg. Bore	Seal O.D.	Seal Width	Grp.	Part No.	Lip Mat'l	Illus./ Type
55,00	64,75	65,00	8,00	A	*55X65X8	S	32	55,00	100,00	100,30	12,70	A	55X100X13	S	45
55,00	64,75	65,00	10,00	A	*55X65X10	S	32								
55,00	67,75	68,00	10,00	A	*55X68X10	S	32	54,99	101,68	101,80	11,10	A	*477674V	V	47
55,00	68,00	68,20	8,00	A	710127	S	#	56,00	66,00	66,20	17,00	A	710382	S	#
55,00	68,00	68,28	8,00	A	55X68X8	S	32	56,00	67,00	67,20	6,00	A	710169	S	#
55,00	68,00	68,30	8,00	A	225500	S	32	56,00	68,00	68,12	10,00	A	56X68X10	N	48
54,99	68,53	68,91	4,11	A	*9471	S	#	56,00	68,00	68,28	10,00	A	1932	S	49
55,00	69,75	70,00	9,00	A	*55X70X9	S	32	56,00	69,75	70,00	9,00	A	*56X70X9	S	32
55,00	69,75	70,00	10,00	A	*55X70X10	S	32	56,00	70,00	70,20	8,00	A	56X70X8	S	35
55,00	69,75	70,00	12,00	A	*55X70X12	S	32	56,00	70,00	70,20	8,00	A	*56X70X8V	V	35
55,00	70,00	70,10	10,26	A	3723	S	66	56,00	71,75	72,00	8,00	A	*56X72X8	S	32
55,00	70,00	70,20	8,00	A	*55X70X8V	V	32	56,00	71,75	72,00	9,00	A	*56X72X9	S	32
55,00	70,00	70,20	8,00	A	710279	V	32	56,00	72,00	72,20	7,00	A	56X72X7	S	32
55,00	70,00	70,20	8,00	A	*713064	V	32	56,00	72,00	72,20	8,00	A	710393	S	#
55,00	70,00	70,27	8,00	A	55X70X8	S	35	56,00	72,00	72,27	12,50	A	225227	S	#
55,00	70,00	70,27	9,00	A	225505	S	32	56,00	72,00	72,29	11,50	A	225650	S	32
55,00	71,75	72,00	9,00	A	*55X72X9	S	32	56,00	72,00	72,40	11,50	A	56X72X11.5	S	35
55,00	71,75	72,00	10,00	A	*55X72X10	S	32	56,00	72,75	73,00	10,00	A	*56X73X10	S	32
55,00	71,75	72,00	12,00	A	*55X72X12	S	32	56,00	73,00	73,23	7,50	A	225673	S	#
55,00	72,00	72,20	8,00	A	*55X72X8V	V	32	56,00	73,00	73,28	12,50	A	1993	S	47
55,00	72,00	72,20	10,50	A	225535	S	32	56,00	74,00	74,14	8,50	A	710176	S	87
55,00	72,00	72,20	12,00	A	*713065	N	48	56,00	74,00	74,20	8,00	A	710125	S	#
55,00	72,00	72,25	8,00	A	225530	S	35	56,00	74,00	74,20	8,00	A	710125	S	#
55,00	72,00	72,25	8,00	A	55X72X8	S	35	56,00	75,00	75,13	6,50	A	4899	S	66
55,00	72,75	73,00	10,00	A	*55X73X10	S	32	56,00	75,00	75,20	7,00	A	56X75X7	S	32
55,00	74,00	74,10	9,20	A	1207N	S	49	56,00	75,00	75,33	8,00	A	225775	S	#
55,00	74,00	74,28	9,20	A	1207	S	49	56,00	75,75	76,00	8,00	A	*56X76X8	S	32
55,00	74,75	75,00	9,00	A	*55X75X9	S	32	56,00	76,00	76,12	12,30	A	710108	S	66
55,00	74,75	75,00	12,00	A	*55X75X12	S	32	56,00	76,00	76,15	11,50	A	*4905	S	72
55,00	75,00	75,20	7,00	A	55X100X7	S	32	56,00	76,00	76,15	11,50	A	710146	S	72
55,00	75,00	75,20	8,00	A	55X75X8	S	35	56,00	76,00	76,15	11,50	A	710146	S	72
55,00	75,00	75,20	10,00	A	*55X75X10V	V	35	56,00	78,00	78,20	8,00	A	*56X78X8	S	32
55,00	75,00	75,35	10,00	A	55X75X10	S	35	56,00	78,00	78,28	7,50	A	225678	S	#
55,00	75,00	75,35	10,00	A	225545	S	35	56,00	79,72	80,00	10,00	A	*56X80X10	S	32
55,00	75,75	76,00	12,00	A	*55X76X12	S	32	56,00	79,72	80,00	13,00	A	*56X80X13	S	32
55,00	76,00	76,20	10,00	A	*713125	S	47	56,00	80,00	80,28	8,00	A	56X80X8	S	32
55,00	77,72	78,00	9,00	A	*55X78X9	S	32	56,00	82,00	82,20	8,00	A	56X82X8	S	32
55,00	77,72	78,00	12,00	A	*55X78X12	S	32	56,00	84,72	85,00	10,00	A	*56X85X10	S	32
55,00	78,00	78,28	10,00	A	55X78X10	S	35	56,00	85,00	85,28	8,00	A	56X85X8	S	35
55,00	79,72	80,00	10,00	A	*55X80X10	S	32	56,00	88,00	88,20	8,00	A	56X88X8	S	32
55,00	79,72	80,00	12,00	A	*55X80X12	S	32	56,00	90,00	90,20	8,00	A	56X90X8	S	32
55,00	80,00	80,20	8,00	A	*55X80X8V	V	35	56,00	122,00	122,25	8,00	A	710086	S	#
55,00	80,00	80,28	8,00	A	55X80X8	S	35	57,00	57,12	82,55	7,47	A	*7068%	S	200E
55,00	80,00	80,30	10,00	A	*713127	S	47	57,00	66,75	67,00	6,00	A	*57X67X6	S	32
55,00	81,72	82,00	9,00	A	*55X82X9	S	32	57,00	67,00	67,11	6,00	A	1984	S	25
55,00	82,00	82,30	12,00	A	55X82X12	S	35	57,00	67,00	67,11	6,00	A	*253752	S	25
55,00	82,00	82,30	10,00	A	1958	S	35	57,00	72,00	72,25	8,40	A	1964	S	47
55,00	84,72	85,00	12,00	A	*55X85X12	S	32	57,00	74,75	75,00	12,00	A	*57X75X12	S	32
55,00	84,72	85,00	14,00	A	*55X85X14	S	32	57,00	77,00	77,20	8,00	A	710129	S	#
55,00	85,00	85,20	8,00	A	55X85X8	S	32	57,00	79,00	79,28	13,50	A	710072	S	#
55,00	85,00	85,31	10,00	A	55X85X10	S	35	57,00	79,00	79,28	14,98	A	710074	S	#
55,00	88,00	88,20	8,00	A	55X88X8	S	32	57,00	79,72	80,00	12,00	A	*57X80X12	S	32
55,00	88,00	88,20	8,00	A	*55X88X10	S	32	57,00	80,00	80,10	8,00	A	710225	S	#
55,00	89,72	90,00	8,00	A	*55X90X8	S	32	57,00	81,00	81,10	9,00	A	1928	S	47
55,00	89,72	90,00	10,00	A	*55X90X10	S	32	57,00	81,00	81,20	8,00	A	*57X81X8	S	32
55,00	90,00	90,28	13,00	A	55X90X13	S	35	57,00	82,22	82,50	10,00	A	*57X82.5X10	S	32
55,00	95,00	95,20	8,00	A	*55X95X8	S	32	57,00	84,72	85,00	10,00	A	*57X85X10	S	32
55,00	99,72	100,00	10,00	A	*55X100X10	S	32	57,00	84,72	85,00	12,00	A	*57X85X12	S	32
55,00	99,72	100,00	12,00	A	*55X100X12	S	32	57,00	84,72	85,00	15,00	A	*57X85X15	S	32
								57,00	85,00	85,20	13,00	A	57X85X13	S	32
								57,00	92,00	92,20	8,00	A	*57X92X8	S	32

For Illustration and Material Data See Technical Section

Designed For A Specific Application - Not Recommended For General Use ◀▶ Hydrodynamic Lip Design-Bidirectional % External Bore

* Call 1-800-480-1212 For Price and Delivery

Shaft Size	Hsg. Bore	Seal O.D.	Seal Width	Grp.	Part No.	Lip Mat'l	Illus./ Type	Shaft Size	Hsg. Bore	Seal O.D.	Seal Width	Grp.	Part No.	Lip Mat'l	Illus./ Type
58,00	67,75	68,00	9,00	A	*58X68X9	S	32	60,00	74,75	75,00	12,00	A	*60X75X12	S	32
58,00	69,75	70,00	7,00	A	*58X70X7	S	32	60,00	75,00	75,20	8,00	A	*60X75X8V	V	32
58,00	69,75	70,00	11,00	A	*58X70X11	S	32	60,00	75,00	75,28	8,00	A	60X75X8	S	35
58,00	71,75	72,00	9,00	A	*58X72X9	S	32	60,00	75,00	75,33	9,00	A	226015◀	N	32
58,00	71,75	72,00	10,00	A	*58X72X10	S	32	60,00	75,00	75,50	10,00	A	712113▶	T	FW-H
58,00	72,00	72,18	8,00	A	225872	S	33	60,00	75,00	86,00	11,80	A	710093	S	#
58,00	72,00	72,20	8,00	A	*58X72X8V	V	35	60,00	75,75	76,00	9,00	A	*60X76X9	S	32
58,00	72,00	72,28	8,00	A	58X72X8	S	35	60,00	76,72	77,00	12,00	A	*60X77X12	S	32
58,00	73,00	73,10	8,50	A	710439	S	#	60,00	77,72	78,00	9,00	A	*60X78X9	S	32
58,00	73,75	74,00	10,00	A	*58X74X10	S	32	60,00	77,72	78,00	10,00	A	*60X78X10	S	32
58,00	74,00	74,12	13,00	A	225874	N	101	60,00	78,00	78,20	8,00	A	*60X78X8	S	32
58,00	74,00	74,20	10,00	A	710271◀	S	32	60,00	78,00	78,28	8,00	A	226018	N	35
58,00	74,75	75,00	9,00	A	*58X75X9	S	32	60,00	79,22	79,50	10,00	A	*60X79.5X10	S	32
58,00	74,75	75,00	10,00	A	*58X75X10	S	32	60,00	79,72	80,00	9,00	A	*60X80X9	S	32
58,00	74,75	75,00	12,00	A	*58X75X12	S	32	60,00	79,72	80,00	10,00	A	*60X80X10	S	32
58,00	75,00	75,10	9,00	A	710400	S	47	60,00	79,72	80,00	12,00	A	*60X80X12	S	32
58,00	75,00	75,20	7,00	A	710136	S	#	60,00	79,72	80,00	13,00	A	*60X80X13	S	32
58,00	75,00	75,28	11,00	A	58X75X11	S	35	60,00	80,00	80,20	8,00	A	60X80X8	S	35
58,00	75,00	75,28	11,00	A	225875	S	32	60,00	80,00	80,20	8,00	A	*60X80X8V	V	32
58,00	76,00	76,10	6,50	A	710183	S	66	60,00	80,00	80,20	8,00	A	710333◀	S	32
58,00	76,00	76,23	7,80	A	710230	S	#	60,00	80,00	80,29	8,00	A	226020	S	35
58,00	77,00	77,28	8,50	A	225877	N	35	60,00	81,72	82,00	9,00	A	*60X82X9	S	32
58,00	77,72	78,00	9,00	A	*58X78X9	S	32	60,00	82,00	82,20	7,00	A	60X82X7	S	32
58,00	77,72	78,00	12,00	A	*58X78X12	S	32	60,00	82,00	82,20	10,00	A	710390▶	N	32
58,00	78,00	78,20	8,00	A	*58X78X8	S	32	60,00	82,00	82,20	12,00	A	710350▶	V	#
58,00	78,00	78,20	10,00	A	710144◀	S	#	60,00	82,00	82,20	12,00	A	712006◀	H	32
58,00	79,72	80,00	9,00	A	*58X80X9	S	32	60,00	82,00	82,28	12,00	A	2001◀	S	32
58,00	79,72	80,00	10,00	A	*58X80X10	S	32	60,00	82,00	82,30	12,00	A	60X82X12	S	35
58,00	79,72	80,00	12,00	A	*58X80X12	S	32	60,00	83,72	84,00	10,00	A	*60X84X10	S	32
58,00	79,72	80,00	13,00	A	*58X80X13	S	32	60,00	84,72	85,00	6,00	A	*60X85X6	S	32
58,00	80,00	80,20	8,00	A	*58X80X8V	V	35	60,00	84,72	85,00	10,00	A	*60X85X10	S	32
58,00	80,00	80,28	8,00	A	225880	S	35	60,00	84,72	85,00	13,00	A	*60X85X13	S	32
58,00	80,00	80,28	8,00	A	58X80X8	S	35	60,00	85,00	85,20	8,00	A	*60X85X8V	V	32
57,99	80,14	80,24	9,53	A	493291	S	49	60,00	85,00	85,20	12,00	A	60X85X12	S	32
58,00	80,98	81,18	6,35	A	*341119	S	34	60,00	85,00	85,28	8,00	A	60X85X8	S	35
58,00	81,72	82,00	12,00	A	*58X82X12	S	32	60,00	85,50	85,70	7,00	A	*4599H▶	H	#
58,00	82,00	82,20	8,00	A	*58X82X8	S	32	60,00	85,72	86,00	10,00	A	*60X86X10	S	32
58,00	84,72	85,00	8,00	A	*58X85X8	S	32	60,00	86,00	86,10	7,00	A	710182	S	66
58,00	84,72	85,00	12,00	A	*58X85X12	S	32	60,00	88,00	88,20	8,00	A	*60X88X8	S	32
58,00	85,00	85,25	13,00	A	58X85X13	S	32	60,00	89,72	90,00	11,00	A	*60X90X11	S	32
58,00	85,00	85,28	10,00	A	58X85X10	S	35	60,00	89,72	90,00	12,00	A	*60X90X12	S	32
58,00	88,00	88,20	8,00	A	58X88X8	S	32	60,00	89,72	90,00	13,00	A	*60X90X13	S	32
58,00	90,00	90,28	10,00	A	58X90X10	S	35	60,00	90,00	90,25	8,00	A	60X90X8	S	32
58,00	91,72	92,00	8,00	A	*58X92X8	S	32	60,00	90,00	90,25	22,00	A	1985	S	#
58,00	103,00	103,20	11,00	A	710268◀	N	40	60,00	90,00	90,27	10,00	A	60X90X10	S	35
59,00	75,00	75,11	10,00	A	710168	S	47	60,00	90,00	90,30	12,50	A	*713128	V	#
59,00	78,30	78,55	8,00	A	710229	S	40	60,00	94,72	95,00	10,00	A	*60X95X10	S	32
59,00	78,30	78,55	8,00	A	710231	S	32	60,00	94,72	95,00	12,00	A	*60X95X12	S	32
59,00	100,00	100,28	10,00	A	710121	N	#	60,00	94,72	95,00	13,00	A	*60X95X13	S	32
60,00	69,75	70,00	10,00	A	*60X70X10	S	32	60,00	95,00	95,20	8,00	A	60X95X8	S	32
60,00	69,75	70,00	12,00	A	*60X70X12	S	32	60,00	99,72	100,00	13,00	A	*60X100X13	S	32
60,00	71,75	72,00	9,00	A	*60X72X9	S	32	60,00	100,00	100,20	8,00	A	*60X100X8	S	32
60,00	71,75	72,00	10,00	A	*60X72X10	S	32	60,00	100,00	100,20	10,00	A	60X100X10◀▶	N	32
60,00	72,00	72,10	7,50	A	710379	S	47	60,00	103,00	103,10	12,00	A	710276◀▶	N	40
60,00	72,00	72,28	8,00	A	60X72X8	S	35	60,00	103,72	104,00	12,00	A	*60X104X12	S	32
60,00	73,75	74,00	10,00	A	*60X74X10	S	32	60,00	105,00	105,20	8,00	A	*60X105X8	S	32
60,00	74,00	74,10	10,00	A	226001◀	V	25	60,00	109,72	110,00	12,00	A	*60X110X12	S	32
60,00	74,75	75,00	9,00	A	*60X75X9	S	32	60,00	110,00	110,20	8,00	A	60X110X8	S	32
60,00	74,75	75,00	10,00	A	*60X75X10	S	32	60,50	77,72	78,00	10,00	A	*60.5X78X10	S	32

METRIC SECTION

For Illustration and Material Data See Technical Section
 # Designed For A Specific Application - Not Recommended For General Use ▶ Hydrodynamic Lip Design-CW ◀ Hydrodynamic Lip Design-CCW
 ◀▶ Hydrodynamic Lip Design-Bidirectional * Call 1-800-480-1212 For Price and Delivery

Metric List Sizes & Type
NATIONAL®

Shaft Size	Hsg. Bore	Seal O.D.	Seal Width	Grp.	Part No.	Lip Mat'l	Illus./ Type	Shaft Size	Hsg. Bore	Seal O.D.	Seal Width	Grp.	Part No.	Lip Mat'l	Illus./ Type
61,00	76,00	76,28	7,00	A	226150	S	#	64,00	79,72	80,00	12,00	A	*64X80X12	S	32
61,00	88,00	88,00	7,00	A	710170	S	#	64,00	79,72	80,00	13,00	A	*64X80X13	S	32
62,00	74,00	74,10	7,00	A	710392	S	#	64,00	80,00	80,20	8,00	A	226480◀	H	33
62,00	74,75	75,00	10,00	A	*62X75X10	S	32	64,00	80,00	80,20	8,00	A	*713160▶	S	48
62,00	74,75	75,00	12,00	A	*62X75X12	S	32	64,00	80,00	80,20	8,00	A	*713161◀	S	47
62,00	77,72	78,00	10,00	A	*62X78X10	S	32	64,00	80,00	80,20	8,00	A	*713162◀	S	32
62,00	78,00	78,10	7,00	A	710213	S	281	64,00	80,00	80,28	8,00	A	64X80X8	S	32
62,00	78,00	78,20	8,00	A	*62X78X8	S	32	64,00	80,00	80,30	8,00	A	*713069	V	32
62,00	79,72	80,00	12,00	A	*62X80X12	S	32	64,00	84,72	85,00	10,00	A	*64X85X10	S	32
62,00	80,00	80,30	10,00	A	*713130	N	47	64,00	84,72	85,00	12,00	A	*64X85X12	S	32
62,00	80,00	80,20	9,00	A	62X80X9	S	32	64,00	90,00	90,28	13,00	A	*64X90X13	S	32
62,00	80,00	80,20	10,00	A	*62X80X10V	V	35	64,00	119,72	120,00	12,00	A	*64X120X12	S	32
62,00	80,00	80,28	10,00	A	62X80X10	S	35	64,00	132,00	132,10	13,00	A	710277	N	#
62,00	80,00	80,30	12,00	A	*713156	N	48	65,00	74,75	75,00	8,00	A	*65X75X8	S	32
62,00	80,00	80,80	12,00	A	*713017	V	32	65,00	74,75	75,00	10,00	A	*65X75X10	S	32
62,00	81,72	82,00	10,00	A	*62X82X10	S	32	65,00	74,75	75,00	12,00	A	*65X75X12	S	32
62,00	82,00	82,20	8,00	A	*62X82X8	S	32	65,00	77,72	78,00	12,00	A	*65X78X12	S	32
62,00	84,72	85,00	10,00	A	*62X85X10	S	32	65,00	79,72	80,00	10,00	A	*65X80X10	S	32
62,00	84,72	85,00	12,00	A	*62X85X12	S	32	65,00	79,72	80,00	12,00	A	*65X80X12	S	32
62,00	84,72	85,00	13,00	A	*62X85X13	S	32	65,00	80,00	80,20	8,00	A	*65X80X8V	V	32
62,00	85,00	85,30	10,00	A	*713131	N	47	65,00	80,00	80,28	8,00	A	65X80X8	S	32
62,00	85,00	85,13	8,00	A	62X85X8	S	41	65,00	81,00	81,28	7,00	A	226510▶	N	32
62,00	85,00	85,13	8,00	A	226285	S	41	65,00	81,72	82,00	9,00	A	*65X82X9	S	32
62,00	85,00	85,13	8,00	A	*414072	S	41	65,00	81,72	82,00	12,00	A	*65X82X12	S	32
62,00	88,00	88,20	8,00	A	62X88X8	S	32	65,00	82,00	82,09	8,00	A	710094	S	66
62,00	88,72	89,00	12,00	A	*62X89X12	S	32	65,00	82,00	82,20	8,00	A	*65X82X8	S	32
62,00	89,72	90,00	13,00	A	*62X90X13	S	32	65,00	84,00	84,30	9,00	A	712005▶	H	32
62,00	90,00	90,28	10,00	A	62X90X10	S	35	65,00	84,72	85,00	12,00	A	*65X85X12	S	32
62,00	92,00	92,20	8,00	A	62X92X8	S	32	65,00	84,72	85,00	13,00	A	*65X85X13	S	32
62,00	94,72	95,00	12,00	A	*62X95X12	S	32	65,00	85,00	85,30	13,00	A	*713132	V	32
62,00	99,72	100,00	10,00	A	*62X100X10	S	32	65,00	85,00	85,10	10,00	A	710373	S	47
62,00	99,72	100,00	12,00	A	*62X100X12	S	32	65,00	85,00	85,20	8,00	A	65X85X8	S	35
62,00	100,00	100,40	12,00	A	*713129	N	47	65,00	85,00	85,20	8,00	A	*65X85X8V	V	35
62,00	100,00	100,20	8,00	A	*62X100X8	S	32	65,00	85,00	85,27	10,00	A	226520	S	35
62,00	100,00	100,30	7,00	A	62X100X7	S	32	65,00	85,00	85,27	10,00	A	65X85X10	S	35
62,00	109,72	110,00	13,00	A	*62X110X13	S	32	65,00	87,72	88,00	12,00	A	*65X88X12	S	32
63,00	78,00	78,20	8,00	A	*63X78X8	S	32	65,00	87,72	88,00	13,00	A	*65X88X13	S	32
63,00	79,72	80,00	9,00	A	*63X80X9	S	32	65,00	88,00	88,20	8,00	A	65X88X8	S	35
63,00	80,00	80,20	8,00	A	*63X80X8	S	32	65,00	88,00	88,20	10,00	A	65X88X10	S	32
63,00	80,00	80,30	12,00	A	*713068	S	47	65,00	88,00	88,20	12,00	A	710367▶	S	40
63,00	82,00	82,20	8,00	A	*63X82X8	S	32	65,00	89,72	90,00	8,00	A	*65X90X8	S	32
63,00	82,22	82,50	10,00	A	*63X82.5X10	S	32	65,00	89,72	90,00	12,00	A	*65X90X12	S	32
62,99	84,07	84,23	12,70	A	6785	F	35	65,00	90,00	90,20	7,00	A	65X90X7	S	32
63,00	84,72	85,00	12,00	A	*63X85X12	S	32	65,00	90,00	90,20	10,00	A	*65X90X10V	V	32
63,00	85,00	85,28	10,00	A	63X85X10	S	32	65,00	90,00	90,20	13,00	A	65X90X13	S	35
63,00	87,72	88,00	12,00	A	*63X88X12	S	32	65,00	90,00	90,28	10,00	A	226530	S	35
63,00	88,00	88,20	8,00	A	*63X88X8	S	32	65,00	90,00	90,28	10,00	A	65X90X10	S	35
63,00	89,72	90,00	12,00	A	*63X90X12	S	32	65,00	94,72	95,00	10,00	A	*65X95X10	S	32
63,00	90,00	90,14	10,00	A	63X90X10	S	32	65,00	94,72	95,00	12,00	A	*65X95X12	S	32
63,00	90,00	90,10	7,00	A	1935	S	47	65,00	94,72	95,00	13,00	A	*65X95X13	S	32
63,00	99,72	100,00	10,00	A	*63X100X10	S	32	65,00	94,72	95,00	14,00	A	*65X95X14	S	32
63,00	99,72	100,00	13,00	A	*63X100X13	S	32	65,00	95,00	95,20	7,00	A	65X95X7	S	32
63,50	84,72	85,00	12,00	A	*63.5X85X12	S	32	65,00	95,00	95,20	8,00	A	*65X95X8	S	32
64,00	76,00	76,20	7,00	A	710256	S	#	65,00	99,72	100,00	9,50	A	*65X100X9.5	S	32
64,00	77,00	77,20	8,00	A	710130	S	#	65,00	99,72	100,00	12,00	A	*65X100X12	S	32
								65,00	99,72	100,00	13,00	A	*65X100X13	S	32
								65,00	100,00	100,20	10,00	A	*65X100X10V	V	35
								65,00	100,00	100,28	10,00	A	65X100X10	S	35
								65,00	100,00	100,30	7,00	A	65X100X7	S	32
								65,00	101,72	102,00	13,00	A	*65X102X13	S	32
								65,00	104,72	105,00	12,00	A	*65X105X12	S	32

For Illustration and Material Data See Technical Section

Designed For A Specific Application - Not Recommended For General Use ▶ Hydrodynamic Lip Design-CW ◀ Hydrodynamic Lip Design-CCW

* Call 1-800-480-1212 For Price and Delivery

Shaft Size	Hsg. Bore	Seal O.D.	Seal Width	Grp.	Part No.	Lip Mat'l	Illus./ Type	Shaft Size	Hsg. Bore	Seal O.D.	Seal Width	Grp.	Part No.	Lip Mat'l	Illus./ Type
65,00	105,00	105,20	8,00	A	*65X105X8	S	32	70,00	88,00	88,20	8,00	A	*713071	V	32
65,00	109,72	110,00	10,00	A	*65X110X10	S	32	70,00	88,00	88,20	9,00	A	*70X88X9V	V	35
65,00	109,72	110,00	12,00	A	*65X110X12	S	32	70,00	88,00	88,25	8,00	A	70X88X8	S	48
65,00	109,72	110,00	13,00	A	*65X110X13	S	32	70,00	88,00	88,25	12,00	A	70X88X12	S	32
								70,00	88,00	88,25	12,00	A	227020◀	H	32
65,00	110,00	110,20	8,00	A	*65X110X8	S	32	70,00	89,72	90,00	8,00	A	*70X90X8	S	32
65,00	114,72	115,00	12,00	A	*65X115X12	S	32	70,00	89,72	90,00	12,00	A	*70X90X12	S	32
65,00	114,72	115,00	13,00	A	*65X115X13	S	32	70,00	89,72	90,00	13,00	A	*70X90X13	S	32
65,00	115,00	115,20	8,00	A	*65X115X8	S	32	70,00	90,00	90,10	10,00	A	*713164	N	48
65,00	119,72	120,00	13,00	A	*65X120X13	S	32	70,00	90,00	90,20	7,00	A	70X90X7	S	32
65,00	120,00	120,20	8,00	A	*65X120X8	S	32	70,00	90,00	90,20	10,00	A	*70X90X10V	V	32
65,00	139,70	140,00	14,00	A	*65X140X14	S	32	70,00	90,00	90,30	10,00	A	*713072	N	32
66,00	80,00	80,11	9,00	A	226610	N	41	70,00	90,00	90,30	13,50	A	*713073	S	47
66,00	85,00	85,12	10,00	A	710092	S	41	70,00	90,00	90,30	15,00	A	*713083	V	48
67,00	81,72	82,00	7,00	A	*67X82X7	S	32	70,00	90,00	90,32	10,00	A	70X90X10	S	35
68,00	82,00	82,20	7,00	A	68X82X7	S	35	70,00	90,00	90,32	10,00	A	227040◀	H	35
68,00	82,00	82,20	7,00	A	710378	S	35	70,00	90,00	90,40	10,00	A	*1162	S	35
68,00	84,00	84,23	8,50	A	710234◀	N	32	70,00	92,00	92,15	11,90	A	*477936H	H	47
68,00	84,72	85,00	10,00	A	*68X85X10	S	32	70,00	92,00	92,20	12,00	A	70X92X12	S	32
68,00	85,00	85,20	8,00	A	68X85X8	S	35	70,00	92,00	92,23	12,00	A	227045	H	47
68,00	86,00	86,20	8,00	A	710334◀	N	32	70,00	94,72	95,00	12,00	A	*70X95X12	S	32
68,00	86,00	86,31	8,00	A	226820▶	H	32	70,00	95,00	95,20	10,00	A	*70X95X10V	V	35
68,00	88,00	88,20	8,00	A	*68X88X8	S	32	70,00	95,00	95,28	10,00	A	70X95X10	S	35
68,00	88,00	88,20	8,00	A	710446▶	S	35	70,00	95,00	95,28	13,00	A	70X95X13	S	35
68,00	89,00	89,20	11,00	A	712511▶	V	32	70,00	99,72	100,00	12,00	A	*70X100X12	S	32
68,00	89,72	90,00	8,00	A	*68X90X8	S	32	70,00	99,72	100,00	14,00	A	*70X100X14	S	32
68,00	89,72	90,00	12,00	A	*68X90X12	S	32	70,00	100,00	100,20	10,00	A	70X100X10	S	32
68,00	89,72	90,00	13,00	A	*68X90X13	S	32	70,00	100,00	100,20	10,00	A	*70X100X10V	V	35
68,00	90,00	90,10	12,00	A	710440	S	47	70,00	100,00	100,28	13,00	A	*70X100X13	S	35
68,00	90,00	90,15	10,00	A	712108▶	T	FW-H	70,00	100,00	100,28	13,00	A	70X100X13	S	35
68,00	90,00	90,20	7,00	A	68X90X7	S	32	70,00	101,60	101,83	11,91	A	40392◀	T	FW-H
68,00	90,00	90,20	10,00	A	*68X90X10V	V	32	70,00	101,72	102,00	13,00	A	*70X102X13	S	32
68,00	90,00	90,32	10,00	A	68X90X10	S	35	70,00	104,72	105,00	12,00	A	*70X105X12	S	32
68,00	94,72	95,00	13,00	A	*68X95X13	S	32	70,00	105,00	105,20	10,00	A	*70X105X10	S	32
68,00	95,00	95,20	8,00	A	*68X95X8	S	32	70,00	105,00	105,20	13,00	A	70X105X13	S	35
68,00	95,00	95,20	10,00	A	68X95X10	S	35	70,00	105,00	105,30	7,00	A	70X105X7	S	32
68,00	95,00	95,30	13,00	A	226840	V	#	70,00	109,72	110,00	12,00	A	*70X110X12	S	32
68,00	97,72	98,00	10,00	A	*68X98X10	S	32	70,00	109,72	110,00	13,00	A	*70X110X13	S	32
68,00	99,72	100,00	12,00	A	*68X100X12	S	32	70,00	110,00	110,20	10,00	A	70X110X10	S	35
68,00	100,00	100,20	10,00	A	68X100X10	S	35	70,00	111,72	112,00	13,00	A	*70X112X13	S	32
68,00	100,00	100,28	13,00	A	68X100X13	S	35	70,00	112,00	112,10	14,00	A	710339	S	25
68,00	124,00	124,10	12,00	A	710275◀	N	40	70,00	114,72	115,00	13,00	A	*70X115X13	S	32
69,00	85,00	85,20	10,00	A	*713070	S	47	70,00	114,72	115,00	15,00	A	*70X115X15	S	32
69,00	91,72	92,00	12,00	A	*69X92X12	S	32	70,00	119,72	120,00	13,00	A	*70X120X13	S	32
70,00	-	90,00	10,00	A	*713134	V	32	70,00	120,00	120,40	13,00	A	*713137	S	47
70,00	-	90,00	12,00	A	*713135	N	32	71,00	87,72	88,00	8,00	A	*71X88X8	S	32
70,00	-	100,00	12,00	A	*713133	N	47	72,00	85,72	86,00	7,50	A	*72X86X7.5	S	32
70,00	79,72	80,00	10,00	A	*70X80X10	S	32	72,00	88,00	88,25	8,00	A	1986	S	48
70,00	82,72	83,00	10,00	A	*70X83X10	S	32	72,00	89,72	90,00	8,00	A	*72X90X8	S	32
70,00	84,72	85,00	9,00	A	*70X85X9	S	32	72,00	90,00	90,20	10,00	A	72X90X10	S	35
70,00	84,72	85,00	10,00	A	*70X85X10	S	32	72,00	91,72	92,00	12,00	A	*72X92X12	S	32
70,00	85,00	85,10	8,00	A	*713022	V	48	72,00	93,72	94,00	12,00	A	*72X94X12	S	32
70,00	85,00	85,28	8,00	A	70X85X8	S	35	72,00	94,72	95,00	12,00	A	*72X95X12	S	32
70,00	86,72	87,00	10,00	A	*70X87X10	S	32	72,00	94,72	95,00	13,00	A	*72X95X13	S	32
70,00	87,00	87,40	8,50	A	1021◀	V	32	72,00	95,00	95,28	10,00	A	72X95X10	S	35
70,00	87,00	87,40	8,50	A	1021V◀	V	32	72,00	96,00	96,28	9,00	A	227235◀	H	32
70,00	87,72	88,00	10,00	A	*70X88X10	S	32	72,00	100,00	100,20	10,00	A	72X100X10	S	35
								72,00	100,00	100,31	12,00	A	72X100X12◀▶	S	32
								72,00	104,72	105,00	13,00	A	*72X105X13	S	32
								72,00	105,00	105,20	10,00	A	*72X105X10	S	32

METRIC SECTION

For Illustration and Material Data See Technical Section

Designed For A Specific Application - Not Recommended For General Use ▶ Hydrodynamic Lip Design-CW ◀ Hydrodynamic Lip Design-CCW

◀▶ Hydrodynamic Lip Design-Bidirectional * Call 1-800-480-1212 For Price and Delivery

Metric List Sizes & Type

NATIONAL®



Shaft Size	Hsg. Bore	Seal O.D.	Seal Width	Grp.	Part No.	Lip Mat'l	Illus./ Type	Shaft Size	Hsg. Bore	Seal O.D.	Seal Width	Grp.	Part No.	Lip Mat'l	Illus./ Type
72,00	110,00	110,20	10,00	A	*72X110X10	S	32	76,00	93,72	94,00	12,00	A	*76X94X12	S	32
73,00	86,00	86,28	5,00	A	239129	S	#	76,00	98,00	98,20	12,00	A	227610➔	H	32
74,00	88,00	88,30	8,00	A	*713074	V	32	76,00	102,00	102,20	9,50	A	710375	S	#
74,00	89,72	90,00	10,00	A	*74X90X10	S	32	76,00	104,72	105,00	12,00	A	*76X105X12	S	32
74,00	90,00	90,15	10,00	A	227409◀	H	32	76,00	104,72	105,00	13,00	A	*76X105X13	S	32
74,00	90,00	90,30	10,00	A	*713075	N	32	77,00	99,72	100,00	10,00	A	*77X100X10	S	32
74,00	90,00	90,30	10,00	A	*713076	V	32	77,00	100,10	100,30	11,00	A	*712138	N	35
74,00	93,72	94,00	10,00	A	*74X94X10	S	32	78,00	95,00	95,20	10,00	A	*78X95X10	S	32
74,00	94,72	95,00	7,00	A	*74X95X7	S	32	78,00	99,72	100,00	13,00	A	*78X100X13	S	32
74,00	98,00	98,20	12,00	A	227410➔	H	32	78,00	100,00	100,27	10,00	A	78X100X10	S	35
74,00	99,72	100,00	13,00	A	*74X100X13	S	32	78,00	100,00	100,30	10,00	A	*713138	V	32
75,00	83,00	87,00	4,00	A	710240%	S	#	78,00	105,00	105,20	10,00	A	78X105X10	S	32
75,00	89,72	90,00	12,00	A	*75X90X12	S	32	78,00	109,72	110,00	12,00	A	*78X110X12	S	32
75,00	90,00	90,20	8,00	A	75X90X8	S	32	78,00	109,72	110,00	13,00	A	*78X110X13	S	32
75,00	90,00	90,25	10,00	A	75X90X10	S	32	78,00	110,00	110,20	10,00	A	*78X110X10	S	32
75,00	91,72	92,00	12,00	A	*75X92X12	S	32	78,00	115,00	115,20	10,00	A	78X115X10	S	32
75,00	93,00	93,12	8,00	A	39804➔	T	FW-H	80,00	94,72	95,00	8,00	A	*80X95X8	S	32
75,00	94,72	95,00	8,00	A	*75X95X8	S	32	80,00	96,00	96,28	9,00	A	228005◀	V	32
75,00	94,72	95,00	12,00	A	*75X95X12	S	32	80,00	97,72	98,00	10,00	A	*80X98X10	S	32
75,00	94,72	95,00	13,00	A	*75X95X13	S	32	80,00	98,00	98,40	10,00	A	228008◀	V	32
75,00	95,00	95,20	10,00	A	*75X95X10V	V	32	80,00	99,72	100,00	8,00	A	*80X100X8	S	32
75,00	95,00	95,28	10,00	A	227530	S	35	80,00	99,72	100,00	12,00	A	*80X100X12	S	32
75,00	95,00	95,28	10,00	A	75X95X10	S	35	80,00	99,72	100,00	13,00	A	*80X100X13	S	32
75,00	95,00	95,27	10,00	A	716445	V	35	80,00	100,00	100,20	10,00	A	80X100X10	S	35
75,00	99,72	100,00	13,00	A	*75X100X13	S	32	80,00	100,00	100,20	10,00	A	*80X100X10V	V	32
75,00	100,00	100,10	13,00	A	710384	S	25	80,00	100,00	100,20	10,00	A	228015➔	H	32
75,00	100,00	100,20	10,00	A	75X100X10	S	32	80,00	100,00	100,20	10,00	A	228011◀	V	32
75,00	100,00	100,20	10,00	A	*75X100X10V	V	32	80,00	100,00	100,23	10,00	A	228009◀	H	32
75,00	100,00	100,20	12,00	A	227540	S	32	80,00	100,00	100,30	10,00	A	*713077	N	47
75,00	100,00	100,27	12,00	A	75X100X12	S	32	80,00	100,00	100,30	10,00	A	*713151	V	32
75,00	100,00	100,27	13,00	A	227550◀	H	32	80,00	100,00	100,35	13,00	A	228010◀	H	32
75,00	100,00	100,30	10,00	A	*713085	N	48	80,00	100,00	100,40	10,00	A	712111➔	T	FW-H
75,00	100,00	100,30	17,00	A	*713084	V	48	80,00	100,00	100,40	13,00	A	712115➔	T	FW-H
75,00	101,72	102,00	13,00	A	*75X102X13	S	32	80,00	100,00	100,40	13,00	A	712120➔	T	FW-H
75,00	104,72	105,00	15,00	A	*75X105X15	S	32	80,00	100,00	100,40	13,00	A	712123➔	T	FW-H
75,00	105,00	105,27	13,00	A	75X105X13	S	32	80,00	104,72	105,00	12,00	A	*80X105X12	S	32
75,00	105,00	105,40	12,00	A	*713136	N	48	80,00	105,00	105,20	10,00	A	80X105X10	S	32
75,00	105,72	106,00	10,00	A	*75X106X10	S	32	80,00	105,00	105,20	12,00	A	*80X105X12V	V	35
75,00	109,72	110,00	13,00	A	*75X110X13	S	32	80,00	105,00	105,27	13,00	A	80X105X13	S	48
75,00	110,00	110,20	10,00	A	*75X110X10	S	32	80,00	105,00	105,27	14,00	A	*80X105X14	S	32
75,00	110,00	110,20	12,00	A	75X110X12	S	32	80,00	105,00	105,27	14,00	A	228020	S	32
75,00	112,00	112,10	10,00	A	710376	S	#	80,00	109,72	110,00	13,00	A	*80X110X13	S	32
75,00	112,00	112,17	10,00	A	710087	S	45	80,00	110,00	110,20	10,00	A	*80X110X10V	V	32
75,00	114,72	115,00	9,50	A	*75X115X9.5	S	32	80,00	110,00	110,28	10,00	A	80X110X10	S	32
75,00	114,72	115,00	13,00	A	*75X115X13	S	32	80,00	110,00	110,28	12,00	A	228030	S	35
75,00	115,00	115,20	10,00	A	*75X115X10	S	32	80,00	110,00	110,28	12,00	A	80X110X12	S	35
75,00	115,00	115,30	12,00	A	75X115X12	S	35	80,00	110,00	110,30	13,00	A	*713139	N	47
75,00	119,72	120,00	12,00	A	*75X120X12	S	32	80,00	114,72	115,00	10,00	A	*80X115X10	S	32
75,00	120,00	120,12	8,13	A	200322	S	200	80,00	114,72	115,00	13,00	A	*80X115X13	S	32
75,00	120,00	120,20	10,00	A	75X120X10	S	32	80,00	115,00	115,20	12,00	A	*80X115X12	S	32
75,00	133,70	134,00	10,00	A	*75X134X10	S	32	80,00	120,00	120,20	10,00	A	80X120X10	S	32
76,00	91,72	92,00	10,00	A	*76X92X10	S	32	80,00	120,00	120,28	13,00	A	80X120X13	S	32
76,00	92,00	92,28	9,50	A	4307V◀	V	32	80,00	124,72	125,00	10,00	A	*80X125X10	S	32
76,00	92,00	92,28	9,60	A	327995◀	V	32	80,00	124,72	125,00	13,00	A	*80X125X13	S	32
76,00	93,00	93,30	10,00	A	1019◀	H	32	80,00	124,72	125,00	14,00	A	*80X125X14	S	32
								80,00	125,00	125,20	12,00	A	*80X125X12	S	32
								80,00	129,70	130,00	13,00	A	*80X130X13	S	32

For Illustration and Material Data See Technical Section

Designed For A Specific Application - Not Recommended For General Use ➔ Hydrodynamic Lip Design-CW ◀ Hydrodynamic Lip Design-CCW % External Bore

* Call 1-800-480-1212 For Price and Delivery

Shaft Size	Hsg. Bore	Seal O.D.	Seal Width	Grp.	Part No.	Lip Mat'l	Illus./ Type	Shaft Size	Hsg. Bore	Seal O.D.	Seal Width	Grp.	Part No.	Lip Mat'l	Illus./ Type
80,00	130,00	130,20	12,00	A	*80X130X12	S	32	88,00	107,72	108,00	11,00	A	*88X108X11	S	32
80,00	135,00	135,20	12,00	A	*80X135X12	S	32	88,00	108,00	108,36	11,10	A	3772◀	H	35
80,00	140,00	140,20	12,00	A	*80X140X12	S	32	88,00	108,00	108,36	11,10	A	*100239T◀	T	FW-H
82,00	99,50	99,77	12,70	A	320691◀	V	32	88,00	110,00	110,28	12,00	A	88X110X12	S	35
82,00	105,00	105,25	13,00	A	82X105X13	S	25	88,00	115,00	115,20	12,00	A	*88X115X12	S	32
82,00	105,00	105,30	13,00	A	1945◀	H	32	88,00	120,00	120,20	12,00	A	*88X120X12	S	32
82,00	105,00	105,30	13,00	A	228480◀	H	#	89,00	105,00	105,20	10,00	A	710189◀	V	47
83,00	100,00	100,20	9,00	A	228250◀	H	32	89,00	109,00	109,20	9,00	A	229004◀	H	32
83,00	103,72	104,00	9,00	A	*83X104X9	S	32	90,00	99,72	100,00	7,00	A	*90X100X7	S	32
83,00	109,72	110,00	13,00	A	*83X110X13	S	32	90,00	99,72	100,00	12,00	A	*90X100X12	S	32
83,00	116,72	117,00	14,00	A	*83X117X14	S	32	90,00	104,00	104,10	11,00	A	710237◀	V	32
84,00	99,72	100,00	10,00	A	*84X100X10	S	32	90,00	104,72	105,00	12,00	A	*90X105X12	S	32
84,00	100,00	100,10	10,00	A	710294	S	47	90,00	104,72	105,00	13,00	A	*90X105X13	S	32
84,00	100,00	100,20	12,00	A	*84X100X12	S	32	90,00	108,00	108,23	10,00	A	710219◀	N	32
84,00	104,00	104,28	11,00	A	228410◀	V	32	90,00	109,72	110,00	10,00	A	*90X110X10	S	32
84,00	105,00	105,40	12,00	A	*713018	V	32	90,00	110,00	110,20	9,00	A	229006◀	H	32
84,00	118,00	118,10	7,00	A	710363◀	V	#	90,00	110,00	110,20	12,00	A	90X110X12	S	35
85,00	-	102,57	25,40	A	*100467➔	T	#	90,00	110,00	110,20	12,00	A	*90X110X12V	V	32
85,00	99,72	100,00	9,00	A	*85X100X9	S	32	90,00	110,00	110,20	12,00	A	*90X110X12V	V	32
85,00	99,72	100,00	10,00	A	*85X100X10	S	32	90,00	110,00	110,31	8,50	A	229010◀	H	32
85,00	99,72	100,00	12,00	A	*85X100X12	S	32	90,00	110,00	110,31	12,00	A	229005◀	V	32
85,00	104,72	105,00	12,00	A	*85X105X12	S	32	90,00	110,00	110,31	13,00	A	*90X110X13	S	35
85,00	105,00	105,28	10,00	A	85X105X10	S	32	90,00	110,00	110,40	12,00	A	712124➔	T	FW-H
85,00	105,00	105,28	10,00	A	716102◀	H	32	90,00	111,72	112,00	12,00	A	*90X112X12	S	32
85,00	105,00	105,28	13,00	A	85X105X13	S	32	90,00	112,42	112,70	13,00	A	*90X112.7X13	S	32
85,00	105,00	105,40	12,00	A	*713148	V	32	90,00	114,72	115,00	10,00	A	*90X115X10	S	32
85,00	109,72	110,00	13,00	A	*85X110X13	S	32	90,00	114,72	115,00	13,00	A	*90X115X13	S	32
85,00	110,00	110,20	10,00	A	85X110X10	S	35	90,00	115,00	115,14	17,12	A	*4789S◀➔	S	#
85,00	110,00	110,20	12,00	A	*85X110X12V	V	32	90,00	115,00	115,20	12,00	A	90X115X12	S	32
85,00	110,00	110,28	12,00	A	228520	S	35	90,00	117,72	118,00	12,00	A	*90X118X12	S	32
85,00	110,00	110,28	12,00	A	85X110X12	S	35	90,00	119,72	120,00	13,00	A	*90X120X13	S	32
85,00	110,00	110,40	12,00	A	*713140	V	45	90,00	120,00	120,20	12,00	A	*90X120X12V	V	35
85,00	110,00	110,40	13,00	A	*713141	N	48	90,00	120,00	120,28	12,00	A	90X120X12◀➔	S	32
85,00	110,72	111,00	10,00	A	*85X111X10	S	32	90,00	124,72	125,00	15,00	A	*90X125X15	S	32
85,00	113,00	113,20	10,50	A	710330	N	#	90,00	125,00	125,20	12,00	A	*90X125X12	S	32
85,00	114,22	114,50	12,00	A	*85X114.5X12	S	32	90,00	125,00	125,30	13,00	A	90X125X13	S	32
85,00	114,72	115,00	15,00	A	*85X115X15	S	32	90,00	125,00	125,70	7,00	A	90X125X7	S	32
85,00	115,00	115,00	13,00	A	85X115X13	S	35	90,00	129,70	130,00	10,00	A	*90X130X10	S	32
85,00	115,00	115,20	12,00	A	*85X115X12	S	32	90,00	129,70	130,00	13,00	A	*90X130X13	S	32
85,00	119,72	120,00	10,00	A	*85X120X10	S	32	90,00	130,00	130,20	12,00	A	*90X130X12	S	32
85,00	119,72	120,00	13,00	A	*85X120X13	S	32	90,00	130,00	130,40	13,00	A	*713142	V	48
85,00	119,72	120,00	15,00	A	*85X120X15	S	32	90,00	134,70	135,00	13,00	A	*90X135X13	S	32
85,00	120,00	120,28	12,00	A	85X120X12	S	32	90,00	135,00	135,20	12,00	A	*90X135X12	S	32
85,00	124,72	125,00	13,00	A	*85X125X13	S	32	90,00	140,00	140,20	12,00	A	*90X140X12	S	32
85,00	124,72	125,00	14,00	A	*85X125X14	S	32	90,00	145,00	145,20	14,00	A	90X145X14	S	32
85,00	125,00	125,20	12,00	A	85X125X12	S	32	90,00	157,86	158,00	14,27	A	39865➔	T	#
85,00	129,70	130,00	12,00	A	*85X130X12	S	32	90,00	159,70	160,00	10,00	A	*90X160X10	S	32
85,00	129,70	130,00	14,00	A	*85X130X14	S	32	91,00	110,00	110,26	8,50	A	229210◀➔	V	32
85,00	130,00	130,15	12,70	A	85X130X13	S	48	91,01	111,00	111,13	10,01	A	*100052T◀	T	FW-H
85,00	130,00	130,15	12,70	A	*476516	S	47	91,00	111,00	111,20	10,00	A	710056◀	V	47
85,00	139,70	140,00	12,00	A	*85X140X12	S	32	92,00	119,72	120,00	12,00	A	*92X120X12	S	32
86,00	99,72	100,00	10,00	A	*86X100X10	S	32	92,00	120,00	120,24	13,00	A	92X120X13	S	35
86,00	103,00	103,23	10,00	A	710235◀	V	32	93,00	114,00	114,20	14,00	A	710288◀	S	32
86,00	104,00	104,23	11,00	A	710232◀	V	32	93,00	154,00	154,10	8,00	A	710266	S	#
87,00	100,00	100,20	8,00	A	228700◀	H	32	95,00	104,72	105,00	13,00	A	*95X105X13	S	32
88,00	106,00	106,28	8,50	A	710188◀	V	32	95,00	109,72	110,00	11,00	A	*95X110X11	S	32
								95,00	109,72	110,00	12,00	A	*95X110X12	S	32

METRIC SECTION

For Illustration and Material Data See Technical Section
 # Designed For A Specific Application - Not Recommended For General Use ➔ Hydrodynamic Lip Design-CW ◀ Hydrodynamic Lip Design-CCW
 ◀➔ Hydrodynamic Lip Design-Bidirectional * Call 1-800-480-1212 For Price and Delivery

Metric List Sizes & Type
NATIONAL®

Shaft Size	Hsg. Bore	Seal O.D.	Seal Width	Grp.	Part No.	Lip Mat'l	Illus./ Type	Shaft Size	Hsg. Bore	Seal O.D.	Seal Width	Grp.	Part No.	Lip Mat'l	Illus./ Type
95,00	110,00	110,20	10,00	A	95X110X10	S	32	100,00	130,00	130,20	12,00	A	*100X130X12V	V	32
95,00	110,00	110,26	11,00	A	717005◀	S	32	100,00	130,00	130,28	12,00	A	100X130X12	S	35
95,00	113,00	113,10	10,00	A	710352◀	V	47	100,00	130,00	130,40	12,00	A	*713089	N	48
95,00	114,99	115,32	12,50	A	*100203T◀	T	FW-H	100,00	130,00	130,40	13,50	A	*713090	N	45
95,00	115,00	115,20	13,00	A	*95X115X13V	V	32	100,00	130,00	130,40	13,50	A	*713091	S	41
95,00	115,00	115,25	10,00	A	717006	S	45								
95,00	115,00	115,28	12,00	A	95X115X12	S	35	100,00	134,70	135,00	12,00	A	*100X135X12	S	32
95,00	115,00	115,28	13,00	A	*95X115X13	S	35	100,00	134,70	135,00	13,00	A	*100X135X13	S	32
95,00	115,00	115,32	12,12	A	*600305◀	T	#	100,00	134,70	135,00	14,00	A	*100X135X14	S	32
95,00	115,00	115,31	12,50	A	4359V◀	V	32	100,00	135,00	135,20	10,00	A	710351◀	H	32
95,00	115,00	115,40	13,50	A	*713143	N	45	100,00	135,00	135,20	15,00	A	710391◀	H	94
95,00	118,00	118,16	8,50	A	710060◀	H	32								
95,00	119,72	120,00	8,00	A	*95X120X8	S	32	100,00	139,70	140,00	12,00	A	*100X140X12	S	32
95,00	119,72	120,00	13,00	A	*95X120X13	S	32	100,00	139,70	140,00	13,00	A	*100X140X13	S	32
95,00	120,00	120,20	12,00	A	*95X120X12V	V	35	100,00	145,00	145,10	26,00	A	710278	N	#
95,00	120,00	120,28	12,00	A	95X120X12	S	35	100,00	149,70	150,00	10,00	A	*100X150X10	S	32
95,00	120,00	120,40	13,00	A	*713086	V	48	100,00	149,70	150,00	13,00	A	*100X150X13	S	32
95,00	124,72	125,00	13,00	A	*95X125X13	S	32	101,00	114,00	114,10	10,00	A	710371	S	25
95,00	125,00	125,28	12,00	A	95X125X12	S	35	102,00	125,00	125,20	12,00	A	*102X125X12	S	32
95,00	129,70	130,00	13,00	A	*95X130X13	S	32	102,00	130,00	130,28	13,00	A	102X130X13	S	35
95,00	130,00	130,28	12,00	A	95X130X12	S	35	105,00	120,00	120,20	11,00	A	231052	H	32
95,00	130,00	130,28	12,00	A	229520	S	35	105,00	124,72	125,00	12,00	A	*105X125X12	S	32
95,00	132,00	132,26	12,00	A	710085	S	#	105,00	125,00	125,28	13,00	A	105X125X13	S	32
95,00	134,70	135,00	13,00	A	*95X135X13	S	32	105,00	129,70	130,00	13,00	A	*105X130X13	S	32
95,00	172,00	172,09	28,00	A	39926▶	T	W-H	105,00	129,70	130,00	15,00	A	*105X130X15	S	32
95,25	120,37	120,65	12,70	A	*95.25X120.65X12S	S	32	105,00	130,00	130,16	11,00	A	712107▶	T	FW-H
96,00	116,00	116,26	9,00	A	710262◀	V	32	105,00	130,00	130,20	12,00	A	*105X130X12V	V	32
96,00	117,00	117,28	12,00	A	710205◀	V	32	105,00	130,00	130,25	12,00	A	712004◀	V	32
96,00	135,00	135,76	13,00	A	*713144	S	47	105,00	130,00	130,28	12,00	A	105X130X12	S	35
97,99	114,94	115,32	15,75	A	100085◀	T	#	105,00	134,70	135,00	13,00	A	*105X135X13	S	32
98,00	120,00	120,20	13,00	A	98X120X13	S	35	105,00	134,70	135,00	14,00	A	*105X135X14	S	32
100,00	113,72	114,00	10,00	A	*100X114X10	S	32	105,00	134,70	135,00	15,00	A	*105X135X15	S	32
100,00	114,00	114,10	12,00	A	710410	S	47	105,00	135,00	135,20	12,00	A	*105X135X12	S	32
100,00	114,72	115,00	9,00	A	*100X115X9	S	32	105,00	135,00	135,20	14,50	A	710349◀	V	#
100,00	114,72	115,00	10,00	A	*100X115X10	S	32	105,00	136,00	136,40	13,00	A	*713092	S	#
100,00	114,72	115,00	12,00	A	*100X115X12	S	32	105,00	139,70	140,00	13,00	A	*105X140X13	S	32
100,00	118,00	118,40	12,00	A	*713088	N	48	105,00	139,70	140,00	15,00	A	*105X140X15	S	32
100,00	118,00	188,40	12,00	A	*713024	V	32	105,00	140,00	140,28	12,00	A	105X140X12	S	35
100,00	119,72	120,00	11,00	A	*100X120X11	S	32	105,00	144,70	145,00	15,00	A	*105X145X15	S	32
100,00	119,72	120,00	13,00	A	*100X120X13	S	32	105,00	145,00	145,20	12,00	A	*105X145X12	S	32
100,00	120,00	120,20	12,00	A	*100X120X12V	V	32	105,00	160,00	160,20	15,00	A	*105X160X15	S	32
100,00	120,00	120,25	11,00	A	*712105◀	T	W	106,00	123,00	123,10	11,00	A	710295	S	47
100,00	120,00	120,12	11,00	A	231004	H	32	106,00	125,72	126,00	12,00	A	*106X126X12	S	32
100,00	120,00	120,28	12,00	A	231002	S	35	106,00	126,00	126,20	12,00	A	710366◀	H	32
100,00	120,00	120,28	12,00	A	100X120X12	S	35	106,00	126,00	126,20	12,00	A	710366◀	H	32
100,00	120,00	120,30	10,00	A	100X120X10	S	35	108,00	135,00	135,40	15,00	A	*713093	V	47
100,00	123,85	123,98	12,70	A	417967	S	41	110,00	124,72	125,00	12,00	A	*110X125X12	S	32
100,00	123,85	123,98	12,70	A	*717003	S	41	110,00	129,70	130,00	13,00	A	*110X130X13	S	32
100,00	123,85	123,98	15,88	A	455186	S	45	110,00	130,00	130,10	13,00	A	*713094	S	47
100,00	123,85	124,00	15,88	A	*415186	S	41	110,00	130,00	130,18	12,70	A	2261◀	V	47
100,00	124,00	124,20	13,00	A	710290◀	V	32	110,00	130,00	130,20	12,00	A	*110X130X12V	V	32
100,00	124,72	125,00	10,00	A	*100X125X10	S	32	110,00	130,00	130,28	12,00	A	110X130X12	S	35
100,00	124,72	125,00	13,00	A	*100X125X13	S	32	110,00	130,00	130,40	13,00	A	712112◀	T	W
100,00	125,00	125,20	12,00	A	*100X125X12V	V	35	110,00	130,00	130,20	12,00	A	*110X130X12V	V	32
100,00	125,00	125,28	12,00	A	231003	S	35	110,00	135,00	135,30	13,00	A	110X135X13	S	32
100,00	125,00	125,28	12,00	A	100X125X12	S	35	110,00	135,00	135,30	13,00	A	*713078	V	47
100,00	125,00	125,40	13,00	A	*713147	V	47	110,00	139,70	140,00	14,00	A	*110X140X14	S	32
100,00	126,72	127,00	10,00	A	*100X127X10	S	32	110,00	140,00	140,23	13,00	A	110X140X13	S	45
100,00	129,70	130,00	10,00	A	*100X130X10	S	32	110,00	140,00	140,28	12,00	A	110X140X12	S	32
100,00	129,70	130,00	13,00	A	*100X130X13	S	32								

For Illustration and Material Data See Technical Section

Designed For A Specific Application - Not Recommended For General Use ▶ Hydrodynamic Lip Design-CW ◀ Hydrodynamic Lip Design-CCW

* Call 1-800-480-1212 For Price and Delivery

Shaft Size	Hsg. Bore	Seal O.D.	Seal Width	Grp.	Part No.	Lip Mat'l	Illus./ Type	Shaft Size	Hsg. Bore	Seal O.D.	Seal Width	Grp.	Part No.	Lip Mat'l	Illus./ Type
110,00	140,00	140,28	12,00	A	* 110X140X12V	V	32	120,00	149,70	150,00	13,00	A	* 120X150X13	S	32
110,00	144,70	145,00	14,00	A	* 110X145X14	S	32	120,00	149,70	150,00	14,00	A	* 120X150X14	S	32
110,00	145,00	145,20	12,00	A	* 110X145X12	S	32	120,00	149,70	150,00	15,00	A	* 120X150X15	S	32
110,00	145,00	145,30	13,00	A	110X145X13	S	35	119,99	150,01	150,16	14,99	A	370220A	S	11
110,00	150,00	150,25	12,00	-	110X150X12	S	35	120,00	150,00	150,20	12,00	A	* 120X150X12V	V	32
110,00	149,70	150,00	13,00	A	* 110X150X13	S	32	120,00	150,00	150,28	12,00	A	120X150X12	S	35
110,00	150,00	150,28	15,00	A	110X150X15	S	35	120,00	154,70	155,00	14,00	A	* 120X155X14	S	32
110,00	155,00	155,20	15,00	A	* 110X155X15	S	32	120,00	154,70	155,00	16,00	A	* 120X155X16	S	32
110,00	159,70	160,00	12,00	A	* 110X160X12	S	32	120,00	155,00	155,20	15,00	A	* 120X155X15	S	32
110,00	160,00	160,20	15,00	A	* 110X160X15	S	32	120,00	158,70	159,00	14,00	A	* 120X159X14	S	32
110,00	166,70	167,00	17,00	A	* 110X167X17	S	32	120,00	159,70	160,00	15,00	A	* 120X160X15	S	32
110,00	169,70	170,00	12,00	A	* 110X170X12	S	32	120,00	160,00	160,20	12,00	A	* 120X160X12V	V	35
110,00	170,00	170,18	12,70	A	476518	S	47	120,00	160,00	160,28	12,00	A	120X160X12	S	35
112,00	135,00	135,20	15,00	A	* 112X135X15	S	32	120,00	179,67	180,00	15,00	A	* 120X180X15	S	32
112,00	140,00	140,32	13,00	A	112X140X13	S	35	122,00	139,70	140,00	13,00	A	* 122X140X13	S	32
112,00	141,70	142,00	14,00	A	* 112X142X14	S	32	124,00	146,00	146,10	14,00	A	710405	S	47
112,00	145,00	145,20	15,00	A	* 112X145X15	S	32	124,00	158,70	159,00	14,00	A	* 124X159X14	S	32
112,00	150,00	150,20	15,00	A	* 112X150X15	S	32	124,00	169,70	170,00	14,50	A	* 124X170X14.5	S	32
114,00	135,00	135,40	13,00	A	* 713095	V	32	124,00	170,00	-	14,50	A	710381%	S	#
114,00	135,00	135,25	13,00	A	713163◀	S	47	125,00	140,00	140,18	7,00	A	* 315286	S	31
114,00	140,00	140,28	13,00	A	114X140X13	S	35	125,00	144,70	145,00	13,00	A	* 125X145X13	S	32
115,00	135,00	135,20	10,00	A	710258◀	V	32	125,00	146,20	146,50	13,00	A	* 125X146.5X13	S	32
115,00	135,00	135,20	15,00	A	* 115X135X15	S	32	125,00	149,70	150,00	13,00	A	* 125X150X13	S	32
115,00	139,70	140,00	13,00	A	* 115X140X13	S	32	125,00	149,70	150,00	14,00	A	* 125X150X14	S	32
115,00	139,70	140,00	14,00	A	* 115X140X14	S	32	125,00	149,70	150,00	15,00	A	* 125X150X15	S	32
115,00	140,00	140,40	13,00	A	* 713096	N	47	125,00	150,00	150,20	12,00	A	* 125X150X12V	V	32
115,00	140,00	140,40	13,00	A	* 713097	V	32	125,00	150,00	150,28	12,00	A	125X150X12	S	32
115,00	140,00	140,20	12,00	A	* 115X140X12V	V	35	125,00	150,00	150,28	12,00	A	231250	S	35
115,00	140,00	140,28	12,00	A	115X140X12	S	35	125,00	150,00	150,40	15,00	A	* 713023	V	32
115,00	144,70	145,00	16,00	A	* 115X145X16	S	32	125,00	154,70	155,00	14,00	A	* 125X155X14	S	32
115,00	145,00	145,20	14,00	A	115X145X14◀➡	S	32	125,00	155,00	155,20	12,00	A	125X155X12	S	32
115,00	145,00	145,20	15,00	A	* 115X145X15	S	32	125,00	155,00	155,20	15,00	A	* 125X155X15	S	32
115,00	145,00	145,30	13,00	A	115X145X13	S	35	125,00	159,70	160,00	15,00	A	* 125X160X15	S	32
115,00	146,20	146,50	13,00	A	* 115X146.5X13	S	32	125,00	160,00	160,28	12,00	A	125X160X12	S	35
115,00	149,70	150,00	15,00	A	* 115X150X15	S	32	125,00	170,00	170,20	15,00	A	125X170X15	S	32
115,00	150,00	150,28	12,00	A	115X150X12	S	35	128,00	146,00	146,10	10,00	A	710411	S	47
115,00	155,00	155,20	15,00	A	* 115X155X15	S	32	128,00	150,00	150,28	15,00	A	* 128X150X15	S	35
115,00	156,00	156,10	28,00	A	710372	S	#	130,00	149,70	150,00	12,00	A	* 130X150X12	S	32
115,00	158,70	159,00	14,00	A	* 115X159X14	S	32	130,00	149,70	150,00	13,00	A	* 130X150X13	S	32
115,00	160,00	160,20	15,00	A	* 115X160X15	S	32	130,00	150,00	150,10	10,00	A	130X150X10	S	47
116,00	131,70	132,00	12,00	A	* 116X132X12	S	32	130,00	150,00	150,10	10,00	A	710380	S	47
116,50	135,00	135,30	13,00	A	* 355590V◀➡	V	35	130,00	150,00	150,20	15,00	A	* 130X150X15	S	32
118,00	136,00	136,40	13,00	A	* 713099	N	48	130,00	150,00	150,40	13,00	A	712114◀	T	FW-H
118,00	148,00	148,40	15,00	A	* 713100	V	32	130,00	150,00	150,44	14,50	A	39806➡	T	FW-H
118,00	173,00	173,80	28,00	A	710089	S	#	130,00	150,00	150,44	14,80	A	39805◀	T	FW-H
120,00	139,70	140,00	12,00	A	* 120X140X12	S	32	130,00	154,70	155,00	14,00	A	* 130X155X14	S	32
120,00	139,70	140,00	15,00	A	* 120X140X15	S	32	130,00	159,70	160,00	13,00	A	* 130X160X13	S	32
120,00	140,00	140,21	10,50	A	710084	S	47	130,00	159,70	160,00	14,00	A	* 130X160X14	S	32
120,00	140,00	140,20	13,00	A	712106	T	32	130,00	160,00	160,20	12,00	A	* 130X160X12V	V	32
120,00	140,00	140,25	12,00	A	717004	S	48	130,00	160,00	160,20	15,00	A	130X160X15	S	32
120,00	140,00	140,28	13,00	A	120X140X13	S	35	130,00	160,00	160,28	12,00	A	130X160X12	S	35
120,00	140,00	140,30	13,00	A	712003◀	V	32	130,00	160,00	161,00	12,00	A	* 713101	N	48
120,00	145,00	145,28	12,00	A	120X145X12	S	35	130,00	164,70	165,00	13,00	A	* 130X165X13	S	32
120,00	145,00	145,28	12,00	A	231204	S	35	130,00	164,70	165,00	15,00	A	* 130X165X15	S	32
120,00	145,70	146,00	13,00	A	* 120X146X13	S	32	130,00	169,70	170,00	13,00	A	* 130X170X13	S	32
120,00	146,20	146,50	13,00	A	* 120X146.5X13	S	32	130,00	170,00	170,20	12,00	A	* 130X170X12V	V	35
								130,00	170,00	170,28	15,00	A	130X170X15	S	35

METRIC SECTION

For Illustration and Material Data See Technical Section

 # Designed For A Specific Application - Not Recommended For General Use ➡ Hydrodynamic Lip Design-CW ◀ Hydrodynamic Lip Design-CCW
 ◀➡ Hydrodynamic Lip Design-Bidirectional % External Bore * Call 1-800-480-1212 For Price and Delivery

Metric List Sizes & Type
NATIONAL®

Shaft Size	Hsg. Bore	Seal O.D.	Seal Width	Grp.	Part No.	Lip Mat'l	Illus./ Type	Shaft Size	Hsg. Bore	Seal O.D.	Seal Width	Grp.	Part No.	Lip Mat'l	Illus./ Type
130,00	170,00	170,30	12,00	A	130X170X12	S	35	150,00	168,00	168,10	13,00	A	* 713109	N	48
130,00	189,67	190,00	12,00	A	* 130X190X12	S	32	150,00	169,70	170,00	15,00	A	* 150X170X15	S	32
130,00	199,67	200,00	12,00	A	* 130X200X12	S	32	150,00	174,70	175,00	10,00	A	* 150X175X10	S	32
134,00	152,00	152,50	13,00	A	* 713102	S	47	150,00	179,67	180,00	13,00	A	* 150X180X13	S	32
134,00	152,00	152,50	13,50	A	* 713104	N	32	150,00	179,67	180,00	14,00	A	* 150X180X14	S	32
135,00	154,70	155,00	13,00	A	* 135X155X13	S	32	150,00	180,00	180,20	15,00	A	* 150X180X15V	V	32
135,00	159,70	160,00	15,00	A	* 135X160X15	S	32	150,00	180,00	180,35	12,00	A	150X180X12	S	35
135,00	160,00	160,38	13,00	A	135X160X13	S	35	150,00	180,00	180,35	15,00	A	150X180X15	S	35
135,00	160,00	160,50	15,00	A	* 713149	S	47	150,00	184,67	185,00	16,00	A	* 150X185X16	S	32
135,00	162,00	162,50	13,00	A	* 713105	S	47	150,00	189,67	190,00	15,00	A	* 150X190X15	S	32
135,00	164,70	165,00	13,00	A	* 135X165X13	S	32	150,00	199,67	200,00	13,00	A	* 150X200X13	S	32
135,00	164,70	165,00	14,00	A	* 135X165X14	S	32	150,00	209,67	210,00	15,00	A	* 150X210X15	S	32
135,00	170,00	170,38	12,00	A	135X170X12	S	35	150,00	224,67	225,00	12,00	A	* 150X225X12	S	32
138,00	152,00	152,10	12,00	A	138X152X12	S	47	154,00	171,70	172,00	14,00	A	* 154X172X14	S	32
138,00	152,00	152,10	12,00	A	710368	S	47	154,00	172,00	172,20	15,00	A	* 154X172X15	S	32
138,00	152,00	152,20	15,00	A	* 138X152X15	S	32	155,00	171,70	172,00	14,00	A	* 155X172X14	S	32
140,00	159,70	160,00	14,00	A	* 140X160X14	S	32	155,00	173,70	174,00	12,00	A	* 155X174X12	S	32
140,00	160,00	160,20	12,00	A	140X160X12	S	32	155,00	179,67	180,00	12,00	A	* 155X180X12	S	32
140,00	160,00	160,27	13,00	A	140X160X13	S	35	155,00	179,67	180,00	13,00	A	* 155X180X13	S	32
140,00	160,00	160,27	13,00	A	231402	S	35	155,00	184,67	185,00	16,00	A	* 155X185X16	S	32
140,00	164,70	165,00	13,00	A	* 140X165X13	S	32	156,00	180,00	180,20	15,00	A	712110	T	W
140,00	165,00	165,10	15,00	A	* 713106	V	47	156,00	180,00	180,40	15,00	A	712122	T	FW-H
140,00	165,00	165,28	15,00	A	* 140X165X15	S	32	160,00	179,67	180,00	10,00	A	* 160X180X10	S	32
140,00	165,00	165,40	15,00	A	* 713079	V	32	160,00	179,67	180,00	13,00	A	* 160X180X13	S	32
140,00	167,70	168,00	15,00	A	* 140X168X15	S	32	160,00	181,67	182,00	18,00	A	* 160X182X18	S	32
140,00	169,70	170,00	13,00	A	* 140X170X13	S	32	160,00	184,67	185,00	13,00	A	* 160X185X13	S	32
140,00	169,70	170,00	14,00	A	* 140X170X14	S	32	160,00	185,00	185,10	13,00	A	* 713110	S	47
140,00	170,00	170,10	14,00	A	710406	S	47	160,00	185,00	185,20	10,00	A	* 160X185X10V	V	35
140,00	170,00	170,20	12,00	A	* 140X170X12V	V	32	160,00	185,00	185,35	10,00	A	160X185X10	S	35
140,00	170,00	170,28	15,00	A	231405	S	35	160,00	189,67	190,00	13,00	A	* 160X190X13	S	32
140,00	170,00	170,30	12,00	A	140X170X12	S	32	160,00	190,00	190,20	15,00	A	* 160X190X15V	V	32
140,00	170,00	170,43	15,00	A	140X170X15	S	35	160,00	190,00	190,35	15,00	A	160X190X15	S	35
140,00	174,70	175,00	15,00	A	* 140X175X15	S	32	160,00	190,00	190,40	13,00	A	712118	T	FW-H
140,00	179,67	180,00	15,00	A	* 140X180X15	S	32	160,00	199,67	200,00	14,00	A	* 160X200X14	S	32
140,00	180,00	180,30	12,00	A	140X180X12	S	35	160,00	200,00	200,20	12,00	A	160X200X12	S	32
140,00	180,00	180,38	18,00	A	140X180X18	S	32	160,00	200,00	200,20	15,00	A	160X200X15	S	32
140,00	184,67	185,00	16,00	A	* 140X185X16	S	32	160,00	239,67	240,00	15,00	A	* 160X240X15	S	32
142,00	156,70	157,00	10,00	A	* 142X157X10	S	32	162,00	200,00	200,20	15,00	A	* 162X200X15	S	32
144,00	160,00	160,25	12,00	A	144X160X12	S	35	165,00	189,67	190,00	14,00	A	* 165X190X14	S	32
145,00	164,00	164,10	14,00	A	145X164X14	S	47	165,00	189,67	190,00	15,00	A	* 165X190X15	S	32
145,00	164,00	164,10	14,00	A	710369	S	47	165,00	190,00	190,35	13,00	A	165X190X13	S	41
145,00	164,00	164,20	15,00	A	* 145X164X15	S	32	165,00	194,67	195,00	15,00	A	* 165X195X15	S	32
145,00	164,70	165,00	13,00	A	* 145X165X13	S	32	165,00	199,67	200,00	14,00	A	* 165X200X14	S	32
145,00	164,70	165,00	14,00	A	* 145X165X14	S	32	170,00	189,67	190,00	10,00	A	* 170X190X10	S	32
145,00	166,70	167,00	13,00	A	* 145X167X13	S	32	170,00	189,67	190,00	14,00	A	* 170X190X14	S	32
145,00	169,70	170,00	13,00	A	* 145X170X13	S	32	170,00	200,00	200,35	15,00	A	170X200X15	S	35
145,00	169,70	170,00	15,00	A	* 145X170X15	S	32	170,00	210,00	210,20	15,00	A	170X210X15	S	32
145,00	170,00	170,45	12,00	A	145X170X12	S	35	175,00	200,00	200,35	15,00	A	175X200X15	S	32
145,00	170,00	170,50	13,00	A	* 713107	S	47	175,00	209,67	210,00	15,00	A	* 175X210X15	S	32
145,00	170,00	170,50	15,00	A	* 713108	S	47	175,00	229,67	230,00	20,00	A	* 175X230X20	S	32
145,00	174,70	175,00	13,00	A	* 145X175X13	S	32	180,00	199,67	200,00	14,00	A	* 180X200X14	S	32
145,00	174,70	175,00	14,00	A	* 145X175X14	S	32	180,00	199,67	200,00	15,00	A	* 180X200X15	S	32
145,00	175,00	175,38	15,00	A	145X175X15	S	35	180,00	200,00	200,40	12,00	A	* 713111	V	32
145,00	180,00	180,28	12,00	A	145X180X12	S	35	180,00	200,00	200,40	15,00	A	* 713112	S	47
145,00	180,00	180,40	15,00	A	* 713145	S	47	180,00	200,00	200,40	17,00	A	* 713113	V	#
148,00	170,00	170,28	15,00	A	148X170X15	S	35								
150,00	167,70	168,00	13,00	A	* 150X168X13	S	32								

For Illustration and Material Data See Technical Section

Designed For A Specific Application - Not Recommended For General Use ◀ Hydrodynamic Lip Design-CCW * Call 1-800-480-1212 For Price and Delivery

Shaft Size	Hsg. Bore	Seal O.D.	Seal Width	Grp.	Part No.	Lip Mat'l	Illus./ Type	Shaft Size	Hsg. Bore	Seal O.D.	Seal Width	Grp.	Part No.	Lip Mat'l	Illus./ Type
180,00	200,00	200,20	12,00	A	*713165	S	32	265,00	289,67	290,00	16,00	A	*265X290X16	S	32
180,00	210,00	210,35	15,00	A	180X210X15	S	35	270,00	310,00	310,45	16,00	A	*270X310X16	S	35
180,00	214,67	215,00	15,00	A	*180X215X15	S	32	280,00	320,00	320,45	20,00	A	280X320X20	S	32
180,00	219,67	220,00	15,00	A	*180X220X15	S	32	285,00	319,67	320,00	20,00	A	*285X320X20	S	32
180,00	219,67	220,00	16,00	A	*180X220X16	S	32	290,00	329,67	330,00	18,00	A	*290X330X18	S	32
185,00	209,67	210,00	15,00	A	*185X210X15	S	32	300,00	340,00	340,45	20,00	A	300X340X20	S	32
185,00	210,00	210,35	13,00	A	185X210X13	S	35	320,00	360,00	360,45	20,00	A	*320X360X20	S	32
185,00	215,00	215,22	16,00	A	*185X215X16	S	32	340,00	380,00	380,45	20,00	A	*340X380X20	S	32
190,00	209,67	210,00	10,00	A	*190X210X10	S	32	360,00	400,00	400,45	20,00	A	*360X400X20	S	32
190,00	209,67	210,00	15,00	A	*190X210X15	S	32	380,00	420,00	420,45	20,00	A	*380X420X20	S	32
190,00	220,00	220,35	15,00	A	*190X220X15	S	32	400,00	440,00	440,45	20,00	A	*400X440X20	S	32
190,00	220,00	220,35	16,00	A	*231905	S	35								
190,00	220,00	220,35	16,00	A	190X220X16	S	35								
190,00	224,67	225,00	12,00	A	*190X225X12	S	32								
190,00	224,67	225,00	16,00	A	*190X225X16	S	32								
190,00	225,00	225,20	16,00	A	*190X225X16V	V	32								
190,00	229,67	230,00	15,00	A	*190X230X15	S	32								
190,00	230,00	230,20	16,00	A	190X230X16	S	32								
195,00	229,67	230,00	16,00	A	*195X230X16	S	32								
195,00	229,67	230,00	20,00	A	*195X230X20	S	32								
200,00	229,67	230,00	13,00	A	*200X230X13	S	32								
200,00	230,00	230,20	15,00	A	*200X230X15V	V	32								
200,00	230,00	230,35	15,00	A	200X230X15	S	45								
200,00	234,67	235,00	15,00	A	*200X235X15	S	32								
200,00	239,67	240,00	15,00	A	*200X240X15	S	32								
200,00	239,67	240,00	20,00	A	*200X240X20	S	32								
200,00	249,67	250,00	16,00	A	*200X250X16	S	32								
200,00	249,67	250,00	20,00	A	*200X250X20	S	32								
205,00	224,67	225,00	18,00	A	*205X225X18	S	32								
205,00	234,67	235,00	18,00	A	*205X235X18	S	32								
210,00	240,00	240,35	15,00	A	210X240X15	S	35								
210,00	249,67	250,00	16,00	A	*210X250X16	S	32								
210,00	250,00	250,20	15,00	A	210X250X15	S	32								
210,00	269,67	270,00	16,00	A	*210X270X16	S	32								
220,00	250,00	250,20	15,00	A	*220X250X15V	V	35								
220,00	250,00	250,35	15,00	A	220X250X15	S	35								
220,00	254,67	255,00	16,00	A	*220X255X16	S	32								
220,00	259,67	260,00	14,00	A	*220X260X14	S	32								
220,00	259,67	260,00	16,00	A	*220X260X16	S	32								
220,00	260,00	260,20	15,00	A	*220X260X15	S	32								
222,00	244,67	245,00	13,00	A	*222X245X13	S	32								
230,00	260,00	260,35	15,00	A	230X260X15	S	35								
233,00	272,00	272,26	15,88	A	*3689	V	#								
240,00	270,00	270,35	15,00	A	240X270X15	S	35								
240,00	270,00	270,35	16,00	A	*240X270X16	S	35								
240,00	279,67	280,00	18,00	A	*240X280X18	S	32								
240,00	279,67	280,00	20,00	A	*240X280X20	S	32								
240,00	280,00	280,20	16,00	A	240X280X16	S	32								
250,00	280,00	280,35	15,00	A	*250X280X15	S	35								
250,00	289,67	290,00	15,00	A	*250X290X15	S	32								
260,00	289,67	290,00	15,00	A	*260X290X15	S	32								
260,00	300,00	300,45	20,00	A	*260X300X20	S	32								

For Illustration and Material Data See Technical Section

Designed For A Specific Application - Not Recommended For General Use * Call 1-800-480-1212 For Price and Delivery

O-Rings

NATIONAL®



Width	ID	OD	Packaged Part No.	Std. Unit Pack	Bulk Part No.	Std. Bulk Pack	Width	ID	OD	Packaged Part No.	Std. Unit Pack	Bulk Part No.	Std. Bulk Pack
1/32"	1/32"	3/32"	001PKG	5	001BULK	500	3/32"	7/8"	1 1/16"	118PKG	10	118BULK	250
3/64"	3/64"	9/64"	002PKG	10	002BULK	500	3/32"	15/16"	1 1/8"	119PKG	10	119BULK	250
1/16"	1/16"	3/16"	003PKG	5	003BULK	500	3/32"	1"	1 3/16"	120PKG	10	120BULK	250
1/16"	5/64"	13/16"	004PKG	5	004BULK	500	3/32"	1 1/16"	1 1/4"	121PKG	10	121BULK	250
1/16"	3/32"	7/32"	005PKG	5	005BULK	500	3/32"	1 1/8"	1 5/16"	122PKG	10	122BULK	250
1/16"	1/8"	1/4"	006PKG	20	006BULK	500	3/32"	1 3/16"	1 3/8"	123PKG	10	123BULK	250
1/16"	1/8"	1/4"	006V35*	10	NA	NA	3/32"	1 1/4"	1 7/16"	124PKG	10	124BULK	250
1/16"	5/32"	9/32"	007PKG	20	007BULK	500	3/32"	1 5/16"	1 1/2"	125PKG	10	125BULK	250
1/16"	5/32"	9/32"	007V35*	10	NA	NA	3/32"	1 9/16"	1 9/16"	126PKG	5	126BULK	250
1/16"	3/16"	5/16"	008PKG	20	008BULK	500	3/32"	1 7/16"	1 5/8"	127PKG	5	127BULK	250
1/16"	3/16"	5/16"	008V35*	10	NA	NA	3/32"	1 1/2"	1 11/16"	128PKG	5	128BULK	250
1/16"	7/32"	11/32"	009PKG	20	009BULK	500	3/32"	1 9/16"	1 3/4"	129PKG	5	129BULK	250
1/16"	7/32"	11/32"	009V35*	10	NA	NA	3/32"	1 5/8"	1 13/16"	130PKG	5	130BULK	100
1/16"	1/4"	3/8"	010PKG	20	010BULK	500	3/32"	1 11/16"	1 7/8"	131PKG	5	131BULK	100
1/16"	1/4"	3/8"	010V35*	10	NA	NA	3/32"	1 3/4"	1 15/16"	132PKG	5	132BULK	100
1/16"	5/16"	7/16"	011PKG	20	011BULK	500	3/32"	1 13/16"	2"	133PKG	5	133BULK	100
1/16"	5/16"	7/16"	011V35*	10	NA	NA	3/32"	1 7/8"	2 1/16"	134PKG	5	134BULK	100
1/16"	3/8"	1/2"	012PKG	20	012BULK	500	3/32"	1 15/16"	2 1/8"	135PKG	5	135BULK	100
1/16"	3/8"	1/2"	012V35*	10	NA	NA	3/32"	2"	2 3/16"	136PKG	5	136BULK	100
1/16"	7/16"	9/16"	013PKG	10	013BULK	250	3/32"	2 1/16"	2 1/4"	137PKG	5	137BULK	100
1/16"	1/2"	5/8"	014PKG	10	014BULK	250	3/32"	2 1/8"	2 5/16"	138PKG	5	138BULK	100
1/16"	9/16"	1 1/16"	015PKG	10	015BULK	250	3/32"	2 3/16"	2 3/8"	139PKG	5	139BULK	100
1/16"	5/8"	3/4"	016PKG	10	016BULK	250	3/32"	2 1/4"	2 7/16"	140PKG	5	140BULK	100
1/16"	1 1/16"	1 3/16"	017PKG	10	017BULK	250	3/32"	2 5/16"	2 1/2"	141PKG	5	141BULK	100
1/16"	3/4"	7/8"	018PKG	10	018BULK	250	3/32"	2 9/16"	2 9/16"	142PKG	5	142BULK	100
1/16"	13/16"	1 5/16"	019PKG	10	019BULK	250	3/32"	2 7/16"	2 5/8"	143PKG	5	143BULK	100
1/16"	7/8"	1"	020PKG	10	020BULK	250	3/32"	2 1/2"	2 11/16"	144PKG	5	144BULK	100
1/16"	1 5/16"	1 1/16"	021PKG	10	021BULK	250	3/32"	2 9/16"	2 3/4"	145PKG	5	145BULK	100
1/16"	1"	1 1/8"	022PKG	10	022BULK	250	3/32"	2 9/16"	2 13/16"	146PKG	5	146BULK	100
1/16"	1 1/16"	1 3/16"	023PKG	10	023BULK	250	3/32"	2 11/16"	2 7/8"	147PKG	5	147BULK	100
1/16"	1 1/8"	1 1/4"	024PKG	10	024BULK	250	3/32"	2 3/4"	2 5/16"	148PKG	5	148BULK	100
1/16"	1 3/16"	1 5/16"	025PKG	10	025BULK	250	3/32"	2 13/16"	3"	149PKG	5	149BULK	100
1/16"	1 1/4"	1 3/8"	026PKG	10	026BULK	250	3/32"	2 7/8"	3 1/16"	150PKG	5	150BULK	100
1/16"	1 5/16"	1 7/16"	027PKG	10	027BULK	250	3/32"	3"	3 3/16"	151PKG	5	151BULK	100
1/16"	1 3/8"	1 1/2"	028PKG	10	028BULK	250	3/32"	3 1/4"	3 7/16"	152PKG	5	152BULK	100
1/16"	1 1/2"	1 5/8"	029PKG	5	029BULK	100	3/32"	3 1/2"	3 11/16"	153PKG	5	153BULK	100
1/16"	1 5/8"	1 3/4"	030PKG	5	030BULK	100	3/32"	3 3/4"	3 15/16"	154PKG	5	154BULK	100
1/16"	1 3/4"	1 7/8"	031PKG	5	031BULK	100	3/32"	4"	4 3/16"	155PKG	5	155BULK	50
1/16"	1 7/8"	2"	032PKG	5	032BULK	100	3/32"	3 3/4"	4 1/8"	210PKG	10	210BULK	250
1/16"	2"	2 1/8"	033PKG	5	033BULK	100	1/8"	3/4"	1"	210V35*	5	NA	NA
1/16"	2 1/8"	2 1/4"	034PKG	5	034BULK	100	1/8"	13/16"	1 1/16"	211PKG	10	211BULK	250
1/16"	2 1/4"	2 3/8"	035PKG	5	035BULK	100	1/8"	13/16"	1 1/16"	211V35*	5	NA	NA
1/16"	2 3/8"	2 1/2"	036PKG	5	036BULK	100	1/8"	7/8"	1 1/8"	212PKG	10	212BULK	250
1/16"	2 1/2"	2 5/8"	037PKG	5	037BULK	100	1/8"	7/8"	1 1/8"	212V35*	5	NA	NA
1/16"	2 5/8"	2 3/4"	038PKG	5	038BULK	50	1/8"	1 5/16"	1 3/16"	213PKG	10	213BULK	250
1/16"	2 3/4"	2 7/8"	039PKG	5	039BULK	50	1/8"	1 5/16"	1 3/16"	213V35*	5	NA	NA
1/16"	2 7/8"	3"	040PKG	5	040BULK	50	1/8"	1"	1 1/4"	214PKG	10	214BULK	250
1/16"	3"	3 1/8"	041PKG	5	041BULK	50	1/8"	1"	1 1/4"	214V35*	5	NA	NA
1/16"	3 1/4"	3 3/8"	042PKG	5	042BULK	50	1/8"	1 1/16"	1 5/16"	215PKG	10	215BULK	250
1/16"	3 1/2"	3 5/8"	043PKG	5	043BULK	50	1/8"	1 1/16"	1 5/16"	215V35*	5	NA	NA
1/16"	3 3/4"	3 7/8"	044PKG	5	044BULK	50	1/8"	1 1/8"	1 3/8"	216PKG	10	216BULK	250
1/16"	4"	4 1/8"	045PKG	5	045BULK	50	1/8"	1 1/8"	1 3/8"	216V35*	2	NA	NA
3/32"	3/8"	9/16"	110PKG	20	110BULK	500	1/8"	1 3/16"	1 7/16"	217PKG	10	217BULK	250
3/32"	3/8"	9/16"	110V35*	10	NA	NA	1/8"	1 3/16"	1 7/16"	217V35*	2	NA	NA
3/32"	7/16"	5/8"	111PKG	20	111BULK	500	1/8"	1 1/4"	1 1/2"	218PKG	10	218BULK	250
3/32"	7/16"	5/8"	111V35*	10	NA	NA	1/8"	1 1/4"	1 1/2"	218V35*	2	NA	NA
3/32"	1/2"	1 1/16"	112PKG	20	112BULK	500	1/8"	1 5/16"	1 9/16"	219PKG	10	219BULK	250
3/32"	1/2"	1 1/16"	112V35*	10	NA	NA	1/8"	1 5/16"	1 9/16"	219V35*	2	NA	NA
3/32"	9/16"	3/4"	113PKG	10	113BULK	500	1/8"	1 3/8"	1 5/8"	220PKG	10	220BULK	250
3/32"	9/16"	3/4"	113V35*	10	NA	NA	1/8"	1 3/8"	1 5/8"	220V35*	2	NA	NA
3/32"	5/8"	1 3/16"	114PKG	10	114BULK	500	1/8"	1 7/16"	1 11/16"	221PKG	10	221BULK	250
3/32"	5/8"	1 3/16"	114V35*	10	NA	NA	1/8"	1 7/16"	1 11/16"	221V35*	2	NA	NA
3/32"	1 1/16"	7/8"	115PKG	10	115BULK	500	1/8"	1 1/2"	1 3/4"	222PKG	10	222BULK	250
3/32"	1 1/16"	7/8"	115V35*	5	NA	NA	1/8"	1 1/2"	1 3/4"	222V35*	2	NA	NA
3/32"	3/4"	1 5/16"	116PKG	10	116BULK	500	1/8"	1 5/8"	1 7/8"	223PKG	10	223BULK	250
3/32"	3/4"	1 5/16"	116V35*	5	NA	NA	1/8"	1 3/4"	2"	224PKG	10	224BULK	250
3/32"	1 3/16"	1"	117PKG	10	117BULK	250	1/8"	7/8"	2 1/8"	225PKG	10	225BULK	250

* Fluoroelastomer

Width	ID	OD	Packaged Part No.	Std. Unit Pack	Bulk Part No.	Std. Bulk Pack	Width	ID	OD	Packaged Part No.	Std. Unit Pack	Bulk Part No.	Std. Bulk Pack
1/8"	2"	2 1/4"	226PKG	10	226BULK	250	3/16"	3 1/2"	3 7/8"	341PKG	5	341BULK	50
1/8"	2 1/8"	2 3/8"	227PKG	10	227BULK	250	3/16"	3 5/8"	4	342PKG	5	342BULK	50
1/8"	2 1/4"	2 1/2"	228PKG	10	228BULK	250	3/16"	3 3/4"	4 1/8"	343PKG	5	343BULK	50
1/8"	2 3/8"	2 5/8"	229PKG	10	229BULK	250	3/16"	3 7/8"	4 1/4"	344PKG	5	344BULK	50
1/8"	2 1/2"	2 3/4"	230PKG	10	230BULK	250	3/16"	4	4 3/8"	345PKG	5	345BULK	50
1/8"	2 5/8"	2 7/8"	231PKG	10	231BULK	250	3/16"	4 1/8"	4 1/2"	346PKG	5	346BULK	50
1/8"	2 3/4"	3	232PKG	10	232BULK	250	3/16"	4 1/4"	4 5/8"	347PKG	5	347BULK	50
1/8"	2 7/8"	3 1/4"	234PKG	10	234BULK	250	3/16"	4 3/8"	4 3/4"	348PKG	2	348BULK	50
1/8"	3 1/8"	3 3/8"	235PKG	10	235BULK	250	3/16"	4 1/2"	4 7/8"	349PKG	2	349BULK	50
1/8"	3 1/4"	3 1/2"	236PKG	10	236BULK	100	3/16"	5 1/2"	5 7/8"	357PKG	2	357BULK	10
1/8"	3 3/8"	3 5/8"	237PKG	10	237BULK	100	1/4"	4 1/2"	5	425PKG	2	425BULK	25
1/8"	3 1/2"	3 3/4"	238PKG	10	238BULK	100	1/4"	4 3/8"	5 1/8"	426PKG	2	426BULK	25
1/8"	3 5/8"	3 7/8"	239PKG	10	239BULK	100	1/4"	4 3/4"	5 1/4"	427PKG	2	427BULK	25
1/8"	3 3/4"	4"	240PKG	10	240BULK	100	1/4"	4 7/8"	5 3/8"	428PKG	2	428BULK	25
1/8"	3 7/8"	4 1/8"	241PKG	10	241BULK	100	1/4"	5"	5 1/2"	429PKG	2	492BULK	25
1/8"	4	4 1/4"	242PKG	10	242BULK	100	1/4"	5 1/8"	5 5/8"	430PKG	2	430BULK	25
1/8"	4 1/8"	4 3/8"	243PKG	10	243BULK	100	1/4"	5 1/4"	5 3/4"	431PKG	2	431BULK	25
1/8"	4 1/4"	4 1/2"	244PKG	10	244BULK	100	1/4"	5 3/8"	5 7/8"	432PKG	2	432BULK	25
1/8"	4 3/8"	4 5/8"	245PKG	10	245BULK	100	1/4"	5 1/2"	6"	433PKG	2	433BULK	25
1/8"	4 1/2"	4 3/4"	246PKG	5	246BULK	100	1/4"	5 3/8"	6 1/8"	434PKG	2	434BULK	10
1/8"	4 5/8"	4 7/8"	247PKG	5	247BULK	100	1/4"	5 3/4"	6 1/4"	435PKG	2	435BULK	10
1/8"	4 3/4"	5	248PKG	5	248BULK	50	1/4"	5 7/8"	6 3/8"	436PKG	2	436BULK	10
1/8"	4 7/8"	5 1/8"	249PKG	5	249BULK	50	1/4"	6	6 1/2"	437PKG	2	437BULK	10
1/8"	5	5 1/4"	250PKG	5	250BULK	50	1/4"	6 1/4"	6 3/4"	438PKG	2	438BULK	10
1/8"	5 1/8"	5 3/8"	251PKG	5	251BULK	50	1/4"	6 1/2"	7	439PKG	2	439BULK	10
1/8"	5 1/4"	5 1/2"	252PKG	5	252BULK	50	1/4"	6 3/4"	7 1/4"	440PKG	2	440BULK	10
1/8"	5 3/8"	5 5/8"	253PKG	5	253BULK	50	1/4"	7	7 1/2"	441PKG	2	441BULK	10
1/8"	5 1/2"	5 3/4"	254PKG	5	254BULK	50	1/4"	7 1/4"	7 3/4"	442PKG	2	442BULK	10
1/8"	5 5/8"	5 7/8"	255PKG	5	255BULK	50	1/4"	7 1/2"	8"	443PKG	2	443BULK	10
1/8"	5 3/4"	6	256PKG	5	256BULK	50	1/4"	7 3/4"	8 1/4"	444PKG	2	444BULK	10
1/8"	5 7/8"	6 1/8"	257PKG	5	257BULK	10	1/4"	8	8 1/2"	445PKG	2	445BULK	10
1/8"	6	6 1/4"	258PKG	5	258BULK	10	1/4"	8 1/2"	9"	446PKG	2	446BULK	10
1/8"	6 1/4"	6 1/2"	259PKG	5	259BULK	10	1/4"	9"	9 1/2"	447PKG	2	447BULK	10
1/8"	6 1/2"	6 3/4"	260PKG	5	260BULK	10	1/4"	9 1/2"	10"	448PKG	2	448BULK	10
1/8"	6 3/4"	7	261PKG	5	261BULK	10	1/4"	10"	10 1/2"	449PKG	1	449BULK	10
1/8"	7	7 1/4"	262PKG	5	262BULK	10	1/4"	10 1/2"	11"	450PKG	1	450BULK	10
1/8"	7 1/4"	7 1/2"	263PKG	5	263BULK	10	1/4"	11"	11 1/2"	451PKG	1	451BULK	10
1/8"	7 1/2"	7 3/4"	264PKG	5	264BULK	10	1/4"	11 1/2"	12"	452PKG	1	452BULK	10
1/8"	7 3/4"	8	265PKG	5	265BULK	10	1/4"	12"	12 1/2"	453PKG	1	453BULK	10
1/8"	8	8 1/4"	266PKG	5	266BULK	10	1/4"	12 1/2"	13"	454PKG	1	454BULK	10
1/8"	8 1/4"	8 1/2"	267PKG	5	267BULK	10	1/4"	13"	13 1/2"	455PKG	1	455BULK	10
1/8"	8 1/2"	8 3/4"	268PKG	5	268BULK	10	1/4"	13 1/2"	14"	456PKG	1	456BULK	10
1/8"	8 3/4"	9	269PKG	5	269BULK	10	1/4"	14"	14 1/2"	457PKG	1	457BULK	10
1/8"	9	9 1/4"	270PKG	5	270BULK	10	1/4"	14 1/2"	15"	458PKG	1	458BULK	10
1/8"	9 1/4"	9 1/2"	271PKG	5	271BULK	10	1/4"	15"	15 1/2"	459PKG	1	459BULK	10
1/8"	9 1/2"	9 3/4"	272PKG	5	272BULK	10	1/4"	15 1/2"	16"	460PKG	1	460BULK	10
1/8"	9 3/4"	10	273PKG	5	273BULK	10							
1/8"	10	10 1/4"	274PKG	5	274BULK	10							
3/16"	1 1/2"	1 7/8"	325PKG	5	325BULK	100							
3/16"	1 1/2"	1 7/8"	325V35*	2	NA	NA							
3/16"	1 5/8"	2"	326PKG	5	326BULK	100							
3/16"	1 5/8"	2"	326V35*	2	NA	NA							
3/16"	1 3/4"	2 1/8"	327PKG	5	327BULK	100							
3/16"	1 3/4"	2 1/8"	327V35*	2	NA	NA							
3/16"	1 7/8"	2 1/4"	328PKG	5	328BULK	100							
3/16"	2"	2 3/8"	329PKG	5	329BULK	100							
3/16"	2 1/8"	2 1/2"	330PKG	5	330BULK	100							
3/16"	2 1/4"	2 5/8"	331PKG	5	331BULK	100							
3/16"	2 3/8"	2 3/4"	332PKG	5	332BULK	100							
3/16"	2 1/2"	2 7/8"	333PKG	5	333BULK	100							
3/16"	2 5/8"	3	334PKG	5	334BULK	100							
3/16"	2 3/4"	3 1/8"	335PKG	5	335BULK	100							
3/16"	2 7/8"	3 1/4"	336PKG	5	336BULK	100							
3/16"	3	3 3/8"	337PKG	5	337BULK	100							
3/16"	3 1/8"	3 1/2"	338PKG	5	338BULK	50							
3/16"	3 1/4"	3 5/8"	339PKG	5	339BULK	50							
3/16"	3 3/8"	3 3/4"	340PKG	5	340BULK	50							

* Fluoroelastomer

O-Rings

NATIONAL®

OK 311

Designed for emergency maintenance, this kit reduces downtime to a minimum by providing quick and easy selection of the proper replacement O-rings. O-rings in this kit are all nitrile (BUNA-N) rubber and in popular inch dimensions from 1/4" O.D. to 2 1/8" O.D. in thirty sizes

Kit Part	I.D.	O.D.	Width	Pcs.	Refill
006	1/8"	1/4"	1/16"	20	006PKG
007	5/32"	9/32"	1/16"	20	007PKG
008	3/16"	5/16"	1/16"	20	008PKG
009	7/32"	11/32"	1/16"	20	009PKG
010	1/4"	3/8"	1/16"	20	010PKG
011	5/16"	7/16"	1/16"	20	011PKG
012	3/8"	1/2"	1/16"	20	012PKG
110	3/8"	9/16"	3/32"	13	110PKG
111	7/16"	5/8"	3/32"	13	111PKG
112	1/2"	11/16"	3/32"	13	112PKG
113	9/16"	3/4"	3/32"	13	113PKG
114	5/8"	13/16"	3/32"	13	114PKG
115	11/16"	7/8"	3/32"	13	115PKG
116	3/4"	15/16"	3/32"	13	116PKG
210	3/4"	1"	1/8"	10	210PKG
211	13/16"	1 1/16"	1/8"	10	211PKG
212	7/8"	1 1/8"	1/8"	10	212PKG
213	15/16"	1 3/16"	1/8"	10	213PKG
214	1"	1 1/4"	1/8"	10	214PKG
215	1 1/16"	1 5/16"	1/8"	10	215PKG
216	1 1/8"	1 3/8"	1/8"	10	216PKG
217	1 3/16"	1 7/16"	1/8"	10	217PKG
218	1 1/4"	1 1/2"	1/8"	10	218PKG
219	1 5/16"	1 9/16"	1/8"	10	219PKG
220	1 3/8"	1 5/8"	1/8"	10	220PKG
221	1 7/16"	1 11/16"	1/8"	10	221PKG
222	1 1/2"	1 3/4"	1/8"	10	222PKG
325	1 1/2"	1 7/8"	3/16"	7	325PKG
326	1 5/8"	2"	3/16"	7	326PKG
327	1 3/4"	2 1/8"	3/16"	7	327PKG

OK 312

For metric applications, you will never have to guess which O-rings to use again. The OK-312 metric O-ring kit gives you 30 sizes of metric O-rings, from 7mm O.D. to 52mm O.D., made from nitrile rubber. This kit allows you to have the correct O-ring for your metric application

Kit Part	I.D.	O.D.	Width	Pcs.	Refill
6003020	3 mm	7 mm	2 mm	16	6003020
6004020	4 mm	8 mm	2 mm	16	6004020
6005020	5 mm	9 mm	2 mm	16	6005020
6006020	6 mm	10 mm	2 mm	16	6006020
6007020	7 mm	11 mm	2 mm	16	6007020
6008020	8 mm	12 mm	2 mm	16	6008020
6010020	10 mm	14 mm	2 mm	16	6010020
6010025	10 mm	15 mm	2.5 mm	13	6010025
6011025	11 mm	16 mm	2.5 mm	13	6011025
6012025	12 mm	17 mm	2.5 mm	13	6012025
6014025	14 mm	19 mm	2.5 mm	13	6014025
6016025	16 mm	21 mm	2.5 mm	13	6016025
6017025	17 mm	22 mm	2.5 mm	13	6017025
6019025	19 mm	24 mm	2.5 mm	13	6019025
6019030	19 mm	25 mm	3 mm	12	6019030
6020030	20 mm	26 mm	3 mm	12	6020030
6022030	22 mm	28 mm	3 mm	12	6022030
6024030	24 mm	30 mm	3 mm	12	6024030
6025030	25 mm	31 mm	3 mm	12	6025030
6027030	27 mm	33 mm	3 mm	12	6027030
6028030	28 mm	34 mm	3 mm	12	6028030
6030030	30 mm	36 mm	3 mm	12	6030030
6032030	32 mm	38 mm	3 mm	12	6032030
6033030	33 mm	39 mm	3 mm	12	6033030
6035030	35 mm	41 mm	3 mm	12	6035030
6036030	36 mm	42 mm	3 mm	12	6036030
6038030	38 mm	44 mm	3 mm	11	6038030
6038040	38 mm	46 mm	4 mm	9	6038040
6041040	41 mm	49 mm	4 mm	9	6041040
6044040	44 mm	52 mm	4 mm	9	6044040

OK 411

Designed for use in higher temperatures or particularly punishing applications, the O-rings in this kit are made from a super-durable fluoroelastomer. The kit provides O-rings in 30 popular sizes, in inch dimensions from 1/4" O.D. to 2 1/8" O.D.

Kit Part	I.D.	O.D.	Width	Pcs.	Refill
006V35	1/8"	1/4"	1/16"	10	006V35
007V35	5/32"	9/32"	1/16"	10	007V35
008V35	3/16"	5/16"	1/16"	10	008V35
009V35	7/32"	11/32"	1/16"	10	009V35
010V35	1/4"	3/8"	1/16"	10	010V35
011V35	5/16"	7/16"	1/16"	10	011V35
012V35	3/8"	1/2"	1/16"	10	012V35
110V35	3/8"	9/16"	3/32"	10	110V35
111V35	7/16"	5/8"	3/32"	10	111V35
112V35	1/2"	11/16"	3/32"	10	112V35
113V35	9/16"	3/4"	3/32"	10	113V35
114V35	5/8"	13/16"	3/32"	10	114V35
115V35	11/16"	7/8"	3/32"	5	115V35
116V35	3/4"	15/16"	3/32"	5	116V35
210V35	3/4"	1"	1/8"	5	210V35
211V35	13/16"	1 1/16"	1/8"	5	211V35
212V35	7/8"	1 1/8"	1/8"	5	212V35
213V35	15/16"	1 3/16"	1/8"	5	213V35
214V35	1"	1 1/4"	1/8"	5	214V35
215V35	1 1/16"	1 5/16"	1/8"	5	215V35
216V35	1 1/8"	1 3/8"	1/8"	2	216V35
217V35	1 3/16"	1 7/16"	1/8"	2	217V35
218V35	1 1/4"	1 1/2"	1/8"	2	218V35
219V35	1 5/16"	1 9/16"	1/8"	2	219V35
220V35	1 3/8"	1 5/8"	1/8"	2	220V35
221V35	1 7/16"	1 11/16"	1/8"	2	221V35
222V35	1 1/2"	1 3/4"	1/8"	2	222V35
325V35	1 1/2"	1 7/8"	3/16"	2	325V35
326V35	1 5/8"	2"	3/16"	2	326V35
327V35	1 3/4"	2 1/8"	3/16"	2	327V35

* O-Ring Gage (MD-999) sold separately. Individual O-Rings can be purchased separately

Zero Duplication or Recommended		Zero Duplication or Recommended		Zero Duplication or Recommended		Zero Duplication or Recommended	
Mfr. No.	Name	Mfr. No.	Name	Mfr. No.	Name	Mfr. No.	Name
A-1205-A-1925	ROCKW	A112603	OLIVE	A1205D-1070	ROCKW	A1205G-631	ROCKW
A-1205-A-1925	ROCKW	A11332	CASE	A1205D-1070	ROCKW	A1205G-631	ROCKW
A-1205-B-1926	ROCKW	A113763	OLIVE	A1205D-1148	ROCKW	A1205G-633	ROCKW
A-1205-B-1926	ROCKW	A11507	CASE	A1205D-1148	ROCKW	A1205G-633	ROCKW
A-1205-D-1925	ROCKW	A115551	OLIVE	A1205D-160	ROCKW	A1205G-683	ROCKW
A-1205-D-1928	ROCKW	A115551	OLIVE	A1205D-160	ROCKW	A1205G-683	ROCKW
A-1205-D-2422	ROCKW	A115551	OLIVE	A1205D-1798	ROCKW	A1205G-735	ROCKW
A-1205-D-2500	ROCKW	A115775	OLIVE	A1205D-1798	ROCKW	A1205G-735	ROCKW
A-1205-D-2578	ROCKW	A115792	OLIVE	A1205D-1850	ROCKW	A1205G-735	ROCKW
A-1205-D-2578	ROCKW	A11592	CASE	A1205D-1850	ROCKW	A1205G-995	ROCKW
A-1205-D-2578	ROCKW	A116110	OLIVE	A1205D-212	ROCKW	A1205H-138	ROCKW
A-1205-E-2501	ROCKW	A11774	CUSH	A1205D-368	ROCKW	A1205H-2114	ROCKW
A-1205-F-2424	ROCKW	A11788	WHITE	A1205D-394	ROCKW	A1205H-398	ROCKW
A-1205-F-2424	ROCKW	A11805S-149	ROCKW	A1205D-420	ROCKW	A1205H-736	ROCKW
A-1205-F-2502	ROCKW	A119488	US-EL	A1205D-446	ROCKW	A1205H-762	ROCKW
A-1205-G-2425	ROCKW	A11999F-668	ROCKW	A1205D-602	ROCKW	A1205H-762	ROCKW
A-1205-G-2425	ROCKW	A1205-E-631	ROCKW	A1205D-680	ROCKW	A1205H-918	ROCKW
A-1205-G-2555	ROCKW	A1205-L-2482	ROCKW	A1205D-680	ROCKW	A1205H840	ROCKW
A-1205-H-2426	ROCKW	A1205A-1015	ROCKW	A1205D-836	ROCKW	A1205I-1061	ROCKW
A-1205-H-2426	ROCKW	A1205A-1015X	ROCKW	A1205D-836	ROCKW	A1205J-1102	ROCKW
A-1205-H-2556	ROCKW	A1205A-1033	ROCKW	A1205D-992	ROCKW	A1205J-1102	ROCKW
A-1205-J-2428	ROCKW	A1205A-1033	ROCKW	A1205D-2188	ROCKW	A1205J-1206	ROCKW
A-1205-J-2428	ROCKW	A1205A-1035	ROCKW	A1205D-2526	ROCKW	A1205J-1338	ROCKW
A-1205-J-2428	ROCKW	A1205A-1249	ROCKW	A1205D-2526	ROCKW	A1205J-1388X	ROCKW
A-1205-J-2558	ROCKW	A1205A-1535	ROCKW	A1205E-1019	ROCKW	A1205J-1518	ROCKW
A-1205-K-2013	ROCKW	A1205A-1535	ROCKW	A1205E-1071	ROCKW	A1205J-1544	ROCKW
A-1205-K-2429	ROCKW	A1205A-157	ROCKW	A1205E-1227	ROCKW	A1205J-166	ROCKW
A-1205-K-2429	ROCKW	A1205A-1665X	ROCKW	A1205E-1227	ROCKW	A1205J-2116	ROCKW
A-1205-K-2559	ROCKW	A1205A-183	ROCKW	A1205E-1253	ROCKW	A1205J-2272	ROCKW
A-1205-K-2559	ROCKW	A1205A-183	ROCKW	A1205E-1253	ROCKW	A1205J-2272	ROCKW
A-1205-L-2428	ROCKW	A1205A-1873	ROCKW	A1205E-1513	ROCKW	A1205J-296	ROCKW
A-1205-L-2428	ROCKW	A1205A-2107	ROCKW	A1205E-1513	ROCKW	A1205J-296	ROCKW
A-1205-L-2430	ROCKW	A1205A-287	ROCKW	A1205E-1591	ROCKW	A1205J-374	ROCKW
A-1205-L-2430	ROCKW	A1205A-339	ROCKW	A1205E-161	ROCKW	A1205J-634	ROCKW
A-1205-N-2588	ROCKW	A1205A-391	ROCKW	A1205E-161	ROCKW	A1205J-712	ROCKW
A-1205-N-2588	ROCKW	A1205A-651	ROCKW	A1205E-2163	ROCKW	A1205J-738	ROCKW
A-1205-P-2486	ROCKW	A1205A-804	ROCKW	A1205E-317	ROCKW	A1205J-998X	ROCKW
A-1205-P-2538	ROCKW	A1205A-937	ROCKW	A1205E-343	ROCKW	A1205J1934	ROCKW
A-1205-Q-2591	ROCKW	A1205A-937	ROCKW	A1205E-603	ROCKW	A1205J842	ROCKW
A-1205-Q-2591	ROCKW	A1205A-989	ROCKW	A1205E-603	ROCKW	A1205K-1285	ROCKW
A-1205-R-2592	ROCKW	A1205A-989X	ROCKW	A1205E-707	ROCKW	A1205K-1337	ROCKW
A-1205-S-2255	ROCKW	A1205B-1016	ROCKW	A1205E-837	ROCKW	A1205K-1337	ROCKW
A-1205-S-2281	ROCKW	A1205B-1198	ROCKW	A1205E-837	ROCKW	A1205K-141	ROCKW
A-1205-S-2281	ROCKW	A1205B-1224	ROCKW	A1205E-863X	ROCKW	A1205K-167	ROCKW
A-1205-U-1934	ROCKW	A1205B-1328	ROCKW	A1205E-993	ROCKW	A1205K-167	ROCKW
A-1205-U-1945	ROCKW	A1205B-1718	ROCKW	A1205E-993X	ROCKW	A1205K-1753	ROCKW
A-1205-U-1945	ROCKW	A1205B-1796X	ROCKW	A1205E-993X	ROCKW	A1205K-1779	ROCKW
A-1205-U-2257	ROCKW	A1205B-184	ROCKW	A1205E2186	ROCKW	A1205K-219	ROCKW
A-1205-U-2257	ROCKW	A1205B-210	ROCKW	A1205E265	ROCKW	A1205K-427	ROCKW
A-1205-U-2335	ROCKW	A1205B-2108	ROCKW	A1205E265	ROCKW	A1205K-453	ROCKW
A-1205-U-2335	ROCKW	A1205B-288	ROCKW	A1205E265	ROCKW	A1205K-531	ROCKW
A-1205-W-1895	ROCKW	A1205B-366	ROCKW	A1205F-1043	ROCKW	A1205K-583	ROCKW
A-1205-W-1895	ROCKW	A1205B-574	ROCKW	A1205F-136	ROCKW	A1205K-635	ROCKW
A-1205-Y-1897	ROCKW	A1205B-574	ROCKW	A1205F-1748	ROCKW	A1205K-687	ROCKW
A-1205-Y-1897	ROCKW	A1205B-626	ROCKW	A1205F-362	ROCKW	A1205K-713	ROCKW
A-1205-Y-1897	ROCKW	A1205B-678	ROCKW	A1205F-370	ROCKW	A1205K-739	ROCKW
A-65277	TROS	A1205B-834X	ROCKW	A1205F-448	ROCKW	A1205K-937	ROCKW
A020571	FED	A1205B2264	ROCKW	A1205F-682	ROCKW	A1205K-937	ROCKW
A0383	CATER	A1205C-1069	ROCKW	A1205F-708	ROCKW	A1205K-999	ROCKW
A10062	CASE	A1205C-1355	ROCKW	A1205F-760	ROCKW	A1205K-999	ROCKW
A10096	CASE	A1205C-1381	ROCKW	A1205F-838	ROCKW	A1205K401	ROCKW
A10132A	CUSH	A1205C-159	ROCKW	A1205F-838	ROCKW	A1205K401	ROCKW
A102	TROS	A1205C-1719	ROCKW	A1205F-88	ROCKW	A1205L-1338	ROCKW
A10260	CASE	A1205C-1875	ROCKW	A1205F-88	ROCKW	A1205L-1390	ROCKW
A1026J	EATON	A1205C-1875	ROCKW	A1205F-969	ROCKW	A1205L-142	ROCKW
A104255	CONCA	A1205C-211	ROCKW	A1205F162	ROCKW	A1205L-1598	ROCKW
A104255	CONTI	A1205C-367	ROCKW	A1205F162	ROCKW	A1205L-1598	ROCKW
A106737R91	IH	A1205C-653	ROCKW	A1205G-1047	ROCKW	A1205L-1780	ROCKW
A109155	OLIVE	A1205C-653	ROCKW	A1205G-1177	ROCKW	A1205L-220	ROCKW
A109155	WHITE	A1205C-757	ROCKW	A1205G-1723	ROCKW	A1205L-324	ROCKW
A11120	CASE	A1205D-1018	ROCKW	A1205G-189	ROCKW	A1205L-324	ROCKW
A11151	JOHND			A1205G-189	ROCKW	A1205L-364	ROCKW
				A1205G-293	ROCKW	A1205L-364	ROCKW
				A1205G-293	ROCKW	A1205L-415	ROCKW
				A1205G-293	ROCKW	A1205L-714	ROCKW
				A1205G-423	ROCKW	A1205L-714	ROCKW
				A1205G-605	ROCKW		

! Industrial Size/Type * Minor Width Difference \$F-M Number Is Part Of A Kit = Call 1-800-480-1212 for price and delivery.

ALPHABETICAL

Zero Duplication or Recommended Industrial		Zero Duplication or Recommended Industrial		Zero Duplication or Recommended Industrial		Zero Duplication or Recommended Industrial	
Mfr. No.	Name	Mfr. No.	Name	Mfr. No.	Name	Mfr. No.	Name
A1205L-740	ROCKW	A1205Q-1395	ROCKW	A1205T-670	ROCKW	A1205X-180	ROCKW
A1205L-741	ROCKW	A1205Q-1525	ROCKW	A1205T-696	ROCKW	A1205X-1896	ROCKW
A1205L-750	ROCKW	A1205Q-1629	ROCKW	A1205T-696	ROCKW	A1205X-258	ROCKW
A1205L-766	ROCKW	A1205Q-1629	ROCKW	A1205T-722	ROCKW	A1205X-414	ROCKW
A1205L-922X	ROCKW	A1205Q-1655	ROCKW	A1205T-724	ROCKW	A1205X-596	ROCKW
A1205L1546	ROCKW	A1205Q-1665	ROCKW	A1205T-748	ROCKW	A1205X-622	ROCKW
A1205M-1287	ROCKW	A1205Q-1759	ROCKW	A1205T-774	ROCKW	A1205X-752	ROCKW
A1205M-1625	ROCKW	A1205Q-1915	ROCKW	A1205T-800X	ROCKW	A1205X-804	ROCKW
A1205M-1718	ROCKW	A1205Q-1941	ROCKW	A1205T1112	ROCKW	A1205X-960	ROCKW
A1205M-429	ROCKW	A1205Q-225	ROCKW	A1205T1112	ROCKW	A1205X-960X	ROCKW
A1205M-585	ROCKW	A1205Q-329	ROCKW	A1205U-1061	ROCKW	A1205Y-1377	ROCKW
A1205M-611	ROCKW	A1205Q-407	ROCKW	A1205U-1243	ROCKW	A1205Y-1533X	ROCKW
A1205M-715	ROCKW	A1205Q-45	ROCKW	A1205U-1529	ROCKW	A1205Y-1689X	ROCKW
A1205M-897	ROCKW	A1205Q-563	ROCKW	A1205U-1635	ROCKW	A1205Y-1715	ROCKW
A1205M-897	ROCKW	A1205Q-615	ROCKW	A1205U-1685	ROCKW	A1205Y-1923	ROCKW
A1205M-897	ROCKW	A1205Q-849X	ROCKW	A1205U-1685	ROCKW	A1205Y-1975	ROCKW
A1205M2197	ROCKW	A1205Q-979X	ROCKW	A1205U-229	ROCKW	A1205Y-1975	ROCKW
A1205M2198	ROCKW	A1205Q1447	ROCKW	A1205U-297	ROCKW	A1205Y-2105	ROCKW
A1205M325	ROCKW	A1205Q173	ROCKW	A1205U-411	ROCKW	A1205Y-233	ROCKW
A1205M325	ROCKW	A1205Q2487	ROCKW	A1205U-437	ROCKW	A1205Y-263	ROCKW
A1205N-1132	ROCKW	A1205Q723	ROCKW	A1205U-515	ROCKW	A1205Y-363	ROCKW
A1205N-1288	ROCKW	A1205R-1	ROCKW	A1205U-619	ROCKW	A1205Y-415	ROCKW
A1205N-1314	ROCKW	A1205R-1	ROCKW	A1205U-697	ROCKW	A1205Y-571	KEN
A1205N-1392	ROCKW	A1205R-1344	ROCKW	A1205U-723	ROCKW	A1205Y-571	ROCKW
A1205N-1496	ROCKW	A1205R-148	ROCKW	A1205U-749	ROCKW	A1205Y-727	ROCKW
A1205N-1548	ROCKW	A1205R-148	ROCKW	A1205V-1062	ROCKW	A1205Y-909	ROCKW
A1205N-1574	ROCKW	A1205R-1552	ROCKW	A1205V-1192	ROCKW	A1205Y-961	ROCKW
A1205N-1614	ROCKW	A1205R-1604	ROCKW	A1205V-126	ROCKW	A1205Y-961	ROCKW
A1205N-1851	ROCKW	A1205R-1630	ROCKW	A1205V-1374	ROCKW	A1205Z-1014	ROCKW
A1205N-1851	ROCKW	A1205R-2124	ROCKW	A1205V-1556	ROCKW	A1205Z-1534	ROCKW
A1205N-300	ROCKW	A1205R-226	ROCKW	A1205V-1634X	ROCKW	A1205Z-156	ROCKW
A1205N-612	ROCKW	A1205R-330	ROCKW	A1205V-1660	ROCKW	A1205Z-1638X	ROCKW
A1205N-664	ROCKW	A1205R-408	ROCKW	A1205V-230	ROCKW	A1205Z-1716	ROCKW
A1205N-742	ROCKW	A1205R-564	ROCKW	A1205V-230	ROCKW	A1205Z-182	ROCKW
A1205N-846	ROCKW	A1205R-590	ROCKW	A1205V-256	ROCKW	A1205Z-1820	ROCKW
A1205N-898	ROCKW	A1205R-616	ROCKW	A1205V-386	ROCKW	A1205Z-2106	ROCKW
A1205N-898X	ROCKW	A1205R-642	ROCKW	A1205V-542	ROCKW	A1205Z-2132	ROCKW
A1205N-898X	ROCKW	A1205R2488	ROCKW	A1205V-596	ROCKW	A1205Z-286	ROCKW
A1205N1132S	ROCKW	A1205S-1033	ROCKW	A1205V-672	ROCKW	A1205Z-338	ROCKW
A1205P-1004	ROCKW	A1205S-1111X	ROCKW	A1205V-672	ROCKW	A1205Z-364	ROCKW
A1205P-1212	ROCKW	A1205S-1319	ROCKW	A1205V-723	ROCKW	A1205Z-884	ROCKW
A1205P-1238	ROCKW	A1205S-1345	ROCKW	A1205V-724	ROCKW	A1205Z-910	ROCKW
A1205P-1368	ROCKW	A1205S-1449	ROCKW	A1205V-802X	ROCKW	A1205Z-962X	ROCKW
A1205P-1368	ROCKW	A1205S-149	ROCKW	A1205V-958	ROCKW	A1208 HWY	
A1205P-1446	ROCKW	A1205S-1527	ROCKW	A1205V2102	ROCKW	A12536 WHITE	
A1205P-1449	ROCKW	A1205S-1631	ROCKW	A1205V2492	ROCKW	A125Y1533	ROCKW
A1205P-146	ROCKW	A1205S-1657	ROCKW	A1205V2492	ROCKW	A12929 CASE	
A1205P-1466	ROCKW	A1205S-617	ROCKW	A1205W-1167X	ROCKW	A12931 CASE	
A1205P-1602	ROCKW	A1205S-669	ROCKW	A1205W-1193	ROCKW	A12994 CASE	
A1205P-1680	ROCKW	A1205S-695	ROCKW	A1205W-1245	ROCKW	A12996 CASE	
A1205P-1758	ROCKW	A1205S-747	ROCKW	A1205W-1345	ROCKW	A130030 KOEH	
A1205P-1888	ROCKW	A1205S175	ROCKW	A1205W-1349	ROCKW	A1305L-194	ROCKW
A1205P-198	ROCKW	A1205S2203	ROCKW	A1205W-1375	ROCKW	A13063 WHITE	
A1205P-224	ROCKW	A1205S2489	ROCKW	A1205W-1557	ROCKW	A13262 CASE	
A1205P-2590	ROCKW	A1205S2489	ROCKW	A1205W-1687X	ROCKW	A1342001 CYCLO	
A1205P-2590	ROCKW	A1205T-1086	ROCKW	A1205W-283	ROCKW	A134Z012 CYCLO	
A1205P-276	ROCKW	A1205T-124	ROCKW	A1205W-309	ROCKW	A134Z012 GR-DV	
A1205P-276	ROCKW	A1205T-1242	ROCKW	A1205W-647	ROCKW	A13591 LONG	
A1205P-302	ROCKW	A1205T-1252	ROCKW	A1205W-647	ROCKW	A13591 LONG	
A1205P-302	ROCKW	A1205T-1424	ROCKW	A1205W1531X	ROCKW	A136563 CASE	
A1205P-328	ROCKW	A1205T-150	ROCKW	A1205W1531X	ROCKW	A136660 CASE	
A1205P-380	ROCKW	A1205T-1534	ROCKW	A1205W2467	ROCKW	A13729 WHITE	
A1205P-406	ROCKW	A1205T-1580	ROCKW	A1205W829	ROCKW	A138295 CASE	
A1205P-614	ROCKW	A1205T-1710	ROCKW	A1205X-1116	ROCKW	A139499 HYST	
A1205P-666	ROCKW	A1205T-1814	ROCKW	A1205X-128	ROCKW	A139499 HYST	
A1205P-666	ROCKW	A1205T-1944	ROCKW	A1205X-1298	ROCKW	A1400 CATER	
A1205P-848	ROCKW	A1205T-1996	ROCKW	A1205X-1532	ROCKW	A1401 CATER	
A1205P-900	ROCKW	A1205T-228	ROCKW	A1205X-1662	ROCKW	A1401 TMTR	
A1205P1914	ROCKW	A1205T-436	ROCKW	A1205X-1662	ROCKW	A140145 CASE	
A1205P2226	ROCKW	A1205T-50	ROCKW	A1205X-1688X	ROCKW	A140145 CASE	
A1205P2226	ROCKW	A1205T-634	ROCKW	A1205X-1690X	ROCKW	A1402 TMTR	
A1205Q-1317	ROCKW	A1205T-644	ROCKW	A1205X-1792	ROCKW	A1403 CATER	
						A1403 TMTR	

! Industrial Size/Type * Minor Width Difference = Call 1-800-480-1212 for price and delivery.

		Zero Duplication or Recommended				Zero Duplication or Recommended				Zero Duplication or Recommended	
Mfr. No.	Name	Industrial		Mfr. No.	Name	Industrial		Mfr. No.	Name	Industrial	
A1404	TMTR		471762!	A1805A-261	ROCKW		416706	A1805E-343	ROCKW		415371
A1405A-1	ROCKW		417316!	A1805A-365	ROCKW		415449!	A1805E-369	ROCKW		418028!
A1405A-27X	ROCKW		417601	A1805A-417	ROCKW		417344!	A1805E-369	ROCKW		455137
A1405C-3	ROCKW		471267!	A1805A-443	ROCKW		353120	A1805E-395	ROCKW		417570
A1405D-30X	ROCKW		417357	A1805A-495	ROCKW		415995!	A1805E-447	ROCKW		472164 =
A1405D-4	ROCKW		254287	A1805A-53	ROCKW		472636!	A1805E-473	ROCKW		415035
A1405E-5	ROCKW		415072	A1805A-547	ROCKW		417353!	A1805E-499	ROCKW		417269
A1405F-6	ROCKW		471224!	A1805A-573	ROCKW		471341	A1805E-5	ROCKW		415023
A1405G-7	ROCKW		472636!	A1805A-625	ROCKW		416271!	A1805E-57	ROCKW		473444
A1405K-11	ROCKW		472299	A1805A-79	ROCKW		415001!	A1805E-577	ROCKW		415447
A1405P-42X	ROCKW		417357	A1805A183	ROCKW		471192	A1805E-603	ROCKW		472397!
A1405Q-17	ROCKW		411253!	A1805A235	ROCKW		471785!	A1805E-695	ROCKW		473214!
A1405S-45X	ROCKW		476470!	A1805A382	ROCKW		471192	A1805E109	ROCKW		471192
A1405S-45X	ROCKW		476470	A1805B-106	ROCKW		470950!	A1805F-110	ROCKW		472144!
A1405W-23	ROCKW		471504	A1805B-106	ROCKW		6241S	A1805F-136	ROCKW		412119!
A1405W-49	ROCKW		473010 =	A1805B-132	ROCKW		415045!	A1805F-162	ROCKW		417487!
A1405X-50	ROCKW		471276 =	A1805B-2	ROCKW		417487	A1805F-162	ROCKW		417487
A1405Y-51	ROCKW		415192N	A1805B-236	ROCKW		472015!	A1805F-240	ROCKW		415656
A1405Z-52	ROCKW		417601 =	A1805B-262	ROCKW		415458!	A1805F-500	ROCKW		473467!
A140930	CASE		416961 =	A1805B-262X	ROCKW		415984!	A1805F-526	ROCKW		473204
A1410	TMTR		200354	A1805B-28	ROCKW		472636!	A1805F-552	ROCKW		473244!
A14160	WHITE		472636!	A1805B-288	ROCKW		471341!	A1805F-578	ROCKW		415449!
A14161	WHITE		473228	A1805B-314	ROCKW		473179!	A1805F-58	ROCKW		455151
A14162	WHITE		471750!	A1805B-340	ROCKW		415725!	A1805F-630	ROCKW		450540
A14163	WHITE		450593!	A1805B-366	ROCKW		481163!	A1805F-708	ROCKW		417621
A14164	WHITE		470050	A1805B-392	ROCKW		415854	A1805G-319	ROCKW		472144!
A14216	WILYS		6074	A1805B-415	ROCKW		417602!	A1805G-371	ROCKW		471984
A1423	JA-HE		471442!	A1805B-418	ROCKW		417602!	A1805G-423	ROCKW		415379
A142927	CASE		477609 =	A1805B-470	ROCKW		450362	A1805G-579	ROCKW		473232
A143754	MASSE		415449!	A1805B-496	ROCKW		416706	A1805G-59	ROCKW		472394
A1443	OLIVE		450040	A1805B-54	ROCKW		472924!	A1805G-605	ROCKW		412473!
A1443A	OLIVE		417196!	A1805B-548	ROCKW		415437	A1805G-631	ROCKW		450930 =
A1443B	GAL		417356!	A1805B-574	ROCKW		470898	A1805G-683	ROCKW		471271!
A1443B	GAL		455188	A1805B-678	ROCKW		417603!	A1805G-709	ROCKW		416624*
A1443B	HOUGH		417356!	A1805B-730	ROCKW		417269* =	A1805G-85	ROCKW		476838!
A1443B	HOUGH		455188	A1805B-80	ROCKW		415960	A1805H-138	ROCKW		471354!
A1443B	OLIVE		417356!	A1805C-107	ROCKW		472394	A1805H-1386X	ROCKW		417603!
A1443B	OLIVE		455188	A1805C-133	ROCKW		473232	A1805H-164	ROCKW		416404!
A1443C	OLIVE		472157!	A1805C-159	ROCKW		472164!	A1805H-190	ROCKW		415142
A1443C	OLIVE		472157	A1805C-185	ROCKW		415725!	A1805H-294	ROCKW		412871!
A14538	AMC		471442!	A1805C-237	ROCKW		473474	A1805H-372	ROCKW		50254 =
A14629	JOHND		200110	A1805C-263	ROCKW		55358 =	A1805H-398	ROCKW		470898
A14813	CASE		470898 =	A1805C-29	ROCKW		416865!	A1805H-424	ROCKW		455509
A148456	ALLCH		472012	A1805C-3	ROCKW		415960!	A1805H-450	ROCKW		470530!
A14987	CASE		472409!	A1805C-315	ROCKW		470898	A1805H-502	ROCKW		8557 =
A149A	BR-WN		470334!	A1805C-367	ROCKW		473450	A1805H-580	ROCKW		416107!
A151	IRON		470334!	A1805C-419	ROCKW		470565!	A1805H-60	ROCKW		472016
A152352	CASE		477673V =	A1805C-445	ROCKW		472164 =	A1805H-606	ROCKW		473228!
A152353	CASE		477674V =	A1805C-523	ROCKW		481678 =	A1805H-86	ROCKW		473211!
A152354	CASE		477586V =	A1805C-549	ROCKW		472439	A1805J-140	ROCKW		471766!
A153036	CASE		415449	A1805C-575	ROCKW		417247!	A1805J-166	ROCKW		416288
A155226	CASE		415559	A1805C-627	ROCKW		473463 =	A1805J-192	ROCKW		471224!
A156423	CASE		3502* =	A1805C289	ROCKW		471192	A1805J-218	ROCKW		472492!
A156424	CASE		3503* =	A1805C705	ROCKW		370064A	A1805J-296	ROCKW		472164!
A156425	JOHND		3123* =	A1805D-134	ROCKW		472179	A1805J-348	ROCKW		470898!
A156426	JOHND		3124* =	A1805D-160	ROCKW		450084!	A1805J-374	ROCKW		415303!
A156577	CASE		473458!	A1805D-186	ROCKW		473203	A1805J-400	ROCKW		472299
A1625	CATER		481864	A1805D-212	ROCKW		417484!	A1805J-478	ROCKW		416364!
A1625	TMTR		481864	A1805D-290	ROCKW		473234!	A1805J-530	ROCKW		415138!
A16356	CASE		417262!	A1805D-316	ROCKW		415498	A1805J-556	ROCKW		417205!
A164658	CASE		417485	A1805D-342	ROCKW		417597	A1805J-608	ROCKW		417134
A16524	OLIVE		471224!	A1805D-368	ROCKW		471276	A1805J-62	ROCKW		415995!
A16653	CASE		455330!	A1805D-4	ROCKW		417158!	A1805J-686	ROCKW		472492!
A175836	AU-WS		416654!	A1805D-498X	ROCKW		472439	A1805K-11	ROCKW		416288!
A1797	TMTR		471689!	A1805D-550	ROCKW		470530!	A1805K-141	ROCKW		473471
A18000	CASE		456967N =	A1805D-56	ROCKW		473226	A1805K-193	ROCKW		470530!
A18000	CASE		456967V!	A1805D-576	ROCKW		100494	A1805K-245	ROCKW		473214
A1805A-1	ROCKW		415023	A1805D-576	ROCKW		476470!	A1805K-297	ROCKW		415035
A1805A-131	ROCKW		412943	A1805D-82	ROCKW		472636!	A1805K-37	ROCKW		470334!
A1805A-157	KEN		473228!	A1805E-135	ROCKW		416921!	A1805K-375	ROCKW		470565!
A1805A-157	ROCKW		473228 =	A1805E-187	ROCKW		412473!	A1805K-427	ROCKW		450090
A1805A-209	ROCKW		473473	A1805E-239	ROCKW		455330!	A1805K-531	ROCKW		470565!

! Industrial Size/Type * Minor Width Difference = Call 1-800-480-1212 for price and delivery.

ALPHABETICAL

Zero Duplication or Recommended Industrial		Zero Duplication or Recommended Industrial		Zero Duplication or Recommended Industrial		Zero Duplication or Recommended Industrial	
Mfr. No.	Name	Mfr. No.	Name	Mfr. No.	Name	Mfr. No.	Name
A1805P-588	ROCKW	A1805T-514	ROCKW	A1805Y-285	ROCKW	A215F-964	ROCKW
A1805P-666	ROCKW	A1805T-514X	ROCKW	A1805Y-337	ROCKW	A21878	CASE
A1805P-718	ROCKW	A1805T-540	ROCKW	A1805Y-51	ROCKW	A2208N-820	ROCKW
A1805P94	ROCKW	A1805T-618	ROCKW	A1805Y-519	ROCKW	A221	VIC
A1805Q-199	ROCKW	A1805T-722	ROCKW	A1805Y-545	ROCKW	A222	VIC
A1805Q-225	ROCKW	A1805T-98	ROCKW	A1805Y-571X	ROCKW	A2231	VIC
A1805Q-277	ROCKW	A1805TSG-1	ROCKW	A1805Y-597	ROCKW	A223897	GMC
A1805Q-303	ROCKW	A1805U-151	ROCKW	A1805Y-727	ROCKW	A223898	CASE
A1805Q-307	ROCKW	A1805U-177	ROCKW	A1805Y-77	ROCKW	A223899	CASE
A1805Q-381	ROCKW	A1805U-203	ROCKW	A1805Y207	ROCKW	A224	VIC
A1805Q-407	ROCKW	A1805U-281	ROCKW	A1805Y311	ROCKW	A224015	CASE
A1805Q-433	ROCKW	A1805U-307	ROCKW	A1805Y401	ROCKW	A2241	VIC
A1805Q-485	ROCKW	A1805U-333	ROCKW	A1805Y401	ROCKW	A225	VIC
A1805Q-537	ROCKW	A1805U-381	ROCKW	A1805Y493	ROCKW	A2262	VIC
A1805Q-563	ROCKW	A1805U-47	ROCKW	A1805Z-104	ROCKW	A227	VIC
A1805Q-589	ROCKW	A1805U-515	ROCKW	A1805Z-130	ROCKW	A228	VIC
A1805Q-615	ROCKW	A1805U-541	ROCKW	A1805Z-234	ROCKW	A228	VIC
A1805Q-667	ROCKW	A1805U-567	ROCKW	A1805Z-26	ROCKW	A2281	VIC
A1805Q-667	ROCKW	A1805U-645	ROCKW	A1805Z-260	ROCKW	A2291	VIC
A1805Q-693	ROCKW	A1805U-723	ROCKW	A1805Z-286	ROCKW	A230	VIC
A1805Q-95	ROCKW	A1805U255	ROCKW	A1805Z-338	ROCKW	A230	VIC
A1805Q69	ROCKW	A1805V-152	ROCKW	A1805Z-364	ROCKW	A231	VIC
A1805Q69	ROCKW	A1805V-256	ROCKW	A1805Z-442	ROCKW	A232	VIC
A1805R-122	ROCKW	A1805V-308	ROCKW	A1805Z-494	ROCKW	A235	VIC
A1805R-174	ROCKW	A1805V-386	ROCKW	A1805Z-494X	ROCKW	A237	VIC
A1805R-174	ROCKW	A1805V-490	ROCKW	A1805Z-52	ROCKW	A23903	CASE
A1805R-200	ROCKW	A1805V-516	ROCKW	A1805Z-520	ROCKW	A24122	CASE
A1805R-226	ROCKW	A1805V-516X	ROCKW	A1805Z-546	ROCKW	A24122	CASE
A1805R-278	ROCKW	A1805V-542	ROCKW	A1805Z-572	ROCKW	A245	SPICE
A1805R-304	ROCKW	A1805V-568	ROCKW	A1805Z-598	ROCKW	A2471	TMTR
A1805R-330	ROCKW	A1805V-620	ROCKW	A1805Z182	ROCKW	A249A	BR-WN
A1805R-356	ROCKW	A1805V-724	ROCKW	A18185	CASE	A25153	CASE
A1805R-408	ROCKW	A1805V-74	ROCKW	A187	SPICE	A25235	CASE
A1805R-538	ROCKW	A1805V334	ROCKW	A187	TRUK	A25244	CASE
A1805R-564	ROCKW	A1805W-101	ROCKW	A19284	OLIVE	A25407	CASE
A1805R-590	ROCKW	A1805W-127	ROCKW	A193983	IH	A25618	AMC
A1805R-616	ROCKW	A1805W-257	ROCKW	A19630	TIMKE	A256A	OLIVE
A1805R-694	ROCKW	A1805W-335	ROCKW	A1978	JAC	A25897	WHITE
A1805R-96	ROCKW	A1805W-413	ROCKW	A1ES17908	ROCKW	A26190	WHITE
A1805R382	ROCKW	A1805W-439	ROCKW	A1ES20065	ROCKW	A26190	WHITE
A1805S-123	ROCKW	A1805W-465	ROCKW	A1ES20065	ROCKW	A26191	WHITE
A1805S-149	ROCKW	A1805W-517	ROCKW	A1ES20179	ROCKW	A261997	GMC
A1805S-19	ROCKW	A1805W-543	ROCKW	A20288	CASE	A26207	WHITE
A1805S-220	ROCKW	A1805W-569	ROCKW	A205F-1019	ROCKW	A26365	WHITE
A1805S-227	ROCKW	A1805W-595	ROCKW	A205F-1023	ROCKW	A26409	US-EL
A1805S-253	ROCKW	A1805W-647	ROCKW	A205F-1029	ROCKW	A26410	US-EL
A1805S-279	ROCKW	A1805W-725	ROCKW	A205F-1029	ROCKW	A26500	WHITE
A1805S-305	ROCKW	A1805W153	ROCKW	A205F-1032	ROCKW	A265638	MASSE
A1805S-331	ROCKW	A1805X-104	ROCKW	A205F-1034	ROCKW	A26586	KOEH
A1805S-357	ROCKW	A1805X-128	KEN	A205F-1034	ROCKW	A265987	THEW
A1805S-383	ROCKW	A1805X-128	ROCKW	A205F-713	ROCKW	A265987	THEW
A1805S-409	ROCKW	A1805X-154	ROCKW	A205F-713	ROCKW	A26671	WHITE
A1805S-487	ROCKW	A1805X-206	ROCKW	A205F-841	ROCKW	A26758	CASE
A1805S-513	ROCKW	A1805X-232	ROCKW	A205F-847	ROCKW	A26759	CASE
A1805S-539	ROCKW	A1805X-258	ROCKW	A205F-847	ROCKW	A26760	CASE
A1805S-565	ROCKW	A1805X-260	ROCKW	A205F-863	ROCKW	A26770	CASE
A1805S-617	ROCKW	A1805X-284	ROCKW	A205F-886	ROCKW	A26777	CASE
A1805S-643	ROCKW	A1805X-286	ROCKW	A205F-911	ROCKW	A26778	CASE
A1805S-643	ROCKW	A1805X-336	ROCKW	A205F-911	ROCKW	A26842	CASE
A1805S-643	ROCKW	A1805X-337	ROCKW	A205F-939	ROCKW	A26849	CASE
A1805S-71	ROCKW	A1805X-362	ROCKW	A205F-960	ROCKW	A26862	CASE
A1805S-721	ROCKW	A1805X-518	ROCKW	A205F-969	ROCKW	A26870	THEW
A1805S775	ROCKW	A1805X-544	ROCKW	A205F-997	ROCKW	A26987	THEW
A1805T-124	ROCKW	A1805X648	ROCKW	A205P-1022	ROCKW	A26987	THEW
A1805T-20	ROCKW	A1805Y-103	ROCKW	A205P-1024	ROCKW	A27086	WHITE
A1805T-228	ROCKW	A1805Y-105	ROCKW	A206X	FMC	A27086	WHITE
A1805T-254	ROCKW	A1805Y-129	ROCKW	A2075	MINNM	A27130	CASE
A1805T-306	ROCKW	A1805Y-155	KEN	A207X	FMC	A272	COTTA
A1805T-358	ROCKW	A1805Y-155	ROCKW	A20939	CASE	A272	COTTA
A1805T-384	ROCKW	A1805Y-233	ROCKW	A212039	GMC	A27342	CASE
A1805T-410	ROCKW	A1805Y-233	ROCKW	A212040	GMC	A27355	CASE
A1805T-488	ROCKW	A1805Y-259	ROCKW	A21273	ROCKW		

! Industrial Size/Type * Minor Width Difference = Call 1-800-480-1212 for price and delivery.

Zero Duplication or Recommended		Zero Duplication or Recommended		Zero Duplication or Recommended		Zero Duplication or Recommended	
Mfr. No.	Name	Industrial	Mfr. No.	Name	Industrial	Mfr. No.	Name
A27415	CASE	415458!	A321783R91 IH		417602 =	A405F-4 ROCKW	455583N!
A27464	CASE	455566	A32275X WHITE		412920!	A4068128 BRWNG	471516!
A276919	NAPCO	450398	A32304 CASE		413247!	A4068771 BRWNG	470989
A276919	NAPCO	471267!	A32305 CASE		415984!	A4068797 BRWNG	471612
A27701	WHITE	416738!	A32308 CASE		340849	A4068813 BRWNG	481397
A27701	WHITE	450096	A32419 CASE		J1103	A4068821 BRWNG	471612
A27705	CASE	417344!	A32583 WHITE		473213!	A4068839 BRWNG	481859
A27838	CASE	415458!	A3262C-133 ROCKW		HU009A	A4080388 BRWNG	473458!
A279A	OLIVE	472705!	A3262D-264 ROCKW		HU149A	A4107 TMTR	471264
A28	LAVIN	471652	A3262G-215 ROCKW		HU024A	A4179 CASE	471504!
A28096	THEW	472636!	A3262M-169 ROCKW		HU013A	A41814 CASE	471499
A28138	CASE	415379	A3262N-222 ROCKW		HU036A	A43103 THEW	416476!
A28164	WHITE	415988	A3262Q-277 ROCKW		HU065A	A43125 THEW	416239!
A28187	CASE	418028	A3262Q-407 ROCKW		H075	A43146 THEW	417602!
A28187	CASE	455137!	A32803 CASE		J1125	A4330 BLUE	472193!
A28192	WHITE	470530!	A32807 CASE		417499	A447 JAC	471137
A282298	EATON	5M867	A331 VIC		16250	A45350 TROS	9015S
A28238	CASE	473214	A332 VIC		16251	A45351 TROS	484058
A28317	CASE	471649!	A333 VIC		16252	A45352S TROS	8597S
A28549	CASE	415458!	A334 VIC		16253	A45353S TROS	473228
A287818	CASE	411245!	A334G VIC		16254	A45357S TROS	8429S
A28963	WHITE	474281!	A335 VIC		16255	A45358S TROS	8549S
A29287EX	OLIVE	471766!	A336 VIC		16256	A45360S TROS	472082
A293811	MASSE	415351!	A337 VIC		16257	A45363S TROS	332062
A29424	CASE	473367!	A33734 CASE		471195!	A45364S TROS	473445
A29424	CASE	473367	A338 VIC		16258	A45365P TROS	8460N
A296173	CHRY	417621!	A338542R91 IH		5302 =	A45366S TROS	8430S
A29762	WHITE	471224!	A339 VIC		16259	A45369P TROS	8460N
A2TZ7052A	FORD	410059	A340 VIC		16260	A45400 TROS	470712!
A2TZ7052A	FORD	470380!	A34009 TROS		HU009A	A45406S TROS	473010!
A30102	CASE	455134!	A341 VIC		16261	A45408S TROS	1010 =
A3018A	GAL	473228!	A342 VIC		16262	A45409S TROS	471192
A3018A	HOUGH	473228!	A343 VIC		16263	A45410 TROS	1012
A3018A	OLIVE	473228!	A344 VIC		16264	A45410 TROS	1012N
A3019A	GAL	473228	A345 VIC		16265	A45411S TROS	472492!
A3019A	HOUGH	473228	A346 VIC		16266	A45413 TROS	472164!
A3019A	OLIVE	473228	A34656 CASE		415150!	A45414 TROS	472258!
A3019B	OLIVE	472394	A347 VIC		16267	A45418S TROS	1020
A30302	CASE	473426	A3517 CATER		473010!	A45420 TROS	471787!
A30323	CASE	472287!	A3517 TMTR		473010!	A45426 TROS	472299
A3035	GAL	471570!	A353 VIC		16216	A45428 TROS	471571
A3035	HOUGH	471570!	A35340 WHITE		473215!	A45431 TROS	330385!
A3035	OLIVE	471570!	A35372 WHITE		417316!	A45433 TROS	1035 =
A30380	CASE	473466	A35414 WHITE		472234	A45435 TROS	1037
A30501	CASE	472636!	A35585 THEW		55030	A45437 TROS	226020
A30527	CASE	471192	A356 VIC		16205	A45437 TROS	60X80X8!
A30559	CASE	471766!	A356005R1 NAVST		421	A45438 TROS	1040 =
A30590	CASE	471529	A35650 WHITE		472164!	A45439S TROS	1041
A30600	CASE	471539!	A35652 WHITE		415025	A45443S TROS	473238!
A30606	CASE	471341!	A35848 WHITE		40566S	A45447S TROS	1049
A30639	WHITE	412920!	A362X4 CASE		50199S!	A45458 TROS	224045
A30684	AMC	471255!	A362X4 CASE		6863S!	A45458 TROS	40X62X12!
A30721	DURA	473214!	A364X17 CASE		472354!	A45460 TROS	1062 =
A3105	OLIVE	472157!	A364X3 BU-SP		330385!	A45463 TROS	470898
A3105	OLIVE	472157	A36609 CASE		473467	A45466 TROS	2551
A3106	TMTR	323138!	A37147 CASE		412871!	A45468 TROS	1070 =
A3107	AM CA	417316!	A37558 CASE		471281!	A45472 TROS	472164!
A31101	LEROI	450446	A37611 CASE		471192	A45475 TROS	1077 =
A3111	HOUGH	416271!	A37647 CASE		472350!	A45476 TROS	224040
A3111	OLIVE	416271!	A380859 CHRY		41686S!	A45476 TROS	40X60X10!
A31139	LEROI	473225!	A380861 CHRY		415645!	A45489 TROS	1091 =
A31171	LEROI	450803	A380861 CHRY		455104	A45492 TROS	1094 =
A31178	CASE	471554!	A38231 CASE		412871!	A45495 TROS	1097N
A31179	LEROI	471554!	A383 TMTR		473442!	A45496 TROS	471224!
A31205V-542	ROCKW	5473 \$	A3868AB CASE		473215!	A45508 TROS	1110
A31228	CASE	473215!	A39110 CASE		472015 =	A45513 TROS	416664!
A313903R91 IH		415227 =	A39273 CASE		471341!	A45518 TROS	471195!
A31396	LEROI	471554	A39441 CASE		471442!	A45521 HYST	473226
A32015	CASE	415137!	A39453 CASE		472354!	A45534 TROS	222510
A32015	CASE	418028	A39666 CASE		473010!	A45534 TROS	25X35X7!
A321009R91 IH		5581 =	A3994 CASE		415458!	A45537 TROS	227040
A321148R91 IH		5592 =	A405F-2 ROCKW		55337	A45537 TROS	70X90X10!
A45538	TROS	1163 =				A45538 TROS	1163 =
A45542S	TROS	2443				A45542S TROS	2443
A45543S	TROS	2503				A45543S TROS	2503
A45543S	TROS	2503N				A45543S TROS	2503N
A45544S	TROS	2551				A45544S TROS	2551
A45545S	TROS	2669				A45545S TROS	2669
A45549S	TROS	1174				A45549S TROS	1174
A45549S	TROS	38X52X8.5!				A45549S TROS	38X52X8.5!
A45553S	TROS	224015				A45553S TROS	224015
A45556S	TROS	1181				A45556S TROS	1181
A45556S	TROS	41X56X7!				A45556S TROS	41X56X7!
A45557S	TROS	1167				A45557S TROS	1167
A45558S	TROS	1183				A45558S TROS	1183
A45563S	TROS	1188				A45563S TROS	1188
A45564	TROS	1960				A45564 TROS	1960
A45565	TROS	1955				A45565 TROS	1955
A45565	TROS	52X65X9!				A45565 TROS	52X65X9!
A45570S	TROS	1195				A45570S TROS	1195
A45583S	TROS	1208				A45583S TROS	1208
A45583S	TROS	48X72X7!				A45583S TROS	48X72X7!
A45584S	TROS	1209				A45584S TROS	1209
A45588	TROS	1213N				A45588 TROS	1213N
A45599	CASE	471765!				A45599 CASE	471765!
A45605K	TROS	5405				A45605K TROS	5405
A45612	TROS	5070				A45612 TROS	5070
A45613K	TROS	5072				A45613K TROS	5072
A45645	TROS	5246				A45645 TROS	5246
A45658K	TROS	5313				A45658K TROS	5313
A45664K	TROS	5201				A45664K TROS	5201
A45701K	TROS	7512SSO				A45701K TROS	7512SSO
A45703K	TROS	5403				A45703K TROS	5403
A45705K	TROS	5405				A45705K TROS	5405
A45706K	TROS	5406				A45706K TROS	5406
A45708K	TROS	5408				A45708K TROS	5408
A45710K	TROS	5410				A45710K TROS	5410
A45714K	TROS	5414				A45714K TROS	5414
A45719K	TROS	5419				A45719K TROS	5419
A45731K	TROS	5585				A45731K TROS	5585
A45752K	TROS	5452				A45752K TROS	5452
A45753K	TROS	5453				A45753K TROS	5453
A45758K	TROS	5458				A45758K TROS	5458
A45760K	TROS	5460				A45760K TROS	5460
A45762K	TROS	5462				A45762K TROS	5462
A45764K	TROS	370002A				A45764K TROS	370002A
A45765K	TROS	417506				A45765K TROS	417506
A45767K	TROS	370019A				A45767K TROS	370019A
A45768K	TROS	370005A				A45768K TROS	370005A
A45771K	TROS	370027A				A45771K TROS	370027A
A45772K	TROS	5472 =				A45772K TROS	5472 =
A45773K	TROS	5473				A45773K TROS	5473
A45775K	TROS	417505				A45775K TROS	417505
A45775K	TROS	5475				A45775K TROS	5475
A45779K	TROS	5479				A45779K TROS	5479
A45781K	TROS	370003A				A45781K TROS	370003A
A45787K	TROS	5487				A45787K TROS	5487
A45788K	TROS	5589				A45788K TROS	5589
A45794K	TROS	5494				A45794K TROS	5494
A45795K	TROS	370006A				A45795K TROS	370006A
A45798K	TROS	5499 =				A45798K TROS	5499 =
A45800K	TROS	370003A				A45800K TROS	370003A
A45801K	TROS	370006A				A45801K TROS	370006A
A45807K	TROS	417506				A45807K TROS	417506
A45807K	TROS	5089				A45807K TROS	5089
A45807K	TROS	5563				A45807K TROS	5563
A45810K	TROS	5092				A45810K TROS	5092
A45813K	TROS	5072				A45813K TROS	5072
A45816K	TROS	5573				A45816K TROS	5573
A45817K	TROS	5576				A45817K TROS	5576
A45818K	TROS	5095				A45818K TROS	5095
A45819K	TROS	5578				A45819K TROS	5578
A45822K	TROS	5585				A45822K TROS	5585
A45823K	TROS	5072				A45823K TROS	5072

Zero Duplication or Recommended		Zero Duplication or Recommended		Zero Duplication or Recommended		Zero Duplication or Recommended		
Mfr. No.	Name	Industrial	Mfr. No.	Name	Industrial	Mfr. No.	Name	
A45824	TROS	5587	A46277	TROS	6180 =	A46531S	TROS	485497
A45825K	TROS	5589	A46281	TROS	470354	A46533	TROS	6703S
A45826K	TROS	5591	A46300	TROS	473214	A46533S	TROS	6703S
A45828K	TROS	5596 =	A46303	TROS	6966S	A46534	TROS	470712
A45829K	TROS	5095	A46304	TROS	410987 =	A46537	TROS	205004
A45905S	TROS	353135	A46307	TROS	6222	A46538S	TROS	473179
A45905S	TROS	474278	A46310	TROS	471271!	A46547S	TROS	412473!
A45918	TROS	450666	A46317	TROS	6241S	A46548S	TROS	6754S =
A45922	TROS	5711	A46319	TROS	6245S =	A46549	TROS	416892
A45932	TROS	5727	A46325	TROS	370008A	A46550S	TROS	6759S
A45937	TROS	472016	A46326S	TROS	6283S	A46551S	TROS	6760S
A45948	TROS	5751	A46332	TROS	6312	A46553S	TROS	311189
A45950	TROS	5756	A46335	TROS	6324S =	A46557S	TROS	417134
A45952	TROS	5759 =	A46336	TROS	493291	A46558	TROS	6781
A45957	TROS	471141!	A46337	TROS	3210	A46560	TROS	6785
A45961	TROS	5778	A46338S	TROS	415284	A46562S	TROS	370001A
A45974	TROS	473450!	A46341S	TROS	6336S	A46563S	TROS	471570!
A45976	TROS	471316	A46342	TROS	473435	A46601S	TROS	471264!
A45977	TROS	5797	A46344	TROS	450776!	A46602S	TROS	481443!
A45981	TROS	414045!	A46349S	TROS	6357S	A46603	TROS	6808N
A45987	TROS	450307	A46350	TROS	6358	A46606	TROS	6815
A45988	TROS	6064	A46353	TROS	473235	A46606S	TROS	6815
A45992	TROS	470898	A46356S	TROS	6370N	A46607	TROS	6818
A45998	TROS	472179	A46358	TROS	470774!	A46609S	TROS	473229
A46002	TROS	473228	A46361	TROS	6380	A46610S	TROS	6832S
A46004	TROS	5836	A46401S	TROS	6402S =	A46611S	TROS	417506
A46009	TROS	6064	A46405	TROS	471442!	A46612S	TROS	470954
A46016	TROS	471224	A46405S	TROS	471442!	A46613	TROS	6840S
A46020	TROS	5865	A46409	TROS	483054N	A46615	TROS	7600S
A46025	TROS	5871	A46413	TROS	472354!	A46619S	TROS	6846S =
A46026S	TROS	472258	A46414	TROS	471267	A46620S	TROS	6847S
A46029	TROS	455280	A46415	TROS	473228	A46626S	TROS	6855N =
A46031	TROS	5877	A46421S	TROS	417349!	A46627S	TROS	410496!
A46049	TROS	473228	A46429	TROS	370002A	A46628S	TROS	471267!
A46052	TROS	200354	A46434	TROS	6465	A46629S	TROS	417210!
A46052S	TROS	200354	A46437	TROS	6465	A46630S	TROS	6863S!
A46054	TROS	5921	A46441	TROS	417223	A46631	TROS	417505
A46055	TROS	455151	A46447S	TROS	455566	A46633S	TROS	370005A
A46057	TROS	5924	A46450	TROS	471829	A46634S	TROS	370027A
A46070	TROS	5951	A46453	TROS	6356	A46635S	TROS	417254
A46071S	TROS	5957S	A46454	TROS	472015!	A46636S	TROS	473234!
A46073	TROS	370036A	A46458	TROS	6513	A46637S	TROS	471827
A46073	TROS	370349A	A46460	TROS	410708	A46638S	TROS	473367!
A46073	TROS	380036A	A46461	TROS	6522S	A46638S	TROS	473367
A46074	TROS	5965	A46466	TROS	6532S =	A46639R	TROS	470898!
A46076	TROS	203034	A46468	TROS	480630	A46640S	TROS	473235!
A46077	TROS	5971	A46469	TROS	6547	A46646	TROS	6886S
A46079	TROS	5976S	A46474S	TROS	415449!	A46647S	TROS	415449!
A46079S	TROS	7840S	A46475	TROS	455134	A46648	TROS	6897 =
A46081	TROS	471526!	A46477	TROS	416888!	A46650S	TROS	6906S
A46088	TROS	470625!	A46478	TROS	6575S	A46657	TROS	6930
A46214	TROS	415437	A46481	TROS	418028	A46658	TROS	9568
A46222	TROS	415899N	A46483S	TROS	6590S	A46659S	TROS	471141
A46222	TROS	416624	A46485S	TROS	6592S =	A46661S	TROS	7686S
A46234	TROS	6064	A46488S	TROS	6597S	A46662S	TROS	6952S =
A46235	TROS	413478	A46501S	TROS	6612S	A46663	TROS	44052
A46238	TROS	6074	A46509S	TROS	370030A	A46664	TROS	6954S
A46240	TROS	6077	A46510S	TROS	6636S	A46664S	TROS	6954S
A46242	TROS	412871!	A46514	TROS	471267!	A46665	TROS	44053
A46243	TROS	473473	A46515S	TROS	6643S	A46666	TROS	6960
A46244	TROS	353141!	A46516	TROS	6644	A46668S	TROS	3103!
A46247	TROS	6090S	A46517S	TROS	9613S	A46670	TROS	6966S
A46248	TROS	471442!	A46518S	TROS	470954!	A46671	TROS	203008
A46250	TROS	6098 =	A46519	TROS	6649	A46672	TROS	6985
A46251	TROS	6101	A46521S	TROS	473234!	A46673R	TROS	473459
A46254	TROS	7107A =	A46524	TROS	6663S	A46675S	TROS	474278
A46257	TROS	473463	A46525S	TROS	6668S	A46675S	TROS	6859S
A46258	TROS	410708	A46528	TROS	471413!	A46800S	TROS	370006A
A46260	TROS	470954	A46530S	TROS	470605!	A46801S	TROS	7013S
A46261	TROS	6127	A46531	TROS	417355!	A46802S	TROS	7014S
A46272	TROS	472924	A46531	TROS	485497	A46803R	TROS	7018N =
A46273	TROS	452222!	A46531S	TROS	417355!	A46806S	TROS	473317

! Industrial Size/Type = Call 1-800-480-1212 for price and delivery.

Zero Duplication or Recommended		Zero Duplication or Recommended		Zero Duplication or Recommended		Zero Duplication or Recommended		
Mfr. No.	Name	Mfr. No.	Name	Mfr. No.	Name	Mfr. No.	Name	
A46905S	TROS	474278	A49006S	TROS	415995!	A51039	TROS	415991
A46906S	TROS	7896S	A49010	TROS	476470	A51039	TROS	415991!
A46908S	TROS	7399S!	A49011	TROS	415023	A51041	TROS	417191
A47002S	TROS	8059S	A49014	TROS	415036	A511	VIC	16305
A47004	TROS	8610	A49015	TROS	416891!	A512	VIC	16307
A47005	TROS	8121S	A49017S	TROS	416271!	A51748	FAIRB	471787!
A47005S	TROS	8121S	A49018	TROS	415449!	A51749	GMC	410102
A47006S	TROS	8133S	A49019	TROS	417343!	A51765	FAIRB	473205
A47007	TROS	8139	A49021	TROS	417351!	A51948	CASE	473490
A47009	TROS	8168 =	A49023S	TROS	415379	A51977	TROS	473238!
A47010	TROS	472070	A49024	TROS	417205!	A51994	GMC	415021
A47011	TROS	8243	A49026S	TROS	415192N	A52000	TROS	471466!
A47012	TROS	8724S	A49027	TROS	416556!	A52001	TROS	471554!
A47013S	TROS	8293S	A49027	TROS	472157	A52002	TROS	473215!
A47015S	TROS	8370S	A49029S	TROS	416154!	A52003	TROS	470380!
A47016S	TROS	8421S	A49030	TROS	417247!	A52005	TROS	473367!
A48002	TROS	471526!	A49030S	TROS	417247!	A52006	TROS	473228!
A48004	TROS	471750!	A49032S	TROS	416706!	A52007	TROS	473228!
A48005	TROS	473215!	A49033S	TROS	417349!	A52008	TROS	472185!
A48006	TROS	410059	A49034	TROS	415991	A52009	TROS	471466!
A48006	TROS	470380!	A49034S	TROS	415991	A52010	TROS	472924!
A48006S	TROS	410059	A49035S	TROS	415379	A52012	TROS	470530!
A48006S	TROS	470380!	A49036	TROS	417492	A52014	TROS	411253!
A48008	TROS	474264	A49039	TROS	415656	A52015	TROS	412119
A48011	TROS	473228!	A49040S	TROS	418028	A52016	TROS	471192
A48012	TROS	472185!	A49042S	TROS	415899N	A52019S	TROS	471766!
A48013S	TROS	472439	A49042S	TROS	416624	A52022S	TROS	472179
A48014	TROS	472924!	A50065	CASE	471821 =	A52023	TROS	473179!
A48016	TROS	470530!	A50085	CASE	470898	A52024	TROS	472394
A48018	TROS	473464	A50097	CASE	415995!	A52025	TROS	472397!
A48020	TROS	412119!	A5013	DANMA	417487	A52027	TROS	410308
A48022	TROS	473467!	A50252	CASE	476535N =	A52029S	TROS	472636!
A48023	TROS	471224!	A50257	TROS	5462	A52030	TROS	472164!
A48024S	TROS	472409!	A50420	CASE	476535	A52031	TROS	473448
A48025	TROS	472826!	A50422	CASE	417344!	A52032	TROS	470898
A48026	TROS	412920!	A50423	CASE	471689!	A52034	TROS	472492!
A48027	TROS	471192	A50424	CASE	470898	A52035	TROS	473227!
A48028S	TROS	470625!	A50425	CASE	473228 =	A52037	TROS	471271!
A48029	TROS	470954!	A505	VIC	16300	A52039S	TROS	470565!
A48031	TROS	472287!	A50594	TROS	472258	A52040	TROS	450666
A48035	TROS	471763	A506	VIC	16301	A52042	TROS	415001!
A48036	TROS	471765!	A50626	FAIRB	471567!	A52043	TROS	415458!
A48037S	TROS	471766!	A507	VIC	16302	A52044	TROS	417316!
A48038	TROS	471801!	A508	VIC	16303	A52044S	TROS	417316!
A48039S	TROS	473016!	A509	VIC	16306	A52046	TROS	415960
A48042	TROS	472179	A50981	FAIRB	471766!	A52047	TROS	416921!
A48045	TROS	471649!	A50981A	FAIRB	471766!	A52048S	TROS	416654
A48047	TROS	470712!	A510	VIC	16304	A52049S	TROS	415995!
A48049	TROS	473466	A51000	TROS	471264!	A52049S	TROS	415995!
A48051	TROS	473235!	A51002	TROS	473215!	A52050S	TROS	416288
A48055S	TROS	410308!	A51003	TROS	470380!	A52052S	TROS	476470!
A48056	TROS	471391!	A51004	TROS	473228!	A52052S	TROS	476470!
A48057	TROS	473245!	A51007S	TROS	470334!	A52054	TROS	415035
A48058	TROS	472636!	A51010	TROS	470530!	A52055	TROS	415371
A48059	TROS	412040	A51012	TROS	471192	A52057	TROS	416865!
A48061	TROS	472164!	A51013	TROS	470954!	A52057S	TROS	416865!
A48067S	TROS	410496!	A51014	TROS	473460	A52058	TROS	416476!
A48069	TROS	471689!	A51015	TROS	471760	A52059	TROS	416239!
A48072S	TROS	471442!	A51016	TROS	471763	A52061S	TROS	416271!
A48074S	TROS	471827!	A51017	TROS	471765!	A52062	TROS	416282
A48076S	TROS	410708	A51019	TROS	472397!	A52062S	TROS	416282
A48077S	TROS	471984	A51021	TROS	472258!	A52063S	TROS	417563
A48078	TROS	471829	A51023	TROS	471267!	A52064	TROS	417602!
A48081S	TROS	471344	A51026	TROS	417316!	A52066	TROS	415137!
A48085S	TROS	476470!	A51027	TROS	416921!	A52066	TROS	418028
A48085S	TROS	476470	A51028	HENRY	42352S	A52066S	TROS	415137!
A49001	TROS	415458!	A51031	TROS	415072	A52066S	TROS	418028
A49002	TROS	417316!	A51032	HENRY	40401	A52067S	TROS	415146!
A49003	TROS	417344!	A51033	TROS	416229	A52067S	TROS	415991
A49004	TROS	415960	A51035S	TROS	415449!	A52068	TROS	415449!
A49004S	TROS	415960!	A51036	TROS	417621!	A52069	TROS	417343!
A49006	TROS	415995!	A51037	TROS	417181!	A52070	TROS	5578
A52071	TROS	417171!	A52072	TROS	417181!	A52073	TROS	412473!
A52072	TROS	417181!	A52073	TROS	412473!	A52076	TROS	416706
A52073	TROS	412473!	A52076	TROS	416706	A52078	TROS	416706
A52076	TROS	416706	A52078	TROS	416706	A52079	TROS	417484!
A52078	TROS	416706	A52079	TROS	417484!	A52081S	TROS	417159
A52079	TROS	417484!	A52081S	TROS	417159	A52082S	TROS	475348N
A52081S	TROS	417159	A52082S	TROS	475348N	A52086	TROS	410825
A52082S	TROS	475348N	A52086	TROS	410825	A52087	TROS	415437
A52086	TROS	410825	A52087	TROS	415437	A52091	TROS	416394
A52087	TROS	415437	A52091	TROS	416394	A52094	TROS	8996S =
A52091	TROS	416394	A52094	TROS	8996S =	A52236	TROS	417488!
A52094	TROS	8996S =	A52236	TROS	417488!	A5257	CATER	5751
A52236	TROS	417488!	A5257	CATER	5751	A5257	TMTR	5751
A5257	CATER	5751	A5257	TMTR	5751	A5287	TW-DI	415027
A5257	TMTR	5751	A5287	TW-DI	415027!	A53002	TROS	471472 =
A5287	TW-DI	415027!	A53002	TROS	471472 =	A53003	TROS	471264
A53002	TROS	471472 =	A53003	TROS	471264	A53008	TROS	471554
A53003	TROS	471264	A53008	TROS	471554	A53011	TROS	473213!
A53008	TROS	471554	A53011	TROS	473213!	A53012	TROS	43089S
A53011	TROS	473213!	A53012	TROS	43089S	A53013	TROS	40059S
A53012	TROS	43089S	A53013	TROS	40059S	A53015	TROS	7886S
A53013	TROS	40059S	A53015	TROS	7886S	A53016	TROS	471821!
A53015	TROS	7886S	A53016	TROS	471821!	A53019	TROS	472185!
A53016	TROS	471821!	A53019	TROS	472185!	A53020	TROS	40071S
A53019	TROS	472185!	A53020	TROS	40071S	A53022	TROS	40085S
A53020	TROS	40071S	A53022	TROS	40085S	A53023	TROS	40094S
A53022	TROS	40085S	A53023	TROS	40094S	A53024	TROS	40097S
A53023	TROS	40094S	A53024	TROS	40097S	A53025	TROS	40101S
A53024	TROS	40097S	A53025	TROS	40101S	A53028	TROS	42421S
A53025	TROS	40101S	A53028	TROS	42421S	A53029	TROS	240119
A53028	TROS	42421S	A53029	TROS	240119	A53030	TROS	471224
A53029	TROS	240119	A53030	TROS	471224	A53032	TROS	471413
A53030	TROS	471224	A53032	TROS	471413	A53032S	TROS	471413
A53032	TROS	471413	A53032S	TROS	471413	A53033	TROS	470954
A53032S	TROS	471413	A53033	TROS	470954	A53040	TROS	471760
A53033	TROS	470954	A53040	TROS	471760	A53041	TROS	471763
A53040	TROS	471760	A53041	TROS	471763	A53045	TROS	40169S
A53041	TROS	471763	A53045	TROS	40169S	A53046	TROS	40183S!
A53045	TROS	40169S	A53046	TROS	40183S!	A53047	TROS	471571
A53046	TROS	40183S!	A53047	TROS	471571	A53048	TROS	40185
A53047	TROS	471571	A53048	TROS	40185	A53055	TROS	40208
A53048	TROS	40185	A53055	TROS	40208	A53058	TROS	471647
A53055	TROS	40208	A53058	TROS	471647	A53061	TROS	471689
A53058	TROS	471647	A53061	TROS	471689	A53063	TROS	471787
A53061	TROS	471689	A53063	TROS	471787	A53064	TROS	40286
A53063	TROS	471787	A53064	TROS	40286	A53066	TROS	40301S
A53064	TROS	40286	A53066	TROS	40301S	A53067	TROS	40316S
A53066	TROS	40301S	A53067	TROS	40316S	A53068	TROS	240319
A53067	TROS	40316S	A53068	TROS	240319	A53070	TROS	40328
A53068	TROS	240319	A53070	TROS	40328	A53072	TROS	40337S
A53070	TROS	40328	A53072	TROS	40337S	A53076	TROS	40410S
A53072	TROS	40337S	A53076	TROS	40410S	A53077	TROS	40369S
A53076	TROS	40410S	A53077	TROS	40369S	A53078	TROS	40370S
A53077	TROS	40369S	A53078	TROS	40370S	A53081	TROS	474276
A53078	TROS	40370S	A53081	TROS	474276	A53084	TROS	40389S
A53081	TROS	474276	A53084	TROS	40389S	A53085	TROS	472354!
A53084	TROS	40389S	A53085	TROS	472354!	A53086	TROS	417267
A53085	TROS	472354!	A53086	TROS	417267	A53087	TROS	42352S
A53086	TROS	417267	A53087	TROS	42352S	A53088S	TROS	40401
A53087	TROS	42352S	A53088S	TROS	40401	A53089	TROS	42763
A53088S	TROS	40401	A53089	TROS	42763	A53091	TROS	40410S
A53089	TROS	42763	A53091	TROS	40410S	A53092	TROS	351487
A53091	TROS	40410S	A53092	TROS	351487	A53093S	TROS	40433S
A53092	TROS	351487	A53093S	TROS	40433S	A53095	TROS	40438S
A53093S	TROS	40433S	A53095	TROS	40438S	A53097	TROS	40468
A53095	TROS	40438S	A53097	TROS	40468	A53098	TROS	40494S
A53097	TROS	40468	A53098	TROS	40494S	A53100	TROS	442380
A53098	TROS	40494S	A53100	TROS	442380	A53101	TROS	40520S
A53100	TROS	442						

Zero Duplication or Recommended Industrial		Zero Duplication or Recommended Industrial		Zero Duplication or Recommended Industrial		Zero Duplication or Recommended Industrial		
Mfr. No.	Name	Mfr. No.	Name	Mfr. No.	Name	Mfr. No.	Name	
A53104S	TROS	40555	A54049	TROS	473428	A54114	TROS	414045!
A53104S	TROS	40555S!	A54050	TROS	473426	A54116	TROS	473471
A53105	TROS	471821!	A54051	TROS	450048	A54118	TROS	473441
A53106	TROS	40566S	A54052	TROS	471750!	A54120	TROS	450111
A53107	TROS	40568S	A54053	TROS	470050	A54123	TROS	473467
A53108	TROS	40576S	A54054	TROS	473427	A54125	TROS	473450
A53112	TROS	40627S=	A54055	TROS	471354!	A54126	TROS	472572!
A53113	TROS	481537	A54055S	TROS	471354!	A54126S	TROS	472572!
A53116	TROS	471737=	A54056	TROS	473213!	A54127	TROS	473449
A53119	TROS	40769S	A54057	TROS	450054	A54128	TROS	471442!
A53121S	TROS	6815	A54058	TROS	473215!	A54128S	TROS	471442!
A53122	TROS	340787	A54058S	TROS	473215!	A54130	TROS	471224!
A53126	TROS	40973S	A54060	TROS	473225!	A54132	TROS	472409!
A53128	TROS	41013S	A54061	TROS	473438	A54132S	TROS	472409!
A53131	TROS	41075S	A54062	TROS	470059	A54133	TROS	473437
A53136P	TROS	416071	A54062	TROS	470380!	A54134	TROS	450124=
A53138	TROS	46997S	A54062S	TROS	470059	A54135	TROS	50126
A53139	TROS	43086S	A54062S	TROS	470380!	A54136	TROS	471735
A53140S	TROS	45013S	A54066	TROS	470950!	A54138S	TROS	450129
A53145	TROS	45187S	A54066	TROS	6241S	A54138S	TROS	472826!
A53147	TROS	45031S	A54067	TROS	474264	A54139	TROS	412920!
A53150	TROS	45653S	A54068	TROS	471820	A54141	TROS	450133
A53151	TROS	45825S	A54069	TROS	471821!	A54142	TROS	471192
A53152	TROS	45827S	A54070	TROS	473232!	A54142S	TROS	471192
A53153S	TROS	472179	A54071	TROS	473367!	A54143	TROS	470625!
A53155S	TROS	40494S	A54071	TROS	473367	A54143S	TROS	470625!
A53156S	TROS	473445	A54071S	TROS	473367!	A54144	TROS	471529
A53159	TROS	45525S	A54071S	TROS	473367	A54145	TROS	473459
A54002	TROS	474277	A54072	TROS	473228	A54145S	TROS	473459
A54003	TROS	470004!	A54072S	TROS	473228	A54146	TROS	472234
A54005S	TROS	471530	A54073	TROS	450068	A54150	TROS	450143
A54006	TROS	471281!	A54074	TROS	473232	A54151	TROS	473226
A54007	TROS	471532	A54075	TROS	472185!	A54152	TROS	473460
A54007S	TROS	471532	A54075S	TROS	472185!	A54154	TROS	450147
A54008	TROS	471466!	A54077	TROS	472439	A54155	TROS	473463
A54008S	TROS	471466!	A54078	TROS	481864	A54156	TROS	40769S
A54010	TROS	50010	A54078S	TROS	481864	A54157	TROS	471750!
A54013	TROS	471472!	A54079S	TROS	450073	A54159	TROS	472560N!
A54013S	TROS	471472!	A54080	TROS	474265	A54159S	TROS	472560N!
A54015S	TROS	471535!	A54081	TROS	50075=	A54160	TROS	473205
A54016	TROS	473405	A54082	TROS	470334!	A54162	TROS	472287!
A54016S	TROS	473405	A54083	TROS	474281!	A54163	TROS	473234
A54018	TROS	471549!	A54084	TROS	473444	A54164	TROS	473447
A54020S	TROS	471551!	A54085	TROS	450079=	A54165	TROS	350156
A54021	TROS	471558	A54086	TROS	473446	A54165	TROS	473096
A54022	TROS	471255!	A54087	TROS	50081	A54166	TROS	471760
A54022S	TROS	471255!	A54088	TROS	473238	A54166S	TROS	471760
A54023	TROS	471255!	A54089	TROS	472924!	A54167	TROS	471762!
A54024	TROS	471553!	A54091	TROS	450084!	A54168	TROS	450159
A54025	TROS	50026	A54091S	TROS	450084!	A54169	TROS	471763
A54027	TROS	471567!	A54092	TROS	450084!	A54170	TROS	471764!
A54027S	TROS	471567!	A54093	TROS	470530!	A54171	TROS	471765!
A54029	TROS	481568!	A54094	TROS	470086	A54173	TROS	471766!
A54029S	TROS	481568!	A54095	TROS	473313	A54173S	TROS	471766!
A54030	TROS	474253	A54096	TROS	470088	A54175	TROS	473424!
A54031	TROS	473414	A54096S	TROS	470088	A54176	TROS	450165
A54032	TROS	471570!	A54097	TROS	450089	A54176	TROS	471801!
A54032S	TROS	471570!	A54098	TROS	450090	A54178	TROS	473212!
A54033	TROS	450033	A54100	TROS	473458!	A54179	TROS	50168
A54034	TROS	474273	A54102	TROS	473462!	A54180	TROS	473214
A54035	TROS	473412	A54103	TROS	473464!	A54182	TROS	473016!
A54037	TROS	473415	A54103	TROS	473464	A54182S	TROS	473016!
A54038	TROS	471137	A54104	TROS	416738!	A54184	TROS	450173
A54039	TROS	450038	A54104	TROS	450096	A54186	TROS	450177
A54040	TROS	450039	A54105	TROS	413469!	A54188	TROS	450177
A54041	TROS	450040	A54106	TROS	412943	A54190	TROS	473421
A54041S	TROS	450040	A54107	TROS	411253!	A54192	TROS	471747!
A54043	TROS	450593!	A54108	TROS	410694!	A54193	TROS	472179
A54043S	TROS	450593!	A54109	TROS	412119!	A54193S	TROS	472179
A54045	TROS	473419	A54111	TROS	410102	A54195	TROS	471571
A54046	TROS	450044	A54112	TROS	410686N	A54196	TROS	473229
A54047	TROS	476838!	A54113	TROS	450104	A54197	TROS	473236!

! Industrial Size/Type = Call 1-800-480-1212 for price and delivery.

Zero Duplication or Recommended		Zero Duplication or Recommended		Zero Duplication or Recommended		Zero Duplication or Recommended					
Mfr. No.	Name	Mfr. No.	Name	Mfr. No.	Name	Mfr. No.	Name				
A54285	TROS	471868	A54363	TROS	473448	A54450S	TROS	450482	A54529S	TROS	471224!
A54286	TROS	450273	A54364	TROS	471870!	A54452	TROS	411330!	A54531	TROS	450621
A54287	TROS	450274	A54365	TROS	472193!	A54455	TROS	470487!	A54532	TROS	470625!
A54288	TROS	450275	A54366	TROS	450362	A54457	TROS	473244	A54533S	TROS	413248
A54291	TROS	450279	A54368	TROS	350364	A54458	TROS	50490 =	A54534	TROS	473420
A54292	TROS	471866!	A54369	TROS	470898	A54459	TROS	480491	A54536	TROS	50631
A54293	TROS	473179!	A54374	TROS	451948	A54460	TROS	450492	A54537	TROS	471276
A54295	TROS	473179!	A54375	TROS	411500	A54462	TROS	472164!	A54538S	TROS	472475
A54297	TROS	450285	A54376	TROS	6936S	A54463	TROS	410496!	A54540	TROS	450639
A54298	TROS	474274	A54378	TROS	471652	A54464	TROS	450497 =	A54542	TROS	470645
A54301	TROS	470334!	A54379	TROS	474276!	A54465	TROS	50501	A54543	TROS	481073
A54301	TROS	50289	A54380	TROS	330385!	A54467	TROS	50501	A54544	TROS	471766!
A54302	TROS	471141!	A54382	TROS	472492!	A54468	TROS	474260	A54545	TROS	450655 =
A54302S	TROS	471141!	A54384	TROS	473407	A54470	TROS	450503 =	A54546	TROS	470954!
A54304	TROS	473453	A54385	TROS	473227	A54471	TROS	472843	A54547S	TROS	471570!
A54306	TROS	472144!	A54385S	TROS	473227	A54471S	TROS	472843	A54548S	TROS	472020
A54309	TROS	473239	A54386	TROS	472354!	A54473	TROS	470506!	A54549	TROS	471737
A54311	TROS	472394	A54388	TROS	450398	A54478	TROS	50514	A54550	TROS	410737!
A54311S	TROS	472394	A54388	TROS	471267!	A54479	TROS	470515	A54552	TROS	474279N
A54312	TROS	472397!	A54389	TROS	450400	A54480	TROS	450516	A54553S	TROS	472018
A54312S	TROS	472397!	A54390	TROS	352541	A54481	TROS	471271!	A54554	TROS	471984
A54313	TROS	472012	A54391	TROS	50402	A54483	TROS	471272!	A54555	TROS	473240!
A54313S	TROS	472012	A54392	TROS	470774!	A54483S	TROS	471272!	A54557	TROS	410737!
A54314	TROS	472015!	A54392S	TROS	470774!	A54484	TROS	473423	A54558	TROS	471862
A54314S	TROS	472015!	A54394	TROS	50405	A54484S	TROS	473423	A54559	TROS	471316
A54315	TROS	473457!	A54396	TROS	470409!	A54485	TROS	472258!	A54561	TROS	470764!
A54317	TROS	473461!	A54396	TROS	50409	A54485S	TROS	472258!	A54561	TROS	50764
A54318	TROS	450307	A54397	TROS	471424!	A54486	TROS	450523	A54562	TROS	450776!
A54319	TROS	410308!	A54399	TROS	450412	A54487S	TROS	410524	A54563A	FRUEH	370036A
A54319S	TROS	410308!	A54400	TROS	353132	A54488	TROS	471887	A54563A	FRUEH	370349A
A54320	TROS	471391!	A54401	TROS	472311!	A54489	TROS	474276!	A54564	TROS	471633!
A54321	TROS	473242	A54402	TROS	450415	A54489S	TROS	474276!	A54565	TROS	471195!
A54322	TROS	450311	A54403	TROS	473442!	A54490	TROS	50528	A54566S	TROS	471466!
A54323	TROS	472016	A54404	TROS	50419	A54491	TROS	450984	A54567	TROS	50798
A54324	TROS	450313	A54406	TROS	450765!	A54492	TROS	470530!	A54568	TROS	480889
A54325	TROS	473243	A54408	TROS	471730	A54493	TROS	450532	A54569	TROS	450803
A54325S	TROS	473243	A54410	TROS	450430	A54494	TROS	450533	A54570S	TROS	470806
A54326	TROS	473245!	A54411S	TROS	471539!	A54496	TROS	450535	A54572	TROS	450808
A54327	TROS	472636!	A54412	TROS	471138!	A54496	TROS	471264!	A54576S	TROS	473380
A54328	TROS	411394!	A54414	TROS	350435	A54497	TROS	450536	A54577	TROS	450819
A54330	TROS	481163!	A54417	TROS	471341!	A54497	TROS	471535!	A54578S	TROS	473454
A54331	TROS	473475	A54417S	TROS	471341!	A54499S	TROS	414268!	A54580S	TROS	470898
A54332	TROS	412040	A54419	TROS	471835!	A54500	TROS	450540	A54581	TROS	473203
A54332S	TROS	412040	A54419S	TROS	471835!	A54501	TROS	471689!	A54582	TROS	450869
A54333	TROS	472029	A54420	TROS	50445	A54502	TROS	474272	A54584	TROS	50883 =
A54334	TROS	413478	A54421	TROS	450446	A54503	TROS	450545	A54588	TROS	413479
A54336	TROS	450326	A54423	TROS	471270!	A54504	TROS	470625!	A54589S	TROS	450908 =
A54337	TROS	50327	A54423S	TROS	471270!	A54505	TROS	472150	A54590S	TROS	450911N!
A54338	TROS	470328	A54424	TROS	480630!	A54506	TROS	470565!	A54591	TROS	473237!
A54338	TROS	481213!	A54425	TROS	473197	A54506S	TROS	470565!	A54594S	TROS	471736
A54339	TROS	412871!	A54426	TROS	473224!	A54507	TROS	450533	A54599S	TROS	471564
A54340	TROS	470605!	A54428	TROS	472319	A54507	TROS	471224!	A54602	TROS	410987!
A54342	TROS	450332	A54429	TROS	450456!	A54507S	TROS	450533	A54603	TROS	473474
A54343	TROS	470334!	A54430S	TROS	450457	A54507S	TROS	471224!	A54604S	TROS	480630!
A54344	TROS	450335	A54432	TROS	473440!	A54509	TROS	471808!	A54605	TROS	474256
A54345	TROS	474255	A54433	TROS	50462	A54510	TROS	50560	A54608	TROS	472185!
A54346	TROS	450339	A54434	TROS	450463	A54511	TROS	471267!	A54611	TROS	471653!
A54347	TROS	450340	A54438	TROS	450467	A54511S	TROS	471267!	A54614S	TROS	51032S
A54348	TROS	450341	A54439	TROS	50468	A54513	TROS	472258!	A54615	TROS	51039
A54349	TROS	450343	A54440	TROS	481537	A54514	TROS	412027	A54616	TROS	481792
A54350	TROS	473425	A54441	TROS	472810!	A54515	TROS	413246	A54617S	TROS	471571
A54351	TROS	50345 =	A54441S	TROS	472810!	A54516	TROS	471498	A54618S	TROS	481073
A54352	TROS	474254	A54442	TROS	450472!	A54518	TROS	450588	A54620P	TROS	451078!
A54354	TROS	413247!	A54443	TROS	450474	A54519S	TROS	471729	A54621	TROS	471413!
A54355	TROS	471504!	A54444	TROS	471344	A54520	TROS	474253	A54622S	TROS	472213
A54355S	TROS	471504!	A54444S	TROS	471344	A54521	TROS	450593!	A54624	TROS	473228
A54356	TROS	472164!	A54446	TROS	50478	A54523	TROS	470596	A54625	TROS	471652
A54358	TROS	470354	A54447	TROS	473445	A54523S	TROS	470596	A54625S	TROS	471652
A54359	TROS	471538!	A54448	TROS	323138!	A54525	TROS	450604	A54626	TROS	410825
A54360	TROS	474278	A54448S	TROS	323138!	A54525S	TROS	450604	A54628	TROS	471707N
A54362	TROS	473231	A54449	TROS	471818	A54526	TROS	470606!	A54629	TROS	451082
A54362S	TROS	473231	A54450	TROS	450482	A54528	TROS	470390	A54630	TROS	451182

! Industrial Size/Type = Call 1-800-480-1212 for price and delivery.

ALPHABETICAL

Zero Duplication or Recommended		Zero Duplication or Recommended		Zero Duplication or Recommended		Zero Duplication or Recommended		
Mfr. No.	Name	Mfr. No.	Name	Mfr. No.	Name	Mfr. No.	Name	
A54631	TROS	480210!	A56054	TROS	417525	A56120	TROS	417598
A54635	TROS	51322	A56055	TROS	416892	A56121	TROS	455406!
A54636	TROS	411348!	A56056	TROS	417533	A56122	TROS	455121
A54637	TROS	484054	A56057	TROS	415371	A56123	TROS	417602!
A54638	TROS	451583!	A56059	TROS	415138!	A56124	TROS	455123
A54639S	TROS	471649!	A56060	TROS	417223	A56125	TROS	415124
A55077	AMC	470059	A56063	TROS	455056	A56126	TROS	417022
A55077	AMC	470380!	A56064	TROS	417516	A56127	TROS	417604
A55432	CASE	415449!	A56065	TROS	415058	A56128	TROS	417567
A55446	CASE	472185!	A56066	TROS	417238	A56129S	TROS	415128
A55599	US-EL	450068	A56067	TROS	370019A	A56130S	TROS	455129
A55663	CASE	473234!	A56068	TROS	415351!	A56131	TROS	417474
A55755	CASE	470774!	A56069	TROS	370021A	A56132	TROS	455134!
A55817	CASE	470565 =	A56070	TROS	457585	A56133	TROS	455136
A55832	CASE	471870!	A56071	TROS	370021A	A56134	TROS	418028
A55855	CASE	471224!	A56072	TROS	417536	A56134S	TROS	418028
A56003	TROS	417073	A56073	TROS	415066	A56135	TROS	417554!
A56004	TROS	415001!	A56074	TROS	456890	A56136	TROS	55141
A56005	TROS	415988	A56075	TROS	417269!	A56137	TROS	415142
A56006	TROS	415458!	A56076	TROS	417273	A56138	TROS	455144
A56006P	TROS	415458!	A56077	TROS	416865	A56139	TROS	417172
A56008	TROS	417316!	A56077S	TROS	416865!	A56140	TROS	415991
A56009	TROS	455005	A56078	TROS	417546!	A56140	TROS	455146!
A56010	TROS	417344!	A56078S	TROS	417546!	A56140S	TROS	415991
A56010S	TROS	417344!	A56079	TROS	415072	A56140S	TROS	455146!
A56011	TROS	415007	A56079S	TROS	415072	A56141	TROS	415449!
A56013	TROS	455008	A56080	TROS	416107!	A56141S	TROS	415449!
A56014	TROS	415960	A56080	TROS	455073	A56142	TROS	417366!
A56015	TROS	417485	A56080S	TROS	416107!	A56143	TROS	417343!
A56016	TROS	416921!	A56080S	TROS	455073	A56144	TROS	415150!
A56017	TROS	416654!	A56081	TROS	415074	A56145	TROS	455151
A56018	TROS	415995!	A56082	TROS	416476!	A56146	TROS	417134
A56018S	TROS	415995!	A56083	TROS	415076	A56147	TROS	417486
A56020	TROS	417487	A56084	TROS	415077	A56148	TROS	417351!
A56021	TROS	455015	A56085	TROS	455079!	A56149	TROS	55155 =
A56022	TROS	416288	A56086S	TROS	455079!	A56150	TROS	417621!
A56022S	TROS	416288!	A56087	TROS	455080	A56150S	TROS	417621!
A56023	TROS	456105	A56088	TROS	415082	A56151	TROS	416292
A56024	TROS	476470	A56090	TROS	416239!	A56152S	TROS	417488!
A56025	TROS	455019!	A56091	TROS	415085!	A56153	TROS	417171!
A56026	TROS	455020	A56091	TROS	456648	A56154	TROS	417490
A56027	TROS	415021	A56092	TROS	417487	A56155	TROS	417181!
A56028	TROS	370012A	A56093	TROS	55087 =	A56156S	TROS	417491
A56029	TROS	415023	A56094S	TROS	415088	A56157	TROS	412473!
A56030	TROS	455024	A56094S	TROS	415088!	A56158	TROS	417191
A56031	TROS	415025	A56095	TROS	415090	A56158	TROS	455165!
A56032	TROS	455026	A56096	TROS	416167!	A56159	TROS	417492
A56033	TROS	415027	A56096S	TROS	416167!	A56160	TROS	417354!
A56033S	TROS	415027	A56097	TROS	417596	A56161	TROS	417493
A56034	TROS	55028	A56098	TROS	411376!	A56162	TROS	417196!
A56035	TROS	370011A	A56098S	TROS	411376!	A56163	TROS	415711
A56036	TROS	55030	A56099	TROS	416444	A56164	TROS	416332!
A56037	TROS	416339	A56101	TROS	416271!	A56164S	TROS	416332!
A56037	TROS	455031!	A56101S	TROS	416271!	A56165	TROS	415437!
A56038	TROS	455032!	A56102	TROS	411245!	A56165	TROS	415437
A56039	TROS	416345!	A56103	TROS	415302	A56166	TROS	417497
A56039	TROS	455033	A56104	TROS	416282	A56167	TROS	415937!
A56040	TROS	415034!	A56105	TROS	417547	A56168	TROS	417501
A56041	TROS	415035	A56106	TROS	415938	A56169	TROS	415379
A56041S	TROS	415035	A56107	TROS	417556	A56169	TROS	415379!
A56042	TROS	415036	A56108	TROS	416666	A56170	TROS	455178 =
A56042S	TROS	415036	A56109	TROS	457874	A56171	TROS	417210!
A56043	TROS	455037	A56110	TROS	417562	A56172	TROS	417498
A56044	TROS	417512	A56111	TROS	417563	A56173	TROS	417355!
A56045	TROS	417513	A56112	TROS	416229	A56175	TROS	417205!
A56046	TROS	416891!	A56113	TROS	417298	A56176	TROS	417504
A56047	TROS	415041	A56114	TROS	455310	A56177	TROS	417211!
A56049	TROS	415043	A56115	TROS	455584	A56177S	TROS	417211!
A56050	TROS	417514	A56116	TROS	416077	A56178	TROS	417967!
A56051	TROS	415045!	A56117	TROS	415116	A56179	TROS	415187
A56052	TROS	417520	A56118	TROS	455117	A56180	TROS	417356!
A56053	TROS	415047	A56119	TROS	415551	A56180	TROS	455188
A56181S	TROS	455189	A56182	TROS	455191	A56183	TROS	417357
A56182	TROS	455191	A56183	TROS	417357	A56184	TROS	455192!
A56183	TROS	417357	A56184	TROS	55193 =	A56185	TROS	455194
A56184	TROS	55193 =	A56185	TROS	455194	A56186	TROS	472157!
A56185	TROS	455194	A56186	TROS	472157!	A56186	TROS	472157
A56186	TROS	472157!	A56186S	TROS	472157	A56186S	TROS	472157
A56186S	TROS	472157	A56186S	TROS	472157!	A56187	TROS	415196!
A56186S	TROS	472157!	A56187	TROS	415196!	A56187S	TROS	415196!
A56187	TROS	415196!	A56187S	TROS	415196!	A56188	TROS	455197N
A56187S	TROS	415196!	A56188	TROS	455197N	A56189	TROS	415196!
A56188	TROS	455197N	A56189	TROS	415196!	A56190	TROS	416888!
A56189	TROS	415196!	A56190	TROS	416888!	A56191	TROS	417509
A56190	TROS	416888!	A56191	TROS	417509	A56192	TROS	455203
A56191	TROS	417509	A56192	TROS	455203	A56193	TROS	417515
A56192	TROS	455203	A56193	TROS	417515	A56194	TROS	416137
A56193	TROS	417515	A56194	TROS	416137	A56194	TROS	416137
A56194	TROS	416137	A56194	TROS	416144	A56195	TROS	416144
A56195	TROS	416144	A56195	TROS	416144	A56196	TROS	416149
A56196	TROS	416144	A56196	TROS	416149	A56197	TROS	417526
A56197	TROS	416149	A56197	TROS	417526	A56198	TROS	416154!
A56198	TROS	417526	A56198	TROS	416154!	A56198S	TROS	416154!
A56198S	TROS	416154!	A56198S	TROS	416154!	A56199	TROS	417534
A56199	TROS	417534	A56199	TROS	417534	A56200	TROS	416158
A56199	TROS	417534	A56200	TROS	416158	A56201	TROS	417535
A56200	TROS	416158	A56201	TROS	417535	A56202	TROS	417247!
A56201	TROS	417535	A56202	TROS	417247!	A56203	TROS	416163
A56202	TROS	417247!	A56203	TROS	416163	A56204	TROS	417539!
A56203	TROS	416163	A56204	TROS	417539!	A56205	TROS	417267
A56204	TROS	417539!	A56205	TROS	417267	A56206	TROS	55218 =
A56205	TROS	417267	A56206	TROS	55218 =	A56207	TROS	415219
A56206	TROS	55218 =	A56207	TROS	415219	A56207	TROS	415219
A56207	TROS	415219	A56207	TROS	415219	A56207S	TROS	415219
A56207S	TROS	415219	A56208	TROS	415871	A56208	TROS	415871
A56208	TROS	415871	A56209	TROS	417606	A56209	TROS	417606
A56209	TROS	417606	A56210	TROS	55222 =	A56210	TROS	55222 =
A56210	TROS	55222 =	A56211	TROS	55223 =	A56211	TROS	55223 =
A56211	TROS	55223 =	A56212	TROS	55224 =	A56212	TROS	55224 =
A56212	TROS	55224 =	A56213	TROS	417020	A56213	TROS	417020
A56213	TROS	417020	A56214	TROS	417570	A56214	TROS	417570
A56214	TROS	417570	A56215	TROS	415227!	A56215	TROS	415227!
A56215	TROS	415227!	A56216	TROS	55228 =	A56216	TROS	55228 =
A56216	TROS	55228 =	A56217	TROS	415482	A56217	TROS	415482
A56217	TROS	415482	A56218	TROS	416153!	A56218	TROS	416153!
A56218	TROS	416153!	A56219S	TROS	416153!	A56219S	TROS	416153!
A56219	TROS	416153!	A56220	TROS	417538	A56220	TROS	417538
A56219S	TROS	416153!	A56221	TROS	415234!	A56221	TROS	415234!
A56220	TROS	417538	A56222	TROS	55236	A56222	TROS	55236
A56221	TROS	415234!	A56223	TROS	55238	A56223	TROS	55238
A56222	TROS	55236	A56224	TROS	55239 =	A56224	TROS	55239 =
A56223	TROS	55238	A56225	TROS	55242	A56225	TROS	55242
A56224	TROS	55239 =	A56226	TROS	417481	A56226	TROS	417481
A56225	TROS	55242	A56227	TROS	417540	A56227	TROS	417540
A56226	TROS	417481	A56228	TROS	412861	A56228	TROS	412861
A56227	TROS	417540	A56229	TROS	455249!	A56229	TROS	455249!
A56228	TROS	412861	A56230	TROS	415303!	A56230	TROS	415303!
A56229	TROS	455249!	A56231	TROS	415303!	A56231	TROS	415303!
A56230	TROS	415303!	A56232	TROS	455251H	A56232	TROS	455251H
A56231	TROS	415303!	A56233S	TROS	455253	A56233S	TROS	455253
A56232	TROS	415303!	A56234	TROS	415254	A56234	TROS	415254
A56233	TROS	455251H	A56235	TROS	417198	A56235	TROS	417198
A56233S	TROS	455251H	A56236	TROS	417252	A56236	TROS	417252
A56234	TROS	415254	A56237	TROS	415259!	A56237	TROS	415259!
A56235	TROS	417198	A56238	TROS	455260	A56238	TROS	455260
A56236	TROS	417252	A56239	TROS	417496	A56239	TROS	417496
A56237	TROS	415259!	A56240	TROS	415263	A56240	TROS	415263
A56238	TROS	455260	A56241	TROS	415263	A56241	TROS	415263
A56239	TROS	417496	A56242	TROS	415263	A56242	TROS	415263
A56240	TROS	415263	A56243	TROS	415263	A56243	TROS	

Zero Duplication or Recommended		Zero Duplication or Recommended		Zero Duplication or Recommended		Zero Duplication or Recommended		
Mfr. No.	Name	Mfr. No.	Name	Mfr. No.	Name	Mfr. No.	Name	
A56252	TROS	415725!	A56331S TROS	415483!	A56416S TROS	415697!	A57708 CASE	472164!
A56252S	TROS	415725!	A56332 TROS	416273!	A56416S TROS	455547	A58223 CASE	471271!
A56253	TROS	416706!	A56333 TROS	417537	A56417 TROS	55548	A58428 CASE	472878
A56253S TROS		416706!	A56334S TROS	415371	A56419 TROS	455556	A5861AB CASE	474264
A56254	TROS	417254	A56335 TROS	455375=	A56421S TROS	417780	A59046 CASE	416043
A56256	TROS	55276 =	A56336 TROS	417541	A56422 TROS	415559	A59134 TROS	41257!
A56258	TROS	455280	A56337 TROS	415284	A56425 TROS	417433	A59401K TROS	5320=
A56259	TROS	417349	A56337S TROS	415284	A56426 TROS	455566	A59760S TROS	335924N
A56261	TROS	416364!	A56338 TROS	415379!	A56426S TROS	455566	A598417 NEHO	370023A
A56261S TROS		416364!	A56338 TROS	415379	A56430S TROS	417506	A598417 SPERY	370023A
A56263	TROS	416865	A56338S TROS	415379	A56431S TROS	455576!	A59861S TROS	480821!
A56264	TROS	417602!	A56338S TROS	415379!	A56432 TROS	415577!	A60003E GMC	471643!
A56267	TROS	455290	A56339 TROS	410825	A56434 TROS	370023A	A60003F GMC	471643!
A56268	TROS	455292 =	A56342 TROS	416956	A56435 TROS	455583N!	A600B-202 CONTI	410737!
A56269	TROS	417584	A56342S TROS	416956	A56438S TROS	455592	A600L-202 CASE	473467!
A56270	TROS	415294!	A56343 TROS	475384	A56440 TROS	416070	A600L-202 CONTI	473467!
A56270S TROS		415294!	A56345 TROS	55386	A56442 TROS	55611 =	A600L-202L CONTI	473467
A56271	TROS	415295	A56346 TROS	415389	A56443 TROS	455612 =	A600L-214 CONTI	473467!
A56272	TROS	417082	A56348 TROS	55392 =	A56444 TROS	416294!	A600L202 MASSE	473467!
A56273	TROS	455297	A56349 TROS	417511	A56445 TROS	455614	A60106 TROS	8976S
A56275	TROS	417600	A56350 TROS	415394	A56446 TROS	416029N!	A60108K TROS	370012A
A56276	TROS	417601	A56351 TROS	417549!	A56447 TROS	455625 =	A6020A GAL	416271!
A56277S TROS		55301S	A56352 TROS	455396	A56449 TROS	415085!	A60382 OLIVE	472924!
A56279	TROS	476470	A56353 TROS	455397	A56449 TROS	456648	A60536 CUMMI	473229
A56280	TROS	415991	A56355 TROS	455402 =	A56450 TROS	415371	A60720K TROS	5390
A56280	TROS	455146!	A56356 TROS	417551	A56451 TROS	55646 =	A60801S TROS	471538
A56282	TROS	455308	A56357 TROS	417492	A56453 TROS	455650 =	A61002G TROS	730009
A56283	TROS	55309 =	A56358 TROS	417564	A56455 TROS	455655!	A61005G TROS	730007
A56284	TROS	455310	A56360 TROS	55431 =	A56456S TROS	416267!	A61006G TROS	730018
A56285	TROS	455311	A56361 TROS	455434	A56457 TROS	455661	A61008G TROS	730005
A56286	TROS	417278	A56362 TROS	455436 =	A56458 TROS	412473!	A61011G TROS	730022
A56287	TROS	416670	A56363 TROS	415437	A56459 TROS	415683	A61012G TROS	730026
A56288	TROS	415984!	A56364 TROS	55441 =	A56461 TROS	455685	A61014G TROS	733067
A56289	TROS	55316 =	A56365 TROS	472016	A56463 TROS	417353!	A61161 TROS	42101S
A56290	TROS	415317	A56367 TROS	415447	A56464 TROS	416297	A614413 DCORP	412119!
A56291	TROS	417542	A56370S TROS	417597	A56465 TROS	55692 =	A614418 DCORP	472213
A56292	TROS	417495	A56372 TROS	455576!	A56466S TROS	416364!	A61442 DCORP	471466!
A56293	TROS	455321	A56373 TROS	455462	A56469 TROS	370019A	A614422 DCORP	254270
A56294	TROS	417484!	A56374 TROS	417550	A56470 TROS	415960	A614423 DCORP	472258!
A56294S TROS		417484!	A56375 TROS	55469	A56474 TROS	416071	A614436 DCORP	473234!
A56295	TROS	417532	A56376 TROS	455471	A56476 TROS	455820	A614438 DCORP	471750!
A56296	TROS	415327	A56377 TROS	455472 =	A56477 TROS	417258	A614444 DCORP	471549!
A56297	TROS	455328	A56378 TROS	417518	A56478 TROS	410825	A614446 DCORP	471231!
A56298	TROS	55329 =	A56380 TROS	455476	A56480 TROS	415832	A61445 DCORP	481443!
A56299	TROS	455330!	A56381 TROS	417350!	A56481 TROS	417604	A61447 DCORP	472951
A56300	TROS	417191	A56382 TROS	455480!	A56484 TROS	415854	A61447 DCORP	474252
A56300	TROS	456585	A56382S TROS	455480!	A56485 TROS	415857!	A61448 CASE	486857
A56302	TROS	55333 =	A56383 TROS	417543	A56486 TROS	455858	A61448 DCORP	471747!
A56305	TROS	455336	A56384 TROS	415482	A56487 TROS	417480!	A61449 CASE	9943
A56306	TROS	55337	A56386S TROS	415937!	A56489 TROS	2055	A61449 DCORP	473424!
A56308	TROS	415991	A56387S TROS	415937!	A56492S TROS	415379!	A61736 CASE	6597S
A56308	TROS	455146!	A56388 TROS	417555!	A56493S TROS	416102	A61840S TROS	471539!
A56309	TROS	417494	A56390S TROS	417603!	A56494 TROS	55199 =	A62049 CASE	415458!
A56310	TROS	417531	A56392 TROS	417548	A56500S TROS	415958	A62050 CASE	714750
A56313	TROS	55346	A56392S TROS	417548	A56500S TROS	415958!	A620A OLIVE	412119!
A56314	TROS	417159	A56394 TROS	415498	A565634 FRUEH	370036A	A62701P TROS	473454
A56314S TROS		417159	A56394S TROS	415498	A565634 FRUEH	370349A	A6283 CASE	370051A
A56316	TROS	415349	A56395 TROS	418029!	A56626 CASE	473234 =	A62855 ALLCH	473367
A56317	TROS	415350	A56396 TROS	455500	A57230 CASE	416294!	A62855 ALLCH	473367!
A56319	TROS	55353	A56397 TROS	55501 =	A57231 CASE	J1123	A63102 TROS	8975S
A56320	TROS	416404!	A56398 TROS	455583N!	A57246 CASE	9434 =	A63201S TROS	8477S
A56321S TROS		417158!	A56400 TROS	455509	A57247 CASE	5397 \$	A63218 CASE	417123 =
A56322	TROS	455356	A56401S TROS	2081	A57250 CASE	5397	A63301S TROS	9178S
A56323	TROS	55357	A56403 TROS	370015A	A57479 CASE	411500	A63601S TROS	8804S =
A56324	TROS	55358 =	A56404 TROS	417507	A57501R TROS	9613S	A63701K TROS	5337
A56326	TROS	417362!	A56404S TROS	417507	A57520S TROS	471652	A63720K TROS	5095
A56326S TROS		417362!	A56404S TROS	417507!	A57520S TROS	482208!	A63860S TROS	470954!
A56327	TROS	416664!	A56408 TROS	55524	A57647 CASE	415559	A63901S TROS	480581
A56327S TROS		416664!	A56409 TROS	55532 =	A57658 CASE	476470	A63960 TROS	311189
A56328	TROS	327303!	A56412 TROS	455536	A57697 CASE	J1105	A64002 TROS	HU019A
A56330	TROS	55367 =	A56413 TROS	55539 =	A57699 CASE	473454	A64005 TROS	HU005A
A56331	TROS	415483!	A56416 TROS	370033A	A5769L CASE	J1105	A64006 TROS	HU008A

! Industrial Size/Type \$F-M Number Is Part Of A Kit = Call 1-800-480-1212 for price and delivery.

ALPHABETICAL

Zero Duplication or Recommended Industrial		Zero Duplication or Recommended Industrial		Zero Duplication or Recommended Industrial		Zero Duplication or Recommended Industrial	
Mfr. No.	Name	Mfr. No.	Name	Mfr. No.	Name	Mfr. No.	Name
A64007	TROS HU007A	A65240S	TROS 8704S	A69509K	TROS 370338A	A69730K	TROS 370046A
A64008	TROS HU008A	A65261	TROS 370036A	A69510K	TROS 370036A	A69731K	TROS 370191A
A64009	TROS HU009A	A65261	TROS 370349A	A69510K	TROS 370349A	A69742K	TROS 370003A
A64009P	TROS HU009A	A65262	TROS AR10+370020A	A69511K	TROS 370036A	A69743K	TROS 370106A
A64011	TROS HU011A	A65263	TROS 370001A	A69511K	TROS 370349A	A69745K	TROS 415058
A64011P	TROS HU011A	A65270	TROS 416892	A69512K	TROS 370192A	A69746K	TROS 370069A
A64012	TROS HU012A	A65272	TROS 370021A	A69513K	TROS 370004A	A69746K	TROS 380069A
A64013	TROS HU013A	A65274	TROS 370005A	A69519K	TROS AR2+370026A	A69750K	TROS 416865
A64013P	TROS HU013A	A65283	TROS 370006A	A69520K	TROS 370065A	A69754K	TROS 370023A
A64014	TROS HU014A	A65284	TROS 370019A	A69520K	TROS 376590A	A69754K	TROS 415958
A64014P	TROS HU014A	A65287	TROS 370007A	A69521K	TROS 370107A	A69754K	TROS 417505
A64019	TROS HU019A	A65291	TROS 370012A	A69522K	TROS 370027A	A69755K	TROS 417506
A64024	TROS HU024A	A65299	TROS 370057A	A69535K	TROS 386025A	A69756K	TROS 370003A
A64025	TROS HU036A	A65340S	TROS 8695S	A69535K	TROS 416158	A69757K	TROS 370005A
A64028	TROS HU028A	A65360S	TROS 7687S	A69536K	TROS 370037A	A69758K	TROS 415058
A64031	TROS HU031A	A65402P	TROS 411330!	A69536K	TROS 370338A	A69759K	TROS 370121A
A64034	TROS HU034A	A65501S	TROS 9449	A69570K	TROS 370036A	A69781K	TROS 370069A
A64034P	TROS HU034A	A65502S	TROS 8792S	A69570K	TROS 370349A	A69781K	TROS 380069A
A64036	TROS HU036A	A65520S	TROS 470687	A69594K	TROS AR2+370026A	A69782K	TROS 370121A
A64042	TROS HU042A	A65601P	TROS 3945	A69596K	TROS 370065A	A69783K	TROS AR20+370004A
A64046	TROS HU110A	A65961	TROS 412725	A69596K	TROS 376590A	A69785K	TROS 370047A
A64049	TROS HU1149A	A65961S	TROS 412725	A69597K	TROS 370036A	A69787K	TROS 417506
A64050	TROS HU042A	A65963S	TROS 476838!	A69597K	TROS 370349A	A69788K	TROS 415058
A64058P	TROS HU058A	A65965S	TROS 473234	A69598K	TROS 386025A	A69789K	TROS 370006A
A64064	TROS HU003A	A65968S	TROS 471567!	A69598K	TROS 416158	A69790K	TROS 370036A
A64065	TROS HU065A	A66120S	TROS 472394	A69599K	TROS 370037A	A69790K	TROS 370349A
A64066	TROS HU066A	A66123S	TROS 472258!	A69599K	TROS 370338A	A69791K	TROS 370021A
A64075	TROS H075	A66161S	TROS 1165	A69604K	TROS AR5+370014A	A69792K	TROS 370019A
A64092	TROS HU036A	A66201S	TROS 9116S	A69605K	TROS AR4+370011A	A69793K	TROS 416892
A64093	TROS HU110A	A66202S	TROS 9195S=	A69608K	TROS 370015A	A69794K	TROS 370023A
A64095	TROS HU009A	A66203	TROS 9049	A69609K	TROS 370124A	A69794K	TROS 417505
A64096	TROS HU066A	A66203	TROS 9049N	A69611K	TROS 418028	A69795K	TROS 370030A
A64098	TROS HU110A	A66204S	TROS 9128S	A69612K	TROS 417134	A69798K	TROS 370005A
A64099	TROS HU036A	A66340S	TROS 9342S	A69616K	TROS 370007A	A7001	MERCM 471692!
A64101S	TROS 8705S	A66402P	TROS 2043	A69619K	TROS 370007A	A7018	MERCM 471472!
A64160	TROS 8635S	A66402S	TROS 2043	A69621K	TROS AR+370018A	A7090	CASE 470954
A64201S	TROS 8594S	A66501S	TROS 470530!	A69622K	TROS AR6+370012A	A7144	CASE 473227
A64202S	TROS 8660S	A66520S	TROS 473473	A69624K	TROS 370012A	A7146	CASE 471504!
A64220	TROS 9569S	A66540S	TROS 8935S	A69625K	TROS AR7+370012A	A7184	FORD 410059
A64360S	TROS 7686S	A66541S	TROS 473234!	A69626K	TROS 370001A	A7184	FORD 470380!
A64402P	TROS 8610	A66581	DCORP 473236!	A69628K	TROS AR12+370033A	A7201	FORD 473459
A64501R	TROS 473179	A66584	DCORP 473234!	A69629K	TROS AR10+370020A	A72069	TROS 471192
A64503S	TROS 472299	A67150	CASE 476816=	A69637	TROS 370002A	A72077S	TROS 75251S
A64520S	TROS 472354!	A67367	CASE 417509	A69637K	TROS 370002A	A73015	TROS 200600
A64540S	TROS 415991!	A675000AL513	GE 416888!	A69639K	TROS 370054A	A73017	TROS 80313
A64540S	TROS 415991	A676000AC111	GE 451583!	A69640K	TROS 370057A	A73019	TROS 200640
A64601S	TROS 472082	A676000AD155	GE 481972	A69643K	TROS 370131A	A73025	TROS 7208S
A64901S	TROS 8750S	A676000AD156	GE 471652	A69688K	TROS 370002A	A73029	TROS 200642
A64965S	TROS 471271!	A676000AD157	GE 480482=	A69689K	TROS AR4+370011A	A74002	TROS 450040
A64968S	TROS 415458!	A676000AD161	GE 471787!	A69690K	TROS 370007A	A74003	TROS 473367
A65003	TROS 386025A	A676000AD162	GE 471413!	A69691K	TROS 370015A	A74004	TROS 473228!
A65003	TROS 416158	A676000AD163	GE 471801!	A69693K	TROS 370012A	A74008	TROS 472287!
A65027	TROS 370106A	A676000AE212	GE 470380!	A69695K	TROS 370064A	A74010	TROS 473010!
A65029	TROS 415058	A676000AE213	GE 473228!	A69696K	TROS 370131A	A74012	TROS 415449!
A65054	TROS 417506	A676000AF251	GE 472299	A69698K	TROS AR10+370020A	A74013	TROS 417344!
A65056	TROS 370003A	A676000AF255	GE 473230!	A69699K	TROS 370001A	A74014	TROS 416444
A65060	TROS 386025A	A676000AF258	GE 471829	A69701K	TROS AR20+370004A	A74015	TROS 415449!
A65060	TROS 416158	A676000AF260	GE 472164!	A69702K	TROS 416892	A74017	TROS 415379
A65065	TROS 370005A	A676000AG302	GE 473238!	A69703K	TROS 370021A	A74019	TROS 416666
A65067	TROS 370030A	A676000AK454	GE 415984!	A69705K	TROS 370033A	A74023	TROS 416865!
A65070	TROS 370005A	A676000AL508	GE 416380!	A69707K	TROS 370030A	A75006S	TROS 240009
A65072	TROS 370021A	A676000AL513	GE 416888!	A69711K	TROS 370008A	A75012S	TROS 481537
A65073	TROS 370011A	A67637	CASE 417509	A69713K	TROS 370027A	A75013S	TROS 340771
A65073W	TROS 370011A	A68103	TROS HU013A	A69714K	TROS 370005A	A75016S	TROS 45637S
A65084	TROS 370019A	A69043	CUMMI 421	A69716K	TROS 370006A	A75233	CASE 415449!
A65102S	TROS 8974S	A693A	OLIVE 411253!	A69717K	TROS 370019A	A7597	AM CA 473453
A65103S	TROS 8975S	A693A	WHITE 411253!	A69718K	TROS 370019A	A76002S	TROS 200110
A65120S	TROS 4148	A69503K	TROS 370013A	A69719K	TROS 370006A	A76004	TROS 204008
A65120S	TROS 471424!	A69505K	TROS 386025A	A69724K	TROS 370036A	A76005S	TROS 203003
A65121S	TROS 9339S	A69505K	TROS 416158	A69724K	TROS 370349A	A76006S	TROS 203003
A65201S	TROS 8835S	A69506K	TROS 370029A	A69725K	TROS 370047A	A76008S	TROS 203006!
A65202S	TROS 8940S	A69509K	TROS 370037A	A69728K	TROS 370033A	A76010S	TROS 203008

! Industrial Size/Type = Call 1-800-480-1212 for price and delivery.

Zero Duplication or Recommended		Zero Duplication or Recommended		Zero Duplication or Recommended		Zero Duplication or Recommended	
Mfr. No.	Name	Industrial	Mfr. No.	Name	Industrial	Mfr. No.	Name
A76011S	TROS	203012	A80037S	TROS	240470	A81066	TROS
A76012S	TROS	203013	A80038S	TROS	6597S	A81067	TROS
A76013S	TROS	203016	A80040S	TROS	240698	A81100S	TROS
A76014	CASE	470898	A80041S	TROS	240716	A81101S	TROS
A76014S	TROS	203025	A80042S	TROS	240731	A81102S	TROS
A76015S	TROS	203029	A80044S	TROS	240733	A81103S	TROS
A76016S	TROS	45637S	A80045S	TROS	240735	A81104R	TROS
A76017S	TROS	204002	A80046S	TROS	240736	A81105S	TROS
A76021S	TROS	204008	A80049S	TROS	240816	A82139	BENDI
A76024S	TROS	204013	A80050S	TROS	240949	A82139	BENDI
A76025S	TROS	204017	A80052S	TROS	471076	A82170	C-W
A76026S	TROS	204020	A805F-104	ROCKW	472439	A8225	CASE
A76026S	TROS	204505!	A805F-108	ROCKW	410308!	A828	FMC
A76028S	TROS	204035	A805F-110	ROCKW	410825	A83000S	TROS
A76216	CASE	473459	A805F-111	ROCKW	470530!	A83002S	TROS
A76272	CASE	5164 =	A805F-118	ROCKW	473238!	A83003S	TROS
A7662	AM CA	471504!	A805F-120	ROCKW	410737!	A83004S	TROS
A7717	CLARK	415483!	A805F-121	ROCKW	472924!	A83005S	TROS
A778	WILYS	471413	A805F-124	ROCKW	472492!	A83009S	TROS
A779	WILYS	40576S	A805F-125	ROCKW	471271!	A83010S	TROS
A7792	CASE	415449!	A805F-126	ROCKW	417600	A83011S	TROS
A78003	TROS	205004	A805F-133	ROCKW	470954	A83012S	TROS
A78004	TROS	203005!	A805F-134	ROCKW	340853	A83013S	TROS
A78004	TROS	205005	A805F-136	ROCKW	455330!	A83014S	TROS
A78010	TROS	205015	A805F-139	ROCKW	450803	A83015S	TROS
A78012	TROS	204020	A805F-141	ROCKW	417171!	A83016S	TROS
A78012	TROS	204505!	A805F-143	ROCKW	471820	A83018S	TROS
A78013	TROS	205035	A805F-144	ROCKW	410102	A83020S	TROS
A78014	TROS	205044	A805F-148	ROCKW	472018	A83022S	TROS
A78016S	TROS	472144!	A805F-154	ROCKW	417597	A83023S	TROS
A78017S	TROS	210914	A805F-156	ROCKW	455480!	A83024S	TROS
A78018S	TROS	210945	A805F-161	ROCKW	415938	A83025S	TROS
A78019S	TROS	411376!	A805F-165	ROCKW	470565!	A83026S	TROS
A78021S	TROS	415449!	A805F-167	ROCKW	415371	A83027S	TROS
A78022S	TROS	417343!	A805F-169	ROCKW	417967!	A83028S	TROS
A78023S	TROS	412473!	A805F-173	ROCKW	473244	A83029S	TROS
A78024S	TROS	415725!	A805F-174	ROCKW	415854	A83030S	TROS
A78026S	TROS	471554!	A805F-179	ROCKW	415090	A83031S	TROS
A78029S	TROS	471224!	A805F-183	ROCKW	417602!	A83033S	TROS
A78031S	TROS	471689!	A805F-187	ROCKW	417570	A83034S	TROS
A78033S	TROS	472164!	A805F-190	ROCKW	412871!	A83035S	TROS
A78034S	TROS	472299	A805F-191	ROCKW	470898	A83037S	TROS
A78036S	TROS	471829	A805F-192	ROCKW	472299	A83039S	TROS
A78037S	TROS	415458!	A805F-194	ROCKW	455476	A83040S	TROS
A78038S	TROS	417487!	A805F-195	ROCKW	470565!	A83041	TMTR
A78038S	TROS	417487	A805F-199	ROCKW	450090	A83161	TMTR
A78039S	TROS	415146!	A805F-201	ROCKW	455251H	A83173	TMTR
A78039S	TROS	415991	A805F-205	ROCKW	417555!	A84001S	TROS
A78040S	TROS	415984!	A805F-208	ROCKW	415447	A84004S	TROS
A7870	CASE	415036	A805F-210	ROCKW	415379	A84004S	TROS
A7889	CASE	415036	A805F-215	ROCKW	450362	A84005S	TROS
A79011P	TROS	410737!	A805F-218	ROCKW	412861	A84006S	TROS
A79012S	TROS	417487!	A805F-220	ROCKW	456105	A84007S	TROS
A79012S	TROS	417487	A805F-60	ROCKW	417205!	A84008S	TROS
A79013S	TROS	415984!	A805F-69	ROCKW	472439	A84009S	TROS
A79016S	TROS	416404!	A805F-91	ROCKW	415447	A84011S	TROS
A79017S	TROS	415498	A805F130	ROCKW	471192	A84013S	TROS
A79018S	TROS	416500	A805F132	ROCKW	471689!	A84014S	TROS
A7963619	ACF	240736	A805F135	ROCKW	470764!	A84016S	TROS
A80011S	TROS	240007 =	A805F135	ROCKW	50764	A84019S	TROS
A80013S	TROS	240009	A805F193	ROCKW	470764!	A84020S	TROS
A80016S	TROS	240023	A805F193	ROCKW	50764	A84021S	TROS
A80019S	TROS	240119	A8072	TIMKE	450765!	A84022S	TROS
A80021S	TROS	240151	A81012	TROS	470530!	A84023S	TROS
A80026S	TROS	240215	A81019	TROS	415995!	A84024S	TROS
A80027S	TROS	240319	A81019	TROS	415995!	A84024S	TROS
A80028S	TROS	240356	A81021	TROS	417211!	A84025S	TROS
A80031S	TROS	6703S	A81022	TROS	415437	A84026S	TROS
A80032S	TROS	240414	A81023	TROS	412473!	A84027S	TROS
A80034S	TROS	240435	A81044	TROS	473448	A84028A	TROS
A80035S	TROS	240457	A81045	TROS	471652	A84030S	TROS
A80036S	TROS	240462	A81054	TROS	291295	A84033S	TROS
A84034S	TROS	416271!	A84034S	TROS	355200	A84035S	TROS
A84035S	TROS	416888!	A84036S	TROS	417350!	A84038S	TROS
A84036S	TROS	417350!	A84040S	TROS	327303!	A84833	CATER
A84038S	TROS	355732	A84833	TMTR	J1128	A84833	TMTR
A84040S	TROS	327303!	A85001S	TROS	470898	A85001S	TROS
A84833	CATER	J1128	A85004S	TROS	415458!	A85004S	TROS
A84833	TMTR	J1128	A85005S	TROS	417344!	A85005S	TROS
A85001S	TROS	470898	A85007S	TROS	415027	A85010S	TROS
A85004S	TROS	415458!	A85010S	TROS	417357	A85011P	TROS
A85005S	TROS	417344!	A85011P	TROS	415983N!	A85012S	TROS
A85007S	TROS	415027	A85012S	TROS	412920	A85015S	TROS
A85010S	TROS	417357	A85017S	TROS	203006!	A85017S	TROS
A85011P	TROS	415983N!	A85019S	TROS	441319	A85019S	TROS
A85012S	TROS	412920	A85024S	TROS	472016	A85024S	TROS
A85015S	TROS	203006!	A85025R	TROS	451143	A85025R	TROS
A85017S	TROS	441319	A85036S	TROS	472164	A85036S	TROS
A85019S	TROS	472016	A85037S	TROS	471341!	A85037S	TROS
A85024S	TROS	451143	A85042P	TROS	471827	A85042P	TROS
A85025R	TROS	472164	A85047S	TROS	473452	A85047S	TROS
A85036S	TROS	471341!	A85072S	TROS	471951!	A85072S	TROS
A85037S	TROS	471827	A85080R	TROS	472258!	A85080R	TROS
A85042P	TROS	473452	A86022	TROS	415379!	A86022	TROS
A85047S	TROS	471951!	A86029	TROS	5M81	A86029	TROS
A85072S	TROS	472258!	A86072	TROS	5M89	A86072	TROS
A85080R	TROS	415379!	A86073	TROS	5M289	A86073	TROS
A86022	TROS	5M81	A86085	TROS	5M293	A86085	TROS
A86029	TROS	5M89	A86090	TROS	5M356	A86090	TROS
A86072	TROS	5M289	A86098	TROS	370002A	A86098	TROS
A86073	TROS	5M293	A86098	TROS	5M403	A86098	TROS
A86085	TROS	5M356	A86099	TROS	5M406 =	A86099	TROS
A86090	TROS	370002A	A86107	TROS	5M445	A86107	TROS
A86098	TROS	5M403	A86120	TROS	5M466	A86120	TROS
A86099	TROS	5M406 =	A86134	TROS	5M497	A86134	TROS
A86107	TROS	5M445	A86135	TROS	370002A	A86135	TROS
A86120	TROS	5M466	A86142	TROS	5M544	A86142	TROS
A86134	TROS	5M497	A86143	TROS	5M559	A86143	TROS
A86135	TROS	370002A	A86144	TROS	5M643	A86144	TROS
A86142	TROS	5M544	A86160	TROS	5M867	A86160	TROS
A86143	TROS	5M559	A86177	TROS	5MR71	A86177	TROS
A86144	TROS	5M643	A86178	TROS	5MR1008	A86178	TROS
A86160	TROS	5M867	A86179	TROS	5MR1009	A86179	TROS
A86177	TROS	5MR71	A86184	TROS	5MR1300	A86184	TROS
A86178	TROS	5MR1008	A86185	TROS	5MR1301	A86185	TROS
A86179	TROS	5MR1009	A86200S	TROS	9911S	A86200S	TROS
A86184	TROS	5MR1300	A86201S	TROS	9913	A86201S	TROS
A86185	TROS	5MR1301	A86203S	TROS	9845	A86203S	TROS
A86200S	TROS	9911S	A86206S	TROS	9487	A86206S	TROS
A86201S	TROS	9913	A86207S	TROS	3604	A86207S	TROS
A86203S	TROS	9845	A86209S	TROS	9912	A86209S	TROS
A86206S	TROS	9487	A86210S	TROS	5123	A86210S	TROS
A86207S	TROS	3604	A86211S	TROS	5109	A86211S	TROS
A86209S	TROS	9912	A86215K	TROS	5092	A86215K	TROS
A86210S	TROS	5123	A86216K	TROS	5111	A86216K	TROS
A86211S	TROS	5109	A86216K	TROS	5111S	A86216K	TROS
A86215K	TROS	5092	A86217K	TROS	5112	A86217K	TROS
A86216K	TROS	5111	A86218K	TROS	5112S	A86218K	TROS
A86216K	TROS	5111S	A86219K	TROS	5390	A86219K	TROS
A86217K	TROS	5112	A86220K	TROS	5095	A86220K	TROS
A86218K	TROS	5390	A86225S	TROS	5116	A86225S	TROS
A86219K	TROS	5095	A86227S	TROS	2146	A86227S	TROS
A86220K	TROS	5116	A86230K	TROS	9449	A86230K	TROS
A86225S	TROS	2146	A86232S	TROS	5072	A86232S	TROS
A86227S	TROS	9449	A86233P	TROS	9487	A86233P	TROS
A86230K	TROS	5072	A86234K	TROS	8460N	A86234K	TROS
A86232S	TROS	9487	A86237S	TROS	5073	A86237S	TROS
A86233P	TROS	8460N	A86250S	TROS	2146	A86250S	TROS
A86234K	TROS	5073	A86255S	TROS	332134	A86255S	TROS
A86237S	TROS	2146			4250		

ALPHABETICAL

! Industrial Size/Type = Call 1-800-480-1212 for price and delivery.

Zero Duplication or Recommended		Zero Duplication or Recommended		Zero Duplication or Recommended		Zero Duplication or Recommended		
Mfr. No.	Name	Mfr. No.	Name	Mfr. No.	Name	Mfr. No.	Name	
A86256S	TROS	9864S	A86616 TROS	471646!	A87098S TROS	442874	A912542 FALCK	413247!
A86285S	TROS	415995!	A86624 TROS	471571	A87114S TROS	40101S	A91615 TMTR	471737
A86285S	TROS	415995!	A86626 TROS	472324!	A87128S TROS	40337S	A92842 OLIVE	417316!
A86287S	TROS	416706!	A86627 TROS	472324!	A87131S TROS	472029	A9288 BUTBN	40337S
A86289S	TROS	472397!	A86628 TROS	472324!	A87138S TROS	470605!	A95018 AM CA	472185!
A86290S	TROS	470605!	A86629 TROS	472324!	A87139S TROS	415449!	A95123 AM CA	415449!
A86291S	TROS	471344	A86643 TROS	471224!	A87142 TROS	415001!	A95155 AM CA	417073
A86293S	TROS	471763	A86644S TROS	471224!	A87146 TROS	416273!	A95161 AM CA	473227
A86297S	TROS	416273	A86645S TROS	471224!	A87156S TROS	451143	A95166 AM CA	471868
A86303S	TROS	2689S	A86647S TROS	471224!	A87159 TROS	413248	A95169 AM CA	417344!
A86310 TROS	471646!	A86650S TROS	471224!	A87161 TROS	417079	A95213 AM CA	415984!	
A86312 TROS	471413!	A86652 TROS	471224!	A87164 TROS	415458!	A95215 AM CA	473238	
A86313 TROS	471413!	A86654S TROS	471270!	A87189S TROS	416654	A95296 AM CA	471705!	
A86314 TROS	5131	A86657S TROS	471649!	A87190S TROS	416654	A95300 AM CA	416654!	
A86315 TROS	470625!	A86659 TROS	471649!	A87205 TROS	416404!	A95301 AM CA	472560N!	
A86317 TROS	350936	A86660S TROS	471649!	A87207 TROS	370046A	A958 WILYS	473229	
A86318 TROS	5121	A86670S TROS	471733	A87214 TROS	476470	A9733051 KELSE	45031S	
A86320 TROS	410308!	A86674S TROS	471744!	A87217 TROS	418028	A974 WILYS	471466!	
A86321 TROS	416273	A86676S TROS	471760	A87217 TROS	455137!	A9AZ7288A FORD	340797	
A86323 TROS	417487	A86677S TROS	471760	A87218S TROS	418028	A9LY7052A FORD	7300S	
A86325K TROS	5117	A86689 TROS	480210!	A87218S TROS	455137!	A9LY7052B FORD	473235!	
A86326K TROS	5127	A86705S TROS	471652	A87219 TROS	418028	AA0462E0 NOK	471549!	
A86355S TROS	471689!	A86706S TROS	471652	A87219 TROS	455137!	AA0462E0 NOK	471549*	
A86358P TROS	473010	A86710S TROS	471692!	A87220 TROS	416292	AA10570 JOHND	45013S	
A864 WILYS	40566S	A86712 TROS	471692!	A87221 TROS	415085!	AA1175A FORD	415960!	
A86423S TROS	471442!	A86717S TROS	471763	A87221 TROS	456648	AA1175AR FORD	455008	
A86424 TROS	471442!	A86718 TROS	473259	A87224 TROS	471791	AA1430E NOK	471649!	
A86426S TROS	471526!	A86725S TROS	470328	A87224 TROS	455165!	AA1443B OLIVE	417356!	
A86429S TROS	471526!	A86725S TROS	481213!	A87225S TROS	416327	AA1443B OLIVE	455188	
A86430S TROS	471526!	A86728S TROS	472475	A87232S TROS	415991	AA1443C OLIVE	472157	
A86431 TROS	471526!	A86741S TROS	471413!	A87232S TROS	415991!	AA1443C OLIVE	472157!	
A86440S TROS	471530	A86743S TROS	471737	A87233S TROS	415991!	AA1443E0 NOK	471733	
A86447S TROS	472705!	A86747S TROS	471750!	A87233S TROS	415991	AA15M200 CONTI	343185	
A86449S TROS	471281!	A86749S TROS	471766	A87235 TROS	55028	AA15M201 CONTI	471267!	
A86464S TROS	471466!	A86750S TROS	471766!	A87242 TROS	416919	AA15M202 CONTI	343185	
A86466S TROS	471466!	A86760S TROS	471787!	A87245 TROS	416339	AA1841F0 NOK	471766!	
A86468S TROS	471466!	A86774S TROS	473210	A87245 TROS	455031!	AA1841F0 NOK	471766*	
A86470 TROS	471466!	A86776 TROS	473210	A87246S TROS	416345!	AA1999E NOK	472354!	
A86471S TROS	471466!	A86790S TROS	472354!	A87246S TROS	455033	AA2162E0 NOK	36X50X7!	
A86473S TROS	471264!	A86795 TROS	472258!	A87249 TROS	45187S	AA2222E0 NOK	38X52X8.5	
A86475S TROS	471264!	A86797S TROS	470380!	A87253S TROS	471472!	AA2276E0 NOK	473227!	
A86477S TROS	471255!	A86799S TROS	471192	A87256S TROS	455194	AA2291E0 NOK	471344	
A86479S TROS	471564	A86803S TROS	471192	A87259 TROS	472157!	AA2293E0 NOK	473228!	
A86484S TROS	481528	A86819 TROS	471835!	A87259 TROS	472157	AA2296R JOHND	472287!	
A86486S TROS	481397	A86850 TROS	473231	A87265S TROS	6597S	AA2342Y0 NOK	224015	
A86487S TROS	481397	A86865 TROS	291099	A87267 TROS	416888!	AA2342Y0 NOK	40X52X7!	
A86495S TROS	471538!	A86866 TROS	470487!	A87275 TROS	415725!	AA2464E0 NOK	473367*	
A86497S TROS	471538!	A86875S TROS	472299	A87277S TROS	416865!	AA2464E0 NOK	473367!	
A86500S TROS	471553!	A86888S TROS	481181!	A87292 TROS	240319	AA2580E0 NOK	473237!	
A86501S TROS	471553!	A86914S TROS	473234!	A87293S TROS	470954!	AA2593E0 NOK	472193*	
A86514S TROS	470954!	A86928S TROS	340400	A87294S TROS	471643!	AA2593E0 NOK	472193!	
A86517S TROS	470954!	A86931 TROS	450400	A87295S TROS	471643!	AA2599E0 NOK	472179	
A86523S TROS	471554!	A86956 TROS	472179	A87300S TROS	472354!	AA2773E0 NOK	224820	
A86530S TROS	471567!	A86962S TROS	471141!	A87301S TROS	472354!	AA2773Y0 NOK	224820	
A86532S TROS	471567!	A86973S TROS	473451!	A87303S TROS	471827!	AA2847Y0 NOK	225020	
A86540S TROS	471643!	A87011 TROS	473462	A87304S TROS	1192	AA2847Y0 NOK	50X68X8!	
A86541 TROS	471643!	A87012 TROS	450965	A87313S TROS	340853	AA2928E0 NOK	470530	
A86554 TROS	481443!	A87014 TROS	417474	A87339S TROS	472560N	AA2929E NOK	470530!	
A86555S TROS	481443!	A87025S TROS	6703S	A87367S TROS	472705!	AA2934E0 NOK	472397!	
A86562 TROS	481644	A87027 TROS	472082	A87369S TROS	7188S	AA2942E0 NOK	410102	
A86564S TROS	481644	A87028 TROS	472924!	A87372S TROS	470954!	AA2990F0 NOK	340900	
A86573S TROS	471539!	A87030S TROS	472397!	A87373S TROS	470954!	AA2994F0 NOK	470898	
A86575S TROS	471539!	A87031 TROS	40301S	A87918 TMTR	470712!	AA3001E0 NOK	410308!	
A86579S TROS	471231!	A87038 TROS	473464	A8926 CASE	415988	AA3132E0 NOK	411253!	
A86581 TROS	471231!	A87051 TROS	5756	A8926X CASE	415988	AA3132G0 NOK	411253!	
A86584 TROS	471686	A87054 TROS	41013S	A89569 US-EL	471821!	AA3257E0 NOK	412119!	
A86597S TROS	471267!	A87064 TROS	410308	A89570 US-EL	473179!	AA3262E0 NOK	410686N	
A86598S TROS	471267!	A87071 TROS	473471	A8Q7274A FORD	471231!	AA3266E0 NOK	415857!	
A86605 TROS	471570!	A87076S TROS	341022	A8TZ1175A FORD	410987!	AA3267F0 NOK	410825	
A86606S TROS	471570!	A87084S TROS	471272!	A8TZ1175B FORD	410987!	AA3333Z1 NOK	472029	
A86607S TROS	471570!	A87087S TROS	471341!	A90830 CATER	470712!	AA3339E0 NOK	471271!	
A86614S TROS	471633!	A87094 TROS	411253!	A90830 TMTR	470712!	AA3346E0 NOK	415449	

! Industrial Size/Type * Minor Width Difference

Zero Duplication or Recommended		Zero Duplication or Recommended		Zero Duplication or Recommended		Zero Duplication or Recommended		
Mfr. No.	Name	Industrial	Mfr. No.	Name	Industrial	Mfr. No.	Name	
AA3349E0	NOK	415449!	AA7853E	NOK	417357!	AB0645F0	NOK	471466!
AA3357E0	NOK	455079!	AA7853E	NOK	455192*	AB0654E0	NOK	471264!
AA3439G0	NOK	415458!	AA7865E0	NOK	450621	AB0654F0	NOK	471264!
AA3479E	NOK	416664!	AA7914E0	NOK	416125!	AB0657E0	NOK	471255!
AA3487E0	NOK	416282	AA7B237	CONTI	471267!	AB0678E0	NOK	16X26X7
AA3606	DIA	455189	AA7C200	CONTI	481443!	AB0678QE	NOK	16X26X7
AA3654E0	NOK	100495	AA7C204	CONTI	417267	AB0685E0	NOK	221610
AA3654E0	NOK	417349	AA8006E0	NOK	471692*	AB0687E0	NOK	16X30X7
AA3665F0	NOK	415995!	AA8006E0	NOK	471692!	AB0688E0	NOK	16X30X7
AA3665F0	NOK	415995*	AA8007E0	NOK	473215	AB0698E0	NOK	16X35X7
AA3665FA	NOK	415995!	AA8007F0	NOK	473215!	AB0712E0	NOK	481073
AA3738R	JOHND	471554!	AA8012E0	NOK	410496	AB0721E0	NOK	481481
AA3796E0	NOK	476470	AA8012E0	NOK	410496!	AB0722F0	NOK	481481
AA4183E0	NOK	416891!	AA8019E0	NOK	410102	AB0736F0	NOK	221710
AA4245AR	FORD	473367!	AA8020E0	NOK	413246!	AB0742G0	NOK	221720
AA4245AR	FORD	473367!	AA8020E0	NOK	413246	AB0745G0	NOK	17X30X7
AA4432E1	NOK	417541	AA8022E0	NOK	474255	AB0751E0	NOK	221730
AA4525F	NOK	416107!	AA8056E0	NOK	471619*	AB0759E0	NOK	17X35X7
AA4686	FORD	471750!	AA8056E0	NOK	471619!	AB0771E1	NOK	17X40X7
AA4700	FORD	474281!	AA8061E0	NOK	412901	AB0788E	NOK	471553!
AA4700R	FORD	474281!	AA8072E0	NOK	471567!	AB0788E	NOK	471553*
AA487R	JOHND	416282	AA8098E0	NOK	226285	AB0788E1	NOK	471553!
AA502R	JOHND	476470	AA8098E0	NOK	62X85X8!	AB0788E1	NOK	471553*
AA505	JOHND	476470	AA8222E0	NOK	417344	AB0816E0	NOK	221820
AA506	JOHND	416282	AA8223E0	NOK	455858	AB0817E0	NOK	221820
AA510R	JOHND	417316!	AA8360E0	NOK	471692!	AB0829E0	NOK	18X35X7
AA520	JOHND	417316!	AA8367E0	NOK	471138=	AB0831E0	NOK	18X35X7
AA5247R	JOHND	472560N!	AA8376E0	NOK	55337	AB0875E0	NOK	19X35X10!
AA5506R	JOHND	471271!	AA8425E0	NOK	451030=	AB0896E0	NOK	254270!
AA5607R	JOHND	240731	AA8440E0	NOK	473454	AB0898E	NOK	254270!
AA5613	JOHND	471267!	AA8511E0	NOK	415960	AB0898E0	NOK	1049
AA5613R	JOHND	471267!	AA8524E0	NOK	473258!	AB0909F	NOK	470954!
AA620A	GAL	416271!	AA8531E0	NOK	415234!	AB0909F0	NOK	470954!
AA620A	HOUGH	416271!	AA8586E0	NOK	455251H	AB0909F1	NOK	470954
AA620A	OLIVE	416271!	AA8739E0	NOK	471643!	AB0913E0	NOK	470954!
AA6605R	JOHND	470898	AA8765E0	NOK	473367*	AB0913F	NOK	470954!
AA6606R	JOHND	471271!	AA8765E0	NOK	473367!	AB0913F0	NOK	470954!
AA663	JOHND	5M356	AA8768E0	NOK	416154!	AB0913G0	NOK	470954!
AA6732Y0	NOK	1950	AAA397A0	NOK	62X85X8!	AB0915F	NOK	470954
AA6867E0	NOK	352637	AAL0088	LEYLD	370003A	AB0923F0	NOK	471554!
AA6922E	NOK	471733*	AAX29789	JOHND	471267!	AB0923H0	NOK	471554!
AA7032F0	NOK	470059	AAX43052	JOHND	472287!	AB0938E0	NOK	471643!
AA7032F0	NOK	470380!	AAX82739	JOHND	476838!	AB0984H0	NOK	20X30X7
AA7075E0	NOK	470328	AAX87908	JOHND	473254!	AB0987E0	NOK	20X30X7
AA7075E0	NOK	481213!	AAX90840	JOHND	472560N!	AB0997E0	NOK	222020
AA7304E0	NOK	473214!	AAX92035	JOHND	472070	AB1012E0	NOK	222030
AA7305E0	NOK	412028	AAX92755	JOHND	472258	AB1013E0	NOK	222030
AA7323E0	NOK	470950!	AAX92789	JOHND	471267!	AB1029E0	NOK	222050
AA7325E0	NOK	40389S	AB0067E	NOK	350435	AB1030E0	NOK	222050
AA7326E0	NOK	471516!	AB0067E0	NOK	350435	AB1032E0	NOK	20X40X10
AA7373E0	NOK	473458!	AB0205E0	NOK	9X22X7	AB1033F0	NOK	20X40X10
AA7411E0	NOK	456105	AB0223E0	NOK	330385!	AB1116E0	NOK	222210
AA7412E0	NOK	476470	AB0224G0	NOK	330385!	AB1126E	NOK	22X35X7
AA7594E0	NOK	472636*	AB0327E0	NOK	50199S!	AB1126E0	NOK	222220
AA7594E0	NOK	472636!	AB0327E0	NOK	6863S!	AB1127E0	NOK	222220
AA7600E0	NOK	471870*	AB0371E0	NOK	12X22X7!	AB1145E0	NOK	22X42X10
AA7600E0	NOK	471870!	AB0387E0	NOK	12X28X7	AB1148E0	NOK	22X42X10
AA7601E0	NOK	473517!	AB0450E0	NOK	471442!	AB1172E0	NOK	7840S
AA7602E0	NOK	471192	AB0456F0	NOK	471526!	AB1172F0	NOK	7840S
AA7603E0	NOK	450492	AB0456G0	NOK	471526!	AB1181E0	NOK	471267!
AA7624E0	NOK	416404!	AB0462E0	NOK	471549*	AB1181F0	NOK	471267!
AA7626E0	NOK	417159	AB0462E0	NOK	471549!	AB1182F0	NOK	471267
AA7652E0	NOK	472924!	AB0478E	NOK	14X24X7!	AB1184G0	NOK	471267!
AA7652E0	NOK	472924*	AB0478E0	NOK	13X28X7!	AB1192E0	NOK	350877
AA7652F0	NOK	472924*	AB0514E0	NOK	221410	AB1192E0	NOK	471633!
AA7652F0	NOK	472924!	AB0526E0	NOK	14X30X7	AB1194E0	NOK	471646!
AA7681E0	NOK	450593	AB0545E	NOK	472705!	AB1232E0	NOK	471571
AA7681E0	NOK	450593!	AB0552F	NOK	472705!	AB1255E0	NOK	24X38X7
AA7687E0	NOK	417474	AB0592E0	NOK	15X28X7	AB1260E0	NOK	24X40X7!
AA7711E0	NOK	471750!	AB0598E0	NOK	221540	AB1274E0	NOK	471648
AA7723E0	NOK	415254	AB0604E0	NOK	15X32X8	AB1274F0	NOK	471648=
AA7820E0	NOK	416271!	AB0610E0	NOK	15X35X7	AB1292E	NOK	222510
AB1292E	NOK	25X35X7!	AB1292W	NOK	222510	AB1292W0	NOK	222510
AB1292W	NOK	222510	AB1294F0	NOK	25X35X7!	AB1306E0	NOK	222535
AB1294F0	NOK	25X35X7!	AB1307E0	NOK	222535	AB1314F0	NOK	222540
AB1306E0	NOK	222535	AB1315E0	NOK	222540	AB1322E0	NOK	25X42X10
AB1307E0	NOK	222535	AB1334F0	NOK	25X45X8	AB1335F0	NOK	25X45X8
AB1314F0	NOK	222540	AB1337F0	NOK	25X45X8	AB1338E0	NOK	25X45X8
AB1315E0	NOK	222540	AB1348E0	NOK	25X47X7	AB1361E0	NOK	25X50X10
AB1322E0	NOK	25X42X10	AB1361E0	NOK	25X50X10	AB1374E	NOK	25X52X8
AB1334F0	NOK	25X45X8	AB1374E	NOK	25X52X8	AB1374E0	NOK	25X52X10
AB1335F0	NOK	25X45X8	AB1374E0	NOK	25X52X10	AB1377E	NOK	25X52X8
AB1337F0	NOK	25X45X8	AB1377E	NOK	25X52X8	AB1377E0	NOK	25X52X10
AB1338E0	NOK	25X45X8	AB1377E0	NOK	25X52X10	AB1379E0	NOK	25X52X10
AB1348E0	NOK	25X47X7	AB1379E0	NOK	25X52X10	AB139E0	NOK	471267!
AB1361E0	NOK	25X50X10	AB139E0	NOK	471267!	AB13C200	CONTI	471267!
AB1374E	NOK	25X52X8	AB13C201	CONTI	471466!	AB13C201	CONTI	471466!
AB1374E0	NOK	25X52X10	AB13S204	CONTI	350364	AB13S204	CONTI	350364
AB1377E	NOK	25X52X8	AB1402E0	NOK	252277*	AB1402E0	NOK	252277*
AB1377E0	NOK	25X52X10	AB1403E0	NOK	252277	AB1403E1	NOK	252277
AB1379E0	NOK	25X52X10	AB1403E1	NOK	252277	AB1408E0	NOK	472311!
AB139E0	NOK	471267!	AB1408E0	NOK	472311!	AB1410E2	NOK	471224!
AB139E0	NOK	471224!	AB1410E2	NOK	471224!	AB1410F0	NOK	471224!
AB1402E0	NOK	252277*	AB1411E0	NOK	471224!	AB1411E0	NOK	471224!
AB1403E0	NOK	252277	AB1426E0	NOK	471270!	AB1426E0	NOK	471270!
AB1403E1	NOK	252277	AB1427E0	NOK	471270!	AB1427E0	NOK	471270!
AB1408E0	NOK	472311!	AB1463E0	NOK	26X38X5!	AB1463E0	NOK	26X38X5!
AB1410E2	NOK	471224!	AB1468E	NOK	471076	AB1468E	NOK	471076
AB1410F0	NOK	471224!	AB1468E0	NOK	26X40X7!	AB1468E0	NOK	26X40X7!
AB1411E0	NOK	471224!	AB1468E0	NOK	471076	AB1468E0	NOK	471076
AB1426E0	NOK	471270!	AB1474F0	NOK	26X42X10	AB1474F0	NOK	26X42X10
AB1427E0	NOK	471270!	AB1486E	NOK	481650	AB1486E	NOK	481650
AB1463E0	NOK	26X38X5!	AB1486E0	NOK	481650	AB1486E0	NOK	481650
AB1468E	NOK	471076	AB1518E0	NOK	27X47X10	AB1518E0	NOK	27X47X10
AB1468E0	NOK	26X40X7!	AB1531E0	NOK	28X38X7	AB1531E0	NOK	28X38X7
AB1468E0	NOK	471076	AB1532E1	NOK	28X38X7	AB1532E1	NOK	28X38X7
AB1474F0	NOK	26X42X10	AB1538E0	NOK	222820	AB1538E0	NOK	222820
AB1486E	NOK	481650	AB1538E0	NOK	28X40X7!	AB1538E0	NOK	28X40X7!
AB1486E0	NOK	481650	AB1546G1	NOK	222835	AB1546G1	NOK	222835
AB1518E0	NOK	27X47X10	AB1598E0	NOK	3638	AB1598E0	NOK	3638
AB1531E0	NOK	28X38X7	AB1598E0	NOK	471652	AB1598E0	NOK	471652
AB1532E1	NOK	28X38X7	AB1600G0	NOK	471652	AB1600G0	NOK	471652
AB1538E0	NOK	222820	AB1711E0	NOK	476838!	AB1610E0	NOK	476838!
AB1538E0	NOK	28X40X7!	AB1712E0	NOK	476838!	AB1610E0	NOK	476838!
AB1546G1	NOK	222835	AB1712E0	NOK	476838!	AB1617E0	NOK	471763
AB1598E0	NOK	3638	AB1712E0	NOK	476838!	AB1617E0	NOK	471763
AB1598E0	NOK	471652	AB1712E0	NOK	476838!			

Zero Duplication or Recommended Industrial		Zero Duplication or Recommended Industrial		Zero Duplication or Recommended Industrial		Zero Duplication or Recommended Industrial					
Mfr. No.	Name	Mfr. No.	Name	Mfr. No.	Name	Mfr. No.	Name				
AB1826E0	NOK	471413!	AB2483E0	NOK	224210	AB3204F0	NOK	60X78X8	AB4161E0	NOK	231058
AB1830E	NOK	471413!	AB2493E0	NOK	1953	AB3220E0	NOK	2001	AB4180E0	NOK	415196!
AB1832F0	NOK	471737	AB2493E0	NOK	42X60X7!	AB3222G0	NOK	2001	AB4184E	NOK	415045!
AB1832F1	NOK	471737	AB2504E0	NOK	224255	AB3224E0	NOK	60X85X8!	AB4184E2	NOK	415045!
AB1838E0	NOK	471766!	AB2507E0	NOK	224255	AB3234E	NOK	60X85X8	AB4212E0	NOK	100X140X13*
AB1850E	NOK	471801!	AB25252027	IH	472299	AB3234E0	NOK	60X85X12	AB4212E0	NOK	110X140X12
AB1850E1	NOK	471801!	AB2525203	IH	412871!	AB3244E	NOK	60X90X8	AB4212E0	NOK	231108
AB1880E0	NOK	223230	AB2525304	IH	410059	AB3244E0	NOK	60X90X10	AB4228E0	NOK	416380!
AB1884E0	NOK	223235	AB2525304	IH	470380!	AB3253E	NOK	470565!	AB4228E0	NOK	416380!
AB1884E0	NOK	32X46X6!	AB2569E0	NOK	474216	AB3253E0	NOK	470565!	AB4255F0	NOK	416888!
AB1894E0	NOK	223240	AB2578	JOHND	476838!	AB3267E0	NOK	410825	AB4262E0	NOK	416892!
AB1894E0	NOK	32X48X8!	AB2594E0	NOK	470334!	AB3290F0	NOK	62X80X10	AB4269E	NOK	415351!
AB1902E0	NOK	223255	AB2600E0	NOK	471141!	AB3297E0	NOK	226285	AB4269E2	NOK	415351!
AB1902E0	NOK	32X52X7!	AB2614E0	NOK	224520	AB3336E0	NOK	471271!	AB4346A0	NOK	231206
AB1904E0	NOK	1167	AB2614E0	NOK	45X60X10!	AB3338E0	NOK	471271!	AB4346E0	NOK	120X150X12
AB1978E0	NOK	34X54X9	AB2641E0	NOK	45X60X7	AB3347F0	NOK	415449!	AB4362E0	NOK	415138!
AB1990E	NOK	482163!	AB2643F0	NOK	224520	AB3352E	NOK	415001!	AB4399A0	NOK	125X155X15
AB1990E0	NOK	482163!	AB2643F0	NOK	45X60X10!	AB3389G0	NOK	65X82X8	AB4404E0	NOK	231255
AB2005E0	NOK	472258!	AB2651F0	NOK	1012N	AB3395E0	NOK	226520	AB4413E	NOK	417273
AB2012F0	NOK	471192	AB2652E0	NOK	1012	AB3409F0	NOK	226530	AB4413E3	NOK	417273
AB2041F0	NOK	223510	AB2652E0	NOK	1012N	AB3446E0	NOK	417082	AB4451A0	NOK	130X160X12
AB2041F0	NOK	35X47X7!	AB2666F0	NOK	224560	AB3459F0	NOK	226850	AB4451A0	NOK	231302
AB2056E	NOK	35X50X8!	AB2668F0	NOK	224560	AB3478F0	NOK	416664!	AB4465E0	NOK	231305
AB2056E0	NOK	223250	AB2753E0	NOK	472439	AB3487E0	NOK	416282	AB4471X	NOK	416557
AB2057G0	NOK	223520!	AB2773YO	NOK	224820	AB3513E0	NOK	227040	AB4471X0	NOK	416557
AB2066E0	NOK	223535	AB2773YO	NOK	48X62X8!	AB3513E0	NOK	70X90X10!	AB452A0	NOK	231404
AB2069E0	NOK	223535	AB2775E0	NOK	224830	AB3519G0	NOK	227045	AB4581A0	NOK	145X175X15
AB2081E	NOK	35X55X8!	AB2775G	NOK	224820	AB3527G0	NOK	70X95X13	AB4624A0	NOK	231502
AB2081E0	NOK	35X55X11!	AB2775G0	NOK	48X62X8!	AB3532G0	NOK	227060	AB4649E	NOK	415072
AB2085F0	NOK	223542	AB2788E0	NOK	1994	AB3537F0	NOK	416921!	AB4649E0	NOK	415072
AB2162E0	NOK	223605	AB2791E0	NOK	1994	AB3562G0	NOK	227240	AB4713A0	NOK	160X190X15
AB2164E0	NOK	223605	AB2838E0	NOK	225010	AB3573E	NOK	416921!	AB4764E	NOK	416229
AB2230E0	NOK	223832	AB2838E0	NOK	50X65X8!	AB3618A4	NOK	75X100X12!	AB4764E0	NOK	416229
AB2231E0	NOK	223832	AB2847G0	NOK	225020	AB3618H0	NOK	227550	AB4795A0	NOK	231705
AB2239E0	NOK	223840	AB2853	NOK	50X70X9	AB3631E0	NOK	75X105X13	AB4835E	NOK	455584
AB2240G0	NOK	1175	AB2853E	NOK	1960	AB3664E0	NOK	415995!	AB4835E0	NOK	455584
AB2240G0	NOK	38X58X8!	AB2853E0	NOK	1960	AB3664E0	NOK	415995*	AB4898A0	NOK	231805
AB2250E0	NOK	223845	AB2853E0	NOK	50X70X8!	AB3665E0	NOK	415995!	AB4974F0	NOK	231905
AB2253720	IH	471466!	AB2854G0	NOK	1189	AB3665E0	NOK	415995*	AB5035E	NOK	415551
AB2267E0	NOK	474276!	AB2861E0	NOK	225030	AB3705E0	NOK	417621!	AB5035E0	NOK	415551
AB2278F	NOK	473227	AB2861E0	NOK	50X72X8!	AB3705E0	NOK	417621*	AB5054G0	NOK	200X230X15!
AB2281G0	NOK	470625!	AB2864G0	NOK	225030	AB3708E0	NOK	416288!	AB5070R	JOHND	410496!
AB2281G0	NOK	470625*	AB2888E0	NOK	225050	AB3732E	NOK	228010	AB5131E0	NOK	210X240X15
AB2298E	NOK	474281*	AB2913E0	NOK	471424!	AB3732E	NOK	80X100X10!	AB5160R	JOHND	417158!
AB2298E	NOK	474281!	AB2919E0	NOK	472492!	AB3732E0	NOK	80X100X10!	AB5204E0	NOK	232205
AB2298E0	NOK	474281!	AB2922F0	NOK	472492*	AB3744H0	NOK	228020	AB5340E	NOK	240X270X16!
AB2298E0	NOK	474281*	AB2922F0	NOK	472492!	AB3744P	NOK	80X105X14!	AB5340EX	NOK	240X270X15!
AB2343E0	NOK	224010	AB2931E0	NOK	472397!	AB3777X	NOK	455336	AB5351A0	NOK	240X280X16
AB2343E0	NOK	40X52X7!	AB2934F0	NOK	472397!	AB3777X1	NOK	455336	AB5398E0	NOK	250X280X15
AB2361G	NOK	224020	AB2955	NOK	1955	AB3796E0	NOK	476470!	AB5560E0	NOK	280X320X20
AB2361G	NOK	40X55X8!	AB2955	NOK	52X65X9!	AB3796E0	NOK	476470*	AB5841A6	NOK	360X400X20
AB2361G0	NOK	224020	AB2955I	NOK	425208	AB3809E0	NOK	418028!	AB6764E	NOK	8704S
AB2369F0	NOK	40X58X10!	AB2967E0	NOK	52X75X12	AB3809E0	NOK	418028*	AB6819E0	NOK	340853
AB2375E0	NOK	224040	AB2994E0	NOK	470898	AB3837E0	NOK	85X105X13	AB6922E0	NOK	471733
AB2375E0	NOK	40X60X10!	AB3014E1	NOK	225420	AB3842H0	NOK	228520	AB6922F0	NOK	471733
AB2379F0	NOK	224020	AB3036F0	NOK	55X78X8!	AB3855E0	NOK	85X120X12!	AB6935E	NOK	1010=
AB2386E	NOK	224045	AB3040G0	NOK	225530	AB3891F0	NOK	415991!	AB6957E	NOK	480889*
AB2386E	NOK	40X62X8!	AB3040G0	NOK	55X72X8!	AB3891F0	NOK	455146	AB7017E0	NOK	472705!*
AB2386E0	NOK	224045	AB3053E0	NOK	55X78X10	AB3944E0	NOK	90X125X12	AB7079E0	NOK	416273
AB2386E0	NOK	40X62X12!	AB3055J0	NOK	55X78X10	AB3963E0	NOK	415937!	AB7080E0	NOK	473228!
AB2386E0	NOK	40X62X7	AB3062E0	NOK	225550	AB3994F0	NOK	229510	AB7095E0	NOK	472164!
AB2388F0	NOK	224045	AB3062E0	NOK	55X80X8!	AB4007E0	NOK	229520	AB7101E0	NOK	38X47X8!
AB2390H0	NOK	224045	AB3072F0	NOK	55X85X10	AB4017F0	NOK	415379	AB7109E0	NOK	471341!
AB2405E0	NOK	40X65X10	AB3092E0	NOK	56X72X11.5	AB4020E0	NOK	416339	AB7126E0	NOK	473197=
AB2443Y0	NOK	1181	AB3094E0	NOK	56X78X8	AB4037E0	NOK	416345!	AB7127E0	NOK	471795
AB2443Y0	NOK	41X56X7!	AB3135E0	NOK	412920!	AB4055E0	NOK	100X120X12!	AB7128E0	NOK	471750!
AB2459E0	NOK	473231!	AB3148E0	NOK	225875	AB4055E0	NOK	231002	AB7138E0	NOK	471255!
AB2469E0	NOK	474216	AB3152G0	NOK	225880	AB4063A0	NOK	231003	AB7153E0	NOK	471272!
AB2481Y	NOK	1180	AB3154E0	NOK	225880	AB4109E0	NOK	415035*	AB7166E0	NOK	471570!
AB2481Y	NOK	42X55X8!	AB3165E	NOK	410694!	AB4109E0	NOK	415035!	AB7175E0	NOK	471192
AB2481Y0	NOK	1180	AB3193F0	NOK	60X75X8!	AB4116F0	NOK	417356!	AB718	JOHND	411253!
AB2481Y0	NOK	41X55X7!	AB3195F0	NOK	60X75X8!	AB4150E0	NOK	231053	AB7270E0	NOK	481181!

! Industrial Size/Type * Minor Width Difference = Call 1-800-480-1212 for price and delivery.

Zero Duplication or Recommended		Zero Duplication or Recommended		Zero Duplication or Recommended		Zero Duplication or Recommended					
Mfr. No.	Name	Mfr. No.	Name	Mfr. No.	Name	Mfr. No.	Name				
AB7282E0	NOK	416135!	AB7807E0	NOK	6936S	AB8036F0	NOK	471354 =	AC0771F0	NOK	17X40X7
AB7345E	NOK	472397!	AB7808E	NOK	473242	AB8065E0	NOK	471442!	AC0829A0	NOK	18X35X7
AB7358E1	NOK	471539!*	AB7809E0	NOK	473204	AB8066E0	NOK	472475	AC0875A0	NOK	19X35X10!
AB7368E0	NOK	481163!	AB7810E0	NOK	472015!	AB8071E0	NOK	471651	AC0897E0	NOK	254270!
AB7375E0	NOK	472560N!	AB7811E0	NOK	472016!	AB8201E0	NOK	471103!	AC0898E0	NOK	1049
AB7391E0	NOK	6863S!	AB7812E0	NOK	473243	AB8201E1	NOK	471103!	AC0913E0	NOK	470954!
AB7408E0	NOK	415960	AB7813E	NOK	473244	AB8202E	NOK	472354!	AC0913E1	NOK	470954!
AB7409E0	NOK	473459!	AB7814E0	NOK	472018	AB8202E0	NOK	472354!	AC091300	NOK	470954
AB7410E0	NOK	471138!	AB7815E	NOK	482020 =	AB8353E0	NOK	471984	AC0923F0	NOK	471554!
AB7446E0	NOK	38X47X8!	AB7816E	NOK	473245	AB8375E0	NOK	410190	AC0984E0	NOK	20X30X7
AB7621E0	NOK	473237	AB7817E0	NOK	472636!	AB8402E0	NOK	352541	AC0997E0	NOK	222020
AB7625E0	NOK	471818	AB7818E0	NOK	413246!	AB8439E0	NOK	6413S	AC1012E0	NOK	222030
AB764E0	NOK	450536	AB7819E0	NOK	413247!	AB8476E0	NOK	471344	AC1013A0	NOK	222030
AB764E0	NOK	471535!	AB7820E0	NOK	416271!	AB8497E0	NOK	330699!	AC1015 FMC		415088
AB7650E0	NOK	471645	AB7821E0	NOK	470605!	AB8523E0	NOK	473258!	AC1015 FMC		415088!
AB7659E0	NOK	471649!	AB7822E0	NOK	413248	AB8523E1	NOK	473258!	AC10171	COC	473436
AB7673E1	NOK	470380!	AB7823E	NATSU	415483	AB8526E0	NOK	482126	AC10177	OLIVE	473436
AB7674E0	NOK	473233!	AB7823E	NATSU	415483 =	AB8535E0	NOK	410190*	AC1029E0	NOK	222050
AB7684E0	NOK	471870!	AB7823E0	NOK	415483	AB8759E0	NOK	472164!	AC1030F0	NOK	20X40X10
AB7686E0	NOK	470334!	AB7825E0	NOK	417343!	AB8771E0	NOK	8133S	AC1030F0	NOK	20X40X7!
AB7738E0	NOK	413246!	AB7826E0	NOK	415984!	AB8778E0	NOK	471551!	AC1032F0	NOK	20X40X10
AB7758E0	NOK	471442!	AB7827E0	NOK	417316!	AB8779E0	NOK	481443!	AC1033A0	NOK	20X40X10
AB7759E0	NOK	471472!	AB7828E0	NOK	415303!	AB8931E0	NOK	5124	AC1038E	NOK	20X42X10
AB7760E0	NOK	471564	AB7829E0	NOK	417344!	AB8932E0	NOK	9569S	AC1038E0	NOK	20X42X10
AB7761E0	NOK	471567!	AB7830E0	NOK	417158!	AB8935E0	NOK	471688	AC1048F0	NOK	20X47X7
AB7762E0	NOK	471643!	AB7831E0	NOK	417349!	ABB013B0	NOK	52X65X9!	AC1048F0	NOK	222075
AB7762E1	NOK	471643!	AB7832E0	NOK	417350!	ABB587A0	NOK	17X28X7	AC1059E0	NOK	20X52X7
AB7763E0	NOK	471570!	AB7833E0	NOK	417351!	ABX69660	JOHND	240215	AC1070E0	NOK	471539
AB7764E0	NOK	470590	AB7834E0	NOK	417171!	AC0105E0	NOK	350364	AC10801	OLIVE	472409
AB7765E0	NOK	471689!	AB7835E0	NOK	417172	AC0105E1	NOK	350364	AC11259	DRESS	471820
AB7766E0	NOK	471692!	AB7836E0	NOK	417181!	AC0105H0	NOK	350364	AC11259	EL-MO	471820
AB7767E0	NOK	470712!	AB7837E0	NOK	417353!	AC0123E1	NOK	10X25X7	AC11259	WAYNE	471820
AB7768E0	NOK	473203	AB7838E0	NOK	416294!	AC0134F0	NOK	220860	AC1126F0	NOK	222220
AB7769E0	NOK	472475	AB7840E0	NOK	417191	AC0134F0	NOK	8X16X7!	AC11436	COC	455356
AB7770E0	NOK	473205!	AB7841E0	NOK	417354!	AC0205A0	NOK	9X22X7	AC11436	OLIVE	455356
AB7771E	NOK	473210	AB7842E0	NOK	416624!	AC0205E0	NOK	9X22X7	AC11436	WHITE	455356
AB7772E	NOK	473211	AB7843E0	NOK	417196!	AC0224F0	NOK	330385!	AC1148A0	NOK	22X42X10
AB7773E	NOK	473212	AB7844E0	NOK	415437	AC0224F1	NOK	330385!	AC1148E	NOK	22X42X10
AB7774E	NOK	473213	AB7845E	NATSU	416130!	AC0227E0	NOK	350156	AC1148E0	NOK	22X42X10
AB7775E0	NOK	473214!	AB7845E	NATSU	486130 =	AC0227E0	NOK	473096!	AC11498	WAYNE	473214!
AB7776E0	NOK	473215!	AB7845E0	NOK	416332*	AC0227E1	NOK	350156	AC11501	WAYNE	450165
AB7777E0	NOK	473224!	AB7845E0	NOK	416332!	AC0227E1	NOK	473096!	AC11501	WAYNE	471801!
AB7778E0	NOK	473016!	AB7846E0	NOK	417355!	AC0308E0	NOK	11X22X7	AC1172E	NOK	5076
AB7779E0	NOK	473225!	AB7847E0	NOK	416125!	AC0387E0	NOK	12X28X7	AC1172E0	NOK	5076
AB7780E0	NOK	473226	AB7848E0	NOK	416041	AC0442F1	NOK	330699!	AC11805	COC	412871!
AB7781E0	NOK	473227!	AB7849E0	NOK	417205!	AC0456E0	NOK	471526!	AC11805	OLIVE	412871!
AB7782E0	NOK	470380!	AB7850E0	NOK	417211!	AC0514E0	NOK	221410	AC1181E0	NOK	471267!
AB7783E0	NOK	473228!	AB7851E0	NOK	415697!	AC0526A0	NOK	14X30X7	AC1260A0	NOK	222430
AB7784E0	NOK	472213	AB7852E0	NOK	417366!	AC0545E0	NOK	471281!	AC1260A0	NOK	24X40X7!
AB7785E0	NOK	472299	AB7853E	NATSU	417357	AC0559E0	NOK	472705!	AC1314A0	NOK	222540
AB7786E0	NOK	473229!	AB7855E	NATSU	472157	AC0598A0	NOK	221540	AC1314A0	NOK	25X40X7!
AB7787E0	NOK	470682	AB7855E	NATSU	486556 =	AC0603E0	NOK	15X32X8	AC1350E0	NOK	222560
AB7788E0	NOK	473230!	AB7855E0	NOK	416556!	AC0610F0	NOK	15X35X7	AC1363E0	NOK	25X50X10
AB7789E0	NOK	473010!	AB7855E0	NOK	472157*	AC0611E0	NOK	15X35X7	AC1372F	NOK	25X52X8
AB7790E0	NOK	473232!	AB7856E	NATSU	416891!	AC0620E0	NOK	471532	AC1372F0	NOK	25X52X10
AB7791E	NOK	473233	AB7856E0	NOK	416891!	AC0639E	NOK	351487	AC1372F0	NOK	25X52X7!
AB7792E0	NOK	473234!	AB7857E	NATSU	416153!	AC0639E0	NOK	351487	AC1419E0	NOK	471224!
AB7793E0	NOK	473235!	AB7857E0	NOK	416153!	AC0644E	NOK	471466!	AC1474A0	NOK	26X42X10
AB7794E	NOK	473236!	AB7858E	NATSU	417247!	AC0649E0	NOK	471466!	AC1476E0	NOK	26X45X8
AB7795E0	NOK	473237!	AB7858E0	NOK	417247!	AC0654E0	NOK	471264!	AC1543E0	NOK	28X42X8!
AB7796E0	NOK	472185!	AB7859E	NATSU	415725!	AC0678E0	NOK	16X26X7	AC1583	KOHL	471354!
AB7797E0	NOK	472179	AB7859E0	NOK	415725!	AC0684E1	NOK	16X28X7	AC1598E0	NOK	3638*
AB7798E0	NOK	472439	AB7860E	NATSU	470625!	AC0684E1	NOK	221610	AC1598E0	NOK	471652
AB7799E0	NOK	472572!	AB7860E0	NOK	470625!	AC0687E0	NOK	221620	AC1599E0	NOK	471652
AB7800E0	NOK	473238!	AB7892E0	NOK	471270	AC0721E0	NOK	481481	AC1665E	NOK	30X42X7!
AB7801E0	NOK	473239!	AB7897E0	NOK	450375!	AC0736E0	NOK	221710	AC1665E0	NOK	1970
AB7802E	NOK	473240	AB7897E0	NOK	6936S!	AC0742E0	NOK	221720	AC1666E2	NOK	1970
AB7803E0	NOK	472319	AB7897E0	NOK	9845	AC0745E0	NOK	221720	AC1679A0	NOK	1981
AB7804E0	NOK	473241	AB7934E0	NOK	6370N	AC0750E1	NOK	221730	AC1682E0	NOK	223014*
AB7805E0	NOK	472144!	AB7938E0	NOK	473447	AC0758E0	NOK	17X35X7	AC1691	OLIVE	471692!
AB7806E0	NOK	472394	AB7940E0	NOK	470530!	AC0759H0	NOK	17X35X7	AC1709A0	NOK	30X50X7
AB7807E	NOK	6936S	AB8036E0	NOK	471354!	AC0760A0	NOK	17X35X7	AC1719E0	NOK	30X52X7

! Industrial Size/Type * Minor Width Difference = Call 1-800-480-1212 for price and delivery.

ALPHABETICAL

Zero Duplication or Recommended		Zero Duplication or Recommended		Zero Duplication or Recommended		Zero Duplication or Recommended	
Mfr. No.	Name	Mfr. No.	Name	Mfr. No.	Name	Mfr. No.	Name
AC1748G0	NOK	AC2861E0	NOK	AC6900E0	NOK	AD0325F0	NOK
AC1765F0	NOK	AC2861E0	NOK	AC7071E0	NOK	AD0371E0	NOK
AC1824E0	NOK	AC2864K0	NOK	AC7071E0	NOK	AD0451E0	NOK
AC1838E0	NOK	AC2888E0	NOK	AC7126E	NOK	AD0456E0	NOK
AC1841E0	NOK	AC2908E0	NOK	AC7126E	NOK	AD0554E	NOK
AC1853	KOHL	AC2964K0	NOK	AC7126E0	NOK	AD0598G0	NOK
AC1880E0	NOK	AC2967A0	NOK	AC7126E0	NOK	AD0638G0	NOK
AC1902E0	NOK	AC2980E0	NOK	AC7174E	NOK	AD0639E	NOK
AC1904A0	NOK	AC2980E0	NOK	AC7175E	NOK	AD0645G0	NOK
AC2005E0	NOK	AC3040A0	NOK	AC7176E	NOK	AD0646E0	NOK
AC2007E0	NOK	AC3040A0	NOK	AC7269E0	NOK	AD0654E0	NOK
AC2016F0	NOK	AC3055A0	NOK	AC7640E0	NOK	AD0657E0	NOK
AC2016F0	NOK	AC3072E0	NOK	AC7669E0	NOK	AD0660F0	NOK
AC2056E0	NOK	AC3072E0	NOK	AC7695E0	NOK	AD0678E	NOK
AC2057A	NOK	AC3139E0	NOK	AC7696E0	NOK	AD0678F0	NOK
AC2057A0	NOK	AC3147E	NOK	AC7717E0	NOK	AD0685F0	NOK
AC2057F0	NOK	AC3154A0	NOK	AC7758E0	NOK	AD0687H0	NOK
AC2065E0	NOK	AC3204G	NOK	AC7868E0	NOK	AD0722F	NOK
AC2069E0	NOK	AC3204G0	NOK	AC7873E0	NOK	AD0723F0	NOK
AC2083J	NOK	AC3222A0	NOK	AC8004E0	NOK	AD0745E1	NOK
AC2084E	NOK	AC3222E8	NOK	AC81	FMC	AD0750F	NOK
AC2084E	NOK	AC3244E0	NOK	AC81	FMC	AD0750F0	NOK
AC2084E0	NOK	AC3260E1	NOK	AC81	LK-BT	AD0751F	NOK
AC2085A0	NOK	AC3280E0	NOK	AC81	LK-BT	AD0751F0	NOK
AC2162E0	NOK	AC3297A0	NOK	AC8202E0	NOK	AD0759E0	NOK
AC2205E	NOK	AC3311A	OLIVE	AC8221E0	NOK	AD0783F0	NOK
AC2205E	NOK	AC3409A0	NOK	AC8226E0	NOK	AD0897E0	NOK
AC2205F	NOK	AC3459A0	NOK	AC8368E	NOK	AD0900E0	NOK
AC2205F	NOK	AC3505E0	NOK	AC8368E0	NOK	AD0913F0	NOK
AC2206E0	NOK	AC3505E0	NOK	AC8419F	NOK	AD0913F1	NOK
AC2218E0	NOK	AC3519A	NOK	AC8419F	NOK	AD0923F0	NOK
AC2222E	NOK	AC3519A0	NOK	AC8419F0	NOK	AD0953F0	NOK
AC2222E0	NOK	AC3527A0	NOK	AC8419F0	NOK	AD0997H1	NOK
AC2230E0	NOK	AC3618E0	NOK	AC8471E0	NOK	AD1012F2	NOK
AC2240A0	NOK	AC3732E	NOK	AC8474E0	NOK	AD1013E0	NOK
AC225374	IH	AC3732E	NOK	AC8474F0	NOK	AD1015F0	NOK
AC2253743	IH	AC3732E1	NOK	AC8491F0	NOK	AD1032F0	NOK
AC2253743	IH	AC3744A	NOK	AC8570W	NOK	AD1033F0	NOK
AC2269E0	NOK	AC3744A0	NOK	AC8570W	NOK	AD1127E0	NOK
AC2272E0	NOK	AC3744A0	NOK	AC8570W0	NOK	AD1127G0	NOK
AC2296E0	NOK	AC3842G0	NOK	AC8570W0	NOK	AD1147F0	NOK
AC2304G0	NOK	AC3844A	NOK	AC8570W0	NOK	AD1172E0	NOK
AC2310E	NOK	AC3844A	NOK	AC9191	COC	AD1181H0	NOK
AC2310E0	NOK	AC3888E	NOK	AC9191	OLIVE	AD1181H0	NOK
AC2318E0	NOK	AC3888E0	NOK	AC9191	WHITE	AD1181J0	NOK
AC2322E0	NOK	AC3932A0	NOK	AC9338	OLIVE	AD1190F0	NOK
AC2343E	NOK	AC396	LK-BT	AC9546	COC	AD1190F0	NOK
AC2343E0	NOK	AC3994E0	NOK	AC9546	OLIVE	AD1194E0	NOK
AC2343E0	NOK	AC4007E0	NOK	ACA4000	LEYLD	AD1198F0	NOK
AC2361E	NOK	AC4063G2	NOK	ACC060A0	NOK	AD1250R	JOHND
AC2361E	NOK	AC4212E0	NOK	ACC178A0	NOK	AD1251R	JOHND
AC2361E0	NOK	AC4282F0	NOK	ACC370A0	NOK	AD1260R	JOHND
AC2369A0	NOK	AC4282I0	NOK	ACC394A1	NOK	AD1268	JOHND
AC2375E0	NOK	AC4346F0	NOK	ACC434B0	NOK	AD1268	JOHND
AC2379E0	NOK	AC4346F0	NOK	ACC464A0	NOK	AD1268	JOHND
AC2379E0	NOK	AC4451F2	NOK	ACC479A0	NOK	AD1306H1	NOK
AC2388A0	NOK	AC4451F2	NOK	ACC522A0	NOK	AD1307E0	NOK
AC2390E0	NOK	AC4484E	NOK	ACC522A0	NOK	AD1314F0	NOK
AC2493E0	NOK	AC4484E0	NOK	ACC542A0	NOK	AD1317F0	NOK
AC2576F0	NOK	AC4542E0	NOK	ACC628A1	NOK	AD1351E1	NOK
AC2643E0	NOK	AC4568E	NOK	ACC635A0	NOK	AD1358E0	NOK
AC2651F0	NOK	AC4568E0	NOK	ACC639A0	NOK	AD1377	JOHND
AC2668A0	NOK	AC4581E0	NOK	ACC640A0	NOK	AD1403E0	NOK
AC2774F0	NOK	AC4624E1	NOK	ACC646A0	NOK	AD1407E0	NOK
AC2774F0	NOK	AC4672E0	NOK	ACC656A0	NOK	AD1410F1	NOK
AC2775F	NOK	AC4713E0	NOK	ACC752A0	NOK	AD1410G0	NOK
AC2775F0	NOK	AC484	LK-BT	ACC7538	FRUEH	AD1410H0	NOK
AC2780E0	NOK	AC4898E0	NOK	ACC956A0	NOK	AD1412F0	NOK
AC2780E0	NOK	AC4975E0	NOK	ACF4004	LEYLD	AD1412F0	NOK
AC2791A0	NOK	AC5204E1	NOK	AD0227E0	NOK	AD1430E	NOK
AC2847E0	NOK	AC6763E0	NOK	AD0227E0	NOK	AD1430F	NOK
AC2854E0	NOK	AC6897E0	NOK	AD0325E	NOK	AD1430F1	NOK

! Industrial Size/Type * Minor Width Difference = Call 1-800-480-1212 for price and delivery.

Zero Duplication or Recommended		Zero Duplication or Recommended		Zero Duplication or Recommended		Zero Duplication or Recommended	
Mfr. No.	Name	Industrial	Mfr. No.	Name	Industrial	Mfr. No.	Name
AD1431F	NOK	471649!	AD2375F0	NOK	710147	AD3193F0	NOK
AD1446E0	NOK	471760	AD2388E0	NOK	224045	AD3204E0	NOK
AD1469E0	NOK	26X40X7!	AD2390I0	NOK	224045	AD3222H1	NOK
AD1598E0	NOK	471652	AD2398E	NOK	1216	AD3222I0	NOK
AD1598F0	NOK	471652=	AD2398E	NOK	1216N	AD3224E0	NOK
AD1598F1	NOK	471652	AD2398G0	NOK	1216	AD3253E0	NOK
AD1598F2	NOK	471652	AD2398G0	NOK	1216N	AD3259E0	NOK
AD1617E0	NOK	471763	AD2402E	NOK	474161	AD3297F0	NOK
AD1617F0	NOK	471763	AD2402E0	NOK	40X65X10	AD3338E0	NOK
AD1623E	NOK	1989	AD2403I0	NOK	40X65X10	AD3338F	NOK
AD1623E0	NOK	1989	AD2405E0	NOK	40X65X10	AD3338F0	NOK
AD1636E	NOK	474260!	AD2459E	NOK	1192	AD3347E	NATSU
AD1666E0	NOK	1970	AD2459E0	NOK	1192	AD3347E0	NOK
AD1671G0	NOK	223012	AD2480E	NOK	42X55X8!	AD3388	NOK
AD1671G0	NOK	30X44X7!	AD2480E0	NOK	42X55X8!	AD3388E	NOK
AD1679G0	NOK	223014	AD2482E	NOK	224200	AD3388E0	NOK
AD1699E0	NOK	30X48X8	AD2493E0	NOK	42X60X7!	AD3400L0	NOK
AD1705E0	NOK	30X50X7	AD2507H0	NOK	42X65X10!	AD3400L0	NOK
AD1709E0	NOK	30X50X7	AD2507I0	NOK	224255	AD3409J0	NOK
AD1779E0	NOK	471765!	AD2527E0	NOK	473317	AD3409J0	NOK
AD1820E0	NOK	322353	AD2528E0	NOK	470460	AD3440E0	NOK
AD1820E0	NOK	474278!	AD2565E	NOK	710283	AD3459E0	NOK
AD1826F0	NOK	471413!	AD2599F0	NOK	472179	AD3459H0	NOK
AD1828E0	NOK	471413!	AD2604E0	NOK	471984	AD3478E	NATSU
AD1832E0	NOK	471737	AD2643G0	NOK	224520	AD3478E0	NOK
AD1836E0	NOK	470706=	AD2651G0	NOK	1185	AD3480E0	NOK
AD1838E0	NOK	471766!	AD2655F	NOK	1992	AD3505H0	NOK
AD1841F0	NOK	471766!	AD2655F0	NOK	1992	AD3519K	NOK
AD1841F0	NOK	471766*	AD2655F0	NOK	45X65X8!	AD3519K0	NOK
AD1894E0	NOK	223240	AD2666F0	NOK	45X68X7!	AD3527H0	NOK
AD1904F0	NOK	1167	AD2668G0	NOK	224560	AD3532E0	NOK
AD1929F0	NOK	710070	AD2685E0	NOK	224570	AD3553E0	NOK
AD2002E	NOK	1097N	AD2752E0	NOK	472439	AD3573E	NATSU
AD2002E0	NOK	1097N	AD2763Y	NOK	1959	AD3573E0	NOK
AD2005G	NOK	472258!	AD2763Y0	NOK	1959	AD3574F0	NOK
AD2005G0	NOK	472258	AD2780G0	NOK	224820	AD3589E	NOK
AD2005G1	NOK	472258!	AD2791E0	NOK	1994	AD3589E0	NOK
AD2005G2	NOK	472258!	AD2791J0	NOK	712010	AD3590E0	NOK
AD2007F	NOK	470774!	AD2838F0	NOK	225010	AD3618I0	NOK
AD2007F0	NOK	470774!	AD2838F1	NOK	225010	AD3664E	NATSU
AD2066E0	NOK	223535	AD2847F0	NOK	50X68X8!	AD3664E0	NOK
AD2066E0	NOK	35X52X8!	AD2862E0	NOK	225035	AD3664E0	NOK
AD2077E0	NOK	35X54X8!	AD2864G0	NOK	225035	AD3673E	NOK
AD2081G	NOK	35X55X8!	AD2867F0	NOK	225035	AD3673E	NOK
AD2081G0	NOK	35X55X11!	AD2888F0	NOK	50X80X8	AD3673E0	NOK
AD2085G0	NOK	223542	AD2913E0	NOK	471424!	AD3673E0	NOK
AD2085N	NOK	35X55X8!	AD2913F	NOK	471424!	AD3675E	NOK
AD2085N0	NOK	35X55X11!	AD2919E	NOK	472492!	AD3675E0	NOK
AD2107E0	NOK	35X60X10!	AD2919F0	NOK	472492!	AD3704E	NOK
AD2107E0	NOK	710201	AD2919G0	NOK	472492=	AD3704E0	NOK
AD2132F	NOK	473258	AD2920F0	NOK	472492!	AD3705E	NATSU
AD2132F0	NOK	35X62X10	AD2920F1	NOK	472492!	AD3705E0	NOK
AD2230I0	NOK	223832	AD2931F0	NOK	472397!	AD3705E0	NOK
AD2230W0	NOK	38X55X7!	AD2942E0	NOK	410102	AD3706F	NOK
AD2240I0	NOK	1175	AD2955Y	NOK	1955	AD3706F0	NOK
AD2240K0	NOK	38X58X8!	AD2955Y	NOK	52X65X9!	AD3708E	NATSU
AD2261G	NOK	1177	AD2955Y0	NOK	1955	AD3708E0	NOK
AD2261G0	NOK	1177	AD2955Y0	NOK	52X65X9!	AD3744J0	NOK
AD2261H	NOK	1177	AD2967E0	NOK	52X75X12	AD3795E	NOK
AD2267E0	NOK	474276!	AD2994E0	NOK	470898	AD3796E	NATSU
AD2322E0	NOK	473441	AD3000E0	NOK	472015!	AD3796E0	NOK
AD2323E0	NOK	473442!	AD3005F0	NOK	472409!	AD3809E	NATSU
AD2343E0	NOK	224015	AD3005F1	NOK	472409!	AD3809E0	NOK
AD2353Y	NOK	1213N	AD3040F0	NOK	225530	AD3809E0	NOK
AD2353Y0	NOK	1213N	AD3055H0	NOK	55X78X10	AD3842I0	NOK
AD2353Y0	NOK	40X54X6!	AD3135E	NATSU	412920!	AD3891E	NATSU
AD2359G	NOK	224020	AD3135E0	NOK	412920!	AD3891E	NATSU
AD2359G0	NOK	40X55X8!	AD3135E1	NOK	412920!	AD3891E0	NOK
AD2359G0	NOK	224020	AD3148E0	NOK	225875	AD3932J0	NOK
AD2369F0	NOK	40X58X10!	AD3154F0	NOK	225880	AD3963E	NATSU
AD2375F	NOK	710147	AD3154F0	NOK	58X80X8	AD3963E0	NOK
AD2375F0	NOK	40X60X10!	AD3167E0	NOK	472150=	AD3994G0	NOK
AD23994J2	NOK	95X120X12!	AD3204E0	NOK	60X78X8	AD4017E0	NOK
AD4017E0	NOK	415379	AD3222H1	NOK	60X82X12!	AD4017F	NATSU
AD4017F	NATSU	415379	AD3222I0	NOK	2001	AD4019E0	NOK
AD4019E0	NOK	415035	AD3224E0	NOK	2001	AD4019E0	NOK
AD4020E	NATSU	416339	AD3253E0	NOK	470565!	AD4020E	NATSU
AD4020E0	NOK	416339	AD3259E0	NOK	413247!	AD4020E0	NOK
AD4037E	NATSU	416345!	AD3297F0	NOK	226285	AD4037E	NATSU
AD4037E0	NOK	416345!	AD3338E0	NOK	471271!	AD4037E0	NOK
AD4063A0	NOK	231003	AD3338F	NOK	471271!	AD4063A0	NOK
AD4095E	NOK	417506	AD3338F0	NOK	471271!	AD4095E	NOK
AD4095E0	NOK	417506	AD3347E	NATSU	415449!	AD4095E0	NOK
AD4109E	NATSU	415035*	AD3347E0	NOK	415449!	AD4109E	NATSU
AD4109E0	NOK	415035!	AD3388	NOK	65X82X8	AD4109E0	NOK
AD4116E	NATSU	417356!	AD3388E	NOK	710094	AD4116E	NATSU
AD4116E0	NOK	417506	AD3388E0	NOK	710094	AD4116E0	NOK
AD4180E	NATSU	415196!	AD3400L0	NOK	65X88X10	AD4180E	NATSU
AD4180E0	NOK	415196=	AD3400L0	NOK	65X88X8!	AD4180E0	NOK
AD4212A0	NOK	231108	AD3409J0	NOK	226530	AD4212A0	NOK
AD4255E	NATSU	416888!	AD3409J0	NOK	65X90X10!	AD4255E	NATSU
AD4255F1	NOK	416888!	AD3440E0	NOK	415458	AD4255F1	NOK
AD4262E	NATSU	416892!	AD3459E0	NOK	68X90X10!	AD4262E	NATSU
AD4262E0	NOK	416892!	AD3459H0	NOK	226850	AD4262E0	NOK
AD4329E0	NOK	120X140X13	AD3478E	NATSU	416664!	AD4329E0	NOK
AD4346A0	NOK	231206	AD3478E0	NOK	416664!	AD4346A0	NOK
AD4362E	NATSU	415138!	AD3480E0	NOK	415984!	AD4362E	NATSU
AD4362E0	NOK	415138!	AD3505H0	NOK	227020	AD4362E0	NOK
AD4370E	NOK	415066	AD3519K	NOK	70X92X12	AD4370E	NOK
AD4370E0	NOK	415066	AD3519K0	NOK	227045	AD4370E0	NOK
AD4399A0	NOK	125X155X15	AD3527H0	NOK	70X95X13	AD4399A0	NOK
AD4443G	NOK	130X150X15	AD3532E0	NOK	227060	AD4443G	NOK
AD4443G0	NOK	130X150X10	AD3553E0	NOK	417485	AD4443G0	NOK
AD4451A0	NOK	231302	AD3573E	NATSU	416921!	AD4451A0	NOK
AD4524E	NOK	416107!	AD3573E0	NOK	416921!	AD4524E	NOK
AD4524E1	NOK	416107!	AD3574F0	NOK	416921!	AD4524E1	NOK
AD4542A0	NOK	140X170X15	AD3589E	NOK	416654	AD4542A0	NOK
AD4542A0	NOK	231404	AD3589E0	NOK	416654	AD4542A0	NOK
AD4581A0	NOK	145X175X15	AD3590E0	NOK	416654!	AD4581A0	NOK
AD4601E	NOK	416666	AD3618I0	NOK	227550	AD4601E	NOK
AD4601E0	NOK	416666	AD3664E	NATSU	415995!	AD4601E0	NOK
AD4624A0	NOK	231502	AD3664E0	NOK	415995*	AD4624A0	NOK
AD4654E	NOK	415072	AD3664E0	NOK	415995!	AD4654E	NOK
AD4654E0	NOK	415072	AD3673E	NOK	417487!	AD4654E0	NOK
AD4713A0	NOK	160X190X15	AD3673E	NOK	417487*	AD4713A0	NOK
AD4795A0	NOK	170X200X15	AD3673E0	NOK	417487*	AD4795A0	NOK
AD4795A0	NOK	231705	AD3675E	NOK	417488!	AD4795A0	NOK
AD4898A0	NOK	231805	AD3675E0	NOK	417488!	AD4898A0	NOK
AD4898A3	NOK	180X210X15	AD3704E	NOK	416404!	AD4898A3	NOK
AD5283A0	NOK	230X260X15	AD3704E0	NOK	416404!	AD5283A0	NOK
AD5341E	NOK	240X270X16!	AD3705E	NATSU	417621!	AD5341E	NOK
AD5341E0	NOK	240X270X15!	AD3705E0	NOK	417621!	AD5341E0	NOK
AD5843E0	NOK	360X400X20	AD3705E0	NOK	417621*	AD5843E0	NOK
AD6299E0	NOK	471733	AD3706F	NOK	417621	AD6299E0	NOK
AD6787E0	NOK	473197!	AD3706F0	NOK	417621	AD6787E0	NOK
AD6787E0	NOK	473197*	AD3708E	NATSU	416288!	AD6787E0	NOK
AD6789E	NOK	473235!	AD3708E0	NOK	416288!	AD6789E	NOK
AD6789E0	NOK	473235!	AD3744J0	NOK	228020	AD6789E0	NOK
AD6858E0	NOK	5206	AD3795E	NOK	476470	AD6858E0	NOK
AD6890E	NOK	27X47X8	AD3796E	NATSU	476470	AD6890E	NOK
AD6890E0	NOK	27X47X10	AD3796E0	NOK	476470	AD6890E0	NOK
AD6922E	NOK	471733	AD3809E	NATSU	418028	AD6922E	NOK
AD6942E0	NOK	471231!	AD3809E0	NOK	418028*		

Zero Duplication or Recommended		Zero Duplication or Recommended		Zero Duplication or Recommended		Zero Duplication or Recommended	
Mfr. No.	Name	Mfr. No.	Name	Mfr. No.	Name	Mfr. No.	Name
AD7079R	NOK	AD7768E0	NOK	AD7827E0	NOK	AD7859E0	NOK
AD7092E0	NOK	AD7769E0	NOK	AD7828E	NATSU	AD7860E0	NOK
AD7095E0	NOK	AD7770E0	NOK	AD7828E0	NOK	AD7860E1	NOK
AD7095E1	NOK	AD7771E	NOK	AD7829E	NATSU	AD7877E0	NOK
AD7095F0	NOK	AD7772E0	NOK	AD7829E0	NOK	AD7898E0	NOK
AD7096E0	NOK	AD7773E0	NOK	AD7830E	NATSU	AD7915E0	NOK
AD7110E0	NOK	AD7774E0	NOK	AD7830E0	NOK	AD8008E0	NOK
AD7111E1	NOK	AD7775E0	NOK	AD7831E	NATSU	AD8011E0	NOK
AD7127E0	NOK	AD7776E0	NOK	AD7831E0	NOK	AD8014E0	NOK
AD7127E1	NOK	AD7777E0	NOK	AD7832E	NATSU	AD8018E0	NOK
AD7149E0	NOK	AD7778E0	NOK	AD7832E0	NOK	AD8035E0	NOK
AD7151E0	NOK	AD7779E0	NOK	AD7833E	NATSU	AD8058E0	NOK
AD7153F0	NOK	AD7780E0	NOK	AD7833E0	NOK	AD8062E0	NOK
AD7175E0	NOK	AD7781E0	NOK	AD7834E	NATSU	AD8062E0	NOK
AD7268E	NOK	AD7782E0	NOK	AD7834E0	NOK	AD8206E	NOK
AD7268E	NOK	AD7782E1	NOK	AD7835E0	NOK	AD8206E0	NOK
AD7268E0	NOK	AD7783E0	NOK	AD7836E	NATSU	AD8209E	NOK
AD7268E0	NOK	AD7784E0	NOK	AD7836E0	NOK	AD8209E0	NOK
AD7282E	NATSU	AD7785E0	NOK	AD7837E	NATSU	AD8209F	NOK
AD7282E	NATSU	AD7786E0	NOK	AD7837E0	NOK	AD8213E0	NOK
AD7282E0	NOK	AD7787E	NOK	AD7838E	NATSU	AD8217E0	NOK
AD7408E0	NOK	AD7787E0	NOK	AD7838E0	NOK	AD8236E0	NOK
AD7410E0	NOK	AD7788E0	NOK	AD7839E	NATSU	AD8360E0	NOK
AD7410E1	NOK	AD7789E0	NOK	AD7839E0	NOK	AD8362E0	NOK
AD7553E0	NOK	AD7790E0	NOK	AD7839E0	NOK	AD8377E0	NOK
AD7553E0	NOK	AD7791E0	NOK	AD7839E1	NOK	AD8404E0	NOK
AD7591E0	NOK	AD7792E0	NOK	AD7839E1	NOK	AD8419E0	NOK
AD7613E0	NOK	AD7793E0	NOK	AD7840E	NATSU	AD8442E0	NOK
AD7625E0	NOK	AD7794E0	NOK	AD7840E0	NOK	AD8465E0	NOK
AD7643E0	NOK	AD7795E0	NOK	AD7841E	NATSU	AD8466E0	NOK
AD7646E0	NOK	AD7796E0	NOK	AD7841E0	NOK	AD8473E0	NOK
AD7646E1	NOK	AD7797E0	NOK	AD7842E	NATSU	AD8473E0	NOK
AD7647E0	NOK	AD7798E0	NOK	AD7842E0	NOK	AD8475E0	NOK
AD7647E0	NOK	AD7799E0	NOK	AD7843E	NATSU	AD8475E0	NOK
AD7651E0	NOK	AD7800E0	NOK	AD7843E0	NOK	AD8480E	NOK
AD7653E0	NOK	AD7801E0	NOK	AD7844E	NATSU	AD8480E	NOK
AD7654E0	NOK	AD7802E0	NOK	AD7844E	NATSU	AD8480E0	NOK
AD7656E0	NOK	AD7803E0	NOK	AD7844E0	NOK	AD8527E0	NOK
AD7657E1	NOK	AD7804E0	NOK	AD7845E	NATSU	AD8537E0	NOK
AD7658E0	NOK	AD7805E0	NOK	AD7845E0	NOK	AD8541E0	NOK
AD7662E0	NOK	AD7806E0	NOK	AD7845E0	NOK	AD8555E0	NOK
AD7665E0	NOK	AD7807E0	NOK	AD7846E	NATSU	AD8582E	NOK
AD7666E0	NOK	AD7808E0	NOK	AD7846E0	NOK	AD8582E0	NOK
AD7667E0	NOK	AD7809E0	NOK	AD7847E	NATSU	AD8582E0	NOK
AD7668E0	NOK	AD7810E0	NOK	AD7847E0	NOK	AD8717E0	NOK
AD7670E0	NOK	AD7810F0	NOK	AD7848E	NATSU	AD8734E0	NOK
AD7671E0	NOK	AD7811E0	NOK	AD7848E0	NOK	AD8754E0	NOK
AD7678E0	NOK	AD7812E	NATSU	AD7849E	NATSU	AD8948E0	NOK
AD7679E0	NOK	AD7812E0	NOK	AD7849E0	NOK	AD8948F	NOK
AD7680E0	NOK	AD7813E0	NOK	AD7850E	NATSU	AD8948F0	NOK
AD7683E0	NOK	AD7814E0	NOK	AD7850E0	NOK	AD8965E0	NOK
AD7699E	NOK	AD7815E0	NOK	AD7851E	NATSU	AD9109E	NOK
AD7699E0	NOK	AD7816E0	NOK	AD7851E0	NOK	AD9109E0	NOK
AD7700E	NOK	AD7817E0	NOK	AD7852E	NATSU	ADD012B0	NOK
AD7705E0	NOK	AD7818E	NATSU	AD7852E0	NOK	ADD012B0	NOK
AD7706E0	NOK	AD7818E0	NOK	AD7853E	NATSU	ADD042A0	NOK
AD7707E0	NOK	AD7819E	NATSU	AD7853E0	NOK	ADD085A0	NOK
AD7708E0	NOK	AD7819E0	NOK	AD7854E	NATSU	ADD135A0	NOK
AD7709E0	NOK	AD7820E	NATSU	AD7854E	NATSU	ADD135A0	NOK
AD7710E0	NOK	AD7820E0	NOK	AD7854E0	NOK	ADD714A0	NOK
AD7710E0	NOK	AD7820E1	NOK	AD7855E	NATSU	AE-1677H	NOK
AD7758E0	NOK	AD7821E0	NOK	AD7855E	NATSU	AE-1677H0	NOK
AD7759E0	NOK	AD7822E	NATSU	AD7855E0	NOK	AE0134E0	NOK
AD7760E0	NOK	AD7822E0	NOK	AD7855E0	NOK	AE0145F0	NOK
AD7761E0	NOK	AD7823E	NATSU	AD7856E	NATSU	AE0145F0	NOK
AD7762E0	NOK	AD7823E	NATSU	AD7856E0	NOK	AE0205A0	NOK
AD7763E0	NOK	AD7823E0	NOK	AD7857E	NATSU	AE0226E0	NOK
AD7764E0	NOK	AD7824E0	NOK	AD7857E0	NOK	AE0279A0	NOK
AD7765E0	NOK	AD7825E	NATSU	AD7858E	NATSU	AE0318E0	NOK
AD7766E0	NOK	AD7825E0	NOK	AD7858E0	NOK	AE0325H0	NOK
AD7767E0	NOK	AD7826E	NATSU	AD7859E	NATSU	AE0328F0	NOK
AD7767E1	NOK	AD7826E0	NOK	AD7859E	NATSU	AE0371E0	NOK

! Industrial Size/Type * Minor Width Difference = Call 1-800-480-1212 for price and delivery.

Zero Duplication or Recommended		Zero Duplication or Recommended		Zero Duplication or Recommended		Zero Duplication or Recommended		
Mfr. No.	Name	Mfr. No.	Name	Mfr. No.	Name	Mfr. No.	Name	
AE0382A0	NOK	12X25X7	AE1179E0	NOK	353132	AE2081E0	NOK	35X55X8!
AE0387E0	NOK	12X28X7	AE1232E0	NOK	471571	AE2081E0	NOK	223542
AE0442G	NOK	342613!	AE1260A0	NOK	222430	AE2081I	NOK	223540
AE0442G0	NOK	342613!	AE1260A1	NOK	24X40X7!	AE2081I0	NOK	223540
AE0451E	NOK	471442!	AE1292G0	NOK	222510	AE2085A	NOK	35X55X8!
AE0451F0	NOK	471442!	AE1306E0	NOK	222535	AE2085A0	NOK	35X55X11!
AE0452E	NOK	471442!	AE1306K0	NOK	222535	AE2094E0	NOK	35X56X10!
AE0514G0	NOK	14X24X7	AE1307E1	NOK	222535	AE2108E0	NOK	35X60X10!
AE0519J	NOK	710116	AE1314A0	NOK	222541	AE2218E0	NOK	38X50X7!
AE0519J0	NOK	14X25X5	AE1314A0	NOK	25X40X7!	AE2231E	NOK	223831
AE0523E1	NOK	14X26X7	AE1315F0	NOK	222541	AE2231E0	NOK	223831
AE0526A0	NOK	14X30X7	AE1322F0	NOK	25X42X8!	AE2231E0	NOK	38X55X7!
AE0582E	NOK	2027	AE1335E0	NOK	25X45X8	AE2240-A0	NOK	1175
AE0582E0	NOK	15X24X7	AE1337F0	NOK	25X45X8	AE2240-A0	NOK	38X58X8!
AE0584F0	NOK	15X24X7	AE1338A0	NOK	25X45X8	AE2240-A0	NOK	710319
AE0586G	NOK	15X25X6	AE1351E0	NOK	222560	AE2240J0	NOK	223842
AE0586G0	NOK	15X25X5	AE1351E0	NOK	25X47X7	AE2280E	NOK	470625!
AE0598A0	NOK	221540	AE1377F0	NOK	25X52X10	AE2343E0	NOK	224015
AE0604E0	NOK	15X32X8	AE1377H0	NOK	25X52X7!	AE2343E0	NOK	40X52X7!
AE0654E0	NOK	471264!	AE1442E0	NOK	222560	AE2359H	NOK	224020
AE0658E0	NOK	450557	AE1450E0	NOK	472138	AE2359H	NOK	40X55X8!
AE0658E0	NOK	471255!	AE1452E0	NOK	471516!	AE2359H0	NOK	224020
AE0678F1	NOK	16X26X7	AE1474A0	NOK	26X42X10	AE2365E0	NOK	224026
AE0685G0	NOK	221610	AE1512F	NOK	1990	AE2365G	NOK	224026
AE0687A0	NOK	221620	AE1512F0	NOK	27X43X8!	AE2369A0	NOK	40X58X10!
AE0742L0	NOK	17X30X7	AE1518A0	NOK	27X47X8	AE2375E0	NOK	40X60X10!
AE0743E0	NOK	17X30X7	AE15290	WILYS	471538!	AE2386H	NOK	224045
AE0745E1	NOK	221720	AE1558P	NOK	28X47X7!	AE2386H	NOK	40X62X8!
AE0751H0	NOK	17X30X7	AE1558P0	NOK	28X47X7!	AE2386H1	NOK	224045
AE0751H0	NOK	221730	AE1599E	NOK	471652	AE2386H1	NOK	40X62X12!
AE0760H0	NOK	17X35X7	AE1666F0	NOK	1970	AE2388A0	NOK	224045
AE0771F1	NOK	17X40X7	AE1679A0	NOK	223014	AE2390K0	NOK	224045
AE0815E	NOK	18X30X7!	AE1679A0	NOK	30X45X5!	AE2403I	NOK	710269
AE0815E	NOK	221820	AE1679H0	NOK	1981	AE2405E1	NOK	40X65X10
AE0815E0	NOK	18X30X7!	AE1679H0	NOK	30X45X8!	AE2419E	NOK	350572
AE0815E0	NOK	221820	AE1679L0	NOK	1981	AE2420E0	NOK	40X72X7
AE0817E0	NOK	18X30X7!	AE1692E1	NOK	223020	AE2420F	NOK	710523
AE0817E0	NOK	221820	AE1692E1	NOK	30X47X7!	AE2426G	NOK	710113
AE0823E0	NOK	18X32X8!	AE1705G0	NOK	30X50X7	AE24599	JOHND	470380!
AE0829A0	NOK	18X35X7	AE1709A0	NOK	30X50X7	AE2483E0	NOK	224210
AE0829E0	NOK	18X35X7	AE1723F0	NOK	223035	AE2492E	NOK	1953
AE0870E0	NOK	19X32X8!	AE1736E0	NOK	30X55X10	AE2492E0	NOK	1953
AE0870E0	NOK	221922	AE17384	WILYS	330385	AE2492E0	NOK	42X60X7!
AE0875A	NOK	19X35X10!	AE1820E0	NOK	322353	AE2493E0	NOK	1953
AE0875A0	NOK	19X35X10!	AE1820E0	NOK	474278!	AE2493J	NOK	1953
AE0880E0	NOK	19X38X7	AE1820F	NOK	322353	AE2493J	NOK	42X60X7!
AE0900E0	NOK	1049	AE1820F	NOK	474278	AE2507A1	NOK	42X65X10!
AE0913E0	NOK	470954!	AE1884E0	NOK	32X46X6!	AE2520F	NOK	710195
AE0915F0	NOK	470954!	AE1894G0	NOK	223240	AE2520F0	NOK	710195
AE0917E0	NOK	221820	AE1894G0	NOK	32X48X8!	AE2589E0	NOK	472164!
AE0929A0	NOK	18X35X7	AE1902E0	NOK	223255	AE2596E0	NOK	323119
AE0948E0	NOK	472237 =	AE1904A0	NOK	1167	AE2643E0	NOK	224520
AE0955E0	NOK	222075	AE1904A0	NOK	32X52X7!	AE2643E1	NOK	224520
AE0984H0	NOK	20X30X7	AE1952E	NOK	1953	AE2644W0	NOK	45X60X10!
AE0997E0	NOK	222020	AE1952E0	NOK	1953	AE2650E0	NOK	1012
AE1012G0	NOK	222030	AE1952E0	NOK	42X60X7!	AE2650E0	NOK	1012N
AE1013A0	NOK	20X35X7!	AE2005E0	NOK	472258!	AE2650E0	NOK	45X62X8!
AE1013A0	NOK	222030	AE2011E0	NOK	471192*	AE2651A0	NOK	1185
AE1017F0	NOK	20X36X7	AE2022E	NOK	450456!	AE2651A0	NOK	45X62X8!
AE10212	WILYS	471466!	AE2022E0	NOK	323125	AE2653E	NOK	1012
AE1029E0	NOK	222050	AE2022E0	NOK	450456!	AE2653E	NOK	1012N
AE1032F0	NOK	20X40X7!	AE2041E	NOK	223510	AE2653E0	NOK	1012
AE1032G0	NOK	20X40X10	AE2048F3	NOK	35X47X7!	AE2653E0	NOK	1012N
AE1033A0	NOK	20X40X10	AE2048M	NOK	1108	AE2653E0	NOK	45X62X8!
AE1035E0	NOK	20X42X10	AE2057A0	NOK	223520!	AE2658W0	NOK	45X65X8!
AE1048P0	NOK	20X47X7	AE2060G0	NOK	35X50X8!	AE2666E0	NOK	224560
AE1139E0	NOK	22X40X7	AE2067E1	NOK	35X52X8!	AE2668A0	NOK	224560
AE1140E	NOK	22X40X7	AE2068E0	NOK	223535	AE2668R	NOK	45X68X7!
AE1140E0	NOK	22X40X7	AE2071F0	NOK	223535	AE2668R0	NOK	224560
AE1145E0	NOK	22X42X10	AE2072E0	NOK	223535	AE2668R0	NOK	45X68X7!
AE1148A0	NOK	22X42X10	AE2072F0	NOK	35X52X8!	AE2668Y	NOK	224560
AE1148E0	NOK	22X42X10	AE2081	NOK	35X55X11	AE2668Y	NOK	45X68X7!

! Industrial Size/Type * Minor Width Difference = Call 1-800-480-1212 for price and delivery.

ALPHABETICAL

Zero Duplication or Recommended Industrial		Zero Duplication or Recommended Industrial		Zero Duplication or Recommended Industrial		Zero Duplication or Recommended Industrial		
Mfr. No.	Name	Mfr. No.	Name	Mfr. No.	Name	Mfr. No.	Name	
AE3733G0	NOK	80X100X10!	AE7912E0	NOK	222560	AF1035E	NOK	20X42X10
AE3744A0	NOK	228020	AE7925E0	NOK	473196=	AF1035E0	NOK	20X42X10!
AE37476	JOHND	415449!	AE7939E0	NOK	472311!	AF1035E0	NOK	20X42X7
AE37477	JOHND	471831!	AE8004E0	NOK	351487	AF1035E0	NOK	222060
AE3786E	NOK	1945	AE8013E0	NOK	471076	AF1075E0	NOK	471645*
AE3786E	NOK	228480	AE8073E0	NOK	415082	AF1124E0	NOK	22X35X7
AE3786E	NOK	82X105X13!	AE8326E	NOK	221540	AF1155R	JOHND	472016
AE3786E0	NOK	19045	AE8364E0	NOK	471570!	AF1156R	JOHND	415458!
AE3786E0	NOK	228480	AE8379E	NOK	224252	AF1177E0	NOK	7014S
AE3842A0	NOK	228520	AE8379E0	NOK	224252	AF1178E	NOK	7014S
AE3932A0	NOK	90X115X12	AE8379E0	NOK	42X62X8!	AF1178E0	NOK	7014S
AE3994A0	NOK	229510	AE8427E0	NOK	471766!	AF1181E	NOK	471267
AE4007E0	NOK	229520	AE8441E0	NOK	323133	AF1181E0	NOK	471267
AE4007E0	NOK	95X130X12!	AE8444E0	NOK	17X27X7	AF1190A	FORD	6815
AE4054P0	NOK	100X120X12*	AE8472E0	NOK	30X62X7	AF1190A1	FORD	6815
AE4054P0	NOK	231004	AE8548E0	NOK	323126	AF1190A2	FORD	6815
AE4063A0	NOK	100X125X12!*	AE8548E0	NOK	474278!	AF1399E0	NOK	240731
AE4063F0	NOK	231003	AE8558E0	NOK	472238*	AF1402F0	NOK	441130N=
AE4212H1	NOK	231108	AE8798G	NOK	42X62X8!	AF1473E	NOK	26X42X10
AE4221E0	NOK	110X145X12	AE8903E0	NOK	7214	AF1576R	JOHND	330385!
AE4341H0	NOK	231206	AE8907E	NOK	223240	AF1588F0	NOK	340835
AE4346H0	NOK	120X150X12	AEA9239A	FAIRB	471442!	AF1591E0	NOK	312140
AE4346H0	NOK	231206	AEC621	LEYLD	471195!	AF1609E0	NOK	203020
AE4355E0	NOK	120X155X15	AEEO52A0	NOK	40X55X8	AF1616E0	NOK	203003
AE4451F0	NOK	130X160X12	AEEO59A0	NOK	25X35X7!	AF1663E0	NOK	30X42X7!
AE4451F0	NOK	231302	AEEO60A0	NOK	20X35X7!	AF1703E	NOK	30X50X7
AE4542E0	NOK	231404	AEEO128A0	NOK	35X47X7!	AF1778E	NOK	471765
AE4581E0	NOK	145X175X15	AEEO159A0	NOK	25X40X7!	AF1778E0	NOK	471765
AE4624F0	NOK	150X180X15	AEEO212A0	NOK	42X60X7!	AF1789E0	NOK	441319
AE4624F1	NOK	150X180X12	AEEO279A0	NOK	85X110X12!	AF1790E0	NOK	441319
AE4624F1	NOK	231502	AEEO295A	NOK	40X62X8!	AF1815G0	NOK	343186
AE4898E0	NOK	231805	AEEO295A0	NOK	40X62X12!	AF1826E0	NOK	471413
AE6873E0	NOK	474272!	AEEO338A0	NOK	25X37X7!	AF1836F0	NOK	203029
AE6873E0	NOK	474272*	AEEO376A0	NOK	14X24X7	AF1837E0	NOK	204029
AE6901E	NOK	2007N	AEEO394A0	NOK	35X47X7!	AF1837E0	NOK	204507!
AE6922E0	NOK	471733	AEEO456B0	NOK	30X42X7!	AF1925	JOHND	471224!
AE7103E	NOK	204020	AEEO477A0	NOK	65X85X10	AF1934R	JOHND	323138!
AE7103E	NOK	204505*	AEEO479A0	NOK	70X90X10!	AF2018F0	NOK	42763
AE7126E0	NOK	473197*	AEEO488A0	NOK	105X125X13	AF2033E	NOK	35X45X7
AE7126E0	NOK	473197!	AEEO514A0	NOK	105X25X6	AF2135R	JOHND	471442!
AE7139E0	NOK	415001!	AEEO523A0	NOK	14X28X6	AF2221F	NOK	38X52X8.5!
AE7145E1	NOK	473259*	AEEO615A0	NOK	35X62X7!	AF2221W	NOK	1196
AE7145E1	NOK	473259!	AEEO699A0	NOK	60X80X8!	AF2221W0	NOK	1196
AE7150E0	NOK	473427	AEEO752A0	NOK	85X130X13	AF2264F0	NOK	253099
AE7175E0	NOK	471192	AEEO920A0	NOK	50X90X10	AF2272E0	NOK	480630!
AE7333G0	NOK	50X65X8!	AEEO984A0	NOK	50X65X8!	AF2284E	NOK	203013
AE7362E	NOK	223553	AEK3003	DENCO	473224!	AF2284E0	NOK	203013
AE7362E0	NOK	35X62X7!	AEEO9524	MASSE	472164!	AF2284F0	NOK	204013
AE7368E	NOK	481163	AERO1889	AVCO	471549!	AF2285E	NOK	204013
AE7368E0	NOK	481163	AERO1956	AVCO	471554!	AF2285F0	NOK	203013
AE7431E0	NOK	416154!	AERO1959	AVCO	450342	AF2285G0	NOK	204013
AE7617E0	NOK	471529	AERO1959B	AVCO	450342	AF2340F0	NOK	40X52X7!
AE7642E0	NOK	471612	AERO583D	AVCO	455022	AF2367E0	NOK	40X58X10!
AE7644E0	NOK	471549!	AERO6100	AVCO	450173	AF2399E	NOK	224100
AE7644E0	NOK	472467	AEX38757	GMC	471231!	AF2399E	NOK	40X65X10!
AE7646E0	NOK	472649	AF0103E0	NOK	340826	AF2458F0	NOK	204017
AE7655E0	NOK	75X115X10*	AF0222E0	NOK	311189	AF2480E0	NOK	42X55X8!
AE7655E0	NOK	75X115X12	AF0226E0	NOK	350156*	AF2533E0	NOK	40154S
AE7660E0	NOK	226550	AF0369E	NOK	12X22X7!	AF2535E0	NOK	473235
AE7660E0	NOK	65X100X10	AF0369E0	NOK	12X22X7!	AF2548E0	NOK	442251
AE7663E0	NOK	476513=	AF0433E0	NOK	342805	AF2548E0	NOK	473336!
AE7676E0	NOK	473490	AF0437G	NOK	43095S!	AF2592E	NOK	205015
AE7694E0	NOK	350974!	AF0437G0	NOK	43095S!	AF2592E0	NOK	205015
AE7698E0	NOK	471498	AF0544E0	NOK	472705!	AF2597E0	NOK	204038
AE7705E0	NOK	470806*	AF0633E	NOK	340849	AF2640E0	NOK	224520
AE7708E0	NOK	471276*	AF0636E0	NOK	7399S!	AF2640E0	NOK	45X60X10!
AE7739E0	NOK	321460	AF0654E0	NOK	471264	AF2643R	JOHND	471341!
AE7766E0	NOK	471692!	AF0741F	NOK	17X30X7	AF2655E	NOK	1992
AE7772E0	NOK	473211!	AF0749E1	NOK	17X32X7!	AF2655E0	NOK	1992
AE7782F0	NOK	470380!	AF0770E0	NOK	17X40X7	AF2655E0	NOK	45X65X8!
AE7869E0	NOK	472324!	AF0888F0	NOK	312518!	AF2659	JOHND	415035
AE7872E0	NOK	17X35X7	AF0888F0	NOK	342518	AF2659R	JOHND	415035
AF2749E0	NOK	350936	AF2727E0	NOK	48X62X8!	AF2788R	JOHND	474276!
AF27861E0	NOK	50X72X8!	AF2911R	JOHND	450129	AF2911R	JOHND	472826!
AF2920R	JOHND	474276!	AF2936E	NOK	473463	AF2993F0	NOK	40566S
AF3034E	NOK	225505	AF3034E0	NOK	55X70X8!	AF3034E	NOK	225505
AF3044F0	NOK	1207	AF3044F0	NOK	1207N	AF3065E	NOK	55X82X12!
AF3065E0	NOK	55X82X12!	AF3134E	NOK	412920	AF3135G	NOK	412920
AF3134E	NOK	412920	AF3135G1	NOK	412920	AF316R	JOHND	417181!
AF3135G1	NOK	412920	AF316R	JOHND	417181!	AF3171F0	NOK	442874
AF316R	JOHND	417181!	AF3240E	NOK	60X90X10	AF3240E0	NOK	60X90X8
AF3171F0	NOK	442874	AF3240E0	NOK	60X90X8	AF3614E0	NOK	75X100X12!
AF3240E	NOK	60X90X10	AF3614E0	NOK	75X100X12!	AF3729E	NOK	228010
AF3240E0	NOK	60X90X8	AF3729E	NOK	80X100X10!	AF3729E0	NOK	80X100X10!
AF3614E0	NOK	75X100X12!	AF3729E0	NOK	80X100X10!	AF545R	JOHND	472185!
AF3729E	NOK	228010	AF545R	JOHND	472185!	AF7103E1	NOK	204020
AF3729E0	NOK	80X100X10!	AF7103E1	NOK	204020	AF7103E1	NOK	204505!
AF545R	JOHND	472185!	AF7103E1	NOK	204505!	AF7133E0	NOK	204029
AF7103E1	NOK	204020	AF7133E0	NOK	204507!	AF7133E0	NOK	204507!
AF7103E1	NOK	204505!	AF7172E1	NOK	440972	AF7172E1	NOK	440972
AF7133E0	NOK	204029	AF7276E	NOK	291099	AF7276E	NOK	291099
AF7133E0	NOK	204507!	AF7276E0	NOK	291099	AF7286E0	NOK	7840S
AF7172E1	NOK	440972	AF7286E0	NOK	7840S	AF7380E	NOK	473229!
AF7276E	NOK	291099	AF7380E	NOK	473229!	AF7386E0	NOK	340827
AF7276E0	NOK	291099	AF7386E0	NOK	340827	AF7593E0	NOK	203008
AF7286E0	NOK	7840S	AF7593E0	NOK	203008	AF7599E0	NOK	481481
AF7380E	NOK	473229!	AF7599E0	NOK	481481	AF7604F0	NOK	204005
AF7386E0	NOK	340827	AF7604F0	NOK	204005	AF77047A	FORD	471652
AF7593E0	NOK	203008	AF77047A	FORD	471652	AF77047A	FORD	482208!
AF7599E0	NOK	481481	AF77047A2	FORD	471652	AF77047A2	FORD	471652
AF7604F0	NOK	204005	AF77047A3	FORD	471652	AF7756E0	NOK	340388
AF77047A	FORD	471652	AF7756E0	NOK	340388	AF7863E	NOK	3095
AF77047A	FORD	482208!	AF7863E	NOK	3095	AF7863E0	NOK	3095
AF77047A2	FORD	471652	AF7863E0	NOK	3095	AF7936E0	NOK	340356
AF77047A3	FORD	471652	AF7936E0	NOK	340356	AF8005E0	NOK	342517
AF7863E	NOK	3095	AF8005E0	NOK	342517	AF8021E0	NOK	41075S
AF7863E0	NOK	3095	AF8021E0	NOK	41075S	AF8057E0	NOK	204038
AF7936E0	NOK	340356	AF8057E0	NOK	204038	AF8063E0	NOK	204035
AF8005E0	NOK	342517	AF8063E0	NOK	204035	AF8088E0	NOK	45X62X8!
AF8021E0	NOK	41075S	AF8088E0	NOK	45X62X8!	AF8088F	NOK	494122
AF8057E0	NOK	204038	AF8088F	NOK	494122	AF8224E0	NOK	340900
AF8063E0	NOK	204035	AF8224E0	NOK	340900	AF8225E0	NOK	41461S
AF8088E0	NOK	45X62X8!	AF8225E0	NOK	41461S	AF8374E	NOK	203020
AF8088F	NOK	494122	AF8374E	NOK	203020	AF8374E0	NOK	203020
AF8224E0	NOK	340900	AF8374E0	NOK	203020	AF8389E0	NOK	8430S
AF8225E0	NOK	41461S	AF8389E0	NOK	8430S	AF8413E0	NOK	8974S
AF8374E	NOK	203020	AF8413E0	NOK				

Zero Duplication or Recommended		Zero Duplication or Recommended		Zero Duplication or Recommended		Zero Duplication or Recommended		
Mfr. No.	Name	Industrial	Mfr. No.	Name	Industrial	Mfr. No.	Name	
AF8729E	NOK	343104	AG2386F	NOK	224045	AG8907E	NOK	223210
AF8729E	NOK	343104	AG2386F	NOK	40X62X8!	AG8936E0	NOK	340930
AF8741E	NOK	480630	AG2386F0	NOK	224045	AGX49415	JOHND	340400
AF8741E0	NOK	480630	AG2386F0	NOK	40X62X12!	AGX82378A	JOHND	472016
AF8782E0	NOK	351487	AG2399E	NOK	224100	AGX82379A	JOHND	415458!
AF8933E0	NOK	7934S	AG2399E	NOK	40X65X10!	AGX96442	JOHND	472560N
AF8934E	NOK	9015S	AG2458E0	NOK	473117	AGX97454	JOHND	471466!
AF8934E0	NOK	9015S	AG2515W	NOK	224270	AGY16W	JOHND	471766!
AF9155E	NOK	8975S	AG2515W0	NOK	224270	AH0687E	NOK	221620
AF9155E0	NOK	8975S	AG2515W0	NOK	42X72X10!	AH0687E0	NOK	16X30X7
AFF133A0	NOK	45X65X8!	AG2538Y	NOK	1183	AH0736F	NOK	17X28X7
AFS1180	EL-WH	204035	AG2538Y0	NOK	1183	AH0736F0	NOK	17X28X7!
AFS1180E	EL-WH	204035	AG2538Y0	NOK	43X55X8!	AH0736F0	NOK	221710
AFS2130P	EL-WH	204038	AG2580F0	NOK	473237	AH0736G0	NOK	221710
AFS2782	EL-WH	204013	AG2640E0	NOK	224520	AH0736H	NOK	16X28X7!
AFS3549A	EL-WH	41461S	AG2640E0	NOK	45X60X10!	AH0736H	NOK	221710
AFX43053	JOHND	472185!	AG2649A0	NOK	45X62X8!	AH0736H0	NOK	16X28X7
AG-JB230	CONTI	471529	AG2755	NOK	1956	AH0736I	NOK	221710
AG0102E0	NOK	340826	AG2755G	NOK	1956	AH0815E0	NOK	221820
AG0103E0	NOK	340826	AG2755H	NOK	1956	AH0816-E	NOK	221820
AG0204A	NOK	9X22X7	AG2772Y	NOK	1188	AH0816E0	NOK	18X30X7!
AG0204A0	NOK	9X22X7	AG2772Y0	NOK	1188	AH0875A0	NOK	710445*
AG0213E0	NOK	330385	AG2772Y0	NOK	48X62X8!	AH0984E	NOK	222025!
AG0220E1	NOK	340827	AG2775	NOK	1956	AH0984F0	NOK	20X30X7
AG0324E0	NOK	343101	AG2775G	NOK	1956	AH0984G	NOK	222025!
AG0369E	NOK	12X22X7!	AG2775H	NOK	1956	AH10466	JOHND	456744N
AG0369E0	NOK	12X22X7!	AG2775Y	NOK	1956	AH10888	JOHND	8792S
AG0433H0	NOK	342805	AG2775Y0	NOK	1956	AH11966	JOHND	474274
AG0433I0	NOK	342805	AG2775Y0	NOK	48X62X8!	AH1260E0	NOK	24X40X7!
AG0437E0	NOK	340847	AG2776Y0	NOK	48X62X8!	AH1260G	NOK	222540
AG0443E0	NOK	342613!	AG2806E	NOK	1977	AH1260G	NOK	25X40X7!
AG0456E0	NOK	471526!	AG2806E0	NOK	1977	AH1260G0	NOK	222540
AG0514E0	NOK	14X24X7	AG2965A	NOK	52X75X12	AH1292E0	NOK	222510
AG0596A0	NOK	15X30X7	AG2965A0	NOK	52X75X12	AH1292F0	NOK	712007
AG0645E0	NOK	471466	AG3038A0	NOK	55X72X8!	AH1292H	NOK	712007
AG0686A	NOK	16X30X7	AG3151E0	NOK	58X80X8	AH1292H0	NOK	712007
AG0743E0	NOK	17X30X7	AG3217A0	NOK	60X82X12!	AH1292I	NOK	222510
AG0757A	NOK	17X35X7	AG3398A0	NOK	65X88X10	AH1302F0	NOK	25X37X7!
AG0757A0	NOK	17X35X7	AG3398A0	NOK	65X88X8!	AH1314F	NOK	222540
AG0802E	NOK	710222	AG3503E0	NOK	70X88X12	AH1314F0	NOK	25X40X7!
AG0802E0	NOK	710222	AG3503E0	NOK	70X88X8!	AH14076	JOHND	471192
AG0807E0	NOK	18X28X6	AG3505E0	NOK	70X88X8!	AH14080	JOHND	240736
AG0888G0	NOK	312518!	AG3516A0	NOK	70X92X12	AH14219	JOHND	471689!
AG0888G0	NOK	342518	AG3739A	NOK	80X105X14!	AH15048	JOHND	471760
AG0962F0	NOK	710249	AG3739A0	NOK	80X105X13!	AH1508E	NOK	712009
AG1035E	NOK	20X42X10	AG3839A0	NOK	85X110X12!	AH1512E	NOK	1990
AG1035E0	NOK	20X42X10	AG3990E0	NOK	95X120X12!	AH1512E0	NOK	1990
AG1169E0	NOK	240733	AG4059E0	NOK	100X125X12*	AH1512F	NOK	1990
AG1171E0	NOK	340850	AG6759A0	NOK	28X48X8!	AH1512F0	NOK	1990
AG1173E0	NOK	254287	AG6762A	NOK	70X95X13	AH1512J	NOK	1990
AG1179F0	NOK	340413	AG6762A0	NOK	70X95X10	AH1512J0	NOK	223535
AG1399E0	NOK	343098	AG6799Y0	NOK	1974	AH1512K	NOK	1990
AG1473A	NOK	26X42X10	AG6900E	NOK	7537S	AH1512K0	NOK	222743
AG1517A	NOK	27X47X10	AG6900E0	NOK	7537S	AH1513F	NOK	222745
AG1535E0	NOK	28X40X7!	AG6956E0	NOK	471442	AH1513F	NOK	27X45X8!
AG1588E0	NOK	340835	AG7148E	NOK	221510	AH1513F0	NOK	222745
AG1593F0	NOK	1037	AG7148E0	NOK	15X25X6	AH15256	JOHND	340136
AG1608E0	NOK	323133	AG7386E0	NOK	340827	AH1538G	NOK	222820
AG1703A	NOK	30X50X7	AG7756E0	NOK	340387	AH1538H	NOK	222820
AG1815E0	NOK	343186	AG7927E0	NOK	340826	AH1538P0	NOK	28X40X7!
AG1862E0	NOK	32X42X8!	AG8028E	NOK	1952	AH1544F0	NOK	28X42X8!
AG2039F0	NOK	35X47X7!	AG8028E0	NOK	1952	AH1544F0	NOK	712008
AG2064E0	NOK	35X52X8!	AG8372E0	NOK	350877	AH1558H	NOK	224025
AG2225F	NOK	1174	AG8372E0	NOK	471633!	AH1558HO	NOK	222860
AG2225F	NOK	38X52X8.5!	AG8409E0	NOK	342613!	AH1558PO	NOK	222860
AG2225F0	NOK	1174	AG8483E0	NOK	42X62X8!	AH16581	JOHND	473231
AG2225F0	NOK	38X52X8.5!	AG8550E	NOK	1943	AH16581H	JOHND	473231!
AG2272E0	NOK	7537S	AG8550F0	NOK	1943	AH1665E0	NOK	223010
AG2340E0	NOK	224015	AG8551E	NOK	494117	AH1666K	NOK	223010
AG2340E0	NOK	40X52X7!	AG8756E0	NOK	340849	AH1666K0	NOK	223010
AG2341E0	NOK	40X52X7!	AG8796E0	NOK	3395	AH1673F0	NOK	30X44X7!
AG2367A0	NOK	40X58X10!	AG8796E0	NOK	352444!	AH1679L0	NOK	30X45X5!
AH1679N0	NOK	30X45X8!						
AH1688E0	NOK	223018						
AH1688E0	NOK	30X46X7!						
AH1688F	NOK	223018						
AH1688F0	NOK	223018						
AH1706	NOK	30X50X7						
AH1706E	NOK	223050						
AH1706E0	NOK	223050						
AH1706F	NOK	223050						
AH1706F0	NOK	223050						
AH17256	JOHND	451857						
AH17911	JOHND	473452						
AH1880G0	NOK	223230						
AH1880G0	NOK	32X45X7!						
AH1888E0	NOK	32X47X7!						
AH1888E0	NOK	710310						
AH1888G0	NOK	223230						
AH1893E	NOK	223240						
AH1893E	NOK	32X48X8!						
AH1893E0	NOK	223240						
AH1895E	NOK	223240						
AH1895E	NOK	32X48X8!						
AH1895E0	NOK	223240						
AH1895E0	NOK	32X48X8!						
AH1904F	NOK	1167						
AH1904G	NOK	223252						
AH1904G0	NOK	223252						
AH1904G00X1	NOK	223252						
AH19415	JOHND	200763						
AH1968F0	NOK	223420						
AH1968G	NOK	223420						
AH1968G0	NOK	223420						
AH1971G	NOK	223430						
AH1971G	NOK	710417						
AH1971Y	NOK	223430						
AH1971Y	NOK	710417						
AH1971Y0	NOK	223430						
AH1971Y0	NOK	710417						
AH19842	JOHND	472070=						
AH1986G	NOK	223420						
AH2057J0	NOK	713771						
AH2057J0	NOK	713771						
AH2057P	NOK	35X50X8!						
AH2057P	NOK	3771						
AH2057P0	NOK	3771						
AH2057Q	NOK	3771						
AH2057Q0	NOK	3771						
AH2057R0	NOK	3771						
AH2060E	NOK	3771						
AH2060E0	NOK	35X50X8!						
AH2060E0	NOK	3771						
AH2060G	NOK	3771						
AH2060G0	NOK	3771						
AH2060W	NOK	710324						
AH2060W0	NOK	710324						
AH2060Y	NOK	3771						
AH2060Y0	NOK	3771						
AH2067F0	NOK	35X52X8!						
AH2077F	NOK	710331						
AH2077F0	NOK	35X54X8!						
AH2077G	NOK	710331						
AH2077G0	NOK	710331						
AH2077H0	NOK	710331						
AH2077I	NOK	1119						
AH2077I	NOK	710331						
AH2083E	NOK	223540						
AH2083G	NOK	223540						

Zero Duplication or Recommended		Zero Duplication or Recommended		Zero Duplication or Recommended		Zero Duplication or Recommended	
Mfr. No.	Name	Mfr. No.	Name	Mfr. No.	Name	Mfr. No.	Name
AH2085G	NOK	AH2492E0	NOK	AH3221E0	NOK	AH7142F0	NOK
AH2085G0	NOK	AH2492G0	NOK	AH3221G	NOK	AH7235E	NOK
AH2093F	NOK	AH2492I	NOK	AH3221G0	NOK	AH7235E0	NOK
AH2093F1	NOK	AH2492J0	NOK	AH3222F0	NOK	AH7288G	NOK
AH2093G0	NOK	AH2492J	NOK	AH3222F0	NOK	AH7288H	NOK
AH2093G0	NOK	AH2492J0	NOK	AH3222G0	NOK	AH7288I	NOK
AH2093H0	NOK	AH2493F	NOK	AH3222Q0	NOK	AH7341E	NOK
AH2093I0	NOK	AH2493G0	NOK	AH3340E	NOK	AH7342E0	NOK
AH2132E0	NOK	AH2493P	NOK	AH3502P0	NOK	AH7343E0	NOK
AH2134F	NOK	AH2493P0	NOK	AH350500	NOK	AH7344E	NOK
AH2136E0	NOK	AH2507P	NOK	AH3505Q0	NOK	AH75295	JOHND
AH2136G	NOK	AH2507P0	NOK	AH3505Q0	NOK	AH75296	JOHND
AH2136G0	NOK	AH25329	JOHND	AH3519S	NOK	AH75485	JOHND
AH2136G0	NOK	AH2554F0	NOK	AH3560-F	NOK	AH7592E	NOK
AH2145F0	NOK	AH2554F0	NOK	AH3560F0	NOK	AH7592E0	NOK
AH2145G0	NOK	AH2554G	NOK	AH3560G0	NOK	AH76193	JOHND
AH21815	JOHND	AH2554G0	NOK	AH3560H0	NOK	AH7622F0	NOK
AH21870	JOHND	AH2554H	NOK	AH3560P	NOK	AH7689E	NOK
AH2200E0	NOK	AH2554P	NOK	AH3618-P0	NOK	AH7743E	NOK
AH2201F	NOK	AH2554P0	NOK	AH3618E	NOK	AH7886F	NOK
AH2216E0	NOK	AH2560F	NOK	AH3618E	NOK	AH7897E	NOK
AH2216E0	NOK	AH2560F0	NOK	AH3618E0	NOK	AH7897E	NOK
AH2218E0	NOK	AH2564Y0	NOK	AH3618E0	NOK	AH7897E	NOK
AH2218E0	NOK	AH2564Y0	NOK	AH3618R0	NOK	AH7897E0	NOK
AH2218L	NOK	AH2651F	NOK	AH3724-F0	NOK	AH7897E0	NOK
AH2219E	NOK	AH2651F0	NOK	AH3724G	NOK	AH7897E0	NOK
AH2219E0	NOK	AH2668I	NOK	AH3724G0	NOK	AH7953E	NOK
AH2222F	NOK	AH2668I0	NOK	AH3724P0	NOK	AH8002E	NOK
AH2222F	NOK	AH2668J0	NOK	AH3730E	NOK	AH8002E0	NOK
AH2222F0	NOK	AH2668R	NOK	AH3730E0	NOK	AH8002E1	NOK
AH2231P	NOK	AH2668R	NOK	AH3730E0	NOK	AH80324	JOHND
AH2231P0	NOK	AH2668R0	NOK	AH3730H0	NOK	AH8045E	NOK
AH2231P0	NOK	AH2668R0	NOK	AH3730J	NOK	AH8045E	NOK
AH2240I	NOK	AH2668Y0	NOK	AH3732-F0	NOK	AH8045E0	NOK
AH2240J	NOK	AH2685F	NOK	AH3732E	NOK	AH8045E0	NOK
AH2240J0	NOK	AH2685F	NOK	AH3732E0	NOK	AH8045E0	NOK
AH2245F	NOK	AH2685F0	NOK	AH3732E0	NOK	AH8291Q	NOK
AH2245F0	NOK	AH2685G0	NOK	AH3732G0	NOK	AH8291Q0	NOK
AH2261E0	NOK	AH2691E	NOK	AH3732I0	NOK	AH8338E	NOK
AH2304-H0	NOK	AH2691E0	NOK	AH3732J0	NOK	AH8338P	NOK
AH2304P0	NOK	AH2691E0	NOK	AH3732L0	NOK	AH8338P	NOK
AH2341E	NOK	AH2786E	NOK	AH3732M0	NOK	AH8338P0	NOK
AH2341E0	NOK	AH2786E	NOK	AH3732N	NOK	AH8338P1	NOK
AH2341E0	NOK	AH2786E0	NOK	AH3732N0	NOK	AH8339P	NOK
AH2342F0	NOK	AH2786E0	NOK	AH3733Q	NOK	AH8339P	NOK
AH2342G	NOK	AH2786F	NOK	AH3733Q0	NOK	AH8378E0	NOK
AH2342G0	NOK	AH2786F0	NOK	AH3733R0	NOK	AH8490E	NOK
AH2342G0	NOK	AH2788E	NOK	AH3733R0	NOK	AH8490E0	NOK
AH2342H	NOK	AH2788E	NOK	AH3734-E0	NOK	AH8515E0	NOK
AH2359P	NOK	AH2788E0	NOK	AH3734-E0	NOK	AH8515F	NOK
AH2359P0	NOK	AH2788E0	NOK	AH3744-Q0	NOK	AH8515F	NOK
AH2359P0	NOK	AH2791G	NOK	AH3744-Q0	NOK	AH8515F0	NOK
AH2361E0	NOK	AH2791G	NOK	AH3744Q	NOK	AH8515F0	NOK
AH2365E0	NOK	AH2791G0	NOK	AH3786E	NOK	AH8563E	NOK
AH2369G	NOK	AH2791G0	NOK	AH3786E	NOK	AH8563E0	NOK
AH2369G0	NOK	AH2791G0	NOK	AH3786E0	NOK	AH8587E0	NOK
AH2386G	NOK	AH2791G1	NOK	AH3932P1	NOK	AH8655P	NOK
AH2386G0	NOK	AH2837F0	NOK	AH583R	JOHND	AH8655P0	NOK
AH2414E0	NOK	AH2847S	NOK	AH62279	JOHND	AH8656E	NOK
AH2426E	NOK	AH2854F	NOK	AH62281	JOHND	AH8656E0	NOK
AH2426E0	NOK	AH2854F0	NOK	AH633R	JOHND	AH86595	JOHND
AH2443E0	NOK	AH2854F0	NOK	AH633R	JOHND	AH86596	JOHND
AH2444F0	NOK	AH2864G	NOK	AH6901E0	NOK	AH8740F	NOK
AH2444F0	NOK	AH2864G0	NOK	AH6924	NOK	AH8740F0	NOK
AH2480E0	NOK	AH2864G0	NOK	AH6924F	NOK	AH8740G	NOK
AH2483E0	NOK	AH2921P	NOK	AH6924P	NOK	AH8740G0	NOK
AH2483E0	NOK	AH2961E0	NOK	AH6924Y	NOK	AH8740H	NOK
AH2486F	NOK	AH3050Q	NOK	AH6924Y0	NOK	AH8740H0	NOK
AH2486F	NOK	AH3050Q	NOK	AH7036F0	NOK	AH8811E0	NOK
AH2486F0	NOK	AH3193F	NOK	AH7049E	NOK	AH8811E0	NOK
AH2486F0	NOK	AH3193F0	NOK	AH7049E0	NOK	AH8846P	NOK
AH2492E0	NOK	AH3221E	NOK	AH7142F0	NOK	AH8846P0	NOK

! Industrial Size/Type * Minor Width Difference

Zero Duplication or Recommended		Zero Duplication or Recommended		Zero Duplication or Recommended		Zero Duplication or Recommended					
Mfr. No.	Name	Mfr. No.	Name	Mfr. No.	Name	Mfr. No.	Name				
AH8847P	NOK	224025	AM1842T	JOHND	6241S	AMX15842	ALLCH	415995!	AN150038	JOHND	472157
AH8888E	NOK	222330	AM1977T	JOHND	473231	AMX16237	ALLCH	470354	AN152118	JOHND	472826!
AH8888P	NOK	222330	AM205	FMC	415995!	AMX16397	ALLCH	471766!	AN161130	JOHND	200940* =
AH8888PO	NOK	222330	AM205	LK-BT	415995!	AMX19347	ALLCH	470590	AN163876	JOHND	472924!
AH8942E	NOK	710053	AM2133T	JOHND	472164!	AMX19959	ALLCH	471570!	AN181409	JOHND	204029
AH90963	JOHND	200303* =	AM220T	JOHND	345035	AMX20069	ALLCH	414268!	AN181409	JOHND	204507!
AH93892	JOHND	200942*	AM221	MUSKE	16210	AMX20099	ALLCH	240736	AN181410	JOHND	204017
AHH001A0	NOK	25X38X7!	AM222	MUSKE	16204	AMX20296	ALLCH	472354!	AN181411	JOHND	471267!
AHH026A	NOK	30X45X8!	AM2231	MUSKE	16200	AMX20637	ALLCH	6759S	AN190473	JOHND	450523
AHH026A0	NOK	30X45X5!	AM224	MUSKE	16201	AMX20668	ALLCH	472439	AN190474	JOHND	715101
AHH035A0	NOK	20X30X7	AM2241	MUSKE	16201	AMX2146	ALLCH	474272!	AN30647	JOHND	450400
AHH050A0	NOK	225020	AM225	MUSKE	16208	AMX21859	ALLCH	340771	AN31885	JOHND	473016!
AHH050A0	NOK	50X68X8!	AM2258T	JOHND	472287!	AMX2262	ALLCH	471646!	AN32745N	JOHND	473237!
AHH052A	NOK	40X55X8!	AM227	MUSKE	16211	AMX2263	ALLCH	471354!	AN50308	JOHND	203007 =
AHH052A0	NOK	224020	AM228	MUSKE	16202	AMX22904	ALLCH	340724!	AN70684	JOHND	350936
AHH085-A0	NOK	227550	AM2281	MUSKE	16212	AMX23148	ALLCH	472229	AN70684N	JOHND	350936
AHH085-A0	NOK	75X100X12!	AM2291	MUSKE	16203	AMX24126	ALLCH	473463	AN7194N	JOHND	350936
AHH144A0	NOK	25X35X7!	AM230	MUSKE	16203	AMX24127	ALLCH	473463	AN71578N	JOHND	470774!
AHH144A0	NOK	712007	AM231	MUSKE	16206	AMX24130	ALLCH	471570!	AP-1181	AUPRO	S-1181
AHH254-B0	NOK	223810	AM232	MUSKE	16209	AMX24131	ALLCH	471192	AP-1183	AUPRO	S-1183
AHH254-B0	NOK	80X100X10!	AM2446T	JOHND	323138!	AMX24133	ALLCH	411376!	AP-1188	AUPRO	S-1188
AHH276-A0	NOK	228020	AM253T	JOHND	471192	AMX24137	ALLCH	417172	AP-1196	AUPRO	S-1196
AHH276A	NOK	80X105X14!	AM2553T	JOHND	340853	AMX24138	ALLCH	470059	AP-1205N	AUPRO	S-1205N
AHH443A0	NOK	223831	AM260T	JOHND	473234	AMX24138	ALLCH	470380!	AP-1213	AUPRO	S-1213N
AHH443A0	NOK	38X55X7!	AM263	JOHND	470625!	AMX25866	ALLCH	450621	AP-1217	AUPRO	S-1217
AHH452A0	NOK	1990	AM263T	JOHND	470625!	AMX2642	ALLCH	470605!	AP-1883	AUPRO	S-1883
AHH452A0	NOK	27X43X8!	AM2684T	JOHND	473179!	AMX281151	ALLCH	472164!	AP-1884	AUPRO	S-1884
AHH587-B0	NOK	221710	AM268T	JOHND	472924!	AMX30832	ALLCH	412861	AP-1932	AUPRO	S-1932
AHH587-B0	NOK	17X28X7	AM2723T	JOHND	410496!	AMX30920	ALLCH	471801!	AP-1948	AUPRO	S-1948
AJ1177A	FORD	473228	AM2732T	JOHND	410496!	AMX31045	ALLCH	473245!	AP-1950	AUPRO	S-1950
AJ1177A1	FORD	473228	AM2773T	JOHND	472924!	AMX33653	ALLCH	415027	AP-1953	AUPRO	S-1953
AJ1177A2	FORD	473228	AM2775T	JOHND	410496!	AMX33653	ALLCH	415027!	AP-1955	AUPRO	S-1955
AJ1177A3	FORD	473228	AM3094	JOHND	712260	AMX336532	ALLCH	416125!	AP-1956	AUPRO	S-1956
AJ1177A4	FORD	473228	AM3094T	JOHND	712260	AMX36553	ALLCH	415234!	AP-1960	AUPRO	S-1960
AJ1177D3	FORD	9568	AM331	MUSKE	16250	AMX36817	ALLCH	472144!	AP-1962	AUPRO	S-1962
AJ1177F	FORD	9568	AM332	MUSKE	16251	AMX368171	ALLCH	472144!	AP-1973	AUPRO	S-1973
AJ4676A	FORD	7044NA	AM333	MUSKE	16252	AMX36818	ALLCH	470086	AP-1984	AUPRO	S-1984
AJX1942A	MASSE	473464!	AM334	MUSKE	16253	AMX368181	ALLCH	470086	AP-1987	AUPRO	S-1987
AJX1942A	MASSE	473464	AM334G	MUSKE	16254	AMX36842	ALLCH	480630!	AP-1992	AUPRO	S-1992
AK35937	JOHND	200118 =	AM335	MUSKE	16255	AMX368421	ALLCH	480630!	AP-1994	AUPRO	S-1994
AK35937K	JOHND	200118 =	AM337	MUSKE	16257	AMX37257	ALLCH	415234!	AP-2002	AUPRO	S-2002
AK36310	JOHND	200854	AM338	MUSKE	16258	AMX372571	ALLCH	415234!	AP-2007	AUPRO	S-2007
AK36310K	JOHND	200854	AM339	MUSKE	16259	AMX37590	ALLCH	471504!	AP-203013	AUPRO	S-203013
AK36652	JOHND	200122	AM340	MUSKE	16260	AMX375901	ALLCH	471504!	AP-203025	AUPRO	S-203025
AK36652K	JOHND	200122	AM341	MUSKE	16261	AMX42646	ALLCH	415449!	AP-203029	AUPRO	S-203029
AK37498	JOHND	471413	AM342	MUSKE	16262	AMX44599	ALLCH	412920!	AP-204013	AUPRO	S-204013
AL1395N	JOHND	312140	AM343	MUSKE	16263	AMX46121	ALLCH	470774!	AP-204017	AUPRO	S-204017
AL1794N	JOHND	471344	AM344	MUSKE	16264	AMX46446	ALLCH	413247!	AP-204038	AUPRO	S-204038
AL20027T	JOHND	473010!	AM345	MUSKE	16265	AMX46837	ALLCH	415027	AP-2043	AUPRO	S-2043
AL20185T	JOHND	470059	AM346	MUSKE	16266	AMX46837	ALLCH	415027!	AP-2081	AUPRO	S-2081
AL20185T	JOHND	470380!	AM3572T	JOHND	472144!	AMX50360	ALLCH	472179	AP-2146	AUPRO	S-2146
AL2020T	JOHND	472144!	AM381T	JOHND	471224!	AMX53664	ALLCH	415371	AP-223420	AUPRO	S-223420
AL2021T	JOHND	473367!	AM727T	JOHND	345035	AMX71042	JOHND	471747!	AP-223542	AUPRO	S-223542
AL2021T	JOHND	473367	AM878T	JOHND	473445	AMX71043	JOHND	471571	AP-223543	AUPRO	S-223543
AL2094T	JOHND	471192	AM937T	JOHND	410496!	AMX71043A	JOHND	471647	AP-223605	AUPRO	S-223605
AL2095T	JOHND	473229	AM939T	JOHND	410496!	AMX71177	JOHND	472287!	AP-223830	AUPRO	S-223830
AL2122T	JOHND	471763	AM965	FMC	471271!	AMX76410	JOHND	451583!	AP-223840	AUPRO	S-223840
AL2123T	JOHND	471821!	AM965	LK-BT	471271!	AMX76433	JOHND	471224!	AP-224015	AUPRO	S-224015
AL2124T	JOHND	472924!	AMK772	DENCO	471192	AMX76655	JOHND	471763	AP-224026	AUPRO	S-224026
AL2172T	JOHND	471763	AMX10783	ALLCH	473473	AMX81974	JOHND	471472!	AP-224235	AUPRO	S-224235
AL2257T	JOHND	471224!	AMX11252	ALLCH	471192	AN100904	JOHND	472354!	AP-224772	AUPRO	S-224772
AL2258T	JOHND	470954!	AMX11852	ALLCH	471192	AN102006	JOHND	472492!	AP-224820	AUPRO	S-224820
AL2426T	JOHND	470712	AMX12593	ALLCH	472354!	AN10535	JOHND	203008	AP-225020	AUPRO	S-225020
AL26537	JOHND	471763	AMX1284	ALLCH	416888!	AN10535	JOHND	204008	AP-225110	AUPRO	S-225110
AL2653T	JOHND	471763	AMX1285	ALLCH	455375 =	AN10535N	JOHND	204008	AP-225225	AUPRO	S-225225
AL2654T	JOHND	345146	AMX13435	ALLCH	473215!	AN12151	JOHND	473459	AP-225230	AUPRO	S-225230
AL4360	CATER	455121	AMX13503	ALLCH	473197	AN12151N	JOHND	473459	AP-226285	AUPRO	S-226285
ALK62850	CONTI	471554!	AMX13916	ALLCH	471255!	AN12717	JOHND	471831!	AP-2286	AUPRO	S-2286
AM1091T	JOHND	470334!	AMX14034	ALLCH	472185!	AN12717N	JOHND	471831!	AP-2506	AUPRO	S-2506
AM1162T	JOHND	450173	AMX14036	ALLCH	474274	AN140226	JOHND	471750!	AP-2655	AUPRO	S-2655
AM1717T	JOHND	472924!	AMX14354	ALLCH	472705!	AN140227	JOHND	472144!	AP-2658	AUPRO	S-2658
AM1842T	JOHND	470950!	AMX14378	ALLCH	473444	AN150038	JOHND	416556!	AP-2692	AUPRO	S-2692

! Industrial Size/Type * Minor Width Difference = Call 1-800-480-1212 for price and delivery.

ALPHABETICAL

Zero Duplication or Recommended		Zero Duplication or Recommended		Zero Duplication or Recommended		Zero Duplication or Recommended	
Mfr. No.	Name	Mfr. No.	Name	Mfr. No.	Name	Mfr. No.	Name
AP-2955	AUPRO	S-2955	AP-6840S	AUPRO	S-6840S	AP1295	WHITE
AP-3087	AUPRO	S-3087	AP-6954S	AUPRO	S-6954S	470059	470059
AP-3173	AUPRO	S-3173	AP-7022S	AUPRO	S-7022S	470380!	470380!
AP-3195	AUPRO	S-3195	AP-7038SA	AUPRO	S-7038SA	25X35X7!	25X35X7!
AP-3214	AUPRO	S-3214	AP-7044NA	AUPRO	S-7044NA	471649!	471649!
AP-3227	AUPRO	S-3227	AP-710005	AUPRO	S-710005	474260!	474260!
AP-331107N	AUPRO	S-331107N	AP-710067	AUPRO	S-710067	474260!	474260!
AP-331227H	AUPRO	S-331227H	AP-710072	AUPRO	S-710072	30X42X7!	30X42X7!
AP-331228H	AUPRO	S-331228H	AP-710073	AUPRO	S-710073	470774!	470774!
AP-334111	AUPRO	S-334111	AP-710091	AUPRO	S-710091	470774!	470774!
AP-3357	AUPRO	S-3357	AP-710092	AUPRO	S-710092	712270	712270
AP-3459	AUPRO	S-3459	AP-710096	AUPRO	S-710096	712270	712270
AP-3543	AUPRO	S-3543	AP-710101	AUPRO	S-710101	417191	417191
AP-3604	AUPRO	S-3604	AP-710105	AUPRO	S-710105	456585	456585
AP-3622	AUPRO	S-3622	AP-710110	AUPRO	S-710110	470334!	470334!
AP-3655	AUPRO	S-3655	AP-710166	AUPRO	S-710166	470954!	470954!
AP-3677	AUPRO	S-3677	AP-710168	AUPRO	S-710168	471766	471766
AP-3723	AUPRO	S-3723	AP-722108	AUPRO	S-722108	472560N	472560N
AP-3743	AUPRO	S-3743	AP-722109	AUPRO	S-722109	471737	471737
AP-3747	AUPRO	S-3747	AP-7300S	AUPRO	S-7300S	472354!	472354!
AP-3771	AUPRO	S-3771	AP-7412S	AUPRO	S-7412S	415995!	415995!
AP-3896	AUPRO	S-3896	AP-7687S	AUPRO	S-7687S	473462	473462
AP-3946	AUPRO	S-3946	AP-7692S	AUPRO	S-7692S	340823	340823
AP-4072	AUPRO	S-4072N	AP-7781S	AUPRO	S-7781S	473016!	473016!
AP-4099	AUPRO	S-4099	AP-7934S	AUPRO	S-7934S	254287	254287
AP-410308	AUPRO	S-410308	AP-8121S	AUPRO	S-8121S	40555	40555
AP-412920	AUPRO	S-412920	AP-8181NA	AUPRO	S-8181NA	40555S!	40555S!
AP-4131	AUPRO	S-4131	AP-8312	AUPRO	S-8312	471795	471795
AP-413248	AUPRO	S-413248	AP-8430S	AUPRO	S-8430S	450165	450165
AP-413470	AUPRO	S-413470	AP-8460N	AUPRO	S-8460N	471801!	471801!
AP-4148	AUPRO	S-4148	AP-8516N	AUPRO	S-8516N	471192	471192
AP-415009	AUPRO	S-415009	AP-8594S	AUPRO	S-8594S	200600	200600
AP-415960	AUPRO	S-415960	AP-8610	AUPRO	S-8610	470590	470590
AP-4160	AUPRO	S-4160	AP-8611N	AUPRO	S-8611N	471354!	471354!
AP-416273	AUPRO	S-416273	AP-8660S	AUPRO	S-8660S	470590	470590
AP-417158	AUPRO	S-417158	AP-8695S	AUPRO	S-8695S	413246	413246
AP-4249	AUPRO	S-4249	AP-8704S	AUPRO	S-8704S	472012	472012
AP-4250	AUPRO	S-4250	AP-8705S	AUPRO	S-8705S	471760	471760
AP-4278	AUPRO	S-4278	AP-8792S	AUPRO	S-8792S	340771	340771
AP-4370N	AUPRO	S-4370N	AP-8835S	AUPRO	S-8835S	473228	473228
AP-442109	AUPRO	S-442109	AP-8871	AUPRO	S-8871	473228!	473228!
AP-442251	AUPRO	S-442251	AP-8974S	AUPRO	S-8974S	5976S	5976S
AP-442874	AUPRO	S-442874	AP-9015S	AUPRO	S-9015S	474253	474253
AP-444116	AUPRO	S-444116	AP-9150S	AUPRO	S-9150S	473413	473413
AP-455086	AUPRO	S-455086	AP-9178S	AUPRO	S-9178S	472258	472258
AP-470331N	AUPRO	S-470331N	AP-9316	AUPRO	S-9316	472258	472258
AP-470361	AUPRO	S-470361	AP-9406S	AUPRO	S-9406S	473448	473448
AP-470460	AUPRO	S-470460	AP-9449	AUPRO	S-9449	473448	473448
AP-471224	AUPRO	S-471224	AP-9569S	AUPRO	S-9569S	415196!	415196!
AP-471271	AUPRO	S-471271	AP-9613S	AUPRO	S-9613S	J1121	J1121
AP-471424	AUPRO	S-471424	AP-9845	AUPRO	S-9845	480821!	480821!
AP-473468	AUPRO	S-473468	AP-9864S	AUPRO	S-9864S	480821!	480821!
AP-473677	AUPRO	S-473677	AP-9912	AUPRO	S-9912	471337	471337
AP-4739	AUPRO	S-4739	AP0549E	NOK	472705!	471735	471735
AP-4740	AUPRO	S-4740	AP0549E0	NOK	472705!	471735	471735
AP-474134	AUPRO	S-474134	AP0786E	NOK	471529	471570!	471570!
AP-4762N	AUPRO	S-4762N	AP0786E0	NOK	471529	471538	471538
AP-4795V	AUPRO	S-4795V	AP0913E	NOK	470954!	471538	471538
AP-4899	AUPRO	S-4899	AP0987E1	NOK	20X30X7	471787!	471787!
AP-493291	AUPRO	S-493291	AP1003E	NOK	222028	471787!	471787!
AP-493637	AUPRO	S-493637	AP1012	AUPRO	S-1012N	471192	471192
AP-494117	AUPRO	S-494117	AP1116E0	NOK	22X32X7!	471192	471192
AP-494123	AUPRO	S-494123	AP1126	AUPRO	S-1126	471688	471688
AP-51098	AUPRO	S-51098	AP1174	AUPRO	S-1174	471688	471688
AP-5121	AUPRO	S-5121	AP1177	AUPRO	S-1177	8059S	8059S
AP-5131	AUPRO	S-5131	AP1178	AUPRO	S-1178	8059S	8059S
AP-5604	AUPRO	S-5604	AP1180	AUPRO	S-1180	481481	481481
AP-5697	AUPRO	S-5697	AP1181E	NOK	471267!	481481	481481
AP-5778	AUPRO	S-5778	AP1181E0	NOK	471267!	25X42X10	25X42X10
AP-6358	AUPRO	S-6358	AP1247F0	NOK	24X37X7	25X42X8!	25X42X8!
AP-6712NA	AUPRO	S-6712NA	AP1295	MINNM	470059	222450	222450
AP-6815	AUPRO	S-6815	AP1295	MINNM	470380!	470059	470059
AP01295	OLIVE	470380!	AP01296	OLIVE	450593!	AP01612	OLIVE
AP01296	OLIVE	450593!	AP01612	OLIVE	473367	AP02492	OLIVE
AP01612	OLIVE	473367	AP02492	OLIVE	471354!	AP02492	WHITE
AP02492	OLIVE	471354!	AP02492	WHITE	471354!	AQ28293K	JOHND
AP02492	WHITE	471354!	AQ28293K	JOHND	6575S	AQ28293KA	JOHND
AQ28293K	JOHND	6575S	AQ28293KA	JOHND	6575S	AQ28735	JOHND
AQ28293KA	JOHND	6575S	AQ28735	JOHND	471870!	AQX124666	JOHND
AQ28735	JOHND	471870!	AQX124666	JOHND	471649!	AQX20382	JOHND
AQX124666	JOHND	471649!	AQX20382	JOHND	471646!	AQX22853	JOHND
AQX20382	JOHND	471646!	AQX22853	JOHND	415076	AQX26585	JOHND
AQX22853	JOHND	415076	AQX26585	JOHND	471737	AQX32982H	JOHND
AQX26585	JOHND	471737	AQX32982H	JOHND	340136	AQX35627	JOHND
AQX32982H	JOHND	340136	AQX35627	JOHND	473225!	AQX37171	JOHND
AQX35627	JOHND	473225!	AQX37171	JOHND	471192	AQX37375	JOHND
AQX37171	JOHND	471192	AQX37375	JOHND	473016!	AQX38321	JOHND
AQX37375	JOHND	473016!	AQX38321	JOHND	471684!	AQX42643	JOHND
AQX38321	JOHND	471684!	AQX42643	JOHND	471795	AQX42844	JOHND
AQX42643	JOHND	471795	AQX42844	JOHND	473205	AQX43411	JOHND
AQX42844	JOHND	473205	AQX43411	JOHND	200600	AQX48731	JOHND
AQX43411	JOHND	200600	AQX48731	JOHND	470590	AQX59960	JOHND
AQX48731	JOHND	470590	AQX59960	JOHND	6513	AQX61812	JOHND
AQX59960	JOHND	6513	AQX61812	JOHND	7230=	AQX62213	JOHND
AQX61812	JOHND	7230=	AQX62213	JOHND	203008	AQX68086	JOHND
AQX62213	JOHND	203008	AQX68086	JOHND	472234	AQX68090	JOHND
AQX68086	JOHND	472234	AQX68090	JOHND	471192	AQX70116	JOHND
AQX68090	JOHND	471192	AQX70116	JOHND	240736	AQX70245	JOHND
AQX70116	JOHND	240736	AQX70245	JOHND	240733	AQX76268	JOHND
AQX70245	JOHND	240733	AQX76268	JOHND	340136	AR-55216	JOHND
AQX76268	JOHND	340136	AR-55216	JOHND	470380!	AR-7708	CUMMI
AR-55216	JOHND	470380!	AR-7708	CUMMI	5026	AR-98650	JOHND
AR-7708	CUMMI	5026	AR-98650	JOHND	412473!	AR0437E0	NOK
AR-98650	JOHND	412473!	AR0437E0	NOK	8792S	AR0587E	NOK
AR0437E0	NOK	8792S	AR0587E	NOK	221510	AR0587E0	NOK
AR0587E	NOK	221510	AR0587E0	NOK	15X25X6!	AR0587E0	NOK
AR0587E0	NOK	15X25X6!	AR0587E0	NOK	221510	AR0670E	NOK
AR0587E0	NOK	221510	AR0670E	NOK	16X24X7	AR0670E0	NOK
AR0670E	NOK	16X24X7	AR0670E0	NOK	16X24X6	AR0785E	NOK
AR0670E0	NOK	16X24X6	AR0785E	NOK	3667	AR0785E0	NOK
AR0785E	NOK	3667	AR0785E0	NOK	3667	AR0809E	NOK
AR0785E0	NOK	3667	AR0809E	NOK	1015N	AR0809E0	NOK
AR0809E	NOK	1015N	AR0809E0	NOK	18X28X6	AR0809G	NOK
AR0809E0	NOK	18X28X6	AR0809G	NOK	1015N	AR0888E0	NOK
AR0809G	NOK	1015N	AR0888E0	NOK	240735	AR0893E0	NOK
AR0888E0	NOK	240735	AR0893E0	NOK	240816	AR0897E	NOK
AR0893E0	NOK	240816	AR0897E	NOK	343185	AR0897E0	NOK
AR0897E	NOK	343185	AR0897E0	NOK	343185	AR0913E	NOK
AR0897E0	NOK	343185	AR0913E	NOK	470954	AR0913G0	NOK
AR0913E	NOK	470954	AR0913G0	NOK	470954!	AR100066	JOHND
AR0913G0	NOK	470954!	AR100066	JOHND	486701	AR1012E1	NOK
AR100066	JOHND	486701	AR1012E1	NOK	20X35X7!	AR103873	JOHND
AR1012E1	NOK	20X35X7!	AR103873	JOHND	471281!	AR1168E0	NOK
AR103873	JOHND	471281!	AR1168E0	NOK	240733	AR1201R	JOHND
AR1168E0	NOK	240733	AR1201R	JOHND	320457	AR1314E2	NOK
AR1201R	JOHND	320457	AR1314E2	NOK	25X40X7!	AR1335R	JOHND
AR1314E2	NOK	25X40X7!	AR1335R	JOHND	472560N!	AR1399F0	NOK
AR1335R	JOHND	472560N!	AR1399F0	NOK	240731	AR1418E	NOK
AR1399F0	NOK	240731	AR1418E	NOK	471224	AR1418E0	NOK
AR1418E	NOK	471224	AR1418E0	NOK	471224	AR1587R	JOHND
AR1418E0	NOK	471224	AR1587R	JOHND	450400	AR1588F	NOK
AR1587R	JOHND	450400	AR1588F	NOK	340835	AR1592E	NOK
AR1588F	NOK	340835	AR1592E	NOK	1037*	AR1593G0	NOK
AR1592E	NOK	1037*	AR1593G0	NOK	1037	AR1774F0	NOK
AR1593G0	NOK	1037	AR1774F0	NOK	340817	AR1818F0	NOK
AR1774F0	NOK	340817	AR1818F0	NOK	240356	AR1995E	NOK
AR1818F0	NOK	240356	AR1995E	NOK	340853	AR1995E0	NOK
AR1995E	NOK	340853	AR1995E0	NOK	340853	AR1997E	NOK
AR1995E0	NOK	340853	AR1997E	NOK	472354!	AR1997E0	NOK
AR1997E	NOK	472354!	AR1997E0	NOK	472354!	AR20077R	JOHND
AR1997E0	NOK	472354!	AR20077R	JOHND	472258!	AR2022E	NOK
AR20077R	JOHND	472258!	AR2022E	NOK	323125		

! Industrial Size/Type * Minor Width Difference = Call 1-800-480-121

Zero Duplication or Recommended		Zero Duplication or Recommended		Zero Duplication or Recommended		Zero Duplication or Recommended	
Mfr. No.	Name	Mfr. No.	Name	Mfr. No.	Name	Mfr. No.	Name
AR2022E NOK	450456!	AR69584 JOHND	471138!	AT12542 JOHND	473231!	AT43762 JOHND	477410=
AR2266F0 NOK	474276 *	AR69776 JOHND	410965=	AT12542T JOHND	473231	AT44697 JOHND	415483
AR2268F0 NOK	240319	AR70406 JOHND	2119 *=	AT12557 JOHND	357302	AT47901 JOHND	415449!
AR2269F0 NOK	240319	AR7108E0 NOK	240151	AT12557 JOHND	415991	AT48313 JOHND	204017
AR2575F NOK	340400	AR71558 JOHND	471271!	AT12820T JOHND	470954!	AT48334 JOHND	472924!
AR2575F0 NOK	340400	AR72375 JOHND	204013	AT12822T JOHND	471766!	AT49215 JOHND	473474
AR2643H0 NOK	45X60X10!	AR7241E NOK	340823	AT12888 JOHND	7014S	AT52447 JOHND	472164!
AR26480 JOHND	200855	AR7241E0 NOK	340823	AT12889 JOHND	1049	AT53802 JOHND	455056
AR26480R JOHND	200855	AR7277E0 NOK	240731	AT12996 JOHND	416292=	AT54995 JOHND	392077 *=
AR26482R JOHND	473459=	AR7302E NOK	46997S	AT13014 JOHND	41026S	AT55472 JOHND	417349!
AR26706 JOHND	415991	AR7382E0 NOK	472185!	AT13063 JOHND	471466	AT59652 JOHND	471267!
AR26939R JOHND	470898	AR7383E NOK	472185!	AT13063T JOHND	471466	AT61250 JOHND	315364 *=
AR27446 JOHND	200948	AR74485 JOHND	JX1141	AT13077 JOHND	254270	AT6550A GMC	473459
AR27446R JOHND	200948	AR74813 JOHND	471271!	AT13161 JOHND	415263	ATC7064 LEYLD	470898
AR27806 JOHND	7208S	AR78189 JOHND	416865!	AT13161T JOHND	473237!	ATN082 RFT	713041
AR28201R JOHND	417484!	AR78259 JOHND	455330!	AT13306T JOHND	471504	ATN090 RFT	223014
AR2908E NOK	40401	AR7901E NOK	253099	AT1393 GR-DV	415995!	ATN123 RFT	223035
AR2908E0 NOK	40401	AR7901E0 NOK	253099	AT1393 GR-DV	415995!	ATN129 RFT	223535
AR2915E NOK	40360S!	AR79581 JOHND	416327	AT13945 JOHND	471737	ATN132 RFT	713047
AR2915E0 NOK	40360S!	AR8081E0 NOK	7399S!	AT13945T JOHND	471737	ATN202 RFT	713152
AR29326 JOHND	240735	AR84782 JOHND	416476 *=	AT13956 JOHND	415995!	ATN227 RFT	713120
AR29326R JOHND	240735	AR84783 JOHND	5615 *=	AT13956 JOHND	415995!	ATN230 RFT	713013
AR31882R JOHND	5666	AR85311 JOHND	416332!	AT13956T JOHND	415995!	ATN342 RFT	713098
AR3329E NOK	405555	AR87199 JOHND	416332!	AT13956T JOHND	415995!	ATN353 RFT	231402
AR3329E NOK	405555S!	AR88797 JOHND	417601 *=	AT13960T JOHND	471272!	ATN355 RFT	713105
AR3329E0 NOK	405555	AR92893 JOHND	5625	AT13963 JOHND	472439	ATN366 RFT	713110
AR3329E0 NOK	405555S!	AR92894 JOHND	5625	AT14199 JOHND	486544N=	ATN368 RFT	713112
AR389R JOHND	471570!	AR94262 JOHND	417343!	AT14199T JOHND	486544N=	ATN371 RFT	713068
AR39043 JOHND	471442!	AR94610 JOHND	472157	AT14664 JOHND	471765!	ATN382 RFT	713014
AR39052 JOHND	471224!	AR94610 JOHND	472157!	AT14831 JOHND	473214	ATN387 RFT	229006
AR39117 JOHND	471652	AR963R JOHND	40169S	AT14831T JOHND	473214	ATN395 RFT	713102
AR40687 JOHND	311189	AR98649 JOHND	416332!	AT14835T JOHND	416891!	ATN396 RFT	713149
AR40737 JOHND	471271!	AREX80020 JOHND	5976S	AT14841 JOHND	471341!	ATN397 RFT	231404
AR41795 JOHND	471504	ARX99437 JOHND	415021	AT14841T JOHND	471341!	ATN401 RFT	231250
AR42005 JOHND	415995!	ARX99437A JOHND	415035!	AT14924T JOHND	472164!	ATN402 RFT	713121
AR42005 JOHND	415995!	ARX99437A JOHND	415035	AT15561 JOHND	323138!	ATN407 RFT	713080
AR42330 JOHND	455151	AS44201 WGEAR	473229	AT15790 JOHND	6863S!	ATN414 RFT	710384
AR44137 JOHND	417563	AS4508945 GMC	7141=	AT16431 JOHND	417344!	ATN417 RFT	713108
AR44138 JOHND	416380!	AS4508EF-945 GMC	7141=	AT16431T JOHND	417344!	ATN438 RFT	229005
AR44949 JOHND	5666	AS49838 C-P	451583!	AT16887 JOHND	415458!	ATN441 RFT	713137
AR44950 JOHND	5666	AS7927 AVCO	415458!	AT17325T JOHND	471413!	ATN451 RFT	713147
AR45399 JOHND	415371	AS96417 C-P	340817	AT18387 JOHND	415458!	ATN455 RFT	713094
AR45401 JOHND	416339	ASF5726 AU-WS	472636!	AT18387T JOHND	415458!	ATN457 RFT	713144
AR46102 JOHND	45031S	ASF5727A AU-WS	415458!	AT18508T JOHND	473203	ATN459 RFT	713092
AR48946 JOHND	5666	ASF5853 AU-WS	417344!	AT18555T JOHND	472164!	ATN466 RFT	713145
AR49025 JOHND	450129	ASF5853A AU-WS	417344!	AT195T JOHND	345146	ATN471 RFT	713107
AR49025 JOHND	472826!	ASF5979 AU-WS	471689	AT20702 JOHND	471272!	ATN477 RFT	713125
AR49025 JOHND	5666	ASF5979A AU-WS	471689	AT20703 JOHND	200133	ATP506 RFT	713027
AR49592 JOHND	200855	ASF6000 AU-WS	473228	AT21143T JOHND	473203	ATP507 RFT	713028
AR51561 JOHND	412473!	ASF6000A AU-WS	473228	AT21608 JOHND	471272	ATP514 RFT	713039
AR515N JOHND	712270	ASF6001 AU-WS	474274	AT21693 JOHND	411500	ATP517 RFT	713087
AR52224 JOHND	472258!	ASF7590A AU-WS	471766	AT21780 JOHND	471652	ATP528 RFT	713114
AR52258 JOHND	417563	ASF8908 AU-WS	80313	AT22639 JOHND	471224!	ATP536 RFT	713150
AR52259 JOHND	416380!	ASF9155 B-L-H	415449!	AT22964 JOHND	714750	ATP547 RFT	713117
AR531 JOHND	472287!	AT10344T JOHND	472193!	AT22965 JOHND	415138!	ATP551 RFT	223275
AR531R JOHND	472287!	AT1106Z OWS	474276!	AT25329 JOHND	43290S	ATP553 RFT	224025
AR56967 JOHND	417210!	AT11492T JOHND	472560N!	AT25331 JOHND	416664!	ATP554 RFT	713118
AR56967 JOHND	486985=	AT11665T JOHND	481163!	AT25585 JOHND	472446	ATP558 RFT	713154
AR58155 JOHND	417254	AT11676T JOHND	473517!	AT344T JOHND	410059	ATP572 RFT	713119
AR58512 JOHND	455576!	AT11888 JOHND	472287!	AT344T JOHND	470380!	ATP575 RFT	713051
AR58716 JOHND	3492V	AT11927 JOHND	6703S	AT34656 JOHND	415995!	ATP576 RFT	224220
AR608R JOHND	471763	AT11979T JOHND	473459	AT34656 JOHND	415995!	ATP580 RFT	713122
AR618R JOHND	451583!	AT119T JOHND	471766!	AT353 MINNM	472258	ATP585 RFT	713055
AR62328 JOHND	470954!	AT12341T JOHND	472185=	AT36255 JOHND	412920!	ATP587 RFT	713060
AR64671 JOHND	471231!	AT12427 JOHND	410825	AT36612 JOHND	472397!	ATP596 RFT	713065
AR66751 JOHND	417621!	AT12427T JOHND	410825	AT38188 JOHND	473313!	ATP597 RFT	713020
AR66752 JOHND	416888!	AT12431 JOHND	472185=	AT39319 JOHND	455056	ATP602 RFT	713126
AR67942 JOHND	471272=	AT12431T JOHND	472185=	AT39525 JOHND	410825	ATP606 RFT	226480
AR6868E NOK	473237!	AT12520 JOHND	471138=	AT40603 JOHND	471984	ATP611 RFT	713131
AR6868E1 NOK	473237!	AT12540T JOHND	471138!	AT40731 JOHND	415066	ATP621 RFT	713133
AR69354 JOHND	3275=	AT12541 JOHND	417316!	AT43415 JOHND	415995 *=	ATP623 RFT	713085
AR69355 JOHND	3203=	AT12541T JOHND	417316!	AT43738 JOHND	471692=	ATP626 RFT	713077

! Industrial Size/Type * Minor Width Difference = Call 1-800-480-1212 for price and delivery.

ALPHABETICAL

Zero Duplication or Recommended		Zero Duplication or Recommended		Zero Duplication or Recommended		Zero Duplication or Recommended					
Mfr. No.	Name	Industrial	Mfr. No.	Name	Industrial	Mfr. No.	Name				
ATP628	RFT	713136	ATY13960T	JOHND	471272!	AW194410	CLARK	471271!	AX82405	ALLCH	471763
ATP635	RFT	713088	ATY1535B	JOHND	471766!	AW194411	B-L-H	417621!	AX91827	ALLCH	417278
ATP643	RFT	713089	ATY20047A	JOHND	472164!	AW194412	B-L-H	415442!	AX91998	ALLCH	416664!
ATP648	RFT	713101	ATY20176B	JOHND	472164!	AW194412	CLARK	415442!	AX9209	GMC	6358
ATP649	RFT	713109	ATY21425A	JOHND	352541	AW194414	B-L-H	415146!	AX92276	ALLCH	450084!
ATP661	RFT	713129	ATY21484A	JOHND	472560N!	AW194414	B-L-H	415991	AXA0043	FRUEH	376590A
ATP672	RFT	713008	ATY21524A	JOHND	352541	AW194414	CLARK	415146!	AXA0043-1	FRUEH	376590A
ATP675	RFT	713116	ATY22340A	JOHND	470954!	AW194414	CLARK	415991	AXA3271	GMC	471652
ATP676	RFT	713005	ATY22413A	JOHND	471766!	AW194415	B-L-H	415138!	AXA7317	BENDI	471141!
ATP677	RFT	713037	ATY22428B	JOHND	473214	AW194415	CLARK	415138!	AXS115	COC	410308!
ATP692	RFT	222510	ATY3502	JOHND	473234	AW194417	B-L-H	471271!	AXS126	COC	471554!
ATP703	RFT	713021	ATY3534	JOHND	470625!	AW194417	CLARK	471271!	AXS188	COC	471750!
ATP708	RFT	713139	ATY3535A	JOHND	472924!	AW194418	B-L-H	470625!	AXS268	COC	415458!
ATP715	RFT	713019	ATY3557A	JOHND	471192	AW194418	CLARK	470625!	AXS269	COC	415458!
ATP717	RFT	713032	ATY3558A	JOHND	471224!	AW194426	B-L-H	416664!	AXS270	COC	472492!
ATP718	RFT	713048	ATY3737A	JOHND	471570!	AW194426	CLARK	415085!	AXS33	COC	471766!
ATP776	RFT	713056	ATY3915	JOHND	473445	AW194430	B-L-H	471138!	AXS34	COC	471870!
ATP777	RFT	713061	ATY3917	JOHND	410496!	AW194430	CLARK	471138!	AZ1026A	EATON	471554!
ATP781	RFT	713082	ATY4003	JOHND	470334!	AW194431	B-L-H	417343!	AZ1787F	NOK	710068
ATP788	RFT	713130	ATY4841A	JOHND	345146	AW194431	CLARK	417343!	AZ1787F0	NOK	710068
ATP789	RFT	713156	ATY5135B	JOHND	471766!	AW194434	B-L-H	415995!	AZ2245E	NOK	223842
ATP790	RFT	226480	ATY513S	JOHND	471766!	AW194434	CLARK	415995!	AZ2254G	NOK	710509
ATP800	RFT	713141	ATY5219B	JOHND	473231	AW194435	B-L-H	473237!	AZ3320H	JOHND	471765!
ATP805	RFT	713099	ATY5317	JOHND	472924!	AW194435	CLARK	473237!	AZ41341	JOHND	125X150X12!
ATP814	RFT	713011	ATY5503	JOHND	472287!	AW194436	B-L-H	470954!	AZ6886E	NOK	5131
ATP835	RFT	713042	ATY6517A	JOHND	471766!	AW194436	CLARK	470954!	AZ6886E0	NOK	5131
ATP838	RFT	713006	ATY6517F	JOHND	410059	AW194439	B-L-H	472015!	AZ6919E	NOK	1952
ATP841	RFT	224025	ATY6517F	JOHND	470380!	AW194439	CLARK	472015!	AZ6919E0	NOK	1952
ATP852	RFT	713016	ATY6563B	JOHND	323138!	AW194440	B-L-H	417349	AZ7283E0	NOK	2300
ATP856	RFT	226480	ATY6577B	JOHND	340853	AW194440	CLARK	417349!	AZ7595E	NOK	200371
ATP857	RFT	713096	ATY7517A	JOHND	471766!	AW194441	B-L-H	476470!	AZ7595E0	NOK	200371
ATP861	RFT	713072	ATY9242A	JOHND	471763	AW194441	B-L-H	476470	AZ8045E	NOK	2016
ATP864	RFT	713081	ATY9243A	JOHND	470950!	AW194441	CLARK	476470	AZ8045E0	NOK	2016
ATP867	RFT	713075	ATY9243A	JOHND	6241S	AW194442	B-L-H	416664!	AZ8415E0	NOK	5131
ATP869	RFT	713143	ATY9244A	JOHND	473231	AW194442	CLARK	416664!	AZ8443E	NOK	2300
ATP870	RFT	713090	ATY9245A	JOHND	472164!	AW194443	B-L-H	417172	B-0010	GRAM	471532
ATP880	RFT	713004	ATY9245B	JOHND	472164!	AW194443	CLARK	417172	B-1865	KEWNE	450984
ATP881	RFT	713146	AU42507	JOHND	472636	AW2732E	NOK	710191	B-DO301	WAUKE	470088
ATP884	RFT	713124	AU43436	JOHND	392076 * =	AW2864E	NOK	225040	B-L137A	BR-WN	473213!
ATP886	RFT	713038	AU43766	JOHND	200870	AW3003E0	NOK	710021	B006	VIC	HU012A
ATP888	RFT	713009	AUC1AK9424	WHITE	472572!	AW337787	CHRY	710182	B007	VIC	HU013A
ATP889	RFT	713104	AW10266	JOHND	473460	AW337788	CHRY	710183	B05761	PAARS	415058
ATPC258511AV	Y-T	455253	AW10327W	JOHND	471795	AX10474	ALLCH	471391!	B059	VIC	H075
ATV901	RFT	713010	AW10433	JOHND	450065	AX10834	ALLCH	416664!	B100006CA	SPG	710043
ATV903	RFT	713052	AW10434	JOHND	40183S!	AX13068	ALLCH	473441	B100165RE0	SPG	100165
ATV911	RFT	713086	AW14092	AU-WS	417316!	AX1805D-472	ROCKW	455434	B1003	HUGKE	416339
ATV916	RFT	713106	AW194014	AU-WS	415995!	AX1805E-473	ROCKW	415035	B1003	HUGKE	455031!
ATV930	RFT	713022	AW194066	B-L-H	473450	AX1805W-465	ROCKW	415960!	B100318RER	SPG	4614N
ATV950	RFT	713083	AW194198	B-L-H	470954!	AX18583	ALLCH	417349	B100357VA8	SPG	100357
ATV952	RFT	713084	AW194198	CLARK	470954!	AX24100	ALLCH	J1086 =	B100552VJ0	SPG	100552
ATV960	RFT	713093	AW194204	B-L-H	416404!	AX241001	ALLCH	J1118	B100713VAA8	SPG	100713V
ATV961	RFT	713078	AW194204	CLARK	416404!	AX25957	ALLCH	417316!	B103254	BENDI	472636!
ATV992	RFT	713142	AW194218	B-L-H	472492!	AX27019	ALLCH	471224!	B1043	HU-WR	471820
ATV993	RFT	713140	AW194224	B-L-H	471267!	AX2712601	ALLCH	471442!	B1065	ACF	473462
ATV997	RFT	713071	AW194234	B-L-H	417349	AX317830	ACDEL	J1105	B1094	OLIVE	471192
ATV998	RFT	713033	AW194250	B-L-H	413247!	AX317830	GMC	J1105	B10P88H	IH	416654!
ATV999	RFT	713148	AW194256	B-L-H	415991	AX411	IH	5836	B1110A	OLIVE	415991
ATY10746	JOHND	417316!	AW194256	B-L-H	455146!	AX510	IH	6358	B1110A	OLIVE	455146!
ATY11170A	JOHND	417316!	AW194294	B-L-H	415035	AX57252	ALLCH	476470!	B112306	OLIVE	470059
ATY11172A	JOHND	472287!	AW194294	B-L-H	415035!	AX57252	ALLCH	476470	B112306	OLIVE	470380!
ATY11173A	JOHND	470625!	AW194296	B-L-H	417351!	AX57280	ALLCH	473197	B1175	FORD	416738!
ATY11174A	JOHND	470712!	AW194314	B-L-H	413469!	AX62651	ALLCH	416292	B1175	FORD	450096
ATY11176A	JOHND	450400	AW194332	B-L-H	471271!	AX64701	ALLCH	415937!	B12424	BUC-E	470954
ATY11176A	JOHND	450400	AW194336	B-L-H	416919	AX66089	JOHND	471554!	B12536X	WHITE	411253!
ATY11180	JOHND	473215!	AW194338	B-L-H	416956	AX72933	ALLCH	415213N	B12571	CASE	455019!
ATY11345A	JOHND	240735	AW194354	AU-WS	55301S	AX74574	JOHND	471224!	B12598X	WHITE	415960!
ATY11402A	JOHND	470954!	AW194374	B-L-H	480210!	AX76253	ALLCH	415832	B126	OLIVE	473467!
ATY11519A	JOHND	473459	AW194380	B-L-H	470625!	AX76560	ALLCH	415627	B12912	WHITE	415960!
ATY11738A	JOHND	471737	AW194388	B-L-H	7208S	AX76728	ALLCH	416921!	B1311	HU-WR	473457!
ATY12170A	JOHND	471766!	AW194408	B-L-H	476470	AX81489	ALLCH	473016!	B13247B	JOHND	200371
ATY12340A	JOHND	254287	AW194408	CLARK	476470	AX81708	ALLCH	471424!	B132703M	GMC	473225!
ATY12340AA	JOHND	254287	AW194410	B-L-H	471271!	AX81725	ALLCH	417349!	B132703T	CASE	415064

! Industrial Size/Type * Minor Width Difference = Call 1-800-480-1212 for price and delivery.

Zero Duplication or Recommended		Zero Duplication or Recommended		Zero Duplication or Recommended		Zero Duplication or Recommended					
Mfr. No.	Name	Mfr. No.	Name	Mfr. No.	Name	Mfr. No.	Name				
B132704A	B-L-H	473458!	B18378	WHITE	415995!	B370015BG	SPG	370015A	B4245A2	FORD	450044
B132704AA	B-L-H	417485	B18403	WHITE	412119!	B370018BG	SPG	418028	B430	ITM	1097N
B132704AB	B-L-H	416921!	B1AZ7052B	FORD	410059	B370019BG	SPG	370019A	B443VDO	SPG	4434V
B132704AC	B-L-H	416654!	B1AZ7052B	FORD	470380!	B370020BG	SPG	370020A	B4525VAO	SPG	4525V
B132704AD	B-L-H	415995!	B203	ITM	330385!	B370022BG	SPG	416892	B453106	CONCA	415128
B132704AE	B-L-H	455019!	B20374	WHITE	7208S	B370023BG	SPG	370023A	B4551	WAUKE	473215!
B132704AF	B-L-H	455020	B20376	WHITE	5965	B370024BG	SPG	417505	B45558	VIC	13338
B132704AG	B-L-H	415021	B20377	WHITE	455134!	B370025BG	SPG	416158	B45684	VIC	35327
B132704AH	B-L-H	455022	B2054BGR	SPG	6358	B370026BG	SPG	370026A	B4569VJ	SPG	714569
B132704AK	B-L-H	415023	B2082BGR	SPG	9128S	B370027BG	SPG	370027A	B45856	VIC	TCS45868
B132704AL	B-L-H	455024	B2082BX	SPG	2082	B370028BG	SPG	416865	B4613R	SPG	4613N
B132704AM	B-L-H	415025	B2082BXR	SPG	9128S	B370029BG	SPG	370029A	B4613RER	SPG	4613N
B132704B	B-L-H	450084!	B20B	FUNK	413247!	B370030BG	SPG	370030A	B4613RFR	SPG	4613N
B132704D	B-L-H	473462	B21461	WGEAR	472560N!	B370031BG	SPG	415058	B4614R	SPG	4614N
B132704E	B-L-H	472924!	B21479	WHITE	412920!	B370033BG	SPG	370033A	B4614RER	SPG	4614N
B132704E	CLARK	472924!	B2155BJ	SPG	2155	B370034BG	SPG	370034A	B4675VD8	SPG	714675
B132704F	B-L-H	470530!	B2155BJR	SPG	5089	B370036BG	SPG	370036A	B4679RFR	SPG	714679
B132704G	B-L-H	410102	B23003	BOSTN	340771	B370037BG	SPG	370037A	B4725	WAUKE	450593!
B132704H	B-L-H	416738!	B23377	WHITE	455022	B370043BG	SPG	370043A	B4729	ALLCH	415449!
B132704H	B-L-H	450096	B23525	WHITE	415960!	B370046BG	SPG	370046A	B4738RFR	SPG	4738N
B132704K	B-L-H	413469!	B23915	WHITE	412119	B370047BG	SPG	370047A	B4832CAR	SPG	472572
B132704L	B-L-H	412943	B2424	TMTR	471413	B370048BG	SPG	370048A	B4857VJ8	SPG	4857
B132704M	B-L-H	411253!	B24269	WHITE	411253!	B370051BG	SPG	370051A	B490	ACF	40468
B132704N	B-L-H	410694!	B25212	VIC	13069	B370054BG	SPG	370054A	B4939	ALLCH	470898!
B132704P	B-L-H	412119!	B256	OLIVE	470334!	B370057BG	SPG	370057A	B4A6348A	FORD	5479\$
B132704Q	B-L-H	417073	B256A	OLIVE	471649!	B370063BG	SPG	416865	B4A6701A	FORD	5479\$
B132704R	B-L-H	415001!	B2756R	SPG	2756N	B370064BGR	SPG	370064A	B4AZ6336B	FORD	5479\$
B132704S	B-L-H	415988	B275A	OLIVE	474279N	B370065BG	SPG	370065A	B4J1175A	FORD	415857!
B132704T	B-L-H	415458!	B275B	OLIVE	50199S!	B370066BG	SPG	417507	B4Q1144A	FORD	5487\$
B132704U	B-L-H	455008	B275B	OLIVE	6863S!	B370069BG	SPG	370069A	B4Q1174A	FORD	5487\$
B132704X	B-L-H	415960!	B2TZ1175A	FORD	415960	B370078BGR	SPG	370078A	B4Q1175B	FORD	455858
B13281	CASE	204013	B302	NATL	B300	B370086BG	SPG	370086A	B4Q7288A	FORD	471267!
B13281P	CASE	204013	B302	WMG	B300	B370094BG	SPG	370094A	B4Q7918A	FORD	415449!
B13307	WHITE	417537	B307	ALLCH	472439	B370106BG	SPG	370106A	B4T1181A	FORD	5487\$
B13307X	WHITE	417537	B309	ALLCH	471442!	B370107BG	SPG	370107A	B4T4676A	FORD	410737!
B13310	WHITE	417278	B313	HYST	473449!	B370109BGR	SPG	370109A	B4TZ1001A	FORD	5487\$
B13332	WHITE	416288!	B31311	JOHND	200392	B370119BGR	SPG	370119A	B504	ALLCH	416888!
B137	O-M	482309	B31312	JOHND	200371	B370120BG	SPG	370120A	B510	HU-WR	470059
B137A	JNSON	471648	B32038	WHITE	411253!	B370121BG	SPG	370121A	B510	HU-WR	470380!
B13819	CASE	5458\$	B32039	WHITE	455280	B370124BG	SPG	370124A	B521	HU-WR	415116
B13876	JOHND	204029	B32040	WHITE	415960!	B370131BG	SPG	370131A	B529116	B-L-H	415449!
B13876	JOHND	204507!	B32041	WHITE	416288!	B370132BG	SPG	370132A	B538	HU-WR	470086
B13876B	JOHND	204029	B32042	WHITE	417082	B370145BG	SPG	370145A	B5502	WAUKE	471137
B13876B	JOHND	204507!	B32043	WHITE	417485	B370150BG	SPG	370150A	B572	HU-WR	470050
B1424	ALLCH	416888!	B32044	WHITE	410496!	B370165BG	SPG	415958	B58260	BENDI	410694!
B1443	OLIVE	415449!	B32045	WHITE	415995!	B370166BGR	SPG	370166A	B58693	KELSE	350936
B1451	CR-CF	472439	B32046	WHITE	412119!	B370195VG	SPG	370195A	B5A1190A	FORD	6815
B1452	CR-CF	471137	B320475	SPG	44X62X8!	B370199V	SPG	370199A	B5A4676A	FORD	6808N
B1458	ALLCH	471765!	B32073	WHITE	412119!	B370199VG0	SPG	370199A	B5A7657A	FORD	7300S
B1459	ALLCH	473426	B32076	WHITE	412119!	B370199VR	SPG	370199A	B5A77288A	FORD	240816
B1464	ALLCH	471466!	B3250	WHITE	415960!	B370211V	SPG	370211A	B5A77362B	FORD	25598
B1479	ALLCH	471652	B3250617	IH	472560N!	B370212V	SPG	370212A	B5A77837A	FORD	473459
B149A	BR-WN	473238	B3267	WAUKE	450033	B370215VX	SPG	417544	B5AZ1190A	FORD	6815
B150683K	CONTI	471413!	B3271	WAUKE	471554!	B370338BG	SPG	370338A%	B5AZ7052A	FORD	473234!
B1517	HU-WR	415458!	B3281	WAUKE	476838!	B370349BG	SPG	370349A%	B5AZ7657A	FORD	7300S
B1520	HU-WR	472572!	B339R	JOHND	411253!	B370352BG	SPG	370352A	B5AZ7A248A	FORD	473459
B152012EX	OLIVE	470059	B3459RFR	SPG	3459	B376590BG	SPG	376590A%	B5AZ7A294A	FORD	25598
B152012EX	OLIVE	470380!	B3693M	ATIM	352541	B3830	ALLCH	416888!	B5D4676A	FORD	6808N
B1524	ALLCH	451583!	B370001BG	SPG	370001A	B3857	WAUKE	470530!	B5QH1190A	FORD	6638S
B15300B	JOHND	200392	B370002BG	SPG	370002A	B3945RAR	SPG	3945	B5T7274A	FORD	6847S
B16154P	CASE	415254	B370003BG	SPG	370003A	B396	F-R-H	415645!	B5T7274B	FORD	471267!
B16159	CASE	471413!	B370004BG	SPG	370004A	B396	F-R-H	455104	B5TZ4676A	FORD	6808N
B16407	CASE	471787!	B370005BG	SPG	370005A	B397	F-R-H	415036	B60305	BENDI	471442!
B166564	HEIL	370036A	B370006BG	SPG	370006A	B399R	JOHND	411253!	B6107	GEM	417267
B17547	WHITE	410496!	B370007BG	SPG	370007A	B3AZ3B592A	FORD	470954	B65468	BENDI	411253!
B17553	WHITE	415196!	B370008BG	SPG	370008A	B3TZ7A011A	FORD	410308!	B66809	BENDI	472705!
B17579	WHITE	416167!	B370008BG1	SPG	370008A	B4142	WAUKE	471549!	B67315	BENDI	411253!
B17767	WHITE	415645!	B370009BG	SPG	417506	B4150RFR	SPG	4150N	B67338	BENDI	470590
B17767	WHITE	455104	B370010BG	SPG	417134	B4150RFR	SPG	710096	B683	MINNM	340771
B17909	US-EL	470712!	B370011BG	SPG	370011A	B41511P	MID-R	473016!	B683	WHITE	340771
B18319	US-EL	412943	B370012BG	SPG	370012A	B4243VGR	SPG	713750	B693	HOUGH	472924!
B18338A	US-EL	415988	B370014BG	SPG	417172	B4245A1	FORD	450044	B693	OLIVE	472924!

! Industrial Size/Type % Spindle Mount \$ F-M Number Is Part Of A Kit = Call 1-800-480-1212 for price and delivery.

ALPHABETICAL

Zero Duplication or Recommended		Zero Duplication or Recommended		Zero Duplication or Recommended		Zero Duplication or Recommended					
Mfr. No.	Name	Mfr. No.	Name	Mfr. No.	Name	Mfr. No.	Name				
B6938	WAUKE	471570!	B85786	WHELA	417262!	BA1607E	NOK	415284	BCC112A0	NOK	50X72X8!
B6981	WAUKE	473444	B85788	WHELA	455397	BA1607E0	NOK	415284	BCC176A	NOK	40X62X8!
B6982	WAUKE	473367!	B85789	WHELA	415551	BA2990E0	NOK	710092	BCC176A0	NOK	40X62X12!
B6982	WAUKE	473367!	B866504	BENDI	472354!	BA3115E0	NOK	226610	BCC261A0	NOK	70X110X10!
B6A3591A	FORD	240356	B870	HU-WR	473214	BB0150E	NOK	471705!	BCC300A0	NOK	45X60X10!
B6A4676A	FORD	5778	B88372	BENDI	473473	BB0150E0	NOK	471705!	BCC458A0	NOK	75X95X10!
B6J1175A	FORD	416297	B8851	WHITE	415142	BB0504E	NOK	416956	BD-3277-G	NOK	712938
B6Q1174A	FORD	5487\$	B889864	BENDI	350909	BB0504E0	NOK	416956	BD0053E0	NOK	470706=
B6Q1175A	FORD	455858	B889864	BENDI	471224!	BB0553X	NOK	455022	BD0380E	NOK	473473
B6Q3591A	FORD	7537S	B8A12143A	FORD	13069	BB0553X0	NOK	455022	BD0380E0	NOK	473473
B6QH1174A	FORD	6532S=	B8A4676A	FORD	6930	BB0562X	NOK	456305	BD1105E0	NOK	8597S
B6T1181A	FORD	5487\$	B8A4676B	FORD	7044NA	BB0562X0	NOK	456305	BD1295E0	NOK	7013S
B70436	CONCA	450165	B8AZ6701A	FORD	5112	BB0682X	NOK	417518	BD1355F	NOK	451845
B70436	CONCA	471801!	B8AZ6701A	FORD	5112S	BB0682X0	NOK	417518	BD1380E0	NOK	471652
B71094	CONCA	471750!	B8E77497A	FORD	424	BB0897E	NOK	455480!	BD1593-RO	NOK	1884
B71454	CONCA	472164!	B8QH1175A	FORD	415351!	BB0897E0	NOK	455480!	BD1666E	NOK	5695
B71459	CONCA	470625!	B8QH1175B	FORD	370004A	BB0898E	NOK	417562	BD1694E	NOK	225220
B71460	CONCA	471570!	B8QH1190A	FORD	416130!	BB0898E0	NOK	417562	BD1694E0	NOK	225220
B76414	BENDI	471730	B8QH4676A	FORD	416282	BB1021	HU-WR	476470	BD1694F	NOK	1884
B77413	BENDI	415991	B8QH4676B	FORD	415458!	BB1022	HU-WR	415991	BD1695E	NOK	4899
B77413	BENDI	455146!	B8QH4813A	FORD	417484!	BB1022	HU-WR	455146!	BD1695E0	NOK	4899
B7785	WHITE	416339	B8QH6700A	FORD	413246	BB1033	HU-WR	450133	BD1868E	NOK	5695
B7785	WHITE	455031!	B8QH7288A	FORD	240733	BB1036E0	NOK	476470	BD1868E0	NOK	5695
B7822	WAUKE	471750!	B8QH7288B	FORD	471570!	BB1175C	FORD	5751	BD1962E	NOK	710411
B792	HU-WR	411253!	B8QH7912A	FORD	417316!	BB1175C	KELSE	5751	BD2106E0	NOK	41X55X7!
B79211	BENDI	471688	B8QH7918A	FORD	417316!	BB1185E0	NOK	471267!	BD2332E0	NOK	225650
B79699	BENDI	470774!	B8QH7918B	FORD	415449!	BB1191E0	NOK	17X27X7	BD2332E0	NOK	56X72X11.5!
B7A1177A	FORD	473228	B8TZ4676A	FORD	415458	BB16277	DIA	473228!	BD2332G	NOK	710069
B7A1177B	FORD	9568	B8TZ4676B	FORD	415458	BB1722	DIA	473215!	BD2349E0	NOK	1126
B7A1177B1	FORD	9568	B8TZ7052A	FORD	417316!	BB1730	DIA	450593!	BD2357E	NOK	224400
B7A4676A	FORD	6930	B8TZ7052B	FORD	415449!	BB1747	DIA	471141!	BD2357E0	NOK	224400
B7A7047A	FORD	471652	B90145	CONCA	471750!	BB21723	DIA	472409!	BD2357F0	NOK	224045
B7A7047A	FORD	482208!	B90146	CONCA	473467!	BB22257	DIA	417181!	BD2497G	NOK	710144
B7A77497A	FORD	421	B90668EX	OLIVE	473228	BB22274	DIA	415991	BD2497H	NOK	710186
B7AZ7A283A	FORD	471652	B96405	BENDI	417485	BB22274	DIA	455146!	BD2499E	NOK	710152
B7AZ7A283A	FORD	482208!	B9733005	MWKE	481537	BB23710	DIA	471760	BD2499E0	NOK	710152
B7AZ7A283B	FORD	471652	B9733006	KELSE	46997S	BB23769	DIA	471795	BD2564F0	NOK	1205
B7AZ7A283B	FORD	482208!	B9733008	KELSE	45187S	BB26040	DIA	410496!	BD2564F0	NOK	1205N
B7C1190A	FORD	44053	B9848	WHITE	455280	BB26249	DIA	418028	BD2605E0	NOK	1971
B7T1190A	FORD	44052	B985721	BENDI	471413	BB26249	DIA	455137!	BD2650F	NOK	710284
B7T3591A	FORD	471224!	B985722	BENDI	471264	BB27207	DIA	473473	BD2716E	NOK	710142
B7T7048A	FORD	415988	B98907	BENDI	473458!	BB29261	DIA	50075=	BD2716E0	NOK	710142
B7TZ1174A	FORD	6532S=	B9A77837A	FORD	331107N	BB4686	FORD	472287!	BD2737	NOK	1213N
B7TZ1190A	FORD	6954S	B9AP7A248A	FORD	473459	BB51HE	TW-DI	417354!	BD2737E	NOK	1213N
B7TZ7A011A	FORD	415988	B9AZ3591A	FORD	240151	BB5232	DIA	415960	BD2737E0	NOK	40X54X6!
B7TZ7A248A	FORD	412119!	B9AZ7A248A	FORD	473459	BB6063	DIA	415001!	BD2766E	NOK	4899
B7Y1190A	FORD	6954S	B9C1190A	FORD	442380	BB6210	DIA	472164!	BD2992E0	NOK	223554
B80012	CONCA	472924!	B9C4224A	FORD	40769S	BB6256	DIA	415449!	BD2992E0	NOK	710419
B800409-011-060	FRUEH	472164!	B9C7288B	FORD	470954	BB7830E	NOK	417158!	BD2992F	NOK	223554
B800409-011-061	FRUEH	472164!	B9MZ3A718A	FORD	240151	BB8463E0	NOK	350435	BD2992F	NOK	710419
B800409-011-062	FRUEH	416339	B9QH12143A	FORD	427RR	BBB307A0	NOK	334111	BD3063E	NOK	712011
B800409-011-062	FRUEH	455031!	B9QH4813A	FORD	471271!	BBB560A0	NOK	20X31X7	BD3063E0	NOK	712011
B800409011065	FRUEH	415150!	B9T1181A	FORD	7154S	BC0595E	NOK	415027!	BD3063F	NOK	712011
B80179AA	PARK	7639S	B9T4813A	FORD	10049S	BC0595E	NOK	415027	BD3120E	NOK	1941
B82491	BENDI	411500	B9T4813A	FORD	417349	BC0595E0	NOK	415027	BD3123E0	NOK	1935
B826563	BENDI	471413	B9T6700A	FORD	413246	BC0595E0	NOK	415027!	BD3126E0	NOK	1941
B83064	BENDI	412473!	B9TE6700A	FORD	350936	BC1122E	NOK	223550	BD3127E0	NOK	1928
B83542	BENDI	476470	B9TE6700A1	FORD	350936	BC1122E0	NOK	35X58X10	BD3196E0	NOK	48X65X10!
B8423	WAUKE	473407	B9TT3254A	FORD	40769S	BC1122F	NOK	223550	BD3236E0	NOK	225410
B85770	WHELA	415449!	B9TT4676A	FORD	472016	BC112E	NOK	223550	BD3277E	NOK	225673
B85771	WHELA	416888!	B9TT4813A	FORD	470898	BC2078E	NOK	710110	BD3277F	NOK	225673
B85772	WHELA	415138!	B9TZ1190A	FORD	442380	BC2078F0	NOK	34X54X9	BD3277F0	NOK	225673
B85773	WHELA	416865!	B9TZ3254A	FORD	40769S	BC2185F	NOK	1209	BD3277H0	NOK	225673
B85774	WHELA	416107!	B9TZ4676A	FORD	415483	BC3074E0	NOK	225230	BD3291E0	NOK	1964
B85774	WHELA	455073	BA0475E	NOK	480491	BC3447E0	NOK	710265	BD3291E0	NOK	1964
B85775	WHELA	416666	BA0475E0	NOK	480491	BC3472E	NOK	35X58X10	BD3298E	NOK	710151
B85776	WHELA	415294!	BA1011	HU-WR	470950!	BC3472E0	NOK	223550	BD3298E0	NOK	710151
B85777	WHELA	416364!	BA1011	HU-WR	6241S	BC3551E	NOK	225877	BD3334E	NOK	4899
B85779	WHELA	417600	BA1012	HU-WR	471766!	BC3776F0	NOK	25X62X10	BD3408E0	NOK	48X78X8!
B85782	WHELA	55239=	BA1350E0	NOK	452872=	BC4941E0	NOK	35X68X10!	BD3423	NOK	60X75X8
B85783	WHELA	415482	BA1415E	NOK	480581	BC4941E0	NOK	36X68X10	BD3423E	NOK	710093
B85785	WHELA	416654!	BA1415E0	NOK	480581	BC5936E	NOK	710522	BD3423E0	NOK	710093

! Industrial Size/Type \$F-M Number Is Part Of A Kit = Call 1-800-480-1212 for price and delivery.

Zero Duplication or Recommended		Zero Duplication or Recommended		Zero Duplication or Recommended		Zero Duplication or Recommended					
Mfr. No.	Name	Mfr. No.	Name	Mfr. No.	Name	Mfr. No.	Name				
BD3467E	NOK	710150	BE3046E	NOK	231052	BG2616E0	NOK	224254	BH1941E1	NOK	32X47X7!
BD3467E0	NOK	710150	BE3046E0	NOK	231052	BG2664E	NOK	473677	BH1952E	NOK	1036
BD3534E	VIC	4898	BE3046F	NOK	231052	BG2664E0	NOK	40X55X8	BH1952E0	NOK	1036
BD3537E	NOK	1993	BE3062E0	NOK	223840	BG2972E	NOK	1953	BH1952F0	NOK	1146
BD3537E0	NOK	1993	BE3062E0	NOK	38X58X8!	BG2972E0	NOK	42X60X7!	BH1999E	NOK	223340
BD3537F	VIC	225673	BE3062G	NOK	223842	BG3657E	NOK	222310	BH1999E0	NOK	223340
BD3543E	NOK	4898	BE3146E	NOK	224026	BG3657E0	NOK	222310	BH2006-E0	NOK	320595
BD3586E	NOK	710176	BE3309E0	NOK	40X70X8	BG3657E0	NOK	710254	BH2006G	NOK	320595
BD3665	CASE	450456!	BE3310E	NOK	710112	BG3657E02X0	NOK	222310	BH2006G0	NOK	320595
BD3856E	NOK	224870	BE3383E	NOK	224872	BG3774E	NOK	710193	BH2051E0	NOK	40X58X10!
BD3856E0	NOK	224820	BE3383E0	NOK	48X72X7!	BG3988E	NOK	710226	BH2077E	NOK	710109
BD3856E0	NOK	224870	BE3683E	NOK	710143	BG3988E01	NOK	710226	BH2077E0	NOK	710109
BD3945E	NOK	710108	BE3683E0	NOK	710143	BG4091E	NOK	710192	BH2078	NOK	34X54X9
BD3945E	VIC	710108	BE3938F	NOK	223535	BG4091E0	NOK	710192	BH2078E	NOK	710110
BD4007E	NOK	52X68X8	BE3938F0	NOK	223535	BG4678E	NOK	710301	BH2078E0	NOK	710110
BD4007E0	NOK	710292	BE4016E	NOK	225535	BG4678E0	NOK	710301	BH2078F0	NOK	710110
BD4020E	NOK	710108	BE4092E	NOK	710194	BGG283A	NOK	45X72X7!	BH2080G	NOK	710512
BD4020E0	NOK	710108	BE4092E0	NOK	50X68X8!	BGG283A0	NOK	45X72X12!	BH2118E	NOK	222830
BD4088E	NOK	710158	BE4160E	NOK	710132	BGG283A0	NOK	45X72X95	BH2118E0	NOK	222830
BD4198E0	NOK	2008	BE4225E	NOK	223540	BH-3937-E0	NOK	710442	BH2153E0	NOK	105X135X12
BD4198E0	NOK	32X54X10!	BE4344F	NOK	710208	BH-4373-F	NOK	710356	BH2153F	NOK	710349*
BD4221E	NOK	710183	BE4361E	NOK	710207	BH-4503-E0	NOK	710291	BH2153F0	NOK	710349*
BD4248E0	NOK	710251	BE4506E	NOK	710299	BH0253E	NOK	224066	BH2189	NOK	38X50X7!
BD4313E	NOK	710182	BE4506E0	NOK	710299	BH0253E0	NOK	224066	BH2189E	NOK	223801!
BD4320E0	NOK	710250	BE4692E	NOK	710198	BH0269E0	NOK	42X55X8!	BH2189E0	NOK	223801!
BD4326E	NOK	225775	BE5260E0	NOK	225650	BH0317E	NOK	710137	BH2190E	NOK	710111
BD4332E	NOK	710221	BEE008A0	NOK	60X75X8	BH0354E	NOK	55X75X10	BH2190E0	NOK	35X50X8!
BD4332E0	NOK	710221	BEE010A	NOK	75X110X10	BH0354E0	NOK	225545	BH2190E0	NOK	710111
BD4334E	NOK	710412	BEE010A0	NOK	75X110X12	BH0605	NOK	90X110X13	BH2254E	NOK	38X54X7!
BD4374E	NOK	710125	BEE020A0	NOK	45X60X10!	BH0605E	NOK	229005	BH2254E0	NOK	239146
BD4376E	NOK	710127	BEE102A	NOK	80X110X12	BH0605E0	NOK	229005	BH2254E0	NOK	38X54X10!
BD4376E0	NOK	55X68X8!	BEE102A0	NOK	80X110X10	BH0605E0	NOK	229006	BH2259E0	NOK	710332
BD4522E	NOK	710437	BEE131A0	NOK	55X72X8!	BH0605F	NOK	229005	BH2259F0	NOK	1121
BD4534E0	NOK	710412	BEE150A0	NOK	155X180X15	BH0605F0	NOK	229005	BH2259G	NOK	710332
BD4618E	NOK	1188	BEE166A0	NOK	35X72X10	BH0605G	NOK	229005	BH2259G0	NOK	710332
BE-2582-F0	NOK	710296	BEE216A0	NOK	55X90X13	BH0605G0	NOK	229005	BH2259G1	NOK	710332
BE0391F0	NOK	225872	BEE409A0	NOK	18X30X7!	BH0605I	NOK	229005	BH2264E	NOK	710233
BE1037E0	NOK	710090	BEE642A0	NOK	35X56X10!	BH0605I0	NOK	229006	BH2264E0	NOK	710233
BE1059E0	NOK	473215=	BF1060E	NOK	487945	BH0605J	NOK	229005	BH2304E0	NOK	710334
BE1192E	NOK	224874	BF1060E0	NOK	487945	BH1030E	NOK	2043	BH2304F0	NOK	710334
BE1192E0	NOK	224874	BF1102E	NOK	494123	BH1030E0	NOK	2043	BH2331E	NOK	710119
BE1192G	NOK	224815	BF1102E0	NOK	494123	BH1034E0	NOK	227610	BH2348E	NOK	228700
BE1192G0	NOK	224815	BF1102E0	NOK	51X63X8	BH1290E	NOK	2081	BH2348E0	NOK	228700
BE1391E0	NOK	472705!	BF1155E	NOK	710145	BH1290E1	NOK	2081	BH2354E	NOK	224663
BE1540E	NOK	239201	BF1155E0	NOK	710145	BH1430E0	NOK	223250	BH2370E	NOK	710138
BE1540E0	NOK	239201	BF1161E	NOK	3677	BH1430E0	NOK	710415	BH2503E	NOK	2655
BE1540F0	NOK	4175	BF1161E0	NOK	3677	BH1431E0	NOK	223602	BH2503E0	NOK	2655
BE1593E0	NOK	1975	BF1668E	NOK	710213	BH1438E	NOK	1021V	BH2506E	NOK	223220
BE1623E	NOK	2443	BF1773E	NOK	3667*	BH1438E0	NOK	1021V	BH2530E0	NOK	32X46X6!
BE1772E	NOK	222835	BF2291E0	NOK	710266	BH1443E	NOK	48X75X10	BH2576E0	NOK	52X70X8!
BE1772E0	NOK	28X44X6!	BF2526E0	NOK	80X115X12	BH1443E0	NOK	224979	BH2576E0	NOK	710187
BE2015E	NOK	222835	BF2595E	NOK	224235	BH1484E0	NOK	223340	BH2634E0	NOK	223831
BE2015E0	NOK	224872	BF2595E0	NOK	42X58X7!	BH1485E	NOK	228410	BH2634E0	NOK	38X55X7!
BE2015E0	NOK	224872	BF2596-E0	NOK	710323	BH1485E0	NOK	228410	BH2661E	NOK	223843
BE2015E0	NOK	48X72X7!	BF2596E0	NOK	51X63X8	BH1485F	NOK	228410	BH2737E	NOK	1213N
BE2305E	NOK	35X62X7!	BF2986E	NOK	710161	BH1485F0	NOK	228410	BH2737E0	NOK	40X54X6!
BE2305E0	NOK	35X65X10!	BF3705E	NOK	710159	BH1485G	NOK	228410	BH2737F	NOK	710444
BE2305F	NOK	34X62X10	BF4717E	NOK	710300	BH1485G0	NOK	228410	BH2755E	NOK	228480
BE2350E0	NOK	710118	BF4717E0	NOK	710300	BH1485I0	NOK	228410	BH2820E	NOK	710446
BE2351E0	NOK	710124	BFF282A0	NOK	51X63X8	BH1581F0	NOK	36X50X7!	BH2820E0	NOK	68X88X8!
BE2353E0	NOK	710122	BG1233	HU-WR	471224	BH1673E0	NOK	28X44X6!	BH2820E0	NOK	710446
BE2590E0	NOK	710123	BG1583E	NOK	494117	BH1742	NOK	70X92X12	BH2844E	NOK	223253
BE2605E0	NOK	710098	BG1583F0	NOK	710097	BH1742E	NOK	227045	BH2844E0	NOK	223253
BE2698E0	NOK	320564	BG2033E	NOK	1937	BH1742E0	NOK	227045	BH2845E	NOK	228250
BE2727E	NOK	225875	BG2033E0	NOK	1937	BH1742F	NOK	227045	BH2845E	NOK	710448
BE2727E0	NOK	58X75X11	BG2034E	NOK	1936	BH1818E	NOK	710318	BH2845F	NOK	228250
BE3009E	NOK	710139	BG2034E0	NOK	1936	BH1818E0	NOK	710318	BH2845F0	NOK	710448
BE3021E0	NOK	710252	BG2038E	NOK	710148	BH1882F	NOK	223602	BH2845F0	NOK	228250
BE3025G	NOK	710121	BG2038E0	NOK	710148	BH1937E	NOK	710157	BH2845F0	NOK	710448
BE3025G0	NOK	710121	BG2039E0	NOK	224772	BH1937E0	NOK	27X43X8!	BH2851E	NOK	710247
BE3033E	NOK	710073	BG2039F0	NOK	224772	BH1937E0	NOK	710157	BH2851E0	NOK	710247
BE3040F	NOK	231052	BG2257	NOK	37X52X8	BH1941E0	NOK	710310	BH2972E0	NOK	42X60X7!

! Industrial Size/Type * Minor Width Difference = Call 1-800-480-1212 for price and delivery.

ALPHABETICAL

Zero Duplication or Recommended Industrial		Zero Duplication or Recommended Industrial		Zero Duplication or Recommended Industrial		Zero Duplication or Recommended Industrial					
Mfr. No.	Name	Mfr. No.	Name	Mfr. No.	Name	Mfr. No.	Name				
BH3004E	NOK	224215	BH4270F	NOK	710517	BP13715E	JOHND	415035	BS235	MCCOR	227235
BH3004E0	NOK	224215	BH4273E0	NOK	52X72X8!	BP13715E	JOHND	415035!	BS236	MCCOR	228005
BH3004E0	NOK	42X58X7!	BH4293E	NOK	710173	BP13829	JOHND	473473	BS238	MCCOR	228020
BH3007	NOK	38X53X8	BH4293F	NOK	710173	BP13831	JOHND	415035!	BS239	MCCOR	228010
BH3007F	NOK	1120	BH4294F	NOK	224025	BP13831	JOHND	415035	BS246	MCCOR	710056
BH3007F0	NOK	1120	BH4366E	NOK	710144	BP13831E	JOHND	415035!	BS247	MCCOR	3772
BH3009F0	NOK	38X58X8!	BH4371E	NOK	3771	BP13831E	JOHND	415035	BS252	CLEVI	714750
BH3019F	NOK	710421	BH4371E0	NOK	35X50X8!	BP1471E	NOK	710303	BS253	MCCOR	BS40265
BH3022E	NOK	710234	BH4375	NOK	95X115X13	BP1481E	NOK	320603	BS255	MCCOR	BS40381
BH3022E0	NOK	710234	BH4375F0	NOK	95X115X12	BP1595E	NOK	710156	BS257	CLEVI	39807
BH3037E	NOK	710248	BH4392F0	NOK	229210	BP1908E0	NOK	31X44X8	BS257	CLEVI	39807+99599
BH3037E0	NOK	710248	BH4476E	NOK	710060	BP2151E	NOK	710155	BS258	MCCOR	BS25035
BH3040E	NOK	710268	BH4503F	NOK	710298	BP2175E0	NOK	18X32X8!	BS261	MCCOR	3909
BH3041E0	NOK	220X260X15	BH4503F0	NOK	710298	BP2285E	NOK	24X42X8	BS261	MCCOR	BS40380
BH3146E	NOK	224026	BH4505E0	NOK	710260	BP2285E0	NOK	24X42X10	BS261	MCCOR	82001
BH3146F	NOK	712551	BH4513E0	NOK	224663	BP2601	AUTSP	473238!	BS263	MCCOR	228005
BH3146H	NOK	710510	BH4519E0	NOK	229005	BP2715E0	NOK	115X145X15	BS267	MCCOR	BS16144
BH3152E	NOK	228008	BH4545E0	NOK	228010	BP2968E0	NOK	30X47X7!	BS271	MCCOR	BS16192
BH3152E0	NOK	228008	BH4546E0	NOK	710140	BP3000E	NOK	24X42X8	BS276	MCCOR	BS40387
BH3152G0	NOK	228008	BH4569E0	NOK	710238	BP3000E0	NOK	24X42X10	BS279	MCCOR	5433
BH3152H0	NOK	228008	BH4576E	NOK	1180	BP3024F0	NOK	26X38X5!	BS283	MCCOR	BS40382
BH3208E	NOK	710056	BH4592E0	NOK	223750	BP3379F0	NOK	22X35X7	BS286	CLEVI	39958
BH3208E0	NOK	710056	BH4638E	NOK	710189	BP3754E	NOK	221620	BS286	CLEVI	5624
BH3208F	NOK	710056	BH4638E0	NOK	710189	BP3881E	NOK	710153	BS290	MCCOR	473573
BH3208F0	NOK	710056	BH4660E0	NOK	42X72X10!	BP4706E0	NOK	27X43X8!	BS290	MCCOR	82027
BH3288F	NOK	46X80X8	BH4687A0	NOK	223018	BR1153E0	NOK	16X28X7!	BS292	MCCOR	228410
BH3288F0	NOK	224660	BH4701E	NOK	2012	BR1443E	NOK	224979	BS293	MCCOR	415379!
BH3289E	NOK	1019	BH4701E0	NOK	2012	BR1443E0	NOK	224979	BS301	MCCOR	5210
BH3289E0	NOK	1019	BH4718F0	NOK	710332	BR3149E	NOK	221607	BS30136	AIWDI	82003
BH3289G	NOK	1019	BH4746E	NOK	229004	BR3489E	NOK	221607	BS311	MCCOR	3698
BH3290E	NOK	1940	BH4746E	NOK	229005	BS140	CLEVI	39807	BS312	MCCOR	4307V!
BH3290E0	NOK	1940	BH4790G	NOK	710526	BS140	CLEVI	39823	BS313	MCCOR	BS40396
BH3310E	NOK	710112	BH5052E	NOK	710364	BS148	CLEVI	415284	BS314	CLEVI	3893V
BH3310E0	NOK	50X80X8	BH5052E0	NOK	710364	BS148	MCCOR	BS14803	BS314	CLEVI	39608
BH3340E	NOK	710199	BH5149F	NOK	710363	BS1500	TRUST	82003	BS315	MCCOR	3698
BH3340E0	NOK	35X54X8!	BH5149F0	NOK	710363	BS1501	TRUST	82005	BS315	MCCOR	BS40110
BH3340E0	NOK	710199	BH5278EV	NOK	710520	BS1505	TRUST	82011	BS315	MCCOR	82012
BH3475E0	NOK	35X47X7!	BH5279F	NOK	710521	BS1507	TRUST	82001	BS317	CLEVI	39807
BH3488E	NOK	224063	BHH001A0	NOK	32X47X7!	BS158	MCCOR	82017	BS317	CLEVI	39807+99599
BH3488E0	NOK	224063	BHH013-A0	NOK	228009	BS160	CLEVI	39608	BS321	MCCOR	4359V
BH3526E0	NOK	1990	BHH013-B0	NOK	228015	BS160	CLEVI	415379	BS329	MCCOR	BS40449
BH3615E0	NOK	223012	BHH013A0	NOK	80X100X10!	BS160	MCCOR	415379!	BS334	MCCOR	17720
BH3670E	NOK	710114	BHH518A0	NOK	228005	BS161	MCCOR	2377	BS336	MCCOR	17746
BH3680E	NOK	710115	BHH547A0	NOK	36X52X7	BS161	MCCOR	BS15868	BS337	MCCOR	17748
BH3687E0	NOK	224650	BHH550-A0	NOK	223420	BS161	MCCOR	82011	BS349	MCCOR	BS40617
BH3757E	NOK	223420	BHH556A	NOK	70X92X12	BS168	MCCOR	2901	BS352	MCCOR	BS40252
BH3766F	NOK	710219	BHH556A0	NOK	227045	BS168	MCCOR	82003	BS354	CLEVI	39805
BH3766F0	NOK	710219	BHH687B0	NOK	30X46X7!	BS17	MCCOR	BS1280	BS359	MCCOR	BS40604
BH3845E0	NOK	43X55X8!	BHH814-A0	NOK	1038	BS174	CLEVI	5591	BS362	MCCOR	BS40578
BH3845E0	NOK	710264	BHH815-A0	NOK	222330	BS184	MCCOR	5073	BS374	MCCOR	BS40638
BH3854E0	NOK	710234	BHH816-A0	NOK	229006	BS184	MCCOR	82022	BS377	MCCOR	BS40598
BH3882E	NOK	710236	BHH816-A0	NOK	90X110X13	BS185	MCCOR	82024	BS382	MCCOR	BS40615
BH3882F	NOK	710236	BHH817-A0	NOK	320595	BS186	CLEVI	5460	BS383	MCCOR	BS40667
BH3966E	NOK	226510	BHH819-A0	NOK	228700	BS187	MCCOR	5092	BS392	MCCOR	BS40535
BH3966E0	NOK	226510	BJ137A	JNSON	481644	BS188	MCCOR	5068	BS394	MCCOR	BS40583
BH3966HV	NOK	226510	BK15520	MACK	481568!	BS194	MCCOR	2902	BS397	MCCOR	BS40502
BH4031E0	NOK	320583	BK8	C-R	5690	BS194	MCCOR	82005	BS40042	AIWDI	82005
BH4031E0	NOK	473677	BL146	BR-WN	476838!	BS197	MCCOR	5092	BS40380	AIWDI	82001
BH4053E	NOK	710525	BL156	BR-WN	476838!	BS202	MCCOR	82016	BS42	MCCOR	5414
BH4089E	NOK	223802	BM1432A	NATSU	416158	BS203	MCCOR	5650	BS42	MCCOR	BS5974
BH4089E0	NOK	223802	BM1432B	NATSU	455462	BS209	MCCOR	82015	BS43	MCCOR	5596=
BH4089E0	NOK	38X50X7!	BNO7204	MASSE	450472!	BS210	MCCOR	5072	BS47	MCCOR	BS5155
BH4089F0	NOK	223802	BO2056E0	NOK	710253	BS214	MCCOR	5095	BS51	MCCOR	5479
BH4093E0	NOK	1989	BOS731	PAARS	415991!	BS216	MCCOR	3698	BS64	MCCOR	5585
BH4093F0	NOK	1989	BOS731	PAARS	415991	BS217	MCCOR	5750	BS66	MCCOR	5072
BH4127E	NOK	710189	BOS774	PAARS	416706!	BS223	CLEVI	455956H	BS67	MCCOR	5072
BH4214E	NOK	224840	BP-1471-E0	NOK	710303	BS223	MCCOR	BS40116	BS7	MCCOR	5419
BH4214E0	NOK	224840	BP10881	JOHND	473415	BS225	MCCOR	3698	BS72	MCCOR	5092
BH4214E0	NOK	48X68X10!	BP12606	JOHND	40183S!	BS225	MCCOR	82012	BS75	MCCOR	5095
BH4215E	NOK	710188	BP1315E0	NOK	7412S	BS229	MCCOR	712006	BS76	MCCOR	5576
BH4215E0	NOK	710188	BP13166	JOHND	204038	BS23	MCCOR	5585	BS78	MCCOR	5591
BH4270E0	NOK	42X58X7!	BP13166E	JOHND	204002	BS233	MCCOR	710060	BS85	MCCOR	5337

! Industrial Size/Type = Call 1-800-480-1212 for price and delivery.

Zero Duplication or Recommended		Zero Duplication or Recommended		Zero Duplication or Recommended		Zero Duplication or Recommended		
Mfr. No.	Name	Mfr. No.	Name	Mfr. No.	Name	Mfr. No.	Name	
BS86	MCCOR	5095	C102467 SCHWI	473211!	C1AE6336A FORD	5596 =	C2AP7052A FORD	7692S
BS86	MCCOR	BS5048	C10260 CASE	471466!	C1AE6336B FORD	5390 \$	C2AP7A248A FORD	331107N
BS9	MCCOR	5585	C10274 AT SU	471821!	C1AE6700A FORD	350936	C2AP7A248A2 FORD	331107N
BT1042	HU-WR	415187	C102747 SCHWI	473211!	C1AE6700A1 FORD	350936	C2AP7A248B FORD	473459
BT1044	HU-WR	415035	C10275 AT SU	474265	C1AE6700A2 FORD	350936	C2AW4676A3 FORD	7044NA
BW2780E	NOK	225874	C104814 SCHWI	450129	C1AE6700B FORD	350936	C2AZ3B592A FORD	470954
BW2929	MASSE	473463	C104814 SCHWI	472826!	C1AE6700B1 FORD	350936	C2AZ4676A FORD	7044NA
BW2948	MASSE	473463	C104815 SCHWI	473367!	C1AE6700B2 FORD	350936	C2AZ4676B FORD	7044NA
BW3681E	NOK	224150	C104815 SCHWI	473367!	C1AE6700B3 FORD	350936	C2AZ6700A FORD	350936
BW3681E0	NOK	224150	C105073 SCHWI	471649!	C1AP-7052-B FORD	7300S	C2AZ7052A FORD	7692S
BW3681E1	NOK	224150	C105798 SCHWI	472185!	C1AP7052A FORD	7692S	C2AZ7A248A FORD	331107N
BW3681E2	NOK	224150	C107373 SCHWI	473367!	C1AZ6A321C FORD	5390	C2DA7288A FORD	7399S!
BW3684E	NOK	710214	C107373 SCHWI	473367!	C1AZ7C098A FORD	424	C2DZ3591A FORD	240414
BW3691E	NOK	710246	C107592 SCHWI	473016!	C1DD1190A FORD	7994S	C2DZ7288A FORD	7399S!
BW3691E0	NOK	710246	C108187 SCHWI	472572!	C1DR3591A3 FORD	240414	C2DZ7A011A FORD	471651
BW3692E	NOK	710527	C108189 SCHWI	476838!	C1DW1177A FORD	484054	C2OE6701A FORD	5095
BW3694E	NOK	710528	C108190 SCHWI	471705!	C1DW1177A1 FORD	484054	C2OP7052B FORD	7692S
BW4265E	NOK	710133	C1087 OLIVE	471820	C1DW1177A2 FORD	484054	C2OR3591A FORD	240151
BX15940E	JOHND	204002	C108850 SCHWI	471192	C1DZ1177A FORD	484054	C2OW1177A FORD	8168 =
BX42145	JOHND	410496!	C110460 SCHWI	472012	C1DZ1190A FORD	7994S	C2OW1177A2 FORD	8168 =
BY404493	LETN	415442!	C110849 SCHWI	473238	C1MZ7C098A FORD	424	C2OW3635 FORD	8168 =
BY404493	LETN	55442	C1110 OLIVE	415995!	C1TT1190A FORD	7780	C2OW4676B FORD	472070
BY440493	LK-BT	415442!	C111089 SCHWI	471787!	C1TT1190B FORD	416273!	C2OW4676C FORD	472070
BY440493	LK-BT	55442	C111576 SCHWI	473016!	C1TT3591D FORD	450400	C2OW4676C3 FORD	472070
BZ1106E	NOK	5778	C112594 SCHWI	471689!	C1TT3591E FORD	450400	C2OZ1177A FORD	8168 =
BZ1106E0	NOK	5778	C113841 SCHWI	471224!	C1TT3591F FORD	323138!	C2OZ4676A FORD	472070
BZ3441E	NOK	710107	C115 UNIT	472397!	C1TT3591G FORD	474278	C2OZ4676B FORD	472070
BZ3441E0	NOK	710107	C119 UNIT	416339	C1TT3591H FORD	6859S	C2OZ6701A FORD	5095 \$
BZ4396E	NOK	710178	C119 UNIT	455031!	C1TT3591H FORD	474276!	C2S23591A FORD	471413!
C-0500	GRAM	50266	C12079 CASE	470390	C1TT4373A FORD	416500	C2S23591A FORD	7412S
C-ND1608A	FAIRB	351487	C1251 LEROI	472572!	C1TT4478A FORD	417484!	C2SZ3B592A FORD	470954!
C01Q1190A	FORD	416865!	C12510 LEROI	476838!	C1TT4573A FORD	416500	C2TA38007C FORD	370007A
C01Q1190B	MARMO	416865!	C12511 LEROI	471224!	C1TT4676A FORD	415960	C2TA4813A FORD	417484!
C01Q19846A2	FORD	472394	C12512 LEROI	417205!	C1TT4813A FORD	471271!	C2TR3591A FORD	472560N
C04 ATP		473179	C12517 LEROI	450033	C1TT4813B FORD	415995!	C2TS38007A FORD	370007A
C0DD1190A	FORD	7994S	C1252 LEROI	411394!	C1TT4813C FORD	410308!	C2TS4A052A FORD	370023A
C0DE6700A	FORD	473237	C12522 LEROI	411253!	C1TZ1190A FORD	416273!	C2TZ4813A FORD	417484!
C0DE6700A3	FORD	473237	C12525 LEROI	473463	C1TZ3591A FORD	471224!	C2TZ7A011A FORD	416426H =
C0DE6701A	FORD	5095	C1253 LEROI	6283S	C1TZ4676A FORD	415960	C305208 GWI	471224!
C0DP7A248A	FORD	331107N	C1255 LEROI	410102	C1UP7B498A FORD	7929S	C305232 SCHWI	472354!
C0DP7A32	FORD	473214	C12747 MID-R	471413	C1UU1190A FORD	472164	C305233 SCHWI	240009
C0DR1177A3	FORD	451182	C132214 CUMMI	471763	C1UW1177 FORD	51322	C30632 VIC	35292
C0DR3591A	FORD	240414	C135111 SPICE	417484!	C1UW1177A FORD	51322	C30727 VIC	35316
C0DR3591A3	FORD	240414	C13612 JOHND	473473	C1UW1177A3 FORD	51322	C30796 VIC	35315
C0DR7052A	FORD	473214	C13612C JOHND	473473	C1UW4676B FORD	7457N	C30982 VIC	35292
C0DR7288A	FORD	7399S!	C139854 SCHWI	471688 =	C1UW4676B1 FORD	7457N	C31061 VIC	35508
C0DR77047	FORD	480210!	C1401 CLARK	415449!	C1UZ1190A FORD	472164	C31090 VIC	35292
C0DR7A283A	FORD	480210!	C1443 HOUGH	415988	C1UZ4676B FORD	7457N	C31156 VIC	35011
C0DW1177A	FORD	451182	C1443 OLIVE	415988	C1UZ4676C FORD	7457N	C31156 VIC	35394
C0DW1177A3	FORD	451182	C1443A OLIVE	415960!	C1VP7052A FORD	473473	C3118 LEROI	471764!
C0DW1177A4	FORD	451182	C14872 JOHND	472213	C1VP7B498A FORD	7929S	C31197 VIC	35524
C0DW4676A	FORD	7457N	C14873 JOHND	471692!	C1VV1177A FORD	482253	C31207 VIC	35162
C0DZ4676A	FORD	7457N	C149 UNIT	470059	C1VV1177B FORD	482253	C31227 VIC	35486
C0LR3591E	FORD	471652	C149 UNIT	470380!	C1VV1177C FORD	482253	C31262 VIC	35402
C0LR3B699A	FORD	7738 * =	C150811 SCHWI	471567!	C1VV1190 FORD	472164	C3127 LEROI	474254
C0MM7048A	FORD	471504	C151 IRON	411253!	C1VV1190A FORD	9150S	C31273 VIC	35001
C0MW4676A	FORD	7044NA	C152006EX OLIVE	470059	C20119 VIC	25598	C31284 VIC	35361
C0NN1190B	FORD	471870!	C152006EX OLIVE	470380!	C20322 VIC	35316	C31301 VIC	35402
C0NN1190C	FORD	200855	C15265 JOHND	416664!	C20341 VIC	35094	C31325 VIC	35342
C0NN4115B	FORD	417621!	C16322 JOHND	473237!	C2208 MASSE	50081	C31348 VIC	35555
C0NN6700A	FORD	350936	C16323 JOHND	42352S	C23584EX OLIVE	473228	C31398 VIC	35261
C0NN6701A	FORD	350936	C16326 JOHND	472258!	C23772 TIMKE	417538	C31421 VIC	35526
C0NN7048A	FORD	471504 *	C165 MID-R	471750!	C24096 VIC	35316	C31514 VIC	422
C0NN7052A	FORD	472258!	C1700 MID-R	471554!	C24173 VIC	35315	C319616 JEFF	472924!
C0NN7052A1	FORD	472258!	C17435 SCHWI	450084!	C24216 VIC	35507	C319618 JEFF	415995!
C0NNA734A	FORD	412920!	C175004 JEFF	413478	C2583E JOHND	480821!	C35434301043 IH	455080
C0TT4813C	FORD	417484!	C17909 US-EL	470712!	C263 UNIT	472185!	C3577 JOHND	415027
C0TT7B216A	FORD	470954	C17914 US-EL	472185!	C2AA3B592A FORD	470954	C3577E JOHND	415027
C0TZ4813A	FORD	417484!	C18338 US-EL	415988	C2AE6700A FORD	350936	C3577E JOHND	415027
C0TZ7288A	FORD	470954	C19540 JOHND	471854!	C2AE6700A1 FORD	350936	C3577E JOHND	415027!
C10068333	STEEL	240385	C19728 JOHND	471765!	C2AE6700A2 FORD	350936	C390212 FORD	470088
C10068334	STEEL	340853	C1AA1177A FORD	473228	C2AE6700B FORD	350936	C3939 JOHND	323138!

! Industrial Size/Type * Minor Width Difference \$ F-M Number Is Part Of A Kit = Call 1-800-480-1212 for price and delivery.

ALPHABETICAL

Zero Duplication or Recommended		Zero Duplication or Recommended		Zero Duplication or Recommended		Zero Duplication or Recommended					
Mfr. No.	Name	Mfr. No.	Name	Mfr. No.	Name	Mfr. No.	Name				
C3940E	JOHND	41461S	C4UZ7052A	FORD	470687	C6TZ7A283A	FORD	415991	C8HZ4674A	FORD	712937
C3AE6700A	FORD	2942	C4VW4676B	FORD	6808N	C6TZ7B215A	FORD	473229	C8JJ6701A	FORD	415138!
C3AE6700A1	FORD	2942	C4VY4676A	FORD	6808N	C6TZ7B215D	FORD	470682	C8OW4676A	FORD	472070 =
C3AZ3591A	FORD	472560N	C4VY4676C	FORD	6808N	C6UW4676A	FORD	7457N	C8T24676B	FORD	413246
C3AZ4676A	FORD	7044NA	C502	ITM	50402	C6VP7052A	FORD	473473	C8T27048A	FORD	472164!
C3AZ6700A	FORD	2942	C51	UNIT	415458!	C6VW1177A	FORD	482253	C8TA1173C	FORD	370047A
C3AZ6700A	FORD	350936	C58	UNIT	472397!	C6VY1177A	FORD	482253	C8TA1173D	FORD	370047A
C3AZ7052A	FORD	7300S	C5AA1190A1	FORD	6815	C6VY7052A	FORD	473473	C8TA1173G	FORD	370023A
C3AZ7A248A	FORD	473459	C5AA1190A2	FORD	6815	C70Z-3591-A	FORD	472560N	C8TA1173H	FORD	370023A
C3OP7A248A1	FORD	331107N	C5AR3B592B2	FORD	471538	C759	ITM	471827	C8TA1175A	FORD	417353 =
C3OW1177B	FORD	9569S	C5AR7A283A	FORD	471652	C77115	C-P	40208	C8TA1175B	FORD	417353 =
C3SZ3591A	FORD	471646!	C5AR7A283A	FORD	482208N	C777	ITM	471195!	C8TA1175C	FORD	9584
C3TA1175F	FORD	417506	C5AZ-3D526A	FORD	471645	C786	ITM	470898	C8TA1175D	FORD	9584
C3TA1175FA	FORD	417506	C5AZ3B592B	FORD	471538	C788	ITM	472492!	C8TA1175F	FORD	370008A
C3TA1190A	FORD	7780	C5AZ3B592C	FORD	471538	C79078	C-P	472951	C8TA1175G	FORD	370023A
C3TA1190B	FORD	44052	C5AZ3D732A	FORD	PSK-1	C79078	C-P	474252	C8TA1175H	FORD	370023A
C3TA1190D	FORD	6954S	C5AZ6701B	FORD	2377	C7AW1177A	FORD	8660S	C8TZ1175A	FORD	417353 =
C3TA4478A	FORD	416654	C5AZ6701B	FORD	5278	C7AW1177F	FORD	473228	C8TZ1175B	FORD	9584
C3TA4676A	FORD	417487!	C5AZ7052A	FORD	7412S	C7AW1177H	FORD	8660S	C8TZ1175C	FORD	370008A
C3TA4676A	FORD	417487	C5FR7A283A	FORD	471413!	C7AW1177J	FORD	473228	C8TZ1175D	FORD	370023A
C3TA4813A	FORD	415995!	C5NN-3C615B	FORD	481163	C7AW4676A	FORD	3604	C8TZ1177A	FORD	473228!
C3TR7A283A	FORD	472354!	C5NN-77047-A	FORD	472150	C7AZ1177A	FORD	8660S	C8TZ24676A	FORD	416654
C3TS38007C	FORD	370001A	C5NN-77086-A	FORD	712144	C7AZ4676A	FORD	3604	C8TZ4676B	FORD	413246
C3TS38007C	FORD	380001A	C5NN-7N097-A	FORD	342805	C7AZ7B498A	FORD	7929S	C8TZ7048A	FORD	472164!
C3TS38007D	FORD	370001A	C5NN6700A	FORD	413246	C7DW1177A	FORD	9161	C8TZ7918A	FORD	415991
C3TS38007D	FORD	380001A	C5NNA734A	FORD	472018	C7DW1177B	FORD	9161	C8TZ7918A	FORD	415991!
C3TS38007E	FORD	370007A	C5NNP709B	FORD	473234!	C7NN7048B	FORD	473454	C8UW1177A	FORD	9568
C3TSA4052E	FORD	370036A	C5TA1175A	FORD	410987!	C7OR3591A3	FORD	472560N	C900	ITM	474274
C3TZ1190A	FORD	7780	C5TA1190A	FORD	370179A	C7OW1177E	FORD	9569S	C90Z6701A	FORD	5095
C3TZ1190C	FORD	417134	C5TA1190A	FORD	4148	C7OW1177F	FORD	9363S	C920713	KOEH	471498
C3TZ3591A	FORD	340413	C5TA1190A	FORD	471424!	C7OW1177K	FORD	9569S	C920732	KOEH	471760
C3TZ4478A	FORD	416654	C5TA1190C	FORD	4148	C7OW1177L	FORD	9569S	C9526	WHITE	415023
C3TZ4478B	FORD	417487!	C5TA1190C	FORD	471424!	C7OZ1177A	FORD	9363S	C9AE6701B	FORD	5116
C3TZ4478B	FORD	417487	C5TA1190D	FORD	370179A!	C7OZ1177B	FORD	9569S	C9AR7A283A	FORD	471652
C3TZ4676A	FORD	417487!	C5TA1190D	FORD	9339S	C7OZ3591A	FORD	472560N	C9AR7A283A	FORD	482208!
C3TZ4676A	FORD	417487	C5TS38007D	FORD	370007A	C7TA1190B1	FORD	44053	C9AR7A283AA	FORD	3638
C3TZ4676B	FORD	416282	C5TZ1190A	FORD	4148	C7TA1190B2	FORD	44053	C9AZ-7A283A	FORD	3638
C3TZ4813A	FORD	415995!	C5TZ1190A	FORD	471424!	C7TA1190D2	FORD	4148	C9AZ21177A	FORD	473228
C3TZ7A248B	FORD	472354!	C5TZ1190D	FORD	370179A!	C7TA1190D2	FORD	471424!	C9AZ6701A	FORD	5118
C3TZ7A283B	FORD	472354!	C5TZ1190D	FORD	9339S	C7TS38007A	FORD	370001A	C9AZ6701B	FORD	5116
C3UA1190A	FORD	472164	C5TZ7052A	FORD	7412S	C7TS38007A	FORD	380001A	C9DZ1177A	FORD	9161
C3UW4676A	FORD	7457N	C5TZ7052B	FORD	470380!	C7TW1177A	FORD	473228	C9HA1175A	FORD	370019A
C3VA4676A	FORD	6808N	C5ZA1190A	FORD	6815	C7TZ1175A	FORD	9864S	C9HA1175B	FORD	370019A
C4008	JOHND	474278	C5ZZ1190A	FORD	6815	C7TZ1190B	FORD	44053	C9HA1175C	FORD	370021A
C4110334	BRWNG	455592	C610	ITM	472164!	C7TZ1190C	FORD	6954S	C9HA1175D	FORD	370021A
C4123	GRAY	472439	C61070	C-P	470774!	C7TZ1190D	FORD	4148	C9HA1190A	FORD	370054A
C43147	PETTI	472636!	C617	ITM	470898	C7TZ1190D	FORD	471424!	C9HA1190B	FORD	370057A
C45407	VIC	35094	C63382	C-P	451583!	C7TZ7A283A	FORD	456744N	C9HA1190B	FORD	370057A
C45551	VIC	35327	C649	ITM	472492!	C7TZ7A283B	FORD	415995!	C9HS1131A	FORD	HU036A
C459	UNIT	415082	C69	STANT	25598	C7UW1177D	FORD	9568	C9HS1131B	FORD	HU110A
C460	ITM	472164!	C693A	OLIVE	413469!	C7UW1177E	FORD	51322	C9HS1131C	FORD	HU110A
C463	ITM	471192	C6AE6B314A	FORD	JV1368 =	C7UW1177F	FORD	9568	C9HZ1175A	FORD	370019A
C4FR7A283A	FORD	7412S	C6AW4676A	FORD	7044NA	C7UW1177G	FORD	9568	C9HZ1175B	FORD	370021A
C4OZ1177A	FORD	9569S	C6AZ1190A	FORD	9150S	C7VW1177A	FORD	482253	C9HZ1190A	FORD	2674
C4TA1190A	FORD	7866S	C6DW1177D	FORD	9161	C86639	C-P	240151	C9HZ1190A	FORD	370054A
C4TA4676A	FORD	415458	C6DZ1177A	FORD	9161	C86640	C-P	473211!	C9HZ1190B	FORD	370057A
C4TA4676B	FORD	415458 =	C6OW4676	FORD	472070	C86643	C-P	6597S	C9NN4N109A	FORD	415449
C4TA7048A	FORD	482163!	C6TZ1175B	FORD	412119!	C87265	C-P	470954!	C9NN7N838A	FORD	415458
C4TE6700A	FORD	413246	C6TZ1181A	FORD	472747	C87466	C-P	240733	C9NN7N839A	FORD	473227 =
C4TE6700A1	FORD	413246	C6TZ1190A	FORD	472394	C87467	C-P	240716	C9OZ6701A	FORD	5095
C4TR7052A1	FORD	410059	C6TZ3171A	FORD	204005	C8878143	BENDI	471785!	C9TA1175A	FORD	4250
C4TR7052A1	FORD	470380!	C6TZ3254A	FORD	471766	C8AW4676A	FORD	7044NA	C9TA1175B	FORD	4250
C4TS38007B	FORD	370001A	C6TZ3254B	FORD	472258!	C8AZ1190A	FORD	6815	C9TA1175B1	FORD	4250
C4TS38007B	FORD	380001A	C6TZ3254C	FORD	5131	C8HA1173A	FORD	370019A	C9TA1175B2	FORD	4250
C4TZ-7051A	FORD	482163!	C6TZ3254D	FORD	471766!	C8HA1173B	FORD	370019A	C9TA1175B3	FORD	4250
C4TZ1190A	FORD	7866S	C6TZ4676A	FORD	5778	C8HA1173C	FORD	370021A	C9TA1175C2	FORD	9864S
C4TZ4676A	FORD	415458	C6TZ4676B	FORD	6808N	C8HA1173D	FORD	370021A	C9TA1175E	FORD	417353 =
C4TZ6700A	FORD	413246	C6TZ7052A	FORD	410059	C8HA1175A	FORD	370019A	C9TA1175F	FORD	417353 =
C4TZ7048A	FORD	482163!	C6TZ7052A	FORD	470380!	C8HA1175B	FORD	370019A	C9TA1175G	FORD	9584
C4TZ7052A	FORD	410059	C6TZ7052B	FORD	410059	C8HA1175C	FORD	370021A	C9TA1175H	FORD	9584
C4TZ7052A	FORD	470380!	C6TZ7288C	FORD	471466!	C8HA1175D	FORD	370021A	C9TA1175K	FORD	370008A
C4UP7052A	FORD	470687	C6TZ7918A	FORD	415983N!	C8HZ1175A	FORD	370019A	C9TA1175L	FORD	5076
						C8HZ1175B	FORD	370021A			370023A

! Industrial Size/Type = Call 1-800-480-1212 for price and delivery.

Zero Duplication or Recommended		Zero Duplication or Recommended		Zero Duplication or Recommended		Zero Duplication or Recommended		
Mfr. No.	Name	Mfr. No.	Name	Mfr. No.	Name	Mfr. No.	Name	
C9TA1175M	FORD	370023A	CB78 FITZ	5092	CP6072K FAIRB	416229	D0TZ1175C FORD	370008A
C9TA1175M	FORD	5667\$	CB8012013 FORSH	80X120X13	CP6072L FAIRB	415551	D0TZ1175C FORD	5076
C9TA1175R	FORD	417506	CB8210512 FORSH	82X105X12	CP6072M FAIRB	417362!	D0TZ1175D FORD	370023A
C9TAC1175A1	FORD	416273	CB8511513 FORSH	85X115X13	CP6072R FAIRB	417603!	D0TZ1175D FORD	5667
C9TZ1175A	FORD	4250	CB8811012 FORSH	88X110X12	CP6072W FAIRB	416239!	D0TZ1175E FORD	417506
C9TZ1175B	FORD	9864S	CB9212013 FORSH	92X120X13	CP6072X FAIRB	415482	D0TZ1175E FORD	5089\$
C9TZ1175B1	FORD	4250	CB9227 FORSH	9X22X7	CP6072Y FAIRB	417020	D0TZ1177A FORD	710067
C9TZ1175C	FORD	4250	CB9511512 FORSH	95X115X12	CP6147A FAIRB	415991	D0TZ1190A FORD	2222
C9TZ1190A	FORD	416273!	CB9512512 FORSH	95X125X12	CP6147A FAIRB	455146!	D0TZ4676A FORD	9316
C9TZ4676A	FORD	9773	CB9812013 FORSH	98X120X13	CP6147B FAIRB	416865!	D0TZ7A011A FORD	471271!
C9TZ7052A	FORD	474276	CBS1 FITZ	5419	CP6147C FAIRB	416107!	D0UW4676A FORD	7044NA
C9TZ7052B	FORD	100495	CBS18 FITZ	5585	CP6147C FAIRB	455073	D10026 JOHND	203006!
C9TZ7052B	FORD	417349	CBS43 FITZ	5596=	CP6228A FAIRB	416364!	D102210 GAL	416556!
C9UZ1177A	FORD	9568	CBS44 FITZ	5414	CP813 DEMPC	411253!	D102210 GAL	472157
C9VY1177A	FORD	482253	CBS56 FITZ	5479	CP814 DEMPC	415458!	D102245 GAL	J1130
C9ZZ6701A	FORD	5108	CC11553 DIA	412119!	CR1501 GOODM	471224!	D10927 THEW	415150!
CA1056	CLARK	471795	CC14018018 FORSH	140X180X18	CR15024 GOODM	471567!	D10312 THEW	415150!
CA1057	CLARK	473228	CC149 FMC	417562	CR17 FMC	416149	D1056 JOHND	450089
CA1129	CLARK	55155=	CC1553 DIA	417344!	CR17 LK-BT	416149	D105762 GAL	476470
CA1130	CLARK	471472!	CC19023013 FORSH	190X230X13	CR1871 GOODM	471733	D106339 GAL	412861
CA1131	CLARK	471466!	CC20Z4676B FORD	472070	CR225112 GOODM	473214	D106344 GAL	471267!
CA1239	HARRI	417349	CC21512 WHITE	408	CR5754 GOODM	415041	D10738 GMC	473230!
CA1243	HARRI	417563	CC2AZ4676B FORD	7044NA	CR9815 FULLE	240731	D107485 GAL	416137
CA1245	HARRI	412119!	CC61957 C-W	471554!	CS7010 CLARK	710500	D10779 GAL	416339
CA1311	HARRI	473231	CC649013 FORSH	64X90X13	CSK792 SCHWI	471271=	D10779 GAL	455031!
CA1319	HARRI	455019!	CC7AZ4676A FORD	3604	CTCAA1175A FORD	415960!	D109853 GAL	471272!
CA1471	HARRI	471267!	CDTZ7052A FORD	410059	CTL-3A5038 MARMO	412119!	D10W1177A FORD	9569S
CA1545	HARRI	471466!	CDTZ7052A FORD	470380!	CTL-65037 MARMO	415371	D11076 GAL	470380!
CA1546	HARRI	471835!	CE5311 DURA	472705!	CTL-65038 MARMO	416921!	D111 ROCKKW	416921!
CA20009	C-R	471267!	CE7009 CLARK	710425	CTL-65080 MARMO	473444	D111020 GAL	417547
CAL1982	LEYLD	370003A	CE7011 CLARK	710562	CTL5-4TA1761 MARMO	416654	D112926 GAL	415072
CATE6700A5	FORD	413246	CE7013 CLARK	710650	CX11471E JOHND	450523	D113732 GAL	415371
CB1001159	FORSH	100X115X9	CE7016 CLARK	710800	CX3183E JOHND	450765!	D114247 GAL	417555!
CB10014013	FORSH	100X140X13	CE7019 CLARK	710925	D00E6701A FORD	5117	D11467 GAL	471255!
CB10213013	FORSH	102X130X13	CE7021 CLARK	711000	D00W4676B FORD	472070	D1150220 SPICE	471795
CB10247	FORSH	10X24X7	CE7024 CLARK	711200	D00Z6701A FORD	5117	D1151300 SPICE	472015!
CB12815015	FORSH	128X150X15	CE851733 CLARK	471689!	D0A1190 FORD	40438S	D1151300 VIC	472015!
CB13516012	FORSH	135X160X12	CEx11781 GMC	411253!	D0AE6700A FORD	350936	D11519141 SPICE	472164!
CB14307	FORSH	14X30X7	CEx2875 GMC	410059	D0AE6700A2 FORD	350936	D1153449 SPICE	471766!
CB14518012	FORSH	145X180X12	CEx2875 GMC	470380!	D0AE6700A2A FORD	350936	D1153449 VIC	473237!
CB14817015	FORSH	148X170X15	CFS116 PETTI	415317	D0AW4676C FORD	3604	D1159141 SPICE	472164!
CB16018510	FORSH	160X185X10	CG195 LK-BT	55333=	D0AW4676D FORD	7044NA	D121199 GAL	416888!
CB16327	FORSH	16X32X7	CL251 CLARK	472179	D0AZ6700A FORD	350936	D122092 GAL	473204=
CB18521013	FORSH	185X210X13	CLHX3AO MARMO	416888!	D0AZ7A283A FORD	472354!	D12W1177A FORD	2669
CB194010	FORSH	19X40X10	CM19 FMC	352541	D0HA1175E FORD	370021A	D12W1177B FORD	2669
CB21024015	FORSH	210X240X15	CM19 LK-BT	352541	D0HA1175F FORD	417506	D130214 GAL	417262!
CB21025015	FORSH	210X250X15	CO24 ATP	3227	D0HA1190L FORD	370008A	D1406 THEW	472157!
CB22377	FORSH	22X37X7	CO3 ATP	472015!	D0HM1190A FORD	370054A	D1406 THEW	472157
CB2237X7	FORSH	22X37X8	CO4 ATP	473179	D0HZ1175A FORD	370046A	D14090 GAL	417269!
CB22457	FORSH	22X45X7	CP12112 PERSN	204035	D0HZ1175B FORD	370047A	D14134 GAL	417356!
CB24377	FORSH	24X37X8	CP1211B PERSN	204035	D0HZ1175C FORD	417506	D14134 GAL	455188
CB24378	FORSH	24X37X8	CP1556 PERSN	474272!	D0HZ1175D FORD	370023A	D14190 GAL	415938
CB274210	FORSH	27X42X10	CP2113 DEMPC	476838!	D0HZ1175E FORD	370019A	D1443 OLIVE	416339
CB325510	FORSH	32X55X10	CP2213 DEMPC	473215!	D0HZ1175F FORD	370021A	D1443 OLIVE	455031!
CB34528	FORSH	34X52X8	CP2214 DEMPC	470059	D0HZ1190A FORD	370054A	D154 MINNW	415196!
CB346210	FORSH	34X62X10!	CP2214 DEMPC	470380!	D0HZ1190B FORD	370001A	D155343 GAL	JV1124=
CB355810	FORSH	35X58X10	CP2413 DEMPC	471820	D0HZ1190B FORD	380001A	D15575 MALL	471224!
CB36477	FORSH	36X47X7	CP2414 DEMPC	473367!	D0HZ1190C FORD	370057A	D15576 MALL	340413
CB36527	FORSH	36X52X7	CP2414 DEMPC	473367	D0HZ1190D FORD	370008A	D18438 GAL	415072
CB365812	FORSH	36X58X12	CP2613 DEMPC	470088	D0HZ1190E FORD	370048A	D19974 GAL	455963H=
CB36627	FORSH	36X62X7!	CP2614 DEMPC	473464!	D0HZ1190E FORD	380048A	D1AP7052AA FORD	2465*
CB37528	FORSH	37X52X8	CP2614 DEMPC	473464	D0HZ1190F FORD	370048A	D1AP7052BA FORD	7692S
CB406812	FORSH	40X68X12	CP6072A FAIRB	417533	D0HZ1190F FORD	380048A	D1AR3B592A3A FORD	471538
CB45587	FORSH	45X58X7!	CP6072B FAIRB	416107!	DORY1190A FORD	1192	D1AR7052A1A FORD	410059
CB528010	FORSH	52X80X10	CP6072B FAIRB	455073	DORY4676A FORD	2642	D1AR7052A1A FORD	470380!
CB536810	FORSH	53X68X10	CP6072C FAIRB	415150!	DORY7052D FORD	2551	D1AR7052AA FORD	7692S
CB56808	FORSH	56X80X8	CP6072D FAIRB	472157!	DORY7052E FORD	1193	D1AR7052B1A FORD	9832=
CB6167	FORSH	61X16X7	CP6072D FAIRB	472157	D0TA1190A FORD	2222	D1AW1177C FORD	473228
CB638510	FORSH	63X85X10	CP6072E FAIRB	416892!	D0TP7048A FORD	471271!	D1AW1177D FORD	8660S
CB7510513	FORSH	75X105X13	CP6072H FAIRB	415379	D0TZ1175A FORD	370046A	D1AW1177E FORD	8660S
CB7511012	FORSH	75X110X12	CP6072H FAIRB	415379	D0TZ1175A FORD	5100	D1AZ1177A FORD	8660S
CB759010	FORSH	75X90X10	CP6072J FAIRB	455191	D0TZ1175B FORD	5649	D1AZ1177B FORD	8660S

! Industrial Size/Type * Minor Width Difference \$ F-M Number Is Part Of A Kit = Call 1-800-480-1212 for price and delivery.

ALPHABETICAL

Zero Duplication or Recommended		Zero Duplication or Recommended		Zero Duplication or Recommended		Zero Duplication or Recommended		
Mfr. No.	Name	Industrial	Mfr. No.	Name	Industrial	Mfr. No.	Name	
D1AZ7052A	FORD	7692S	D2RY6701A	FORD	473573	D3TZ7B215B	FORD	410308!
D1DW1177A	FORD	9161	D2RY7052A	FORD	2551	D40869	GAL	415991
D1FZ1177A	FORD	2669	D2TA4813A	FORD	471271	D40869	GAL	455146!
D1FZ1177B	FORD	2669	D2TA4813A1A	FORD	471271!	D41447	CASE	415995!
D1FZ6700A	FORD	2012V	D2TA4813BA	FORD	417484	D41543	GAL	473232
D1FZ6700B	FORD	3394	D2TZ1175A	FORD	415960	D42213	GAL	417316!
D1FZ6701A	FORD	473573	D2TZ4813A	FORD	471271!	D42E6700A2A	FORD	2955
D1FZ6K777A	FORD	414	D2TZ4813B	FORD	417484!	D42E6700A3A	FORD	2955
D1FZ7052A	FORD	2443	D2TZ6701A	FORD	228020	D42E6700AA	FORD	2955
D1FZ7A011A	FORD	2503	D2TZ7B215B	FORD	472635	D42E6701AA	FORD	5108
D1FZ7A011A	FORD	2503N	D2TZ7B215C	FORD	470682	D42R7052A	FORD	473215
D1FZ8590A	FORD	35127	D2UP7052AA	FORD	410059	D42R7052AA	FORD	473215
D1HA1190BA	FORD	370057A	D2UP7052AA	FORD	470380!	D42R7288AA	FORD	313156
D1HA1190DA	FORD	370057A	D2UP7052AB	FORD	410059	D42W1177A	FORD	3199
D1HZ1190A	FORD	370001A	D2UP7052AB	FORD	470380!	D440	ITM	472397!
D1HZ1190B	FORD	370057A	D2UZ7052AA	FORD	410059	D45718	GAL	471744!
D1RY7052A	FORD	33X50X12!	D2UZ7052AA	FORD	470380!	D465	THEW	455462
D1TA1190AA	FORD	6954S	D2VY3B592A	FORD	7013S	D46867	GAL	45013S
D1TW1177A	FORD	9568	D2X133A	CATER	471271!	D4721	KOEH	416125!
D1TZ1190B	FORD	416332!	D3049P	CASE	472179	D47371	CASE	416865!
D1TZ3254A	FORD	472636!	D31132	GAL	417344!	D4855	THEW	415449!
D1TZ4676B	FORD	410686N	D31224	GAL	472636!	D48672	THEW	415379!
D1TZ7B215A	FORD	415483!	D32108	CASE	472636	D48672	THEW	415379
D1TZ7B215B	FORD	473467	D32109	CASE	415104N=	D49214	GAL	200642
D1TZ7B215C	FORD	470898	D33543	GAL	415007	D49930	CASE	453309=
D1TZ7B215D	FORD	471341!	D3556	COOK	55522=	D4AW1177A	FORD	3195
D1UZ4676A	FORD	7044NA	D35824	GAL	471442!	D4AW4676B	FORD	7044NA
D1WG7048AA	FORD	2503	D3665	CASE	450456!	D4AZ1177A	FORD	3195
D1WG7048AA	FORD	2503N	D3666P	CASE	473215!	D4AZ4676A	FORD	7044NA
D1ZW1177A	FORD	9363S	D37024	CASE	415991!	D4DT7052B3A	FORD	2655
D200	MINNM	472439	D37024	CASE	415991	D4FZ1177A	FORD	3214
D2081	THEW	415991	D37Z7052A	FORD	710051	D4FZ1177B	FORD	3199
D2081	THEW	455146!	D37Z7052B	FORD	710051	D4FZ6700A	FORD	2955
D2155BJ	SPG	2155	D37Z7A248A	FORD	2025	D4FZ6701A	FORD	5108
D22209	GAL	415001!	D37Z7A248A	FORD	42X60X7!	D4PZ8590A	FORD	35127
D2244	GRAY	471554!	D3812	THEW	415995!	D4T27B215B	FORD	473204
D24226	GAL	416654!	D3813	THEW	473214	D4TZ4676B	FORD	712625
D2534	THEW	472157	D397	ITM	473235!	D4TZ6700A	FORD	413246
D2534	THEW	472157!	D3HA1175BA	FORD	370019A	D4TZ7B215A	FORD	471870!
D2656	JA-HE	350942	D3HA1175CA	FORD	370020A	D4TZ7B215C	FORD	472179
D26703	GMC	410059	D3HA1175CA	FORD	415351!	D4TZ7B215D	FORD	710005
D26703	GMC	470380!	D3HA1190A1A	FORD	370001A	D4TZB215C	FORD	472179
D271177B	FORD	1994	D3HA1190A1A	FORD	6638S	D4ZV1177A	FORD	3214
D271177B	FORD	48X70X9!	D3HA1190A2A	FORD	6638S	D4ZZ7052A	FORD	473215
D27670	GAL	417344!	D3HS1175AA	FORD	370023A	D4ZZ7052B	FORD	2655
D27Z1177A	FORD	473823	D3HS1175BA	FORD	370019A	D4ZZ7288A	FORD	313156
D27Z1177B	FORD	1994	D3HS1175CA	FORD	370019A	D4ZZ7A248A	FORD	2658
D27Z1177B	FORD	48X70X9!	D3HS1190AA	FORD	370001A	D51035	THEW	450335
D27Z1190A	FORD	1992	D3HS1190AA	FORD	380001A	D51051	GAL	480630!
D27Z4676A	FORD	712011	D3HZ1175A	FORD	370003A	D51163	GAL	471424!
D27Z6698A	FORD	411	D3HZ7052A	FORD	415379	D51517	CASE	470530
D27Z6700A	FORD	1994	D3RY4676A	FORD	2642	D51518	CASE	472636=
D27Z6700A	FORD	710313	D3TA1175BA	FORD	370046A	D52761	GAL	418028!
D27Z6701A	FORD	228020	D3TA1175BA	FORD	5100	D5294	COC	204002
D27Z7052A	FORD	1990	D3TA1175CA	FORD	370047A	D53767	CASE	412920!
D28802	GAL	411245!	D3TA1175CA	FORD	5649\$	D53767	JOHND	412920!
D2883	ALLCH	470590	D3TA1175FA	FORD	5089	D53775	CASE	471766!
D2914	ALLCH	412473!	D3TA1175GA	FORD	370023A	D53835	CASE	476470
D29195	CASE	417487	D3TA1175JA	FORD	4250	D550	THEW	417316!
D29862	CASE	341022	D3TA1175JA	FORD	4250	D55436	CASE	415263
D29862	CLARK	341022	D3TA1175K2A	FORD	9864S	D578	NORDG	471766!
D2AP7052AA	FORD	7300S	D3TA1190AA	FORD	4148	D5AP7052AA	FORD	7692S
D2AW4676A	FORD	3604	D3TA1190AB	FORD	4148	D5AP7052BA	FORD	7300S
D2FZ1177A	FORD	1994	D3TA1190B1A	FORD	370132A	D5AW1177A	FORD	8660S
D2FZ1177A	FORD	48X70X9!	D3TA1190B2A	FORD	370132A	D5AW1177AA	FORD	3195
D2FZ7052A	FORD	1990	D3TZ-7B215A	FORD	410308!	D5AW1177BA	FORD	3186
D2HA4813A2A	FORD	415995!	D3TZ-7B215A	FORD	473468	D5AW3D526A1A	FORD	471645!
D2HA4813AA	FORD	415995!	D3TZ1175A	FORD	4250	D5AW3D526A1A	FORD	471645
D2HA4813BA	FORD	415088	D3TZ1175B	FORD	416273!	D5AZ-3D526A	FORD	471645
D2HA4813BA	FORD	415088!	D3TZ1190A	FORD	4148	D5AZ1177A	FORD	8660S
D2HZ3591A	FORD	340413	D3TZ7048A	FORD	482163!	D5AZ7052A	FORD	7300S
D2HZ3591D	FORD	323138!	D3TZ7288A	FORD	470954!	D5AZ7052B	FORD	7692S
D5AZ7B498A	FORD	7929S	D40869	GAL	415991	D5DT7052A3A	FORD	2655
D5DT7052A3A	FORD	2655	D41447	CASE	415995!	D5DW1187A	FORD	3794
D5DW1187A	FORD	3794	D41543	GAL	473232	D5DZ1177A	FORD	3794
D5DZ1177A	FORD	3794	D42213	GAL	417316!	D5FZ7052A	FORD	2443
D5FZ7052A	FORD	2443	D42E6700A2A	FORD	2955	D5HZ1175A	FORD	370003A
D5HZ1175A	FORD	370003A	D42E6700A3A	FORD	2955	D5HZ1190A	FORD	370132A
D5HZ1190A	FORD	370132A	D42E6700AA	FORD	2955	D5HZ1190B	FORD	370001A
D5HZ1190B	FORD	370001A	D42E6701AA	FORD	5108	D5HZ1190B	FORD	6638S
D5HZ1190C	FORD	370048A	D42R7052A	FORD	473215	D5HZ1190C	FORD	370048A
D5HZ1190C	FORD	370048A	D42R7052AA	FORD	473215	D5HZ1190C	FORD	380048A
D5HZ1190E	FORD	370132A	D42R7288AA	FORD	313156	D5HZ1190E	FORD	370132A
D5M1177A	FORD	3186	D42W1177A	FORD	3199	D5M1177A	FORD	3186
D5M1177A	FORD	3186	D440	ITM	472397!	D5M1177A	FORD	3186
D5M1177A	FORD	3186	D45718	GAL	471744!	D5M1177A	FORD	3186
D5M1177A	FORD	3186	D465	THEW	455462	D5NN-4115B	FORD	415449
D5M1177A	FORD	3186	D46867	GAL	45013S	D5NN6700A	FORD	413246
D5M1177A	FORD	3186	D4721	KOEH	416125!	D5NN7288A	FORD	417231!
D5M1177A	FORD	3186	D47371	CASE	416865!	D5TZ1190D	FORD	370048A
D5M1177A	FORD	3186	D4855	THEW	415449!	D5TZ1190D	FORD	380048A
D5M1177A	FORD	3186	D48672	THEW	415379!	D5TZ24676A	FORD	415234
D5M1177A	FORD	3186	D48672	THEW	415379	D5UA1175AA	FORD	4250
D5M1177A	FORD	3186	D49214	GAL	200642	D5UA1175BA	FORD	9864S
D5M1177A	FORD	3186	D49930	CASE	453309=	D5UA1190AA	FORD	493637
D5M1177A	FORD	3186	D4AW1177A	FORD	3195	D5UP7052AA	FORD	410059
D5M1177A	FORD	3186	D4AW4676B	FORD	7044NA	D5UP7052AA	FORD	470380!
D5M1177A	FORD	3186	D4AZ1177A	FORD	3195	D5U7A011A	FORD	410308!
D5M1177A	FORD	3186	D4AZ4676A	FORD	7044NA	D5Z7052A	FORD	2655
D5M1177A	FORD	3186	D4DT7052B3A	FORD	2655	D5Z7052C	FORD	2655
D5M1177A	FORD	3186	D4FZ1177A	FORD	3214	D600500207	CONTI	50199S!
D5M1177A	FORD	3186	D4FZ1177B	FORD	3199	D600500207	CONTI	50199S!
D5M1177A	FORD	3186	D4FZ6700A	FORD	2955	D600500207	CONTI	50199S!
D5M1177A	FORD	3186	D4FZ6701A	FORD	5108	D600K-232	CONTI	5M403
D5M1177A	FORD	3186	D4PZ8590A	FORD	35127	D600M-241	CONTI	471649!
D5M1177A	FORD	3186	D4T27B215B	FORD	473204	D600S207	CONTI	50199S!
D5M1177A	FORD	3186	D4TZ4676B	FORD	712625	D600S207	CONTI	50199S!
D5M1177A	FORD	3186	D4TZ6700A	FORD	413246	D600S207	MASSE	50199S!
D5M1177A	FORD	3186	D4TZ7B215A	FORD	471870!	D600S207	MASSE	50199S!
D5M1177A	FORD	3186	D4TZ7B215C	FORD	472179	D60319	KOEH	416273!
D5M1177A	FORD	3186	D4TZ7B215D	FORD	710005	D60319	THEW	416273!
D5M1177A	FORD	3186	D4TZB215C	FORD	472179	D61118	GAL	40410S
D5M1177A	FORD	3186	D4ZV1177A	FORD	3214	D61686	GAL	474278
D5M1177A	FORD	3186	D4ZZ7052A	FORD	473215	D61686	GAL	6859S
D5M1177A	FORD	3186	D4ZZ7052B	FORD	2655	D61687	GAL	411394!
D5M1177A	FORD	3186	D4ZZ7288A	FORD	313156	D61688	GAL	471649!
D5M1177A	FORD	3186	D4ZZ7A248A	FORD	2658	D62105	THEW	455336
D5M1177A	FORD	3186	D51035	THEW	450335	D62214	THEW	416654!
D5M1177A	FORD	3186	D51051	GAL	480630!	D62238	THEW	471270!
D5M1177A	FORD	3186	D51163	GAL	471424!			

Zero Duplication or Recommended		Zero Duplication or Recommended		Zero Duplication or Recommended		Zero Duplication or Recommended					
Mfr. No.	Name	Mfr. No.	Name	Mfr. No.	Name	Mfr. No.	Name				
D6FZ4676A	FORD	472070	D8TZ-1175A	FORD	710045	DE2630	ALLCH	472924!	DR180	SPG	110X140X13!
D6HZ7A283A	FORD	473010	D8TZ-3332-A	FORD	710385	DE2631	ALLCH	470059	DR180	SPG	231108
D6HZ7B215A	FORD	452742	D8TZ1175B	FORD	415960	DE2631	ALLCH	470380!	DR1815	SPG	12X22X7!
D6NN7N838A	FORD	415458	D8TZ1175C	FORD	710044	DE30186	ALLCH	473228	DR1872	SPG	45X60X7
D6TA1175B2A	FORD	3385	D8TZ3254A	FORD	470682	DE31142	ALLCH	476838!	DR1956	SPG	70X90X10!
D6TZ1175A	FORD	722109	D8TZ3254B	FORD	2300	DE31846	ALLCH	470059	DR1969	SPG	223535
D6TZ1175B	FORD	722108	D8TZ7B215B	FORD	473457!	DE31846	ALLCH	470380!	DR1969	SPG	35X52X8!
D6TZ1175C	FORD	722108	D8UZ-7A283A	FORD	3638	DE31983	ALLCH	417484!	DR1990	SPG	25X52X7!
D6TZ4676A	FORD	455080	D8UZ7A283B	FORD	3638	DE40655	ALLCH	471570!	DR2122	SPG	40X58X10!
D6TZ4676B	FORD	9316	D92708	GAL	417361	DE4084	ALLCH	471570!	DR2124	SPG	62X90X10
D6TZ4676C	FORD	9316	D93056	GAL	472016	DE41209	ALLCH	471621!	DR2132	SPG	221925
D6TZ7B215B	FORD	710005	D95144	CASE	710026	DE41925	ALLCH	240385	DR2136	SPG	38X56X10
D6TZ7B215C	FORD	473457!	D9668	GAL	412119!	DE44663	ALLCH	473448	DR2138	SPG	20X32X7
D6UA1175A	FORD	3385	D979	MINNM	417191	DE45207	ALLCH	417344!	DR2199	SPG	224520
D6UZ1175A	FORD	3385	D979	MINNM	455165!	DE46231	ALLCH	415938	DR2199	SPG	45X60X10!
D6VA1175AA	FORD	3385	D9AC3B592AA	FORD	471538	DE46686	ALLCH	450639	DR2493	SPG	114X140X13
D6ZR7052AA	FORD	7692S	D9AC3B592AB	FORD	471538	DE50319	ALLCH	472394	DR2496	SPG	70X95X13
D6ZZ7052A	FORD	7692S	D9AW4676AA	FORD	3604	DE51142	ALLCH	476838!	DR2525	SPG	25X50X10
D70775	GAL	472924!	D9AZ3B592A	FORD	471538	DE51188	ALLCH	471341!	DR2551	SPG	40X56X10!
D70776	GAL	417252	D9AZ4676A	FORD	3604	DE51737	ALLCH	471820	DR2551	SPG	712551
D70792	GAL	470898	D9AZ467AA	FORD	3604	DE5534	ALLCH	471554!	DR2590	SPG	25X45X8
D71206	GAL	472164!	D9BW4676A2A	FORD	472070	DE55645	ALLCH	472394	DR2591	SPG	222745
D71207	GAL	413248	D9BW4676AA	FORD	472070	DE55646	ALLCH	471271!	DR2591	SPG	27X45X8!
D71402	GAL	415995!	D9BZ-7052A	FORD	7692S	DE55648	ALLCH	471271!	DR2597	SPG	10X19X7!
D71417	GAL	413248	D9BZ1177A	FORD	3214	DE56591	ALLCH	240119	DR2597	SPG	221040
D7217	WHITE	471539!	D9BZ1177B	FORD	3214	DE5798	ALLCH	415023	DR2607	SPG	45X80X10
D72594	GAL	456967V!	D9BZ4676A	FORD	472070	DE60255	ALLCH	473419	DR261136	SHOV	240435
D72836	GAL	416229	D9HZ6700A	FORD	710210	DE60256	ALLCH	474264	DR2613	SPG	1015N
D72837	GAL	471271!	D9NN-7048-BA	FORD	472150	DE62642	ALLCH	455583N!	DR2613	SPG	18X28X6!
D73740	CASE	415991	D9TZ7052A	FORD	473442!	DE64411	ALLCH	471539!	DR2622	SPG	20X35X7!
D73740	CASE	415991!	D9TZ7B215A	FORD	3173	DE67238	ALLCH	470596	DR2649	SPG	30X55X10
D74734	GAL	415449!	D9TZ7B215A	FORD	710928	DE67592	ALLCH	472397!	DR2656	SPG	15X30X7
D74745	GAL	417480!	DA320	EMSCO	415991	DE68324	ALLCH	413246	DR2663	SPG	70X85X8
D75082	KOEHL	416167!	DA320	EMSCO	455146!	DE69324	ALLCH	413246	DR2665	SPG	224820
D75464	GAL	415483	DA3724	JA-HE	471646!	DE70359	ALLCH	417354!	DR2665	SPG	48X62X8!
D76003	GAL	473473	DAX10680	GMC	416888	DE70419	ALLCH	471763	DR2720	SPG	160X200X12
D76745	KOEHL	416888=	DAX2769	GMC	470380!	DE7359	ALLCH	417354!	DR2748	SPG	150X180X12
D768-011	FORSH	710413	DAX6717	GMC	472258!	DF1600	LETN	416239!	DR2843	SPG	224570
D77768	GAL	472492!	DB114	EMSCO	450133	DF699	LETN	415138!	DR2874	SPG	65X85X10
D79884	GAL	471689!	DC2173	LETN	473462	DGP13594	FAIRB	470712!	DR2886	SPG	24X35X7
D79998	GAL	473449	DC2174	LETN	471766!	DGP13954	FAIRB	472144!	DR2892	SPG	229006
D7AR7A283AA	FORD	3638	DC38	EMSCO	417205!	DGP14124	FAIRB	416271!	DR2892	SPG	229010
D7AZ-3E502A	FORD	471645	DC3959	LETN	416666	DHT-55065	MARMO	415984!	DR2901	SPG	222860
D7HA1175A1A	FORD	370003A	DC4823	LETN	472179	DHT-55066	MARMO	417485	DR3011	SPG	35X62X10
D7HS1190CA	FORD	370132A	DC4988	LETN	411245!	DHT55020	MARMO	415371	DR3022	SPG	140X160X12
D7HZ1175A	FORD	370003A	DC57	EMSCO	412040	DHT55021	MARMO	417621!	DR3027	SPG	35X45X7
D7HZ1175D	FORD	370003A	DC7147	LETN	472636!	DK2781	F-R-H	417516	DR3066	SPG	40X55X6
D7HZ1175E	FORD	370121A	DC7148	LETN	415187	DM14	LK-BT	455019!	DR3090	SPG	1012
D7HZ4676A	FORD	415082	DC7149	LETN	472397!	DMX4200	ALLCH	340413	DR3090	SPG	1012N
D7HZ4676B	FORD	3591	DC8061	LETN	416654!	DO10071	GMC	450068	DR3090	SPG	45X62X8!
D7HZ7B215A	FORD	417316!	DC8157	LETN	412725	DO10778	GAL	455024	DR3112	SPG	65X90X13
D7RZ6701A	FORD	473573	DD126	OLIVE	471341!	DO20	ATP	7751H	DR3190	SPG	8316
D7TT7048CA	FORD	3388	DD16	FUNK	472185!	DO23	ATP	472164	DR3209	SPG	224850
D82559	GAL	416664!	DD16B16	FUNK	473229	DO7	ATP	470774!	DR3209	SPG	48X72X7!
D87224	CASE	456967V!*	DD2037	LETN	416288!	DP1648	ADAMS	415995!	DR3210	SPG	25X36X7
D8AZ-3B592-A	FORD	471538	DD3293	LETN	417205!	DP1648	LETN	415995!	DR327	SPG	125X150X12!
D8BW1177AA	FORD	8660S	DD75269	FABCO	410825	DP1648	WABCO	415995!	DR327	SPG	231250
D8BW4676AA	FORD	3604	DD80	EMSCO	415302	DR-1086	SPG	221122	DR3287	SPG	85X105X13
D8BZ1177A	FORD	8660S	DD8042	LETN	455020	DR0004	SPG	224025	DR3309	SPG	25X36X8
D8BZ4676A	FORD	3604	DDN-3539	FORD	223510	DR0009	SPG	226480	DR3310	SPG	223610
D8BZ4676AA	FORD	3604	DE10030	ALLCH	450593!	DR0945	SPG	222510	DR3310	SPG	36X54X7.5
D8HZ4573C	FORD	412473	DE10487	ALLCH	471750!	DR0945	SPG	25X35X7!	DR3310	SPG	710197!
D8HZ4676A	FORD	3136N	DE10523	ALLCH	471192	DR1050	SPG	14X28X6	DR3316	SPG	75X100X10
D8NN-1190CA	FORD	4162	DE10986	ALLCH	471466!	DR1066	SPG	28X38X7	DR3333	SPG	1037
D8NN6701AA	FORD	3341	DE1106	ALLCH	418028	DR1075	SPG	60X75X8	DR3335	SPG	22X35X7
D8NN6701BA	FORD	3341	DE1106	ALLCH	455137!	DR1078	SPG	78X100X10	DR3336	SPG	68X90X10
D8RZ1175A	FORD	3395!	DE11125	ALLCH	474281!	DR1134	SPG	224040	DR3343	SPG	224270
D8RZ1177A	FORD	3392	DE11323	ALLCH	416332!	DR1134	SPG	40X60X10!	DR3347	SPG	85X110X12
D8RZ1177B	FORD	3392	DE1461	ALLCH	471137	DR1137	SPG	28X47X7!	DR3352	SPG	65X90X10!
D8TR7A283AA	FORD	471652	DE1537	ALLCH	471763	DR1141	SPG	15X35X7	DR3374	SPG	40X52X7!
D8TR7A283AB	FORD	482208!	DE15694	ALLCH	415234!	DR162	SPG	15X24X7	DR3375	SPG	15X32X8
D8TR7A283AB	FORD	3638	DE2452	ALLCH	450040	DR1788	SPG	231404	DR340	SPG	130X170X15

! Industrial Size/Type * Minor Width Difference = Call 1-800-480-1212 for price and delivery.

ALPHABETICAL

Zero Duplication or Recommended Industrial		Zero Duplication or Recommended Industrial		Zero Duplication or Recommended Industrial		Zero Duplication or Recommended Industrial					
Mfr. No.	Name	Mfr. No.	Name	Mfr. No.	Name	Mfr. No.	Name				
DR3435	SPG	110X135X13	DR4109	SPG	1992	DR5093	SPG	32X45X7	DR6219	SPG	44X72X10!
DR3455	SPG	229520	DR4109	SPG	45X65X8!	DR5110	SPG	223014	DR6220	SPG	225875
DR3455	SPG	95X130X12!	DR4112	SPG	50X65X8!	DR5119	SPG	224100	DR6220	SPG	58X75X11!
DR3465	SPG	145X170X12	DR4113	SPG	50X68X8!	DR5119	SPG	40X65X10!	DR6221	SPG	231404
DR3474	SPG	70X100X13	DR4123	SPG	50X72X8	DR5121	SPG	30X50X7	DR6231	SPG	1979
DR3490	SPG	17X30X7	DR4124	SPG	225230	DR5126	SPG	225005	DR6232	SPG	493637
DR3502	SPG	80X110X12	DR4124	SPG	52X72X8!	DR5126	SPG	50X62X7!	DR6234	SPG	222655
DR3516	SPG	222820	DR4126	SPG	55X72X8!	DR5146	SPG	227540	DR6234	SPG	26X48X7!
DR3516	SPG	28X40X7!	DR4128	SPG	58X72X8	DR5146	SPG	227550	DR6272	SPG	223830
DR3535	SPG	30X40X7!	DR4138	SPG	50X80X8	DR5146	SPG	75X100X12!	DR6272	SPG	38X55X7!
DR3536	SPG	27X37X7	DR4140	SPG	55X80X8	DR5173	SPG	1175	DR6279	SPG	332134
DR3537	SPG	130X160X12	DR4143	SPG	58X80X8	DR5183	SPG	1979	DR6320	SPG	712020
DR3551	SPG	35X47X7	DR4145	SPG	226020	DR5220	SPG	20X30X7!	DR6380	SPG	223014
DR3573	SPG	225872	DR4151	SPG	60X85X8	DR5220	SPG	222025!	DR6380	SPG	30X45X5!
DR3581	SPG	120X145X12!	DR4162	SPG	72X95X10	DR5265	SPG	471224	DR6383	SPG	70X95X10!
DR3581	SPG	231204	DR4163	SPG	75X95X10	DR5308	SPG	471466	DR6389	SPG	85X105X10!
DR3589	SPG	120X145X12!	DR4165	SPG	65X100X10	DR5312	SPG	322353	DR6401	SPG	223010
DR3589	SPG	231204	DR4167	SPG	68X100X13	DR5340	SPG	340387	DR6445	SPG	716445
DR3641	SPG	222540	DR4175	SPG	229006	DR5357	SPG	471255!	DR6456	SPG	3392
DR3672	SPG	52X69X10	DR4177	SPG	85X120X12	DR5374	SPG	350877	DR6468	SPG	223005
DR3691	SPG	710216	DR4178	SPG	90X120X12	DR5374	SPG	471633!	DR6469	SPG	716102
DR3736	SPG	17X32X7	DR4179	SPG	95X120X12	DR5381	SPG	50X75X12	DR6470	SPG	222556
DR3737	SPG	18X32X8	DR4180	SPG	100X120X12	DR5386	SPG	223035	DR6471	SPG	222267
DR3761	SPG	32X45X7	DR4182	SPG	100X125X12	DR5431	SPG	48X72X7!	DR6472	SPG	1172
DR3769	SPG	223255	DR4183	SPG	100X130X12!	DR5433	SPG	224015	DR6474	SPG	1108
DR3769	SPG	32X52X7!	DR4184	SPG	105X130X12	DR5446	SPG	2008	DR6481	SPG	228008
DR3776	SPG	44X60X10!	DR4186	SPG	110X130X12	DR5502	SPG	30X72X10	DR6484	SPG	716484
DR3796	SPG	100X120X10	DR4188	SPG	105X140X12	DR5503	SPG	35X72X10	DR6507	SPG	1037
DR3832	SPG	200X230X15!	DR4193	SPG	120X140X13!	DR5506	SPG	144X160X12	DR6527	SPG	222510
DR3869	SPG	55X90X13	DR4193	SPG	717004	DR5550	SPG	224460	DR700181	SPG	722108
DR3892	SPG	16X28X7	DR4197	SPG	120X160X12	DR5574	SPG	190X220X16	DR7035	SPG	223012
DR3980	SPG	19X35X10!	DR4198	SPG	125X160X12	DR5580	SPG	130X160X15	DR7035	SPG	30X44X7!
DR4003	SPG	6X22X7	DR4200	SPG	140X160X13!	DR5600	SPG	3771	DR7064	SPG	710077
DR4004	SPG	7X22X7	DR4205	SPG	145X175X15	DR5609	SPG	228009	DR7161	SPG	710443
DR4008	SPG	10X22X7	DR4206	SPG	150X180X15	DR5620	SPG	55X78X10	DR7203	SPG	228480
DR4019	SPG	15X26X7	DR4208	SPG	160X190X15	DR5655	SPG	223543	DR7216	SPG	223801!
DR4021	SPG	12X28X7!	DR4209	SPG	170X200X15	DR5655	SPG	35X56X10!	DR7223	SPG	1979
DR4021	SPG	12X30X7	DR4210	SPG	180X210X15	DR5663	SPG	72X100X12	DR7225	SPG	1214
DR4024	SPG	12X30X7	DR4228	SPG	224220	DR5721	SPG	52X68X8!	DR7225	SPG	1214N
DR4027	SPG	16X30X7	DR4232	SPG	25X42X10	DR5722	SPG	223606	DR7226	SPG	473274
DR4029	SPG	18X30X7!	DR4269	SPG	35X50X8!	DR5722	SPG	26X42X10!	DR7227	SPG	224235
DR4029	SPG	221820	DR4270	SPG	224560	DR5728	SPG	225505	DR7227	SPG	42X58X7!
DR4033	SPG	15X32X8	DR4270	SPG	45X68X7!	DR5728	SPG	55X70X8!	DR7228	SPG	471442!
DR4038	SPG	16X35X7	DR4276	SPG	224020	DR5733	SPG	20X52X7	DR7229	SPG	473010!
DR4045	SPG	17X40X7	DR4276	SPG	40X55X8!	DR5744	SPG	56X72X7	DR7230	SPG	416154!
DR4046	SPG	18X40X7	DR4401	SPG	225035	DR5801	SPG	224252	DR7231	SPG	223620
DR4048	SPG	22X40X8	DR4465	SPG	222535	DR5811	SPG	52X75X12	DR7232	SPG	223014*
DR4050	SPG	24X40X7!	DR4465	SPG	25X38X7!	DR5815	SPG	55X75X8	DR7233	SPG	472572!
DR4051	SPG	222540	DR4512	SPG	228020	DR5826	SPG	56X68X10	DR7234	SPG	470954!
DR4051	SPG	25X40X7!	DR4512	SPG	80X105X13!	DR5880	SPG	130X160X15	DR7237	SPG	1213N
DR4054	SPG	25X42X6	DR4513	SPG	1884	DR5957	SPG	225460	DR7242	SPG	227040
DR4056	SPG	30X42X7!	DR4530	SPG	223542	DR5957	SPG	54X85X10!	DR7251	SPG	228480
DR4060	SPG	20X47X7	DR4530	SPG	35X55X11!	DR5980	SPG	221610	DR766	SPG	60X80X8!
DR4061	SPG	22X47X7	DR4538	SPG	20X42X7	DR6052	SPG	227409	DR858	SPG	239127
DR4062	SPG	24X47X7	DR4576	SPG	62X80X10	DR6062	SPG	228010	DR86	SPG	224045
DR4063	SPG	25X47X7	DR4586	SPG	220X250X15	DR6069	SPG	2011	DR86	SPG	40X62X12!
DR4064	SPG	26X47X7	DR4617	SPG	55X75X10	DR6101	SPG	226001	DR898	SPG	80X100X10!
DR4067	SPG	30X47X7	DR4619	SPG	30X48X8!	DR6102	SPG	716102	DR945	SPG	222510
DR4068	SPG	32X47X7!	DR4672	SPG	38X60X10	DR6125	SPG	2000	DR945	SPG	25X35X7!
DR4072	SPG	35X50X7	DR4725	SPG	55X85X10	DR6125	SPG	224235	DR947	SPG	17X28X7
DR4075	SPG	25X52X10	DR4738	SPG	54X82X10	DR6125	SPG	42X58X7!	DR949	SPG	22X32X7
DR4079	SPG	35X52X7	DR4746	SPG	223620	DR6127	SPG	712010	DR952	SPG	14X24X7!
DR4086	SPG	42X55X8!	DR4772	SPG	42X72X10!	DR6128	SPG	712003	DR958	SPG	20X40X10
DR4094	SPG	45X60X8	DR4894	SPG	40X58X8	DR6129	SPG	712004	DR962	SPG	28X42X8!
DR4096	SPG	30X62X7	DR4903	SPG	225420	DR6150	SPG	12X25X7	DR968	SPG	222240
DR4097	SPG	35X62X7!	DR4903	SPG	54X72X10!	DR6151	SPG	1041	DR968	SPG	22X40X7!
DR4100	SPG	38X62X7	DR4912	SPG	45X72X10	DR6154	SPG	229005	DS13	VICK	473447
DR4101	SPG	45X62X7	DR4914	SPG	30X50X8	DR6155	SPG	225020	DSD18286	NOK	1015N
DR4102	SPG	42X62X8	DR4945	SPG	17X40X7	DR6186	SPG	2025	DTA72646	FMC	471571
DR4104	SPG	1012	DR4983	SPG	115X140X12	DR6218	SPG	223240	DTA72647	FMC	472560N!
DR4104	SPG	1012N	DR5022	SPG	224835	DR6218	SPG	32X48X8!	DTA72648	FMC	471271!
DR4104	SPG	45X62X8!	DR5022	SPG	48X68X10!	DR6219	SPG	224470	DTA72649	FMC	416919

! Industrial Size/Type * Minor Width Difference

Zero Duplication or Recommended		Zero Duplication or Recommended		Zero Duplication or Recommended		Zero Duplication or Recommended	
Mfr. No.	Name	Mfr. No.	Name	Mfr. No.	Name	Mfr. No.	Name
DTA72887	FMC	E0TZ4676A	FORD	E1SM6700A4A	FORD	E32252015	IH
DTA84924	FORD	E0TZ4676B	FORD	E1TZ4676A	FORD	E32252033	IH
DV1612	DALMO	E0TZ7B215A	FORD	E1TZ7B215A	FORD	E32252038	IH
DVL4845	MARMO	E0TZ7B215B	FORD	E1TZ7B215B	FORD	E32354E	JOHND
DW300208-5	TROS	E0TZ7B215C	FORD	E1TZ7B215B	FORD	E328332	IH
DX-028	COC	E0TZ7B215D	FORD	E20366E	JOHND	E354040TA	SPG
DX13735	GMC	E0W1177AA	FORD	E207	MINNM	E354041TA	SPG
DX1668	GMC	E0ZR7052BA	FORD	E20811	FULLE	E36542	JOHND
DX1780	GMC	E0ZR7288AA	FORD	E21330	FULLE	E36910	FULLE
DX2202	GMC	E0ZZ-7A283A	FORD	E2136	FULLE	E37542	JOHND
DX23256	GMC	E0ZZ7052A	FORD	E2136	FULLE	E37A-3B470AB	FORD
DX24039	GMC	E0ZZ7288A	FORD	E215	PORTR	E37A1190AB	FORD
DX24040	GMC	E0ZZ7288B	FORD	E217	PORTR	E37A1190BA	FORD
DX26099	GMC	E1050930	SPICE	E21812	FULLE	E38705	WILYS
DX26208	GMC	E1091	EUCLD	E21830	FULLE	E38707	WILYS
DX2815	GMC	E11093	AT SU	E227	PORTR	E38714	WILYS
DX28649	GMC	E1110	WHITE	E2340	EUCLD	E3EC-1N013-AA	FORD
DX30028	MASSE	E1127699	CHRY	E2341	EUCLD	E3FZ-3K070-A	FORD
DX30183	MASSE	E11381	GEM	E23614	FULLE	E3FZ7A011A	FORD
DX30765	MASSE	E11449	GEM	E2400300	CHRY	E3FZ7F401A	FORD
DX31660	MASSE	E11923	GEM	E2431	EUCLD	E3HZ1190B	FORD
DX32980	GMC	E1269	EUCLD	E2432	EUCLD	E3HZ1190B	FORD
DX3472	GMC	E13232	IH	E2433	EUCLD	E3HZ1190C	FORD
DX3473	GMC	E13993	IH	E2434	EUCLD	E3HZ1190C	FORD
DX35048	GMC	E1443	WHITE	E2435	EUCLD	E3HZ4573A	FORD
DX38472	GMC	E1471180	ALLCH	E2436	EUCLD	E3HZ4573C	FORD
DX38493	GMC	E1471545	ALLCH	E2437	EUCLD	E3HZ4674A	FORD
DX39218	GMC	E15419	GEM	E2438	EUCLD	E3HZ4676A	FORD
DX41675	GMC	E1569	WHITE	E25091	EATON	E3HZ4676B	FORD
DX43140	GMC	E1582	WHITE	E2556	FULLE	E3HZ4676C	FORD
DX44455	GMC	E1588	OLIVE	E2556	FULLE	E3HZ7048A	FORD
DX44689	GMC	E1590	OLIVE	E27012	FULLE	E3TC-3591-AA	FORD
DX49720	GMC	E1590	WHITE	E27W4676A1A	FORD	E3TW1177A1A	FORD
DX5309	GMC	E16468E	JOHND	E27W4676AA	FORD	E3TW1177A2A	FORD
DX54461	GMC	E17609	JOHND	E28263	FULLE	E3TZ-1S177A	FORD
DX75341	MASSE	E17609E	JOHND	E28265	FULLE	E3TZ-3591-B	FORD
DY11683	EATON	E18979	JOHND	E29006	IH	E3TZ-3738-A	FORD
DY11683	EATON	E18979	JOHND	E2DZ-7052A	FORD	E3TZ-3B470B	FORD
DY11730	EATON	E18979E	JOHND	E2HS1131BA	FORD	E3TZ-7052C	FORD
DY11731	EATON	E193	GRAY	E2HS1175AA	FORD	E3TZ1175A	FORD
E0A1175	FORD	E19501	GEM	E2HS1175BA	FORD	E3TZ1175B	FORD
E0DT7052A3A	FORD	E19505	GEM	E2HS1175CA	FORD	E3TZ1175C	FORD
E0DW1177AA	FORD	E19799	GEM	E2HS1175DA	FORD	E3TZ1175D	FORD
E0DZ1177B	FORD	E19869	GEM	E2HS1190AA	FORD	E3TZ1177A	FORD
E0ET7048AA	FORD	E19897	JOHND	E2HS1190CA	FORD	E3TZ1190A	FORD
E0ET7048AA	FORD	E19897E	JOHND	E2HT1190AA	FORD	E3TZ1190B	FORD
E0ET7052AA	FORD	E1AP-7052BA	FORD	E2HT1190AA	FORD	E3TZ1190C	FORD
E0HT1190AA	FORD	E1AP-7052BA	FORD	E2HT1190BA	FORD	E3TZ1190D	FORD
E0HT1190AA	FORD	E1AP7052A	FORD	E2HT1190BA	FORD	E3TZ3254A	FORD
E0HZ4676A	FORD	E1AP7052AA	FORD	E2HZ1177A	FORD	E3TZ3254B	FORD
E0HZ4676B	FORD	E1AW1177AA	FORD	E2TA1190AA	FORD	E3TZ3254C	FORD
E0HZ7052A	FORD	E1AZ1177A	FORD	E2TA1190AA	FORD	E3TZ3591A	FORD
E0NN1190AA	FORD	E1AZ1177B	FORD	E2TA1190CA	FORD	E3TZ3B470A	FORD
E0RZ7288A	FORD	E1EP7F401A2A	FORD	E2TE6701A2A	FORD	E3TZ4676A	FORD
E0TA1175AA	FORD	E1EW1177A1A	FORD	E2TW4676AA	FORD	E3TZ4676B	FORD
E0TA1190B1A	FORD	E1EW1177A3A	FORD	E2TZ4676A	FORD	E3TZ6700A	FORD
E0TA6362	FORD	E1FZ1175A	FORD	E2ZE6701A4A	FORD	E3TZ6700B	FORD
E0TW1177A1A	FORD	E1FZ1177A	FORD	E2ZE6701A4A	FORD	E3TZ6700C	FORD
E0TW1177A2A	FORD	E1FZ6700A	FORD	E2ZE6701AA	FORD	E3TZ6701A	FORD
E0TW1177BA	FORD	E1FZ6701A	FORD	E2ZZ6701A	FORD	E3TZ6701C	FORD
E0TW4676A1A	FORD	E1FZ6701A	FORD	E2ZZ7052A	FORD	E3TZ7052A	FORD
E0TZ1175A	FORD	E1FZ6K292A	FORD	E2ZZ7288A	FORD	E3TZ7A011	FORD
E0TZ1177A	FORD	E1FZ7A011A	FORD	E30479	JOHND	E3TZ7B215A	FORD
E0TZ1177B	FORD	E1FZ7B498A	FORD	E312260SS	SPG	E3TZ7B215B	FORD
E0TZ1177C	FORD	E1FZ7F401A	FORD	E313290SS	SPG	E3TZ7B215C	FORD
E0TZ1190A	FORD	E1HT1175AA	FORD	E3145BJ	SPG	E3TZ7B215D	FORD
E0TZ1190B	FORD	E1HT1175BA	FORD	E3159	CHRY	E3TZ7B215E	FORD
E0TZ1190C	FORD	E1HZ1175A	FORD	E3160	CHRY	E3TZ7B215F	FORD
E0TZ1190D	FORD	E1HZ1175B	FORD	E31920	JOHND	E3TZ7B215G	FORD
E0TZ1190E	FORD	E1HZ4676A	FORD	E31925	JOHND	E3TZ7B215H	FORD
E0TZ3254A	FORD	E1HZ4676A	FORD	E31926	JOHND	E400B-20	CONTI
E0TZ3254B	FORD	E1NN3N632AA	FORD	E32037M	CHRY	E4093SS	SPG

! Industrial Size/Type * Minor Width Difference = Call 1-800-480-1212 for price and delivery.

ALPHABETICAL

Zero Duplication or Recommended Industrial		Zero Duplication or Recommended Industrial		Zero Duplication or Recommended Industrial		Zero Duplication or Recommended Industrial					
Mfr. No.	Name	Mfr. No.	Name	Mfr. No.	Name	Mfr. No.	Name				
E4099CA	SPG	4099	E5HT1190DA	FORD	380001A	E6HZ1175E	FORD	370023A	E7HZ6700A	FORD	712511
E4101BG	SPG	5109	E5HZ1190A	FORD	370132A	E6HZ1190A	FORD	370132A	E7HZ6700B	FORD	710210
E4110CA	SPG	5123	E5HZ4573A	FORD	100494	E6HZ1190D	FORD	370001A	E7HZ7052A	FORD	417316
E43E6700A2A	FORD	714075	E5HZ4573A	FORD	476470	E6HZ1190D	FORD	380001A	E7HZ7918A	FORD	713750
E43E6700D	FORD	223420	E5HZ4676A	FORD	417986N	E6HZ4676B	FORD	4564V	E7TA1190BA	FORD	4160
E43Z6700A	FORD	714075	E5HZ4676B	FORD	415082	E6HZ4676D	FORD	415088	E7TZ1177A	FORD	2146
E43Z6700A2A	FORD	714075	E5NN-4969-A	FORD	713166	E6HZ6701A	FORD	712449	E7TZ1190A	FORD	710091
E43Z6700B	FORD	223012	E5NN6701BA	FORD	712449	E6HZ6701B	FORD	712449	E7TZ1190B	FORD	4160
E43Z6700E	FORD	30X44X7!	E5RY1177A	FORD	224250	E6HZ7048A	FORD	710211	E7TZ7052B	FORD	713771
E43Z6700D	FORD	223420	E5RY1177A	FORD	224253	E6HZ7052A	FORD	712512	E7TZ7052C	FORD	1217
E43Z6700F	FORD	714075	E5RY1177A	FORD	42X62X8!	E6SP1177AA	FORD	3622	E7TZ7052D	FORD	1209
E43Z6700E	FORD	223012	E5RY4676A	FORD	712011	E6SP7F401AA	FORD	4189H	E7TZ7B215-A	FORD	710402
E43Z6700F	FORD	30X44X7!	E5TE6700A2A	FORD	2942	E6TA1190AA	FORD	4148	E7TZ7B215B	FORD	714503
E43Z6700G	FORD	223235	E5TW1177AA	FORD	710067	E6TE6700A2A	FORD	710210	E7UZ4676A	FORD	719316
E43Z6701A	FORD	229005	E5TW1177BA	FORD	370047A	E6TE6700AA	FORD	710210	E80420	WILYS	470898!
E43Z7288A	FORD	710274	E5TW4676BA	FORD	4278	E6TZ-1S190A	FORD	4148	E804820	WILYS	470898!
E4400RX	SPG	4400 =	E5TZ-3332-A	FORD	710304	E6TZ1190A	FORD	4148	E810751	WILYS	240733
E4401RX	SPG	4401 =	E5TZ1177A	FORD	710067	E6TZ6700A	FORD	2012V	E83Z4676A	FORD	472258
E44082	CUMMI	473224!	E5TZ1177B	FORD	370047A	E6TZ6701A	FORD	5118	E83Z6700A	FORD	714075
E44473	CUMMI	330385	E5TZ1190A	FORD	6815	E6TZ7B216A	FORD	330385!	E844	NOVO	474264
E44583	CUMMI	470059	E5TZ3254A	FORD	710095	E6ZE6700A2A	FORD	2955	E845	NOVO	470059
E44583	CUMMI	470380!	E5TZ4676A	FORD	4278	E6ZE6700AA	FORD	2955	E845	NOVO	470380!
E45	NOVO	470059	E5TZ4676B	FORD	4278	E6ZE6701A2A	FORD	3909	E865	NORDG	450326
E45	NOVO	470380!	E5TZ4676C	FORD	9316	E6ZE6701A2A	FORD	5277	E86884	CHRY	471413
E45116	CUMMI	470954!	E5TZ6700A	FORD	16X28X7!	E70	BRAD	471652	E87W4676AA	FORD	4278
E45123	CUMMI	472810!	E5TZ6700A	FORD	221610	E7059144	LUF	417549!	E87W4676BA	FORD	3604
E45374	CUMMI	472409	E5TZ6700B	FORD	224660	E7059160	LUF	55469	E8BZ-1177B	FORD	2007N
E456500SS	PACIF	416500!	E5TZ6700C	FORD	2942	E7066676	LUF	472397!	E8BZ1177A	FORD	1126
E45Y6700A	FORD	223801!	E5TZ6700D	FORD	712007	E7066677	LUF	476470	E8BZ7A011A	FORD	222238
E45Y6701A	FORD	229005	E5TZ6701A	FORD	228005	E7075330	LUF	473225	E8DE6701AA	FORD	3772
E472858VG	SPG	5133	E5TZ6701C	FORD	2377	E7075331	LUF	411376!	E8DE6701AP	FORD	3772
E47805XA	SPG	8370S	E5TZ6701D	FORD	3893V	E7075332	LUF	473239!	E8DZ6701A	FORD	3772
E48313	JOHND	204017	E5TZ7052A	FORD	223014	E7075592	LUF	476871 =	E8GY-1177A	FORD	1973
E49968	JOHND	3095	E5TZ7052A	FORD	30X45X5!	E7075593	LUF	471272!	E8HZ7B215A	FORD	39920
E4EE6701A2A	FORD	3772	E5TZ7052B	FORD	2655	E7075689	LUF	415645!	E8TW1177BA	FORD	370047A
E4FZ6701A	FORD	3772	E5TZ7A248A	FORD	2658	E7075689	LUF	455104	E8TW4676AA	FORD	4278
E4HN6701AA	FORD	712449	E5TZ7B215A	FORD	472572	E7075690	LUF	474274	E8TZ-4676B	FORD	4278
E4HT1175AA	FORD	370003A	E5ZZ6701A	FORD	3909	E7075786	LUF	415725!	E8TZ-7052B	FORD	223012
E4HZ1175B	FORD	370003A	E619	NOVO	450593!	E7075788	LUF	415867	E8TZ1175A	FORD	418028
E4HZ4478A	FORD	4561V	E620	OLIVE	472299	E7075792	LUF	417603!	E8TZ1177B	FORD	370047A
E4HZ4573A	FORD	100495	E620	WHITE	472299	E7075813	LUF	417343!	E8TZ4676A	FORD	4525V
E4HZ4573A	FORD	4810V	E62795	AT SU	481864	E7076823	LUF	417433!	E8TZ4676C	FORD	3604
E4HZ4676A	FORD	100263	E62GE9	FORD	473446	E7077966	LUF	471466!	E8TZ7050E	FORD	223535
E4HZ4676A	FORD	3905	E632008	GMC	416865!	E71	BRAD	471267!	E8TZ7052A	FORD	1990
E4HZ4676B	FORD	3143N	E634125-3	LEROI	415437	E711456	GMC	416951	E8TZ7052C	FORD	7692S
E4HZ7050C	FORD	473814	E63568	GMC	416158	E71175M	CHRY	471571	E8TZ7052D	FORD	1981
E4HZ7B215A	FORD	330749V	E63E6700AA	FORD	714075	E728	NOVO	471763	E8TZ7052F	FORD	223608
E4HZ7B215B	FORD	5133	E653724	GMC	471652	E729	NOVO	471689!	E8TZ7B215A	FORD	4503N
E4HZ7B215C	FORD	39930	E663125-3	LEROI	415437	E755	NOVO	471255!	E8ZZ6700A	FORD	2955
E4LY-7A248A	FORD	224052	E66943M	CHRY	471750!	E756	NOVO	471570!	E9020080	LUF	471567!
E4TE6701AA	FORD	5118	E66944M	CHRY	416892!	E759286	LUF	417567	E9020090	LUF	471267!
E4TW4676A1A	FORD	3604	E67409M	CHRY	417563	E7AZ6701A	FORD	2377	E9020097	LUF	471646!
E4TZ-7B215A	FORD	4333N	E67410M	CHRY	417563	E7EE6701A1A	FORD	3772	E9020100	LUF	470590
E4TZ1190A	FORD	4250	E682661	GMC	415483	E7FZ6700A	FORD	3771	E9020120	LUF	471689!
E4TZ3254A	FORD	710043	E693	OLIVE	473239	E7FZ6701A	FORD	3772	E9020130	LUF	470712!
E4TZ3254B	FORD	710043	E6AE6700A2A	FORD	350936	E7FZ6K292A	FORD	3774	E9020135	LUF	2669
E4TZ3B470A	FORD	722108	E6DC1249AA	FORD	6815	E7GZ-1177A	FORD	4990	E9020180	LUF	470625!
E4TZ4676A	FORD	5778	E6DW-117AA	FORD	8835S	E7GZ-1177B	FORD	710323	E9020198	LUF	473232!
E4TZ4676C	FORD	5778	E6DW1177AA	FORD	3622	E7GZ-1177C	FORD	1213N	E9020210	LUF	473236!
E4ZE6701A2A	FORD	3772	E6DZ1177A	FORD	3622	E7GZ-1177D	FORD	2007N	E9020220	LUF	472185!
E500093901	WHITE	415035 =	E6DZ1177AM	FORD	3622	E7GZ-1177E	FORD	2007N	E9020225	LUF	472185!
E50607	JOHND	291099	E6DZ1249A	FORD	6815	E7GZ12143A	FORD	427RR	E9020227	LUF	473238!
E53786M	CHRY	471689!	E6DZ3591A	FORD	710504	E7GZ6700A	FORD	223012	E9020230	LUF	473462
E54058	JOHND	472535	E6DZ6700A	FORD	350936	E7GZ6701A	FORD	228250	E9020240	LUF	471833
E544145	FULLE	471413	E6DZ7F401A	FORD	4189H	E7GZ6701A	FORD	710448	E9020250	LUF	471833
E5DW4676AA	FORD	3604	E6EE6700A2A	FORD	3771	E7GZ7288A	FORD	221620	E9020255	LUF	472016
E5DZ4676A	FORD	3604	E6EE6K292A2A	FORD	3774	E7GZ7A011A	FORD	222430	E9020260	LUF	473245!
E5HN6700AA	FORD	712511	E6FZ7F401A	FORD	4539H	E7HT1190AA	FORD	370001A	E9020270	LUF	471272!
E5HT1175CA	FORD	370023A	E6HS1175AA	FORD	370003A	E7HT1190AA	FORD	380001A	E9020279	LUF	413247!
E5HT1175GA	FORD	370003A	E6HS1175BA	FORD	370023A	E7HZ1175A	FORD	370047A	E9020280	LUF	413247!
E5HT1190AA	FORD	370132A	E6HT1175AA	FORD	370023A	E7HZ1190A	FORD	370001A	E9020285	LUF	417073
E5HT1190DA	FORD	370001A	E6HZ1175C	FORD	370023A	E7HZ4676A	FORD	417987N	E9020290	LUF	417073

! Industrial Size/Type = Call 1-800-480-1212 for price and delivery.

Zero Duplication or Recommended		Zero Duplication or Recommended		Zero Duplication or Recommended		Zero Duplication or Recommended	
Mfr. No.	Name	Industrial	Mfr. No.	Name	Industrial	Mfr. No.	Name
E9020300	LUF	415449!	E920110	LUF	471647	EE35781	OSHKO
E9020305	LUF	455655!	E920400	LUF	476470	EE35781	OSHKO
E9020310	LUF	415458!	E920400	LUF	476470!	EE35783	OSHKO
E9020320	LUF	455151!	E924175	WILYS	471558	EE363	MINNM
E9020330	LUF	417316!	E92Z-1177A	FORD	1932	EG2949CA2	SPG
E9020345	LUF	416654!	E92Z-1177B	FORD	224235	EH-135	LAZOR
E9020350	LUF	416654	E92Z-1S177AA	FORD	1932	EH-266	LAZOR
E9020360	LUF	417349!	E92Z-7F401A	FORD	710446	EH-292	LAZOR
E9020365	LUF	417349!	E92Z3C084A	FORD	710223	EH-294	LAZOR
E9020369	LUF	415995!	E92Z3C084B	FORD	710224	EH-295	LAZOR
E9020370	LUF	415995!	E92Z6700A	FORD	223420	EH14184	GEM
E9020370	LUF	415995!	E92Z6701A	FORD	229005	EH41594	CUMMI
E9020390	LUF	455022	E92Z7A011A	FORD	1990	EHX6011	ALLCH
E9020400	LUF	476470!	E92Z8507A	FORD	35418	EHX6012	ALLCH
E9020400	LUF	476470	E942	NOVO	472179	EJN7610041	AMBO
E9020405	LUF	415025	E951036	WILYS	472354!	EJN76120195	AMBO
E9020410	LUF	455026	E95841M	CHRYL	471705!	EJN80295	AMBO
E9020415	LUF	415991	E97127M	CHRYL	450339	EJN9012218	AMBO
E9020415	LUF	415991!	E973	NOVO	473419	EK475937HG	SPG
E9020420	LUF	415991	E99Z4676A	FORD	5778V	EK8515BX	SPG
E9020420	LUF	455146!	E9DZ6700A	FORD	1213N	EL-121	LAZOR
E9020425	LUF	415437	E9DZ6700B	FORD	710220	EL0900421	ROCKW
E9020440	LUF	417501	E9SW4B416AB	FORD	714569	EL0900626	CONDC
E9020445	LUF	415379	E9SW4B416BAB	FORD	4569V	EM-105	LAZOR
E9020450	LUF	415379	E9SZ4B416A	FORD	4569V	EM-108	LAZOR
E9020455	LUF	415379	E9SZ4B416A	FORD	714569	EM-130	LAZOR
E9020465	LUF	415034!	E9TP7052AA	FORD	7300S	EM103	LAZOR
E9020470	LUF	415034!	E9TP7A248A	FORD	3404	EM103	LAZOR
E9020480	LUF	415035!	E9TP7A248A	FORD	3404H	EM140	LAZOR
E9020480	LUF	415035!	E9TP7A248AA	FORD	3404	EM140	LAZOR
E9020485	LUF	415035	E9TP7A248AA	FORD	3404H	EM144	LAZOR
E9020485	LUF	475845!	E9TZ-7052A	FORD	7412S	EM144	LAZOR
E9020490	LUF	415035	E9TZ-7A248A	FORD	3404	EM153	LAZOR
E9020491	LUF	415036	E9TZ4676A	FORD	4525V	EM153	LAZOR
E9020495	LUF	415041	E9TZ7A248B	FORD	3404	ENH40859	CUMMI
E9020505	LUF	455194	EA223638	GMC	240733	EO-2	ATP
E9020510	LUF	416556!	EA223694	GMC	343185	EO-4	ATP
E9020510	LUF	472157	EA223910	GMC	451143	EO3	ATP
E9020515	LUF	415196!	EA223917	GMC	240731	EO3	ATP
E9020520	LUF	415196!	EAA5281203	AMBO	340413	EO5	ATP
E9020525	LUF	55199=	EAA602259	AMBO	340817	EO5	ATP
E9020530	LUF	55199=	EAA602275	AMBO	240414	EO6	ATP
E9020532	LUF	417525	EAA6336B	FORD	5596=	EOS882	PAARS
E9020540	LUF	416888!	EAA6700A	FORD	350936	EP46841	VIC
E9020545	LUF	416154!	EAA6700B	FORD	350936	EP468411	VIC
E9020550	LUF	416154!	EAA6700B1	FORD	350936	EP46842	VIC
E9020570	LUF	415351!	EAA6700B2	FORD	350936	EP46842	VIC
E9020580	LUF	417273	EAA6700B2	NOVI	350936	EP46842	VIC
E9020590	LUF	417273	EAA6700B4	FORD	350936	EP46847	VIC
E9020600	LUF	416865!	EAA6700BMR	FORD	350936	EP46847	VIC
E9020610	LUF	416865!	EAA6701A	FORD	5596=	EP46849	VIC
E9020622	LUF	417542	EAF18183A	FORD	472810!	EP47794	VIC
E9020645	LUF	55357	EAF6700A	FORD	350936	EP46236	VIC
E9020660	LUF	416107!	EAF6700B	FORD	350936	EP46236	VIC
E9020670	LUF	7006S	EAF6700F	FORD	350936	EP64410-1	VIC
E9020685	LUF	416666	EBK2155	AVCO	417509	EP64410-1	VIC
E9020690	LUF	455297	EBK2161	AVCO	470088	EP64410-2	VIC
E9020720	LUF	415072	EBU6348B	FORD	5479	EP64410-2	VIC
E9020750	LUF	417563	EC-236	LAZOR	494122	EP64410-3	VIC
E9020816	LUF	416364!	EC-263	LAZOR	474134	EP64414	VIC
E9020820	LUF	416364!	EC265	LAZOR	224570	EP64414-1	VIC
E9020822	LUF	416239!	EC265	LAZOR	45X72X12!	EP66	SPG
E9020828	LUF	416044	ECA13C69	GR-DV	J1124	EPS2787	AVCO
E9020850	LUF	415867	ECU9364A	FORD	12473	EPS2788	AVCO
E9020860	LUF	415551	ED-288	LAZOR	2002	EQ20900	LUF
E9020900	LUF	417601	EDX6004	ALLCH	450593!	ER90135	EATON
E9020905	LUF	417601	EE352	MINNM	472157	ER90302	EATON
E9020910	LUF	55301S	EE352	MINNM	472157!	ER90360	EATON
E9020960	LUF	415128	EE352A	MINNM	472157	ER90676	EATON
E9020965	LUF	415482	EE352A	MINNM	472157!	ER90839	EATON
E906292	AMC	472560N!	EE35716	OSHKO	472185!	ER90850	EATON
E906292	WILYS	472560N!	EE35775	OSHKO	471484!	ER91562	EATON
ER91563	EATON	471570!	EE35781	OSHKO	476470!	ER92999	EATON
ER92999	EATON	470954!	EE35781	OSHKO	476470	ER9531	EATON
ER9531	EATON	471442!	EE35783	OSHKO	411253!	ERJA245	CONTI
ERJA245	CONTI	240698	EE363	MINNM	473463	ERJA252	CONTI
ERJA252	CONTI	350974!	EG2949CA2	SPG	5131	ES1008-1	MCCOR
ES1008-1	MCCOR	9845	EH-135	LAZOR	227410	ES1164	AVCO
ES1164	AVCO	412871!	EH-266	LAZOR	473367	ES145	LAZOR
ES145	LAZOR	222745	EH-292	LAZOR	1938	ES145	LAZOR
ES145	LAZOR	27X45X8!	EH-294	LAZOR	1943	ES160	LAZOR
ES160	LAZOR	225005	EH-295	LAZOR	494117	ES160	LAZOR
ES160	LAZOR	50X62X7!	EH14184	GEM	240733	ES17687-1	MCCOR
ES17687-1	MCCOR	TCS45472	EH41594	CUMMI	471647	ES289	LAZOR
ES289	LAZOR	1012	EHX6011	ALLCH	473448	ES289	LAZOR
ES289	LAZOR	1012N	EHX6012	ALLCH	472164!	ES290	LAZOR
ES290	LAZOR	223255	EJN7610041	AMBO	471652	ES290	LAZOR
ES290	LAZOR	32X52X7!	EJN76120195	AMBO	472560N!	ES31512-1	MCCOR
ES31512-1	MCCOR	9845	EJN80295	AMBO	6863S!	ES31902-1	MCCOR
ES31902-1	MCCOR	TCS45725	EJN9012218	AMBO	240009	ES31902-1	MCCOR
ES31902-1	MCCOR	TCS45727	EK475937HG	SPG	415937	ES3575	AVCO
ES3575	AVCO	472164!	EK8515BX	SPG	5126	ES36173-1	MCCOR
ES36173-1	MCCOR	472082	EL-121	LAZOR	473179!	ES39499-1	MCCOR
ES39499-1	MCCOR	332062	EL0900421	ROCKW	415483!	ES39795-1	MCCOR
ES39795-1	MCCOR	5587	EL0900626	CONDC	472164!	ES97610	MCCOR
ES97610	MCCOR	TCS45473	EM-105	LAZOR	1984	ES97618	MCCOR
ES97618	MCCOR	TCS45689	EM-108	LAZOR	2008	ES97664	MCCOR
ES97664	MCCOR	TCS45633	EM-130	LAZOR	1990	ES97670	MCCOR
ES97670	MCCOR	TCS45434	EM103	LAZOR	1214	ES97698	MCCOR
ES97698	MCCOR	TCS45603	EM103	LAZOR	1214N	ES9845	MCCOR
ES9845	MCCOR	TCS45285	EM140	LAZOR	1215	ES9846	MCCOR
ES9846	MCCOR	17760	EM140	LAZOR	1215N	ES9847	MCCOR
ES9847	MCCOR	17780	EM144	LAZOR	1216	ES9848	MCCOR
ES9848	MCCOR	17795	EM144	LAZOR	1216N	ET-304	LAZOR
ET-304	LAZOR	227045	EM153	LAZOR	224020	ETC3589	AVCO
ETC3589	AVCO	240151	EM153	LAZOR	40X55X8!	EV4430	CLARK
EV4430	CLARK	471504!	ENH40859	CUMMI	330385	EVH42960	CUMMI
EVH42960	CUMMI	471264	EO-2	ATP	470460	EX10770	JAC
EX10770	JAC	471649!	EO-4	ATP	320564	EX10926	JAC
EX10926	JAC	471571	EO3	ATP	1167	EX1099211	JOHND
EX1099211	JOHND	476838!	EO3	ATP	710306	EX11241	KINGN
EX11241	KINGN	474276!	EO5	ATP	223840	EX11242	JAC
EX11242	JAC	340787	EO5	ATP	38X58X8!	EX11469	JAC
EX11469	JAC	474253!	EO6	ATP	473179	EX11508	JAC
EX11508	JAC	470954!	EOS882	PAARS	417433=	EX115650	AU-LI
EX115650	AU-LI	471765!	EP46841	VIC	376590A	EX11579	JAC
EX11579	JAC	340787	EP468411	VIC	370026A	EX11615	JAC
EX11615	JAC	471224!	EP46842	VIC	370036A	EX11616	JAC
EX11616	JAC	471567!	EP46842	VIC	370349A	EX11633	JAC
EX11633	JAC	470954!	EP46842	VIC	380036A	EX119120	AU-LI
EX119120	AU-LI	330385!	EP46847	VIC	370037A	EX12177	JAC
EX12177	JAC	471267!	EP46847	VIC	370338A	EX12614	MASSE
EX12614	MASSE	472439	EP46849	VIC	370027A	EX12620	MASSE
EX12620	MASSE	415995!	EP47794	VIC	370006A	EX12905	JAC
EX12905	JAC	471736	EP46236	VIC	386025A	EX13070	JAC
EX13070	JAC	472560N!	EP64410-1	VIC	416158	EX13294	JAC
EX13294	JAC	471750!	EP64410-1	VIC	370003A	EX15453	BENDI
EX15453	BENDI	471466!	EP64410-2	VIC	380003A	EX21384	JAC
EX21384	JAC	471766!	EP64410-2	VIC	370003A	EX23118B	GMC
EX23118B	GMC	7141=	EP64410-3	VIC	370003A	EX2730U	NORDG
EX2730U	NORDG	473227!	EP64414	VIC	370001A	EX27797	ALLCH
EX27797	ALLCH	480210!	EP64414-1	VIC	370001A	EX30827	C-P
EX30827	C-P	340817	EP66	SPG	722108	EX313	OLIVE
EX313	OLIVE	471192	EPS2787	AVCO	471689	EX3764	

Zero Duplication or Recommended		Zero Duplication or Recommended		Zero Duplication or Recommended		Zero Duplication or Recommended					
Mfr. No.	Name	Mfr. No.	Name	Mfr. No.	Name	Mfr. No.	Name				
EX52717ND	MASSE	450068	F0ZZ1190A	FORD	9150S	F3HT1175AA	FORD	380023A	F5109	FAIRM	415036
EX52862ND	MASSE	473225!	F11902	CASE	6241S	F3HZ4676A	FORD	100263	F51370	MARMO	416865!
EX53364ND	MASSE	417484!	F12546	FAIRM	473215!	F3HZ4676A	FORD	4562V	F5145	FAIRM	412119!
EX54262ND	MASSE	411253!	F12607	CASE	471649!	F3HZ6700A	FORD	39803	F5151	FAIRM	473225!
EX5734	MINNM	481864	F12Z6700A	FORD	223420	F3HZ6700B	FORD	39804	F5228	FAIRM	476838!
EX5809	MINNM	473215!	F12Z6701A	FORD	229005	F3HZ6701A	FORD	39805	F5249	RELEE	471138!
EX5810	MINNM	473464	F1625	EATON	3098=	F3LP7052AA	FORD	4764	F5254	RELEE	471570!
EX5810	MINNM	473464	F1636	EATON	8635S	F3LY7052A	FORD	4764	F53634	CASE	471766!
EX5868	JAC	471281!	F18133	CASE	450362	F3M5589	CATER	415035	F53639	CASE	470380!
EX6054	JAC	471570!	F19661	CASE	473232	F3M6839	CATER	455029H=	F5421	FAIRM	450104
EX6293	JAC	471103!	F1AE6701CA	FORD	3909	F3M8228	CATER	416476!	F5422	FAIRM	415458!
EX6405	MINNM	471765!	F1AZ6700A	FORD	473454	F3R3-1177A	FORD	3622	F5609	FAIRM	417073
EX6429	MINNM	417316!	F1AZ6701A	FORD	3909	F3RP-1177A	FORD	3622	F5610	FAIRM	417485
EX666	LAU	471539!	F1CZ6701A	FORD	228250	F3RP-7F401-AA	FORD	4635	F57Z-3254-AA	FORD	710428
EX7029	MINNM	472157	F1CZ6701A	FORD	710448	F3RP-7F401-AA	FORD	4635H	F57Z-3254-BA	FORD	710429
EX7029	MINNM	472157!	F1CZ6701B	FORD	228250	F3RP1177AA1	FORD	3622	F57Z4L616AA	FORD	714675
EX7428	MINNM	417349	F1HZ1175A	FORD	370023A	F3RP7H260AA	FORD	3622	F5940	CASE	413247!
EX7478	MINNM	472016	F1HZ1175C	FORD	370019A	F3RZ-7F401A	FORD	4635	F5AZ-6700-A	FORD	473454
EX7587	MINNM	417621!	F1HZ1175D	FORD	370021A	F3RZ-7F401AVMR	FORD	4635	F5RZ-1177-AA	FORD	710443
EX8078	MINNM	415302	F1JY6700A	FORD	710355	F3RZ1177A	FORD	3622	F5RZ6700A	FORD	3771
EX8089	MINNM	473460	F1SE6701AA	FORD	3909	F3SE-6700-AA	FORD	350936	F5RZ6701A	FORD	3772
EX8360	MINNM	472299	F1SZ6701A	FORD	3909	F3TZ-1175-B	FORD	710453	F5TZ-1175-A	FORD	710430
EX8653	MINNM	473010!	F1TE-6701-A2A	FORD	2377	F3TZ-1175-BA	FORD	710453	F5TZ-6701-A	FORD	473573
EX8660	MINNM	450165	F1TE6701A1A	FORD	2377	F3TZ-1175-BB	FORD	710453	F5TZ1190A	FORD	710430
EX8660	MINNM	471801!	F1TZ6701A	FORD	2377	F3TZ-7B215-A	FORD	710403	F5TZ1190AA	FORD	710430
EX8664	MINNM	471192	F223	ALLCH	352541	F3UP7052AA	FORD	4765	F5TZ4676A	FORD	4525V
EX9074	MINNM	471570!	F22582	CASE	472164!	F3UZ7052A	FORD	4765	F600B-223	CONTI	416738!
EX9120	MINNM	471472!	F22670	CASE	417492	F3XA6700A	FORD	223340	F600B-223	CONTI	450096
EX9131	MINNM	473205	F23A20	CARTR	12473	F3XA6700AA	FORD	224052	F600B-246	CONTI	416738!
EX933	CLARK	471730	F23P7H260AA	FORD	3622	F3XA6701BA	FORD	228410	F600B-246	CONTI	450096
EX9961	MINNM	50209	F241543	AVCO	204020	F3XA7A248AA	FORD	224450	F60185	CASE	450456!
EXE5153	MASSE	450398	F241543	AVCO	2045051	F3XY-7A248A	FORD	224450	F6024	CASE	470088
EXE5153	MASSE	471267!	F256	BUC-E	415047	F3XY1177A	FORD	710118	F60829	CASE	473231
EXE5524	MASSE	470954!	F263A	PORTR	415023	F3XY1177B	FORD	710124	F60830	CASE	417433
EXE5525	MASSE	340413	F282	MINNM	473441	F3XY6700A	FORD	224052	F64120	FUNK	415960!
EXV10292	CASE	455194	F2940	FAIRM	5727	F3XY6701A	FORD	228410	F6442	CASE	450523
EXV11176	CASE	472810!	F2BZ6700A	FORD	223012	F3XY6701B	FORD	228410	F65001	FUNK	340724!
EXV13426	CASE	415035	F2DE6701AB	FORD	3772	F3XY6K292A	FORD	223420	F65002	FUNK	470712!
EXV13426	CASE	415035!	F2DZ-7F401A	FORD	4189H	F40054	DOMGA	473237	F65003	FUNK	471192
EXV18251	CASE	471766!	F2DZ-7F401AVMR	FORD	4189H	F400S-205	CONTI	240385	F65004	FUNK	473228
EXV4417	CASE	473463	F2HT1175AA	FORD	370023A	F40120	DOMGA	413246	F65006	FUNK	472179
EXV5226	CASE	455134!	F2HZ1175A	FORD	370047A	F40838	CASE	473239	F65007	FUNK	410308!
EXV5784	CASE	471689!	F2HZ1175B	FORD	370023A	F47504	BRADF	55155=	F65008	FUNK	472016
EXV5899	CASE	470605!	F2HZ1175C	FORD	370003A	F4857	FAIRM	415995!	F65010	FUNK	411376!
EXV7985	CASE	472560N!	F2R2677	CATER	472185!	F4AZ-6700-A	FORD	473454	F65011	FUNK	413247!
EZ0153A0	NOK	224660	F2R8416	CATER	415389=	F4AZ6701A	FORD	3909	F65013	FUNK	415449!
EZ0302E	NOK	376590A	F2TA1175AA	FORD	418028	F4BA6700B	FORD	710355	F65015	FUNK	415995!
EZ2199C0	NOK	710302	F2TZ-1175-B	FORD	710413	F4BZ-1177B	FORD	2007N	F65022	FUNK	471554!
EZ2894A0	NOK	710293	F2TZ-1175-C	FORD	710414	F4BZ-1177B	FORD	710323	F65024	FUNK	472409!
EZ2959A0	NOK	223010	F2TZ1175A	FORD	418028	F4BZ-1177C	FORD	710323	F65025	FUNK	416706!
F-30808	FORSH	710413	F2TZ6701-A	FORD	3893V	F4BZ-1177D	FORD	4990	F65028	FUNK	416404!
F0283317	IH	471785!	F2VY-7A248-A	FORD	3404	F4BZ-1177E	FORD	2007N	F65030	FUNK	470380!
F09Z-7B215-A	FORD	710388	F30715	FORD	330385!	F4BZ1177A	FORD	1126	F65034	FUNK	411253!
F09Z-7B215-B	FORD	710389	F312R	JOHND	417181!	F4BZ12143A	FORD	427RR	F65035	FUNK	472572!
F09Z-7B215-C	FORD	710441	F320	BUC-E	415995!	F4BZ6700A	FORD	223012	F65037	FUNK	473459
F09Z3254A	FORD	472258	F3232	RELEE	471276	F4BZ6700B	FORD	710355	F65046	FUNK	412861
F09Z3254C	FORD	472258	F3245	RELEE	470682	F4BZ6701A	FORD	228250	F65051	FUNK	472164!
F0DZ6701-A	FORD	710219	F32Z-6700-D	FORD	2012V	F4BZ6701A	FORD	710448	F65053	FUNK	471870!
F0HS1190AA	FORD	370001A	F32Z1177A	FORD	1932	F4HS1175BA	FORD	370003A	F65054	FUNK	450375!
F0HZ1190AA	FORD	370001A	F32Z6700A	FORD	2012V	F4S26700A	FORD	350936	F65054	FUNK	6936S!
F0HZ7048A	FORD	472636	F32Z6700B	FORD	223420	F4TZ-1177-C	FORD	370047A	F65054	FUNK	9845
F0HZ7052A	FORD	415035	F32Z6700C	FORD	223420	F4TZ-1177B	FORD	370047A	F65060	FUNK	471272!
F0HZ7052B	FORD	415035	F32Z6701A	FORD	1019	F4TZ-6700-A	FORD	3894V	F65062	FUNK	471271!
F0JY-1S177A	FORD	2007N	F32Z6701B	FORD	229004	F4TZ-6700-A	FORD	5066	F65063	FUNK	471262!
F0JY1177A	FORD	2007N	F37383	CASE	487945	F4TZ-6701-B	FORD	2377	F65064	FUNK	471271!
F0MV14164	FMC	416624!	F37Z6701A	FORD	3772	F4TZ-7B215A	FORD	4333N	F65066	FUNK	417433!
F0MV14165	FMC	415991	F39104	FORD	471553!	F4TZ6701A	FORD	5723	F65071	FUNK	473179!
F0MV14165	FMC	455146!	F3AE-6700-AA	FORD	473454	F4TZ6701C	FORD	5118	F65080	FUNK	412943
F0TW1177AA	FORD	370047A	F3AE6701AA	FORD	3909	F4TZ7B215B	FORD	4503N	F65087	FUNK	470950!
F0TZ1177A	FORD	370047A	F3BZ6700A	FORD	223012	F4XA-6701-AA	FORD	228410	F65087	FUNK	6241S
F0TZ4676A	FORD	473452	F3DP-7F401BA	FORD	4189H	F4XY6701-A	FORD	228410	F65095	FUNK	473010!
F0ZC1190AA	FORD	9150S	F3HT1175AA	FORD	370023A	F4ZZ-7052-A	FORD	710426	F65101	FUNK	412119!

! Industrial Size/Type = Call 1-800-480-1212 for price and delivery.

Zero Duplication or Recommended		Zero Duplication or Recommended		Zero Duplication or Recommended		Zero Duplication or Recommended		
Mfr. No.	Name	Industrial	Mfr. No.	Name	Industrial	Mfr. No.	Name	
F65102	FUNK	416294!	F75Z-1177BA	FORD	100357	FHO44594	CASE	472193!
F65104	FUNK	416294!	F75Z-1S177BA	FORD	100357	FJO5301	MASSE	417082
F65105	FUNK	415991	F7617	FAIRM	473232	FM3	FMC	416892!
F65105	FUNK	455146!	F77Z-7052AA	FORD	2655	FM302	GILSN	200354
F65106	FUNK	417211!	F77Z6701BA	FORD	473573	FM508	IG-RA	471192
F65116	FUNK	473227!	F7819	FAIRM	415988	FO-124	ATP	2658
F65117	FUNK	471271!	F7AP7052AA	FORD	4764	FO-191	ATP	3404
F65118	FUNK	471984	F7AZ-7052A	FORD	4764	FO103	ATP	412473!
F65119	FUNK	471466!	F7CZ-7052AA	FORD	1990	FO122	ATP	2655
F65120	FUNK	415960!	F7TZ1175AA	FORD	415960	FO123	ATP	2658
F65121	FUNK	415449!	F7UZ-1175A	FORD	9864S	FO182	ATP	473473
F65123	FUNK	415937!	F7UZ-1177A	FORD	710067	FO185	ATP	470687
F65136	FUNK	415294!	F7ZZ-6701BA	FORD	473573	FO2	ATP	473459
F65137	FUNK	415483	F8085	CASE	340823	FO29	ATP	410308!
F65151	FUNK	450313	F81A-1175AA	FORD	710454	FO5	ATP	473234!
F65154	FUNK	415995!	F81A1175EA	FORD	415958	FOMV14164	FMC	416624!
F65157	FUNK	472492!	F81A1175EA	FORD	417505	FOMV14165	FMC	415991
F65158	FUNK	450313	F81A1175HA	FORD	710413	FOMV14165	FMC	455146!
F65159	FUNK	415371	F81P-7052AA	FORD	100086	FS2753	EL-WH	205004
F65181	FUNK	470898	F81P-7052AB	FORD	100086	FS42159U	NORDG	471649!
F65184	FUNK	415449!	F81Z-1175AA	FORD	710454	FS50601U	NORDG	471192
F65193	FUNK	473212!	F81Z-1175GA	FORD	9864S	FS50711	NORDG	470712!
F65194	FUNK	472164!	F81Z-1S175AA	FORD	710454	FS50711U	NORDG	470712!
F65195	FUNK	415225!	F81Z-7052AA	FORD	100086	FS60278U	NORDG	472354!
F65196	FUNK	415294!	F81Z1175HA	FORD	710413	FS60279U	NORDG	473231!
F65198	FUNK	471442!	F82958	CASE	5576	FS9687	EL-WH	6590S
F65199	FUNK	416664!	F87A-1N049AA	FORD	710519	FSK18537	IH	412119!
F65200	CHALL	471272!	F87Z-1190AA	FORD	710519	FSK21639	IH	473474
F65200	FUNK	471272!	F8987	FAIRM	473445	FT2105	MINNM	415035
F65204	FUNK	417262 =	F89W4676AA	FORD	3604	FT2105	MINNM	415035!
F65205	FUNK	472394	F89Z4676AA	FORD	3604	FT2213	MINNM	472636!
F65207	FUNK	415379!	F8UZ-4676AA	FORD	719316	FT2230	MINNM	472409!
F65207	FUNK	415379	F9052	FAIRM	474281!	FT2402	MINNM	472287!
F65208	FUNK	455019!	F9743	CASE	471192	FT2412	MINNM	471649!
F65209	FUNK	472164!	F9744	CASE	417344!	FT3332	MINNM	472409!
F65214	FUNK	473244!	F9802	CASE	415035	FT3339	MINNM	415302
F65215	FUNK	415937!	FA11	LK-BT	55028	FT606	MINNM	473463
F65216	FUNK	415389	FA6534	PORTR	411245!	FT650	MINNM	55028
F65217	FUNK	473444	FAA12476A	FORD	240470	FT650	WHITE	55028
F65218	FUNK	415234!	FAA12476B	FORD	240470	FW189602	SPERY	472015 =
F65227	FUNK	471466!	FAB12143A	FORD	421	FW593112	SPERY	471271!
F65228	FUNK	471504	FB12571	CASE	455019!	FX-09	COC	472144!
F65229	FUNK	471272!	FB13736	CASE	472439	FXS30	COC	455079!
F65235	FUNK	470625!	FD1084	FABCO	472193!	FXS39	COC	473448!
F65240	FUNK	455019!	FD1405	FABCO	470334!	G-0253359	IH	415458!
F65246	FUNK	476470	FD1779	GUY	472179	G00505126	FWD	415984!
F65708	CASE	415379!	FD182	NAPD	471344	G00505135	FWD	470334!
F65708	CASE	415379	FD192	NAPD	6936S	G0S672	PAARS	472012
F65P-7052AA	FORD	4765	FD236	FABCO	473461!	G10005	CASE	412473!
F65W-3N134-AA	FORD	3604	FD256	FABCO	415027	G10346	CASE	416706!
F65Z-3N134-AA	FORD	3604	FD31	FABCO	450111	G10421	CASE	473425
F6647	FAIRM	472439	FD323	FABCO	471272!	G10422	CASE	471821!
F673	FAIRM	470334!	FD370	FABCO	5965	G105118	CASE	470954!
F6731	FAIRM	470334!	FD372	FABCO	5965	G10561	CASE	415991
F67Z-1177AA	FORD	8660S	FD3792	CASE	204017	G10561	CASE	455146!
F67Z-1177AC	FORD	8660S	FD391	FABCO	473239	G10651	CASE	415991
F6DZ-6700-AA	FORD	710444	FD87	FABCO	472185!	G10651	CASE	455146!
F6HS1190AA	FORD	370001A	FD88	FABCO	473442!	G10689	CASE	471341!
F6TP-7052-AA	FORD	4981V	FF1118	FULLE	472394	G13053	CASE	204079 =
F6TZ-7052A	FORD	7300S	FG0616	MO-CH	471684!	G13112	CASE	472810!
F6UZ-7052AMR	FORD	4765	FG0617	MO-CH	473203	G13800	CASE	6590S
F6UZ7052A	FORD	4765	FG0624	MO-CH	415082	G13801	CASE	471138!
F6XA-6700AA	FORD	224052	FGO611	MO-CH	471730	G13802	CASE	471192
F6XZ6700AA	FORD	224052	FGO616	MO-CH	471684!	G13803	CASE	473215!
F6XZ6701BA	FORD	228410	FGO635	MO-CH	416267!	G13804	CASE	204084 =
F6ZZ-7052-A	FORD	710431	FH3022207	EL-MO	J1111	G13805	CASE	471267!
F7023	CASE	240414	FH3022208	EL-MO	J1121	G13807	CASE	471267!
F7150	CASE	5976S	FH3022209	EL-MO	J1109	G13810	CASE	415962
F7213	CASE	450984	FH3022302	EL-MO	471267!	G13811	CASE	415035
F724	MINNM	470712!	FH3022307	EL-MO	471272!	G13811	CASE	415035!
F7312	CASE	450984	FH3022313	EL-MO	416404!	G13813	CASE	471271!
F75W-1177BA	FORD	100357	FH757153	CASE	471766!	G13814	CASE	473197
G13815	CASE	340771				G13815	CASE	340771
G13816	CASE	450129				G13816	CASE	450129
G13816	CASE	472826!				G13816	CASE	472826!
G13817	CASE	450285				G13817	CASE	450285
G13818	CASE	471224!				G13818	CASE	471224!
G13819	CASE	353120				G13819	CASE	353120
G13821	CASE	471827!				G13821	CASE	471827!
G13822	CASE	415962				G13822	CASE	415962
G13824	CASE	415035				G13824	CASE	415035
G13825	CASE	412473!				G13825	CASE	412473!
G13827	CASE	470954!				G13827	CASE	470954!
G157B-208	CONTI	412473 =				G157B-208	CONTI	412473 =
G157B203	CONTI	412473 =				G157B203	CONTI	412473 =
G157S202	CONTI	471442!				G157S202	CONTI	471442!
G1710	HU-WR	416921!				G1710	HU-WR	416921!
G20147	DOMGA	332062				G20147	DOMGA	332062
G20189	DOMGA	3945				G20189	DOMGA	3945
G273	PORTR	416892!				G273	PORTR	416892!
G274	PORTR	415025				G274	PORTR	415025
G297	TW-CO	471733				G297	TW-CO	471733
G3001	SPG	730033				G3001	SPG	730033
G3002	SPG	730021				G3002	SPG	730021
G3003	SPG	730020				G3003	SPG	730020
G3005	SPG	730007				G3005	SPG	730007
G3006	SPG	730018				G3006	SPG	730018
G3008	SPG	730005				G3008	SPG	730005
G3009	SPG	730013				G3009	SPG	730013
G3011	SPG	730022				G3011	SPG	730022
G3012	SPG	730026				G3012	SPG	730026
G3013	SPG	730002				G3013	SPG	730002
G3014	SPG	730028				G3014	SPG	730028
G3016	SPG	730035				G3016	SPG	730035
G3019	SPG	730009				G3019	SPG	730009
G3022	SPG	730023				G3022	SPG	730023
G3023	SPG	730010				G3023	SPG	730010
G3024	SPG	730004				G3024	SPG	730004
G3025	SPG	730003				G3025	SPG	730003
G3028	SPG	730001				G3028	SPG	730001
G3031	SPG	730019				G3031	SPG	730019
G3034	SPG	730027				G3034	SPG	730027
G3035	SPG	730011				G3035	SPG	730011
G3037	SPG	730031				G3037	SPG	730031
G3039	SPG	730034				G3039	SPG	730034
G3040	SPG	730008				G3040	SPG	730008
G3041	SPG	730016				G3041	SPG	730016
G3042	SPG	730014				G3042	SPG	730014
G3044	SPG	730017				G3044	SPG	730017
G3045	SPG	730012				G3045	SPG	730012
G3046	SPG	730006				G3046	SPG	730006
G3053	SPG	730032				G3053	SPG	730032
G3056	SPG	730030				G3056	SPG	730030
G3060	SPG	730024				G3060	SPG	730024
G3066	SPG	730025				G3066	SPG	730025
G3067	SPG	733067				G3067	SPG	733067
G3078	SPG	730029				G3078	SPG	730029
G3237	CAR SPG	8660S				G3237	CAR SPG	8660S
G3873	CA SPG	3873				G3873	CA SPG	3873
G3873	CAR SPG	8695S				G3873	CAR SPG	8695S
G3983	CA SPG	3983				G3983	CA SPG	3983
G4019	RX SPG	4019N				G4		

Zero Duplication or Recommended		Zero Duplication or Recommended		Zero Duplication or Recommended		Zero Duplication or Recommended		
Mfr. No.	Name	Mfr. No.	Name	Mfr. No.	Name	Mfr. No.	Name	
GB350	EMSCO	415124	GS1023	GUARA	1183	GS1174	GUARA	370023A
GB45587	FORD	471224!	GS1024	GUARA	1977	GS1178	GUARA	1992
GB8	GOODM	311189	GS1025	GUARA	1188	GS1181	GUARA	5756
GC1115	MACK	417433 =	GS1026	GUARA	1174	GS1182	GUARA	415960
GC500	EMSCO	416865!	GS1026	GUARA	1188	GS1183	GUARA	3210
GD193-B306	CONTI	335821H=	GS1026	GUARA	38X52X8.5!	GS1184	GUARA	1165
GD193-B306B	CONTI	335821H=	GS1029	GUARA	6840S	GS1187	GUARA	370046A
GD193-B306C	CONTI	335821H=	GS1033	GUARA	3357	GS1190	GUARA	471224!
GE1142	ALLCH	471766!	GS1034	GUARA	7994S	GS1194	GUARA	472560N
GE1143	ALLCH	471735	GS1038	GUARA	7607	GS1198	GUARA	204017
GEL3344	WHITE	417267	GS1042	GUARA	291295	GS1201	GUARA	473235
GG-335-32152	JOHND	472394	GS1044	GUARA	5699	GS1202	GUARA	40494S
GG33521109	JOHND	473225!	GS1046	GUARA	9150S	GS1202	GUARA	472164
GG33530797	JOHND	473215!	GS1047	GUARA	2043	GS1203	GUARA	472164!
GG33531190	JOHND	471138!	GS1051	GUARA	4148	GS1204	GUARA	472179
GG33532185	JOHND	472015!	GS1052	GUARA	5113	GS1205	GUARA	6781
GGAHH103	SPICE	712000	GS1052	GUARA	7721!	GS1206	GUARA	203006!
GGAHH106	DANA	714512	GS1053	GUARA	9762S	GS1207	GUARA	44053
GGAHH109	DANA	415088	GS1054	GUARA	8139	GS1211	GUARA	473450!
GJ1902F0	NOK	32X52X7!	GS1056	GUARA	6954S	GS1213	GUARA	1949
GK2250	MASSE	471554!	GS1061	GUARA	8974S	GS1214	GUARA	472475
GK3113	MASSE	472234	GS1063	GUARA	493291	GS1214	GUARA	6064
GL1113	MASSE	410308!	GS1066	GUARA	493637	GS1215	GUARA	203034
GL1172	MASSE	472924!	GS1068	GUARA	5109	GS1218	GUARA	470712!
GM28	LK-BT	472029	GS1070	GUARA	442380	GS1220	GUARA	1012
GMR46	ALLCH	415041	GS1070	GUARA	471271!	GS1220	GUARA	1012N
GMR64	ALLCH	411253!	GS1071	GUARA	4250	GS1220	GUARA	1960
GO1012	CLEVI	.BS+CS+HS7603S	GS1073	GUARA	416273!	GS1220	GUARA	45X62X8!
GO1013	CLEVI	.BS+CS+HS7603S-1	GS1074	GUARA	5123	GS1221	GUARA	471785!
GO1A	ATP	451117N=	GS1076	GUARA	413248	GS1222	GUARA	451182
GOO65930	FWD	417344!	GS1078	GUARA	415960	GS1226	GUARA	8139
GOS633	PAARS	476470	GS1080	GUARA	411348!	GS1229	GUARA	5756
GP1177	FORD	40566S	GS1084	GUARA	1192	GS1230	GUARA	40566S
GP3031	FORD	471413	GS1088	GUARA	1949	GS1231	GUARA	8430S
GP3034	FORD	40576S	GS1089	GUARA	1992	GS1233	GUARA	473473
GP7770A	FORD	473229	GS1091	GUARA	1209	GS1234	GUARA	40316S
GP7798	FORD	471466!	GS1095	GUARA	1012	GS1236	GUARA	442874
GPA1177	FORD	471835!	GS1095	GUARA	1012N	GS1237	GUARA	2669
GPA7262	FORD	411394!	GS1101	GUARA	1174	GS1238	GUARA	353135
GPW3591	FORD	353132	GS1101	GUARA	38X52X8.5!	GS1238	GUARA	474278
GPW6701	FORD	5585\$	GS1107	GUARA	1973	GS1238	GUARA	6859S
GPW6702	FORD	5585\$	GS1107	GUARA	48X65X10!	GS1239	GUARA	3199
GR2001	MASSE	472636!	GS1108	GUARA	1128	GS1240	GUARA	410496!
GS1000	GUARA	473317	GS1109	GUARA	227040	GS1241	GUARA	416273!
GS1001	GUARA	41257!	GS1109	GUARA	70X90X10!	GS1242	GUARA	471787
GS1002	GUARA	7934S	GS1112	GUARA	224820	GS1246	GUARA	1012
GS1003	GUARA	8705S	GS1112	GUARA	48X62X8!	GS1246	GUARA	1012N
GS1004	GUARA	4148	GS1113	GUARA	1110	GS1249	GUARA	8293S
GS1004	GUARA	471424!	GS1114	GUARA	1213N	GS1250	GUARA	416865!
GS1004	GUARA	9406S	GS1115	GUARA	482126	GS1251	GUARA	3348
GS1005	GUARA	331301N	GS1118	GUARA	1174	GS1253	GUARA	484054!
GS1005	GUARA	9015S	GS1118	GUARA	38X52X8.5!	GS1253	GUARA	6370N
GS1006	GUARA	8121S	GS1120	GUARA	1952	GS1255	GUARA	484058
GS1007	GUARA	6815	GS1121	GUARA	1012	GS1256	GUARA	9161
GS1008	GUARA	8871	GS1121	GUARA	1012N	GS1257	GUARA	473812
GS1009	GUARA	5121	GS1123	GUARA	1174	GS1258	GUARA	8594S
GS1010	GUARA	3087	GS1123	GUARA	38X52X8.5!	GS1259	GUARA	8133S
GS1011	GUARA	6840S	GS1125	GUARA	473230!	GS1260	GUARA	8549S
GS1012	GUARA	224045	GS1132	GUARA	1196	GS1261	GUARA	51322
GS1012	GUARA	40X62X12!	GS1133	GUARA	471737	GS1262	GUARA	9569S
GS1014	GUARA	1165	GS1134	GUARA	483793	GS1263	GUARA	42763
GS1015	GUARA	1209	GS1138	GUARA	1209	GS1264	GUARA	9568
GS1016	GUARA	1165	GS1145	GUARA	2002	GS1265	GUARA	7687S
GS1016	GUARA	1217	GS1146	GUARA	1985	GS1267	GUARA	7245
GS1017	GUARA	1195	GS1147	GUARA	1986	GS1268	GUARA	471835!
GS1018	GUARA	224015	GS1159	GUARA	224045	GS1269	GUARA	450776!
GS1019	GUARA	225020	GS1159	GUARA	40X62X12!	GS1270	GUARA	470898
GS1019	GUARA	50X68X8!	GS1161	GUARA	442874	GS1272	GUARA	1974
GS1020	GUARA	55X82X12!	GS1168	GUARA	203006!	GS1273	GUARA	9344S
GS1021	GUARA	1950	GS1170	GUARA	7780	GS1274	GUARA	8676S
GS1021	GUARA	224820	GS1171	GUARA	8243	GS1274	GUARA	9912
GS1021	GUARA	48X62X8!	GS1173	GUARA	480630!	GS1275	GUARA	3214
GS1276	GUARA	8660S	GS1276	GUARA	8660S	GS1276	GUARA	8660S
GS1277	GUARA	415447	GS1277	GUARA	415447	GS1277	GUARA	415447
GS1279	GUARA	9116S	GS1279	GUARA	9116S	GS1279	GUARA	9116S
GS1281	GUARA	3395!	GS1281	GUARA	3395!	GS1281	GUARA	3395!
GS1282	GUARA	6966S	GS1282	GUARA	6966S	GS1282	GUARA	6966S
GS1283	GUARA	471862	GS1283	GUARA	471862	GS1283	GUARA	471862
GS1286	GUARA	8597S	GS1286	GUARA	8597S	GS1286	GUARA	8597S
GS1287	GUARA	9363S	GS1287	GUARA	9363S	GS1287	GUARA	9363S
GS1288	GUARA	470059	GS1288	GUARA	470059	GS1288	GUARA	470059
GS1288	GUARA	470380!	GS1288	GUARA	470380!	GS1288	GUARA	470380!
GS1289	GUARA	7886S	GS1289	GUARA	7886S	GS1289	GUARA	7886S
GS1290	GUARA	473228	GS1290	GUARA	473228	GS1290	GUARA	473228
GS1291	GUARA	470487!	GS1291	GUARA	470487!	GS1291	GUARA	470487!
GS1292	GUARA	470059	GS1292	GUARA	470059	GS1292	GUARA	470059
GS1292	GUARA	470380!	GS1292	GUARA	470380!	GS1292	GUARA	470380!
GS1293	GUARA	8940S	GS1293	GUARA	8940S	GS1293	GUARA	8940S
GS1294	GUARA	415995!	GS1294	GUARA	415995!	GS1294	GUARA	415995!
GS1295	GUARA	8695S	GS1295	GUARA	8695S	GS1295	GUARA	8695S
GS1296	GUARA	471821!	GS1296	GUARA	471821!	GS1296	GUARA	471821!
GS1297	GUARA	450143	GS1297	GUARA	450143	GS1297	GUARA	450143
GS1298	GUARA	224015	GS1298	GUARA	224015	GS1298	GUARA	224015
GS1301	GUARA	8835S	GS1301	GUARA	8835S	GS1301	GUARA	8835S
GS1302	GUARA	40286	GS1302	GUARA	40286	GS1302	GUARA	40286
GS1306	GUARA	224270	GS1306	GUARA	224270	GS1306	GUARA	224270
GS1306	GUARA	42X72X10!	GS1306	GUARA	42X72X10!	GS1306	GUARA	42X72X10!
GS1307	GUARA	473234!	GS1307	GUARA	473234!	GS1307	GUARA	473234!
GS1310	GUARA	9178S	GS1310	GUARA	9178S	GS1310	GUARA	9178S
GS1312	GUARA	9911S	GS1312	GUARA	9911S	GS1312	GUARA	9911S
GS1315	GUARA	1012	GS1315	GUARA	1012	GS1315	GUARA	1012
GS1315	GUARA	1012N	GS1315	GUARA	1012N	GS1315	GUARA	1012N
GS1318	GUARA	472747	GS1318	GUARA	472747	GS1318	GUARA	472747
GS1319	GUARA	5458	GS1319	GUARA	5458	GS1319	GUARA	5458
GS1320	GUARA	340823	GS1320	GUARA	340823	GS1320	GUARA	340823
GS1321	GUARA	473179	GS1321	GUARA	473179	GS1321	GUARA	473179
GS1322	GUARA	3604	GS1322	GUARA	3604	GS1322	GUARA	3604
GS1322	GUARA	414045!	GS1322	GUARA	414045!	GS1322	GUARA	414045!
GS1323	GUARA	2689S	GS1323	GUARA	2689S	GS1323	GUARA	2689S
GS1324	GUARA	9912	GS1324	GUARA	9912	GS1324	GUARA	9912
GS1325	GUARA	3195	GS1325	GUARA	3195	GS1325	GUARA	3195
GS1327	GUARA	9049	GS1327	GUARA	9049	GS1327	GUARA	9049
GS1327	GUARA	9049N	GS1327	GUARA	9049N	GS1327	GUARA	9049N
GS1328	GUARA	8704S	GS1328	GUARA	8704S	GS1328	GUARA	8704S
GS1330	GUARA	472144!	GS1330	GUARA	472144!	GS1330	GUARA	472144!
GS1332	GUARA	5113	GS1332	GUARA	5113	GS1332	GUARA	5113
GS1333	GUARA	472492!	GS1333	GUARA	472492!	GS1333	GUARA	472492!
GS1334	GUARA	6465	GS1334	GUARA	6465	GS1334	GUARA	6465
GS1338	GUARA	6077	GS1338	GUARA	6077	GS1338	GUARA	6077
GS1341	GUARA	6090S	GS1341	GUARA	6090S	GS1341	GUARA	6090S
GS1346	GUARA	412119!	GS1346	GUARA	412119!	GS1346	GUARA	412119!
GS1347	GUARA	412119!	GS1347	GUARA	412119!	GS1347	GUARA	412119!
GS1348	GUARA	410987!	GS1348	GUARA	410987!	GS1348	GUARA	410987!

Zero Duplication or Recommended		Zero Duplication or Recommended		Zero Duplication or Recommended		Zero Duplication or Recommended		
Mfr. No.	Name	Mfr. No.	Name	Mfr. No.	Name	Mfr. No.	Name	
GS1370	GUARA	415437	GTV005 RFT	713151	H1898 SPG	RD295	H70792 GAL	470898
GS1370	GUARA	415437!	GTV015 RFT	713007	H193 GN-TI	6283S	H749085 CASE	200339!
GS1371	GUARA	370033A	GTV017 RFT	713113	H2090 SPG	RD296	H75-HER12010 HERCU	412119
GS1372	GUARA	415958	GTV018 RFT	713034	H2110 SPG	RD411	H75296 JOHND	471808!
GS1372	GUARA	415958!	GTV019 RFT	713155	H2111 SPG	RD282	H85305 GAL	471271!
GS1373	GUARA	456618	GTV906 RFT	713040	H22981 JA-HE	471532	H861 PORTR	415991
GS1374	GUARA	417505	GTV907 RFT	713003	H2319A GMC	473010!	H861 PORTR	455146!
GS1376	GUARA	473238!	GTV908 RFT	713043	H25051 JOHND	472354!	H94951 JOHND	JV1897=
GS1379	GUARA	223535	GTV913 RFT	713046	H2586B JOHND	481163!	HA1198 HOUGH	471689!
GS1381	GUARA	1174	GTV917 RFT	713057	H26033065 VILA	1207	HA1199 HOUGH	473215!
GS1381	GUARA	38X52X8.5!	GTV919 RFT	713064	H26033065 VILA	1207N	HA1213 HOUGH	471795
GS1382	GUARA	2000	GTV923 RFT	713132	H275 OLIVE	50199S!	HA1217 HOUGH	471689!
GS1382	GUARA	224235	GTV925 RFT	713134	H275 OLIVE	6863S!	HA1405 HOUGH	474278
GS1382	GUARA	42X58X7!	GTV928 RFT	713076	H281 FABCO	415302	HA396 HOUGH	411394!
GS1383	GUARA	1188	GTV936 RFT	713024	H282 FABCO	473444	HA775 HOUGH	415027
GS1384	GUARA	1977	GTV939 RFT	713031	H311 TLSMI	471192	HA775 HOUGH	415027!
GS1386	GUARA	1181	GTV940 RFT	713063	H3110 TLSMI	415458!	HA889 HOUGH	415995!
GS1386	GUARA	41X56X7!	GTV941 RFT	713054	H31101 LEROI	450446	HB14262 EMSCO	50514
GS1387	GUARA	1180	GTV943 RFT	713095	H31103 TLSMI	455584	HB19009 EMSCO	415072
GS1387	GUARA	41X55X7!	GTV945 RFT	713036	H31104 TLSMI	455576!	HB19069 EMSCO	415124
GS1388	GUARA	1174	GTV946 RFT	713015	H31107 TLSMI	474278	HC1266 LETN	415045!
GS1388	GUARA	38X52X8.5!	GTV947 RFT	713079	H31124 TLSMI	416888!	HC1411 LETN	417344!
GS1391	GUARA	1174	GTV949 RFT	713100	H31129 TLSMI	415317	HC2071 LETN	473245!
GS1391	GUARA	38X52X8.5!	GTV951 RFT	713018	H31131 TLSMI	415035	HC32842 LETN	418028
GS1393	GUARA	1974	GTV952 RFT	713138	H31138 TLSMI	9568	HC32842 LETN	455137!
GS1394	GUARA	1994	GTV953 RFT	713128	H312 TLSMI	471821!	HC3908 LETN	415043
GS1394	GUARA	48X70X9!	GTV956 RFT	713123	H3120 TLSMI	416167!	HC4003 SPG	HU003A
GS1395	GUARA	1214	GTV960 RFT	713012	H3121 TLSMI	415351!	HC4005 SPG	HU005A
GS1395	GUARA	1214N	GTV961 RFT	713017	H313 TLSMI	472029	HC4007 SPG	HU007A
GS1397	GUARA	1208	GTV962 RFT	713023	H313249 AMC	415995!	HC4008 SPG	HU008A
GS1397	GUARA	48X72X7!	GTV966 RFT	713111	H31354 VIC	72665	HC4014 SPG	HU014A
GS1398	GUARA	1969	GTV967 RFT	713097	H3139 TLSMI	417211!	HC4044 SPG	HU044A
GS1398	GUARA	48X63X9!	GTV968 RFT	713062	H3143 TLSMI	415995!	HC4065 NATL	HU065A
GS1399	GUARA	8429S	GTV969 RFT	713053	H3148 TLSMI	415035	HC4075 SPG	H075
GS1400	GUARA	7686S	GTV970 RFT	713050	H3148 TLSMI	415035!	HC527 LETN	415035
GS1403	GUARA	473234!	GTV972 RFT	713045	H315 TLSMI	415991	HC544 LETN	412473!
GS1403	GUARA	473241	GTV980 RFT	713026	H315 TLSMI	455146!	HC7497 LETN	417563
GS1407	GUARA	450666	GTV987 RFT	713001	H3150 TLSMI	410496!	HCF12312 AU-WS	470954!
GS1408	GUARA	5573	GTV998 RFT	713069	H3154 TLSMI	417254	HCF12314 B-L-H	471224!
GS1409	GUARA	6241S	GTV999 RFT	713049	H3155 TLSMI	417554!	HCF12315 B-L-H	415234!
GS1414	GUARA	417485	GW24014406 TROS	473235	H3157 TLSMI	417546!	HCF12316 B-L-H	412040
GS1415	GUARA	5965	GX1538 MASSE	450165	H3158 TLSMI	415991	HCF12316 CLARK	412040
GS1416	GUARA	415857!	GX1538 MASSE	471801!	H3158 TLSMI	455146!	HCF12317 B-L-H	415449!
GS1417	GUARA	40185	GY2006W JOHND	470625!	H318 TLSMI	472560N!	HCF12317 CLARK	415449!
GS1418	GUARA	451948	H-9-K226 CONTI	471553!	H3193 TLSMI	415995!	HCF12318 B-L-H	472572!
GS1419	GUARA	473214	H1005 DURA	471442!	H3199 TLSMI	6513	HCF12318 CLARK	472572!
GS1420	GUARA	1188	H1028813 CUMMI	470712!	H324394 AMC	471649!	HCF12319 B-L-H	415294!
GS1422	GUARA	6960	H1028821 CUMMI	471570!	H324395 AMC	471652	HCF12319 CLARK	415294!
GS1423	GUARA	205015	H103666 CUMMI	473016!	H336842 CASE	471413!	HCF13182 AU-WS	415072
GS1427	GUARA	473258!	H1110 OLIVE	472636!	H428839 CASE	416556!	HCF244 AU-WS	472636!
GS1429	GUARA	5131	H11773 ALLCH	471567!	H428839 CASE	472157	HCF279 AU-WS	55030
GS1434	GUARA	6960	H1240 MARMO	473231	H441 PORTR	417601	HCF280 AU-WS	412473!
GS1435	GUARA	471192	H12477 GMC	473227	H441 TEXAS	417601	HCF281 AU-WS	415449!
GS1482	GUARA	5699	H12478 GMC	240319	H442 PORTR	55301S	HCF3129 AU-WS	471224!
GSE461	ALLCH	415001!	H1251442 LEROI	455151	H442 TEXAS	55301S	HCF3129A AU-WS	471224!
GTB5398	FORD	471141!	H1251443 LEROI	450054	H4622S CASE	472144!	HCF5091A AU-WS	417538
GTB7269	FORD	450593!	H1251444 LEROI	471821!	H5035 KRSE	340900	HCF5097 AU-WS	471270!
GTB7274	FORD	473215!	H1251446 LEROI	473435	H50490 KRSE	417343!	HCF5098A AU-WS	473227
GTN079	RFT	713058	H1251447 LEROI	50199S!	H504951 VIC	J1110=	HCT186 FMC	417316!
GTN082	RFT	713127	H1251447 LEROI	6863S!	H505055 VIC	J1112	HD1022 LETN	471141!
GTN109	RFT	713025	H125206 LEROI	472924!	H51240 MARMO	410308!	HD1107 LETN	455134
GTN110	RFT	713059	H125208 LEROI	455151	H54879 ITM	2007N	HD2620 LETN	417344!
GTN122	RFT	713070	H125209 LEROI	481073	H553 PORTR	416891!	HD4135 LETN	450911N!
GTN155	RFT	713073	H125210 LEROI	471821!	H55935 ITM	227410	HD41352 LETN	450911N!
GTP501	RFT	713030	H125212 LEROI	450039	H59039 ITM	473367	HD4136 LETN	455134
GTP506	RFT	713002	H137 IRON	474281!	H604637 SPICE	415995!	HD4272 LETN	415645!
GTP523	RFT	713029	H1443 OLIVE	470530!	H620A HOUGH	415449!	HD4272 LETN	455104
GTP527	RFT	713035	H1443 WHITE	470530!	H620A OLIVE	450593!	HD4488 LETN	455134
GTP528	RFT	713044	H153F GN-TI	471750!	H687 PORTR	417273	HD44881 LETN	455134!
GTP537	RFT	713135	H154 MINNM	473243	H693 OLIVE	471141!	HD44882 LETN	455134!
GTV0035	RFT	713074	H1582 OLIVE	472185!	H706 PORTR	455330!	HD4496 LETN	417172
GTV004	RFT	713153	H165 AM BR	450040	H706 TEXAS	455330!	HD4565 LETN	415138!

! Industrial Size/Type = Call 1-800-480-1212 for price and delivery.

ALPHABETICAL

Zero Duplication or Recommended		Zero Duplication or Recommended		Zero Duplication or Recommended		Zero Duplication or Recommended	
Mfr. No.	Name	Mfr. No.	Name	Mfr. No.	Name	Mfr. No.	Name
HD4674	LETN	J15506HN	JOHND	JEJ40B304430	CINMI	JV1142	VIC
416107!		471224		473228		TCS45912	
HD4674	LETN	J15881	JOHND	JG1291	MARMO	JV1174	VIC
455073		473228		471192		TCS45958	
HD5454	LETN	J177061	CINMI	JG2361	SPG	JV1192	VIC
415035		471192		JG2361		TCS45868	
HD5586	LETN	J2445	SPG	JH20912	JA-HE	JV1195	VIC
417563		5370		471760		TCS45859	
HD6845	LETN	J2529	SPG	JH20917	JA-HE	JV13410	VIC
417563		J2529		473213!		5414	
HD68451	LETN	J2608	SPG	JH20920	JA-HE	JV1601	VIC
417563		J2608		471646!		BS40638	
HD684512	WABCO	J3170700	AMC	JH20921	JA-HE	JV1603	VIC
417563		7687S		350942		2909	
HD684513	WABCO	J3208474	AMC	JH20923	JA-HE	JV1612	VIC
417563		473452		470590		BS40620	
HD68452	LETN	J3238137	AMC	JH20924	JA-HE	JV1615	VIC
417563		3942		471554!		BS40667	
HD68453	LETN	J32400086	CHRY	JH20927	JA-HE	JV1617	VIC
417563		9912		471649!		BS40604	
HD68455	LETN	J3240086	CHRY	JH20928	JA-HE	JV1618	VIC
417563		9912		471646!		BS40619	
HD68456	LETN	J3241669	AMC	JH20938	JA-HE	JV1619	VIC
417563		3698		471532		BS40615	
HD68457	LETN	J4103	GMC	JH20939	JA-HE	JV1629	VIC
417563		472560N!		481537		BS40182	
HD684813	WABCO	J4486140	AMC	JH20940	JA-HE	JV1633	VIC
417563		313842		350156		BS40625	
HE11072	LETN	J501389	CHRY	JH20940	JA-HE	JV2019	SPG
455134		4370N		473096		5604	
HE11074	LETN	J51163	FULLE	JJ2560	SPG	JV500	VIC
455134		471787!		J2560		2001	
HG483	WITTE	J51163	MARMO	JL2361	SPG	JV500	VIC
472012		471787!		JL2361		60X82X12!	
HG723	LETN	J51163	SPICE	JM172	LK-BT	JV500	VIC
455734=		471787!		476470		BS27493	
HG7233	LETN	J51291	FULLE	JMU149A	BR-WN	JV503	VIC
455734=		471192		471554!		227020	
HH00031043	TLSMI	J51291	MARMO	JN2521	DETRO	JV503	VIC
415995!		471192		JN2521		70X88X8!	
HK7010	LETN	J51296	FULLE	JN2521	SPG	JV506	VIC
417548		415458!		JN2521		227235	
HL1305	LETN	J51296	MARMO	JO13	ATP	JV507	VIC
417570		415458!		7018N=		228005	
HL153	GN-TI	J51297	FULLE	JO57	ATP	JV508	VIC
441319		472572!		9449		3698	
HL16	HOLT	J51299	FULLE	JOO038066	FWD	JV508	VIC
481163!		472572!		415072		BS40110	
HLX295	MASSE	J51299	MARMO	JOO083065	FWD	JV510	VIC
240151		472572!		415559		710205	
HM371	LK-BT	J5349457	AMC	JR139	FMC	JV510	VIC
482253		710928		472439		BS16144	
HM377	LK-BT	J5356675	AMC	JR139	LK-BT	JV513	VIC
415023		442874		472439		3772	
HM59	LK-BT	J5359457	AMC	JSX-99333	SPG	JV518	VIC
415001!		3173		99333		BS40268	
HO1092	LETN	J5365082	AMC	JSX-99351	SPG	JV523	VIC
415379=		3945		99351		2922RS	
HO8	ATP	J6816980	CHRY	JSX-99372	SPG	JV523	VIC
7300S		224253		99372		2942RS	
HO9	ATP	J6X176	CATER	JSX-99437	SPG	JV523	VIC
7692S		455079=		99437		BS40380	
HS282	HOUGH	J802820	CASE	JSX-99650	SPG	JV523	VIC
473243		907104		99650		BS40620	
HS4537AH-1	CHRY	J8121397	AMC	JSX99210	SPG	JV523	VICRL
415371		722108		99210		82001	
HS925	HOUGH	J8121399	WILYS	JSX99311	SPG	JV525	VIC
474278		472397!		99311		BS40449	
HU0464	SPG	J8121781	AMC	JSX99362	SPG	JV525	VIC
HU110A		710068		99362		BS40449-1	
HWF009C	SPG	J8124630	AMC	JSX99367	SPG	JV531	VIC
HWF009A		5131		99367		5210	
HX43662	JOHND	J8124881	AMC	JSX99599	SPG	JV534	VIC
471255!		3638		99599		227235	
HX44879	JOHND	J8124893	AMC	JT265A	MINNM	JV534	VIC
471529		9613S		470059		228005	
HY5A	HOLT	J8125718	AMC	JT265A	MINNM	JV536	VIC
6701=		3638		470380!		229005	
HY694	HU-WR	J8127350	AMC	JT3005	MINNM	JV540	VIC
417267		722109		473010!		224250	
HY704	HU-WR	J8127391	AMC	JT3089	MINNM	JV547	VIC
471472!		3638		450165		3893V	
HYD-2-A6	FAIRB	J8128013	AMC	JT3089	MINNM	JV547	VIC
470625!		2443		471801!		39608	
HYD-2-A7	FAIRB	J8128016	AMC	JT3111	MINNM	JV548	VIC
417316!		222820		471192		229005	
ID306	IDECO	J8128016	AMC	JT3134	MINNM	JV550	VIC
416229		28X40X7!		472299		228700	
ID30927	IDEAL	J8129096	AMC	JT367	MINNM	JV552	VIC
35127		5131		417316!		3698	
ID30994	IDEAL	J8130762	AMC	JT467A	MINNM	JV552	VIC
35094		471737		415995!		BS40110	
IE3648	DENCO	J8130762	CHRY	JT885	MINNM	JV552	VICRL
473454		471737		417267		82012	
IN3216	CATER	J8130808	AMC	JT885A	MINNM	JV553	VIC
5634		472572		472354!		3698	
ISK76884	IH	J8130810	AMC	JV-1055	VIC	JV553	VIC
416167!		472572		710233		716445	
IX223	GRAY	J8130870	AMC	JV1000	VIC	JV553	VIC
471255!		3173		TCS45635		BS40110	
IXE446	GRAY	J8130870	AMC	JV1002	VIC	JV553	VIC
472439		710928		TCS45639-2		BS40578	
J-0081	JEFF	J8130982	AMC	JV1004	VIC	JV553	VICRL
473461!		341022		TCS45635		82012	
J0719273	AMC	J8131669	AMC	JV1006	VIC	JV556	VICRL
223005		711552		TCS45635		82016	
J0719273	CHRY	J8131674	AMC	JV1007	VIC	JV557	VIC
223005		471466		224250		BS40396	
J0719273	RENAU	J8132672	AMC	JV1015	VIC	JV563	VIC
223005		472439		225020		228009	
J0719274	AMC	J8132779	AMC	JV1023	VIC	JV565	VIC
225020		7412S		224250		TCS45483	
J0719274	CHRY	J8132822	AMC	JV1025	VIC	JV567	VIC
225020		483793		223220		716102	
J0719274	RENAU	J8132957	AMC	JV1036	VIC	JV568	VIC
225020		473442!		224460		17746	
J0742021	RENAU	J8133528	AMC	JV1044	VIC	JV569	VIC
222267		3638		223012		17748	
J0743161	RENAU	J8133643	AMC	JV1054	VIC	JV595	VIC
228010		341022		1181		BS40583	
J0853373	CHRY	J8134216	AMC	JV1059	VIC	JV596	VIC
229005		472319		710332		40375	
J0854842	RENAU	J8134446	AMC	JV1059	VIC	JV600	VIC
1172		710046		TCS45719		5068	
J0854852	RENAU	J8134478	AMC	JV1062	VIC	JV602	VIC
1172		3173		710056		5095	
J0859691	RENAU	J8134478	AMC	JV1071	VIC	JV603	VIC
3771		710928		TCS45689		5092	
J0938031	AMC	J8134568	AMC	JV1072	VIC	JV605	VIC
482267		PSK-1		224460		5127	
J0998092	CHRY	J8134587	AMC	JV1080	VIC	JV606	VIC
5778		474127		TCS45718		5414	
J10544	JOHND	J8134587	CHRY	JV1102	VIC	JV606	VICRL
471570!		474127		TCS45914		82016	
J10544H	JOHND	J8182957	AMC	JV1106	VIC	JV607	VIC
471570!		473442!		TCS45884		5650	
J11692	JOHND	JB5423	LETN	JV1106	VIC	JV610	VIC
470954		456799H=		TCS45968		5132	
J1190	SPG	JB5423	WABCO	JV1107	VIC	JV611	VIC
JX1190		456799H=		TCS45635		713750	
J13672	JOHND	JC-1275136218	JN-CR	JV1117	VIC	JV611	VIC
40169S		325940*=		TCS45873-1		BS15868	
J15506	JOHND	JE9229	MINNM	JV1128	VIC	JV611	VIC
471224		471570!		TCS45918		BS40509	

! Industrial Size/Type * Minor Width Difference = Call 1-800-480-1212 for price and delivery.

Zero Duplication or Recommended			Zero Duplication or Recommended			Zero Duplication or Recommended			Zero Duplication or Recommended		
Mfr. No.	Name	Industrial	Mfr. No.	Name	Industrial	Mfr. No.	Name	Industrial	Mfr. No.	Name	Industrial
JV611	VIC	BS40592	JV860	VIC	5587	K12011AM	Y-T	474281!	K2757RRR	SPG	710006
JV611	VICRL	82011	JV861	VIC	5587	K12011AN	Y-T	472213	K2765P	CASE	80313
JV614	VIC	5117	JV870	VIC	472341!	K12011AP	Y-T	474281!	K2780P	CASE	200854
JV614	VICRL	82005	JV878	VIC	321460	K12011AR	Y-T	472185!	K2789P	CASE	200854
JV615	VIC	473573	JV883	VIC	9845	K12011AS	Y-T	470334!	K2900	AVCO	40360S!
JV617	VIC	473573	JV907	VIC	227550	K12011AT	Y-T	470334!	K2922CA	SPG	710046
JV617	VIC	5750	JV907	VIC	75X100X12!	K12011AU	Y-T	470334!	K2922S	SPG	710046
JV617	VICRL	82027	JV910	VIC	224520	K12011AV	Y-T	473447	K2942RRR	SPG	350936
JV618	VIC	5117	JV910	VIC	45X60X10!	K12011AW	Y-T	470334!	K2955RXO	SPG	2955
JV618	VIC	5118	JV914	VIC	3771	K12011AW	Y-T	50289	K300	PORTR	455197N
JV618	VICRL	82015	JV941	VIC	224460	K12011AX	Y-T	473447	K3008	CASE	6575S
JV619	VIC	3698	JV942	VIC	224460	K12011AZ	Y-T	473462	K301	PORTR	415351!
JV624	VIC	17720	JV943	VIC	224835	K12011BA	Y-T	472394	K3028R	SPG	473179
JV626	VIC	1945	JV944	VIC	224460	K12011BB	Y-T	472924!	K3028RER	SPG	473179
JV626	VIC	228480	JV945	VIC	224835	K12011BD	Y-T	470530!	K3028RXR	SPG	473179
JV627	VIC	228020	JV954	VIC	TCS45472	K12011BG	Y-T	472409!	K3028R	SPG	473179
JV627	VIC	80X105X13!	JV954	VIC	TCS45483	K12011BK	Y-T	455321	K3028VG2	SPG	417360
JV628	VIC	226020	JV956	VIC	710331	K12011BL	Y-T	471272!	K305	PORTR	416892!
JV628	VIC	60X80X8!	JV962	VIC	224250	K12011BM	Y-T	411253!	K30622	VIC	35224
JV629	VIC	227040	JV982	VIC	3476	K12011BN	Y-T	472029	K3083HN	SPG	3083
JV629	VIC	70X90X10!	JV983	VIC	3476	K12011BQ	Y-T	413248	K3103VXR	SPG	713103
JV629	VIC	BS25035	JV984	VIC	1108	K12011BR	Y-T	415458!	K31111	VIC	35418
JV634	VIC	227550	JV993	VIC	3459	K12011BS	Y-T	417082	K32003	ROSS	5458\$
JV634	VIC	75X100X12!	JV994	VIC	224460	K12011BU	Y-T	416921!	K320249VA	SPG	320249
JV636	VIC	BS16192	JV998	VIC	224250	K12011BV	Y-T	416921!	K320249VA1	SPG	320249
JV637	VIC	5591	JVE753	SPG	JV753	K12011BW	Y-T	416921!	K320259VD	SPG	320259
JV638	VIC	5112	JX1966+3501V	SPG	5666	K12011C	Y-T	471553!	K3202615	KY-CL	471554!
JV638	VIC	5112S	K-100111VA	SPG	4564V	K12011CB	Y-T	415027!	K320612RA	SPG	224025
JV638	VICRL	82024	K-4562-VA1	SPG	4562V	K12011CB	Y-T	415027	K320676RA	SPG	710345
JV640	VIC	224520	K-474241-V	SPG	474241V!	K12011G	Y-T	481568!	K320750VD	SPG	223420
JV640	VIC	45X60X10!	K-977122TD	SPG	977122	K12011H	Y-T	471231!	K320753R	SPG	223340
JV642	VIC	BS40382	K-997100TD	SPG	997100	K12011J	Y-T	481443!	K320759RA	SPG	712001
JV643	VIC	716102	K003896BXR	SPG	3896	K12011M	Y-T	481650	K32077	WHITE	323138!
JV644	VIC	228480	K100000	TIMKE	471570!	K12011N	Y-T	481650	K320802R	SPG	224020
JV648	VIC	BS1280	K100044CA	SPG	2007N	K12011R	Y-T	480210!	K320802RA	SPG	224020
JV650	VIC	5419	K100058TX	SPG	100058	K12011S	Y-T	471651	K320840RA	SPG	222025
JV650	VIC	BS5048	K100110VA	SPG	4563V	K12011V	Y-T	471765!	K320910RA	SPG	225020
JV656	VIC	BS1280	K100129R	SPG	712692	K12011Y	Y-T	471354!	K320910RA1	SPG	225020
JV658	VIC	BS5974	K100252TD	SPG	100252	K1256	PUL	412119!	K320910VD	SPG	225020
JV663	VIC	BS1280	K100253TD	SPG	100253	K13006	ROSS	471652	K320917RA	SPG	223014
JV664	VIC	5585	K100270TX	SPG	100270	K134-171	KEN	733111	K321152HA	SPG	1108
JV677	VIC	BS5974	K100294TD	SPG	100294	K1364	PUL	471554!	K321155RA	SPG	223750
JV683	VIC	5596=	K100296TD	SPG	100296	K1381	ROSS	472287!	K321155VD	SPG	223750
JV687	VIC	5585	K100348TD	SPG	100467	K13810	ROSS	472287!	K321155VD	SPG	321155
JV688	VIC	BS5155	K100352TD	SPG	100352	K1443	OLIVE	416921!	K321157	SPG	224460
JV690	VIC	5479	K100369VD	SPG	100369	K1447	FULLE	OK1000	K321157VD	SPG	321157
JV692	VIC	BS5974	K100447VA8	SPG	4278	K1450	FULLE	OK1000	K321158R	SPG	223012
JV698	VIC	BS5974	K100459TX	SPG	100459T	K14669	ROSS	471649!	K321165R	SPG	224650
JV699	VIC	5072	K100467TD	SPG	100467	K154	MINNM	472572!	K321165RA	SPG	224650
JV705	VIC	5072	K100497VA8	SPG	100497V	K1582	OLIVE	323138!	K321204V	SPG	223420
JV706	VIC	5092	K100497VA8	SPG	710452	K1588	OLIVE	410496!	K321204VG	SPG	223420
JV707	VIC	5390	K100664SSR	SPG	9599S	K1590	OLIVE	473436	K321208	SPG	321460
JV707P	VIC	5390	K100672V	SPG	350936	K1590	WHITE	473436	K321212RA	SPG	321212
JV708	VICRL	82022	K100686VXR	SPG	4189H	K1622	AVCO	200354	K321212RA	SPG	710316
JV710	VIC	5095	K100721R	SPG	1940	K1660	AVCO	471354!	K321214V	SPG	710164
JV712	VIC	5576	K100721RA	SPG	1940	K1715	AVCO	350909	K321220RA	SPG	222020
JV719	VIC	5591	K100733VD	SPG	710210	K1715	AVCO	471224!	K321220RA	SPG	710450
JV728	VIC	5337	K1110	OLIVE	415995!	K2002	FULLE	OK1000	K321229	SPG	712010
JV730	VIC	5095	K11223B	Y-T	450400	K2205RA	SPG	2205	K321236RA	SPG	1987
JV730	VICRL	82003	K12001D	Y-T	470954!	K2262	OLIVE	411	K321238RA	SPG	710318
JV730P	VIC	5116	K12011AA	Y-T	471750!	K2279H	SPG	415449	K321240RA	SPG	1038
JV730R	VIC	5108	K12011AD	Y-T	470774!	K229	PORTR	416345!	K321244RA	SPG	1953
JV732	VIC	BS1280	K12011AE	Y-T	470950!	K229	PORTR	455033	K321250RA	SPG	710310
JV741	VIC	5095	K12011AE	Y-T	6241S	K2375	PUL	470530!	K321250V	SPG	710310
JV742	VIC	5591	K12011AF	Y-T	473215!	K24004	ROSS	240356	K321251HA	SPG	223602
JV743	VIC	5111	K12011AG	Y-T	470625!	K2530	AVCO	471224!	K321251RA	SPG	710308
JV743	VIC	5111S	K12011AH	Y-T	470625!	K2532	AVCO	473232	K321266R	SPG	221710
JV743	VICRL	82017	K12011AJ	Y-T	470059	K2658HXO	SPG	2658	K321266RA	SPG	221710
JV745	VIC	5591	K12011AJ	Y-T	470380!	K2692RXR	SPG	350936	K321273R	SPG	221820
JV749	VIC	5095	K12011AK	Y-T	471820	K2693P	CASE	6833=	K321273RA	SPG	221820
JV821	VIC	5587	K12011AL	Y-T	470059	K2757R	SPG	2757N	K321282R	SPG	223831
JV844	VIC	5587	K12011AL	Y-T	470380!	K2757RA	SPG	2757N	K321282RA	SPG	223831

! Industrial Size/Type \$F-M Number Is Part Of A Kit = Call 1-800-480-1212 for price and delivery.

ALPHABETICAL

Zero Duplication or Recommended		Zero Duplication or Recommended		Zero Duplication or Recommended		Zero Duplication or Recommended					
Mfr. No.	Name	Mfr. No.	Name	Mfr. No.	Name	Mfr. No.	Name				
K321287RA	SPG	712001*	K4337 CASE	471264!	K5347 CASE	200878=	K8169240AA18	GE	471554!		
K321293RA	SPG	223220	K435 TLSMI	415458!	K5348 CASE	JV1060=	K8169240AA19	GE	471472!		
K321295RA	SPG	224020	K4445 AVCO	473231!	K5511 SPG	5732	K8169240AA2	GE	481537		
K321298RA	SPG	223802	K4458VA0	SPG	472324	39804	K8169240AA20	GE	350435		
K321299R	SPG	223800	K4529RER	SPG	4529N	415991	K8169240AA21	GE	320457		
K321299RA	SPG	223800	K4538 AVCO	40520S	K565 PORTR	455146!	K8169240AA3	GE	330385!		
K32129SRA	SPG	224020	K4543VA1	SPG	476470	415995!	K8169240AA5	GE	471539!		
K321306H	SPG	712007	K4544VA1	SPG	4544V	481864	K8169240AA6	GE	481073		
K321306HA	SPG	712007	K4582 AVCO	473445	K588 TLSMI	418028	K8169240AA7	GE	470954!		
K321313R	SPG	223010	K4583 AVCO	473235!	K588 TLSMI	455137!	K8169240AA8	GE	474277		
K321313RA	SPG	223010	K4598RE0	SPG	4598	471820	K8169240AB1	GE	471766!		
K321364R	SPG	710187	K4598RER	SPG	4598	5728	K8169240AD3	GE	340413		
K321364RA	SPG	710187	K46 TMT	204002	K600001	SPG	901017	K8169240AD4	GE	330385	
K321378R	SPG	321378	K4635HX0	SPG	4635H	39887	K8169240AD5	GE	472560N		
K321378RA	SPG	710233	K4655 AVCO	471344	K600053	SPG	921633	K8169240AD8	GE	471224!	
K321380R	SPG	321380	K4655RER	SPG	714655	901558	K818 BUTBN		472179		
K321380RA	SPG	223230	K4661 AVCO	42352S	K600156	SPG	417433	K844 PORTR		417601	
K321382R	SPG	226510	K470676R	SPG	710345	600211	K8705301	RCA	471442!		
K321382RA	SPG	226510	K471113VJ	SPG	471113V	39890	K8705302	RCA	455151		
K321383RA	SPG	710236	K471113VJR	SPG	471113V	39900	K8705303	RCA	471791		
K321416R	SPG	1205N	K471188R	SPG	472492	907104	K8705304	RCA	416332!		
K321416R	SPG	321416	K471225R	SPG	710263	600308	K8767 ROSS		471750!		
K321416RA	SPG	321416	K4727 CASE	200880=	K600308	SPG	417433	K8768 ROSS		471224!	
K321421H	SPG	1172	K475937H	GO SPG	415937	41163T	K8772152AA2	GE	330385!		
K321421HA	SPG	1172	K4813VDR	SPG	4813V	907190	K901017TD	SPG	901017		
K321430R	SPG	710355	K482 TLSMI	55155=	K600376	SPG	39869	K901519TB	SPG	473517	
K321430RA	SPG	710355	K4846VA8	SPG	3604	39869	K901534TD2	SPG	415303		
K321433VD	SPG	710399	K4846VA8	SPG	4846	39869	K901543TD	SPG	417350		
K3227RXR	SPG	3227	K487397V	GR SPG	487397V	907190	K901558TD	SPG	901558		
K3229964	KY-CL	417486	K4942R	SPG	4072N	600399	K901558TD1	SPG	39882		
K323324VG	SPG	3476V	K4942RER	SPG	4072N	5734	K901605TB	SPG	39849		
K324115R	SPG	223235	K4950RER	SPG	4950	416404	K902519TD2	SPG	39926		
K324115RA	SPG	223235	K501 PORTR	415645!	K600428	SPG	710926	K9028 PUL		472015!	
K324151R	SPG	710316	K501 PORTR	455104	K600454	SPG	600454	K904072TD0	SPG	904072	
K324186H	SPG	710190	K5010 AVCO	471413	K600L-200	CONTI	412119!	K904229TD	SPG	904229	
K324186HA	SPG	710190	K502 PORTR	416865!	K620 MASSE	472439	K904301TDR	SPG	470898		
K324204VX	SPG	324204	K503 TLSMI	473466	K620 OLIVE	472439	K904309TB	SPG	39803		
K325408R	SPG	227410	K504 PORTR	416892!	K620 WHITE	472439	K904309TBR	SPG	39803		
K3273 AVCO		470625!	K5045 CASE	471224	K623448S	CASE	470898	K907010TD	SPG	907010	
K327820HA	SPG	228015	K506 PORTR	416888!	K623450	CASE	472015!	K907040TD	SPG	39887	
K3325179	KY-CL	415937!	K507 PORTR	455311	K63080	TIMKE	473214	K907040TD2	SPG	39887	
K3365 AVCO		203006!	K5108219	KY-CL	205017	K65300	TIMKE	205009=	K907041TD1	SPG	39887
K3382 AVCO		417509	K511 PORTR	415035	K6700846	KY-CL	471567!	K907068TD2	SPG	39886	
K3385 AVCO		470088	K511 PORTR	415035!	K674 TLSMI		472560N!	K907084TD	SPG	39900	
K3487 AVCO		471689!	K5114335	KY-CL	415284	K679 BUTBN	415023	K907093TD	SPG	39804	
K3489 AVCO		471413	K5115454	KY-CL	417344	K682 BUTBN	470950!	K907104TB	SPG	907104	
K3517SSO	SPG	9845	K5116224	KY-CL	473454	K682 BUTBN	6241S	K907159TD	SPG	471267	
K3517VXR	SPG	9845V	K5116229A	KOHL	415035=	K687 BUTBN	472258!	K907186TB	SPG	39869	
K3557 AVCO		471787	K5117983	KY-CL	470954!	K693 OLIVE	455079!	K907188TB	SPG	907188	
K3600 FORD		200354	K5131329	KY-CL	470625!	K693 PORTR	415090	K907190TB	SPG	907190	
K36060 OLIVE		205004	K5134336	KOHL	482253=	K694 PORTR	455290	K914413TDR	SPG	914413	
K36060 TIMKE		205004	K5134924	KY-CL	482069N	K694 TEXAS	455290	K917004TD2	SPG	41163T	
K3700BXR	SPG	7044NA	K515 PORTR	416229	K706165	WILYS	416738!	K917130TD	SPG	39609	
K3727RB	SPG	1963	K5153373	KY-CL	417344!	K706165	WILYS	450096	K917238TD	SPG	416404
K3732BXR	SPG	3732S	K5154314	KY-CL	416271!	K734504	WILYS	410059	K921633TG	SPG	921633
K37498K	JOHND	471413	K516 PORTR	416107!	K734504	WILYS	470380!	K924057TD0	SPG	924057	
K3891 AVCO		472164!	K516 PORTR	455073	K735996	WILYS	472560N	K924381TBR	SPG	36384	
K3892 AVCO		471192	K5161028	KY-CL	471570!	K769 PUL	476838!	K927112TD1	SPG	927112	
K3990RA	SPG	1990	K517 PORTR	417602!	K7931 CASE	6590S	K9331 ROSS		471570!		
K4026RX	SPG	4026	K517 TEXAS	417602!	K801077TD	SPG	801077	K941001TB	SPG	600211	
K4027RER	SPG	4072	K518 PORTR	415072	K8104558AB11	GE	470606!	K944080TDR	SPG	471267	
K4027RER	SPG	4072N	K5192438	KY-CL	6370N	K8104558AB3	GE	481073	K944229TD	SPG	944229
K4048 AVCO		203008	K5192439	KY-CL	J712	K8104558AB4	GE	474276!	K944349TD	SPG	417433
K4072REK	SPG	4072	K5196927	KY-CL	75251S	K8104558AB6	GE	471472!	K944349TD0	SPG	417433
K4072REK	SPG	4072N	K5197860	KOHL	455251N	K8169240AA10	GE	471281!	K944379TB	SPG	944379
K4074VJ0	SPG	3604	K521 PORTR	417596	K8169240AA11	GE	471103!	K9444161TC	SPG	944416	
K415327V	SPG	415327	K521 TEXAS	417596	K8169240AA13	GE	471255!	K947058TD	SPG	39890	
K4278BX	SPG	4278	K522 TLSMI	473451!	K8169240AA14	GE	470590	K947058TD1	SPG	39890	
K4278BXR	SPG	4278	K5230007	KY-CL	471526!	K8169240AA15	GE	50199S!	K947119TD	SPG	471255
K4278VJ0	SPG	4278	K5255 CASE	455019!	K8169240AA15	GE	6863S!	K947128TB	SPG	600211	
K4279 AVCO		450492	K5312 CASE	JV1019=	K8169240AA16	GE	471255!	K95 PUL		415995!	
K43 CASE		204002	K5318 CASE	200875=	K8169240AA17	GE	471224!	K9502BJ0	SPG	7044NA	

! Industrial Size/Type * Minor Width Difference = Call 1-800-480-1212 for price and delivery.

Zero Duplication or Recommended Industrial		Zero Duplication or Recommended Industrial		Zero Duplication or Recommended Industrial		Zero Duplication or Recommended Industrial	
Mfr. No.	Name	Mfr. No.	Name	Mfr. No.	Name	Mfr. No.	Name
L-0020-041	IAPCO	L-0080-003	IAPCO	L0038007	IAPCO	L0065005	IAPCO
L-0020-043	IAPCO	L-0080-004	IAPCO	L0038009	IAPCO	L0065005	IAPCO
L-0020-044	IAPCO	L-0080-007	IAPCO	L0038009	IAPCO	L0065011	IAPCO
L-0020-045	IAPCO	L-0080-010	IAPCO	L0038012	IAPCO	L0065011	IAPCO
L-0020-048	IAPCO	L-0080-011	IAPCO	L0038012	IAPCO	L0066001	IAPCO
L-0020-049	IAPCO	L-0090-002	IAPCO	L0040005	IAPCO	L0066001	IAPCO
L-0020-050	IAPCO	L-4561-VA1	SPG	L0040005	IAPCO	L0066014	IAPCO
L-0020-051	IAPCO	L-4810-VA1	SPG	L0040005	IAPCO	L0066014	IAPCO
L-0022-003	IAPCO	L0001002	IAPCO	L0040019	IAPCO	L0070007	IAPCO
L-0022-006	IAPCO	L0001002	IAPCO	L0040019	IAPCO	L0070007	IAPCO
L-0022-013	IAPCO	L0004001	IAPCO	L0040023	IAPCO	L0070029	IAPCO
L-0022-019	IAPCO	L0004001	IAPCO	L0040023	IAPCO	L0071001	IAPCO
L-0026-008	IAPCO	L0010001	IAPCO	L0040024	IAPCO	L0071001	IAPCO
L-0026-011	IAPCO	L0010001	IAPCO	L0040024	IAPCO	L0071004	IAPCO
L-0026-012	IAPCO	L0010002	IAPCO	L0046001	IAPCO	L0071004	IAPCO
L-0026-014	IAPCO	L0010002	IAPCO	L0046001	IAPCO	L0080005	IAPCO
L-0026-016	IAPCO	L0010002	IAPCO	L0046001	IAPCO	L0080005	IAPCO
L-0026-021	IAPCO	L0010003	IAPCO	L0046002	IAPCO	L0090003	IAPCO
L-0026-022	IAPCO	L0010003	IAPCO	L0046002	IAPCO	L0090003	IAPCO
L-0026-023	IAPCO	L0010003	IAPCO	L0046004	IAPCO	L0090003	IAPCO
L-0029-001	IAPCO	L0010007	IAPCO	L0046004	IAPCO	L0090004	IAPCO
L-0029-002	IAPCO	L0010007	IAPCO	L0046006	IAPCO	L0090004	IAPCO
L-0029-008	IAPCO	L0010012	IAPCO	L0046006	IAPCO	L0090004	IAPCO
L-0034-002	IAPCO	L0010012	IAPCO	L0046009	IAPCO	L10 LETN	
L-0038-010	IAPCO	L0010013	IAPCO	L0046009	IAPCO	L10 LETN	
L-0038-011	IAPCO	L0010013	IAPCO	L0046010	IAPCO	L100052TD	SPG
L-0038-013	IAPCO	L0016003	IAPCO	L0046010	IAPCO	L100052TX	SPG
L-0040-010	IAPCO	L0016003	IAPCO	L0046011	IAPCO	L100052TX0	SPG
L-0040-018	IAPCO	L0016012	IAPCO	L0046011	IAPCO	L100065R	SPG
L-0048-001	IAPCO	L0016012	IAPCO	L0048007	IAPCO	L100065RER	SPG
L-0054-003	IAPCO	L0016014	IAPCO	L0048007	IAPCO	L100079R	SPG
L-0054-005	IAPCO	L0016014	IAPCO	L0048008	IAPCO	L100085TX	SPG
L-0054-015	IAPCO	L0016015	IAPCO	L0048008	IAPCO	L100086VJ	SPG
L-0058-003	IAPCO	L0016015	IAPCO	L0054008	IAPCO	L100086VJR	SPG
L-0058-015	IAPCO	L0017004	IAPCO	L0054008	IAPCO	L100095TD	SPG
L-0061-001	IAPCO	L0017004	IAPCO	L0058007	IAPCO	L100100VJ0	SPG
L-0061-004	IAPCO	L0017007	IAPCO	L0058007	IAPCO	L100100VJR	SPG
L-0061-005	IAPCO	L0017007	IAPCO	L0058008	IAPCO	L100189VJ	SPG
L-0061-013	IAPCO	L0020007	IAPCO	L0058008	IAPCO	L100200VJ	SPG
L-0061-018	IAPCO	L0020007	IAPCO	L0058009	IAPCO	L100202TD	SPG
L-0061-019	IAPCO	L0020011	IAPCO	L0058009	IAPCO	L100203TD	SPG
L-0061-021	IAPCO	L0020011	IAPCO	L0058010	IAPCO	L100204TD	SPG
L-0061-022	IAPCO	L0020012	IAPCO	L0058010	IAPCO	L100205TD	SPG
L-0061-025	IAPCO	L0020012	IAPCO	L0061002	IAPCO	L100239TD	SPG
L-0061-031	IAPCO	L0020013	IAPCO	L0061002	IAPCO	L100254TD	SPG
L-0062-003	IAPCO	L0020013	IAPCO	L0061006	IAPCO	L100266VA	SPG
L-0062-013	IAPCO	L0020014	IAPCO	L0061006	IAPCO	L100328TD0	SPG
L-0062-014	IAPCO	L0020014	IAPCO	L0061007	IAPCO	L100468TD	SPG
L-0062-018	IAPCO	L0020018	IAPCO	L0061007	IAPCO	L100607VD	SPG
L-0062-021	IAPCO	L0020018	IAPCO	L0061008	IAPCO	L100658HA	SPG
L-0062-022	IAPCO	L0020021	IAPCO	L0061008	IAPCO	L100729VD1	SPG
L-0062-023	IAPCO	L0020021	IAPCO	L0061009	IAPCO	L10190	MWCEL
L-0062-025	IAPCO	L0020023	IAPCO	L0061009	IAPCO	L10190	MWCEL
L-0062-026	IAPCO	L0020023	IAPCO	L0061010	IAPCO	L10191	MWCEL
L-0062-028	IAPCO	L0020036	IAPCO	L0061010	IAPCO	L102 ITM	
L-0062-030	IAPCO	L0020036	IAPCO	L0061012	IAPCO	L1025	TLSMI
L-0065-006	IAPCO	L0020039	IAPCO	L0061012	IAPCO	L103	LETN
L-0065-007	IAPCO	L0020040	IAPCO	L0061015	IAPCO	L1032	TLSMI
L-0065-008	IAPCO	L0020040	IAPCO	L0061015	IAPCO	L1091	TLSMI
L-0065-009	IAPCO	L0026010	IAPCO	L0061016	IAPCO	L10963	PETTI
L-0066-007	IAPCO	L0026010	IAPCO	L0061016	IAPCO	L1110	OLIVE
L-0066-016	IAPCO	L0026010	IAPCO	L0061027	IAPCO	L1139	TLSMI
L-0070-001	IAPCO	L0038001	IAPCO	L0061027	IAPCO	L11783	PETTI
L-0070-002	IAPCO	L0038002	IAPCO	L0061029	IAPCO	L118973	CASE
L-0070-003	IAPCO	L0038002	IAPCO	L0061029	IAPCO	L118978	CASE
L-0070-008	IAPCO	L0038003	IAPCO	L0061030	IAPCO	L1193N	JOHND
L-0070-013	IAPCO	L0038003	IAPCO	L0061030	IAPCO	L1223	TLSMI
L-0070-021	IAPCO	L0038004	IAPCO	L0061032	IAPCO	L1252	LEROI
L-0071-003	IAPCO	L0038004	IAPCO	L0061032	IAPCO	L1253	LEROI
L-0071-005	IAPCO	L0038006	IAPCO	L0061033	IAPCO	L126168	CASE
L-0071-006	IAPCO	L0038006	IAPCO	L0062031	IAPCO	L126168	CASE
L-0080-002	IAPCO	L0038007	IAPCO	L0062031	IAPCO	L126169	CASE
						L128290	CASE

! Industrial Size/Type = Call 1-800-480-1212 for price and delivery.

Zero Duplication or Recommended		Zero Duplication or Recommended		Zero Duplication or Recommended		Zero Duplication or Recommended		
Mfr. No.	Name	Industrial	Mfr. No.	Name	Industrial	Mfr. No.	Name	
L12830	GERL	472924!	L175	LETN	471231!	L31	LETN	471224!
L1295	TLSMI	472560N!	L177	LETN	471785!	L31032	CASE	471554!
L13	LETN	415021	L1787Q	FR-HT	240731	L31035	CASE	476424N
L13199	GERL	455022	L18	LETN	417621!	L3197	LETN	415088N
L1326	LETN	415371	L180	LETN	473010!	L3197	LETN	415088!
L133	LETN	415449!	L181	LETN	470334!	L32	LETN	455584
L1330	JOHND	472179	L182	LETN	417486	L320595HA	SPG	320595
L1330C	JOHND	472179	L1823	JOHND	472492!	L320691VD	SPG	320691
L135	LETN	5865	L1823C	JOHND	474272	L320754R	SPG	222330
L1354	LETN	5865	L183	LETN	417498	L320839VD	SPG	224205
L1355	LETN	40389S	L19	LETN	472179	L321176H	SPG	710334
L136	LETN	416332!	L193	LETN	415007	L321202HA	SPG	227045
L137	LETN	472636!	L1949N	JOHND	472924!	L321209HA	SPG	222743
L1391N	JOHND	240733	L196	LETN	471651	L321218HA	SPG	712008
L14	LETN	415023	L197	LETN	416153!	L321241RA	SPG	228010
L140	LETN	417343!	L198	LETN	417205!	L321278HA	SPG	710332
L141	LETN	455151	L2	LETN	415124	L321283VD	SPG	710331
L1418	JOHND	471763	L20	LETN	472185!	L321312H	SPG	712009
L1419	JOHND	450129	L2015N	JOHND	471652	L321312HA	SPG	712009
L1419	JOHND	472826!	L2029CU	JOHND	4148	L321365VD	SPG	1120
L142	LETN	415066	L2029CU	JOHND	471424!	L3238	FWD	481864
L1420	JOHND	471764!	L2031	CONTI	471554!	L323840H	SPG	710329
L1421	JOHND	450065	L21096	PETTI	473243	L325400V	SPG	325400V
L144	LETN	417604	L2171	PETTI	415645!	L325426HA	SPG	710060
L1443	OLIVE	472016	L2171	PETTI	455104	L325429H	SPG	1019
L147	AVCO	456105	L21711	PETTI	472179	L325429HA	SPG	1019
L147	LETN	415302	L21712	PETTI	470898!	L325588VD	SPG	710237
L148	LETN	474253	L21715	PETTI	472397!	L325635VG	SPG	325635V
L149	AVCO	456105	L21717	PETTI	470625!	L325635VG	SPG	716102
L15	LETN	416892!	L21720	PETTI	472164!	L325641HA0	SPG	228700
L150	LETN	472144!	L21726	PETTI	472924!	L325641VD0	SPG	228700
L151	LETN	415021	L2175S	SPG	2175	L325649HA	SPG	3698
L153	LETN	412119!	L2178	PETTI	472636!	L325662VD	SPG	3698
L154	LETN	417556	L2194RA	SPG	7692S	L325662VD0	SPG	3698
L1544C	JOHND	472439	L2194RX	SPG	2194	L325662VD0	SPG	3698
L155	LETN	473461!	L2194RX8	SPG	2194	L325663VD	SPG	2377
L156	LETN	411253!	L2194RXR	SPG	2194	L325691H	SPG	229006
L157	LETN	471554!	L22	LETN	415938	L325691HA	SPG	229006
L158	LETN	471466!	L2202N	JOHND	472157!	L325694HA0	SPG	228009
L1586C	JOHND	240414	L2202N	JOHND	472157	L3257	HU-WR	471224!
L159	LETN	415058	L2234C	JOHND	471267!	L325707H	SPG	710056
L16	LETN	415138!	L2261V	SPG	2261	L325707HA	SPG	710056
L160	LETN	473462	L2297V	SPG	2297	L325749VD	SPG	228010*
L161	LETN	473462!	L2297V	SPG	2297V!	L325749VD	SPG	325749V
L162	LETN	240027=	L2326BN1	SPG	2326N	L327820HA	SPG	228009
L1624	LETN	415001!	L2326RH	SPG	2326=	L327995VX	SPG	327995
L16243	LETN	415001!	L23645	PETTI	6270	L327995VX	SPG	4307V
L1625	LETN	473464!	L24	LETN	416738!	L328050V	SPG	228005
L1625	LETN	473464	L24	LETN	450096	L328051R	SPG	710060
L1636C	JOHND	254287!	L2465RER	SPG	2465	L328052V	SPG	710075
L1638C	JOHND	471224	L2465RRR	SPG	2465	L328053V	SPG	710232
L1639	LETN	416921!	L25	LETN	474265	L328054V	SPG	227235
L164	LETN	415058	L2551BT	SPG	2551	L328059VD0	SPG	40375
L1648	LETN	412119!	L26	LETN	416107!	L33034	CASE	416070
L16483	LETN	412119!	L26	LETN	455073	L33070	CASE	415458!
L165	LETN	473214	L27	LETN	416476!	L3312	LETN	417498
L1650	LETN	416229	L2776	LETN	416891!	L331210VG0	SPG	331210V
L1661A	LETN	455310	L28	LETN	416229	L33259	CASE	416125!
L167	LETN	473467	L2854RA	SPG	2854	L33282	CASE	473473
L1692	JOHND	473421	L2854RA4	SPG	2854	L33535	CASE	416795N=
L170011	PETTI	473243	L2867VA	SPG	2867V=	L34	LETN	417546!
L170012	PETTI	471692!	L287	LETN	415196!	L34033	CASE	471341
L170015	PETTI	450143	L2872	LETN	415196!	L3411N	JOHND	471407
L170016	PETTI	473460	L2873	LETN	415196!	L3418	LETN	415034!
L170019	PETTI	473245!	L29	LETN	416239!	L35	LETN	416865!
L17002	PETTI	472394	L3	LETN	471766!	L350589VD	SPG	473573
L170025	PETTI	412027	L30	LETN	474265	L350589VG	SPG	473573
L17004	PETTI	412119!	L30014	CASE	470898	L35226	CASE	415196=
L17005	PETTI	471272!	L304	LETN	416666	L35250	CASE	413248
L17007	PETTI	416888!	L30489	CASE	473459	L3541X	MASSE	472185!
L17008	PETTI	415294!	L30578	CASE	481336=	L355778R	SPG	227040
L173	LETN	481650	L30659	CASE	8907	L355778RA	SPG	227040
L36	LETN	471649!	L3654VX	SPG	710056	L3698VD	SPG	3698
L370501	LETN	416229	L3725	LETN	473464!	L37255	LETN	473464
L37255	LETN	473464!	L37255	LETN	473464!	L3750	LETN	416229
L37502	LETN	416229	L38	LETN	415227!	L39	LETN	472287!
L3909VD	SPG	3909	L3909VD	SPG	3909	L3953N	JOHND	471795
L3953N	JOHND	471795	L3958	LETN	417020	L4	LETN	415027!
L4003	LETN	415995!	L4	LETN	415027	L4004RA1	SPG	4040N
L4040RA1	SPG	4040N	L415983RHR	SPG	713750	L43	LETN	473229
L415983RHR	SPG	713750	L43	LETN	473229	L4307V	SPG	4307V!
L43	LETN	473229	L4307V	SPG	4307V!	L4333RAR	SPG	4333N
L4307V	SPG	4307V!	L4333RAR	SPG	4333N	L4333RE0	SPG	4333N
L4333RAR	SPG	4333N	L4359V	SPG	4359V	L4359V	SPG	4359V
L4333RE0	SPG	4333N	L4370RAR	SPG	4370N	L4370RAR	SPG	4370N
L4359V	SPG	4359V	L44	LETN	470565!	L4528RER	SPG	4528N
L4370RAR	SPG	4370N	L4528RER	SPG	4528N	L4530RER	SPG	4530
L44	LETN	470565!	L4530RER	SPG	4530	L4532RE	SPG	4532N
L4528RER	SPG	4528N	L4532RE	SPG	4532N	L46024	LETN	415035!
L4530RER	SPG	4530	L46024	LETN	415035!	L46024	LETN	415035
L4532RE	SPG	4532N	L46024	LETN	415035	L46025	LETN	476470
L46024	LETN	415035!	L46025	LETN	476470	L46048	LETN	415036
L46024	LETN	415035	L46048	LETN	415036	L46050	LETN	415090
L46025	LETN	476470	L46050	LETN	415090	L4670RER	SPG	415449
L46048	LETN	415036	L4670RER	SPG	415449	L471378	LAZOR	35292
L46050	LETN	415090	L471378	LAZOR	35292	L47141RER	SPG	4741
L4670RER	SPG	415449	L47141RER	SPG	4741	L475	LETN	417273
L471378	LAZOR	35292	L475	LETN	417273	L4764RAR	SPG	4764
L47141RER	SPG	4741	L4764RAR	SPG	4764	L4765RAR	SPG	4765
L475	LETN	417273	L4765RAR	SPG	4765	L478L-316	CONTI	485725N
L4764RAR	SPG	4764	L478L-316	CONTI	485725N	L48	LETN	417538
L4765RAR	SPG	4765	L48	LETN	417538	L481033	LAZOR	35316
L478L-316	CONTI	485725N	L481033	LAZOR	35316	L481343	LAZOR	35315
L48	LETN	417538	L481343	LAZOR	35315	L481378	LAZOR	35292
L481033	LAZOR	35316	L481378	LAZOR	35292	L481661	LAZOR	35292
L481343	LAZOR	35315	L481661	LAZOR	35292	L482145	LAZOR	35316
L481378	LAZOR	35292	L482145	LAZOR	35316	L485457VD	SPG	2377
L481661	LAZOR	35292	L485457VD	SPG	2377	L485457VDR	SPG	2377
L482145	LAZOR	35316	L485457VDR	SPG	2377	L49-6027	LAZOR	1981
L485457VD	SPG	2377	L49-6027	LAZOR	1981	L49-7002	LAZOR	224835
L485457VDR	SPG	2377	L49-7002	LAZOR	224835	L49-7010	LAZOR	225880
L49-6027	LAZOR	1981	L49-7010	LAZOR	225880	L49-7029	LAZOR	225020
L49-7002	LAZOR	224835	L49-7029	LAZOR	225020	L49-7037	LAZOR	1994
L49-7010	LAZOR	225880	L49-7037	LAZOR	1994	L49-7061	LAZOR	1953
L49-7029	LAZOR	225020	L49-7061	LAZOR	1953	L49-7072	LAZOR	1992
L49-7037	LAZOR	1994	L49-7072	LAZOR	1992	L49-7088	LAZOR	223830
L49-7061	LAZOR	1953	L49-7088	LAZOR	223830	L49-7118	LAZOR	1994
L49-7072	LAZOR	1992	L49-7118	LAZOR	1994	L49-7126	LAZOR	710318
L49-7088	LAZOR	223830	L49-7126	LAZOR	710318	L49-7142	LAZOR	224560
L49-7118	LAZOR	1994	L49-7142	LAZOR	224560	L49-7150	LAZOR	228005
L49-7126	LAZOR	710318	L49-7150	LAZOR	228005	L49-7169	LAZOR	224465
L49-7142	LAZOR	224560	L49-7169	LAZOR	2244			

Zero Duplication or Recommended		Zero Duplication or Recommended		Zero Duplication or Recommended		Zero Duplication or Recommended					
Mfr. No.	Name	Mfr. No.	Name	Mfr. No.	Name	Mfr. No.	Name				
L49-7304	LAZOR	228010	L49-9013	LAZOR	228009	L600357	SPG	5288	L81-6426	LAZOR	222050
L49-7320	LAZOR	712006	L49-9102	LAZOR	227235	L600361C	SPG	600361	L81-6434	LAZOR	710076
L49-7320	LAZOR	BS27493	L49-9102	LAZOR	228005	L600370	SPG	5290	L81-6469	LAZOR	3771
L49-7380	LAZOR	227045	L49-9129	LAZOR	3771	L600389	SPG	600389	L81-6477	LAZOR	222540
L49-7388	LAZOR	227045	L49-9137	LAZOR	223018	L600394	SPG	600394	L81-6493	LAZOR	1981
L49-7410	LAZOR	228010	L49-9145	LAZOR	223750	L600398	SPG	600398	L81-6507	LAZOR	2016
L49-7428	LAZOR	231004	L49-9145	LAZOR	224460	L600400+93430430	SPG	600400	L81-6515	LAZOR	3771
L49-7428	LAZOR	BS16192	L49-9153	LAZOR	223750	L600402	SPG	39889	L81-6531	LAZOR	712011
L49-7436	LAZOR	3771	L49-9153	LAZOR	224460	L600406	SPG	5291	L81-6558	LAZOR	32X58X8!
L49-7444	LAZOR	222820	L49-9293	LAZOR	712008	L600428	SPG	710927	L81-6566	LAZOR	1979
L49-7444	LAZOR	710325	L49-9307	LAZOR	223420	L600451	SPG	600451	L81-6590	LAZOR	1173
L49-7452	LAZOR	222743	L49-9315	LAZOR	710271	L600477	SPG	5742	L81-6604	LAZOR	223830
L49-7479	LAZOR	223831	L49-9390	LAZOR	223802	L600478	SPG	5741	L81-6612	LAZOR	223542
L49-7533	LAZOR	8316	L49-9420	LAZOR	1989	L600501	SPG	600501	L81-6620	LAZOR	1167
L49-7568	LAZOR	223020	L49-9447	LAZOR	228015	L600504	SPG	600504	L81-6647	LAZOR	1974
L49-7592	LAZOR	228009	L49061	LETN	415047	L600504	SPG	600505	L81-6680	LAZOR	1128
L49-7606	LAZOR	224025	L497231	LAZOR	228020	L600509	SPG	600509	L81-6698	LAZOR	222025!
L49-7622	LAZOR	223340	L497312	LAZOR	2001	L61	LETN	456105	L81-6728	LAZOR	1989
L49-7630	LAZOR	223602	L497312	LAZOR	60X82X12!	L620	OLIVE	473234	L81-6736	LAZOR	1981
L49-7640	LAZOR	223340	L497398	LAZOR	227550	L620	WHITE	473234!	L81-6744	LAZOR	1167
L49-7649	LAZOR	1038	L497398	LAZOR	75X100X12!	L620B	OLIVE	471692!	L81-6752	LAZOR	223240
L49-7657	LAZOR	1021V	L4973VJO	SPG	4765	L63	LETN	412861	L81-6779	LAZOR	1177
L49-7657	LAZOR	BS40265	L497401	LAZOR	228010	L64	LETN	471763	L81-6787	LAZOR	1177
L49-7665	LAZOR	1019	L498220	LAZOR	BS16192-1	L67	LETN	55222=	L81-6795	LAZOR	1177
L49-7665	LAZOR	BS40387	L5	LETN	411376!	L69102	LETN	476470	L81-6817	LAZOR	1176
L49-7673	LAZOR	224025	L50	LETN	416476!	L69105	LETN	416345!	L81-6825	LAZOR	1177
L49-7681	LAZOR	710060	L51	LETN	471442!	L69105	LETN	455033	L81-6850	LAZOR	1959
L49-7681	LAZOR	BS40449	L5162	SPG	4359V	L693	OLIVE	412943	L81-6868	LAZOR	414045!
L49-7690	LAZOR	223235	L5188	GERL	472185!	L7	LETN	472397!	L81-6884	LAZOR	1960
L49-7703	LAZOR	1987	L5259	LETN	416888!	L70	LETN	415988	L81-6922	LAZOR	1956
L49-7738	LAZOR	713771	L5260	LETN	416239!	L71	LETN	415072	L81-6930	LAZOR	1196
L49-7754	LAZOR	227610	L5261	LETN	416107!	L73	LETN	471570!	L81-6949	LAZOR	494122
L49-7754	LAZOR	BS40268	L5261	LETN	455073	L7413R XR	SPG	9613S	L81-6957	LAZOR	474134
L49-7762	LAZOR	710060	L5262	LETN	470059	L75	LETN	473228	L81-6981	LAZOR	413818
L49-7770	LAZOR	227235	L5262	LETN	470380!	L76	LETN	473228	L81-7007	LAZOR	1952
L49-7789	LAZOR	228005	L5263	LETN	41590!	L77	LETN	417487	L81-7015	LAZOR	473367
L49-7878	LAZOR	228005	L5264	LETN	417247!	L7735502	GMC	340872	L81-7023	LAZOR	1938
L49-7886	LAZOR	229006	L5272	SPG	600305	L78	LETN	471567!	L81-7031	LAZOR	1952
L49-7932	LAZOR	222330	L5273	SPG	5273	L8	LETN	415991	L81-7040	LAZOR	1943
L49-7975	LAZOR	221820	L5274	SPG	5274	L8	LETN	455146!	L81-7058	LAZOR	1952
L49-8009	LAZOR	223220	L5277	SPG	5277	L80	LETN	417602!	L81-7066	LAZOR	1949
L49-8017	LAZOR	1217	L5278	SPG	5278	L801010TD	SPG	977105	L81-7082	LAZOR	1992
L49-8025	LAZOR	228700	L5279	SPG	5279	L801018TD	SPG	5288	L81-7090	LAZOR	225230
L49-8041	LAZOR	222020	L5287	SPG	5287	L81-6000	LAZOR	223240	L81-7112	LAZOR	3771
L49-8050	LAZOR	223801!	L5291	SPG	5291	L81-6019	LAZOR	223014	L81-7139	LAZOR	1884
L49-8069	LAZOR	1953	L5492	LETN	415379!	L81-6027	LAZOR	223014	L81-7147	LAZOR	1977
L49-8165	LAZOR	710331	L5492	LETN	415379	L81-6035	LAZOR	2506	L81-7171	LAZOR	1188
L49-8173	LAZOR	710332	L5514	SPG	39807	L81-6043	LAZOR	473258	L81-7198	LAZOR	1183
L49-8173	LAZOR	TCS45719	L5621	LETN	416107!	L81-6060	LAZOR	225110	L81-7244	LAZOR	1948
L49-8181	LAZOR	710331	L5621	LETN	455073	L81-6078	LAZOR	2016	L81-7279	LAZOR	224015
L49-8221	LAZOR	710310	L5638	GERL	473467	L81-6116	LAZOR	2007N	L81-7295	LAZOR	225220
L49-8564	LAZOR	229005	L5754	LETN	415041	L81-6124	LAZOR	350609	L81-7309	LAZOR	710323
L49-8572	LAZOR	223800	L58	LETN	415645!	L81-6132	LAZOR	350609	L81-7317	LAZOR	444116
L49-8599	LAZOR	1981	L58	LETN	455104	L81-6140	LAZOR	221207	L81-7325	LAZOR	1986
L49-8602	LAZOR	228015	L6	LETN	415187	L81-6167	LAZOR	473367	L81-7341	LAZOR	1939
L49-8653	LAZOR	710310	L600012	SPG	600012	L81-6175	LAZOR	494117	L81-7368	LAZOR	224015
L49-8696	LAZOR	223420	L600016	SPG	600016	L81-6183	LAZOR	473812	L81-7384	LAZOR	334111
L49-8700	LAZOR	223605	L600047	SPG	917034	L81-6191	LAZOR	1994	L81-7392	LAZOR	226285
L49-8750	LAZOR	223012	L600095	SPG	39880	L81-6205	LAZOR	1987	L81-7414	LAZOR	224210
L49-8777	LAZOR	223420	L600095	SPG	600095	L81-6213	LAZOR	1990	L81-7430	LAZOR	224255
L49-8793	LAZOR	224835	L600255	SPG	39888	L81-6248	LAZOR	1994	L81-7449	LAZOR	224255
L49-8823	LAZOR	223750	L600278	SPG	39899	L81-6256	LAZOR	223542	L81-7465	LAZOR	712551
L49-8831	LAZOR	229005	L600305	SPG	600305	L81-6256	LAZOR	473823	L81-7473	LAZOR	2009
L49-8904	LAZOR	228480	L600314	SPG	39608	L81-6264	LAZOR	222430	L81-7481	LAZOR	2007N
L49-8912	LAZOR	710318	L600319	SPG	600319	L81-6272	LAZOR	2008	L81-7490	LAZOR	2007N
L49-8939	LAZOR	229006	L600329	SPG	39880	L81-6280	LAZOR	1990	L81-7503	LAZOR	4989
L49-8955	LAZOR	710187	L600345	SPG	947090	L81-6299	LAZOR	712011	L81-7511	LAZOR	2003N!
L49-8963	LAZOR	1981	L600347	SPG	39805	L81-6302	LAZOR	2025	L81-7538	LAZOR	225650
L49-8971	LAZOR	710332	L600348	SPG	917034	L81-6345	LAZOR	224820	L81-7546	LAZOR	225540
L49-8980	LAZOR	1181	L600353	SPG	600353	L81-6353	LAZOR	1984	L81-7554	LAZOR	1960
L49-8998	LAZOR	713771	L600355	SPG	600355	L81-6361	LAZOR	222745	L81-7570	LAZOR	1949
L49-9005	LAZOR	228008	L600356	SPG	39889	L81-6388	LAZOR	223830	L81-7589	LAZOR	413818

! Industrial Size/Type = Call 1-800-480-1212 for price and delivery.

Zero Duplication or Recommended		Zero Duplication or Recommended		Zero Duplication or Recommended		Zero Duplication or Recommended	
Mfr. No.	Name	Mfr. No.	Name	Mfr. No.	Name	Mfr. No.	Name
L81-7619	LAZOR	L81-8925	LAZOR	L816418	LAZOR	L90	LETN
L81-7627	LAZOR	L81-8933	LAZOR	L816442	LAZOR	L90	LETN
L81-7643	LAZOR	L81-8941	LAZOR	L816442	LAZOR	L901019TD	SPG
L81-7653	LAZOR	L81-8950	LAZOR	L816450	LAZOR	L901620TD0	SPG
L81-7660	LAZOR	L81-8976	LAZOR	L816450	LAZOR	L901620TD1	SPG
L81-7694	LAZOR	L81-8984	LAZOR	L816485	LAZOR	L901644TD	SPG
L81-7708	LAZOR	L81-9000	LAZOR	L816485	LAZOR	L902524TD2	SPG
L81-7724	LAZOR	L81-9305	LAZOR	L816540	LAZOR	L903	LETN
L81-7732	LAZOR	L81-9310	LAZOR	L816540	LAZOR	L903	LETN
L81-7732	LAZOR	L81-9336	LAZOR	L816582	LAZOR	L904087TD0	SPG
L81-7732	LAZOR	L81-9344	LAZOR	L816582	LAZOR	L904301TDR	SPG
L81-7759	LAZOR	L81-9387	LAZOR	L816639	LAZOR	L904365TD	SPG
L81-7767	LAZOR	L81-9395	LAZOR	L816639	LAZOR	L904378TD	SPG
L81-7775	LAZOR	L81-9409	LAZOR	L816655	LAZOR	L907025TD1	SPG
L81-7783	LAZOR	L81-9417	LAZOR	L816655	LAZOR	L907042TD1	SPG
L81-7791	LAZOR	L81-9441	LAZOR	L816663	LAZOR	L907059TD	SPG
L81-7813	LAZOR	L81-9450	LAZOR	L816663	LAZOR	L907059TD2	SPG
L81-7830	LAZOR	L81-9468	LAZOR	L816671	LAZOR	L907087TD	SPG
L81-7848	LAZOR	L81-9476	LAZOR	L816671	LAZOR	L907087TD0	SPG
L81-7864	LAZOR	L81-9484	LAZOR	L816701	LAZOR	L907088TD2	SPG
L81-7902	LAZOR	L81-9492	LAZOR	L816701	LAZOR	L907091TD	SPG
L81-7910	LAZOR	L81-9506	LAZOR	L816760	LAZOR	L907091TD	SPG
L81-7929	LAZOR	L81-9514	LAZOR	L816760	LAZOR	L907148TD0	SPG
L81-7945	LAZOR	L81-9557	LAZOR	L816809	LAZOR	L907155TD	SPG
L81-7961	LAZOR	L81-9557	LAZOR	L816809	LAZOR	L907158TD0	SPG
L81-7970	LAZOR	L81-9565	LAZOR	L816833	LAZOR	L911011TD	SPG
L81-7988	LAZOR	L81-9581	LAZOR	L816833	LAZOR	L9116	GERL
L81-7996	LAZOR	L81-9590	LAZOR	L816841	LAZOR	L9117	GERL
L81-8003	LAZOR	L81-9603	LAZOR	L816841	LAZOR	L9117	GERL
L81-8011	LAZOR	L81-9611	LAZOR	L816906	LAZOR	L914411TDR	SPG
L81-8062	LAZOR	L81-9620	LAZOR	L816906	LAZOR	L914412TDR	SPG
L81-8070	LAZOR	L81-9638	LAZOR	L816965	LAZOR	L917009TD	SPG
L81-8097	LAZOR	L81-9646	LAZOR	L816965	LAZOR	L917034TD	SPG
L81-8100	LAZOR	L81-9654	LAZOR	L816973	LAZOR	L917117TD0	SPG
L81-8127	LAZOR	L81-9662	LAZOR	L816973	LAZOR	L917157TD	SPG
L81-8143	LAZOR	L81-9689	LAZOR	L817074	LAZOR	L921648TD	SPG
L81-8151	LAZOR	L81-9697	LAZOR	L817155	LAZOR	L924371TD	SPG
L81-8160	LAZOR	L81-9708	LAZOR	L817155	LAZOR	L924380TD	SPG
L81-8178	LAZOR	L81-9719	LAZOR	L817180	LAZOR	L924404TD	SPG
L81-8194	LAZOR	L81-9727	LAZOR	L817180	LAZOR	L927013TD	SPG
L81-8208	LAZOR	L81-9727	LAZOR	L817252	LAZOR	L927112TD0	SPG
L81-8216	LAZOR	L81-9743	LAZOR	L817252	LAZOR	L927120TD	SPG
L81-8232	LAZOR	L81-9751	LAZOR	L817260	LAZOR	L927312TD	SPG
L81-8259	LAZOR	L81-9760	LAZOR	L817260	LAZOR	L93	LETN
L81-8267	LAZOR	L81-9803	LAZOR	L817287	LAZOR	L934	JOHND
L81-8275	LAZOR	L81-9816	LAZOR	L817333	LAZOR	L941018TD	SPG
L81-8283	LAZOR	L81-9829	LAZOR	L817333	LAZOR	L941619TD1	SPG
L81-8291	LAZOR	L81-9883	LAZOR	L817350	LAZOR	L944211TD	SPG
L81-8291	LAZOR	L81-9905	LAZOR	L817376	LAZOR	L944387TD	SPG
L81-8305	LAZOR	L81-9913	LAZOR	L817376	LAZOR	L947061TD0	SPG
L81-8313	LAZOR	L81-9913	LAZOR	L817406	LAZOR	L947061TD2	SPG
L81-8330	LAZOR	L812	JOHND	L817406	LAZOR	L947090TD	SPG
L81-8348	LAZOR	L812C	JOHND	L817520	LAZOR	L947090TD	SPG
L81-8356	LAZOR	L816051	LAZOR	L817520	LAZOR	L947090TD0	SPG
L81-8364	LAZOR	L816051	LAZOR	L817562	LAZOR	L947193TD	SPG
L81-8372	LAZOR	L816108	LAZOR	L817562	LAZOR	L952537TDI	SPG
L81-8380	LAZOR	L816108	LAZOR	L817635	LAZOR	L9578	GERL
L81-8399	LAZOR	L816221	LAZOR	L818186	LAZOR	L977105TD	SPG
L81-8410	LAZOR	L816230	LAZOR	L818186	LAZOR	L977168TX0	SPG
L81-8429	LAZOR	L816230	LAZOR	L818240	LAZOR	L9780	LETN
L81-8437	LAZOR	L816310	LAZOR	L819360	LAZOR	L9791	LETN
L81-8445	LAZOR	L816310	LAZOR	L819360	LAZOR	L997101TD	SPG
L81-8453	LAZOR	L816310	LAZOR	L819951	LAZOR	LA09010088	LOKWD
L81-8488	LAZOR	L816329	LAZOR	L819951	LAZOR	LA1019	MASSE
L81-8640	LAZOR	L816329	LAZOR	L82	LETN	LA1020	MASSE
L81-8747	LAZOR	L816370	LAZOR	L82	LETN	LA1020	MASSE
L81-8769	LAZOR	L816370	LAZOR	L83	LETN	LA1139	MASSE
L81-8852	LAZOR	L816396	LAZOR	L83	LETN	LA1316	MASSE
L81-8860	LAZOR	L816396	LAZOR	L8477	FWD	LA33560B	FORD
L81-8887	LAZOR	L816400	LAZOR	L851	LETN	LA33562B	FORD
L81-8909	LAZOR	L816400	LAZOR	L852	LETN	LA33565A	FORD
L81-8917	LAZOR	L816418	LAZOR	L9	LETN	LA33623A	FORD

! Industrial Size/Type

ALPHABETICAL

Zero Duplication or Recommended		Zero Duplication or Recommended		Zero Duplication or Recommended		Zero Duplication or Recommended	
Mfr. No.	Name	Mfr. No.	Name	Mfr. No.	Name	Mfr. No.	Name
LA4961	PETTI	M1183	TW-DI	M201576A	PACIF	M24469	VICK
LA49610	PETTI	M1189	TW-DI	M201576A	PACIF	M2449	TW-DI
LA49611	PETTI	M1194	TW-DI	M201576A	TW-DI	M2453	TW-DI
LA49612	PETTI	M1206	TW-DI	M201576A	TW-DI	M2494	TW-DI
LA49615	PETTI	M121	TW-DI	M201586	TW-DI	M2505	TW-DI
LA49619	PETTI	M122	TW-DI	M201589	TW-DI	M2515	TW-DI
LA4963	PETTI	M1226	TW-DI	M20231	VICK	M2530	TW-DI
LA4964	PETTI	M123	TW-DI	M2100	TW-DI	M2553	TW-DI
LA4966	PETTI	M124	TW-DI	M21015	VICK	M2558	TW-DI
LA4967	PETTI	M126C	TW-DI	M2130	KEN	M2571	TW-DI
LA4969	PETTI	M126C	TW-DI	M2130	TW-DI	M25931	VICK
LA7246	PETTI	M136	MANT	M2134	TW-DI	M25931	VICK
LC11962	MWKEL	M1360	TW-DI	M2136A	BR-VN	M2606A	TW-DI
LC2P150	GE	M1360	TW-DI	M21512	FORD	M2609	TW-DI
LD10780	MWKEL	M136A	PACIF	M21512	VICK	M2621A	TW-DI
LD11360	MARMO	M136A	TW-DI	M2154	TW-DI	M2622A	TW-DI
LD11361	MARMO	M136D	TW-DI	M2164	TW-DI	M2650	TW-DI
LD1360	MARMO	M137	OLIVE	M2166	TW-DI	M2676	TW-DI
LD21165	MARMO	M137	TW-DI	M2183	TW-DI	M2685	TW-DI
LD21361	MARMO	M138	TW-DI	M2187	TW-DI	M2685A	TW-DI
LD61133	MARMO	M138A	TW-DI	M2190	TW-DI	M2686A	TW-DI
LD71368	MARMO	M1443	OLIVE	M2190	TW-DI	M2686AA	TW-DI
LF1190A	FORD	M1462	TW-DI	M2190A	TW-DI	M2686AD	TW-DI
LF1190A1	FORD	M1510	NORDG	M2192	TW-DI	M2686B	TW-DI
LF4676A	FORD	M1523	TW-DI	M2192A	TW-DI	M2686C	TW-DI
LH340442	MIHLE	M154	MINNM	M2200	TW-DI	M2686D	TW-DI
LH340442	MIHLE	M1585	GRAY	M2201	TW-DI	M2686E	TW-DI
LH340566	MIHLE	M1585	TW-DI	M2219	TW-DI	M2686F	TW-DI
LH340761	MIHLE	M1585	TW-DI	M2221	TW-DI	M2686G	TW-DI
LH340761	MIHLE	M1585A	TW-DI	M2221	TW-DI	M2686H	TW-DI
LM227	WHITE	M1585A	TW-DI	M2222	TW-DI	M2686J	TW-DI
LM337	WHITE	M16516	FAFNI	M22229	IH	M2686K	TW-DI
LM5	BARRE	M17824	JOHND	M2224	TW-DI	M2686L	TW-DI
LM664	WHITE	M17824	JOHND	M2226	NORDG	M2686M	TW-DI
LR1301	PETTI	M1804	TW-DI	M2230	TW-DI	M2686N	TW-DI
LR1302	PETTI	M1854A	TW-DI	M2234	TW-DI	M2686Q	TW-DI
LR1302	PETTI	M1856	TW-DI	M2239	TW-DI	M2686S	TW-DI
LW6M207	CONTI	M1856A	TW-DI	M2240	TW-DI	M2686T	TW-DI
M00083042	FWD	M1868	TW-DI	M2244	IH	M2686U	TW-DI
M044032195	LEECE	M1875	TW-DI	M2251	TW-DI	M2686V	TW-DI
M054031763	LEECE	M1926	TW-DI	M2251B	TW-DI	M2686X	TW-DI
M054031769	LEECE	M1984	TW-DI	M2252	TW-DI	M2686Y	TW-DI
M054032169	LEECE	M2-L117A	BR-WN	M2253	TW-DI	M2686Z	TW-DI
M054034270	LEECE	M200	MINNM	M2257A	TW-DI	M2695	TW-DI
M054073498	LEECE	M201093	TW-DI	M2258	TW-DI	M2695A	TW-DI
M1037	TW-DI	M201094	TW-DI	M226	TW-DI	M2701	TW-DI
M1037	TW-DI	M201105	TW-DI	M2272A	TW-DI	M2714	TW-DI
M104	TW-DI	M201105TD	KEN	M22811	VICK	M2716	TW-DI
M105	TW-DI	M201189	TW-DI	M22811	VICK	M27180N	JOHND
M1056	TW-DI	M201190	TW-DI	M22918	VICK	M27180N	JOHND
M105A	TW-DI	M201191	TW-DI	M2295	TW-DI	M2718D	JOHND
M105B	TW-DI	M201224	TW-DI	M2295A	TW-DI	M2718D	JOHND
M105TD	CASE	M201290	TW-DI	M23172	VICK	M2718DM	JOHND
M106	TW-DI	M201293	TW-DI	M2347	TW-DI	M2718DM	JOHND
M107	TW-DI	M201305	TW-DI	M2356	KEN	M2731	TW-DI
M108	TW-DI	M201312	TW-DI	M2356	PACIF	M2735	TW-DI
M109	TW-DI	M201433	MINNM	M2356	TW-DI	M2779	TW-DI
M110	TW-DI	M201433	TW-DI	M2371	TW-DI	M2800	TW-DI
M111	TW-DI	M201448	TW-DI	M2371	TW-DI	M2806	TW-DI
M1110	OLIVE	M201482	TW-DI	M2399	TW-DI	M2806A	TW-DI
M1110	WHITE	M201486	TW-DI	M2406	TW-DI	M2807	TW-DI
M112	OLIVE	M201486	TW-DI	M2406	TW-DI	M2815	TW-DI
M112	OLIVE	M201518	KEN	M2408	TW-DI	M2867	TW-DI
M112	TW-DI	M201518	PACIF	M2417	TW-DI	M2876	TW-DI
M113	TW-DI	M201518	TW-DI	M2421	TW-DI	M2876	TW-DI
M1153	TW-DI	M201534	TW-DI	M2423	TW-DI	M2897	TW-DI
M1154	TW-DI	M201535	TW-DI	M24244	DAVEY	M2911	TW-DI
M1160	TW-DI	M201539	TW-DI	M2426	TW-DI	M2933	TW-DI
M1169	TW-DI	M201539	TW-DI	M24286	DAVEY	M2966	TW-DI
M1181	TW-DI	M201539A	TW-DI	M2429	TW-DI	M2970	TW-DI
M1182A	TW-DI	M201539A	TW-DI	M2430	TW-DI	M305308	GWJ
M1182C	TW-DI	M201570	TW-DI	M24407	DAVEY	M305924	GWJ

! Industrial Size/Type * Minor Width Difference = Call 1-800-480-1212 for price and delivery.

Zero Duplication or Recommended		Zero Duplication or Recommended		Zero Duplication or Recommended		Zero Duplication or Recommended		
Mfr. No.	Name	Mfr. No.	Name	Mfr. No.	Name	Mfr. No.	Name	
M315	TW-DI	417316!	M38760R SPG	39886	M552 TW-DI	415449!	MA416 TW-DI	476470
M3161	JA-HE	240457	M38832 SPG	471267	M552A TW-DI	415449	MA416 TW-DI	476470!
M3162	JA-HE	6597S	M38833 MATHR	39904	M5610 BARTL	471192	MA431 TW-DI	417361=
M325529BG	SPG	60X90X10	M38926R MATHR	415303	M5621 BARTL	471651	MA439 TW-DI	416865
M325589VGV	SPG	229210	M38926R SPG	415303	M581 FORD	481568!	MA440 TW-DI	417365=
M340417R91	IH	410708	M38935R MATHR	39930	M600462 SPG	600462	MA452 TW-DI	456483=
M34401	MATHR	39821	M38936R MATHR	39920	M600K-253 CONTI	471554!	MA470 TW-DI	55301S
M35156R	MATHR	39835	M39041 SPG	39882	M600K-257 CONTI	471649!	MA472 TW-DI	100494
M35320R	MATHR	415937	M39044 NATL	39883	M600L-214 CONTI	412119!	MA472 TW-DI	476470!
M3536	CONST	471887	M39044R SPG	39044	M600L354 CONTI	485869N=	MA497 TW-DI	456055N=
M35751R	MATHR	39732	M39054R SPG	39926	M60478 ALLCH	471689!	MA516 TW-DI	485033V=
M35753R	MATHR	472409	M39071 SPG	39881	M605 TW-DI	472179	MA517 TW-DI	472015=
M358	TW-DI	416654!	M39088R MATHR	39806	M605A TW-DI	472179	MA523 TW-DI	415449=
M35940	MATHR	39715	M39089R MATHR	39805	M61872 ALLCH	473474	MA524 TW-DI	415035
M35942	MATHR	39815	M39094 MATHR	39815	M61958 JOHND	200851	MA525 TW-DI	415995!
M35957R	MATHR	39823	M39094 SPG	39815	M64107 JOHND	203025	MA528 TW-DI	3893V!
M35970R	MATHR	39827	M39140R SPG	471192	M671 TW-DI	473228	MA528 TW-DI	415379!
M35994R	MATHR	417433	M39157R MATHR	39804	M6SK136A BR-WN	471272!	MA564 TW-DI	417344
M36074R	MATHR	39837	M39285 MATHR	39807	M7041266 MARMO	240735	MA583 TW-DI	3276=
M36119R	MATHR	39713	M39404 SPG	73478=	M74054261 GE	416865!	MA598 TW-DI	415991
M36386	MATHR	39849	M39448 MATHR	417433	M74054262 GE	415090	MA598 TW-DI	455146!
M36387R	MATHR	470898	M39539 SPG	470898	M74054263 GE	417556	MA623 TW-DI	415725!
M36388R	MATHR	470898	M39547 SPG	473517	M74054264 GE	416107!	MA659 TW-DI	100495
M36390	MATHR	473517	M39549 SPG	470898	M74054264 GE	455073	MA659 TW-DI	417349
M36391R	MATHR	39849	M39558 SPG	39701	M74054265 GE	455584	MA685A TW-DI	415294 *=
M36392R	MATHR	39701	M39592 SPG	39849	M74054266 GE	416239!	MA738 TW-DI	473010
M36393R	MATHR	473517	M39632 SPG	39861	M77099 MATHR	39920	MA743 TW-DI	455134=
M36425R	MATHR	472311	M39990 SPG	41163T	M805 TW-DI	417191	MA744 TW-DI	416865
M36473R	MATHR	39705	M401 TW-DI	450084!	M805 TW-DI	455165!	MA745 TW-DI	415984!
M36476R	MATHR	415937	M40197 SPG	39880	M806 TW-DI	476470	MA764 TW-DI	471341!
M36521R	MATHR	39723	M40281 SPG	39887	M848 TW-DI	455026	MA778 TW-DI	471466!
M36558R	MATHR	39817	M40282 SPG	39888	M849 TW-DI	416125!	MA798 TW-DI	415983N!
M36689R	MATHR	39887	M40375 SPG	40375	M86688 IH	471192	MA875 TW-DI	416865 *=
M36689R	SPG	39887	M40392R SPG	40392	M86690 IH	472185!	MA876 TW-DI	411245 *=
M36690R	MATHR	39888	M40403 MATHR	380003A	M979 MINNM	476470	MA877 TW-DI	415984 *=
M36690R	SPG	39888	M40403B MATHR	370001T	MA103220 CHRYS	473258	MB001170 CHRYS	473258
M36761R	MATHR	39825	M40413 MATHR	380001A	MA103453 CHRYS	471076	MB002074 CHRYS	494122
M36985R	MATHR	39801	M40413G MATHR	370001A	MA103454 CHRYS	221720	MB076351 CHRYS	221830
M36985R	SPG	39801	M40554 MATHR	416158	MA125844 CHRYS	1196	MB092145 CHRYS	224255
M37001	MATHR	39803	M40554B MATHR	370025T	MA181498 CHRYS	1955	MB092145 CHRYS	42X65X10!
M37022	MATHR	39958	M40655R SPG	39882	MA181498 CHRYS	52X65X9!	MB092186 CHRYS	474161
M37098R	MATHR	417621	M40676 JOHND	252277	MA183 TW-DI	415294!	MB092288 CHRYS	481826
M37103R	MATHR	39894	M40902 SPG	40902	MA188 TW-DI	416888	MB092296 CHRYS	224255
M37104R	MATHR	39893	M41050 JOHND	471643!	MA188A TW-DI	416888!	MB092296 CHRYS	42X65X10!
M37269R	MATHR	39956	M41121-53 SPG	914413	MA210 TW-DI	417487!	MB092436 CHRYS	2003N!
M37312R	MATHR	39952	M41186-53 SPG	914411	MA210 TW-DI	417487	MB092437 CHRYS	225010
M37371R	SPG	39879	M41189-53 SPG	914412	MA220 TW-DI	471413=	MB092527 CHRYS	223550
M37586	SPG	37586	M413 TW-DI	411253!	MA223 TW-DI	455107N=	MB160578 CHRYS	224255
M37753R	MATHR	39885	M41381R SPG	5721	MA257 TW-DI	415483	MB160578 CHRYS	42X65X10!
M37753R	SPG	39885	M41381R SPG	5722	MA262 TW-DI	476470!	MB160850 CHRYS	710146
M37759R	MATHR	39890	M41381R SPG	907091	MA267 TW-DI	416289N=	MB160946 CHRYS	710213
M37759R	SPG	39890	M41453 MATHR	40392	MA270 TW-DI	473204=	MB160949 CHRYS	224570
M37760R	MATHR	39889	M41453 SPG	40392	MA273 TW-DI	417605	MB166582 CHRYS	710273
M37760R	SPG	39889	M41454 MATHR	37586	MA287 TW-DI	470530	MB242821 CHRYS	710338
M37796	MATHR	39861	M417 TW-DI	473229	MA288 TW-DI	472636=	MB242821 VILA	710338
M37797	MATHR	39869	M417TD CASE	473229	MA297 TW-DI	415995!	MB242822 CHRYS	38X52X8.5!
M37800	MATHR	39865	M42 TMTR	472924!	MA306 TW-DI	416654	MB242822 CHRYS	710338
M37809R	SPG	39899	M42015 IH	473426	MA319 TW-DI	413248=	MB242822 VILA	710338
M37810R	SPG	39900	M4209 CONST	471264	MA340 TW-DI	450339=	MB290013 CHRYS	451845
M37817R	MATHR	472409	M42523 IH	471827!	MA349 TW-DI	472258!	MB290426 CHRYS	710152
M37921RC	SPG	455134	M436 HUME	200354	MA350 PARGN	415449=	MB290739 CHRYS	225875
M37939R	SPG	415035	M440 GRAY	412473!	MA350 TW-DI	415449=	MB290739 CHRYS	58X75X11!
M380009TD	SPG	417506	M440 TW-DI	412473	MA361 TW-DI	415984=	MB297514 CHRYS	225875
M380023TXO	SPG	380023A	M446 TW-DI	476424N	MA365 TW-DI	417605=	MB297514 CHRYS	58X75X11!
M380025TXO	SPG	416158	M44888 JOHND	471267!	MA366 PARGN	473215=	MB303867 CHRYS	225082
M380047TD	SPG	380047A	M49123 JOHND	471766!	MA366 TW-DI	473215=	MB303875 CHRYS	225230
M380048TA	SPG	380048A	M498 TW-DI	471224	MA369 TW-DI	472492=	MB350906 CHRYS	223215
M380069TD	SPG	380069A	M4K5438 CATER	473244!	MA372 TW-DI	415991	MB393807 CHRYS	710152
M38308R	MATHR	472409	M4X4047 CATER	470487!	MA372 TW-DI	415991!	MB393929 CHRYS	473258
M38613	PI-BA	944416	M4X4051 CATER	473367	MA387 TW-DI	473214=	MB393932 CHRYS	223543!
M38756R	MATHR	39925	M50149A BR-WN	472924!	MA398 TW-DI	455165N=	MB412315 CHRYS	481481
M38760	MATHR	39886	M510 TW-DI	472409=	MA415 TW-DI	415995!	MB501649 CHRYS	222036

! Industrial Size/Type * Minor Width Difference = Call 1-800-480-1212 for price and delivery.

ALPHABETICAL

Zero Duplication or Recommended Industrial		Zero Duplication or Recommended Industrial		Zero Duplication or Recommended Industrial		Zero Duplication or Recommended Industrial					
Mfr. No.	Name	Mfr. No.	Name	Mfr. No.	Name	Mfr. No.	Name				
MB526395	CHRY5	225875	MD16239	MURPH	471570!	MOO083029	FWD	473448	MU149A	CHRY5	471689!
MB526535	CHRY5	710186	MD168055	CHRY5	223750	MOO083030	FWD	415458!	MU7134A	BR-WN	352541
MB526680	CHRY5	710221	MD168057	CHRY5	222025!	MOO083031	FWD	415458!	MU7149A	BR-WN	415449!
MB553349	CHRY5	710272	MD168058	CHRY5	221710	MOO083032	FWD	471652	MW2896	WHITE	340797
MB569924	CHRY5	710207	MD168060	CHRY5	222820	MOO083037	FWD	417316!	MW3277	WHITE	254270
MB569925	CHRY5	710208	MD168061	CHRY5	224460	MOO083038	FWD	473243	MW3348	WHITE	471267!
MB573309	CHRY5	225450	MD174462	CHRY5	224460	MOO083045	FWD	455080	MW479	WHITE	240027=
MB584601	CHRY5	710338	MD174940	CHRY5	710235	MP747	ADAMS	470088	MW1734A	BR-WN	352541
MB584601	VILA	710338	MD180183	CHRY5	223010	MS-20124A	BR-WN	472164!	MW92	WHITE	471532
MB584745	CHRY5	494122	MD2946	MURPH	471554!	MS128	MIRCO	16202	MX49867	JOHND	415035!
MB620515	CHRY5	224874	MD301007	CHRY5	223018	MS20149A	BR-WN	455556	MX49867	JOHND	415035
MB633432	CHRY5	710182	MD339026	CHRY5	223018	MS221	MIRCO	16210	MX50069	JOHND	470530!
MB633434	CHRY5	710183	MD3488	MURPH	473446	MS222	MIRCO	16204	MX51278	JOHND	471192
MB633944	CHRY5	474134	MD359158	CHRY5	710235	MS2231	MIRCO	16200	MX54694	JOHND	415138!
MB636433	CHRY5	221620	MD372248	CHRY5	223018	MS2241	MIRCO	16201	MX60635	JOHND	471646!
MB664439	CHRY5	4989	MD4044	MURPH	471472!	MS225	MIRCO	16208	MX60922	JOHND	415138!
MB664439	CHRY5	710209	MD4066	MURPH	416271!	MS2262	MIRCO	16213	MX60935	JOHND	471646!
MB808443	CHRY5	8430S	MD505608	CHRY5	712007	MS227	MIRCO	16211	MX61829	JOHND	471570!
MB808444	CHRY5	4898	MD5120	MURPH	416339	MS228	MIRCO	16202	MX61943	JOHND	472185!
MB837029	CHRY5	710353	MD5120	MURPH	455031!	MS2281	MIRCO	16212	MX62601	JOHND	415449!
MB837719	CHRY5	4989	MD610203	CHRY5	2025	MS2282	MIRCO	16215	MX62870	JOHND	417344!
MB837719	CHRY5	710209	MD701430	CHRY5	32X48X81	MS2291	MIRCO	16203	MX63090	JOHND	415035!
MBP0511312	FORD	228250	MD701721	CHRY5	710222	MS230	MIRCO	16205	MX63090	JOHND	415035
MBP0511312	FORD	710448	MD701732	CHRY5	223240	MS232	MIRCO	16209	MX73464	JOHND	471570!
MBS-940	NATL	2377	MD701735	CHRY5	25X35X7!	MS235	MIRCO	16217	MX87356	JOHND	40169S
MC1190A	FORD	6815	MD701735	CHRY5	712007	MS237	MIRCO	16216	MX97713	JOHND	415303!
MC33587A	FORD	240151	MD701782	CHRY5	223240	MS331	MIRCO	16250	MXO1111	COC	455189
MC4676A	FORD	5778	MD701782	CHRY5	32X48X81	MS332	MIRCO	16251	MXO1187	COC	470712!
MCX212	CLIMX	415937!	MD703735	CHRY5	223014	MS333	MIRCO	16252	MXO1189	COC	470712!
MCX213	CLIMX	416865!	MD703743	CHRY5	223608	MS334	MIRCO	16253	MXS388	COC	471281!
MCX214	CLIMX	417487	MD703743	CHRY5	36X52X7!	MS334G	MIRCO	16254	MXS826	COC	470354
MCX423	CLIMX	417191	MD704164	CHRY5	224560	MS335	MIRCO	16255	N-12360	SEALD	712025
MCX423	CLIMX	455165!	MD706433	CHRY5	223543	MS336	MIRCO	16256	N-3094	SEALD	712022
MCX661	CLIMX	416364=	MD706433	CHRY5	35X56X10!	MS337	MIRCO	16257	N-3101	SEALD	712021
MCX662	CLIMX	415104N=	MD707184	CHRY5	223543	MS338	MIRCO	16258	N-4940	SEALD	330699
MCX733	CLIMX	240733	MD707184	CHRY5	35X56X10!	MS339	MIRCO	16259	N-6184	SEALD	471466!
MCX74	CLIMX	416654!	MD707575	CHRY5	320583	MS340	MIRCO	16260	N-6229	SEALD	471466
MD-2341	MURPH	J1141	MD711769	CHRY5	224550	MS341	MIRCO	16261	N-7434	SEALD	470954
MD-4059	MURPH	415074	MD712012	CHRY5	223608	MS342	MIRCO	16262	N-7449	SEALD	470954
MD000248	CHRY5	227235	MD719710	CHRY5	710199	MS343	MIRCO	16263	N-8665	SEALD	471267
MD008762	CHRY5	3771	MD723202	CHRY5	223014	MS344	MIRCO	16264	N-9700	SEALD	712018
MD008882	CHRY5	224460	MD731708	CHRY5	224052	MS345	MIRCO	16265	N-9805	SEALD	712012
MD008883	CHRY5	710325	MD741818	CHRY5	712007	MS347	MIRCO	16267	N-9814	SEALD	252277
MD009038	CHRY5	221710	MD742053	CHRY5	710259	MS352	MIRCO	16268	N-9843	SEALD	471224
MD016549	CHRY5	227235	MD94630X	MURPH	415294!	MS356	MIRCO	16269	N-9967	SEALD	471689
MD020240	CHRY5	228005	MD950349	CHRY5	473445	MS5100040-3	KEN	417316=	N10566	MID-R	471554!
MD020435	CHRY5	228005	MD950716	CHRY5	473445	MS5100090-3	CHRY5	470898=	N10813	MID-R	471649!
MD024529	CHRY5	222330	MD950807	CHRY5	1097N	MS9444A	BR-WN	415187	N10919	MID-R	50199S!
MD030789	CHRY5	712001	MDS65	VICK	470954!	MST222	MIRCO	16308	N10919	MID-R	6863S!
MD031837	CHRY5	223018	MF07013	RACIN	50199S!	MST223	MIRCO	16309	N10919A	MID-R	471103!
MD050605	CHRY5	221710	MF07013	RACIN	6863S!	MST226	MIRCO	16310	N10919B	MID-R	471442!
MD050608	CHRY5	712007	MF091	RACIN	472179	MST227	MIRCO	16311	N10919C	MID-R	50199S!
MD068906	CHRY5	424	MH034067	CHRY5	223255	MST228	MIRCO	16312	N10919C	MID-R	6863S!
MD069947	CHRY5	228005	MH60358	ALLCH	472287!	MST331	MIRCO	16300	N10981	MID-R	471192
MD069948	CHRY5	221710	MJA-HH-101	SPICE	477163N	MST332	MIRCO	16301	N10981D	MID-R	471224!
MD069949	CHRY5	224460	MK102	COC	455197N	MST333	MIRCO	16302	N109913	JOHND	473214!
MD069950	CHRY5	712007	MK1190A	FORD	9150S	MST334	MIRCO	16303	N11431	MID-R	50327
MD090761	CHRY5	223010	MK173	COC	473179	MST335	MIRCO	16306	N115080B	FORD	415001!
MD095355	CHRY5	222025!	MM174160	MURPH	416107!	MST339	MIRCO	16304	N1162B	EATON	415034=
MD096264	CHRY5	222025!	MM174160	MURPH	455073	MST341	MIRCO	16305	N1162C	EATON	416294!
MD101915	CHRY5	710056	MM273336	MURPH	416664!	MST352	MIRCO	16315	N128	CASE	473229
MD117643	CHRY5	227235	MMI73262	MURRA	470530!	MST356	MIRCO	16316	N12948	MID-R	471192
MD120699	CHRY5	710056	MMI73336	MURRA	416664!	MT141132	CHRY5	225010	N130664	JOHND	471413
MD120700	CHRY5	223750	MMI73377	MURRA	417316!	MT203648	CHRY5	224570	N136	BUTBN	472179
MD133317	CHRY5	3771	MMI73836	MURRA	415035	MT203648	CHRY5	45X72X12!	N137	BUTBN	417205!
MD1462	MURPH	450593!	MMI73836	MURRA	415035!	MT2040H27	JA-MI	470682	N137	NORDG	450188
MD150161	CHRY5	228009	MO54032189	LEECE	471192	MT2040H27	JAE	470682	N14357	CASE	40169S
MD15127	MURPH	473414	MO54034270	LEECE	473238!	MT2044S	CASE	471649!	N148	BUTBN	471689!
MD151463	CHRY5	222820	MO54073498	LEECE	240733	MT2226S	CASE	471354!	N151	BUTBN	471567!
MD152603	CHRY5	223010	MOO508562	FWD	415960	MTA2032S	CASE	204038	N1800303	SPICE	J1130
MD153103	CHRY5	3771	MOO508587	FWD	415449!	MTA2043S	CASE	204002	N1800303	VIC	J1130
MD153104	CHRY5	223018	MOO65943	FWD	455005!	MU149A	BR-WN	471689=	N1851	FORD	471466!

! Industrial Size/Type = Call 1-800-480-1212 for price and delivery.

Zero Duplication or Recommended		Zero Duplication or Recommended		Zero Duplication or Recommended		Zero Duplication or Recommended		
Mfr. No.	Name	Mfr. No.	Name	Mfr. No.	Name	Mfr. No.	Name	
N1851	MID-R	471466!	NB020	PAYEN	712132	NJ001	PAYEN	227045
N24243	DAVEY	410102	NB077	PAYEN	712127	NJ002	PAYEN	1177
N317	NORDG	450188	NB083	PAYEN	712128	NJ003	PAYEN	1959
N3478	DIA	6592S =	NB291	PAYEN	710180	NJ004	PAYEN	712006
N3502	CASE	473215!	NB300	PAYEN	224835	NJ004	PAYEN	BS27493
N3503	CASE	450765!	NB300	PAYEN	48X68X10!	NJ005	PAYEN	224460
N4152A	WAYNE	471763	NB304	PAYEN	224835	NJ006	PAYEN	227235
N4478	DIA	415697!	NB304	PAYEN	48X68X10!	NJ007	PAYEN	224465
N4478	DIA	455547	NB310	PAYEN	712130	NJ008	PAYEN	227235
N4517	CASE	471737 =	NB312	CEW	228010	NJ009	PAYEN	1188
N5089	CASE	471808!	NB384	PAYEN	224020	NJ011	PAYEN	224015
N5091	CASE	450984	NB610	PAYEN	472439	NJ014	PAYEN	225020
N5177	JOHND	471766!	NB625	PAYEN	712131	NJ015	PAYEN	224015
N5178D	JOHND	472311!	NB645	PAYEN	3771	NJ017	PAYEN	1176
N55008	DOMGA	321460	NB645	PAYEN	TCS45472	NJ021	PAYEN	2001
N55044	DOMGA	472341!	NB698	PAYEN	228008	NJ021	PAYEN	BS27493
N5586	CASE	240735	NB699	PAYEN	3771	NJ021N	PAYEN	712006
N5587	CASE	472311!	NB735	PAYEN	224052	NJ022	PAYEN	223831
N5696D	JOHND	471413	NCA1190A	FORD	7381S	NJ023	PAYEN	224210
N56B206	CONTI	412473!	NCA4251B	FORD	415449!	NJ025	PAYEN	224570
N6285D	JOHND	470625!	NCA4676A	FORD	473228!	NJ026	PAYEN	222510
N62C204	CONTI	474272!	NCB-4233A	FORD	450285	NJ030	PAYEN	228010
N6787D	JOHND	471737 =	NCB42332	FORD	473449	NJ033	PAYEN	1174
N7005B	FORD	480491	ND14285	GMC	417362!	NJ035	PAYEN	32X58X8!
N7172D	JOHND	473227	ND2237A	FAIRB	471762!	NJ036	PAYEN	1181
N7174D	JOHND	471795	ND4204B	WHITE	HU024A	NJ038	PAYEN	223555
N7361D	JOHND	472560N!	ND4426C	WHITE	HU110A	NJ040	PAYEN	228020
N7504	HU-WR	415138!	ND542A	FAIRB	415551	NJ041	PAYEN	1992
N7535	HU-WR	473231	NDA7048A	FORD	472492!	NJ042	PAYEN	710313
N7841	CASE	370094A	NDA77086A	FORD	473445	NJ043	PAYEN	712011
N816123	WGEAR	40401	NF013	PAYEN	221540	NJ044	PAYEN	227550
N920225	LUF	472185!	NF020	PAYEN	222240	NJ045	PAYEN	1994
NA-773	PAYEN	473244	NF029	PAYEN	223831	NJ048	PAYEN	2000
NA-933	PAYEN	712137	NF037	PAYEN	1012	NJ049	PAYEN	1977
NA-980	PAYEN	712135	NF037	PAYEN	1012N	NJ051	PAYEN	1183
NA115	PAYEN	222510	NF129	PAYEN	222510	NJ052	PAYEN	1214
NA132	PAYEN	472397!	NF4A3044B9	FAIRB	411253!	NJ052	PAYEN	1214N
NA142	PAYEN	222030	NF634	PAYEN	BS40252	NJ055	PAYEN	231004
NA151	PAYEN	223800	NJ-012	PAYEN	710383	NJ055	PAYEN	BS16192
NA174	PAYEN	472354	NJ-034	PAYEN	710359	NJ056	PAYEN	228010
NA271	PAYEN	451948	NJ-134	PAYEN	712008	NJ057	PAYEN	224840
NA296	PAYEN	473210	NJ-171	PAYEN	710291	NJ058	PAYEN	228005
NA297	PAYEN	710058	NJ-175	PAYEN	3543	NJ060	PAYEN	228480
NA300	PAYEN	473234	NJ-192	PAYEN	710397	NJ062	PAYEN	226285
NA328	PAYEN	451857	NJ-212	PAYEN	710353	NJ064	PAYEN	1959
NA329	PAYEN	473231	NJ-216	PAYEN	710352	NJ066	PAYEN	224820
NA354	PAYEN	471870!	NJ-283	PAYEN	710341	NJ067	PAYEN	225872
NA355	PAYEN	224045	NJ-298	PAYEN	710367	NJ068	PAYEN	1955
NA355	PAYEN	40X62X12!	NJ-303	PAYEN	710366	NJ069	PAYEN	1948
NA378	PAYEN	225040	NJ-383	PAYEN	710374	NJ070	PAYEN	1960
NA425	PAYEN	1960	NJ-385	PAYEN	710339	NJ071	PAYEN	1956
NA433	PAYEN	1198	NJ-388	PAYEN	710381	NJ072	PAYEN	710329
NA453	PAYEN	1174	NJ-389	PAYEN	710379	NJ073	PAYEN	227410
NA461	PAYEN	1012	NJ-390	PAYEN	226820	NJ073	PAYEN	BS40381
NA461	PAYEN	1012N	NJ-394	PAYEN	710373	NJ074	PAYEN	1952
NA473	PAYEN	472655	NJ-420	PAYEN	710371	NJ077	PAYEN	1953
NA512	PAYEN	471854!	NJ-433	PAYEN	710384	NJ078	PAYEN	1188
NA551	PAYEN	350936	NJ-472	PAYEN	710375	NJ080	PAYEN	710324
NA559	PAYEN	1174	NJ-480	PAYEN	710372	NJ081	PAYEN	224865
NA582	PAYEN	TCS45473	NJ-515	PAYEN	710382	NJ082	PAYEN	224830
NA611	PAYEN	415001	NJ-518	PAYEN	710344	NJ084	PAYEN	222430
NA727	PAYEN	228010	NJ-646	PAYEN	710351	NJ085	PAYEN	2016
NA736	PAYEN	471272	NJ-718	PAYEN	710407	NJ088	PAYEN	1196
NA748	PAYEN	415483!	NJ-772	PAYEN	710356	NJ089	PAYEN	1213N
NA759	PAYEN	472397	NJ-841	PAYEN	710406	NJ090	PAYEN	710320
NA764	PAYEN	413246	NJ-855	PAYEN	710347	NJ091	PAYEN	1994
NA965	PAYEN	3341	NJ-911	PAYEN	710107	NJ092	PAYEN	473823
NA988	PAYEN	712129	NJ-947	PAYEN	225875*	NJ094	PAYEN	231206
NAA4676A	FORD	473215!	NJ-947	PAYEN	710400	NJ095	PAYEN	65X95X8
NB-167	PAYEN	712133	NJ-948	PAYEN	710401	NJ096	PAYEN	223830
NB-469	PAYEN	712138	NJ-957	PAYEN	710405	NJ098	PAYEN	717005
NB-611	PAYEN	712134	NJ-981	PAYEN	60X85X12	NJ099	PAYEN	227020
NJ100	PAYEN	473179!	NJ101	PAYEN	473812	NJ102	PAYEN	710318
NJ101	PAYEN	473812	NJ102	PAYEN	710318	NJ104	PAYEN	1950
NJ102	PAYEN	710318	NJ106	PAYEN	224045*	NJ107	PAYEN	444116
NJ104	PAYEN	1950	NJ110	PAYEN	712003	NJ116	PAYEN	2008
NJ106	PAYEN	224045*	NJ117	PAYEN	1167	NJ118	PAYEN	222535
NJ107	PAYEN	444116	NJ119	PAYEN	222540	NJ122	PAYEN	224270
NJ110	PAYEN	712003	NJ120	PAYEN	1181	NJ125	PAYEN	710070
NJ116	PAYEN	2008	NJ122	PAYEN	224270	NJ127	PAYEN	1174
NJ117	PAYEN	1167	NJ125	PAYEN	710070	NJ128	PAYEN	1174
NJ118	PAYEN	222535	NJ127	PAYEN	1174	NJ128	PAYEN	224870
NJ119	PAYEN	222540	NJ129	PAYEN	494123	NJ130	PAYEN	225220
NJ120	PAYEN	1181	NJ130	PAYEN	225220	NJ132	PAYEN	710125
NJ122	PAYEN	224270	NJ132	PAYEN	710127	NJ133	PAYEN	710127
NJ125	PAYEN	710070	NJ136	PAYEN	710182	NJ139	PAYEN	225673
NJ127	PAYEN	1174	NJ139	PAYEN	225673	NJ140	PAYEN	226150
NJ128	PAYEN	224870	NJ140	PAYEN	226150	NJ141	PAYEN	226610
NJ129	PAYEN	494123	NJ141	PAYEN	226610	NJ142	PAYEN	710178
NJ130	PAYEN	225220	NJ142	PAYEN	710178	NJ143	PAYEN	221510
NJ132	PAYEN	710125	NJ143	PAYEN	221510	NJ144	PAYEN	222340
NJ133	PAYEN	710127	NJ144	PAYEN	222340	NJ145	PAYEN	223400
NJ136	PAYEN	710182	NJ145	PAYEN	223400	NJ146	PAYEN	226530
NJ139	PAYEN	225673	NJ146	PAYEN	226530	NJ147	PAYEN	223540
NJ140	PAYEN	226150	NJ147	PAYEN	223540	NJ148	PAYEN	2007N
NJ141	PAYEN	226610	NJ148	PAYEN	2007N	NJ149	PAYEN	223050
NJ142	PAYEN	710178	NJ149	PAYEN	223050	NJ150	PAYEN	221820
NJ143	PAYEN	221510	NJ150	PAYEN	221820	NJ151	PAYEN	223050
NJ144	PAYEN	222340	NJ151	PAYEN	223050	NJ152	PAYEN	223550
NJ145	PAYEN	223400	NJ152	PAYEN	223550	NJ153	PAYEN	225278
NJ146	PAYEN	226530	NJ153	PAYEN	225278	NJ154	PAYEN	229004
NJ147	PAYEN	223540	NJ154	PAYEN	229004	NJ155	PAYEN	5685
NJ148	PAYEN	2007N	NJ155	PAYEN	5685	NJ157	PAYEN	5685
NJ149	PAYEN	223050	NJ157	PAYEN	5685	NJ158	PAYEN	710060
NJ150	PAYEN	221820	NJ158	PAYEN	710060	NJ159	PAYEN	710282
NJ151	PAYEN	223050	NJ159	PAYEN	710282	NJ161	PAYEN	710314
NJ152	PAYEN	223550	NJ161	PAYEN	710314	NJ163	PAYEN	710260
NJ153	PAYEN	225278	NJ163	PAYEN	710260	NJ164	PAYEN	1147
NJ154	PAYEN	229004	NJ164	PAYEN	1147	NJ165	PAYEN	4901
NJ155	PAYEN	5685	NJ165	PAYEN	4901	NJ166	PAYEN	224066
NJ157	PAYEN	5685	NJ166	PAYEN	224066	NJ167	PAYEN	224068
NJ158	PAYEN	710060	NJ167	PAYEN	224068	NJ168	PAYEN	224068
NJ159	PAYEN	710282	NJ168	PAYEN	224068	NJ169	PAYEN	3459
NJ161	PAYEN	710314	NJ169	PAYEN	3459	NJ172	PAYEN	710238
NJ163	PAYEN	710260	NJ172	PAYEN	710238	NJ176	PAYEN	710438
NJ164	PAYEN	1147	NJ176	PAYEN	710438	NJ177	PAYEN	2012
NJ165	PAYEN	4901	NJ177	PAYEN	2012	NJ178	PAYEN	1932
NJ166	PAYEN	224066	NJ178	PAYEN	1932	NJ179	PAYEN	224235
NJ167	PAYEN	224068	NJ179	PAYEN	224235	NJ180	PAYEN	1205
NJ168	PAYEN	224068	NJ180	PAYEN	1205	NJ181	PAYEN	1205N
NJ169	PAYEN	3459	NJ181	PAYEN	1205N	NJ182	PAYEN	223543!
NJ172	PAYEN	710238	NJ182	PAYEN	223543!	NJ183	PAYEN	710199
NJ176	PAYEN	710438	NJ183	PAYEN	710199	NJ184	PAYEN	226018
NJ177	PAYEN	2012	NJ184	PAYEN	226018	NJ186	PAYEN	710124
NJ178	PAYEN	1932	NJ186	PAYEN	710124	NJ187	PAYEN	710122
NJ179								

Zero Duplication or Recommended		Zero Duplication or Recommended		Zero Duplication or Recommended		Zero Duplication or Recommended					
Mfr. No.	Name	Mfr. No.	Name	Mfr. No.	Name	Mfr. No.	Name				
NJ202	PAYEN	713771	NJ381	PAYEN	710332	NJ569	PAYEN	474133	NJ678	PAYEN	413818
NJ232	PAYEN	710391	NJ382	PAYEN	1979	NJ571	PAYEN	710080	NJ679	PAYEN	1174 *
NJ239	PAYEN	225040	NJ384	PAYEN	1973	NJ572	PAYEN	474121	NJ679	PAYEN	710309
NJ240	PAYEN	4359V	NJ386	PAYEN	2002	NJ574	PAYEN	1992	NJ685	PAYEN	2016
NJ242	PAYEN	3771	NJ387	PAYEN	1974	NJ575	PAYEN	1173	NJ688	PAYEN	710124
NJ242	PAYEN	TCS45483	NJ391	PAYEN	138X152X12!	NJ577	PAYEN	224015	NJ689	PAYEN	710134
NJ243	PAYEN	710345	NJ391	PAYEN	710368	NJ578	PAYEN	225005	NJ690	PAYEN	2003N!
NJ251	PAYEN	228005	NJ393	PAYEN	710088	NJ579	PAYEN	1012	NJ692	PAYEN	225650
NJ252	PAYEN	712001	NJ395	PAYEN	226530	NJ579	PAYEN	1012N	NJ693	PAYEN	1985
NJ254	PAYEN	222743	NJ396	PAYEN	223430	NJ580	PAYEN	1984	NJ694	PAYEN	225650
NJ255	PAYEN	221710	NJ396	PAYEN	710417	NJ581	PAYEN	225420	NJ695	PAYEN	710072
NJ261	PAYEN	1012	NJ399	PAYEN	1981	NJ582	PAYEN	717004	NJ696	PAYEN	225540
NJ261	PAYEN	1012N*	NJ405	PAYEN	224045*	NJ585	PAYEN	710268	NJ701	PAYEN	1948
NJ261	PAYEN	710321	NJ414	PAYEN	224045	NJ586	PAYEN	25X45X8	NJ703	PAYEN	222655
NJ263	PAYEN	1215	NJ415	PAYEN	710051	NJ587	PAYEN	1174	NJ704	PAYEN	710110
NJ263	PAYEN	1215N	NJ416	PAYEN	223230	NJ588	PAYEN	55X78X10	NJ705	PAYEN	710109
NJ264	PAYEN	1216	NJ417	PAYEN	130X150X10!	NJ592	PAYEN	223605	NJ707	PAYEN	223830
NJ264	PAYEN	1216N	NJ417	PAYEN	710380	NJ593	PAYEN	1176	NJ708	PAYEN	1180
NJ265	PAYEN	228480	NJ419	PAYEN	334111	NJ598	PAYEN	223012	NJ709	PAYEN	224210
NJ266	PAYEN	712005	NJ425	PAYEN	710278	NJ599	PAYEN	227020	NJ709	PAYEN	42X55X8!
NJ267	PAYEN	224205	NJ428	PAYEN	494123	NJ600	PAYEN	222820*	NJ722	PAYEN	710294
NJ268	PAYEN	710327	NJ429	PAYEN	225010	NJ600	PAYEN	710325	NJ726	PAYEN	1970
NJ269	PAYEN	710271	NJ436	PAYEN	223220	NJ602	PAYEN	225875	NJ731	PAYEN	4901
NJ270	PAYEN	712008	NJ437	PAYEN	710076	NJ603	PAYEN	225505	NJ733	PAYEN	1140
NJ274	PAYEN	223542	NJ438	PAYEN	221820	NJ606	PAYEN	223252	NJ733	PAYEN	223580
NJ275	PAYEN	1175	NJ439	PAYEN	1989	NJ607	PAYEN	223542	NJ734	PAYEN	1937
NJ276	PAYEN	1012	NJ441	PAYEN	712011	NJ608	PAYEN	223840	NJ735	PAYEN	710167
NJ276	PAYEN	1012N	NJ444	PAYEN	221922	NJ609	PAYEN	223840	NJ737	PAYEN	474230
NJ278	PAYEN	320564	NJ446	PAYEN	228700	NJ610	PAYEN	222510	NJ739	PAYEN	224570
NJ280	PAYEN	223340	NJ448	PAYEN	223012	NJ611	PAYEN	223014	NJ740	PAYEN	223553
NJ284	PAYEN	228410	NJ449	PAYEN	1217	NJ612	PAYEN	223608	NJ748	PAYEN	710338
NJ285	PAYEN	223420	NJ452	PAYEN	2007N	NJ612	PAYEN	36X52X7!	NJ749	PAYEN	223543!
NJ285	PAYEN	TCS45635	NJ453	PAYEN	1987	NJ615	PAYEN	223005	NJ749	PAYEN	710396
NJ286	PAYEN	223602	NJ454	PAYEN	1981	NJ617	PAYEN	320603	NJ750	PAYEN	710073
NJ287	PAYEN	228009	NJ456	PAYEN	1012	NJ618	PAYEN	145X175X15	NJ751	PAYEN	222410
NJ288	PAYEN	224020	NJ456	PAYEN	1012N	NJ619	PAYEN	70X95X13	NJ756	PAYEN	710305
NJ291	PAYEN	225035	NJ464	PAYEN	1943	NJ620	PAYEN	222743	NJ757	PAYEN	710342
NJ297	PAYEN	225875	NJ465	PAYEN	710087	NJ621	PAYEN	221720	NJ758	PAYEN	222030
NJ300	PAYEN	228020	NJ465	PAYEN	710376	NJ622	PAYEN	221540	NJ759	PAYEN	222860
NJ302	PAYEN	231004	NJ467	PAYEN	710084	NJ625	PAYEN	471950	NJ760	PAYEN	710306
NJ309	PAYEN	227610	NJ468	PAYEN	710085	NJ626	PAYEN	1949	NJ761	PAYEN	223552
NJ309	PAYEN	BS40268	NJ471	PAYEN	224020	NJ628	PAYEN	225880	NJ762	PAYEN	221510
NJ311	PAYEN	710331	NJ474	PAYEN	225230	NJ629	PAYEN	224255	NJ763	PAYEN	223400
NJ312	PAYEN	228015	NJ479	PAYEN	710277	NJ630	PAYEN	225225	NJ764	PAYEN	470460
NJ313	PAYEN	320595	NJ484	PAYEN	1990	NJ631	PAYEN	1126	NJ765	PAYEN	224052
NJ321	PAYEN	222860	NJ492	PAYEN	224510	NJ632	PAYEN	222220	NJ766	PAYEN	1216
NJ321	PAYEN	TCS45633	NJ493	PAYEN	494122	NJ634	PAYEN	3459	NJ766	PAYEN	1216N
NJ322	PAYEN	710060	NJ494	PAYEN	223550	NJ635	PAYEN	710316	NJ769	PAYEN	145X164X14!
NJ323	PAYEN	224025	NJ500	PAYEN	710440	NJ637	PAYEN	224025	NJ769	PAYEN	710369
NJ324	PAYEN	223420	NJ509	PAYEN	1170	NJ638	PAYEN	225650	NJ777	PAYEN	1147
NJ325	PAYEN	229005*	NJ519	PAYEN	1981	NJ639	PAYEN	710312	NJ778	PAYEN	222220
NJ325	PAYEN	229006	NJ519	PAYEN	223014*	NJ642	PAYEN	32X43X7!	NJ780	PAYEN	1936
NJ334	PAYEN	222330	NJ520	PAYEN	710070	NJ642	PAYEN	710370	NJ781	PAYEN	710337
NJ337	PAYEN	710333	NJ521	PAYEN	710319	NJ645	PAYEN	710187	NJ782	PAYEN	710148
NJ339	PAYEN	222340	NJ522	PAYEN	2009	NJ648	PAYEN	30X55X10	NJ783	PAYEN	473677
NJ341	PAYEN	1038	NJ525	PAYEN	68X90X10	NJ650	PAYEN	228250	NJ799	PAYEN	222835
NJ342	PAYEN	1021V	NJ526	PAYEN	494117	NJ650	PAYEN	710448	NJ807	PAYEN	220860
NJ343	PAYEN	1019	NJ527	PAYEN	224250	NJ653	PAYEN	221735	NJ808	PAYEN	710323
NJ344	PAYEN	1953	NJ528	PAYEN	1939	NJ655	PAYEN	222025!	NJ809	PAYEN	1973
NJ346	PAYEN	229010	NJ529	PAYEN	1938	NJ657	PAYEN	22X40X7!	NJ810	PAYEN	1207
NJ349	PAYEN	223235	NJ536	PAYEN	1213N	NJ658	PAYEN	225230	NJ810	PAYEN	1207N
NJ351	PAYEN	1012	NJ537	PAYEN	4990	NJ659	PAYEN	225210	NJ811	PAYEN	224235
NJ351	PAYEN	1012N	NJ539	PAYEN	225010	NJ660	PAYEN	1180	NJ812	PAYEN	1964
NJ353	PAYEN	1987	NJ541	PAYEN	2003N!	NJ661	PAYEN	710092	NJ813	PAYEN	710326
NJ354	PAYEN	716102	NJ551	PAYEN	1986	NJ662	PAYEN	1975	NJ814	PAYEN	1216
NJ358	PAYEN	1953	NJ557	PAYEN	224820	NJ663	PAYEN	3622	NJ814	PAYEN	1216N
NJ360	PAYEN	228009	NJ558	PAYEN	228010	NJ664	PAYEN	2955	NJ818	PAYEN	1994
NJ368	PAYEN	223340	NJ559	PAYEN	223235	NJ665	PAYEN	710098	NJ821	PAYEN	471076
NJ369	PAYEN	225880	NJ562	PAYEN	224820	NJ666	PAYEN	224254	NJ822	PAYEN	474161
NJ373	PAYEN	710325	NJ563	PAYEN	223605	NJ675	PAYEN	228008	NJ823	PAYEN	224255
NJ377	PAYEN	710310	NJ564	PAYEN	1960	NJ676	PAYEN	473258!	NJ824	PAYEN	225082
NJ378	PAYEN	710334	NJ568	PAYEN	710086	NJ677	PAYEN	17X27X7	NJ825	PAYEN	225230

! Industrial Size/Type * Minor Width Difference

Zero Duplication or Recommended		Zero Duplication or Recommended		Zero Duplication or Recommended		Zero Duplication or Recommended		
Mfr. No.	Name	Mfr. No.	Name	Mfr. No.	Name	Mfr. No.	Name	
NJ828	PAYEN	68X82X7!	NJ976	PAYEN	710433	NK065	PAYEN	224045*
NJ828	PAYEN	710378	NJ978	PAYEN	224660	NK067	PAYEN	224026
NJ831	PAYEN	225880	NJ982	PAYEN	1120	NK068	PAYEN	350609
NJ832	PAYEN	222030	NJ983	PAYEN	710097	NK074	PAYEN	1170
NJ836	PAYEN	225035	NJ984	PAYEN	473179!	NK075	PAYEN	223410
NJ837	PAYEN	710072	NJ985	PAYEN	1940	NK075	PAYEN	710416
NJ838	PAYEN	710069	NJ986	PAYEN	710273	NK076	PAYEN	3459
NJ843	PAYEN	473823	NJ987	PAYEN	710152	NK084	PAYEN	320583
NJ844	PAYEN	224400	NJ988	PAYEN	225450	NK094	PAYEN	710108
NJ846	PAYEN	710233	NJ989	PAYEN	222050	NK099	PAYEN	5686
NJ847	PAYEN	225230	NJ991	PAYEN	224820	NK100	PAYEN	350609
NJ848	PAYEN	710230	NJ992	PAYEN	710239	NK103	PAYEN	228700
NJ852	PAYEN	1213N	NJ993	PAYEN	320564	NK104	PAYEN	229010
NJ854	PAYEN	224462	NJ994	PAYEN	1941	NK106	PAYEN	224650
NJ858	PAYEN	710154	NJ995	PAYEN	225275	NK109	PAYEN	221730
NJ859	PAYEN	223010	NJ996	PAYEN	225410	NK110	PAYEN	223535
NJ861	PAYEN	223540	NJ997	PAYEN	1928	NK144	PAYEN	710292
NJ862	PAYEN	224560	NJ998	PAYEN	1935	NK150	PAYEN	710436
NJ863	PAYEN	224820	NJ999	PAYEN	1188	NK152	PAYEN	224650
NJ864	PAYEN	224815	NJ999	PAYEN	710322	NK167	PAYEN	710439
NJ865	PAYEN	224820	NK-010	PAYEN	710357	NK195	PAYEN	710437
NJ866	PAYEN	224872	NK-016	PAYEN	710330	NK217	PAYEN	225040
NJ867	PAYEN	4898	NK-046	PAYEN	222450	NK230	PAYEN	474133
NJ868	PAYEN	1993	NK-082	PAYEN	710350	NK232	PAYEN	224250
NJ872	PAYEN	223210	NK-083	PAYEN	710349	NK233	PAYEN	712007
NJ873	PAYEN	710056	NK-086	PAYEN	712009	NLA307	FAIRB	417343!
NJ874	PAYEN	223750	NK-098	PAYEN	225220	NLA90	FAIRB	471750!
NJ875	PAYEN	223220	NK-105	PAYEN	710354	NO-1	ATP	2025
NJ877	PAYEN	221620	NK-140	PAYEN	3771	NO-10	ATP	3771
NJ878	PAYEN	710398	NK-145	PAYEN	1974	NO-2	ATP	710051
NJ881	PAYEN	710128	NK-146	PAYEN	710226	NO-3	ATP	224010
NJ882	PAYEN	710126	NK-147	PAYEN	225005	NP4426A	WHITE	HU110A
NJ885	PAYEN	710131	NK-147	PAYEN	710226*	NSAH95X132X1222	KOYO	710085
NJ887	PAYEN	223845	NK-148	PAYEN	710231	NX32440A	JOHND	415995!
NJ889	PAYEN	1036	NK-149	PAYEN	710229	NX33341	JOHND	415437!
NJ890	PAYEN	225530	NK-153	PAYEN	710236	NX33649	JOHND	470334!
NJ891	PAYEN	223831	NK-157	PAYEN	228250	NXA543	BENDI	471504!
NJ892	PAYEN	225225	NK-157	PAYEN	710448	O01R	TIMKE	.001PKG
NJ904	PAYEN	1953	NK-158	PAYEN	710355	O02R	TIMKE	.002PKG
NJ905	PAYEN	13X22X6!	NK-172	PAYEN	712009	O03R	TIMKE	.003PKG
NJ905	PAYEN	710348	NK-173	PAYEN	228410	O04R	TIMKE	.004PKG
NJ906	PAYEN	225872	NK-175	PAYEN	710392	O05R	TIMKE	.005PKG
NJ907	PAYEN	1012	NK-196	PAYEN	710393	O06R	TIMKE	.006PKG
NJ907	PAYEN	1012N	NK-197	PAYEN	710394	O07R	TIMKE	.007PKG
NJ908	PAYEN	710094	NK005	PAYEN	710332	O08R	TIMKE	.008PKG
NJ909	PAYEN	710093	NK007	PAYEN	1012	O09R	TIMKE	.009PKG
NJ912	PAYEN	710175	NK007	PAYEN	1012N	O10R	TIMKE	.010PKG
NJ915	PAYEN	710315	NK008	PAYEN	4175	O11R	TIMKE	.011PKG
NJ916	PAYEN	1938	NK009	PAYEN	710168	O12R	TIMKE	.012PKG
NJ917	PAYEN	1938	NK011	PAYEN	1971	O132034	GMC	470059
NJ919	PAYEN	1213N	NK012	PAYEN	710193	O132034	GMC	470380!
NJ925	PAYEN	710295	NK014	PAYEN	224205	O13R	TIMKE	.013PKG
NJ928	PAYEN	710296	NK015	PAYEN	229210	O14R	TIMKE	.014PKG
NJ933	PAYEN	713771	NK022	PAYEN	710336	O15R	TIMKE	.015PKG
NJ934	PAYEN	222540	NK023	PAYEN	711181	O16R	TIMKE	.016PKG
NJ936	PAYEN	710090	NK027	PAYEN	710243	O17R	TIMKE	.017PKG
NJ939	PAYEN	710089	NK028	PAYEN	3667	O18R	TIMKE	.018PKG
NJ940	PAYEN	224045*	NK031	PAYEN	226840	O19R	TIMKE	.019PKG
NJ941	PAYEN	710167	NK032	PAYEN	224253	O2003	WILYS	472179
NJ942	PAYEN	710081	NK034	PAYEN	1932	O2004	WILYS	472179
NJ943	PAYEN	228480	NK035	PAYEN	1019	O2005	WILYS	471801!
NJ944	PAYEN	474133	NK036	PAYEN	221720	O2088	MASSE	50081
NJ945	PAYEN	222220	NK040	PAYEN	224979	O20R	TIMKE	.020PKG
NJ949	PAYEN	225875	NK042	PAYEN	222745	O21R	TIMKE	.021PKG
NJ951	PAYEN	223250	NK043	PAYEN	223801	O22R	TIMKE	.022PKG
NJ951	PAYEN	710415	NK047	PAYEN	1981	O23R	TIMKE	.023PKG
NJ952	PAYEN	222820	NK048	PAYEN	223253	O24R	TIMKE	.024PKG
NJ955	PAYEN	60X82X12!	NK049	PAYEN	223831	O2501CS	CASE	450415
NJ961	PAYEN	350572	NK050	PAYEN	224020	O25R	TIMKE	.025PKG
NJ962	PAYEN	223215	NK053	PAYEN	225673	O26R	TIMKE	.026PKG
NJ963	PAYEN	221820	NK054	PAYEN	4899	O27R	TIMKE	.027PKG
NJ964	PAYEN	221820	NK055	PAYEN	710188	O28R	TIMKE	.028PKG
						O29R	TIMKE	.029PKG
						O30R	TIMKE	.030PKG
						O31R	TIMKE	.031PKG
						O32R	TIMKE	.032PKG
						O33R	TIMKE	.033PKG
						O34R	TIMKE	.034PKG
						O35R	TIMKE	.035PKG
						O36R	TIMKE	.036PKG
						O37R	TIMKE	.037PKG
						O3869AB	CASE	476838!
						O38R	TIMKE	.038PKG
						O39R	TIMKE	.039PKG
						O40R	TIMKE	.040PKG
						O41R	TIMKE	.041PKG
						O42R	TIMKE	.042PKG
						O43R	TIMKE	.043PKG
						O44R	TIMKE	.044PKG
						O45R	TIMKE	.045PKG
						O52115	ALLCH	417247!
						O52641	ALLCH	417267
						O74147	GMC	5M497
						OC5004	LETN	416865!
						OCB521	CLSTL	480630!
						OD248	ALLCH	416654!
						OD2973U238	WHITE	340413
						OD307	ALLCH	476470
						OD5219	LETN	415371
						OD613	ALLCH	457874
						OE122	ALLCH	415995!
						OF53	BU-SP	473238
						OIT4676	MARMO	473215!
						OM1177A	FORD	473228
						OM1177A1	FORD	473228
						OM1177B	FORD	473228
						OMX10191	ALLCH	415482
						OMX10525	ALLCH	471442!
						OMX10526	ALLCH	240735
						OMX10660	ALLCH	471684!
						OMX1663	ALLCH	55028
						OMX3173	ALLCH	412943
						OMX382	ALLCH	412119!
						OMX9396	ALLCH	471466
						OP53	BU-SP	473238!
						OP54	BU-SP	415937!
						OP55	BU-SP	417351!
						OP56	BU-SP	415001!
						OS26	GR-DV	470328
						OS26	GR-DV	481213!
						OS375	GMC	330385!
						OT200A	MINNM	415021
						OTC19003	CONTI	473231!
						OTC19003	ONAN	473231!
						P-0080	C-P	415058
						P-0081	C-P	455151
						P-0082	C-P	416476!
						P-0305	C-P	415551
						P-0306	C-P	416158
						P-0307	C-P	416666
						P-0308	C-P	455280
						P-0326	C-P	471271!
						P-0410	C-P	415219
						P-328	DURA	473405
						P-629C	DURA	481443!
						P003001	EBERH	471526!
						P003002	EBERH	471466!
						P003005	EBERH	473225!
						P003008	EBERH	473232
						P003009	EBERH	472185!
						P003010	EBERH	473238
						P003012	EBERH	472572!

! Industrial Size/Type * Minor Width Difference

ALPHABETICAL

Zero Duplication or Recommended		Zero Duplication or Recommended		Zero Duplication or Recommended		Zero Duplication or Recommended		
Mfr. No.	Name	Mfr. No.	Name	Mfr. No.	Name	Mfr. No.	Name	
P003013	EBERH	471442!	P2420	TEREL	472397!	P3592	BU-SP	415138!
P003014	EBERH	471224!	P2424	TEREL	471766!	P3597	BU-SP	472924!
P003015	EBERH	471192	P243	BUC-E	415116	P3618	TEREL	471689!
P003019	EBERH	473226	P24341	JOHND	473228	P3619	TEREL	471224!
P003020	EBERH	471763	P2441	TEREL	473237!	P3655	ITM	224045
P003021	EBERH	471766!	P2494	ITM	2551	P3655	ITM	40X62X12!
P003022	EBERH	473424!	P25147	BUC-E	472157!	P3830	ITM	1094 =
P003023	EBERH	450165	P25147	BUC-E	472157	P3835	ITM	471737
P003023	EBERH	471801!	P2559	TEREL	470380!	P3842	ITM	222510
P003024	EBERH	471571	P2562	TEREL	471138!	P3842	ITM	25X35X7!
P003026	EBERH	473236!	P2598	TEREL	470565!	P39080002	LAVOI	240435
P003032	EBERH	450342	P2604	TEREL	471766!	P39080005	LAVOI	240716
P003035	EBERH	472012	P2612	TEREL	471981	P391	PORTR	415302
P003041	EBERH	471652	P2621	TEREL	472164!	P3911	ITM	470898
P003042	EBERH	472354!	P2625	ITM	470898	P392	PORTR	415995!
P003055	EBERH	481792	P2625	TEREL	473215!	P3933	ITM	2655
P003056	EBERH	471730	P26500	JOHND	471554!	P3952	ITM	470487!
P003119	EBERH	481397	P2672	TEREL	470605!	P3971	ITM	472258!
P1011	JOHND	471570!	P2674	ITM	224045	P3973	ITM	224520
P1012	JOHND	476838!	P2674	ITM	40X62X12!	P3973	ITM	45X60X10!
P1019	DEXTR	473336	P2704	TEREL	473239!	P3974	ITM	1973
P116	REULD	470774!	P2707	TEREL	J1117	P3974	ITM	48X65X10!
P127	REULD	416664!	P2749	TEREL	410102	P3987	TEREL	471833
P12710	ATHEY	471689!	P2755	TEREL	451078!	P3990	TEREL	J1103
P1362	JOHND	471529	P2803	TEREL	471835!	P3991	TEREL	J1105
P14730	FORD	471820	P2804	TEREL	473010!	P39A217	CONTI	473460
P14730	PETTI	474264	P2805	TEREL	473232!	P40057	JOHND	472439
P14731	FORD	471820	P28112	BUC-E	470086	P4152	ITM	1110
P14732	FORD	473367!	P2812	BUC-E	415072	P41721	JOHND	471270!
P14732	FORD	473367	P283	BUC-E	417604	P41721H	JOHND	471270!
P14732	PETTI	471820	P2871	ITM	224015	P4187	TEREL	415259!
P16076	C-R	5115	P2879	TEREL	471984	P4520	ITM	1097N
P1651	C-P	415645!	P2900	TEREL	471649!	P4531	ITM	1977
P1651	C-P	455104	P29928	HARN	415970 =	P4535	ITM	3771
P1652	C-P	417487	P29928	NAPCO	415970 =	P4544	ITM	1174
P1653	C-P	415991	P2BA7603	GN-TI	6283S	P4544	ITM	38X52X8.5!
P1653	C-P	455146!	P2X6976	CATER	473231 =	P4583	ITM	33X50X12!
P16685	ATHEY	471619!	P3045	TEREL	J1109	P4609	ITM	471652
P1780	C-P	55078S	P3059	TEREL	471760	P4646	ITM	1012
P179	KOEH	350364	P3091	ITM	472299	P4646	ITM	1012N
P190	BUC-E	417269!	P3130	ITM	473234!	P4747	ITM	224045
P19234	ATHEY	473467!	P3131	ITM	1089 * =	P4747	ITM	40X62X12!
P1936	C-P	417247!	P3140	ITM	472179	P4778	ITM	2669
P1941	C-P	470530!	P3141	ITM	1873	P4784	ITM	223840
P19653F	NAPCO	415970 =	P3156	ITM	473241	P4784	ITM	38X58X8!
P2003	TEREL	41075S	P3167	ITM	473016!	P4785	ITM	1177
P20254	JOHND	472234	P3168	ITM	472492!	P4788	ITM	1176
P20255	JOHND	415991	P3242	ITM	7399S!	P4789	ITM	1180
P20255	JOHND	455146!	P3306	TEREL	410102 =	P4789	ITM	41X55X7!
P20274	JOHND	412861	P3315	ITM	470334!	P4795	ITM	1959
P2044	TEREL	476470	P3337	TEREL	473442!	P4797	ITM	55X82X12!
P2045	TEREL	473224!	P3339	TEREL	470682	P4802	ITM	223542
P213587	KRSE	470605!	P3348	ITM	471870!	P4802	ITM	35X55X11!
P2171	ITM	1086 * =	P3385	TEREL	413247!	P49483	WABCO	240009
P2180	TEREL	473446	P34195	JOHND	415995!	P494832	WABCO	240414
P2183	TEREL	472397!	P3446	ITM	224040	P4949	ITM	42X55X8!
P2202	ITM	1994	P3446	ITM	40X60X10!	P4954	ITM	1213N
P2202	ITM	48X70X9!	P3462	TEREL	476470	P497	PORTR	415047
P22351	JOHND	411245!	P3485	ITM	226020	P51322	PACIF	417357
P2269	TEREL	413246	P3485	ITM	60X80X8!	P51418	PACIF	415379
P2343	TEREL	473238!	P3486	ITM	1163 =	P51898	PACIF	470898
P2360	TEREL	471272!	P3487	ITM	224045	P5339	MASSE	473214
P2374	TEREL	472179	P3487	ITM	40X62X12!	P5364Z	WITTE	472439
P2387	TEREL	471692!	P3494	ITM	340823	P6085	ITM	1180
P2388	TEREL	473215!	P3498	ITM	471224!	P6085	ITM	41X55X7!
P2410	ITM	472164!	P3507	ITM	1077 =	P6085	PETTI	450104
P2411	TEREL	473237!	P3509	ITM	473228	P6089	PETTI	55030
P24112	BUC-E	470086	P3510	ITM	1020	P6090	PETTI	415047
P2412	BUC-E	416107!	P3511	ITM	471192	P6096	PETTI	455151
P2412	BUC-E	455073	P3573	TEREL	472924!	P6112	ITM	1174
P24149	JOHND	473229	P3587	TEREL	471692!	P6112	ITM	38X52X8.5!
P2419	TEREL	415449!	P3591	BU-SP	472164!	P611810	KRSE	473238!
P611811	KRSE	J1105	P6131	BU-SP	476470	P6132	BU-SP	417298!
P6131	BU-SP	476470	P6132	BU-SP	417298!	P6133	BU-SP	416865!
P6132	BU-SP	417298!	P6133	BU-SP	416865!	P6173	ITM	1077 =
P6133	BU-SP	416865!	P6173	ITM	1077 =	P6174	ITM	472213
P6173	ITM	1077 =	P6174	ITM	472213	P6177	ITM	224235
P6174	ITM	472213	P6177	ITM	224235	P6178	ITM	224025
P6177	ITM	224235	P6178	ITM	224025	P6179	ITM	35X50X8!
P6178	ITM	224025	P6179	ITM	35X50X8!	P6179	ITM	3771
P6179	ITM	35X50X8!	P6179	ITM	3771	P6188	ITM	2642
P6179	ITM	3771	P6188	ITM	2642	P6201	ITM	224520
P6188	ITM	2642	P6201	ITM	224520	P6201	ITM	45X60X10!
P6201	ITM	224520	P6205	ITM	1994	P6205	ITM	1994
P6201	ITM	45X60X10!	P6205	ITM	1994	P6205	ITM	48X70X9!
P6205	ITM	1994	P6205	ITM	48X70X9!	P6213	ITM	223542
P6205	ITM	48X70X9!	P6213	ITM	223542	P6213	ITM	35X55X11!
P6213	ITM	223542	P6213	ITM	35X55X11!	P6247	ITM	1174
P6213	ITM	35X55X11!	P6247	ITM	1174	P6247	ITM	38X52X8.5!
P6247	ITM	1174	P6247	ITM	38X52X8.5!	P6262	BU-SP	417357
P6247	ITM	38X52X8.5!	P6262	BU-SP	417357	P6262	BU-SP	455192!
P6262	BU-SP	417357	P6262	BU-SP	455192!	P6296	BU-SP	415991
P6262	BU-SP	455192!	P6296	BU-SP	415991	P6296	BU-SP	455146!
P6296	BU-SP	415991	P6298	BU-SP	417556	P6298	BU-SP	417556
P6296	BU-SP	455146!	P6298	BU-SP	417556	P6298	ITM	224270
P6298	BU-SP	417556	P6298	ITM	224270	P6298	ITM	42X72X10!
P6298	ITM	224270	P6298	ITM	42X72X10!	P6299	BU-SP	416239!
P6298	ITM	42X72X10!	P6299	BU-SP	416239!	P629B	DURA	450129
P6299	BU-SP	416239!	P629B	DURA	450129	P629B	DURA	472826!
P6299	BU-SP	450129	P6301	ITM	1209	P6301	ITM	1209
P629B	DURA	450129	P6302	ITM	1195	P6302	ITM	1195
P629B	DURA	472826!	P6304	ITM	1012	P6304	ITM	1012
P6301	ITM	1209	P6304	ITM	1012	P6304	ITM	1012N
P6302	ITM	1195	P6304	ITM	1012N	P6304	ITM	45X62X8!
P6304	ITM	1012	P6304	ITM	45X62X8!	P6305	ITM	1208
P6304	ITM	1012N	P6305	ITM	1208	P6305	ITM	48X72X7!
P6304	ITM	45X62X8!	P6305	ITM	48X72X7!	P6305	ITM	482126
P6305	ITM	1208	P6319	ITM	482126	P6332	ITM	1192
P6305	ITM	48X72X7!	P6332	ITM	1192	P6366	ITM	224015
P6319	ITM	482126	P6366	ITM	224015	P6367	ITM	224045
P6332	ITM	1192	P6367	ITM	224045	P6367	ITM	40X62X12!
P6366	ITM	224015	P6367	ITM	40X62X12!	P6369	ITM	5778
P6367	ITM	224045	P6369	ITM	5778	P6373	ITM	1174
P6367	ITM	40X62X12!	P6373	ITM	1174	P6373	ITM	38X52X8.5!
P6369	ITM	5778	P6374	ITM	1181	P6374	ITM	1181
P6373	ITM	1174	P6374	ITM	1181	P6374	ITM	41X56X7!
P6373	ITM	38X52X8.5!	P6375	ITM	1183	P6375	ITM	1183
P6374	ITM	1181	P6376	ITM	224045	P6376	ITM	224045
P6374	ITM	41X56X7!	P6376	ITM	224045	P6376	ITM	40X62X12!
P6375	ITM	1183	P6377	ITM	1981	P6377	ITM	1981
P6376	ITM	224045	P6378	ITM	1992	P6378	ITM	1992
P6376	ITM	40X62X12!	P6387	ITM	222510	P6387	ITM	25X35X7!
P6377	ITM	1981	P6387	ITM	222510	P6428	ITM	224820
P6378	ITM	1992	P6428	ITM	224820	P6428	ITM	48X62X8!</

Zero Duplication or Recommended		Zero Duplication or Recommended		Zero Duplication or Recommended		Zero Duplication or Recommended		
Mfr. No.	Name	Mfr. No.	Name	Mfr. No.	Name	Mfr. No.	Name	
P6606	BU-SP	416892!	PC173A CLARK	417344!	PH283 WISCO	240119	PR1075 ITM	471281!
P6671	ITM	1950	PC2191 CLARK	55539=	PH284 WISCO	472572!	PR1076 ITM	415458!
P66851	VIC	2000	PD1039 WABCO	415124	PH285 WISCO	471529	PR1078 ITM	471466!
P66851	VIC	224235	PD16624 MASSE	471760	PH292 WISCO	471571	PR1079 ITM	415234!
P66851	VIC	42X58X7!	PECP1432 FORD	203013	PH299 CASE	473227	PR1082 ITM	416921!
P6800	BU-SP	415072	PECP1477 FORD	291099	PH299 COC	473227	PR1083 ITM	455151
P6881	BU-SP	415551	PEO9521 FORD	472164!	PH299 WISCO	473227	PR1086 ITM	471466!
P70305	ALLCH	472397!	PG175 ITM	223620	PH327 WISCO	471870!	PR1092 ITM	415234!
P7923	ITM	224020	PGF10435 AU-WS	473467!	PH344 WISCO	471821!	PR1093 ITM	40576S
P7923	ITM	40X55X8!	PGF2788 AU-WS	417205!	PH364 WISCO	471862	PR1094 ITM	471766!
P7950	ITM	1165	PGF2794 AU-WS	416891!	PH374 WISCO	450129	PR1095 ITM	471766!
P7951	ITM	1217	PGF2872 AU-WS	472924!	PH374 WISCO	472826!	PR1096 ITM	471766!
P7953	ITM	1969	PGF2992 AU-WS	470530!	PH378 WISCO	473213!	PR1100 ITM	473450!
P7953	ITM	48X63X9!	PGF3062 AU-WS	473463	PH382 WISCO	472397!	PR1104 ITM	471766!
P7954	ITM	1962	PGF3216 AU-WS	472636!	PH382A WISCO	472397!	PR1112 ITM	416738!
P7955	ITM	1949	PGF3216A AU-WS	472636!	PH391 WISCO	470530!	PR1118 ITM	470954!
P7959	ITM	1128	PGF4373 AU-WS	417488!	PH451 WISCO	6936S	PR1123 ITM	481537
P7962	ITM	1952	PGF4511 AU-WS	415449!	PH529 WISCO	471737	PR1127 ITM	472394
P7963	ITM	1953	PGF4619 AU-WS	470605!	PH557-A WISCO	8597S	PR1128 ITM	472394
P7963	ITM	42X60X7!	PGF4921 AU-WS	415960	PK524 AM BO	471532	PR1130 ITM	470954!
P7967	ITM	1960	PGF4922 AU-WS	472409	PK524U AM BO	471532	PR1132 ITM	470954!
P7968	ITM	1956	PGF5240 AU-WS	5971	PL379 CONTI	471224!	PR1134 ITM	470954!
P7972	ITM	1974	PGF5240A AU-WS	5971	PM200322 JOHND	200322	PR1137 ITM	5801=
P7976	ITM	473238!	PGF5240B AU-WS	5971	PM200886 JOHND	200886	PR1138 ITM	472439
P7979	ITM	1012	PGF6023 AU-WS	472179	PM203029 JOHND	203029	PR1139 ITM	470954
P7979	ITM	1012N	PGF6024 AU-WS	415449!	PM204005 JOHND	204005	PR1140 ITM	470954!
P7985	ITM	1012	PGF6024A AU-WS	415449!	PM204013 JOHND	204013	PR1142 ITM	470954!
P7985	ITM	1012N	PGF6050 AU-WS	415036	PM204035 JOHND	204035	PR1143 ITM	470954!
P7985	ITM	45X62X8!	PGF8089 AU-WS	412040	PM204500 JOHND	204500!	PR1144 ITM	473179!
P7987	ITM	1996	PGF8447 AU-WS	416921!	PM204506 JOHND	204506!	PR1145 ITM	45637S
P7989	ITM	482126	PGF8486 AU-WS	471554!	PM204507 JOHND	204507!	PR1146 ITM	470954!
P7M9697	CATER	473447	PGF8611 AU-WS	450133	PM240319 JOHND	240319	PR1148 ITM	470954!
P80179KE	PARK	471271!	PGF8612 AU-WS	470605!	PM2893 F-R-H	471341!	PR1150 ITM	470601
P96184	KRSE	415458!	PGF8764 AU-WS	472924!	PM3341 TW-DI	470530=	PR1152 ITM	5976S
P970	PORTR	476470	PGF8809 AU-WS	412040	PM415259 JOHND	415259!	PR1153 ITM	340850
P971	PORTR	415995!	PGF8809A B-L-H	412040	PMB7657A FORD	7300S	PR1154 ITM	254287!
P975	PORTR	415138!	PGF8839 AU-WS	473440!	PMB7657A1 FORD	7300S	PR1155 ITM	254287!
P977	PORTR	415196!	PGF8839A AU-WS	473440!	PMB7657A3 FORD	7300S	PR1156 ITM	254287!
PA1099	IDECO	417603!	PGF8840 AU-WS	471141!	PMB7657B3 FORD	7300S	PR1157 ITM	473467
PA1099	INTDE	417603!	PGF8840A AU-WS	471141!	PMRD2000 JOHND	RD2000	PR1158 ITM	473440!
PA117	ALLCH	471341!	PGF8857 AU-WS	473224!	PO1 ATP	471827	PR1163 ITM	413469!
PA1188	INTDE	416666	PGF8857A AU-WS	473224!	PO2 ATP	470898!	PR1165 ITM	480821!
PA1189	IDECO	455480!	PGF8857A CLARK	473224!	PO5653M VIC	415379	PR1166 ITM	342517
PA1189	INTDE	455480!	PGF8861 AU-WS	450472!	PO9635M VIC	417621!	PR1171 ITM	411253!
PA1229	IDECO	415138!	PGF8861A AU-WS	450472!	PO9781M DANA	415995!	PR1173 ITM	473416
PA1229	INTDE	415138!	PGF8940 AU-WS	330385	PP1296 ALTFO	40389S	PR1174 ITM	473462
PA1675	INTDE	415116	PGF8941 AU-WS	340771	PP347 ALTFO	415449!	PR1175 ITM	5778
PA2108	MINNM	470625!	PGF8946 AU-WS	472311!	PP393 ALTFO	415995!	PR1182 ITM	471316
PA2467	INTDE	415066	PGF8998 AU-WS	472354!	PP624 ALTFO	476470	PR1183 ITM	5756
PA303	ATHEY	450054	PGF9124 AU-WS	472636!	PP650 ALTFO	415072	PR1185 ITM	410190
PA3709	AM CH	450040	PGF9192 AU-WS	417487	PR1004 ITM	5751	PR1189 ITM	470898
PA3710	AM CH	473214!	PGF9736 AU-WS	473228	PR1007 ITM	350364	PR1192 ITM	472452
PA42218	ROCKW	412871!	PGF9736A AU-WS	473228	PR1008 ITM	240385	PR1194 ITM	471267
PA489	IDECO	415035	PH0155 RACIN	450188	PR1011 ITM	330385!	PR1195 ITM	471267!
PA489	IDECO	415035!	PH15 CALSO	240408	PR1018 ITM	330385!	PR1196 ITM	7600S
PA767	IDECO	415725!	PH200B WISCO	40337S	PR1023 ITM	455134!	PR1199 ITM	5836
PA861	MINNM	473228	PH234A STN-S	471554!	PR1026 ITM	415041	PR1201 ITM	470354
PA988	IDECO	415128	PH234A WISCO	471554!	PR1029 HU-WR	412943	PR1202 ITM	471267!
PA988	INTDE	415128	PH264 WISCO	471224!	PR1030 ITM	370036A	PR1204 ITM	471267!
PB0167	WABCO	471760	PH264A WISCO	471224!	PR1031 ITM	473229!	PR1206 ITM	340787
PB1039	WABCO	415124	PH265 WISCO	470712!	PR1037 ITM	455336	PR1208 ITM	40369S
PB3096	WABCO	710028	PH265A WISCO	470712!	PR1039 ITM	350156	PR1210 ITM	40286
PB425	HART	480210!	PH269 CASE	472179	PR1039 ITM	473096	PR1214 ITM	472311!
PB426	HART	451583!	PH269 WISCO	472179	PR1044 ITM	330699	PR1219 ITM	5790=
PB4399	WABCO	417608	PH270A STN-S	471264	PR1045 ITM	353132	PR1220 ITM	471224!
PB4665	CATER	455310	PH270A WISCO	471264	PR1049 ITM	7107A=	PR1221 ITM	472179
PB4665	WABCO	455310	PH272A WISCO	471689!	PR1052 ITM	471442!	PR1223 ITM	471564
PBB77497B	FORD	424	PH278 CASE	417316!	PR1057 ITM	351487	PR1226 ITM	474253
PBN7048A	FORD	415988	PH278 WISCO	417316!	PR1065 ITM	474277	PR1227 ITM	471570!
PC1571	CLARK	416167!	PH280 STN-S	473426	PR1067 ITM	471526!	PR1234 ITM	471570!
PC173	CLARK	416706	PH280 WISCO	473426	PR1070 ITM	471526!	PR1235 ITM	410737!
PC1731	CLARK	416167!	PH283 STN-S	240119	PR1072 ITM	471526!	PR1237 ITM	473473

! Industrial Size/Type = Call 1-800-480-1212 for price and delivery.

ALPHABETICAL

Zero Duplication or Recommended		Zero Duplication or Recommended		Zero Duplication or Recommended		Zero Duplication or Recommended		
Mfr. No.	Name	Mfr. No.	Name	Mfr. No.	Name	Mfr. No.	Name	
PR1238	ITM	415449!	PR1380	ITM	417172	PR1547	ITM	481163!
PR1239	ITM	472409!	PR1381	ITM	471689!	PR1548	ITM	481163!
PR1240	ITM	471224!	PR1383	ITM	473459	PR1549	ITM	416476!
PR1242	ITM	411330	PR1384	ITM	471689!	PR1551	ITM	471413!
PR1245	ITM	471224!	PR1385	ITM	450467	PR1554	ITM	6358
PR1253	ITM	5924	PR1387	ITM	471689!	PR1559	ITM	471192
PR1255	ITM	410737!	PR1390	ITM	471689!	PR1561	ITM	416444
PR1257	ITM	471224!	PR1391	ITM	472016!	PR1562	ITM	417491
PR1258	ITM	410308!	PR1392	ITM	471413	PR1570	ITM	1077 =
PR1258	ITM	473468	PR1395	ITM	473203	PR1571	ITM	471619!
PR1259	ITM	410987!	PR1396	ITM	471619!	PR1572	ITM	7600S
PR1261	ITM	340815	PR1397	ITM	471413	PR1576	ITM	471785!
PR1263	ITM	417481	PR1400	ITM	417267	PR1577	ITM	471785!
PR1268	ITM	472287!	PR1402	ITM	472636!	PR1580	ITM	350942
PR1269	ITM	471270!	PR1404	ITM	450593!	PR1582	ITM	471787!
PR1271	ITM	240151	PR1405	ITM	417621!	PR1583	ITM	412871!
PR1273	ITM	472560N!	PR1406	ITM	415437	PR1584	ITM	473463
PR1275	ITM	473234!	PR1408	ITM	471141!	PR1585	ITM	415085!
PR1278	ITM	473215!	PR1410	ITM	416282	PR1585	ITM	456648
PR1281	ITM	481864	PR1413	ITM	416125!	PR1589	ITM	471787!
PR1284	ITM	450065	PR1419	ITM	476838!	PR1590	ITM	417316!
PR1293	ITM	471647	PR1420	ITM	476838!	PR1592	ITM	450122 =
PR1297	ITM	472560N!	PR1421	ITM	412119!	PR1593	ITM	484054
PR1298	ITM	471413!	PR1422	ITM	415060	PR1594	ITM	415697!
PR1300	ITM	471651	PR1422	ITM	455060	PR1594	ITM	455547
PR1302	ITM	43071S	PR1423	ITM	473425	PR1595	ITM	484054
PR1303	ITM	471651	PR1426	ITM	42763	PR1596	ITM	6760S
PR1305	ITM	471827!	PR1428	ITM	323138!	PR1599	ITM	470774!
PR1306	ITM	471652	PR1433	ITM	418028	PR1603	ITM	3395!
PR1308	ITM	471820	PR1433	ITM	455137!	PR1603	ITM	352444
PR1311	ITM	471643!	PR1435	ITM	471103!	PR1606	ITM	7537S
PR1312	ITM	471643!	PR1451	ITM	474264	PR1611	ITM	474279N
PR1314	ITM	471643!	PR1453	ITM	471735	PR1612	ITM	471795
PR1316	ITM	481644	PR1457	ITM	470950!	PR1613	ITM	416297
PR1318	ITM	471646!	PR1457	ITM	6241S	PR1614	ITM	471795
PR1319	ITM	471646!	PR1458	ITM	470712!	PR1615	ITM	471795
PR1320	ITM	474264	PR1459	ITM	470712!	PR1617	ITM	450666
PR1321	ITM	6324S =	PR1460	ITM	470712!	PR1618	ITM	473211!
PR1326	ITM	472705!	PR1461	ITM	471466!	PR1620	ITM	410308
PR1330	ITM	471649!	PR1469	ITM	471737	PR1624	ITM	6781
PR1331	ITM	471649!	PR1473	ITM	55687 =	PR1625	ITM	471192
PR1332	ITM	473215!	PR1474	ITM	472354!	PR1626	ITM	471192
PR1333	ITM	473211!	PR1475	ITM	472354!	PR1630	ITM	473224!
PR1334	ITM	470625!	PR1476	ITM	412119!	PR1643	ITM	472070
PR1337	ITM	471787!	PR1482	ITM	450776!	PR1644	ITM	44052
PR1339	ITM	471652	PR1493	ITM	410190	PR1651	ITM	474255
PR1340	ITM	6626S	PR1495	ITM	455024	PR1652	ITM	471801!
PR1343	ITM	415995!	PR1501	ITM	471760	PR1653	ITM	471801!
PR1343	ITM	415995!	PR1503	ITM	416865!	PR1661	ITM	50468
PR1344	ITM	50491 =	PR1504	ITM	471762!	PR1666	ITM	343098
PR1346	ITM	417316!	PR1506	ITM	471763	PR1667	ITM	470625!
PR1349	ITM	8059S	PR1508	ITM	414268!	PR1669	ITM	470625!
PR1353	ITM	415001!	PR1511	ITM	471765!	PR1679	ITM	450400
PR1356	ITM	474260	PR1512	ITM	471765!	PR1681	ITM	471808!
PR1358	ITM	470328	PR1513	ITM	471765!	PR1690	ITM	7044NA
PR1358	ITM	481213!	PR1514	ITM	40769S	PR1696	ITM	482126
PR1361	ITM	474278	PR1515	ITM	417485	PR1701	ITM	42081S!
PR1361	ITM	50356 =	PR1518	ITM	410694!	PR1703	ITM	473215!
PR1363	ITM	473367	PR1519	ITM	240356	PR1704	ITM	473215!
PR1365	ITM	471684!	PR1522	ITM	6635S	PR1707	ITM	473231!
PR1366	ITM	471337	PR1524	ITM	415025	PR1710	ITM	473231!
PR1367	ITM	472951	PR1525	ITM	471272!	PR1713	ITM	473237!
PR1367	ITM	474252	PR1527	ITM	5403	PR1714	ITM	473237!
PR1368	ITM	470898	PR1528	ITM	5401	PR1717	ITM	473237!
PR1369	ITM	472951	PR1529	ITM	471835!	PR1718	ITM	473231!
PR1369	ITM	474252	PR1530	ITM	6362 =	PR1721	ITM	473237!
PR1372	ITM	6064	PR1532	ITM	417172	PR1725	ITM	471818
PR1374	ITM	415960	PR1533	ITM	474253	PR1729	ITM	471821!
PR1375	ITM	471688	PR1538	ITM	472258!	PR1731	ITM	473445
PR1376	ITM	471689!	PR1540	ITM	471192	PR1732	ITM	471504
PR1378	ITM	471831!	PR1545	ITM	474276!	PR1736	ITM	451817
PR1379	ITM	472636!	PR1546	ITM	473313!	PR1751	ITM	471570!
PR1758	ITM	473214!				PR1758	ITM	473214!
PR1760	ITM	473226				PR1760	ITM	473226
PR1764	ITM	473228!				PR1764	ITM	473228!
PR1772	ITM	473229!				PR1772	ITM	473229!
PR1773	ITM	473229!				PR1773	ITM	473229!
PR1779	ITM	473229!				PR1779	ITM	473229!
PR1781	ITM	472164!				PR1781	ITM	472164!
PR1782	ITM	472164!				PR1782	ITM	472164!
PR1783	ITM	472164!				PR1783	ITM	472164!
PR1788	ITM	472164!				PR1788	ITM	472164!
PR1790	ITM	473454				PR1790	ITM	473454
PR1792	ITM	471195!				PR1792	ITM	471195!
PR1810	ITM	470682				PR1810	ITM	470682
PR1817	ITM	472185!				PR1817	ITM	472185!
PR1823	ITM	472439				PR1823	ITM	472439
PR1824	ITM	471424!				PR1824	ITM	471424!
PR1834	ITM	471868				PR1834	ITM	471868
PR1836	ITM	471870!				PR1836	ITM	471870!
PR1840	ITM	450765!				PR1840	ITM	450765!
PR1841	ITM	323119				PR1841	ITM	323119
PR1843	ITM	323119				PR1843	ITM	323119
PR1846	ITM	474272				PR1846	ITM	474272
PR1847	ITM	473440!				PR1847	ITM	473440!
PR1856	ITM	472179				PR1856	ITM	472179
PR1857	ITM	472572!				PR1857	ITM	472572!
PR1860	ITM	473241				PR1860	ITM	473241
PR1861	ITM	472492!				PR1861	ITM	472492!
PR1862	ITM	472492!				PR1862	ITM	472492!
PR1863	ITM	472492!				PR1863	ITM	472492!
PR1865	ITM	331107N				PR1865	ITM	331107N
PR1868	ITM	473204				PR1868	ITM	473204
PR1879	ITM	473444!				PR1879	ITM	473444!
PR1883	ITM	473238!				PR1883	ITM	473238!
PR1884	ITM	473238!				PR1884	ITM	473238!
PR1885	ITM	472144!				PR1885	ITM	472144!
PR1886	ITM	472924!				PR1886	ITM	472924!
PR1887	ITM	472924!				PR1887	ITM	472924!
PR1888	ITM	451948				PR1888	ITM	451948
PR1899	ITM	410989				PR1899	ITM	410989
PR1899	ITM	470989				PR1899	ITM	470989
PR1902	ITM	471984				PR1902	ITM	471984
PR1903	ITM	471984				PR1903	ITM	471984
PR1906	ITM	7044NA				PR1906	ITM	7044NA
PR1907	ITM	473239!				PR1907	ITM	473239!
PR1908	ITM	473239!				PR1908	ITM	473239!
PR1911	ITM	472394				PR1911	ITM	472394
PR1912	ITM	472394				PR1912	ITM	472394
PR1914	ITM	472394				PR1914	ITM	472394
PR1915	ITM	410308!				PR1915	ITM	410308!
PR1915	ITM	473468				PR1915	ITM	473468
PR1916	ITM	472397!				PR1916	ITM	472397!
PR1917	ITM	472397!				PR1917	ITM	472397!
PR1918	ITM	472492!				PR1918	ITM	472492!
PR1921	ITM	330385!				PR1921	ITM	330385!
PR1924	ITM	473467				PR1924	ITM	473467
PR1927	ITM	471272!				PR1927	ITM	471272!
PR1928	ITM	471272!				PR1928	ITM	471272!
PR1929	ITM	470605!				PR1929	ITM	470605!
PR1930	ITM	472397!				PR1930	ITM	472397!
PR1931	ITM	471272!				PR1931	ITM	471272!
PR1932	ITM	471272!				PR1932	ITM	471272!
PR1933	ITM	471272!				PR1933	ITM	471272!
PR1934	ITM	473241				PR1934	ITM	473241
PR1937	ITM	470764!				PR1937	ITM	470764!
PR1937	ITM	50764				PR1937	ITM	50764
PR1938	ITM	471341!				PR1938	ITM	471341!
PR1939	ITM	470764!				PR1939	ITM	470764!
PR1939	ITM	50764				PR1939	ITM	50764
PR1941	ITM	40555				PR1941	ITM	40555
PR1941	ITM	40555S!				PR1941	ITM	40555S!
PR1945	ITM	410308!				PR1945	ITM	410308!
PR1945	ITM	473468				PR1945	ITM	473468

! Industrial Size/Type = Call 1-800-480-1212 for price and delivery.

Zero Duplication or Recommended		Zero Duplication or Recommended		Zero Duplication or Recommended		Zero Duplication or Recommended		
Mfr. No.	Name	Mfr. No.	Name	Mfr. No.	Name	Mfr. No.	Name	
PR1951	ITM	470565!	PR2099	ITM	415449!	PR2257	ITM	417433!
PR1952	ITM	471138!	PR2100	ITM	411376!	PR2258	ITM	417355!
PR1953	ITM	472150	PR2101	ITM	417344!	PR2259	ITM	5405
PR1958	ITM	43290S	PR2102	ITM	417967!	PR2262	ITM	5408
PR1965	ITM	482267	PR2105	ITM	471564	PR2263	ITM	417343!
PR1968	ITM	226020	PR2106	ITM	471766!	PR2264	ITM	417316!
PR1968	ITM	60X80X8!	PR2107	ITM	471567!	PR2267	ITM	417316!
PR1978	ITM	473464	PR2108	ITM	413246	PR2270	ITM	455005
PR1981	ITM	330385!	PR2111	ITM	412473!	PR2272	ITM	474264
PR1985	ITM	471887	PR2112	ITM	471763	PR2274	ITM	471862
PR1986	ITM	472029	PR2114	ITM	415449!	PR2276	ITM	417349
PR1988	ITM	473243	PR2115	ITM	416921!	PR2277	ITM	417349!
PR1989	ITM	473245!	PR2116	ITM	415449!	PR2278	ITM	417349!
PR1990	ITM	472636!	PR2121	ITM	472492!	PR2279	ITM	417349
PR1993	ITM	472636!	PR2122	ITM	471271!	PR2280	ITM	417349!
PR1998	ITM	471271!	PR2127	ITM	470898	PR2283	ITM	6532S =
PR1999	ITM	471271!	PR2128	ITM	416404!	PR2286	ITM	455280
PR2002	ITM	415150!	PR2131	ITM	415302	PR2287	ITM	415371
PR2003	ITM	417343!	PR2132	ITM	416891!	PR2288	ITM	456618
PR2005	ITM	416666	PR2134	ITM	417549!	PR2289	ITM	6754S =
PR2006	ITM	415645!	PR2135	ITM	415483	PR2290	ITM	415007
PR2007	ITM	417196!	PR2136	ITM	415483	PR2293	ITM	417316!
PR2008	ITM	456105	PR2137	ITM	415449!	PR2294	ITM	415960
PR2009	ITM	473423	PR2139	ITM	455434	PR2296	ITM	415960!
PR2010	ITM	471553!	PR2140	ITM	416664!	PR2302	ITM	471570!
PR2013	ITM	51032S	PR2143	ITM	416664!	PR2310	ITM	415254
PR2021	ITM	5487	PR2145	ITM	240731	PR2312	ITM	473203
PR2029	ITM	473426	PR2147	ITM	8421S	PR2317	ITM	455655!
PR2030	ITM	254270	PR2148	ITM	240414	PR2320	ITM	415001!
PR2032	ITM	412943	PR2150	ITM	473237!	PR2325	ITM	471141!
PR2033	ITM	8059S	PR2151	ITM	340210	PR2326	ITM	416921!
PR2035	ITM	471750!	PR2156	ITM	451182	PR2328	ITM	480630!
PR2036	ITM	412119!	PR2157	ITM	473214!	PR2330	ITM	472164!
PR2037	ITM	417484!	PR2161	ITM	416024	PR2331	ITM	415995!
PR2038	ITM	5481	PR2165	ITM	412861	PR2331	ITM	415995!
PR2042	ITM	410694!	PR2169	ITM	471689!	PR2332	ITM	415995!
PR2043	ITM	472018	PR2170	ITM	417073	PR2332	ITM	415995!
PR2044	ITM	340835	PR2174	ITM	240151	PR2334	ITM	415995!
PR2045	ITM	471801!	PR2176	ITM	415001!	PR2336	ITM	416404!
PR2050	ITM	417507	PR2183	ITM	6863S!	PR2338	ITM	416404!
PR2050	ITM	417507!	PR2184	ITM	5458	PR2339	ITM	417433!
PR2052	ITM	410496!	PR2189	ITM	472409!	PR2340	ITM	417433!
PR2053	ITM	410496!	PR2190	ITM	472492!	PR2341	ITM	417433!
PR2054	ITM	410496!	PR2194	ITM	471076	PR2352	ITM	473243
PR2055	ITM	471529	PR2197	ITM	415303!	PR2353	ITM	415138!
PR2058	ITM	410102	PR2198	ITM	227040	PR2355	ITM	417621!
PR2059	ITM	470380!	PR2198	ITM	70X90X10!	PR2356	ITM	417621
PR2060	ITM	1167	PR2200	ITM	3392	PR2360	ITM	343105
PR2061	ITM	1167	PR2202	ITM	3392	PR2360	ITM	7399S!
PR2063	ITM	472164!	PR2210	ITM	451143	PR2361	ITM	473010!
PR2064	ITM	416154!	PR2211	ITM	340787	PR2363	ITM	415442!
PR2065	ITM	471765!	PR2217	ITM	8168 =	PR2363	ITM	55442
PR2066	ITM	471868	PR2219	ITM	416273	PR2365	ITM	417487!
PR2067	ITM	413247!	PR2223	ITM	6241S	PR2365	ITM	417487
PR2069	ITM	473231!	PR2224	ITM	8133S	PR2367	ITM	417487!
PR2070	ITM	450133	PR2225	ITM	415988	PR2367	ITM	417487
PR2073	ITM	413247!	PR2226	ITM	5406	PR2368	ITM	450143
PR2075	ITM	471281!	PR2227	ITM	343105	PR2369	ITM	417487!
PR2076	ITM	413247!	PR2227	ITM	7399S!	PR2369	ITM	417487
PR2077	ITM	413247!	PR2229	ITM	340210	PR2370	ITM	471554!
PR2079	ITM	413478	PR2230	ITM	415458!	PR2371	ITM	416288!
PR2080	ITM	450400	PR2231	ITM	7392S =	PR2373	ITM	476470!
PR2081	ITM	472560N!	PR2238	ITM	200851	PR2374	ITM	476470
PR2082	ITM	470605!	PR2241	ITM	413478	PR2375	ITM	476470
PR2086	ITM	413248	PR2243	ITM	470605!	PR2376	ITM	476470
PR2087	ITM	470334!	PR2244	ITM	470605!	PR2377	ITM	471192
PR2088	ITM	450104	PR2245	ITM	2503	PR2381	ITM	416292
PR2092	ITM	415984!	PR2245	ITM	2503N	PR2384	ITM	484054
PR2093	ITM	417082	PR2246	ITM	415449!	PR2386	ITM	476470
PR2095	ITM	473466	PR2247	ITM	411376!	PR2387	ITM	415082
PR2096	ITM	412473!	PR2249	ITM	473235!	PR2390	ITM	476838!
PR2097	ITM	471733	PR2253	ITM	470954!	PR2396	ITM	415043
PR2398	ITM	50149	PR2399	ITM	415995!	PR2401	ITM	415995!
PR2399	ITM	415995!	PR2399	ITM	415995!	PR2401	ITM	415995!
PR2399	ITM	415995!	PR2401	ITM	472311!	PR2402	ITM	1037
PR2401	ITM	472311!	PR2401	ITM	417171!	PR2404	ITM	417171!
PR2402	ITM	1037	PR2407	ITM	417490	PR2407	ITM	417490
PR2404	ITM	417171!	PR2409	ITM	417491	PR2410	ITM	472164!
PR2407	ITM	417490	PR2410	ITM	472164!	PR2411	ITM	5976S
PR2409	ITM	417491	PR2411	ITM	5976S	PR2414	ITM	416624!
PR2410	ITM	472164!	PR2414	ITM	416624!	PR2415	ITM	416920!
PR2411	ITM	5976S	PR2415	ITM	416920!	PR2416	ITM	416624!
PR2414	ITM	416624!	PR2416	ITM	416624!	PR2419	ITM	417356!
PR2415	ITM	416920!	PR2419	ITM	417356!	PR2421	ITM	55329 =
PR2416	ITM	416624!	PR2421	ITM	55329 =	PR2423	ITM	416624!
PR2419	ITM	417356!	PR2423	ITM	416624!	PR2425	ITM	416624!
PR2421	ITM	55329 =	PR2425	ITM	416624!	PR2427	ITM	456744N
PR2423	ITM	416624!	PR2427	ITM	456744N	PR2431	ITM	415138!
PR2425	ITM	416624!	PR2431	ITM	415138!	PR2436	ITM	471413!
PR2427	ITM	456744N	PR2436	ITM	471413!	PR2438	ITM	351487
PR2431	ITM	415138!	PR2438	ITM	351487	PR2442	ITM	415088
PR2436	ITM	471413!	PR2442	ITM	415088	PR2443	ITM	415088
PR2438	ITM	351487	PR2443	ITM	415088	PR2444	ITM	415088
PR2442	ITM	415088	PR2444	ITM	415088	PR2445	ITM	455356
PR2443	ITM	415088	PR2445	ITM	455356	PR2447	ITM	415088
PR2444	ITM	415088	PR2447	ITM	415088	PR2447	ITM	415088
PR2445	ITM	455356	PR2449	ITM	415088!	PR2449	ITM	415088
PR2447	ITM	415088	PR2450	ITM	415088	PR2450	ITM	415088
PR2449	ITM	415088!	PR2452	ITM	5865	PR2452	ITM	5865
PR2450	ITM	415088	PR2456	ITM	455310	PR2456	ITM	455310
PR2452	ITM	5865	PR2457	ITM	416229	PR2457	ITM	416229
PR2456	ITM	455310	PR2461	ITM	415072	PR2461	ITM	415072
PR2457	ITM	416229	PR2462	ITM	417191	PR2462	ITM	417191
PR2461	ITM	415072	PR2463	ITM	415437	PR2463	ITM	415437
PR2462	ITM	417191	PR2463	ITM	415437!	PR2463	ITM	415437!
PR2463	ITM	415437	PR2467	ITM	417542	PR2467	ITM	417542
PR2463	ITM	415437!	PR2468	ITM	417492	PR2468	ITM	417492
PR2467	ITM	417542	PR2469	ITM	415991!	PR2469	ITM	415991!
PR2468	ITM	417492	PR2469	ITM	415991	PR2471	ITM	471271!
PR2469	ITM	415991!	PR2471	ITM	471271!	PR2474	ITM	55246 =
PR2469	ITM	415991	PR2474	ITM	55246 =	PR2477	ITM	415983N!
PR2471	ITM	471271!	PR2477	ITM	415983N!	PR2479	ITM	415303!
PR2474	ITM	55246 =	PR2479	ITM	415303!	PR2481	ITM	416404!
PR2477	ITM	415983N!	PR2481	ITM	416404!	PR2482	ITM	416154!
PR2479	ITM	415303!	PR2482	ITM	416154!	PR2483	ITM	415088
PR2481	ITM	416404!	PR2483	ITM	415088	PR2484	ITM	473228!
PR2482	ITM	416154!	PR2484	ITM	473228!	PR2485	ITM	417354!
PR2483	ITM	415088	PR2485	ITM	417354!	PR2486	ITM	7840S
PR2484	ITM	473228!	PR2486	ITM	7840S	PR2487	ITM	417354!
PR2485	ITM	417354!	PR2487	ITM	417354!	PR2488	ITM	415483
PR2486	ITM	7840S	PR2488	ITM	415483	PR2489	ITM	455434
PR2487	ITM							

Zero Duplication or Recommended		Zero Duplication or Recommended		Zero Duplication or Recommended		Zero Duplication or Recommended		
Mfr. No.	Name	Industrial	Mfr. No.	Name	Industrial	Mfr. No.	Name	
PR2524	ITM	415379	PR2657	ITM	472157	PR2781	ITM	473475
PR2526	ITM	471442!	PR2664	ITM	470380!	PR2782	ITM	416149
PR2527	ITM	450482	PR2667	ITM	6985	PR2784	ITM	417356!
PR2530	ITM	416339	PR2668	ITM	471984	PR2785	ITM	473236!
PR2531	ITM	474281!	PR2670	ITM	473227!	PR2786	ITM	416149
PR2535	ITM	457294	PR2673	ITM	473464	PR2787	ITM	472258!
PR2536	ITM	473213!	PR2675	ITM	415958	PR2788	ITM	470954!
PR2537	ITM	457294	PR2677	ITM	323126	PR2791	ITM	416154!
PR2538	ITM	457294	PR2677	ITM	474278	PR2792	ITM	416154!
PR2540	ITM	450400	PR2678	ITM	415425	PR2793	ITM	416154!
PR2541	ITM	473238!	PR2680	ITM	415035	PR2797	ITM	416154!
PR2542	ITM	471267!	PR2682	ITM	481443!	PR2798	ITM	417534
PR2543	ITM	455032!	PR2688	ITM	471138!	PR2800	ITM	471766!
PR2545	ITM	455820	PR2689	ITM	417514	PR2801	ITM	416158
PR2547	ITM	417494	PR2690	ITM	415036	PR2802	ITM	472319
PR2548	ITM	415001!	PR2691	ITM	417247!	PR2803	ITM	6815
PR2549	ITM	417205!	PR2692	ITM	415036	PR2804	ITM	416158
PR2558	ITM	455008	PR2694	ITM	455037	PR2806	ITM	350936
PR2560	ITM	415021	PR2696	ITM	471870!	PR2807	ITM	451857
PR2562	ITM	415035	PR2697	ITM	471766!	PR2808	ITM	471504
PR2563	ITM	415027	PR2698	ITM	417513	PR2809	ITM	470380!
PR2564	ITM	415035	PR2699	ITM	416891!	PR2809	ITM	472189A!
PR2570	ITM	416339	PR2700	ITM	417554!	PR2810	ITM	473231!
PR2572	ITM	416339	PR2701	ITM	473464	PR2811	ITM	240698
PR2574	ITM	417344!	PR2702	ITM	455197N	PR2812	ITM	6547
PR2575	ITM	415284	PR2703	ITM	473010!	PR2813	ITM	410987!
PR2577	ITM	416339	PR2704	ITM	416380!	PR2814	ITM	451078!
PR2577	ITM	455031!	PR2705	ITM	470088	PR2815	ITM	200642
PR2578	ITM	417316	PR2706	ITM	455079!	PR2816	ITM	410737!
PR2579	ITM	416339	PR2707	ITM	416380!	PR2820	ITM	416167!
PR2580	ITM	415187	PR2708	ITM	415196!	PR2821	ITM	416167!
PR2581	ITM	415035	PR2709	ITM	471649!	PR2823	ITM	474253
PR2582	ITM	416345!	PR2710	ITM	473214!	PR2824	ITM	417539!
PR2585	ITM	417495	PR2711	ITM	415991	PR2825	ITM	353131
PR2586	ITM	415035	PR2711	ITM	415991!	PR2825	ITM	471231!
PR2587	ITM	471795	PR2712	ITM	415991	PR2826	ITM	412920!
PR2588	ITM	415035	PR2712	ITM	415991!	PR2827	ITM	415725!
PR2589	ITM	471649!	PR2713	ITM	473214!	PR2828	ITM	415449!
PR2590	ITM	470682	PR2715	ITM	416888!	PR2829	ITM	473240!
PR2593	ITM	415035	PR2717	ITM	417344!	PR2830	ITM	471231!
PR2595	ITM	415035	PR2719	ITM	415437	PR2831	ITM	471567!
PR2597	ITM	417344!	PR2721	ITM	473231!	PR2833	ITM	416267!
PR2606	ITM	417495	PR2724	ITM	416149	PR2836	ITM	416130!
PR2607	ITM	417316!	PR2726	ITM	415995!	PR2837	ITM	417353!
PR2609	ITM	470380!	PR2726	ITM	415995!	PR2842	ITM	417522
PR2609	ITM	472189A!	PR2728	ITM	472492!	PR2843	ITM	416070
PR2612	ITM	416706!	PR2730	ITM	471689!	PR2844	ITM	417252
PR2613	ITM	470898	PR2731	ITM	473454	PR2845	ITM	471272!
PR2618	ITM	480210!	PR2732	ITM	416153!	PR2848	ITM	416557
PR2622	ITM	416888!	PR2740	ITM	416135!	PR2853	ITM	450412
PR2623	ITM	470625!	PR2741	ITM	416345!	PR2854	ITM	415351!
PR2624	ITM	416327	PR2742	ITM	415045!	PR2856	ITM	415066
PR2625	ITM	470898	PR2743	ITM	471766!	PR2857	ITM	415066
PR2626	ITM	416327	PR2744	ITM	471442!	PR2861	ITM	417269!
PR2628	ITM	455471	PR2745	ITM	415047	PR2863	ITM	417273
PR2631	ITM	417484!	PR2746	ITM	417525	PR2864	ITM	416865!
PR2632	ITM	415559	PR2747	ITM	417533	PR2865	ITM	416865!
PR2633	ITM	471689!	PR2749	ITM	415284	PR2866	ITM	416865!
PR2634	ITM	415559	PR2751	ITM	415138!	PR2867	ITM	417258
PR2636	ITM	417499	PR2759	ITM	417538	PR2868	ITM	417258
PR2637	ITM	417499	PR2760	ITM	415711	PR2870	ITM	417262!
PR2643	ITM	470954	PR2761	ITM	471649!	PR2871	ITM	224015
PR2644	ITM	472492!	PR2764	ITM	471643!	PR2872	ITM	417262!
PR2647	ITM	417357	PR2767	ITM	470334!	PR2874	ITM	455008
PR2648	ITM	471224!	PR2772	ITM	455203	PR2876	ITM	473232!
PR2649	ITM	415142	PR2773	ITM	416137	PR2877	ITM	476842
PR2650	ITM	455194	PR2774	ITM	416137	PR2879	ITM	412473!
PR2653	ITM	353131	PR2775	ITM	472164!	PR2887	ITM	471255!
PR2653	ITM	471231!	PR2777	ITM	416137	PR2889	ITM	417546!
PR2654	ITM	471413!	PR2778	ITM	471224!	PR2890	ITM	415035
PR2656	ITM	471267!	PR2779	ITM	416321	PR2891	ITM	417358
PR2657	ITM	416556!	PR2780	ITM	416149	PR2892	ITM	470530!
PR2893	ITM	200640				PR2893	ITM	200640
PR2895	ITM	452222!				PR2895	ITM	452222!
PR2896	ITM	417551				PR2896	ITM	417551
PR2899	ITM	472070				PR2899	ITM	472070
PR2901	ITM	472924!				PR2901	ITM	472924!
PR2906	ITM	473214				PR2906	ITM	473214
PR2908	ITM	417541				PR2908	ITM	417541
PR2909	ITM	417541				PR2909	ITM	417541
PR2910	ITM	410708				PR2910	ITM	410708
PR2911	ITM	417344!				PR2911	ITM	417344!
PR2912	ITM	418029!				PR2912	ITM	418029!
PR2914	ITM	473228				PR2914	ITM	473228
PR2915	ITM	473215!				PR2915	ITM	473215!
PR2916	ITM	415458!				PR2916	ITM	415458!
PR2917	ITM	415437				PR2917	ITM	415437
PR2919	ITM	417351!				PR2919	ITM	417351!
PR2920	ITM	472015!				PR2920	ITM	472015!
PR2921	ITM	471264!				PR2921	ITM	471264!
PR2923	ITM	411394!				PR2923	ITM	411394!
PR2924	ITM	415379				PR2924	ITM	415379
PR2925	ITM	210945				PR2925	ITM	210945
PR2926	ITM	415379				PR2926	ITM	415379
PR2927	ITM	412473!				PR2927	ITM	412473!
PR2928	ITM	415991!				PR2928	ITM	415991!
PR2928	ITM	415991!				PR2928	ITM	415991!
PR2929	ITM	472179				PR2929	ITM	472179
PR2930	ITM	417547				PR2930	ITM	417547
PR2932	ITM	412920!				PR2932	ITM	412920!
PR2934	ITM	417354!				PR2934	ITM	417354!
PR2935	ITM	415645!				PR2935	ITM	415645!
PR2935	ITM	455104				PR2935	ITM	455104
PR2937	ITM	417350!				PR2937	ITM	417350!
PR2938	ITM	470712!				PR2938	ITM	470712!
PR2940	ITM	417254				PR2940	ITM	417254
PR2942	ITM	415938				PR2942	ITM	415938
PR2943	ITM	416271!				PR2943	ITM	416271!
PR2944	ITM	417546!				PR2944	ITM	417546!
PR2945	ITM	417495				PR2945	ITM	417495
PR2946	ITM	415938				PR2946	ITM	415938
PR2947	ITM	415938				PR2947	ITM	415938
PR2948	ITM	417360				PR2948	ITM	417360
PR2950	ITM	417555!				PR2950	ITM	417555!
PR2951	ITM	417555!				PR2951	ITM	417555!
PR2956	ITM	480630!				PR2956	ITM	480630!
PR2960	ITM	417542				PR2960	ITM	417542
PR2961	ITM	417542				PR2961	ITM	417542
PR2963	ITM	471787!				PR2963	ITM	471787!
PR2964	ITM	481568!				PR2964	ITM	481568!
PR2965	ITM	417549!				PR2965	ITM	417549!
PR2966	ITM	416664!				PR2966	ITM	416664!
PR2969	ITM	476470				PR2969	ITM	476470
PR2970	ITM	417554!				PR2970	ITM	417554!
PR2972	ITM	417554!				PR2972	ITM	417554!
PR2973	ITM	416288!				PR2973	ITM	416288!
PR2974	ITM	481163!				PR2974	ITM	481163!
PR2975	ITM	55357				PR2975	ITM	55357
PR2976	ITM	416107!				PR2976	ITM	416107!
PR2977	ITM	472354!				PR2977	ITM	472354!
PR2978	ITM	412040				PR2978	ITM	412040
PR2979	ITM	416107!				PR2979	ITM	416107!
PR2980	ITM	417549!				PR2980	ITM	417549!
PR2981	ITM	416107!				PR2981	ITM	416107!
PR2983	ITM	417362!				PR2983	ITM	417362!
PR2985	ITM	455392=				PR2985	ITM	455392=
PR2986	ITM	472164				PR2986	ITM	472164
PR2989	ITM	417349!				PR2989	ITM	417349!
PR2992	ITM	417544				PR2992	ITM	417544
PR2994	ITM	471141!				PR2994	ITM	471141!
PR2995	ITM	472185!				PR2995	ITM	472185!
PR2999	ITM	416666				PR2999	ITM	416666
PR3000	ITM	471750!				PR3000	ITM	471750!
PR3001	ITM	473475				PR3001	ITM	473475

! Industrial Size/Type = Call 1-800-480-1212 for price and delivery.

Zero Duplication or Recommended			Zero Duplication or Recommended			Zero Duplication or Recommended			Zero Duplication or Recommended		
Mfr. No.	Name	Industrial	Mfr. No.	Name	Industrial	Mfr. No.	Name	Industrial	Mfr. No.	Name	Industrial
PR3002	ITM	473444!	PR3150	ITM	50402	PR3291	ITM	471442!	PR3446	ITM	224040
PR3004	ITM	470334!	PR3151	ITM	471760	PR3292	ITM	471554!	PR3446	ITM	40X60X10!
PR3007	ITM	473225!	PR3154	ITM	43076S	PR3293	ITM	471498	PR3452	ITM	470565!
PR3008	ITM	417499	PR3155	ITM	410694!	PR3296	ITM	470606!	PR3453	ITM	472397!
PR3009	ITM	473226	PR3156	ITM	473241	PR3297	ITM	473454	PR3454	ITM	472164!
PR3011	ITM	40154S	PR3157	ITM	412725	PR3298	ITM	415991	PR3456	ITM	470590
PR3014	ITM	473010!	PR3162	ITM	416008	PR3298	ITM	415991!	PR3458	ITM	471192
PR3018	ITM	415683	PR3165	ITM	416239!	PR3300	ITM	416657	PR3460	ITM	473214!
PR3020	ITM	456305	PR3166	ITM	416239!	PR3306	ITM	471255!	PR3461	ITM	473214!
PR3021	ITM	415683	PR3167	ITM	473016!	PR3307	ITM	473425	PR3464	ITM	470354
PR3023	ITM	416476!	PR3168	ITM	472492!	PR3308	ITM	455476	PR3470	ITM	1012
PR3024	ITM	416476!	PR3173	ITM	415867	PR3309	ITM	471504	PR3470	ITM	1012N
PR3025	ITM	417365	PR3174	ITM	415867	PR3310	ITM	470950!	PR3470	ITM	45X62X8!
PR3026	ITM	410102	PR3176	ITM	416077	PR3310	ITM	6241S	PR3474	ITM	1062=
PR3028	ITM	417365	PR3178	ITM	416102	PR3312	ITM	418028	PR3476	ITM	473228!
PR3031	ITM	455330!	PR3179	ITM	415116	PR3313	ITM	413247!	PR3477	ITM	471795
PR3032	ITM	472299	PR3181	ITM	410987!	PR3314	ITM	417022	PR3479	ITM	471766!
PR3035	ITM	471801!	PR3182	ITM	473367	PR3316	ITM	43089S	PR3481	ITM	472299
PR3036	ITM	470625!	PR3185	ITM	473214!	PR3318	ITM	353120	PR3484	ITM	1208
PR3043	ITM	473231!	PR3186	ITM	471646!	PR3319	ITM	455462	PR3484	ITM	48X72X7!
PR3044	ITM	340724!	PR3189	ITM	471267!	PR3320	ITM	473233!	PR3485	ITM	226020
PR3048	ITM	473228!	PR3193	ITM	472213	PR3323	ITM	471787!	PR3485	ITM	60X80X8!
PR3049	ITM	471195!	PR3194	ITM	473231!	PR3324	ITM	481834	PR3486	ITM	222242
PR3050	ITM	473455!	PR3195	ITM	472311!	PR3326	ITM	413472	PR3487	ITM	224045
PR3052	ITM	471195!	PR3196	ITM	453065	PR3329	ITM	2260	PR3487	ITM	40X62X12!
PR3056	ITM	417191	PR3201	ITM	472070	PR3330	ITM	1167	PR3488	ITM	471504
PR3058	ITM	473454	PR3202	ITM	474274	PR3331	ITM	224252	PR3490	ITM	450593!
PR3060	ITM	473205!	PR3204	ITM	473458!	PR3338	ITM	481481	PR3495	ITM	471264!
PR3062	ITM	471692!	PR3206	ITM	457097=	PR3340	ITM	415090	PR3498	ITM	471224!
PR3063	ITM	55692=	PR3207	ITM	55524	PR3344	ITM	55078S	PR3503	ITM	471413!
PR3066	ITM	472258!	PR3208	ITM	473238!	PR3345	ITM	472572!	PR3504	ITM	471558
PR3067	ITM	410102	PR3209	ITM	471272!	PR3346	ITM	240698	PR3506	ITM	415302
PR3068	ITM	472924!	PR3210	ITM	412027	PR3347	ITM	417073	PR3507	ITM	1077=
PR3070	ITM	471316	PR3213	ITM	415551	PR3348	ITM	471870!	PR3508	ITM	472299
PR3076	ITM	472572!	PR3216	ITM	1184	PR3349	ITM	471526!	PR3509	ITM	473228!
PR3077	ITM	455480!	PR3221	ITM	417598	PR3351	ITM	473454	PR3510	ITM	471224!
PR3080	ITM	415072	PR3224	ITM	455406!	PR3352	ITM	471649!	PR3511	ITM	471192
PR3082	ITM	415294!	PR3228	ITM	471466!	PR3354	ITM	471868	PR3517	ITM	471141!
PR3083	ITM	415294!	PR3230	ITM	416664!	PR3355	ITM	55329=	PR3518	ITM	413248
PR3085	ITM	415294!	PR3231	ITM	417600	PR3356	ITM	471692!	PR3520	ITM	471271!
PR3088	ITM	55108=	PR3233	ITM	473234!	PR3357	ITM	473441	PR3521	ITM	415045!
PR3089	ITM	472439	PR3236	ITM	415138!	PR3359	ITM	330385!	PR3524	ITM	415138!
PR3090	ITM	43078S	PR3237	ITM	470605!	PR3360	ITM	240470	PR3525	ITM	416158
PR3091	ITM	472299	PR3239	ITM	417601	PR3361	ITM	471692!	PR3526	ITM	417584
PR3092	ITM	55108=	PR3242	ITM	343105	PR3364	ITM	473230!	PR3527	ITM	417511
PR3099	ITM	417562	PR3242	ITM	7399S!	PR3366	ITM	417191	PR3530	ITM	415072
PR3102	ITM	1170	PR3250	ITM	472492!	PR3369	ITM	417020	PR3531	ITM	416029N!
PR3108	ITM	471737	PR3251	ITM	474265	PR3370	ITM	417020	PR3532	ITM	416364!
PR3111	ITM	415058	PR3252	ITM	414268!	PR3373	ITM	413472	PR3533	ITM	416239!
PR3113	ITM	470380!	PR3254	ITM	415958	PR3378	ITM	415227!	PR3540	ITM	473016!
PR3114	ITM	415854	PR3259	ITM	473210	PR3379	ITM	417571	PR3547	ITM	470954!
PR3115	ITM	417563	PR3260	ITM	471854!	PR3380	ITM	8996S=	PR3548	ITM	416041
PR3116	ITM	417563	PR3261	ITM	417602!	PR3381	ITM	415991	PR3551	ITM	416135!
PR3117	ITM	451948	PR3262	ITM	417602!	PR3381	ITM	415991!	PR3552	ITM	416332!
PR3118	ITM	1992	PR3263	ITM	471854!	PR3382	ITM	472572!	PR3557	ITM	471870!
PR3119	ITM	417563	PR3264	ITM	470954!	PR3383	ITM	471801!	PR3560	ITM	473227
PR3120	ITM	455480!	PR3267	ITM	415683	PR3385	ITM	470334!	PR3566	ITM	473444!
PR3124	ITM	55108=	PR3269	ITM	412725	PR3386	ITM	471571	PR3568	ITM	471652
PR3125	ITM	472164!	PR3270	ITM	472492!	PR3391	ITM	415871	PR3569	ITM	471211
PR3127	ITM	416229	PR3272	ITM	43078S	PR3392	ITM	471766!	PR3570	ITM	471801!
PR3128	ITM	450639	PR3277	ITM	417602!	PR3395	ITM	415483	PR3571	ITM	416158
PR3130	ITM	473234!	PR3278	ITM	471766!	PR3396	ITM	415066	PR3582	ITM	416394
PR3131	ITM	40337S	PR3279	ITM	330385!	PR3398	ITM	471354!	PR3586	ITM	417605
PR3133	ITM	470625!	PR3281	ITM	471224!	PR3399	ITM	471649!	PR3588	ITM	416257
PR3134	ITM	416364!	PR3282	ITM	340815	PR3402	ITM	471281!	PR3592	ITM	340400
PR3136	ITM	416364!	PR3283	ITM	471466!	PR3412	ITM	417606	PR3599	ITM	473427
PR3137	ITM	416364!	PR3284	ITM	473440!	PR3416	ITM	417608	PR3602	ITM	417606
PR3138	ITM	470625!	PR3285	ITM	473231!	PR3419	ITM	473238!	PR3609	ITM	50199S!
PR3140	ITM	472179	PR3286	ITM	473215!	PR3420	ITM	473423	PR3609	ITM	6863S!
PR3142	ITM	472572!	PR3287	ITM	55301S	PR3421	ITM	417606	PR3610	ITM	471264!
PR3143	ITM	417298	PR3289	ITM	471466!	PR3435	ITM	471763	PR3611	ITM	471264!
PR3145	ITM	417596	PR3290	ITM	471554!	PR3444	ITM	472492!	PR3612	ITM	472029

! Industrial Size/Type = Call 1-800-480-1212 for price and delivery.

ALPHABETICAL

Zero Duplication or Recommended Industrial		Zero Duplication or Recommended Industrial		Zero Duplication or Recommended Industrial		Zero Duplication or Recommended Industrial					
Mfr. No.	Name	Mfr. No.	Name	Mfr. No.	Name	Mfr. No.	Name				
PR3614	ITM	417608	PR3829	ITM	416156	PR4507	ITM	472164!	PR4668	ITM	471571
PR3618	ITM	473234!	PR3830	ITM	1094=	PR4508	ITM	415088	PR4672	ITM	455566
PR3622	ITM	470774!	PR3832	ITM	473203	PR4509	ITM	416364!	PR4673	ITM	413248
PR3623	ITM	471271!	PR3835	ITM	471737	PR4510	ITM	471571	PR4675	ITM	417134
PR3624	ITM	417262!	PR3837	ITM	472572!	PR4511	ITM	473215!	PR4676	ITM	472747
PR3628	ITM	473226	PR3839	ITM	471651	PR4514	ITM	343186	PR4677	ITM	474278
PR3630	ITM	474255	PR3841	ITM	340797	PR4515	ITM	416921!	PR4678	ITM	416154!
PR3631	ITM	417316!	PR3842	ITM	222510	PR4517	ITM	473211!	PR4679	ITM	473214!
PR3632	ITM	417608	PR3842	ITM	25X35X7!	PR4519	ITM	473445	PR4685	ITM	471316
PR3634	ITM	416271!	PR3843	ITM	456744N	PR4521	ITM	471267!	PR4686	ITM	470088
PR3640	ITM	471646!	PR3844	ITM	331173	PR4524	ITM	455584	PR4690	ITM	1169
PR3643	ITM	472560N!	PR3858	ITM	471195!	PR4528	ITM	476470	PR4692	ITM	472070
PR3644	ITM	474255	PR3859	ITM	415991	PR4530	ITM	224820	PR4695	ITM	472070
PR3648	ITM	471649!	PR3859	ITM	415991!	PR4530	ITM	48X62X8!	PR4696	ITM	471785!
PR3649	ITM	1012	PR3866	ITM	472354!	PR4531	ITM	1977	PR4698	ITM	327303!
PR3649	ITM	1012N	PR3867	ITM	471692!	PR4543	ITM	415867	PR4700	ITM	471472!
PR3649	ITM	45X62X8!	PR3868	ITM	473229!	PR4544	ITM	1174	PR4704	ITM	471597
PR3654	ITM	471692!	PR3879	ITM	417356!	PR4544	ITM	38X52X8.5!	PR4708	ITM	473197
PR3656	ITM	471692!	PR3888	ITM	416556!	PR4548	ITM	470354	PR4710	ITM	450446
PR3698	ITM	473454	PR3888	ITM	472157	PR4549	ITM	415958	PR4711	ITM	416271!
PR3701	ITM	471854!	PR3890	ITM	473016!	PR4550	ITM	417172	PR4712	ITM	455251H
PR3702	ITM	415035	PR3891	ITM	471735	PR4551	ITM	472572!	PR4715	ITM	417247!
PR3703	ITM	471316	PR3892	ITM	43078S	PR4552	ITM	40555	PR4718	ITM	471762!
PR3709	ITM	416654!	PR3893	ITM	416557	PR4552	ITM	40555S!	PR4719	ITM	312518!
PR3711	ITM	416654!	PR3895	ITM	7600S	PR4553	ITM	473467	PR4719	ITM	342518
PR3712	ITM	417487!	PR3898	ITM	417530	PR4557	ITM	473466	PR4720	ITM	450177
PR3712	ITM	417487	PR3902	ITM	416891!	PR4560	ITM	472016!	PR4722	ITM	471466!
PR3725	ITM	471689!	PR3904	ITM	450984	PR4561	ITM	471271!	PR4723	ITM	6663S
PR3726	ITM	418028	PR3908	ITM	471224!	PR4565	ITM	474276!	PR4724	ITM	471224!
PR3727	ITM	450084!	PR3909	ITM	471705!	PR4566	ITM	481181!	PR4725	ITM	450311
PR3730	ITM	470530!	PR3911	ITM	470898	PR4569	ITM	471649!	PR4726	ITM	415449!
PR3731	ITM	417159	PR3912	ITM	471224!	PR4572	ITM	472475	PR4731	ITM	417171!
PR3732	ITM	472397!	PR3916	ITM	455396	PR4573	ITM	417262!	PR4735	ITM	417254
PR3734	ITM	416738!	PR3919	ITM	471750!	PR4577	ITM	321460	PR4736	ITM	415379
PR3735	ITM	473450!	PR3920	ITM	415697!	PR4583	ITM	33X50X12!	PR4737	ITM	415449!
PR3736	ITM	470530!	PR3923	ITM	343186	PR4593	ITM	416107!	PR4740	ITM	471684!
PR3737	ITM	410496!	PR3924	ITM	473224!	PR4595	ITM	471854!	PR4742	ITM	471870!
PR3738	ITM	473466	PR3926	ITM	472082	PR4597	ITM	472179	PR4747	ITM	1979
PR3739	ITM	473467	PR3927	ITM	417492	PR4599	ITM	350435	PR4749	ITM	471835!
PR3742	ITM	416664!	PR3928	ITM	416135!	PR4604	ITM	471466!	PR4750	ITM	473317
PR3744	ITM	350435	PR3929	ITM	450307	PR4605	ITM	417601	PR4757	ITM	203013
PR3745	ITM	210914	PR3933	ITM	224820	PR4606	ITM	240733	PR4758	ITM	472636!
PR3746	ITM	418028	PR3933	ITM	48X62X8!	PR4607	ITM	471689!	PR4759	ITM	411348!
PR3747	ITM	472016!	PR3935	ITM	417509	PR4609	ITM	471652	PR4761	ITM	471554!
PR3750	ITM	473447	PR3944	ITM	471801!	PR4610	ITM	471760	PR4768	ITM	473258!
PR3756	ITM	472029	PR3950	ITM	415150!	PR4613	ITM	473448	PR4770	ITM	1012
PR3757	ITM	410752	PR3951	ITM	471267!	PR4614	ITM	41026S	PR4770	ITM	1012N
PR3761	ITM	472636!	PR3962	ITM	471231!	PR4616	ITM	43078S	PR4770	ITM	45X62X8!
PR3763	ITM	473228	PR3964	ITM	415483	PR4617	ITM	416624!	PR4773	ITM	415389
PR3766	ITM	413470!	PR3969	ITM	50490=	PR4618	ITM	415995!	PR4774	ITM	416127
PR3767	ITM	410102	PR3970	ITM	450326	PR4618	ITM	415995!	PR4776	ITM	1097N
PR3768	ITM	471554!	PR3971	ITM	472258!	PR4619	ITM	415379	PR4780	ITM	223240
PR3769	ITM	471689!	PR3975	ITM	227040	PR4620	ITM	415938	PR4780	ITM	32X48X8!
PR3773	ITM	473236!	PR3975	ITM	70X90X10!	PR4621	ITM	415027	PR4782	ITM	472324!
PR3775	ITM	417343!	PR3982	ITM	450604	PR4627	ITM	55199=	PR4784	ITM	223840
PR3776	ITM	451845	PR3985	ITM	473423	PR4629	ITM	50883=	PR4784	ITM	38X58X8!
PR3782	ITM	416664!	PR3988	ITM	471532	PR4634	ITM	416956	PR4785	ITM	1177
PR3784	ITM	416664	PR3990	ITM	471870!	PR4636	ITM	415483	PR4786	ITM	481371H=
PR3787	ITM	416664!	PR3992	ITM	415984!	PR4638	ITM	417344!	PR4788	ITM	1176
PR3789	ITM	412861	PR3993	ITM	415725!	PR4639	ITM	470605!	PR4789	ITM	1180
PR3790	ITM	412861	PR3998	ITM	473227!	PR4640	ITM	476470	PR4789	ITM	41X55X7!
PR3793	ITM	416865!	PR3999	ITM	415036	PR4641	ITM	417211!	PR4790	ITM	473227!
PR3795	ITM	323138!	PR4040	ITM	5M89	PR4643	ITM	416556!	PR4791	ITM	1170
PR3796	ITM	455151	PR4045	ITM	5M867	PR4643	ITM	472157	PR4792	ITM	1176
PR3804	ITM	471652	PR4048	ITM	5MR71	PR4650	ITM	330699	PR4795	ITM	414045!
PR3806	ITM	416956	PR4109	ITM	5M289	PR4654	ITM	410825	PR4797	ITM	55X82X12!
PR3811	ITM	472299	PR4112	ITM	5MR1008	PR4655	ITM	455966	PR4801	ITM	1953
PR3812	ITM	415960	PR4113	ITM	5MR1009	PR4660	ITM	472354!	PR4801	ITM	42X60X7!
PR3814	ITM	472475	PR4116	ITM	5M293	PR4662	ITM	473235!	PR4802	ITM	223542
PR3815	ITM	473466	PR4231	ITM	5M559	PR4666	ITM	1180	PR4802	ITM	35X55X11!
PR3819	ITM	417269!	PR4501	ITM	1097N	PR4666	ITM	41X55X7!	PR4808	ITM	473467
PR3828	ITM	455858	PR4506	ITM	473241	PR4667	ITM	471737	PR4809	ITM	481443!

! Industrial Size/Type = Call 1-800-480-1212 for price and delivery.

Zero Duplication or Recommended		Zero Duplication or Recommended		Zero Duplication or Recommended		Zero Duplication or Recommended					
Mfr. No.	Name	Mfr. No.	Name	Mfr. No.	Name	Mfr. No.	Name				
PR4810	ITM	473242	PR4932	ITM	455308	PR5037	ITM	481792	PR5129	ITM	473241
PR4813	ITM	473237!	PR4933	ITM	473367	PR5038	ITM	450604	PR5130	ITM	472144!
PR4814	ITM	472492!	PR4934	ITM	416282	PR5040	ITM	473427	PR5131	ITM	472394
PR4817	ITM	5976S	PR4935	ITM	473232!	PR5041	ITM	472475	PR5133	ITM	471424!
PR4818	ITM	471267!	PR4936	ITM	417269!	PR5042	ITM	471765!	PR5134	ITM	471870!
PR4819	ITM	474253	PR4937	ITM	415023	PR5043	ITM	471354!	PR5135	ITM	472492!
PR4820	ITM	470328	PR4939	ITM	416380!	PR5044	ITM	473205!	PR5136	ITM	472924!
PR4820	ITM	481213!	PR4942	ITM	473232!	PR5047	ITM	471737	PR5137	ITM	472397!
PR4822	ITM	471224!	PR4943	ITM	471554!	PR5048	ITM	471766!	PR5138	ITM	473242
PR4825	ITM	472354!	PR4945	ITM	450557	PR5049	ITM	471787!	PR5139	ITM	412027
PR4826	ITM	473463	PR4945	ITM	471255!	PR5050	ITM	471795	PR5140	ITM	410102
PR4829	ITM	415871	PR4946	ITM	472810!	PR5051	ITM	471801!	PR5144	ITM	55524
PR4831	ITM	417262!	PR4948	ITM	472705!	PR5052	ITM	471808!	PR5145	ITM	451948
PR4833	ITM	417556	PR4954	ITM	224015	PR5053	ITM	471833	PR5146	ITM	472012
PR4834	ITM	415867	PR4955	ITM	481163!	PR5055	ITM	473210	PR5147	ITM	473204
PR4837	ITM	415458!	PR4956	ITM	417205!	PR5056	ITM	472826!	PR5148	ITM	470898
PR4838	ITM	415458!	PR4959	ITM	417486	PR5057	ITM	473211!	PR5149	ITM	471646!
PR4839	ITM	470898	PR4963	ITM	473212!	PR5058	ITM	473212!	PR5150	ITM	410308!
PR4846	ITM	45187S	PR4964	ITM	473426	PR5059	ITM	473213!	PR5150	ITM	473468
PR4847	ITM	415995!	PR4965	ITM	473227!	PR5060	ITM	481834	PR5151	ITM	472016!
PR4847	ITM	415995!	PR4966	ITM	472475	PR5062	ITM	472258!	PR5152	ITM	473243
PR4848	ITM	473473	PR4967	ITM	471868	PR5063	ITM	470774!	PR5153	ITM	413470!
PR4849	ITM	412119!	PR4968	ITM	410737!	PR5064	ITM	471192	PR5154	ITM	416267!
PR4854	ITM	345146	PR4969	ITM	6324S=	PR5065	ITM	473214!	PR5155	ITM	473244!
PR4855	ITM	55030	PR4970	ITM	470954!	PR5066	ITM	473215!	PR5156	ITM	472018
PR4857	ITM	481073	PR4971	ITM	254287	PR5067	ITM	471835!	PR5157	ITM	473245!
PR4858	ITM	417191	PR4973	ITM	471570!	PR5068	ITM	472843	PR5158	ITM	413472
PR4862	ITM	471570!	PR4974	ITM	471224!	PR5071	ITM	3395!	PR5159	ITM	416268
PR4864	ITM	416404!	PR4975	ITM	415437	PR5071	ITM	352444	PR5161	ITM	471272!
PR4866	ITM	416706!	PR4979	ITM	455121	PR5072	ITM	473224!	PR5162	ITM	473473
PR4868	ITM	472144!	PR4980	ITM	471466!	PR5073	ITM	473016!	PR5163	ITM	471138!
PR4869	ITM	471646!	PR4983	ITM	415447	PR5074	ITM	473225!	PR5164	ITM	472636!
PR4870	ITM	473475	PR4985	ITM	413247!	PR5075	ITM	473226	PR5165	ITM	412920!
PR4871	ITM	417181!	PR4986	ITM	415001!	PR5076	ITM	473227!	PR5166	ITM	411376!
PR4873	ITM	411245!	PR4988	ITM	472572!	PR5077	ITM	470625!	PR5167	ITM	415234!
PR4874	ITM	1174	PR4989	ITM	473215!	PR5078	ITM	470380!	PR5168	ITM	415259!
PR4874	ITM	38X52X8.5!	PR4990	ITM	50514	PR5079	ITM	473228!	PR5169	ITM	55337
PR4880	ITM	472826!	PR4991	ITM	417349!	PR5081	ITM	473440!	PR5170	ITM	472150
PR4882	ITM	471529	PR4994	ITM	416239!	PR5083	ITM	471958	PR5172	ITM	411394!
PR4883	ITM	471765!	PR4997	ITM	416865!	PR5085	ITM	472213	PR5173	ITM	450133
PR4884	ITM	417621!	PR5000	ITM	471526!	PR5086	ITM	472299	PR5174	ITM	416444
PR4885	ITM	472164!	PR5001	ITM	471472!	PR5088	ITM	470682	PR5176	ITM	470565!
PR4888	ITM	471689!	PR5002	ITM	471549!	PR5089	ITM	473441	PR5177	ITM	413246
PR4889	ITM	6703S	PR5003	ITM	471535!	PR5090	ITM	473442!	PR5178	ITM	413247!
PR4890	ITM	352541	PR5004	ITM	471551!	PR5092	ITM	473230!	PR5179	ITM	416271!
PR4891	ITM	416158	PR5005	ITM	471264!	PR5093	ITM	473231!	PR5180	ITM	410825
PR4892	ITM	415995!	PR5006	ITM	471255!	PR5094	ITM	473010!	PR5181	ITM	416071
PR4892	ITM	415995!	PR5007	ITM	471564	PR5095	ITM	473232!	PR5182	ITM	412040
PR4893	ITM	352541	PR5008	ITM	471553!	PR5096	ITM	474274	PR5183	ITM	413478
PR4895	ITM	471424!	PR5009	ITM	471554!	PR5097	ITM	473444!	PR5184	ITM	411245!
PR4896	ITM	473212!	PR5010	ITM	471567!	PR5101	ITM	473233!	PR5186	ITM	472029
PR4898	ITM	471734	PR5011	ITM	471643!	PR5102	ITM	473234!	PR5187	ITM	471271!
PR4900	ITM	473426	PR5012	ITM	471689!	PR5103	ITM	473235!	PR5188	ITM	470605!
PR4901	ITM	472311!	PR5013	ITM	470390	PR5104	ITM	473236!	PR5189	ITM	415449!
PR4902	ITM	415449!	PR5014	ITM	471570!	PR5105	ITM	473446	PR5190	ITM	416273
PR4907	ITM	416556!	PR5016	ITM	471646!	PR5106	ITM	471981	PR5191	ITM	455079!
PR4907	ITM	472157	PR5017	ITM	470590	PR5107	ITM	473237!	PR5192	ITM	415082
PR4910	ITM	415991	PR5018	ITM	471730	PR5108	ITM	472164!	PR5193	ITM	455655!
PR4910	ITM	415991!	PR5020	ITM	472951	PR5109	ITM	472185!	PR5194	ITM	355732
PR4912	ITM	450593!	PR5020	ITM	474252	PR5110	ITM	472179	PR5196	ITM	415302
PR4913	ITM	473205!	PR5021	ITM	471649!	PR5111	ITM	471141!	PR5197	ITM	415988
PR4915	ITM	417433!	PR5022	ITM	471689!	PR5112	ITM	471984	PR5198	ITM	417481
PR4919	ITM	253099	PR5023	ITM	471733	PR5118	ITM	472070	PR5200	ITM	410708
PR4920	ITM	473231!	PR5024	ITM	471760	PR5119	ITM	473449!	PR5201	ITM	415483
PR4922	ITM	6110=	PR5025	ITM	471619!	PR5120	ITM	473450!	PR5202	ITM	415458!
PR4923	ITM	470950!	PR5029	ITM	50505=	PR5122	ITM	473454	PR5203	ITM	417343!
PR4923	ITM	6241S	PR5030	ITM	471705!	PR5123	ITM	472439	PR5204	ITM	415007
PR4925	ITM	417601	PR5031	ITM	471735	PR5124	ITM	472572!	PR5205	ITM	417082
PR4926	ITM	473438	PR5032	ITM	471762!	PR5125	ITM	473238!	PR5207	ITM	455151
PR4928	ITM	416239!	PR5034	ITM	470712!	PR5126	ITM	473239!	PR5208	ITM	455008
PR4930	ITM	415219	PR5035	ITM	471763	PR5127	ITM	473240!	PR5210	ITM	416664!
PR4931	ITM	455251=	PR5036	ITM	471785!	PR5128	ITM	472319	PR5211	ITM	415984!

! Industrial Size/Type = Call 1-800-480-1212 for price and delivery.

ALPHABETICAL

Zero Duplication or Recommended		Zero Duplication or Recommended		Zero Duplication or Recommended		Zero Duplication or Recommended		
Mfr. No.	Name	Mfr. No.	Name	Mfr. No.	Name	Mfr. No.	Name	
PR5212	ITM	417316!	PR5290	ITM	415196!	PR5545	ITM	411253!
PR5213	ITM	415960	PR5291	ITM	416891!	PR5550	ITM	470954!
PR5214	ITM	416706!	PR5292	ITM	415045!	PR5551	ITM	471466!
PR5215	ITM	476281	PR5293	ITM	416137	PR5552	ITM	481834
PR5216	ITM	416282	PR5294	ITM	415058	PR5553	ITM	415001!
PR5218	ITM	417485	PR5295	ITM	416556!	PR5555	ITM	472354!
PR5219	ITM	415303!	PR5295	ITM	472157	PR5557	ITM	415138!
PR5220	ITM	417344!	PR5296	ITM	415425	PR5558	ITM	413248
PR5221	ITM	417488!	PR5297	ITM	416380!	PR5559	ITM	416135!
PR5222	ITM	416921!	PR5298	ITM	415047	PR5561	ITM	1094 =
PR5224	ITM	455144	PR5299	ITM	416149	PR5562	ITM	416271!
PR5225	ITM	416956	PR5300	ITM	415060	PR5563	ITM	470605!
PR5226	ITM	417159	PR5301	ITM	327303!	PR5564	ITM	415449!
PR5227	ITM	416654!	PR5302	ITM	417530	PR5565	ITM	455005
PR5228	ITM	417349!	PR5303	ITM	416888!	PR5566	ITM	455556
PR5229	ITM	417350!	PR5304	ITM	416892!	PR5567	ITM	417350!
PR5230	ITM	415995!	PR5305	ITM	416154!	PR5568	ITM	417351!
PR5230	ITM	415995!	PR5306	ITM	415351!	PR5569	ITM	417488!
PR5231	ITM	417487	PR5307	ITM	415371	PR5570	ITM	417621!
PR5231	ITM	417487!	PR5308	ITM	416158	PR5571	ITM	417171!
PR5232	ITM	415088	PR5309	ITM	415138!	PR5573	ITM	412473!
PR5234	ITM	455019!	PR5310	ITM	417247!	PR5574	ITM	416624!
PR5235	ITM	416404!	PR5311	ITM	415066	PR5575	ITM	416332!
PR5236	ITM	416288!	PR5312	ITM	416167!	PR5576	ITM	415263
PR5237	ITM	417172	PR5313	ITM	417269!	PR5577	ITM	415487
PR5238	ITM	416024	PR5315	ITM	415725!	PR5577	ITM	417555!
PR5239	ITM	456105	PR5316	ITM	416865!	PR5578	ITM	415036
PR5240	ITM	455336	PR5335	ITM	415551	PR5579	ITM	456641
PR5241	ITM	417433!	PR5337	ITM	416364!	PR5580	ITM	415284
PR5242	ITM	476470	PR5500	ITM	472258!	PR5581	ITM	417541
PR5243	ITM	418028	PR5501	ITM	417349!	PR5582	ITM	417353!
PR5244	ITM	456305	PR5502	ITM	471571	PR5586	ITM	417355!
PR5245	ITM	415023	PR5503	ITM	471766!	PR5587	ITM	416327
PR5246	ITM	415085!	PR5504	ITM	471868	PR5588	ITM	471820
PR5247	ITM	455024	PR5505	ITM	471442!	PR5589	ITM	472636!
PR5248	ITM	416294!	PR5506	ITM	471554!	PR5591	ITM	452023 =
PR5249	ITM	417191	PR5507	ITM	471570!	PR5593	ITM	416664!
PR5251	ITM	415025	PR5508	ITM	415711	PR5595	ITM	470954!
PR5253	ITM	417492	PR5509	ITM	451078!	PR5596	ITM	476838!
PR5254	ITM	415991	PR5510	ITM	473425	PR5597	ITM	417507
PR5254	ITM	415991!	PR5511	ITM	471801!	PR5598	ITM	471195!
PR5255	ITM	415437	PR5512	ITM	480844	PR5599	ITM	417196!
PR5256	ITM	415027	PR5513	ITM	473010!	PR5600	ITM	416156
PR5257	ITM	417495	PR5514	ITM	472164!	PR5602	ITM	417542
PR5258	ITM	415559	PR5515	ITM	470334!	PR5603	ITM	417549!
PR5259	ITM	415389	PR5516	ITM	472492!	PR5604	ITM	417278
PR5260	ITM	415937!	PR5518	ITM	473464	PR5610	ITM	331228H
PR5261	ITM	416125!	PR5519	ITM	415001!	PR5611	ITM	471651
PR5262	ITM	417499	PR5520	ITM	416149	PR5615	ITM	473258!
PR5263	ITM	415983N!	PR5521	ITM	471570!	PR5620	ITM	410737!
PR5264	ITM	415379	PR5522	ITM	470088	PR5621	ITM	55108 =
PR5265	ITM	416339	PR5523	ITM	323119	PR5622	ITM	473459 =
PR5266	ITM	415150!	PR5524	ITM	455249!	PR5623	ITM	9845
PR5268	ITM	417210!	PR5525	ITM	471141!	PR5624	ITM	473423
PR5269	ITM	416345!	PR5526	ITM	450593!	PR5625	ITM	416921!
PR5270	ITM	415697!	PR5527	ITM	417223	PR5627	ITM	410308!
PR5271	ITM	417366!	PR5529	ITM	474264	PR5627	ITM	473468
PR5272	ITM	415958	PR5530	ITM	450776!	PR5628	ITM	471270!
PR5274	ITM	415034!	PR5531	ITM	470328	PR5629	ITM	9569S
PR5276	ITM	457294	PR5531	ITM	481213!	PR5631	ITM	415991
PR5277	ITM	415035	PR5533	ITM	471862	PR5631	ITM	415991!
PR5278	ITM	417356!	PR5534	ITM	473458!	PR5632	ITM	416888
PR5279	ITM	417357	PR5535	ITM	1097N	PR5633	ITM	416273
PR5280	ITM	416130!	PR5537	ITM	473459	PR5634	ITM	416297
PR5281	ITM	415041	PR5538	ITM	484058	PR5636	ITM	417606
PR5282	ITM	455134!	PR5539	ITM	331107N	PR5638	ITM	415995!
PR5283	ITM	417511	PR5540	ITM	417513	PR5638	ITM	415995!
PR5284	ITM	415142	PR5541	ITM	471795	PR5642	ITM	471570!
PR5285	ITM	415043	PR5542	ITM	470950!	PR5643	ITM	472258!
PR5287	ITM	415295	PR5542	ITM	6241S	PR5644	ITM	417433 =
PR5289	ITM	416556!	PR5543	ITM	473367	PR5645	ITM	457291
PR5289	ITM	472157	PR5544	ITM	410524	PR5646	ITM	416364!
PR5647	ITM	417316!	PR5649	ITM	473517!	PR5650	ITM	484054
PR5649	ITM	473517!	PR5650	ITM	484054	PR5654	ITM	415389
PR5650	ITM	484054	PR5655	ITM	417181!	PR5656	ITM	412119!
PR5654	ITM	415389	PR5657	ITM	416500	PR5658	ITM	416500
PR5655	ITM	417181!	PR5658	ITM	410737!	PR5659	ITM	55469
PR5657	ITM	412119!	PR5659	ITM	416500	PR5660	ITM	55469
PR5658	ITM	416500	PR5660	ITM	410737!	PR5662	ITM	473274
PR5659	ITM	416500	PR5662	ITM	473274	PR5663	ITM	450090
PR5660	ITM	55469	PR5663	ITM	450090	PR5665	ITM	410694!
PR5662	ITM	473274	PR5665	ITM	410694!	PR5669	ITM	417254
PR5663	ITM	450090	PR5669	ITM	417254	PR5670	ITM	417360
PR5665	ITM	410694!	PR5670	ITM	417360	PR5672	ITM	416107!
PR5669	ITM	417254	PR5672	ITM	416107!	PR5674	ITM	350974!
PR5670	ITM	417360	PR5674	ITM	350974!	PR5674	ITM	417354!
PR5672	ITM	416107!	PR5675	ITM	410496!	PR5675	ITM	410496!
PR5674	ITM	350974!	PR5676	ITM	456744N	PR5676	ITM	456744N
PR5675	ITM	410496!	PR5677	ITM	417532	PR5677	ITM	417532
PR5676	ITM	456744N	PR5679	ITM	455858	PR5679	ITM	455858
PR5677	ITM	417532	PR5680	ITM	410987!	PR5680	ITM	410987!
PR5679	ITM	455858	PR5681	ITM	417514	PR5681	ITM	417514
PR5680	ITM	410987!	PR5682	ITM	415045!	PR5682	ITM	415045!
PR5681	ITM	417514	PR5684	ITM	415349	PR5684	ITM	415349
PR5682	ITM	415045!	PR5688	ITM	417597	PR5688	ITM	417597
PR5684	ITM	415349	PR5689	ITM	472258	PR5689	ITM	472258
PR5688	ITM	417597	PR5690	ITM	55646 =	PR5690	ITM	55646 =
PR5689	ITM	472258	PR5697	ITM	411330!	PR5697	ITM	411330!
PR5690	ITM	55646 =	PR5699	ITM	416239!	PR5699	ITM	416239!
PR5697	ITM	411330!	PR5700	ITM	357302	PR5700	ITM	357302
PR5699	ITM	416239!	PR5702	ITM	450143	PR5702	ITM	450143
PR5700	ITM	357302	PR5707	ITM	473463	PR5707	ITM	473463
PR5702	ITM	450143	PR5708	ITM	417509	PR5708	ITM	417509
PR5707	ITM	473463	PR5709	ITM	417198	PR5709	ITM	417198
PR5708	ITM	417509	PR5710	ITM	415645!	PR5710	ITM	415645!
PR5709	ITM	417198	PR5711	ITM	417362!	PR5711	ITM	417362!
PR5710	ITM	415645!	PR5712	ITM	416666	PR5712	ITM	416666
PR5711	ITM	417362!	PR5714	ITM	416039	PR5714	ITM	416039
PR5712	ITM	416666	PR5716	ITM	455480!	PR5716	ITM	455480!
PR5714	ITM	416039	PR5717	ITM	417562	PR5717	ITM	417562
PR5716	ITM	455480!	PR5718	ITM	415854	PR5718	ITM	415854
PR5717	ITM	417562	PR5720	ITM	417205!	PR5720	ITM	417205!
PR5718	ITM	415854	PR5722	ITM	416557	PR5722	ITM	416557
PR5720	ITM	417205!	PR5723	ITM	417258	PR5723	ITM	417258
PR5722	ITM	416557	PR5724	ITM	417546!	PR5724	ITM	417546!
PR5723	ITM	417258	PR5725	ITM	473415	PR5725	ITM	473415
PR5724	ITM	417546!	PR5726	ITM	417499	PR5726	ITM	417499
PR5725	ITM	473415	PR5727	ITM	415867	PR5727	ITM	415867
PR5726	ITM	417499	PR5730	ITM	473239!	PR5730	ITM	473239!
PR5727	ITM	415867	PR5733	ITM	415294!	PR5733	ITM	415294!
PR5730	ITM	473239!	PR5735	ITM	416229	PR5735	ITM	416229
PR5733	ITM	415294!	PR5736	ITM	417487!	PR5736	ITM	417487!
PR5735	ITM	416229	PR5737	ITM	417487!	PR5737	ITM	417487!
PR5736	ITM	417487!	PR5738	ITM	473447	PR5738	ITM	473447
PR5737	ITM	417487!	PR5784	ITM	473447	PR5784	ITM	473447
PR5738	ITM	473447	PR5795	ITM	471316	PR5795	ITM	471316
PR5784	ITM	473447	PR5797	ITM	472397!	PR5797	ITM	472397!
PR5795	ITM	471316	PR5802	ITM	470088	PR5802	ITM	470088
PR5797	ITM	472397!	PR5811	ITM	416738!	PR5811	ITM	416738!
PR5802	ITM	470088	PR5816	ITM	415984!	PR5816	ITM	415984!
PR5811	ITM	416738!	PR5817	ITM	476470	PR5817	ITM	476470
PR5816	ITM	415984!	PR6000	ITM	473231!	PR6000	ITM	473231!
PR5817	ITM	476470	PR6001	ITM	413247!	PR6001	ITM	413247!
PR6000	ITM	473231!	PR6002	ITM	476023N	PR6002	ITM	476023N
PR6001	ITM	413247!	PR6007	ITM	473228	PR6007	ITM	473228
PR6002	ITM	476023N	PR6009	ITM	472179	PR6009		

Zero Duplication or Recommended		Zero Duplication or Recommended		Zero Duplication or Recommended		Zero Duplication or Recommended		
Mfr. No.	Name	Mfr. No.	Name	Mfr. No.	Name	Mfr. No.	Name	
PR6021	ITM	415437	PR6152	ITM	5965	PR6292	ITM	417608
PR6021	ITM	415437!	PR6154	ITM	8996S =	PR6295	ITM	473237!
PR6024	ITM	470605!	PR6156	ITM	471267!	PR6304	ITM	471831!
PR6027	ITM	417538	PR6159	ITM	417134	PR6310	ITM	470565!
PR6028	ITM	417563	PR6160	ITM	6638S	PR6311	ITM	415458
PR6029	ITM	471138!	PR6162	ITM	415958	PR6313	ITM	473442!
PR6030	ITM	417357	PR6170	ITM	416891!	PR6315	ITM	417549!
PR6032	ITM	473425	PR6171	ITM	417354!	PR6318	ITM	473230!
PR6035	ITM	455019!	PR6172	ITM	418028	PR6320	ITM	415437
PR6036	ITM	417492	PR6173	ITM	473214!	PR6322	ITM	471651
PR6040	ITM	471821!	PR6183	ITM	8835S	PR6324	ITM	473228!
PR6042	ITM	311189	PR6186	ITM	413248	PR6330	ITM	471766 =
PR6043	ITM	331228H	PR6187	ITM	40555	PR6331	ITM	5472 =
PR6044	ITM	473245!	PR6187	ITM	40555S!	PR6332	ITM	473231!
PR6046	ITM	473447	PR6189	ITM	42101S	PR6337	ITM	473228!
PR6050	ITM	450313	PR6190	ITM	291295	PR6338	ITM	417498
PR6051	ITM	456105	PR6191	ITM	473228!	PR6339	ITM	472082
PR6052	ITM	417316!	PR6192	ITM	470334!	PR6342	ITM	3395!
PR6053	ITM	415034!	PR6194	ITM	9569S	PR6342	ITM	352444
PR6055	ITM	7751H	PR6199	ITM	1097N	PR6344	ITM	415449!
PR6058	ITM	417316!	PR6201	ITM	1184	PR6346	ITM	415960
PR6059	ITM	416738!	PR6205	ITM	1994	PR6350	ITM	7782N
PR6060	ITM	480581 =	PR6205	ITM	48X70X9!	PR6352	ITM	472258!
PR6061	ITM	470682	PR6213	ITM	223542	PR6354	ITM	471652
PR6062	ITM	476842	PR6213	ITM	35X55X11!	PR6361	ITM	8792S
PR6066	ITM	472572!	PR6214	ITM	473823	PR6363	ITM	472409!
PR6067	ITM	416130!	PR6222	ITM	417349!	PR6370	ITM	7457N
PR6068	ITM	471787!	PR6223	ITM	415995!	PR6371	ITM	417247!
PR6069	ITM	1091 =	PR6224	ITM	415449!	PR6373	ITM	1174
PR6071	ITM	8660S	PR6225	ITM	471272!	PR6373	ITM	38X52X8.5!
PR6072	ITM	8611N	PR6227	ITM	474276!	PR6374	ITM	1181
PR6077	ITM	8976S	PR6230	ITM	470774!	PR6374	ITM	41X56X7!
PR6082	ITM	222510	PR6231	ITM	470380!	PR6375	ITM	1183
PR6082	ITM	25X35X7!	PR6231	ITM	472189A!	PR6376	ITM	224045
PR6084	ITM	473258!	PR6232	ITM	9845	PR6376	ITM	40X62X12!
PR6085	ITM	1214	PR6234	ITM	472258!	PR6378	ITM	1992
PR6085	ITM	1214N	PR6235	ITM	415983N!	PR6379	ITM	8121S
PR6087	ITM	417366!	PR6238	ITM	42260S	PR6389	ITM	370001A
PR6089	ITM	470898!	PR6240	ITM	415036	PR6390	ITM	450260
PR6090	ITM	415483	PR6249	ITM	1037	PR6391	ITM	471224!
PR6091	ITM	473231!	PR6250	ITM	493637	PR6392	ITM	480630!
PR6092	ITM	471539!	PR6252	ITM	415983N!	PR6395	ITM	471854!
PR6093	ITM	471267!	PR6254	ITM	417159	PR6396	ITM	471267!
PR6094	ITM	470088	PR6256	ITM	350364	PR6399	ITM	6703S
PR6096	ITM	8935S	PR6258	ITM	350156	PR6401	ITM	473179!
PR6097	ITM	412920!	PR6258	ITM	473096	PR6409	ITM	415303!
PR6098	ITM	456618	PR6261	ITM	471264!	PR6414	ITM	370037A
PR6099	ITM	6815	PR6262	ITM	471538!	PR6415	ITM	370036A
PR6101	ITM	41257!	PR6263	ITM	470954!	PR6416	ITM	5092
PR6103	ITM	312518!	PR6264	ITM	471649!	PR6417	ITM	417158!
PR6103	ITM	342518	PR6265	ITM	471192	PR6422	ITM	416888!
PR6105	ITM	484058	PR6266	ITM	471192	PR6430	ITM	1196
PR6106	ITM	5473	PR6267	ITM	472164!	PR6433	ITM	476574N
PR6107	ITM	416921!	PR6271	ITM	43290S	PR6438	ITM	471831!
PR6108	ITM	417520	PR6272	ITM	416273	PR6439	ITM	417357
PR6109	ITM	473244!	PR6273	ITM	415302	PR6444	ITM	350909
PR6110	ITM	6954S	PR6274	ITM	415960	PR6444	ITM	471224!
PR6112	ITM	1174	PR6276	ITM	415303!	PR6445	ITM	417343!
PR6112	ITM	38X52X8.5!	PR6277	ITM	476470	PR6449	ITM	410989
PR6119	ITM	472439	PR6279	ITM	456744N	PR6449	ITM	470989
PR6121	ITM	413246	PR6280	ITM	417211!	PR6455	ITM	472258!
PR6126	ITM	350936	PR6281	ITM	415035	PR6462	ITM	226020
PR6129	ITM	416557	PR6282	ITM	415295	PR6462	ITM	60X80X8!
PR6130	ITM	475568 =	PR6283	ITM	415196!	PR6467	ITM	7044NA
PR6134	ITM	415327	PR6284	ITM	416153!	PR6468	ITM	340835
PR6135	ITM	472560N!	PR6285	ITM	416167!	PR6471	ITM	1170
PR6138	ITM	415263	PR6286	ITM	417040	PR6472	ITM	32X58X8!
PR6139	ITM	40322 =	PR6287	ITM	415124	PR6487	ITM	417350 =
PR6145	ITM	224045	PR6288	ITM	417022	PR6492	ITM	1190
PR6145	ITM	40X62X12!	PR6289	ITM	455129	PR6501	ITM	331173
PR6147	ITM	471835!	PR6290	ITM	7639S	PR6502	ITM	1213N
PR6148	ITM	472150	PR6291	ITM	415076	PR6505	ITM	228020
PR6510	ITM	3051N				PR6510	ITM	223240
PR6511	ITM	223240				PR6511	ITM	32X48X8!
PR6513	ITM	70133				PR6513	ITM	482126
PR6524	ITM	40126				PR6524	ITM	2551
PR6525	ITM	2503				PR6525	ITM	2503
PR6531	ITM	2503N				PR6531	ITM	331227H
PR6532	ITM	51322				PR6532	ITM	1173
PR6533	ITM	1173				PR6533	ITM	224820
PR6534	ITM	48X62X8!				PR6534	ITM	7751H
PR6536	ITM	472193!				PR6536	ITM	472558!
PR6539	ITM	471766!				PR6539	ITM	476574N
PR6553	ITM	471765!				PR6553	ITM	471765!
PR6557	ITM	226020				PR6557	ITM	60X80X8!
PR6571	ITM	416892!				PR6571	ITM	416892!
PR6573	ITM	415379				PR6573	ITM	415379
PR6575	ITM	473444!				PR6575	ITM	473444!
PR6576	ITM	416071				PR6576	ITM	416071
PR6577	ITM	472397!				PR6577	ITM	2443
PR6578	ITM	416153!				PR6578	ITM	252277
PR6586	ITM	417536				PR6586	ITM	417536
PR6592	ITM	1213N				PR6592	ITM	1213N
PR6594	ITM	417316!				PR6594	ITM	417316!
PR6595	ITM	8695S				PR6595	ITM	8695S
PR6610	ITM	471424!				PR6610	ITM	471424!
PR6612	ITM	472012				PR6612	ITM	472012
PR6614	ITM	416383				PR6614	ITM	416383
PR6615	ITM	1953				PR6615	ITM	1953
PR6620	ITM	42X60X7!				PR6620	ITM	42X60X7!
PR6623	ITM	376590A				PR6623	ITM	376590A
PR6625	ITM	416394				PR6625	ITM	416394
PR6627	ITM	416102				PR6627	ITM	416102
PR6629	ITM	415960				PR6629	ITM	415960
PR6630	ITM	416500				PR6630	ITM	416500
PR6631	ITM	417484!				PR6631	ITM	417484!
PR6632	ITM	412119!				PR6632	ITM	412119!
PR6634	ITM	418028				PR6634	ITM	418028
PR6637	ITM	1174				PR6637	ITM	1174
PR6640	ITM	38X52X8.5!				PR6640	ITM	38X52X8.5!
PR6644	ITM	416271!				PR6644	ITM	416271!
PR6647	ITM	2443				PR6647	ITM	2443
PR6648	ITM	471984				PR6648	ITM	471984
PR6663	ITM	343104				PR6663	ITM	343104
PR7003	ITM	415001!				PR7003	ITM	415001!
PR7004	ITM	200322				PR7004	ITM	200322
PR7006	ITM	415077				PR7006	ITM	415077
PR7008	ITM	417606				PR7008	ITM	417606
PR7014	ITM	415072				PR7014	ITM	415072
PR7016	ITM	416921!				PR7016	ITM	416921!
PR7037	ITM	450557				PR7037	ITM	450557
PR7037	ITM	471255!				PR7037	ITM	471255!
PR8004	ITM	12X30X7				PR8004	ITM	12X30X7
PR8012	ITM	14X28X6				PR8012	ITM	14X28X6
PR8015	ITM	14X35X7				PR8015	ITM	14X35X7
PR8017	ITM	15X30X7				PR8017	ITM	15X30X7
PR8018	ITM	15X32X8				PR8018	ITM	15X32X8
PR8019	ITM	15X35X7				PR8019	ITM	15X35X7
PR8024	ITM	16X30X7				PR8024	ITM	16X30X7
PR8026	ITM	16X35X7				PR8026	ITM	16X35X7
PR8031	ITM	17X30X7		</				

Zero Duplication or Recommended Industrial		Zero Duplication or Recommended Industrial		Zero Duplication or Recommended Industrial		Zero Duplication or Recommended Industrial					
Mfr. No.	Name	Mfr. No.	Name	Mfr. No.	Name	Mfr. No.	Name				
PR8047	ITM	18X40X7	PR8227	ITM	1953	PR8377	ITM	75X95X10	PR8691	ITM	476281
PR8050	ITM	221925	PR8227	ITM	42X60X7!	PR8378	ITM	227550	PR8692	ITM	416282
PR8058	ITM	20X35X7!	PR8228	ITM	224252	PR8378	ITM	75X100X12!	PR8694	ITM	417350!
PR8062	ITM	20X40X7!	PR8228	ITM	42X62X8!	PR8383	ITM	78X100X10	PR8695	ITM	453182
PR8062	ITM	222050	PR8229	ITM	224255	PR8387	ITM	228010	PR8696	ITM	415036N
PR8066	ITM	20X47X7	PR8229	ITM	42X65X10!	PR8388	ITM	228020	PR8697	ITM	415088
PR8069	ITM	20X52X7	PR8232	ITM	224270	PR8388	ITM	80X105X13!	PR8699	ITM	455019!
PR8077	ITM	22X40X7	PR8232	ITM	42X72X10!	PR8389	ITM	80X110X12	PR8700	ITM	416404!
PR8081	ITM	22X47X7	PR8238	ITM	224462	PR8397	ITM	85X110X12	PR8701	ITM	416288!
PR8086	ITM	24X40X7!	PR8238	ITM	44X62X8!	PR8399	ITM	85X120X12	PR8702	ITM	416024
PR8090	ITM	24X47X7	PR8242	ITM	224270	PR8405	ITM	229005	PR8703	ITM	417433!
PR8094	ITM	222540	PR8242	ITM	42X72X10!	PR8405	ITM	229006	PR8704	ITM	476470
PR8098	ITM	25X47X7	PR8243	ITM	224520	PR8413	ITM	95X120X12	PR8705	ITM	456305
PR8101	ITM	25X52X7!	PR8243	ITM	45X60X10!	PR8415	ITM	229520	PR8706	ITM	415023
PR8112	ITM	26X47X7	PR8245	ITM	1992	PR8415	ITM	95X130X12!	PR8707	ITM	415437
PR8113	ITM	222655	PR8246	ITM	224560	PR8416	ITM	100X120X12	PR8708	ITM	415027
PR8113	ITM	26X48X7!	PR8246	ITM	45X68X7!	PR8417	ITM	100X125X12	PR8709	ITM	417495
PR8117	ITM	222745	PR8248	ITM	224570	PR8418	ITM	100X130X12!	PR8710	ITM	415559
PR8117	ITM	27X45X8!	PR8248	ITM	45X72X12!	PR8424	ITM	105X130X12	PR8711	ITM	415035
PR8126	ITM	222860	PR8262	ITM	1187	PR8426	ITM	105X140X12	PR8712	ITM	417356!
PR8126	ITM	28X47X7!	PR8262	ITM	47X68X10!	PR8428	ITM	110X130X12	PR8713	ITM	417357
PR8129	ITM	28X52X7	PR8264	ITM	224772	PR8430	ITM	110X140X13!	PR8714	ITM	416130!
PR8130	ITM	223014	PR8265	ITM	224820	PR8430	ITM	231108	PR8715	ITM	415041
PR8132	ITM	30X47X7	PR8265	ITM	48X62X8!	PR8439	ITM	115X140X12	PR8717	ITM	415196!
PR8135	ITM	223035	PR8266	ITM	1973	PR8441	ITM	115X150X12	PR8718	ITM	416891!
PR8141	ITM	30X62X7	PR8266	ITM	48X65X10!	PR8444	ITM	120X140X13!	PR8719	ITM	415045!
PR8146	ITM	32X45X7	PR8267	ITM	224835	PR8444	ITM	717004	PR8720	ITM	416137
PR8147	ITM	223235	PR8267	ITM	48X68X10!	PR8445	ITM	120X145X12!	PR8721	ITM	415058
PR8147	ITM	32X46X6!	PR8268	ITM	1994	PR8445	ITM	231204	PR8722	ITM	327303!
PR8149	ITM	223240	PR8268	ITM	48X70X9!	PR8446	ITM	120X150X12	PR8723	ITM	417530
PR8149	ITM	32X48X8!	PR8269	ITM	48X72X7!	PR8448	ITM	120X160X12	PR8724	ITM	416892!
PR8151	ITM	223255	PR8277	ITM	225010	PR8449	ITM	125X150X12!	PR8725	ITM	416154!
PR8151	ITM	32X52X7!	PR8277	ITM	50X65X8!	PR8449	ITM	231250	PR8726	ITM	415351!
PR8152	ITM	2008	PR8278	ITM	225020	PR8451	ITM	125X160X12	PR8728	ITM	415725!
PR8154	ITM	223275	PR8278	ITM	50X68X8!	PR8455	ITM	130X160X12	PR8729	ITM	416865!
PR8154	ITM	32X56X10!	PR8279	ITM	1960	PR8456	ITM	130X170X15	PR8758	ITM	50X72X8
PR8159	ITM	223430	PR8280	ITM	50X72X8	PR8541	ITM	457294	PR8761	ITM	50X80X8
PR8159	ITM	710417	PR8283	ITM	50X80X8	PR8542	ITM	415991	PR8767	ITM	55X72X8!
PR8167	ITM	35X50X8!	PR8284	ITM	225082	PR8542	ITM	415991!	PR8770	ITM	55X80X8
PR8167	ITM	3771	PR8288	ITM	1884	PR8544	ITM	417349!	PR8771	ITM	55X82X12!
PR8168	ITM	223535	PR8288	ITM	52X68X8!	PR8592	ITM	125X150X12!	PR8772	ITM	55X85X10
PR8170	ITM	223542	PR8290	ITM	225230	PR8592	ITM	231250	PR8778	ITM	226020
PR8170	ITM	35X55X11!	PR8290	ITM	52X72X8!	PR8594	ITM	231404	PR8778	ITM	60X80X8!
PR8171	ITM	223543!	PR8297	ITM	55X72X8!	PR8605	ITM	220X250X15	PR8780	ITM	60X85X8
PR8171	ITM	35X56X10!	PR8300	ITM	55X80X8	PR8657	ITM	471870!	PR8789	ITM	65X85X10
PR8174	ITM	35X62X7!	PR8301	ITM	55X82X12!	PR8658	ITM	472492!	PR8791	ITM	65X90X10!
PR8176	ITM	223580	PR8302	ITM	55X85X10	PR8659	ITM	472924!	PR8793	ITM	65X100X10
PR8182	ITM	223605	PR8315	ITM	225875	PR8660	ITM	472397!	PR8798	ITM	227020
PR8182	ITM	36X50X7!	PR8315	ITM	58X75X11!	PR8661	ITM	473242	PR8798	ITM	70X88X8!
PR8184	ITM	223610	PR8317	ITM	58X80X8	PR8662	ITM	412027	PR8799	ITM	227045
PR8184	ITM	710197!	PR8322	ITM	60X75X8	PR8663	ITM	410102	PR8800	ITM	70X95X13
PR8185	ITM	2003N!	PR8324	ITM	226020	PR8665	ITM	487945	PR8801	ITM	70X100X13
PR8190	ITM	710057	PR8324	ITM	60X80X8!	PR8667	ITM	55524	PR8805	ITM	75X95X10
PR8191	ITM	223620	PR8325	ITM	2001	PR8669	ITM	473473	PR8806	ITM	227550
PR8194	ITM	1174	PR8325	ITM	60X82X12!	PR8670	ITM	471138!	PR8806	ITM	75X100X12!
PR8194	ITM	38X52X8.5!	PR8326	ITM	60X85X8	PR8671	ITM	472636!	PR8810	ITM	228020
PR8196	ITM	223830	PR8336	ITM	226285	PR8672	ITM	412920!	PR8810	ITM	80X105X13!
PR8196	ITM	38X55X7!	PR8336	ITM	62X85X8!	PR8674	ITM	415234!	PR8811	ITM	80X110X12
PR8198	ITM	223840	PR8338	ITM	62X90X10	PR8675	ITM	415259!	PR8819	ITM	90X120X12
PR8198	ITM	38X58X8!	PR8349	ITM	65X85X10	PR8676	ITM	55337	PR8824	ITM	100X120X12
PR8200	ITM	38X62X7	PR8351	ITM	65X90X10!	PR8677	ITM	472029	PR8825	ITM	100X125X12
PR8201	ITM	1176	PR8353	ITM	65X100X10	PR8678	ITM	470605!	PR8826	ITM	100X130X12!
PR8208	ITM	1213N	PR8360	ITM	68X90X10	PR8679	ITM	415449!	PR8830	ITM	110X140X13!
PR8209	ITM	224020	PR8362	ITM	68X100X13	PR8680	ITM	416273	PR8830	ITM	231108
PR8209	ITM	40X55X8!	PR8364	ITM	227020	PR8681	ITM	455079!	PR8834	ITM	115X140X12
PR8210	ITM	224025	PR8364	ITM	70X88X8!	PR8682	ITM	415082	PR8840	ITM	125X160X12
PR8212	ITM	224040	PR8365	ITM	227040	PR8683	ITM	455655!	PR9003	ITM	223035
PR8212	ITM	40X60X10!	PR8365	ITM	70X90X10!	PR8684	ITM	355732	PR9004	ITM	35X62X7!
PR8213	ITM	224045	PR8366	ITM	70X95X13	PR8686	ITM	416664!	PR9005	ITM	224020
PR8213	ITM	40X62X12!	PR8367	ITM	70X100X13	PR8687	ITM	415984!	PR9005	ITM	40X55X8!
PR8218	ITM	712011	PR8372	ITM	72X95X10	PR8688	ITM	417316!	PR9006	ITM	224025
PR8225	ITM	494117	PR8373	ITM	72X100X12	PR8690	ITM	416706!	PR9008	ITM	224040

! Industrial Size/Type

Zero Duplication or Recommended		Zero Duplication or Recommended		Zero Duplication or Recommended		Zero Duplication or Recommended	
Mfr. No.	Name	Mfr. No.	Name	Mfr. No.	Name	Mfr. No.	Name
PR9008	ITM 40X60X10!	PSF24671	B-L-H 473313	R19974	GAL 415379	R5003	WILSO 455019!
PR9009	ITM 224045	PSF24672	B-L-H 470530!	R19974	GAL 415379!	R500316	WILSO 415027!
PR9009	ITM 40X62X12!	PSI50851	WABCO 240009	R19987	GAL 417247!	R500316	WILSO 415027
PR9021	ITM 224520	PSK1	TIMKE PSK-1	R1X817	CATER 455944=	R50032	WILSO 415021
PR9021	ITM 45X60X10!	PT7523	JOHND 471760	R2001	WILSO 471760	R500324	WILSO 416339
PR9022	ITM 1012	PT7524	JOHND 471643!	R20080	BTM 470334!	R500324	WILSO 455031!
PR9022	ITM 1012N	PTA122	F-R-H 481864	R20798	CASE 417621!	R500330	WILSO 415034!
PR9022	ITM 45X62X8!	PTS913	AT SU 473215!	R20869	BTM 473229	R50036	WILSO 455022
PR9023	ITM 1992	PX6060742	CATER 415284	R20894	BTM 471466!	R50038	WILSO 415023
PR9023	ITM 45X65X8!	PXS47	COC 470898!	R20965	BTM 5778	R5004	WILSO 415035!
PR9024	ITM 224560	PXS89	COC 240356	R21017	BTM 471413	R5004	WILSO 415035
PR9024	ITM 45X68X7!	PY623	GRAY 471553!	R21050	BTM 40576S	R5504	WILSO 415036
PR9026	ITM 224570	Q00688033	GMC J1113	R21164	BTM 40566S	R550412	WILSO 415196!
PR9026	ITM 45X72X12!	Q27958	JOHND 415988	R21263	BTM 472311!	R550416	WILSO 416888!
PR9032	ITM 225010	Q27958K	JOHND 415988	R21466	CASE 417349=	R55048	WILSO 416891!
PR9032	ITM 50X65X8!	Q28735	JOHND 471870!	R21483	CASE 472636=	R575416	WILSO 416892!
PR9033	ITM 225020	QM1333	DEVIL 470712!	R22209	GAL 415001!	R575424	WILSO 415138!
PR9033	ITM 50X68X8!	QR631	BUC-E 471570!	R22518	WILSO 45016S	R600L-204	CONTI 417344!
PR9034	ITM 1960	QS100	DEVIL 451583!	R22518	WILSO 471801!	R600L-293	CONTI 471466!
PR9035	ITM 50X72X8	QS141	DEVIL 471526!	R23024	B-L-H 55301S	R600S-247	CONTI 330385!
PR9038	ITM 50X80X8	QS186	DEVIL 471442!	R23437	CONTI 471868	R625416	WILSO 415351!
PR9043	ITM 473227!	QS187	DEVIL 471472!	R24226	GAL 416654!	R625430	WILSO 417273
PR9044	ITM 470625!	QX22260	JOHND 240319	R24752	US-EL 415498	R6542Z	WITTE 416921!
PR9045	ITM 470380!	QX34751B	JOHND 472636!	R250116	WILSO 473228	R675516	WILSO 416107!
PR9045	ITM 472189A!	QX38201	JOHND 418028	R262124	WILSO 472185!	R675516	WILSO 455073
PR9046	ITM 473228!	QX38201	JOHND 455137!	R27347	GAL 473405	R68201	JOHND JV1140=
PR9047	ITM 451857	QX52280	JOHND 413246	R3002	WILSO 472397!	R70453	JOHND JV1132=
PR9048	ITM 473440!	QX52281	JOHND 473466	R3024	B-L-H 55301S	R74485	JOHND JX1141
PR9049	ITM 450523	QX52282	JOHND 471760	R304	IRON 471354!	R746D	JOHND 471737
PR9050	ITM 471958	QX62779	JOHND 474274	R30HH102	DANA 416865!	R75056	JOHND 712251
PR9052	ITM 471424!	QX72410	JOHND 473229!	R31324	WILSO 472016	R7506	WILSO 415072
PR9053	ITM 471870!	R-100495-VAR	SPG 4810V	R31440	JOHND 412473!	R7509DN	JOHND 471766
PR9054	ITM 472492!	R-100495-VAR	SPG 714810	R319124	WILSO 470088	R78048TA	SPG 78048
PR9055	ITM 472924!	R-4810-VA1	SPG 4810V!	R323324VG	SPG 3476V	R7X6048	CATER 485725H=
PR9056	ITM 470530!	R-84114	JOHND J1396	R32349	CASE 417601	R800616	WILSO 416229
PR9057	ITM 473242	R100263VAR	SPG 100263	R33214	GAL 471354!	R8592	LETN 472179
PR9058	ITM 412027	R100263VAR	SPG 4562V	R33338	JOHND 473227!	R86374	WILSO 416077
PR9059	ITM 410102	R100494VAR	SPG 100494	R33338R	JOHND 473227!	R8643	LETN 450269
PR9061	ITM 487945	R100494VAR	SPG 476470	R33339R	JOHND 473227!	R88597	JOHND J1121
PR9063	ITM 55524	R100495VAR335	SPG 100495	R33340	JOHND 416404!	R888712	WILSO 455117
PS105	OLIVE 471692!	R100557VAR	SPG 100557	R335212	WILSO 412119!	R901716	WILSO 415551
PS212	MASSE 471835!	R100557VAR	SPG 4544V	R33528	WILSO 411253!	R945001	ROCKW 100494
PS22123	C-P 471472!	R100731VA8	SPG 100731V	R33543	GAL 415007	R945002	ROCKW 100495
PS2216	C-P 472492!	R1069	ROL 25598	R33578R	JOHND 471866=	R945003	ROCKW 100263
PS25310	C-P 474281!	R1075824	WILSO 415128	R33587R	JOHND 240007=	R945004	ROCKW 100557
PS25311	C-P 470530!	R10778	GAL 455024	R34650	JOHND 471413!	RA14755	PETTI 40555
PS25312	C-P 472157!	R10779	GAL 416339	R354216	WILSO 415001!	RA14755	PETTI 40555S!
PS25313	C-P 472636!	R10779	GAL 455031!	R35735	JOHND 416332!	RA1500	AUTDP BS40380
PS25314	C-P 474281!	R1080	WILSO 417602!	R35735R	JOHND 416332!	RA1505	AUTDP BS40509
PS2532	C-P 415041	R11076	GAL 470059	R35738	JOHND 240356	RA1507	AUTDP BS40380
PS2534	C-P 471271!	R11076	GAL 470380!	R35738R	JOHND 340356	RA1511	AUTDP BS40509
PS2535	C-P 415995!	R11077	GAL 470088	R35798R	JOHND 470380!	RA17424	PETTI 42352S
PS2536	C-P 471554!	R1138R	JOHND 425RR	R362220	WILSO 415458!	RA17455	PETTI 40555
PS2537	C-P 471570!	R11560	GAL 416476!	R36423	JOHND 476470	RA17455	PETTI 40555S!
PS2538	C-P 330385!	R115916	WILSO 417606	R37410	JOHND 417343!	RA2277310	TW-DI 476470
PS2539	C-P 450593!	R1251016	WILSO 415227!	R37410R	JOHND 417343!	RA2277310	TW-DI 476470!
PS462	C-P 415072	R13881	CASE 470898	R375224	WILSO 417316!	RA47115	JOHND JX1967
PS4621	C-P 471554!	R14090	GAL 417269!	R4003	WILSO 415995!	RC07004	FUNK 471192
PS46211	C-P 471466!	R14132	GAL 472012	R4253	WILSO 417487	RC446	GRAY 417191
PS46212	C-P 480630!	R14133	GAL 415449!	R42532	WILSO 455015	RC446	GRAY 456585
PS46213	C-P 416865!	R14134	GAL 417356!	R42536	WILSO 456105	RCF7168	MASSE 427RR
PS46214	C-P 415072	R14134	GAL 455188	R42538	WILSO 476470	RCF7206	FUNK 340724!
PS46215	C-P 471538!	R14189	GAL 417538	R434	FULLE 455134!	RCF7228	MASSE 421
PS4622	C-P 471570!	R14190	GAL 415938	R4373	WILSO 417488!	RCO7004	FUNK 471192
PS4623	C-P 450593!	R15028	WILSO 471570!	R44176	JOHND JV1378=	RCP71164	FUNK 450375!
PS4624	C-P 416239!	R16287	CASE 470059	R44508	FORD 471354!	RCP71164	FUNK 6936S!
PS4625	C-P 471766!	R16287	CASE 470380!	R44508	WOODB 471354!	RCP71164	FUNK 9845
PS4626	C-P 471255!	R18438	GAL 415072	R450316	WILSO 415991	RCS312	STDRL 82012
PS4628	C-P 415035	R18462	GAL 472179	R450316	WILSO 455146!	RCS405A	STDRL 82016
PS4628	C-P 415035	R1960	ROCKE 2900	R45406	JOHND J1126	RCS508	STDRL 82005
PS4628	C-P 415035	R1961	ROCKE 2900	R462	FULLE 416654!	RCS509	STDRL 82027
PS4629	C-P 471413!	R19970	GAL 411376!	R481386VAR	SPG 481386V	RCS510	STDRL 82003

! Industrial Size/Type = Call 1-800-480-1212 for price and delivery.

ALPHABETICAL

Zero Duplication or Recommended		Zero Duplication or Recommended		Zero Duplication or Recommended		Zero Duplication or Recommended		
Mfr. No.	Name	Mfr. No.	Name	Mfr. No.	Name	Mfr. No.	Name	
RCS511	STDRL	82011	RF5800 GUY	471272!	RO5118 MASSE	412943	RT5756 BU-SP	471192
RCS512	STDRL	82015	RF5801 GUY	471271!	RO5118A MASSE	412943	RT6000A-51 BL-KN	472179
RCS706A	STDRL	82022	RF5866 GUY	471272!	RO5119A MASSE	472439	RT6000A-52 BL-KN	473460
RCS802	STDRL	82017	RF8619 GUY	472164!	RO5121A MASSE	417554!	RT6076 BL-KN	472179
RCS804	STDRL	82024	RF8628 GUY	470898	RO5188A MASSE	412943	RT6223 BL-KN	473215!
RD2000	WMG	CQ2000=	RF8660 GUY	473179!	RO5519A MASSE	472439	RT6224 BL-KN	473236!
RD325	NATL	RD311	RF8945 GUY	472150	ROLL2X LK-BT	471689!	RT7330 BL-KN	413247!
RD33266	GAL	474281!	RH1500 ROCK	82003	ROO83041 FWD	471646!	RT7412 BL-KN	470530!
RD41543	GAL	473232	RH1501 ROCK	82005	RP5087 ITM	473229!	RT7413 BL-KN	472179
RD41544	GAL	471344!	RH1505 ROCK	82011	RQ00366 READY	473473	RT908 MINNM	473225!
RD46540	GAL	416706!	RH1507 ROCK	82001	RQ88222 READY	471763	RTB3920 GACO	470088
RD49164	GAL	417604	RL6491 HART	471554!	RQ88302 READY	473473	RTL366 FAIRB	473228
RD49243	GAL	455356	RL8360 CASE	473231	RQ92993 READY	471763	RW507 FED	353120
RD50	UNIVE	472636!	RM14610 HEIL	417538	RS001 EGDYN	82003	RW507D850 GMC	5458 \$
RD51	UNIVE	473211!	RM14611 HEIL	416229	RS002 EGDYN	82011	RW507E850 GMC	5458 \$
RD52688	GAL	415449!	RM14612 HEIL	473010!	RS003 EGDYN	82001	RW509 FED	6957 =
RD52761	GAL	418028	RM14613 HEIL	471442!	RS004 EGDYN	82005	RW509850 GMC	5589 \$
RD52761	GAL	455137!	RM14614 HEIL	472560N!	RS006 EGDYN	82016	RW607 FED	6971S =
RD53870	AMC	351487	RM14619 HEIL	412119!	RS012 EGDYN	BS25035	RW707 GMC	5573 \$
RD54429	AMC	473367!	RM14620 HEIL	416476!	RS014 EGDYN	82017	RW713 HYST	5573 \$
RD54429	AMC	473367!	RM14621 HEIL	455197N	RS015 EGDYN	82022	RX1582 OLIVE	471766!
RD55363	GAL	415150!	RM14622 HEIL	471766!	RS016 EGDYN	82024	RX1583 OLIVE	471424!
RD55426	GAL	416288!	RM14624 HEIL	415088	RS019 EGDYN	82001	RX19279 GMC	471554!
RD56	UNIVE	471762!	RM14624 HEIL	415088!	RS028 EGDYN	82015	RX44183 JOHND	415142
RE-13181	JOHND	417344!	RM14627 HEIL	471554!	RS030 EGDYN	82012	RX44565 JOHND	415995!
RE-14439	JOHND	3173	RM1463 HEIL	416271!	RS29025 ROLRL	82003	RX45715 JOHND	472157
RE11036	JOHND	39952	RM14631 HEIL	471442!	RS29030 ROLRL	82005	RX45715 JOHND	472157!
RE13310	JOHND	39956	RM14632 HEIL	416345!	RS29040 ROLRL	82016	RX45933 JOHND	471554!
RE1537	FUNK	416154!	RM14632 HEIL	455033	RS29070 ROLRL	82017	RX45951 JOHND	471554!
RE158082+100558	VDR SPG	100558	RM14633 HEIL	416865!	RS29075 ROLRL	82024	RZL12 AM CA	480630!
RE158897	JOHND	412119	RM1464 HEIL	416107!	RS29085 ROL	BS40110	S-0283343 IH	417967!
RE17352	JOHND	39954	RM1464 HEIL	455073	RS29085 ROLRL	82012	S00506 GR-RP	470380!
RE22764	JOHND	39954	RM14642 HEIL	473462	RS29095 ROLRL	82022	S02047 CARDX	471191
RE24959	JOHND	39952	RM1466 HEIL	415072	RS29130 ROLRL	82015	S02047 CARDX	455165!
RE35885	GMC	39952	RM14671 HEIL	415001!	RS29140 ROL	BS15868	S100 EIMCO	240731
RE53687	JOHND	997101	RM1468 HEIL	417357	RS29140 ROLRL	82011	S101 EIMCO	471224!
RE54073	JOHND	997100	RM1468 HEIL	455192!	RS29145 ROLRL	82027	S102 EIMCO	340724!
RES3905	CONTI	415025	RM1469 HEIL	471231!	RS29185 ROL	BS16144	S1042KH Y-T	5119
RF10513	GUY	410987!	RM14692 HEIL	472636!	RS29200 ROL	BS27493	S1050 EIMCO	471442!
RF10513	GUY	450686	RM146A15 HEIL	470774!	RS29250 ROL	BS40265	S106 EL-MO	471231!
RF10624	GUY	415449!	RM146A173 HEIL	473467	RS29260 ROL	BS40387	S1072 C-W	416476!
RF10676	GUY	415035	RM146A189 HEIL	471466!	RS29265 ROL	BS40268	S1072 WOOL	416476!
RF14519	GUY	473214	RM146A194 HEIL	417316!	RS29270 ROL	BS40381	S107211035 WOOL	416476!
RF15232	GUY	417492	RM146A2 HEIL	416888!	RS29275 ROL	BS40380	S1077 EIMCO	470954!
RF16207	GUY	417247!	RM146A202 HEIL	415076	RS29275 ROLRL	82001	S1089 EIMCO	471795
RF16292	GUY	416135!	RM146A29 HEIL	417562	RS29295 ROL	BS5048	S109 EIMCO	471651
RF17920	GUY	473179!	RM146A34 HEIL	473234	RS29360 ROLRL	82016	S110 EIMCO	476838!
RF18517	GUY	415995!	RM146A344 HEIL	416891!	RS29365 ROL	BS40252	S110 MACK	323138!
RF18800	GUY	470898	RM146A346 HEIL	470625!	RS29450 ROL	BS40396	S1101 EIMCO	473228!
RF193	IRON	473238	RM146A390 HEIL	471554	RS29480 ROL	BS40592	S111 EIMCO	471652
RF19620	GUY	417349	RM146A8 HEIL	417357	RS29480 ROLRL	82021	S1140 EIMCO	473239!
RF20382	GUY	471689!	RM146A8 HEIL	455192!	RS29490 ROL	16267	S115 EIMCO	473427
RF20691	GUY	471820	RM146A92 HEIL	472636!	RS29550 ROL	BS40620	S1160 EIMCO	473242
RF20795	GUY	415995!	RM1612 MUSKE	BS40620	RS29630 ROL	BS40535	S1180 LETN	417562
RF20882	GUY	415458!	RM523 MUSKE	BS40380	RS29640 ROL	BS40667	S119 EIMCO	474281!
RF23395	GUY	472439	RM552 MUSKE	BS40110	RS29690 ROL	BS40578	S1200 EIMCO	473243
RF24187	GUY	471766!	RM553 MUSKE	BS40110	RS7004 BESTV	BS40380	S121 EIMCO	473205
RF2523	GUY	471316	RM557 MUSKE	BS40396	RS7006 BESTV	BS15868	S123 GRAY	473438
RF2913	GUY	472012	RM611 MUSKE	BS15868	RS7007 BESTV	BS40110	S124 EIMCO	471413!
RF2921	GUY	473214	RM663 MUSKE	BS1280	RT100S27 SHOVS	415284	S125 EIMCO	471766!
RF2922	GUY	472015!	RM688 MUSKE	BS5155	RT1027 MASSE	415284	S1251 EIMCO	410752
RF2925	GUY	472164!	RO-21 ATP	223830	RT153 MINNM	473213!	S126 EL-MO	471950
RF2932	GUY	415991	RO-21 ATP	223831	RT3718 BL-KN	472179	S1275 EIMCO	416664!
RF2932	GUY	455146!	RO-27 ATP	223540	RT3719 BL-KN	416738!	S128 EIMCO	471808!
RF2956	GUY	415995!	RO-28 ATP	223830	RT3719 BL-KN	450096	S128 EL-MO	J1127
RF3702	GUY	471760	RO-29 ATP	1175	RT450B TRANG	473215!	S129 EIMCO	474254!
RF3932	GUY	415991	RO-4 ATP	223520	RT502A TRANG	472409!	S129 EL-MO	473233!
RF3932	GUY	455146!	RO1 ATP	473445	RT513547 TRANG	415498	S130 EIMCO	450341
RF4018	GUY	473440!	RO2358 MASSE	471733	RT514D TRANG	472636!	S1301 EIMCO	415995!
RF5409	GUY	471466!	RO2364 MASSE	474276!	RT525B TRANG	472157!	S131 EIMCO	473423
RF5410	GUY	471442!	RO5109A MASSE	416107!	RT525B TRANG	472157	S1311 EIMCO	416404!
RF5613	GUY	416664!	RO5109A MASSE	455073	RT5317 BL-KN	470530!	S1313 EIMCO	417621!

! Industrial Size/Type \$F-M Number Is Part Of A Kit = Call 1-800-480-1212 for price and delivery.

Zero Duplication or Recommended		Zero Duplication or Recommended		Zero Duplication or Recommended		Zero Duplication or Recommended		
Mfr. No.	Name	Mfr. No.	Name	Mfr. No.	Name	Mfr. No.	Name	
S1314	EIMCO	416288	S16136	CUMMI	472826!	S208	EIMCO	470898!
S133	EIMCO	417621!	S16138	CUMMI	471570!	S213	EIMCO	472015!
S134	MACK	472636!	S16140	CUMMI	471765!	S214	EIMCO	472016
S1350	EIMCO	415437	S16141	CUMMI	471354!	S2140	EIMCO	471466!
S137	EIMCO	472258!	S16142	CUMMI	472409	S215	EIMCO	413469!
S137	EL-MO	J1111	S16143	CUMMI	415449!	S2166	MIXMO	473367!
S1386	EIMCO	417211!	S16147	CUMMI	472185!	S2166	MIXMO	473367
S139	EIMCO	473215!	S16148	CUMMI	471316!	S217	EIMCO	55087 =
S140	EIMCO	473446	S16149	CUMMI	473010!	S2177	EIMCO	472185!
S140	EL-MO	473445	S16150	CUMMI	330385	S218	EIMCO	472234
S14048	KELSE	6064	S16151	FMC	415449!	S219	EIMCO	472018
S141	EIMCO	473197	S16152	CUMMI	473245!	S220	EIMCO	473245!
S142	EIMCO	413469!	S16153	CUMMI	473016!	S2202	EIMCO	472924!
S142	EL-MO	473228!	S16154	CUMMI	471785!	S2204	GMC	471413!
S143	EIMCO	473016!	S16155	CUMMI	472705!	S2213	EIMCO	472015!
S145	EIMCO	473226	S16157	CUMMI	330385	S2225	EIMCO	411376!
S146	EIMCO	450621	S16158	CUMMI	471529	S223	EIMCO	471341!
S147	EIMCO	473439!	S16159	CUMMI	55155 =	S225	EIMCO	472636!
S148	EIMCO	474276	S16161	CUMMI	471571	S228	EIMCO	415234!
S150	EIMCO	473227	S1617	GR-RP	471267!	S2293	EIMCO	416654
S15088	NOVO	450129	S162	EIMCO	473367	S2298	LETN	455026
S15088	NOVO	472826!	S162	EIMCO	473367!	S2299	LETN	417269!
S15089	NOVO	415995!	S16216	WABCO	415027*	S2300	EIMCO	415995!
S151	EIMCO	470059	S163	EIMCO	473228	S2383	LETN	416167!
S151	EIMCO	470380!	S1631	FMC	471192	S2384	LETN	417171!
S15171	LETN	473367!	S164	EIMCO	352541	S2385	LETN	457874
S15171	LETN	473367	S1642	GR-RP	471808!	S2386	LETN	417539!
S153	EIMCO	240319	S165	EIMCO	450275	S2388	EIMCO	415034!
S154	EIMCO	473458!	S167	EIMCO	473232	S244	CONST	471887
S15415	C-P	471354!	S1699	GR-RP	481163!	S250	EIMCO	411245!
S15485	NOVO	473016!	S1700	GR-RP	472397!	S2500	EIMCO	415725!
S155	EIMCO	450326	S1715	LETN	450273	S253	EIMCO	471271!
S1550	EIMCO	416107!	S176	EIMCO	472164!	S254	EIMCO	415001!
S156	EIMCO	416892!	S1765	WOOL	415047	S255	EIMCO	40555
S15804485A000	EMRSN	471549!	S177	EIMCO	471141!	S255	EIMCO	40555S!
S160	EIMCO	473229	S178	EIMCO	473448	S2580	MIXMO	473446
S161	EIMCO	415294!	S179	EIMCO	42352S	S2601	EIMCO	471554!
S16100	CUMMI	471224!	S1796	CUMMI	473367!	S2601	LETN	471192
S16101	CUMMI	471766!	S1800	CUMMI	470530!	S2603	LETN	417512
S16103	CUMMI	471192	S1805F162	CUMMI	417487!	S2604	EIMCO	473215!
S16106	CUMMI	471103!	S1805F162	CUMMI	417487	S2604	LETN	412943
S16106	FMC	415138!	S181	EIMCO	473450	S2610	EIMCO	471224!
S16106	TRANG	415138!	S184	EIMCO	473451!	S2611	EIMCO	471413
S16108	CUMMI	476838!	S185	EIMCO	473239	S2615	MIXMO	473467
S16109	CUMMI	417621	S1855	CUMMI	415060	S2616	EIMCO	6309 =
S16110	CUMMI	472924!	S1855	CUMMI	455060	S2617	MIXMO	472572!
S16111	CUMMI	471649!	S186	EIMCO	473240!	S2621	EIMCO	472636!
S16113	CUMMI	473458!	S187	EIMCO	410524	S2625	EIMCO	240736
S16114	CUMMI	416654!	S188	EIMCO	473238	S263	CONST	416239!
S16115	CUMMI	470059	S189	LETN	415025	S263	EIMCO	415483!
S16115	CUMMI	470380!	S190	LETN	455406!	S265	CONST	473444
S16116	CUMMI	472409	S1918	CUMMI	471466!	S265	EIMCO	417082
S16118	CUMMI	472636!	S197	EIMCO	50528	S2655	EIMCO	415447
S16119	CUMMI	473464	S199	EIMCO	352541	S2660	MIXMO	471763
S16119	CUMMI	473464!	S200	EIMCO	472492!	S2677	MIXMO	450177
S16120	CUMMI	470059	S2002	CUMMI	473215!	S268	EIMCO	455151
S16120	CUMMI	470380!	S2013	LUF	471766!	S2684D	JOHND	473179!
S16121	CUMMI	470950!	S202	EIMCO	472924!	S2786	MIXMO	474274
S16121	CUMMI	6241S	S2021	LUF	472185!	S279	EIMCO	415303!
S16122	CUMMI	471744!	S2025	LUF	471870!	S280	EIMCO	417316!
S16123	CUMMI	470712!	S2027B	LUF	471341!	S281	EIMCO	417484!
S16124	CUMMI	411253!	S2032	LUF	416654!	S2819	MIXMO	481163!
S16125	CUMMI	473232	S2035	LUF	476470!	S2828	MIXMO	470328
S16126	CUMMI	473214!	S2035	LUF	476470	S2828	MIXMO	481213!
S16127	CUMMI	473228	S2049	CUMMI	470334!	S284	EIMCO	475384
S16128	CUMMI	471829	S2049A	LUF	417541	S2852	MIXMO	472164!
S16129	CUMMI	471820	S205	EIMCO	473242	S287	EIMCO	417344!
S16130	CUMMI	415458!	S2057	IG-RA	470712!	S288	EIMCO	455310
S16132	FMC	470898!	S206	EIMCO	410102	S289	EIMCO	416921!
S16134	CUMMI	330385	S2065	TRANG	415138!	S290	EIMCO	455144
S16135	CUMMI	472287!	S207	EIMCO	416738!	S2901	MIXMO	352541
S16136	CUMMI	450129	S207	EIMCO	450096	S293	EIMCO	416654!
S300	EIMCO	417350!	S301	EIMCO	415995!	S3013G	REPUB	471267!
S301	EIMCO	415995!	S3014G	REPUB	472560N!	S3015G	REPUB	471413!
S3013G	REPUB	471267!	S3016G	REPUB	471466!	S3017G	REPUB	472560N
S3014G	REPUB	472560N!	S3017G	REPUB	472560N	S3019	MIXMO	471271!
S3015G	REPUB	471413!	S302	EIMCO	417351!	S302	EIMCO	417351!
S3016G	REPUB	471466!	S3023G	REPUB	471267!	S3024C	REPUB	474278
S3017G	REPUB	472560N	S3024C	REPUB	6859S	S3026F	REPUB	470954
S3019	MIXMO	471271!	S3026F	REPUB	470954	S3027C	REPUB	7188S
S302	EIMCO	417351!	S3027C	REPUB	470954	S3029C	REPUB	470954
S3023G	REPUB	471267!	S3031C	REPUB	471538	S3036C	REPUB	474278
S3024C	REPUB	474278	S3036C	REPUB	6859S	S3039G	REPUB	7013S
S3024C	REPUB	6859S	S3039G	REPUB	7013S	S304	EIMCO	417487
S3026F	REPUB	470954	S304	EIMCO	417487	S3041G	REPUB	8059S
S3027C	REPUB	7188S	S306	EIMCO	55548	S306	EIMCO	55548
S3029C	REPUB	470954	S310	CONST	472185!	S310	CONST	472185!
S3031C	REPUB	471538	S312	EIMCO	416404!	S312	EIMCO	416404!
S3036C	REPUB	474278	S313	EIMCO	417621!	S313	EIMCO	417621!
S3036C	REPUB	6859S	S314	EIMCO	416288!	S314	EIMCO	416288!
S3039G	REPUB	7013S	S315	EIMCO	55386	S315	EIMCO	55386
S304	EIMCO	417487	S319	EIMCO	417490	S319	EIMCO	417490
S3041G	REPUB	8059S	S3208	MIXMO	416345!	S3208	MIXMO	455033
S306	EIMCO	55548	S3208	MIXMO	455033	S3216	MIXMO	415041
S310	CONST	472185!	S3216	MIXMO	415041	S3246	MIXMO	417546!
S312	EIMCO	416404!	S3246	MIXMO	417546!	S325	EIMCO	476470
S313	EIMCO	417621!	S325	EIMCO	476470	S3254	MIXMO	455079!
S314	EIMCO	416288!	S3254	MIXMO	455079!	S3276	MIXMO	416282
S315	EIMCO	55386	S3276	MIXMO	416282	S328	EIMCO	415023
S319	EIMCO	417490	S328	EIMCO	415023	S329	EIMCO	415023
S3208	MIXMO	416345!	S329	EIMCO	415023	S336	EIMCO	415442!
S3208	MIXMO	455033	S336	EIMCO	415442!	S336	EIMCO	55442
S3216	MIXMO	415041	S336	EIMCO	55442	S338	EIMCO	417191
S3246	MIXMO	417546!	S338	EIMCO	417191	S338	EIMCO	455165!
S325	EIMCO	476470	S338	EIMCO	455165!	S339	EIMCO	455249!
S3254	MIXMO	455079!	S339	EIMCO	455249!	S340	ELGIN	223340
S3276	MIXMO	416282	S340	ELGIN	223340	S350	EIMCO	415437
S328	EIMCO	415023	S350	EIMCO	415437	S360	EIMCO	415991
S329	EIMCO	415023	S360	EIMCO	415991	S360	EIMCO	455146!
S336	EIMCO	415442!	S3621	CARDX	417191	S3621	CARDX	417191
S336	EIMCO	55442	S3621	CARDX	455165!	S363	EIMCO	415937!
S338	EIMCO	417191	S363	EIMCO	415937!	S3637	EIMCO	J1355 =
S338	EIMCO	455165!	S3637	EIMCO	J1355 =	S366	EIMCO	415379
S339	EIMCO	455249!	S366	EIMCO	415379	S366	EIMCO	415379!
S340	ELGIN	223340	S366	EIMCO	415379!	S3665	EIMCO	J1117
S350	EIMCO	415437	S3665	EIMCO	J1117	S3679	MIXMO	473367!
S360	EIMCO	415991	S3679	MIXMO	473367!	S3679	MIXMO	473367
S360	EIMCO	455146!	S3679	MIXMO	473367	S3680	MIXMO	415437
S3621	CARDX	417191	S3680	MIXMO	415437	S380	EIMCO	415958
S3621	CARDX	455165!	S380	EIMCO	415958	S380	EIMCO	415958!
S363	EIMCO	415937!	S380	EIMCO	415958!	S381-26-157	VILA	710150
S3637	EIMCO	J1355 =	S381-26-157	VILA	710150	S390	EIMCO	415034!
S366	EIMCO	415379	S390	EIMCO	415034!	S400	CLOYE	223400
S366	EIMCO	415379!	S400	CLOYE	223400	S400	ELGIN	223400
S3665	EIMCO	J1117	S401	EIMCO	417356!	S401	EIMCO	455188
S3679	MIXMO	473367!	S401</					

Zero Duplication or Recommended		Zero Duplication or Recommended		Zero Duplication or Recommended		Zero Duplication or Recommended		
Mfr. No.	Name	Mfr. No.	Name	Mfr. No.	Name	Mfr. No.	Name	
SE-47	CTD	410102	SK20883 CLARK	473245!	SKH47752 SPICE	45637S	SL6051 LETN	417602!
SE-48	CTD	415088	SK2187 GMC	415284	SKH52164 SPICE	417621!	SL9351 CATER	472287!
SE-54	CTD	416149	SK25899 CLARK	471276	SKH53119 SPICE	418029!	SM0454 NATEN	417539!
SE-56	CTD	417147	SK25906 CLARK	472164!	SKH53422 SPICE	471549!	SM1636 NATEN	417543
SE-57	CTD	204506*	SK25910 CLARK	473197	SKH54128 SPICE	418029!	SM7101 MC-NO	471344
SE-58	CTD	46997S	SK25911 CLARK	471466!	SKL1667355 GE	473445	SM93 PETTI	473010!
SE-59	CTD	412725	SK27234 SPICE	472572!	SKN1800047 SPICE	471504!	SM95 PETTI	415483!
SE-61	CTD	254270	SK27319 CLARK	415349=	SKN1800048 SPICE	416865!	SMA220 VIC	471413=
SE-62	CTD	470460*=	SK28389 CLARK	471267!	SKS351106 HYST	417537	SMA262 SPICE	476470=
SE-63	CTD	473473*	SK31097 CLARK	471281!	SKS52245 HYST	5705*=	SN4388 GMC	415137!
SE-64	CTD	204013	SK31284 CLARK	472572!	SKT1301854 SPICE	473235!	SN4388 GMC	418028
SE-65	CTD	204020	SK35895 CLARK	417433=	SKT22273 GMC	418028	SN4415 VIC	417316!
SE1000008	AM BO	305364	SK3880 CHRYS	471271!	SKT22273 GMC	455137!	SN6653 GMC	5406
SE1015	AM BO	471765	SK4328 CLARK	472287!	SKT22273 SPICE	418028	SN6933 GMC	470898
SE3013	AM BO	350156	SK4412 CLARK	474254!	SKT22273 SPICE	455137!	SN6955 GMC	353141!
SE3013	AM BO	473096	SK4514 CLARK	473010!	SKT22419 SPICE	472015!	SN9693 GMC	472394
SF1707	LETN	417520	SK4572 CLARK	471744!	SKT22844 SPICE	471617!	SO1 ATP	7442H
SF1707	WABCO	417520	SK4739 CLARK	415995!	SKT23217 SPICE	473228	SO2 ATP	342805
SF17073	LETN	417520	SK4769 CLARK	415991	SKT24088 SPICE	415995!	SP-35702 SHO	415437
SF1708	LETN	415645!	SK4769 CLARK	455146!	SKT24089 SPICE	417484!	SP-35702 SHO	415437!
SF1708	LETN	455104	SK4834 CLARK	470328	SKT24095 SPICE	471570!	SP010371 LUF	472164!
SF1723	LETN	417247!	SK4834 CLARK	481213!	SKT25231 SPICE	415035	SP010732 LUF	411376!
SF1724	LETN	416476!	SK51537 SPICE	450400	SKT25231 SPICE	415035!	SP010745 LUF	417247!
SF17241	LETN	416476!	SK5223 CLARK	412943	SKT25601 GMC	417344!	SP010746 LUF	415072
SF4150	LETN	450124=	SK5264 CLARK	240731	SKT25601 SPICE	417344!	SP010747 LUF	417606
SF4150	WABCO	450124=	SK5329 CLARK	415458!	SKT26824 SPICE	471554!	SP010749 LUF	410059
SF41501	LETN	450124=	SK5338 CLARK	473447	SKT27711 SPICE	412119!	SP010749 LUF	470380!
SF4210	LETN	415437	SK5409 CLARK	415001!	SKT27720 SPICE	482253	SP010775 LUF	417349!
SF4210	LETN	415437!	SK5426 CLARK	416332!	SKT27824 SPICE	5976S	SP010776 LUF	415991
SF5344	LETN	415284	SK55566 GMC	417316!	SKT27971 SPICE	415988	SP010776 LUF	455146!
SF5345	LETN	416345!	SK6244 CLARK	473179!	SKT27978 SPICE	412119!	SP010777 LUF	472157!
SF5345	LETN	455033	SK6303 CLARK	470565!	SKT29097 SPICE	471553!	SP010777 LUF	472157
SF53456	WABCO	416345!	SK6474 CLARK	470334!	SKT30561 SPICE	473235!	SP010778 LUF	416865!
SF53456	WABCO	455033	SK65795 GMC	416664!	SKT31377 SPICE	472397!	SP010779 LUF	415867
SF5346	LETN	417205!	SK6739 CLARK	471192	SKT31380 SPICE	471821!	SP010780 LUF	417606
SF5347	LETN	476470	SK700723 GMC	415035	SKT37866 SPICE	472705!	SP010792 LUF	415995!
SF53471	LETN	476470	SK7084 CLARK	416404!	SKT41977 SPICE	416339	SP010794 LUF	415027!
SF5348	LETN	416229	SK7695 CLARK	415449!	SKT41977 SPICE	455031!	SP010794 LUF	415027
SF53481	LETN	416229	SK793 SCHWI	J115	SKT42821 SPICE	416888!	SP010812 LUF	418028
SG1Q	ATP	342805	SK800723 GMC	416147	SKT42913 SPICE	455019!	SP010812 LUF	455137!
SG2031	LETN	415437	SK8286 CLARK	472636!	SKT43885 SPICE	473238	SP10 SHO	471138!
SG2031	LETN	415437!	SK8596 CLARK	415263	SKT44550 SPICE	415379	SP120572 SHO	415138!
SG2034	LETN	415142	SK8739 CLARK	415379	SKT44550 SPICE	415379!	SP22512 SHO	415187
SG2036	LETN	472492!	SK8739 CLARK	415379!	SKT44966 SPICE	473238	SP2367 LETN	455134
SG2039	LETN	455134!	SK8890 CLARK	470954!	SKT44976 SPICE	471705!	SP24391 LETN	255833=
SG21A	ATP	8792S	SK8893 CLARK	471442!	SKT45107 SPICE	472179	SP24392 LETN	255833=
SG4302	LETN	455336	SKA1601134 SPICE	471950	SKT48669 SPICE	417267	SP35542 SHO	417254
SG4349	LETN	415138!	SKA1618982 SPICE	2043	SKT50913 SPICE	471272!	SP35543 SHO	415991
SG43492	LETN	415138!	SKA16333 SPICE	5778	SKT51818 SPICE	473231	SP35543 SHO	455146!
SG43496	WABCO	415138!	SKA165229 SPICE	482253	SKT71069 SPICE	350909	SP505 SHO	471138!
SG7	CALSO	410524	SKA165547 SPICE	240736	SKT71069 SPICE	471224!	SP6516 STEEL	471554!
SG7067	LETN	7208S	SKA167989 SPICE	450503=	SKT71076 SPICE	471765!	SP6517 STEEL	450398
SG7612	LETN	415937!	SKA168814 SPICE	472258!	SKT71447 SPICE	470954!	SP6517 STEEL	471267!
SG8717	LETN	417298	SKA169120 SPICE	40061S=	SKT72405 SPICE	417621!	SP67127S MESC	1994
SGL68X95X13	GACO	226840	SKA24751 SPICE	472234	SKT72993 SPICE	470898	SP67127S MESC	48X70X9!
SGR42609A	NOK	2025	SKA24807 SPICE	473448	SKT75966 SPICE	330385!	SP75906 LUF	476470
SK10045	CLARK	417316!	SKA43746 SPICE	472179	SKT84544 SPICE	415146!	SP76127 LUF	473243
SK10088	CLARK	345035	SKA43747 SPICE	40183S!	SKT84544 SPICE	415991	SP76371 LUF	473228
SK10332	CLARK	473405	SKA44871 SPICE	474274	SKT84582 SPICE	470898	SP76700 LUF	416888!
SK12336	CLARK	417606!	SKA46857 SPICE	40059S	SKT85537 SPICE	471466!	SPR1434 HU-WR	417223
SK12413	CLARK	474254!	SKA65289 SPICE	471835!	SKT87304 SPICE	473243	SS-64234 VIC	370008A
SK1283	HYST	417181!	SKA65765 SPICE	6808N	SKTM56763 SPICE	416404!	SS-68003 VIC	386025A
SK13081	CLARK	471835!	SKA69076 SPICE	471192	SKTM56764 SPICE	481073	SS-68003 VIC	416158
SK13082	CLARK	472164!	SKA69835 SPICE	450159	SKTM56786 SPICE	417533	SS-68004 VIC	370005A
SK13505	CLARK	416404!	SKA70152 SPICE	450808	SKTM56798 SPICE	455197N	SS-68005 VIC	370107A
SK14164	CLARK	417316!	SKB37478 SPICE	417267	SKW140233 SPICE	416288!	SS-68006 VIC	370003A
SK15028	CLARK	415449!	SKB41934 SPICE	416345!	SKW140577 SPICE	472164!	SS-68007 VIC	370037A
SK16892	CLARK	413247!	SKB41934 SPICE	455033	SKW140799 SPICE	471344	SS-68007 VIC	370338A
SK17271	SPICE	40769S	SKB49361 SPICE	5976S	SKW141443 SPICE	473204	SS46057 VIC	5589
SK1767	CLARK	472258!	SKB49363 SPICE	416229	SL10405 FORD	416404!	SS460571 VIC	5589
SK1829	CHRYS	7412S	SKG49524 SPICE	416158	SL11171 FORD	472705!	SS46098 VIC	5200
SK20257	CLARK	473245!	SKG53896 SPICE	417343!	SL6050 LETN	417602!	SS46140 VIC	5201

! Industrial Size/Type * Minor Width Difference = Call 1-800-480-1212 for price and delivery.

ALPHABETICAL

Zero Duplication or Recommended Industrial		Zero Duplication or Recommended Industrial		Zero Duplication or Recommended Industrial		Zero Duplication or Recommended Industrial					
Mfr. No.	Name	Mfr. No.	Name	Mfr. No.	Name	Mfr. No.	Name				
SS46257	VIC	5204	SS49745	VIC	416271!	SS64558	VIC	370047A	T10219	TROS	471649!
SS46264	VIC	5320 =	SS49745	VIC	5066	SS64558	VIC	9584	T10308	TROS	410308!
SS46328	VIC	5200	SS49788	VIC	5797	SS64558-1	VIC	415437	T10308S	TROS	410308!
SS46328SF	VIC	5200	SS49857	VIC	6077	SS64561	VIC	370046A	T1033	GERL	417509
SS46369	VIC	471801!	SS49905	VIC	6465	SS64564	VIC	370046A	T10441S	TROS	471341!
SS46489	VIC	471272	SS49908	VIC	6465	SS64567	VIC	415058	T10482D	HARN	415995!
SS46753	VIC	6649	SS49927	VIC	6245S =	SS64569	VIC	370069A	T10482P	HARN	415995!
SS46829	VIC	370027A	SS49929	VIC	5408	SS64569	VIC	380069A	T10482P	HARN	415995!
SS46841	VIC	370065A	SS499291	VIC	5408	SS64571	VIC	416865	T10496S	TROS	410496!
SS46841-1	VIC	370026A	SS49932	VIC	5401	SS64584	VIC	417505	T10567	TROS	471267!
SS46841-3	VIC	370020A	SS49933	VIC	5403	SS64589	VIC	417506	T10660S	TROS	471442!
SS468414	VIC	370065A	SS49934	VIC	5405	SS64589	VIC	5089	T10708S	TROS	410708
SS46842	VIC	370036A	SS49950	VIC	5406	SS64603	VIC	370003A	T10719S	TROS	471984
SS46842	VIC	370349A	SS49955	VIC	5410	SS66734	VIC	1943	T10814S	TROS	471344
SS46842-1	VIC	370036A	SS49969	VIC	5452	SS66740	VIC	224220	T11275S	TROS	476470!
SS46842-1	VIC	370349A	SS49970	VIC	5406	SS66740	VIC	42X56X7!	T11275S	TROS	476470
SS46842-1	VIC	380036A	SS49998	VIC	5453	SS66740	VIC	494117	T11501317	CHRY	417506
SS46842-4	VIC	370036A >	SS49999	VIC	6643S	SS66755	VIC	225110	T11656	COC	473467!
SS46842-4	VIC	370349A %	SS61197	VIC	5065	SS66802	VIC	1175	T11721	COC	5M403
SS46845	VIC	370036A	SS62106	VIC	3492V	SS66802	VIC	223840 *	T11835	COC	471764!
SS46845	VIC	370349A	SS62106	VIC	5665	SS66872	VIC	800451	T11854	COC	471766!
SS46847	VIC	370037A >	SS62700	VIC	5625	SS6691	VIC	4899	T11879T	JOHND	420
SS46847	VIC	370338A %	SS64225	VIC	370013A	SS66912	VIC	5695	T11936	COC	472258
SS46848	VIC	370107A	SS64225-2	VIC	370002A	SS66914	VIC	5696	T11943	COC	473226
SS46848-1	VIC	370036A	SS64227	VIC	370012A	SS66914	VIC	5700	T11961	COC	415449!
SS46848-1	VIC	370349A	SS64227-2	VIC	370002A	SS66926	VIC	710097	T12926	CASE	204008
SS46849	VIC	370027A	SS64227-3	VIC	370012A	SS67139	VIC	5700	T13305	COC	240414
SS47095	VIC	J1119+417344!	SS64229	VIC	370002A	SS68001	VIC	370036A	T13306	COC	240414
SS47275	VIC	5499 =	SS64231	VIC	370029A	SS68001	VIC	370349A	T13306	WHITE	240414
SS47275	VIC	5573	SS64231-1	VIC	370011A	SS68002	VIC	370065A	T134959S	AMC	225020
SS472751	VIC	5573	SS64234-3	VIC	370008A	SS68008	VIC	386025A	T1349596	AMC	229005
SS47361	VIC	5202	SS64236	VIC	386025A	SS68008	VIC	416158	T1349626	CHRY	1172
SS47362	VIC	5203	SS64236	VIC	416158	ST1013	HOUGH	472157!	T13501317	CHRY	370023A
SS47407	VIC	5666	SS64238	VIC	370004A	ST1013	HOUGH	472157!	T140	GERL	415991
SS47515	VIC	5397	SS64238-2	VIC	370121A	ST22518	CLARK	470088	T140	GERL	455146!
SS47535	VIC	5599 * =	SS64238-3	VIC	370121A	ST331	VIC	16300	T140009	TROS	240009
SS47537	VIC	5629	SS64240-1	VIC	370192A	ST332	VIC	16301	T140009S	TROS	471466
SS47592	VIC	PSK-1	SS64240-2	VIC	370192A	ST333	VIC	16302	T140364	TROS	350364
SS47650	VIC	476470!	SS642403	VIC	370057A	ST334	VIC	16303	T140629	TROS	481537
SS47777	VIC	5487	SS64410	VIC	370027A	ST339	VIC	16304	T140771	TROS	340771
SS47778	VIC	5473	SS64412	VIC	370002A	ST51258	CLARK	455330!	T145035	TROS	345035
SS47781	VIC	5481	SS64412-1	VIC	370011A	STD1473	AVCO	471765!	T145637	TROS	45637S
SS47781	VIC	5473	SS64412-3	VIC	370002A	STD1484	AVCO	473236!	T14720	CASE	200110
SS47786	VIC	5494	SS64414	VIC	370001A	STD1568	AVCO	472164!	T15013S	TROS	415995!
SS47789	VIC	5460	SS64415	VIC	370124A	STD1569	AVCO	473214!	T15095S	TROS	416271!
SS47795	VIC	417506	SS64415-1	VIC	370015A	SU8854	LF-PT	471337	T15149	TROS	417343!
SS47795	VIC	5563	SS64437	VIC	370057A	SV125	LETN	417556	T15177S	TROS	415379
SS47795-1	VIC	417505	SS64437-2	VIC	370005A	SX13830	ALLCH	412040	T15192S	TROS	415192N
SS47866	VIC	5624	SS64443	VIC	370030A	SX13831	ALLCH	470898!	T15281S	TROS	417349
SS47869	VIC	370019A	SS64456	VIC	370002A	SX46673	JOHND	411394!	T15379S	TROS	415379
SS47870	VIC	5460	SS64460	VIC	417172	SX47271	JOHND	415379	T15899S	TROS	415899N
SS47877	VIC	370046A	SS64462	VIC	370015A	SX47271	JOHND	415379!	T15899S	TROS	416624
SS47878	VIC	370069A	SS64464	VIC	370145A	T-351406	HYST	471766!	T15939	COC	470954
SS47878	VIC	380069A	SS64468	VIC	370007A	T-351417	HYST	471271!	T16038Z	WITTE	470625!
SS47880SF	VIC	370047A	SS64471	VIC	417172	T-371474	HYST	471570!	T16377	HARN	416888!
SS47880SF	VIC	5649	SS64482	VIC	415958	T-429735	HYST	415027	T19580	JOHND	340835
SS47882	VIC	417360	SS64487	VIC	417134	T-429735	HYST	415027!	T19761613	HYST	200861
SS47883	VIC	370033A	SS64491	VIC	370011A	T-77612081	HYST	417350!	T19761614	HYST	JV933
SS47885	VIC	418028	SS64495	VIC	370033A	T0247576	CHRY	710196	T19802	JOHND	473474
SS47887	VIC	370012A	SS64502	VIC	418028	T0695940	RENAU	716102	T19802T	JOHND	473474
SS47889	VIC	370019A	SS64511	VIC	370012A	T0725410	RENAU	222556	T200	BUTBN	471735
SS47890	VIC	370005A	SS64530	VIC	370001A	T10055S	TROS	473215!	T200117	HYST	311197
SS47891	VIC	370021A	SS64534	VIC	370054A	T10059S	TROS	410059	T20036	CASE	453279!
SS47983	VIC	370150A	SS64536	VIC	370023A	T10059S	TROS	470380!	T20076S	TROS	470334!
SS48005	VIC	415035	SS64538	VIC	370132A	T101	BUTBN	471766!	T20081	CASE	204035
SS48048	VIC	416154!	SS64539	VIC	370131A	T10121S	TROS	472409	T20120	TROS	471224!
SS48173	VIC	417365	SS64539	VIC	455685	T10136S	TROS	470625!	T20223	JOHND	343101
SS49212	VIC	470354	SS64541	VIC	370011A	T10160	TROS	471763	T202964	CUMMI	471795
SS49251	VIC	470354	SS64542	VIC	416892	T10163S	TROS	471766!	T205006	TROS	203006!
SS49521	VIC	470354	SS64546	VIC	370006A	T10171S	TROS	473016!	T205007	TROS	6489
SS49521-1	VIC	470354	SS64550	VIC	416888!	T10181	CASE	411253!	T205008	TROS	205017
SS49742	VIC	5458	SS64553	VIC	370019A	T1021	GERL	472397!	T205017	TROS	204017

! Industrial Size/Type * Minor Width Difference > Hub Mount % Spindle Mount = Call 1-800-480-1212 for price and delivery.

Zero Duplication or Recommended		Zero Duplication or Recommended		Zero Duplication or Recommended		Zero Duplication or Recommended					
Mfr. No.	Name	Mfr. No.	Name	Mfr. No.	Name	Mfr. No.	Name				
T219	BUC-E	416892!	T3087157	RENAU	225110	T429247	HYST	416404!	T51100	TROS	471652
T220120	TROS	471224!	T308D	MC-NO	473179	T429250	HYST	417601	T51100	TROS	482208!
T220301	TROS	472397!	T331107	TROS	331107N	T429251	HYST	415551	T51100S	TROS	471652
T22069	JOHND	471192	T331227	TROS	331227H	T429595	HYST	472150	T51143S	TROS	451143
T22101	JOHND	240733	T331228	TROS	331228H	T42994	HYST	416865!	T5126	TROS	416738!
T22101T	JOHND	240733	T331301	TROS	331301N	T42995	HYST	352541	T5126	TROS	450096
T22198	JOHND	472419	T335924	TROS	335924N	T43331	HYST	415066	T52008X	DOMGA	415379
T22260	JOHND	471267!	T33622	HYST	471224!	T441127	TROS	203006!	T5203	COC	472439
T225003	TROS	415458!	T336819	HYST	472258!	T441130	TROS	441130	T5289	COC	416888!
T225086	TROS	417487!	T340364	TROS	350364	T448180	HYST	55646=	T5289	WHITE	416888!
T225086	TROS	417487	T34037	CASE	471224!	T44819	HYST	415697!	T5358	COC	471442!
T225146	TROS	415146!	T340950	TROS	6241S	T44819	HYST	455547	T54255	CASE	473239!
T225146	TROS	415991	T35003	TROS	415458!	T448239	HYST	416888!	T54429	CASE	204027
T230737	TROS	410737!	T35004	TROS	417316!	T450055	TROS	473215!	T55049	TROS	416892!
T235070	TROS	416865!	T35009	TROS	415960	T450061	TROS	470950!	T55051	TROS	415371
T235086	TROS	417487	T35012	TROS	416654	T450061	TROS	6241S	T55052	TROS	415284
T235086	TROS	417487!	T35012S	TROS	416654	T450076	TROS	470334!	T55052S	TROS	415284
T235095	TROS	416271!	T35013	TROS	415995!	T451143	TROS	451143	T55054	TROS	417223
T235315	TROS	415984!	T35013	TROS	415995!	T451147	TROS	472164	T55060	TROS	370019A
T235348	TROS	475348N	T35016S	TROS	416288	T465147	HYST	417507	T55062	TROS	370021A
T235354	TROS	416404!	T35018S	TROS	476470!	T465147	HYST	417507!	T55064	TROS	370021A
T235498	TROS	415498	T35018S	TROS	476470	T465148	HYST	417603!	T55075	TROS	416476!
T235949	TROS	416500	T35070	TROS	416865	T46629	HYST	415449!	T55124	TROS	415124
T23709	CASE	41461S	T350936	TROS	350936	T470441	TROS	471341!	T55128	TROS	415128
T23902	JOHND	471570!	T35095S	TROS	416271!	T470684	TROS	471827	T55129	TROS	455129
T23902T	JOHND	471570!	T35101	TROS	416282	T480212	HYST	415960!	T55172S	TROS	416332!
T240141	TROS	470954!	T35101S	TROS	416282	T480330	TROS	473452	T55188	TROS	AR12+370033A
T240185	TROS	40185	T351071	TROS	471267!	T481193	TROS	471193	T55189	TROS	455189
T240791	TROS	471466	T35137	TROS	415137!	T481195	TROS	471195!	T55197	TROS	455197N
T247667	HYST	JV1944=	T35137	TROS	418028	T485921	TROS	413246	T55232	TROS	416153!
T24919	JOHND	J1267=	T35146	TROS	415146!	T49550	TIMKE	205004	T55234	TROS	415234!
T25013S	TROS	415995!	T35146	TROS	415991	T49569	TIMKE	204002	T55251	TROS	455251H
T25016S	TROS	416288!	T35156	TROS	5578	T49569	TMTR	200354	T55251S	TROS	455251H
T250203	TROS	481443!	T35322	TROS	417484!	T50000	OLIVE	200354	T55356	TROS	455356
T250H	MC-NO	473234	T35348S	TROS	475348N	T50000	ROCKW	204002	T55361	TROS	416865
T251076	TROS	471076	T35380	TROS	410825	T50000	TIMKE	204002	T55363	TROS	417362!
T25112	JOHND	JX1386=	T354106	HYST	455509	T50000	TMTR	200354	T55371	TROS	416892
T25147S	TROS	415449!	T354119	HYST	471413	T50006	TROS	471530	T55380	TROS	410825
T254	BUTBN	471795	T354225	HYST	472164!	T50016	TROS	471535!	T55452	TROS	417597
T260024	HYST	471344	T358160	HYST	473367!	T50017	TROS	473405	T55476	TROS	455476
T260025	HYST	473230!	T358160	HYST	473367	T50030	TROS	474253	T55498	TROS	415498
T260H	MC-NO	7442H	T36622	HYST	471224	T50041EXA	HARN	415034!	T55511	TROS	2081
T266D	MC-NO	9613S	T371358	HYST	473435	T50044EX	HARN	415030!	T55581	TROS	370023A
T270F	MC-NO	331107N	T37225	JOHND	JV1166	T50051EXA	HARN	415034!	T55718	TROS	370019A
T271F	MC-NO	7692S	T37297	CASE	471870!	T50122	TROS	473437	T5577	TROS	5095
T272F	MC-NO	7300S	T37799	CASE	200854	T50188	TROS	450188	T55963S	TROS	415379!
T274	BUTBN	473424!	T39278	CASE	204002	T50248	TROS	473436	T57707	TIMKE	450765!
T274F	MC-NO	7929S	T39419	JOHND	J1129*	T50261	TROS	473466	T5797	TROS	5797
T277G	MC-NO	473179	T40047	CASE	210945	T50273	TROS	450273	T5833	TROS	473228
T27809	CASE	204029	T40063	TROS	7886S	T50275	TROS	450275	T5846	TROS	6064
T27809	CASE	204507!	T40555S	TROS	40555	T50280	TROS	471866!	T5919S	TROS	204002
T286280	HYST	417181!	T40555S	TROS	40555S1	T50311	TROS	450311	T5935	TROS	473463
T287P	MC-NO	331228H	T40556	TROS	471821!	T50362	TROS	450362	T59401	TROS	5320=
T28889	CASE	204013	T40629	TROS	481537	T50375	TROS	6936S	T5961	TROS	370036A
T290567	TROS	471267!	T40769	TROS	40769S	T50431	TROS	471539!	T5961	TROS	370349A
T290675	TROS	240027=	T40787	TROS	340787	T50457	TROS	450457	T59760S	TROS	335924N
T29511	CASE	290944=	T409131	HYST	470898	T50485	TROS	411330!	T6027	TROS	471316
T295957	TROS	8976S	T409163	HYST	472409!	T50487	TROS	470487!	T6040	TROS	415899N
T30028	CASE	204035	T409165	HYST	473475	T50524	TROS	410524	T6040	TROS	416624
T30083	TROS	472924!	T409268	HYST	451948	T50539	TROS	414268!	T6094	TROS	472636!
T30101	TROS	412119	T41013	TROS	7186S	T50588	TROS	450588	T6195	TROS	417262=
T30183	TROS	472179	T410567	TROS	471267!	T50613	TROS	471224!	T62701	TROS	473454
T30300	TROS	472394	T4133	GERL	471224!	T50613S	TROS	471224!	T63035	TROS	471504
T30303S	TROS	472015!	T415156	TROS	471621	T50628	TROS	473420	T63201S	TROS	8477S
T30316	TROS	472636!	T415899	TROS	415899N	T50634	TROS	472475	T6337S	TROS	473435
T30352	TROS	472164!	T415899	TROS	416624	T50639	TROS	450639	T6340S	TROS	472258
T30487	CASE	200856	T415983	TROS	415983N	T50911S	TROS	450911N!	T63720	TROS	5095
T3065057	CHRY	228010	T41675	JOHND	J1134	T50966	TROS	472924!	T63961	TROS	472951
T30666	TROS	450666	T42513	HYST	415458!	T50988	TROS	473474	T63961	TROS	474252
T3087079	RENAU	224520	T429112	HYST	415482	T50991S	TROS	480630!	T64101S	TROS	8705S
T3087143	RENAU	223240	T42914	HYST	472397!	T51047S	TROS	471571	T64201S	TROS	8594S
T3087144	RENAU	1992	T429216	HYST	415072	T51073S	TROS	481073	T64202S	TROS	8660S

! Industrial Size/Type * Minor Width Difference = Call 1-800-480-1212 for price and delivery.

ALPHABETICAL

Zero Duplication or Recommended Industrial		Zero Duplication or Recommended Industrial		Zero Duplication or Recommended Industrial		Zero Duplication or Recommended Industrial					
Mfr. No.	Name	Mfr. No.	Name	Mfr. No.	Name	Mfr. No.	Name				
T64402S	TROS	8610	T9505	COC	472287!	TE1304	HARN	417316!	TO9	ATP	471827
T64501R	TROS	473179	T95147	TROS	415449!	TE1305	HARN	417490	TP3185	OLIVE	204002
T6508	TROS	472015!	T95177	TROS	415379	TE1306	HARN	417191	TR1010	HU-WR	416892!
T6508S	TROS	472015!	T9554	COC	471141!	TE1306	HARN	455165!	TR1015	HU-WR	415035!
T65202	TROS	8940S	T95701	TROS	415995!	TE1307	HARN	417196!	TR1015	HU-WR	415035
T65240	TROS	8704S	T95701	TROS	415995!	TE1308	HARN	415027	TR41M91723	CINMI	473228
T65261	TROS	370036A	T95705	TROS	415995!	TE1308	HARN	415027!	TR8495	LETN	416865!
T65261	TROS	370349A	T95705	TROS	415995!	TE1309	HARN	415711	TRAA1175A	FORD	415857!
T65261	TROS	380036A	T998	GERL	455019!	TE237	FABCO	473473	TRC7006	FUNK	473459
T65262	TROS	376590A	TA154	MINNM	473449	TEAA4676A	FORD	410737!	TRC70062	FUNK	473459
T65298	TROS	370037A	TA74634	WABCO	455107N=	TEAN1144A	FORD	5487	TRC7116	FUNK	471192
T65298	TROS	370338A	TAAK1190	FORD	44053	TEAN1174A	FORD	5487\$	TRC71164	FUNK	450375!
T65300	GEHL	6590S	TABAJ77918AB	FORD	417316!	TEAN1174B	FORD	5487\$	TRC71164	FUNK	6936S!
T65300	OLIVE	6590S	TACA7828A	FORD	471570!	TEAN1175B	FORD	455858	TRC71164	FUNK	9845
T65300	TIMKE	6590S	TACA7828S	FORD	471570!	TEAN1175C	FORD	455858	TRS-005	FORSH	710414
T65340S	TROS	8695S	TAJAA1175A	FORD	370021A	TEAN1175D	FORD	455858	TS11375	ROL	TCS45285
T65360S	TROS	7687S	TAJAA1175B	FORD	370021A	TEAN1181B	FORD	5487	TS11430	ROL	TCS45472
T65501S	TROS	9449	TAJAA1175B	FORD	415351!	TEAN1181C	FORD	5487	TS11735	ROL	TCS45483
T6564S	TROS	415449!	TAKAA1175A	FORD	370004A	TEAN1181D	FORD	5487	TS11740	ROL	TCS45483
T6638	TROS	370001A	TAKAA1190A	FORD	416130!	TF1519	AU-WS	417171!	TS11750	ROL	TCS45635
T6646S	TROS	9613S	TAKAA4676A	FORD	416282	TF7198	LETN	470565!	TS11760	ROL	TCS45635
T6656	TROS	7300S	TB7106	FUNK	471192	TF98924	WABCO	332134	TS11765	ROL	TCS45473
T6656S	TROS	473234!	TBAA4676A	FORD	451078!	TFAA3591A	FORD	6597S	TS11775	ROL	TCS45108
T6693S	TROS	470605!	TBAA7048	FORD	410308!	TG15519015	FORSH	155X190X15	TS11875	ROL	TCS45603
T6696	TROS	417355!	TBAA7048A	FORD	410308!	TG17520015	FORSH	175X200X15	TS11900	ROL	TCS45689
T6711	TROS	205004	TBAF4676A	FORD	6808N	TG18020015	FORSH	180X200X15	TS11920	ROL	TCS45424
T6712S	TROS	473179	TC-M446	ALLCH	415437	TG19327	FORSH	19X32X8	TS11930	ROL	TCS45700
T6755	TROS	416892!	TC-M446	ALLCH	415437!	TG20378	FORSH	20X37X8	TS11965	ROL	TCS45724
T6808	TROS	6808N	TC11236	ROL	16202	TG24428	FORSH	24X42X8	TS11985	ROL	TCS45506
T6840	TROS	6840S	TC11252	ROL	16210	TG33528.5	FORSH	33X52X8.5	TS12015	ROL	TCS45725
T6842	TROS	7600S	TC130069	MARMO	417507!	TG365610	FORSH	36X56X10	TS12025	ROL	TCS45727
T6855S	TROS	6855N=	TC130069	MARMO	417507!	TG38211	LETN	415104N=	TS12230	ROL	TCS45847
T6864	TROS	370023A	TC238	FABCO	471267!	TG426810	FORSH	42X68X10	TS12250	ROL	TCS45483
T6869S	TROS	370005A	TC251	FABCO	471554!	TG446510	FORSH	44X65X10!	TS12305	ROL	TCS45860
T6874S	TROS	473234!	TC284	FABCO	473474	TG458510	FORSH	45X85X10	TS12385	ROL	TCS45901
T6879S	TROS	470898!	TC422	FABCO	413247!	TG507510	FORSH	50X75X10	TS12465	ROL	TCS45718
T6951S	TROS	7686S	TC5136A	GW	417584	TG508513	FORSH	50X85X10	TS12470	ROL	TCS45719
T6954	TROS	6954S	TC523	FABCO	353132	TG557810	FORSH	55X78X10	TS12495	ROL	TCS45939
T6988S	TROS	473459	TC8513	LETN	417344	TG588510	FORSH	58X85X10	TS12505	ROL	TCS45699
T7006S	TROS	370006A	TCA1175	FORD	415960!	TG589010	FORSH	58X90X10	TS12545	ROL	TCS45870
T7018S	TROS	7018N=	TCAA1175A	FORD	415960!	TG609513	FORSH	60X95X13	TS240U5	NORDG	472193!
T7022S	TROS	473317	TCAA1175A1	FORD	415960!	TG7010513	FORSH	70X105X13	TS700011	FUNK	471835!
T7031S	TROS	473234!	TCAA4676A	FORD	410308	TG9364	COC	417316!	TUAA1174A	FORD	5951
T7041S	TROS	370012A	TCAK1190	FORD	6954S	TG9431	COC	417205!	TUAA1175A	FORD	415060
T7044	TROS	7044NA	TCAK1190A	FORD	6954S	TG9856	COC	416706!	TUAA1175A	FORD	455060
T7107	TROS	7107A=	TD105598	CHRY	471224	TGAA1190A	FORD	417134	TUAA1181A	FORD	5951
T7142S	TROS	200110	TD108629	CHRY	417316!	TL763	WABCO	415351=	TUAA1190	FORD	370001A
T7338S	TROS	7338N	TD1592	CHRY	340413	TL7633	LETN	415351=	TUAY1190A	FORD	370001A
T7376	TROS	370003A	TD256	LETN	471341!	TM1469	HEIL	471532	TUAY1190A	FORD	6638S
T7378	TROS	370006A	TD339	LETN	415066	TM1960	AVCO	415458!	TVAA4463A	FORD	470565!
T7383S	TROS	321460	TD4358	MINNM	240007=	TM1960	MINNM	415458!	TVAA4478A	FORD	410737!
T74239	JOHND	J1139*=	TDA-1244-U879	ROCKW	AR23	TM527	HU-WR	415645!	TVAA4676A	FORD	410987!
T7442S	TROS	7442H	TDAA1175A	FORD	416297	TM527	HU-WR	455104	TVAA4676A	FORD	450686
T7452S	TROS	370019A	TDAA1175A1	FORD	416297	TM545	HU-WR	416888!	TVAA77918A2	FORD	415449!
T7453S	TROS	370021A	TDAA1175A3	FORD	416297	TM546	HU-WR	416125!	TVAA77918A3	FORD	415449!
T7456S	TROS	7456N	TDAA1175B	FORD	416297	TO-28	ATP	3459	TVAA77952A	FORD	471267!
T7457	TROS	7457N	TDAA1175C	FORD	416297	TO-35	ATP	320583	TVCE77918A	FORD	415449!
T7487	TROS	7994S	TDBA1190	FORD	44052	TO1190	MASSE	6336S	TW1029U	NORDG	411245!
T776210-3	HYST	415294!	TDM112	ALLCH	415027!	TO14	ATP	8935S	TX101	COTTA	471466!
T776408-1	HYST	417316=	TDM112	ALLCH	415027!	TO15	ATP	471539	TX103	COTTA	471554!
T7769S	TROS	6241S	TDM137	ALLCH	415995!	TO2	ATP	472354!	TX105	COTTA	471137
T7824S	TROS	471193	TE1301	HARN	473245!	TO24	ATP	2506	TX106	COTTA	450040
T8121	TROS	8121S	TE13010	HARN	417497	TO3	ATP	7392S=	TX107	COTTA	471649!
T8181	TROS	472070	TE13011	HARN	417357	TO3670	MASSE	473423	TX108	COTTA	450593!
T8528	COC	471192	TE13011	HARN	455192!	TO4	ATP	331228H	TX109	COTTA	476838!
T867366337	GE	350364	TE13012	HARN	417513	TO4251A	MASSE	417316!	TX110	COTTA	473205!
T9287	COC	476838!	TE13013	HARN	455197N	TO4251A	MASSE	410987=	TX111	COTTA	471750!
T9296	COC	470806	TE13014	HARN	415196!	TO703	MASSE	471829	TX114	COTTA	471795
T9364	COC	417158!	TE13015	HARN	415047	TO7052	MASSE	472258	TX115	COTTA	471762!
T9455	COC	473229	TE13016	HARN	472144!	TO749	MASSE	473214	TX117	COTTA	473215!
T9467	COC	471766!	TE1302	HARN	415007	TO750	MASSE	473236!	TX118	COTTA	470950!
T9498	COC	254270	TE1303	HARN	455151	TO8	ATP	331227H	TX118	COTTA	6241S

! Industrial Size/Type * Minor Width Difference \$F-M Number Is Part Of A Kit = Call 1-800-480-1212 for price and delivery.

Zero Duplication or Recommended		Zero Duplication or Recommended		Zero Duplication or Recommended		Zero Duplication or Recommended		
Mfr. No.	Name	Mfr. No.	Name	Mfr. No.	Name	Mfr. No.	Name	
TX122	COTTA	474281!	TX302	COTTA	476838!	TX411	COTTA	240735
TX123	COTTA	471821!	TX303	COTTA	471141!	TX412	COTTA	455655!
TX124	COTTA	473367!	TX304	COTTA	471276	TX413	COTTA	415035
TX125	COTTA	472185!	TX305	COTTA	473214!	TX414	PACIF	471192
TX126	COTTA	470334!	TX307	COTTA	415021	TX416	COTTA	417082
TX127	COTTA	473447	TX308	COTTA	416271!	TX419	COTTA	412920!
TX128	COTTA	472924!	TX309	COTTA	450400	TX420	COTTA	417316!
TX129	COTTA	450084!	TX310	COTTA	471271!	TX421	COTTA	416404!
TX130	COTTA	472397!	TX314	COTTA	417349	TX426	COTTA	472157!
TX131	COTTA	410102	TX315	COTTA	416664!	TX426	COTTA	472157
TX132	COTTA	472015!	TX316	COTTA	415984!	TX428	COTTA	471341!
TX133	COTTA	413469!	TX318	COTTA	415302	TX429	COTTA	415150!
TX134	COTTA	411253!	TX321	COTTA	415991!	TX430	COTTA	450084!
TX136	COTTA	412119!	TX321	COTTA	415991	TX441	COTTA	417351!
TX139	COTTA	415449!	TX326	COTTA	471984	TX444	COTTA	416167!
TX140	COTTA	415001!	TX327	COTTA	417487!	TX445	COTTA	416229
TX141	COTTA	415458!	TX327	COTTA	417487	TX446	COTTA	415138!
TX142	COTTA	415007	TX328	COTTA	417487	TX448	COTTA	415960!
TX143	COTTA	417316!	TX334	COTTA	470898	TX449	COTTA	415449!
TX144	COTTA	415960!	TX337	COTTA	474265	TX450	COTTA	417269!
TX145	COTTA	415960!	TX338	COTTA	416706!	TX451	COTTA	417967!
TX146	COTTA	415995!	TX339	COTTA	416865!	TX452	COTTA	472144!
TX147	COTTA	417488!	TX340	COTTA	416865!	TX454	COTTA	417254
TX149	COTTA	417171!	TX341	COTTA	415082!	TX456	COTTA	473237!
TX150	COTTA	417171!	TX342	COTTA	411253!	TX457	COTTA	412027
TX151	COTTA	476470	TX343	COTTA	470605!	TX458	COTTA	415294!
TX152	COTTA	415137!	TX345	COTTA	416865!	TX459	COTTA	472492!
TX152	COTTA	418028	TX348	COTTA	481864	TX460	COTTA	417357
TX153	COTTA	415023	TX349	COTTA	473225	TX460	COTTA	455192!
TX154	COTTA	415025	TX351	COTTA	450275	TX462	COTTA	415035!
TX155	COTTA	415991	TX352	COTTA	471504	TX464	COTTA	470380!
TX155	COTTA	455146!	TX355	COTTA	476470!	TX467	COTTA	415041
TX155	HARN	415991	TX355	COTTA	476470	TX468	COTTA	415371
TX155	HARN	455146!	TX357	COTTA	416888!	TX469	COTTA	415138!
TX156	COTTA	415991	TX359	COTTA	471272!	TX472	COTTA	470565!
TX156	COTTA	415991!	TX363	KEN	415991	TX473	COTTA	415303=
TX157	COTTA	415027	TX363	KEN	415991!	TX476	COTTA	473474
TX157	COTTA	415027!	TX363	PACIF	415991	TX479	COTTA	416345!
TX159	COTTA	417205!	TX363	PACIF	415991!	TX479	COTTA	455033
TX160	COTTA	415034!	TX366	COTTA	415449!	TX481	COTTA	471341!
TX161	COTTA	415036	TX367	COTTA	417316!	TX482	COTTA	473466
TX162	COTTA	415047	TX368	COTTA	416654!	TX483	COTTA	416921!
TX163	COTTA	415991	TX369	COTTA	415725!	TX485	COTTA	470954!
TX163	COTTA	415991!	TX371	COTTA	415379	TX489	COTTA	415060
TX164	COTTA	417538	TX371	COTTA	415379!	TX494	COTTA	417351!
TX165	COTTA	417269!	TX373	COTTA	473179!	TX498	COTTA	415725!
TX166	COTTA	415072	TX374	COTTA	416288!	TX500	COTTA	417247!
TX168	COTTA	416654!	TX376	COTTA	415995!	TX501	COTTA	416287
TX172	COTTA	473225!	TX377	COTTA	416288!	TX501	COTTA	416288!
TX274	COTTA	416271!	TX378	COTTA	417487!	TX502	COTTA	415035!
TX275	COTTA	415449!	TX378	COTTA	417487	TX503	COTTA	416339
TX277	COTTA	473258!	TX379	COTTA	476470	TX503	COTTA	455031!
TX278	COTTA	416892!	TX380	COTTA	471267!	TX504	COTTA	417316!
TX281	COTTA	472179	TX381	COTTA	411376!	TX507	COTTA	417191
TX283	COTTA	476470	TX382	COTTA	412473!	TX510	COTTA	417172
TX284	COTTA	417355!	TX383	COTTA	417171!	TX511	COTTA	415991
TX285	COTTA	416891!	TX388	COTTA	417316!	TX511	COTTA	455146!
TX286	COTTA	455024	TX389	COTTA	471271!	TX514	COTTA	415995!
TX287	COTTA	415991	TX390	COTTA	472397!	TX526	COTTA	472164!
TX287	COTTA	455146!	TX392	COTTA	415072	TX52759	JOHND	470530!
TX288	COTTA	455197N	TX395	COTTA	472705!	TX529	COTTA	471413!
TX289	COTTA	416288!	TX398	COTTA	412119!	TX52906	JOHND	417343!
TX291	COTTA	472636!	TX399	COTTA	471271!	TX550	COTTA	472016
TX292	COTTA	415035	TX401	COTTA	415088	TX558	COTTA	416444
TX292	COTTA	415035!	TX401	COTTA	415088!	TX559	COTTA	415379
TX293	COTTA	415007	TX403	COTTA	472164!	TX559	COTTA	415379!
TX294	COTTA	415995!	TX404	COTTA	470605!	TX561	COTTA	416271!
TX295	COTTA	471272!	TX406	COTTA	416888!	TX562	COTTA	472185!
TX298	COTTA	470380!	TX407	COTTA	456199=	TX567	COTTA	470898
TX299	COTTA	416332!	TX408	COTTA	455123	TX570	COTTA	471192
TX300	COTTA	471820	TX409	COTTA	415088	TX571	COTTA	412920!
TX301	COTTA	415001!	TX410	COTTA	416125!	TX572	COTTA	471138!
TX603	COTTA	472164!	TX657	COTTA	470898	TX660	COTTA	415483
TX684	COTTA	472016!	TX685	COTTA	472164!	TX7563	MASSE	472397!
TXA28610	MASSE	340724!	U11243	IH	471137	U1227	ALLCH	415007
U12688	JOHND	455033	U12688	JOHND	455033	U14488	JOHND	412920!
U14264	JOHND	472164!	U14488	JOHND	412920!	U16633	IH	471766!
U17942	IH	471137	U16633	IH	471766!	U17942	IH	471137
U17943	IH	471766!	U17942	IH	471137	U17943	IH	471766!
U17944	IH	476838!	U17944	IH	476838!	U195	ALLCH	472409!
U196	ALLCH	473367	U195	ALLCH	472409!	U196	ALLCH	473367
U2104	ALLCH	5M403	U196	ALLCH	473367!	U196	ALLCH	473367!
U2602	ALLCH	473462	U2104	ALLCH	5M403	U2602	ALLCH	473462
U2674	ALLCH	473215!	U2602	ALLCH	473462	U2674	ALLCH	473215!
U303A	CALSO	472164!	U2674	ALLCH	473215!	U303A	CALSO	472164!
U40370	JOHND	412920	U303A	CALSO	472164!	U40370	JOHND	412920
U41491	JOHND	200875=	U40370	JOHND	412920	U41491	JOHND	200875=
U41989	JOHND	476470!	U41491	JOHND	200875=	U41989	JOHND	476470!
U41989	JOHND	476470!	U41989	JOHND	476470!	U41989	JOHND	476470!
U4213	SPICE	473423	U4213	SPICE	473423	U4213	SPICE	473423
U43766	JOHND	200870	U43766	JOHND	200870	U43766	JOHND	200870
U43767	JOHND	JV980=	U43767	JOHND	JV980=	U43767	JOHND	JV980=
U44336	JOHND	416149	U44336	JOHND	416149	U44336	JOHND	416149
U481521	LAZOR	35094	U481521	LAZOR	35094	U481521	LAZOR	35094
U481726	LAZOR	25598	U481726	LAZOR	25598	U481726	LAZOR	25598
U49-8092	LAZOR	1172	U49-8092	LAZOR	1172	U49-8092	LAZOR	1172
U49-8106	LAZOR	229210	U49-8106	LAZOR	229210	U49-8106	LAZOR	229210
U49-8254	LAZOR	1108	U49-8254	LAZOR	1108	U49-8254	LAZOR	1108
U49-8262	LAZOR	716102	U49-8262	LAZOR	716102	U49-8262	LAZOR	716102
U49-8319	LAZOR	710205	U49-8319	LAZOR	710205	U49-8319	LAZOR	710205
U49-8327	LAZOR	227040	U49-8327	LAZOR	227040	U49-8327	LAZOR	227040
U49-8327	LAZOR	BS25035	U49-8327	LAZOR	BS25035	U49-8327	LAZOR	BS25035
U49-8335	LAZOR	227530	U49-8335	LAZOR	227530	U49-8335	LAZOR	227530
U49-8343	LAZOR	229005	U49-8343	LAZOR	229005	U49-8343	LAZOR	229005
U49-8351	LAZOR	223540	U49-8351	LAZOR	223540	U49-8351	LAZOR	223540
U49-8360	LAZOR	224865	U49-8360	LAZOR	224865	U49-8360	LAZOR	224865
U49-8378	LAZOR	224250	U49-8378	LAZOR	224250	U49-8378	LAZOR	224250
U49-8408	LAZOR	223010	U49-8408	LAZOR	223010	U49-8408	LAZOR	223010
U49-8416	LAZOR	3771	U49-8416	LAZOR	3771	U49-8416	LAZOR	3771
U49-8424	LAZOR	223035	U49-8424	LAZOR	223035	U49-8424	LAZOR	223035
U49-8432	LAZOR	224025	U49-8432	LAZOR	224025	U49-8432	LAZOR	224025
U49-8440	LAZOR	1873	U49-8440	LAZOR	1873	U49-8440	LAZOR	1873
U49-8556	LAZOR	3476	U49-8556	LAZOR	3476	U49-8556	LAZOR	3476
U49-8556	LAZOR	710310	U49-8556	LAZOR	710310	U49-8556	LAZOR	710310
U49-9021	LAZOR	224250	U49-9021	LAZOR	224250	U49-9021	LAZOR	224250
U49-9056	LAZOR	224520	U49-9056	LAZOR	224520	U49-9056	LAZOR	224520
U49-9064	LAZOR	226480	U49-9064	LAZOR	226480	U49-9064	LAZOR	226480
U498521	LAZOR	BS40382	U498521	LAZOR	BS40382	U498521	LAZOR	BS40382
U498530	LAZOR	BS25035	U498530	LAZOR	BS25035	U498530	LAZOR	BS25035
U503	CALSO	472164!	U503	CALSO	472164!	U503	CALSO	472164!
U8-G20	OSHKO	415023	U8-G20	OSHKO	415023	U8-G20	OSHKO	415023
U81-8321	LAZOR	224462	U81-8321	LAZOR	224462	U81-8321	LAZOR	224462
U81-8496	LAZOR	239146	U81-8496	LAZOR	239146	U81-8496	LAZOR	239146
U81-8500	LAZOR	1176	U81-8500	LAZOR	1176	U81-8500	LAZOR	1176
U81-8518	LAZOR	223014	U81-8518	LAZOR	223014	U81-8518	LAZOR	223014
U81-8526	LAZOR	224252	U81-8526	LAZOR	224252	U81-8526	LAZOR	224252
U81-8534	LAZOR	224462	U81-8534	LAZOR	224462	U81-8534	LAZOR	224462
U81-8550	LAZOR	473238!	U81-8550	LAZOR	473238!	U81-8550	LAZOR	473238!
U81-8550	LAZOR	9912	U81-8550	LAZOR	9912	U81-8550	LAZOR	9912
U81-8569	LAZOR	224820	U81-8569	LAZOR	224820	U81-8569	LAZOR	224820
U81-8577	LAZOR	1208	U81-8577	LAZOR	1208	U81-8577	LAZOR	1208
U81-8585	LAZOR	225010	U81-8585	LAZOR	225010	U81-8585	LAZOR	225010
U81-8593	LAZOR	1960	U81-8593	LAZOR	1960	U81-8593	LAZOR	1960

Zero Duplication or Recommended		Zero Duplication or Recommended		Zero Duplication or Recommended		Zero Duplication or Recommended	
Mfr. No.	Name	Mfr. No.	Name	Mfr. No.	Name	Mfr. No.	Name
U81-8615	LAZOR	UB0065E0	NOK	UD0508E0	NOK	UF0230E	NOK
U81-8631	LAZOR	UB0084E0	NOK	UD0520E	NOK	UF0230E0	NOK
U81-8640	LAZOR	UB0084E0	NOK	UD0520E0	NOK	UF0260E	NOK
U81-8658	LAZOR	UB0086E	NOK	UD0624E0	NOK	UF0260E0	NOK
U81-8666	LAZOR	UB0086E0	NOK	UD0624E0	NOK	UF0491E	NOK
U81-8666	LAZOR	UB0105E0	NOK	UD0751E0	NOK	UF0491E0	NOK
U81-8674	LAZOR	UB0109E0	NOK	UE-0321-E0	NOK	UF0495E	NOK
U81-8682	LAZOR	UB0142E	NOK	UE0009E0	NOK	UF0495E0	NOK
U81-8690	LAZOR	UB0142E0	NOK	UE0077E0	NOK	UF0496E	NOK
U81-8720	LAZOR	UB0176E	NOK	UE0077E0	NOK	UF0496E0	NOK
U81-8739	LAZOR	UB0176E0	NOK	UE0112E	NOK	UF0497E	NOK
U81-8747	LAZOR	UB0218E	NOK	UE0112E0	NOK	UF0497E0	NOK
U81-8755	LAZOR	UB0218E0	NOK	UE0152E	NOK	UF0500E	NOK
U81-8771	LAZOR	UB0368E	NOK	UE0152E0	NOK	UF0500E0	NOK
U81-8828	LAZOR	UB0368E	NOK	UE0205E	NOK	UF0502E	NOK
U81-9034	LAZOR	UB0368E0	NOK	UE0205E0	NOK	UF0502E	NOK
U81-9050	LAZOR	UB0368E0	NOK	UE0282E	NOK	UF0502E0	NOK
U81-9069	LAZOR	UB0372E	NOK	UE0319E	NOK	UF0502E0	NOK
U81-9085	LAZOR	UB0372E0	NOK	UE0319E0	NOK	UF0505E	NOK
U81-9093	LAZOR	UB0441E	NOK	UE0323E0	NOK	UF0505E0	NOK
U81-9107	LAZOR	UB0452E	NOK	UE0463E0	NOK	UF0506E	NOK
U81-9123	LAZOR	UB0452E0	NOK	UE0485E0	NOK	UF0506E0	NOK
U81-9131	LAZOR	UB0498E	NOK	UE0665E0	NOK	UF0820E	NOK
U81-9140	LAZOR	UB0498E0	NOK	UE0667E0	NOK	UF0820E0	NOK
U81-9158	LAZOR	UB0499E	NOK	UE0668E0	NOK	UG0081E0	NOK
U81-9166	LAZOR	UB0499E0	NOK	UE0670E0	NOK	UG0203E0	NOK
U81-9174	LAZOR	UB0501E	NOK	UE0671E0	NOK	UG0424F0	NOK
U81-9182	LAZOR	UB0501E0	NOK	UE0673E0	NOK	UH-0516-E	NOK
U81-9190	LAZOR	UB0555E	NOK	UEU0334E0	NOK	UH-0598-E0	NOK
U81-9204	LAZOR	UB0555E0	NOK	UF-0532-E0	NOK	UH-0946-E	NOK
U81-9808	LAZOR	UB1	JOHND	UF0014E0	NOK	UH-0946-E0	NOK
U818542	LAZOR	UB124	WHITE	UF0015E0	NOK	UH0004E	NOK
U818542	LAZOR	UB124	WHITE	UF0018E	NOK	UH0004E0	NOK
U818542	LAZOR	UB40-26-157	CHRY	UF0018E0	NOK	UH0022F0	NOK
U818810	LAZOR	UC0159E	NOK	UF0018F	NOK	UH0022H0	NOK
U818810	LAZOR	UC0159G	NOK	UF0018F0	NOK	UH0043E	NOK
U819026	LAZOR	UC0380E0	NOK	UF0023E0	NOK	UH0043E0	NOK
U819115	LAZOR	UC0384E0	NOK	UF0030E0	NOK	UH0047E	NOK
U819115	LAZOR	UC0442E	NOK	UF0032E0	NOK	UH0047E0	NOK
U997 ALLCH		UC0442E0	NOK	UF0038E	NOK	UH0097F0	NOK
UA0029E0	NOK	UC0442E0	NOK	UF0038E0	NOK	UH0097F0	NOK
UA0062E0	NOK	UC0465E0	NOK	UF0058E0	NOK	UH0102E	NOK
UA0068E0	NOK	UC0599E0	NOK	UF0067E	NOK	UH0102E0	NOK
UA0071E0	NOK	UCB521	CLSTL	UF0067E0	NOK	UH0111E	NOK
UA0072E0	NOK	UD0024E0	NOK	UF0075E0	NOK	UH0111E0	NOK
UA0072E0	NOK	UD0035E0	NOK	UF0098F	NOK	UH0111G0	NOK
UA0073E0	NOK	UD0053E0	NOK	UF0098F0	NOK	UH0164E	NOK
UA0074E0	NOK	UD0061E0	NOK	UF0114E	NOK	UH0164E0	NOK
UA0078E0	NOK	UD0066E0	NOK	UF0114E0	NOK	UH0164G0	NOK
UA0080E0	NOK	UD0075E	NOK	UF0115E0	NOK	UH0164J0	NOK
UA0080E0	NOK	UD0075E0	NOK	UF0116E0	NOK	UH0190E	NOK
UA0083E0	NOK	UD0076E	NOK	UF0138E0	NOK	UH0190E0	NOK
UA0083E0	NOK	UD0076E0	NOK	UF0144E	NOK	UH0193F	NOK
UA0085E0	NOK	UD0166E	NOK	UF0144E0	NOK	UH0193F0	NOK
UA0089E0	NOK	UD0166E	NOK	UF0195E	NOK	UH0193F0	NOK
UA0091E	NOK	UD0166E0	NOK	UF0195E0	NOK	UH0208E0	NOK
UA0091E0	NOK	UD0166E0	NOK	UF0200E	NOK	UH0214E	NOK
UA0123E0	NOK	UD0168E	NOK	UF0200E0	NOK	UH0214E0	NOK
UA0160E	NOK	UD0172E0	NOK	UF0213E	NOK	UH0226E0	NOK
UA0160E0	NOK	UD0173E	NOK	UF0213E	NOK	UH0238F	NOK
UA0220E	NOK	UD0173E0	NOK	UF0213E0	NOK	UH0238F0	NOK
UA0220E0	NOK	UD0241E	NOK	UF0213E0	NOK	UH0241E	NOK
UA0504E	NOK	UD0241E0	NOK	UF0215E	NOK	UH0241E0	NOK
UA0504E0	NOK	UD0451E	NOK	UF0215E0	NOK	UH0246E	NOK
UA0509E	NOK	UD0451E0	NOK	UF0216E	NOK	UH0278F0	NOK
UA0509E0	NOK	UD0453E	NOK	UF0216E0	NOK	UH0287F0	NOK
UA0512E	NOK	UD0453E0	NOK	UF0217E	NOK	UH0327E	NOK
UA0512E0	NOK	UD0507E	NOK	UF0217E0	NOK	UH0335E	NOK
UA5087	TW-DI	UD0507E	NOK	UF0219E	NOK	UH0335E0	NOK
UB0017E0	NOK	UD0507E0	NOK	UF0219E0	NOK	UH0335F0	NOK
UB0040E0	NOK	UD0507E0	NOK	UF0225E	NOK	UH0336F	NOK
UB0065E0	NOK	UD0508E	NOK	UF0225E0	NOK	UH0336F0	NOK

! Industrial Size/Type * Minor Width Difference = Call 1-800-480-1212 for price and delivery.

Zero Duplication or Recommended		Zero Duplication or Recommended		Zero Duplication or Recommended		Zero Duplication or Recommended	
Mfr. No.	Name	Mfr. No.	Name	Mfr. No.	Name	Mfr. No.	Name
UH0336G NOK	4359V	UW0134E NOK	473237	V14655 CASE	470605!	VN3657 LETN	J1136
UH0336G0 NOK	4359V	UW0134E0 NOK	473237	V14656 CASE	330385!	VP2099 LETN	J1106
UH0337E0 NOK	3638*	UW0134F NOK	473237	V14657 CASE	472560N!	VP2099 WABCO	J1106
UH0341E0 NOK	3173	UW0179F NOK	4141	V14661 CASE	323138!	VP223 F-R-H	470530!
UH0341E0 NOK	710928	UW0179F0 NOK	4141	V224 CASE	472070	VP224 F-R-H	415027!
UH0351E NOK	3655	UW0180E NOK	710063	V2520 IRON	473444	VP224 F-R-H	415027
UH0351E0 NOK	3655	UW0180E0 NOK	710063	V3187 WAGNR	416654!	VP5012 WABCO	416624!
UH0389E0 NOK	4810V!	UW0180F NOK	4143	V3188 WAGNR	415995!	VS3200 WABCO	415263
UH0390E NOK	712000	UW0180G0 NOK	4143	V3202 WAGNR	415027	VT1020 MINNM	471763
UH0390F NOK	712000	UW0194E NOK	472572	V3202 WAGNR	415027!	VT204 MINNM	340413
UH0394F0 NOK	710101	UW0194E0 NOK	472572	V3270 WAGNR	416271!	VT2090 CASE	472179
UH0394G0 NOK	710101	UW0910E NOK	4333N	V3312 WAGNR	418028	VT2095 CASE	470898
UH0395F0 NOK	710105	UW0914E NOK	472572	V3312 WAGNR	455137!	VT2115 CASE	473426
UH0397G0 NOK	473454	UZ-0516-F NOK	710441	V3321 WAGNR	415991	VT2233 CASE	472287!
UH0403F0 NOK	320259	UZ0206E NOK	4561V	V3321 WAGNR	455146!	VT2316 CASE	450803
UH0404E0 NOK	35X50X8!	UZ0206E0 NOK	4561V	V3322 WAGNR	415449!	VT2817 CASE	471689!
UH0424E0 NOK	714503	UZ0207E0 NOK	4562V	V3324 WAGNR	417343!	VT2905 CASE	471442!
UH0424F NOK	714503	UZ0207F0 NOK	4562V	V3471 WAGNR	417082	VT3249 CASE	412473!
UH0424F0 NOK	714503	UZ0212E NOK	416404!	V410537SS SPG	5711	VT3373 CASE	473467
UH0490E NOK	3214	UZ0212E0 NOK	9864S	V414072SC SPG	226285	VT3401 CASE	471765!
UH0490E0 NOK	3214	UZ0249E NOK	5313	V414072SC SPG	62X85X8!	VT3460 CASE	415458!
UH0492E NOK	331228H	UZ0249E0 NOK	5313	V4249CA1 SPG	4249	VT3465 CASE	472636!
UH0492E0 NOK	331228H	UZ0258E1 NOK	5210	V4258S SPG	710425	VT3502 CASE	415458!
UH0493E NOK	472070	UZ0261E0 NOK	4564V	V4259SS SPG	710562	VT3520 CASE	473215!
UH0493E0 NOK	472070	UZ0263E0 NOK	415082	V4348X WHITE	415449!	VT3525 CASE	471466!
UH0494E NOK	3604	UZ0264E0 NOK	415995	V454073SS SPG	225875	VT3555 CASE	472287!
UH0494E0 NOK	3604	UZ0265E0 NOK	100494	V454073SS SPG	58X75X11!	VT3688 CASE	471224!
UH0543E NOK	4370N	UZ0265E0 NOK	476470	V457997SS SPG	457997	VT3756 CASE	471192
UH0549E0 NOK	42X62X8!	UZ0266E0 NOK	417484	V458009VG SPG	458009V	VT3757 CASE	471192
UH0550E0 NOK	1966	UZ0266E0 NOK	4874N	V4665 IRON	473367!	VT4443 CASE	471766!
UH0630E0 NOK	40375	UZ0290F0 NOK	4544V	V4665 IRON	473367	VT4447 CASE	473367
UH0728F0 NOK	9845	UZ0301E NOK	370036A	V474096SC SPG	225110	VT4447 CASE	473367!
UH0757E0 NOK	4307V!	UZ0301E NOK	370349A	V474096SC SPG	51X65X7!	VT4896 CASE	471466!
UH0766E NOK	115X135X15!	UZ0301E0 NOK	370036A	V474097SC SPG	223605	VT4897 CASE	471267!
UH0766E0 NOK	710258	UZ0301E0 NOK	370349A	V474097SC SPG	36X50X7!	VT4903 CASE	471529
UH0773F NOK	110X130X12	UZ0302E NOK	370065A	V481100VD NATL	471652	VT4928 CASE	471539!
UH0773F0 NOK	2261	UZ0302E0 NOK	370065A	V4812A23 WAGNR	415263	VT4933 CASE	471633!
UH0789E0 NOK	710211	UZ0303E NOK	386025A	V4815A15 WAGNR	6886S	VT4992 CASE	471341!
UH0816E NOK	228410	UZ0303E NOK	416158	V484063SS SPG	223535	VT7116 FUNK	472572!
UH0816E0 NOK	228410	UZ0303E0 NOK	386025A	V495782BG SPG	495782	VTT139 FUNK	472164!
UH0819E1 NOK	2377	UZ0303E0 NOK	416158	V4990BG SPG	4990	VT815 MINNM	470712!
UH0841E0 NOK	710261	UZ0305E NOK	370001A	V5459 IRON	412920!	VT901 MINNM	472015!
UH0910E NOK	4333N	UZ0305E0 NOK	370001A	V6043 MINNM	473231	VX1322 COTTA	J1103
UH0951E NOK	710046	UZ0306E NOK	370023A	V657S CASE	471224	VXS80 COC	471224!
UH0951E0 NOK	710046	UZ0306E NOK	5667	V8020698 WHITE	370003A	VY2163 LETN	416282
UH5005E NOK	710451	UZ0307E NOK	370021A	V93HF-6701-AA FORD	712100	VY67161 WABCO	417238
UH528E0 NOK	50199S!	UZ0307E0 NOK	370021A	VA18291 WABCO	415124	VZ2731 WABCO	412725
UH528E0 NOK	6863S!	UZ0308E NOK	370005A	VC2044 WABCO	455472=	VZ3178 WABCO	710040
UHO351E0 NOK	35X52X8!	UZ0308E0 NOK	370005A	VC93086 WABCO	416888=	VZ4044 WABCO	710027
UJ107 C-R	MD1000	UZ0466E NOK	4503N	VC9667 LETN	415995!	VZ4339 WABCO	710030
UJ51 UNIVE	473227	UZ0466E0 NOK	472572	VC985 LETN	415227=	VZ51501 WABCO	417344
UJ75 UNIVE	471692!	UZ0466F NOK	4503N	VD12473 WABCO	416865	VZ53021 WABCO	415035
UP0079E0 NOK	472705!	UZ0510E NOK	6612S	VH425 IRON	472287!	W026901 HERCU	J1127
UP0119E NOK	471224!	UZ0510E0 NOK	6612S	VH430 IRON	473458!	W03HH101 SPICE	370001A
UP0119E0 NOK	471224!	V1004 HUGKE	473240!	VH5111 WABCO	415072	W03HH101 SPICE	380001A
UP0811E NOK	222630	V1034 HUGKE	415088	VH599 IRON	470950!	W087601 HERCU	473214!
US95133 C-P	240385	V1034 HUGKE	415088!	VH599 IRON	6241S	W089401 HERCU	473464
USN14 ATHEY	474253!	V1055 HUGKE	40337S	VJ964 NORDG	40085S	W093801 HERCU	J1128
UT309 MINNM	473236!	V1064 HUGKE	413246	VL1245 LETN	415234!	W097801 HERCU	J1134
UT309 WHITE	473236!	V127016 RACIN	481537	VL22673 WABCO	471341!	W10-149 W-PTS	223035
UT374 MINNM	417621!	V12701C RACIN	471466!	VL2570 LETN	455556	W10-653 W-PTS	3476
UT374 WHITE	417171!	V12701E RACIN	450188	VL25702 WABCO	455556	W10-657 W-PTS	1110
UT459 MINNM	415027	V12701F RACIN	471442!	VL2588 LETN	413247!	W10-659 W-PTS	224025
UT459 MINNM	415027!	V12701S RACIN	471224!	VL2621 LETN	417353!	W10-664 W-PTS	3771
UT459A MINNM	415437	V12701U RACIN	471341!	VL2986 LETN	416364!	W10-665 W-PTS	473237!
UT459A WHITE	415437	V12701V RACIN	473231!	VL6062 WABCO	417020	W10-669 W-PTS	473237!
UW-0454-E NOK	710402	V12701X RACIN	450188	VL8656 WABCO	472636!	W10-703 W-PTS	228010
UW-0454-E0 NOK	710402	V12701Z RACIN	472164!	VM1154 OLIVE	471766!	W10-704 W-PTS	716102
UW-0561-E0 NOK	710389	V13924 CASE	413310=	VM1585 OLIVE	417191	W10-708 W-PTS	228010
UW-0895-E NOK	710403	V14651 CASE	473224!	VM1585 OLIVE	456585	W10-711 W-PTS	226480
UW0103E NOK	712937	V14653 CASE	471224	VM440 OLIVE	412473!	W10-714 W-PTS	1873
UW0103E0 NOK	712937	V14654 CASE	455134!	VM671 OLIVE	473228	W10-718 W-PTS	227410

! Industrial Size/Type * Minor Width Difference = Call 1-800-480-1212 for price and delivery.

ALPHABETICAL

Zero Duplication or Recommended		Zero Duplication or Recommended		Zero Duplication or Recommended		Zero Duplication or Recommended		
Mfr. No.	Name	Mfr. No.	Name	Mfr. No.	Name	Mfr. No.	Name	
W10-719	W-PTS	716102	W72-092	W-PTS	473677	W72-262	W-PTS	1906
W10-900	W-PTS	716102	W72-094	W-PTS	4099	W72-263	W-PTS	1986
W10098S	CASE	415001!	W72-095	W-PTS	239201	W72-264	W-PTS	444116
W10150	W-PTS	227040	W72-096	W-PTS	224220	W72-269	W-PTS	474134
W10150	W-PTS	70X90X10!	W72-098	W-PTS	224210	W72-270	WMG	1209
W10154	W-PTS	226020	W72-107	W-PTS	1217	W72-272	W-PTS	35X47X7
W10154	W-PTS	60X80X8!	W72-109	W-PTS	1967	W72-273	W-PTS	1884
W10154S	CASE	450275	W72-110	W-PTS	1209	W72-274	W-PTS	48X62X8!
W10439S	CASE	6575S	W72-113	W-PTS	1195	W72-278	W-PTS	3395!
W10642S	CASE	473228	W72-114	W-PTS	1165	W72-280	W-PTS	480630!
W10650	W-PTS	223840	W72-121	W-PTS	223535	W72-281	W-PTS	223535
W10650	W-PTS	38X58X8!	W72-122	W-PTS	223535	W72-283	W-PTS	1906
W10652	W-PTS	224560	W72-124	W-PTS	472213	W72-284	W-PTS	225650
W10652	W-PTS	45X68X7!	W72-126	W-PTS	223014	W72-285	W-PTS	225540
W10655	W-PTS	1994	W72-129	W-PTS	1906	W72-286	W-PTS	482126
W10655	W-PTS	48X70X9!	W72-145	W-PTS	1985	W72-287	W-PTS	224015
W10661	W-PTS	224520	W72-147	W-PTS	473241	W72-291	W-PTS	5696
W10661	W-PTS	45X60X10!	W72-148	W-PTS	473234!	W72-293	W-PTS	1937
W10662	W-PTS	225020	W72-149	W-PTS	471192	W72-294	W-PTS	224772
W10662	W-PTS	50X68X8!	W72-150	W-PTS	472164!	W72-296	W-PTS	226020
W10663	W-PTS	223830	W72-152	W-PTS	1110	W72-297	W-PTS	239129
W10663	W-PTS	38X55X7!	W72-155	W-PTS	471224!	W72091	W-PTS	1216
W10668	W-PTS	1994	W72-156	W-PTS	471224!	W72091	W-PTS	1216N
W10668	W-PTS	48X70X9!	W72-164	W-PTS	482126	W72103	W-PTS	1012
W10709	W-PTS	2001	W72-165	W-PTS	473238!	W72103	W-PTS	1012N
W10709	W-PTS	60X82X12!	W72-177	W-PTS	224015	W72104	W-PTS	1012
W1103	HU-WR	470530!	W72-179	W-PTS	1960	W72104	W-PTS	1012N
W1169	HU-WR	472016	W72-181	W-PTS	41X55X7!	W72106	W-PTS	224045
W117701	HERCU	471570!	W72-182	W-PTS	1959	W72106	W-PTS	40X62X12!
W118001	HERCU	472164!	W72-183	W-PTS	1960	W72112	W-PTS	1174
W1260	WOOL	415088	W72-185	W-PTS	1956	W72112	W-PTS	38X52X8.5!
W1260	WOOL	415088!	W72-188	W-PTS	1188	W72116	W-PTS	1969
W126011035	WOOL	415088!	W72-190	W-PTS	1183	W72116	W-PTS	48X63X9!
W126011035	WOOL	415088	W72-192	W-PTS	1977	W72117	W-PTS	1208
W136301	HERCU	J1103	W72-200	W-PTS	1950	W72117	W-PTS	48X72X7!
W137701	HERCU	J1107	W72-201	W-PTS	1962	W72123	W-PTS	2000
W139701	HERCU	J1123	W72-206	W-PTS	1974	W72123	W-PTS	224235
W140001	HERCU	416294 =	W72-208	W-PTS	1952	W72123	W-PTS	42X58X7!
W15475	CASE	410825	W72-210	W-PTS	1192	W72131	W-PTS	1012
W1581	WOOL	473227	W72-211	W-PTS	1196	W72131	W-PTS	1012N
W158111035	C-W	473227	W72-213	W-PTS	473823	W72132	W-PTS	224045
W158111035	WOOL	473227	W72-217	W-PTS	473812	W72132	W-PTS	40X62X12!
W176511035	WOOL	415047	W72-218	W-PTS	1999	W72136	W-PTS	1174
W182401	HERCU	471781N =	W72-219	W-PTS	473199!	W72136	W-PTS	38X52X8.5!
W208K2E9003	FAFNI	200110	W72-220	W-PTS	1949	W72137	W-PTS	1187
W23838	JOHND	472535	W72-221	W-PTS	1984	W72137	W-PTS	47X68X10!
W320678BX	SPG	225650	W72-222	W-PTS	1992	W72140	W-PTS	1180
W370025BX	SPG	416158	W72-224	W-PTS	1996	W72140	W-PTS	41X55X7!
W45-111	W-PTS	222242	W72-227	W-PTS	1959	W72141	W-PTS	224045
W45-117	W-PTS	3051N	W72-228	WMG	224520	W72141	W-PTS	40X62X12!
W45-143	W-PTS	222242	W72-230	W-PTS	48X68X10!	W72144	W-PTS	1213N
W45116	W-PTS	223010	W72-235	W-PTS	473238!	W72146	W-PTS	224820
W45116	W-PTS	30X42X7!	W72-236	W-PTS	482126	W72146	W-PTS	48X62X8!
W4558VDR	SPG	4795V	W72-237	W-PTS	482126	W72161	W-PTS	224045
W4A5538	ONAN	470334!	W72-238	W-PTS	473238!	W72161	W-PTS	40X62X12!
W518	C-W	415379!	W72-242	W-PTS	2002	W72166	W-PTS	471192
W518	C-W	415379	W72-243	W-PTS	1992	W72173	W-PTS	1181
W518	WOOL	415379	W72-244	W-PTS	1952	W72173	W-PTS	41X56X7!
W518	WOOL	415379!	W72-244	WMG	1952	W72178	W-PTS	224820
W51811035	WOOL	415379	W72-245	W-PTS	334111	W72178	W-PTS	48X62X8!
W51811035	WOOL	415379!	W72-247	W-PTS	473367	W72184	W-PTS	1955
W531	WOOL	415234!	W72-248	W-PTS	494117	W72184	W-PTS	52X65X9!
W53111035	WOOL	415234!	W72-249	W-PTS	473367!	W72186	W-PTS	223542
W563	EATON	HU009A	W72-249	WMG	473367	W72186	W-PTS	35X55X11!
W72-075	W-PTS	224210	W72-250	W-PTS	494122	W72187	W-PTS	224045
W72-076	W-PTS	226285	W72-251	W-PTS	1939	W72187	W-PTS	40X62X12!
W72-077	W-PTS	52X72X8!	W72-254	W-PTS	224015	W72189	W-PTS	1174
W72-078	W-PTS	1948	W72-256	W-PTS	1943	W72189	W-PTS	38X52X8.5!
W72-081	W-PTS	1939	W72-257	W-PTS	1128	W72199	W-PTS	1180
W72-082	W-PTS	1174	W72-258	W-PTS	2003N!	W72199	W-PTS	41X55X7!
W72-084	W-PTS	225650	W72-259	W-PTS	3677	W72202	W-PTS	1973
W72-089	W-PTS	225650	W72-261	W-PTS	413818	W72202	W-PTS	48X65X10!
W72203	W-PTS	224820				W72203	W-PTS	48X62X8!
W72203	W-PTS	48X62X8!				W72204	W-PTS	224270
W72204	W-PTS	224270				W72204	W-PTS	42X72X10!
W72204	W-PTS	1953				W72207	W-PTS	42X60X7!
W72207	W-PTS	1955				W72212	W-PTS	1955
W72207	W-PTS	42X60X7!				W72212	W-PTS	52X65X9!
W72212	W-PTS	1955				W72214	W-PTS	1213N
W72216	W-PTS	1994				W72216	W-PTS	1994
W72216	W-PTS	48X70X9!				W72216	W-PTS	1012
W72223	W-PTS	1012N				W72223	W-PTS	1012N
W72223	W-PTS	45X62X8!				W72223	W-PTS	225020
W72226	W-PTS	225020				W72228	W-PTS	224520
W72228	W-PTS	45X60X10!				W72228	W-PTS	224835
W72228	W-PTS	224835				W72229	W-PTS	48X68X10!
W72229	W-PTS	48X68X10!				W72231	W-PTS	1181
W72231	W-PTS	1181				W72231	W-PTS	41X56X7!
W72231	W-PTS	223542				W72232	W-PTS	223542
W72232	W-PTS	35X55X11!				W72232	W-PTS	1012
W72233	W-PTS	1174				W72233	W-PTS	1174
W72234	W-PTS	38X52X8.5!				W72234	W-PTS	225420
W72239	W-PTS	225420				W72239	W-PTS	54X72X10!
W72239	W-PTS	54X72X10!				W72240	W-PTS	225230
W72240	W-PTS	52X72X8!				W72240	W-PTS	1012
W72241	W-PTS	1012				W72241	W-PTS	1012N
W72241	W-PTS	1012N				W72241	W-PTS	1012
W72241	WMG	1012				W72241	WMG	1012N
W72253	W-PTS	225005				W72253	W-PTS	50X62X7!
W72253	W-PTS	50X62X7!				W72255	W-PTS	226285
W72255	W-PTS	226285				W72255	W-PTS	62X85X8!
W72255	W-PTS	62X85X8!				W72260	W-PTS	225110
W72260	W-PTS	225110				W72260	W-PTS	51X65X7!
W72260	W-PTS	51X65X7!				W72265	W-PTS	225110
W72265	W-PTS	225110				W72265	W-PTS	51X65X7!
W72265	W-PTS	51X65X7!				W72266	W-PTS	223605
W72266	W-PTS	223605				W72266	W-PTS	36X50X7!
W72267	W-PTS	224820				W72267	W-PTS	224820
W72267	W-PTS	48X62X8!				W72267	W-PTS	48X62X8!
W72268	W-PTS	55X82X12!				W72268	W-PTS	55X82X12!
W72270	W-PTS	225010				W72270	W-PTS	225010
W72270	W-PTS	50X65X8!				W72275	W-PTS	1012
W72275	W-PTS	1012				W72275	W-PTS	1012N
W72275	W-PTS	1012N				W72279	W-PTS	1012
W72279	W-PTS	1012				W72279	W-PTS	1012N
W72279	W-PTS	45X62X8!				W72279	W-PTS	45X62X8!
W72282	W-PTS	224255				W72282	W-PTS	224255
W72282	W-PTS	42X65X10!				W72282	W-PTS	42X65X10!
W72288	W-PTS	224820				W72288	W-PTS	224820
W72288	W-PTS	48X62X8!				W72288	W-PTS	48X62X8!
W72290	W-PTS	225110				W72290	W-PTS	225110
W72290	W-PTS	51X65X7!				W72290	W-PTS	51X65X7!
W72290	W-PTS	5695				W72292	W-PTS	223840
W72292	W-PTS	223840				W72292	W-PTS	38X58X8!
W72292	W-PTS	38X58X8!				W72298	W-PTS	225010
W72298	W-PTS	225010				W72298	W-PTS	50X65X8!
W72298	W-PTS	50X65X8!				W72299	W-PTS	710097
W72299	W-PTS	710097				W794	NORDG	473444
W794	NORDG	473444				W853	WOOL	412920!
W853	WOOL	412920!				W85311035	WOOL	412920!
W85311035	WOOL	412920!				W86611035	WOOL	470334!
W86611035	WOOL	470334!				W873	HU-WR	472185!
W873	HU-WR	472185!				W874	HU-WR	412119!
W874	HU-WR	412119!						

! Industrial Size/Type = Call 1-800-480-1212 for price and delivery.

Zero Duplication or Recommended		Zero Duplication or Recommended		Zero Duplication or Recommended		Zero Duplication or Recommended					
Mfr. No.	Name	Mfr. No.	Name	Mfr. No.	Name	Mfr. No.	Name				
W950	NORDG	411245!	WR11064	GW1	417541	X12433	BRAD	472164!	X262339	US-EL	415034!
W963	NORDG	40085S	WR11141	GW1	473245!	X125514	LEROI	480630!	X2671	COC	472560N!
W966	WOOL	470334!	WR11582	GW1	474281!	X13176	PARGN	472258	X2672	COC	471820
WA25030	WABCO	472572!	WR14310	GW1	416888!	X13177	PARGN	415449=	X2711	KOHL	330385!
WA3387	WABCO	416339	WR15090	GW1	472924!	X1318939	GMC	472164!	X27110	KOHL	471646!
WA5900	WABCO	417433	WR16607	GW1	417538	X1334284	GMC	472179	X27113	KOHL	474276!
WA5908	WABCO	416345!	WR254	CEW	224045	X13444	BOSTN	350909	X27114	KOHL	472572!
WA5908	WABCO	455033	WR254	CEW	40X62X12!	X13444	BOSTN	471224!	X27116	KOHL	240215
WA5954	WABCO	5751	WR309	CEW	224235	X1380974	GMC	473179!	X27117	KOHL	340815
WA5955	WABCO	450084!	WR309	CEW	42X58X7!	X13C207	CONTI	471466!	X27118	KOHL	471341!
WA5969	WABCO	472164!	WR398	CEW	1174	X13T-2A	IG-RA	472397!	X2712	KOHL	472287!
WA5989	WABCO	450375!	WR398	CEW	38X52X8.5!	X13T296	IG-RA	450593!	X27124	KOHL	450065
WA5989	WABCO	6936S!	WR546	CEW	228010	X14231	BRAD	471466!	X2713	KOHL	470088
WA5989	WABCO	9845	WR9046	GW1	417211!	X143620	FORD	482253	X2714	KOHL	471466!
WA7052	FORD	410059	WR9255	GW1	417355!	X143621	FORD	474255	X2716	KOHL	471567!
WA7052	FORD	470380!	WR9839	GW1	415196!	X143626	FORD	472012	X2719	KOHL	450398
WAA4676	FORD	6930	WRF1115	AU-WS	5965	X1507	CONTI	471137	X2719	KOHL	471267!
WAA4676B	FORD	6930	WRF1115A	B-L-H	5965	X1512	CONTI	450269	X275	CUSH	471643!
WAA7052A	FORD	410059	WRF1115A	CLARK	5965	X1518	CONTI	473467!	X28	GEHL	472015!
WAA7052A	FORD	470380!	WS238A32	FORD	471652	X1519	CONTI	450446	X28473	FMC	5865
WAA7052A1	FORD	410059	WS238A32	FORD	482208!	X152	ULRIC	472015!	X285525	US-EL	47181!
WAA7052A1	FORD	470380!	WVR23	DEVIL	471538!	X1520	CONTI	408	X28A2122	DALMO	240716
WAT4676A	FORD	6930	WX13136	ALLCH	40370S	X1527	CONTI	412119	X3010	FUNK	472029
WAT4676A3	FORD	6930	WX916	GMC	240385	X15299A	CASE	450984	X301SP799	CLARK	415138!
WAT4676B	FORD	7044NA	WY31912-105	LK-BT	472016	X153	ULRIC	473367!	X32142	FMC	415984!
WAT4676B1	FORD	7044NA	WY31912-109	LK-BT	473245!	X153	ULRIC	473367	X332433102	BOSTN	473010!
WAT4676B2	FORD	7044NA	WY31912-129	LK-BT	415449!	X1553	CONTI	474272!	X332672	WHITE	473367!
WD756	MINNM	474272	WY31912-145	LK-BT	417316!	X1555	CONTI	473467!	X351A	CHERY	417967!
WF01152	RACIN	471442!	WY31912-25	LK-BT	471570!	X1607024	GMC	8871	X352A	CHERY	416107!
WF01164	RACIN	471472!	WY31912-41	LK-BT	476838!	X169759	US-EL	471076	X352A	CHERY	455073
WF0124	RACIN	473226	WY31912-49	LK-BT	471766!	X170185	FORD	471224	X353986	US-EL	200642
WF0145	RACIN	471554!	WY31912-81	LK-BT	472185!	X17036	AMC	473367!	X363	HOUGH	455019!
WF0170	RACIN	474278	WY319121	LK-BT	50199S!	X17036	AMC	473367	X377	HOUGH	472144!
WFD124	RACIN	473226	WY319121	LK-BT	6863S!	X17604	US-EL	450039	X3796	KOHL	470380!
WIR361	ROCKW	JV1113=	WY3191257	LK-BT	471192	X176888	US-EL	471272!	X3799	KOHL	3120N=
WIR381	ROCKW	JX1990=	WZ2731	WABCO	412725	X178187	GMC	240119	X38444A	BOSTN	450593!
WIR441	ROCKW	J1119	X-13-T536	IG-RA	470774!	X17909	GMC	471554!	X407279	WHITE	415007
WIR462	ROCKW	100495	X-301-SL799	B-L-H	472492!	X179175	CUMMI	J1134	X407346	WHITE	410308!
WIR462	ROCKW	5601	X-301-SN799	B-L-H	470380!	X17937A	VICK	340823	X407363	WHITE	410694!
WIR521	ROCKW	JV1122=	X-301-SP799	B-L-H	475138!	X20264143	REX	472397!	X407776	WHITE	474279N
WJ318	F-R-H	417211!	X-602-23715	REX	470950!	X202648143	REX	472397!	X413644	WHITE	55155=
WJ495	F-R-H	455584	X-602-23715	REX	6241S	X203536	REX	473232	X419339	WHITE	417556
WJ618	F-R-H	417211!	X-A445FHA	CASE	472560N!	X20385941	REX	472394	X420538	WHITE	415645!
WK116757	ALLCH	415458!	X0120L200	CONTI	450446	X20433	BOSTN	340771	X420538	WHITE	455104
WKM85641	ALLCH	330385!	X0120L210	CONTI	415389	X20779	FORD	2443	X425651	WHITE	412119
WO-10	ATP	4539H	X0373170	IH	415962	X211111	US-EL	450400	X425746	WHITE	473010!
WO-9	ATP	3622	X0E9	WHITE	473454	X212176	US-EL	415302	X425747	WHITE	472185!
WO100	EGDYN	35094	X1015992	DURA	473313!	X21230	GMC	418028	X425748	WHITE	417316!
WO25598	SKF	25598	X10693	REX	455008	X21230	GMC	455137!	X430339	WHITE	416153!
WO8278	ROL	35316	X10736	AMC	473367!	X21238	GMC	415937!	X43482A	VICK	471192
WO8285	ROL	35292	X10736	AMC	473367	X220073	US-EL	415991	X445016	WHITE	340823
WO8292	ROL	35315	X108	ULRIC	410694!	X220073	US-EL	415991!	X448	HOUGH	417596
WO8307	ROL	427	X109444A	BOSTN	471255!	X220074	US-EL	416380!	X452064	WHITE	480630
WO8307	ROL	427RRR	X10955	BRAD	470380!	X220734	FORD	471763	X46248	GMC	471763
WO8318	ROL	35410	X11144	PARGN	473446	X220903	US-EL	473016!	X46249	GMC	412473!
WO8321	ROL	35402	X115	HOUGH	472394	X221327	US-EL	471821!	X4788	COC	204035
WO8327	ROL	35394	X11518	PARGN	416664!	X221444	BOSTN	471549!	X49063	COC	50514
WO8338	ROL	35094	X1160122	ALLCH	416135!	X221444	BOSTN	472467	X495045	WHITE	470004!
WO8343	ROL	35524	X1160216	ALLCH	416556!	X22270	ALLCH	472636!	X500117401	WHITE	415185H=
WO8348	ROL	35486	X1160216	ALLCH	472157	X223770	US-EL	416288!	X50058	GMC	350156
WO8383	ROL	35524	X1160246	ALLCH	415137!	X225818	US-EL	415988	X50058	GMC	473096
WO8395	ROL	35526	X1160246	ALLCH	418028	X22658	MYERS	455280	X50734	BENDI	340771
WO8396	ROL	35361	X1160303	ALLCH	470954!	X22793	ALLCH	471689!	X50743	BENDI	240319
WO8402	ROL	35531	X1162562	ALLCH	472164!	X22949	ALLCH	472179	X50799	ALLCH	416364!
WO8404	ROL	25598	X1162682	ALLCH	472572!	X22950	ALLCH	471138!	X508175	US-EL	473445
WO93801	HERCU	J1128	X1162694	ALLCH	472397!	X230926	US-EL	415449!	X514308	US-EL	472164!
WO97801	HERCU	J1134	X1162717	FUNK	416154!	X231444101	BOSTN	471684!	X52089	BENDI	472560N!
WP035	EGDYN	35224	X11791	PARGN	473224!	X232829	US-EL	417171!	X52167	BENDI	471267!
WP153151	ALLCH	414268=	X118	ULRIC	472185!	X236	HOUGH	450275	X5229	JOHND	472287!
WP17733	ALLCH	473228!	X11872	BRAD	473231!	X237	HOUGH	470950!	X52444A	BOSTN	471750!
WP9493	ROL	35418	X12127	PARGN	473010!	X237	HOUGH	6241S	X53616	GMC	413246
WR11063	GW1	415995!	X1220	IG-RA	476470	X25215	IH	416865!	X5393	CONTI	472492!

! Industrial Size/Type = Call 1-800-480-1212 for price and delivery.

ALPHABETICAL

Zero Duplication or Recommended		Zero Duplication or Recommended		Zero Duplication or Recommended		Zero Duplication or Recommended	
Mfr. No.	Name	Mfr. No.	Name	Mfr. No.	Name	Mfr. No.	Name
X5397	CONTI	X6811	REX	XA15678	CASE	XAA17322	JOHND
X5414	HU-WR	X6872	REX	XA15683	CASE	XAA18248	JOHND
X5415	BU-SP	X6879	REX	XA15684	CASE	XAA19918	JOHND
X545	CASE	X6931	REX	XA15692	CASE	XAA20808	FORD
X549	CASE	X6995	REX	XA157228	CASE	XAA20808	FORD
X551469	US-EL	X708819	AVCO	XA15769	CASE	XAA21065	FORD
X55311	GMC	X7100	REX	XA15821	CASE	XAA21693	JOHND
X556927	US-EL	X7117	REX	XA158371	CASE	XAA22407	JOHND
X558070	US-EL	X72202A	VICK	XA16138	CASE	XAA2375	JOHND
X560324	US-EL	X72203A	VICK	XA17037	CASE	XAA2973	FORD
X563000	US-EL	X729120	US-EL	XA17416	CASE	XAA33187	JOHND
X565043	US-EL	X730082	US-EL	XA18156	CASE	XAA743	FORD
X569684	US-EL	X730093	US-EL	XA18547	CASE	XAA9322	FORD
X5704	REX	X730624	US-EL	XA18793	CASE	XAB12038	JOHND
X5705	REX	X730625	US-EL	XA18799	CASE	XAB22514	JOHND
X573769	US-EL	X73083	US-EL	XA18809	CASE	XAF22204	JOHND
X5764	REX	X7517	REX	XA19064	CASE	XAF22204	JOHND
X5833	KOHL	X7564	REX	XA19644	GMC	XAG10583	JOHND
X583335	US-EL	X7610	REX	XA20732	CASE	XAG15542	JOHND
X5834	KOHL	X7723	REX	XA20964	CASE	XAG15991	JOHND
X5964	REX	X7810	CONTI	XA21243	CASE	XAG17458	JOHND
X602	REX	X7812	CONTI	XA21672	CASE	XAG18773A	JOHND
X602	REX	X7852	REX	XA21672	CASE	XAG18811	JOHND
X6082	PETTI	X7852	REX	XA21673	CASE	XAG21328A	JOHND
X6114	REX	X7874	REX	XA21673	CASE	XAH91356	JOHND
X6114	REX	X78970	US-EL	XA23602	CASE	XAK2019A	JOHND
X6115	REX	X7903	REX	XA24140	CASE	XAK2027	JOHND
X61397	US-EL	X8006	REX	XA24142	CASE	XAO16492	JOHND
X6160	REX	X8057	REX	XA24683	GMC	XAO16784	JOHND
X6160	REX	X8089	REX	XA249A	BR-WN	XAO5188	JOHND
X6176	REX	X82025	US-EL	XA26033	CASE	XAO5258	JOHND
X61794	US-EL	X8208	REX	XA26425	CASE	XAO75773AA	JOHND
X6205	REX	X8209	REX	XA29463	CASE	XAO77079A	JOHND
X6209	REX	X8210	REX	XA31465	CASE	XAO77631AA	JOHND
X6221	REX	X84534	US-EL	XA40865	CASE	XAO7991A	JOHND
X6221	REX	X84570	DALMO	XA41888	CASE	XAO7991B	JOHND
X628809	WHITE	X84570	US-EL	XA43515	CASE	XAO7992A	JOHND
X6294	REX	X84571	US-EL	XA43515	CASE	XAR15155	JOHND
X630	REX	X84573	US-EL	XA43517	CASE	XAR28635	JOHND
X6329	REX	X89048	US-EL	XA43518	CASE	XAR33144	JOHND
X6335	REX	X89204	US-EL	XA43816	CASE	XARE110	JOHND
X6336	REX	X8948	KEWNE	XA43817	CASE	XARE3342	JOHND
X6349	REX	X8C1190	FORD	XA45392	CASE	XARE4222	JOHND
X6349	REX	X8N4233	FORD	XA5089129	IH	XARE481	JOHND
X6353	REX	X9102126	CHRYSLER	XA5539159	IH	XAW8070B	JOHND
X6363	REX	X96863	GMC	XA5539278	IH	XAW8293A	JOHND
X6364	REX	X96863	GMC	XA5580144	IH	XAY4734	JOHND
X637	REX	X96863	GMC	XA558092	IH	XB6442	CASE
X638090	WHITE	X97421	VICK	XA558092	IH	XB90050	COC
X6382	REX	XA077029AA	JOHND	XA597	AU-LI	XC12933	MID-R
X6387	REX	XA1024	PREST	XA652	AU-LI	XC12962	MID-R
X6389	REX	XA1104	PREST	XA654	AU-LI	XC135639	SCHWI
X6392	REX	XA11248	CASE	XA654436	US-EL	XC138211	SCHWI
X64030	SPICE	XA11339	CASE	XA694	AU-LI	XC330598	FORD
X6486A	VICK	XA11747	CASE	XA710	AU-LI	XC376	BL-KN
X6486A	VICK	XA1176	OLIVE	XA717	AU-LI	XC96755	C-P
X650638	US-EL	XA12384	GMC	XA721	AU-LI	XE13250E	JOHND
X650841	US-EL	XA12523	CASE	XA74217	CASE	XE17609E	JOHND
X654335	US-EL	XA12523	CASE	XA7667A135	LEECE	XE177	OLIVE
X6549	REX	XA129585	CASE	XA78731	ALLCH	XE177	OLIVE
X658057	US-EL	XA130146	CASE	XA813	AU-LI	XE3TW11772	FORD
X6586	REX	XA132694	CASE	XA876	AU-LI	XE82354	FORD
X658621	IH	XA13379	HWY	XA91793	CASE	XED8906	EATON
X65862231	IH	XA13640	CASE	XA91831	CASE	XER90620	EATON
X658623	IH	XA138225	CASE	XA92050	CASE	XER90654	EATON
X661762	US-EL	XA14848	CASE	XA92072	CASE	XER90703	EATON
X662697	EL-MO	XA1487	PREST	XA98870	CASE	XER90724	EATON
X662697	US-EL	XA152753	GMC	XA99254	CASE	XER91444	EATON
X664295	US-EL	XA152753	GMC	XAA13269	JOHND	XER9213	ALLCH
X665395	US-EL	XA153325	CASE	XAA13269A	JOHND	XET95343	EATON
X6744	REX	XA154253	CASE	XAA15602	JOHND		
X6767	REX	XA156617	CASE	XAA15602	JOHND		

! Industrial Size/Type = Call 1-800-480-1212 for price and delivery.

Zero Duplication or Recommended		Zero Duplication or Recommended		Zero Duplication or Recommended		Zero Duplication or Recommended	
Mfr. No.	Name	Mfr. No.	Name	Mfr. No.	Name	Mfr. No.	Name
XET95349	EATON	XW21807	FORD	YS2004	NATSU	Z1089P	EATON
471224!		9568		473242		415725=	
XF52-6700AA	FORD	XW21911	FORD	YS2502	NATSU	Z1089R	EATON
224052		9569S		415449!		471137	
XF5Z-6700AA	FORD	XW2365	CASE	YS3252	ARMCO	Z1089S	EATON
224052		240736		476470		450593!	
XFS2S	CASE	XW24525	FORD	YS3252	NATSU	Z1089T	EATON
473473		473228		476470		473367!	
XG167	OLIVE	XW26444101	BOSTN	YS3340	NATSU	Z1089T	EATON
471766!		470625!		412473!		473367!	
XG168	OLIVE	XW26444102	BOSTN	YS3501	NATSU	Z1089V	EATON
473214!		472185!		415027		470530=	
XG2811	JOHND	XW426700AA	FORD	YS3501	NATSU	Z1089Y	EATON
473227		473454		415027!		415034=	
XG328	OLIVE	XW70063A	JOHND	YS4000	NATSU	Z10909	GMC
471765!		240735		415035!		455480!	
XH11726	FORD	XW8069	FORD	YS4000	NATSU	Z120S201	CONTI
471763		7044NA		415035!		501995!	
XH125254	LEROI	XW8454	FORD	YS4255	NATSU	Z120S201	CONTI
474272		9568		416149		6863S!	
XH139	OLIVE	XW8455	FORD	YS4500	NATSU	Z17036B	OLIVE
472397!		7044NA		416888!		40061S=	
XH1530433	BOSTN	XW8456	FORD	YS4501	NATSU	Z24	COC
472924!		472070		416892!		416271!	
XJ215S	CASE	XW8582	FORD	YS4503	NATSU	Z268	COC
472560N!		8168=		416154!		415995!	
XL205	OLIVE	XX1634135	CATER	YS4620	NATSU	Z273	COC
472016		417171!		415371		417621!	
XL34-7052AA	FORD	XY41050	JOHND	YS4751	NATSU	Z273	WHITE
223012		470950!		415138!		417621!	
XL3P-7052AA	FORD	XY41050	JOHND	YS5120	NATSU	Z289	COC
100189		6241S		455071N*=		365008	
XL484	OLIVE	Y14280	WAUKE	YS5872	NATSU	Z289	WHITE
471138!		40185		455297		365008	
XL76370	NEWVR	Y143218	GA-WO	YS6870	NATSU	Z29154	ALLCH
3459		417351!		455584		415458!	
XLB444	BOSTN	Y14479	WAUKE	YS6886	NATSU	Z310	COC
351028		501995!		472185!		450869	
XLD51181	MARMO	Y14479	WAUKE	YS7622	NATSU	Z320	COC
472179		6863S!		417598		473197	
XM1524	CASE	Y205176	CUMMI	YT156	MINNM	Z320	WHITE
471354!		470898		481864		473197	
XM336725	FORD	Y209810	CUMMI	YT330	MINNM	Z33-S443003950	FAIRB
473234!		471413!		473215!		470950!	
XM507674	FORD	Y324151RX	SPG	YX133	GRAY	Z33-S443003950	FAIRB
472299		324151=		476838!		6241S	
XN300531	FORD	Y344725	IG-RA	Z10260	EATON	Z33-S443015310	FAIRB
472492!		470565!		415023		415138!	
XN305440	FORD	Y381653	WHITE	Z1026AC	EATON	Z33-S443173945	FAIRB
471820		415995!		416339		470950!	
XN307035	FORD	Y383784	IG-RA	Z1026AC	EATON	Z33-S443173945	FAIRB
472164!		415725!		455031!		6241S	
XN307049	LEROI	Y400B-225	CONTI	Z1026AD	EATON	Z403	COC
472287!		470334!		474273		412861	
XN322499	FORD	Y400K3330	CONTI	Z1026AF	EATON	Z414	COC
450911N!		BS1280		412871!		471224!	
XN337312	FORD	Y4170	GRAY	Z1026AH	EATON	Z414	WHITE
473234!		471766!		417262!		471224!	
XN606422	FORD	Y4323	GRAY	Z1026B	EATON	Z4405VX	SPG
473228!		450398		471137		4405V	
XN608008	FORD	Y4323	GRAY	Z1026BA	EATON	Z525	COC
200642		471267!		472157!		417344!	
XN609020	FORD	Y5045	WAUKE	Z1026BA	EATON	Z535	COC
415027!		470334!		472157		470774!	
XN609020	FORD	Y5229	JOHND	Z1026BD	EATON	Z536	COC
415027!		472287!		473214!		415458!	
XN610356	FORD	Y6569	WAUKE	Z1026C	EATON	Z540	COC
455625=		472015!		450593!		450269	
XN610357	FORD	Y6572	WAUKE	Z1026D	EATON	Z550	WHITE
455396		474265		476838!		6575S	
XO16817	JOHND	Y66379	WHITE	Z1026E	EATON	Z576	COC
471341!		370006A		471750!		473444	
XO37818	JOHND	Y714599	WHITE	Z1026F	EATON	Z599	COC
450188		417484!		473215!		470625!	
XOS175	BOSTN	Y714702	WHITE	Z1026G	EATON	Z599	WHITE
476820		415138!		470059		470625!	
XOS212	BOSTN	Y717703	WHITE	Z1026G	EATON	Z606	COC
476808=		476470!		470380!		473313	
XOS400	BOSTN	Y717703	WHITE	Z1026H	EATON	Z6067	OLIVE
476816=		476470		473367!		473838!	
XP32496	FORD	Y717754	WHITE	Z1026H	EATON	Z6068	OLIVE
331107N		5M497		473367		471766!	
XP34777	FORD	Y825170	WHITE	Z1026I	EATON	Z6205	OLIVE
331107N		472179		470334!		473016!	
XP67266	FORD	Y827376	WHITE	Z1026J	EATON	Z6206	OLIVE
7692S		412871!		450084!		471192	
XP67267	FORD	Y827377	WHITE	Z1026K	EATON	Z6572	JOHND
7300S		416921!		470530!		476838!	
XP76539	FORD	Y904016	EL-PA	Z1026L	EATON	Z6572H	JOHND
473473		417621!		415001!		476838!	
XPG-F4922	AU-WS	Y91L202	CONTI	Z1026M	EATON	Z6573	JOHND
472409		472924!		415960!		471750!	
XPGF16067	AU-WS	YF630	F-R-H	Z1026N	EATON	Z668	COC
415995!		417354!		415995!		340724!	
XR12370	CASE	YL24-3N296AA	FORD	Z1026O	EATON	Z668	WHITE
473231		714675		415023		340724!	
XR3102	FORD	YL2Z-4L616AA	FORD	Z1026P	EATON	Z6855	OLIVE
410059		714675		415025		471689	
XR3102	FORD	YL2Z-4L616AB	FORD	Z1026Q	EATON	Z7151	JOHND
470380!		714675		415027!		411253!	
XR7221	OLIVE	YL84-7052AA	FORD	Z1026Q	EATON	Z7151H	JOHND
J1119		1990		415027		411253!	
XR7221	WHITE	YL8P7H260AA	FORD	Z1026R	EATON	Z834270	EL-PA
J1119		481191V		416345!		473458!	
XR737	OLIVE	YL8W-7H426-AA1	FORD	Z1026R	EATON	Z835639	EL-PA
340356		3604		455033		471750!	
XS120398	CASE	YL8W-7H426-AA1	FORD	Z1026S	EATON	Z902417	EL-PA
416167!		4846		415035!		417316!	
XSP8600A	CASE	YL8W-7H429-AA1	FORD	Z1026T	EATON	Z90343	EL-PA
470088		471113V		415058		472924!	
XSP8714	CASE	YL8W-7H469-CA	FORD	Z1026U	EATON	Z93324	GMC
413247!		100566		415351!		474278	
XT15166	C-W	YL8Z1177AA	FORD	Z1026V	EATON	Z9342A	GMC
415483!		481191V		416107!		471466!	
XT154119	C-W	YS0500	NATSU	Z1026V	EATON	ZNL749	DURA
416229		471442!		455073		473214!	
XT60694	FORD	YS0750	NATSU	Z1026W	EATON	ZNL750	DURA
7442H		471554!		417562		473236!	
XT67101	GMC	YS10002	NATSU	Z1026X	EATON	ZNM0-33-067	FORD
471692!		417020		415035		8312	
XT7584	GMC	YS1500	NATSU	Z1026X	EATON	%428454C91	IH
6936S		470059		415035!		370003A	
XU171444B	BOSTN	YS1500	NATSU	Z1089AA	EATON	00014002456	LF-PT
471224!		470380!		417262!		470898	
XVP2099	LETN	YS1503	NATSU	Z1089B	EATON	00014002695	LF-PT
J1106		474281!		473214!		415449!	
XVR1035	ESSIC	YS1560	NATSU	Z1089C	EATON	00014003254	LF-PT
415991		473229		450059V=		415196!	
XVR1035	ESSIC	YS1561	NATSU	Z1089D	EATON	00014012850	LF-PT
455146!		473229		473232=		485725N	
XWWSF27433	BOSTN	YS1562	NATSU	Z1089E	EATON	00029141	SPERY
470954!		473229		470334=		474278	
XW15754	FORD	YS1590	NATSU	Z1089F	EATON	0003207340	RENAU
9569S		482253		472439=		713152	
XW1652	FORD	YS1753	NATSU	Z1089G	EATON	0006116	HYST
6930		472185!		470898=		415645!	
XW19076	FORD	YS1871	NATSU	Z1089K	EATON	0006570	HYST
473228		473238		417349=		415035	
XW19835	FORD	YS1872	ARMCO	Z1089L	EATON	0006570	HYST
9363S		472572!		455566=		415035!	
XW20317	FORD	YS1872	NATSU	Z1089M	EATON	0007959	HYST
51322		472572!		455146V=		415351!	
XW20318	FORD	YS2000	NATSU	Z1089N	EATON	0008329	HYST
9161		470530!		472157=		470530!	

! Industrial Size/Type * Minor Width Difference = Call 1-800-480-1212 for price and delivery.

ALPHABETICAL

Zero Duplication or Recommended		Zero Duplication or Recommended		Zero Duplication or Recommended		Zero Duplication or Recommended	
Mfr. No.	Name	Mfr. No.	Name	Mfr. No.	Name	Mfr. No.	Name
0075-6531SS	JN-MN	0095226	CHRY	010392	AVCO	0118-6474SS	JN-MN
0075-6932LA	JN-MN	0096-11316SS	JN-MN	01039LX	CASE	0118-7011LUP	JN-MN
0075-8463LUP	JN-MN	0096-11893LUP	JN-MN	010409085	VW	0118-9511LPD	JN-MN
0075-9240LUP	JN-MN	0096-5853LA	JN-MN	010409085	VW	011810500LPD	JN-MN
0075-9339LUP	JN-MN	0096-9744LUP	JN-MN	010409085D	VW	011810569LUP	JN-MN
0075-9651LUP	JN-MN	00967612	ALLCH	010409529B	VW	011810682LPD	JN-MN
0075-9983LUP	JN-MN	0097069	HYST	010409529B	VW	01183BR	SABO
0075-9992LPD	JN-MN	00977BR	SABO	010409529B	VW	01186162LUP	JN-MN
00753081033	ALLCH	0098-13044LPD	JN-MN	01040LX	CASE	011892	AVCO
00756268SS	JN-MN	0098-13994LPD	JN-MN	0105-6424LA	JN-MN	0119488	HYST
00757674	ALLCH	0098-5324SS	JN-MN	010547	AVCO	0119970647	MERCE
0077115	HYST	0098-6755LPD	JN-MN	010570AB	CASE	0119975147	MERCE
0077692	HYST	0098-7116LUP	JN-MN	0106-14672LPD	JN-MN	011V15BULK	NATL
0077993	HYST	009814589SS	JN-MN	0106-5723LUP	JN-MN	012224	AVCO
0078-14779LPD	JN-MN	009814589SS	JN-MN	0106-5724LPD	JN-MN	01231AB	CASE
0078-18798LUP	JN-MN	0098471	HYST	0106-6771SS	JN-MN	0123270	HYST
0078016	HYST	0098524	HYST	0106-7215LUP	JN-MN	012367	AVCO
007855523	LF-PT	0098643	HYST	0106-9013LUP	JN-MN	012367	AVCO
00792762	ALLCH	0098732	HYST	0106-9276LPD	JN-MN	012401	AVCO
0079385	HYST	0098D3902	LF-PT	010615	VICK	012404	AVCO
0079385	HYST	009973547	MERCE	010615	VICK	012404	AVCO
0079389	HYST	0099978947	MERCE	01061528	VICK	0125-10058LUP	JN-MN
00796BR	SABO	01-50140	LILIS	01061528	VICK	0125-10608SS	JN-MN
0080-11924LPD	JN-MN	010-409-085E	AUDI	01069363LPD	JN-MN	0125-10833SS	JN-MN
00802975	ALLCH	010-409-085E	VW	010756AB	CASE	0125-10877SS	JN-MN
0081-10403LPD	JN-MN	010-409-255	VW	010816AB	CASE	0125-11583SS	JN-MN
0081-12406LPD	JN-MN	010-409-255A	VW	010816AB	CASE	0125-11982LUP	JN-MN
0081-13438LPD	JN-MN	010-409-529C	AUDI	010817	CASE	0125-13578LDS	JN-MN
0081-13647LPD	JN-MN	010-409-529C	VW	010817	CASE	0125-14904LDS	JN-MN
0081-15451LPD	JN-MN	010-409-568	AUDI	010817AB	CASE	0125-5026LA	JN-MN
0081-5292SS	JN-MN	010-409-568	VW	010817AB	CASE	0125-5164SS	JN-MN
0081-7348LPD	JN-MN	010-409-568A	VW	010846AB	CASE	0125-5389LUP	JN-MN
0081-9743LPD	JN-MN	0100-10615SS	JN-MN	010876AB	CASE	0125-5727LA	JN-MN
00815BR	SABO	0100-10749LPD	JN-MN	010889AB	CASE	0125-6328SS	JN-MN
00825BR	SABO	0100-10751LUP	JN-MN	0109000	HYST	0125-8820LPD	JN-MN
00839BR	SABO	0100-10952LUP	JN-MN	0109224	HYST	0125-8924LPD	JN-MN
0084-13062LPD	JN-MN	0100-12489LUP	JN-MN	010983AB	CASE	0125-9180LPD	JN-MN
0086-17420SS	JN-MN	0100-13458LUP	JN-MN	0109970947	MERCE	0125-9273LPD	JN-MN
0087-13581LPD	JN-MN	0100-13673LPD	JN-MN	0109973347	MERCE	012510053LPD	JN-MN
0087-5118SS	JN-MN	0100-14058LUP	JN-MN	0109224	HYST	012510053LPD	JN-MN
0087-5720LPD	JN-MN	0100-15668LUP	JN-MN	0112-10616SS	JN-MN	012511193LPD	JN-MN
0087-5780SS	JN-MN	0100-16447LUP	JN-MN	0112-11834SS	JN-MN	01255728LUP	JN-MN
0087-6133SS	JN-MN	0100-17694LDS	JN-MN	0112-17691LDS	JN-MN	01255729LUP	JN-MN
0087-6158SS	JN-MN	0100-5629LPD	JN-MN	0112-17701LUP	JN-MN	01255729LUP	JN-MN
0087-6499SS	JN-MN	0100-5700SS	JN-MN	0112-5254SS	JN-MN	0125663	HYST
0087-6710SS	JN-MN	0100-5764SS	JN-MN	0112-5298SS	JN-MN	0125689	HYST
0087-6988LPD	JN-MN	0100-5793SS	JN-MN	0112-5307SS	JN-MN	012569	AVCO
0087-8465LPD	JN-MN	0100-5986LA	JN-MN	0112-5583LPD	JN-MN	012570	AVCO
0087-9415LPD	JN-MN	0100-6007LUP	JN-MN	0112-7054LUP	JN-MN	0125710	HYST
0087-9975LPD	JN-MN	0100-6084LUP	JN-MN	0112-9065LUP	JN-MN	012572	AVCO
0087355	HYST	0100-6330LPD	JN-MN	0112-9460LUP	JN-MN	012574	AVCO
0087382	HYST	0100-8442SS	JN-MN	0112-9558LUP	JN-MN	01259028LUP	JN-MN
00875660LUP	JN-MN	0100-8485LPD	JN-MN	0112-9625LUP	JN-MN	01259423LPD	JN-MN
00875660LUP	JN-MN	0100-8814LUP	JN-MN	0112-9714LPD	JN-MN	0126-15054LPD	JN-MN
0087656	HYST	0100-8975LPD	JN-MN	0112-9789LUP	JN-MN	012617278LUP	JN-MN
00878464LUP	JN-MN	0100-9520LUP	JN-MN	0112-9848LUP	JN-MN	012617278LUP	JN-MN
0088035	HYST	0100-9900LUP	JN-MN	01129650LPD	JN-MN	0126769	HYST
0088176	HYST	010010183LUP	JN-MN	011299	AVCO	012751	AVCO
0089307	HYST	01001CU	CASE	0115	GARLK	012851	AVCO
0089970146	MERCE	01002	WEBER	0115-5212LUP	JN-MN	012915491LPD	JN-MN
0089970146	MERCE	010032AB	CASE	0116	GARLK	012943	AVCO
0089971146	MERCE	01008D	CASE	01160BR	SABO	0129499	HYST
0089971146	MERCE	01009859LUP	JN-MN	011613200	EATON	012964	AVCO
0093-10229LUP	JN-MN	0101493	THIOK	011613200	EATON	0129936	HYST
0093-5880LPD	JN-MN	010187	AVCO	011641	AVCO	0129977447	MERCE
0093-6728LA	JN-MN	010188	AVCO	0118-10426LUP	JN-MN	0131-12210LPD	JN-MN
0093-6800LPD	JN-MN	010192	AVCO	0118-15129LPD	JN-MN	0131-12830LPD	JN-MN
0093-8928LPD	JN-MN	010195	AVCO	0118-16465LDS	JN-MN	0131-14341LPD	JN-MN
0093-8928LPD	JN-MN	0102602	HYST	0118-17236LUP	JN-MN	0131-6134LPD	JN-MN
0093-9186LUP	JN-MN	0103-5132SS	JN-MN	0118-18463LUP	JN-MN	0131-7109LA	JN-MN
00930838	ALLCH	0103-6704SS	JN-MN	0118-5204LPD	JN-MN	0131-9630LPD	JN-MN
00939219LPD	JN-MN	01038B	SABO	0118-6309SS	JN-MN	0133456	HYST

! Industrial Size/Type * Minor Width Difference = Call 1-800-480-1212 for price and delivery.

Zero Duplication or Recommended		Zero Duplication or Recommended		Zero Duplication or Recommended		Zero Duplication or Recommended		
Mfr. No.	Name	Mfr. No.	Name	Mfr. No.	Name	Mfr. No.	Name	
0133523	HYST	455019!	0150-10172LPD JN-MN	470625!	0161003 LILIS	473236!	0175-18036LUP JN-MN	471141!
0134717	HYST	471231!	0150-11272SS JN-MN	340136	0161014 LILIS	473197	0175-18419LDS JN-MN	471831!
0137-10404LUP	JN-MN	473214	0150-11654LUP JN-MN	481163!	016168500 EATON	410752	0175-19062LDS JN-MN	472164!
0137-10485LUP	JN-MN	472258!	0150-12184LUP JN-MN	5115	016170700 EATON	471224!	0175-4465LUP JN-MN	472179
0137-10524LUP	JN-MN	470950!	0150-12294LPD JN-MN	473440!	016171000 EATON	471424!	0175-5597LUP JN-MN	472185!
0137-10524LUP	JN-MN	6241S	0150-14618LDS JN-MN	473228!	0162-10035LPD JN-MN	473232!	0175-5772LUP JN-MN	470334!
0137-10753LUP	JN-MN	470774!	0150-15143LDS JN-MN	474281!	0162-10060LPD JN-MN	473010!	0175-5993SS JN-MN	450400
0137-10855LPD	JN-MN	472354!	0150-5414LUP JN-MN	410190	0162-12007LPD JN-MN	473367!	0175-8461LUP JN-MN	470088
0137-11568LPD	JN-MN	472287!	0150-5619SS JN-MN	473228!*	0162-12007LPD JN-MN	473367	0175-8887LUP JN-MN	473448
0137-14854LPD	JN-MN	470774!	0150-5696LUP JN-MN	474281!	0162-13517LDS JN-MN	473367	0175-9076LPD JN-MN	471984
0137-15099LUP	JN-MN	471192	0150-5734LUP JN-MN	473440!	0162-17687LDS JN-MN	473231!	0175-9077LPD JN-MN	472185!
0137-18799LUP	JN-MN	450516	0150-5821SS JN-MN	470625!	0162-17745LUP JN-MN	481864	0175-9710LUP JN-MN	470334!
0137-3740LPD	JN-MN	473214!	0150-6679LUP JN-MN	473227!	0162-3965LPD JN-MN	473010!	0175-9799LPD JN-MN	471504!
0137-4000LDS	JN-MN	473214!	0150-7033LUP JN-MN	470625!	0162-40043LDS JN-MN	473231!	0175-9854LUP JN-MN	472164!
0137-5153SS	JN-MN	473214!	0150-9041LUP JN-MN	473228	0162-6001LA JN-MN	473231	0175-9947LUP JN-MN	471141!
0137-5271SS	JN-MN	472258!	0150-9056LUP JN-MN	451857	0162-6056LUP JN-MN	473010!	0175-9955LUP JN-MN	472179
0137-5644LUP	JN-MN	473215!	0150-9483LPD JN-MN	473228!	0162-6419SS JN-MN	473231!	01751BRG SABO	712009
0137-5731LPD	JN-MN	470950!	0150-9831LPD JN-MN	481163!	0162-6509LA JN-MN	473232	0176-6234LA JN-MN	6936S
0137-5731LPD	JN-MN	6241S	0150-9952LUP JN-MN	473228	0162-7073LUP JN-MN	473231	0176364 HYST	471138!
0137-5804SS	JN-MN	472258!	015000 AVCO	473227!	0162-7365LUP JN-MN	473367!	0177-11499LUP JN-MN	50266
0137-5830SS	JN-MN	471192	0150006 LILIS	200354	0162-7365LUP JN-MN	473367	0177-18375LUP JN-MN	1979
0137-5983LA	JN-MN	472287!	015001 AVCO	472394	0162-9636LUP JN-MN	473232!	0177-18539LDS JN-MN	1979
0137-60013LDS	JN-MN	473214!	0150030 HYST	410190	0162-9849LUP JN-MN	473444	0177-6226LA JN-MN	450285
0137-6369SS	JN-MN	323138!	015011100LPD JN-MN	470059	0162-10405LPD JN-MN	474274	017713066LPD JN-MN	224570
0137-6506SS	JN-MN	471192*	015011100LPD JN-MN	470380!	01625BR SABO	27X42X10	017713066LPD JN-MN	45X72X12!
0137-6528LA	JN-MN	470774!	015011172LPD JN-MN	470059	016321 JOHND	471466!	017717392LUP JN-MN	1012*
0137-6786LA	JN-MN	450776!	015011172LPD JN-MN	470380!	0163871 HYST	417487!	017717392LUP JN-MN	1012N*
0137-8449SS	JN-MN	470950!	0150158 HYST	474281!	0163871 HYST	417487	017717392LUP JN-MN	45X62X8!*
0137-8449SS	JN-MN	6241S	0150194 HYST	415867	0163912 HYST	473459	0178-12678LPD JN-MN	452742
0137-9080LUP	JN-MN	472354!	015077 AVCO	471224!	0164639 HYST	JV1166	0178345 HYST	415294!
0137-9394LUP	JN-MN	471835!	01507BR SABO	24X42X10	01669BR SABO	55X100X13	0179177 ALLCH	455655!
0137-9733LPD	JN-MN	471276	0152848 HYST	417480!	0167176 HYST	417602!	0179603 HYST	417545
0137174 HYST		417269!	0152863 HYST	416278	01672BR SABO	10X22X7!	0179633 HYST	415962
01378831LPD	JN-MN	471192	0152883 HYST	416888!	0168-10054LUP JN-MN	473234!	01796432 ALLCH	415023
0138120 HYST		472258!	015326 AVCO	471958	0168-10250LUP JN-MN	473234	01797372 ALLCH	352541
0139852 HYST		340847	0153716 HYST	200885	0168-11015LPD JN-MN	470086	01798BAG SABO	58X85X13
0139971447	MERCE	712003	01551BR SABO	35X58X10	0168-15767LDS JN-MN	473234!	018-321-243 AUDI	224052
014-311-113	AUDI	222030	0155346 HYST	417343!	0168-16241LUP JN-MN	473235!	018-321-243 VW	224052
014-311-113	VW	222030	0155361 HYST	JX1190	0168-16467LDS JN-MN	473235!	01805977 ALLCH	415027=
014-311-113F	VW	222030	01553BR SABO	45X72X95	0168-5669LA JN-MN	473234	0181-13922LDS JN-MN	473450!
014-409-399B	AUDI	224052	0155402 HYST	J1111	0168-5690LPD JN-MN	473445	0181-15020LPD JN-MN	472020
014-409-399B	VW	224052	0155403 HYST	412920	0168-60023LDS JN-MN	473235!	0181-5630LUP JN-MN	473449!
014-409-399D	AUDI	224052	0155577 HYST	471538!	0168-60026LDS JN-MN	473235!	0181-5988LA JN-MN	450090
014-409-399D	VW	224052	0156-10190LPD JN-MN	476510=	0168-6122LUP JN-MN	474265	0181-9168LPD JN-MN	472070
01404086	ALLCH	470530!	0156-11514LPD JN-MN	471827!	0168-7031LUP JN-MN	474265	01814BRG SABO	1965
0140471	HYST	415725!	0156-14019LUP JN-MN	472299	0168-7048LPD JN-MN	473233!	0181692 HYST	416921!
0141113	HYST	415725=	0156-15198LPD JN-MN	473229!	0168-8815LUP JN-MN	473233!	0181737 HYST	471766!
0141149	HYST	417605	0156-15770LDS JN-MN	473229!	0168-8861SS JN-MN	473236!	0182614 HYST	471341!
0141671	HYST	417603!	0156-17486LUP JN-MN	472299	0168-9395LUP JN-MN	473236!	0184-8510LUP JN-MN	473453
0143-12894SS	JN-MN	473244!	0156-3876LUP JN-MN	473229!	0168-9935SS JN-MN	473235!	018409399 VW	224520
0143-13554LUP	JN-MN	473016!	0156-5536LUP JN-MN	473229	017-525-275B	AUDI	1217	
0143-19084LDS	JN-MN	3395!	0156-5627LPD JN-MN	470682	0171-5480LPD JN-MN	50191	018409399 VW	45X60X10!
0143-19084LDS	JN-MN	352444	0156-6836LUP JN-MN	472213	01721BRG SABO	712009	0184926 HYST	415138!
0143-4050LPD	JN-MN	473225!	0156-9445LPD JN-MN	471821!	01722N	CASE	415007	
0143-4850LPD	JN-MN	473016!	0156042 HYST	413247!	017304550001	JOY	415138!	
0143-5732LUP	JN-MN	473226	0156200 HYST	416229	017304550003	JOY	455576!	
0143-7047LA	JN-MN	473224!	0156205 HYST	471424!	01737BR SABO	11X17X4	0187-14905LDS JN-MN	472439
0143-7216LUP	JN-MN	473224!	0156220 HYST	415897	0174277 HYST	412473!	0187-16012LUP JN-MN	473239!
0143-7346LPD	JN-MN	474264	0156223 HYST	415458!	01746B SABO	20X42X10	0187-17670LDS JN-MN	473238!
0143-9181LUP	JN-MN	3395!	0156234 HYST	416339	0175-10380LUP JN-MN	472185!	0187-17793LUP JN-MN	472439
0143-9181LUP	JN-MN	352444	01565542LPD JN-MN	455655!*	0175-10617SS JN-MN	40183S!	0187-5576SS JN-MN	414045!*
0143-9454LPD	JN-MN	473225!	0157-11302LPD JN-MN	482253	0175-11241LPD JN-MN	473313	0187-5750LA JN-MN	472572!
0143040	HYST	415498	0157-11498LPD JN-MN	482253	0175-11518LPD JN-MN	473237!	0187-5773LA JN-MN	414045!
0145752	HYST	471267!	0157-14577LPD JN-MN	224025	0175-11822SS JN-MN	473237!	0187-5826LPD JN-MN	472439
0145753	HYST	471224!	0157-17405LUP JN-MN	224025	0175-12006LPD JN-MN	470334!	0187-6727LA JN-MN	473238
0146-10055LPD	JN-MN	470625!	0157884 HYST	417316!	0175-13852LDS JN-MN	472179	0187-6936LPD JN-MN	473238!
0146-11809LUP	JN-MN	450523	01589BR SABO	33X52X6	0175-14621LDS JN-MN	472185!	0187-8989LUP JN-MN	450084!
0146-4193LUP	JN-MN	473439!	0159178 HYST	416130!	0175-14849LPD JN-MN	472164!	0187-9189LPD JN-MN	472572!
01464193LPD	JN-MN	473439!	0159295 HYST	45637S	0175-14975LPD JN-MN	472164!*	0187-9190LPD JN-MN	473240!
014848	AVCO	417082	0159572 HYST	416624!	0175-15557LUP JN-MN	472164!	0187-9550LUP JN-MN	472439
014911427LUP	JN-MN	480630!	016-409-399B	AUDI	224520	0175-16371LUP JN-MN	0187-9694SS JN-MN	473238!
01499643LPD	JN-MN	480630!	016-409-399B	VW	224520	0175-17757LDS JN-MN	018726154 CEW	1214

! Industrial Size/Type * Minor Width Difference = Call 1-800-480-1212 for price and delivery.

Zero Duplication or Recommended		Zero Duplication or Recommended		Zero Duplication or Recommended		Zero Duplication or Recommended	
Mfr. No.	Name	Mfr. No.	Name	Mfr. No.	Name	Mfr. No.	Name
0225-10982LPD	JN-MN	025-105-249A	AUDI	0265659	HYST	0275-6140LA	JN-MN
0225-12842LDS	JN-MN	025-105-249A	VW	02662BR	SABO	0275-6257LPD	JN-MN
0225-13316LDS	JN-MN	0250-10036LPD	JN-MN	0266728	HYST	0275-7128LUP	JN-MN
0225-15889LUP	JN-MN	0250-10121LUP	JN-MN	0267538	HYST	0275-8436LUP	JN-MN
0225-16268SS	JN-MN	0250-10184LUP	JN-MN	02685BR	SABO	0275-8470LUP	JN-MN
0225-17113LUP	JN-MN	0250-10208LUP	JN-MN	0268911	HYST	0275-8857LPD	JN-MN
0225-18412LDS	JN-MN	0250-10345LPD	JN-MN	027021808	WHITE	0275-9732LUP	JN-MN
0225-6013SS	JN-MN	0250-10619SS	JN-MN	0270501	EIMCO	02750101	EIMCO
0225-6296LA	JN-MN	0250-10797LUP	JN-MN	02707-4962	WHITE	02750102	EIMCO
0225-6336LUP	JN-MN	0250-11167LPD	JN-MN	027089859	WHITE	02750200	EIMCO
0225-8493LPD	JN-MN	0250-14620LDS	JN-MN	0271	INTDE	02750200	EIMCO
0225-8494LPD	JN-MN	0250-15566LDS	JN-MN	0271	INTDE	02750301	EIMCO
0225-8495LPD	JN-MN	0250-16933LUP	JN-MN	02710	INTDE	02750302	EIMCO
0225-8991LUP	JN-MN	0250-18720LUP	JN-MN	02710101	EIMCO	02750502	EATON
0225-9218LPD	JN-MN	0250-5542LPD	JN-MN	02710201	EIMCO	0275067	HYST
0225-9686LPD	JN-MN	0250-5598LUP	JN-MN	02711	INTDE	027502	CLAYE
0225-9715LUP	JN-MN	0250-5744LUP	JN-MN	02712	INTDE	0276	INTDE
02264BRG	SABO	0250-6924LA	JN-MN	02713	INTDE	0276603	HYST
02276798	ALLCH	0250-7027LA	JN-MN	02713CK	CASE	0276983	HYST
022818810LUP	JN-MN	0250-8496LPD	JN-MN	02714	INTDE	0277	INTDE
022818810LUP	JN-MN	0250-8497LUP	JN-MN	02715	INTDE	0277	INTDE
02284BD	CASE	0250-8865LPD	JN-MN	02716	INTDE	0278	INTDE
02288	SABO	0250-9751LUP	JN-MN	02717	INTDE	0279	INTDE
0231-15065LUP	JN-MN	0250-9790LUP	JN-MN	02718	INTDE	0279522	HYST
0231-16535LUP	JN-MN	0250-9863LPD	JN-MN	02719	INTDE	028011	BENDI
0231-17817LUP	JN-MN	02511BRAG	SABO	0272	INTDE	0281-11148LPD	JN-MN
0231-9149LUP	JN-MN	02511BRAGF	SABO	0272	INTDE	0281-11558LUP	JN-MN
0231950	HYST	02512BRGE	SABO	02720401	EIMCO	0281-18778LUP	JN-MN
0232220	HYST	02516BRGE	SABO	02720502	EIMCO	028293K	JOHND
0234-9750LUP	JN-MN	0255-14610LPD	JN-MN	02721	INTDE	0285-10528LPD	JN-MN
0234003	HYST	0255-17760LUP	JN-MN	02721	INTDE	0287-10004LPD	JN-MN
0234047	HYST	0255-18376LUP	JN-MN	02722	INTDE	0287-10065LUP	JN-MN
023510	EVERS	0255-40039LDS	JN-MN	02723	INTDE	0287-10087LPD	JN-MN
0235430	HYST	0256-13768LUP	JN-MN	027233	BL-KN	0287-10097LUP	JN-MN
0236-11453LPD	JN-MN	0256-6869LUP	JN-MN	02724	INTDE	0287-10165LPD	JN-MN
023614643LPD	JN-MN	0256-9188LPD	JN-MN	02725	INTDE	0287-11780LUP	JN-MN
023614643LPD	JN-MN	02572500	EL-WH	02726	INTDE	0287-13553LPD	JN-MN
0236836	HYST	02585110V	EATON	02726	INTDE	0287-17731LDS	JN-MN
0236939	EATON	0258511AM	EATON	02728	INTDE	0287-5956LA	JN-MN
0237-11875LPD	JN-MN	0258511BF	EATON	02729	INTDE	0287-6042SS	JN-MN
0237-13315LDS	JN-MN	0258511BR	EATON	0273	INTDE	0287-9488LUP	JN-MN
0237-15457LPD	JN-MN	0258511BR	EATON	02730301	EIMCO	0287-9876LPD	JN-MN
0237-16536LUP	JN-MN	0258511BV	EATON	02730301	EIMCO	0287-9918LPD	JN-MN
0237-40042LDS	JN-MN	0258511RR	EATON	02730501	EIMCO	0289796	HYST
0237-5931LUP	JN-MN	0259805	HYST	02730501	EIMCO	029-105-245	PORSC
0237-6071LA	JN-MN	026-103-051A	AUDI	02731	INTDE	029-105-245	VW
0237-6879LA	JN-MN	026-103-085D	AUDI	02732	INTDE	029-105-245A	PORSC
0237-9144LPD	JN-MN	026-103-085D	VW	02733	INTDE	029-105-245A	VW
0237-9319LUP	JN-MN	026-103-085J	AUDI	02734	INTDE	0293-11308LPD	JN-MN
0237-9409LUP	JN-MN	0260666	HYST	02735	INTDE	0293-13954LPD	JN-MN
0237-9546LUP	JN-MN	026103051A	VW	02736	INTDE	0293-4183LPD	JN-MN
02373BRG	SABO	026103051A	VW	02736	INTDE	0293-5770LUP	JN-MN
0240912	HYST	0262-10050LUP	JN-MN	02737	INTDE	0293-6041LA	JN-MN
0240913	HYST	0262-10910LPD	JN-MN	02737	INTDE	0293-6108LUP	JN-MN
0240913	HYST	0262-11017LUP	JN-MN	02738	INTDE	0293-9543LPD	JN-MN
0243-10329LPD	JN-MN	0262-11833LPD	JN-MN	0274	INTDE	0293-9707LPD	JN-MN
0243-11143LUP	JN-MN	0262-13858LDS	JN-MN	02740501	EIMCO	0293-9815LPD	JN-MN
0243-11660LPD	JN-MN	0262-14831LDS	JN-MN	0275-10044LPD	JN-MN	029315174LPD	JN-MN
0243-6432LUP	JN-MN	0262-16636LUP	JN-MN	0275-10304LPD	JN-MN	0295-13979SSW	JN-MN
0243-9171LUP	JN-MN	0262-18914LUP	JN-MN	0275-10364LPD	JN-MN	029515089LPD	JN-MN
0243-9374LUP	JN-MN	0262-4220LPD	JN-MN	0275-10635LDS	JN-MN	029515089LPD	JN-MN
0243-9825LUP	JN-MN	0262-4840LA	JN-MN	0275-10761LPD	JN-MN	029563	ALLCH
0244-10120LUP	JN-MN	0262-5745LUP	JN-MN	0275-10761LPD	JN-MN	0296-9399LPD	JN-MN
02449619	ALLCH	0262-6235LPD	JN-MN	0275-11420SS	JN-MN	0296842	HYST
02449BRG	SABO	0262-6883LA	JN-MN	0275-11894LPD	JN-MN	0299-9998LPD	JN-MN
02449BRGF	SABO	0262-7110LUP	JN-MN	0275-12494LPD	JN-MN	029HH100	DANA
02451BRG	SABO	0262-8468LUP	JN-MN	0275-12725LPD	JN-MN	02A301189	VW
0246-12675LPD	JN-MN	0262-8505LPD	JN-MN	0275-14042LPD	JN-MN	02RPM11604004	TROS
02469260	ALLCH	0262-9452LPD	JN-MN	0275-14694LPD	JN-MN	03-01340	KEN
0248630	HYST	02629056LUP	JN-MN	0275-14781LDS	JN-MN	03-02760	KEN
025-105-249	AUDI	0264589	HYST	0275-16242LDS	JN-MN	03-02840	KEN
025-105-249	VW	0265383	HYST	0275-16658SS	JN-MN	0300-10249LPD	JN-MN
				0275-5613LPD	JN-MN		

! Industrial Size/Type * Minor Width Difference = Call 1-800-480-1212 for price and delivery.

Zero Duplication or Recommended		Zero Duplication or Recommended		Zero Duplication or Recommended		Zero Duplication or Recommended	
Mfr. No.	Name	Mfr. No.	Name	Mfr. No.	Name	Mfr. No.	Name
0300-11074LUP	JN-MN	032068	ROSS	03378842LPD	JN-MN	0375-12115LPD	JN-MN
0300-11074LUP	JN-MN	032069	ROSS	03378842LPD	JN-MN	0375-13770LUP	JN-MN
0300-11830LUP	JN-MN	032073	ROSS	034-105-147A	VW	0375-14443LDS	JN-MN
0300-11830LUP	JN-MN	032074	ROSS	034-115-147A	AUDI	0375-14443LDS	JN-MN
0300-13414LUP	JN-MN	032075	ROSS	0343-10129LPD	JN-MN	0375-17199LDS	JN-MN
0300-13804LPD	JN-MN	032076	FORD	0343-10948LUP	JN-MN	0375-17199LDS	JN-MN
0300-15153LPD	JN-MN	032076	ROSS	0343-6040LUP	JN-MN	0375-40001LDS	JN-MN
0300-15910LDS	JN-MN	032077	ROSS	0343-9512LUP	JN-MN	0375-40001LDS	JN-MN
0300-15910LDS	JN-MN	032078	KEN	034631	CATER	0375-6294LA	JN-MN
0300-16743LPD	JN-MN	032078	ROSS	034697	ALLCH	0375-6294LA	JN-MN
0300-4360LPD	JN-MN	032079	ROSS	0350-10019LPD	JN-MN	0375-6872LPD	JN-MN
0300-5104LPD	JN-MN	032081	ROSS	0350-10110LUP	JN-MN	0375-6872LPD	JN-MN
0300-5104LPD	JN-MN	032082	ROSS	0350-10306LUP	JN-MN	0375-7146LUP	JN-MN
0300-5961LUP	JN-MN	032085	ROSS	0350-10773LPD	JN-MN	0375-7146LUP	JN-MN
0300-6073LUP	JN-MN	032092	ROSS	0350-11197LUP	JN-MN	037511040LPD	JN-MN
0300-6423LUP	JN-MN	032110	ROSS	0350-11197LUP	JN-MN	037675	ALLCH
0300-8506LPD	JN-MN	032151	ROSS	0350-12565LDS	JN-MN	037676	ALLCH
0300-9004LPD	JN-MN	032164	ROSS	0350-12565LDS	JN-MN	0381-12156LUP	JN-MN
0300-9045LUP	JN-MN	032165	ROSS	0350-15810LUP	JN-MN	0381-16544LUP	JN-MN
0300-9182LUP	JN-MN	032166	ROSS	0350-16542LUP	JN-MN	0381-7014LA	JN-MN
0300-9343SS	JN-MN	032167	ROSS	0350-17475LDS	JN-MN	0381-9762LUP	JN-MN
0300-9368LPD	JN-MN	032176	ROSS	0350-17593LDS	JN-MN	03820197	CHRY
03004940LA	JN-MN	032264	ROSS	0350-17779LDS	JN-MN	03866AB	CASE
0302076	FORD	032341	ALLCH	0350-4941LUP	JN-MN	03868AB	CASE
030326	ALLCH	032347	ALLCH	0350-4941LUP	JN-MN	0387-11177LPD	JN-MN
030327	ALLCH	032378	ROSS	0350-6301LA	JN-MN	0387-12409LPD	JN-MN
030504	ALLCH	032496000	EATON	0350-6327LA	JN-MN	0387-12409LPD	JN-MN
030586	ALLCH	0325-10100LUP	JN-MN	0325-10100LUP	JN-MN	0387-12654LPD	JN-MN
0306-10960LPD	JN-MN	0325-10272LPD	JN-MN	0325-7325LUP	JN-MN	0387-15641LPD	JN-MN
0306-5825LUP	JN-MN	0325-10305LUP	JN-MN	0325-8501LPD	JN-MN	0387-16269LDS	JN-MN
03061CH	CASE	0325-10305LUP	JN-MN	0325-8821LPD	JN-MN	0387-16545LUP	JN-MN
03061VM	TRSCM	0325-1121LPD	JN-MN	0325-8821LPD	JN-MN	0387-16546LUP	JN-MN
030639200	EATON	0325-11497LPD	JN-MN	0325-8999LPD	JN-MN	0387-6218LUP	JN-MN
03072SB	TRSCM	0325-13075LUP	JN-MN	0325-9410LUP	JN-MN	0387-6218LUP	JN-MN
03072SC	TRSCM	0325-13241LDS	JN-MN	0325-9410LUP	JN-MN	0387-9764LUP	JN-MN
03072SM	TRSCM	0325-14271LPD	JN-MN	0325-9422LUP	JN-MN	03873AB	CASE
03082SZ	TRSCM	0325-16539LUP	JN-MN	0325-9422LUP	JN-MN	03896N	CASE
03082TB	TRSCM	0325-16540LUP	JN-MN	0325-9752LUP	JN-MN	03899AB	CASE
03092SB	TRSCM	0325-17972LDS	JN-MN	0325-9752LUP	JN-MN	0390003	BE-AR
031061SC	TRSCM	0325-18099LUP	JN-MN	03511008	SPICE	0390025	BE-AR
031072VTBY	TRSCM	0325-5027LUP	JN-MN	0354-13160LPD	JN-MN	0390059	BE-AR
031092TCN	TRSCM	0325-6145LA	JN-MN	0356-16543LUP	JN-MN	0390061	BE-AR
031101529	WHITE	0325-7190LUP	JN-MN	0356-9892LUP	JN-MN	0390086	BE-AR
031163	ALLCH	0325-8483LPD	JN-MN	0360CU	CASE	0390088	BE-AR
031164	ALLCH	0325-8845SS	JN-MN	0361017	LILIS	0390090	BE-AR
0312-10142LPD	JN-MN	0325-8945LUP	JN-MN	0362-11198LUP	JN-MN	0390106	HYST
0312-11685LPD	JN-MN	0325-9547LPD	JN-MN	0362-12159LPD	JN-MN	0390119	BE-AR
0312-13518LDS	JN-MN	03271N	CASE	0362-12677LDS	JN-MN	0393-11669LPD	JN-MN
0312-6814LA	JN-MN	0327535-1	ALLCH	0362-12718LPD	JN-MN	0393-12357LDS	JN-MN
0312-8509LUP	JN-MN	032784	ALLCH	0362-15724LUP	JN-MN	0393-5910LPD	JN-MN
0312-9092LPD	JN-MN	032785	ALLCH	0362-20032LUP	JN-MN	0393-6072LUP	JN-MN
03123112	AU-LI	032995	SPG	0362-5140SS	JN-MN	0393-8503LUP	JN-MN
03125011LUP	JN-MN	0330779	HYST	0362-8438LPD	JN-MN	0393-8504LUP	JN-MN
0313-9523LPD	JN-MN	033081	ALLCH	0362-9587LPD	JN-MN	0393-9402LUP	JN-MN
0314-14644LPD	JN-MN	0331-10963LPD	JN-MN	036727F	SPERY	0397-10950LPD	JN-MN
0315-16432LUP	JN-MN	0331-11523LPD	JN-MN	0368-15929LUP	JN-MN	04-9012430	WHITE
0318-7227LUP	JN-MN	0331-11523LPD	JN-MN	0368-18532LUP	JN-MN	04-9023110	WHITE
0318-8838LPD	JN-MN	0331-12253LPD	JN-MN	0368-6808LA	JN-MN	04-9038204	WHITE
0318-9193LPD	JN-MN	0331-14237LPD	JN-MN	0368-8502LUP	JN-MN	04-BRSO-400-300-7CW	TROS
0318-9542LPD	JN-MN	0331-15676LUP	JN-MN	037051VC	TRSCM	0400-10285LPD	JN-MN
032040	ROSS	0331-9591LPD	JN-MN	0370932	BE-AR	0400-10384LPD	JN-MN
032046	ROSS	033146	ALLCH	0371-9729LUP	JN-MN	0400-11119LPD	JN-MN
032048	ROSS	033512	PETTI	0371-9729LUP	JN-MN	0400-11119LPD	JN-MN
032049	ROSS	0337-10164LUP	JN-MN	03717CS	CASE	0400-11500LPD	JN-MN
032052	GMC	0337-11557LUP	JN-MN	0372CK	CASE	0400-11635LPD	JN-MN
032052	ROSS	0337-16541LUP	JN-MN	0374295	BE-AR	0400-11635LPD	JN-MN
032054	ROSS	0337-4463LUP	JN-MN	0375-10057LUP	JN-MN	0400-13292LPD	JN-MN
032062	ROSS	0337-8841LUP	JN-MN	0375-10057LUP	JN-MN	0400-14959LPD	JN-MN
032062	ROSS	0337-8841LUP	JN-MN	0375-10846SS	JN-MN	0400-15141LDS	JN-MN
032064	ROSS	0337-9042LUP	JN-MN	0375-10859LPD	JN-MN	0400-16751LUP	JN-MN
032065	ROSS	0337-9042LUP	JN-MN	0375-10859LPD	JN-MN	0400-4784LPD	JN-MN
032068	CASE	0337-9205LUP	JN-MN	0375-12115LPD	JN-MN	0400-5489LPD	JN-MN

! Industrial Size/Type * Minor Width Difference = Call 1-800-480-1212 for price and delivery.

NUMERICAL

Zero Duplication or Recommended Industrial		Zero Duplication or Recommended Industrial		Zero Duplication or Recommended Industrial		Zero Duplication or Recommended Industrial	
Mfr. No.	Name	Mfr. No.	Name	Mfr. No.	Name	Mfr. No.	Name
0400-5489LPD	JN-MN	0425-8810LUP	JN-MN	0468-8478LPD	JN-MN	0487340	FORD
0400-60003LDS	JN-MN	0425-8946LPD	JN-MN	0468-8900LPD	JN-MN	0487372	FORD
0400-6146LUP	JN-MN	0425-9930LUP	JN-MN	0468SC	CASE	0487374	FORD
0400-6146LUP	JN-MN	04253AB1	CASE	047046	ALLCH	0487398	FORD
0400-7130LA	JN-MN	0431-16548LUP	JN-MN	047047	ALLCH	0487402	FORD
0400-7195LUP	JN-MN	0431-7192LPD	JN-MN	0472-15209LUP	JN-MN	0487414	FORD
0400-7199LUP	JN-MN	0431-9545LPD	JN-MN	047275	ALLCH	0487422	FORD
0400-7199LUP	JN-MN	0433-16433LUP	JN-MN	04736	JAC	0487440	FORD
0400-9143LUP	JN-MN	043569	ALLCH	04736	JAC	0487450	FORD
0400-9151LPD	JN-MN	043569	ALLCH	04741908	CHRY	0487494	FORD
0400-9342SS	JN-MN	043570	ALLCH	047436	ALLCH	0487514	FORD
0400-9663LPD	JN-MN	0437-10470LPD	JN-MN	047436	ALLCH	04897297AA	CHRY
0400-9705LPD	JN-MN	0437-10482LPD	JN-MN	04746772	CHRY	0493-12773LPD	JN-MN
0400-9866LUP	JN-MN	0437-19127LDS	JN-MN	0475-10841LPD	JN-MN	0493-7144LPD	JN-MN
0400-9866LUP	JN-MN	0437-8875LUP	JN-MN	0475-11226LPD	JN-MN	0493-8801LPD	JN-MN
04002002.5	TROS	0437-9418LPD	JN-MN	0475-11804LPD	JN-MN	0493-9159LPD	JN-MN
040211	ALLCH	0437-9590LPD	JN-MN	0475-6085LPD	JN-MN	0493-9400LPD	JN-MN
040302	ALLCH	0437-9590LPD	JN-MN	0475-6935LPD	JN-MN	0493-9600LPD	JN-MN
04032AB	CASE	04381AB	CASE	0475-7107LA	JN-MN	04933AB	CASE
04032AB	CASE	043838	GEHL	0475-9820LPD	JN-MN	049453	ALLCH
04041AB	CASE	043839	GEHL	0475-9963LPD	JN-MN	049453	ALLCH
04045AB	CASE	04384188	CHRY	047852	GEHL	049489	ALLCH
04047	CASE	04399	JAC	04801604	TROS	049490	ALLCH
04048AB	CASE	04399A	JAC	04802004	TROS	049521	ALLCH
0406-15574LUP	JN-MN	04402005	TROS	04802404	TROS	049522	ALLCH
04061VC	TRSCM	04402402.5	TROS	04803202	TROS	049629	ALLCH
04081VM	TRSCM	04403201.5	TROS	0481-11060LPD	JN-MN	04981	JAC
04082SM	TRSCM	04403202	TROS	048115147	PORSC	05-03700	KEN
04082SM	TRSCM	044208	GEHL	0486060	FORD	0500-10201LPD	JN-MN
040832	EVERS	0443-10332LPD	JN-MN	0486073	FORD	0500-12367LPD	JN-MN
04092VB	TRSCM	0443-8460LUP	JN-MN	0486080	FORD	0500-16740LDS	JN-MN
04093SB	TRSCM	0443-8825LUP	JN-MN	0486325	FORD	0500-17959LDS	JN-MN
04104	JAC	044594	HESST	0486452	FORD	0500-18134LDS	JN-MN
04112SL	TRSCM	044741	ALLCH	048689	ALLCH	0500-5907LPD	JN-MN
0412-10382LPD	JN-MN	044800	HESST	048692	ALLCH	0500-6325LUP	JN-MN
0412-11120LPD	JN-MN	044818	HESST	0487-15067LUP	JN-MN	0500-6671LUP	JN-MN
0412-11194LPD	JN-MN	044852	ALLCH	0487-15801LDS	JN-MN	0500-8956LPD	JN-MN
0412-11739LPD	JN-MN	044859	GEHL	0487-7234LPD	JN-MN	0500-9044LUP	JN-MN
0412-11790LUP	JN-MN	0450-11709LUP	JN-MN	0487-8925LPD	JN-MN	0500-9530LUP	JN-MN
0412-14444LDS	JN-MN	0450-11832LUP	JN-MN	0487-9797LPD	JN-MN	0500-9629LUP	JN-MN
0412-17228LUP	JN-MN	0450-13172LDS	JN-MN	0487014	FORD	05009	NAK
0412-20013LPD	JN-MN	0450-18396LUP	JN-MN	048703	ALLCH	05009530LPD	JN-MN
0412-6582LUP	JN-MN	0450-4519LUP	JN-MN	0487052	FORD	05015CS	CASE
0412-9649LPD	JN-MN	0450-5991LUP	JN-MN	0487052	FORD	050320	WHITE
041516	ALLCH	0450-6538LPD	JN-MN	0487066	FORD	050368100	EATON
041798	ALLCH	0450-7145LPD	JN-MN	0487067	FORD	0504-7489	GM
0418-11517LPD	JN-MN	0450-7191LPD	JN-MN	0487068	FORD	050441	ALLCH
0418-11643LPD	JN-MN	0450-7360LPD	JN-MN	0487073	FORD	050443	ALLCH
0418-12122LPD	JN-MN	0450-9170LUP	JN-MN	0487086	FORD	0506-5148LPD	JN-MN
0418-16547LUP	JN-MN	0450-9425SS	JN-MN	0487088	FORD	05071VB	TRSCM
0418-18564LPD	JN-MN	0450-9664LUP	JN-MN	0487095	FORD	05071VB	TRSCM
0418-6263LA	JN-MN	04504168LUP	JN-MN	0487108	FORD	05081VC	TRSCM
0418-8808LUP	JN-MN	04506100LPD	JN-MN	0487134	FORD	050821VAY	TRSCM
0418-9800LPD	JN-MN	0452-16926LPD	JN-MN	0487142	FORD	05082SZ	TRSCM
042024	ALLCH	0456-15070LPD	JN-MN	0487162	FORD	05082TB	TRSCM
04240AB	CASE	0456-16816LUP	JN-MN	048717	ALLCH	05082VAY	TRSCM
04243AB	CASE	0461006	LILIS	0487176	FORD	05082VB	TRSCM
04244AB	CASE	04612AB	CASE	048718	ALLCH	05086AB	CASE
0425-10073LPD	JN-MN	0461CS	CASE	0487188	FORD	05092TB	TRSCM
0425-10073LPD	JN-MN	0462-10132LPD	JN-MN	048719	ALLCH	05092TB	TRSCM
0425-10334LPD	JN-MN	0462-10154LUP	JN-MN	0487196	FORD	0511-15033LPD	JN-MN
0425-11140SS	JN-MN	0462-11368LUP	JN-MN	048720	ALLCH	0511-18529LUP	JN-MN
0425-11140SS	JN-MN	0462-13173LDS	JN-MN	048720	FORD	05112TB	TRSCM
0425-11758LUP	JN-MN	0462-16605LUP	JN-MN	0487234	FORD	05113SA	TRSCM
0425-13772LPD	JN-MN	0462-5193LPD	JN-MN	048726	ALLCH	051145	ALLCH
0425-15628LDS	JN-MN	0462-5594LUP	JN-MN	0487296	FORD	05115	JAC
0425-16598LUP	JN-MN	0462-6677LA	JN-MN	048730	ALLCH	05115	JAC
0425-7040LUP	JN-MN	0462-8811LUP	JN-MN	0487302	FORD	051154200	EATON
0425-7040LUP	JN-MN	0462-9361LPD	JN-MN	0487302	FORD	0512-10017LPD	JN-MN
0425-7187LUP	JN-MN	0467SC	CASE	048731	ALLCH	0512-13595LDS	JN-MN
0425-7187LUP	JN-MN	0468-12861LPD	JN-MN	0487310	FORD	0512-7335LPD	JN-MN
0425-8809LPD	JN-MN	0468-6743LA	JN-MN	0487336	FORD	051206	GEHL

! Industrial Size/Type * Minor Width Difference = Call 1-800-480-1212 for price and delivery.

Zero Duplication or Recommended		Zero Duplication or Recommended		Zero Duplication or Recommended		Zero Duplication or Recommended					
Mfr. No.	Name	Mfr. No.	Name	Mfr. No.	Name	Mfr. No.	Name				
05122SB	TRSCM	471472!	052-1872	BE-AR	224252	052-3175	BE-AR	444116	052-3284	BE-AR	3395!
05122SB	TRSCM	5133	052-1930	BE-AR	1906	052-3176	BE-AR	1884	052-3285	BE-AR	3771
05122TC	TRSCM	471472	052-2003	BE-AR	1021V	052-3184	BE-AR	710076	052-3286	BE-AR	228010
05132SB	TRSCM	471549!	052-2003	BE-AR	BS40265	052-3186	BE-AR	494117	052-3286	BE-AR	BS40252
05134TA	TRSCM	471551!	052-2037	BE-AR	223014	052-3189	BE-AR	1939	052-3288	BE-AR	223340
051461	ALLCH	476470!	052-2052	BE-AR	223535	052-3191	BE-AR	229210	052-3289	BE-AR	223420
051461	ALLCH	476470	052-2060	BE-AR	223014	052-3192	BE-AR	1172	052-3290	BE-AR	1973
051461	SPICE	476470!	052-2086	BE-AR	1960	052-3192	BE-AR	TCS45725	052-3295	BE-AR	239134
051461	SPICE	476470	052-2128	BE-AR	224052	052-3193	BE-AR	1884	052-3296	BE-AR	1939
05152B	CASE	340413	052-2177	BE-AR	227045	052-3196	BE-AR	4990	052-3298	BE-AR	224462
051568	ALLCH	471224	052-2193	BE-AR	228010	052-3197	BE-AR	710323	052-3301	BE-AR	3772
0518-7336LPD	JN-MN	417548	052-2201	BE-AR	1956	052-3199	BE-AR	1019	052-3302	BE-AR	3476
0518-8826LPD	JN-MN	417548	052-2250	BE-AR	710329	052-3199	BE-AR	BS40387	052-3303	BE-AR	225230
051810	VICK	350364	052-2268	BE-AR	227410	052-3200	BE-AR	1038	052-3304	BE-AR	225082
051815	VICK	330385!	052-2284	BE-AR	1952	052-3201	BE-AR	331227H	052-3306	BE-AR	223018
051825	VICK	472810!	052-2334	BE-AR	472439*	052-3202	BE-AR	3394	052-3308	BE-AR	1174
051835	VICK	471472!	052-2359	BE-AR	3698	052-3204	BE-AR	3945	052-3309	BE-AR	225875
051840	VICK	471535!	052-2359	BE-AR	BS40382	052-3205	BE-AR	473573	052-3310	BE-AR	225650*
051850	VICK	471538!	052-2367	BE-AR	1950	052-3208	BE-AR	473258	052-3311	BE-AR	224220
051860	VICK	471267!	052-2391	BE-AR	228005	052-3210	BE-AR	228005	052-3312	BE-AR	222510
05187AB	CASE	471570!	052-2433	BE-AR	1992	052-3212	BE-AR	223540	052-3315	BE-AR	225650
05187AB-D	CASE	471570!	052-2441	BE-AR	473823	052-3214	BE-AR	228010	052-3316	BE-AR	228009
052-0056	BE-AR	1196	052-2466	BE-AR	1949	052-3214	BE-AR	BS40252	052-3318	BE-AR	224400
052-0072	BE-AR	227235	052-2474	BE-AR	473812	052-3215	BE-AR	229005	052-3321	BE-AR	225530
052-0098	BE-AR	1192	052-2482	BE-AR	473179!	052-3215	BE-AR	229006	052-3323	BE-AR	229005
052-0122	BE-AR	1996	052-2508	BE-AR	228020	052-3218	BE-AR	229005	052-3324	BE-AR	223012
052-0148	BE-AR	473238!	052-2524	BE-AR	1128	052-3218	BE-AR	BS16144	052-3324	BE-AR	TCS45724
052-0155	BE-AR	482126	052-2649	BE-AR	1999	052-3221	BE-AR	1906	052-3328	BE-AR	710097
052-0189	BE-AR	1110	052-2664	BE-AR	1959	052-3222	BE-AR	3772	052-3329	BE-AR	710331
052-0197	BE-AR	1110	052-2680	BE-AR	226285	052-3223	BE-AR	473454	052-3330	BE-AR	710332
052-0205	BE-AR	471224!	052-2680	BE-AR	62X85X8!	052-3224	BE-AR	227410	052-3331	BE-AR	320595
052-0221	BE-AR	239128	052-2706	BE-AR	1959	052-3224	BE-AR	BS40268	052-3332	BE-AR	228015
052-0239	BE-AR	5778	052-2714	BE-AR	710331	052-3225	BE-AR	1990	052-3333	BE-AR	710215
052-0270	BE-AR	470487!	052-2722	BE-AR	1108	052-3227	BE-AR	334111	052-3335	BE-AR	5700
052-0288	BE-AR	239127	052-2748	BE-AR	473367	052-3228	BE-AR	228410	052-3336	BE-AR	225650
052-0296	BE-AR	473454	052-2763	BE-AR	710315	052-3229	BE-AR	223602	052-3337	BE-AR	716102
052-0312	BE-AR	473454	052-2771	BE-AR	223580	052-3230	BE-AR	228010	052-3338	BE-AR	710072
052-0346	BE-AR	471224!	052-2789	BE-AR	1981	052-3231	BE-AR	1986	052-3340	BE-AR	224772
052-0379	BE-AR	9161	052-2797	BE-AR	227409	052-3232	BE-AR	222540	052-3341	BE-AR	1937
052-0403	BE-AR	224320	052-2813	BE-AR	1147	052-3234	BE-AR	224835	052-3343	BE-AR	1180
052-0437	BE-AR	1192	052-2854	BE-AR	1960	052-3235	BE-AR	224460	052-3344	BE-AR	710092
052-0460	BE-AR	472397!	052-2862	BE-AR	223535	052-3236	BE-AR	474161	052-3345	BE-AR	1948
052-0478	BE-AR	472164!	052-2870	BE-AR	224100	052-3239	BE-AR	481826	052-3346	BE-AR	222630
052-0593	BE-AR	473238!	052-2888	BE-AR	474134	052-3239	BE-AR	4989	052-3347	BE-AR	224254
052-0593	BE-AR	9912	052-2896	BE-AR	227230	052-3241	BE-AR	474134	052-3348	BE-AR	710098
052-0627	BE-AR	1873	052-2904	BE-AR	494122	052-3242	BE-AR	1126	052-3349	BE-AR	225225
052-0635	BE-AR	473228!	052-2946	BE-AR	1126	052-3243	BE-AR	224026	052-3350	BE-AR	710148
052-0643	BE-AR	239129	052-2961	BE-AR	482126	052-3244	BE-AR	225650	052-3351	BE-AR	473677
052-0676	BE-AR	473234!	052-3001	BE-AR	1176	052-3245	BE-AR	1985	052-3352	BE-AR	1975
052-0700	BE-AR	710189	052-3043	BE-AR	1906	052-3247	BE-AR	2025	052-3354	BE-AR	239155
052-0726	BE-AR	472164!	052-3092	BE-AR	1938	052-3249	BE-AR	716102	052-3355	BE-AR	225035
052-0767	BE-AR	472492!	052-3100	BE-AR	494117	052-3250	BE-AR	716102	052-3356	BE-AR	1953
052-0809	BE-AR	472397!	052-3118	BE-AR	222540	052-3251	BE-AR	1177	052-3357	BE-AR	482126
052-0841	BE-AR	471224!	052-3126	BE-AR	222220	052-3252	BE-AR	223801!	052-3360	BE-AR	482126
052-0890	BE-AR	471192	052-3134	BE-AR	1943	052-3253	BE-AR	223842	052-3361	BE-AR	473677
052-1146	BE-AR	224025	052-3136	BE-AR	1177	052-3254	BE-AR	1177	052-3362	BE-AR	224520
052-1161	BE-AR	472213	052-3139	BE-AR	3476	052-3256	BE-AR	1960	052-3363	BE-AR	224520
052-1187	BE-AR	1994	052-3140	BE-AR	716445	052-3257	BE-AR	1176	052-3365	BE-AR	716102
052-1245	BE-AR	3771	052-3147	BE-AR	222242	052-3258	BE-AR	227045	052-3366	BE-AR	1994
052-1328	BE-AR	710324	052-3149	BE-AR	1217	052-3259	BE-AR	1956	052-3369	BE-AR	1174
052-1369	BE-AR	1195	052-3152	BE-AR	1967	052-3261	BE-AR	413818	052-3370	BE-AR	1936
052-1401	BE-AR	1167	052-3153	BE-AR	1209	052-3265	BE-AR	710060	052-3371	BE-AR	710126
052-1434	BE-AR	1183	052-3155	BE-AR	1195	052-3265	BE-AR	BS40449	052-3372	BE-AR	710073
052-1435	BE-AR	1977	052-3158	BE-AR	1962	052-3268	BE-AR	1209	052-3374	BE-AR	225875
052-1450	BE-AR	1188	052-3161	BE-AR	2002	052-3269	BE-AR	225500	052-3376	BE-AR	1973
052-1468	BE-AR	1188	052-3167	BE-AR	2016	052-3270	BE-AR	239201	052-3377	BE-AR	710094
052-1484	BE-AR	1183	052-3168	BE-AR	2003N!	052-3271	BE-AR	1960	052-3379	BE-AR	710310
052-1542	BE-AR	1974	052-3169	BE-AR	1173	052-3273	BE-AR	3677	052-3380	BE-AR	710310
052-1658	BE-AR	1979	052-3170	BE-AR	32X58X8!	052-3274	BE-AR	4099	052-3381	BE-AR	224820
052-1773	BE-AR	58X72X8	052-3171	BE-AR	2016	052-3277	BE-AR	1973	052-3382	BE-AR	223840
052-1781	BE-AR	1996	052-3173	BE-AR	712011	052-3280	BE-AR	223035	052-3383	BE-AR	710152
052-1799	BE-AR	1984	052-3174	BE-AR	1979	052-3281	BE-AR	5695	052-3385	BE-AR	224560

! Industrial Size/Type * Minor Width Difference

Zero Duplication or Recommended		Zero Duplication or Recommended		Zero Duplication or Recommended		Zero Duplication or Recommended	
Mfr. No.	Name	Mfr. No.	Name	Mfr. No.	Name	Mfr. No.	Name
052-3386	BE-AR	223831	052-3468	BE-AR	228010	052-3560	BE-AR
052-3387	BE-AR	225650	052-3469	BE-AR	710193	052-3562	BE-AR
052-3388	BE-AR	710308	052-3470	BE-AR	222267	052-3563	BE-AR
052-3389	BE-AR	223520!	052-3472	BE-AR	710234	052-3564	BE-AR
052-3391	BE-AR	3771	052-3473	BE-AR	710194	052-3565	BE-AR
052-3392	BE-AR	228700	052-3474	BE-AR	1953	052-3566	BE-AR
052-3395	BE-AR	3227	052-3475	BE-AR	710192	052-3568	BE-AR
052-3396	BE-AR	9613S	052-3476	BE-AR	320595	052-3569	BE-AR
052-3397	BE-AR	710107	052-3478	BE-AR	223420	052-3570	BE-AR
052-3398	BE-AR	710072	052-3479	BE-AR	710228	052-3571	BE-AR
052-3399	BE-AR	710093	052-3480	BE-AR	224066	052-3572	BE-AR
052-3400	BE-AR	223550	052-3481	BE-AR	239146	052-3575	BE-AR
052-3401	BE-AR	222240	052-3483	BE-AR	5694	052-3576	BE-AR
052-3402	BE-AR	710126	052-3484	BE-AR	1174	052-3580	BE-AR
052-3403	BE-AR	4898	052-3485	BE-AR	226150	052-3581	BE-AR
052-3404	BE-AR	473677	052-3486	BE-AR	710178*	052-3582	BE-AR
052-3405	BE-AR	225872	052-3487	BE-AR	710266	052-3583	BE-AR
052-3406	BE-AR	224510	052-3488	BE-AR	494123*	052-3586	BE-AR
052-3407	BE-AR	239128	052-3490	BE-AR	1932	052-3589	BE-AR
052-3408	BE-AR	710108	052-3491	BE-AR	710191	052-3590	BE-AR
052-3412	BE-AR	710168	052-3492	BE-AR	710176*	052-3591	BE-AR
052-3414	BE-AR	3459	052-3493	BE-AR	4899	052-3592	BE-AR
052-3415	BE-AR	320583	052-3494	BE-AR	224870	052-3593	BE-AR
052-3416	BE-AR	223845	052-3495	BE-AR	225775	052-3595	BE-AR
052-3416	BE-AR	224462	052-3496	BE-AR	1974	052-3596	BE-AR
052-3417	BE-AR	224462	052-3497	BE-AR	225275	052-3597	BE-AR
052-3418	BE-AR	1974	052-3499	BE-AR	1935	052-3599	BE-AR
052-3421	BE-AR	224020	052-3500	BE-AR	226610	052-3600	BE-AR
052-3422	BE-AR	224205	052-3501	BE-AR	225010	052-3601	BE-AR
052-3423	BE-AR	1981	052-3502	BE-AR	225010	052-3602	BE-AR
052-3424	BE-AR	228008	052-3503	BE-AR	223802	052-3603	BE-AR
052-3425	BE-AR	1120	052-3504	BE-AR	227445	052-3604	BE-AR
052-3426	BE-AR	223220	052-3505	BE-AR	222745	052-3605	BE-AR
052-3427	BE-AR	320564	052-3506	BE-AR	223540	052-3606	BE-AR
052-3428	BE-AR	228009	052-3507	BE-AR	710124	052-3607	BE-AR
052-3429	BE-AR	473823	052-3508	BE-AR	1036	052-3608	BE-AR
052-3429	BE-AR	710305	052-3509	BE-AR	223050	052-3609	BE-AR
052-3430	BE-AR	1960	052-3510	BE-AR	223050	052-3610	BE-AR
052-3431	BE-AR	225673	052-3513	BE-AR	223543!	052-3612	BE-AR
052-3432	BE-AR	4898	052-3514	BE-AR	710118	052-3613	BE-AR
052-3433	BE-AR	710131	052-3515	BE-AR	710134	052-3614	BE-AR
052-3434	BE-AR	1964	052-3516	BE-AR	223543!	052-3615	BE-AR
052-3435	BE-AR	223830	052-3517	BE-AR	223580	052-3616	BE-AR
052-3436	BE-AR	1928	052-3518	BE-AR	710332	052-3617	BE-AR
052-3437	BE-AR	1993	052-3518	BE-AR	TCS45719	052-3618	BE-AR
052-3438	BE-AR	225673	052-3519	BE-AR	710150	052-3619	BE-AR
052-3440	BE-AR	224235	052-3520	BE-AR	2007N	052-3620	BE-AR
052-3441	BE-AR	226530	052-3521	BE-AR	223240	052-3621	BE-AR
052-3442	BE-AR	710070	052-3522	BE-AR	710109	052-3622	BE-AR
052-3443	BE-AR	225082*	052-3523	BE-AR	710110	052-3623	BE-AR
052-3444	BE-AR	225230	052-3525	BE-AR	710110	052-3624	BE-AR
052-3447	BE-AR	1941	052-3526	BE-AR	223540	052-3625	BE-AR
052-3448	BE-AR	225875	052-3527	BE-AR	712551	052-3626	BE-AR
052-3449	BE-AR	225020	052-3528	BE-AR	710112	052-3627	BE-AR
052-3449	BE-AR	TCS45727	052-3529	BE-AR	223540	052-3628	BE-AR
052-3450	BE-AR	222556	052-3531	BE-AR	224066	052-3629	BE-AR
052-3452	BE-AR	225008	052-3532	BE-AR	223543!	052-3630	BE-AR
052-3453	BE-AR	225535	052-3533	BE-AR	223543!	052-3631	BE-AR
052-3454	BE-AR	224200	052-3534	BE-AR	223553	052-3632	BE-AR
052-3455	BE-AR	710158	052-3537	BE-AR	710123	052-3633	BE-AR
052-3456	BE-AR	710159	052-3541	BE-AR	224052	052-3634	BE-AR
052-3457	BE-AR	473812	052-3542	BE-AR	225545	052-3635	BE-AR
052-3458	BE-AR	225450	052-3545	BE-AR	224045	052-3636	BE-AR
052-3459	BE-AR	473179!	052-3547	BE-AR	710199	052-3637	BE-AR
052-3460	BE-AR	1012N	052-3549	BE-AR	224520	052-3638	BE-AR
052-3460	BE-AR	224662	052-3550	BE-AR	1147	052-3639	BE-AR
052-3461	BE-AR	4904	052-3552	BE-AR	710122	052-3640	BE-AR
052-3462	BE-AR	710175	052-3554	BE-AR	5604	052-3642	BE-AR
052-3463	BE-AR	710239	052-3556	BE-AR	224026	052-3643	BE-AR
052-3464	BE-AR	224820	052-3557	BE-AR	223542	052-3646	BE-AR
052-3465	BE-AR	225230	052-3558	BE-AR	710110	052-3647	BE-AR
052-3466	BE-AR	3771	052-3559	BE-AR	710109	052-3647	BE-AR
052-3648	BE-AR	1987	052-3649	BE-AR	1990	052-3650	BE-AR
052-3649	BE-AR	1990	052-3650	BE-AR	222330	052-3652	BE-AR
052-3650	BE-AR	222330	052-3653	BE-AR	223750	052-3655	BE-AR
052-3652	BE-AR	223750	052-3654	BE-AR	223010	052-3656	BE-AR
052-3653	BE-AR	223010	052-3655	BE-AR	224052	052-3655	BE-AR
052-3654	BE-AR	224052	052-3656	BE-AR	710271	052-3656	BE-AR
052-3655	BE-AR	710271	052-3657	BE-AR	710188	052-3657	BE-AR
052-3656	BE-AR	710188	052-3658	BE-AR	710189	052-3658	BE-AR
052-3657	BE-AR	710189	052-3659	BE-AR	710415	052-3659	BE-AR
052-3658	BE-AR	710415	052-3660	BE-AR	224650	052-3661	BE-AR
052-3659	BE-AR	224650	052-3662	BE-AR	473179	052-3662	BE-AR
052-3660	BE-AR	473179	052-3663	BE-AR	223018	052-3663	BE-AR
052-3661	BE-AR	223018	052-3664	BE-AR	225230	052-3664	BE-AR
052-3662	BE-AR	225230	052-3665	BE-AR	1932	052-3665	BE-AR
052-3663	BE-AR	1932	052-3666	BE-AR	710143	052-3666	BE-AR
052-3664	BE-AR	710143	052-3667	BE-AR	223552	052-3667	BE-AR
052-3665	BE-AR	223552	052-3668	BE-AR	223018	052-3668	BE-AR
052-3666	BE-AR	223018	052-3669	BE-AR	225460	052-3669	BE-AR
052-3667	BE-AR	225460	052-3670	BE-AR	710109	052-3670	BE-AR
052-3668	BE-AR	710109	052-3671	BE-AR	710289	052-3671	BE-AR
052-3669	BE-AR	710289	052-3672	BE-AR	473179	052-3672	BE-AR
052-3670	BE-AR	473179	052-3673	BE-AR	710293	052-3673	BE-AR
052-3671	BE-AR	710293	052-3674	BE-AR	710394	052-3674	BE-AR
052-3672	BE-AR	710394	052-3675	BE-AR	710289	052-3675	BE-AR
052-3673	BE-AR	710289	052-3676	BE-AR	227235	052-3676	BE-AR
052-3674	BE-AR	227235	052-3677	BE-AR	710324	052-3677	BE-AR
052-3675	BE-AR	710324	052-3678	BE-AR	1974	052-3678	BE-AR
052-3676	BE-AR	1974	052-3679	BE-AR	710226	052-3679	BE-AR
052-3677	BE-AR	710226	052-3680	BE-AR	710125	052-3680	BE-AR
052-3678	BE-AR	710125	052-3681	BE-AR	710394	052-3681	BE-AR
052-3679	BE-AR	710394	052-3682	BE-AR	712938	052-3682	BE-AR
052-3680	BE-AR	712938	052-3683	BE-AR	226285	052-3683	BE-AR
052-3681	BE-AR	226285	052-3684	BE-AR	710352	052-3684	BE-AR
052-3682	BE-AR	710352	052-3685	BE-AR	710332	052-3685	BE-AR
052-3683	BE-AR	710332	052-3686	BE-AR	710332	052-3686	BE-AR
052-3684	BE-AR	710332	052-3687	BE-AR	710255	052-3687	BE-AR
052-3685	BE-AR	710255	052-3688	BE-AR	710255	052-3688	BE-AR
052-3686	BE-AR	710255	052-3689	BE-AR	BS40667	052-3689	BE-AR
052-3687	BE-AR	BS40667	052-3690	BE-AR	231004	052-3690	BE-AR
052-3688	BE-AR	231004	052-3691	BE-AR	231052	052-3691	BE-AR
052-3689	BE-AR	231052	052-3692	BE-AR	4249	052-3692	BE-AR
052-3690	BE-AR	4249	052-3693	BE-AR	710356	052-3693	BE-AR
052-3691	BE-AR	710356	052-3694	BE-AR	710060	052-3694	BE-AR
052-3692	BE-AR	710060	052-3695	BE-AR	710302	052-3695	BE-AR
052-3693	BE-AR	710302	052-3696	BE-AR	2012V	052-3696	BE-AR
052-3694	BE-AR	2012V	052-3697	BE-AR	229005	052-3697	BE-AR
052-3695	BE-AR	229005	052-3698	BE-AR	224835	052-3698	BE-AR
052-3696	BE-AR	224835	052-3699	BE-AR	48X68X10!	0520023	BE-AR
052-3697	BE-AR	48X68X10!	052-3700	BE-AR	224835	0520031	BE-AR
052-3698	BE-AR	224835	052-3701	BE-AR	1955	0520064	BE-AR
052-3699	BE-AR	1955	052-3702	BE-AR	52X65X9!	0520064	BE-AR
052-3700	BE-AR	52X65X9!	052-3703	BE-AR	1012	0520114	BE-AR
052-3701	BE-AR	1012	052-3704	BE-AR	1012N	0520114	BE-AR
052-3702	BE-AR	1012N	052-3705	BE-AR	45X62X8!	0520114	BE-AR
052-3703	BE-AR	45X62X8!	052-3706	BE-AR	1174	0520130	BE-AR
052-3704	BE-AR	1174	052-3707	BE-AR	38X52X8.5!	0520130	BE-AR
052-3705	BE-AR	38X52X8.5!	052-3708	BE-AR	224045	0520163	BE-AR
052-3706	BE-AR	224045	052-3709	BE-AR	40X62X12!	0520163	BE-AR
052-3707	BE-AR	40X62X12!	052-3710	BE-AR	223510	0520536	BE-AR
052-3708	BE-AR	223510	052-3711	BE-AR	35X47X7!	0520544	BE-AR
052-3709	BE-AR	35X47X7!	052-3712	BE-AR	239146	0520544	BE-AR
052-3710	BE-AR	239146	052-3713	BE-AR	38X54X7!	0520544	BE-AR
052-3711	BE-AR	38X54X7!	052-3714	BE-AR	224820	0520684	BE-AR
052-							

Zero Duplication or Recommended		Zero Duplication or Recommended		Zero Duplication or Recommended		Zero Duplication or Recommended		
Mfr. No.	Name	Mfr. No.	Name	Mfr. No.	Name	Mfr. No.	Name	
0521088	BE-AR	BS27493	0522227	BE-AR	52X72X8!	0523143	BE-AR	224252
0521096	BE-AR	2001	0522276	BE-AR	1953	0523143	BE-AR	42X62X8!
0521096	BE-AR	60X82X12!	0522276	BE-AR	42X60X7!	0523145	BE-AR	227040
0521096	BE-AR	BS27493	0522292	BE-AR	1953	0523145	BE-AR	70X90X10!
0521112	BE-AR	228010	0522292	BE-AR	42X60X7!	0523148	BE-AR	224045
0521179	BE-AR	1994	0522318	BE-AR	BS16144	0523148	BE-AR	40X62X12!
0521179	BE-AR	48X70X9!	0522322	BE-AR	TCS45860	0523150	BE-AR	239146
0521195	BE-AR	222510	0522375	BE-AR	1948	0523150	BE-AR	38X54X7!
0521195	BE-AR	25X35X7!	0522375	BE-AR	50X68X8!	0523154	BE-AR	1174
0521203	BE-AR	224100	0522417	BE-AR	1012	0523154	BE-AR	38X52X8.5!
0521203	BE-AR	40X65X10!	0522417	BE-AR	1012N	0523156	BE-AR	1012
0521211	BE-AR	224052	0522425	BE-AR	225005	0523156	BE-AR	1012N
0521211	BE-AR	40X52X7!	0522425	BE-AR	50X62X7!	0523157	BE-AR	1208
0521260	BE-AR	222820	0522458	BE-AR	1994	0523157	BE-AR	48X72X7!
0521260	BE-AR	28X40X7!	0522458	BE-AR	48X70X9!	0523172	BE-AR	223555
0521286	BE-AR	222540	0522490	BE-AR	225020	0523172	BE-AR	35X64X8!
0521286	BE-AR	25X40X7!	0522490	BE-AR	50X68X8!	0523178	BE-AR	1987
0521377	BE-AR	1174	0522532	BE-AR	48X62X8!	0523178	BE-AR	TCS45424
0521377	BE-AR	38X52X8.5!	0522532	BE-AR	710320	0523179	BE-AR	223235
0521419	BE-AR	224052	0522540	BE-AR	224820	0523179	BE-AR	32X46X6!
0521419	BE-AR	40X52X7!	0522540	BE-AR	48X62X8!	0523181	BE-AR	224820
0521443	BE-AR	224865	0522581	BE-AR	224020	0523181	BE-AR	48X62X8!
0521443	BE-AR	48X65X10!	0522581	BE-AR	40X55X8!	0523182	BE-AR	225110
0521476	BE-AR	1174	0522599	BE-AR	226480	0523182	BE-AR	51X65X7!
0521476	BE-AR	38X52X8.5!	0522599	BE-AR	64X80X8!	0523185	BE-AR	223605
0521500	BE-AR	224235	0522607	BE-AR	227020	0523185	BE-AR	36X50X7!
0521500	BE-AR	42X58X7!	0522607	BE-AR	70X88X8!	0523187	BE-AR	222820
0521518	BE-AR	224235	0522615	BE-AR	48X70X9!	0523187	BE-AR	28X40X7!
0521518	BE-AR	42X58X7!	0522615	BE-AR	710313	0523195	BE-AR	223510
0521534	BE-AR	224045	0522623	BE-AR	228020	0523195	BE-AR	35X47X7!
0521534	BE-AR	40X62X12!	0522623	BE-AR	80X105X13!	0523198	BE-AR	1213N
0521559	BE-AR	224270	0522656	BE-AR	BS16144	0523203	BE-AR	224220
0521559	BE-AR	42X72X10!	0522672	BE-AR	55X82X12!	0523203	BE-AR	42X56X7!
0521567	BE-AR	224045	0522698	BE-AR	38X58X8!	0523203	BE-AR	494117
0521567	BE-AR	40X62X12!	0522698	BE-AR	710318	0523203	BE-AR	TCS45473
0521575	BE-AR	223542	0522730	BE-AR	1012	0523209	BE-AR	224570
0521575	BE-AR	35X55X11!	0522730	BE-AR	1012N	0523209	BE-AR	45X72X12!
0521583	BE-AR	1181	0522755	BE-AR	1990	0523211	BE-AR	224255
0521583	BE-AR	41X56X7!	0522755	BE-AR	TCS45718	0523211	BE-AR	42X65X10!
0521609	BE-AR	224520	0522805	BE-AR	223553	0523213	BE-AR	224252
0521609	BE-AR	45X60X10!	0522805	BE-AR	35X62X7!	0523213	BE-AR	42X62X8!
0521617	BE-AR	1012	0522839	BE-AR	1012	0523219	BE-AR	1955
0521617	BE-AR	1012N	0522839	BE-AR	1012N	0523219	BE-AR	52X65X9!
0521617	BE-AR	45X62X8!	0522839	BE-AR	45X62X8!	0523220	BE-AR	225460
0521633	BE-AR	1012	0522847	BE-AR	226020	0523220	BE-AR	54X85X10!
0521633	BE-AR	1012N	0522847	BE-AR	60X80X8!	0523226	BE-AR	224470
0521633	BE-AR	45X62X8!	0522912	BE-AR	225010	0523226	BE-AR	44X72X10!
0521674	BE-AR	1187	0522912	BE-AR	50X65X8!	0523238	BE-AR	225875
0521674	BE-AR	47X68X10!	0522920	BE-AR	225010	0523238	BE-AR	58X75X11!
052173	GEHL	471516!	0522920	BE-AR	50X65X8!	0523240	BE-AR	225110
052176	ALLCH	415035	0522938	BE-AR	38X52X8.5!	0523240	BE-AR	51X65X7!
0521906	BE-AR	35X50X8!	0522938	BE-AR	710309	0523248	BE-AR	1994
0521906	BE-AR	3771	0522953	BE-AR	224235	0523248	BE-AR	48X70X9!
0521948	BE-AR	BS25031	0522953	BE-AR	42X58X7!	0523255	BE-AR	223840
0521989	BE-AR	223830	0522995	BE-AR	223830	0523255	BE-AR	38X58X8!
0521989	BE-AR	38X55X7!	0522995	BE-AR	38X55X7!	0523263	BE-AR	224045
0522045	BE-AR	224220	0523019	BE-AR	1012	0523263	BE-AR	40X62X12!
0522045	BE-AR	42X56X7!	0523019	BE-AR	1012N	0523291	BE-AR	222820
0522045	BE-AR	494117	0523019	BE-AR	45X62X8!	0523291	BE-AR	28X40X7!
0522136	BE-AR	224210	0523027	BE-AR	225505	0523292	BE-AR	223801!
0522136	BE-AR	41X55X7!	0523027	BE-AR	55X70X8!	0523294	BE-AR	1992
0522144	BE-AR	224560	0523050	BE-AR	224220	0523294	BE-AR	45X65X8!
0522144	BE-AR	45X68X7!	0523050	BE-AR	42X56X7!	0523322	BE-AR	223420
0522151	BE-AR	224820	0523050	BE-AR	494117	0523322	BE-AR	TCS45860
0522151	BE-AR	48X62X8!	0523135	BE-AR	223542	0523327	BE-AR	224210
0522169	BE-AR	1955	0523135	BE-AR	35X55X11!	0523327	BE-AR	42X55X8!
0522169	BE-AR	52X65X9!	0523137	BE-AR	1945	0523390	BE-AR	710334
0522185	BE-AR	227550	0523137	BE-AR	228480	0523439	BE-AR	1207
0522185	BE-AR	75X100X12!	0523138	BE-AR	716102	0523439	BE-AR	1207N
0522219	BE-AR	225420	0523138	BE-AR	85X105X10!	0523445	BE-AR	1205
0522219	BE-AR	54X72X10!	0523142	BE-AR	227040	0523445	BE-AR	1205N
0522227	BE-AR	225230	0523142	BE-AR	70X90X10!	0523446	BE-AR	1012
0523446	BE-AR	1012N	0523585	BE-AR	1205	0523585	BE-AR	1205N
0523585	BE-AR	1205N	0523611	BE-AR	228005	0523611	BE-AR	710235
0523641	BE-AR	223830	0523641	BE-AR	223830	0523641	BE-AR	223830
0523645	BE-AR	225005	0523645	BE-AR	225005	0523645	BE-AR	225005
0523651	BE-AR	TCS45968	0523651	BE-AR	TCS45968	0523651	BE-AR	TCS45968
0523670	BE-AR	710235	0523670	BE-AR	710235	0523670	BE-AR	710235
0523670	BE-AR	BS40638	0523670	BE-AR	BS40638	0523670	BE-AR	BS40638
0523723	BE-AR	BS40387	0523723	BE-AR	BS40387	0523723	BE-AR	BS40387
052392	ALLCH	417316!	052392	ALLCH	417316!	052392	ALLCH	417316!
0525-14634LPD	JN-MN	415645!	0525-14634LPD	JN-MN	415645!	0525-14634LPD	JN-MN	415645!
0525-7042LUP	JN-MN	417262!	0525-7042LUP	JN-MN	417262!	0525-7042LUP	JN-MN	417262!
0525-7112LUP	JN-MN	415645!	0525-7112LUP	JN-MN	415645!	0525-7112LUP	JN-MN	415645!
0525-9964LPD	JN-MN	417549!	0525-9964LPD	JN-MN	417549!	0525-9964LPD	JN-MN	417549!
052640	ALLCH	471766!	052640	ALLCH	471766!	052640	ALLCH	471766!
052662	ALLCH	240735	052662	ALLCH	240735	052662	ALLCH	240735
052794	GMC	470682	052794	GMC	470682	052794	GMC	470682
052835	GMC	50075=	052835	GMC	50075=	052835	GMC	50075=
0529000	BE-AR	16214	0529000	BE-AR	16214	0529000	BE-AR	16214
0529001	BE-AR	16266	0529001	BE-AR	16266	0529001	BE-AR	16266
053219	GMC	473226	053219	GMC	473226	053219	GMC	473226
053243	ALLCH	240736	053243	ALLCH	240736	053243	ALLCH	240736
053279	GMC	471735	053279	GMC	471735	053279	GMC	471735
053496	ALLCH	417343!	053496	ALLCH	417343!	053496	ALLCH	417343!
053506	ALLCH	55199=	053506	ALLCH	55199=	053506	ALLCH	55199=
053517	ALLCH	417205!	053517	ALLCH	417205!	053517	ALLCH	417205!
053670	ALLCH	417316!	053670	ALLCH	417316!	053670	ALLCH	417316!
0537-10598LUP	JN-MN	417551	0537-10598LUP	JN-MN	417551	0537-10598LUP	JN-MN	417551
0537-12089LPD	JN-MN	415938	0537-12089LPD	JN-MN	415938	0537-12089LPD	JN-MN	415938
0537-16549LUP	JN-MN	455576!	0537-16549LUP	JN-MN	455576!	0537-16549LUP	JN-MN	455576!
0537-7193LPD	JN-MN	417554!	0537-7193LPD	JN-MN	417554!	0537-7193LPD	JN-MN	417554!
053926	ALLCH	240731	053926	ALLCH	240731	053926	ALLCH	240731
053927	ALLCH	240733	053927	ALLCH	240733	053927	ALLCH	240733
054-115-147B	AUDI	1108	054-115-147B	AUDI	1108	054-115-147B	AUDI	1108
054074	ALLCH	416271!	054074	ALLCH	416271!	054074	ALLCH	416271!
054270	ALLCH	412119!	054270	ALLCH	412119!	054270	ALLCH	412119!
054295	ALLCH	411394!	054295	ALLCH	411394!	054295	ALLCH	411394!
0543-6764LA	JN-MN	55357	0543-6764LA	JN-MN	55357	0543-6764LA	JN-MN	55357
05439	JAC	481073	05439	JAC	481073	05439	JAC	481073
05485	NATEN	417539!	05485	NATEN	4175			

Zero Duplication or Recommended		Zero Duplication or Recommended		Zero Duplication or Recommended		Zero Duplication or Recommended		
Mfr. No.	Name Industrial	Mfr. No.	Name Industrial	Mfr. No.	Name Industrial	Mfr. No.	Name Industrial	
05602404	TROS	473096	06010AB CASE	450621	06435606 ALLCH	471267!	068-198-171A AUDI	716102
05602405	TROS	350156	06017AB CASE	473466	064474 GEHL	471504!	068-198-171A VW	716102
05602405	TROS	473096	06030027 ALLCH	476838!	064551 EATON	410737!	068103051G VW	716102
05602804	TROS	472810!	06030076 ALLCH	471795	06486203 ALLCH	416345!	068103051L VW	716102
05603104	TROS	340771	06034623 ALLCH	473016!	06486203 ALLCH	455033	068112SB TRSCM	471529
05603204	TROS	342613!	06049738 ALLCH	416888!	06492664 ALLCH	415995!	068112TC TRSCM	471529
05603205	TROS	342613!	060504AB CASE	410308!	0650-10267LUP JN-MN	415294!	068118 AUTOZ	TCS45108
05604002	TROS	340849	06075AB CASE	471646!	0650-10715LUP JN-MN	415294!	068122SB TRSCM	471538!
056092SB	TRSCM	472705!	060775 ALLCH	471267!	0650-12772LUP JN-MN	415294!	068122TZ TRSCM	471538!
056103051D	VW	716102	060809VC TRSCM	340387	0650-16762LDS JN-MN	416229	068128 AUTOZ	TCS45285
056112TB	TRSCM	471281!	06081SM TRSCM	253747!	0650-8950LUP JN-MN	416229	068132SB TRSCM	471553!
056122TB	TRSCM	471355!	06081SM TRSCM	340849	065044AB CASE	410308!	068133TC TRSCM	471553!
056132TB	TRSCM	471551!	06081VM TRSCM	340387	06506778 ALLCH	471529	068135 AUTOZ	TCS45472
0562-10152LUP	JN-MN	417556	0608722 GMC	471224!	065089404 WHITE	471554!	068137 AUTOZ	TCS45473
0562-16720LDS	JN-MN	417555!*	0609108 THIOK	415960	065089406 WHITE	471808!	068139 AUTOZ	TCS45483
0562-60015LDS	JN-MN	417556!	06091VB TRSCM	343105	065097801 WHITE	J1134	068143B TRSCM	471579
0562-6533LPD	JN-MN	417555!	060920 ALLCH	416664!	065101101 WHITE	415053H=	068160 AUTOZ	TCS45603
05620006	JA-HE	472924!	06092TB TRSCM	351487	065101102 WHITE	417269!	068168 AUTOZ	TCS45635
05620007	JA-HE	473213!	06092TB TRSCM	7188S	065112SB TRSCM	481528	068181 AUTOZ	TCS45724
05620008	JA-HE	471271!	06092VB TRSCM	7188S	065117401 WHITE	415185H=	068200 AUTOZ	TCS45847
05620009	JA-HE	471646!	060931VB TRSCM	7399S!	065122SB TRSCM	481537	068326 AUTOZ	35094
05620010	JA-HE	350942	06101PVB TRSCM	314267N	06512990 ALLCH	415483	068376 AUTOZ	35394
0572106	EATON	411253!	06111SB TRSCM	474261	065133SB TRSCM	481073	068513 ALLCH	472144!
05727AB	CASE	471763	06112SB TRSCM	471466	065136001 WHITE	417621	0687-14128LDS JN-MN	455584
057288	ALLCH	472636!	06112TB TRSCM	471466	065139901 WHITE	416345=	0687-19138LUP JN-MN	455584*
0575-10303LUP	JN-MN	416666	06112TB TRSCM	471466!	065152TB TRSCM	481397	069-115-147 AUDI	1108
0575-12423LUP	JN-MN	416039	06112VTB TRSCM	471466!	06522402 WHITE	J1135=	06946AB CASE	473424!
0575-14915LPD	JN-MN	416666	06113TA TRSCM	471466	065611500 EATON	471466!	06949AB CASE	473424!
0575-15839LUP	JN-MN	415447	06117618 ALLCH	415035	06581144 ALLCH	415449	069641 ALLCH	330385!
0575-18542LUP	JN-MN	417362!*	0612-10311LUP JN-MN	455330!	06589428 ALLCH	476470!	069749 GMC	473211!
0575-8822LPD	JN-MN	417362!	0612-10381LPD JN-MN	455330!	0661010 LILIS	471692!	069897 GMC	471192
0575-9165LUP	JN-MN	416666	06122TB TRSCM	471264!	0661115B TRSCM	481481	06M5026901 WHITE	J1127
0575-9548LUP	JN-MN	417362!	0612B GOODM	471567!	066122VB TRSCM	471538	06M5050101 WHITE	J1121
057541100	EATON	415725!	06132TB TRSCM	471255!	0662-8431LPD JN-MN	417298	06M5572501 WHITE	473237!
057548	ALLCH	415045!	06132TB TRSCM	471255	066309 ALLCH	476470	06X5422301 WHITE	J1126
05757 NAK		13X28X7!	06132VTB TRSCM	471255	06680334 ALLCH	340771	06X5422601 WHITE	415196!
058519	REX	295200=	06134SSTB TRSCM	471255	066860 ALLCH	415035	0700-10063LPD JN-MN	416364!
058519	REX	416888!	061352 ALLCH	473179!	06707 NAK	125X170X15	0700-11577LPD JN-MN	416239!
058531	NATEN	471766!	06136 NAK	300X340X20	0672-E498 GM	OK311	0700-13240LDS JN-MN	416364!*
058531	REX	471766!	061374SSTZN TRSCM	450557	0672-F013 GM	OK411	0700-17062LUP JN-MN	471597
05861AB	CASE	474264	06152SZ TRSCM	471612	06739833 ALLCH	415349=	0700-17746LDS JN-MN	416239!*
0587-13816LPD	JN-MN	455297	061607A HARWA	6X16X7	0675-10062LUP JN-MN	417596	0700-6840LUP JN-MN	417597
0587-9654LUP	JN-MN	416476!	061696 ALLCH	415995!	0675-12078LPD JN-MN	417596	0700-6862LPD JN-MN	416364!
058876	ALLCH	415379	0618-4864LUP JN-MN	455583N!	0675-14821LDS JN-MN	415327	0700-9304LUP JN-MN	416239!
059-103-051D	AUDI	710205	06186621 ALLCH	470954!	0675-16763LDS JN-MN	417596	0704-0015 GM	470334!
059-103-051D	PORSC	710205	06198881 ALLCH	472179	0675-18711LPD JN-MN	417596	0704-0015 GM	50289
059-103-051D	PORSC	BS16144	06198907 ALLCH	416891!	0675-7208LUP JN-MN	415327	0704-0134 GM	50081
059-103-085E	AUDI	716484	06199004 ALLCH	471138!	0675-9048LUP JN-MN	415327	0704-0257 GM	50419
059103095	AUDI	25598	06207849 ALLCH	473010!	0675-9290LPD JN-MN	415327	0704-0279 GM	472560N!
059103095	VW	25598	062207A HARWA	6X22X7!	067541 ALLCH	471466!	0704-0283 GM	471652
059105257A	AUDI	J1105	0625-7194LPD JN-MN	455480!	0675AB CASE	471646!	0704-0291 GM	471763
059121119	AUDI	25598	0625-8804LPD JN-MN	455480!	067676 AUTOZ	13069	0704-0298 GM	473426
059121119	VW	25598	0625-8949LUP JN-MN	417562	067677 AUTOZ	13338	0704-0359 GM	473234!
059246	ALLCH	471649!	062559400 EATON	412473!	067824 AUTOZ	BS15868	0704-0405 GM	473471
0593-10258LPD	JN-MN	417780	06283576 ALLCH	415991	067828 AUTOZ	BS25035	0704-0424 GM	415483
0593-9351LPD	JN-MN	417780	06283576 ALLCH	415991!	067842 AUTOZ	BS40110	0704-0431 GM	415984!
0593-9401LPD	JN-MN	417780	06284855 ALLCH	415302	067849 AUTOZ	BS40380	0704-0442 GM	415088
059325	ALLCH	417316!	06288948 ALLCH	415379	067854 AUTOZ	BS40396	0704-0442 GM	415088!
059463900	EATON	55353	06289417 ALLCH	415449!	067863 AUTOZ	BS40449-1	0704-0444 GM	417171!
05950	SIDEW	2050004	06290407 ALLCH	417316!	067870 AUTOZ	BS40509	0704-0538 GM	472354!
059931VC	TRSCM	340797	06297337 ALLCH	411178=	067877 AUTOZ	BS40578	0704-0546 GM	472397!
059947	ALLCH	470898	06326086 ALLCH	471413	067878 AUTOZ	BS40592	0704-0571 GM	343098
0600-12196LUP	JN-MN	417365	06340061 ALLCH	450930=	067880 AUTOZ	BS40620	0704-0573 GM	470954!
0600-16079LDS	JN-MN	415683*	06345193 ALLCH	417269!	067913 ALLCH	471820	0704-0628 GM	470950!
0600-2499LUP	JN-MN	415683	06347033 ALLCH	417344!	067914 ALLCH	473214!	0704-0628 GM	6241S
0600-5610LUP	JN-MN	415072	06357784 ALLCH	415995!	068-103-085A AUDI	3476	0704-0640 GM	473234
0600-6719LA	JN-MN	415072	0637-17886LUP JN-MN	417563	068-103-085A VW	3476	0704-0699 GM	472492!
0600-8947LUP	JN-MN	415072	0637-9749LPD JN-MN	55692* =	068-103-085R VW	3476	0704-0730 GM	450068
0600-9514LUP	JN-MN	415683	06383863 ALLCH	471651	068-105-085E AUDI	3476	0704-0748 GM	417621!
0600-9993LUP	JN-MN	415072	064302 ALLCH	473464!	068-105-085E VW	3476	0704-0749 GM	416288!
06003803	TROS	340797	064302 ALLCH	473464!	068-198-171 AUDI	716102	0704-0893 GM	471868
06004003	TROS	7399S!	064305 ALLCH	470682	068-198-171 VW	716102	0704-0897 GM	415483

! Industrial Size/Type * Minor Width Difference = Call 1-800-480-1212 for price and delivery.

Zero Duplication or Recommended Industrial		Zero Duplication or Recommended Industrial		Zero Duplication or Recommended Industrial		Zero Duplication or Recommended Industrial		
Mfr. No.	Name	Mfr. No.	Name	Mfr. No.	Name	Mfr. No.	Name	
0704-5283	GM	415498	0704-6388	GM	415449!	0704-6782	GM	417344!
0704-5295	GM	416149	0704-6389	GM	470334!	0704-6783	GM	417350!
0704-5480	GM	471516!	0704-6437	GM	415962	0704-6784	GM	417355!
0704-5481	GM	415227!	0704-6440	GM	471567!	0704-6785	GM	417356!
0704-5503	GM	473235	0704-6459	GM	450188	0704-6786	GM	417357
0704-5504	GM	416345!	0704-6505	GM	416654!	0704-6787	GM	417484!
0704-5504	GM	455033	0704-6516	GM	416294!	0704-6788	GM	417491
0704-5505	GM	417514	0704-6523	GM	456744N	0704-6789	GM	417507
0704-5586	GM	415196!	0704-6527	GM	415034!	0704-6790	GM	417511
0704-5596	GM	472164!	0704-6530	GM	455134!	0704-6791	GM	417541
0704-5597	GM	415988	0704-6550	GM	417365	0704-6792	GM	417546!
0704-5598	GM	417316!	0704-6554	GM	473407	0704-6793	GM	417555!
0704-5599	GM	416339	0704-6557	GM	471539!	0704-6794	GM	417562
0704-5600	GM	415035	0704-6560	GM	50224	0704-6795	GM	417600
0704-5601	GM	415449!	0704-6562	GM	471729	0704-6796	GM	417602!
0704-5602	GM	470334!	0704-6565	GM	473414	0704-6797	GM	417604
0704-5603	GM	471785!	0704-6571	GM	455871	0704-6798	GM	417608
0704-5846	GM	416229	0704-6589	GM	471787!	0704-6799	GM	471764!
0704-5859	GM	471442!	0704-6590	GM	415077	0704-6800	GM	414268!
0704-5961	GM	417487	0704-6615	GM	415085!	0704-6801	GM	450593!
0704-5961	GM	417487!	0704-6615	GM	456648	0704-6802	GM	470806
0704-6061	GM	474252!	0704-6616	GM	412027	0704-6803	GM	450911N!
0704-6068	GM	471692!	0704-6617	GM	8059S	0704-6804	GM	472164
0704-6070	GM	471692!	0704-6621	GM	471567!	0704-6805	GM	451857
0704-6077	GM	474260	0704-6732	GM	5836	0704-6806	GM	455134!
0704-6080	GM	473427	0704-6733	GM	8705S	0704-6807	GM	417967!
0704-6082	GM	473203	0704-6734	GM	471766	0704-6808	GM	455194
0704-6094	GM	473211!	0704-6735	GM	472810!	0704-6809	GM	455356
0704-6102	GM	471835!	0704-6736	GM	203029	0704-6810	GM	455584
0704-6103	GM	323125	0704-6737	GM	324941	0704-6811	GM	474281!
0704-6103	GM	450456!	0704-6739	GM	415302	0704-6812	GM	471766!
0704-6109	GM	203013	0704-6740	GM	416332!	0704-6813	GM	470625!
0704-6113	GM	473440!	0704-6741	GM	416345!	0704-6814	GM	470950!
0704-6116	GM	472213	0704-6742	GM	417196!	0704-6814	GM	6241S
0704-6119	GM	470682	0704-6743	GM	417269!	0704-6815	GM	471138!
0704-6120	GM	50200	0704-6744	GM	417349!	0704-6816	GM	471224!
0704-6123	GM	340927	0704-6745	GM	417351!	0704-6817	GM	471271!
0704-6127	GM	43095S!	0704-6746	GM	417490	0704-6818	GM	471391!
0704-6130	GM	473233!	0704-6747	GM	417493	0704-6819	GM	473367
0704-6131	GM	473445	0704-6748	GM	417526	0704-6820	GM	471551!
0704-6133	GM	240119	0704-6750	GM	451082	0704-6821	GM	471554!
0704-6134	GM	471526!	0704-6751	GM	455019!	0704-6822	GM	471652
0704-6135	GM	450400	0704-6752	GM	455197N	0704-6823	GM	471705!
0704-6143	GM	473449!	0704-6753	GM	455480!	0704-6824	GM	471760
0704-6144	GM	473451!	0704-6754	GM	470380!	0704-6825	GM	471765!
0704-6149	GM	473454	0704-6755	GM	470590	0704-6826	GM	471820
0704-6150	GM	473454!	0704-6756	GM	474253	0704-6827	GM	472287!
0704-6157	GM	472492!	0704-6757	GM	471137	0704-6828	GM	472319
0704-6160	GM	473467	0704-6758	GM	471264!	0704-6829	GM	473197
0704-6163	GM	440972	0704-6759	GM	471267!	0704-6830	GM	473010!
0704-6164	GM	455080	0704-6760	GM	471413!	0704-6831	GM	473016!
0704-6167	GM	471138!	0704-6761	GM	471466!	0704-6832	GM	473205!
0704-6171	GM	411394!	0704-6762	GM	471472!	0704-6833	GM	473224!
0704-6183	GM	253747!	0704-6763	GM	471504	0704-6834	GM	473227!
0704-6184	GM	417079	0704-6764	GM	471529	0704-6835	GM	473232!
0704-6188	GM	476281	0704-6765	GM	471553!	0704-6836	GM	473233!
0704-6262	GM	416332!	0704-6766	GM	471564	0704-6837	GM	473258!
0704-6263	GM	40555	0704-6767	GM	471570!	0704-6838	GM	473313!
0704-6263	GM	40555S!	0704-6768	GM	471647	0704-6839	GM	473421
0704-6264	GM	471526!	0704-6769	GM	471730	0704-6840	GM	473446
0704-6268	GM	455022	0704-6770	GM	471744!	0704-6841	GM	473449!
0704-6272	GM	455871N	0704-6771	GM	471763	0704-6842	GM	480210!
0704-6346	GM	474254	0704-6772	GM	473459	0704-6843	GM	472354!
0704-6351	GM	472164!	0704-6773	GM	472439	0704-6844	GM	350435
0704-6380	GM	417570	0704-6774	GM	472475	0704-6845	GM	412861
0704-6382	GM	415116	0704-6775	GM	472492!	0704-6846	GM	416239!
0704-6383	GM	411253!	0704-6776	GM	473231!	0704-6847	GM	417601
0704-6385	GM	417316!	0704-6777	GM	473236!	0704-6848	GM	471341!
0704-6386	GM	416339	0704-6778	GM	473445	0704-6849	GM	471649!
0704-6386	GM	455031!	0704-6779	GM	476838!	0704-6850	GM	471651
0704-6387	GM	415035	0704-6780	GM	417159	0704-6851	GM	472213
0704-6387	GM	415035!	0704-6781	GM	471298	0704-6852	GM	472924!
0704-6853	GM	473214!				0704-6853	GM	473214!
0704-6854	GM	50883 =				0704-6854	GM	50883 =
0704-6855	GM	412027				0704-6855	GM	412027
0704-6856	GM	417481				0704-6856	GM	417481
0704-6857	GM	450545				0704-6857	GM	450545
0704-6858	GM	470898				0704-6858	GM	470898
0704-6859	GM	3492V				0704-6859	GM	3492V
0704-6861	GM	471141				0704-6861	GM	471141
0704-6862	GM	7751H				0704-6862	GM	7751H
0704-6863	GM	471750				0704-6863	GM	471750
0704-6864	GM	471554				0704-6864	GM	471554
0704-6865	GM	40085S				0704-6865	GM	40085S
0704-6866	GM	471413				0704-6866	GM	471413
0704-6868	GM	40494S				0704-6868	GM	40494S
0704-6870	GM	471224				0704-6870	GM	471224
0704-6871	GM	470954				0704-6871	GM	470954
0704-6872	GM	471526				0704-6872	GM	471526
0704-6873	GM	43072S				0704-6873	GM	43072S
0704-6875	GM	350156				0704-6875	GM	350156
0704-6875	GM	473096				0704-6875	GM	473096
0704-6877	GM	471103!				0704-6877	GM	471103!
0704-6878	GM	474279N!				0704-6878	GM	474279N!
0704-6880	GM	203025				0704-6880	GM	203025
0704-6881	GM	240319				0704-6881	GM	240319
0704-6882	GM	240735				0704-6882	GM	240735
0704-6883	GM	252277				0704-6883	GM	252277
0704-6884	GM	345035				0704-6884	GM	345035
0704-6885	GM	472016				0704-6885	GM	472016
0704-6886	GM	411376!				0704-6886	GM	411376!
0704-6887	GM	412119!				0704-6887	GM	412119!
0704-6888	GM	412920!				0704-6888	GM	412920!
0704-6889	GM	412943				0704-6889	GM	412943
0704-6890	GM	413469!				0704-6890	GM	413469!
0704-6891	GM	413479				0704-6891	GM	413479
0704-6892	GM	415001!				0704-6892	GM	415001!
0704-6893	GM	415027				0704-6893	GM	415027
0704-6894	GM	415036				0704-6894	GM	415036
0704-6895	GM	415090				0704-6895	GM	415090
0704-6897	GM	415128				0704-6897	GM	415128
0704-6898	GM	415284				0704-6898	GM	415284
0704-6899	GM	415294!				0704-6899	GM	415294!
0704-6900	GM	415349				0704-6900	GM	415349
0704-6901	GM	415351!				0704-6901	GM	415351!
0704-6902	GM	415437				0704-6902	GM	415437
0704-6903	GM	415458!				0704-6903	GM	415458!
0704-6904	GM	415551				0704-6904	GM	415551
0704-6905	GM	415725!				0704-6905	GM	415725!
0704-6906	GM	415995!				0704-6906	GM	415995!
0704-6906	GM	415995!				0704-6906	GM	415995!
0704-6907	GM	412473!				0704-6907	GM	412473!
0704-6908	GM	415937!				0704-6908	GM	415937!
0704-6909	GM	415938				0704-6909	GM	415938
0704-6910	GM	415960				0704-6910	GM	415960
0704-6911	GM	416077				0704-6911	GM	416077
0704-6912	GM	416107!				0704-6912	GM	416107!
0704-6913	GM	416137				0704-6913	GM	416137
0704-6914	GM	416154!				0704-6914	GM	416154!
0704-6915	GM	416158				0704-6915	GM	416158
0704-6916	GM	416229				0704-6916	GM	416229
0704-6917	GM	416364!				0704-6917	GM	416364!
0704-6918	GM	416556!				0704-6918	GM	416556!
0704-6918	GM	472157				0704-6918	GM	472157
0704-6919	GM	416624!				0704-6919	GM	416624!
0704-6920	GM	416666			</			

Zero Duplication or Recommended		Zero Duplication or Recommended		Zero Duplication or Recommended		Zero Duplication or Recommended	
Mfr. No.	Name	Mfr. No.	Name	Mfr. No.	Name	Mfr. No.	Name
0704-7126	GM	0704-7235	GM	0704-7321	GM	0704-7394	GM
0704-7127	GM	0704-7236	GM	0704-7322	GM	0704-7395	GM
0704-7128	GM	0704-7237	GM	0704-7323	GM	0704-7396	GM
0704-7130	GM	0704-7238	GM	0704-7324	GM	0704-7397	GM
0704-7131	GM	0704-7240	GM	0704-7325	GM	0704-7398	GM
0704-7132	GM	0704-7241	GM	0704-7326	GM	0704-7399	GM
0704-7133	GM	0704-7242	GM	0704-7327	GM	0704-7400	GM
0704-7134	GM	0704-7242	GM	0704-7328	GM	0704-7401	GM
0704-7135	GM	0704-7243	GM	0704-7329	GM	0704-7402	GM
0704-7136	GM	0704-7244	GM	0704-7330	GM	0704-7403	GM
0704-7137	GM	0704-7245	GM	0704-7331	GM	0704-7404	GM
0704-7138	GM	0704-7246	GM	0704-7332	GM	0704-7405	GM
0704-7139	GM	0704-7248	GM	0704-7333	GM	0704-7406	GM
0704-7140	GM	0704-7249	GM	0704-7334	GM	0704-7407	GM
0704-7143	GM	0704-7250	GM	0704-7335	GM	0704-7408	GM
0704-7145	GM	0704-7251	GM	0704-7336	GM	0704-7409	GM
0704-7146	GM	0704-7252	GM	0704-7337	GM	0704-7410	GM
0704-7147	GM	0704-7254	GM	0704-7338	GM	0704-7411	GM
0704-7148	GM	0704-7255	GM	0704-7339	GM	0704-7412	GM
0704-7149	GM	0704-7256	GM	0704-7340	GM	0704-7413	GM
0704-7150	GM	0704-7257	GM	0704-7341	GM	0704-7414	GM
0704-7153	GM	0704-7259	GM	0704-7342	GM	0704-7415	GM
0704-7155	GM	0704-7260	GM	0704-7343	GM	0704-7416	GM
0704-7156	GM	0704-7261	GM	0704-7344	GM	0704-7417	GM
0704-7157	GM	0704-7262	GM	0704-7345	GM	0704-7418	GM
0704-7158	GM	0704-7262	GM	0704-7346	GM	0704-7419	GM
0704-7159	GM	0704-7264	GM	0704-7347	GM	0704-7420	GM
0704-7160	GM	0704-7265	GM	0704-7348	GM	0704-7421	GM
0704-7161	GM	0704-7267	GM	0704-7349	GM	0704-7422	GM
0704-7162	GM	0704-7267	GM	0704-7350	GM	0704-7423	GM
0704-7163	GM	0704-7269	GM	0704-7351	GM	0704-7424	GM
0704-7165	GM	0704-7270	GM	0704-7352	GM	0704-7425	GM
0704-7166	GM	0704-7272	GM	0704-7353	GM	0704-7426	GM
0704-7167	GM	0704-7274	GM	0704-7354	GM	0704-7427	GM
0704-7168	GM	0704-7275	GM	0704-7355	GM	0704-7428	GM
0704-7170	GM	0704-7276	GM	0704-7356	GM	0704-7429	GM
0704-7171	GM	0704-7277	GM	0704-7357	GM	0704-7430	GM
0704-7174	GM	0704-7279	GM	0704-7358	GM	0704-7431	GM
0704-7175	GM	0704-7280	GM	0704-7359	GM	0704-7432	GM
0704-7176	GM	0704-7281	GM	0704-7360	GM	0704-7433	GM
0704-7177	GM	0704-7281	GM	0704-7361	GM	0704-7434	GM
0704-7178	GM	0704-7282	GM	0704-7362	GM	0704-7435	GM
0704-7179	GM	0704-7283	GM	0704-7363	GM	0704-7436	GM
0704-7180	GM	0704-7284	GM	0704-7364	GM	0704-7437	GM
0704-7183	GM	0704-7285	GM	0704-7365	GM	0704-7438	GM
0704-7184	GM	0704-7286	GM	0704-7367	GM	0704-7439	GM
0704-7185	GM	0704-7288	GM	0704-7368	GM	0704-7440	GM
0704-7186	GM	0704-7289	GM	0704-7369	GM	0704-7441	GM
0704-7188	GM	0704-7289	GM	0704-7370	GM	0704-7442	GM
0704-7189	GM	0704-7294	GM	0704-7371	GM	0704-7443	GM
0704-7190	GM	0704-7295	GM	0704-7372	GM	0704-7444	GM
0704-7191	GM	0704-7299	GM	0704-7373	GM	0704-7445	GM
0704-7193	GM	0704-7300	GM	0704-7374	GM	0704-7446	GM
0704-7194	GM	0704-7302	GM	0704-7375	GM	0704-7447	GM
0704-7196	GM	0704-7302	GM	0704-7376	GM	0704-7448	GM
0704-7197	GM	0704-7303	GM	0704-7377	GM	0704-7449	GM
0704-7199	GM	0704-7304	GM	0704-7378	GM	0704-7450	GM
0704-7202	GM	0704-7306	GM	0704-7379	GM	0704-7451	GM
0704-7203	GM	0704-7306	GM	0704-7380	GM	0704-7452	GM
0704-7204	GM	0704-7307	GM	0704-7381	GM	0704-7453	GM
0704-7205	GM	0704-7308	GM	0704-7382	GM	0704-7454	GM
0704-7207	GM	0704-7309	GM	0704-7383	GM	0704-7456	GM
0704-7208	GM	0704-7310	GM	0704-7384	GM	0704-7457	GM
0704-7209	GM	0704-7311	GM	0704-7385	GM	0704-7458	GM
0704-7211	GM	0704-7313	GM	0704-7386	GM	0704-7459	GM
0704-7212	GM	0704-7314	GM	0704-7387	GM	0704-7460	GM
0704-7213	GM	0704-7315	GM	0704-7388	GM	0704-7461	GM
0704-7220	GM	0704-7316	GM	0704-7389	GM	0704-7462	GM
0704-7222	GM	0704-7317	GM	0704-7390	GM	0704-7463	GM
0704-7227	GM	0704-7318	GM	0704-7391	GM	0704-7464	GM
0704-7232	GM	0704-7319	GM	0704-7392	GM	0704-7465	GM
0704-7234	GM	0704-7320	GM	0704-7393	GM	0704-7466	GM

! Industrial Size/Type = Call 1-800-480-1212 for price and delivery.

NUMERICAL

Zero Duplication or Recommended		Zero Duplication or Recommended		Zero Duplication or Recommended		Zero Duplication or Recommended		
Mfr. No.	Name	Mfr. No.	Name	Mfr. No.	Name	Mfr. No.	Name	
0704-7467	GM	417366!	0704-7541	GM	450269	0704-7618	GM	455297
0704-7468	GM	417474	0704-7542	GM	450273	0704-7619	GM	455311
0704-7469	GM	417480!	0704-7543	GM	450274	0704-7620	GM	455328
0704-7470	GM	417485	0704-7544	GM	450275	0704-7621	GM	455330!
0704-7471	GM	417486	0704-7545	GM	450279	0704-7622	GM	455336
0704-7472	GM	417492	0704-7546	GM	450280	0704-7623	GM	455396
0704-7473	GM	417494	0704-7547	GM	450285	0704-7624	GM	455406!
0704-7474	GM	417495	0704-7548	GM	450307	0704-7625	GM	455434
0704-7475	GM	417496	0704-7549	GM	450311	0704-7626	GM	455462
0704-7476	GM	417497	0704-7551	GM	450332	0704-7627	GM	455471
0704-7477	GM	417498	0704-7552	GM	450339	0704-7628	GM	455476
0704-7478	GM	417499	0704-7553	GM	450340	0704-7629	GM	455500
0704-7479	GM	417500	0704-7554	GM	450343	0704-7630	GM	455509
0704-7480	GM	417501	0704-7555	GM	450412	0704-7632	GM	455536
0704-7481	GM	417502	0704-7556	GM	450430	0704-7634	GM	455576!
0704-7482	GM	417503	0704-7557	GM	450446	0704-7635	GM	455583N!
0704-7483	GM	417504	0704-7558	GM	450456!	0704-7636	GM	455592
0704-7484	GM	417506	0704-7559	GM	450457	0704-7637	GM	455655!
0704-7485	GM	417509	0704-7560	GM	450467	0704-7638	GM	455661
0704-7486	GM	417513	0704-7561	GM	450472!	0704-7639	GM	455685
0704-7487	GM	417516	0704-7562	GM	450474	0704-7640	GM	415725 =
0704-7488	GM	417518	0704-7563	GM	450492	0704-7641	GM	455820
0704-7490	GM	417522	0704-7564	GM	450503 =	0704-7642	GM	455948
0704-7491	GM	417530	0704-7565	GM	450516	0704-7643	GM	455966
0704-7492	GM	417531	0704-7566	GM	450523	0704-7644	GM	3016
0704-7493	GM	417532	0704-7567	GM	450533	0704-7644	GM	456052
0704-7494	GM	417533	0704-7568	GM	450535	0704-7645	GM	456105
0704-7495	GM	417534	0704-7568	GM	471264!	0704-7646	GM	456141
0704-7496	GM	417535	0704-7569	GM	450540	0704-7647	GM	456192
0704-7497	GM	417536	0704-7571	GM	450604	0704-7648	GM	456305
0704-7498	GM	417537	0704-7572	GM	450621	0704-7649	GM	456462
0704-7499	GM	417538	0704-7573	GM	470645	0704-7650	GM	456464
0704-7500	GM	417539!	0704-7574	GM	450666	0704-7651	GM	456890
0704-7501	GM	417540	0704-7575	GM	450693	0704-7652	GM	457291
0704-7502	GM	417542	0704-7576	GM	450765!	0704-7653	GM	457294
0704-7503	GM	417543	0704-7577	GM	450803	0704-7654	GM	457295
0704-7504	GM	417544	0704-7578	GM	450808	0704-7656	GM	457585
0704-7505	GM	417545	0704-7579	GM	450819	0704-7658	GM	470050
0704-7506	GM	417547	0704-7580	GM	450869	0704-7659	GM	474264
0704-7507	GM	417548	0704-7581	GM	450965	0704-7660	GM	474265
0704-7508	GM	417549!	0704-7582	GM	450984	0704-7661	GM	470086
0704-7509	GM	417550	0704-7584	GM	451078!	0704-7662	GM	470088
0704-7510	GM	417551	0704-7585	GM	451143	0704-7663	GM	473462
0704-7511	GM	417554!	0704-7587	GM	451469	0704-7664	GM	472193!
0704-7512	GM	417556	0704-7588	GM	451583!	0704-7665	GM	470390
0704-7513	GM	417563	0704-7589	GM	451817	0704-7667	GM	470515
0704-7514	GM	417564	0704-7591	GM	451948	0704-7668	GM	470530!
0704-7515	GM	417567	0704-7592	GM	452086	0704-7669	GM	474272
0704-7516	GM	417571	0704-7593	GM	452222!	0704-7670	GM	470565!
0704-7517	GM	417584	0704-7594	GM	471619!	0704-7671	GM	470596
0704-7518	GM	417597	0704-7595	GM	453182	0704-7672	GM	470601
0704-7519	GM	417598	0704-7596	GM	453279!	0704-7673	GM	470605!
0704-7520	GM	417603!	0704-7597	GM	455008	0704-7674	GM	470687
0704-7521	GM	417605	0704-7598	GM	455020	0704-7675	GM	410737!
0704-7522	GM	417606	0704-7600	GM	455026	0704-7676	GM	470774!
0704-7523	GM	417607	0704-7601	GM	415027	0704-7677	GM	471141!
0704-7524	GM	417780	0704-7602	GM	455032!	0704-7678	GM	471193
0704-7525	GM	412920	0704-7603	GM	455037	0704-7679	GM	471231!
0704-7527	GM	450039	0704-7604	GM	455056	0704-7680	GM	471255!
0704-7528	GM	450044	0704-7605	GM	455080	0704-7681	GM	471270!
0704-7529	GM	450054	0704-7606	GM	455121	0704-7682	GM	471344
0704-7530	GM	450073	0704-7607	GM	455129	0704-7683	GM	471354!
0704-7531	GM	450089	0704-7608	GM	455136	0704-7684	GM	471407
0704-7532	GM	450104	0704-7609	GM	455144	0704-7685	GM	471424!
0704-7533	GM	450111	0704-7610	GM	455151	0704-7686	GM	481443!
0704-7534	GM	450133	0704-7611	GM	455189	0704-7687	GM	471498
0704-7535	GM	450143	0704-7612	GM	455191	0704-7688	GM	471530
0704-7536	GM	450147	0704-7613	GM	455203	0704-7689	GM	471532
0704-7537	GM	450159	0704-7614	GM	455253	0704-7690	GM	471535!
0704-7538	GM	450173	0704-7615	GM	455260	0704-7691	GM	471549!
0704-7539	GM	450177	0704-7616	GM	455280	0704-7692	GM	471558
0704-7540	GM	450260	0704-7617	GM	455290	0704-7693	GM	471579
0704-7694	GM	471612				0704-7694	GM	471612
0704-7695	GM	471633!				0704-7695	GM	471633!
0704-7696	GM	471643!				0704-7696	GM	471643!
0704-7697	GM	471645				0704-7697	GM	471645
0704-7698	GM	471646!				0704-7698	GM	471646!
0704-7699	GM	471648				0704-7699	GM	471648
0704-7700	GM	471686				0704-7700	GM	471686
0704-7701	GM	471688				0704-7701	GM	471688
0704-7702	GM	471689!				0704-7702	GM	471689!
0704-7703	GM	471684!				0704-7703	GM	471684!
0704-7704	GM	471707N				0704-7704	GM	471707N
0704-7705	GM	471729				0704-7705	GM	471729
0704-7706	GM	471733				0704-7706	GM	471733
0704-7707	GM	471735				0704-7707	GM	471735
0704-7708	GM	471736				0704-7708	GM	471736
0704-7709	GM	471737				0704-7709	GM	471737
0704-7710	GM	471762!				0704-7710	GM	471762!
0704-7711	GM	471795				0704-7711	GM	471795
0704-7712	GM	471795				0704-7712	GM	471795
0704-7713	GM	471801!				0704-7713	GM	471801!
0704-7714	GM	471808!				0704-7714	GM	471808!
0704-7715	GM	471818				0704-7715	GM	471818
0704-7716	GM	471821!				0704-7716	GM	471821!
0704-7717	GM	471827!				0704-7717	GM	471827!
0704-7718	GM	471829				0704-7718	GM	471829
0704-7719	GM	471831!				0704-7719	GM	471831!
0704-7720	GM	471833				0704-7720	GM	471833
0704-7721	GM	471841				0704-7721	GM	471841
0704-7722	GM	473258				0704-7722	GM	473258
0704-7723	GM	471854!				0704-7723	GM	471854!
0704-7724	GM	471862				0704-7724	GM	471862
0704-7725	GM	471866!				0704-7725	GM	471866!
0704-7726	GM	472016!				0704-7726	GM	472016!
0704-7727	GM	472018				0704-7727	GM	472018
0704-7728	GM	472020				0704-7728	GM	472020
0704-7729	GM	472029				0704-7729	GM	472029
0704-7730	GM	472070				0704-7730	GM	472070
0704-7731	GM	472082				0704-7731	GM	472082
0704-7732	GM	472150				0704-7732	GM	472150
0704-7733	GM	472150				0704-7733	GM	472150
0704-7734	GM	470380!				0704-7734	GM	470380!
0704-7735	GM	472189A!				0704-7735	GM	472189A!
0704-7736	GM	472234				0704-7736	GM	472234
0704-7737	GM	472299				0704-7737	GM	472299
0704-7738	GM	472324!				0704-7738	GM	472324!
0704-7739	GM	472394				0704-7739	GM	472394
0704-7740	GM	472409!				0704-7740	GM	472409!
0704-7741	GM	472456				0704-7741	GM	472456
0704-7742	GM	472452				0704-7742	GM	472452
0704-7743	GM	471549!				0704-7743	GM	471549!
0704-7744	GM	472467				0704-7744	GM	472467
0704-7745	GM	472572!				0704-7745	GM	472572!
0704-7746	GM	472636!				0704-7746	GM	472636!
0704-7747	GM	472644				0704-7747	GM	472644
0704-7748	GM	471747!				0704-7748	GM	471747!
0704-7749	GM	473259				0704-7749	GM	473259
0704-7750	GM	472705!				0704-7750	GM	472705!
0704-7751	GM	472826!				0704-7751	GM	472826!
0704-7752	GM	472843				0704-7752	GM	472843
0704-7753	GM	472954				0704-7753	GM	472954
0704-7754	GM	473157				0704-7754	GM	473157
0704-7755	GM	473179!				0704-7755	GM	473179!
0704-7756	GM	473210				0704-7756	GM	473210
0704-7757	GM	473213!						

Zero Duplication or Recommended		Zero Duplication or Recommended		Zero Duplication or Recommended		Zero Duplication or Recommended		
Mfr. No.	Name	Mfr. No.	Name	Mfr. No.	Name	Mfr. No.	Name	
0704-7765	GM	473243	0704-7842	GM	484058	0704-8761	GM	473424!
0704-7766	GM	473244!	0704-7867	GM	99062	0704-8765	GM	40566S
0704-7767	GM	473245!	0704-7868	GM	99076	0704-8990	GM	292594
0704-7769	GM	473317	0704-7869	GM	99087	0704-9112	GM	455204
0704-7771	GM	473405	0704-7870	GM	99098	0704-9195	GM	471271!
0704-7772	GM	473406!	0704-7872	GM	99112	0704-9874	GM	471267
0704-7773	GM	473407	0704-7873	GM	99125	0704-9877	GM	350364
0704-7774	GM	473412	0704-7874	GM	99138	0704-9878	GM	471267!
0704-7775	GM	473413	0704-7875	GM	99143	0704-9882	GM	470530!
0704-7776	GM	473415	0704-7876	GM	99149	0704-9883	GM	473464
0704-7777	GM	473419!	0704-7877	GM	99155	0704-9883	GM	473464!
0704-7778	GM	473420	0704-7878	GM	99156	0704-9884	GM	410987!
0704-7779	GM	473428	0704-7879	GM	99162	0704-9885	GM	471224!
0704-7780	GM	473435	0704-7880	GM	99168	0704-9886	GM	470682
0704-7781	GM	473436	0704-7881	GM	99174	0704-9887	GM	470625!
0704-7782	GM	473437	0704-7882	GM	99176	0704-9888	GM	450593!
0704-7783	GM	473438	0704-7883	GM	99181	0704-A171	GM	6863S!
0704-7784	GM	473440!	0704-7884	GM	99187	0704-A184	GM	335924N
0704-7785	GM	473442!	0704-7885	GM	99199	0704-A185	GM	340356
0704-7786	GM	474274	0704-7887	GM	99205	0704-A194	GM	471750!
0704-7787	GM	473444!	0704-7888	GM	99212	0704-A195	GM	470530!
0704-7788	GM	473447	0704-7889	GM	99218	0704-A197	GM	471766!
0704-7789	GM	473448	0704-7890	GM	99225	0704-A198	GM	472636!
0704-7790	GM	473450!	0704-7891	GM	99233	0704-A201	GM	417316!
0704-7791	GM	473452	0704-7892	GM	99237	0704-A203	GM	416888!
0704-7792	GM	473453	0704-7893	GM	99243	0704-A206	GM	442251
0704-7793	GM	473457!	0704-7894	GM	99248	0704-A211	GM	412943
0704-7794	GM	473458!	0704-7895	GM	99250	0704-A212	GM	473450
0704-7795	GM	473460	0704-7896	GM	99256	0704-A213	GM	472572!
0704-7796	GM	473461!	0704-7897	GM	99259	0704-A216	GM	471529
0704-7797	GM	473463	0704-7898	GM	99262	0704-A228	GM	410308!
0704-7798	GM	473464	0704-7899	GM	99272	0704-A229	GM	411394!
0704-7799	GM	473466	0704-7900	GM	99274	0704-A232	GM	473231
0704-7800	GM	473467	0704-7901	GM	99275	0704-A234	GM	471870!
0704-7801	GM	410308!	0704-7902	GM	99282	0704-A237	GM	471138!
0704-7801	GM	473468	0704-7903	GM	99287	0704-A238	GM	471341!
0704-7802	GM	473473	0704-7904	GM	99293	0704-A239	GM	471267!
0704-7803	GM	473474	0704-7906	GM	99300	0704-A240	GM	413248
0704-7804	GM	473475	0704-7907	GM	99312	0704-A245	GM	415007
0704-7805	GM	473517!	0704-7908	GM	99324	0704-A247	GM	476470
0704-7807	GM	475384	0704-7909	GM	99325	0704-A248	GM	416125!
0704-7808	GM	415035	0704-7910	GM	99337	0704-A251	GM	416891!
0704-7808	GM	475845!	0704-7911	GM	99350	0704-A253	GM	417269!
0704-7811	GM	476535	0704-7912	GM	99362	0704-A256	GM	416167!
0704-7812	GM	476820	0704-7913	GM	99367	0704-A257	GM	411376!
0704-7813	GM	476842	0704-7914	GM	99372	0704-A259	GM	415302
0704-7814	GM	477069	0704-7915	GM	99387	0704-A261	GM	418028
0704-7815	GM	480281!	0704-7916	GM	99393	0704-A261	GM	455137!
0704-7816	GM	474278	0704-7917	GM	99399	0704-A265	GM	417357
0704-7817	GM	480491	0704-7919	GM	99450	0704-A265	GM	455192!
0704-7818	GM	480821!	0704-7920	GM	99499	0704-A267	GM	415725!
0704-7819	GM	480844	0704-7921	GM	99599	0704-A268	GM	417601
0704-7821	GM	481163!	0704-7922	GM	99700	0704-A269	GM	417159
0704-7822	GM	481181!	0704-8120	GM	471344	0704-A270	GM	416404!
0704-7824	GM	480581	0704-8199	GM	410496!	0704-A273	GM	417262!
0704-7825	GM	481397	0704-8449	GM	471255!	0704-A274	GM	417350!
0704-7826	GM	481443!	0704-8689	GM	5551	0704-A277	GM	417191
0704-7827	GM	481481	0704-8691	GM	471442	0704-A277	GM	456585
0704-7828	GM	481528	0704-8694	GM	40059S	0704-A282	GM	415458!
0704-7829	GM	481534	0704-8698	GM	471787	0704-A283	GM	471272!
0704-7830	GM	481537	0704-8724	GM	455024	0704-A285	GM	482126
0704-7831	GM	481568!	0704-8725	GM	415379	0704-A370	GM	417349
0704-7832	GM	481792	0704-8725	GM	415379!	0704-A372	GM	476470!
0704-7833	GM	481834	0704-8727	GM	471981	0704-A372	GM	476470
0704-7834	GM	481859	0704-8733	GM	473455!	0704-A383	GM	415483
0704-7835	GM	481864	0704-8737	GM	43071S	0704-A443	GM	470605!
0704-7836	GM	481992	0704-8740	GM	471750!	0704-A473	GM	351028
0704-7837	GM	482163!	0704-8747	GM	340823	0704-B125	GM	415027!
0704-7838	GM	482253	0704-8748	GM	473239	0704-B125	GM	415027
0704-7839	GM	482309	0704-8752	GM	471870!	0704-B126	GM	416865!
0704-7840	GM	482310	0704-8756	GM	340413	0704-B128	GM	417196!
0704-7841	GM	484054	0704-8759	GM	45013S	0704-B130	GM	471413!
0704-B360	GM	450089				0704-B362	GM	411245!
0704-B362	GM	411245!				0704-B363	GM	417488!
0704-B363	GM	417488!				0704-B364	GM	456105
0704-B364	GM	456105				0704-B367	GM	417603!
0704-B367	GM	417603!				0704-B368	GM	473225!
0704-B368	GM	473225!				0704-B884	GM	415482
0704-C017	GM	473197!				0704-C019	GM	472179
0704-C019	GM	472179				0704-C082	GM	442507
0704-C082	GM	442507				0704-C197	GM	473238!
0704-C197	GM	473238!				0704-C341	GM	470712
0704-C341	GM	470712				0704-C342	GM	471652
0704-C342	GM	471652				0704-C509	GM	473224!
0704-C509	GM	473224!				0704-C723	GM	330385
0704-C723	GM	330385				0704-C739	GM	473423
0704-C921	GM	55301S				0704-D017	GM	471466!
0704-D017	GM	471466!				0704-D022	GM	45825S
0704-D022	GM	45825S				0704-D104	GM	3945
0704-D104	GM	3945				0704-D195	GM	471424!
0704-D195	GM	471424!				0704-D197	GM	472179
0704-D197	GM	472179				0704-D263	GM	415146!
0704-D263	GM	415146!				0704-D263	GM	415991
0704-D268	GM	472397!				0704-D268	GM	472397!
0704-D276	GM	410102				0704-D276	GM	410102
0704-D281	GM	41075S				0704-D286	GM	55469
0704-D296	GM	55469				0704-D318	GM	5526
0704-D318	GM	5526				0704-D836	GM	450326
0704-D836	GM	450326				0704-E051	GM	471141!
0704-E051	GM	471141!				0704-E113	GM	472016!
0704-E113	GM	472016!				0704-E756	GM	5924
0704-E756	GM	5924				0704-E812	GM	471762!
0704-E812	GM	471762!				0704-E924	GM	417344!
0704-E924	GM	417344!				0704-E925	GM	204020
0704-E925	GM	204020				0704-E925	GM	204505!
0704-E998	GM	472150				0704-E998	GM	472150
0704-E999	GM	473214!				0704-E999	GM	473214!
0704-F079	GM	471267!				0704-F091	GM	476470
0704-F091	GM	476470				0704-F093	GM	472012
0704-F093	GM	472012				0704-F095	GM	473459
0704-F095	GM	473459				0704-F223	GM	473467!
0704-F223	GM	473467!				0704-F268	GM	416229
0704-F268	GM	416229				0704-F294	GM	416664!
0704-F294	GM	416664!				0704-F372	GM	417554!
0704-F372	GM	417554!				0704-F433	GM	455556
0704-F433	GM	455556				0704-F770	GM	472193!
0704-F770	GM	472193!				0704-F772	GM	474278
0704-F772	GM	474278				0704-F772	GM	6859S
0704-F773	GM	471766!				0704-F773	GM	471766!
0704-F775	GM	473229				0704-F775	GM	473229
0704-F791	GM	417486				0704-F813	GM	471271!
0704-F813	GM	471271!				0704-F815	GM	415960
0704-F816	GM	415984!				0704-F816	GM	415984!
0704-F833	GM	471984				0704-F833	GM	471984
0704-G163	GM	481443!				0704-G163	GM	481443!
0704-G311	GM	417171!				0704-G311	GM	417171!
0704-G533	GM	472492!				0704-G533	GM	472492!
0704-G586	GM	473459!				0704-G600	GM	476470
0704-G600	GM	476470				0704-G794	GM	415449
0704-G794	GM	415449				0704-G802	GM	240731
0704-G802	GM	240731				0704-G804	GM	450593!
0704-G804	GM	450593!				0704-G807	GM	471787!
0704-G807	GM	471787!				0704-G808	GM	471787!
0704-G812	GM	473425				0704-G812	GM	473425
0704-G813	GM	472354				0704-G813	GM	472354
0704-G814	GM	472354!				0704-G814	GM	472354!
0704-G817	GM	340847				0704-G817	GM	340847

! Industrial Size/Type

NUMERICAL

Zero Duplication or Recommended		Zero Duplication or Recommended		Zero Duplication or Recommended		Zero Duplication or Recommended					
Mfr. No.	Name	Mfr. No.	Name	Mfr. No.	Name	Mfr. No.	Name				
0704-G821	GM	471424!	07043320	GM	471652	0704G906	GM	50764	07412M1	C-R	330385!
0704-G822	GM	472924!	07043324	GM	474276!	0704H249	GM	417487	07412T8	C-R	330385!
0704-G823	GM	472397!	07043335	GM	473236	0704H602	GM	471750!	07424BX	CASE	450984
0704-G824	GM	40301S	07043384	GM	471551!	0704H602	GM	50150	074961	ALLCH	412040
0704-G825	GM	470530!	07043635	GM	471466	0705019	THIOK	415263	074962	ALLCH	470898!
0704-G826	GM	472012	07044232	GM	471765!	0708-18440LUP	JN-MN	180X210X15	0750-10096LPD	JN-MN	415551
0704-G829	GM	6626S	07044352	GM	455079!	0709-7918	GM	99424	0750-10099LUP	JN-MN	415551
0704-G831	GM	473573	07044352	GM	55079	07091VM	TRSCM	240735	0750-11693LUP	JN-MN	415867
0704-G832	GM	413246	07044880	GM	501995!	07091VM	TRSCM	312518!	0750-15015LPD	JN-MN	415551
0704-G835	GM	416921!	07044880	GM	6863S!	070HH104	SPICE	473228!	0750-9973LUP	JN-MN	415867
0704-G837	GM	3893V	07045479	GM	471267!	070HH111	DANA	5865	07512M1	C-R	330385!
0704-G838	GM	470954	07045707	GM	415209!	070HH114	SPICE	477163N	075132TB	TRSCM	471554!
0704-G843	GM	240698	07045707	GM	416125!	070HH120	DANA	416556!	075132TB	TRSCM	471554
0704-G844	GM	471466!	07046084	GM	474255	070HH132	DANA	415437	075492	GMC	417082
0704-G898	GM	473179	07046390	GM	471785!	070HH132	DANA	415437!	075767	ALLCH	455820
0704-G899	GM	6808N	07046522	GM	415449!	070HH133	SPICE	370131A	07580	IH	350435
0704-G900	GM	43089S	07046543	GM	470506!	070HH133	SPICE	380131A	075978	ALLCH	471276
0704-G902	GM	415988	07046620	GM	417546!	070HH134	SPICE	370003A	075HMS12	C-R	330385!
0704-G903	GM	9568	07046749	GM	417596	070HH135	SPICE	370124A	0762-12209LUP	JN-MN	416102
0704-G907	GM	345146	07047187	GM	470409!	070HH136	DANA	456618	0762-17780LDS	JN-MN	417598
0704-G908	GM	481163!	07047187	GM	50409	070HH137	DANA	415958!	0762-5291LUP	JN-MN	416102
0704-G917	GM	473454	07047195	GM	470606!	070HH137	DANA	415958	0762-9360LUP	JN-MN	417598
0704-G922	GM	450084!	07047206	GM	473244!	070HH139	SPICE	415088	076243	GMC	471689!
0704-G925	GM	455267	07047206	GM	55087 =	070HH152	SPICE	370119A	076717	GMC	415458
0704-G928	GM	473427	07047225	GM	415442!	070HH152	VIC	370119A	076793	GMC	472179
0704-H287	GM	473422	07047225	GM	55442	070HH163	SPICE	473677	076960	ALLCH	6703S
0704-H575	GM	415991	07047231	GM	415857!	070HH171	DANA	472299	0775-10688LPD	JN-MN	455406!
0704-H577	GM	472644	07047258	GM	476838!	070HH187	SPICE	416865	0775-15527LDS	JN-MN	455406!
0704-H603	GM	472157	07047278	GM	312518!	0710144000	FREIG	471413!	0775-8941LUP	JN-MN	457299
0704-H604	GM	471652	07047278	GM	342518	071061VCY	TRSCM	240816	0775-8952LUP	JN-MN	455406!
0704-H614	GM	474278!	07047312	GM	410989	07109	JAC	472319	077934	GMC	416288!
0704-H648	GM	473235	07047312	GM	470989	071118SM	TRSCM	1049	078016	HYST	473459
0704-H678	GM	417158!	07047455	GM	417343!	07111SB	TRSCM	254270!	078133SB	TRSCM	481443!
0704-H724	GM	472299	07047526	GM	474273	07111VB	TRSCM	343185	078329	ALLCH	471689!
0704-H728	GM	203005!	07047570	GM	450557	07111VC	TRSCM	254270	078502	ALLCH	450400
0704-H728	GM	205005	07047570	GM	471255!	07111VC	TRSCM	343185	078593	ALLCH	416167!
0704-J015	GM	415725!	07047583	GM	471653!	0712-10379LUP	JN-MN	416239!	0787-10021LUP	JN-MN	455121
0704-J298	GM	446927!	07047666	GM	470487!	0712-12481LUP	JN-MN	416077	0787-18528LUP	JN-MN	200X230X15!
0704-J499	GM	470460	07047809	GM	415995!	07122SB	TRSCM	470954	0787-9832LUP	JN-MN	455397
0704-J744	GM	5133	07047823	GM	471195!	07122SB	TRSCM	470954!	0787-9886LUP	JN-MN	455121
0704-K492	GM	J1113	07047871	GM	99100	07122SC	TRSCM	470954	079276	ALLCH	6703S
0704-K555	GM	40208	07047871	GM	99101	07122TB	TRSCM	470954	079351	ALLCH	6863S!
0704-K652	GM	340826	07049881	GM	471466!	07122TB	TRSCM	470954!	079567	GMC	450084!
0704-K654	GM	351487	0704A196	GM	470954!	07122VTB	TRSCM	470954	079966	ALLCH	471267!
0704-K972	GM	330699!	0704A199	GM	471224!	07123TC	TRSCM	470954	0800-12929LUP	JN-MN	417601
0704-K986	GM	471272	0704A200	GM	472258!	0712B	GOODM	471570!	0800-14198LUP	JN-MN	417602!
0704-K988	GM	417621	0704A208	GM	470059	07132TB	TRSCM	480821!	0800-15076LDS	JN-MN	417602!
0704-M088	GM	474265!	0704A208	GM	470380!	07134SSTB	TRSCM	471554	0800-15199LDS	JN-MN	7131
0704-M139	GM	471554!	0704A219	GM	450165	07142SB	TRSCM	471567!	0800-16080LDS	JN-MN	415656
0704-M142	GM	6547	0704A219	GM	471801!	07142TB	TRSCM	471567!	0800-16311LUP	JN-MN	417602!
0704-M147	GM	204038	0704A221	GM	471619!	07143SB	TRSCM	481568!	0800-16525LDS	JN-MN	415052
0704M0808	GM	471646!	0704A222	GM	471787!	0714B	GOODM	470590	0800-17788LDS	JN-MN	417602!
07041102	GM	470004!	0704A236	GM	473227	07152TL	TRSCM	471498	0800-5609LUP	JN-MN	417602!
07041104	GM	471442!	0704B282	GM	471224!	071607B	HARWA	7X16X7	080011035LUP	JN-MN	417600
07041116	GM	471255!	0704B356	GM	471570!	07162TB	TRSCM	471643!	0803162	Y-T	411330!
07041254	GM	415234!	0704B358	GM	471750!	07172SB	TRSCM	471684!	080457	ALLCH	472164!
07041806	GM	471689!	0704B882	GM	416267!	071822SL	TRSCM	450033	080599	GMC	473236!
07041989	GM	472185!	0704C508	GM	471192	07182SB	TRSCM	470390	080609	GMC	473446
07041AB	CASE	417316!	0704D149	GM	450398	071947	ALLCH	416339	08079	JAC	471539!
07042086	GM	357302	0704D149	GM	471267!	071947	ALLCH	455031!	080974	GMC	411253!
07042086	GM	415991	0704F097	GM	470530!	07203SB	TRSCM	472649	08111VB	TRSCM	240733
07042110	GM	471795	0704F819	GM	470712!	072207A	HARWA	7X22X7	081121SZ	TRSCM	471539
07042356	GM	451583!	0704F832	GM	450593!	0725-12094LUP	JN-MN	416044	081133SB	TRSCM	353131
07042492	GM	350974!	0704F949	GM	450765!	0725-18709LPD	JN-MN	415116	081134SA	TRSCM	471231!
07042870	GM	323138!	0704F949	GM	50421	0725-8951LUP	JN-MN	415116	081142TL	TRSCM	474253
07042873	GM	450129	0704G164	GM	473238	07329AB	CASE	417211!	081162TB	TRSCM	471645
07042873	GM	472826!	0704G164	GM	50082	073526	AUTOZ	TCS45639-2	081162VSB	TRSCM	471645!
07042962	GM	450375!	0704G803	GM	450593!	073545	AUTOZ	TCS45718	081172SB	TRSCM	471686
07042962	GM	6936S!	0704G803	GM	450593!	073666	AUTOZ	TCS45958	0812-10347LUP	JN-MN	455123
07042962	GM	9845	0704G810	GM	473462!	073784	AUTOZ	BS40387	0812-10700LPD	JN-MN	455123
07043020	GM	471195!	0704G815	GM	473231	073849	AUTOZ	BS40652	08121VB	TRSCM	254287!
07043236	GM	471472!	0704G906	GM	470764!	074065	EATON	410686N	08121VB	TRSCM	7840S

! Industrial Size/Type = Call 1-800-480-1212 for price and delivery.

Zero Duplication or Recommended		Zero Duplication or Recommended		Zero Duplication or Recommended		Zero Duplication or Recommended	
Mfr. No.	Name	Mfr. No.	Name	Mfr. No.	Name	Mfr. No.	Name
081241VL	TRSCM	0900-11552LPD	JN-MN	09283-50001	SUZUK	0987501	ITM
081280	GMC	0900-14490LDS	JN-MN	09283-53001	SUZUK	09912M1	C-R
0812B	GOODM	0900-16554LUP	JN-MN	09283-54001	SUZUK	09914M1	C-R
081302VL	TRSCM	0900-8819LUP	JN-MN	09283-56002	SUZUK	09914Q6	C-R
08131VM	TRSCM	0900-8868LUP	JN-MN	09283-60003	SUZUK	09916M1	C-R
08132SB	TRSCM	0900-8948LUP	JN-MN	09283-60005	SUZUK	099593	GMC
08132SB	TRSCM	090148	LOKWD	09283-68001	SUZUK	099593	GMC
08132TB	TRSCM	090190	LOKWD	09283-68002	SUZUK	099856	ALLCH
08132BY	TRSCM	09020AB	CASE	09283-98001	SUZUK	0B443	HART
081369	GMC	0904021	ADAMS	0928320028	SUZUK	0CB521	CLSTL
081370	GMC	0906006	ADAMS	0928320028	SUZUK	0E1557B	FUNK
08142SB	TRSCM	0906027	ADAMS	0928335024	SUZUK	0N307	CATER
08142SB	TRSCM	0906035	ADAMS	0928340009	SUZUK	0S18891	SKF
08142TB	TRSCM	090655	ALLCH	0928344007	SUZUK	0T265A	MINNM
0814477	O-M	09074AB1	CASE	0928344007	SUZUK	1-88AX253	MACK
08152SB	TRSCM	091023	FRUEH	0928350002	SUZUK	1-C193	NOVO
08153TC	TRSCM	0911045	ADAMS	09284-45001	SUZUK	1-C198	NOVO
0815B	GOODM	0911046	ADAMS	09284365	ALLCH	1-C199	NOVO
081607A	HARWA	0911047	ADAMS	09285-00002	SUZUK	1-CW109	NOVO
081626	GMC	0911105	ADAMS	09286-64001	SUZUK	1-EC-0424	WHITE
08162TB	TRSCM	0912-9891LUP	JN-MN	09286-75001	SUZUK	1-ES12699	ROCKW
08172TB	TRSCM	09142TB	TRSCM	09289-48004	SUZUK	1-ES12783	ROCKW
0817348LPD	JN-MN	09142VSB	TRSCM	092895	CATER	1-ES13359	ROCKW
08182SB	TRSCM	09143SA	TRSCM	092926	H-EQ	1-ES13360	ROCKW
082025	L&N	09143SB	TRSCM	093132SB	TRSCM	1-ES13362	ROCKW
082026	L&N	09162SB	TRSCM	093132TB	TRSCM	1-ES13362	ROCKW
082179	ALLCH	0916B	GOODM	093132TB	TRSCM	1-ES13363	ROCKW
082207A	HARWA	09172SB	TRSCM	093132TB	TRSCM	1-ES13406	ROCKW
082207A	HARWA	09181WPB	TRSCM	093162SB	TRSCM	1-ES13802	ROCKW
082407A	HARWA	09203SB	TRSCM	093172SB	TRSCM	1-ES14393	ROCKW
0825-12149LUP	JN-MN	092407A	HARWA	0933971	ALLCH	1-ES14801	ROCKW
083011	GMC	0925-10252LPD	JN-MN	09345AB	CASE	1-ES15068	ROCKW
08319	JAC	0925-12831STLPD	JN-MN	09368AB	CASE	1-ES15112	ROCKW
083917	GMC	0925-16306LDS	JN-MN	0937-8823LPD	JN-MN	1-ES15113	ROCKW
083917	GMC	0925-17020LDS	JN-MN	09372	JAC	1-ES16007	ROCKW
084-409-189B	AUDI	092607A	HARWA	093801	CATER	1-ES16098	ROCKW
084-409-189B	VW	09262	NAK	093917	GMC	1-ES16325	ROCKW
08406294	BL-KN	09282-35002	SUZUK	093917	GMC	1-ES16652	ROCKW
08447	JAC	09282-48003	SUZUK	09391AB	CASE	1-ES17764	ROCKW
08447A	JAC	09283-15002	SUZUK	0940661990	CLIN	1-ES1851	ROCKW
0850-10371LUP	JN-MN	09283-20028	VILA	09439	NAK	1-ES18511	ROCKW
0850-15024LDS	JN-MN	09283-20040	SUZUK	09487	NAK	1-ES18576	ROCKW
0850-8835LUP	JN-MN	09283-26010	SUZUK	0950-16986LDS	JN-MN	1-ES18612	ROCKW
0850-8954LUP	JN-MN	09283-26016	SUZUK	0950-8824LUP	JN-MN	1-ES20176	ROCKW
08510	JAC	09283-28010	SUZUK	09504CH	CASE	1-JG1	KEN
08546HT	CASE	09283-32009	SUZUK	0950909	ITM	1-JG10	KEN
08583AB	CASE	09283-32016	SUZUK	0950950	ITM	1-JG2	KEN
085922	AUTOZ	09283-32016	VILA	0951585	ITM	1-JG3	KEN
0862-12441LPD	JN-MN	09283-32022	SUZUK	09516AB	CASE	1-JG4	KEN
087111VZ	TRSCM	09283-32022	SUZUK	0952009	ITM	1-JG5	KEN
08712M1	C-R	09283-32023	SUZUK	0952515	ITM	1-JG6	KEN
08712M1	C-R	09283-32026	SUZUK	095321243	VW	1-JG8	KEN
08714M1	C-R	09283-32038	SUZUK	095321243D	VW	1-JG9	KEN
08719	JAC	09283-32040	SUZUK	095580	ALLCH	1-SPC22A	NOVO
08721	NAK	09283-32042	SUZUK	0956034	ITM	1.5G18061	NATEN
08731	JAC	09283-35008	SUZUK	095984	GMC	10	BL-KN
0875-13789LUP	JN-MN	09283-35020	SUZUK	096184SB	TRSCM	10	BL-KN
0875-16179STLUP	JN-MN	09283-35025	SUZUK	0962-15171LDS	JN-MN	10-51	DEXTR
08754AB	CASE	09283-35037	SUZUK	096759	ALLCH	10-56	DEXTR
08759AB	CASE	09283-40013	SUZUK	096760	ALLCH	10-EUR20	MACK
08811	JAC	09283-40022	SUZUK	096761	ALLCH	100	UNIVE
088311113C	AUDI	09283-40027	SUZUK	09708AB	CASE	1000	TIMKE
088311113C	AUDI	09283-40027	SUZUK	09709AB	CASE	1000	UNIVE
08848	NAK	09283-42003	SUZUK	097127	ALLCH	1000-044-003	WARNR
088645	GMC	09283-42005	SUZUK	097342	ALLCH	1000-044-015	WARNR
088645	GMC	09283-42008	SUZUK	0975-13809LUP	JN-MN	1000-044-046	WARNR
0887-10333LUP	JN-MN	09283-44006	SUZUK	0975-14832STLPD	JN-MN	1000-044-048	WARNR
0887-13436LPD	JN-MN	09283-44009	SUZUK	0980912	ITM	1000-044-051	WARNR
0887-8943LPD	JN-MN	09283-45011	SUZUK	0981000	ITM	1000-044-052	WARNR
0887-9292LPD	JN-MN	09283-48003	SUZUK	098348007	SUZUK	1000-044-054	WARNR
089-409-529A	VW	09283-48007	SUZUK	098657	AUTOZ	1000-16365LUP	JN-MN
08994AB1	CASE	09283-49002	SUZUK	0987-7340LUP	JN-MN	1000-17846LDS	JN-MN

! Industrial Size/Type * Minor Width Difference = Call 1-800-480-1212 for price and delivery.

NUMERICAL

Zero Duplication or Recommended		Zero Duplication or Recommended		Zero Duplication or Recommended		Zero Duplication or Recommended	
Mfr. No.	Name	Mfr. No.	Name	Mfr. No.	Name	Mfr. No.	Name
1000-9830LUP	JN-MN	417605	100142SB	TRSCM	472311	100353	GMC
100001CA	SPG	710072	100142SC	TRSCM	472311	100355	100355
100002CA0	SPG	710073	100142TC	TRSCM	472311!	100356	SPG
1000044053	WARNR	472572	10014CP	C-R	6863S!	100357	TIMKE
1000057M1	MASSE	472311!	10015	C-R	320457	10035741	GMC
100007	SPG	8610	100150	MICH	471224!	10035LPD	JN-MN
100008CA	SPG	225275	100154BX	SPG	100154	10035LUP	JN-MN
100011CA	SPG	1937	10016	C-R	471442!	10036286	GMC
10001200	UNIVE	417020	100162	MICH	471649!	100362CA	SPG
100013CA	SPG	1938	100162	UNIVE	471649!	100365CA	SPG
100014CA	SPG	1939	100162SLD	MICH	471649!	100366CA	SPG
100018CA	SPG	225673	100165	TIMKE	100165	10036788	GMC
100020CA	SPG	1943	100166VD	SPG	415995	10036LPD	JN-MN
100021	MC-CL	471224!	10016M1	C-R	471442!	10036LUP	JN-MN
100021	SCOT	471224!	10016Q6	C-R	471442!	10037A	C-R
100022CA	SPG	1205	10016T3	C-R	471442!	100383TX	SPG
100022CA	SPG	1205N	100170	MC-CL	350435	100383TXA	SPG
1000233	C-R	457096V*	1001706	WITTE	470530!	100384TX	SPG
10002406	TROS	471103!	100171	MC-CL	471192	1004	TIMKE
1000243	C-R	457096V*	10017172	GMC	3698	1004	UNIVE
10002804	TROS	6863S!	100175	MICH	471689!	10040	C-R
10002805	TROS	50199S!	100175	UNIVE	471689!	100408	READY
10002805	TROS	6863S!	100176	MC-CL	450159	10041	C-R
10002806	TROS	50199S!	10017LPD	JN-MN	417546!*	100412	VICK
10002806	TROS	6863S!	10017LUP	JN-MN	417546!	100412VGR	SPG
10003204	TROS	471442!	10018	C-R	472705!	100414	CLARK
10003205	TROS	471442!	1001816M1	MASSE	471554!	100419	CLARK
10003206	TROS	471442!	100182	UNIVE	450593!	1004416M1	MASSE
100034BXO	SPG	100034	100182TB	TRSCM	450593!	1004418M1	MASSE
10003604	TROS	472705!	100183	MICH	450593!	10044LPD	JN-MN
10003606	TROS	472705!	1001837	MASSE	471649!	10044LUP	JN-MN
100040	C-R	417605	10018632	GMC	3698	100452BX	SPG
10004004	TROS	351487	100187	MICH	471733	10046337	GMC
100041	C-R	417605	100187	UNIVE	471733	100469BX	SPG
100042	C-R	417605*	10019	BU-SP	415138!	10047	C-R
100044	C-R	456483* =	10019	C-R	471689	100471BX	SPG
10004460	FIAT	223035	100190VAR	SPG	100190	1004790	KELSE
100044HA	IH	340787	1001938M1	MASSE	353132	1004899M1	MASSE
100045	C-R	417020	100196BX	SPG	100196	10049	C-R
10004802	TROS	240735	100198	MICH	471744!	10049	C-R
10004LPD	JN-MN	417344!	100198	UNIVE	471744!*	10049	SPG
10004LUP	JN-MN	417344!	100199TD	SPG	100199	100490BX	SPG
10005	SPG	471526!	100200	MICH	471760	1004911	ALLCH
100050	C-R	417020	100200	UNIVE	471760	100494	TIMKE
1000503M1	MASSE	471466!	1002021	WITTE	473467!*	100495	TIMKE
100051	C-R	417020	100202SB	TRSCM	471619!	100496	MC-CL
10005175	GMC	3698	100206	MICH	471619!	100497V	SPG
10005176	SELAS	3698	100206	UNIVE	471619!	1005	TIMKE
1000549M1	MASSE	471224!	10021	C-R	471689!	10050	C-R
100058	TIMKE	100058	10021LPD	JN-MN	455121	10050	C-R
1000580	C-R	417020	10021LUP	JN-MN	455121	10050LPD	JN-MN
100066R91	IH	416654	10022	AMC	450033	10050LUP	JN-MN
100067BX	SPG	100067	10023	C-R	471689!	100518BX	SPG
100075	C-R	417020	10024A3	DIA	5481\$	10052	CLARK
10008	C-R	471689	100251CA	SPG	3357	100522	CLARK
100080014.5	TROS	417602!	10026	FITZ	472082	10053	C-R
100085	TIMKE	100085	100263	TIMKE	100263	10053	C-R
100098	CUMMI	481397	100269	CLARK	473234	10053LPD	JN-MN
1000A80012	TROS	417602!	10027	C-R	204005	10053LPD	JN-MN
1001	TIMKE	473317	10030	C-R	203005!	10053LUP	JN-MN
1001159B	HARWA	100X115X9	10030-D2	REO	370007A	10053LUP	JN-MN
100115R91	IH	471224!	10030501	WITTE	473467!	10054	C-R
10012	C-R	471103!	10031	C-R	204005	10054	C-R
1001206TA	TRSCM	417020	100310BX	SPG	100310	10054563	GMC
100120R	CASE	473414	1003344	ALLCH	415145N=	10054563	GMC
10012M1	C-R	471103!	10033593	GMC	224255*	10054LUP	JN-MN
100130	CLARK	55646 =	10033594	GMC	710179	100550VJ8	SPG
10014	C-R	6863S!	10034	C-R	203005!	100557	TIMKE
10014013A	HARWA	100X140X13	10034	C-R	205005	10055LPD	JN-MN
100141BX	SPG	100141	10034D5	DIA	415458!	10055LUP	JN-MN
100142BX	SPG	100263	10034R	IH	471785!	100564	MC-CL
100142SB	TRSCM	472311!	10035	C-R	204005	100566VA	SPG
10057	C-R	240457*	10057LPD	JN-MN	416339	10057LUP	JN-MN
10057LPD	JN-MN	455031!	10057LUP	JN-MN	416339	10057LUP	JN-MN
10057LUP	JN-MN	455031!	100584	MC-CL	481443!	100584	MC-CL
100584	MC-CL	481443!	100586	CLARK	450129	100586	CLARK
100586	CLARK	450129	100586	CLARK	472826!	100587	CLARK
100586	CLARK	451469	100587	CLARK	451469	100587	CLARK
100587	CLARK	451469	10058LPD	JN-MN	471766!	10058LPD	JN-MN
10058LPD	JN-MN	471766!	10058LUP	JN-MN	471766!	100593BG	SPG
10058LUP	JN-MN	471766!	10059	CLARK	45187S	10059	CLARK
10059	CLARK	45187S	10059	NATL	410059	10059	NATL
10059	NATL	410059	10059	NATL	470380!	10059	SPG
10059	SPG	410059	10059	SPG	470380!	10059	SPG
10059	SPG	470380!	10059S	JN-MN	353132	10059S	JN-MN
10059S	JN-MN	353132	1006	TIMKE	2689S	1006	TIMKE
1006	TIMKE	2689S	10060	C-R	240457*	10060	C-R
10060	C-R	240457*	1006050	WITTE	340771	1006050	WITTE
1006050	WITTE	340771	100608X	SPG	100400V	100608X	SPG
100608X	SPG	100400V	10060LPD	JN-MN	473010!	10060LPD	JN-MN
10060LPD	JN-MN	473010!	10060LUP	JN-MN	473010!	100610BG	SPG
10060LUP	JN-MN	473010!	10062	SPG	474264	10062	SPG
100610BG	SPG	100610	100624VJ8	SPG	4525V	100624VJ8	SPG
10062	SPG	474264	10062LUP	JN-MN	417596	10062LUP	JN-MN
100624VJ8	SPG	4525V	10062LUP	JN-MN	417596	10062LUP	JN-MN
10062LUP	JN-MN	417596	10063	DEXTR	370219A	10063	DEXTR
10062LUP	JN-MN	417596	10063LPD	JN-MN	416364!	10063LPD	JN-MN
10063	DEXTR	370219A	10063LUP	JN-MN	416364!	10063LUP	JN-MN
10063LPD	JN-MN	416364!	10064	SSR	100641	10064	SSR
10063LUP	JN-MN	416364!	100641	SSR	100641	100641	SSR
10064	SSR	100641	10065600	GMC	4307V!	10065600	GMC
100641	SSR	100641	10065600	GMC	5273	10065600	GMC
10065600	GMC	4307V!	10065600	GMC	5273	10065600	GMC
10065600	GMC	5273	100658HA	SPG	228480	100658HA	SPG
10065600	GMC	5273	100658HA1	SPG	228480	100658HA1	SPG
100658	SPG	228480	10065LPD	JN-MN	415303!	10065LPD	JN-MN
100658HA	SPG	228480	10065LUP	JN-MN	415303!	10065LUP	JN-MN
10065LPD	JN-MN	415303!	10066	C-R	450593!	10066	C-R
10065LUP	JN-MN	415303!	10066	C-R	450593!	10066	C-R
10066	C-R	450593!	10066	C-R	450593	10066	C-R
10066	C-R	450593	100664SS	SPG	9599S	100664SS	SPG
10066	C-R	450593	100667	CLARK	473473	100667	CLARK
100664	SSR	100641	100667	CLARK	473473	100667	CLARK
100664SS	SPG	9599S	10067	C-R	450593!	10067	C-R
100667	CLARK	473473	10067	C-R	450593	10067	C-R
100667	CLARK	473473	10067	C-R	450593	10067	C-R
10067	C-R	450593!	10067	SPG	473228!	10067	SPG
10067	C-R	450593	100675	TIMKE	100675	100675	TIMKE
10067	C-R	450593	100675VA8	SPG	100675	100675VA8	SPG
100675	CLARK	472015!	100675VA8	SPG	719316	100675VA8	SPG
100675	CLARK	472015!	1006864	ALLCH	415196 =	1006864	ALLCH
100675VA8	SPG	719316	1006864	ALLCH	415196 =	1006864	ALLCH
100675VA8	SPG	719316	100696VJ8	SPG	100696	100696VJ8	SPG
1006864	ALLCH	415196 =	1007	TIMKE	5699	1007	TIMKE
1006864	ALLCH	415196 =	1007+2007	STEM	416865	1007+2007	STEM
100696	SPG	100696	1007+2096	STEM	416865	1007+2096	STEM
100696VJ8	SPG	100696	1007+320-2007	STEM	416865	1007+320-2007	STEM
1007	TIMKE	5699	10070	SPG	472185!	10070	SPG
1007+2007	STEM	416865	100700	CLARK	472015!	100700	CLARK
1007+2096	STEM	416865	10070R	IH	412119!	10070R	IH
1007+320-2007	STEM	416865	10070R	IH	412119!	10070R	

Zero Duplication or Recommended		Zero Duplication or Recommended		Zero Duplication or Recommended		Zero Duplication or Recommended	
Mfr. No.	Name	Industrial	Mfr. No.	Name	Industrial	Mfr. No.	Name
10077	C-R	471733*	1010	DEXTR	413470!	10124	C-R
10078	C-R	471733*	1010+2031	STEM	370013A	101246	MC-CL
10079	C-R	471733	1010+2046	STEM	370013A	1012461	MC-CL
1007A3	WHITE	412119!	1010+320-2031	STEM	370013A	10125	C-R
1007VB7	MARI	415227!	1010+320-2046	STEM	370013A	10125	UNIVE
1008	BUSHH	471984	10100	C-R	471733	101255	CLARK
1008	SPG	473010!	10100LPD	JN-MN	417433	10126	C-R
1008	TIMKE	2146	10100LUP	JN-MN	417433!	101260	SPERY
1008	UNIVE	415227!	10101	SPG	412119!	101277	TW-CO
1008+2018	STEM	417134	10101164	GMC	2261	101277	TW-CO
1008+2105	STEM	370054A	10104	C-R	50462*	10128	C-R
1008+2164	STEM	370150A	101044	MC-CL	450545	10128317	GMC
1008+320-2018	STEM	417134	101045	MC-CL	470506!	101285	TW-CO
1008+320-2105	STEM	370054A	10108	C-R	240462*	101285	TW-CO
1008+320-2164	STEM	370150A	101082	COOK	456618	10129	C-R
10081225	UNIVE	417570	101083	WHELA	416891!	10129	SPG
10082	C-R	471733	10108477	GMC	4359V	101295C1	IH
10083	SPG	472924!	101097	ALFAR	713008	10129LPD	JN-MN
10085	SPG	470530!	1011	SPG	471192	10129LUP	JN-MN
100855301	EATON	HU009A	1011	TIMKE	9406S	1012N	SPG
100855302	EATON	HU009A	1011004M1	MASSE	471224!	1012N	TIMKE
100858201	EATON	370001A	1011035	WOOL	415960!	1012S	TIMKE
100858201	EATON	380001A	1011056	DURA	473236!	1013	SPG
100858401	EATON	370001A	1011057	DURA	473197	1013	TIMKE
100858401	EATON	380001A	10110LPD	JN-MN	415559*	1013	TIMKE
100859	CUMMI	472705!	10110LUP	JN-MN	415559	1013+2003	STEM
10085NA	SPG	470530	101116A	OLIVE	340413	1013+2013	STEM
10087LPD	JN-MN	416921!	10111769	GMC	9845	1013+2013	STEM
10087LUP	JN-MN	416921!	10111LPD	JN-MN	471862*	1013+2013	STEM
10088158	GMC	4359V	10111LUP	JN-MN	471862	1013+2109	STEM
10088158	GMC	5274	10112	C-R	240462	1013+2109	STEM
100884	C-R	455123	10112635	GMC	5778V	1013+2109	STEM
1008VB7	MARI	415227!	10112663	GMC	7457N*	1013+320-2003	STEM
1009	TIMKE	331301N	10114	C-R	471744!	1013+320-2003	STEM
1009+2043	STEM	370015A	101147	CLARK	473228	1013+320-2003	STEM
1009+2181	STEM	370015A	10115	C-R	471744!	1013+320-2086	STEM
1009+320-2043	STEM	370015A	10115	SPG	473467!	1013+320-2109	STEM
1009+320-2181	STEM	370015A	101151	CLARK	473367!	1013+320-2109	STEM
100927	HK-SY	8907	10115744	GMC	4307V!	1013+320-2109	STEM
100944	CLARK	416271!	10116	C-R	471744!*	101300	MC-CL
10096	C-R	471733	101162	UNIVE	481650	101303	MC-CL
10096LPD	JN-MN	415551	10117	C-R	471744!*	101305	MC-CL
10096LUP	JN-MN	415551	10117728	GMC	3543	101306	MC-CL
10097	CLARK	472015!	10117848	GMC	9613S	10131	C-R
100971	GMC	6846S=	101180	CUMMI	471984	101311VL	TRSCM
10097LPD	JN-MN	417344!	101181	CUMMI	473229	101314	WHITE
10097LUP	JN-MN	417344!	101191	GMC	416239!	101316M1	MASSE
10099LPD	JN-MN	415551	1011J-1	OSHKO	415035	1013166M2	MASSE
10099LUP	JN-MN	415551	1011J-1	OSHKO	415035!	10132	SPG
10099P	IH	473447	1012	BR-WN	472560N!	10132LPD	JN-MN
100A03604	TROS	472705!	1012	TIMKE	9912	10132LUP	JN-MN
100B02806	TROS	50199S!	1012	UNIVE	55228=	10132SB	TRSCM
100B02806	TROS	6863S!	1012+2016	STEM	417505	10132SB	TRSCM
100E1190	FORD	1070=	1012+320-2010	STEM	370033A	10132TBY	TRSCM
100E7657	FORD	2551	1012+320-2012	STEM	370023A	10133	C-R
100F16	C-R	471442!	1012+320-2012	STEM	380023A	101342	HU-WR
100FM16	C-R	471442!	1012+320-2016	STEM	417505	10135	SPG
100HMS16Q6	C-R	6863S!	10120	C-R	471760*	101362	AM WH
100ML16Q6	C-R	471442!	10120	SPG	471224!	101362	AM WH
100W2	REO	HU024A	10120LPD	JN-MN	412040	101366	MC-CL
100X115X9	SIMRT	100X115X9	10120LUP	JN-MN	412040	101367	MC-CL
100X120X10AN	ISP	100X120X10	10121	C-R	471760*	101368	MC-CL
100X120X10AN(35)	ISP	100X120X10	1012141M1	MASSE	204002	10136S	SPG
100X120X12SC	TRSCM	100X120X12	101216	CLARK	416921!	1014	TIMKE
100X120X12TC	TRSCM	100X120X12	101216	MIXMO	416921!	1014+2014	STEM
100X125X12SC	TRSCM	100X125X12	10121LPD	JN-MN	415449!	1014+2117	STEM
100X125X12TC	TRSCM	100X125X12	10121LUP	JN-MN	415449!	1014+320-2014	STEM
100X130X12SC	TRSCM	100X130X12!	10121VM	TRSCM	240731	1014+320-2117	STEM
100X130X12TC	TRSCM	100X130X12!	1012219M1	MASSE	471750!	10140533	GMC
100X140X13	SIMRT	100X140X13	1012253-5	MC-CL	340797	10140538	GMC
100Z16	C-R	471442!	101225E	MC-CL	340797	10141	SPG
101	UNIVE	471735	10123	C-R	471760	10141VB	TRSCM
101242LPD	JN-MN	416297	10124	C-R	471760	10142LPD	JN-MN
10142TB	TRSCM	471224!	101246	MC-CL	330385	10142TB	TRSCM
10142TBY	TRSCM	471224	1012461	MC-CL	330385	10142TBY	TRSCM
10142TB7	TRSCM	471224!	10125	C-R	471760	10142TB7	TRSCM
10142VTB	TRSCM	471224!	10125	UNIVE	50445	10142VTB	TRSCM
101443	ALFAR	713005	101255	CLARK	415458!	101443	ALFAR
101448	CLARK	417351!	10126	C-R	471760	101448	CLARK
10145	C-R	471760*	101260	SPERY	473462!	10145	C-R
1014734	CINMI	472185!	101277	TW-CO	450165	1014734	CINMI
10149	C-R	471760	101277	TW-CO	471801!	10149	C-R
101497	CLARK	471766!	10128	C-R	471760	101497	CLARK
1014RING+320-2014	STEM	370030A	10128317	GMC	324234V	1014RING+320-2014	STEM
1015	FMS	1015N	101285	TW-CO	450165	1015	FMS
1015	TIMKE	1015	101285	TW-CO	471801!	1015	TIMKE
10151LPD	JN-MN	417546!	10129	C-R	471760	10151LPD	JN-MN
10151LUP	JN-MN	417546!	10129	SPG	472826!	10151LUP	JN-MN
1015243M1	MASSE	203025	101295C1	IH	473231!	1015243M1	MASSE
10152LPD	JN-MN	417556	10129LPD	JN-MN	417493	10152LPD	JN-MN
10152LUP	JN-MN	417556	10129LUP	JN-MN	417493	10152LUP	JN-MN
10152VB	TRSCM	471270!	1012N	SPG	45X62X8	10152VB	TRSCM
10153	C-R	471760	1012N	TIMKE	1012N	10153	C-R
101533	BU-SP	415379	1012S	TIMKE	1012	101533	BU-SP
101533	BU-SP	415379!	1013	SPG	472492!	101533	BU-SP
10153SA	TRSCM	471076	1013	TIMKE	9049	101533A	TRSCM
10154LUP	JN-MN	456641*	1013	TIMKE	9049N	10154LUP	JN-MN
10155	C-R	471760	1013+2003	STEM	370036A	10155	C-R
10155TA	TRSCM	471224	1013+2013	STEM	370349A	10155TA	TRSCM
10156	C-R	471760	1013+2013	STEM	380036A	10156	C-R
10156051	GMC	4307V!	1013+2109	STEM	370036A	10156051	GMC
10157	C-R	472138*	1013+2109	STEM	370349A	10157	C-R
101572TB	TRSCM	473380	1013+2109	STEM	380036A	101572TB	TRSCM
10158	C-R	471619!	1013+320-2003	STEM	370349A	10158	C-R
101584	MC-CL	340797	1013+320-2003	STEM	380036A	101584	MC-CL
10159	C-R	471619!	1013+320-2086	STEM	417507	10159	C-R
101590	CLARK	415036	1013+320-2109	STEM	370036A	101590	CLARK
101590	TW-CO	415036	1013+320-2109	STEM	370349A	101590	TW-CO
101595	COOK	55522=	101300	MC-CL	340787	101595	COOK
1015N	TIMKE	1015N	101303	MC-CL	450545	1015N	TIMKE
1016	TIMKE	9178S	101305	MC-CL	471267!	1016	TIMKE
10160	C-R	471619!	101306	MC-CL	340817	10160	C-R
10161	C-R	471619	10131	C-R	471760	10161	C-R
10161	C-R	471619!	101311VL	TRSCM	342517	10161	C-R
10161	C-R	471619!	101314	WHITE	370007A	10161	C-R
10161250	UNIVE	415227!	101316M1	MASSE	473459	10161250	UNIVE
10162	C-R	471619	1013166M2	MASSE	473459	10162	C-R
10162	C-R	471619!	10132	SPG	412920!	10162	C-R
10162	SPG	471765!	10132LPD	JN-MN	415371	10162	SPG
10162078	GMC	474241V!	10132LUP	JN-MN	415371	10162078	GMC
10162SB	TRSCM	471649!	10132SB	TRSCM	252277	10162SB	TRSCM
10162TB	TRSCM	471649!	10132SB	TRSCM	441130!	10162TB	TRSCM
10163	C-R	471619!	10132TBY	TRSCM	252277	10163	C-R
10163	C-R	471619	10133	C-R	471760	10163	C-R
10163SA	SPG	471766!	101342	HU-WR	415036	10163SA	SPG
10163SM	TRSCM	471651	10135	SPG	471192	10163SM	TRSCM
10164LPD	JN-MN	412473!	101362	AM WH	415035	10164LPD	JN-MN
10164LUP	JN-MN	412473!	101362	AM WH	415035!	10164LUP	JN-MN
10164SSTM	TRSCM	471649	101366	MC-CL	473425	10164SSTM	TRSCM

Zero Duplication or Recommended		Zero Duplication or Recommended		Zero Duplication or Recommended		Zero Duplication or Recommended						
Mfr. No.	Name	Mfr. No.	Name	Mfr. No.	Name	Mfr. No.	Name					
10169	ALLCH	472157!	10193	C-R	26X42X10	102206	UNIVE	473420	1025	4873LUP	JN-MN	417570
10169	ALLCH	472157	10193TB	TRSCM	471744!	102207A	HARWA	10X22X7!	10250	C-R	26X52X8	
10169	TRAC	472157!	1019646	DURA	472311!	102207XX	TIMKE	10X22X7	102507XX	TIMKE	10X25X7	
10169	TRAC	472157!	1019S	TIMKE	1019	1022132	DURA	254287	10250LPD	JN-MN	473234	
101691A	OLIVE	472258!	101SP15	MACK	5M867	1022132	MOTO	254287	10250LUP	JN-MN	473234	
101691A	WHITE	472258!	101VB7	MARI	471224!	1022309	WOOL	416339	102513	HOUGH	417316!	
1016B	GOODM	471766!	102	C-R	5414	1022309	WOOL	455031!	102513H1	HOUGH	417316!	
1017	TIMKE	5113	102	DEXTR	473235	102265	HOUGH	417539!	1025174M1	MASSE	6936S	
1017+2017	STEM	418028	102	UNIVE	470712!	102265H1	HOUGH	417539!	102520	C-R	55441=	
1017+320-2017	STEM	418028	102-W2	REO	HU028A	10227	WITTE	415697!	10252LPD	JN-MN	415219 *	
10171	C-R	222630	1020	TIMKE	442380	10227	WITTE	455547	10252LUP	JN-MN	415219	
10171	C-R	26X38X5!	10200	C-R	26X45X8	10228655	GMC	9845	10253	C-R	26X52X8	
10171	GW	415035!	102001	HOUGH	417967!	102292	CLARK	470334!	1025354M1	MASSE	5092 \$	
10171	GW	415035	102001H1	HOUGH	417967!	10229LPD	JN-MN	471571 *	10253LPD	JN-MN	473243 *	
101712A	WHITE	311189	10201LPD	JN-MN	416865!	10229LUP	JN-MN	471571	10253LUP	JN-MN	473243	
1017293M1	MASSE	240356	10201LUP	JN-MN	416865!	1023	TIMKE	8704S	102540	C-R	417570 *	
10172LPD	JN-MN	470625!	10202A	C-R	450593!	1023+2004	STEM	370107A	102550	C-R	417570	
10172LUP	JN-MN	470625!	10202TB	TRSCM	471760	1023+2023	STEM	370065A	102551	C-R	417570	
10172TB	TRSCM	471689!	10202VHY	TRSCM	471760	1023+320-2004	STEM	370107A	102553	GMC	417298	
10172TBY	TRSCM	471689!	10202VTB	TRSCM	471760	1023+320-2031	STEM	370065A	1025611	CANAD	415447	
10172VAY	TRSCM	471689	1020372	CANAD	416865!	1023+320-2031	STEM	380065A	102577	MC-CL	481443!	
10172VTB	TRSCM	471689!	10205	C-R	710053	10230	C-R	222655	10258LPD	JN-MN	417780	
10173	C-R	222630	10205	GW	471567!	10230	C-R	26X48X7!	10258LUP	JN-MN	417780	
10173	C-R	26X38X5!	102053	MC-CL	481443!	10230	SPG	471689!	10259LPD	JN-MN	470898	
101732	FR-HT	41013S	10206	GW	471554!	10234	DANMA	204002	10259LUP	JN-MN	470898	
101736	FORD	471192	102062SB	TRSCM	473420	10234F	IH	473462	1026	TIMKE	3677	
10173SA	TRSCM	471689	10206D	IH	473447	1023564	DURA	473231!	1026+2025	STEM	370019A	
10173TB	TRSCM	471744!	102078	KELSE	204035	10236	SPG	470712!	1026+2026	STEM	370019A	
10174VB	TRSCM	203005!	10207LPD	JN-MN	471870!	102361	CLARK	473464	1026+2114	STEM	370019A	
10174VB	TRSCM	205005	10207LUP	JN-MN	471870!	102365	C-R	260X300X20	1026+2131	STEM	370019A	
10174VHY	TRSCM	204005	10207P	IH	471570!	1023682	CANAD	471272!	1026+320-2025	STEM	370019A	
10176T2	WHITE	240735	102087	CLARK	415458!	1023682	HK-SY	471272!	1026+320-2114	STEM	370019A	
10177	C-R	26X37X7	10208LUP	JN-MN	415449!	1023684	CANAD	470898	1026+320-2131	STEM	370019A	
101773TA	TRSCM	471689	102092	GRAM	474276!	1023780	DURA	471554!	102602	HYST	455471	
101779	HU-WR	471692!	1021	FMS	1021V	1023781	DURA	473214!	102607A	HARWA	10X26X7	
10178	C-R	471516	1021	TIMKE	1021	1023782	DURA	450039	102607XX	TIMKE	10X26X7	
1017B	GOODM	471795	1021	TIMKE	3087	1023783	DURA	471231!	10261	SPG	473466	
1018+2016	STEM	417506	1021+2021	STEM	370027A	1023786	DURA	471267!	102610	CLARK	410308!	
1018+2029	STEM	370008A	1021+2092	STEM	370027A	1023787	DURA	470712!	102627	GMC	473466	
1018+2104	STEM	417506	1021+320-2021	STEM	370027A	1023869	CANAD	472636!	10265	SPG	473235!	
1018+320-2016	STEM	417506	1021+320-2092	STEM	370027A	1023914	CANAD	472016!	10267LPD	JN-MN	415294!	
1018+320-2029	STEM	370008A	10210	C-R	26X46X8	1023914	HK-SY	472016!	10267LUP	JN-MN	415294!	
1018+320-2104	STEM	417506	102101	GRAM	410308!	1023915	CANAD	472164!	102683	AM WH	472185!	
10180	C-R	6855N=	102119	CLARK	415697!	1023915	HK-SY	472164!	1026A3	WHITE	472157	
1018066M1	MASSE	471529	102119	CLARK	455547	1023916	CANAD	471138!	1026X1	PEERC	252277	
10181	C-R	26X40X7!	102122	MICH	417570	10240	C-R	26X50X8	102705	CLARK	473238	
10181	C-R	710316	10213013C	HARWA	102X130X13	10240	FUNK	416888	10272LPD	JN-MN	455328 *	
1018103	DURA	471224!	102157	CLARK	455556	102407A	HARWA	10X24X7	10272LUP	JN-MN	455328	
101823	CINMI	472179	102168	UNIVE	470606!	102407XX	TIMKE	10X24X7	1027514	WHITE	HU009A	
10183	SPG	472179	1021688	CANAD	473204	102408A	OLIVE	416738!	1027520	WHITE	HU149A	
10183LPD	JN-MN	450593!	1021721	CANAD	471854!	1024094	CANAD	417254	102766	US-EL	472951	
10183LUP	JN-MN	450593!	1021743	CANAD	J1109	1024116	CANAD	417134	102766	US-EL	474252	
10184LPD	JN-MN	472029	102175	MICH	471705!	1024125	CANAD	416380!	102767	US-EL	474255	
10184LUP	JN-MN	472029	102175	UNIVE	471705!	1024126	CANAD	J1131	102768	US-EL	473214!	
101868	MC-CL	350364	102178	MC-CL	240119	10241275	UNIVE	55228 =	102769	US-EL	471764!	
101872TB	TRSCM	471733	10218	C-R	222650	102430	MC-CL	471766!	10276A	C-R	412871!	
10188	C-R	26X42X7!	10218	C-R	26X47X7!	1024301	MC-CL	471766!	102776	US-EL	472951	
10188	C-R	710399	102182	UNIVE	473419	10243247	GMC	9845	102776	US-EL	474252	
1018B	GOODM	450165	102183	MICH	473419	1024387	DURA	473446	10278A	C-R	473367	
1018B	GOODM	471801!	102187	MICH	471735	1024388	DURA	471105!	10278A	C-R	473367!	
1018D	GOODM	450165	102187	UNIVE	471735	10243965	GMC	9845	1028	SPG	472299	
1018D	GOODM	471801!	102188	C-R	415124	10243TB	TRSCM	471516!	1028	TIMKE	41257!	
1019	TIMKE	471271!	10219	SPG	471649!	10243TC	TRSCM	471516	1028+2009	STEM	370057A	
101907XX	TIMKE	10X19X7	102190	C-R	455476	102443	CEMAC	473215!	1028+2028	STEM	370007A	
10190LPD	JN-MN	476510 =	102198	MICH	450342	1024645	DURA	471733	1028+2041	STEM	370057A	
10190LUP	JN-MN	476510 =	102198	UNIVE	450342*	1024652	DURA	471652	1028+320-2009	STEM	370019A	
10191	C-R	26X42X10!	1021V	TIMKE	1021V	1024683	DURA	471297N =	1028+320-2028	STEM	370007A	
10191640	GMC	3945	1022	SPG	471787!	1024861	CANAD	J1103	1028+320-2041	STEM	370057A	
1019229M1	MASSE	470954!	1022	TIMKE	6960	10249LPD	JN-MN	417351!	10283TB	TRSCM	472953	
101926	CLARK	40627S =	10220	C-R	26X47X7	10249LUP	JN-MN	417351!	10285LPD	JN-MN	415036 *	
101928	CLARK	473232!	102200	MICH	471762!	1025	TIMKE	8121S	10285LUP	JN-MN	415036	
101929	CLARK	470530!	102200	UNIVE	471762!	1025+2137	STEM	370107A	1028872	FMC	476470	

! Industrial Size/Type * Minor Width Difference \$F-M Number Is Part Of A Kit = Call 1-800-480-1212 for price and delivery.

Zero Duplication or Recommended		Zero Duplication or Recommended		Zero Duplication or Recommended		Zero Duplication or Recommended		
Mfr. No.	Name	Mfr. No.	Name	Mfr. No.	Name	Mfr. No.	Name	
10289LPD	JN-MN	471341!	103223 CLARK	417210!	10364LPD JN-MN	416664!	1040 YARD	471570!
10289LUP	JN-MN	471341!	10324 C-R	50209*	10364LUP JN-MN	416664!	104037 FR-HT	471787
1028A2	WHITE	470530!	10324 US-EL	472636!	10365 C-R	471705!	10403LPD JN-MN	471231!
1029	TIMKE	6840S	10325 GWI	415088	10365 SPG	470898	10404 CR-CF	471191
10293	CASE	473467	10325 GWI	415088!	103650 CLARK	472924!	104046 CLARK	240319
102936H1	HOUGH	470530!	103254A OLIVE	471192	10365A NOK	5126	104046X03 TROS	7929S
102936H1	IH	470530!	103254A WHITE	471192	10368 BR-WN	410102	10404802 TROS	240816
102940	MC-CL	481073	10327 C-R	50209	10368 C-R	471689	10404LPD JN-MN	473214
1029402	MC-CL	481073	10329LUP JN-MN	476272=	103681 CLARK	40101S	10404LUP JN-MN	473214
10294B1	DIA	417267	1033 SPG	330385!	103682A OLIVE	472492=	10405LPD JN-MN	474274
102963	HOUGH	470530!	10330 C-R	471224!*	1036836M1 MASSE	350936	10405LUP JN-MN	474274
102976	HOUGH	472185!	10332LPD JN-MN	55199=	103686 CLARK	456105	1040600 ROCKW	4564V
102976H1	HOUGH	472185!	10332LUP JN-MN	55199=	1036RC SUL	473460	104062 CLARK	450472!
102979	MC-CL	471267!	103330R1 IH	470059	1037 TIMKE	1037	10406LPD JN-MN	471763
102999	CUMMI	473211!	103330R1 IH	470380!	1037 TIMKE	1192	10406LUP JN-MN	471763
102VB7	MARI	471760	103331R91 IH	473238	1037+2033 STEM	370048A	104078 FR-HT	204017
102X130X13	SIMRT	102X130X13	10333LUP JN-MN	416657	1037+2040 STEM	370037A	1041 TIMKE	1041
102X130X13SC	TRSCM	102X130X13	103341 HU-WR	415449!	1037+2118 STEM	370037A	1041 TIMKE	413248
102X130X13TC	TRSCM	102X130X13	10334LPD JN-MN	416891!*	1037+2118 STEM	370338A	10410 BU-SP	471570!
103	DEXTR	441319	10334LUP JN-MN	416891!	1037+2137 STEM	370048A	104125 MICH	415227!
103	UNIVE	471765!	10336LPD JN-MN	17X40X7*	1037+320-2033 STEM	370048A	104156 CLARK	455019!
103-C6002	EIMCO	476838!	10336LUP JN-MN	471579	1037+320-2033 STEM	380048A	104156 MICH	350156
103-W2	REO	HU034A	1033812 C-R	417022	1037+320-2040 STEM	370037A	104156 MICH	473096
1030	SPG	471571	10339 C-R	481650*	1037+320-2040 STEM	370338A	10416 FULLE	415991
1030	TIMKE	1196	1034+2034 STEM	370012A	1037+320-2137 STEM	370048A	10416 FULLE	415991!
103006	COOK	415991	10342 C-R	481650*	1037+320-2137 STEM	380048A	10416 MWKEL	470954
103006	COOK	455146!	1034398 DURA	472311!	10371LPD JN-MN	417603!	104175 UNIVE	471692!
103015	COOK	415196!	10345 C-R	481650	10371LUP JN-MN	417603!	104181R91 IH	50199S!
10301LPD	JN-MN	411253!	1034557 DURA	254287	10372 C-R	473419!	104181R91 IH	6863S!
10301LUP	JN-MN	411253!	1034557 MOTO	254287	10372 C-R	473419	104182 UNIVE	476838!
103027	COOK	417343!	10345LPD JN-MN	410496!	103730A OLIVE	456105	104183 MICH	476838!
10302LPD	JN-MN	417361	10345LUP JN-MN	410496!	103730A WHITE	456105	104187 MICH	470712!
10302LUP	JN-MN	417361	10346 C-R	471651	103734 KELSE	471192	104187 UNIVE	470712!
103034	COOK	415991	103465 CLARK	417171!	1037464M1 MASSE	200861	10418LPD JN-MN	472636!
103034	COOK	455146!	103474 FR-HT	417343!	103781 CLARK	40268=	10418LUP JN-MN	472636!
10303LPD	JN-MN	416666	10347LPD JN-MN	455123	10379LPD JN-MN	416239!*	104198 MICH	471747!
10303LUP	JN-MN	416666	10347LUP JN-MN	455123	10379LUP JN-MN	416239!	104198 UNIVE	471747!
103047	FR-HT	472572!	1035 TIMKE	3395!	1038 TIMKE	1038	1042 TIMKE	292594
10304LPD	JN-MN	415960	1035055 BENDI	330385	1038 TIMKE	9762S	104200 MICH	471763
10304LUP	JN-MN	415960	103516A OLIVE	473459	103802 HU-WR	471765!	104200 UNIVE	471763
10305LPD	JN-MN	418028	103516A WHITE	473459	103805 HU-WR	415442!	104206 MICH	471785!
10305LPD	JN-MN	455137!	10352 SPG	472164!	103805 HU-WR	55442	104206 UNIVE	471785!
10305LUP	JN-MN	418028	103569 CLARK	353141!	10380LPD JN-MN	472185!	1042535 CANAD	40097S
10305LUP	JN-MN	455137!	10357 C-R	470606!	10380LUP JN-MN	472185!	1042599 FMC	472924!
10306	WITTE	471750!	10358SA SPG	473231!	10381 MWKEL	471224	10426LPD JN-MN	471354!
103062	ONAN	330385	1035972 DURA	471255!	10381LPD JN-MN	455330!	10426LUP JN-MN	471354!
10306LPD	JN-MN	417196!*	1035972A DURA	471255!	10381LUP JN-MN	455330!	10427 BR-WN	416364!
10306LUP	JN-MN	417196!	1035972A MOTO	471255!	10382LPD JN-MN	415142	1042804 FMC	240414
103079	CUMMI	473232!	1035978 DURA	471643!	10382LUP JN-MN	415142	104288 CLARK	473016!
103080	CUMMI	473010!	1035978A DURA	471643!	10384 BR-WN	472015!	1043 TIMKE	8705S
103081	CUMMI	472409	1035978A MOTO	471643!	10384LPD JN-MN	415036	1043+2021 STEM	370086A
103082	CUMMI	471571	1036+2011 STEM	370002A	10384LUP JN-MN	415036	1043+320-2034 STEM	370012A
103084	MC-CL	471267!	1036+2031 STEM	370002A	103861 CLARK	40101S	1043+320-2041 STEM	370015A
10308S	SPG	410308!	1036+2032 STEM	370002A	103862-1 CROWN	JV1371	1043+320-2041 STEM	370192A
1031	TIMKE	6815	1036+2036 STEM	370001A	10389 FULLE	450400	10432LPD JN-MN	471272!
103115	GRAM	472179	1036+2046 STEM	370002A	103894 AIRCO	470530!	10432LUP JN-MN	471272!
10311LPD	JN-MN	455330!*	1036+2119 STEM	370179A!	1039 NATL	226020	10433 BR-WN	J1138
10311LUP	JN-MN	455330!	1036+2133 STEM	370132A	1039 NATL	60X80X8!	104365 EATON	415458
103136R	US-EL	340817	1036+320-2011 STEM	370002A	1039 TIMKE	8705S	104368 EATON	416654!*
10316SA	SPG	472636!	1036+320-2013 STEM	370036A	103935 CLARK	415025	104372 MC-CL	470380!
103182	UNIVE	450044	1036+320-2013 STEM	370349A	103939 GMC	417555!	104381 KELSE	6906S
103183	MICH	450044	1036+320-2013 STEM	380036A	103964 CLARK	40566S	104396 GMC	471554!
103185	CLARK	417181!	1036+320-2031 STEM	370002A	103993 KELSE	3942	1043RC SUL	471821!
103194	C-R	55532=	1036+320-2032 STEM	370002A	10399301 KELSE	3942	1044 TIMKE	4250
1032	TIMKE	3195	1036+320-2036 STEM	370001A	103D6 WHITE	5751	10441S SPG	471341!
10320	C-R	50209*	1036+320-2036 STEM	380001A	103E27 EIMCO	417344!	104432 HOUGH	470059
10320	US-EL	451583!	1036+320-2046 STEM	370002A	103VB7 MARI	471766!	104432 HOUGH	470380!
103200	MICH	450159	1036+320-2119 STEM	370179A!	104 BL-KN	55193=	104436 HOUGH	472179
103200	UNIVE	450159	1036+320-2133 STEM	370132A	104 DEXTR	442251	104437 HOUGH	473238
10321	C-R	50209	103604 AIRCO	415295	104 UNIVE	471766!	10443LPD JN-MN	417258
10321	US-EL	450400	10364 C-R	471705!	104-W2 REO	HU066A	10443LUP JN-MN	471258
10322	SPG	412040	103641 CLARK	471264!	1040 TIMKE	1198	10447 BR-WN	415146!

! Industrial Size/Type * Minor Width Difference = Call 1-800-480-1212 for price and delivery.

NUMERICAL

Zero Duplication or Recommended		Zero Duplication or Recommended		Zero Duplication or Recommended		Zero Duplication or Recommended					
Mfr. No.	Name Industrial	Mfr. No.	Name Industrial	Mfr. No.	Name Industrial	Mfr. No.	Name Industrial				
10447	BR-WN	415991	105051	C-R	7973S*	105470X1	IH	200766	10616SS	JN-MN	471692!*
104470	CLARK	471344	1050580	C-R	415227!	105471C1	IH	200603	10617SS	JN-MN	40183S!
1045	SPG	473238!	10506	FULLE	451143	105471X1	IH	200603	1061822SL	TRSCM	473419
104511	CLARK	411376!	105065	C-R	7973S	105496	HU-WR	472397!	106182SB	TRSCM	471735
1045273	WHITE	370003A	105067	C-R	7639S	105497	HU-WR	417073	10618SS	JN-MN	40301S
104541	CLARK	411376!	105070	GMC	417602!	1055	TIMKE	5109	106192SB	TRSCM	450342
10454LPD	JN-MN	417507	105086	KELSE	204029	105504	PREST	350364	106198	MICH	473426
10454LPD	JN-MN	417507!	105086	KELSE	204507!	10551	C-R	480210!	106198	UNIVE	473426*
10454LUP	JN-MN	417507	10509	LEMCO	412119!	10551SS	JN-MN	331107N	10619SS	JN-MN	415449!
10454LUP	JN-MN	417507!	105093	C-R	415227!	10552	C-R	480210!	1062	TIMKE	1188
104564	HOUGH	473215!	105094	DENCO	473231!	105523	OLIVE	411253!	1062+2057	STEM	370047A
104564H1	HOUGH	473215!	10509LUP	JN-MN	415076	10553SA	SPG	471224!	1062+320-2057	STEM	370047A
104603	HOUGH	415449!	1051	TIMKE	8835S	1056	TIMKE	2146	106200	MICH	471765!
104603H1	HOUGH	415449!	10513LPD	JN-MN	410737!	105623	HU-WR	471504!	106200	UNIVE	471765!
104603H1	IH	415449!	10513LUP	JN-MN	410737!	10562A	FULLE	412871!	106201	CLARK	415371
104610	US-EL	340413	105142173001	ALFAR	224100	105640117700	ALFAR	228480	106202SB	TRSCM	471762!
104620	HOUGH	472924!	105142173001	ALFAR	40X65X10!	105674H	IH	412920!	106206	MICH	471354!
104620H1	HOUGH	415082	10515	C-R	480210!*	10567SA	SPG	471267!	106206	UNIVE	471354!
104634	SPICE	415001!	10515	C-R	9376	10568	C-R	9376	106212	MICH	473205
10464	IH	471689!	105182	UNIVE	450482	105683A	OLIVE	471529	106212	UNIVE	473205
10464R	IH	471689!	105198	MICH	473428*	10569LPD	JN-MN	474255	106216R91	IH	472311!
10468	MWCEL	6597S	105198	UNIVE	473428*	10569LUP	JN-MN	474255	106218R91	IH	474278
1046816	C-R	417604	105199R91	IH	474278	1057	TIMKE	3348	106219R91	IH	474276!
104690	C-R	455462	1052	TIMKE	473228	10572	C-R	340210	10622	CHAMP	415458!
1047+2051	STEM	370029A	1052+2050	STEM	370145A	105725	OLIVE	472144!	106220R91	IH	450400
1047+320-2051	STEM	370029A	1052+320-2050	STEM	370145A	10575F	IH	473211!	106225	MICH	474255
104705	HOUGH	472179	10520	SPG	471272!	10577	C-R	27X37X7V	106225	UNIVE	474255
104705H	HOUGH	472179	105200	MICH	471764!	105780R91	IH	5957S	106225R91	IH	472560N!
104705H2	IH	472179	105200	UNIVE	471764!	10579	C-R	27X37X7	10623G	OSHKO	416556!
10470LPD	JN-MN	415047	105206	MICH	473427	1058	TIMKE	710067	10623G	OSHKO	472157
10470LUP	JN-MN	415047	105206	UNIVE	473427	10580	C-R	450188	10623SS	JN-MN	40316S
104711	HOUGH	473460	10520F	IH	470088	10581	C-R	450188	106241	HU-WR	417351!
104711H1	HOUGH	472394	10520SA	SPG	471272!	10583	C-R	3732S	10625	C-R	222742
104718	HOUGH	471689!	10524LPD	JN-MN	470950!	10583F	IH	450039	10625	C-R	27X42X10*
104718H1	HOUGH	471689!	10524LPD	JN-MN	6241S	10584	C-R	712009	10625	C-R	27X42X7!
104718H1	IH	471689!	10524LUP	JN-MN	470950!	10584F	IH	471795	10627	C-R	222742
10471LPD	JN-MN	416167!	10524LUP	JN-MN	6241S	1059	TIMKE	2081	106272	CUMMI	473228!
10471LUP	JN-MN	416167!	10525SS	JN-MN	471766	10592	C-R	471651*	106273	CUMMI	451857
10474LPD	JN-MN	450307	10526	C-R	480210!	10597	C-R	471651*	106274	CUMMI	474281!
10474LUP	JN-MN	450307	105267R91	IH	473464	10598	C-R	471651	106275	CUMMI	473367!
104758	CUMMI	471344!	105267R91	IH	473464!	105987R91	IH	473228!	106276	CUMMI	472164!
1048	TIMKE	42101S	10527	C-R	480210!	10598LPD	JN-MN	417551	106277	CUMMI	472185!
1048+2048	STEM	416158	105272R91	IH	472311!	10598LUP	JN-MN	417551	106278	CUMMI	470530!
1048+2110	STEM	416158	105279R91	IH	450400	10599500	JA-HE	471267!	106296	CLARK	470898
1048+320-2048	STEM	386025A	10527LPD	JN-MN	473461!	10599501	JA-HE	471267!	1063+2031	STEM	370002A
1048+320-2048	STEM	416158	10527LUP	JN-MN	473461!	105X125X13SC	TRSCM	105X125X13	1063+2057	STEM	415958
1048+320-2110	STEM	386025A	105281R91	IH	340413	105X125X13TC	TRSCM	105X125X13	1063+320-2031	STEM	370002A
1048+320-2110	STEM	416158	10528LPD	JN-MN	417344!	105X130X12SC	TRSCM	105X130X12	1063+320-2057	STEM	415437
10482LPD	JN-MN	415047*	10528LUP	JN-MN	417344!	105X130X12TC	TRSCM	105X130X12	10630	C-R	27X42X10
10482LUP	JN-MN	415047	1053	TIMKE	8660S	105X140X12SC	TRSCM	105X140X12	10631	C-R	470606!
10485LPD	JN-MN	472258!*	1053+2109	STEM	370036A	105X140X12TC	TRSCM	105X140X12	10632	C-R	470606!
10485LUP	JN-MN	472258!	1053+2109	STEM	370349A	106	UNIVE	471192	10633	C-R	27X47X8*
1049	TIMKE	1049	1053+2109	STEM	380036A	1060	TIMKE	417480!	106339	CUMMI	473016!
104923R91	IH	450400	1053+320-2109	STEM	370036A	10600	FI-CO	474254!	10634	C-R	1990
10494	C-R	710157	1053+320-2109	STEM	370349A	10602	FI-CO	471344	10634	C-R	222743
10496	CASE	240385	1053+320-2109	STEM	380036A	10604	C-R	471651	10635LDS	JN-MN	416664!
10496	IH	413469!	1054	TIMKE	5123	10605	C-R	471651	10636	C-R	470606!
104969	AM WH	473242	10541	SPG	471689!	10608SS	JN-MN	471737=	1064+2072	STEM	370046A
10496F	IH	413469!	105415	OLIVE	417262!	106092	CLARK	415263	1064+2136	STEM	417172
10496S	SPG	410496!	105416	OLIVE	417262!	1061	NATL	224045	1064+320-2072	STEM	370046A
104996	HYST	51032S	105437A	OLIVE	471413	1061	NATL	40X62X12!	10640	C-R	1990
104997	CLARK	415023	105440R91	IH	472636!	1061	TIMKE	6358	10640	C-R	27X43X8!
105	UNIVE	473211!	105441	HU-WR	471689!	1061002	LILIS	410496!	10642	C-R	471705!
105-W2	REO	HU065A	105441R91	IH	7107A=	1061013	LILIS	473227!	1064730	CHRY	470354
1050-14018	STLPD	JN-MN	105442H	IH	473016!	106127	CLARK	472492!	1064856	CHRY	5797
1050-17476	LDS	JN-MN	105442R91	IH	410987!	106127	MICH	55228=	1064857	CHRY	5797
105000117600	ALFAR	223520!	105442R91	IH	450686	106142SB	TRSCM	480210!	1065	SPG	470898
10500LPD	JN-MN	474255	105443R91	IH	417316!	106143	FREIG	471267!	1065	TIMKE	1181
10500LUP	JN-MN	474255	105445R91	IH	415960	10615SS	JN-MN	471224	1065	TIMKE	41X56X7!
105023	C-R	415227!	10545	C-R	480210!*	10616	C-R	471442!	1065079	GMC	225230
105040	C-R	415227!	105466	EATON	415458!	106162SB	TRSCM	471651	1065079	GMC	52X72X8!
105050	C-R	415227!	105470C1	IH	200766	106162SB	TRSCM	481650	10652	C-R	471705!*

! Industrial Size/Type * Minor Width Difference = Call 1-800-480-1212 for price and delivery.

Zero Duplication or Recommended		Zero Duplication or Recommended		Zero Duplication or Recommended		Zero Duplication or Recommended	
Mfr. No.	Name	Industrial	Mfr. No.	Name	Industrial	Mfr. No.	Name
10653	C-R	471705!	10700LUP	JN-MN	455123	10758	C-R
10654S	SPG	473179	10701LPD	JN-MN	416738!	107591	C-R
10658	C-R	471705!	10701LPD	JN-MN	450096	1076	TIMKE
10659	C-R	471705!	10701LUP	JN-MN	416738!	10761LPD	JN-MN
1065K	MINNM	476838!	10701LUP	JN-MN	450096	10761LUP	JN-MN
1066	TIMKE	224045	10707	CHAMP	412871!	107621A	OLIVE
1066	TIMKE	40X62X12!	10708	CHAMP	470898	107621A	WHITE
1066+2061	STEM	370195A	107084	KELSE	JV1166	10763	EATON
1066+320-2061	STEM	370195A	10708S	SPG	410708	10763	EATON
10660S	SPG	471442!	107097	CLARK	450472!	10765	C-R
10663	C-R	222745	107099H	IH	472572!	10766	C-R
10665	C-R	222745	1070T-2	WHITE	471224!	1077	TIMKE
10665	C-R	27X45X8!	107105H1	IH	471554!	1077+320-2096	STEM
10666	C-R	222745	107105S	HOUGH	471554!	107720	CLARK
106661	HU-WR	416297	107162A	OLIVE	471138!	107720	CLARK
106691	HOUGH	471192	107162A	WHITE	471138!	107732R1	IH
106691H1	HOUGH	471192	1071824	C-R	415128	107732R91	IH
106691H1	IH	471192	10719	BR-WN	J1112	10773LPD	JN-MN
106692	GR-DV	455079!	107198	CLARK	471316	10773LPD	JN-MN
1067	F-R-H	470059	107198	UNIVE	450048*	107744A	WHITE
1067	F-R-H	470380!	1072	TIMKE	223014	107745A	WHITE
1067	TIMKE	224270	107200	MICH	450173	107754A	OLIVE
1067	TIMKE	42X72X10!	107200	UNIVE	450173	107754A	OLIVE
1067+2060	STEM	370069A	107202	CLARK	471556	107765A	WHITE
1067+2097	STEM	370069A	107216	CUMMI	470059	107766A	WHITE
1067+320-2060	STEM	370069A	107216	CUMMI	470380!	1078	ALLCH
1067+320-2060	STEM	380069A	107220	CLARK	415327	1078	NATL
1067+320-2097	STEM	370069A	107224	US-EL	471647	1078	NATL
1067+320-2097	STEM	380069A	10724	US-EL	471647	1078	TIMKE
10670	CASE	412119!	107249	CLARK	418028	1078	TRAC
106706	CLARK	470565!	10726	C-R	27X48X8	10784	EATON
10672	CASE	327303!	1072YX	IH	450143	10784	EATON
106720	HOUGH	470954!	1073	TIMKE	222510	10784	FULLE
106726	FUNK	415138!	1073	TIMKE	25X35X7!	10784	FULLE
106737R91	IH	474278	10733	C-R	450342*	107885	HOUGH
106738R91	IH	323138!	107358	CLARK	370166A*	1079	TIMKE
106739R91	IH	474276!	107359C1	IH	5723	1079+2008	STEM
1068	SPG	2551	10736	C-R	450342	1079+2009	STEM
1068	TIMKE	5124	10737	C-R	450342	1079+2021	STEM
10680	C-R	471705!	10737ST	JN-MN	416891!	1079+2024	STEM
10680401	KELSE	4122	107386	HU-WR	415995!	1079+320-2008	STEM
10680401	KELSE	470547	107391	CLARK	416125!	1079+320-2021	STEM
106806	HU-WR	417198	1074	SPG	472164!	1079+320-2021	STEM
10682	C-R	473419!	1074+2073	STEM	370191A	1079+320-2024	STEM
10682LPD	JN-MN	471765!	10740	C-R	471762*	107904	CLARK
10682LUP	JN-MN	471765!	10740	C-R	471762	107904	CLARK
10684S	NATL	471827	10743	C-R	471762!	10795	SPG
10685	C-R	27X47X10	107494	KELSE	473463	107972	CLARK
106852	EATON	472409!	10749LPD	JN-MN	471649!	107974	AM WH
10687	FI-CO	471765!	10749LUP	JN-MN	471649!	10797LPD	JN-MN
10689	C-R	27X47X10	1074LPD	JN-MN	450307*	10797LUP	JN-MN
106919	CLARK	415991	1074LUP	JN-MN	450307	108	UNIVE
106919	CLARK	455146!	1075	TIMKE	473677	108-W2	REO
10692	C-R	473419	1075-16530LDS	JN-MN	416383	1080	C-R
10692	C-R	473419!	10751LPD	JN-MN	471224!	1080	GR-DV
106949R91	IH	417316!	10751LUP	JN-MN	471224!	1080	TIMKE
106955	HOUGH	471766!	10753LPD	JN-MN	470774!	10803006	TROS
106955H1	HOUGH	471766!	10753LUP	JN-MN	470774!	10803204	TROS
106973	CLARK	6886S	107551	C-R	55228=	10803205	TROS
10698	JN-MN	55103S	107552A	OLIVE	472492!	10803404	TROS
10698LPD	JN-MN	55103S	107552A	WHITE	472492!	10803406	TROS
10699	C-R	471735	10755K	CASE	471413	108035	CLARK
106W212	CONE	5168	10755LPD	JN-MN	472492!	10803606	TROS
107	C-R	5419	10755LUP	JN-MN	472492!	10803806	TROS
107	C-R	BS5048	10756	C-R	471762	10804004	TROS
107	DEXTR	415137!	10756	C-R	471762!	10804005	TROS
107	DEXTR	418028	10756LPD	JN-MN	473467	10804006	TROS
107	UNIVE	473226	10756LUP	JN-MN	473467	10804205	TROS
107-W2	REO	HU036A	10757	CHAMP	471466!	10804406	TROS
10700	C-R	471735	10757LPD	JN-MN	472397!	10804803	TROS
10700LPD	JN-MN	455123*	10757LUP	JN-MN	472397!	108054	IH
108054R91	IH	471413	10758	C-R	27X52X8	108054R91	IH
10805602	TROS	240733	107591	C-R	416383	10805602	TROS
108092R91	IH	450084!	1076	TIMKE	9569S	108092R91	IH
1081	TIMKE	2669	10761LPD	JN-MN	417316!	1081	TIMKE
10811	SEALR	470590	10761LUP	JN-MN	417316!	10811	SEALR
10812	SEALR	451583!	107621A	OLIVE	417344!	10812	SEALR
10814	SEALR	471649!	107621A	WHITE	417344!	10814	SEALR
108144	AM WH	471649!	10763	EATON	473464	108144	AM WH
10814S	SPG	471344	10763	EATON	473464	10814S	SPG
10815P	IH	470086	10765	C-R	473420	10815P	IH
10816	C-R	417604*	10766	C-R	473420*	10816	C-R
10816	GR-DV	417604	1077	TIMKE	9363S	10816	GR-DV
10816	SEALR	471733	1077+320-2096	STEM	416865	10816	SEALR
10817	SEALR	476838!	107720	CLARK	415035!	10817	SEALR
10818	SEALR	470712!	107720	CLARK	415035	10818	SEALR
108198	MICH	471750!	107732R1	IH	474276!	108198	MICH
108198	UNIVE	471750!	107732R91	IH	474276!	108198	UNIVE
1082	TIMKE	9568	10773LPD	JN-MN	55309=	1082	TIMKE
10820	C-R	417567	10773LPD	JN-MN	55309=	10820	C-R
10820	GR-DV	417567	107744A	WHITE	415960	10820	GR-DV
10820	SEALR	471763	107745A	WHITE	472572!	10820	SEALR
108200	MICH	471766!	107754A	OLIVE	450165	108200	MICH
108200	UNIVE	471766!	107754A	OLIVE	471801!	108200	UNIVE
108206	MICH	471787!	107765A	WHITE	473237=	108206	MICH
108206	UNIVE	471787!	107766A	WHITE	41206S=	108206	UNIVE
108210	UNIVE	450177*	1078	ALLCH	417349	108210	UNIVE
108211	MICH	450177	1078	NATL	224040	108211	MICH
108212	MICH	471795	1078	NATL	40X60X10!	108212	MICH
108212	UNIVE	471795	1078	TIMKE	3214	108212	UNIVE
108225	MICH	450165	1078	TRAC	417349	108225	MICH
108225	MICH	471801!	10784	EATON	100495	108225	MICH
108225	UNIVE	450165	10784	EATON	417349	108225	UNIVE
108225	UNIVE	471801!	10784	FULLE	100495	108225	UNIVE
10824	C-R	415128*	10784	FULLE	417349	10824	C-R
108244	MICH	471818	107885	HOUGH	417316!	108244	MICH
10826	SEALR	471766!	1079	TIMKE	9161	10826	SEALR
10827	SEALR	473211!	1079+2008	STEM	370005A	10827	SEALR
108294	EATON	473235!	1079+2009	STEM	370173A	108294	EATON
108294H	IH	473235!	1079+2021	STEM	370003A	108294H	IH
1082B	MASSE	410987=	1079+2024	STEM	370006A	1082B	MASSE
1083	TIMKE	710067	1079+320-2008	STEM	370005A	1083	TIMKE
10830	TMTR	471192	1079+320-2021	STEM	370003A	10830	TMTR
108309	CLARK	416149	1079+320-2021	STEM	380003A	108309	CLARK
10831	SEALR	480630!	1079+320-2024	STEM	370006A	10831	SEALR
108313	CLARK	415263	107904	CLARK	415035	108313	CLARK
108339	CLARK	416149	107904	CLARK	415035!	108339	CLARK
10833SS	JN-MN	471413	10795	SPG	471829	10833SS	JN-MN
10834	SEALR	470059	107972	CLARK	415379	10834	SEALR
10834	SEALR	470380!	107972	CLARK	415379!	10834	SEALR
10837	CLARK	470565!	107974	AM WH	471472!	10837	CLARK
108373	CLARK	6886S	10797LPD	JN-MN	470605!*	108373	CLARK
108374	CLARK	470565!	10797LUP	JN-MN	470605!	108374	CLARK
1084	C-R	455123	108	UNIVE	473228	1084	C-R
1084	SEALR	471554!	108-W2	REO	HU110A	1084	SEALR
10840	SEALR	472572!	1080	C-R	417602!*	10840	SEALR
10841	SEALR	472397!	1080	GR-DV	417602!	10841	SEALR
10841LPD	JN-MN	455375=	1080	TIMKE	3199	10841LPD	JN-MN
10841LUP	JN-MN	455375=	10803006	TROS	470004!	10841LUP	JN-MN
108463	HU-WR	6590S	10803204	TROS	471526!	108463	HU-WR
10846SS	JN-MN	415379	10803205	TROS	471526!	10846SS	JN-MN
10847	SEALR	417316!	10803404	TROS	481534	10847	SEALR
1085	TIMKE	1953	10803406				

Zero Duplication or Recommended		Zero Duplication or Recommended		Zero Duplication or Recommended		Zero Duplication or Recommended					
Mfr. No.	Name	Mfr. No.	Name	Mfr. No.	Name	Mfr. No.	Name				
10859LPD	JN-MN	455031!	10921767	GMC	417343!	10944	C-R	222830	10A12051	WHITE	472492=
10859LUP	JN-MN	416339	10922	C-R	28X42X8!	10945	BU-SP	412119!	10A1297	FED	474276!
10859LUP	JN-MN	455031!	10922	C-R	712008	10945	C-R	28X45X8	10A14257	MINNM	417344!
1086	TIMKE	473367	10922155	WHITE	472157	109451X	GRAM	450398	10A14257	WHITE	417344=
1086058M1	MASSE	470625!	109224	HYST	471744!	109451X	GRAM	471267!	10A14262	MINNM	417349
10860LPD	JN-MN	472012	10923	C-R	710325	10946	C-R	28X45X7V	10A1442	FED	450400
10860LUP	JN-MN	472012	10924	C-R	28X38X7!	109468601	GMC	473241=	10A14894	MINNM	415379
108653	CLARK	415351!	10925	C-R	450040	10947	C-R	222820	10A14894	MINNM	415379!
1086758M1	MASSE	471649!	10926	C-R	450044	10948LPD	JN-MN	417493*	10A15506	MINNM	417350!
108679	CLARK	416039	10927	C-R	710119	10948LUP	JN-MN	417493	10A15507	MINNM	415995!
108696	SIMPL	342805	10929	C-R	28X40X7V	10949LPD	JN-MN	473462	10A15791	MINNM	55309=
10869LPD	JN-MN	417480!	1093	TIMKE	225230	10949LUP	JN-MN	473462	10A16	AAMCO	473179
10869LUP	JN-MN	417480!	1093	TIMKE	52X72X8!	1095	TIMKE	1180	10A16329	MINNM	470954!
1087	TIMKE	3794	1093+2002	STEM	416892	1095	TIMKE	41X55X7!	10A16329	WHITE	470954!
108705	CLARK	415072	1093+2005	STEM	370021A	10950LPD	JN-MN	415187	10A16450	MINNM	471870!
108735C1	IH	472164!	1093+2043	STEM	370124A	10950LUP	JN-MN	415187	10A16J	AAMCO	7018N=
10875104	NAPCO	412871!	1093+2058	STEM	416888	10952LPD	JN-MN	471689!	10A17321	MINNM	415995!
108773	AM WH	417247!	1093+2113	STEM	370021A	10952LUP	JN-MN	471689!	10A17321	WHITE	415995!
10877SS	JN-MN	474278!	1093+2129	STEM	416892	10957	C-R	222860	10A17322	MINNM	417350!
1088	ALLCH	473461!	1093+2165	STEM	370131A	10958	C-R	222860	10A17357	MINNM	415991
1088	B-L-H	415124	1093+2181	STEM	370124A	10958	C-R	28X47X7!	10A17357	MINNM	455146!
1088	C-R	415124	1093+2184	STEM	370131A	109580	FORD	417343!	10A17817	MINNM	415379
1088	TIMKE	1214	1093+2199	STEM	370131A	10959	C-R	28X47X7	10A17817	WHITE	415379
1088	TIMKE	1214N	1093+320-2002	STEM	416892	109595	CANAD	471138!	10A18170	MINNM	416380!
1088	TRAC	473461!	1093+320-2005	STEM	370021A	10959LPD	JN-MN	415254	10A18170	WHITE	416380!
1088+2095	STEM	415058	1093+320-2043	STEM	370124A	10959LUP	JN-MN	415254	10A18176	MINNM	476470!
1088+2132	STEM	415058	1093+320-2058	STEM	416888	1096	TIMKE	1955	10A18176	MINNM	476470
1088+320-2095	STEM	415058	1093+320-2113	STEM	370021A	1096	TIMKE	52X65X9!	10A18176	WHITE	476470
1088+320-2132	STEM	415058	1093+320-2129	STEM	416892	10960	C-R	450159*	10A18678	MINNM	473228
108806H1	HOUGH	476470	1093+320-2165	STEM	370131A	10960LPD	JN-MN	455015*	10A18811	MINNM	471835!
108811C1	IH	5723	1093+320-2165	STEM	380131A	10960LUP	JN-MN	455015	10A18897	MINNM	471466!
1088312M1	MASSE	7700S!	1093+320-2181	STEM	370124A	10961	C-R	28X47X7	10A18897	WHITE	471466!
1088602	CHRYSL	470354	1093+320-2184	STEM	370131A	109610	C-R	417605	10A19446	MINNM	50462
10887434	CHRYSL	470898	1093+320-2184	STEM	380131A	10963	BU-SP	415137!	10A19446	WHITE	50462
1089	TIMKE	473234!	1093+320-2199	STEM	370131A	10963	BU-SP	418028	10A19477	MINNM	470954
1089+2099	STEM	370120A	1093+320-2199	STEM	380131A	10963LPD	JN-MN	417491*	10A19477	WHITE	470954
10891	BU-SP	470625!	10930	C-R	222820	10963LUP	JN-MN	417491	10A19482	MINNM	471507N=
10892	BU-SP	456105	10930	C-R	28X40X7!	10964	BU-SP	472636!	10A19720	MINNM	416664!
10893	BU-SP	471267!	1093006M1	MASSE	415072	10965	C-R	28X48X8	10A19720	WHITE	416664!
10898	EATON	473238	10931	C-R	712008	109659	CLARK	450073	10A20107	MINNM	416404!
108A03604	TROS	471281!	109314	HOUGH	415001!	10966	C-R	28X48X8!*	10A20107	WHITE	416404!
109	UNIVE	470682	109314H1	HOUGH	415001!	10969	BU-SP	415196!	10A20316	MINNM	472258
109-W2	REO	HU009A	109315	HOUGH	416654	109690	C-R	415090	10A20794	MINNM	486332N=
1090	TIMKE	472164!	10932	C-R	222820	1097	FMS	1097N	10A20794	WHITE	486332N*=
109000	HYST	474276!	109322	HOUGH	415138!	1097	TIMKE	1097	10A20796	MINNM	416332!
109027	CANAD	8907	109322H1	HOUGH	415138!	1097	TIMKE	1960	10A20796	WHITE	416332!
10904LPD	JN-MN	471553!	109322H1	IH	415138!	10970	C-R	450159	10A20859	MINNM	473231!
10904LUP	JN-MN	471553!	10933	FITZ	5095	10972	CASE	473467!	10A20859	WHITE	473231!
1090672	CHRYSL	415960	10934	C-R	712008	10973	C-R	28X52X7	10A20R	AAMCO	7442H
109070	CLARK	416921!	109341	CUMMI	324112	10974	C-R	28X52X7V	10A2111	MINNM	473237!
109099	FORD	6336S	10935	C-R	28X42X8!	10975	C-R	28X52X7	10A2112	MINNM	417158!
109099	OLIVE	6336S	109352	GOODM	417481	10977	C-R	28X52X7V	10A2112	WHITE	417158!
1091	TIMKE	1187	109352	JEFF	417481	1097N	TIMKE	1097N	10A2113	MINNM	416921!
1091	TIMKE	47X68X10!	109353	GOODM	413478	1098	SPG	471224!	10A2113	WHITE	416921=
1091+2102	STEM	370023A	109356	US-EL	473010!	10982LPD	JN-MN	411253!	10A21423	MINNM	415991!
1091+2102	STEM	417505	10936	C-R	710216	10982LUP	JN-MN	411253!	10A21423	MINNM	415991
1091+320-2102	STEM	370023A	10937	C-R	222835	10983	C-R	710433	10A21423	WHITE	415991!
1091+320-2102	STEM	380023A	10937	C-R	28X44X6!	109831	US-EL	416339	10A21423	WHITE	415991
1091+320-2102	STEM	417505	10938	C-R	222835	1099296	GMC	5068	10A21466	MINNM	472157=
10910LPD	JN-MN	415483!	10939	C-R	222820	109935FR91	IH	473473	10A21466	WHITE	472157=
10910LUP	JN-MN	415483!	1094	TIMKE	1955	109936R91	IH	412871!	10A21691	MINNM	473016!
109110R91	IH	471413	1094	TIMKE	52X65X9!	1099399	GMC	5068	10A21691	WHITE	473016!
109119R91	IH	471413!	1094+2106	STEM	370003A	109939R91	IH	471570!	10A22007	MINNM	476332N=
10911LPD	JN-MN	413470!	1094+2115	STEM	370005A	109968	CLARK	415263=	10A22007	WHITE	476332N=
109198	MICH	470050	1094+320-2106	STEM	370003A	109969	CLARK	472492=	10A22092	MINNM	471272!
109198	UNIVE	470050*	1094+320-2106	STEM	380003A	10A10111	MINNM	6703S	10A22092	WHITE	471272!
109200	MICH	473424!	1094+320-2115	STEM	370005A	10A10517	MINNM	471442!	10A22308	MINNM	470954!
109200	UNIVE	473424!	10942	C-R	27X42X10!	10A10894	MINNM	450474	10A22308	WHITE	470954!
109206	MICH	450124=	10942	C-R	712008*	10A10L	AAMCO	471193	10A22515	MINNM	473225!
109206	UNIVE	450124=	109427	HU-WR	55501=	10A11608	MINNM	472234	10A22515	WHITE	473225
1092097M1	MASSE	472439	109428	HU-WR	55193=	10A11658	MINNM	417350!	10A23926	MINNM	472012
10921	C-R	712008	10943	C-R	28X45X8	10A12051	MINNM	472492=	10A23927	WHITE	472012

! Industrial Size/Type * Minor Width Difference = Call 1-800-480-1212 for price and delivery.

Zero Duplication or Recommended		Zero Duplication or Recommended		Zero Duplication or Recommended		Zero Duplication or Recommended	
Mfr. No.	Name	Mfr. No.	Name	Mfr. No.	Name	Mfr. No.	Name
10A23R	AAMCO	10P2091	MINNM	110-056	DISOG	110245	C-R
10A2411	MINNM	10P2097	MINNM	110-058	DISOG	1103+2001	STEM
10A2411	WHITE	10P219	MINNM	110-060	DISOG	1103+320-1001	STEM
10A2490	MINNM	10P222	MINNM	110-067	DISOG	1103+320-2001	STEM
10A24D	AAMCO	10P2276	MINNM	110-082	DISOG	110303	CLARK
10A25D	AAMCO	10P228	MINNM	110-D6-9	REO	110337	GRAM
10A26	AAMCO	10P2417	MINNM	110-W2	REO	110337	WILYS
10A26114	MINNM	10P2486	MINNM	1100	UNIVE	110350	US-EL
10A26114	WHITE	10P2638	MINNM	1100-7180LUP	JN-MN	11035LPD	JN-MN
10A2638	WHITE	10P2930	WHITE	1100-D6-15	REO	11035LUP	JN-MN
10A26D	AAMCO	10P3487	MINNM	1100-D6-15	REO	11039A	C-R
10A2730	MINNM	10P3604	WHITE	1100-D6-24	REO	11039A	C-R
10A2731	MINNM	10P362	MINNM	1100007968	BUSHH	11039LPD	JN-MN
10A28E	AAMCO	10S72	TLSMI	110005	SPG	11039LUP	JN-MN
10A29294	WHITE	10UK01094	WHITE	11001300	UNIVE	11040	DGASK
10A2G	AAMCO	10WA-01094	WHITE	110021R91	IH	110401	DGASK
10A30A	AAMCO	10X10950	MINNM	110021R91	IH	11040A	C-R
10A31033	WHITE	10X15186	MINNM	110027	GRAM	11040A	C-R
10A3161	FED	10X19X7SC	TRSCM	110028	GRAM	11040LPD	JN-MN
10A3196	FED	10X19X7C	TRSCM	110028	GRAM	11040LUP	JN-MN
10A31Q	AAMCO	10X22X7	FORSH	110029	DISOG	110432	HOUGH
10A33A	AAMCO	10X22X7	SIMRT	11003A	HERCU	110432H1	HOUGH
10A3417	MINNM	10X22X7SC	TRSCM	110040	C-R	110433	AVCO
10A34Q	AAMCO	10X22X7TC	TRSCM	110042	DISOG	110460	CLARK
10A36	AAMCO	10X23028	MINNM	110044LPD	JN-MN	110461	CLARK
10A37P	AAMCO	10X23028	MINNM	110044LUP	JN-MN	11047A	C-R
10A39F	AAMCO	10X24X7	SIMRT	110050	C-R	11048A	C-R
10A3G	AAMCO	10X24X7SC	TRSCM	110051	C-R	11048A	C-R
10A43F	AAMCO	10X24X7TC	TRSCM	1100540	C-R	11049A	C-R
10A44F	AAMCO	10X25X7SC	TRSCM	1100580	C-R	11050	C-R
10A45F	AAMCO	10X25X7TC	TRSCM	110063	DISOG	110516	GMC
10A46F	AAMCO	10X26X7	FORSH	110066	DISOG	110516	GMC
10A4731	MINNM	10X26X7	SIMRT	1100755	FMC	11051A	C-R
10A4T	AAMCO	10X26X7SC	TRSCM	110079	DISOG	11051A	C-R
10A50N	AAMCO	10X26X7TC	TRSCM	110079	GMC	11053	C-R
10A5104	MINNM	10X29504	MINNM	1100971	C-R	11053	CLARK
10A56Y	AAMCO	10X29720	MINNM	1101	TIMKE	11053	CLARK
10A57Y	AAMCO	10X30979	MINNM	1101	TIMKE	11053A	C-R
10A5956	MINNM	10X3114	MINNM	11010	WOODB	110542	CLARK
10A6156	FED	10X31311	MINNM	110120	MICH	11054A	C-R
10A6239	FED	10X31317	MINNM	110128	GRAM	11054A	C-R
10A6268	FED	10X31317	MINNM	110130	MICH	11055	C-R
10A6289	AVCO	10X3144	MINNM	110139	CLARK	11055A	GRAM
10A6289	MINNM	10X33841	MINNM	110139	DISOG	11055LPD	JN-MN
10A6289	WHITE	10X33841	WHITE	110143	DISOG	11055LUP	JN-MN
10A6627	MINNM	10X33923	MINNM	110148	WAUKE	110569	GMC
10A6732	MINNM	10X33924	MINNM	110148	WAUKE	110569	GMC
10A6733	MINNM	10X34138	MINNM	11014LPD	JN-MN	11056A	C-R
10A69B	AAMCO	10X34138	WHITE	11014LUP	JN-MN	11057A	C-R
10A70	AAMCO	10X5487	WHITE	110157	DISOG	11057A	C-R
10A7038	MINNM	10X5525	MINNM	110158	WAUKE	11057A	C-R
10A7073	MINNM	10X6898	MINNM	110158	WAUKE	11060	C-R
10A7103	MINNM	10X706	MINNM	11015LPD	JN-MN	110604	ALLCH
10A7121	MINNM	11	BL-KN	11015LUP	JN-MN	11060LPD	JN-MN
10A7204	FED	11-317932	FAIRB	110171	DISOG	11060LUP	JN-MN
10A73B	AAMCO	11-317934	FAIRB	110171	DISOG	11061	C-R
10A74B	AAMCO	11/2F11512	MURRA	11017LUP	JN-MN	11061A	C-R
10A7541	MINNM	11/2F11564	MURRA	11018LPD	JN-MN	11061A	C-R
10A7611	WHITE	110	UNIVE	11018LUP	JN-MN	11061LPD	JN-MN
10A811	MINNM	110-010	DISOG	1101VB7	MARI	11061LUP	JN-MN
10A8344	MINNM	110-014	DISOG	11020	KERSH	11062	C-R
10A8468	MINNM	110-016	DISOG	110206	MICH	110623R91	IH
10A8486	MINNM	110-019	DISOG	110206	MICH	11062A	C-R
10A8L	AAMCO	110-021	DISOG	110206	UNIVE	110631	US-EL
10A9471	MINNM	110-023	DISOG	110206	UNIVE	11063A	C-R
10A9789	MINNM	110-026	DISOG	110210	UNIVE	11064	CLARK
10B1444	FED	110-037	DISOG	110211	MICH	11064	DGASK
10B1444	FED	110-039	DISOG	110212	MICH	110641	DGASK
10B1754	FED	110-045	DISOG	110212	MICH	11065	C-R
10CDK-01094	WHITE	110-047	DISOG	110225	MICH	11065A	C-R
10CDKL01094	WHITE	110-049	DISOG	110225	UNIVE	11066	C-R
10P1772	MINNM	110-054	DISOG	110228	MICH	11066A	C-R
				110237	MICH	11067	C-R
				110237	UNIVE	1106756	ALLCH

! Industrial Size/Type * Minor Width Difference = Call 1-800-480-1212 for price and delivery.

NUMERICAL

Zero Duplication or Recommended		Zero Duplication or Recommended		Zero Duplication or Recommended		Zero Duplication or Recommended					
Mfr. No.	Name Industrial	Mfr. No.	Name Industrial	Mfr. No.	Name Industrial	Mfr. No.	Name Industrial				
11067A	C-R	473419	110A04804 TROS	8705S	111176	AM WH	415196!	11141SB	TRSCM	1037	
11068A	C-R	473367!	110E-65	HWY	470530!	111178	HOUGH	471192	11141VB	TRSCM	340815
11068A	C-R	473367	110E-97	HWY	473228	111178H1	HOUGH	471192	11142VB	TRSCM	313842
11069	C-R	472560N!	110E65	FWD	472397!	111179	HOUGH	470059	11143	C-R	710285
11070	C-R	476838	110R	TIMKE	110PKG	111179	HOUGH	470380!	11143LPD	JN-MN	411245!
11071	C-R	472560N	110X130X12SC	TRSCM	110X130X12	111179H1	HOUGH	470059	11143LUP	JN-MN	411245!
11071-6G	IH	476470	110X130X12TC	TRSCM	110X130X12	111179H1	HOUGH	470380!	11146	C-R	471692!
11071-6G	IH	476470!	110X135X13ASN	ISP	110X135X13	111179H1	IH	470059	11146	C-R	471692
11071A	C-R	471466!	110X135X13ASN(35)	ISP	110X135X13	111179H1	IH	470380!	11147	C-R	471692
11073A	C-R	415001!	110X140X12SC	TRSCM	110X140X12	11118	C-R	471281!*	11147	C-R	471692!
11074F	IH	470088	110X140X12TC	TRSCM	110X140X12	111180	HOUGH	5976S	111475	CLARK	8126S
11074LPD	JN-MN	415995!	110X140X13SC	TRSCM	110X140X13!	11119	C-R	471532*	111477	CLARK	415995!
11074LUP	JN-MN	415995!	110X140X13TC	TRSCM	110X140X13!	111193	AM WH	410694!	111478	CLARK	416039
11074LUP	JN-MN	415995!	110X145X13AN	ISP	110X145X13	11119A	HERCU	455189	111479	US-EL	450040
110752	AVCO	415449!	110X145X13AN(35)	ISP	110X145X13	11119LPD	JN-MN	417356!	111481	CLARK	416332!
110752	HERCU	415449!	110X150X15SC	TRSCM	110X150X12*	11119LPD	JN-MN	455188	111482	CLARK	415379
110752B	HERCU	415449!	110X150X15SC	TRSCM	110X150X15	11119LUP	JN-MN	417356!	11148LPD	JN-MN	417485
1107704K3	IH	470380!	110X150X15TC	TRSCM	110X150X12*	11119LUP	JN-MN	455188	11148LUP	JN-MN	417485
11077A	C-R	471787!	110X150X15TC	TRSCM	110X150X15	11120	C-R	471466	111497	WAUKE	471413
11078	C-R	472560N	111	UNIVE	473236!	11120LPD	JN-MN	415043	1115	SPG	416664!
11078A	C-R	472015!	111-307-113	VW	1163=	11120LUP	JN-MN	415043	11150	C-R	471692!
11079	C-R	3638	111-405-641B	VW	1217	111210	UNIVE	473435*	111501315	VW	1012
110799-40	IH	472705!	111-W2	REO	HU149A	111211	MICH	473435	111501315	VW	1012N
1108	TIMKE	1108	1110	TIMKE	1110	111212	MICH	473436	11151	DGASK	35316
1108	UNIVE	415076*	11100	DGASK	35402	111212	UNIVE	473436	11151-2K-11	IH	472258!
11081	C-R	472560N	111001	DGASK	35402	11121LPD	JN-MN	417353!	111511	DGASK	35316
11081CM	SUL	455476	11100LPD	JN-MN	470059	11121LUP	JN-MN	417353!	111512-K-63	IH	416706!
11082	C-R	472560N	11100LPD	JN-MN	470380!	11122	C-R	471529*	111512G12	IH	471267!
11083A	C-R	411253!	11100LUP	JN-MN	470059	111225	MICH	50168	111514	CLARK	3016
11084	C-R	472560N!	11100LUP	JN-MN	470380!	111225	UNIVE	50168	111514	CLARK	456052
11085A	C-R	474281!	111017	CUMMI	413469!	11123	C-R	471652!	11152	DGASK	35316
11086	C-R	222820	11102	DGASK	427RR	11123	C-R	482208	111521	DGASK	35316
1108641	VICK	455858	111021	DGASK	427RR	11123	EMRSN	471652	11152SB	TRSCM	472560N!
11086AS	HOUGH	473179!	11103	C-R	471652	11123	EMRSN	482208!	11152VB	TRSCM	472560N
110873	CLARK	6547	111035	WOOL	450111	111237	MICH	450054	11154	C-R	471692!
11087AS	HERCU	473179	1110416	CHRY	415449!	111237	UNIVE	450054	11154	HU-WR	471141!
11088A	C-R	473464!	11106LPD	JN-MN	416339	11124	C-R	471652	1115480	ALLCH	450467
11088A	C-R	473464	11106LPD	JN-MN	455031!	11124SS	JN-MN	340847	11155	C-R	471692!
11088A	HERCU	473179	11106LUP	JN-MN	416339	11125	C-R	471652!	11155	C-R	471692
11089	C-R	471652	11106LUP	JN-MN	455031!	11125	C-R	482208	11156	C-R	471692!
11089	C-R	482208!	11108	C-R	471652	11125SS	JN-MN	340849	11156	C-R	471692
110897	CLARK	415458!	111082	HOUGH	471766!	11126	C-R	471652	11156	WAYNE	473467!
110898	CLARK	470565!	111082H1	HOUGH	471766!	11126A	HERCU	417082	11157	C-R	471692!
11090	C-R	471652	111083	HOUGH	473010!	11129	DGASK	35315	111576	CUMMI	473016!
11090	C-R	482208!	111083H1	HOUGH	473010!	111291	DGASK	35315	11158	C-R	471692!
11091	C-R	471652	111083H1	IH	473010!	1112Y	IH	5M289	111592Y	AVCO	415458!
11091	C-R	482208!	111084	HOUGH	476470	11130	C-R	471652	111592Y	HERCU	415458!
110914	CLARK	417545	111084	HOUGH	476470!	111307	GMC	410496!	1115938	CHRY	450776!
11091A	C-R	471224!	111084H1	HOUGH	476470!	11131VB	TRSCM	340835	11160	C-R	471692
11092A	C-R	472636!	111084H1	HOUGH	476470	11133	C-R	471652	11160	C-R	471692!
11094A	C-R	470059	111084H1	IH	476470!	11133	C-R	471652	11160	JN SON	471349
11094A	C-R	470380!	111084H1	IH	476470	11134	C-R	471652	11161	C-R	204020
1109558C1	IH	415041	1110879C1	IH	415035	11135	DGASK	35292	11161	C-R	204505!
11095A	C-R	471821!	11109	C-R	471652	111351	DGASK	35292	1116194	ALLCH	200354
11096	STEEL	472164!	1111+2106	STEM	370003A	11136	C-R	1989	111624	AVCO	413248
11096A	C-R	470950!	1111+2115	STEM	370005A	111368	CLARK	415035	111624	HEIL	413248
11096A	C-R	6241S	1111+2162	STEM	370006A	11137	C-R	222835*	11162SB	TRSCM	482208!
110976	GMC	418028	1111+320-2106	STEM	370003A	11137AS	HERCU	473179	11162TB	TRSCM	471652
110976	GMC	455137!	1111+320-2106	STEM	380003A	11138	C-R	471692	11162VTB	TRSCM	471652
110978	GMC	415137!	1111+320-2115	STEM	370005A	11138	C-R	471692*	11163	JN SON	471272!
110978	GMC	418028	1111+320-2162	STEM	370006A	111383	HOUGH	471224!	111632	AVCO	471705!
11097R	IH	471141!	111105245	VW	22620	1114-1252-068	LEYLD	228010	111632	HERCU	471705!
11098	C-R	471652	111105245	VW	60X80X8!	11140	C-R	471692!	111633	CLARK	416154!
11098R	IH	473010!	11111	C-R	3638	11140	C-R	471692	111637	EATON	5089
11099	C-R	471652*	11112	FITZ	5073	11140	DGASK	25598	11164	C-R	204020
11099	DGASK	35394	111146	HOUGH	5976S	111401	DGASK	25598	11164	C-R	204505*
110991	DGASK	35394	111147	AM WH	471138!	111404	US-EL	413248	111640	AM WH	411245!
110998	GMC	455584	11114M1	C-R	474277	111405641A	VW	224045	111646	CLARK	473473
110998	GOODM	455584	11115	C-R	470004	111405641A	VW	40X62X12!	11165	DGASK	35410
110998	JEFF	455584	111161	CLARK	50514	11140SS	JN-MN	416556!	111651	DGASK	35410
11099A	C-R	473232	111163	AM WH	471344!	11140SS	JN-MN	472157	11166	C-R	204020
110A04504	TROS	331173	11117	C-R	471530*	11141	C-R	471692!	11166	C-R	204505!

! Industrial Size/Type * Minor Width Difference = Call 1-800-480-1212 for price and delivery.

Zero Duplication or Recommended		Zero Duplication or Recommended		Zero Duplication or Recommended		Zero Duplication or Recommended		
Mfr. No.	Name	Industrial	Mfr. No.	Name	Industrial	Mfr. No.	Name	
11167	C-R	203020	111937	US-EL	415498	112207XX	TIMKE	
11167LPD	JN-MN	415001!	11193A	C-R	472924!	11X22X7	112600	GOODM
11167LUP	JN-MN	415001!	11193LPD	JN-MN	471795	11220M1	C-R	471466!
11168	C-R	476838!	11193LUP	JN-MN	471795	11220Y18	C-R	471466!
11168-D	CLARK	415437	11193NB	SPG	471193	112210	UNIVE	472287!*
11168-D	CLARK	415437!	111940R91	IH	472409	112211	MICH	472287!
11168-E	CLARK	415437	11194LPD	JN-MN	415142*	112212	MICH	471192
11168-E	CLARK	415437!	11194LUP	JN-MN	415142	112212	UNIVE	471192
111682SB	TRSCM	481213!	11196	C-R	476838!	112212SL	MICH	471192
11169	C-R	476838!	111962	AVCO	417486	11222	C-R	471529
11170	C-R	476838*	111962	HERCU	417486	112225	MICH	473214!
11170	C-R	476838	111962B	HERCU	417486	112225	UNIVE	473214
111704XX	TIMKE	11X17X4	111965	CLARK	455079!	112225SLT1	MICH	473214
111707R91	IH	470898	111965	CLARK	455079!	11223	C-R	470712!
111708	CLARK	7700S!	11197	BU-SP	416888!	112237	MICH	473215!
111708	MIXMO	6886S	11197	C-R	350974!	112237	UNIVE	473215!
111708R91	IH	470898	11197LPD	JN-MN	415991	11224	BU-SP	415007!
11171	C-R	476838*	11197LPD	JN-MN	455146!	112243	UNIVE	470950!
11171	C-R	476838	11197LUP	JN-MN	415991	112243	UNIVE	6241S
111710R1	IH	470954!	11197LUP	JN-MN	455146!	112244	MICH	470950!
111711R91	IH	412473!	11198	BU-SP	472439	112244	MICH	6241S
111712R91	IH	416476!	11198LPD	JN-MN	416332!	112250	UNIVE	471835!
111719	CLARK	415263	11198LUP	JN-MN	416332!	112251	DGASK	35524
111720	CLARK	416271!	11199	BU-SP	471192	11225A	HERCU	240119
111721	CLARK	416921!	111R	TIMKE	111PKG	112265	CLARK	472492!
111726	CLARK	416125!	112	UNIVE	472179	11226LPD	JN-MN	417538*
111729	CUSH	473214!	11200	C-R	350974!	11226LUP	JN-MN	417538
111729	O-M	473214=	11200	C-R	350974!	112275	UNIVE	450463
11172LPD	JN-MN	470059	11202	C-R	470712!	112308	CLARK	100495
11172LPD	JN-MN	470380!	112029	CLARK	456112=	112308	CLARK	417349
11172LUP	JN-MN	470059	112029	KEN	456112=	11232	CHRYS	473243
11172LUP	JN-MN	470380!	11202SB	TRSCM	471763	1123241	CUMMI	473016!
11172TB	TRSCM	471692!	11202SB	TRSCM	471763	112332	CLARK	416362
111740	FMS	100518	11202VHY	TRSCM	471763	112341	OLIVE	415447
11174SS	JN-MN	40410S	112034R91	IH	472439	112347	OLIVE	415447
11174VB	TRSCM	204505!	112035	MINNM	472572!	11236	FITZ	5132
111750	CLARK	412473!	112035	OLIVE	472572!	112365	OLIVE	470059
111756	CUSH	473197	11203TB	TRSCM	471763	112365	OLIVE	470380!
111756	O-M	473197=	11204	C-R	470712!	112367	OLIVE	470059
111761	CLARK	471766!	11204	C-R	470712!	112367	OLIVE	470380!
11177	C-R	476838!	11204A	C-R	416865!	112403	OLIVE	470764!
11177LPD	JN-MN	456618	11205	C-R	470712!	112403	OLIVE	50764
11177LUP	JN-MN	456618	112051R91	IH	471766!	11240LPD	JN-MN	473464
11178	C-R	476838!	112052R91	IH	471766!	11240LPD	JN-MN	473464!
111784VHY	TRSCM	203020	112055	CLARK	416070	11240LUP	JN-MN	473464
111784VHY	TRSCM	204020	11205602.5	TROS	340850	11240LUP	JN-MN	473464!
111785	CLARK	472409	112062VB	TRSCM	471785!	11241LPD	JN-MN	473313
1117B	GOODM	471192	112063SB	TRSCM	471785!	11241LUP	JN-MN	473313
11180	C-R	323133	11207	C-R	470712!	11242SB	TRSCM	473259!
111801	AM WH	415196!	11208	C-R	470712!	11243	FITZ	5127
111802	AM WH	471554!	112081	DGASK	35361	112431	DGASK	35001
11182SB	TRSCM	476838	11209	C-R	470712!	112432SL	TRSCM	474254
11182TB	TRSCM	476838!	1120S	TIMKE	1120	11244	C-R	470712!
11183	C-R	476838!	1121	TIMKE	1121	11244	C-R	470712!
11183K	CASE	200354	1121	TIMKE	1121	112458Y	AVCO	471763
11183SA	TRSCM	350974!	112101	US-EL	471827	11246	C-R	470712!
111843	CLARK	416921=	11213SB	TRSCM	481792	1124631	SOLAR	471466!
111872TB	TRSCM	470712!	11214	CHRYS	410496=	1124681C1	IH	417172
111872VSB	TRSCM	470712!	112149	CLARK	471866!	11247	C-R	470712!
111872VTB	TRSCM	470712!	11215	C-R	470004!	1124E-1	CLARK	472572!
1118B	GOODM	473214	11215DB	TRSCM	472350!	1124E-2	CLARK	473464
1118D	GOODM	473214	11215M1	C-R	470004!	1125	SPG	471195!
111908R91	IH	416865!	112161	DGASK	35486	11252	C-R	470712!*
111909R91	IH	416865!	11217	C-R	471530	1125266C1	IH	415035
11191	C-R	476838!*	11218	C-R	471281!	1125267C1	IH	473238
11192	C-R	476838!	112185	O-M	473428	1125268C1	IH	416888!
11192SB	TRSCM	471747!	11218H	DIA	473179	112547	AM WH	470625!
11193	C-R	476838!	11219	C-R	471532	11255	C-R	470712!*
1119321	ALLCH	415035	112190	CLARK	417522	11256	C-R	470712
111933	GMC	8996S=	1121924	C-R	55078S	11257	C-R	470712!
111936	GMC	415551	112193	HOUGH	473227!	11258	C-R	470712!
111936R91	IH	472409!	112193H1	HOUGH	473227!	1125919	ALLCH	450819
			11220	C-R	471466!	112596	AM WH	476838!
			112207A	HARWA	11X22X7	112597	JEFF	455024

! Industrial Size/Type * Minor Width Difference = Call 1-800-480-1212 for price and delivery.

NUMERICAL

Zero Duplication or Recommended		Zero Duplication or Recommended		Zero Duplication or Recommended		Zero Duplication or Recommended					
Mfr. No.	Name Industrial	Mfr. No.	Name Industrial	Mfr. No.	Name Industrial	Mfr. No.	Name Industrial				
11312T2	DIA	370019A	11380	C-R	450604	11429A	C-R	471504!	1150540	C-R	415076
11314	C-R	471763	1138281	CHRY	240356	11429NA	SPG	472082	1150580	C-R	415076
113148	MINNM	455189	1138282	CHRY	240151	11430	CASE	471835!	11507	CHRY	413470!
113148	OLIVE	455189	113848	GMC	416394	11431	CASE	471553!	11508	BR-WN	471224!
11316G	OSHKO	415088	113854	CLARK	JV1121=	11432	KINNR	473215!	11514	C-R	471707*
11316SS	JN-MN	451583!*	113866	EATON	100263	11434537	ALLCH	471341=	11514LPD	JN-MN	471827!*
11317	BU-SP	412473!	113866	EATON	4562V	114378	HERCU	471795	11514LUP	JN-MN	471827!
1131714X1	IH	456199=	113875	CLARK	417283	114378Y	AVCO	471795	11515LPD	JN-MN	473471*
11318	BU-SP	417351!	11391	C-R	450332	114392-A-107	FWD	HU009A	11515LUP	JN-MN	473471
11318	C-R	471763*	11392	C-R	473259*	114399	GOODM	471649!	115162TB	TRSCM	474260
11319	BU-SP	415379	11392	C-R	473259	114399	JEFF	471649!	115172TB	TRSCM	471707
11319	BU-SP	415379!	113970R91	IH	473473	114407	WHITE	472258	11517LPD	JN-MN	455625=
11320	C-R	471763*	113971R91	IH	471413!	114410-A-107	FWD	HU149A	11517LUP	JN-MN	455625=
113243	UNIVE	50254=	1139896	CHRY	450776!	114411-A-204	FWD	730149	11518	C-R	474260*
113244	MICH	50254=	1139897	CHRY	471862	1144500	HYST	40520S	11518	C-R	474260
11327SS	JN-MN	351487	1139898	CHRY	470950!	11448A	HERCU	455189	115182SB	TRSCM	471736
113286	OLIVE	470712!	1139898	CHRY	6241S	1145022	BENDI	481568!	11518LPD	JN-MN	473237!
11333	C-R	471763*	1139899	CHRY	474264	1145028	ALLCH	473232	11518LUP	JN-MN	473237!
113339	OLIVE	470712	1139900	CHRY	471316	114533	HOUGH	411253!	115200	MIX	471766!
11334	C-R	471763	113E-4	HWY	417316!	11453LPD	JN-MN	412119!	115201	MIX	470625!
113341	OLIVE	455189	113E36	HWY	450165	11453LUP	JN-MN	412119!	115202TB	TRSCM	471764!
11338	C-R	471763	113E36	HWY	471801!	11459	CHRY	473010!	115202TB	TRSCM	471764!
11339	C-R	471763	113R	TIMKE	113PKG	114631	SPICE	471821!	11521	C-R	450482
11340	C-R	471763	114	UNIVE	473238!	114632	SPICE	471763	115210	MIX	473459
1134101	ALLCH	441130	114-W2-1	REO	733067	114636	GMC	471224!	115211	MIX	471870!
11341SB	SPG	471341!	114-W2-11	REO	730018	11467	GAL	471255!	115214	MIX	472636!
1134220	ALLCH	410102	114-W2-2	REO	730026	11468A	C-R	473228	11522	C-R	474260!
113424	CLARK	416664!	114-W2-3	REO	730004	1146S	TIMKE	1146	11522	C-R	474260
113426	CLARK	415389	114-W2-5	REO	730001	1147	TIMKE	1147	115223	MIX	416654!
113426	KEN	415389	114-W2-6	REO	730003	11471	ITM	1110	115224	MIX	415995!
11343	C-R	471763*	114-W2-7	REO	730008	11471K	CASE	417343!	115227	MIX	415142
1134395	ALLCH	472439	114-W2-8	REO	730016	11474A	C-R	471766!	115229	MIX	471765!
11344	C-R	471763	114-W2-9	REO	730149	11476A	C-R	472409!	11522LPD	JN-MN	410308!
113485	AM WH	411500	1140	C-R	340835	114771R91	IH	417484!	11522LUP	JN-MN	410308!
113501315	VW	1012	1140	TIMKE	1140	114774	HOUGH	415458!	11523	C-R	471736
113501315	VW	1012N	11405	C-R	472954	11479A	C-R	416654!	115232	MIX	472397!
113501315H	PORSC	224462	11407	C-R	710504	11480	KINNR	471538!	115235	MIX	412473!
113501315H	PORSC	44X62X8!	114074	WHELA	471765!	11480A	C-R	410987!	115237	MICH	473438
113517	O-M	474260	11409	KINNR	473428	11486SB	SPG	470380!	115237	UNIVE	473438
11352	C-R	472644	11410	C-R	450430*	11486SB	SPG	472189A!	11524	C-R	471736*
11353	C-R	472644	114102Y	AVCO	473238	1149	GARLK	473462	115240	MIX	415303!
11353	JNSON	416921!	114109	MINNM	473229	114914	ALLCH	417267	115242	MIX	472157!
113550R91	IH	417538	114109	OLIVE	473229	114941	US-EL	327303!	115242	MIX	472157
113551R91	IH	417538	1141223C1	IH	396412* =	11497LPD	JN-MN	476470	115243	UNIVE	473439!
113554R91	IH	471270!	11413	GW	473228	11497LUP	JN-MN	476470	115244	MICH	473439!
113558R91	IH	415449!	114134Y	AVCO	450143	11498LPD	JN-MN	482253	11525	C-R	473428
11356	C-R	471785	114135	MICH	415076*	11498LUP	JN-MN	482253	115251	MIX	415483!
113569R91	IH	456105	114136Y	AVCO	471192	11499LPD	JN-MN	50266	115252	MIX	416664!
11357	C-R	471785	114136Y	HERCU	471192	11499LUP	JN-MN	50266	115254	MIX	473460
11358	C-R	471785!	11414	GW	471820	114R	TIMKE	114PKG	115256	MIX	473467
113585R91	IH	415449!	11415	GW	473228	114X140X13SC	TRSCM	114X140X13	115259	MIX	416273!
11359	C-R	471785!	114184	CLARK	416422	114X140X13TC	TRSCM	114X140X13	11526	C-R	471736
11365	C-R	471785!	1141962R1	IH	5084	115	UNIVE	472394	11527	C-R	473428*
11366	BU-SP	471766!	11420	KINNR	471281!	115-4120	CATER	39881	115270	MIX	416865!
11366	C-R	471785	1142056	CHRY	471267!	115-4120	CATER	5722	115271	MIX	55392=
11368	C-R	471785=	11420SS	JN-MN	417484!	115-4120	CATER	947090\$	115272	MIX	327303!
11368LUP	JN-MN	416156	114210	CLARK	415351!	115-W2	REO	HU028A	115273	MIX	417474
11369	C-R	471785	11422	C-R	1989	1150	GARLK	450472!*	115277	MIX	417488!
1136S	TIMKE	1136	114225	MICH	473016!	1150-10509LUP	JN-MN	415076	11528	C-R	473428*
1137	GRAY	471649!	114225	UNIVE	473016!	1150-15072STLUP	JN-MN	415076	115280	MIX	4717495
11370	C-R	471785!	114228	FWD	370003A	1150-18708LPD	JN-MN	415077	115282	MIX	416865!
11370	CASE	471763	114229	FWD	370003A	1150-9019LUP	JN-MN	415077*	115283	MIX	450326
11370	CLARK	471763	114237	MICH	473225!	11500LPD	JN-MN	415035	11529	C-R	471736
11371	C-R	481792=	114237	UNIVE	473225!	11500LUP	JN-MN	415035	115291	MIX	415991
11372	C-R	481792	11424	KINNR	471647	115015	C-R	415077	115291	MIX	455146!
11374	C-R	481792	114243	UNIVE	474264	115016	C-R	415077	115292	MIX	415035
1137411C1	IH	470354	114244	MICH	474264	115020	C-R	415077	115292	MIX	415035!
11375	C-R	481792	114250	UNIVE	473226	115021	C-R	415077*	115293	MIX	417349
11376	C-R	481792	114275	UNIVE	450808	115025	C-R	415077	115294	MIX	455144
113763	OLIVE	471835!	11427LPD	JN-MN	480630!	1150250	C-R	415077	1153	GARLK	473241
11378	C-R	450604*	11427LUP	JN-MN	480630!	115040	C-R	415076	11532	C-R	473428
11379	ACF	415150!	11429	C-R	320595	115041	C-R	415076*	115322	MIX	471722!

! Industrial Size/Type * Minor Width Difference \$F-M Number Is Part Of A Kit = Call 1-800-480-1212 for price and delivery.

Zero Duplication or Recommended		Zero Duplication or Recommended		Zero Duplication or Recommended		Zero Duplication or Recommended		
Mfr. No.	Name	Mfr. No.	Name	Mfr. No.	Name	Mfr. No.	Name	
115328	MIX	417362!	115X140X12TC TRSCM	115X140X12	11625 C-R	30X47X7!	11660LUP JN-MN	412040
11533	C-R	473428	115X145X13AN ISP	115X145X13	116250	MICH	473228	223050 *
11533	WOODB	471272!	115X145X13AN(35) ISP	115X145X13	116250	UNIVE	473228	30X62X7
115330	MIX	55078S	115X150X12SC TRSCM	115X150X12	116256	UNIVE	410190	116646
115332	MIX	471271!	115X150X12TC TRSCM	115X150X12	1162565	ALLCH	473010!	11665 C-R
115333	MIX	473450	11600 C-R	1129	11626	C-R	223020	116652
115334	MIX	472560N!	11600 C-R	223005	116265	HOUGH	472636!	11666 C-R
11534	C-R	473428	11600 C-R	30X40X7!	116265H1	HOUGH	472636!	11668 C-R
11535	C-R	473428	116002173010 ALFAR	224220	116265H1	IH	472636!	11669 C-R
11535LPD	JN-MN	473460	116002173010 ALFAR	42X56X7!	1162682	ALLCH	472572!	1166965
11535LUP	JN-MN	473460	116002173010 ALFAR	494117	1162682	FUNK	472572!	116698
1154	GARLK	473241*	11601 C-R	30X40X7V	11627	C-R	30X47X7V	11669LPD
1154109	CATER	39881	11601724 CHRYS	471564	1162717	ALLCH	47154!	JN-MN
1154109	CATER	5721	11602 C-R	30X40X7!	1162717	FUNK	47154!	11670
11544	C-R	471764*	11603 C-R	223005	116275	MICH	473440!	C-R
11544	C-R	471764	1160303 FUNK	470954!	116275	UNIVE	473440!	11672
11545	C-R	471764	11603204 TROS	471472!	116276	MICH	474281!	C-R
11545	C-R	471764*	116038 US-EL	471350!	11627A	C-R	471466	11673
115456H	IH	417316!	11603805 TROS	473405	116299	UNIVE	450326	116736
11548	C-R	471764!	11604 C-R	1129	1163	AT-PL	47187!	11675
11549	C-R	471764!	11604 C-R	223005	11630	C-R	30X48X8!	C-R
11550	C-R	471764 =	11604 C-R	30X40X7!	11631	C-R	30X50X7	116757
11551LPD	JN-MN	472492!	11604004 TROS	471264!	116311	CLARK	471341!	WAUKE
11551LUP	JN-MN	472492!	11604204 TROS	481537	1163113	ISL MICH	210914	TIMKE
11552LPD	JN-MN	55301S	11604404 TROS	471538!	11631K	CASE	340210	TIMKE
11552LUP	JN-MN	55301S	11604606 TROS	470506!	11632	C-R	223020	TIMKE
11553	C-R	451182	11604803 TROS	470954!	11632	C-R	30X47X7!*	116827
11553	WOODB	471272!	11604804 TROS	470954!	116324R91	IH	470898	BRCWY
11555	C-R	473427	11604805 TROS	470954!	11633	C-R	30X48X8!	11685
115551	OLIVE	470059	116049 CLARK	416229	11634	C-R	30X50X7*	C-R
115551	OLIVE	470380!	11605 C-R	1129	11635	C-R	30X50X7	11685LPD
11557	C-R	473427*	11605 C-R	30X40X7!	116352R91	IH	471553!	JN-MN
11557LPD	JN-MN	417354!*	116050 CLARK	471271!	116353R91	IH	471344!	11686
11557LUP	JN-MN	417354!	11605003 TROS	470601	116359	HOUGH	5976S	C-R
11558LPD	JN-MN	455005	11605005 TROS	470601	116359H1	IH	254287	NATL
11558LUP	JN-MN	455005	11605006 TROS	470601	11635LPD	JN-MN	417356!	11693LPD
1156-001	PYUNG	7457N	11605203 TROS	471539!	11635LPD	JN-MN	455188	JN-MN
1156-002	PYUNG	2146	11605204 TROS	471539!	11635LUP	JN-MN	417356!	JN-MN
1156-025	PYUNG	1215N	11605205 TROS	471539!	11635LUP	JN-MN	455188	JN-MN
1156-054	PYUNG	1990	11605603 TROS	254287	11636	C-R	223050	JN-MN
1156-185	PYUNG	1990	11605604 TROS	254287	11638	C-R	30X52X7	JN-MN
11561	US-EL	472179	11606 C-R	30X40X7V	11639	C-R	223035*	JN-MN
11564LPD	JN-MN	481163!	11609 C-R	30X45X8V	1164	AT-PL	472164!	JN-MN
11564LUP	JN-MN	481163!	1161 TIMKE	712146	11640	C-R	223035	JN-MN
11566	C-R	450362	11610 C-R	1970	11640	C-R	30X52X7!	JN-MN
115687H	IH	470898	11610 C-R	30X42X7!	11641	C-R	30X52X10V	JN-MN
11568LPD	JN-MN	472287!	11610002 TROS	240731	11641073	CONTI	J1120 =	JN-MN
11568LUP	JN-MN	472287!	11611 C-R	223010	11643LPD	JN-MN	417516	JN-MN
11569LPD	JN-MN	450621	11612 C-R	223012	11643LUP	JN-MN	417516	JN-MN
11569LUP	JN-MN	450621	11614 C-R	223012	11645446	CHRYS	473197 =	JN-MN
11577LPD	JN-MN	416239!	11614 C-R	30X44X7!	11645447	CHRYS	481397 =	JN-MN
11577LUP	JN-MN	416239!	11615 C-R	223014*	116456H	IH	417316!	JN-MN
115806H	IH	450165	11615 C-R	30X45X8!	11650	C-R	7442H	JN-MN
115806H	IH	471801!	11616 C-R	223012*	11652	C-R	30X55X10*	JN-MN
11583SS	JN-MN	340356	11618 C-R	710359	11652	C-R	30X55X7!	JN-MN
11585	C-R	472475*	11619 C-R	2016	11653	C-R	30X55X10V*	JN-MN
115885	OLIVE	455121	1162 GARLK	450474*	11654	C-R	30X56X8	JN-MN
115887	OLIVE	470764!	11620 C-R	223018	11654LPD	JN-MN	481163!	JN-MN
115887	OLIVE	50764	11620 C-R	30X46X7!	11654LUP	JN-MN	481163!	JN-MN
11589	C-R	223014	11622 C-R	1981	11655	C-R	3907	JN-MN
1159	NATL	222510	116225	UNIVE	470625!	116557	AM WH	471354!
115950	SPERY	204035	11623	C-R	223020	11657	C-R	30X56X8
115950	VICK	205035	116237	MICH	470059	11658	C-R	30X55X10
11598935	CONTI	473237!	116237	MICH	470380!	11659	C-R	30X47X7*
11599K	CASE	340927	116237	UNIVE	470059	116596	HOUGH	471224!
115A980AAP21	GE	471554!	116237	UNIVE	470380!	116596H	HOUGH	471224!
115A980AB1	GE	472185!	116237SL	MICH	470059	116596H1	HOUGH	471224!
115A980AD3	GE	481073	116237SL	MICH	470380!	116596H1	IH	471224!
115A980AD9	GE	471554!	11624	C-R	30X47X7	1166	NATL	222510
115G-20	WHITE	5494\$	116243	UNIVE	471820	1166	NATL	25X35X7!
115R	TIMKE	115PKG	116244	MICH	471820	11660	C-R	30X60X8
115X140X12SC	TRSCM	115X140X12	11625	C-R	223020	11660LPD	JN-MN	412040*

! Industrial Size/Type * Minor Width Difference \$F-M Number Is Part Of A Kit = Call 1-800-480-1212 for price and delivery.

NUMERICAL

Zero Duplication or Recommended		Zero Duplication or Recommended		Zero Duplication or Recommended		Zero Duplication or Recommended	
Mfr. No.	Name	Mfr. No.	Name	Mfr. No.	Name	Mfr. No.	Name
11730 C-R	470328*	11788A C-R	470898!	118202SB TRSCM	471765!	1185296 FMC	470954!
11730 C-R	481213	11788A C-R	470898	118202TB TRSCM	471765!	11854 BL-KN	410308!
1173052 GMC	5589\$	11789LPD JN-MN	415349	1182062TB TRSCM	471354!	11854 FULLE	471413
11731 HWY	410102	11789LUP JN-MN	415349	1182111 GMC	472164	11854 NAK	78X115X10
11732 C-R	2551	1178H OSHKO	415960!	118212SB TRSCM	473205!	1185485 FMC	471737
11732 EMRSN	473237!	1178S TIMKE	1178	118225 HOUGH	450398	11855 C-R	453063
11733 C-R	9487	1179 C-R	HU036A	118225 HOUGH	471267!	118559 BRCWY	412119!
11734 C-R	473203	1179 NATL	224045	118225SS JN-MN	473237!	11855LDS JN-MN	471424!
11735 C-R	473203	1179 NATL	40X62X12!	118237 UNIVE	472299	1185629 FMC	471766!
117362R91 IH	416282	11790LPD JN-MN	417511	1182385 GMC	470605!	1185630 FMC	471766
117380 WAUKE	471271!	11790LUP JN-MN	417511	118242SB TRSCM	474256!	1185633 FMC	471633!
11739LPD JN-MN	415142*	117933 CLARK	415303!	118243 UNIVE	471821!	1185642 FMC	471652
11739LUP JN-MN	415142	11793STLPD JN-MN	509516	118244 MICH	471821!	1185643 FMC	415984!
11740 C-R	473425	11796 C-R	471765!	118250 MICH	473229	1185687 FMC	471744!
11744 FULLE	415027	11797 C-R	471765!	118250 UNIVE	473229	1185734 FMC	471808!
11744 FULLE	415027!	1179RC SUL	471750!	118256 UNIVE	450143	1185735 FMC	471730
11747 C-R	483054N	117A4 WHITE	473467!	118259 GMC	471763	1185769 FMC	473244!
11747A C-R	415449!	117D6 WHITE	370036A	11826 C-R	471765!	1185777 FMC	471737
11748A C-R	415995!	117D6 WHITE	370349A	118262 MICH	470682	1185882 FMC	471224!
11748A C-R	415995	117R TIMKE	117PKG	118262 UNIVE	470682	11859 BL-KN	456105
1174S TIMKE	1174	118-5352 FMC	481397	118275 MICH	473441	11859 C-R	471354!
1175 TIMKE	1175	1180-034 PYUNG	223250	118275 UNIVE	473441	1185929 FMC	472258!
1175144 FMC	471267!	1180-035 PYUNG	225040	118276 MICH	450273	1186 BL-KN	472164!
11753 C-R	472475*	11800 C-R	471765	118276 WILYS	470954!	1186 COC	471870!
11754 C-R	472475*	11801 C-R	471765!	118287 MICH	473442!	1186 WMG	1979
11754A C-R	417356!	11801 JNSON	J1124	118287 UNIVE	473442!*	11860 C-R	471354!
11754A C-R	455188	118023 HOUGH	417344!	1183 TIMKE	1183	1186052 FMC	471224!
117565 HOUGH	415995!	11803 C-R	471765!	11830 BL-KN	473313	11863 BL-KN	416706!
117565H1 HOUGH	415995!	118049 HOUGH	472409	11830LUP JN-MN	417487!	11865 BL-KN	473236!
117567 HOUGH	417316!	11804LPD JN-MN	415066*	11830LUP JN-MN	417487	11866 BL-KN	471762!
117567H1 HOUGH	417316!	11804LUP JN-MN	415066	11832 BL-KN	417487	11867150 GMC	471554!
117568 HOUGH	412119!	11805 C-R	471765!	11832LPD JN-MN	416153!	11868 BL-KN	415577
117580R91 IH	471413	118068 CLARK	417344!	11832LUP JN-MN	416153!	1187 BL-KN	411253!
11758LPD JN-MN	55333=	118086H1 IH	416654	11833 BL-KN	472185!	1187 NATL	47X68X10!
11758LUP JN-MN	55333=	118095 CLARK	473215!	11833 NAK	14X27X7	1187003 FMC	471570!
117598 CLARK	203008	11809LPD JN-MN	450523	11833LPD JN-MN	417079	1187004 FMC	471224!
1176-013 PYUNG	1990	11809LUP JN-MN	450523	11833LUP JN-MN	417079	1187006 FMC	471692!
1176-023 PYUNG	223801	1180R MINNM	6590S	11834SS JN-MN	472560N!	1187009 FMC	473215!
1176-049 PYUNG	2011	1180S TIMKE	1180	11835 BL-KN	413469!	1187010 FMC	474276!
1176-055 PYUNG	1990	1181 TIMKE	1181	11835A C-R	472015!	1187011 FMC	473367!
11760 BU-SP	417967!	118100 C-R	300X340X20*	11836 C-R	471765	1187011 FMC	473367
117604 CLARK	473464	118103 HOUGH	471224!	11837LPD JN-MN	472492!	1187012 FMC	472179
11764 C-R	472475	118113 BL-KN	415960!	11837LUP JN-MN	472492!	1187013 FMC	474281!
117643 HOUGH	470530!	118116 BL-KN	417082	118393 SIMPL	470390=	1187014 FMC	473463
117643H1 HOUGH	470530!	118117 SIMPL	472065=	1184 NATL	224520	1187015 FMC	450343
11765 C-R	471765!	118118 SIMPL	471224!	1184 NATL	45X60X10!	1187016 FMC	415082
117652 AM WH	415072	11812 BL-KN	473438	11840 C-R	471765	1187017 FMC	415088
11766A C-R	470334!	118126 BL-KN	416125!	11841 C-R	471765	1187017 FMC	415088!
11766A C-R	50289	118138 BL-KN	450532	11842A CLARK	J1127	1187020 FMC	474278!
11769A HERCU	471570!	11814 BL-KN	410190	11844 BL-KN	473464!	11871 BL-KN	55155=
1176S TIMKE	1176	11815 BL-KN	473234	11844 BL-KN	473464	11872 JNSON	416364!
1177 TIMKE	1177	11815 C-R	471765	11845 BL-KN	415060	1187241 FMC	471141!
11770 C-R	483488	11815 JNSON	415437	11845 BL-KN	455060	1187242 FMC	472924!
11771 C-R	40576S	11815 JNSON	415437!	11845 C-R	40576S	1187243 FMC	470898!
1177176 FMC	417487	11816 BL-KN	472924!	11846 C-R	40576S	1187315 FMC	473437
11772 C-R	473426*	118162SB TRSCM	481213!	11847 BL-KN	474274	11874 JNSON	J1138
117720 WAUKE	470712!	118162VC TRSCM	340817	118481A1 CASE	370069A	1187421 FMC	474254!
1177242 FMC	411376!	118163 BL-KN	416024	118482A1 CASE	370121A	1187447 FMC	205035
1177243 FMC	471747!	118167 BL-KN	476470!	11848P IH	412473!	1187521 FMC	471354!
11773 C-R	473426	118167 BL-KN	476470	118490H IH	5951	11875LPD JN-MN	413246
11776 BU-SP	473467!	118168 CLARK	417344!	1184RC SUL	417486	11875LUP JN-MN	413246
11776 C-R	473426*	118169 BL-KN	416294!	1185 NATL	1012	1187717 FMC	476838!
11777 C-R	473426*	11817 BL-KN	415995!	1185 NATL	1012N	1187718 FMC	471750!
11778 C-R	4813V	118170 BL-KN	J1123	1185 NATL	45X62X8!	1187719 FMC	471750!
11779 C-R	473426	118172SB TRSCM	473203	1185 WMG	1012N	1187720 FMC	473427
1178 NATL	224015	118172TL-H TRSCM	473203	1185071 FMC	471763	1187721 FMC	473467!
11780 C-R	473426	118173 CLARK	470898	11851 BL-KN	472015!	1187722 FMC	472492!
11780LPD JN-MN	417158!	1181788 GMC	472164	1185119 FMC	450165	1187723 FMC	470380!
11780LUP JN-MN	417158!	118183SB TRSCM	473425	1185119 FMC	471801!	11878 C-R	471354!
117829A OSHKO	416297	11819 BL-KN	471787!	1185144 FMC	471267!	11879 C-R	471354=
11783A HERCU	473179	118192TB TRSCM	473426	11852 C-R	40576S	118795H1 HOUGH	410825
11788 C-R	471765!	1182 WMG	224270	1185295 FMC	472311!	1187OS JN-MN	473238!

! Industrial Size/Type * Minor Width Difference \$F-M Number Is Part Of A Kit = Call 1-800-480-1212 for price and delivery.

Zero Duplication or Recommended		Zero Duplication or Recommended		Zero Duplication or Recommended		Zero Duplication or Recommended							
Mfr. No.	Name Industrial	Mfr. No.	Name Industrial	Mfr. No.	Name Industrial	Mfr. No.	Name Industrial						
1187S	TIMKE	1187		119250	MICH	482253		119641	CROSS	471763	119700	CROSS	352541
11881	C-R	471354!		119250	UNIVE	482253		119642	CROSS	471766!	119701	CROSS	412871!
11881LPD	JN-MN	471504!		11926	C-R	474254		119643	CROSS	472258!	11970SS	JN-MN	40410S
11881LUP	JN-MN	471504!		11926	C-R	474254*		119644	CROSS	481163!	11976A	CONTI	411394!
118856	US-EL	472164!		1192615	CHRY5	6597S		119645	CROSS	474274	11979	JOHND	473459
11885665	GMC	340771		119262	MICH	451469		119646	CROSS	472179	1198	ALOY	416273
118857	US-EL	471692!		119262	UNIVE	451469		119647	CROSS	472572!	1198	BU-SP	472439
118858	US-EL	471192		119276	MICH	450274		119648	CROSS	472492!	1198	C-R	415219
118864	CLARK	416592=		1192796	GMC	5591\$		119649	CROSS	472015!	11981	HUB-C	471744!
1188S	TIMKE	1188		1192796	WILYS	5591\$		119650	CROSS	471272!	11981LPD	JN-MN	416267!*
1189	NATL	1960		11928	C-R	55224=		119651	CROSS	416271!	11981LUP	JN-MN	416267!
11890	C-R	710068		119288	CLARK	415076		119652	CROSS	415449!	11982LPD	JN-MN	471818*
1189011	GMC	470774!		1193	ALOY	1949		119653	CROSS	415483!	11982LUP	JN-MN	471818
1189012	GMC	470774!		11930	C-R	474256*		119654	CROSS	416664!	1198434	HYST	416273
11892	AVCO	40568S		11930	C-R	474256		119655	CROSS	417344!	119865	US-EL	416380!
11892	BL-KN	473229		1193133	GMC	5591\$		1196555	GMC	7751H	1198816	HYST	471684!
11893LPD	JN-MN	450339		1193151	GMC	5591\$		119656	CROSS	417349	1198RC	SUL	471765!
11893LUP	JN-MN	450339		119317	WAUKE	415442!		119657	CROSS	416288!	1199-B1614	WHITE	5471
11894	C-R	473205		119317	WAUKE	55442		119658	CROSS	476470	11991	BU-SP	415023
11894LPD	JN-MN	416664!		11932	C-R	474256*		119659	CROSS	416294!	119951	GMC	417562
11894LUP	JN-MN	416664!		11933	C-R	474256*		119660	CROSS	415437	119952	GMC	415645!
11895	C-R	473205		11933	C-R	474256		119660	CROSS	415437!	119952	GMC	455104
1189686	CHRY5	450808		11934	C-R	474256*		119661	CROSS	415937!	1199596	GMC	331301N
1189686	DURA	450463		11934	C-R	474256		119662	CROSS	415379	1199777	GMC	7751H
1189686	SPICE	450808		11935	C-R	474256*		119662	CROSS	415379!	1199777MPM	GMC	7751H
1189726	CHRY5	413469!		11935	C-R	474256		119663	CROSS	417210!	1199A-1665	ROCKW	JV701
1189732	CHRY5	472179		11935A	C-R	471649!		119664	CROSS	417356!	1199A-3125	ROCKW	JV1101=
1189854	GMC	340724!		11937	US-EL	415498		119664	CROSS	455188	1199A-3329	ROCKW	JX1990=
11899	C-R	710068		1193752	CHRY5	470712!		119665	CROSS	417511	1199B-1614	ROCKW	JV701
118993H1	HOUGH	450084!		119393	GOODM	450593!		119666	CROSS	416891!	1199B-1666	ROCKW	370006A
118R	TIMKE	118PKG		119393	JEFF	450593!		1196668	GMC	473228!	1199B-3148	ROCKW	JV1122=
119	C-R	5585		1193965	GMC	5587		119667	CROSS	415196!	1199E-1669	ROCKW	JV753
1190	B-L-H	415090		1193965	WILYS	5587		119668	CROSS	416888!	1199E-2059	ROCKW	J1129
1190	C-R	415090		1194	ALOY	1952		119669	CROSS	416158	1199E-2527	ROCKW	J1134
1190	NATL	1955		1194	C-R	55218=		119670	CROSS	417247!	1199F3152	GAL	JV1126=
1190	NATL	52X65X9!		1194	NATL	33X50X12!		119671	CROSS	416167!	1199J-2428	ROCKW	J1197*=
1190	WMG	1955		1194	WMG	33X50X12!		119672	CROSS	415725!	1199J-2652	ROCKW	J1128
11904	C-R	5168		119427	EATON	9773		119673	CROSS	415645!	1199J-2652X	ROCKW	J1128
11904	CHRY5	471870!		119429	EATON	416654		119673	CROSS	455104	1199M3159	GAL	JV1132=
119049	OLIVE	470059		119430	EATON	412473		119674	CROSS	417254	1199P3162	GAL	JV1134=
119049	OLIVE	470380!		119431	EATON	415458		119675	CROSS	416666	1199P3164	GAL	JV1136
119049	WHITE	470059		119432	EATON	712937		119676	CROSS	415072	1199R3164	GAL	JV1136
119049	WHITE	470380!		1194359	GM	420		119677	CROSS	455480!	1199S-3139	ROCKW	JV1113=
11905	C-R	473205		119457	EATON	9773		119678	CROSS	415294!	1199T3166	GAL	JV1138=
11906	C-R	473205		119458	EATON	722250		119679	CROSS	417596	1199T3166	ROCKW	JV1138=
11907	C-R	473205!		1194581	GMC	7751H		119680	CLARK	415958	1199X3534	GAL	JV1355=
1191	NATL	52X72X8!		119459	EATON	712625		119680	CLARK	415958!	1199Z3146	GAL	JX1120
11911	C-R	472350!		1194729	HYST	471141!		119680	CROSS	417597	119B152	FED	473205
11912	C-R	415871		1194868	HYST	451082		119681	CROSS	415116	119E-70	HWY	415449!
119132	GAL	416239!		119487	HOUGH	416271!		119682	CROSS	415551	119E-9	HWY	472016
11914	C-R	474255*		119487	US-EL	471076		119683	CROSS	455406!	119E70	FWD	415449!
11914	C-R	474255		119488	HYST	240698		119684	CROSS	417600	119R	TIMKE	119PKG
11916	C-R	417606		119488	US-EL	472258!		119685	CROSS	415124	119T5	WHITE	472144!
11917	C-R	474255		1194A	MASSE	473214		1196856	GMC	331301N	11A1166	FED	416153!
11918	C-R	474255		1194RC	SUL	417513		1196857	GMC	331301N	11A1208	FED	417344!
1191888	CHRY5	412119		1195	TIMKE	1195		119686	CROSS	417604	11A1208	GMC	417344!
1192	TIMKE	1192		1195013	CHRY5	471689!		119687	CROSS	415128	11A1214	FED	417316!
11920	C-R	55222=		1195133	CHRY5	474278!		119688	CROSS	415090	11A1301	FED	471689!
1192109	CHRY5	410825		119516H1	HOUGH	455336		119689	CROSS	415219	11A1369	FED	410496!
11921P	IH	417604		1195497	GMC	473442!		11968SS	JN-MN	481644	11A1466	FED	6635S
1192233	CHRY5	416282		119573	CLARK	416657		119690	CROSS	417606	11A1480	FED	417134
11923	C-R	474254		119575	CLARK	416657		119691	CROSS	55223=	11A2139	FED	412119
11923	C-R	474254*		1195878	HYST	482310		119692	CROSS	417020	11A2398	FED	415023
11924	C-R	55223=		1195A-15	IH	471835!		119693	CROSS	353132	11A2399	FED	473447
11924	CHRY5	473204		1195A-16	IH	473228		119694	CROSS	471413	11A2520	FED	415001!
119243	UNIVE	450065		1195D1	WHITE	412027		119695	CROSS	471224!	11A2568	FED	415001!
119244	MICH	450065		1196	ALOY	1992		119696	CROSS	473231!	11A5167	FED	416288!
1192474	CHRY5	417316!		1196	TIMKE	1196		119697	CROSS	474276!	11A6070	FED	5408
11924LPD	JN-MN	471231!		1196233	CHRY5	415697!		119698	CROSS	471195!	11A6071	FED	470530!
11924LUP	JN-MN	471231!		1196233	CHRY5	455547		119699	CROSS	450400	11A6072	FED	472179
11925	C-R	474254		11962A	C-R	471224!		1197	NATL	223240	11A6109	FED	416738!
11925	C-R	474254*		119640	CROSS	471760		1197	NATL	32X48X8!	11A6109	FED	450096

! Industrial Size/Type * Minor Width Difference \$ F-M Number Is Part Of A Kit = Call 1-800-480-1212 for price and delivery.

NUMERICAL

Zero Duplication or Recommended		Zero Duplication or Recommended		Zero Duplication or Recommended		Zero Duplication or Recommended		
Mfr. No.	Name	Mfr. No.	Name	Mfr. No.	Name	Mfr. No.	Name	
11A6205	FED	473203	11X15910A JOHND	417563	12043247 GMC	9845	12115LDP JN-MN	415379
11A6240	FED	410825	11X15911A JOHND	416380!	1205 TIMKE	1205	12115LDP JN-MN	415379!
11A7033	FED	472164!	11X17X4 FORSH	11X17X4	1205-B-1250 ROCKW	386025A	121169 CLARK	JV1133=
11A7073	FED	472164!	11X17X4 SIMRT	11X17X4	1205-B-1250 ROCKW	416158	121194VB TRSCM	203016
11A7226	FED	417159	11X17X4SC TRSCM	11X17X4	1205375 HOUGH	417316!	1212 ALOY	1953
11A7227	FED	415137!	11X17X4TC TRSCM	11X17X4	1205B-366 ROCKW	B300	12121 C-R	203016
11A7227	FED	418028	11X22X7 FORSH	11X22X7	1205B2264 ROCKW	370001A	12122LDP JN-MN	455194*
11A8151	FED	471192	11X22X7 SIMRT	11X22X7	1205D-1850 ROCKW	370037A	12122LUP JN-MN	455194
11A8221	FED	473473	11X22X7SC TRSCM	11X22X7	1205E-1851 ROCKW	370036A	12123 C-R	450048
11A8285	FED	417487	11X22X7TC TRSCM	11X22X7	1205E-1851 ROCKW	370349A	12124 C-R	203025
11A8318	FED	473010!	11X24631A JOHND	417254	1205L-1260 ROCKW	370065A	12124LDP JN-MN	473421
11A8344	FED	470059	11X25647A JOHND	417621!	1205M-1469 ROCKW	370037A	12124LUP JN-MN	473421
11A8344	FED	470380!	11X26X7 FORSH	11X26X7	1205M-1469 ROCKW	370338A	12125 MICH	50010*
11A8426	FED	415988	11X26X7 SIMRT	11X26X7	1205N TIMKE	1205N	12125 UNIVE	50010
11A8486	FED	415960!	11X26X7SC TRSCM	11X26X7	1205P-1212 ROCKW	386025A	121250 MICH	450260
11A8558	FED	417355!	11X26X7TC TRSCM	11X26X7	1205P-1212 ROCKW	416158	121250 UNIVE	450260
11A8600	FED	5751	11X30X7AS ISP	11X30X7	1205Q2123 ROCKW	484206	121268 UNIVE	450073
11A8729	FED	473450	12-048027 FAIRB	473228	1205R2488 ROCKW	100067	121269 MICH	450073
11A8829	FED	50631	12-100210 TW-CO	415995!	1205X-752 ROCKW	6954S	121275 MICH	450284=
11A8921	FED	415458!	1200 C-R	5460	1206 ALOY	1196	121275 UNIVE	450284=
11A8942	FED	473231!	1200-12333LDP JN-MN	417608	1206 C-R	417505	121277 CLARK	476470!
11A8975	FED	415960!	1200-14671STLDP JN-MN	417608	12060LPD JN-MN	415284	121277 CLARK	476470
11A8982	FED	472144!	1200-3737LPD JN-MN	417608	12060LUP JN-MN	415284	1213 C-R	5495
11A8996	FED	470350!	1200-6951LPD JN-MN	417608*	12061 DGASK	35224	12130 C-R	450048
11A906	OSHKO	411253!	1200-9030LUP JN-MN	417608	120632H IH	5MR71	121305 CLARK	413247!
11A9083	FED	411500	120005 SPG	712111	12064 EATON	5M867	12131 C-R	450173
11A9110	FED	471766!	120017 SPG	712108	1206OS JN-MN	472636!	12133 C-R	450173
11A9210	FED	472636!	120051 C-R	417608	1207 C-R	370019A	1213305 CLARK	413247!
11A9248	FED	472394	1200530 C-R	417608	12070 JNISON	415984!	12133A VICK	417600
11A9249	FED	472016	1200580 C-R	417608	120728 GMC	418028	12134 C-R	450173
11A9250	FED	472394	120060 C-R	417608*	120728 GMC	455137!	12135 DGASK	16213
11A9260	FED	472636!	120061 C-R	417608	12075 BENDI	471442!	121374R91 IH	471787!
11A9327	FED	415449!	12006LPD JN-MN	470334!	12076LPD JN-MN	470954!	12137A HERCU	474278!
11A9419	FED	416654	12006LUP JN-MN	470334!	12076LUP JN-MN	470954!	12139 JNISON	416664!
11A9494	FED	416654	12007LPD JN-MN	473367!	12078LPD JN-MN	417596	1213N TIMKE	1213N
11A9506	FED	415449!	12007LPD JN-MN	473367	12078LUP JN-MN	417596	1213S TIMKE	1213N
11A9508	FED	472636!	12007LUP JN-MN	473367	1207N TIMKE	1207N	1214 C-R	417505
11A9508	NAPCO	472636!	12007LUP JN-MN	473367!	1208 C-R	370005A	1214 TIMKE	1214
11A9509	FED	415449!	12009 ONAN	450269	1208 SPG	48X72X7	12146 JNISON	415196!
11A9577	FED	415960	1201 C-R	J729+75251S	12082SB SPG	472082	121477R91 IH	410825
11A9655	FED	415041	12010 HERCU	412119	12089LPD JN-MN	415938*	121482 CASE	472015
11A9670	FED	472636!	12011 C-R	31X44X8	12089LUP JN-MN	415938	12149LPD JN-MN	415124*
11A9681	FED	410102	12011550 NOK	1953	1208RC SUL	471553!	12149LUP JN-MN	415124
11A9682	FED	470334!	12016 CLIMX	476838!	1209 ALOY	1178	1214N TIMKE	1214N
11A9767	FED	473367	120165H IH	412871!	12091 ONAN	470954	1215 C-R	370003A
11A9767	FED	473367!	120171 MINNM	470954!	12092 ONAN	471554!	12150A HERCU	471795
11AE-0210	WHITE	6638S	120171 OLIVE	470954!	120966 HOUGH	240735	12151VB TRSCM	240736!
11B10141	NAPCO	55357	1201K1 WHITE	323138!	12098A CONTI	455194	12151VB TRSCM	343186
11B2363	FED	416654!	1202 C-R	5462\$	120A04805 TROS	480821!	12152 C-R	450177
11B7096	FED	473228!	120243 UNIVE	473367!	120A05604 TROS	340413	12156LPD JN-MN	417504
11B8381	FED	370036A	120243 UNIVE	473367	120A1000.25 TROS	342517	12156LUP JN-MN	417504
11B8639	FED	472394	120244 MICH	473367!	120MF-23 MACK	730004	12158 JNISON	J1130
11B8943	FED	411253!	120244 MICH	473367	120R TIMKE	120PKG	12159LPD JN-MN	415937!
11BE0210	WHITE	370048A	120250 MICH	473010!	120X140X13SC TRSCM	120X140X13!	1215N TIMKE	1215N
11BE0210	WHITE	380048A	120250 UNIVE	473010!	120X140X13TC TRSCM	120X140X13!	1216 ALOY	1012
11BK126	MACK	415995!	120262 MICH	473232	120X145X12SC TRSCM	120X145X12!	1216 TIMKE	1216
11BMT267	MACK	411253!	120268 UNIVE	481864	120X145X12TC TRSCM	120X145X12!	12160 CALI	415577
11BMT340	MACK	417159	120269 MICH	481864	120X150X12SC TRSCM	120X150X12	12161VB TRSCM	240356!
11BMT343	MACK	415137!	120275 MICH	474274	120X150X12TC TRSCM	120X150X12	12161VB TRSCM	340356
11BMT343	MACK	418028	120275 UNIVE	474274	120X160X12SC TRSCM	120X160X12	12162SB TRSCM	474278!
11BMT422	MACK	417344!	120276 MICH	450275	120X160X12TC TRSCM	120X160X12	12162SB TRSCM	6859S
11C1677	FED	473215!	120287 MICH	473444	1210 C-R	417020	12162TF TRSCM	322353!
11C4202	FED	472016	120287 UNIVE	473444	1210 WMG	224015	12162TF TRSCM	323126
11CB-0210	WHITE	417254	120299 UNIVE	450415	12100 MICH	471103!	12162VTB TRSCM	474278
11CD0260	WHITE	370048A	120300 UNIVE	414268!	12100 UNIVE	471103!	12163LDP JN-MN	472012
11CD0260	WHITE	380048A	12030A HERCU	472179	1210076 TW-CO	413246	12163TB TRSCM	474278
11CH-0210	WHITE	370003A	12031A HERCU	417488!	121012 CLARK	7700S!	12163TM TRSCM	353135
11EHT271	MACK	472636!	120325 UNIVE	450467	121017H1 HOUGH	473231	12164SS JN-MN	487945
11EHT307	MACK	415449!	12032A HERCU	471224	12108 C-R	417570	12165 C-R	203025
11FT-B-0210	WHITE	5471	12033A HERCU	472439	1211 C-R	5481	121693 CLARK	472924!
11G3211	LEYLD	1097N	12034A HERCU	472492!	12110 JNISON	J1118	1216N TIMKE	1216N
11G3270	LEYLD	1097N	12038LUP JN-MN	471526!	12110 O-M	J1118	1217 C-R	5453

! Industrial Size/Type * Minor Width Difference \$F-M Number Is Part Of A Kit = Call 1-800-480-1212 for price and delivery.

Zero Duplication or Recommended		Zero Duplication or Recommended		Zero Duplication or Recommended		Zero Duplication or Recommended						
Mfr. No.	Name Industrial	Mfr. No.	Name Industrial	Mfr. No.	Name Industrial	Mfr. No.	Name Industrial					
12336358	GMC	473241	12371 C-R	PSK-1	12410 C-R	50445*	12437 C-R	471750				
12336T2	DIA	473234	12372 C-R	471413!	12410003	TROS	12439 C-R	471750!				
12337	C-R	474278	12372 C-R	7412S	12410802	TROS	124394	MIHLE	416891!			
12337860	GM	427RR	12373 C-R	471413!	12411 C-R	204029	124395	MIHLE	416657			
12337LUP	JN-MN	471281!	123767	CLARK	345035	12411 C-R	204507!	1244	ALOY	1188		
12338	C-R	474278!	123779	CLARK	415389	12416 C-R	471472!	1244	ALOY	224820		
12338023	GMC	710101	12379 C-R	471737=	124163	GOODM	471137	1244	ALOY	48X62X8!		
12338F	DIA	472636!	1238 C-R	HU011A	124163	JEFF	471137	1244	C-R	4561V		
1234	WHITE	471643!	12380 C-R	471737	124164	GOODM	473215!	1244	C-R	5602		
12340	C-R	471413	123805R91	IH	370020A	124164	JEFF	473215!	12440	C-R	471750!	
1234003	CATER	415995	123805R91	IH	415351!	124165	GOODM	470334!	12441	C-R	471766!	
123409	CLARK	416158	12381 C-R	471737	124165	JEFF	470334!	12441	LPD	JN-MN	471567	
12341	C-R	474278!	12383 C-R	471737	124166	GOODM	415960!	12442	C-R	471766!		
12342	C-R	474278!	12384 C-R	471737	124166	JEFF	415960!	12442	FUNK	415449!		
12343	C-R	471413	12384477	GMC	472572	12416M1	C-R	471472!	124429	CLARK	3016	
12344	C-R	353135	123848	CLARK	370012A	12418 C-R	471535!*	12443	C-R	471766!		
12344	C-R	474278!	12385 C-R	471737=	12385 C-R	471737=	473405*	124430	CLARK	417545		
1234498	GMC	712146	12386 C-R	471737	12386 C-R	471737	8835S	124431	CLARK	416112		
12346	C-R	474278!	12387291	GMC	4525V	12387291	GMC	4525V	12444	CHAMP	471267!	
1234705	BENDI	471442!	12389 C-R	471737=	12389 C-R	471737=	415284	124443	MIHLE	470625!		
1234727	BENDI	471224!	1238D	CALI	416008	1242	CALI	417604	124445	CLARK	JV1869=	
1234835	BENDI	6863S!	1239	ALOY	1180	1242066	GMC	2043	12445	C-R	471766	
1234836	BENDI	471535!	12392	C-R	PSK-1	1242067	GMC	2043	12446	C-R	471766	
123486	CLARK	471272!	123947	CLARK	JV1136	1242068	GMC	2043	124464R91	IH	412871!	
1234885	BENDI	470954!	12396	C-R	3199*	12422	C-R	471538!*	12447	C-R	471766!	
1234896	BENDI	410496!	12398	C-R	203012*	12423	C-R	470506!	12448	C-R	471766!	
1234899A	BENDI	471344	12399	C-R	203012	124234	CLARK	416332!	124480	CLARK	370082A*=	
12349	C-R	240356	123G63-99	GR-DV	471766!	12423LUP	JN-MN	416039	1245	C-R	5603	
1235	ALOY	1179	123R	TIMKE	123PKG	124250	MICH	472164!	12450	C-R	471766!	
1235	CALI	50631	1240	C-R	5406	124250	UNIVE	472164!	12453	C-R	471766!	
12350	C-R	322353*	12400	C-R	6906S	124256	UNIVE	472193!	124536R91	IH	410308!	
12350	C-R	323126	1240037843	COLLS	472179	12426	C-R	471539!	12454	C-R	471766!	
12350	C-R	474278!	12401	C-R	471750!	124262	MICH	472185!	12456	C-R	471766!	
123507XX	TIMKE	12X35X7	124025	CLARK	417283	124268	UNIVE	470334!	12458	C-R	471766*	
12351	C-R	474278!	124026	CLARK	JV1190=	124269	MICH	470334!	12458	C-R	471766!	
12351	C-R	6859S	12403605	TROS	471551!	12427	C-R	471750!	12461	C-R	471766!	
12355	C-R	471413!	12403806.5	TROS	476470	124275	MICH	472179	12461	DIVCO	470954	
12355	C-R	7412S	12404	C-R	203029	124275	UNIVE	472179	124633R91	IH	471570	
12355	C-R	PSK-1	12404004	TROS	471255!	124276	MICH	473447	12464	C-R	471766!	
1235500	DRESS	471765!	12404006	TROS	471255!	124278	MICH	470334!	12466	C-R	471766*	
123550005	EL-MO	471765!	124040065	TROS	471255!	124278	MICH	50289	12466	C-R	471766!	
12356	C-R	7412S	12404205	TROS	481073	124278	UNIVE	470334!	12467	C-R	471766*	
12357	C-R	471413	12404404	TROS	471553!	124278	UNIVE	50289	12467	C-R	471766!	
12357LDS	JN-MN	415263	12404406.5	TROS	471553!	12428	C-R	471750!	12469	C-R	471766*	
12358	C-R	471413!	12404804	TROS	471554!	124287	CLARK	416921=	12469	C-R	471766!	
12359	C-R	471413!	12404808.5	TROS	471554!	124287	MICH	471141!	12471686	GMC	4762N	
1235A	CALI	412943	12405	C-R	471750!	124287	UNIVE	471141!	12472	C-R	471766*	
1236	C-R	HU012A	12405004	TROS	481443!	12429	C-R	471750!	12472	C-R	471766	
12360	C-R	712025	12405006	TROS	481443!	124299	UNIVE	473448	12473	C-R	471766*	
12361	C-R	471413*	12405006.5	TROS	481443!	1243	C-R	100495	12473	C-R	471766	
12361	GMC	471413	12405006.5NA	TROS	481443!	1243	C-R	5601	12475	C-R	471766	
1236163	GMC	2689S	12405204	TROS	471231!	124300	UNIVE	471984	12478060	GMC	470530	
1236164	GMC	2689S	12405205	TROS	471231!	124306	MICH	473313	12480	C-R	471766	
1236165	GMC	2689S	12405206.5	TROS	471231!	124306	UNIVE	473313	12480L	IH	450593!	
12362	C-R	471413!	12405604	TROS	471267!	124310	CLARK	JV1140=	12481	C-R	471766	
12363	C-R	471413!	12405605	TROS	471267!	124318	UNIVE	470088	12481LUP	JN-MN	416077	
12363	C-R	7412S	124056065	TROS	450398	124319	MICH	470088*	12482	C-R	471766	
1236324	GMC	2043	124056065	TROS	471267!	12432	C-R	471750	12483	C-R	471766=	
12364	C-R	471413!	12405608	TROS	471267!	124325	CLARK	370078A*	12484	C-R	471766*	
12364LPD	JN-MN	472020	12406	C-R	471750!	12433	C-R	471750	12484	C-R	471766	
12365	C-R	471413	12406004	TROS	340787	124331	CLARK	J1138	12485	C-R	471766*	
12365LUP	JN-MN	417598	124063	CLARK	JV1139=	124337	ISL	MICH	210945	12485	C-R	471766
12366	C-R	471413!	124065	CLARK	417555!	1243396	GMC	473179	124891620	TROS	8996S=	
12366	C-R	7412S	12406LPD	JN-MN	471645	1243397	GMC	473179	12489LUP	JN-MN	471270!	
123668	CLARK	JV1128=	12407	C-R	204507!	1243400	GMC	9613S	1249-026	PYUNG	225225	
12366LPD	JN-MN	417351!	12407	C-R	471750	1243402	GMC	9613S	12491	C-R	471787	
12367LPD	JN-MN	417543	12407LPD	JN-MN	473238!	1243465	GMC	2043	12492	C-R	471787	
12368	C-R	471413!	12409LPD	JN-MN	415697!	1243467	GMC	2043	12494	C-R	223255	
12369	C-R	471413	12409LPD	JN-MN	455547	12436	C-R	471750	12494LPD	JN-MN	415984!	
1237	ALOY	1181	12409LUP	JN-MN	415697!	1243658	CHRYS	5401	124973	CLARK	417602!	
12370	C-R	471413!	12409LUP	JN-MN	455547	1243659	CHRYS	5403	124974	CLARK	JV1669=	
12371	C-R	471413!	1241	ALOY	224015	1243660	CHRYS	5405	124R	TIMKE	124PKG	

! Industrial Size/Type * Minor Width Difference = Call 1-800-480-1212 for price and delivery.

Zero Duplication or Recommended		Zero Duplication or Recommended		Zero Duplication or Recommended		Zero Duplication or Recommended		
Mfr. No.	Name	Mfr. No.	Name	Mfr. No.	Name	Mfr. No.	Name	
125012	CUMMI	415458!	125398 CLARK	JV1130=	12582 C-R	7686S*	126276 MICH	480281!
125012	OLIVE	415458!	1254 ALOY	1214	12583 C-R	471801	126287 MICH	473450
125020	CLARK	417385=	1254 LEROI	473215!	12584 C-R	471801	126287 UNIVE	473450
125020	MIHLE	455576!	12540 NAPCO	416125!	12586 C-R	471801!	126299 UNIVE	450193=
12504	C-R	471787	12541 JOHND	417316!	125880 GMC	417262!	1263020 CHRYS	5401
12506	GW	413247!	125412 BENDI	471466!	1259 LEROI	450089	1263021 CHRYS	5403
12508	C-R	471787	12544 LEROI	471554	12590 C-R	8293S*	1263022 CHRYS	5405
1251	ALOY	1213N	12544075 GMC	4813V	12590 LEROI	471442!	12631 C-R	471407*
12510	C-R	50445	12545 C-R	471795	125904 CLARK	417433=	126318 UNIVE	450090
125101	NAPCO	472439	12545 GW	417316!	125954 CEMAC	471554!	126319 MICH	450090
125117	NAPCO	470898	12546240 GMC	417505	12596 C-R	471801	12636 GW	470712!
12513	LEROI	471554!	12547 C-R	450177*	12597 C-R	471801	1263697 CHRYS	6270
12513-1	LEROI	471554!	12547 NAPCO	471341!	125A24 C-R	470954	12637 C-R	471833*
125133	LEROI	240319	12548 C-R	450177*	125A848AE1 GE	350364	12638 C-R	481833V
12514	GW	472016	12549 C-R	471795	125A848AE11 GE	472951	12638LPD JN-MN	55524
125142	LEROI	6759S	12549329 GMC	416288	125A848AE11 GE	474252	1264320 KEN	473243
12516	C-R	471472	12550 C-R	471795	125A848AE16 GE	450398	12650 HEIL	471466!
125162	UNIVE	50266	12550574 GMC	100085	125A848AE16 GE	471267!	1265068 CHRYS	472636!
12516M1	C-R	471472	12551 C-R	471795!	125A848AE2 GE	330385!	126537 C-W	471596
12516M1	HU-WR	471472!	12551 NAPCO	470898!	125A848AE3 GE	471103!	12654LPD JN-MN	417210!
12517	LEROI	450033	12552 C-R	471795	125A848AE4 GE	320457	12655 C-R	451845
12518	C-R	471535!	12552 LEROI	450803	125A848AE5 GE	471472!	1266 ALOY	3395
12519	C-R	473405	12552 NAPCO	415483!	125A848AE6 GE	472705!	1266-D6 REO	370023A
125192VB	TRSCM	204507!	12552219 GMC	5279	125A848AE7 GE	471255!	12660 C-R	450341
125195	CLARK	370039A	12552427 GMC	100058	125A848AE9 GE	470954!	126643 OLIVE	471141!
1252	CLIMX	450655=	12552428 GMC	100058	125A848AF1 GE	472843	12666 CHAMP	416345!
1252	LEROI	450655=	12552A C-R	471689!	125A848AF2 GE	471763	12668 C-R	710410
12522	C-R	471538!	12553 C-R	471795	125A848AF3 GE	470590	1266810 CHRYS	6635S
12522	LEROI	411253!	12555767 GMC	600305	125A848AK5 GE	471472!	126691 AM WH	471649!
12523	C-R	470506	12555769 GMC	5512	125A848BC1 GE	473237!	12670 C-R	470806
125236	LEROI	6489	12556107 GMC	710262*	125A848BC2 GE	471564	1267215 CHRYS	6638S
125238	LEROI	204035	12556355 GMC	710262*	125A848BF1 GE	473454	12673 C-R	470806*
125238	WABCO	204035	12557688 GMC	100085	125A848BF2 GE	471766!	12673 CHAMP	415027
12523M1	C-R	470506	12558-1 LEROI	415001!	125A848BJ2 GE	6668S	12673 CHAMP	415027!
125248	CLARK	8126S	125584 HYST	415725!	125A848BJ4 GE	471267!	12673 DOMIN	415027
12526	BU-SP	471267!	12559 C-R	1070=	125A848BR1 GE	471255!	12675LPD JN-MN	50560
12526	C-R	471539!	12559-1 LEROI	415960!	125AM24 C-R	470954	126769 HYST	40627S=
12526	LEROI	240319	1255938 GMC	712146	125AMM24 C-R	470954	12677 C-R	453279
125262	MICH	50266	1256 LEROI	470059	125AMM24Q6Y2 C-R	470954	1267752 CHRYS	5406
125262H1	HOUGH	470898	1256 LEROI	470380!	125E22 EATON	JV1277=	1267753 CHRYS	5406
125268	UNIVE	450269	125625 CLIMX	417254	125G24 C-R	470954!	12677LDS JN-MN	415937!
125269	MICH	450269	125625 WAUKE	417254	125HD24 C-R	470954!	12678 C-R	453279!
12526C	MASSE	5M643	12564LDS JN-MN	471567!	125HD24-Q6 C-R	470954!	12678LPD JN-MN	452742
12526M1	C-R	471539!	12565 C-R	471795	125HM24 C-R	470954!	126797 AM WH	417497
12527	C-R	471787!	12565LDS JN-MN	415991	125R TIMKE	125PKG	1268-D6 REO	370019A
12527	LEROI	470590	12565LDS JN-MN	415991!	125W225 CONE	5166	126839 OLIVE	470774!
12527	NAPCO	480630!	125663 HYST	473367	125X150X12SC TRSCM	125X150X12!	12685 C-R	8429S
125275	MICH	450285	125689 HYST	417350!	125X150X12TC TRSCM	125X150X12!	12687 AM BR	471760
125275	UNIVE	450285	12569 C-R	471795	125X155X12ASN ISP	125X155X12	12688 C-R	8429S
125276	MICH	471866!	125694R91 IH	470954	125X155X12ASN(32) ISP	125X155X12	1269681 CHRYS	472636!
12528	C-R	471787!	12570 C-R	471795	125X160X12SC TRSCM	125X160X12!	12697 C-R	32X42X8!*
12528	LEROI	481073	125710 HYST	471554!	125X160X12TC TRSCM	125X160X12!	12697 C-R	710282*
12528LPD	JN-MN	472572!	125716 CUMMI	471141!	1260 ALOY	482126	12698 C-R	223215
12529	C-R	471787	125716 OLIVE	471141!	12600 C-R	471801=	126R TIMKE	126PKG
12529	LEROI	240462	125722 CUMMI	472144!	12606 BU-SP	416125!	12700 C-R	223215*
12529	NAPCO	411330!	125722 OLIVE	472144!	126107C1 IH	470712!	12700 C-R	32X42X7
12530	C-R	471787*	12574 BU-SP	415035!	1261171 CHRYS	470774!	12700 C-R	32X42X8!*
12530	LEROI	471255!	12574 C-R	471795	12613 C-R	471808!*	127006 ALLCH	416339
12530	NAPCO	472394	125742 CLARK	415035	12614 C-R	471808!*	127006 ALLCH	455031!
12530L	IH	450129	12575 BU-SP	476470	12615 C-R	471808!	1270137 CHRYS	417267
12530L	IH	472826!	125769 CLARK	370109A*	126150 BENDI	351487	12705 C-R	223220
12531	NAPCO	410496!	12577 BU-SP	415116	126158 OLIVE	471689!	12706 C-R	223220
125318	UNIVE	450089	12577 C-R	471801!	12616 C-R	471808!	127063 HOUGH	412119!
125319	MICH	450089	12578 BU-SP	417562	12621 C-R	471818*	127063H1 IH	412119
12532	C-R	471795	125784 ALLCH	415041	126214C91 IH	481163!	1270786 CHRYS	370036A>
12532	NAPCO	471391!	12579 C-R	471801!	12622 C-R	471818	1270786 CHRYS	370349A%
12533	LEECE	471255!	1257G OSHKO	415988	126262 MICH	472070	12709 C-R	223230
12534	C-R	450177	1258 LEROI	473367!	126262 UNIVE	472070	12709 C-R	32X45X7!
12535	C-R	450177	1258 LEROI	473367	126268 UNIVE	471866!	12710 C-R	223230*
12535	LEECE	450593!	12581 FULLE	484064V	126269 MICH	471866!	12710 C-R	32X45X7!
12536	C-R	450177	12581 KINNR	471571	126275 MICH	473449	12711 C-R	223230
12539	NAPCO	353141!	12582 C-R	42081S!	126275 UNIVE	473449	12711 C-R	32X45X7!

! Industrial Size/Type * Minor Width Difference > Hub Mount % Spindle Mount = Call 1-800-480-1212 for price and delivery.

NUMERICAL

Zero Duplication or Recommended		Zero Duplication or Recommended		Zero Duplication or Recommended		Zero Duplication or Recommended					
Mfr. No.	Name Industrial	Mfr. No.	Name Industrial	Mfr. No.	Name Industrial	Mfr. No.	Name Industrial				
127144	HOUGH	410524	12782	C-R	32X62X8	12859	FULLE	472560N	1296879	GMC	40370S
127144H1	HOUGH	410524	127832	CLARK	3369 * =	12861	LPD JN-MN	415284	1296913	GMC	40286
127145R91	IH	240733	127891	CLARK	416556!	12865	C-R	473211!	1296A3	WHITE	472157
12718	C-R	223235	127891	CLARK	472157	12866	C-R	473211!	129717	GMC	416158
12718LPD	JN-MN	415832	1279	ALOY	5697	12866	JOHND	471612	12980	LISLE	RD2001
12719	C-R	223235*	12790	C-R	32X72X8	1287	ALOY	1884	12981	TMTR	471504!
12719	C-R	32X46X6!*	127920	LEYLD	471192	1287002	GMC	5M81	129828R91	IH	473460
1272	ALOY	442874	127968R91	IH	5778	12876LUP	JN-MN	471255!	12984	OLIVE	473215!
12725LPD	JN-MN	480491*	127979R91	IH	40185	12877	C-R	473212!	129851	GOODM	417485
127262	MICH	473451!	127989	CLARK	416271 * =	12878	C-R	473212!	129851	JEFF	417485
127275	MICH	473452	127R	TIMKE	127PKG	1288	ALOY	225230	129852	GOODM	416738!
127275	UNIVE	473452	1280	ALOY	5604	128819	C-W	330385!	129852	GOODM	450096
127287	MICH	473453	12800	AMBR	473464!	12883	C-R	710328*	129882	GOODM	473229
127287	UNIVE	473453*	12800	AMBR	473464	12883	FULLE	471224	129882	JEFF	473229
1273	ALOY	1217	128047R91	IH	415458!	128847	EATON	370001A	129899	GOODM	415001!
12730	C-R	32X47X7!*	1281	ALOY	3622	128847	EATON	380001A	129899	JEFF	415449!
12730	C-R	3476*	1281	C-R	HU070A	12886	C-R	223340	129915	ALLCH	417316!
12730	C-R	710310*	12810	C-R	710070	128861	EATON	370003A	12993	JNSON	J1103
1273095	CHRY	6597S	12810004	TROS	472311!	128861	EATON	380003A	129935	GOODM	415960
12731	C-R	3476	128117	CLARK	370051A	1289	ALOY	4160	129935	JEFF	415995!
12732	AIRCO	340823	128119	HYST	473237!	128918	DURA	471766!	129936	HYST	471835!
12733	C-R	3476	12812	C-R	223235	128918	FORD	471766!	129941	ALFAR	713016
12733	C-R	710310	12815013A	HARWA	128X150X15	128943	CLARK	3594 * =	129945	GOODM	471354!
12734	C-R	32X48X8!	12819	C-R	51032S	128945S	JN-MN	473224!	129R	TIMKE	129PKG
12735	C-R	223240*	1282	C-R	H075	128953H	IH	450084!	12A10039	NAPCO	6638S
12735	C-R	32X48X8!	12820	C-R	470050*	128R	TIMKE	128PKG	12A2500	MINNM	472492!
12737	C-R	32X52X7V	128203TB	TRSCM	353137	128X150X15	SIMRT	128X150X15	12A500	MINNM	472492!
12738	C-R	32X50X8!*	128203TB	TRSCM	473424!	128X150X15SC	TRSCM	128X150X15	12A7000	FED	470088
127381R1	IH	40185	12821	C-R	470050	128X150X15TC	TRSCM	128X150X15	12A7050	FED	472924!
12739	C-R	710164*	12822	C-R	470050	1290	ALOY	225110	12A7106	FED	5M466
12740	C-R	32X50X8!	12823	C-R	470050	12900	C-R	1168	12A7123	FED	450467
12740	C-R	710164	128233R91	IH	451948	12900	C-R	33X50X12!	12A7823	FED	5MR71
12741	C-R	710164	128234R91	IH	451948	12901	C-R	1168*	12A8121	FED	471316
12742	C-R	223255	128262	MICH	472439	12901	C-R	33X50X12!*	12H5079	ROVER	712134
12742	C-R	32X52X7!	128262!	MICH	40071S	12901	JNSON	472179	12QD282	MACK	JV1850=
12743	C-R	32X52X7V	128262SL	MICH	472439	12905	C-R	471193	12X14333A	JOHND	416404!
12744	C-R	223255	128269	MICH	471868	129054	US-EL	471141!	12X14346B	JOHND	471866=
12744	SPICE	470950!	128275	MICH	472572!	12907	C-R	3348	12X14360A	JOHND	473227!
12744	SPICE	6241S	128275	UNIVE	472572!	12909E	OSHO	475348N	12X15982A	JOHND	472258!
12745	C-R	223255*	128276	MICH	473179!	12909F	OSHO	475348N	12X19X5SC	TRSCM	12X19X5
12745	C-R	32X52X7!*	128278	MICH	414045!	1290K1	WHITE	450400	12X19X5TC	TRSCM	12X19X5
12746	C-R	223252*	128278	UNIVE	414045!*	1291	ALOY	225020	12X20X5	FORSH	12X20X5
12747	C-R	223253	12828	LEROI	481073	12910	C-R	471193	12X20X5	SIMRT	12X20X5
12748	C-R	710306	128287	MICH	473238	12912	C-R	710132	12X20X5SC	TRSCM	12X20X5
12749	C-R	223240	128287	UNIVE	473238!	1292	ALOY	226285	12X20X5TC	TRSCM	12X20X5
12751	C-R	2008	128299	UNIVE	450084!	129220	US-EL	340356	12X22X7SC	TRSCM	12X22X7!
127513C1	IH	471787!	12830	C-R	473424!	12925	C-R	710043	12X22X7TC	TRSCM	12X22X7!
12752	C-R	32X50X8!	128300	MICH	450084!	12929LUP	JN-MN	417601	12X24X7	FORSH	12X24X7
127540	C-R	325940=	128300	UNIVE	473239	129303H	IH	472636!	12X24X7	SIMRT	12X24X7
12755	C-R	32X55X10	128301	MICH	473239	12934SS	JN-MN	481534	12X24X7SC	TRSCM	12X24X7
12755	C-R	451845	128306	MICH	473457!	129370	HOUGH	412119	12X24X7TC	TRSCM	12X24X7
127594H1	HOUGH	240151	128306	UNIVE	473457!*	129386	JEFF	416339	12X25X5ASN(32)	ISP	12X25X4.5
1276	ALOY	415960	12830LPD	JN-MN	473211!	129386	JEFF	455031!	12X25X7SC	TRSCM	12X25X7
12760	C-R	32X56X10!*	128312	UNIVE	473240!	129387	JEFF	476838!	12X25X7TC	TRSCM	12X25X7
12763	C-R	223275	128318	UNIVE	473458!	1294	ALOY	223605	12X26X7SC	TRSCM	12X26X7
12763	C-R	32X56X10!	128319	MICH	473458!*	12940A	HERCU	415991	12X26X7TC	TRSCM	12X26X7
12764	C-R	223275	12831STLPD	JN-MN	415219	129418R91	IH	5778	12X28X7SC	TRSCM	12X28X7
12764	C-R	32X56X10!	12832	FULLE	473473	129419R91	IH	5778	12X28X7TC	TRSCM	12X28X7
12765	C-R	32X58X8!	12833	C-R	473424!	129473	JEFF	411253!	12X30X7SC	TRSCM	12X30X7
12766A	C-R	415137!	12834	C-R	473424!*	129474	JEFF	415001!	12X30X7TC	TRSCM	12X30X7
12766A	C-R	418028	1284	ALOY	444116	129498	HYST	200870	12X32X7	FORSH	12X32X7
1277	ALOY	1973	128400	CLARK	415458	129499	HYST	JV980=	12X32X7	SIMRT	12X32X7
12770	C-R	32X60X10!*	128401	CLARK	416921	1294991	GMC	8660S	12X32X7SC	TRSCM	12X32X7
12770	C-R	32X60X8!	12842LDS	JN-MN	471272!	129503R91	IH	471267!	12X32X7TC	TRSCM	12X32X7
1277110	BENDI	471689!	128434	GMC	471270!	12951	DIA	5M867	12X35X7SC	TRSCM	12X35X7
127719	EATON	416654	1285	ALOY	2002	12951	EATON	5M867	12X35X7TC	TRSCM	12X35X7
127720	EATON	415458	1285-043	PYUNG	223606	1295A3	WHITE	412119!	1300	ALOY	1165
127721	EATON	9773	12852	C-R	450124=	1296	F-R-H	472287!	1300-044-001	WARNR	330385!
1277238C1	IH	370082A=	12853	C-R	450124=	129611	C-R	415482	1300-044-009	WARNR	714503
12772LUP	JN-MN	415294!	128576	CLARK	415960	129636	GOODM	473225!	1300-044-011	WARNR	710402
12773LPD	JN-MN	417539!	12857G	CLARK	415960!	129636	SUL	473225!	1300-044-012	WARNR	7692S
12780	C-R	32X62X8	12859	C-R	473421	1296810	GMC	40369S	1300-044-014	WARNR	4503N

! Industrial Size/Type * Minor Width Difference = Call 1-800-480-1212 for price and delivery.

Zero Duplication or Recommended		Zero Duplication or Recommended		Zero Duplication or Recommended		Zero Duplication or Recommended	
Mfr. No.	Name	Mfr. No.	Name	Mfr. No.	Name	Mfr. No.	Name
1300-044-015	WARNR 7412S	130300	MICH 473460	130583	SPG 6X16X7	13121	CHRY5 3173
1300-044-019	FORD 710426	130300	UNIVE 472394	13059	VIC H075	131210	EMSCO 417548
1300-044-019	WARNR 710426	130301	MICH 472394	13059LUP	JN-MN 471466!	131211	EMSCO 417082
1300-044-020	FORD 710431	1303012	CLARK 471442!	1306	C-R 370046A	131213TB	TRSCM 473211!
13000	VIC HU019A	130303	ATHEY 415995!	1306	C-R 5100	131223SB	TRSCM 473212!
1300016002	WARNR 4503N	130306	ATHEY 417488!	13060	C-R 472826!*	131274R91	IH 415991
130003	SPG 712105	130306	MICH 473461!	13061	VIC HU037A	131274R91	IH 455146!
130005H1	IH 417351!*	130306	UNIVE 473461!*	130612H	IH 471570!	131280	EMSCO 417354!
13001	CHRY5 472179	130312	UNIVE 471391!	13062	VIC HU039A	131281	EMSCO 417354!
1300113212	TROS 415077	130313	MICH 471391!	13062LPD	JN-MN 473413	1312866	CLARK 40520S
130013	SPG 313842	1303139C91	IH 470898	13063T	JOHND 471466	131287	UNIVE 450474*
130018R91	IH 415449!	130315	ATHEY 417485	13064	VIC HU065A	131299	UNIVE 50528
13002	VIC HU007A	130318	UNIVE 473462	130643	LEVLD 1035=	1312RC	SUL 418028
130028	SPG 221207	130319	MICH 473462	130645R91	IH 471267!	1312RC	SUL 455137!
13003	VIC HU008A	1303281	EATON J1114=	13066LPD	JN-MN 224570	131308H	IH 471103!
130031	SPG 221735	13033	C-R 473422	13066LPD	JN-MN 45X72X12!	13135LPD	JN-MN 481537
130047	SPG 223510	13033	VIC HU070A	13067	VIC HU149A	13140	C-R 473212!
130048	JEFF 410694!	130331	ATHEY 455024	130671H	HOUGH 471341!	13143	DIA 6090S
13005	C-R 710124	130334	ATHEY 471791	1306742	GMC 470530!	13143	EATON 6090S
13005	VIC HU011A	130334	ATHEY 456585	1306743	GMC 450307	131484R91	IH 417484!
13006	VIC HU012A	130337	ATHEY 415025	13068	VIC HU149A	131526	SPERY 415960
130061	ALLCH 417171!	130342	ATHEY 415991	13068LPD	JN-MN 471567!	1315476	CHRY5 5406
13007	VIC HU013A	130342	ATHEY 455146!	1307	C-R 5649	13157	C-R 40769S
130078	SPG 6815	130354	MICH 417474*	13070	C-R 472826	131575	HOUGH 471224!
13008	VIC HU014A	13037	C-R 473210	13070	CHRY5 473457!	131575H1	HOUGH 471224!
130093	SPG 4175	130370	GOODM 455008	13071	C-R 472826!	13158	C-R 40769S
130096	SPG 2027	1303701	ATHEY 471341!	13071	VIC HU036A	13159	C-R 40769S
130102	GOODM 471787!	130375	ATHEY 473661	13073	ATHEY 471224!	13160LPD	JN-MN 90X120X12
130108	ATHEY 471765!	130376	US-EL 416107!	130731	US-EL 470625!	13163LPD	JN-MN 471526!
130117	ATHEY 471750!	130376	US-EL 455073	13074	ATHEY 471649!	13164	C-R 5131
130122	ATHEY 471801!	130377	US-EL 415379	130748	US-EL 473016!	13165	C-R 5131
130137	ATHEY 450054	130377	US-EL 415379!	13075LUP	JN-MN 418028	13166E	JOHND 204002
130141	ATHEY 473215!	130380	ATHEY 415187	13076	C-R 473421	1316788	CHRY5 470954!
13015	C-R 240716	130388	ATHEY 417223	13077	C-R 473421	13168	C-R 5131
1301588	ATHEY 473440!	13039	C-R 472826	1308	C-R 370023A	1316815	CHRY5 411
130169	SPG 350435	13039	VIC HU110A	1308	C-R 5667	13169	C-R 40769S
13017	TLSMI 471758=	13040	C-R 472826	1308107	CATER 39889	131704	HOUGH 471760
13017	VIC HU024A	13043	VIC HU005A	13083	C-R 473421*	131704H1	HOUGH 471760
13018	TLSMI 416888	130437	ATHEY 417538	13084	C-R 473421*	13170X	MASSE 471735
130189	HOUGH 418028	13044	FULLE 418028	1308521	ALLCH 417562	13171VB	TRSCM 340853
13019	TLSMI 416624	13044	FULLE 455137!	13091	C-R 473211!	13172LDS	JN-MN 416888!
13019	VIC HU028A	130447	ATHEY 416865!	13092	C-R 473211!	13173LDS	JN-MN 416156
130199	ATHEY 472185!	130448	ATHEY 417546!	13093	C-R 473211!	13175	C-R 40769S
13020	C-R 6370N	13044LPD	JN-MN 25X47X7	13097	NAPCO 417513	13177B	MASSE 450129
13020	VIC HU028A	13045	VIC HU019A	13098	NAPCO 417554!	13177B	MASSE 472826!
1302012	CLARK 471442!	130454	ATHEY 416476!	130981	ATHEY 471692!	13178B	MASSE 473225!
130204	ATHEY 471141!	130455	ATHEY 415072	13099	ATHEY 472185!	13179	C-R 40769S
130205	ATHEY 473313	130457	SPG 320457	130R	TIMKE 130PKG	13182SB	TRSCM 323138!
130206	ATHEY 470088	13046	VIC HU036A	130X160X12SC	TRSCM 130X160X12	13183P	ITM 1012
13021	C-R 6370N	13048	VIC HU031A	130X160X12TC	TRSCM 130X160X12	13183P	ITM 1012N
130228	ATHEY 472439	13049	VIC HU036A	130X160X15SC	TRSCM 130X160X15	13183P	ITM 45X62X8!
13023	VIC HU034A	1304OS	JN-MN 417600*	130X160X15TC	TRSCM 130X160X15	13183PSL	TRSCM 6370N
130233	ATHEY 473238	1305-D6	REO 370030A	130X170X12	ISP 130X170X12	131872SB	TRSCM 472354
130236	ATHEY 473457!	13050	C-R 472826!	130X170X12(35)	ISP 130X170X12	131872SB	TRSCM 484156V!
13024	VIC HU042A	13050	VIC HU066A	130X170X15SC	TRSCM 130X170X15	131872VB	TRSCM 472354!
1302481	ATHEY 471391!	1305044	GMC 587	130X170X15TC	TRSCM 130X170X15	131872VB	TRSCM 484156V
13025	VIC HU044A	1305044	GMC 710163	131-405-641A	VW 1165	131872VL	TRSCM 472354
130250	ATHEY 470530!	13051	C-R 472826!	1310194	GMC 340724!	131872VSB	TRSCM 484156V
13026	VIC HU009A	13051	VIC HU057A	13103	C-R 473211!	131873TB	TRSCM 472354!
130268	ATHEY 413469!	13052	C-R 472826!	13104	C-R 473211!	131876R91	IH 472394
13027	C-R 473423*	13052	VIC HU058A	13106C	MASSE 415001!	13189	C-R 473213!
130271	ATHEY 472636!	130528	SPG 370023A	1311035	WOOL 415379!	1318929	GMC 472164
130272	ATHEY 411253!	130528	SPG 5667	1311035	WOOL 415379	1318RC	SUL 415988
130278	ATHEY 416444	130534	HOUGH 472924!	13111	C-R 473212!	13190	C-R 473213!
130279	ATHEY 412119!	130534H1	HOUGH 472924!	131116	C-R 415076*	13192TB	TRSCM 1987
130287	MICH 472144!	13053RD	ITM 222860	13111C	MASSE 415085!	131932R91	IH 472394
130287	UNIVE 472144!*	13053RD	ITM 28X47X7!	13111C	MASSE 456648	13193PSB	TRSCM 482163!
130289	ATHEY 415458!	13055	VIC HU036A	13112	C-R 473212!	131955PTZ	TRSCM 2443
130294	ATHEY 417316!	13057	VIC HU110A	131201	EMSCO 473205	13195F	IH 473225!
130295	ATHEY 415960!	130575	SPG 24X37X7	131203SB	TRSCM 472826!	13195G	IH 473225!
130299	UNIVE 473460	130578	SPG 222242	131203TB	TRSCM 472826!	13197	DIVCO 340797
1303	C-R 5666	13058	VIC HU008A	131206	EMSCO 473473	131983SA	TRSCM 482163

! Industrial Size/Type * Minor Width Difference = Call 1-800-480-1212 for price and delivery.

Zero Duplication or Recommended		Zero Duplication or Recommended		Zero Duplication or Recommended		Zero Duplication or Recommended	
Mfr. No.	Name	Mfr. No.	Name	Mfr. No.	Name	Mfr. No.	Name
1319RC	SUL	415379	13233SB TRSCM	473215!	133R	TIMKE	133PKG
1319RC	SUL	415379!	13233SB TRSCM	473215!	134102	JEFF	471255!
131R	TIMKE	131PKG	13233TB TRSCM	473215!	13414LUP	JN-MN	471349!
132	C-R	BS5974	13234VHY TRSCM	204027	134154	US-EL	471571
13200	C-R	473213!	13241LDS JN-MN	476470	13418	C-R	5124
13203SB	TRSCM	472258	13242	C-R	481834	13419	C-R
13203TA	TRSCM	472258	1324262	CHRY	5414	13420	C-R
13203TB	TRSCM	472258!	132435-H-20	IH	470625!	13421	C-R
13203VSB	TRSCM	472258	132435H10	IH	416888!	134213TL	TRSCM
13203VTB	TRSCM	472258	13244SA	TRSCM	6241S	13423	C-R
13204004	TROS	471564	13246	C-R	2300	134241R91	IH
13204405	TROS	471579	132563TB	TRSCM	473258!	13425	C-R
13204804	TROS	471567!	132563VTB	TRSCM	473258	13425	C-R
13204806	TROS	471567!	132607A	HARWA	13X26X7	13425	C-R
13204806.25	TROS	471567!	132607XX	TIMKE	13X26X7	13426	C-R
13205005	TROS	481568!	1326093	CHRY	5414	13427	C-R
13205205	TROS	474253	132628R91	IH	7600S	13428	C-R
13205206.25	TROS	474253	13265SL	TRSCM	450776!	13428	C-R
1320527	CHRY	12473	132707R91	IH	471466!	134299	GOODM
13205604	TROS	471570!	13273SB	TRSCM	323125	134299	JEFF
13205606	TROS	471570!	13275	C-R	450147	13430	C-R
13205606.25	TROS	471570!	1328011	BENDI	473227	13431	C-R
13206006	TROS	471571	132807XX	TIMKE	13X28X7	134311	MIHLE
13206006.25	TROS	471571	13283TB	TRSCM	473197!	134313	MIHLE
13206205	TROS	472324!	132867H	IH	473010!	134313	MIHLE
13206206.25	TROS	451583!	13287LDS	JN-MN	473197	1343260	GM
132062SC	TRSCM	6760S	13292LPD	JN-MN	415187*	13433	C-R
13206305	TROS	472324!	1329602	BENDI	471820	13436	C-R
13206306	TROS	472324!	132P3	WHITE	45653S	13436LPD	JN-MN
13206306.25	TROS	472324!	132R	TIMKE	132PKG	13437	C-R
132063SB	TRSCM	470774!	1330	CALI	455005	13438	C-R
132074	ROSS	472560N!	133006C1	IH	415984!	134380H1	HOUGH
1320B	GOODM	473010!	133007XX	TIMKE	13X30X7	13438LPD	JN-MN
1320D	GOODM	473234	13302	DIVCO	471827	13439	C-R
1320RC	SUL	416339	1330B	GOODM	473010!	134399	GOODM
1320RC	SUL	455031!	13315LDS	JN-MN	416271!	134399	JEFF
1321	C-R	5076	13316LDS	JN-MN	472636!	13441	C-R
13210	C-R	473213!	13316X	MASSE	417344!	13442AS	HERCU
13210004	TROS	471224!	1331RC	SUL	456105	13445	C-R
13210005	TROS	471224!	1332113212	TROS	415076	13445	C-R
13210006	TROS	471224!	133224R91	IH	470954	13448LUP	JN-MN
13210006.25	TROS	471224!	13336A	HERCU	473236!	134494	JEFF
13210008	TROS	471224!	13339	DIVCO	470898	1345-044-003	WARNR
13210008.5	TROS	471224!	1333OS	JN-MN	415045!*	1345-044-044	WARNR
13210405	TROS	480210!	133456	HYST	471737	13450	C-R
13210406	TROS	480210!	133494R1	IH	415449	1345044004	WARNR
13210406.25	TROS	480210!	133494R2	IH	415449	13451	C-R
13210408.5	TROS	480210!	133494R92	IH	415449	13452	C-R
132104X03.5	TROS	9376	1334OS	JN-MN	417601	13458LUP	JN-MN
13210803	TROS	340815	13350	C-R	484054*	134592	GOODM
13211602	TROS	240736	133522	HYST	J1120=	134592	GOODM
132123TB	TRSCM	471192	133523	HYST	455019!	134592	JEFF
132123VTB	TRSCM	471192	13353X	MASSE	473367	134592	JEFF
13213TB	TRSCM	472287!	13353X	MASSE	473367!	1346034	GMC
13214SA	TRSCM	471192	13355X	MASSE	473225!	13462	CHRY
13219X	MASSE	471466!	1335716	GMC	472164	13463	C-R
1322	C-R	5089	1335RC	SUL	416666	134631	SPICE
13220	C-R	473213!	133607H	IH	474281!	134632	SPICE
132206XX	TIMKE	13X22X6	133675	JEFF	417481	134633	SPICE
13221	C-R	473213!	133800	C-R	340X380X20*	134634	SPICE
132214	SCHWI	471763	13385	GW	481568!	13466	C-R
13222D	GARLK	5124	133853	US-EL	481443!	134661	SCHWI
1322309	WOOL	417621!	13386F	OSHKO	218	13467	C-R
132233SB	TRSCM	484058	133887	CROSS	471354!	134670	SCHWI
132234SB	TRSCM	9161	133888	CROSS	474264	1346883	GMC
13223TB	TRSCM	473214!	133889	CROSS	474265	13469LPD	JN-MN
13228	C-R	353132	133890	CROSS	472144!	1347-001	PYUNG
132282VB	TRSCM	42763!	133891	CROSS	472636!	1347056	GMC
132282VB	TRSCM	50402	133892	CROSS	413478	134717	HYST
132283SP	TRSCM	5131	133893	CROSS	417159	1347413	GMC
1322D	GOODM	474274	13399	C-R	6906S	13475	C-R
13232VHY	TRSCM	43089S	133A	HYST	471224!	13475	C-R
							34X62X10!*

! Industrial Size/Type * Minor Width Difference = Call 1-800-480-1212 for price and delivery.

Zero Duplication or Recommended		Zero Duplication or Recommended		Zero Duplication or Recommended		Zero Duplication or Recommended					
Mfr. No.	Name Industrial	Mfr. No.	Name Industrial	Mfr. No.	Name Industrial	Mfr. No.	Name Industrial				
1355173	CATER	5370	13602 C-R	472287!	13671 C-R	473214!	13714 C-R	473215!			
13552	C-R	1987	13603 C-R	472287!	13672 C-R	473214!	13716 C-R	471549!			
13553	LPD JN-MN	417344!	13604 BU-SP	415645!	13672	CHRYL	3173	1371622 GMC	8994N=		
13554	C-R	482163!	13604 BU-SP	455104	13672	GARLK	3173	13716M1 C-R	471549!		
13554	LUP JN-MN	473016!	13607 C-R	470774	1367260	OSHKO	415938	137174 HYST	417269!		
13557	C-R	714655!	136088	GOODM	471645	136734	HOUGH	455330!	13718 C-R	471551	
13559	C-R	472258!	1361	ALOY	224045	136734H1	IH	455330!	13718M1 C-R	471551	
13560	C-R	472258*	13610004	TROS	471270!	136735	HOUGH	473238	13719 C-R	471558	
13561	C-R	472258	13610006	TROS	471270!	136735H1	IH	473238	13719	FAIRB	471558
13562	C-R	472258!	13610406	TROS	450188	136735H2	HOUGH	473238	13720 C-R	471255	
13563	C-R	472258*	13610804	TROS	472560N!	13673LPD	JN-MN	471689!	13720	FAIRB	471255!
13564	C-R	472258*	13610805	TROS	472560N!	13674	IH	455330!	13720M1 C-R	471255	
13567	BU-SP	471652	13610806	TROS	472560N!	13676	C-R	473214!	13721 C-R	481073*	
13567	C-R	472258!	13618 C-R	471551	13676	C-R	5204	13721	LEROI	481073	
13568	C-R	472258!	13618	MALL	480210!	136762R1	IH	473367	13722 C-R	471553!	
13569	C-R	472258!	13618M1	C-R	471551	136762R1	IH	473367!	13722B C-R	471553!	
13571	C-R	472258	13619	C-R	471558*	136763R1	IH	50075=	13722M1 C-R	471553!	
13571	LPD JN-MN	471424!	13620	C-R	471255	136771	SPERY	322353	13723 C-R	50026	
13572	C-R	472258	136203SB	TRSCM	51322	136771	SPERY	474278!	137231C1 IH	204038	
13572	ALLCH	415138!	136206	GOODM	415938	13678	C-R	473214	137235SP TRSCM	8549S	
13573	C-R	40522S	136206	JEFF	415150!	13679	C-R	473214	13724 C-R	471554!	
13573	GMC	8594S	13620M1	C-R	471255	13680	C-R	473214!	13724	FAIRB	471554!
13574	SPICE	473442!	13621	C-R	481073*	1368068	GMC	331301N	13724	IH	471554!
13575	C-R	470774!	13622	C-R	471553!	13682	C-R	473214!	13724M1 C-R	471554!	
13576	C-R	470774!	13623	C-R	50026*	13684	C-R	473214!	13725 C-R	481443!	
13577	C-R	470774!	13623H2	IH	417597	13685	C-R	2655	137253R91 IH	471103!	
13578	C-R	470774!	136234SB	TRSCM	9568	13686	C-R	40169S	13726 C-R	471231!	
13578	LDS JN-MN	471801!	1362360	GMC	8620N	13687	C-R	473214!	13726M1 C-R	471231!	
13579	C-R	472258	1362377	GMC	8594S	136879	CUMMI	416271!	13727 C-R	473215!*	
13579	C-R	472258!	13624	C-R	471554!	13688	C-R	4614N	137272R91 IH	470004!	
13579	LDS JN-MN	473459	13625	C-R	481443!*	13689	C-R	40169S	13728 C-R	471267!*	
135804	SPERY	482126	13626	C-R	471231!	13689H2	IH	472492!	13728	STEEL	450398
135804	VICK	482126	136277	HOUGH	417316!	13690	C-R	473214	13728	STEEL	471267!
13581	C-R	472258	136277H1	HOUGH	417316!	13690A	C-R	472179	13728M1 C-R	471267	
13581	LPD JN-MN	471137	13628	C-R	471267!*	13692	C-R	473214	13729X MASSE	471750!	
13582	C-R	470774	13630	C-R	472287!	13693	C-R	473214	13730 C-R	473215!	
13583	C-R	470774!	13631	C-R	472287!	136957R91	IH	340771	1373030 GMC	473179	
13585	C-R	470774*	13632	C-R	472287!	13696	C-R	473214	13732	SPICE	412119!
13587	C-R	470774!	1363206	GMC	8594S	13696A	HEIL	417267	13732A HEIL	471255!	
13587	LPD JN-MN	471870!	13633	C-R	472287!*	13696A	HERCU	417267	13732A	HERCU	471255!
13588	C-R	470774	13634	C-R	472287!	13698	C-R	473214!	13734 C-R	473215=	
1358899	GMC	9613S	13637	KEN	415656	13699	C-R	473214	13736 C-R	473215!	
135897	GOODM	417020	136376	SPERY	204029	136A10804	TROS	472560N!	13737 C-R	473215!	
135897	JEFF	417020	136376	SPERY	204507!	136GH28	C-R	471267	13738 C-R	473215!	
13590	C-R	470774!	136393	US-EL	470625!	136R	TIMKE	136PKG	13738 C-R	9568	
13591	C-R	470774!	13641	C-R	472287!	136Z24	C-R	471554!	137381	GMC	415991
1359176	GMC	473179	13642	C-R	471192	137	IG-RA	455480!	13739 C-R	473215!	
13592	C-R	470774	13645	C-R	471192	13700	C-R	9569S	13740 C-R	473215!*	
13593	C-R	470774	13647	C-R	471192	1370084020	COLLS	330385!	13743 C-R	473215!*	
13594	C-R	470774!	136478	US-EL	416664!	1370085020	COLLS	416271!	1374709	CHRYL	9116S
1359496	WHITE	416288!	13647LPD	JN-MN	471729	1370085030	COLLS	471413!	1374709	GMC	9116S
13595	C-R	470774!	13648	C-R	471192	1370085040	COLLS	471272!	13748X	MASSE	410102
135955	NEHO	472164!	13649	C-R	471192	1370085050	COLLS	450457	13750 C-R	3543	
13595	LDS JN-MN	417546!	13650	C-R	471192	1370085060	COLLS	473224!	13752 C-R	473215!*	
13595X	MASSE	471224!	13652	C-R	471192	1370085070	COLLS	472015!	13753 C-R	43089S*	
13596	C-R	6760S	136535	WEBER	415303!	1370090010	COLLS	471760	137547	NEHO	473231!
13598	C-R	51322*	13654	C-R	471192	13702	C-R	50402	13755 C-R	43089S	
13599	C-R	472287!	136540	WEBER	450446	13704204	TROS	481397	1375660 C-R	41081S=	
135999	HOUGH	415371	13655	C-R	471192	13704206	TROS	481397	13757 C-R	710249	
135999H1	HOUGH	415371	13657	C-R	471192	13704804	TROS	471498	13758 C-R	43089S	
135999H1	IH	415371	13658	C-R	471192	13705	C-R	42763	13759 C-R	223520!	
135FF28	C-R	471267!	1366	MURPH	473228	13705604	TROS	471633!	137592	US-EL	471647
135R	TIMKE	135PKG	13660	C-R	471192	137060H	IH	471141!	1376	CHEL	471763
135X160X12	SIMRT	135X160X12	13662	C-R	471192	13706307	TROS	450908=	1376030	OSHKO	415991!
135X160X13	TRSCM	135X160X13	13664	C-R	471192	137068	US-EL	470898	1376030	OSHKO	415991
135X160X13	TRSCM	135X160X13	13665	C-R	471192	13708	C-R	42763	137624	FMC	471554
135X170X12	TRSCM	135X170X12	13666	C-R	471192	13710	C-R	42763*	13764	C-R	473215!
135X170X12	TRSCM	135X170X12	13668	C-R	3543	13710	DIA	471689!	13765	C-R	9568*
13600	C-R	472287!	136699	HOUGH	417967!	13710204	TROS	471076	13766	C-R	473215!
136002	HOUGH	472409!	13670	C-R	471192	13711	C-R	204027	13767	C-R	473215!
136002H1	HOUGH	472409!	136702	HOUGH	417546!	13713	C-R	473215!	1376776	GMC	9116S
136002H1	IH	472409!	136702H1	IH	472439	137136	HOUGH	410737!	1376778	GMC	9116S

! Industrial Size/Type * Minor Width Difference = Call 1-800-480-1212 for price and delivery.

NUMERICAL

Zero Duplication or Recommended		Zero Duplication or Recommended		Zero Duplication or Recommended		Zero Duplication or Recommended					
Mfr. No.	Name Industrial	Mfr. No.	Name Industrial	Mfr. No.	Name Industrial	Mfr. No.	Name Industrial				
13768LUP	JN-MN	417481	1384746	GMC	473179	13904	C-R	450463	139561	GOODM	55030
13769	C-R	473215!	13849	C-R	1147	13905	C-R	450463	139561	JEFF	55030
13770LUP	JN-MN	415150!	13850	C-R	710111	13905	GARLK	472572	13957	C-R	710331
13772LPD	JN-MN	415058	13851171	JOY	473210	13905	NEWPR	472572	13959	C-R	710096
13773LDS	JN-MN	453182	13851172	JOY	416294!	13906	C-R	450463	13959	MASSE	471224!
13774	C-R	470950!	13851173	JOY	415937!	13907	C-R	223520*	13959A	HERCU	471264
13774	C-R	6241S	13851174	JOY	415035	13908	HOUGH	416107!	13960	C-R	35X55X8!
13775	C-R	470950!	13851175	JOY	415138!	13908	HOUGH	455073	13961	C-R	223543
13775	C-R	6241S	13851176	JOY	455576!	13909	C-R	35X48X8!*	13961	C-R	35X56X10!
13778SS	JN-MN	471442!	13851177	JOY	417362!	13911	C-R	710076	13961	C-R	35X56X8
13781	C-R	473367	13852LDS	JN-MN	472179	13914LUP	JN-MN	471466!	13962	C-R	2007N
137816H	IH	50327	13853	C-R	4613N	13916	C-R	473197	13963	C-R	223540
13786	C-R	470950!	13857	C-R	1987	13917	C-R	473197	13964	C-R	35X58X10
13786	C-R	6241S	13857	C-R	710178*	13918	C-R	473197!	13965	C-R	223550
13787	C-R	6241S*	138572	SCHWI	473016=	13919	C-R	473197	13965	C-R	35X58X10!
13789LUP	JN-MN	415128	13858	C-R	710138	13920	C-R	473197!	13966	C-R	4901
13790	C-R	6241S	13858LDS	JN-MN	415483	139224TB	TRSCM	8660S	13967	C-R	223551
137902H1	HOUGH	417134	13860	C-R	35X50X8!*	13922LDS	JN-MN	473450!	13967	C-R	35X60X10!
13792	C-R	223550	13860	C-R	710324*	13924A	HERCU	471341!	13967	C-R	710424
1379246	GMC	5591\$	13861	C-R	223540	13925	C-R	473197	13969	C-R	223553
13793	C-R	6241S	13861	C-R	35X55X8!	13926	C-R	473197	13969	C-R	4901
13794	C-R	223801	13862	C-R	7245	13927	C-R	35X45X7	13969	HYST	474265
137945H1	HOUGH	471413	1386231	GMC	9613S	13928	C-R	1140*	13969A	C-R	471267!
13796	C-R	6241S	13863	C-R	35X80X8	13928	C-R	35X68X10!	13970	C-R	35X62X7!
13797	C-R	6241S	13865	C-R	471835!*	13929	C-R	471105	13970A	C-R	472560N!
13799	C-R	470950!	13866	C-R	471835!	13930	C-R	3655	13971	C-R	1173
13799	C-R	6241S	13867	C-R	471835V*	13931	C-R	1215	13972	C-R	223555
137A28	C-R	471267	13868	C-R	35X65X10!	13931	C-R	1215N	13972	C-R	35X64X8!
137G28	C-R	471267!	13869	C-R	473214	13932A	C-R	472185!	13973	C-R	35X65X10!
137HD28	C-R	471267!	1387134	GMC	5591	13933	C-R	223520	13973	C-R	35X65X8
137HD28-Q6	C-R	471267!	13872	KEN	415001!	13933	C-R	35X50X7!	13973	C-R	710335*
137R	TIMKE	137PKG	13873	C-R	473258!	13934	C-R	450492	13974	C-R	223580
137Z20	C-R	471255	13875	C-R	473258!	13935	C-R	450516	13975	C-R	35X69X8!
138	C-R	5596=	13876	BU-SP	417247!	13936	C-R	450516	13975A	C-R	6312
13800	CASE	6590S	13876	C-R	473258!	13937	C-R	470989	13976	C-R	223580
13802	C-R	470950!	13877	C-R	8168=	139371	US-EL	473235!	13977	C-R	35X70X8
13802	C-R	6241S	13878	C-R	473258	13938	C-R	223510	13978	C-R	1173*
13804	C-R	470950!	1387893	GMC	9913	13938	C-R	35X47X7!	13979	C-R	35X72X10*
13804	C-R	6241S	13879	C-R	472843	13939	C-R	1172	13979	C-R	35X72X8!
13804LPD	JN-MN	453182	1387919	GMC	9911S	13940	C-R	450516	139790	SCHWI	470625!
138053	ALLCH	415007	1387920	GMC	9911S	13941	C-R	35X48X8!	13979SSW	JN-MN	200322
13807	C-R	715101	1387OS	JN-MN	412027*	13941	C-R	710051	13980	C-R	35X72X10*
138088	JEFF	471645	13880	C-R	472843	13942	C-R	1108	13980	C-R	35X72X8!
13809LUP	JN-MN	55078S	138802C1	IH	J1125	13942	NEWPR	9449	13981	C-R	1147
1380A3	WHITE	472157	138803C1	IH	415389	139422	HYST	200856	139822	HYST	340827
1381	SKIL	472951	13881	C-R	472843	139425	HYST	JV1181	13984	C-R	35X78X8
1381	SKIL	474252	13883	C-R	40504S=	13943	C-R	3771	13985	C-R	3214
13810	C-R	471276*	13884	C-R	320249	13944	C-R	223520	139852	HYST	340847
13811	C-R	471276	13884	C-R	714436	13944	C-R	35X50X8!	13986	C-R	35X80X8
13812	C-R	471276*	13885	C-R	223520	13945	C-R	223510	139864H1	IH	417316=
138120	HYST	472258!	13885	C-R	35X50X8!	13946	C-R	713771	139866	GOODM	471766!
13815	C-R	471276	13885	C-R	710324*	13947	C-R	3655	139866	JEFF	471766!
13816LPD	JN-MN	455297	13887	C-R	223520!	13948	C-R	223535	13987	C-R	223520!*
13819	C-R	450776!	13888	C-R	4529N	13948	C-R	35X52X7!	13987	C-R	713771*
13820	C-R	471255	13889	C-R	450776!	13949	C-R	223535	13988	C-R	470672
13824X	MASSE	470059	13892	C-R	450776!	139499	HYST	476470	139885	JEFF	417349
13824X	MASSE	470380!	13893	C-R	223542	13950	C-R	223555	139885	SUL	417349
13826	C-R	473215!	13893	C-R	35X55X11!	13950	C-R	35X64X8!	139886	JEFF	471766!
13829	JOHND	473473	13894	C-R	223550	13951	C-R	223535	139888	JEFF	415867
13830	C-R	6241S*	13895	C-R	35X65X10!	13951	C-R	35X52X8!	13989	C-R	1170
13831E	JOHND	415035!	13895	C-R	710335	13952	C-R	1119	13989	C-R	35X52X8!*
13831E	JOHND	415035	13896	C-R	35X72X10	13952	C-R	35X54X8!	13990	C-R	8660S
138374H1	HOUGH	417535	13896	HYST	474265	13952	C-R	710331	13991	C-R	8660S
13839	C-R	7687S	13896	KEN	415437	13953	C-R	4040N	13992	C-R	8660S
138396H2	IH	2505	13897	C-R	710217	13954	C-R	223542*	139924	US-EL	415074
13841	C-R	471835!	13899	C-R	450456!	13954	C-R	35X55X11!*	139927	US-EL	415074
13843	C-R	6952S=	13899	HOUGH	417316!	13954	C-R	35X55X8!	13993	C-R	35X55X8!
13844	C-R	7245	13899	PUL	412119!	13954	C-R	473823	13993	C-R	473823
13845	C-R	710178	138HMS28-Y12	C-R	471267!	13954LPD	JN-MN	417486	13994	C-R	223543!
13845662	JOY	415138!	138R	TIMKE	138PKG	13955	C-R	9344S	13994LPD	JN-MN	25X52X7!
13846	C-R	471835!	13900	C-R	450456!*	13956	C-R	8676S	13995	C-R	8660S
13847	C-R	471835!	1390321	CHRY	410987!	139560	JEFF	416865!	13996	C-R	223552

! Industrial Size/Type * Minor Width Difference \$F-M Number Is Part Of A Kit = Call 1-800-480-1212 for price and delivery.

Zero Duplication or Recommended Industrial		Zero Duplication or Recommended Industrial		Zero Duplication or Recommended Industrial		Zero Duplication or Recommended Industrial	
Mfr. No.	Name	Mfr. No.	Name	Mfr. No.	Name	Mfr. No.	Name
13997	C-R 35X62X7!*	1401080.4	TROS 471652	14046972	GMC 5698	14095611	GMC 341022
13998	C-R 223552	14010805	TROS 471652	140471	HYST 415725 =	14096051	GMC 4359V
13998F	OSHKO 415035!	14011	C-R 223605	14047298	GMC 3747	14096052	GMC 4359V
13999	C-R 35X72X10!	14012694	GMC 3896	14050	C-R 36X62X7!	14096077	GMC 3517V =
139HMS28-Y12	C-R 471267!	14012754	GMC 3747	14050	C-R 481826*	1409902	CHRY5 6966S
139R	TIMKE 139PKG	14012967	GMC 710044	14050	C-R 4989	140A10804	TROS 471652
13D17	TLSMI 417158 =	14013	C-R 223608!*	14052	C-R 36X62X7!	140B04804	TROS 471643!
13D18	TLSMI 415200N =	14013	C-R 36X52X7	14052	C-R 4989*	140B10804	TROS 471652
13D19	TLSMI 416624	1401335	CHRY5 5414	14052	C-R 710209	140R	TIMKE 140PKG
13D20	TLSMI 455576 =	1401336	CHRY5 5414	14053338	GMC 9613S	140X160X13AN	ISP 140X160X12
13D21	TLSMI 416364 =	14015	DGASK 3655	14054	C-R 710152	140X160X13SC	TRSCM 140X160X13!
13X26X7	FORSH 13X26X7	14015	HYST 340356	14055	C-R 710057	140X160X13TC	TRSCM 140X160X13!
13X26X7	SIMRT 13X26X7	14016	C-R 223608*	14057	C-R 710057*	140X170X12ASN	ISP 140X170X12
13X26X7SC	TRSCM 13X26X7	14016	C-R 36X52X7!	140574	JEFF 412473!	140X170X12ASN(32)	ISP 140X170X12
13X26X7TC	TRSCM 13X26X7	1401691	BUC-E 472354!	14058LUP	JN-MN 471224!	140X170X15SC	TRSCM 140X170X15!
13X30X7SC	TRSCM 13X30X7	14017	C-R 223608	14059	DGASK 3774	140X170X15TC	TRSCM 140X170X15!
13X30X7TC	TRSCM 13X30X7	14018	C-R 223553	14059	DGASK TCS45472	140X180X12AN	ISP 140X180X12
14	BL-KN 471787!	14018	C-R 4901*	14061	DGASK 3774	140X180X12AN(35)	ISP 140X180X12
14000	C-R 35X72X10!*	14018012A	HARWA 140X180X18	14061	DGASK TCS45473	140X180X18	SIMRT 140X180X18
140000	SPG 712115	14018399	GMC 3348	14062X	MASSE 470954!	140X180X18SC	TRSCM 140X180X18
140001	SPG 712114	14018STLPD	JN-MN 415227!	14065	C-R 223620	140X180X18TC	TRSCM 140X180X18
140003	SPG 712118	14019LUP	JN-MN 472299	14066982	GMC 5697	141	C-R 5453
140004	SPG 712119	14020	C-R 710197!	14066E	MASSE 474278!	141	FMC 415995!
140006	SPG 712116	14021	C-R 2003N	140688	CUMMI 470530!	14100	MICH 50199S!
140007	SCHWI 471689!	14021	C-R 223540	14069068	GMC 5433	14100	MICH 6863S!
140009	SPG 471466	14021077	GMC 5697	14069889	GMC 5210	14100	UNIVE 50199S!
14001	C-R 710201	140227	GOODM 410825	14070	C-R 36X70X8	14100	UNIVE 6863S!
140011	SPG 415449	140227	JEFF 472394	1407167	CHRY5 471564	14101	BENDI 471466!
140012	SPG 712109	140228	JEFF 410825	14071721	GMC 710046	14101	WOODB 471362!
140015	SPG 712112	14023	C-R 36X54X7.5	14074	C-R 50254 =	1411035	WOOL 472164!
140016	SPG 712113	14023	C-R 36X54X8	140744	US-EL 416077	141113	HYST 415725 =
140018	SPG 712122	140233	GOODM 470625!	14074833	GMC 4795V	141119	HYST 417605
140019	SPG 712101	140236	ALLCH 415196!	14075	C-R 50254 =	14112	MICH 474277
14001933	LF-PT 471829	14024	C-R 223610	14076995	GMC 5699	14112	UNIVE 474277
14002	C-R 710166	14024	C-R 710197	14077041	GMC 8610	141149	HYST 417605
140020	SPG 712126	1402443	CHRY5 6241S	140771	SPG 340771	14115134	CONTI 50445
140021	SPG 712102	1402618	CHRY5 6636S	14077244	GMC 4307V!	14115A	MASSE 471651
140024	SPG 712120	14027	C-R 710331	1407752	CHRY5 6597S	1412185	GMC 473212!
14002LDS	JN-MN 453066	14028	C-R 710197	14079089	GMC 9316	141263SB	TRSCM 9342S
14002LDS	JN-MN 470898!	14028	C-R 710199	140791	HOUGH 471224!	141276H	IH 415137!
14003	C-R 35X47X7V	14028939	GMC 5576	14079359	GMC 5072	141276H	IH 418028
14003414	GMC 8871	14029097	FAIRB 411	14079467	GMC 3543	14128LDS	JN-MN 455584
14003417	GMC 8835S	14030	C-R 2003N!	1408142	CHRY5 473367	141309H	IH 50631
14004	C-R 710343	1403023	FMC 415007	1408142	CHRY5 473367!	141322	FORD 471762!
14004804	TROS 471643!	1403023	FORD 415007	1408143	CHRY5 470898!	14136	SPICE 473228
14004805	TROS 471643!	1403031	FMC 411253!	14081702	GMC 5210	1413635	GMC 473179!
14005	C-R 223601	14031	C-R 50126	14081761	GMC 331210V	14141	C-R 50075 =
14005	C-R 36X47X7!	14032	C-R 1940	14081761	GMC 5210	141507	ALLCH 415035
14005003	TROS 481644	14033199	GMC 9845	14082	C-R 36X72X8	141507	ALLCH 415035!
14005005	TROS 481644	140337	FORD 473010!	14083	WOODB 471424!	14151	HYST 473467
14005604	TROS 471646!	14034495	GMC 2440	14084118	GMC 5697	141515HA	IH 323138!
14005605	TROS 471646!	14035	C-R 474127	14084119	GMC 5698	141515HB	IH 323138!
14005607	TROS 471646!	140359R91	IH 410496!	14084120	GMC 5699	141516HA	IH 340400
14006	C-R 2007N	14037	C-R 36X56X10	14085829	GMC 4307V!	141516HB	IH 340400
14006	C-R 223543!*	14038	C-R 36X56X10!	14086700	GMC 5697	14154LPD	JN-MN 472924!
14006	C-R 710396	14039	C-R 36X58X12!*	14087	C-R 4532N	1415976	GMC 473228!
14006004	TROS 471647	14039577	GMC 223255	1408732	CHRY5 470954	1415976	MASSE 473228!
14006005	TROS 471647	14039577	GMC 32X52X7!	140878H2	HOUGH 331356 =	141614R91	IH 457291
140061	SPG 6241S	14039587	GMC 8611N	14088	C-R 9116S	141671	HYST 417603!
14007	C-R 710218	14040	C-R 36X58X12!*	14088556	GMC 4359V	14169A	C-R 473464!
14007	C-R 710315*	14040	C-R 36X58X8!	14088556	GMC 5274	14169A	C-R 473464
14008	C-R 223602	14040	C-R 474288	14088559	GMC 4359V	14171	HYST 472560N!
14009	C-R 223605	140408	ALLCH 470530!	140896	CUMMI 472164 =	141739	CUMMI 340797
14009	C-R 36X50X7!	140420	ALLCH 415001!	14090906	GMC 9845	141743	CUMMI 417621
14009	C-R 710341*	14042LPD	JN-MN 416664!	14091	DGASK 3771	141743	CUMMI 5509
14009612	GMC 710385	14043	C-R 36X58X12!*	14091422	GMC 473227	141818	ALLCH 471766!
14010	C-R 223605	14044	C-R 36X58X12!	14092	C-R 9342S	14182FX	OSHKO 322353
14010	C-R 36X50X7!	14045	C-R 1965	14092820	GMC 3667	14182FX	OSHKO 474278!
140100	SCHWI 471787 =	14045	C-R 36X60X7!	14092900	GMC 2003N!	14182X	MASSE 240119
14010004	TROS 471649!	14046	C-R 1965	14095609	GMC 3173	14188	WITTE 416273!
14010005	TROS 471649!	14046941	GMC 710171	14095609	GMC 710928	1418889	GMC 450274
14010007	TROS 471649!	14046972	CHRY5 5698	14095610	GMC 472572	14191	CASE .J1105

! Industrial Size/Type * Minor Width Difference = Call 1-800-480-1212 for price and delivery.

NUMERICAL

Zero Duplication or Recommended Industrial		Zero Duplication or Recommended Industrial		Zero Duplication or Recommended Industrial		Zero Duplication or Recommended Industrial		
Mfr. No.	Name	Mfr. No.	Name	Mfr. No.	Name	Mfr. No.	Name	
1419512	GMC	6064	14271LPD JN-MN	418028	14363 C-R	474264*	14484 C-R	239134
14198LUP	JN-MN	417602!	14272 DGASK	6936S	14363 C-R	474264!	144886 JEFF	417351!
141R	TIMKE	141PKG	14272 DGASK	TCS45285	14364 C-R	474264	14489 C-R	37X52X8!
14202	DGASK	223420	14278 DGASK	TCS45483	143697 JEFF	472636!	1449 ALLCH	472394
14202	DGASK	TCS45603	142806XX TIMKE	14X28X6	143699 JEFF	417316!	14490LDS JN-MN	455462
14205	CASE	473454	14281 DGASK	4040N	14370 C-R	6966S*	14491 C-R	471405
14209	C-R	340930	14281 DGASK	TCS45700	14381 C-R	4795V	14493A C-R	473234
1420D	GOODM	472164!	14282 C-R	473225!	14383 C-R	473226	14494 C-R	2003N!
14212	C-R	3394	14282 DGASK	713655	14383 DGASK	TCS45725	14496 C-R	710302
14213TB	TRSCM	473224!	14282 DGASK	TCS45699	14384 LEECE	471750!	144961 JEFF	473471
14214	C-R	3395!	14283 C-R	473225!	14385 DGASK	TCS45727	144963 JEFF	471272!
14216	BTM	6074	14286A C-R	450593!	14387 C-R	4795V*	14497 DAVEY	473228
142161	JEFF	471570!	14287 DGASK	320595	143873R91 IH	451143	14499 BU-SP	416167!
14218	C-R	473224!	142917 US-EL	417258	1439 ALOY	417487	144A11604 TROS	353135
14218521020	ALLCH	417481	14293 DGASK	320595	143926C1 IH	457734	144A11604 TROS	474278!
14219	C-R	473224!	14295 C-R	473225!	14393 C-R	4795V*	144A11604C TROS	474278!
14220	C-R	473224!	14296 C-R	473225!	14393 DGASK	1121	144A11604C TROS	6859S
14221	C-R	473224!	142981 US-EL	471868	14397 HOUGH	470565!	144R TIMKE	144PKG
14222	C-R	473224!	142C799 WABCO	470806	143990R91 IH	416956	144X160X12SC TRSCM	144X160X12
14223	C-R	473224!	142K1 WHITE	323138!	143R TIMKE	143PKG	144X160X12TC TRSCM	144X160X12
14223	SPICE	5778	142R TIMKE	142PKG	144 C-R	710163	14500 C-R	710228
142234	SPICE	5778	143007A HARWA	14X30X7	144 C-R	BS5974	145000 SPG	712123
14223TB	TRSCM	473016!	143007XX TIMKE	14X30X7	144002R91 IH	472185!	145001 SPG	712124
14229	C-R	473016!	14301A HERCU	473228	14404 C-R	473437*	145014 SPG	712125
1422C	GOODM	472179	14302 DGASK	TCS45724	14409 DGASK	TCS45884	14502 C-R	224462
1422D	GOODM	472179	14302 SPICE	472924!	1440927 GMC	473234	145029 JEFF	472492!
14230	C-R	473016!	143040 HYST	415498	144100 JEFF	472924!	145029 SUL	472924!
142308	GABR	471344	14306 DGASK	TCS45483	144101 JEFF	473215!	1450316 CHRYS	6636S
14231HA	IH	472560N!	14308 BU-SP	412943	14410405 TROS	470606!	14504 BU-SP	415995!
142329H	IH	474278!	14309 DGASK	TCS45786	14410406 TROS	470606!	14504 KOEH	415995!
142329HA	IH	340356	1431 C-R	472311!	14410L IH	470950!	14506 C-R	710259
142331H	IH	472560N!	14310A C-R	472924!	14410L IH	6241S	145074 JEFF	412473!
142331HA	IH	472560N!	14311 DGASK	TCS45635	14411205 TROS	470328	145103 JEFF	415371
142333HA	IH	474276!	14312A C-R	412871!	14411205 TROS	481213!	145107 JEFF	415995!
142333HB	IH	474276!	14315 C-R	474264	14411206 TROS	470328	145108 JEFF	415371
14233TB	TRSCM	473225!	14316 C-R	474264	14411206 TROS	481213!	145108 SUL	415371
1423404	GMC	473238	14316 DGASK	223420	144112X07 TROS	474260	14518012A HARWA	145X180X12
14237LPD	JN-MN	455024	14316 DGASK	TCS45635	14411604 TROS	353135	1452 ALOY	1944
1423RC	SUL	417172	14317C DIA	450400	14411604 TROS	474278!	145212 JEFF	471554!
142407XX	TIMKE	14X24X7	14317F DIA	6597S	14411606 TROS	40185	14528 JNSON	471271!
14241A	C-R	416738!	14318X MASSE	415960	14412 BU-SP	416154!	145383 JEFF	417171!
14241A	C-R	450096	143191VC TRSCM	340930	14412LDS JN-MN	473213!	145384 JEFF	415021
14242	C-R	473016!	1431M1 C-R	472311!	144139C1 IH	417698	145395 AU-WS	471735
1424334A	AUTSP	474276!	143203TB TRSCM	3395!	14418 DGASK	TCS45860	1454 ALOY	474134
14243SB	TRSCM	474264!	143203TB TRSCM	352444	144229 JEFF	471391!	145416 JEFF	415072
14246	C-R	473016	143207XX TIMKE	14X32X7	144229 SUL	471391!	145493 JEFF	471549!
14247	C-R	473016!	143224 BRCWY	470059	14423 C-R	471862*	1455257 GMC	470059
14247	DGASK	3476	143224 BRCWY	470380!	14423A C-R	471466!	1455257 GMC	470380!
14249	C-R	473016!	14322X MASSE	473212!	14424 C-R	471862	14553 SPICE	50075=
1424B	GOODM	471984	143263TL TRSCM	473437	144260H IH	470004!	14557 SPICE	450073
1424D	GOODM	473313	143270 WHITE	415023	14427 DGASK	TCS45745	145585 JEFF	471791
14250	C-R	473016!	143281 WHITE	473447	14429 DGASK	TCS45918	145585 JEFF	456585
142505A	HARWA	14X25X5	143305TB TRSCM	471405	144302 ALLCH	476838!	145588 BRCWY	415001!
142505XX	TIMKE	14X25X5	14337 EATON	713750	14438LPD JN-MN	416191	1456 ALLCH	472394
14251	DGASK	TCS45108	14337 FULLE	713750	14443LDS JN-MN	415379	145637 SPG	45637S
14252	C-R	473016!*	14341H IH	472397!	14443LDS JN-MN	415379!	145702 JEFF	415551
14253SB	TRSCM	473226	14341LPD JN-MN	472826!	14444LDS JN-MN	415142	145752 HYST	471267!
1425501	AUTSP	481163!	14342 C-R	474264	14446 C-R	450808	145753 HYST	471224!
14256	DGASK	3476	14344 DGASK	TCS45424	1445023 BENDI	472070	14577LPD JN-MN	224025
14257	DGASK	TCS45718	14346 C-R	6966S	1445062 BENDI	240319	145812 HOUGH	470898
14259	DGASK	TCS45719	14347 DGASK	TCS45424	14452 C-R	412473!	145812 IH	470898
142598	CUMMI	417316	143473 ALLCH	473205	144557 JEFF	415196!	145827H2 IH	473467
142599	CUMMI	476122H=	143507XX TIMKE	14X35X7	14457 SPICE	450073	145847250 MACK	120X150X12
142607XX	TIMKE	14X26X7	14351 HOUGH	441130	14458 C-R	450808*	14589 SPICE	40769S
14261	C-R	473016!	143555 JEFF	456105	14458 DGASK	TCS45108	14589SS JN-MN	222510
14262	C-R	473016!	14357 DGASK	TCS45424	144581 JEFF	417512	14589SS JN-MN	25X35X7!
142657	AUTOZ	K16300	143575 US-EL	472324!	144657 AM WH	473234	14598A C-R	476838!
142658	AUTOZ	K16301	14359 C-R	6966S	14468 C-R	450808	145R TIMKE	145PKG
14270	WHITE	415023	14360 DGASK	TCS45434	14474 DGASK	TCS45914	145X170X12SC TRSCM	145X170X12
142707XX	TIMKE	14X27X7	14360A C-R	416865!	14477 C-R	710355	145X170X12TC TRSCM	145X170X12
142708R91	IH	410737!	14362 C-R	474264	14480 DGASK	TCS45963	145X175X15SC TRSCM	145X175X15
14271	DGASK	TCS45506	143620 FWD	473229	14483 DGASK	TCS45725	145X175X15TC TRSCM	145X175X15

! Industrial Size/Type * Minor Width Difference = Call 1-800-480-1212 for price and delivery.

Zero Duplication or Recommended		Zero Duplication or Recommended		Zero Duplication or Recommended		Zero Duplication or Recommended		
Mfr. No.	Name	Mfr. No.	Name	Mfr. No.	Name	Mfr. No.	Name	
145X180X12	SIMRT	145X180X12	146A346 STN-S	470625!	14743 C-R	38X62X7	14810007 TROS	471689!
145X180X12	TRSCM	145X180X12	146A347 STN-S	471750!	14746 C-R	223843	14810009 TROS	471689!
145X180X12	TRSCM	145X180X12	146A5 HEIL	470004!	14746 C-R	38X60X10!	14810804 TROS	471692!
146-A153	HEIL	417134	146A57 HEIL	472397!	14747 C-R	710139	14810805 TROS	471692!
146-A160	HEIL	472636!	146A59 HEIL	471224!	14748 C-R	1176	14810806 TROS	471692!
146-A306	HEIL	472018	146A6 HEIL	471571	14749 C-R	2009	14810807 TROS	471692!
146-A322	HEIL	415196!	146A60 HEIL	471466!	14750 C-R	38X65X8!	14811 C-R	50209*
14601 C-R	223750		146A9 HEIL	471466!	14750 C-R	710435	14811006 TROS	471707N
1461 SUPER	450084!		146A92 HEIL	472636!	147529 JEFF	415711	14811604 TROS	471413!
14610LPD JN-MN	65X90X10!		146R TIMKE	146PKG	1475295 GMC	5113	14811606 TROS	471413!
14613 HEIL	471224!		147 C-R	5476=	1475295 GMC	7721!	14812 C-R	480210!*
146139 US-EL	473225		1470 SUPER	416339	14753 C-R	1175	14812403 TROS	340853
14614 AMC	411253!		1470 SUPER	455031!	147537 ALLCH	473205	14813 C-R	474276
146163 BUSHH	204017		14700 C-R	710304	14754 CHAMP	471281!	148150 HYST	55301S
14618LDS JN-MN	473228!		14701 C-R	38X50X7!	14755 C-R	38X68X10!*	148151 HYST	473467
14619 HEIL	412119!		14702 C-R	1128	14755 C-R	38X68X8!	14816 C-R	42260S
14619LDS JN-MN	472016!		14703 C-R	223801	14755 C-R	710165	14817015A HARWA	148X170X15
14620 HEIL	416476!		14704 C-R	1174	14756 C-R	710509	1481M1 C-R	471224!
14620LDS JN-MN	415449!		14704 C-R	38X52X8.5!	14758 C-R	1176	14821 C-R	474276
14621LDS JN-MN	472185!		14705 C-R	1174	14759 C-R	1120	14821LDS JN-MN	415327
14626 HEIL	471141!		14705 C-R	38X52X8.5!	14760 C-R	38X70X10	14822 C-R	471579*
146319 HEIL	476470		14705 C-R	710309*	147600 JEFF	472144!	148223SB TRSCM	50468
14634 C-R	710414		14706 C-R	1966	14761 C-R	38X72X10	14824 C-R	474276!
14634LPD JN-MN	415645!		14707 C-R	223801*	14762 C-R	350572	14825 C-R	481568!*
14635 C-R	710441		14707 C-R	223802*	147621 JEFF	472397!	14826 C-R	474253
146366 TLSMI	415449!		14708 AIRCO	55155=	147622 JEFF	415187	14826 C-R	474253!
14640 C-R	473438		14709 C-R	38X52X7	147622 SUL	415187	14827 C-R	473414*
14641 C-R	473438		147091 BRCWY	456618	14763 C-R	223840	14828 C-R	471570!*
14643LPD JN-MN	226020		14709A MASSE	417493	14764 C-R	38X72X10	1483 ALOY	4148
14643LPD JN-MN	60X80X8!		14709X MASSE	473214	14764A C-R	416339	14830 C-R	471571*
14644LPD JN-MN	228010		1471 ALOY	9864S	14764A C-R	455031!	14831 C-R	451583!*
146458 HOUGH	473448		14710 C-R	239146	14766 C-R	1177	14831LDS JN-MN	415007
146458H1 HOUGH	473448		14710 C-R	38X54X7!	14767 C-R	1177	14832 C-R	1126
146458H1 IH	473448		14711 C-R	1174*	14767 C-R	38X74X8!	14832 C-R	474276*
146482 BRCWY	415458!		14711 C-R	38X52X8.5!*	14768 C-R	1177	14832STLPD JN-MN	55239=
146483 BRCWY	5M867		14712 C-R	4530	14769 C-R	38X75X8	14833 C-R	474276!
14649A C-R	471224!		14713 C-R	223802	14770 C-R	38X78X8	14836 C-R	474276*
1464RC SUL	418028		147148 BRCWY	415060	14774 C-R	38X80X8	1483758 CHRYS	471827
1464RC SUL	455137!		147148 BRCWY	455060	14775 C-R	1196	14840 C-R	443018!
1465 CHEL	471529		14715 C-R	38X54X7!	14775 C-R	3357	14840 C-R	474276*
1465 SUPER	473228		147178 BRCWY	415697!	147765 JEFF	472299	148415 JEFF	472164!
14650 C-R	473438		147178 BRCWY	455547	14779LPD JN-MN	20X32X7	14845 C-R	474276!
146522 JEFF	417344!		14719 C-R	223830	14780 C-R	8597S	1484523 CHRYS	474278!
146522 SUL	417344!		14720 C-R	223830	14781LDS JN-MN	416664!	1484523 CHRYS	6859S
14656 HEIL	50405		14720 C-R	38X55X7!	1478432 GMC	8804S=	148456 ALLCH	472012
14657SS JN-MN	472810!		14721 C-R	223830*	14785 C-R	38X90X8	1484592 CHRYS	340797
146583 JEFF	417349		14721 C-R	223831*	14789 C-R	482415	1484597 CHRYS	240698
1466004 GMC	473231!		14724 C-R	38X56X10V	1479 ALOY	224520	14846 C-R	481163!
14661 HEIL	471442!		147242 TLSMI	50266	14790 C-R	223801!	14846 C-R	6759S
14663 C-R	473439!		14725 C-R	38X56X10	147908H1 HOUGH	471466!	14847 C-R	474276
14666 HEIL	455290		14726 C-R	223845*	1479396 GMC	451078!	1484702 GMC	8804S=
14667 C-R	473439!		14726 C-R	38X62X7!*	14797LDS JN-MN	470954!	14848 C-R	1126
146672 JEFF	471553!		14727 C-R	38X56X10!	14798 EATON	451143	14848 C-R	3677
14669STLPD JN-MN	509503=		14728E MASSE	471442!	14798 FULLE	451143	14848 C-R	41257!
146718 BRCWY	5957S		147297 JEFF	471571	147987 JEFF	415645!	14849 C-R	240319
14671STLPD JN-MN	417608		14730 C-R	223840	147987 JEFF	455104	14849LPD JN-MN	472164!
146721 FUNK	412473!		14730 C-R	38X58X8!	147R TIMKE	147PKG	14850 C-R	240319*
14672LPD JN-MN	471735		147305 BRCWY	473464!	148004 FUNK	470625!	148504 WEBER	416107!
146741 SPERY	471224!		147305 BRCWY	473464	14802 EATON	417433=	148504 WEBER	455073
146748 BRCWY	5951		14731 C-R	223840	148036 ALLCH	471647	14852 C-R	481163!
14675 C-R	473439!		14732 C-R	223842	1480393 GMC	5589\$	14852 CHAMP	417484!
14676 C-R	473439!		14733 C-R	38X62X7!	14804 C-R	253099*	14852 DOMIN	417484!
1468 ALOY	4250*		14738 C-R	1038	14805004 TROS	471337	14853 C-R	240319*
1468 HEIL	476838!		1473814 GMC	5113	14805205 TROS	471686	14854LPD JN-MN	470774!
146855 BRCWY	416654!		1473814 GMC	7721!	148057 JEFF	417343!	14855 C-R	481163!
14694LPD JN-MN	70X100X13		14739 C-R	223843	14806LUP JN-MN	471442!	14855 CHAMP	470954=
14695 C-R	223805		1474 ALOY	5698	14807 C-R	253099!	14857 C-R	240319*
14699 HEIL	472179		14740 C-R	223843	14808 C-R	253099	148574H1 HOUGH	471649!
146A33 HEIL	450593!		14740 C-R	38X60X10!	1481 C-R	471224!	14858 C-R	1174
146A34 HEIL	473215!		14740 C-R	38X60X8	14810 C-R	253099	14858 C-R	472466!
146A345 STN-S	472951		14741 C-R	38X60X10V	14810004 TROS	471689!	14859 C-R	6759S
146A345 STN-S	474252		14742 C-R	38X62X7	14810005 TROS	471689!	14860 C-R	480630

! Industrial Size/Type * Minor Width Difference \$ F-M Number Is Part Of A Kit = Call 1-800-480-1212 for price and delivery.

NUMERICAL

Zero Duplication or Recommended		Zero Duplication or Recommended		Zero Duplication or Recommended		Zero Duplication or Recommended	
Mfr. No.	Name	Mfr. No.	Name	Mfr. No.	Name	Mfr. No.	Name
1486096	CHRYSLER	1486096	CHRYSLER	1486096	CHRYSLER	1486096	CHRYSLER
14862	C-R	14862	C-R	14862	C-R	14862	C-R
14863	C-R	14863	C-R	14863	C-R	14863	C-R
14864	C-R	14864	C-R	14864	C-R	14864	C-R
14865	C-R	14865	C-R	14865	C-R	14865	C-R
14866	C-R	14866	C-R	14866	C-R	14866	C-R
14869	C-R	14869	C-R	14869	C-R	14869	C-R
14870	C-R	14870	C-R	14870	C-R	14870	C-R
148720	ALLCH	148720	ALLCH	148720	ALLCH	148720	ALLCH
14873	C-R	14873	C-R	14873	C-R	14873	C-R
14875	C-R	14875	C-R	14875	C-R	14875	C-R
14876	C-R	14876	C-R	14876	C-R	14876	C-R
14877	C-R	14877	C-R	14877	C-R	14877	C-R
14878	C-R	14878	C-R	14878	C-R	14878	C-R
14879	CHAMP	14879	CHAMP	14879	CHAMP	14879	CHAMP
14880	C-R	14880	C-R	14880	C-R	14880	C-R
14881	C-R	14881	C-R	14881	C-R	14881	C-R
14882	C-R	14882	C-R	14882	C-R	14882	C-R
14884	C-R	14884	C-R	14884	C-R	14884	C-R
14885	C-R	14885	C-R	14885	C-R	14885	C-R
14885	CLAYN	14885	CLAYN	14885	CLAYN	14885	CLAYN
14886	C-R	14886	C-R	14886	C-R	14886	C-R
14886	CLAYN	14886	CLAYN	14886	CLAYN	14886	CLAYN
14887	C-R	14887	C-R	14887	C-R	14887	C-R
148872H	HOUGH	148872H	HOUGH	148872H	HOUGH	148872H	HOUGH
1488883	GMC	1488883	GMC	1488883	GMC	1488883	GMC
1489	CHAMP	1489	CHAMP	1489	CHAMP	1489	CHAMP
1489	DOMIN	1489	DOMIN	1489	DOMIN	1489	DOMIN
148942	HOUGH	148942	HOUGH	148942	HOUGH	148942	HOUGH
148942	HOUGH	148942	HOUGH	148942	HOUGH	148942	HOUGH
14896	C-R	14896	C-R	14896	C-R	14896	C-R
14898	C-R	14898	C-R	14898	C-R	14898	C-R
14898	CHAMP	14898	CHAMP	14898	CHAMP	14898	CHAMP
148L	OSHKO	148L	OSHKO	148L	OSHKO	148L	OSHKO
148M1-L	C-R	148M1-L	C-R	148M1-L	C-R	148M1-L	C-R
148M1-L	C-R	148M1-L	C-R	148M1-L	C-R	148M1-L	C-R
148R	TIMKE	148R	TIMKE	148R	TIMKE	148R	TIMKE
148X170X15	SIMRT	148X170X15	SIMRT	148X170X15	SIMRT	148X170X15	SIMRT
148X170X15	TRSCM	148X170X15	TRSCM	148X170X15	TRSCM	148X170X15	TRSCM
148X170X15	TRSCM	148X170X15	TRSCM	148X170X15	TRSCM	148X170X15	TRSCM
14900	DGASK	14900	DGASK	14900	DGASK	14900	DGASK
14901	DGASK	14901	DGASK	14901	DGASK	14901	DGASK
14902	C-R	14902	C-R	14902	C-R	14902	C-R
14902	DGASK	14902	DGASK	14902	DGASK	14902	DGASK
14903	C-R	14903	C-R	14903	C-R	14903	C-R
14903	DGASK	14903	DGASK	14903	DGASK	14903	DGASK
149030R91	IH	149030R91	IH	149030R91	IH	149030R91	IH
149030R91	IH	149030R91	IH	149030R91	IH	149030R91	IH
14904	DGASK	14904	DGASK	14904	DGASK	14904	DGASK
14904LDS	JN-MN	14904LDS	JN-MN	14904LDS	JN-MN	14904LDS	JN-MN
14905LDS	JN-MN	14905LDS	JN-MN	14905LDS	JN-MN	14905LDS	JN-MN
14906	DGASK	14906	DGASK	14906	DGASK	14906	DGASK
14907	C-R	14907	C-R	14907	C-R	14907	C-R
14907	DGASK	14907	DGASK	14907	DGASK	14907	DGASK
14908	DGASK	14908	DGASK	14908	DGASK	14908	DGASK
14909	C-R	14909	C-R	14909	C-R	14909	C-R
14909	DGASK	14909	DGASK	14909	DGASK	14909	DGASK
1491	C-R	1491	C-R	1491	C-R	1491	C-R
14910	C-R	14910	C-R	14910	C-R	14910	C-R
14910	DGASK	14910	DGASK	14910	DGASK	14910	DGASK
149105	JEFF	149105	JEFF	149105	JEFF	149105	JEFF
14911	C-R	14911	C-R	14911	C-R	14911	C-R
14911	DGASK	14911	DGASK	14911	DGASK	14911	DGASK
14912	C-R	14912	C-R	14912	C-R	14912	C-R
14912	DGASK	14912	DGASK	14912	DGASK	14912	DGASK
14913	C-R	14913	C-R	14913	C-R	14913	C-R
14913	DGASK	14913	DGASK	14913	DGASK	14913	DGASK
14914	DGASK	14914	DGASK	14914	DGASK	14914	DGASK
14915	DGASK	14915	DGASK	14915	DGASK	14915	DGASK
14915LPD	JN-MN	14915LPD	JN-MN	14915LPD	JN-MN	14915LPD	JN-MN
14916	C-R	14916	C-R	14916	C-R	14916	C-R
14916	DGASK	14916	DGASK	14916	DGASK	14916	DGASK
14917	DGASK	14917	DGASK	14917	DGASK	14917	DGASK
14918	DGASK	14918	DGASK	14918	DGASK	14918	DGASK
14919	C-R	14919	C-R	14919	C-R	14919	C-R
14919	DGASK	14919	DGASK	14919	DGASK	14919	DGASK
14920	C-R	14920	C-R	14920	C-R	14920	C-R
14920	DGASK	14920	DGASK	14920	DGASK	14920	DGASK
149203TC	TRSCM	149203TC	TRSCM	149203TC	TRSCM	149203TC	TRSCM
149206SLX	MICH	149206SLX	MICH	149206SLX	MICH	149206SLX	MICH
14921	DGASK	14921	DGASK	14921	DGASK	14921	DGASK
14922	C-R	14922	C-R	14922	C-R	14922	C-R
14922	DGASK	14922	DGASK	14922	DGASK	14922	DGASK
14923	DGASK	14923	DGASK	14923	DGASK	14923	DGASK
14924	C-R	14924	C-R	14924	C-R	14924	C-R
14924	DGASK	14924	DGASK	14924	DGASK	14924	DGASK
14925	C-R	14925	C-R	14925	C-R	14925	C-R
14925	DGASK	14925	DGASK	14925	DGASK	14925	DGASK
14926	C-R	14926	C-R	14926	C-R	14926	C-R
14926	C-R	14926	C-R	14926	C-R	14926	C-R
14926	DGASK	14926	DGASK	14926	DGASK	14926	DGASK
14926M1	C-R	14926M1	C-R	14926M1	C-R	14926M1	C-R
14926M1	C-R	14926M1	C-R	14926M1	C-R	14926M1	C-R
14927	C-R	14927	C-R	14927	C-R	14927	C-R
14927	DGASK	14927	DGASK	14927	DGASK	14927	DGASK
14928	C-R	14928	C-R	14928	C-R	14928	C-R
14928	DGASK	14928	DGASK	14928	DGASK	14928	DGASK
14929	DGASK	14929	DGASK	14929	DGASK	14929	DGASK
1493	C-R	1493	C-R	1493	C-R	1493	C-R
14930	C-R	14930	C-R	14930	C-R	14930	C-R
14931	C-R	14931	C-R	14931	C-R	14931	C-R
14932	C-R	14932	C-R	14932	C-R	14932	C-R
14933	C-R	14933	C-R	14933	C-R	14933	C-R
149345R91	IH	149345R91	IH	149345R91	IH	149345R91	IH
14935	C-R	14935	C-R	14935	C-R	14935	C-R
149375R91	IH	149375R91	IH	149375R91	IH	149375R91	IH
1493776	GMC	1493776	GMC	1493776	GMC	1493776	GMC
1493778	GMC	1493778	GMC	1493778	GMC	1493778	GMC
14938	C-R	14938	C-R	14938	C-R	14938	C-R
14939	C-R	14939	C-R	14939	C-R	14939	C-R
14939	C-R	14939	C-R	14939	C-R	14939	C-R
14939	C-R	14939	C-R	14939	C-R	14939	C-R
14940	C-R	14940	C-R	14940	C-R	14940	C-R
14940	C-R	14940	C-R	14940	C-R	14940	C-R
14942	C-R	14942	C-R	14942	C-R	14942	C-R
14942	CHAMP	14942	CHAMP	14942	CHAMP	14942	CHAMP
14942	DOMIN	14942	DOMIN	14942	DOMIN	14942	DOMIN
14943	C-R	14943	C-R	14943	C-R	14943	C-R
14944	C-R	14944	C-R	14944	C-R	14944	C-R
1494465	GMC	1494465	GMC	1494465	GMC	1494465	GMC
149488	CUMMI	149488	CUMMI	149488	CUMMI	149488	CUMMI
1495	ALOY	1495	ALOY	1495	ALOY	1495	ALOY
14951	C-R	14951	C-R	14951	C-R	14951	C-R
14953	C-R	14953	C-R	14953	C-R	14953	C-R
149543	JEFF	149543	JEFF	149543	JEFF	149543	JEFF
149543	SUL	149543	SUL	149543	SUL	149543	SUL
149552	JEFF	149552	JEFF	149552	JEFF	149552	JEFF
149552	SUL	149552	SUL	149552	SUL	149552	SUL
14957	C-R	14957	C-R	14957	C-R	14957	C-R
14959LPD	JN-MN	14959LPD	JN-MN	14959LPD	JN-MN	14959LPD	JN-MN
1495M5	WHITE	1495M5	WHITE	1495M5	WHITE	1495M5	WHITE
14960	C-R	14960	C-R	14960	C-R	14960	C-R
1496010	SPICE	1496010	SPICE	1496010	SPICE	1496010	SPICE
1496096	CHRYSLER	1496096	CHRYSLER	1496096	CHRYSLER	1496096	CHRYSLER
1496123	GMC	1496123	GMC	1496123	GMC	1496123	GMC
1496175	GMC	1496175	GMC	1496175	GMC	1496175	GMC
14963	C-R	14963	C-R	14963	C-R	14963	C-R
14964	C-R	14964	C-R	14964	C-R	14964	C-R
14965	C-R	14965	C-R	14965	C-R	14965	C-R
149654	JEFF	149654	JEFF	149654	JEFF	149654	JEFF
149654	SUL	149654	SUL	149654	SUL	149654	SUL
14966	C-R	14966	C-R	14966	C-R	14966	C-R
14967L	IH	14967L	IH	14967L	IH	14967L	IH
14968	C-R	14968	C-R	14968	C-R	14968	C-R
14968	C-R	14968	C-R	14968	C-R	14968	C-R
1496910	SPICE						

Zero Duplication or Recommended		Zero Duplication or Recommended		Zero Duplication or Recommended		Zero Duplication or Recommended	
Mfr. No.	Name	Industrial	Mfr. No.	Name	Industrial	Mfr. No.	Name
15-01306	ITM	710233	15-09313	ITM	223601	15-50507	ITM
15-01308	ITM	223230	15-09806	ITM	228010	15-52301	ITM
15-01311	ITM	1038	15-09813	ITM	227040	15-54002	ITM
15-01500	ITM	716102	15-09815	ITM	228010	15-54019	ITM
15-01502	ITM	227550	15-09816	ITM	472439	15-58001	ITM
15-01505	ITM	227045	15-09830	ITM	5108	15-59805	ITM
15-01506	ITM	223840	15-09907	ITM	224252	15-59807	ITM
15-01513	ITM	223235	15-09908	ITM	227040	15-59807	ITM
15-01514	ITM	1987	15-11505	ITM	222025!	15-59808	ITM
15-01514	ITM	TCS45424	15-12301	ITM	713655	15-91402	ITM
15-01518	ITM	1994	15-13501	ITM	224200	15-A74	MINNM
15-01520	ITM	221820	15-20003	ITM	224820	15-JG17	KEN
15-01523	ITM	228009	15-20006	ITM	1992	15-M22	SPICE
15-01524	ITM	1953	15-20101	ITM	1949	15-M30	SPICE
15-01526	ITM	223802	15-20300	ITM	225875	15-M36	SPICE
15-01528	ITM	224020	15-20301	ITM	225010	15000	C-R
15-01530	ITM	223802	15-20302	ITM	494122	15000	C-R
15-01532	ITM	224205	15-20303	ITM	474134	150001	SPG
15-01533	ITM	229210	15-20501	ITM	1188	150003	SPG
15-01534	ITM	231004	15-20502	ITM	1183	1500031	EATON
15-01536	ITM	231004	15-20509	ITM	2002	150004	SPG
15-01550	ITM	231052	15-20510	ITM	1985	15000400	AJUSA
15-01552	ITM	710187	15-20511	ITM	1986	15000417	GMC
15-01901	ITM	225020	15-20905	ITM	1952	150008	SPG
15-01904	ITM	710060	15-20906	ITM	1952	1500080M1	MASSE
15-01906	ITM	712005	15-21501	ITM	224015	1500081M1	MASSE
15-01908	ITM	224205	15-21502	ITM	1950	15001	C-R
15-01917	ITM	3476	15-22303	ITM	472213	15001000	AJUSA
15-01918	ITM	226820	15-22502	ITM	1209	1500114	ITM
15-01937	ITM	222340	15-22703	ITM	222510	1500115	ITM
15-02000	ITM	3476	15-23302	ITM	1217	1500122	ITM
15-02005	ITM	710205	15-23303	ITM	1217	15001600	AJUSA
15-02007	ITM	226020	15-23304	ITM	1165	15001700	AJUSA
15-02009	ITM	716102	15-23306	ITM	473455!	15002200	AJUSA
15-02107	ITM	3476	15-24008	ITM	224820	15002300	AJUSA
15-02300	ITM	224461	15-24009	ITM	1090	15002800	AJUSA
15-02301	ITM	224250	15-24201	ITM	451948	15002900	AJUSA
15-02304	ITM	223802	15-25603	ITM	1110	15003	HYST
15-02305	ITM	224250	15-26301	ITM	473230!	15003	SPG
15-02307	ITM	473823	15-29303	ITM	482126	150030	HYST
15-02503	ITM	3909	15-30010	ITM	1974	15003200	AJUSA
15-02902	ITM	224520	15-30101	ITM	473812	15003600	AJUSA
15-03102	ITM	223050	15-30102	ITM	473179	15003700	AJUSA
15-03104	ITM	710331	15-30301	ITM	3195	1500381	FRKLN
15-03313	ITM	224840	15-30503	ITM	710329	15004	C-R
15-04017	ITM	710271	15-30506	ITM	1977	15004	C-R
15-04018	ITM	223800	15-31101	ITM	1188	15004	NATL
15-04302	ITM	710056	15-31302	ITM	224015	15004000	AJUSA
15-05602	ITM	50266	15-31504	ITM	1956	15004100	AJUSA
15-05603	ITM	472164!	15-32010	ITM	1174	15004400	AJUSA
15-06101	ITM	713771	15-32010	ITM	224015	1500449	FRKLN
15-06102	ITM	228480	15-32303	ITM	50501	150046	JEFF
15-06301	ITM	224025	15-32501	ITM	3395!	15004600	AJUSA
15-06303	ITM	223035	15-32902	ITM	1187	1500474	FRKLN
15-06304	ITM	226480	15-34011	ITM	1960	15004800	AJUSA
15-06307	ITM	494117	15-34203	ITM	470898	15004804	TROS
15-07801	ITM	2955	15-34203	ITM	473234!	15005	C-R
15-07802	ITM	3909	15-35602	ITM	471870!	1500510	ITM
15-08301	ITM	1953	15-35603	ITM	350936	1500510	ITM
15-08307	ITM	228010	15-35604	ITM	340823	15005100	AJUSA
15-08502	ITM	3771	15-35609	ITM	710058	15005500	AJUSA
15-08504	ITM	222556	15-36303	ITM	223535	15005600	AJUSA
15-08506	ITM	710302	15-36304	ITM	224235	15006	SPG
15-08507	ITM	223010	15-36305	ITM	40X58X10!	15006000	AJUSA
15-08510	ITM	223005	15-39101	ITM	224865	15006100	AJUSA
15-08511	ITM	222267	15-39307	ITM	473238!	15006200	AJUSA
15-09106	ITM	331227H	15-39818	ITM	320595	15006400	AJUSA
15-09300	ITM	1108	15-40101	ITM	474133	15006700	AJUSA
15-09303	ITM	229210	15-40509	ITM	1167	15006700	AJUSA
15-09306	ITM	710190	15-44017	ITM	1965	15006S	SPG
15-09308	ITM	710190	15-45605	ITM	451857	15007	C-R
15-09312	ITM	321460	15-50301	ITM	1196	15007500	AJUSA
15008	C-R	470380!	15008000	AJUSA	1129	15008100	AJUSA
1500811	ITM	710424	15008200	AJUSA	223010	15008300	AJUSA
1500845	FRKLN	8907	15008600	AJUSA	223012	15008800	AJUSA
15008800	AJUSA	1981	15008900	AJUSA	223018	15009	SPG
15009	SPG	415960	15009000	AJUSA	712001	150092	WAUKE
150092	WAUKE	470625!	150093	WAUKE	471341!	15009600	AJUSA
150093	WAUKE	471341!	15009700	AJUSA	473214	15009800	AJUSA
15009600	AJUSA	223035	15009SA	SPG	415960!	1501	C-R
15009700	AJUSA	473214	1501	C-R	471224!	1501	GOODM
15009800	AJUSA	223035	1501	GOODM	471224!	1501+2102	STEM
15009SA	SPG	415960!	1501+2102	STEM	370023A	1501+2102	STEM
1501	C-R	471224!	1501+320-2102	STEM	370023A	1501+320-2102	STEM
1501	GOODM	471224!	1501+320-2102	STEM	417505	15010000	AJUSA
1501+2102	STEM	370023A	15010000	AJUSA	6479	15010100	AJUSA
1501+2102	STEM	417505	15010100	AJUSA	223220	15010300	AJUSA
1501+320-2102	STEM	370023A	15010300	AJUSA	223230	15010400	AJUSA
1501+320-2102	STEM	417505	15010400	AJUSA	223235	15010500	AJUSA
15010000	AJUSA	6479	15010500	AJUSA	223420	15010600	AJUSA
15010100	AJUSA	223220	15010600	AJUSA	710310	15010700	AJUSA
15010300	AJUSA	223230	15010700	AJUSA	223240	15010800	AJUSA
15010400	AJUSA	223235	15010800	AJUSA	3476	15010900	AJUSA
15010500	AJUSA	223420	15010900	AJUSA	3476	15011	C-R
15010600	AJUSA	710310	15011	C-R	50209	15011000	AJUSA
15010700	AJUSA	223240	15011000	AJUSA	223240	15011214	FRKLN
15010800	AJUSA	3476	15011214	FRKLN	471278	1501229	MASSE
15010900	AJUSA	3476	1501229	MASSE	473234	1501229M1	MASSE
15011	C-R	50209	1501229M1	MASSE	473234	1501230M1	MASSE
15011000	AJUSA	223240	1501230M1	MASSE	471765!	15012500	AJUSA
15011214	FRKLN	471278	15012500	AJUSA	1172	15012600	AJUSA
1501229	MASSE	473234	15012600	AJUSA	1108	15012700	AJUSA
1501229M1	MASSE	473234	15012700	AJUSA	320249	15012800	AJUSA
1501230M1	MASSE	471765!	15012800	AJUSA	223602	15012900	AJUSA
15012500	AJUSA	1172	15012900	AJUSA	3771	15013	C-R
15012600	AJUSA	1108	15013	C-R	410059	15013	C-R
15012700	AJUSA	320249	15013	C-R	470380!	15013	SPG
15012800	AJUSA	223602	15013	SPG	415995!	15013000	AJUSA
15012900	AJUSA	3771	15013000	AJUSA	223520!	1501309	ITM
15013	C-R	410059	1501309	ITM	BS40638	15013100	AJUSA
15013	C-R	470380!	15013100	AJUSA	710329	15013200	AJUSA
15013	SPG	415995!	15013200	AJUSA	3771	15013300	AJUSA
15013000	AJUSA	223520!	15013300	AJUSA	3771	15013400	AJUSA
1501309	ITM	BS40638	15013400	AJUSA	710329	15013600	AJUSA
15013100	AJUSA	710329	15013600	AJUSA	3771	15013700	AJUSA
15013200	AJUSA	3771	15013700	AJUSA	3771	15013800	AJUSA
15013300	AJUSA	3771	15013800	AJUSA	223535	15013NA	SPG
15013400	AJUSA	710329	15013NA	SPG	415995!	15013SA	SPG
15013600	AJUSA	3771	15013SA	SPG	415995!	15014000	AJUSA
15013700	AJUSA	3771	15014000	AJUSA	223542	15014000	AJUSA
15013800	AJUSA	223535	15014000	AJUSA	4530	15014100	AJUSA
15013NA	SPG	415995!	15014100	AJUSA	223542	15014200	AJUSA
15013SA	SPG	415995!	15014200	AJUSA	223550	150148	JEFF
15014000	AJUSA	223542	150148	JEFF	417498	15015	C-R
15014000	AJUSA	4530	15015	C-R	410059	15015	C-R
15014100	AJUSA	223542	15015	C-R	470380!	15015000</	

Zero Duplication or Recommended		Zero Duplication or Recommended		Zero Duplication or Recommended		Zero Duplication or Recommended					
Mfr. No.	Name	Mfr. No.	Name	Mfr. No.	Name	Mfr. No.	Name				
15015200	AJUSA	223800	15021300	AJUSA	2440	1502929	CHRY	410308!	15037300	AJUSA	228250
15015300	AJUSA	223802	15021400	AJUSA	2440	15029400	AJUSA	226020	15037300	AJUSA	710448
15015300	AJUSA	7216	15021500	AJUSA	2440	15029500	AJUSA	2001	15037400	AJUSA	710294
15015400	AJUSA	1174	15021600	AJUSA	1185	15029600	AJUSA	60X82X12!	15037500	AJUSA	228410
15015500	AJUSA	1966	15021700	AJUSA	003	1502961	FRKLN	470565!	15037600	AJUSA	228480
1501566	CHRY	6781	15021900	AJUSA	224550	15029800	AJUSA	473573	15037700	AJUSA	716102
150158	HYST	474281!	15021900	AJUSA	5120	1502QS	JN-MN	415072*	1503776	FRKLN	413248
15015800	AJUSA	223831	15022	C-R	471579	1503	C-R	HU009A	1503777	FRKLN	413248
15015LPD	JN-MN	415551	15022200	AJUSA	710289	1503+2023	STEM	370065A	1503778	FRKLN	470565!
15016	C-R	470059	15022300	AJUSA	710289	1503+2173	STEM	370107A	1503779	FRKLN	470565!
15016	C-R	470380!	15022400	AJUSA	710289	1503+320-2023	STEM	370065A	15037900	AJUSA	6469
15016100	AJUSA	710318	15022500	AJUSA	224560	1503+320-2023	STEM	380065A	15037900	AJUSA	716102
15016200	AJUSA	710318	150225R1	SELAS	5115	15030	C-R	471571	15038	C-R	470059
15016600	AJUSA	5521	15022600	AJUSA	224560	15030	GEHL	471571	15038	C-R	470380
15016800	AJUSA	224010	15022800	AJUSA	710289	1503016M2	MASSE	414268!	15038000	AJUSA	6469
15016900	AJUSA	224015	15023	SPG	415023	1503017M1	MASSE	415137!	15038000	AJUSA	716102
15017	C-R	470380!	150233SP	TRSCM	7692S	1503017M1	MASSE	418028	15038100	AJUSA	716102
15017000	AJUSA	224015	15023400	AJUSA	1973	15030400	AJUSA	62X80X10	15038400	AJUSA	710232
15017200	AJUSA	473677	15023500	AJUSA	716484	1503042	FRKLN	417040	15038500	AJUSA	228700
15017400	AJUSA	3392	15023600	AJUSA	1973	15030900	AJUSA	64X80X8	15038600	AJUSA	3772
15017500	AJUSA	224025	15024	C-R	471567!	15031	C-R	451583!	15038700	AJUSA	3772
15017600	AJUSA	224026	15024	GOODM	471567!	15031000	AJUSA	009	15038900	AJUSA	710237
15017800	AJUSA	5604	15024000	AJUSA	224840	15031400	AJUSA	712005	15039	C-R	470059
15018	C-R	40059S	15024100	AJUSA	6127	15031500	AJUSA	226530	15039	C-R	470380
15018	NATL	476470	15024100	AJUSA	712010	15032	C-R	40059S	15039000	AJUSA	229005
15018100	AJUSA	5521	15024200	AJUSA	712010	15032100	AJUSA	226820	150392	WAUKE	470059
15018200	AJUSA	224040	15024300	AJUSA	224850	15032200	AJUSA	712511	150392	WAUKE	470380!
15018300	AJUSA	224040	15024300	AJUSA	225010	15032300	AJUSA	68X90X10!	15039200	AJUSA	229005
15018800	AJUSA	224205	15024800	AJUSA	225010	15032400	AJUSA	70X85X8!	15039300	AJUSA	229005
15018900	AJUSA	473560N	15024900	AJUSA	225010	15032500	AJUSA	5606	15039400	AJUSA	229010
15018900	AJUSA	5613!	15024LDS	JN-MN	416394	15032500	AJUSA	1021V	1503967	FRKLN	471272!
15019	C-R	410059	15025	C-R	481568!	15032600	AJUSA	70X88X8!	15039800	AJUSA	710288
15019	C-R	470380!	15025000	AJUSA	225020	15032700	AJUSA	227020	15039900	AJUSA	710288
15019000	AJUSA	224220	15025300	AJUSA	50X70X10V	15032800	AJUSA	227040	1503OS	JN-MN	416229
1501902	ITM	1945	1502533M1	MASSE	473238!	15032900	AJUSA	470059	1504	C-R	HU149A
1501902	ITM	228480	1502534M1	MASSE	472636!	15033	C-R	470380	1504+2110	STEM	416158
1501903	ITM	1945	1502537M1	MASSE	473232	15033000	AJUSA	227040	1504+320-2110	STEM	386025A
1501903	ITM	228480	1502538M1	MASSE	450446	15033100	AJUSA	227040	1504+320-2110	STEM	416158
1501909	ITM	TCS45633	15025400	AJUSA	225035	15033300	AJUSA	227045	15040	SPG	416891!
15019100	AJUSA	473560N	15025400	AJUSA	4401=	15033400	AJUSA	227045	15040000	AJUSA	229210
150192	WAUKE	473231!	15025600	AJUSA	225040	15033500	AJUSA	227235	15040100	AJUSA	717005
15019200	AJUSA	42X56X7!	150257M1	MASSE	473232	15033800	AJUSA	227409	15040500	AJUSA	4359V
15019300	AJUSA	224235	15026	C-R	474253!	15033900	AJUSA	130X160X12	15040600	AJUSA	710060
1501931M1	MASSE	470354	15026	C-R	474253	15033LPD	JN-MN	470380!	15040700	AJUSA	229510
150194	HYST	415867	15026200	AJUSA	1884	15034	C-R	227410	15041	C-R	472189A
15019500	AJUSA	2000	15026200	AJUSA	4990	15034000	AJUSA	75X90X10	15041	C-R	9613S
15019600	AJUSA	1953	15026300	AJUSA	52X69X10	15034200	AJUSA	227550	15041100	AJUSA	231002
1501977	FRKLN	415449!	15026400	AJUSA	225450	15034400	AJUSA	227550	15041300	AJUSA	710290
15019800	AJUSA	1953	15026500	AJUSA	710279	15034500	AJUSA	227550	1504180	FRKLN	412920!
15019900	AJUSA	1953	15026700	AJUSA	55X70X8!	15034600	AJUSA	227550	15041800	AJUSA	110X135X12
1501K	AU-WS	471224!	15026800	AJUSA	710279	15034700	AJUSA	1019	15042000	AJUSA	5625
1501M1	C-R	471224!	15026900	AJUSA	474253	15034800	AJUSA	227610	1504210M1	MASSE	40566S
1502	C-R	HU036A	15026M1	C-R	474253!	15034900	AJUSA	240151	15043	C-R	9613S
1502+2106	STEM	370003A	15026M1	C-R	474253!	1503490M1	MASSE	415034!	15043100	AJUSA	231705
1502+2115	STEM	370005A	15026SS	JN-MN	50200	15034SA	SPG	470380!	15043500	AJUSA	223230
1502+2162	STEM	370006A	15027	C-R	473414	15035	C-R	227830	15043700	AJUSA	222540
1502+320-2106	STEM	370003A	15027000	AJUSA	225535	15035300	AJUSA	228005	15044	C-R	9613S
1502+320-2106	STEM	380003A	1502703	FRKLN	413247!	15035600	AJUSA	228008	15044200	AJUSA	225020
1502+320-2115	STEM	370005A	1502708	FRKLN	472185!	15035700	AJUSA	6481=	150446	JEFF	415263
1502+320-2162	STEM	370006A	15027100	AJUSA	225535	15035700	AJUSA	228009	15044600	AJUSA	224462
15020200	AJUSA	224252	15027200	AJUSA	225545	15035800	AJUSA	80X100X10!	15044700	AJUSA	224460
150202SC	TRSCM	240319	15027300	AJUSA	225545	15035900	AJUSA	415035	15044800	AJUSA	224250
150202SC	TRSCM	481163	15027400	AJUSA	55X78X10	15035SA	SPG	470059	15045	C-R	9613S
15020300	AJUSA	224252	15027800	AJUSA	471272!	15036	C-R	470380	15045100	AJUSA	224650
15020400	AJUSA	224255	15028	C-R	471570!	15036	C-R	415036	15045500	AJUSA	224560
15020500	AJUSA	224266	15028	FAIRB	471570!	15036	SPG	228009	15045600	AJUSA	231052
15020600	AJUSA	224461	15028	GOODM	471570!	15036100	AJUSA	228009	15045700	AJUSA	223250
15020700	AJUSA	224465	15028700	AJUSA	710271	15036200	AJUSA	228010	15045700	AJUSA	710415
15020LPD	JN-MN	472020	15028900	AJUSA	225880	15036400	AJUSA	228020	15045900	AJUSA	223520!
1502109	FRKLN	370121A	15029000	AJUSA	225880	15036500	AJUSA	470380!	15047	C-R	4370N
15021100	AJUSA	224510	1502904	ITM	BS25031	15037	C-R	228480	1504716	FRKLN	416624!
15021200	AJUSA	1184	15029100	AJUSA	4408	15037000	AJUSA	228480	15047300	AJUSA	1121
			15029200	AJUSA	226020	15037100	AJUSA	228480			

! Industrial Size/Type * Minor Width Difference = Call 1-800-480-1212 for price and delivery.

Zero Duplication or Recommended		Zero Duplication or Recommended		Zero Duplication or Recommended		Zero Duplication or Recommended		
Mfr. No.	Name	Mfr. No.	Name	Mfr. No.	Name	Mfr. No.	Name	
15047400	AJUSA	228015	1509+2117 STEM	370030A	15150 C-R	473228!*	152062VB TRSCM	7537S
1504754M1	MASSE	471192	1509+320-2117 STEM	370030A	15153 C-R	473228!	152063SB TRSCM	480630!
1504755M1	MASSE	473234!	15090 C-R	471344*	15153LPD JN-MN	417350!	152069 ADAMS	416654!
15048500	AJUSA	223750	15092 C-R	471344*	15154 SPG	417351!	152069 WABCO	416654!
15048600	AJUSA	229005	15093 C-R	471344*	15156NA SPG	417621	152069SG TRSCM	480630!
15048800	AJUSA	710233	1509305 ITM	TCS45725	15157 C-R	473228!	15207 AIRCO	471766!
15048900	AJUSA	710234	1509309 ITM	TCS45725	15158 C-R	473228	15207 C-R	470487!
15048X	MASSE	450765!	15094 C-R	471344*	15159 C-R	473228!	15208 C-R	473440!
15049000	AJUSA	223230	15095 C-R	471862*	1516+2097 STEM	370069A	15209 C-R	450984*
15049100	AJUSA	710236	15095 SPG	416271!	1516+320-2097 STEM	370069A	15209 SPICE	415001!
15049200	AJUSA	710235	150951 JEFF	417362!	1516+320-2097 STEM	380069A	15209LUP JN-MN	120X160X12
15049300	AJUSA	716102	15095S SPG	416271!	15160 C-R	40067S=	1521103 ITM	1213N
15049400	AJUSA	2025	150967 JEFF	471103!	15161 C-R	40067S=	15212 C-R	473228!
15049500	AJUSA	716102	15099LUP JN-MN	471192	15162 C-R	473228	15212 C-R	473440
15049600	AJUSA	710187	150R TIMKE	150PKG	15164 C-R	473228	152128 AM WH	455194
15049700	AJUSA	1120	150X180X12SC TRSCM	150X180X12	15166 C-R	473228!	15213 C-R	473440!
1504RC	SUL	415035!	150X180X12TC TRSCM	150X180X12	1517+2113 STEM	370021A	15213 SPG	417247!
1504RC	SUL	415035	150X180X15SC TRSCM	150X180X15	1517+320-2113 STEM	370021A	15213NA SPG	415213N
15050 C-R		9613S	150X180X15TC TRSCM	150X180X15	15170 C-R	473228	15213TB TRSCM	473227!
15050200	AJUSA	223802	150Z1 C-R	471224!	15171 C-R	473228	15213TEB TRSCM	473227!
1505044	MASSE	450269	1510+2118 STEM	370037A	15171LDS JN-MN	416381	15213VTB TRSCM	473227
150511R91	IH	40316S	1510+2118 STEM	370338A	1517230 OSHKO	416888!	15214 C-R	473440!
1505258M1	MASSE	474272	1510+320-2102 STEM	380023A	15174 C-R	200861	15215 C-R	473440!
15053	SIDEW	415379	15100 MICH	320457	15174LPD JN-MN	416500!	1521506 ITM	225020
15053	SIDEW	415379!	15100 UNIVE	320457	15175 C-R	410190	1521506 ITM	50X68X8!
1505328M1	MASSE	471442!	15102 C-R	473228	15176 C-R	410190*	15219SA SPG	415219
150539	AMC	472560N!	15103 C-R	473228	15177F OSHKO	417349=	152205 JOHND	5778
15054 C-R		5200	15104 C-R	473228!	151818 BRCWY	450400	152218 OLIVE	472144!
15054LPD	JN-MN	3476	15105 C-R	473228	15182TB TRSCM	253099!	15222 C-R	474281!
1505900	ITM	BS40535	15105SA SPG	415938	15182TB TRSCM	473099	152223TB TRSCM	480844
1505903	ITM	BS40535	15108 SPG	476470	15182VB TRSCM	253099	152225VL TRSCM	40438S
1505RC	SUL	417344!	15109 C-R	473228	15183 SPG	417205!	15222VHY TRSCM	340136
150604	OLIVE	417267	1511 C-R	HU024A	15184 C-R	410190	1522301 ITM	227040
1506224M1	MASSE	340823	1511+2129 STEM	416892	15185 OLIVE	472924!	1522301 ITM	70X90X10!
150628H1	IH	471766!	1511+320-2129 STEM	416892	15186 C-R	470380!	15223SB TRSCM	470625
15065 C-R		7886S*	1511035 C-W	415725!	15186 C-R	472189A	15223TB TRSCM	470625!
15065LUP	JN-MN	442874	1511035 WOOL	415725!	151876 WAUKE	471413!	15223VTB TRSCM	470625!
15067LUP	JN-MN	416167!	15112 MICH	470004!	151879 WAUKE	471413!	15225 DIA	6532S=
1506RC	SUL	415995!	15112 UNIVE	470004!	15189 C-R	451857	15225 EATON	6532S=
1507+320-2109	STEM	370036A	15113 C-R	473228!*	151890 BRCWY	323138!	152257 ALLCH	416865!
1507+320-2109	STEM	370349A	15113A C-R	415437	15190 C-R	41461S	152264TA TRSCM	9363S
1507+320-2109	STEM	380036A	15113A C-R	415437!	15191VB TRSCM	474276	152270 JEFF	417490
15070 C-R		471820	15114G P-C	TCS45483	15192NA SPG	415192N	152275SH TRSCM	8940S
15070LPD	JN-MN	417533	15116 C-R	473228!	15192TB TRSCM	474276!	15228 C-R	474281!
15072STLUP	JN-MN	415076	15116A C-R	471766!	15192TB TRSCM	474276!	152283 JEFF	417073
15076 C-R		471820*	15118 C-R	473228!*	15193 SIDEW	204029	15229 C-R	474281!
15076LDS	JN-MN	417602!	1512 ALLCH	471766!	15193 SIDEW	204507!	1522B GOODM	472572!
15077 C-R		7886S*	1512 TRAC	471766!	151932VB TRSCM	443018!	1522D GOODM	472572!
1507800	ITM	BS40380	15120 C-R	473228!*	15194 C-R	451857*	1522T2 DIA	410308!
1507808	ITM	TCS45472	15120 C-R	473228*	15195 SPG	416556!	1522T2 WHITE	410308!
15079 C-R		7886S	15124 C-R	473228	15195 SPG	472157	1523 C-R	HU066A
15079	TMTR	471466!	15125 C-R	473228	151962R91 IH	415449	15230 C-R	474281!
1508+2131	STEM	370019A	15129 C-R	473228!*	15198 C-R	41461S	152302 JEFF	55155=
1508+320-2114	STEM	370019A	15129LPD JN-MN	30X47X7	151982KBJ TRSCM	3677	1523102 ITM	1012
1508+320-2131	STEM	370019A	1513 C-R	HU044A	15198LPD JN-MN	473229!	1523102 ITM	1012N
15080 C-R		40063S!	15130 C-R	473228!*	15199LDS JN-MN	7131	1523301 ITM	1213N
15081 C-R		471820	15131 C-R	473228!*	151R TIMKE	151PKG	15233VHY TRSCM	204013
15082 C-R		471820	15135 C-R	473228!*	152 C-R	5585	15234 C-R	471915*
150833M1	MASSE	415991	151371R91 IH	415449	15200 C-R	470487!	15234VB TRSCM	203013
150833M1	MASSE	455146!	15139 C-R	473228	1520103 ITM	471950	15235 C-R	450523*
15084 C-R		7886S	1514014 ITM	471224!	15201SS JN-MN	231404*	15236 C-R	450523
1508503	ITM	TCS45727	15141 C-R	473228!	15202 C-R	50345=	152372VH TRSCM	40059S
1508509	ITM	TCS45725	151417 AM WH	417596	15202 SPICE	50402	152373TB TRSCM	470380!
15086 C-R		471344	15141LDS JN-MN	415035	15202SP TRSCM	224015	152373VTB TRSCM	470059
15087 C-R		471344	15142 C-R	473228!	15202VB TRSCM	240319	152374TBP TRSCM	472189A!
15087	EATON	415991	15143LDS JN-MN	474281!	15203SP TRSCM	1217	152374TBP TRSCM	9613S
15087	EATON	415991!	15147 C-R	473228!*	15203TB TRSCM	481163!	152375SA TRSCM	410059
15087	FULLE	415991	15147 SPG	415449!	15203TB TRSCM	6759S	152375SA TRSCM	470059
15087	FULLE	415991!	15149 SPG	417343!	15204 C-R	450984*	1523D GOODM	473238
15089LPD	JN-MN	227550	1515 C-R	HU028A	1520503 ITM	1174	1524 C-R	HU070A
15089LPD	JN-MN	75X100X12!	1515+2132 STEM	415058	1520503 ITM	38X52X8.5!	1524-2 DAVIS	471766
1509 C-R		HU003A	1515+320-2132 STEM	415058	15206 C-R	9613S	15240 C-R	450326

! Industrial Size/Type * Minor Width Difference = Call 1-800-480-1212 for price and delivery.

NUMERICAL

Zero Duplication or Recommended		Zero Duplication or Recommended		Zero Duplication or Recommended		Zero Duplication or Recommended		
Mfr. No.	Name Industrial	Mfr. No.	Name Industrial	Mfr. No.	Name Industrial	Mfr. No.	Name Industrial	
1524018	ITM	1174	1529A WAYNE	474254!	15343 C-R	452222	154507 CASE	477123=
1524018	ITM	38X52X8.5!	152R TIMKE	152PKG	153463521 TOWNR	200322	15451 C-R	223802
152407XX	TIMKE	15X24X7	153-124-04 TROS	323138!	153507XX TIMKE	15X35X7	15451LPD JN-MN	471645
15241	C-R	471958	1530 C-R	HU014A	15353 C-R	710214	15457LPD JN-MN	412861
152427	FUNK	473228	15300 C-R	1205	15355 DIA	5951	15460 C-R	8695S
15242VB	TRSCM	40063S!	15300 C-R	1205N	15355 EATON	5951	154615H1 IH	410308!
152435B	TRSCM	471820	15300 C-R	321416	1535606 ITM	473210	154615H1 IH	473468
152443TL	TRSCM	471344	153002 WAUKE	471466!	1536 C-R	HU012A	15462 C-R	4244
152468	JEFF	417621!	153007XX TIMKE	15X30X7	1536301 ITM	1174	15463 C-R	472213
152469	JEFF	416125!	153032 ALLCH	415960!	1536301 ITM	38X52X8.5!	1546RC SUL	471549!
1524D	GOODM	450084!	15303TB TRSCM	471958	15364A MASSE	240385	1547 ALOY	473459
15250	C-R	210914	15304804 TROS	473406!	1537 ALOY	9569S	15471LPD JN-MN	471492
15250	MURRA	417316!	15305 C-R	8610	153706XX TIMKE	15X37X6	15473STLUP JN-MN	509756=
152505SA	TRSCM	473229	15305 SPG	415991	153710 JEFF	417344!	154745 JEFF	471281!
152505XX	TIMKE	15X25X5	1530501 ITM	1181	153716 HYST	200885	154745 SUL	471281!
152506XX	TIMKE	15X25X6	1530501 ITM	41X56X7!	153717 HYST	JV1371	154751 JEFF	471103!
152507XX	TIMKE	15X25X7	1530505 ITM	1181	15372 C-R	710118	154751 JOY	471103!
15252	JA-MI	6283S	1530505 ITM	41X56X7!	153725 JEFF	416288!	154774 WAUKE	420
15252	JAE	6283S	15305607 TROS	471137	15373 C-R	40369S	1548OS JN-MN	415991
15253	C-R	450540	15306 C-R	8611N	15374 C-R	8610	1548OS JN-MN	455146!
152536	JEFF	473235!	15306 SIDEW	204017	15376 C-R	8940S	1548RC SUL	416891!
152535B	TRSCM	473228	153097 WAUKE	417546!	15379S SPG	415379	15491LPD JN-MN	33X50X12!
15253TB	TRSCM	473228!	153097A WAUKE	455071N=	1537D5 WHITE	471689!	15493 TLSMI	240816
152542	JEFF	416271!	1531 C-R	HU007A	1537OS JN-MN	417316!	154935 HOUGH	415379
15255	C-R	6922=	15310 C-R	710123	1538 ALLCH	471271!	154935H1 HOUGH	415379
15255SA	TRSCM	473228	15310007 TROS	450593!	1538 C-R	HU011A	1549OS JN-MN	415449!
1525601	ITM	1213N	15310407 TROS	473419	1538 TRAC	471271!	154G119-90 GR-DV	417210!
152563TB	TRSCM	410190	15310607 TROS	450044	1538170 OSHKO	370003A	154G119-91 GR-DV	415072
152565TA	TRSCM	410190	15310805 TROS	476838!	15382 C-R	712011	154G119-92 GR-DV	415116
15257	C-R	455308	15310807 TROS	476838!	15382 NEWPR	3173	154G119-93 GR-DV	416888!
15258	C-R	455308	15311007 TROS	450482	15382 NEWPR	710928	154G149-72 GR-DV	417247!
1526	C-R	471539!	1531102 ITM	1214	15388 SIDEW	473367	154G149-73 GR-DV	417548
152607XX	TIMKE	15X26X7	1531102 ITM	1214N	1538D5 WHITE	473203	154R TIMKE	154PKG
1526103	ITM	224100	153114 JEFF	471466!	1538F ALOY	6815	155 C-R	5390
1526103	ITM	40X65X10!	153115 JEFF	413247!	1538OS JN-MN	417269!	15500 C-R	710233
152623TB	TRSCM	470682	153116 JEFF	416163	1539027 ONAN	205017	1550001 ITM	1994
15262VH	TRSCM	41461S	153117 JEFF	416666	1539675 FMC	327303!	1550001 ITM	48X70X9!
1526302	ITM	472213	153119 HYST	473236!	1539676 FMC	417551	15502 C-R	4244
15263SL	TRSCM	451857	15312 C-R	710122	1539F OSHKO	416107!	15502 CHRYS	7412S
152645P	TRSCM	8610	15312406 TROS	323138!	1539F OSHKO	455073	155044 HOUGH	415483!
1527	C-R	HU019A	153128H1 HOUGH	455509	153R TIMKE	153PKG	1550555 CLARK	471341!
15270	C-R	710247	153139 US-EL	470565!	154005 JEFF	416339	1550556 CLARK	471344
15272	SPG	416706!	15315 NPG	472572	154005 JEFF	455031!	1550559 CLARK	5751
152735B	TRSCM	473440!	1531501 ITM	1180	154005 SUL	416339	15506 C-R	330749V
15275TC	TRSCM	474281	1531501 ITM	41X55X7!	154005 SUL	455031!	155079 BENDI	455079!
152772	AM WH	416149	15315SA SPG	415984!	154007XX TIMKE	15X40X7	15508 C-R	8421S
15278	CHAMP	370054A	153207XX TIMKE	15X32X7	15401A C-R	473214	15508LUP JN-MN	223035
1528	C-R	HU028A	153208XX TIMKE	15X32X8	154040 JA-MI	472179	15509 C-R	7994S
152807XX	TIMKE	15X28X7	15325 C-R	470059	154040 JAE	472179	1550929 CHRYS	471827
15281SA	SPG	417349	15325 C-R	470380!	154041 JA-MI	472185!	1550988 CLARK	472179
152833TB	TRSCM	471915	15326 C-R	470059	154041 JAE	472185!	1550989 CLARK	413247!
152848	HYST	417488!	15326 C-R	470380	1540501 ITM	32X58X8!	1550990 CLARK	416282
152857	HYST	415303!	1532901 ITM	1174	15408A C-R	471466	1550992 CLARK	417353!
152863	HYST	416278	1532901 ITM	38X52X8.5!	15409 SIDEW	473228	15509928 GMC	470625!
152877	JEFF	473367!	153291 WAUKE	471255!	154141 JEFF	417210!	1551061 CHRYS	6636S
152877	JEFF	473367	153291B WAUKE	471255!	15415LDS JN-MN	416556!	15510627 GMC	471271!
15287A	MASSE	473467	153291C WAUKE	417365	15415LDS JN-MN	472157	15510775 GMC	415066
152883	HYST	416888!	15329A C-R	412473!	15419 SPG	417492	15510805 TROS	350974!
152885	HYST	415725!	15330 C-R	452222!	1542 C-R	HU013A	15510919 GMC	9773
152886	HYST	J1136	153314 HYST	472015!	154253 CASE	471424!	15511 C-R	340927
152892	CUMMI	470059H=	153318A OLIVE	450073	154269 SIMPL	473157	15511060 GMC	415458
15290	C-R	473228	15332 C-R	452222!	1543 C-R	HU009A	15511066 GMC	416654
15292	C-R	710318*	153322 HYST	417247!	154344H2 IH	415854	15511078 GMC	412473
15292	C-R	710319	1533302 ITM	1208	154347R91 IH	471224!	15511083 GMC	712937
1529304	ITM	224045	1533302 ITM	48X72X7!	15439LPD JN-MN	470954!	15511087 GMC	722250
1529304	ITM	40X62X12!	1533303 ITM	1969	1543F OSHKO	416158	15511129 GMC	416654!
152934	HOUGH	470898	1533303 ITM	48X63X9!	1544 ALOY	472070	15511587 GMC	416282
152934H1	HOUGH	470898	153334R1 IH	240733	15440 C-R	710046	15511791 GMC	472636!
15294A	C-R	471539!	15338 C-R	452222!	154437R91 IH	471224!	15512 C-R	40X50X8!
152953	US-EL	472070	1534 C-R	HU008A	15445 C-R	1126	15512 C-R	710158
15296A	C-R	471442!	15341 C-R	470059	15445 C-R	710120	15512274 GMC	476023V1=
15298	C-R	710309	15341 C-R	470380	15450 C-R	472635	15512423 GMC	100263

! Industrial Size/Type * Minor Width Difference = Call 1-800-480-1212 for price and delivery.

Zero Duplication or Recommended		Zero Duplication or Recommended		Zero Duplication or Recommended		Zero Duplication or Recommended					
Mfr. No.	Name	Mfr. No.	Name	Mfr. No.	Name	Mfr. No.	Name				
15512423	GMC	3905	15527580	GMC	481181!	15527652	GMC	2081	1554005	ITM	224820
15512458	GMC	4561V	15527581	GMC	204017	15527653	GMC	417158!	1554005	ITM	48X62X8!
15512458	GMC	473274!	15527582	GMC	473367	15527654	GMC	417158!	155402	HYST	J1111
15513351	GMC	722250	15527583	GMC	473367	15527655	GMC	417134	155403	HYST	412920
15515	C-R	473517!	15527584	GMC	473010!	15527656	GMC	2674	15541	C-R	472299*
15516	C-R	473517!	15527585	GMC	473234	15527657	GMC	416500	15542	C-R	472299
15517	C-R	473517!*	15527586	GMC	450400	15527658	GMC	417349!	15542	SIDEW	471692!
15518	C-R	473517*	15527587	GMC	42352S	15527659	GMC	415995!	15543	C-R	472299
15519013A	HARWA	155X190X15	15527588	GMC	9845	15527660	GMC	8976S	15543	EMRSN	472299
15519908	GMC	370011A	15527589	GMC	472164!	15527661	GMC	416297	15544	C-R	40438S
15519910	GMC	370011A	15527590	GMC	472164	15527663	GMC	5313	15546	C-R	2506
1552001	ITM	224550	15527591	GMC	472164	15527664	GMC	6358	15546800	GMC	9613S
1552001	ITM	45X65X8!	15527592	GMC	472193!	15527665	GMC	416292	15549	C-R	472299
15520072	GMC	370145A	15527593	GMC	472179	15527666	GMC	415085!	15550	C-R	472299
15521	C-R	472213	15527594	GMC	471141!	15527666	GMC	456648	15550869	GMC	370003A
15521874	GMC	710102	15527595	GMC	472747	15527667	GMC	455249!	15551	C-R	472299
15521904	GMC	710106	15527596	GMC	2942	15527668	GMC	455858	15551435	GMC	473471
15522	C-R	472213	15527597	GMC	472439	15527669	GMC	415146!	15557	C-R	450666*
15522060	GMC	4762N	15527598	GMC	331227H	15527669	GMC	415991	15557677	GMC	370003A
15522062	GMC	710105	15527599	GMC	7107A=	15527670	GMC	415991	15557678	GMC	370023A
15523	C-R	472213	15527600	GMC	414045!	15527671	GMC	415437	155577	HYST	471538!
15524	C-R	472213	15527601	GMC	6808N	15527672	GMC	417355!	15557LUP	JN-MN	472164!
15524A	C-R	415697!	15527602	GMC	473459	15527672	GMC	485497	15558LUP	JN-MN	450446
15524A	C-R	455547	15527603	GMC	472394	15527673	GMC	415983N!	155627A	OLIVE	417344!
155256	HYST	415498	15527604	GMC	471424!	15527674	GMC	2377	155627A	WHITE	417344!
15526364	GMC	415234!	15527605	GMC	472924!	15527675	GMC	415379!	15563	C-R	450666*
15526365	GMC	415960	15527606	GMC	470530!	15527676	GMC	415697!	15566LDS	JN-MN	471271!
15526366	GMC	417484!	15527607	GMC	470530!	15527677	GMC	415958!	15569	C-R	471821!
15526367	GMC	100494	15527608	GMC	473463	15527677	GMC	415958	1557	ALOY	6808N
15526367	GMC	476470!	15527609	GMC	410102	15527678	GMC	456618	15570	C-R	471821!
155265TB	TRSCM	8695S	15527610	GMC	6954S	15527679	GMC	417506	15574LUP	JN-MN	455037
15527296	GMC	727410	15527611	GMC	5756	15527680	GMC	6864S	15575957	GMC	415991
15527297	GMC	470954	15527612	GMC	470898	15527681	GMC	417530	15577SA	SPG	415577
15527541	GMC	471554!	15527613	GMC	470898!	15527682	GMC	415351!	15579	C-R	471821!
15527542	GMC	471231!	15527614	GMC	470898	15527683	GMC	7006S	15579788	GMC	710046
15527543	GMC	471267!	15527615	GMC	410308!	15527684	GMC	2297V!	155801	CH MA	410496!
15527545	GMC	472311!	15527615	GMC	473468	15527755	GMC	370132A	155802	CH MA	350936
15527546	GMC	471224!	15527616	GMC	410308!	15527763	GMC	415958	15580225	GMC	714503
15527547	GMC	471649!	15527617	GMC	472409	15527780	GMC	370124A	15580226	GMC	330385!
15527548	GMC	471689!	15527618	GMC	3103!	15527781	GMC	416888	155803	CH MA	8597S
15527549	GMC	471760	15527619	GMC	471341!	15527LDS	JN-MN	455406!	15580329	GMC	714503
15527550	GMC	472560N	15527621	GMC	410737!	15528	BU-SP	472439	15580381	GMC	472572
15527551	GMC	470712!	15527622	GMC	410737!	155280	JEFF	416288!	155805	CH MA	471351!
15527552	GMC	471763	15527623	GMC	472636!	15529	BU-SP	415379	155806	CH MA	472164!
15527553	GMC	471785!	15527624	GMC	44052	1553	CALI	416107!	155807	CH MA	473228!
15527554	GMC	473425	15527625	GMC	411253!	1553	CALI	455073	155807A	OLIVE	416339
15527555	GMC	471765!	15527626	GMC	493291	15530	C-R	200887	155809	CH MA	481163!
15527556	GMC	240356	15527627	GMC	493637	15530288	GMC	710281	155810	CH MA	410308!
15527557	GMC	322353	15527628	GMC	413246	155314	HYST	472015!	155813	CH MA	7537S
15527557	GMC	474278!	15527629	GMC	412119!	155316PSB	TRSCM	5778	155819	CH MA	6371=
15527558	GMC	7412S	15527630	GMC	410987!	155318A	OLIVE	450073	155820	CH MA	471835!
15527559	GMC	471750!	15527631	GMC	5487	155318A	WHITE	450073	15582172	GMC	6358
15527560	GMC	471766!	15527632	GMC	471271!	15533	C-R	472299	15582232	GMC	415960
15527562	GMC	471795	15527633	GMC	415449!	155331A	OLIVE	416125!	15582257	GMC	710304
15527563	GMC	6370N	15527634	GMC	415449!	155331A	WHITE	416125!	155831	CH MA	340817
15527564	GMC	472354!	15527635	GMC	8975S	15533564	GMC	415082	15583783	GMC	9316
15527565	GMC	482163!	15527636	GMC	455079!	15534	C-R	472299	155838	CH MA	471272!
15527566	GMC	472258!	15527637	GMC	5401	15534471	GMC	HU042A	15583894	GMC	100263
15527567	GMC	471192	15527638	GMC	411330!	155346	HYST	417343!	15583894	GMC	4562V
15527568	GMC	473214!	15527639	GMC	451143	155346A	OLIVE	473473	155843	CH MA	6575S
15527569	GMC	473215	15527640	GMC	413248	155346A	WHITE	473473	155846	CH MA	473235!
15527570	GMC	6241S	15527641	GMC	415458!	15535	C-R	8935S	15585	C-R	471821!
15527571	GMC	473258!	15527642	GMC	415458!	15535	TMTR	471763	155856	CH MA	473454!
15527572	GMC	474276	15527643	GMC	9773	15535300	GMC	415995	155862	CH MA	416339
15527573	GMC	470625!	15527644	GMC	455008	15536	CATER	472397!	155863	CH MA	472636!
15527574	GMC	340136	15527645	GMC	417484!	15536	TMTR	472397!	1558633	GMC	415088
15527575	GMC	470380!	15527646	GMC	417484!	155361	HYST	JX1190	15588359	GMC	710101
15527576	GMC	470059	15527647	GMC	417316!	155371	HYST	415867	15588691	GMC	370199A
15527576	GMC	470380!	15527648	GMC	2222	15538	C-R	472299*	15588691	ROCKW	370199A
15527577	GMC	9613S	15527649	GMC	415960!	155384	AMC	471141!	15588692	ACDEL	370211A
15527578	GMC	471827	15527650	GMC	415960	15539	C-R	40438S	15588692	GMC	370211A
15527579	GMC	473229!	15527651	GMC	415960!	15540	C-R	472299	15588693	GMC	370212A

! Industrial Size/Type * Minor Width Difference = Call 1-800-480-1212 for price and delivery.

Zero Duplication or Recommended		Zero Duplication or Recommended		Zero Duplication or Recommended		Zero Duplication or Recommended		
Mfr. No.	Name	Mfr. No.	Name	Mfr. No.	Name	Mfr. No.	Name	
155887	HOUGH	415938	156275SA TRSCM	473441	15668LUP JN-MN	471649!	157305 WITTE	411245!
155887H2	HOUGH	415938	15628LDS JN-MN	416891!	1567 ALOY	9150S	15730504 GMC	370199A
155887H2 IH		415938	1563 ALOY	6954S	15676 C-R	450143	15731 C-R	450545*
15589475	GMC	6358	15634 C-R	473229	15676LUP JN-MN	416313	15733 C-R	224063
15589666	GMC	710103	15634020 GMC	4525V	15677 C-R	450143*	15735 C-R	471316*
15590 C-R		471821!	15634058 GMC	473237	15679880 GMC	370003A	15736 C-R	710505
1559008	ONAN	473445	15634LDS JN-MN	472394	15679881 GMC	370023A	15737 C-R	4764
15591 C-R		471821!	15635 C-R	473229	1568 C-R	HU031A	1574 ALOY	7044NA
15592 C-R		471821!*	15635 C-R	473229*	15680A MASSE	330385!	15741 C-R	3459
15594384	GMC	473471	15635 C-R	711552	156846R91 IH	240816	15742 C-R	3459
15595878	GMC	470530	15635260 GMC	714655	1568501A SIDEW	473215!	15744 C-R	6336S
1559802	ITM	1955	15635281 GMC	470530	15686 C-R	470682	15744A MASSE	471192
1559802	ITM	52X65X9!	15635334 GMC	415449	15687 C-R	470682	15746 C-R	473677
1559809	ITM	1012	15635337 GMC	7412S	15687419 GMC	370048A	15748 C-R	450803
1559809	ITM	1012N	15635377 GMC	7412S	15687419 GMC	380048A	15749 C-R	450803
1559819	ITM	BS40382	15636443 GMC	224850	1568762 CHRY	472354!	157496R91 IH	415995!
155R	TIMKE	155PKG	1564 C-R	HU037A	15688S SPG	418028	15750 C-R	3459
155X190X15	SIMRT	155X190X15	1564114 CLARK	413247!	1569 C-R	HU036A	15752 C-R	473441
15600 C-R		471827!	15641LPD JN-MN	417210!	1569 CLSON	471526!	15753 C-R	1216
156004	GMC	416921!	15642 C-R	473229!	15690 C-R	42X80X8	15753 C-R	1216N
156005	GMC	415284	15643 C-R	473229!	15692 C-R	470682	15760 C-R	473441
15601 C-R		471827*	15644A MASSE	471192	15693A MASSE	50199S!	15761 C-R	473441*
156019	GMC	417344!	15646 FMC	417344!	15693A MASSE	6863S!	15764 C-R	450273
156020	GMC	473243	15648 C-R	40185	15698 C-R	470682	15765 C-R	450273
15602640	GMC	5682	15649 C-R	42364S=	1569894 CHRY	340797	15766 C-R	450273
156042	HYST	413247!	1565 ALOY	442380	15699 C-R	470682	15767LDS JN-MN	473234!
15604806	TROS	470390	1565 C-R	HU066A	1569915 CHRY	410308!	15769 C-R	450273
15605 C-R		471827*	15651 C-R	473229!	156B12404 TROS	472354!	1577 ALOY	5778
156082	US-EL	471821!	15651660 GMC	4739	156D6 WHITE	415041	15770LDS JN-MN	473229!
1561 C-R		471270!	15651661 GMC	4740	156ML14 C-R	472560N!	15771 C-R	471827
15610004	TROS	471733	1565254 CHRY	5471\$	1570 ALOY	2955	15773 C-R	473442!*
15610007	TROS	471733	156533 IH	472397!	1570 C-R	HU034A	15774 C-R	473442!*
15610807	TROS	470712!	15654 C-R	473229!	15702 C-R	6336S	15775 C-R	473442!
15611171	GMC	370008A	15655 C-R	473229!	15703555 GMC	370023A	15776 C-R	473442!*
15611204	TROS	472475	15655172 GMC	4740	15703555 GMC	380023A	15777 C-R	471827
15611205	TROS	472475	156553C91 IH	472397!	15707 C-R	471316*	15779 C-R	473442
15611604	TROS	471737	15656 NATL	415656	157078 HOUGH	417269!	15780 C-R	473442
15612 C-R		450188	15656 WMG	415656	157078H1 HOUGH	417269!	15780 C-R	5778
15612007	TROS	473423	15657 BU-SP	470625!	157078H3 IH	417269!	15781 C-R	473442!
15612404	TROS	472354!	15658 BU-SP	412119!	157103 HOUGH	6590S	15784 C-R	6808N
15612406	TROS	472354!	156599 GOODM	471138!	157103H1 HOUGH	6590S	157844 HYST	417316!
15612407	TROS	472354!	15660 C-R	200640	157106 HOUGH	472924!	1578532 CLARK	370002A
15613 C-R		471827!	156602 HOUGH	415458!	157106H1 HOUGH	472924!	15788 C-R	5778
15613203	TROS	253099	156602H2 HOUGH	415458!	157106H2 HOUGH	472924!	157884 HYST	417316!
15614 C-R		472560N!	15661460 GMC	4333N	157106H3 IH	472924!	1579 ALOY	410059
15614M1	BUG-E	472560N!	15661495 GMC	710211	157113H1 IH	204078=	1579 ALOY	470380!
15614M1	C-R	472560N!	1566167 CLARK	472258!	157120H2 IH	473517!	15790 C-R	474133
15616050	GMC	714512	1566169 CLARK	473197	157136 AUTOZ	35126	15791 C-R	5778V
156168	HYST	417278	1566172 CLARK	470950!	157137 AUTOZ	35162	15796 C-R	3459
15617178	GMC	6759S	1566172 CLARK	6241S	157141 JEFF	417210!	15800 C-R	224052
15617869	GMC	5682	1566175 CLARK	470380!	157141 SUL	417210!	15801 C-R	224015
15620 C-R		471827!	1566179 CLARK	470596	157145 AUTOZ	35261	15801LDS JN-MN	416167!
156200	HYST	416229	1566181 CLARK	472164!	157166A WHITE	472492!	15802 C-R	224015
156202SB	TRSCM	8421S	1566190 CLARK	472492!	15719 C-R	471316	15802 C-R	239201
156202VB	TRSCM	7994S	1566195 CLARK	415349	15721 C-R	481397*	15802 C-R	4175*
156202VSB	TRSCM	330749V	1566199 CLARK	415234!	157217 AUTOZ	16215	15803 C-R	1217
156205	HYST	471424!	1566208 CLARK	417082	157218 AUTOZ	16216	15804 C-R	224010
156210A	OLIVE	471554!	1566211 CLARK	416664!	15722 C-R	471579*	15805 C-R	1962
156210A	WHITE	471554!	1566221 CLARK	417247!	157220 AUTOZ	16269	15805 C-R	224015
156220	HYST	415897	1566224 CLARK	415458!	157221 AUTOZ	16268	15807 C-R	1213N
156220TZ	TRSCM	472213	1566225 CLARK	416107!	157223 AUTOZ	16316	15807 C-R	40X54X6!
156223	HYST	415458!	1566225 CLARK	455073	157224 AUTOZ	16217	15808 C-R	1178
156233TB	TRSCM	472299	1566231 CLARK	416345!	157227 AUTOZ	16267	15809 C-R	710284
156234	HYST	416339	15662465 GMC	4503N	15724 C-R	471498*	1581 C-R	HU028A
1562431SL	TRSCM	471821	1566326 GMC	9773	15724LUP JN-MN	417355!	1581 CHEL	472258
156243TB	TRSCM	471821!	15663537 GMC	370001A	15725 C-R	471316	15810 C-R	1213N*
156245TB	TRSCM	471827!	15665322 GMC	416654	157269R91 IH	471413	15810 C-R	40X54X6!
156252VHY	TRSCM	40185	15665326 GMC	9773	15728 C-R	471633!*	15810LUP JN-MN	415027
156253SB	TRSCM	472213	15665670 GMC	370005A	1572813 CATER	J2529	15815 C-R	224020
156253TB	TRSCM	473229!	15666 C-R	5790=	15729LDS JN-MN	472397!	15818 C-R	224020
156255SA	TRSCM	200640	1566687 CLARK	417040	1573 ALOY	331107N	15819 C-R	473677
15626 C-R		471827	156670R91 IH	473459	15730 C-R	471316	1582 WHITE	470565!

! Industrial Size/Type * Minor Width Difference \$F-M Number Is Part Of A Kit = Call 1-800-480-1212 for price and delivery.

Zero Duplication or Recommended			Zero Duplication or Recommended			Zero Duplication or Recommended			Zero Duplication or Recommended		
Mfr. No.	Name	Industrial	Mfr. No.	Name	Industrial	Mfr. No.	Name	Industrial	Mfr. No.	Name	Industrial
15820	C-R	40X55X8!	15864	C-R	712011	159563	JEFF	415725!	15X28X7SC	TRSCM	15X28X7
15820	C-R	473677	15865	C-R	40X78X10!*	159566	JEFF	471267!	15X28X7TC	TRSCM	15X28X7
15821	C-R	40X55X8V	15865	C-R	40X78X8!	159568	JEFF	417357	15X30X7SB	TRSCM	15X30X7
15822	C-R	224020	15866	C-R	1036	159568	JEFF	455192!	15X30X7SC	TRSCM	15X30X7
15822	C-R	40X55X8!	15867	C-R	1146	15957	C-R	450065	15X30X7TC	TRSCM	15X30X7
15822A	C-R	472015!	158685	ALLCH	415991	159572	HYST	416624!	15X32X7AN(35)	ISP	15X32X7
15823	C-R	224020	158685	ALLCH	455146!	15960	C-R	482253	15X32X8SC	TRSCM	15X32X8
15823	C-R	40X55X8!	15869	C-R	40X60X10*	159604	JEFF	472924!	15X32X8TC	TRSCM	15X32X8
15825	C-R	712551	15870	C-R	40X80X10	159614	ALLCH	416339	15X35X7SC	TRSCM	15X35X7
15826	C-R	224026	15871	C-R	40X80X10V	159614	ALLCH	455031!	15X35X7TC	TRSCM	15X35X7
158262	JEFF	471281!	15872	C-R	40X80X10	159615	ALLCH	415072	15X37X6SC	TRSCM	15X37X6
15827F	OSHKO	415255!	15873	C-R	40X80X10V	15965961	GMC	370008A	15X37X6TC	TRSCM	15X37X6
15828	C-R	712551	15874A	MASSE	415458!	15968	C-R	451469*	15X484	MINNM	473450!
15830	C-R	40X57X10	15874X	MASSE	415458!	15969	SPICE	42763	16 WGEAR		471692!
15830	C-R	710432	15876	C-R	40X58X10	159691	SPICE	473444	16-5600-6	CNTIR	S-1012N
15835	C-R	3459	15876SA	SPG	415876	159693	SPICE	42763	16-5601-4	CNTIR	S-1126
15835	C-R	40X58X10!	15877	C-R	40X80X10*	159697	SPICE	42763	16-5602-2	CNTIR	S-1174
15835	C-R	40X58X8	15878	C-R	40X68X12	159727	JEFF	415303!	16-5603-0	CNTIR	S-1177
158354A	OLIVE	470954!	15880	C-R	40X85X8	159728	JEFF	417487	16-5604-8	CNTIR	S-1181
158354A	WHITE	470954!	15881	C-R	1213N	15973123	GMC	370120A	16-5605-6	CNTIR	S-1183
158358A	OLIVE	471224!	15882	C-R	712011	15975	C-R	450274*	16-5606-4	CNTIR	S-1188
158358A	WHITE	471224!	15882	C-R	712020	15978	C-R	710227	16-5607-2	CNTIR	S-1196
15836	C-R	3459	15883	C-R	712011	1598	KINNR	415995!	16-5608-0	CNTIR	S-1205N
15838	C-R	3459	15884G	P-C	TCS45483	15980	BU-SP	473467!	16-5609-8	CNTIR	S-1213N
15839	C-R	224040	15885	C-R	40X88X8	15981	BU-SP	415449!	16-5610-2	CNTIR	S-1217
15839	C-R	40X60X10!	15886	C-R	710113	15981A	MASSE	450400	16-5611-0	CNTIR	S-1883
15839LUP	JN-MN	415447	15887	C-R	710134	15982	BU-SP	416865!	16-5612-8	CNTIR	S-1884
15840	C-R	224040	15889LUP	JN-MN	411376!	15982769	GMC	370003A	16-5613-6	CNTIR	S-1932
15840	C-R	40X60X10!	1589	C-R	HU005A	15982869	GMC	370003A	16-5614-4	CNTIR	S-1948
15841	C-R	710147	15890	C-R	40X90X8	1599	ALOY	9912	16-5615-2	CNTIR	S-1950
158411	GOODM	417541	1589010	OSHKO	HU110A	15990004	GMC	370008A	16-5616-0	CNTIR	S-1953
158412	GOODM	417506	15891	C-R	224066	15992A	MASSE	450516	16-5617-8	CNTIR	S-1955
1584174	CLARK	455079!	15894G	P-C	TCS45483	15993A	MASSE	472015!	16-5618-6	CNTIR	S-1956
15842	C-R	710147	15896	NPG	4333N	15994	OLIVE	450129	16-5619-4	CNTIR	S-1960
15843	C-R	710202	15899NA	SPG	415899N	15994	OLIVE	472826!	16-5620-8	CNTIR	S-1962
15844	C-R	710147	15899NA	SPG	416624	15995	C-R	7456N	16-5621-6	CNTIR	S-1973
158444A	OLIVE	473231!	15899SA	SPG	415899N	15A10671	MINNM	204008	16-5622-4	CNTIR	S-1984
158444A	WHITE	473231!	15899SA	SPG	416624	15A11584	MINNM	470565!	16-5623-2	CNTIR	S-1987
15845	C-R	40X62X8!	1590	ALOY	9161	15A14589	MINNM	472258!	16-5624-0	CNTIR	S-1992
15846	C-R	40X62X8!	15900	C-R	4141	15A14589	WHITE	472258!	16-5625-8	CNTIR	S-1994
15846	C-R	710196	15902	C-R	710131	15A15742	MINNM	473473	16-5626-6	CNTIR	S-2002
15847	C-R	40X62X7	159035	ALLCH	417487	15A16195	MINNM	471224!	16-5627-4	CNTIR	S-2007
15848	C-R	224045	159036	ALLCH	471272!	15A72	MINNM	471750!	16-5628-2	CNTIR	S-203013
15849	C-R	1216	15904	C-R	43074S	15A8155	MINNM	415116	16-5629-0	CNTIR	S-203025
15849	C-R	1216N	15907J	DIA	6638S	15FM41A1	FAIRB	472951	16-5630-4	CNTIR	S-204013
15850	C-R	224100	15910	C-R	710436	15FM41A1	FAIRB	474252	16-5631-2	CNTIR	S-204017
15850	C-R	40X65X10!	15910LDS	JN-MN	415995!	15FM41A2	FAIRB	473016!	16-5632-0	CNTIR	S-204038
15850	C-R	474161	15910LDS	JN-MN	415995!	15FM41A4	FAIRB	416273!	16-5633-8	CNTIR	S-2043
15851	C-R	224045	15915	C-R	480581=	15G47	OSHKO	471689!	16-5634-6	CNTIR	S-2081
15851	C-R	40X62X8!	159178	HYST	416130!	15HU-027-008	GKN	714675	16-5635-4	CNTIR	S-2146
15852	C-R	224100	159183	HYST	416039	15JG-1	KEN	415991!	16-5636-2	CNTIR	S-223420
15852	C-R	40X65X10!	15920	C-R	710140	15JG-1	KEN	415991	16-5637-0	CNTIR	S-223542
15853	C-R	224068*	159200	JEFF	470059	15JG-2	KEN	471570!	16-5638-8	CNTIR	S-223543
15853	C-R	40X68X12!*	159200	JEFF	470380!	15JG-3	KEN	240731	16-5639-6	CNTIR	S-223605
15854	C-R	40X68X12	159213PSL-H	TRSCM	480581	15JG-4	KEN	417349	16-5640-0	CNTIR	S-223830
15854	C-R	40X68X8!	15924	C-R	471498*	15JG-5	KEN	471224	16-5641-8	CNTIR	S-223840
15855	C-R	40X70X8	15925A	C-R	474272	15JG-6	KEN	415983N!	16-5642-6	CNTIR	S-224015
158550	ALLCH	472179	159295	HYST	45637S	15JG7	KEN	456744N	16-5643-4	CNTIR	S-224026
158556	CUMMI	415035=	15929LUP	JN-MN	417501	15M-11	SPICE	340356	16-5644-2	CNTIR	S-224235
15856	C-R	710196	15933	C-R	450065	15M-2	SPICE	340815	16-5645-0	CNTIR	S-224772
15857	C-R	40X72X7	159372	WAUKE	470625!	15M1	SPICE	472179	16-5646-8	CNTIR	S-224820
158577	HYST	9600S	15942	C-R	450065	15P562	MINNM	473467!	16-5647-6	CNTIR	S-225110
15858	C-R	224068*	159483	WAUKE	470645	15X24X7SC	TRSCM	15X24X7	16-5648-4	CNTIR	S-225225
15859A	C-R	470606!	1595	ALOY	473228	15X24X7TC	TRSCM	15X24X7	16-5649-2	CNTIR	S-225230
15859A	MASSE	472157!	15951	SIDEW	450492	15X25X5	ISP	15X25X5!	16-5650-6	CNTIR	S-226285
15859A	MASSE	472157	15952X	MASSE	472164!	15X25X5ASN	ISP	15X25X5	16-5651-4	CNTIR	S-22686
15860	BU-SP	415072	159533	JEFF	455079!	15X25X6SC	TRSCM	15X25X6	16-5652-2	CNTIR	S-2506
15860	C-R	350572	15953X	MASSE	473421	15X25X6TC	TRSCM	15X25X6	16-5653-0	CNTIR	S-2655
15860	C-R	40X72X7!	15954	C-R	450065*	15X25X7SC	TRSCM	15X25X7	16-5654-8	CNTIR	S-2658
15862	C-R	712011	15955	C-R	450065*	15X25X7TC	TRSCM	15X25X7	16-5655-6	CNTIR	S-2692
15863	C-R	474133	159556	JEFF	471267!	15X26X7SC	TRSCM	15X26X7	16-5656-4	CNTIR	S-2955
15864	C-R	40X75X8!	159562	JEFF	415725!	15X26X7TC	TRSCM	15X26X7	16-5657-2	CNTIR	S-3087

! Industrial Size/Type * Minor Width Difference = Call 1-800-480-1212 for price and delivery.

NUMERICAL

Zero Duplication or Recommended		Zero Duplication or Recommended		Zero Duplication or Recommended		Zero Duplication or Recommended	
Mfr. No.	Name	Mfr. No.	Name	Mfr. No.	Name	Mfr. No.	Name
16-5658-0	CNTIR	16-5731-4	CNTIR	16018510A	HARWA	16072	C-R
16-5659-8	CNTIR	16-5732-2	CNTIR	16019	C-R	16073	C-R
16-5660-2	CNTIR	16-5733-0	CNTIR	160196	JEFF	16076	C-R
16-5661-0	CNTIR	16-5734-8	CNTIR	1601M1	C-R	160763A	OLIVE
16-5662-8	CNTIR	16-5735-6	CNTIR	16020	EATON	160763A	OLIVE
16-5663-6	CNTIR	16-5736-4	CNTIR	16020	FULLE	16078	C-R
16-5664-4	CNTIR	16-5737-2	CNTIR	16021	C-R	16079	C-R
16-5665-2	CNTIR	16-5738-0	CNTIR	16022	C-R	16079LDS	JN-MN
16-5666-0	CNTIR	16-5739-8	CNTIR	16022A	MASSE	1608	C-R
16-5667-8	CNTIR	16-5740-2	CNTIR	16023	C-R	160809R91	IH
16-5668-6	CNTIR	16-5741-0	CNTIR	16025	C-R	16080LDS	JN-MN
16-5669-4	CNTIR	16-5742-8	CNTIR	1602537	WHITE	16081	C-R
16-5670-8	CNTIR	16-5743-6	CNTIR	16026	C-R	16081M	DIA
16-5671-6	CNTIR	16-5744-4	CNTIR	16027	C-R	16082	C-R
16-5672-4	CNTIR	16-5745-2	CNTIR	16027	C-R	16083	C-R
16-5673-2	CNTIR	16-5746-0	CNTIR	160273	HARRI	16084	C-R
16-5674-0	CNTIR	16-5747-8	CNTIR	1602788	WHITE	16085	C-R
16-5675-8	CNTIR	16-5748-6	CNTIR	16028	C-R	16085	C-R
16-5676-6	CNTIR	16-5749-4	CNTIR	16028M1	C-R	16086	C-R
16-5677-4	CNTIR	16-5750-8	CNTIR	16030	C-R	16088	C-R
16-5678-2	CNTIR	16-5751-6	CNTIR	16031	C-R	16089	C-R
16-5679-0	CNTIR	16-5752-4	CNTIR	16032	C-R	16090	C-R
16-5680-4	CNTIR	16-5753-2	CNTIR	16034	C-R	16091	C-R
16-5681-2	CNTIR	16-5754-0	CNTIR	16034	C-R	16092	C-R
16-5682-0	CNTIR	16-5755-8	CNTIR	160357A	WHITE	16097	C-R
16-5683-8	CNTIR	16-5756-6	CNTIR	16036	C-R	16098	C-R
16-5684-6	CNTIR	16-5757-4	CNTIR	16037	C-R	1609948C1	IH
16-5685-4	CNTIR	16-5758-2	CNTIR	16038	C-R	160X185X10	SIMRT
16-5686-2	CNTIR	16-5759-0	CNTIR	16039	C-R	160X185X10SC	TRSCM
16-5687-0	CNTIR	16-5760-4	CNTIR	1604	C-R	160X185X10TC	TRSCM
16-5688-8	CNTIR	16-5761-2	CNTIR	16040	C-R	160X190X15SC	TRSCM
16-5689-6	CNTIR	16-5762-0	CNTIR	16041	C-R	160X190X15TC	TRSCM
16-5690-0	CNTIR	16-5763-8	CNTIR	16043	C-R	160X200X12AN	ISP
16-5691-8	CNTIR	16-5764-6	CNTIR	160433A	OLIVE	160X200X15SC	TRSCM
16-5692-6	CNTIR	16-5765-4	CNTIR	160433A	WHITE	160X200X15TC	TRSCM
16-5693-4	CNTIR	16-5766-2	CNTIR	16044	C-R	161	DALMO
16-5694-2	CNTIR	16-5767-0	CNTIR	16044G	P-C	16100	MICH
16-5695-0	CNTIR	16-5768-8	CNTIR	16046	C-R	16100	UNIVE
16-5696-8	CNTIR	16-5769-6	CNTIR	16047	C-R	1610095	AMC
16-5697-6	CNTIR	16-5770-0	CNTIR	1605	C-R	16101	C-R
16-5698-4	CNTIR	16-5771-8	CNTIR	160502	JEFF	1610187M1	MASSE
16-5699-2	CNTIR	16-5772-6	CNTIR	16052	C-R	1610187M1	MASSE
16-5700-8	CNTIR	16-5773-4	CNTIR	160524A	OLIVE	161019	H-S
16-5701-6	CNTIR	16-5774-2	CNTIR	16053	C-R	161020A	OLIVE
16-5702-4	CNTIR	16-5775-0	CNTIR	16053	CLIN	16103	C-R
16-5703-2	CNTIR	16-5776-8	CNTIR	160530A	WHITE	16103	C-R
16-5704-0	CNTIR	16-5777-6	CNTIR	160539	AMC	16103550	FREIG
16-5705-8	CNTIR	16-5778-4	CNTIR	1605397	GMC	16104	NPG
16-5706-6	CNTIR	16-5779-2	CNTIR	1605397	GMC	161052	ACF
16-5707-4	CNTIR	16-5780-6	CNTIR	16054	C-R	161057	H-S
16-5708-2	CNTIR	16-D19	LK-BT	160540	AMC	161058	H-S
16-5709-0	CNTIR	16-D19	LK-BT	160546	JEFF	161075	JEFF
16-5710-4	CNTIR	16-D20	LK-BT	16054G	P-C	161076	JEFF
16-5711-2	CNTIR	160	C-R	16058	C-R	161077	JEFF
16-5712-0	CNTIR	1600149	WHITE	16060	C-R	161079	JEFF
16-5713-8	CNTIR	1600194	WHITE	160603	CUMMI	16108	C-R
16-5714-6	CNTIR	1600255	WHITE	16061	C-R	161080	H-S
16-5715-4	CNTIR	16003	C-R	16061	C-R	1611	C-R
16-5716-2	CNTIR	1600780	WHITE	16062	C-R	161100A	OLIVE
16-5717-0	CNTIR	1601	C-R	16063	C-R	1611035	WOOL
16-5718-8	CNTIR	16011	C-R	16064	C-R	1611035	WOOL
16-5719-6	CNTIR	16012	C-R	16064G	P-C	161106	H-S
16-5720-0	CNTIR	16012	CLIN	16066	C-R	16111	C-R
16-5722-6	CNTIR	16012	CLIN	16067	C-R	16112	C-R
16-5723-4	CNTIR	16012LUP	JN-MN	16068	TRMBL	161121	JEFF
16-5724-2	CNTIR	160132	ALLCH	16069	C-R	161124	JEFF
16-5725-0	CNTIR	160132	ALLCH	16069	C-R	161125	JEFF
16-5726-8	CNTIR	16014	C-R	160692H1	HOUGH	161125	JEFF
16-5727-6	CNTIR	16014L	C-R	16070	C-R	16113	C-R
16-5728-4	CNTIR	16014M1	C-R	16070	C-R	16113	C-R
16-5729-2	CNTIR	16015	C-R	16071	C-R	16114	C-R
16-5730-6	CNTIR	16017	C-R	16071SA	SPG	16115	JNSON

! Industrial Size/Type * Minor Width Difference = Call 1-800-480-1212 for price and delivery.

Zero Duplication or Recommended Industrial		Zero Duplication or Recommended Industrial		Zero Duplication or Recommended Industrial		Zero Duplication or Recommended Industrial		
Mfr. No.	Name	Mfr. No.	Name	Mfr. No.	Name	Mfr. No.	Name	
1634318	PACIF	417191	164007XX TIMKE	16X40X7	16509 C-R	42X58X7!	16546 C-R	710186
1634318	PACIF	455165!	16405 C-R	473444	16511 C-R	224215	165469 SPICE	410825
1634319	PACIF	415437	16406 C-R	473444!*	16511 C-R	474241V	16546LUP JN-MN	417505
1634320	PACIF	415027	164063 ALLCH	417597	165118 ALLCH	471689!	16547 C-R	7457N
1634320	PACIF	415027!	16416 C-R	450415	16512 C-R	224210	16547LUP JN-MN	417515
1634321	PACIF	415379!	16416 NPG	710046	165122A OLIVE	416921!	16548 C-R	224235
1634321	PACIF	415379!	16422 C-R	414268!	165122A WHITE	416921!	1654875C1 IH	710006
1634322	PACIF	416339	16422 C-R	414268*	165123A OLIVE	416557	1654887C92 IH	39930
1634323	PACIF	417366!	164263PTB TRSCM	8620N	165123A WHITE	415172	16548LUP JN-MN	455197N
1634324	PACIF	415034!	16426SS JN-MN	50199S!	165123A WHITE	416332!	16549 C-R	710517
1634325	PACIF	417357	16426SS JN-MN	6863S!	1651279C91 IH	100495	16549LUP JN-MN	455576*
1634325	PACIF	455192!	16428 C-R	450335	1651279C91 IH	4810V	1654G OSHKO	415088!
1634326	PACIF	416891!	16431 C-R	450335	1651280C91 IH	415995	1654G OSHKO	415088
1634327	PACIF	416154!	16432LUP JN-MN	228010	1651281C91 IH	712000	165510 JEFF	473016!
1634328	PACIF	415058	16433LUP JN-MN	110X130X12	16513 C-R	42X55X7	1655102C1 IH	370124A
1634331	PACIF	455290	16435 C-R	411978N=	16514 C-R	1953	16552 C-R	42X68X8
1634332	PACIF	417555!	16436 C-R	450540*	16515 C-R	1953	16553 C-R	710207
1634333	PACIF	415072	164368 ALLCH	327303!	16515 C-R	2025	16554 C-R	42X72X10V
1634334	PACIF	455480!	16438 C-R	450467	16515 C-R	42X60X7!	16554LUP JN-MN	455476*
1634335	PACIF	417601	1643G OSHKO	415991	16516 C-R	2642	16555 C-R	224270
1634336	PACIF	417605	1643G OSHKO	455146!	16517 C-R	2025	16555 C-R	42X72X10!
1634337	PACIF	416706!	16440 C-R	450467	16517 C-R	42X60X10V!	16556 C-R	450073*
1634339	PACIF	450621	16447LUP JN-MN	471270!	165175A OLIVE	471272=	16558 C-R	42X72X8
1634342	PACIF	470088	164513R1 NAVST	425RR	165175A WHITE	471272=	16559 C-R	452086
1634348	PACIF	416892!	16452LUP JN-MN	472016!	16518 C-R	224250	16561 C-R	42X72X10
1634349	PACIF	416239!	164544 JEFF	416332!	16519 C-R	224250	165618 HOUGH	471504
163435	PACIF	470596	164567A MINNM	330385	16519 C-R	42X62X8!	16562 C-R	450284=
1634351	PACIF	415294!	164639 HYST	JV1166	16520 SIDEW	473458!	16563 C-R	450284=
1634352	PACIF	417600	164648 JEFF	476838!	16522 C-R	224254	16564 C-R	710245
1634358	PACIF	471413!	16465LDS JN-MN	473205!	16523 C-R	224250	16564 YARD	471538!
163436	PACIF	471504!	164662A OLIVE	473459	16523 C-R	224252*	16565 C-R	4615V
1634362	PACIF	455596=	16467LDS JN-MN	473235!	16523 C-R	224253	16565 C-R	710286
163437	PACIF	472164!	16472LDS JN-MN	416294!	16523 C-R	42X62X8!	16567 C-R	7300S
163438	PACIF	473313	1647308 GMC	710262	16523 C-R	42X62X8V!	16568 YARD	340724!
163439	PACIF	412027	1647311 GMC	710263	16524 OLIVE	471224!	165756A OLIVE	JV980=
16344	C-R	5727	1647477 GMC	710261	16525 C-R	224255	165756A WHITE	JV980=
1634631	SPICE	470774!	1648 ALOY	4148	16525 C-R	42X65X10!	165757A WHITE	200870
1634632	SPICE	413246	1648 ALOY	471424!	16525LDS JN-MN	415052	16578 C-R	710502
16349	C-R	474274	164848 WAUKE	J1129	165263PTB TRSCM	7457N	16579 MYERS	473197
16350	C-R	474274	164849A WAUKE	455134!	16527 C-R	224255	16590 C-R	42X80X10
163507XX	TIMKE	16X35X7	164855 HOUGH	472016	16527 C-R	42X65X10V!	16594 C-R	710133
1635662	PACIF	455596=	164855H1 HOUGH	472016	16528 C-R	224266	165947R91 IH	471341!
16358	C-R	40286	1648957 AMC	411253!	16528 EATON	471424=	165949R91 IH	415483!
16359	SIDEW	473231!	164918 JEFF	473214	16529 C-R	224252	16597 TRMBL	370012A
16362	C-R	40286	164919 JEFF	471795	16529 C-R	224253	16598LUP JN-MN	416135!
163625A	WHITE	J1119	16492 C-R	42X56X7*	16529 EATON	J1107	16599 C-R	4099
16364	C-R	474274!	16493 C-R	42X56X7V!	16530 C-R	42X68X10	165P3 WHITE	7107A=
163654	CUMMI	425RR	16494 C-R	224220	16530LDS JN-MN	416383	165X190X13CS ISP	165X190X13
16365LUP	JN-MN	417020	16494 C-R	3774	16531 C-R	224200	166-101 PYUNG	223606
16367	C-R	474274	16494 C-R	710386	16531 SIDEW	473231	166-102 PYUNG	228008
16368	C-R	474274*	16495 C-R	42X55X8*	16532 C-R	450260	166-103 PYUNG	1108
16368	C-R	474274	1649628C1 IH	416158	16533 C-R	2025*	166021 SIMPL	471231!
16370	EATON	476424N	1649628C1 NAVST	386025A	16533LUP JN-MN	451948	16605LUP JN-MN	456641
16371LUP	JN-MN	471141!	165 C-R	BS5974	16534 C-R	224255*	16607 EATON	473473
16373	C-R	450275	1650 DURA	471224!	16534 C-R	42X65X10*	16610 C-R	473234!
16374	C-R	450275*	16500 C-R	8620N*	16535 C-R	42X70X10	1661230 CHRYS	5481\$
16374	TRMBL	HU013A	1650011 DURA	473446	16535LUP JN-MN	472150	166202 AMC	473435
1637536-24	SKF	370106A*	16502 C-R	224210	16536 C-R	710442	16623 NPG	472572
163785	CUMMI	471984=	16503 C-R	1214	16536LUP JN-MN	410825	16624 BU-SP	415991
163807XX	TIMKE	16X38X7	16503 C-R	1214N	16537 C-R	42X65X10	16624 BU-SP	415991!
16385	C-R	450819*	16503 C-R	42X55X8!	16539LUP JN-MN	455566	1663 ALOY	471271!
163871	HYST	417487!	165035 HYST	473229	16540 C-R	450260	166300 NEHO	291099
163871	HYST	417487	1650397 WGEAR	240462	16540LUP JN-MN	456305	16636LUP JN-MN	415483
163887	GMC	415035!	16504 C-R	3774	16541 C-R	450260	166437R91 IH	456618
163887	GMC	415035	16504 C-R	42X56X7!	16541LUP JN-MN	416294!	166488A WHITE	410496!
16389	C-R	473444	16504 C-R	710386	16542 C-R	710179	16650 C-R	353141!*
16390	C-R	473444	16505 C-R	224220	16542LUP JN-MN	417495	16650 C-R	6084
163912	HYST	473459	16505 C-R	42X56X7!	1654330C1 IH	370023A	166503 SPERY	471750!
16392	C-R	4674N	16506 C-R	494117	16543LUP JN-MN	415498	1665375C91 IH	4624V
163A11406.5	TROS	203025	16507 C-R	3051N	16544LUP JN-MN	455189	16655 C-R	205017
163A11606.5	TROS	203029	16508 C-R	710097	16545 C-R	7457N	1665544C1 IH	710211
163C13204	TROS	41257!	16509 C-R	224235	16545LUP JN-MN	415958	16656 C-R	473317

! Industrial Size/Type * Minor Width Difference \$F-M Number Is Part Of A Kit = Call 1-800-480-1212 for price and delivery.

Zero Duplication or Recommended		Zero Duplication or Recommended		Zero Duplication or Recommended		Zero Duplication or Recommended		
Mfr. No.	Name	Mfr. No.	Name	Mfr. No.	Name	Mfr. No.	Name	
16657	C-R	473317	167-081 PYUNG	1990	168-166 PYUNG	710404	16862 TRMBL	733067
16657F	DIA	415960	167-094 PYUNG	710316	168-171 PYUNG	712007	168629 WAUKE	J1109
16658SS	JN-MN	416664!*	167-096 PYUNG	1932	168-172 PYUNG	221710	168630 WAUKE	473204=
16659	C-R	473317	167-098 PYUNG	2007N	168-1722 PYUNG	221710	16865 C-R	473235!
16660	C-R	203008	167-124 PYUNG	2011	168-173 PYUNG	228005	16865LDS JN-MN	417600
166600A	WHITE	471272=	167-132 PYUNG	223801	168-175 PYUNG	223014	16866 C-R	473236!
16660M	CLARK	417548	16700 C-R	473445*	168-176 PYUNG	223608	16866 EATON	415995!
16662	C-R	204008	1671152C2 IH	415035	168-178 PYUNG	225010	16867 C-R	473236!
16665	C-R	203008	16713 C-R	473234!	168-181 PYUNG	225875	16868 C-R	473236!
16667	C-R	204008	167131H1 IH	476470	168-182 PYUNG	710401	168705 US-EL	455121
16668	C-R	473317	1671340 CHRYS	6960	168-183 PYUNG	710270	16871 C-R	473234
1666808	CHRYS	470898!	167141 BENDI	340210	168-211 PYUNG	224460	168720 WAUKE	472857H*=
16669	C-R	473233!	16715 C-R	473234	168-212 PYUNG	712007	16874G P-C	TCS45472
16675	C-R	473445	16716 C-R	473234	168-213 PYUNG	222025	1688203C1 IH	370001A
16675	MYERS	471271!	167176 HYST	417602!	168-214 PYUNG	228005	16884 DANMA	204002
1667583	CHRYS	417484!	1671763 CHRYS	471827	168-217 PYUNG	710417	16884G P-C	TCS45472
1667599	CHRYS	416500	16719 C-R	473234	168-225 PYUNG	224255	16889 C-R	2012V
16676	C-R	473445	16719LDS JN-MN	472144!	168-235 PYUNG	229005	16892 C-R	334111
1667620	CHRYS	415449!	16720 C-R	473234!	168-236 PYUNG	223010	16893 C-R	2012V*
1667652	CHRYS	471267!	16720LDS JN-MN	417555!*	168-242 PYUNG	223018	16893 C-R	710264
1667670	CHRYS	417484!	16725 C-R	2465	168-243 PYUNG	227235	16894 C-R	710291
1667704	CHRYS	471570!	16725 C-R	7300S	168-245 PYUNG	223750	16895 C-R	43X57X8
1667863	CHRYS	410308	167268H1 HOUGH	474276	168-249 PYUNG	228480	16897 C-R	320583
16679	C-R	473445	16727 C-R	7300S	168-252 PYUNG	224810	16897 C-R	43X60X8!
16680	C-R	473445	167302A WHITE	8126S	168-253 PYUNG	223543	16898 C-R	224320*
1668181	CHRYS	410737!	1673373 CHRYS	470487!	168-271 PYUNG	3771	16899 C-R	473236!
1668311	FOOTE	471570!	16734 C-R	473234!	16800 C-R	473235!	16899F DIA	456618
16683131	FOOTE	472572!	16735 C-R	712146	16801 C-R	473235!	16900 C-R	473236!
16683141	FOOTE	472144!	16738 C-R	473234	16805 C-R	473235	1690006 CHALL	355732
16683181	FOOTE	450313	1673838 CHRYS	7886S	16806 C-R	473235!	1690006AM CHALL	355732
16683201	FOOTE	471271!	16739 C-R	473234	1680802C1 IH	380003A	1690007 CHALL	415082
1668321	FOOTE	455079!	16740LDS JN-MN	415725!	1680802C1 NAVST	3700003A	1690016 CHALL	415995!
16683231	FOOTE	416921!	16743 C-R	40154S	16811 C-R	473235	1690016AM CHALL	415995!
16683241	FOOTE	416956	167432 US-EL	415449!	16816 C-R	473235!	1690016BM CHALL	415995!
16683251	FOOTE	417349	16743LPD JN-MN	453182	16816LUP JN-MN	417533	1690021 CHALL	472394
16683261	FOOTE	415995!	16744 C-R	473234!*	168175 JEFF	415449!	1690021AM CHALL	472394
16683301	FOOTE	415027!	16747 BU-SP	471472!	16818 C-R	200886	1690073 CHALL	473232
16683301	FOOTE	415027!	16747 C-R	2146	16820 C-R	7381S	1690074AM CHALL	455005
16683301	FOOTE	415027!	16751LUP JN-MN	416130!	16821 C-R	474265	1690096 CHALL	471341!
1668331	FOOTE	471764!	16754 C-R	470460*=	168213KC TRSCM	1183	1690096CM CHALL	471341!
16683321	FOOTE	455134!	16757 C-R	9178S	168216 WHITE	473459	1690099 CHALL	417513
16683331	FOOTE	416888!	16759 C-R	473235!	16822 C-R	474265	16901 C-R	3622
16683341	FOOTE	415351!	167591A WHITE	455472=	168224 ALLCH	474276!	1690114 CHALL	473231!
1668341	FOOTE	471795	16762LDS JN-MN	416229	168233TB TRSCM	473317	1690114AM CHALL	473231!
1668351	FOOTE	473211!	16763LDS JN-MN	417596	168235VHY TRSCM	203008	1690143 CHALL	473229
1668361	FOOTE	471192	16764 C-R	473235!	168235VHY TRSCM	204008	1690143AM CHALL	473229
1668371	FOOTE	473215!	16765 C-R	473235!	168244SSB TRSCM	473445	1690145 CHALL	471341!
1668391	FOOTE	473225!	16769C DIA	417238	168255TB TRSCM	2146	1690172AM CHALL	415027
1668489	CHRYS	471267!	16769SS JN-MN	50199S!	168255TB TRSCM	470460	1690172AM CHALL	415027!
16684C	DIA	415458!	16769SS JN-MN	6863S!	168258TBJ TRSCM	7300S	1690190AM CHALL	415027
16684W	DIA	473464!	16780 CHRYS	714655	168263VHY TRSCM	473235	1690190BM CHALL	415027
16684W	DIA	473464	16780 NPG	714655	168265TB TRSCM	473235!	16902 C-R	3622
166850	DIA	5M867	16781 CHRYS	470530	1682683TL TRSCM	474265	16902 CHAMP	9674
16685C	DIA	5M867	16781 NPG	470530	1682713SL TRSCM	450765!	1690204 CHALL	350909
16689	C-R	473445	16785 C-R	473235!*	16834G P-C	TCS45472	1690204 CHALL	471224!
16692	C-R	473445*	167980 ALLCH	50501	168354 HYST	476098N=	1690204AM CHALL	350909
16693	TRMBL	AR10+370020A	168-054 PYUNG	2146	16841 C-R	474265	1690204AM CHALL	471224!
16696	BU-SP	471224!	168-055 PYUNG	710335	16842 C-R	474265!	1690205 CHALL	417350!
16696	C-R	473445	168-056 PYUNG	710222	16842 C-R	474265*	1690205AM CHALL	417350!
1669724	CHRYS	470898!	168-057 PYUNG	712007	16847 C-R	450765!	1690213AM CHALL	416339
1669851	CHRYS	410308!	168-058 PYUNG	223240	16848 C-R	450765!	1690213AM CHALL	455031!
16699	C-R	473445*	168-060 PYUNG	4244	16848 SIDEW	204013	1690214AM CHALL	473010
167	C-R	BS5974	168-100 PYUNG	224020	1684LPD JN-MN	416107!	1690215 CHALL	417487
167-033	PYUNG	228030	168-111 PYUNG	227235	1684LPD JN-MN	455073	1690222AM CHALL	410308!
167-037	PYUNG	1216N	168-112 PYUNG	3771	1684OS JN-MN	416107!	1690223 CHALL	355737=
167-038	PYUNG	55X78X10	168-118 PYUNG	223543	1684OS JN-MN	455073	1690224 CHALL	472409!
167-039	PYUNG	1973	168-120 PYUNG	474134	16853 C-R	450765!*	1690224AM CHALL	410308!
167-071	PYUNG	1126	168-126 PYUNG	712007	16854 C-R	450765!*	1690293AM CHALL	40169S
167-072	PYUNG	4990	168-127 PYUNG	222025	16855W DIA	416271!	16903 C-R	473236!
167-073	PYUNG	710323	168-128 PYUNG	223014	168572 JEFF	473236!	1690305AP CHALL	472492!
167-076	PYUNG	221620	168-156 PYUNG	320583	168574 JEFF	412943	1690465 CHALL	471341!
167-078	PYUNG	2007N	168-158 PYUNG	710361	168575 JEFF	415449!	1690467 CHALL	200122

! Industrial Size/Type * Minor Width Difference = Call 1-800-480-1212 for price and delivery.

Zero Duplication or Recommended		Zero Duplication or Recommended		Zero Duplication or Recommended		Zero Duplication or Recommended					
Mfr. No.	Name Industrial	Mfr. No.	Name Industrial	Mfr. No.	Name Industrial	Mfr. No.	Name Industrial				
1690467AP	CHALL	200122	169W11 C-R	470606!	1702+320-2702	STEM	380001A	1706014 HEIL	473426		
1690468AP	CHALL	412040	169W12 C-R	470606!	17020LDS	JN-MN	415219	17062 NPG	224850		
1690492	CHALL	327303!	16A3116	MTR-C	473454	17021	DGASK	5112	17062LUP	JN-MN	417597
1690492AM	CHALL	327303!	16A3373	FED	471231!	17021	DGASK	5112S	17064	DGASK	5390
1690493	CHALL	345035	16A3810	FED	450593!	170223PTBP	TRSCM	2955	17068	DGASK	5390
16905	C-R	43X69X8	16A7342	FED	470059	1702251	WHITE	470625!	1706933	HEIL	473228
1690531AM	CHALL	416154!	16A7342	FED	470380!	1702340	WHITE	415983N!	1707+2707	STEM	370023A
1690534AM	CHALL	473215!	16A7415	FED	471141!	1702530	WHITE	415995!	1707+320-2707	STEM	370023A
1690569	CHALL	415995!	16A7628	FED	471554!	1702740	OSHKO	415023	1707+320-2707	STEM	380023A
1690598AM	CHALL	416154!	16A7639	FED	473215!	1703	C-R	HU149A	170703	ALLCH	240319
1690659AM	CHALL	370020A	16B7400	FED	473462	1703+2703	STEM	370003A	17076	DGASK	473573
1690701AM	CHALL	370006A	16D19	FMC	416556!	1703+320-2703	STEM	370003A	1708	C-R	HU065A
1690752AM	CHALL	473227!	16D19	FMC	472157	1703+320-2703	STEM	380003A	1708+2708	STEM	370124A
169084	ALLCH	450104	16D20	FMC	471192	17030	DGASK	5111	17080	DGASK	716102
1691141C2	IH	415088	16M943	UNIVE	450593!	17030	DGASK	5111S	1708443	WHITE	412119!
1691143C1	IH	710008	16T12	ATHEY	412119!	1703035	HEIL	415449!	1708548	WHITE	470530!
1691144C2	IH	4624V	16X22X4SC	TRSCM	16X22X4	170304A	SELAS	710067	1709	C-R	HU003A
1691145C2	IH	415995	16X22X4TC	TRSCM	16X22X4	1703125	HEIL	415449!	1709	NATL	2064
169114C1	IH	710006	16X24X5AN(35)	ISP	16X24X5	17032	DGASK	5414	1709+2709	STEM	370037A
16912	C-R	470606!	16X24X6SC	TRSCM	16X24X6	1703213	HEIL	470954	1709+2709	STEM	370338A
16912M1	C-R	470606!	16X24X6TC	TRSCM	16X24X6	1703292	HEIL	470954	17090	C-R	9911S
16914	C-R	43X73X8	16X24X7	FORSH	16X24X7	17033	DICO	472193!	170910	ALLCH	471689!
16914G	P-C	TCS45472	16X24X7	SIMRT	16X24X7	170330	JEFF	471271!	17095	C-R	1198
16915	C-R	474260	16X24X7SC	TRSCM	16X24X7	1703339	WHITE	417171!	1709814	FMC	471643!
16916	C-R	470328	16X24X7TC	TRSCM	16X24X7	170337	ALLCH	481163!	170X200X15SC	TRSCM	170X200X15
16916	C-R	481213!	16X26X7SC	TRSCM	16X26X7	17034	C-R	470086*	170X200X15TC	TRSCM	170X200X15
16916M1	C-R	470328	16X26X7TC	TRSCM	16X26X7	17034	DGASK	5117	170X210X15SC	TRSCM	170X210X15
16916M1	C-R	481213!	16X28X7SC	TRSCM	16X28X7	1703454	WHITE	473179	170X210X15TC	TRSCM	170X210X15
16917	C-R	710142	16X28X7TC	TRSCM	16X28X7	17035	C-R	470086	1710+2710	STEM	370131A
16918	C-R	474278!	16X30X7SC	TRSCM	16X30X7	17035	DGASK	5127	17100	C-R	710067
16918M1	C-R	474278!	16X30X7TC	TRSCM	16X30X7	17037	C-R	710105	1710450	WHITE	6603*=
16918T5	C-R	474278!	16X32X7	SIMRT	16X32X7	17038	C-R	470687*	17106	C-R	2955
1691RC	SUL	417546!	16X32X7SC	TRSCM	16X32X7	1704	C-R	HU149A	17107	C-R	2955
169237	AU-WS	410059	16X32X7TC	TRSCM	16X32X7	1704+2704	STEM	370036A	17107	CATER	471689!
169237	AU-WS	470380!	16X35X7SC	TRSCM	16X35X7	1704+2704	STEM	370349A	17107	TMTR	471689!
169237	B-L-H	410059	16X35X7TC	TRSCM	16X35X7	1704+2704	STEM	380036A	171075R91	IH	471271!
169237	B-L-H	470380!	16X38X7SC	TRSCM	16X38X7	17040	C-R	450533*	171076R91	IH	471272!
16924	C-R	710159	16X38X7TC	TRSCM	16X38X7	17040	DGASK	473573	1711	C-R	HU024A
169240R1	NAVST	411	16X40X7SC	TRSCM	16X40X7	17041	C-R	450533	1711+2711	STEM	370048A
169256R1	SELAS	2146	16X40X7TC	TRSCM	16X40X7	17041	DGASK	710056	1711+320-2711	STEM	370048A
16926LPD	JN-MN	115X140X12	170000	SPG	712107	17042	DGASK	5116	1711+320-2711	STEM	380048A
1692G	OSHKO	471785!	17002	DGASK	5092	17043	DGASK	5118	17110	C-R	8121S
16930	C-R	50419	17004	SPICE	40566S	17046	DGASK	228005	1711035	WOOL	471349
169328	IH	JV1166	170041	SPICE	40566S	17048	DGASK	3772	1712	MICH	471530
169328C1	IH	JV1166	170046	JEFF	415138!	17040S	JN-MN	327303!	1712	UNIVE	471530
169329C91	CASE	200851	17006	DGASK	5132	1705	C-R	HU058A	17113	C-R	710193
169329C91	IH	200851	17007	C-R	471981	1705+2705	STEM	370065A	17113LUP	JN-MN	472636!
16933LUP	JN-MN	415449!	1700742	AVANT	5778	1705+2705	STEM	380065A	17115	C-R	6840S
169437	ALLCH	471795	17008	DGASK	5068	1705+2718	STEM	415058	17119	C-R	471744!
16945	C-R	473235	1700846	AVANT	473228	1705+327-2718	STEM	415058	1712+2711	STEM	370021A
16947A	C-R	470898	1700847	AVANT	9912	17050	C-R	450533*	1712+320-2712	STEM	370021A
16960	C-R	470596*	17009	C-R	470086	17050	DGASK	5108	1712+3712	STEM	370021A
169634	US-EL	412943	1700923	FMC	240470	17051	DGASK	5072	17122	C-R	224660
16976	EATON	473462	1701+2701	STEM	386025A	17053	C-R	3747	1712271	CHRY	470354
16976	FULLE	473462	1701+2701	STEM	416158	17053	DGASK	5337	17123	C-R	50327
16977	EATON	410737!	170117	JEFF	415937!	17053D	IH	471570!	17124	C-R	50327
16978	EATON	J1111	170122	JEFF	471766!	17054	DGASK	3909	171255TB	TRSCM	473336
16979	EATON	J1106	170123	JEFF	471689!	17054	DGASK	BS40380	171255VB	TRSCM	442251
16981	C-R	473446*	170129	ALLCH	450269	17054	DGASK	BS40620	1713	C-R	HU044A
16982	C-R	473446*	17013	DGASK	5591	17054LUP	JN-MN	450307	1713+2713	STEM	370019A
169847	JEFF	471538!	17014	DGASK	228020	1705540	WHITE	473464!	17130	C-R	44X58X8
16984LUP	JN-MN	473459	17015	DGASK	713750	1705540	WHITE	473464	17134M	DIA	415449!
16986LDS	JN-MN	417606	17015	DGASK	BS15868	1705548	WHITE	416271!	17135	C-R	450068
169948C91	IH	472636!	17016	DGASK	3698	170560	US-EL	473237!	17136	C-R	450068
16998	C-R	473446*	17018	DGASK	5092	1705821	HEIL	240119	17137	CHRY	415449
16999	C-R	473446*	17018	SPICE	471413	17059	DGASK	5419	17137	NPG	415449
169FF18	C-R	474278!	170180	JEFF	417316!	17059	DGASK	BS5048	17139	C-R	224461
169HA15-L	C-R	474260	170182	JEFF	471567!	1706	CHEL	470530!	17139	C-R	44X60X10!
169HA18	C-R	474278!	17019	SPICE	473444	1706+2706	STEM	416892	17139	C-R	44X60X7*
169HA18	C-R	6859S	1702	C-R	HU036A	1706+2710	STEM	370131A	17140	C-R	50075=
169HMS18	C-R	474278!	1702+2702	STEM	370001A	1706+320-2706	STEM	416892	17141	C-R	50075=
169HMS18	C-R	6859S	1702+320-2702	STEM	370001A	1706013	HEIL	471554!	17142	C-R	224460

! Industrial Size/Type * Minor Width Difference = Call 1-800-480-1212 for price and delivery.

Zero Duplication or Recommended		Zero Duplication or Recommended		Zero Duplication or Recommended		Zero Duplication or Recommended	
Mfr. No.	Name	Mfr. No.	Name	Mfr. No.	Name	Mfr. No.	Name
17144	C-R	442251	17191	C-R	710115	17232	DGASK
17145	C-R	5836	17191	DGASK	228008	17233	DGASK
17146	C-R	442251	17191	DGASK	BS40535	17234	C-R
17147	C-R	224462	1719115	WHITE	450400	17234SB	TRSCM
17148	C-R	224460	1719137	WHITE	6597S	17234SP	TRSCM
17148	C-R	224461	17192	DGASK	228480	17235	C-R
17149	C-R	224462	17193	C-R	710208	17235	DGASK
17149	C-R	44X62X8!	17193	DGASK	4307V!	17236	DGASK
1715	C-R	HU028A	17194	C-R	710283	172361	CLIMX
17150	C-R	50191	17194	DGASK	4307V!	17236LUP	JN-MN
17151	C-R	50191	17195	C-R	8705S	172373TB	TRSCM
1715482	WHITE	6644	17195	DGASK	4359V	1723758	FMC
17155	DICO	412920!	17196	DGASK	710075	17238	DGASK
1715514	WHITE	412027	17196	DGASK	BS40396	17239	DGASK
1715672	WHITE	473203	17197	DGASK	226820	17239	DGASK
17158M	DIA	472636!	17198	DGASK	228700	1723903	WHITE
17159	C-R	470334!	17199	DGASK	3698	1724	C-R
17159	C-R	50289	17199LDS	JN-MN	415379!	1724+2724	STEM
1715N2	WHITE	471270!	17199LDS	JN-MN	415379	17240	C-R
1716	ALLOY	3214	17200	DGASK	5591	17240	DGASK
17160	C-R	224465	17201	DGASK	227410	17241	DGASK
17160	C-R	44X65X10!	17201	DGASK	BS40381	17241	DGASK
171609	EL-MO	415379!	17202	DGASK	228009	17242	DGASK
171609	EL-MO	415379	17204	DGASK	BS40268	17242	DGASK
171609	JEFF	415379	17205	DGASK	710060	17242VHY	TRSCM
171609	JEFF	415379!	17206	DGASK	227020	17243TB	TRSCM
1716100	WHITE	5401	17207	DGASK	228250	17244	C-R
1716130	WHITE	416130!	17208	DGASK	229005	172443TB	TRSCM
17162	C-R	50081	17209	DGASK	228009	172463	JEFF
171628	HEIL	476838!	17209	DGASK	BS27493	17248	C-R
17163	C-R	50081	1721	ALLOY	4148	17248	DGASK
17164	C-R	50081	1721+2721	STEM	370132A	1724D	GOODM
17165	C-R	350609	17210	ALLCH	204002	17250	DGASK
17166	C-R	350609	17210	DGASK	228410	17250	DGASK
17167D	IH	471255!	17211	DGASK	228010	17251	DGASK
17168	C-R	224465	17213	DGASK	228009	17252	C-R
17168	C-R	44X65X10!	1721396	WHITE	45653S	17252VH	TRSCM
171683	JEFF	471649!	17215	DGASK	228410	17253	DGASK
171690	ALLCH	40360S!	17216	DGASK	3772	17253SSB	TRSCM
17170	C-R	6098=	17217	DGASK	3772	17253TB	TRSCM
17170	DGASK	3698	17218	DGASK	1021V	17253VTB	TRSCM
17170	DGASK	BS40110	17218	DGASK	BS40265	17255	DGASK
171700	ALLCH	45013S	17219	DGASK	1019	17256	C-R
17174	C-R	6101	17219	DGASK	BS40387	17256	DGASK
17174	DGASK	227235	17220	DGASK	227045	172563VHY	TRSCM
17175	DGASK	5390	17221	DGASK	716102	172563VHY	TRSCM
17176	DGASK	5419	172210	JEFF	417205!	17257	C-R
17177	DGASK	415379!	17221VB	TRSCM	340400	17257	DGASK
17178	DGASK	5065	17222	DGASK	227550	1725831	WHITE
17178LDS	JN-MN	472409!	17222A	MASSE	473245!	17259A	MASSE
17179	C-R	44X70X8	17223	DGASK	228009	1726+2727	STEM
17179	DGASK	228010	1722380	WHITE	415449!	17260A	MASSE
17179	DGASK	BS40252	17224	DGASK	227045	17261	C-R
1717N2	WHITE	417538	17225	DGASK	228010	17262	C-R
17180	DGASK	4307V!	1722546	WHITE	471224!	17263	C-R
17181	DGASK	4307V!	17226	DGASK	231004	17263	DGASK
17183	DGASK	5591	17226	DGASK	BS16192-1	17263TB	TRSCM
17184	C-R	224470	1722607	WHITE	471466!	17265	C-R
17184	C-R	44X72X10!	1722652	WHITE	413246	17265	DGASK
17185	DGASK	3772	17227	DGASK	228010	17267	C-R
17186	C-R	224470	17227	EATON	411394=	17268	C-R
17186	C-R	44X72X10!	17228	DGASK	228008	172683SB	TRSCM
17186	DGASK	710060	17228	DGASK	BS40583	1726DA	MASSE
17187	C-R	8705S*	17228LUP	JN-MN	455134!	1727	C-R
17187	DGASK	473573	17229	DGASK	227040	17270	C-R
17188	C-R	8705S	17229	DGASK	BS25035	172707XX	TIMKE
17188	DGASK	39608	17229	EATON	J1112	17271	C-R
17189	C-R	8705S	1723	C-R	HU066A	172714TC	TRSCM
1718N2	WHITE	415449!	17230	C-R	450400*	17272	C-R
1719	ALLCH	471192	17230	DGASK	716102	172737	ALLCH
1719	TRAC	471192	17231	C-R	450400*	17273TB	TRSCM
17190	C-R	8460N	17231	DGASK	227530	17273UA	TRSCM
17273VHY	TRSCM	204002	17274	C-R	473237!	17275	DGASK
17274	C-R	473237!	17275	DGASK	BS40626	17276	SPICE
17275	DGASK	BS40626	1727592	FMC	473234!	1727607	WHITE
1727592	FMC	473234!	1727593	FMC	473214!	17277	C-R
17276	SPICE	40769S	17276	SPICE	40769S	17278LUP	JN-MN
1727607	WHITE	471538!	17277	C-R	41206S=	17278LUP	JN-MN
17277	C-R	41206S=	17278	C-R	204503	1728+2728	STEM
17278LUP	JN-MN	223275	17280	C-R	472636!	17280	C-R
17278LUP	JN-MN	32X56X10!	17280	C-R	471504	17281	C-R
17280	C-R	9845	17281	C-R	5778	17283	C-R
172807XX	TIMKE	17X28X7	17283	C-R	471504	17284	C-R
17280A	C-R	472636!	17284	C-R	471504	17285	C-R
1728192	WHITE	471504	17285	C-R	471504	17285	SIDEW
17283	C-R	471504	17285	SIDEW	470625!	17286	C-R
17284	C-R	471504	17286	C-R	6936S	17286	C-R
17285	C-R	471504	17286	C-R	9845	17286	DGASK
17285	SIDEW	470625!	17286	DGASK	BS40625	17287	C-R
17286	C-R	6936S	17287	C-R	471504	17287	DGASK
17286	C-R	9845	17287	DGASK	BS40619	17287	SIDEW
17286	DGASK	BS40625	17287	SIDEW	472299	172875SA	TRSCM
17287	C-R	471504	172875SA	TRSCM	471141	172875TA	TRSCM
17287	DGASK	BS40619	172875TA	TRSCM	471141!	17288	DGASK
17287	SIDEW	472299	17288	DGASK	BS40182	17288	DGASK
172875SA	TRSCM	471141	17289	C-R	471504	17289	C-R
172875TA	TRSCM	471141!	1728M5	WHITE	471689!	1729	C-R
17288	DGASK	BS40182	1729	C-R	HU014A	17290	C-R
17289	C-R	471504	17290	C-R	471504	17293	C-R
1728M5	WHITE	471689!	17293	C-R	471504=	17294	C-R
1729	C-R	HU014A	17294	C-R	471504!	17294	CLIMX
17290	C-R	471504	17294	CLIMX	417487	172942	CLIMX
17293	C-R	471504=	172942	CLIMX	417487!	172942	CLIMX
17294	C-R	471504!	1730	C-R	HU014A	173007XX	TIMKE
17294	CLIMX	417487	173007XX	TIMKE	17X30X7	17302	C-R
172942	CLIMX	417487!	17302	C-R	471504!	17303	C-R
1730	C-R	HU014A	17303	C-R	471504	173037TB	TRSCM
173007XX	TIMKE	17X30X7	173037TB	TRSCM	471984	173063TB	TRSCM
17302	C-R	471504!	173063TB	TRSCM	473313!	173063TB	TRSCM
17303	C-R	471504	173063TB	TRSCM	710005	17308A	MASSE
173037TB	TRSCM	471984	17308A	MASSE	470530!	1730985	CHRYSS
173063TB	TRSCM	473313!	1730985	CHRYSS	474278!	1731	C-R
173063TB	TRSCM	710005	1730985	CHRYSS	6859S	17310	C-R
17308A	MASSE	470530!	1731	C-R	471689	17310	C-R
1730985	CHRYSS	474278!	17310	C-R	43071S	17312	C-R
1731	C-R	471689	17312	C-R	471705!*	17314	C-R
17310	C-R	43071S	17314	C-R	471692!	17314M1	C-R
17312	C-R	471705!*	17314M1	C-R	471692!	17315	C-R
17314	C-R	471692!	17315	C-R	471831!*	173153SM	TRSCM
17314M1	C-R	471692!	173153SM	TRSCM	482267	17316A	MASSE
17315	C-R	471831!*	17316A	MASSE	417344!	17317	C-R
173153SM	TRSCM	482267	17317	C-R	471831!	17318	C-R
17316A	MASSE	417344!	17318	C-R	471831!	173193	ALLCH
17317	C-R	471831!	173193	ALLCH	412473!	173194	ALLCH
17318	C-R	471831!	173194	ALLCH	55301S	173197	ALLCH
17318	C-R	471831!	173197	ALLCH	471887	1731M1	C-R
173193	ALLCH	412473!	1731M1	C-R	471689!	1732	C-R
173194	ALLCH	55301S	1732	C-R	HU007A	17320	C-R
173197	ALLCH	471887	17320	C-R	471831=	173207XX	TIMKE
1731M1	C-R	471689!	173207XX	TIMKE	17X32X7	173232KM	TRSCM
1732	C-R	HU007A	173232KM	TRSCM	6840S	173234KBY	TRSCM
17320	C-R	471831=	173234KBY	TRSCM	8121S	17324	C-R
173207XX	TIMKE	17X32X7	17324	C-R	471684!	173242VB	TRSCM
173232KM	TRSCM	6840S	173242VB	TRSCM	8705S	17324A	MASSE
173234KBY	TRSCM	8121S	17324A	MASSE	470409!	17324A	MASSE
17324	C-R	471684!	17324A	MASSE	470409!	17324A	MASSE
173242VB	TRSCM	8705S	17324A	MASSE	50409		

Zero Duplication or Recommended Industrial		Zero Duplication or Recommended Industrial		Zero Duplication or Recommended Industrial		Zero Duplication or Recommended Industrial	
Mfr. No.	Name	Mfr. No.	Name	Mfr. No.	Name	Mfr. No.	Name
17324M1 C-R		17392LUP JN-MN	45X62X8!*	17443 C-R		17523 C-R	
17326 C-R	471686*	17393 C-R	7300S	17444 C-R	3227	17524 C-R	471684!
173275VHY TRSCM	5836	17393TB TRSCM	476820	17446 C-R	472185!	17524M1 C-R	471684!
17328 C-R	470590*	17395 C-R	472164!	17447 C-R	472185!	17525 C-R	471337
173285PTBJ TRSCM	8460N	17395601 JOHND	416327	17450 C-R	472185!	17526 C-R	471686
1733 C-R	HU009A	17396 C-R	472164!*	17451 C-R	472185!	17528 C-R	470590
17330 C-R	472951	173968 JEFF	450400	17455557 AUTSP	472826!	1752N2 WHITE	417538
17330 C-R	474252	173970 JEFF	472179	17456 C-R	472185!	17530 C-R	472951
173305PTBP TRSCM	6818	17399 C-R	472164*	17456 C-R	472185*	17530 C-R	474252
17330M1 C-R	472951	1740 C-R	417604	17457 C-R	472185!	17530M1 C-R	472951
17330M1 C-R	474252	17400 C-R	472164!	174573 ALLCH	472029	17530M1 C-R	474252
17331 C-R	471688	174007XX TIMKE	17X40X7	174574 ALLCH	415995!	17531 C-R	471688
17332 C-R	6489*	17401 C-R	472164*	17458 C-R	3227	17533 C-R	472179
1733603 CHRYS	7188S	17402 C-R	472164!	17459 C-R	3227	17535 C-R	472179
1734 C-R	HU008A	1740270 WHITE	HU110A	17459 MALL	471571	1753532M1 MASSE	471554!
17340 C-R	494122	1740273 WHITE	370007A	17460 C-R	472185!	17537 C-R	472179
17340 C-R	6489*	1740274 WHITE	HU036A	17460 SPICE	472354!	17538 C-R	472179
17341 C-R	6489	174029 CLIMX	417487	1746312 SPICE	415027	1754 C-R	HU057A
1734152 BENDI	417343!	17403 C-R	472193!	17465 C-R	472185!	17542 SPICE	40286
173422SP TRSCM	7607	17403 C-R	473234	17466 C-R	472185!	1754299M1 MASSE	421
17344 C-R	6489*	17403 NEWPR	4813V	17468 BU-SP	415072	17544 C-R	40183S
173463 JEFF	470712!	17404 C-R	472193*	17468 C-R	1177	17544 C-R	472179
17348 C-R	203007=	17404 C-R	472193!	174707XX TIMKE	17X47X7	1754411M1 MASSE	414
1734913 CHRYS	471538	17405 C-R	472164!	174708XX TIMKE	17X47X8	1754835M1 MASSE	340724!
1734RC SUL	471648	17405LUP JN-MN	224025	17472 C-R	470334!	17552 C-R	472179
173507XX TIMKE	17X35X7	17406 C-R	203015	17472X MASSE	472439	175559 JEFF	417511
173508XX TIMKE	17X35X8	174069H1 HOUGH	472018	17473 C-R	470334!*	17556 C-R	472179
17353 C-R	710389	174069H1 IH	472018	17474 C-R	470334!	17557 C-R	472179
17354 C-R	204007=	17409 C-R	472193!	17475 C-R	470334!	17558 C-R	472179
17357 C-R	6489	174099H1 HOUGH	416229	17475LDS JN-MN	415027	1756904 ROCKW	415991
17358 C-R	473157	174099H1 IH	416229	17476LDS JN-MN	415227!	1756904 ROCKW	455146!
17359 C-R	6489	174099H2 IH	416229	17478 SPICE	40769S	1756OS JN-MN	416339
1736 C-R	HU012A	17410 C-R	472193!	174783 SPICE	40769S	1756OS JN-MN	455031!
17360 C-R	472164!	17410D IH	417247!	174826 JEFF	470625!	175732H1 HOUGH	471424!
17362 C-R	472164!	17412 C-R	471705!*	17483 C-R	470334!	175732H1 IH	471424!
17363 C-R	472164!	17413 C-R	473796	17484 C-R	470334!*	17581 C-R	473447
17364 C-R	472164!	174136 CLIMX	415937!	17485 C-R	200854	17582 C-R	473447
17365 C-R	472164!*	174137 CLIMX	416865!	17485A ALLCH	415027!	17583 CASE	40067S=
17365A C-R	472924!	17414 C-R	471692!	17485A ALLCH	415027	175938 JEFF	416888!
17366 C-R	472164!	17414M1 C-R	471692!	17486LUP JN-MN	472299	17593LDS JN-MN	415027
1737 C-R	50631	17415 C-R	204502	17488 C-R	204038	17599 C-R	472179
173707XX TIMKE	17X37X7	17416 C-R	473203	174938 JEFF	320457	175991 JEFF	473405
17371 C-R	472164!*	17418 C-R	471413	17494 C-R	472179	175A4 WHITE	472636!
173713 AU-LI	471765!	17418M1 FREIG	471413!	17497 SPICE	471689!	175F-1 KEN	471689!
17372 C-R	472164!	1741M1 C-R	471689	17497 VIC	471689!	175G OSHKO	417344
173735 ALLCH	415991	1742 C-R	HU013A	1749OS JN-MN	472397!	175K1 WHITE	240151
173735 ALLCH	415991!	17420 C-R	472185!	174Z1 C-R	471689	175ML1M1 C-R	471689
17375 C-R	472164!	17420SS JN-MN	22X32X7	174ZM1 C-R	471689	175W1 C-R	471689
17376 C-R	472164!	1742252 WHITE	413469!	17502 C-R	473237	175W1M1 C-R	471689
1737771 CHRYS	3103!	174227JX MICH	200600	175038 FORD	472185!	175W30 C-R	472951
17379 C-R	472164!	17423 C-R	472185!	17508 C-R	472179	175W30 C-R	474252
1738 C-R	HU011A	17424 C-R	471684!	175088 ALLCH	415138!	175X200X15 SIMRT	175X200X15
173807XX TIMKE	17X38X7	17424M1 C-R	471684!	17509 C-R	472179	175X200X15SC TRSCM	175X200X15
17381 C-R	472164!	17425 EATON	415027	1751 C-R	471689	175X200X15TC TRSCM	175X200X15
1738263 CHRYS	470898!	17426 C-R	471686*	1751 CABOT	471689!	17600 CASE	472924!
17382A MASSE	473010	174277 HYST	412473!	17511 C-R	471705!	17605 C-R	473447*
17383A MASSE	473214	17428 C-R	470590*	17512 C-R	471705!	17607 C-R	323119
17384 C-R	472164!	1743 C-R	HU009A	17514 C-R	471692!	17608 C-R	200354*
173849 JEFF	472636!	1743 C-R	HU159A	17514M1 C-R	471692!	17609 C-R	204002*
173857 ALLCH	471984	1743 C-R	HW009A	17515 C-R	472179	17611 C-R	204002*
17386 C-R	472164*	17430 C-R	472951	175155 JEFF	415483!	17614 C-R	203002
17386 C-R	472164!	17430 C-R	474252	17516 C-R	472179	17617 C-R	204038
17387 C-R	472164!	17430M1 C-R	472951	1751702M1 MASSE	471267!	17618 C-R	200354
17388 C-R	40494S	17430M1 C-R	474252	1751M1 C-R	471689	176199R91 IH	471413
173883 JEFF	472164!	17431 C-R	471688*	17520 C-R	710248	17620 C-R	200600
1738831 CHRYS	5126	17431 CASE	472015=	17520015A HARWA	175X200X15	17623 C-R	470334!
17389 C-R	472164!	17431 WHITE	415001!	17521 TRMBL	370023A	17623 C-R	50289
17390 C-R	472164	17432 C-R	472185!	17521 WHITE	370023A	176234 US-EL	473239!
17391 C-R	472164!	17433 C-R	472185!	17522 C-R	472179	17624 C-R	712260
17392 C-R	472164	17436 SCHWI	473225!	17522 C-R	472179=	176256 US-EL	455480!
17392LUP JN-MN	1012*	17441 C-R	472185!*	17522 TRMBL	370007A	17627A MASSE	412119!
17392LUP JN-MN	1012N*	17442 C-R	472185!	1752233A TRSCM	450400	176364 HYST	471138!

! Industrial Size/Type * Minor Width Difference = Call 1-800-480-1212 for price and delivery.

Zero Duplication or Recommended		Zero Duplication or Recommended		Zero Duplication or Recommended		Zero Duplication or Recommended		
Mfr. No.	Name	Mfr. No.	Name	Mfr. No.	Name	Mfr. No.	Name	
17638	C-R	471141!	17726	C-R	482267	17778	C-R	1943
17639	C-R	471141!	17727	C-R	6818	17778	C-R	224570*
1764	C-R	HU037A	17728	C-R	224510	17778	C-R	45X72X7!
1764292	GMC	473471	17729	C-R	224460	17779LDS	JN-MN	415027
17643A	C-R	415449!	1772RC	SUL	416288!	17780LDS	JN-MN	417598
17644	C-R	471141!*	17730	C-R	224520	17781	C-R	2440
17645	C-R	471141!*	17730	C-R	45X60X8!	17782	C-R	1979*
1765	C-R	HU042A	17731LDS	JN-MN	415303!	17782	C-R	45X75X7!
17650	C-R	471141!	17732	C-R	224520	17783	C-R	1979
17651	C-R	471141!	17732	C-R	45X60X10!	17783	C-R	45X75X10V!
17653	C-R	471141!*	17734	C-R	1992*	17784	C-R	224510
17655	C-R	471141!	17734	C-R	224550	17784	C-R	45X58X7!
17656	C-R	471141!	17734	C-R	45X65X8!	17785	C-R	45X70X10!
17657	C-R	471141	17736	C-R	1012	17785	C-R	710238
1765RC	SUL	412119!	17736	C-R	1012N	17787	C-R	714075
176681R91	IH	450593!	17737	SUPER	415254	17788LDS	JN-MN	417602!
17670LDS	JN-MN	473238!	17739	C-R	470088*	17789	C-R	1939
17671	C-R	471141!*	17739	SUPER	455019!	177896	ALLCH	340787
17674	C-R	471141	17741	C-R	45X60X7	17790	C-R	1012
17675	C-R	5711	17742	C-R	1012*	17790	C-R	1012N
17678	C-R	473448	17742	C-R	1012N*	17790	C-R	45X62X8!
1768	C-R	HU031A	177431H1	IH	470954!	17791	C-R	45X80X10
17680	C-R	5711	177433	ALLCH	415025	17792	C-R	1952
17681	C-R	473448	17744	C-R	45X72X12	17793	C-R	45X82X8
17682	C-R	5711*	17745	C-R	470088*	17793LUP	JN-MN	472439
17684	C-R	473448	17745LUP	JN-MN	481864	17794	C-R	45X80X10
17685	C-R	473448	17746	C-R	470088*	177949	US-EL	471766!
17685	SIDEW	471192	17746LDS	JN-MN	416239!*	17794LUP	JN-MN	473204
17686	C-R	1979	17748	C-R	3583	17795	C-R	224570
17687LDS	JN-MN	473231!	17749	C-R	45X62X8*	17796	C-R	45X85X10
17688LDS	JN-MN	471424!	17750	C-R	224520	177T5	WHITE	415449!
17689	C-R	473448*	17750	C-R	45X60X10!	17801	C-R	1939
1769	C-R	HU036A	17751	C-R	210945	17802	C-R	1906*
17691	C-R	710126	17752	C-R	224520	17803	C-R	710525
17691LDS	JN-MN	471692!	17752	C-R	45X60X8V!	17804	SUPER	418028
176927	CUMMI	417621	17753	C-R	710078	17804	SUPER	455137!
17693	C-R	473448*	17754	C-R	1012	17805	C-R	321460
17694LDS	JN-MN	471224!	17754	C-R	1012N	17806	C-R	321460*
17695	C-R	473448*	17754	C-R	45X62X8!	178070	CLIMX	473238!
17697	C-R	471984	17754	C-R	494122	17808	C-R	710248
17699	C-R	471984*	17754	C-R	710321*	1781	C-R	HU028A
176G	OSHKO	473464!	17755	C-R	455536*	17810	C-R	452742
176G	OSHKO	473464	17756	C-R	455536*	17811	C-R	452742
1770	C-R	HU034A	17756LDS	JN-MN	473226	17811	C-R	452742V!
17700	C-R	471984*	17757	C-R	1992	17815	C-R	7607
177000	JEFF	412871!	17757	C-R	45X65X8!	17817LUP	JN-MN	472150
17701LUP	JN-MN	471785!	17757LDS	JN-MN	472179	17818	C-R	45X72X7!
17702	C-R	204501!	17758	C-R	224560*	1782	C-R	HU039A
17702	C-R	471984*	17758	C-R	320564*	17820	C-R	50266
17703	C-R	45X72X7	17758	C-R	45X65X8!	17821	C-R	50266*
17706	C-R	471984	17758	C-R	710345	178223TB	TRSCM	321460
17707	C-R	471984*	17759	C-R	1992	178253TA	TRSCM	452742
177070	CLIMX	473238!	17759	C-R	45X65X8!	178263SB	TRSCM	50266
1771	C-R	HU042A	17760LUP	JN-MN	65X85X10	1782683SL	TRSCM	450269
17710	C-R	473313	17761	C-R	55687=	1782A2	WHITE	330385!
17710182	EL-PA	473010	17762	C-R	1992	1783	C-R	HU009A
17711	C-R	473313	17762	C-R	45X65X8!	17831	C-R	450269
17712	C-R	471984=	17762	C-R	45X65X8V!	17832	C-R	450269*
17714	C-R	710067	17764	C-R	45X65X8!	17833	SPICE	473228
17715	C-R	473313	17766	C-R	224560	17833	VIC	473228
17716	C-R	473313!*	17766	C-R	45X68X7!	1783301	SIDEW	471504!
17717	C-R	1992*	17767	C-R	320564	17834	C-R	450269
17718	C-R	473313!	17767	C-R	45X68X10V!	178345	HYST	415294!
177190	JEFF	416107!	17769	C-R	45X68X7*	17836	C-R	6781
177190	JEFF	455073	17770	C-R	45X70X10!	1784	C-R	HU066A
177191	JEFF	412473!	17771	C-R	476820	17841	C-R	450285
17719A	C-R	470530!	17773	C-R	224570	17842	C-R	450285
17720	C-R	710005	17773	C-R	45X72X8V!	178446	HYST	482163!
17722	C-R	710005	17774	C-R	45X72X7*	17846	C-R	8314
177234PTBY	TRSCM	2440	17775	C-R	9845	17846LDS	JN-MN	417020
17724	C-R	200303=	17775	C-R	9845V	17847	C-R	450285
17724A	C-R	473228	17776	C-R	45X72X95	178481	JEFF	471647

! Industrial Size/Type * Minor Width Difference = Call 1-800-480-1212 for price and delivery.

NUMERICAL

Zero Duplication or Recommended Industrial		Zero Duplication or Recommended Industrial		Zero Duplication or Recommended Industrial		Zero Duplication or Recommended Industrial		
Mfr. No.	Name	Mfr. No.	Name	Mfr. No.	Name	Mfr. No.	Name	
179618	ALLCH	415867	18039 C-R	451817*	181364 US-EL	415991!	182566 JEFF	415035!
179633	HYST	415962	1804009C91 IH	3894V	181364 US-EL	415991	182567 JEFF	417357
179643	ALLCH	415023	1804009C91+1806212C1 IH	5066	18137 UNIVE	471551!	182567 JEFF	455192!
179656	SPERY	415035 =	1804010C91 IH	3893V	18139 C-R	473449	182568 JEFF	470682
17972LDS	JN-MN	417181!	1804010C91 IH	39608	18140 C-R	473449	182569 JEFF	410694!
179737	ALLCH	352541	18041 BU-SP	471192	18148 EATON	471821 =	18258 C-R	5070
17975	C-R	46X72X8	1804414 GMC	410987!	18148D IH	415066	182591 JEFF	412871!
1797558	CHRY5	415988	18047 C-R	1992	18149 C-R	7600S	182614 HYST	471341!
17980	C-R	46X73X8	18047 C-R	203006!*	18151D IH	417316!	1826167 CHRY5	7013S
1799582	CHRY5	411348!	18049 C-R	5133	18152F OSHKO	417487!	182623VB TRSCM	6985
17B528	UNIVE	340724!	18050 C-R	203006!*	18152F OSHKO	417487	18263SSB TRSCM	331227H
17DH4300	DURA	471554!	18053 C-R	203006!*	18154G P-C	TCS45472	18263TB TRSCM	427439
17DH430A	DURA	471231!	18055 C-R	44053	18158 C-R	473449	18264 C-R	7044NA
17DH430AAS	DURA	473236!	180562 US-EL	415984!	181580 JEFF	473452	18265 EATON	417181 =
17DH430B	DURA	471570!	18058 C-R	472070	18159 C-R	473449!*	18266 C-R	450090
17DH430BB	DURA	471267!	180586 FMC	471354!	1816046C1 IH	3894V	18267 C-R	450090
17DH430D	DURA	450039	180587 FMC	471649!	1816558C91 IH	39608	1826719 CHRY5	7216
17DH430DD	DURA	472705!	180597 ALLCH	415027 =	1816559C91 IH	39608	18268 C-R	481992
17DH430F	DURA	471649!	1805B-54 HU-WR	472924!	18167 C-R	480281!	1826C GOODM	472636!
17DH430K	DURA	471765!	180612 ALLCH	415683	18167A C-R	415449!	1826D GOODM	472636!
17DH430L	DURA	473426	1806380C91 IH	416404!	18168 C-R	480281!	18270 C-R	450090*
17DH430M	DURA	471750!	18064G P-C	TCS45472	181692 HYST	416921!	18271 C-R	450090*
17DH430O	DURA	471554!	180689 HYST	472924!	1817-B1 REO	370023A	1827176C91 IH	600337
17DH430OS	DURA	471554!	180689 HYST	472924* =	18173 NEWPR	4741	1827177C1 IH	416404
17DH430T	DURA	473234	18070 C-R	472070	181737 HYST	471766!	18272 C-R	450090
17DH430Y	DURA	470712!	18071 C-R	472070	18175 FMC	204002	18273TA TRSCM	472572!
17DH430YS	DURA	470712!	1807783C1 IH	J1127	1817865C1 IH	917034	18273TB TRSCM	472572!
17DH579	DURA	473197	1808 C-R	HU065A	1817867C92 IH	917034	182745P TRSCM	3604
17DH663	DURA	473231!	180847C1 IH	39958	1818772C1 IH	416404!	18274SSBJ TRSCM	473179
17G170	OSHKO	415023	1808751C91 IH	5066	18190 C-R	3604	18274TA TRSCM	414045!
17G91	OSHKO	415023	18094G P-C	TCS45472	181937 ALLCH	416865!	18275TBJ TRSCM	9449
17GX91	OSHKO	415023	1809797 MCKIN	416865!	1819733C91 IH	39608	18276 C-R	6930*
17R528	MTR-C	340724!	1809964C92 IH	5624	18198 BU-SP	7208S	182778 HARN	415725!
17T12	ATHEY	415988	18099LUP JN-MN	417433!	181W287 CONE	5531	18278 C-R	6930*
17T12	FRUEH	415988	180X200X15 SIMRT	180X200X15	182 C-R	5576	1827D GOODM	412920!
17X27X7SC	TRSCM	17X27X7	180X210X15SC TRSCM	180X210X15	182 CALI	417223	182806XX TIMKE	18X28X6
17X27X7TC	TRSCM	17X27X7	180X210X15TC TRSCM	180X210X15	18201 DIVCO	473215!	18283SB TRSCM	473238
17X28X7SC	TRSCM	17X28X7	18100 C-R	472070	182067 ALLCH	472560N	18283SP TRSCM	9912
17X28X7TC	TRSCM	17X28X7	18100 MICH	472705!	182091 HYST	472258!	18283TB TRSCM	473238!
17X30X7SC	TRSCM	17X30X7	18100D IH	470530!	182110 C-R	6370N	182843KBY TRSCM	5699
17X30X7TC	TRSCM	17X30X7	18103 C-R	472070	182112 C-R	323138!	18285SP TRSCM	2689S
17X32X7SC	TRSCM	17X32X7	18104 C-R	472070*	18217 C-R	203006!	18285TBJ TRSCM	5126
17X32X7TC	TRSCM	17X32X7	1810879 MCKIN	472394	182200118 IG-RA	415995!	1828719 CHRY5	7216
17X35X7SC	TRSCM	17X35X7	1810883 MCKIN	472016	182274VHY TRSCM	7600S	1828OS JN-MN	417596
17X35X7TC	TRSCM	17X35X7	181103 ALLCH	418028!	1822834C91 IH	5723	18292VM TRSCM	6064
17X37X7SC	TRSCM	17X37X7	1811035 WOOL	415036	1822836C1 IH	5723	182992VB TRSCM	203034!
17X37X7TC	TRSCM	17X37X7	18112 C-R	471866!	182293 JEFF	471341!	182992VB TRSCM	6547
17X38X7SC	TRSCM	17X38X7	18112 MICH	471281!	182294 JEFF	417596	183-525-217 AUDI	223845
17X38X7TC	TRSCM	17X38X7	18112 UNIVE	471281!	18231 C-R	473450	183-525-217 VW	223845
17X40X7SC	TRSCM	17X40X7	18114 C-R	471866* =	18231 US-EL	474255	183-525-217A AUDI	223845
17X40X7TC	TRSCM	17X40X7	181153 JEFF	411376!	18232 C-R	473450	183-525-217A VW	223845
17X47X7AN(35)	ISP	17X47X7	18116 C-R	471866!	1823404C1 NAVST	600012	183003TB TRSCM	473239!
17X47X8SC	TRSCM	17X47X8	18117 C-R	471866 =	182387 JEFF	471271!	183007XX TIMKE	18X30X7
17X47X8TC	TRSCM	17X47X8	18121 C-R	471866!	1824075 CHRY5	472354!	18303TB TRSCM	473457!
180 C-R	5095	1812329C92 IH	5723	18241 C-R	473450	18303VSB TRSCM	473239	
18000 C-R	710397	181234VB TRSCM	444116	18242 C-R	473450!*	18306A C-R	470530!	
180008M1	MASSE	6336S	18124 BU-SP	417486	18242D IH	416339	1831 C-R	450593!
1800106003	BUDD	416158	18125 MICH	450536	18242D IH	455031!	1831 CLARK	450593!
180029	CHRY5	5399	18125 MICH	471535!	18242VB TRSCM	7934S	183105BP TRSCM	7216
180030	CHRY5	5531	18125 UNIVE	471535!	182455 JEFF	473237!	18311 C-R	473419
18009	C-R	4249	181254VHY TRSCM	203006!	182473TB TRSCM	472747	18311M1 C-R	473419
18014	C-R	224663	181265TBJ TRSCM	472070	18250 C-R	473450!*	18312 C-R	473419
18020015C	HARWA	180X200X15	18127 C-R	7186S	182502VHY TRSCM	340823	18312M1 C-R	473419
18021	EATON	416500	18128 C-R	7186S	182503SB TRSCM	473454	18313 C-R	450040
18022A	MASSE	474272	181287C1 CASE	473240	182512 JEFF	418029!	18313SP TRSCM	6808N
1802382	FORD	7381S	181287C1 IH	473240!	182513 JEFF	417492	18314 C-R	476838!
18024	C-R	4278	181288C1 IH	470565!	182514 JEFF	456105	18314 FAIRB	476838!
1803	C-R	HU149A	18130 C-R	473449	18253SSB TRSCM	473454	18314M1 C-R	476838!
18030	C-R	710409	181313PTB TRSCM	7044NA	18253X MASSE	471424!	18314PSP TRSCM	9316
18032	BU-SP	415991	18134LDS JN-MN	416865!	182564PTBJ TRSCM	2942	18319SP TRSCM	3195
18036LUP	JN-MN	471141!	181361 US-EL	416380!	182564PTBJ TRSCM	350936!	1831M1 C-R	450593!
18038	BU-SP	472636!	181363 US-EL	473517!	182566 JEFF	415035	183207XX TIMKE	18X32X7

! Industrial Size/Type * Minor Width Difference = Call 1-800-480-1212 for price and delivery.

Zero Duplication or Recommended		Zero Duplication or Recommended		Zero Duplication or Recommended		Zero Duplication or Recommended	
Mfr. No.	Name	Mfr. No.	Name	Mfr. No.	Name	Mfr. No.	Name
183208XX	TIMKE	18436	C-R	18528LUP	JN-MN	18601	C-R
183214	CONCA	18436A	C-R	18529LUP	JN-MN	18603	C-R
18324	C-R	18438	C-R	185312	JEFF	1860325M1	MASSE
18325	C-R	18439	C-R	18531A	C-R	186063	BENDI
18325	DIVCO	18440LUP	JN-MN	18531A	C-R	18609	C-R
18326	C-R	18443	C-R	18532LUP	JN-MN	1861	C-R
18327	C-R	18444	C-R	18535	C-R	18611	C-R
18328	C-R	18444	C-R	18536	C-R	186110	C-R
18328	FAIRB	18446	C-R	18539A	MASSE	186112	C-R
18328	HUGKE	18446323	SPICE	18539A	MASSE	186112M1	C-R
18328M1	CR-CF	18446326	SPICE	18539LDS	JN-MN	18613	C-R
18329	C-R	18447	C-R	18542LUP	JN-MN	18614	C-R
18330	C-R	18450	C-R	18543	C-R	18615	C-R
18331	C-R	18450	C-R	185433R91	IH	18615	ROCKW
18331	FAIRB	18451	C-R	18544	C-R	18616	C-R
18334TA	TRSCM	184517	GOODM	1854449	CHRY	18617	C-R
18336	SPICE	18452	C-R	1854449	GMC	18618	C-R
18338115	SPICE	18454	C-R	18545	C-R	18623	C-R
18342702	EL-PA	18454	C-R	18546	C-R	18624	C-R
1834474C1	IH	18458	C-R	18546	C-R	18625	C-R
18346312	SPICE	18458	FITZ	18548	C-R	18626	C-R
1834632C1	IH	18459	FITZ	18549	C-R	18630	C-R
1834638	SPICE	18461	C-R	18550	C-R	18633	C-R
183507A	HARWA	184631	SPICE	1855001	BR-WN	18638	C-R
183507XX	TIMKE	184636	SPICE	18551	C-R	18640	C-R
18355	SPICE	184638	SPICE	18552	C-R	186417	HYST
18356392	EL-PA	184639	SPICE	18553	C-R	186418	HYST
18359-1	SPICE	18463LUP	JN-MN	18554	C-R	18647	C-R
18365	SIDEW	18465	C-R	18555	C-R	1864750	GMC
183708XX	TIMKE	18467	C-R	18555	C-R	18650	C-R
18375LUP	JN-MN	18470	C-R	18556	C-R	18651	C-R
18376LUP	JN-MN	18470	C-R	18558	C-R	18654	C-R
183807XX	TIMKE	1847386	GMC	18558D	IH	1865517	GMC
183837	HOUGH	18475	OLIVE	18559	C-R	1865517	GMC
183837H1	IH	18480	C-R	18560	C-R	18656	C-R
183847H1	HOUGH	18480	C-R	1856001	BR-WN	18657	C-R
18384D	IH	18485	C-R	18561	C-R	18657	C-R
18396LUP	JN-MN	18487	MASSE	18562	C-R	18658	C-R
183CP1M1	C-R	18487A	MASSE	18563	C-R	18659	C-R
183F1	C-R	18488	C-R	18564LPD	JN-MN	18659	SPICE
183W1	C-R	18489	C-R	18565	C-R	18660	C-R
183W12	C-R	18489A	MASSE	18566	C-R	18661	C-R
183W14	C-R	18489A	MASSE	18567	C-R	18662	C-R
183W14	CR-CF	1848OS	JN-MN	18567X	MASSE	18663	C-R
183W14-M1	C-R	18490	C-R	18570	C-R	18667	C-R
183W1M1	C-R	18492	C-R	1857001	BR-WN	18668	C-R
183W28	CR-CF	184926	HYST	1857002	BR-WN	18669	C-R
184007XX	TIMKE	184947	HYST	1857003	BR-WN	1866Y	HYST
18402	SPICE	184947	HYST	1857005	BR-WN	18670	C-R
1840201	SIDEW	1849949	GMC	185705R91	IH	18671	C-R
184021	SPICE	185	C-R	18571	C-R	1867150	GMC
184023	SPICE	185031	JEFF	18575	C-R	18672	C-R
184025	SPICE	185031	O-M	18580	C-R	18673	C-R
184072C91	CASE	18505	C-R	1858007	BR-WN	18674K	IH
18408	C-R	1850519M1	PERKI	18581	C-R	18675	C-R
18408	EATON	185064M91	MASSE	18583	C-R	18676	C-R
18408	SIDEW	185076	HYST	18584	C-R	186768R91	IH
1840847M1	MASSE	18510	C-R	18587	C-R	186769R91	IH
1841007	BR-WN	1851001	BR-WN	185877	HYST	18677	C-R
18412	C-R	18513	C-R	18591	C-R	18678	C-R
18412LDS	JN-MN	18516	SPICE	18592	C-R	186780	CUMMI
18415	C-R	1851747M1	MASSE	18595	C-R	186786R91	IH
18419LDS	JN-MN	18518A	MASSE	18596	C-R	18679	C-R
1842	C-R	185198	HOUGH	18597	C-R	18679	C-R
184232	JEFF	185198	IH	18598	C-R	18679	C-R
184232	JEFF	185198H1	HOUGH	18599	C-R	18680S	JN-MN
184242VAY	TRSCM	185209	HOUGH	185FF112	C-R	18690	C-R
18425	C-R	185209H1	IH	185X210X13	SIMRT	18688	C-R
18426LUP	JN-MN	185210H1	IH	185X210X13SC	TRSCM	18688	C-R
18427	C-R	18521013A	HARWA	185X210X13TC	TRSCM	18689	C-R
1843	C-R	185210H1	IH	186	C-R	1868OS	JN-MN
1843	C-R	185215C1	IH	18600	C-R	18690	C-R

! Industrial Size/Type * Minor Width Difference = Call 1-800-480-1212 for price and delivery.

NUMERICAL

Zero Duplication or Recommended Industrial		Zero Duplication or Recommended Industrial		Zero Duplication or Recommended Industrial		Zero Duplication or Recommended Industrial			
Mfr. No.	Name	Mfr. No.	Name	Mfr. No.	Name	Mfr. No.	Name		
186908	CUMMI	5010	=	18881	C-R	3195	18968	C-R	224835
18691	C-R	473179		18882	C-R	473240!	18968	C-R	224840*
18692	C-R	473179		18883	C-R	7216	18968	C-R	48X68X10!*
18693	C-R	414045!		18885	C-R	473458!*	18969	C-R	224835
18694	C-R	414045!		188856	HYST	415035	1896RC	SUL	416865!
18695	C-R	1959		18886	C-R	473458!*	18970	C-R	1994
18695	C-R	414045!*		18887	C-R	6808N	18970	C-R	48X70X8
18697	C-R	5699		18888	C-R	6808N	18970	C-R	48X70X9!
18698	C-R	414045!		18889	C-R	715100	18970	C-R	710313*
18699	C-R	414045!		18891	C-R	9316	18971	C-R	1994
1869OS	JN-MN	415066		18896	C-R	719316	18971	C-R	712010
187	C-R	5092		1889633	ALLCH	473436	18972	C-R	1208
1870	C-R	HU034A		1889633	GMC	473436	18972	C-R	48X72X7!
18708	C-R	5126		18897	C-R	710356	18973	C-R	224872
18708	C-R	8515N*		18898	OLIVE	416125!	18973	C-R	48X72X8V!
18708LPD	JN-MN	415077		18898	WHITE	416125!	18974	C-R	224874
18709	C-R	414045!		18899	C-R	473458!	18975	C-R	48X75X10
18709LPD	JN-MN	415116		1889A3	DIA	472157	18976	C-R	224872
1870OS	JN-MN	415991		1889A3	WHITE	472157	18976	C-R	48X72X7!
1870OS	JN-MN	455146!		189	C-R	5072	18977	C-R	224850
1871	C-R	471733		1890	C-R	HU009A	18979	C-R	224870
1871	GOODM	471733		18900	OLIVE	473234	18981	C-R	48X80X8
18710	C-R	2689S		189005	JEFF	472354!	18982	C-R	48X82X8
18711	C-R	473445		18902	C-R	473458!*	18983	C-R	224979
18711LPD	JN-MN	417596		18911	C-R	451078!	18985	C-R	48X85X8
18712	C-R	471735		18912	C-R	7216	18986	C-R	48X80X8
18714	C-R	470712!		18914	C-R	7216	18990	C-R	9049
18714M1	C-R	470712!		18914LUP	JN-MN	412871!	18990	C-R	9049N
187189R91	IH	40769S		18915	C-R	410524	18991	C-R	48X90X10
18719	C-R	473238		18916	C-R	410524*	18992	C-R	4333N
1872	SPG	224520		18918	C-R	410524*	18994	C-R	714503
1872	SPG	45X60X10!		1891820	FMC	471442!	18995	C-R	9449
18720LUP	JN-MN	472029		189210	VICK	8059S	18997	C-R	344032
187212R91	IH	450143		18922	C-R	451078!	18998	C-R	5208
18727	C-R	710337		18924	TMTR	472560N	189V539P1	GE	472016
18728	C-R	471730		189242SB	TRSCM	8704S	18BX1	TRACS	417491
1872OS	JN-MN	327303!		189254R91	IH	416130!	18BX1	WHITE	417491
1873	TIMKE	1873		18926	C-R	477609* =	18BX10	TRACS	417357
18731	C-R	9912		189311R1	IH	471689!	18BX10	TRACS	455192!
18732	C-R	473238 =		18932D	IH	416738!	18BX10	WHITE	417357
18733	C-R	473238!		18932D	IH	450096	18BX10	WHITE	455192!
18734	C-R	473238!		189381R91	IH	415060	18BX4	WHITE	417316!
18735	C-R	473238		189381R91	IH	455060	18BX5	TRACS	415991
18736	C-R	473238		1893OS	JN-MN	415058	18BX5	TRACS	455146!
18737	C-R	473238 =		1894OS	JN-MN	417536	18BX5	WHITE	415991
18743	C-R	473238!		18950	C-R	6127	18BX5	WHITE	455146!
18744	C-R	473238!		1895028	GMC	471765!	18BX7	TRACS	415219
18747	C-R	473238		18951	C-R	224865	18BX7	WHITE	415219
18747A	HEIL	470712!		18952	C-R	224840	18BX8	TRACS	415124
18747A	HERCU	470712!		18952	C-R	48X68X10!	18BX8	WHITE	415124
18748	C-R	473238!		18953	C-R	224840	18BX9	TRACS	417546!
18750	C-R	473238!*		18955	C-R	224820	18BX9	WHITE	417546!
18754	C-R	473238		18955	C-R	48X62X8!	18F681D1	HARN	471442!
18755	C-R	473238!		18956	C-R	48X62X8V	18F681D10	HARN	471529
18757	SPICE	472560N		18957	C-R	48X62X8V	18F681D100	HARN	410825
18757	VIC	472560N		18958	C-R	224820	18F681D102	HARN	411245!
187571	SPICE	472560N		18959	C-R	710167	18F681D103	HARN	417073
187572	SPICE	472560N		18961	C-R	7105S	18F681D104	HARN	471271!
18759AB	CASE	455566		18962	C-R	224820	18F681D105	HARN	415449!
18762	C-R	473238		18962	C-R	48X62X8!	18F681D106	HARN	416273!
18763	C-R	5697		18963	C-R	224810	18F681D107	HARN	413479
18765	C-R	5697		18963	C-R	48X62X8!	18F681D108	HARN	415988
18765A	C-R	470530!		18964	C-R	1956	18F681D109	HARN	417481
18768	C-R	6064		18965	C-R	1973	18F681D111	HARN	471538!
18769	SIDEW	473214!		18965	C-R	48X65X10!	18F681D110	HARN	412871!
18769D	IH	417487		18965	CLARK	370021A	18F681D111	HARN	417343!
18770	SIDEW	472179		189652	CUMMI	5026\$	18F681D112	HARN	415007
187705	JEFF	415007		18966	C-R	1977	18F681D113	HARN	455434
18770D	IH	470059		18966	C-R	48X65X10V!	18F681D114	HARN	455151
18770D	IH	470380!		18966	C-R	716484	18F681D115	HARN	455008
18771	C-R	472572		18967	C-R	224865	18F681D116	HARN	416664!
18772	C-R	6064		18967	C-R	48X65X10!	18F681D117	HARN	417316!

! Industrial Size/Type * Minor Width Difference \$F-M Number Is Part Of A Kit = Call 1-800-480-1212 for price and delivery.

Zero Duplication or Recommended		Zero Duplication or Recommended		Zero Duplication or Recommended		Zero Duplication or Recommended		
Mfr. No.	Name	Mfr. No.	Name	Mfr. No.	Name	Mfr. No.	Name	
18F681D118	HARN	415960!	18F681D180	HARN	415035!	18F681D240	HARN	417555!
18F681D119	HARN	455005	18F681D180	HARN	415035	18F681D241	HARN	417556
18F681D12	HARN	471579	18F681D181	HARN	417357	18F681D242	HARN	417362!
18F681D120	HARN	417485	18F681D181	HARN	455192!	18F681D243	HARN	416666
18F681D121	HARN	475384	18F681D182	HARN	415036	18F681D244	HARN	416476!
18F681D122	HARN	417344!	18F681D183	HARN	55193=	18F681D245	HARN	455297
18F681D123	HARN	416921!	18F681D184	HARN	455037	18F681D247	HARN	455330!
18F681D124	HARN	417134	18F681D186	HARN	415142	18F681D248	HARN	457874
18F681D125	HARN	416956	18F681D187	HARN	417512	18F681D249	HARN	55316=
18F681D126	HARN	416654!	18F681D188	HARN	415043	18F681D25	HARN	471224!
18F681D127	HARN	417486	18F681D189	HARN	455194	18F681D250	HARN	417562
18F681D128	HARN	415995!	18F681D19	HARN	471267!	18F681D251	HARN	55242
18F681D129	HARN	417351!	18F681D190	HARN	417513	18F681D252	HARN	417563
18F681D130	HARN	417487	18F681D191	HARN	417514	18F681D253	HARN	415294!
18F681D131	HARN	55155=	18F681D192	HARN	472157	18F681D254	HARN	416229
18F681D132	HARN	456015	18F681D192	HARN	472157!	18F681D255	HARN	417298
18F681D135	HARN	417621!	18F681D193	HARN	416556!	18F681D256	HARN	415327
18F681D136	HARN	416288!	18F681D193	HARN	472157	18F681D257	HARN	417596
18F681D137	HARN	417171!	18F681D194	HARN	416891!	18F681D258	HARN	455584
18F681D138	HARN	456105	18F681D195	HARN	415045!	18F681D259	HARN	416364!
18F681D139	HARN	455336	18F681D196	HARN	455197N	18F681D26	HARN	471649!
18F681D14	HARN	471554!	18F681D197	HARN	417520	18F681D260	HARN	416239!
18F681D140	HARN	455022	18F681D198	HARN	416144	18F681D261	HARN	416077
18F681D141	HARN	476470	18F681D199	HARN	415196!	18F681D262	HARN	415116
18F681D142	HARN	417181!	18F681D20	HARN	471570!	18F681D263	HARN	455117
18F681D143	HARN	415023	18F681D200	HARN	415047	18F681D264	HARN	415317
18F681D144	HARN	416292	18F681D201	HARN	416149	18F681D265	HARN	415867
18F681D145	HARN	415085!	18F681D202	HARN	55199=	18F681D266	HARN	415551
18F681D145	HARN	456648	18F681D203	HARN	417525	18F681D267	HARN	417598
18F681D146	HARN	455024	18F681D204	HARN	417526	18F681D268	HARN	455406!
18F681D147	HARN	415442!	18F681D205	HARN	327303!	18F681D27	HARN	471689!
18F681D147	HARN	55442	18F681D206	HARN	416888!	18F681D270	HARN	455397
18F681D148	HARN	417191	18F681D207	HARN	416153!	18F681D271	HARN	455121
18F681D148	HARN	456585	18F681D208	HARN	416892!	18F681D272	HARN	417600
18F681D149	HARN	415025	18F681D209	HARN	417533	18F681D273	HARN	417601
18F681D15	HARN	471567!	18F681D21	HARN	471646!	18F681D274	HARN	455123
18F681D151	HARN	417492	18F681D210	HARN	417534	18F681D276	HARN	415124
18F681D152	HARN	455026	18F681D211	HARN	457585	18F681D277	HARN	417022
18F681D154	HARN	415991	18F681D212	HARN	415371	18F681D278	HARN	417603!
18F681D154	HARN	455146!	18F681D213	HARN	416158	18F681D28	HARN	480210!
18F681D155	HARN	417196!	18F681D214	HARN	415064	18F681D280	HARN	417567
18F681D156	HARN	415437	18F681D215	HARN	415284	18F681D281	HARN	415128
18F681D156	HARN	415437!	18F681D216	HARN	417535	18F681D282	HARN	455129
18F681D157	HARN	415027!	18F681D217	HARN	417536	18F681D283	HARN	455462
18F681D157	HARN	415027	18F681D218	HARN	415138!	18F681D284	HARN	415090
18F681D158	HARN	415498	18F681D219	HARN	417247!	18F681D285	HARN	415219
18F681D159	HARN	417497	18F681D22	HARN	471571	18F681D286	HARN	417606
18F681D16	HARN	471231!	18F681D220	HARN	415066	18F681D287	HARN	55078S
18F681D160	HARN	55028	18F681D221	HARN	416163	18F681D288	HARN	55223=
18F681D161	HARN	416332!	18F681D222	HARN	456890	18F681D289	HARN	417605
18F681D162	HARN	415937!	18F681D223	HARN	455614	18F681D29	HARN	471651
18F681D163	HARN	416125!	18F681D224	HARN	416167!	18F681D290	HARN	417020
18F681D165	HARN	417501	18F681D225	HARN	417267	18F681D291	HARN	417570
18F681D166	HARN	55030	18F681D226	HARN	417269!	18F681D292	HARN	415227!
18F681D167	HARN	415379	18F681D227	HARN	417539!	18F681D293	HARN	55228=
18F681D167	HARN	415379!	18F681D228	HARN	417273	18F681D294	HARN	415482
18F681D168	HARN	416339	18F681D229	HARN	417540	18F681D295	HARN	415077
18F681D168	HARN	455031!	18F681D23	HARN	471647	18F681D297	HARN	473232
18F681D169	HARN	415150!	18F681D230	HARN	416865!	18F681D298	HARN	415085!
18F681D17	HARN	474253	18F681D231	HARN	417541	18F681D298	HARN	456648
18F681D170	HARN	455178=	18F681D232	HARN	417546!	18F681D299	HARN	415072
18F681D171	HARN	455032!	18F681D233	HARN	417547	18F681D3	HARN	471472!
18F681D172	HARN	455189	18F681D234	HARN	417262!	18F681D30	HARN	471705!
18F681D173	HARN	417210!	18F681D235	HARN	415645!	18F681D300	HARN	472636!
18F681D174	HARN	416345!	18F681D235	HARN	455104	18F681D301	HARN	415711
18F681D174	HARN	455033	18F681D236	HARN	417551	18F681D302	HARN	471750!
18F681D175	HARN	417366!	18F681D237	HARN	415938	18F681D303	HARN	415001!
18F681D176	HARN	415034!	18F681D238	HARN	417254	18F681D304	HARN	450104
18F681D177	HARN	455191	18F681D239	HARN	416107!	18F681D305	HARN	416865!
18F681D178	HARN	417506	18F681D239	HARN	455073	18F681D306	HARN	417491
18F681D179	HARN	415187	18F681D24	HARN	472951	18F681D307	HARN	417490
18F681D18	HARN	471645	18F681D24	HARN	474252	18F681D308	HARN	415023
18F681D309	HARN	415021				18F681D309	HARN	415021
18F681D31	HARN	471652				18F681D31	HARN	471652
18F681D31	HARN	482208!				18F681D31	HARN	482208!
18F681D310	HARN	471192				18F681D310	HARN	471192
18F681D311	HARN	415196!				18F681D311	HARN	415196!
18F681D313	HARN	415991				18F681D313	HARN	415991
18F681D313	HARN	455146!				18F681D313	HARN	455146!
18F681D314	HARN	417211!				18F681D314	HARN	417211!
18F681D315	HARN	473214				18F681D315	HARN	473214
18F681D316	HARN	415035				18F681D316	HARN	415035
18F681D316	HARN	415035!				18F681D316	HARN	415035!
18F681D317	HARN	450084!				18F681D317	HARN	450084!
18F681D318	HARN	473243				18F681D318	HARN	473243
18F681D319	HARN	473458!				18F681D319	HARN	473458!
18F681D32	HARN	471692!				18F681D32	HARN	471692!
18F681D320	HARN	472409!				18F681D320	HARN	472409!
18F681D321	HARN	412861				18F681D321	HARN	412861
18F681D322	HARN	411253!				18F681D322	HARN	411253!
18F681D323	HARN	412473!				18F681D323	HARN	412473!
18F681D324	HARN	470059				18F681D324	HARN	470059
18F681D324	HARN	470380!				18F681D324	HARN	470380!
18F681D325	HARN	410987!				18F681D325	HARN	410987!
18F681D326	HARN	413469!				18F681D326	HARN	413469!
18F681D327	HARN	471795				18F681D327	HARN	471795
18F681D328	HARN	471820				18F681D328	HARN	471820
18F681D329	HARN	415458!				18F681D329	HARN	415458!
18F681D33	HARN	471763				18F681D33	HARN	471763
18F681D330	HARN	472409!				18F681D330	HARN	472409!
18F681D332	HARN	455129				18F681D332	HARN	455129
18F681D334	HARN	417509				18F681D334	HARN	417509
18F681D335	HARN	417223				18F681D335	HARN	417223
18F681D336	HARN	412943				18F681D336	HARN	412943
18F681D337	HARN	55358=				18F681D337	HARN	55358=
18F681D338	HARN	471103!				18F681D338	HARN	471103!
18F681D339	HARN	416282				18F681D339	HARN	416282
18F681D34	HARN	470328				18F681D34	HARN	470328
18F681D34	HARN	481213!				18F681D34	HARN	481213!
18F681D340	HARN	410102				18F681D340	HARN	410102
18F681D341	HARN	471785!				18F681D341	HARN	471785!
18F681D343	HARN	417356!				18F681D343	HARN	417356!
18F681D343	HARN	455188				18F681D343	HARN	455188
18F681D344	HARN	50478				18F681D344	HARN	50478
18F681D345	HARN	470354				18F681D345	HARN	470354
18F681D346	HARN	470605!				18F681D346	HARN	470605!
18F681D347	HARN	417511				18F681D347	HARN	417511
18F681D348	HARN	413246				18F681D348	HARN	413246
18F681D349	HARN	415077				18F681D349	HARN	415077
18F681D35	HARN	473426				18F681D35	HARN	473426
18F681D350	HARN	455144				18F681D350	HARN	455144
18F681D351	HARN	417349				18F681D351	HARN	417349
18F681D352	HARN	493291				18F681D352	HARN	493291
18F681D353	HARN	43086S				18F681D353	HARN	43086S
18F681D355	HARN	415259!				18F681D355	HARN	415259!
18F681D356	HARN	470682				18F681D356	HARN	470682
18F681D357	HARN	416404!				18F681D357	HARN	416404!
18F681D358	HARN	417172				18F681D358	HARN	417172
18F681D359	HARN	417158!				18F681D359	HARN	417158!
18F681D36	HARN	474255				18F681D36	HARN	474255
18F681D360	HARN	418028				18F681D360	HARN	418028
18F681D360	HARN	455137!				18F681D360		

Zero Duplication or Recommended		Zero Duplication or Recommended		Zero Duplication or Recommended		Zero Duplication or Recommended	
Mfr. No.	Name	Mfr. No.	Name	Mfr. No.	Name	Mfr. No.	Name
18F681D38	HARN	18F682D101	HARN	18F682D163	HARN	18F682D226	HARN
18F681D380	HARN	18F682D102	HARN	18F682D164	HARN	18F682D227	HARN
18F681D381	HARN	18F682D103	HARN	18F682D165	HARN	18F682D228	HARN
18F681D383	HARN	18F682D104	HARN	18F682D166	HARN	18F682D229	HARN
18F681D39	HARN	18F682D105	HARN	18F682D167	HARN	18F682D23	HARN
18F681D39	HARN	18F682D106	HARN	18F682D168	HARN	18F682D230	HARN
18F681D4	HARN	18F682D107	HARN	18F682D169	HARN	18F682D231	HARN
18F681D40	HARN	18F682D108	HARN	18F682D169	HARN	18F682D232	HARN
18F681D42	HARN	18F682D109	HARN	18F682D17	HARN	18F682D233	HARN
18F681D42	HARN	18F682D11	HARN	18F682D170	HARN	18F682D234	HARN
18F681D43	HARN	18F682D110	HARN	18F682D170	HARN	18F682D235	HARN
18F681D43	HARN	18F682D111	HARN	18F682D171	HARN	18F682D238	HARN
18F681D44	HARN	18F682D112	HARN	18F682D173	HARN	18F682D236	HARN
18F681D45	HARN	18F682D113	HARN	18F682D175	HARN	18F682D239	HARN
18F681D46	HARN	18F682D114	HARN	18F682D176	HARN	18F682D24	HARN
18F681D47	HARN	18F682D115	HARN	18F682D177	HARN	18F682D24	HARN
18F681D48	HARN	18F682D116	HARN	18F682D178	HARN	18F682D240	HARN
18F681D49	HARN	18F682D117	HARN	18F682D179	HARN	18F682D241	HARN
18F681D5	HARN	18F682D118	HARN	18F682D18	HARN	18F682D242	HARN
18F681D50	HARN	18F682D119	HARN	18F682D180	HARN	18F682D244	HARN
18F681D51	HARN	18F682D12	HARN	18F682D181	HARN	18F682D245	HARN
18F681D52	HARN	18F682D120	HARN	18F682D181	HARN	18F682D246	HARN
18F681D53	HARN	18F682D121	HARN	18F682D182	HARN	18F682D247	HARN
18F681D54	HARN	18F682D122	HARN	18F682D182	HARN	18F682D248	HARN
18F681D55	HARN	18F682D123	HARN	18F682D183	HARN	18F682D249	HARN
18F681D56	HARN	18F682D124	HARN	18F682D184	HARN	18F682D25	HARN
18F681D57	HARN	18F682D125	HARN	18F682D185	HARN	18F682D250	HARN
18F681D58	HARN	18F682D126	HARN	18F682D186	HARN	18F682D251	HARN
18F681D58	HARN	18F682D127	HARN	18F682D187	HARN	18F682D252	HARN
18F681D59	HARN	18F682D128	HARN	18F682D188	HARN	18F682D253	HARN
18F681D6	HARN	18F682D129	HARN	18F682D189	HARN	18F682D254	HARN
18F681D60	HARN	18F682D131	HARN	18F682D19	HARN	18F682D255	HARN
18F681D61	HARN	18F682D132	HARN	18F682D190	HARN	18F682D256	HARN
18F681D62	HARN	18F682D133	HARN	18F682D192	HARN	18F682D257	HARN
18F681D63	HARN	18F682D134	HARN	18F682D193	HARN	18F682D258	HARN
18F681D64	HARN	18F682D135	HARN	18F682D194	HARN	18F682D259	HARN
18F681D65	HARN	18F682D136	HARN	18F682D195	HARN	18F682D26	HARN
18F681D66	HARN	18F682D137	HARN	18F682D196	HARN	18F682D260	HARN
18F681D67	HARN	18F682D138	HARN	18F682D197	HARN	18F682D261	HARN
18F681D68	HARN	18F682D139	HARN	18F682D198	HARN	18F682D262	HARN
18F681D69	HARN	18F682D14	HARN	18F682D199	HARN	18F682D263	HARN
18F681D7	HARN	18F682D140	HARN	18F682D20	HARN	18F682D264	HARN
18F681D70	HARN	18F682D141	HARN	18F682D200	HARN	18F682D265	HARN
18F681D71	HARN	18F682D141	HARN	18F682D201	HARN	18F682D266	HARN
18F681D72	HARN	18F682D142	HARN	18F682D202	HARN	18F682D267	HARN
18F681D75	HARN	18F682D143	HARN	18F682D203	HARN	18F682D268	HARN
18F681D76	HARN	18F682D144	HARN	18F682D204	HARN	18F682D269	HARN
18F681D77	HARN	18F682D145	HARN	18F682D205	HARN	18F682D27	HARN
18F681D78	HARN	18F682D145	HARN	18F682D206	HARN	18F682D271	HARN
18F681D79	HARN	18F682D146	HARN	18F682D207	HARN	18F682D272	HARN
18F681D80	HARN	18F682D146	HARN	18F682D208	HARN	18F682D273	HARN
18F681D81	HARN	18F682D147	HARN	18F682D209	HARN	18F682D274	HARN
18F681D83	HARN	18F682D148	HARN	18F682D21	HARN	18F682D275	HARN
18F681D84	HARN	18F682D149	HARN	18F682D210	HARN	18F682D276	HARN
18F681D85	HARN	18F682D149	HARN	18F682D211	HARN	18F682D277	HARN
18F681D86	HARN	18F682D15	HARN	18F682D212	HARN	18F682D278	HARN
18F681D87	HARN	18F682D150	HARN	18F682D213	HARN	18F682D28	HARN
18F681D88	HARN	18F682D151	HARN	18F682D214	HARN	18F682D280	HARN
18F681D89	HARN	18F682D152	HARN	18F682D215	HARN	18F682D282	HARN
18F681D9	HARN	18F682D153	HARN	18F682D216	HARN	18F682D283	HARN
18F681D90	HARN	18F682D154	HARN	18F682D217	HARN	18F682D284	HARN
18F681D92	HARN	18F682D155	HARN	18F682D218	HARN	18F682D285	HARN
18F681D93	HARN	18F682D156	HARN	18F682D219	HARN	18F682D286	HARN
18F681D94	HARN	18F682D158	HARN	18F682D22	HARN	18F682D289	HARN
18F681D95	HARN	18F682D158	HARN	18F682D220	HARN	18F682D29	HARN
18F681D96	HARN	18F682D159	HARN	18F682D221	HARN	18F682D290	HARN
18F681D97	HARN	18F682D159	HARN	18F682D222	HARN	18F682D291	HARN
18F681D98	HARN	18F682D16	HARN	18F682D222	HARN	18F682D292	HARN
18F681D99	HARN	18F682D160	HARN	18F682D223	HARN	18F682D293	HARN
18F682D1	HARN	18F682D161	HARN	18F682D224	HARN	18F682D294	HARN
18F682D10	HARN	18F682D162	HARN	18F682D225	HARN	18F682D296	HARN
18F682D100	HARN	18F682D163	HARN	18F682D226	HARN	18F682D297	HARN

! Industrial Size/Type = Call 1-800-480-1212 for price and delivery.

Zero Duplication or Recommended		Zero Duplication or Recommended		Zero Duplication or Recommended		Zero Duplication or Recommended	
Mfr. No.	Name	Mfr. No.	Name	Mfr. No.	Name	Mfr. No.	Name
18F682D298	HARN	18F682D386	HARN	18F682D70	HARN	18Z2555D36	HARN
18F682D299	HARN	18F682D387	HARN	18F682D72	HARN	18Z2783	HARN
18F682D3	HARN	18F682D388	HARN	18F682D73	HARN	18Z410	HARN
18F682D30	HARN	18F682D389	HARN	18F682D74	HARN	18Z715D1	HARN
18F682D301	HARN	18F682D390	HARN	18F682D75	HARN	18Z715D12	HARN
18F682D302	HARN	18F682D391	HARN	18F682D76	HARN	18Z715D13	HARN
18F682D303	HARN	18F682D392	HARN	18F682D77	HARN	18Z715D15	HARN
18F682D305	HARN	18F682D393	HARN	18F682D78	HARN	18Z715D23	FUNK
18F682D306	HARN	18F682D394	HARN	18F682D79	HARN	18Z715D6	HARN
18F682D307	HARN	18F682D395	HARN	18F682D80	HARN	18Z715D7	HARN
18F682D307	HARN	18F682D396	HARN	18F682D81	HARN	18Z715D8	HARN
18F682D308	HARN	18F682D397	HARN	18F682D82	HARN	18Z715D9	HARN
18F682D308	HARN	18F682D398	HARN	18F682D83	HARN	18Z728	HARN
18F682D309	HARN	18F682D399	HARN	18F682D84	HARN	18Z778	HARN
18F682D31	HARN	18F682D4	HARN	18F682D85	HARN	1900-044-009	WARNR
18F682D310	HARN	18F682D40	HARN	18F682D86	HARN	1900-044-009A	FORD
18F682D311	HARN	18F682D40	HARN	18F682D87	HARN	1900-044-009A	WARNR
18F682D313	HARN	18F682D400	HARN	18F682D88	HARN	1900-044-012	WARNR
18F682D314	HARN	18F682D401	HARN	18F682D89	HARN	1900-044-013	WARNR
18F682D315	HARN	18F682D402	HARN	18F682D9	HARN	19000	C-R
18F682D315	HARN	18F682D403	HARN	18F682D90	HARN	190000	SPG
18F682D316	HARN	18F682D404	HARN	18F682D92	HARN	190001	SPG
18F682D317	HARN	18F682D405	HARN	18F682D93	HARN	19003	ONAN
18F682D32	HARN	18F682D406	HARN	18F682D94	HARN	19004	C-R
18F682D321	HARN	18F682D407	HARN	18F682D95	HARN	1900420	GMC
18F682D322	HARN	18F682D408	HARN	18F682D96	HARN	1900862	GMC
18F682D323	FUNK	18F682D409	HARN	18F682D97	HARN	19009	C-R
18F682D323	FUNK	18F682D410	HARN	18F682D98	HARN	19010	C-R
18F682D323	HARN	18F682D411	HARN	18F682D99	HARN	19011	C-R
18F682D323	HARN	18F682D412	HARN	18F689D1	HARN	190119	BR-ST
18F682D325	HARN	18F682D413	HARN	18F689D10	HARN	19012	C-R
18F682D326	HARN	18F682D414	HARN	18F689D11	HARN	190127	BR-ST
18F682D327	HARN	18F682D415	HARN	18F689D4	HARN	19013	C-R
18F682D328	HARN	18F682D416	HARN	18F689D6	HARN	19014	SUPER
18F682D328	HARN	18F682D419	HARN	18F689D7	HARN	19020	C-R
18F682D329	HARN	18F682D42	HARN	18F689D8	HARN	190206	BR-ST
18F682D33	HARN	18F682D422	HARN	18F728	HARN	19021	AT-PL
18F682D330	HARN	18F682D43	HARN	18G20	OSHKO	19024172	EL-PA
18F682D332	HARN	18F682D434	HARN	18T12	ATHEY	190302	BR-ST
18F682D333	HARN	18F682D435	HARN	18UV-0653	WHITE	19032	C-R
18F682D334	HARN	18F682D436	HARN	18UVA0653	WHITE	190324	BR-ST
18F682D335	HARN	18F682D437	HARN	18X28X6GSC	TRSCM	19037	BR-ST
18F682D336	HARN	18F682D44	HARN	18X28X6TC	TRSCM	190371	BR-ST
18F682D337	HARN	18F682D45	HARN	18X30X7SC	TRSCM	190397	CUMMI
18F682D338	HARN	18F682D46	HARN	18X30X7TC	TRSCM	190398	CUMMI
18F682D339	HARN	18F682D47	HARN	18X32X7AN(35)	ISP	190434	JEFF
18F682D34	HARN	18F682D48	HARN	18X32X8SC	TRSCM	190458M1	MASSE
18F682D340	HARN	18F682D49	HARN	18X32X8TC	TRSCM	19046	BR-ST
18F682D341	HARN	18F682D5	HARN	18X35X7	FORSH	19046	OLIVE
18F682D343	HARN	18F682D50	HARN	18X35X7	SIMRT	190466M1	MASSE
18F682D345	HARN	18F682D51	HARN	18X35X7SC	TRSCM	190469	BR-ST
18F682D346	HARN	18F682D52	HARN	18X35X7TC	TRSCM	1905523	FMC
18F682D347	HARN	18F682D53	HARN	18X37X8SC	TRSCM	190596R91	IH
18F682D349	HARN	18F682D54	HARN	18X37X8TC	TRSCM	1906	TIMKE
18F682D35	HARN	18F682D55	HARN	18X38X7SC	TRSCM	19060	C-R
18F682D356	HARN	18F682D56	HARN	18X38X7TC	TRSCM	1906118	FMC
18F682D36	HARN	18F682D56	HARN	18X40X7SC	TRSCM	19062	AIRCO
18F682D363	HARN	18F682D57	HARN	18X40X7TC	TRSCM	19062LDS	JN-MN
18F682D364	HARN	18F682D58	HARN	18Z1202	HARN	1906526	GMC
18F682D37	HARN	18F682D59	HARN	18Z1202	HARN	1906526	GMC
18F682D37	HARN	18F682D6	HARN	18Z1583D1	HARN	19067A	HERCU
18F682D375	HARN	18F682D60	HARN	18Z1583D2	HARN	1907D5	WHITE
18F682D376	HARN	18F682D61	HARN	18Z1583D3	HARN	19084LDS	JN-MN
18F682D378	HARN	18F682D62	HARN	18Z1583D5	HARN	19084LDS	JN-MN
18F682D379	HARN	18F682D63	HARN	18Z1598D4	HARN	190850	JEFF
18F682D38	HARN	18F682D64	HARN	18Z1600D1	HARN	1908656	GMC
18F682D381	HARN	18F682D65	HARN	18Z1600D2	HARN	19090	C-R
18F682D382	HARN	18F682D66	HARN	18Z1601D1	HARN	19092	C-R
18F682D383	HARN	18F682D67	HARN	18Z1754D2	HARN	19094	C-R
18F682D384	HARN	18F682D68	HARN	18Z2112D2	HARN	1909498	GMC
18F682D384	HARN	18F682D69	HARN	18Z2250	FUNK	19095	C-R
18F682D385	HARN	18F682D7	HARN	18Z23	HARN	19095	C-R

! Industrial Size/Type * Minor Width Difference \$F-M Number Is Part Of A Kit = Call 1-800-480-1212 for price and delivery.

NUMERICAL

Zero Duplication or Recommended Industrial		Zero Duplication or Recommended Industrial		Zero Duplication or Recommended Industrial		Zero Duplication or Recommended Industrial	
Mfr. No.	Name	Mfr. No.	Name	Mfr. No.	Name	Mfr. No.	Name
19097	C-R	4904	19237	C-R	3173	193007XX	TIMKE 19X30X7
1909851	GMC	471466!	19237	C-R	473459!	19301	C-R 472144!
19099	OLIVE	473232	19238	C-R	5759=	19303TB	TRSCM 472394
1909957	GMC	450065	19239	C-R	473459	19305	C-R 5531
190X220X16SC	TRSCM	190X220X16	1923936	CHRY5	470898	193089	HYST 417362!
190X220X16TC	TRSCM	190X220X16	1923937	CHRY5	471341!	19309	C-R 472144!*
190X230X13	SIMRT	190X230X13	19240	C-R	473459*	19311	C-R 472144!*
190X230X16SC	TRSCM	190X230X16	19241	C-R	473459	1931105	CHRY5 9773
190X230X16TC	TRSCM	190X230X16	19242	C-R	473459	19313	C-R 9150S
191	C-R	5591	19243	C-R	473459*	19314	C-R 3896
19100	C-R	710148	19244	C-R	3173	19315TB	TRSCM 471391!
19102	EATON	713750	19245	C-R	473459	19318	C-R 470530!
1910379	GMC	6324S=	19246	C-R	473459	193183SL	TRSCM 473462
19109	FULLE	713750	19247	C-R	473459	193201	BENDI 240414
19112	MICH	471532	19248	C-R	473459	1932011018	WABCO 240009
1912235	GMC	474278!	19249	C-R	473459	1932011218	WABCO 343185
19125	MICH	473405	192527C1	IH	472179	1932011623	WABCO 240414
19125	UNIVE	473405	192528C1	IH	471984	193201218	WABCO 343185
19127LDS	JN-MN	416147	19253TB	TRSCM	471195!	193207A	HARWA 19X32X8
19137	MICH	471558	19255	C-R	710928	193207XX	TIMKE 19X32X7
19137	UNIVE	471558*	192572KMJ	TRSCM	9150S	193208XX	TIMKE 19X32X8
191383	US-EL	330385	1925822	CHRY5	456618	193210	HYST 417362!
19138LUP	JN-MN	455584*	1925823	CHRY5	6532S=	19322	C-R 473460
19146LDS	JN-MN	416268	19259	C-R	450655=	19324	C-R 710394
19160	WHITE	414045!	19259C	IH	473215!	19326	C-R 473460
1917999	GMC	480210!	19259D	IH	473215!	1932S	TIMKE 1932
1918047	GMC	471231!	19262	C-R	473241	19330	C-R 473460
191833	JEFF	417601	19263TB	TRSCM	473814	193303H1	HOUGH 416107!
191876	WAUKE	471413!	19264	C-R	473241	193303H1	HOUGH 455073
19188	DIVCO	5M293	19265SP	TRSCM	5121	19333	C-R 710081
191887	KRSE	412920!	19267	C-R	473241	19333	TMTR 470954
19190	DIVCO	470530!	192683SSB	TRSCM	473459	19334	LEECE 470712!
19195	EATON	410987!	192683TB	TRSCM	473459!	1933772	CHRY5 240735
192	C-R	2261	192683VTB	TRSCM	473459	1933789	CHRY5 415991!
19200	C-R	1936	19269	C-R	450279	1933789	CHRY5 415991
19207A	C-R	415960	1926D	GOODM	413246	1934676	CHRY5 40494S
19210	C-R	474269!	192706XX	TIMKE	19X27X6	1934786	CHRY5 474276!
19210	KINGN	471766!	19271	C-R	2043	19349	C-R 473460
19211	C-R	710058	1927131	GM	427	1935	TIMKE 1935
19212	C-R	474269	1927131	GM	427RR	19350	C-R 473460*
19214	C-R	6815	1927290	TAYLR	J1109	1935033	CHRY5 476574N
19215	C-R	470409	1927291	TAYLR	J1135=	193510XX	TIMKE 19X35X10
19215	C-R	50409	1927293	TAYLR	J1136	19353	C-R 472394
19217	C-R	471195!	1927295	CHRY5	417316!	19359	C-R 472394
19218	C-R	6815	19273	C-R	2043	1936	TIMKE 1936
19218A	C-R	470898	19274	C-R	451117N=	19360	C-R 472394
19219	C-R	6815	1927475	TAYLR	345035	19364	C-R 472394*
1921B	GOODM	413247!	1927550	TAYLR	472492!	1937	TIMKE 1937
19220	C-R	471195!	1927575	TAYLR	417316!	19376	C-R 472394*
19221	C-R	6815	1927590	TAYLR	417269!	193794	BENDI 470954!
19223	C-R	9150S	192765TB	TRSCM	2043	193796	HYST 415988
192238	HYST	200861	19277	C-R	8622	1938	TIMKE 1938
192239	HYST	JV933	1927C	GOODM	413247!	19380	C-R 473461!*
19224	C-R	472319	1927D	GOODM	413247!	1938104	GMC 471526!
192249	HYST	200854	1928	TIMKE	1928	19382	ONAN 471224!
19225	C-R	472319	19281	DIVCO	473203	1938206	CHRY5 7896S
192250	HYST	JV1215=	192815TCJ	TRSCM	8622	19383	C-R 472394
19226	C-R	472319	19283SB	TRSCM	472144	19386	C-R 473461!
19227	C-R	472319=	19284	OLIVE	473215!	19387	C-R 473241
1922774	CHRY5	410825	19285	C-R	472144!	19389	C-R 473461!
19229	C-R	472319	19286	C-R	472144!	1939	TIMKE 1939
1922A3	DIA	412119=	19288	C-R	472144!	19392	C-R 471391!
1922A3	WHITE	412119=	1928B	GOODM	416271!	19393	C-R 471391!
19230	C-R	472319	1928D	GOODM	472636!	19396	C-R 471391!
19231	C-R	473459	19291	C-R	472144!	1939798	GMC 450065
19232	C-R	473459	19295	C-R	472144!*	19399	C-R 471391!
19234	C-R	3173	19296	C-R	472144!*	194	C-R 5337
19234	EATON	415458!	19297	C-R	472144!*	1940	TIMKE 1940
19235	EATON	473464!	192J	OSHKO	470950!	19400	C-R 471391
19235	EATON	473464	192J	OSHKO	6241S	194002	AU-WS 471224!
19236	C-R	3173	1930	TMTR	473212!	194004	AU-WS 450593!
19236	C-R	473459!	19300	C-R	472144!	194006	AU-WS 471733
194008	AU-WS	472924!	194008	B-L-H	472924!	194010	AU-WS 470530!
194010	AU-WS	470530!	194010A	HARWA	19X40X10	194010XX	TIMKE 19X40X10
194012	AU-WS	473463	194012	AU-WS	473463	194018	AU-WS 415995!
194014	AU-WS	415995!	194016	AU-WS	471553!	194018	AU-WS 471554!
194016	AU-WS	471553!	19402	C-R	40526S	194020	AU-WS 476838!
194018	AU-WS	471554!	194022	AU-WS	471750!	194024	AU-WS 471354!
19402	C-R	40526S	194024	AU-WS	471354!	194026	AU-WS 451948
194020	AU-WS	476838!	194026	AU-WS	451948	194028	AU-WS 416738!
194022	AU-WS	471750!	194028	AU-WS	450096	194030	AU-WS 472409!
194024	AU-WS	471354!	194030	AU-WS	472409!	194032	AU-WS 473245!
194026	AU-WS	451948	194032	AU-WS	473245!	194034	AU-WS 472636!
194028	AU-WS	416738!	194034	AU-WS	472636!	194036	AU-WS 412920!
194030	AU-WS	450096	194036	AU-WS	412920!	194038	AU-WS 416288!
194032	AU-WS	472409!	194038	AU-WS	416288!	194040	AU-WS 415034!
194034	AU-WS	473245!	194040	AU-WS	415034!	194042	AU-WS 416891!
194036	AU-WS	472636!	194042	AU-WS	416891!	194044	AU-WS 416137
194038	AU-WS	412920!	194044	AU-WS	416137	194046	AU-WS 473214!
194038	AU-WS	416288!	194046	AU-WS	473214!	19405	C-R 473462*
194040	AU-WS	415034!	19405	C-R	473462*	19405	C-R 473462
194042	AU-WS	416891!	19405	C-R	473462	194050	AU-WS 470950!
194044	AU-WS	416137	194050	AU-WS	470950!	194050	AU-WS 6241S
194046	AU-WS	473214!	194050	AU-WS	6241S	194052	AU-WS 473228
19405	C-R	473462*	194052	AU-WS	473228	194054	AU-WS 473229
19405	C-R	473462	194054	AU-WS	473229	194056	AU-WS 473232
194050	AU-WS	470950!	194056	AU-WS	473232	194058	AU-WS 473235!
194050	AU-WS	6241S	194058	AU-WS	473235!	19406	C-R 473462
194052	AU-WS	473228	19406	C-R	473462	19406	C-R 473462*
194054	AU-WS	473229	19406	C-R	473462*	19406	C-R 473462
194056	AU-WS	473232	19406	C-R	473462	194060	AU-WS 472185!
194058	AU-WS	473235!	194060	AU-WS	472185!	194062	AU-WS 474265
19406	C-R	473462	194062	AU-WS	474265	194064	AU-WS 470334!
19406	C-R	473462*	194064	AU-WS	470334!	194066	AU-WS 473450
194060	AU-WS	472185!	194066	AU-WS	473450	194068	AU-WS 472144!
194062	AU-WS	474265	194068	AU-WS	472144!	19407	C-R 473462!
194064	AU-WS	470334!	19407	C-R	473462!	194070	AU-WS 473448
194066	AU-WS	473450	194070	AU-WS	473448	194072	AU-WS 473460
194068	AU-WS	472144!	194072	AU-WS	473460	194074	AU-WS 472394
19407	C-R	473462!	194074	AU-WS	472394	194076	AU-WS 473313
194070	AU-WS	473448	194076	AU-WS	473313	194078	AU-WS 470088
194072	AU-WS	473460	194078	AU-WS	470088	194080	AU-WS 473462
194074	AU-WS	472394	194080	AU-WS	473462	194082	AU-WS 412119!
194076	AU-WS	473313	194082	AU-WS	412119!	194084	AU-WS 411245!
194078	AU-WS	470088	194084	AU-WS	411245!	194086	AU-WS 415449!
194080	AU-WS	473462	194086	AU-WS	415449!	194088	AU-WS 415001!
194082	AU-WS	412119!	194088	AU-WS	415001!	194090	AU-WS 415458!
194084	AU-WS	411245!	194090	AU-WS	415458!	194092	AU-WS 417316!
194086	AU-WS	415449!	194092	AU-WS	417316!	194094	AU-WS 416921!
194088	AU-WS	415001!	194094	AU-WS	416921!	194096	AU-WS 417492
194090	AU-WS	415458!	194096	AU-WS	417492	194098	AU-WS 415991
194092	AU-WS	417316!	194098	AU-WS	415991	194098	AU-WS 455146!
194094	AU-WS	416921!	1941	TIMKE	1941	1941	TIMKE 1941
194096	AU-WS	417492	1941	TIMKE	1941	194100	AU-WS 416332!
194098	AU-WS	415991	194100	AU-WS	416332!	194102	AU-WS 415379
194098	AU-WS	455146!	194102	AU-WS	415379	194102	AU-WS 415379!
1941	TIMKE	1941	194102	AU-WS	415379!	194104	AU-WS 416339
194100	AU-WS	416332!	194104	AU-WS	416339	194104	AU-WS 455031!
194102	AU-WS	415379	194104	AU-WS	455031!	194106	AU-WS 415150!
194102	AU-WS	415379!	194106	AU-WS	415150!	194108	AU-WS 416888!
194104	AU-WS	416339	194108	AU-WS	416888!	194110	AU-WS 416892!
194104	AU-WS	455031!	194110	AU-WS	416892!	194112	AU-WS 417538
194106	AU-WS	415150!	194112	AU-WS	417538	194114	AU-WS 417269!
194108	AU-WS	416888!	194114	AU-WS	417269!	194116	AU-WS 473227
194110	AU-WS	416892!	194116	AU-WS	473227	194118	B-L-H 455566
194112	AU-WS	417538	194118	B-L-H	455566	194118	B-L-H 455566
194114	AU-WS	417269!	194120	AU-WS	6936S	194120	AU-WS 6936S

! Industrial Size/Type * Minor Width Difference = Call 1-800-480-1212 for price

Zero Duplication or Recommended		Zero Duplication or Recommended		Zero Duplication or Recommended		Zero Duplication or Recommended	
Mfr. No.	Name	Industrial	Mfr. No.	Name	Industrial	Mfr. No.	Name
194124	AU-WS	417488!	1942303	CHRY	331228H	194338	AU-WS
194126	AU-WS	415036	194232	AU-WS	411394!	194342	AU-WS
194126	B-L-H	415036	194234	AU-WS	417349	194354	AU-WS
194126	CLARK	415036	194236	AU-WS	450313	194358	AU-WS
194128	AU-WS	417537	194238	AU-WS	473243	194362	AU-WS
194128	B-L-H	417537	194240	AU-WS	473473	194366	AU-WS
194130	AU-WS	417551	1942401	CHRY	474260	194370	AU-WS
194134	AU-WS	473467!	194242	AU-WS	50191	194372	AU-WS
194136	AU-WS	416294!	194246	AU-WS	473236!	194374	AU-WS
194138	AU-WS	472070	194248	AU-WS	450133	194376	AU-WS
194140	AU-WS	470898!	194250	AU-WS	413247!	19438	C-R
194140	B-L-H	470898!	194252	AU-WS	470605!	194380	AU-WS
194142	AU-WS	418029!	194254	AU-WS	327303!	194382	AU-WS
194142	B-L-H	418029!	194256	AU-WS	415991	194382	AU-WS
194144	AU-WS	417621!	194256	AU-WS	455146!	194384	AU-WS
194146	AU-WS	415379	194258	AU-WS	415303!	194386	AU-WS
194146	AU-WS	415379!	194260	AU-WS	417474	194388	AU-WS
194148	AU-WS	473016!	194262	AU-WS	471504!	194390	AU-WS
194150	AU-WS	473215!	194262	B-L-H	471504!	194392	AU-WS
194152	AU-WS	470059	194262D	GARLK	5121	194393H1	IH
194152	AU-WS	470380!	194264	AU-WS	416664!	1944	NATL
194156	AU-WS	482253	194266	AU-WS	415060	194402	AU-WS
194158	AU-WS	473234	194266	AU-WS	455060	194408	AU-WS
194160	AU-WS	470334!	194268	AU-WS	416153!	194411	AU-WS
194160	AU-WS	50289	194270	AU-WS	415938	194412	AU-WS
194162	AU-WS	410694!	194270	B-L-H	415938	194413	AU-WS
194164	AU-WS	450104	194270	CLARK	415938	194414	AU-WS
194166	AU-WS	416444	194271MI	MASSE	6668S	194414	AU-WS
194170	AU-WS	412473!	194272	AU-WS	415072	194415	AU-WS
194170	B-L-H	412473!	194274	AU-WS	471689!	194416	AU-WS
194172	AU-WS	417210!	194276	AU-WS	415294!	194417	AU-WS
194174	AU-WS	417205!	194278	AU-WS	473225!	194418	AU-WS
194176	AU-WS	416107!	19428	C-R	710281	194419	AU-WS
194176	AU-WS	455073	194280	AU-WS	417254	194420	AU-WS
194178	AU-WS	415138!	194282	AU-WS	473238	194421	AU-WS
194180	AU-WS	40337S	194282UB	TRSCM	200371	194422	AU-WS
194182	AU-WS	450033	194284	AU-WS	415483!	194423	AU-WS
194184	AU-WS	470712!	194286	AU-WS	417172	194423H1	HOUGH
194186	AU-WS	411376!	194288	AU-WS	471270!	194425	AU-WS
194188	AU-WS	471271!	194290	AU-WS	456105	194425	AU-WS
19419	C-R	40094S	194292	AU-WS	42352S	194426	AU-WS
194190	AU-WS	417171!	194292H1	IH	415995!	194427	AU-WS
194192	AU-WS	417181!	194294	AU-WS	415035	194428	AU-WS
194194	AU-WS	40067S=	194294	AU-WS	415035!	194429	AU-WS
194196	AU-WS	45187S	194296	AU-WS	417351!	194430	AU-WS
1941963	EL-WH	350364	194298	AU-WS	417546!	194431	AU-WS
194200	AU-WS	472572!	194298	B-L-H	417546!	194432	AU-WS
194202	AU-WS	450089	1943	TIMKE	1943	194435	AU-WS
194202	B-L-H	450089	194300	AU-WS	417159	194436	AU-WS
1942020	CHRY	331227H	194302	AU-WS	415302	19445	C-R
194204	AU-WS	416404!	194304	AU-WS	472016!	19447	C-R
194206	AU-WS	417344!	194304	CLARK	472016!	19449	C-R
194206	B-L-H	417344!	194306	AU-WS	473244	194494MI	MASSE
194208	AU-WS	417355!	194306	B-L-H	473244	194495	US-EL
194210	AU-WS	471424!	194308	AU-WS	40555	19450	C-R
194212	AU-WS	472439	194308	AU-WS	40555S!	19455	C-R
194214	AU-WS	473459	194310	AU-WS	55367=	1946	NATL
194216	AU-WS	415645!	194312	AU-WS	450269	19466	C-R
194216	AU-WS	455104	194314	AU-WS	413469!	1947	NATL
194218	AU-WS	472492!	194316	AU-WS	417487	1947	NATL
19422	C-R	473462	194318	AU-WS	410825	194707XX	TIMKE
19422	C-R	473462*	194320	AU-WS	417538	1947581	CHRY
194220	AU-WS	470354	194322	AU-WS	472164!	1948	TIMKE
194222	AU-WS	50528	194324	AU-WS	473467!	1949	TIMKE
194224	AU-WS	471267!	194326	AU-WS	455290	1949350	CHRY
194226	AU-WS	472258!	194326	B-L-H	455290	194993	DOMGA
194228	AU-WS	450307	194326	CLARK	455290	194993	DOMGA
19423	C-R	473462*	194328	AU-WS	472157!	194993	DOMIN
19423	C-R	473462	194328	AU-WS	472157	194993	DOMIN
194230	AU-WS	471192	194330	AU-WS	450143	1949933	CHRY
194230	B-L-H	471192	194332	AU-WS	471271!	1949933	CHRY
194230	CLARK	471192	194334	AU-WS	471689!	194T5	WHITE
194338	AU-WS	416956	194338	AU-WS	6590S	195	BUSHH
194342	AU-WS	55301S	194342	AU-WS	6590S	1950	TIMKE
194354	AU-WS	331107N	194354	AU-WS	55301S	19500	C-R
194358	AU-WS	417487	194358	AU-WS	331107N	195003A	OLIVE
194362	AU-WS	450446	194362	AU-WS	476470	195019M1	MASSE
194366	AU-WS	418028	194366	AU-WS	455406!	195020M1	MASSE
194370	AU-WS	455178!	194370	AU-WS	455584	195020M1	MASSE
194372	AU-WS	471785!	194372	AU-WS	410987!	195021M1	MASSE
194374	AU-WS	470774!	194374	AU-WS	480210!	195022M1	MASSE
194376	AU-WS	203025	194376	AU-WS	470530!	195051A	OLIVE
19438	C-R	50975=	19438	C-R	473461	1950540	C-R
194380	AU-WS	1951	194380	AU-WS	470625!	1951	TIMKE
194382	AU-WS	200371	194382	AU-WS	415027	19510	C-R
194382	AU-WS	1952	194382	AU-WS	415027!	1952	TIMKE
194384	AU-WS	455079!	194384	AU-WS	417316!	195211M1	MASSE
194386	AU-WS	415150!	194386	AU-WS	415725!	195218M1	MASSE
194388	AU-WS	413247!	194388	AU-WS	7208S	195226M1	MASSE
194390	AU-WS	473215!	194390	AU-WS	470625!	195245M1	MASSE
194392	AU-WS	455008	194392	AU-WS	416476!	195255M1	MASSE
194393H1	IH	6668S	194393H1	IH	416888	195271M1	MASSE
1944	NATL	494117	1944	NATL	494117	195287M1	MASSE
194402	AU-WS	471224!	194402	AU-WS	417563	195291M1	MASSE
194408	AU-WS	1953	194408	AU-WS	476470	1953	WMG
194411	AU-WS	240735	194411	AU-WS	417621!	195321M1	MASSE
194412	AU-WS	473238	194412	AU-WS	415442!	19534	EATON
194413	AU-WS	410737!	194413	AU-WS	415074	19535	EATON
194414	AU-WS	411253!	194414	AU-WS	415146!	19536	EATON
194414	AU-WS	46997S	194414	AU-WS	415991	195367M1	MASSE
194415	AU-WS	416654!	194415	AU-WS	415138!	19537	EATON
194416	AU-WS	1953	194416	AU-WS	415035!	1953S	TIMKE
194417	AU-WS	224820	194417	AU-WS	471271!	1954	NATL
194418	AU-WS	472354!	194418	AU-WS	470625!	195452M1	MASSE
194419	AU-WS	50528	194419	AU-WS	472311!	195458M1	MASSE
194420	AU-WS	473010	194420	AU-WS	415437	195459M1	MASSE
194421	AU-WS	472492!	194421	AU-WS	415027	195474M1	MASSE
194422	AU-WS	1955	194422	AU-WS	472185!	1955	TIMKE
194423	AU-WS	472560N!	194423	AU-WS	471466!	195501M1	MASSE
194423H1	HOUGH	712140	194423H1	HOUGH	416404!	195501M1	PERKI
194425	AU-WS	470334!	194425	AU-WS	415899N	195506M1	MASSE
194425	AU-WS	450604	194425	AU-WS	416624	195523M1	MASSE
194426	AU-WS	470954!	194426	AU-WS	415085!	195536	CLARK
194427	AU-WS	472924!	194427	AU-WS	240733	195555M1	MASSE
194428	AU-WS	410987=	194428	AU-WS	240735	195557M1	MASSE
194429	AU-WS	410987=	194429	AU-WS	417316!	195557M1	TRU-P
194430	AU-WS	415984!	194430	AU-WS	471138!	195677M1	MASSE
194431	AU-WS	470898	194431	AU-WS	417343!	195678M1	MASSE
194432	AU-WS	470898	194432	AU-WS	417344!	195678M2	MASSE
194435	AU-WS	1956	194435	AU-WS	473237!	1956S	TIMKE
194436	AU-WS	473461!	194436	AU-WS	470954!	195757M1	MASSE
19445	C-R	473236!	19445	C-R	45096S	195758M1	MASSE
19447	C-R	473214	19447	C-R	45653S	195759M1	MASSE
19449	C-R	472258	19449	C-R	417474	195760M1	MASSE
194494MI	MASSE	473423	194494MI	MASSE	JV1236=	195761M1	MASSE
194495	US-EL	471829	194495	US-EL	472397!	195763M1	MASSE
19450	C-R	470059	19450	C-R	417474*	19577A	C-R
19455	C-R	470380	19455	C-R	6074	19577A	C-R
1946	NATL	415137!	1946	NATL	224252	195786H1	IH
19466	C-R	418028	19466	C-R	456057	195786H1	IH
1947	NATL	1958	1947	NATL	228020		

Zero Duplication or Recommended Industrial		Zero Duplication or Recommended Industrial		Zero Duplication or Recommended Industrial		Zero Duplication or Recommended Industrial		
Mfr. No.	Name	Mfr. No.	Name	Mfr. No.	Name	Mfr. No.	Name	
196011	SPERY	471272!	19644 C-R	5695	19745 C-R	352541	19817D IH	471554!
19602	C-R	225005	19645 C-R	225035	19746 C-R	40410S	19818 C-R	471750
19602	C-R	50X62X7!	19645 C-R	50X72X8!*	19747 C-R	4148	19818K SUL	471750!
19603	C-R	225005	196452C1 IH	412943	19748 C-R	40401	19818M1 C-R	471750
196035M1	MASSE	471760	19646 C-R	225035*	19750 C-R	352541	19819 C-R	470050*
19604	C-R	710098	19646 C-R	50X72X8!	19750 FMC	470059	19819 FAIRB	470050
19605	C-R	225010	196465H1 HOUGH	415023	19750 FMC	470380!	1982 NATL	3771
19605	C-R	50X65X8!	196465H1 IH	415023	19753 C-R	4739	1982 WMG	3771
19606	C-R	1209	19649 C-R	225035	19753 C-R	8871	19820 C-R	5865
19606	C-R	50X65X8V!	19649 C-R	50X72X8!*	19754 C-R	40401	19821 C-R	331107N
196069	HYST	411245!	196495 ALLCH	416339	19756 C-R	50514	19822 C-R	472492!
19607	C-R	473814	196496 ALLCH	415867	19757 C-R	9015S*	19823A C-R	470606
196071	HYST	418028	1965 TIMKE	1965	19758 C-R	471424!	19824 C-R	472492!
196072	HYST	J1122	19652 C-R	225040	19759 C-R	471424!	19824A C-R	415483!
196073	HYST	J1114=	19653 C-R	41081S=	1975S TIMKE	1975	19825 C-R	472492!
19608	C-R	1948	19654 C-R	50X75X10!	1976 NATL	223542	19827 C-R	472492!
19608	C-R	50X68X8!	19654 C-R	50X75X12!*	1976 NATL	35X55X11!	19829 C-R	472492!
19609	C-R	7751H	19654 C-R	50X75X8!	19760 C-R	471424!	198291 HYST	417349!
1961	NATL	222242	19655 C-R	50X75X7	19761 C-R	9015S	1983 NATL	225230
19610	C-R	7751H	19656 C-R	710137	19761D IH	415458	1983 NATL	52X72X8!
1961007	LILIS	470380!	1966 TIMKE	1966	19762 C-R	471424	19830 C-R	8804S=
19611	C-R	225020	19660 C-R	40370S	19763 C-R	4148	19831 C-R	472492!
19611	C-R	50X68X8V!	19661 C-R	50X78X8	19766 C-R	8871	19832 C-R	472492!
19613	C-R	710194	19662 C-R	225050	19767 C-R	40410S	19834 C-R	40389S
19614	C-R	50X68X8V!	19662 C-R	50X80X8!	19768 C-R	9406S	19835 C-R	472492!
19615	C-R	450472!	19663 C-R	225050*	19770 C-R	292594	19836 C-R	472492!
19616	C-R	1948	19663 C-R	50X80X8!*	197705A OLIVE	450400	19837 C-R	472492!
19617	C-R	450655=	19664 C-R	50X80X8	19773 C-R	3794	19838 C-R	472492!
19618	C-R	1948*	19665 C-R	225050	19775 C-R	471870!	19839 C-R	3404
19618	C-R	50X68X8!*	19665 C-R	50X80X8!	197752 SPERY	417349	19839 C-R	472492
19619	C-R	1948*	19666 C-R	50X80X8V	19776 C-R	4148	1984 TIMKE	1984
19619	C-R	50X68X8!*	19668 C-R	225082	19777 C-R	471424!	19844 C-R	200881
1962	TIMKE	1962	19670 C-R	50528	19778 C-R	471870!	198477 ALLCH	416282
19620	C-R	450911N!	19671 C-R	50528	19779 C-R	471870!	19848 C-R	472653!
19621	C-R	710194	19672 C-R	710112	1978 WMG	224270	19851 C-R	493524
19622	C-R	225005	19674 C-R	50X85X10	19780 C-R	471870!	19852 C-R	331301N
19623	C-R	710529	19675 C-R	50X85X8	19781 C-R	40360S!	19853 C-R	472924!*
19624	C-R	1974	19677 C-R	225082	19783 C-R	40360S!	19854 C-R	472924!*
19626	C-R	1974	19679 C-R	50X88X8	19784 C-R	4739	19855 C-R	472924!*
19627	C-R	1974	1968 NATL	1174	19785 C-R	474272!	19856 C-R	472924!*
196272SA	TRSCM	450911N	19680 C-R	450111	19785 C-R	474272*	19857 C-R	472924!*
19628	C-R	1974	19682 GEM	240319	19786 C-R	474272*	198578 ALLCH	415234!
19628	C-R	710357	19684 C-R	50X90X8	19786 C-R	474272	19857D IH	450048
196286	SPERY	473313!	19686 C-R	50X90X10V	19787 C-R	471870!	1985S TIMKE	1985
196297	ALLCH	256616=	19687 C-R	710117	19788 C-R	43073S	19860 C-R	472924!*
196298	ALLCH	415142	19689 C-R	710071	19789 C-R	474272	19864 C-R	472924*
1962984	ALLCH	415142	1969 TIMKE	1969	1979 TIMKE	1979	19868 C-R	472924!*
1963	TIMKE	1963	19690 C-R	450497=	19793 C-R	710365	1986S TIMKE	1986
19630	C-R	1960	196927 SPERY	415867	19797 LEECE	470712!	19872 C-R	472924!
19630	C-R	50X70X8!	19698 C-R	476512	197974H1 HOUGH	415458!	19873 C-R	472924!
19630	C-R	50X70X9!*	1970 SPG	30X42X7	1979784 GM	421	198742H1 IH	415447
19631	C-R	50X70X10V	1970 TIMKE	1970	19799 C-R	3404	19876 C-R	472924
19632	C-R	50X70X8!*	19702D IH	50075=	198 C-R	5068	1987S TIMKE	1987
19632	C-R	50X70X9!	19707D IH	471570!	1980 NATL	3771	1988 NATL	227410
19632	C-R	710173	19709 C-R	1941	1980 TIMKE	1980	19880 C-R	200339
19634	C-R	50X70X10V!*	1971 TIMKE	1971	19803 C-R	5113	19880 C-R	472924!
19635	C-R	710173	197116 C-R	474276	19804 C-R	5113	19881 CLAYN	416404!
19636	C-R	50X72X8V!	19712 C-R	450342	19804 C-R	7721	19882 C-R	8998
19638	C-R	225030	19714 C-R	471747!	19805 C-R	474272	19884 C-R	320259
19638	C-R	50X72X8!	19714M1 C-R	471747!	19806 C-R	472492!	19886 C-R	472924!
1963807C1	CASE	471264!	19715 C-R	473428	19807 C-R	331107N	19887 C-R	320259
1963843C1	CASE	472705!	19716 C-R	473426	19808 C-R	472572!	19887 C-R	472924!
19639	C-R	225035	19718 C-R	471750	1981 VIC	222430	19888 C-R	48X88X8
1964	TIMKE	1964	19718M1 C-R	471750	19810 C-R	472492!	1989 TIMKE	1989
19640	C-R	225030	19719 C-R	470050	198116 ALLCH	474276!	19890 C-R	472924!
19640	C-R	225035*	19720 C-R	200885	198116 C-R	474276	198908 ALLCH	415725!
19640	C-R	50X72X8!	1973 TIMKE	1973	19812 C-R	450342	19891 C-R	472924!
19641	C-R	225035	19730 C-R	4189H	19812D IH	471554!	198921 US-EL	471138!
19641	C-R	225040*	1973110 OSHKO	370003A	19814 C-R	471747!	19893 C-R	8998
19641	C-R	50X72X8V!	19739 C-R	452261H	19814M1 C-R	471747!	19895 C-R	472924!
19643	C-R	450474*	1974 TIMKE	1974	19815 C-R	473428*	19896 C-R	472924!
19643	C-R	5695	19743 C-R	4148	19816 C-R	473426*	19898 C-R	472924

! Industrial Size/Type * Minor Width Difference = Call 1-800-480-1212 for price and delivery.

Zero Duplication or Recommended		Zero Duplication or Recommended		Zero Duplication or Recommended		Zero Duplication or Recommended	
Mfr. No.	Name	Mfr. No.	Name	Mfr. No.	Name	Mfr. No.	Name
19898 C-R	472924 =	19970 WHITE	50560	19X32X8TC TRSCM	19X32X8	1BG9424 WHITE	417316!
19899 C-R	472924!	199717R91 IH	472299	19X35X10 NATL	45031S	1BH9425 WHITE	415960
1989977 GMC	425RR	19975 C-R	470530!	19X35X10SC TRSCM	19X35X10!	1BJ9424 WHITE	415960!
198W118M1 C-R	471750	19976 C-R	470530!	19X35X10TC TRSCM	19X35X10!	1BJ9425 WHITE	417344!
198W14 C-R	471747!	19977 C-R	470530*	19X40X10 SIMRT	19X40X10	1BK9424 WHITE	416404!
198W14-M1 C-R	471747!	19977 C-R	470530!	19X40X10SC TRSCM	19X40X10	1BK9425 WHITE	417344!
198W18 C-R	471750	19978 C-R	40085S	19X40X10TC TRSCM	19X40X10	1BN9424 WHITE	417487
198W18M1 C-R	471750	19979 C-R	470530 =	1A122 NOVO	471466!	1BR9424 WHITE	417621!
199 C-R	5092	1998 NATL	222510	1A3253 LEYLD	472258!	1BR9425 WHITE	417171!
1990 TIMKE	1990	19980 C-R	470530!	1A3472 FED	470334!	1BS9424 SPICE	417171!
19900 C-R	472924*	19980D IH	412861	1A3473 FED	471750!	1BS9424 WHITE	417171!
19900 C-R	472924 =	19981 C-R	470530	1A3480 FED	473215!	1BV9424 WHITE	417181!
19901 C-R	472924!	19982 C-R	470530*	1A3737 FED	470530!	1BW9424 WHITE	415023
19902 C-R	472924!	19983 C-R	470530	1A4194 FED	45637S	1C108 NOVO	450593!
19904 C-R	472924!	199835 FWD	HU009A	1A4256 FED	481568!	1CA60536 FWD	473229
199044H1 HOUGH	476470!	199836 FWD	730003	1A4664 FED	473179	1CAA9424 WHITE	415302
199044H1 HOUGH	476470	19985 C-R	470530	1A5543 FED	473367!	1CD9424 WHITE	417501
19905 C-R	710263	19986 C-R	470530	1A5543 FED	473367	1CG9424 WHITE	416339
19906 C-R	472924!*	19988 C-R	470530	1A6032 FED	330385	1CG9424 WHITE	455031!
199072 JEFF	471192	199881 FWD	HU024A	1A6054 FED	417344!	1CR9424 WHITE	412943
1991 C-R	471760*	199882 FWD	730004	1A7214 FED	471689!	1CS1918 FWD	471466!
1991 NATL	1953	199884 FWD	HU028A	1A7222 FED	473228	1CS2049 FWD	470334!
1991 NATL	42X60X7!	199885 FWD	730001	1A7372 FED	471192	1CU9424 WHITE	411245!
199112 C-R	472258*	199899 FWD	730016	1A78062 FWD	473227	1CX9424 WHITE	415138!
199114 JEFF	417357	1999 TIMKE	1999	1A78062 WAUKE	473227	1D1443A OLIVE	416292
199114 JEFF	455192!	19990 C-R	40301S	1AA9424 WHITE	473228	1D3561 LEYLD	472164!
199123R91 IH	456618	199902 FWD	HU066A	1AD9424 WHITE	473367	1D4321 CATER	412943
199124R91 IH	415351!	19991 C-R	472397	1AD9424 WHITE	473367!	1D4324 CATER	412943
19913 C-R	450159*	19992 C-R	472397!	1AG9424 SPICE	472179	1D4326 CATER	415988
19914 C-R	472082*	19993 C-R	472397!	1AG9424 WHITE	472179	1D4327 CATER	416921!
19915 C-R	472082	19994 C-R	472397	1AK9424 WHITE	472572!	1D4901 CATER	412119!
19917 C-R	472082	19998 C-R	472397!	1AN9424 WHITE	472924!	1D5567 CATER	471554!
19918 C-R	471766!	19999 C-R	472397!*	1AR9424 WHITE	472015!	1D5568 CATER	471750!
19918M1 C-R	471766!	19DKB-0214 WHITE	415960	1AU9424 WHITE	411253!	1D5973 CATER	450065
1992 TIMKE	1992	19DT633 OSHKO	415379	1AV9424 WHITE	472636!	1DA9424 WHITE	416167!
19922 C-R	472082	19FK0431 WHITE	415449!	1AX9425 WHITE	416271!	1DD9424 WHITE	471765!
19923 C-R	472082 =	19QJ-122 MACK	HU036A	1B1057 CATER	411253!	1DE9424 WHITE	471354!
19928 C-R	470645*	19QJ-123 MACK	HU110A	1B1064 CATER	415960!	1DG9424 WHITE	472144!
199294H1 HOUGH	473010!	19QJ-238 MACK	HU036A	1B1065 CATER	415023	1DK9424 WHITE	455336
1992M BRAD	471553!	19QJ-245 MACK	HU031A	1B1069 CATER	450593!	1DN9424 WHITE	473225!
1993 TIMKE	1993	19QJA-29302 MACK	HU024A	1B1072 CATER	473419	1E0011 CATER	416113V
199303 US-EL	471255!	19QJA-29304 MACK	HU009A	1B1443 OLIVE	455434	1E1039 CATER	416113V
19932 C-R	470530!	19QJA-29305 MACK	HU009A	1B1477 FED	412119!	1E104 DIA	46997S
19933 KINGN	473205	19QJA-29306 MACK	HU036A	1B1785 CATER	415034!	1E105 DIA	472144!
199334 WAUKE	416865!	19QJA-29307 MACK	HU009A	1B2245 CATER	470334!	1E1087 OLIVE	473214!
19935 C-R	205044	19QJA-29308 MACK	HU009A	1B2256 CATER	413469!	1E1110 OLIVE	410987!
19938 C-R	205044	19QJA-29309 MACK	HU024A	1B2257 CATER	473444	1E1443 OLIVE	471138!
19939 C-R	4598	19QJA-310 MACK	HU036A	1B2257 CATER	473444!	1E1569 OLIVE	412871!
1994 TIMKE	1994	19QJA-310-P1 MACK	HU036A	1B2258 CATER	473367!	1E1582 OLIVE	470565!
19940 C-R	205044*	19QJA-311 MACK	HU031A	1B2258 CATER	473367	1E1588 OLIVE	451817
199417 B-L-H	471271!	19QJA-312 MACK	HU149A	1B2346 CATER	470059	1E1590 OLIVE	471267!
19942 C-R	470530!	19QJA-313 MACK	HU009A	1B2346 CATER	470380!	1E174 DIA	472179
19944 C-R	470530!	19QJA-314 MACK	HU058A	1B2418 CATER	472924!	1E2006 CATER	416113V
199451 WAUKE	J1137 =	19QJA-315 MACK	HU057A	1B2418 WESTR	472924!	1E267 ALLCH	455008
199451A WAUKE	J1107	19QJA-316 MACK	HU012A	1B2477 CATER	416125!	1E3377 OLIVE	472492!
199451C WAUKE	J1115	19QJA-317 MACK	HU024A	1B2729 CATER	470530!	1E3512 OLIVE	240009
19948 C-R	470530!	19QJA-318 MACK	HU009A	1B287337316 GACO	239129	1E575 OLIVE	240731
19949 C-R	470530!	19QJA-319 MACK	HU009A	1B4868 CATER	415025	1E620 OLIVE	472299
19951 C-R	470530!	19QJA-320 MACK	HU149A	1B5990 CATER	470088	1E693 OLIVE	473239
19953 C-R	470530!	19QJA-325 MACK	HU036A	1B5997 CATER	471354!	1E930 OLIVE	471224!
19957 C-R	470530!	19QJA-39301 MACK	HU036A	1B6029 CATER	474265	1EX14398 ALLCH	416888
19960 C-R	470530!	19SKB-0214 WHITE	472164!	1B6256 LEYLD	471224!	1EX22579 ALLCH	417191
19965 C-R	40085S	19SKB-024 WHITE	472164!	1B6574 FED	470354	1EX22580 ALLCH	J1123
199653R91 IH	471195!	19UG-0214 WHITE	473227!	1B7308 FED	471466!	1EX24199 ALLCH	471760
19968 C-R	470530!	19UG-024 WHITE	473227!	1B7493 NAPCO	412119!	1EX26327 ALLCH	472492!
19969 C-R	470530!	19UG-0431 WHITE	411253!	1B8212 CATER	50026	1F0636 CATER	416107!
19969 C-R	470530*	19X27X6SC TRSCM	19X27X6	1B936 CATER	415001!	1F0636 CATER	455073
1997 NATL	1012	19X27X6TC TRSCM	19X27X6	1B9919 CATER	471466!	1F100175 UNIVE	471689!
1997 NATL	1012N	19X30X7ASN ISP	19X30X7	1B9919 WESTR	471549!	1F11113 MURRA	410987!
1997 NATL	45X62X8!	19X32X7 SIMRT	19X32X8	1BA9424 WHITE	415449!	1F5477 CATER	471442!
19970 C-R	470530!	19X32X7AN(35) ISP	19X32X7	1BA9425 WHITE	415960	1F5478 CATER	471255!
19970 C-R	470530*	19X32X8SC TRSCM	19X32X8	1BB9425 WHITE	415449!	1F5479 CATER	471554!

! Industrial Size/Type * Minor Width Difference = Call 1-800-480-1212 for price and delivery.

NUMERICAL

Zero Duplication or Recommended		Zero Duplication or Recommended		Zero Duplication or Recommended		Zero Duplication or Recommended					
Mfr. No.	Name	Mfr. No.	Name	Mfr. No.	Name	Mfr. No.	Name				
1F5480	CATER	471570!	1L7560	CATER	415725=	1X1990	FMC	417357	1X3686	FMC	416892!
1F5482	CATER	476838!	1L9349	CATER	416229	1X2066	FMC	415138!	1X3693	FMC	416865!
1F5482	CATER	476838*	1M1110	OLIVE	415458!	1X2098	FMC	417171!	1X3810	FMC	455191
1F5483	CATER	472287!	1M1460	HU-WR	471504!	1X2312	FMC	455178=	1X3820	FMC	416476!
1F5484	CATER	474281!	1M3003	CATER	417350=	1X2312	LK-BT	455178=	1X3966	FMC	J1131
1F5485	CATER	415458!	1M7657	FORD	410059	1X2354	FMC	417298	1X3967	FMC	415074
1F5514	CATER	40059S	1M7657	FORD	470380!	1X2354	LK-BT	417298	1X4027	FMC	455396
1F5692	CATER	472705!	1M77334	FORD	473459	1X2412	FMC	415389	1X4280	FMC	415128
1F636	CATER	416107!	1N9349	CATER	471785=	1X2446	FMC	415035	1X4395	FMC	J1127
1F636	CATER	455073	1N9424	WHITE	450593!	1X2446	FMC	415035!	1X4396	FMC	415697!
1F7891	CATER	471649!	1P4879	CATER	710009	1X2446	LK-BT	415035	1X4396	FMC	455547
1F880	CATER	416865!	1P5387	CATER	455079!	1X2446	LK-BT	415035!	1X4411	FMC	417546!
1G9424	WHITE	471554!	1P7657	FORD	7692S	1X25215	IH	416865!	1X4427	FMC	416154!
1H1036	CATER	341022	1P7657A	FORD	410059	1X2527	FMC	481537	1X4429	FMC	J1126
1H1110	OLIVE	472636!	1P7657A	FORD	470380!	1X2527	LK-BT	481537	1X4461	FMC	416339
1H2265	CATER	471504!	1P7657A3	FORD	410059	1X2570	FMC	412920!	1X4556	FMC	J1140
1H2439	CATER	415995!	1P7657A3	FORD	470380!	1X2570	LK-BT	412920!	1X4889	FMC	417600
1H275	OLIVE	50199S!	1P77265R	FORD	408	1X2571	LK-BT	473214	1X4W7H426AA	FORD	100731V
1H275	OLIVE	6863S!	1P77288A	FORD	240816	1X2578	FMC	472016	1X5446	FMC	415449!
1H3339	LEYLD	1097N	1P77288B	FORD	7929S	1X2578	LK-BT	472016	1X5448	FMC	416892!
1H4439	CATER	240356	1P77837	FORD	473459	1X2666	FMC	417262!	1X5475X	FMC	416865!
1H4663	CATER	470565!	1P77837A	FORD	473459	1X2666	LK-BT	417262!	1X5589	FMC	417551
1H5959	CATER	473016!	1P77837B	FORD	473459	1X2671	FMC	417357	1X5603	FMC	481537
1H5959	WESTR	473016!	1P77837B3	FORD	473459	1X2671	FMC	455192!	1X5695	FMC	415551
1H790	CATER	415035	1P77837B4	FORD	473459	1X2671	LK-BT	417357	1X5696	FMC	JX1190
1H8371	CATER	471192	1PS396	C-P	473225!	1X2671	LK-BT	455192!	1X5703	FMC	416229
1J2150	CATER	415991	1QFL330	MACK	370019A	1X2738	LK-BT	415995!	1X5703P	FMC	416229
1J2150	CATER	455146!	1R9424	WHITE	476838!	1X2833	LK-BT	415187	1X5718X	FMC	417571
1J2258	CATER	416666	1S1115	CATER	473235!	1X2834	LK-BT	415066	1X5785	FMC	470898
1J2381	CATER	471281!	1S1164	CATER	3893V!	1X2943	LK-BT	417551	1X5832P	FMC	417364
1J2382	CATER	470712!	1S1164	CATER	415379!	1X2944	FMC	J1138	1X5872P	FMC	415371
1J3540	CATER	710010	1S1369	CATER	456462	1X2944	LK-BT	J1138	1X5924P	FMC	415150!
1J4034	CATER	415027!	1S2234	CATER	456464	1X2956	FMC	J1136	1X6876	FMC	472636 *=
1J4220	CATER	415295	1S5347	CATER	2792	1X2956	LK-BT	J1136	1X6878	FMC	417191 *=
1J4240	CATER	415295	1S6543	CATER	410825	1X2967	FMC	415074	1X6880	FMC	471271 *
1J4587	CATER	471554	1S79	CATER	415031N=	1X3193	FMC	J1128	1X9424	WHITE	471192
1J7063	CATER	415138!	1S8814	CATER	415899N	1X3193	LK-BT	J1128	1Z6407	CATER	447060V=
1J8388	CATER	472016	1S8814	CATER	416624	1X3230	FMC	417255	2-68630058	OWS	340817
1JG7	KEN	415960	1SK9424	WHITE	472572!	1X3230	LK-BT	417255	2-68630481	OWS	415379
1K1110	OLIVE	471766!	1SPC22	NOVO	471255!	1X3231	LK-BT	J1278=	2-68630515	OWS	415035
1K1443	OLIVE	416921!	1T0467	CATER	415035	1X3235	FMC	417357	2-68630515	OWS	415035!
1K1582	OLIVE	323138!	1T1366	CATER	415995!	1X3235	LK-BT	417357	2-A6475	BENDI	417316!
1K1588	OLIVE	410496!	1T467	CATER	415035	1X3235	LK-BT	455192!	2-C211	HWY	417556
1K1590	OLIVE	471192	1T9424	WHITE	470712!	1X3236	FMC	417551	2-J227	NOVO	473419
1K2053	OLIVE	472354!	1U319	ULRIC	450400	1X3236	LK-BT	417551	2-JG10	KEN	410102
1K2212	OLIVE	340413	1W5729	CATER	J1984 *=	1X3295	FMC	417556	2-JG13	KEN	473231
1K2262	OLIVE	411	1W6974	CATER	39894	1X3327	FMC	J1124	2-JG14	KEN	50560
1K4713	CATER	413478	1W6977	CATER	39893	1X3329	FMC	J1125	2-JG15	KEN	410496!
1K620	OLIVE	472439	1WB7	OSHKO	416071	1X3330	FMC	J1118	2-JG16	KEN	370036A
1K693	OLIVE	455079!	1X1137	FMC	415991	1X3330	LK-BT	J1118	2-JG17	KEN	415137!
1K6981	CATER	710017	1X1137	FMC	455146!	1X3337	FMC	417433	2-JG17	KEN	418028
1K6982	CATER	710018	1X1137	LK-BT	415991	1X3337	LK-BT	417433	2-JG2	KEN	5401
1K6983	CATER	450307	1X1137	LK-BT	455146!	1X3338	FMC	417541	2-JG21	KEN	412119
1K73186	MURRA	416664!	1X1138	FMC	416888!	1X3338	LK-BT	417541	2-JG22	KEN	470530!
1K752A	OLIVE	471571	1X1138	LK-BT	416888!	1X3345	FMC	417512	2-JG23	KEN	472179
1K7983	CATER	472924!	1X1461	FMC	417238	1X3353	FMC	J1122	2-JG24	KEN	6270
1K9424	SPICE	471570!	1X1461	LK-BT	417238	1X3353	LK-BT	J1122	2-JG26	KEN	6489
1K9424	WHITE	471570!	1X1484	FMC	455117	1X3360	LETN	415449!	2-JG27	KEN	6635S
1L1110	OLIVE	416271!	1X1501	FMC	415187	1X3363	FMC	473228	2-JG28	KEN	415138!
1L1443	OLIVE	472016	1X1666	FMC	455584	1X3385	FMC	J1120=	2-JG3	KEN	5403
1L2094	CATER	473197	1X1666	LK-BT	455584	1X3389	FMC	416239!	2-JG30	KEN	417262!
1L2P-7052BA	FORD	4765	1X1743	FMC	415294!	1X3422	FMC	416865!	2-JG31	KEN	6872S
1L2Z-7052BA	FORD	4765	1X1743	LK-BT	415294!	1X3423	FMC	455330!	2-JG32	KEN	417254
1L2Z-7B215EA	FORD	710403	1X1841	FMC	415379	1X3424	FMC	J1141	2-JG33	KEN	417349
1L3W4674AA	FORD	4278	1X1841	FMC	415379!	1X3446	FMC	415072	2-JG34	KEN	416500
1L4776	CATER	470625!	1X1841	LK-BT	415379	1X3461	FMC	417600	2-JG37	KEN	472636!
1L4777	CATER	471344	1X1841	LK-BT	415379!	1X3541	FMC	415379	2-JG38	KEN	416282
1L620	OLIVE	473234	1X1843	FMC	470898!	1X3541	FMC	415379!	2-JG4	KEN	5405
1L620B	OLIVE	471692!	1X1843	LK-BT	470898!	1X3554	FMC	J1134	2-JG5	KEN	5406
1L693	OLIVE	412943	1X1861	FMC	417495	1X3589	FMC	417191	2-JG7	KEN	5408
1L7204	CATER	417487	1X1861	LK-BT	417495	1X3589	FMC	455165!	2-JG9	KEN	50631
1L7204	CATER	417487!	1X1865	LK-BT	415449!	1X3591	FMC	J1123	2-SPC22	NOVO	471763

! Industrial Size/Type * Minor Width Difference = Call 1-800-480-1212 for price and delivery.

Zero Duplication or Recommended		Zero Duplication or Recommended		Zero Duplication or Recommended		Zero Duplication or Recommended		
Mfr. No.	Name	Mfr. No.	Name	Mfr. No.	Name	Mfr. No.	Name	
2/5-F990	ROCKW	472016	20011207 TROS	471765!	200301 MICH	472397!	200603 TIMKE	200603
20-P68	MINNM	204002	20011604 TROS	471766!	200303SA TRSCM	472397	2006082 GMC	415991
200	ROCKW	5401	20011604.75 TROS	471766	200306 MICH	473463*	2006082 GMC	455146!
200	UNIVE	472397!	20011605 TROS	471766!	200306 UNIVE	473463	2006216 EATON	415960!
20000-0600	GARLK	6X16X7	20011606 TROS	471766!	200307 CUMMI	39835	20063 C-R	473463
20000-0905	GARLK	9X22X7	20011607 TROS	471766!	200307 CUMMI	5133!	200640 TIMKE	200640
20000-1409	GARLK	14X30X7	20011608 TROS	471766!	2003119 GMC	473454	200640BX SPG	200640
20000-1902	GARLK	19X32X8	20011610 TROS	471766!	200312 UNIVE	473242	200641 TIMKE	200641
20000-1903	GARLK	19X32X8	200117 HYST	311197	200313 MICH	473242	200642 TIMKE	200642
20000-2021	GARLK	20X37X8	20012 C-R	471762!	200318 UNIVE	473464	20065 C-R	7721!
20000-2702	GARLK	27X42X10	20012 C-R	710437	200318 UNIVE	473464!	2006512 GMC	370034A
20000-3402	GARLK	34X52X8	20012 GOODM	471762!	200319 MICH	473464!	2006522 EATON	415938
20000-3403	GARLK	34X52X8	20012005 TROS	473210	200319 MICH	473464	2006523 GMC	3143N*
20000-3404	GARLK	34X52X8	20012005C TROS	473210	200322 TIMKE	200322	20067 SPG	473228!
20000-3405	GARLK	34X62X10!	20012006 TROS	473210	200325 UNIVE	412027	20068 C-R	473242
20000-3601	GARLK	36X52X7	20012405 TROS	472258!	20032LUP JN-MN	416125!	20069 C-R	473242
20000-3604	GARLK	36X62X7!	20012405.25 TROS	472258!	200334M1 MASSE	417316!	2007 FMS	2007N
20000-4034	GARLK	40X68X12	20012405.5 TROS	472258	200337 MICH	410102	20070 C-R	473242
20000-4403	GARLK	44X65X10!	20012406 TROS	472258!	200338 TIMKE	471766	20071 C-R	473242
20000-4533	GARLK	45X85X10	20012407 TROS	472258!	200339 TIMKE	200339	20072 C-R	473242
20000-4534	GARLK	45X85X10	200129 WILYS	416738!	200340B HERCU	45637S	20072 GARLK	471526!
20000-5020	GARLK	50X75X10	200129 WILYS	450096	200340B HOUGH	45637S	200721H1 IH	472636
20000-5205	GARLK	52X80X10	20012K GOODM	471762!	200348 HARRI	480630!	20074 C-R	473242
20000-5300	GARLK	53X68X10	20012M1 C-R	471762!	20035 FMC	410102	20075 C-R	473242
20000-5301	GARLK	53X68X10	20013 C-R	450159	200354 SPG	200354	200752 TIMKE	200752
20000-5611	GARLK	56X80X8	20013203.5 TROS	240319	200354 TIMKE	200354	200757H1 IH	473010
20000-6306	GARLK	63X85X10	20013204 TROS	481163!	200371 TIMKE	200371	20076 C-R	473242
20000-6308	GARLK	63X85X10	200133 CLARK	471224!	2003712 GMC	416167!	200763 TIMKE	200763
20000-6404	GARLK	64X90X13	200133 TIMKE	200133	2003754 GWI	450398	20076S SPG	470334!
20000-6405	GARLK	64X90X13	20013LPD JN-MN	415043	2003754 GWI	471267!	20078 C-R	412725
20000-7500	GARLK	75X90X10	20014 C-R	471763	200378 WILYS	42763	20078 C-R	43670!
20000-7505	GARLK	75X110X12	20015 C-R	471764!	200382 HERCU	470712	20079 C-R	412725
20000-9200	GARLK	92X120X13	200155M1 MASSE	472924!	200382A HERCU	470712	2007N TIMKE	2007N
200000A	CASE	455189	20015M1 C-R	471764!	200384 CONTI	5971	2007S TIMKE	2007
200000A	HERCU	455189	20016 C-R	471765	200392 TIMKE	200392	2008 NATL	32X54X10
200000B	HERCU	455189	200164M1 MASSE	473238!	2003N TIMKE	2003N	20081 GARLK	471472!
200002	SPG	200110	200166M1 MASSE	471750!	2003RC SUL	416888!	20082 C-R	412725
200002206	GARLK	22X37X7!	20016M1 C-R	471765	2004 TIMKE	2004	20083 C-R	412725
200002206	GARLK	22X37X8!	20017 C-R	450173	20040 C-R	473463	200851 TIMKE	200851
200005793	WHITE	417254	20018 ALLCH	471766!	200420 WILYS	5778	200854 TIMKE	200854
200006561	WHITE	410930=	20018 C-R	471766!	200427 CONTI	5971	200855 TIMKE	200855
20001-0303	GARLK	135X160X12	20018 FAIRB	471766!	20043 C-R	473463	200859 TIMKE	200859
20001-0407	GARLK	145X180X12	20018 MINMA	471766!	20043 SIDEW	470380!	20085S SPG	470530!
20001-0900	GARLK	190X230X13	20018 SPG	471264!	20044 C-R	204508!	200861 TIMKE	200861
20003	C-R	40301S	20018M1 C-R	471766!	20044 C-R	473463	200865 TIMKE	200865
20003	LEECE	416738!	20018Q6-B C-R	471766!	200446 HYST	410825	200870 TIMKE	200870
20003	LEECE	450096	20019 C-R	473424!	200447 HYST	415960	2008723 GMC	370001A
200032	CLARK	471224	200196 ALLCH	473367!	20045 C-R	473463	200881 TIMKE	200881
200038	CUMMI	471267	200196 ALLCH	473367	20046 C-R	473463	200885 TIMKE	200885
200039	CUMMI	471272	2002 TIMKE	2002	2004657 GMC	455244H=	200886 TIMKE	200886
20004	C-R	472397!	200204BX SPG	200204=	20047 C-R	473463*	200887 TIMKE	200887
20004	C-R	472397*	20022 C-R	472397!	20048 C-R	473463	200897SSL MICH	472924
20004	LEECE	473225!	2002245 GMC	473243	20049 C-R	473463	200897X SPG	80313
20005	C-R	472397!	20023 C-R	472397!	200490 HYST	415854	2008S TIMKE	2008
20005	LEECE	40085S	200234T BR-WN	417344!	20050 SPICE	370036A	20090 C-R	412725
20005606	TROS	470645	200236 EATON	416444	20050 SPICE	370349A	200903 WILYS	340797
20006	C-R	40301S	200256 EATON	8611N	20050 SPICE	380036A	20091 C-R	293280=
200069	CUMMI	J1111	200275 MICH	472492!	20051 C-R	473463	200929 TIMKE	200929
20009	C-R	472397	20028 C-R	472397!	20051258 DURA	471763	20094 C-R	473464
2000M-13	ROCKW	5408	200283 EATON	8660S	20052 C-R	473463	20094 C-R	473464!
2001	C-R	471760	200287 MICH	472924!	20053 C-R	473463	200942 TIMKE	200942
2001	SEAMA	473473	200287 UNIVE	472924!	200539 HARRI	473197	2009496 GR-DV	J1123
2001	TIMKE	2001	200287DSL MICH	472924!	20054 C-R	473463	2009497 GR-DV	416294!
20010004	TROS	471760	200294 EATON	471272!	200544 HARRI	417502	20095 C-R	473464
20010007	TROS	471760	200299 UNIVE	470530!	20055 SPG	473215!	20095 C-R	473464!
20010805	TROS	471763	2003 FMS	2003N	20059 C-R	473463	20096 C-R	473464
20010807	TROS	471763	2003 TIMKE	2003	20059 SPG	470380!	2009633 GR-DV	416239!
200110	TIMKE	200110	200300 MICH	470530!	200598 KOHL	481537	20097 C-R	473464
200111	KOHL	471760	200300 UNIVE	472397!	20060 GARLK	471442!	2009746 GR-DV	J1135=
200112	C-R	472258*	200300HSL MICH	470530!	200600 TIMKE	200600	2009750 GR-DV	417316!
200112	KOHL	471224!	200300ISL MICH	470530!	2006002A DURA	473236!	2009751 GR-DV	417343!
20011204	TROS	471765	200300LSL MICH	470530!	200600BPO SPG	200600	2009752 GR-DV	417172

! Industrial Size/Type * Minor Width Difference = Call 1-800-480-1212 for price and delivery.

Zero Duplication or Recommended		Zero Duplication or Recommended		Zero Duplication or Recommended		Zero Duplication or Recommended					
Mfr. No.	Name	Mfr. No.	Name	Mfr. No.	Name	Mfr. No.	Name				
2009753	GR-DV	417366!	201377	GW1	471567!	2022006	GMC	5M867	20282VHY	TRSCM	200339!
2009755	GR-DV	416288!	20140	C-R	455253*	202210	WAYNE	416149	20283TA	TRSCM	472924
2009756	GR-DV	J1130	20141	SPG	470954!	202211	HERCU	417535	20284SA	TRSCM	472653!
2009757	GR-DV	J1127	201412	BENDI	471267!	20225	GARLK	471255!	2028516	GMC	482415
20098	C-R	473464!	2014181	GMC	472185!	2022846	GMC	HU042A	202852	WILYS	474278!
20098	C-R	473464*	20143	C-R	455253*	202287	MICH	451948	202883TB	TRSCM	472082
200996	CLARK	471649!	20144	C-R	487945	202287	UNIVE	451948*	20289A	C-R	415035
200997	ALLCH	411253!	20145	SPG	473460	202299	UNIVE	473466	20289A	C-R	415035!
2009S	TIMKE	2009	20146	C-R	410102+99198	202300	MICH	473466	20289D	IH	473232
200A11204	TROS	40576S	20146	C-R	413470	202300	UNIVE	472012	2028D	GOODM	415449!
200A11205	TROS	40576S	20146	C-R	5188!	202301	MICH	472012	20290	C-R	51X90X8*
200B18	C-R	471766!	2014685	HENRY	42352S	202306	MICH	450307	20290D	IH	473238
200CP16M1	C-R	471765	2014686	HENRY	40401	202306	UNIVE	450307	20292	C-R	51X92X8*
200F18	C-R	471766!	20147	C-R	457097=	202308	FORD	471692!	20292VBJ	TRSCM	8139
200FM18	C-R	471766!	20148	C-R	204506!	202312	UNIVE	450311	20292VBJ	TRSCM	9762S
200W-12	IH	471762!	20148	C-R	487945	202313	MICH	450311	2029409	GMC	370023A
200W12	C-R	471762!	201495	JEFF	472439	202318	UNIVE	416738!	2029409	GMC	417505
200W15	C-R	471764!	20154	C-R	205044	202318	UNIVE	450096	2029431	GMC	50560
200W15-M1	C-R	471764!	20158	C-R	55524	202319	MICH	416738!	202951	CUMMI	471763
200W16	C-R	471765	2016	TIMKE	2016	202319	MICH	450096	202964	CUMMI	471795
200W16M1	C-R	471765	2016^1012	STEM	417505	20232	VICK	474281!	202967	CUMMI	472164!
200W18	C-R	471766!	20160	C-R	55524	202325	MICH	450313	202973	CUMMI	5026\$
200W18-M1	C-R	471766!	20160	SPG	471763	202325	UNIVE	450313	202974	CUMMI	J1141
200X230X15SC	TRSCM	200X230X15!	2016169	GMC	370001A	202331	FORD	473231!	202975	CUMMI	J1401*=
200X230X15TC	TRSCM	200X230X15!	201657A	HERCU	420	202335	UNIVE	450532*	202976	CUMMI	5509
201	C-R	5118	20168	C-R	5329	20237	GARLK	471564	202992VH	TRSCM	40085S
201	UNIVE	450311	20168	C-R	6465	202405C91	IH	415303!	202993TA	TRSCM	470530
201-463-8	SPICE	415379	2016938	EATON	417967!	2024226	GMC	100494	202A402	GE	351487
20100	C-R	473464	201693800	EATON	417967!	2024226	GMC	476470!	202VB7	MARI	412119!
201002	COOK	55222=	20172	C-R	6465	2024331	GMC	411253!	203	SEAMA	417542
2010071	GMC	410496!	2017341	GMC	50327	2025	TIMKE	2025	203	UNIVE	473245!
201010A	TW-DI	415437	2017948	EATON	473238	20250	C-R	51X73X8	203002	TIMKE	203002
20103	C-R	473464	201794800	EATON	473238!	202503	MC-CL	471633!	203003	NATL	203004
2010451	GMC	416664	201799R91	IH	470898	202521	Y-T	473367	203003	TIMKE	203003
20108D	IH	473215!	2017OS	JN-MN	415150!	202521	Y-T	473367!	203004	NATL	203003
20109	C-R	412027	2018206	Y-T	455330!	20252SC	TRSCM	352541	203005	NATL	205005
2011	UNIVE	471141!	201820600	EATON	455330!	20252VB	TRSCM	40401	203005	TIMKE	203005
2011035	WOOL	417267	2019	SEAMA	473227	20255	C-R	472924!	203005X	SPG	203005!
20111	C-R	473464!	2019028	GMC	HU042A	202562VB	TRSCM	8871	203006S	TIMKE	203006
20111	C-R	473464	2019130	EATON	415001!	202565VB	TRSCM	9015S	203007XX	TIMKE	20X30X7
20112	C-R	473464	201933R91	IH	473463	2025OS	JN-MN	450143	203008	TIMKE	203008
20112	C-R	473464!	20196	C-R	5871	202602	ALLCH	473462	20300D	IH	5M559
20112	MICH	471466!	2019708	EATON	417316=	202622VB	TRSCM	9406S	20301	SPG	472397!
20112	UNIVE	471466!	2019766	EATON	450084!	20262KBJ	TRSCM	4148	203012	TIMKE	203012
20113	C-R	9762S	201VB7	MARI	412920!	202632VB	TRSCM	292594	2030123	GMC	417507
201140R91	IH	415351!	202	ROCKW	5403	202635SP	TRSCM	6090S	203013	TIMKE	203013
2011488	GMC	473010	202	UNIVE	472016	20263TB	TRSCM	471424!	2030133	GMC	417171!
20116	C-R	412027	2020	SEAMA	471267!	20263VTB	TRSCM	471424!	203015	TIMKE	203015
20117	C-R	412027	202008	SPG	204008	202683SB	TRSCM	40360S!	203015X	SPG	203015
20118	C-R	8139	20201	GARLK	471466!	202683SB	TRSCM	471833	203016	TIMKE	203016
201197	WILYS	240151	20205	C-R	494123	2026943	GMC	370121A	203020	TIMKE	203020
2011S	TIMKE	2011	20205	C-R	51X63X8!*	2026OS	JN-MN	472179	203025	TIMKE	203025
2012	FMS	2012V	20205	C-R	710323*	2027	TIMKE	2027	203029	TIMKE	203029
2012	SEAMA	455144	20209	C-R	494123	202700M1	MASSE	473453	203029M1	MASSE	415458!
201204R91	IH	412871!	202098	FMC	416149	202713TB	TRSCM	450446!	20302VAY	TRSCM	40301S
20124	C-R	410102*	2020985	GMC	471466!	202713TB	TRSCM	474272	203034	TIMKE	203034
2012455	GMC	3136N	2020997	GMC	470625!	20271VB	TRSCM	5865	203038M1	MASSE	414045!
20125	C-R	410102*	20210	C-R	225110	2027348	GMC	473245!	20303TB	TRSCM	472397!
20126	C-R	410102	20210	C-R	51X65X7!	20273SSZ	TRSCM	331107N	203040B	HERCU	485197H=
20127	C-R	410102	202104	ALLCH	5M403	20273TB	TRSCM	472492!	2030463	SEAMA	471271!
2012S	TIMKE	2012	202108M1	MASSE	471870!	20273VTB	TRSCM	472492	2030600	GMC	450467
2012V	TIMKE	2012V	202109M1	MASSE	471766!	20275	C-R	51X80X8*	203063TB	TRSCM	473463
2013	NATL	1012	20211106	TROS	451182	202752VHY	TRSCM	40389S	2030838	SEAMA	417349
2013	NATL	1012N	202115	MIHLE	415090	2027672	GMC	HU110A	2030897	GEWI	471554!
20130	C-R	410102=	20212X	SPICE	451948	202784	FORD	7381S	203097	CUMMI	J1807
201311	WILYS	471827	20213	GARLK	471264!	202798M1	MASSE	470059	2030D	GOODM	455079!
20134	C-R	410102*	20215	C-R	5695	202798M1	MASSE	470380!	2030LD	OSHO	471689!
20135	C-R	410102*	20216	C-R	710173	2027D	GOODM	470605!	2031	ALOY	473234
20135	SPG	471192	202170	KEN	415077	20280	C-R	51X81X8*	203100	CUMMI	471795
20136	C-R	710007	202170	PACIF	415077	202801M1	MASSE	472439	203101	CUMMI	473010
20137	MICH	471255!	202180	KEN	325940=	202806XX	TIMKE	20X28X6	2031059	GMC	417505
20137	UNIVE	471255!	2021809	GMC	370006A	20281	VICK	473447	20313TB	TRSCM	473242

! Industrial Size/Type * Minor Width Difference \$F-M Number Is Part Of A Kit = Call 1-800-480-1212 for price and delivery.

Zero Duplication or Recommended			Zero Duplication or Recommended			Zero Duplication or Recommended			Zero Duplication or Recommended		
Mfr. No.	Name	Industrial	Mfr. No.	Name	Industrial	Mfr. No.	Name	Industrial	Mfr. No.	Name	Industrial
2031437	GMC	472394	203745	DIA	50075=	20413207	TROS	480630!	20450	C-R	225275
2031437	MCKIN	472394	203745	IH	50075=	20413604	TROS	7994S	204500	TIMKE	204500
2031438	GMC	472016	203746	BENDI	450039	20413607	TROS	8421S	204501	TIMKE	204501
2031438	MCKIN	472016	203746	GMC	450039	2041497	GMC	370012A	204502	TIMKE	204502
203153	BENDI	473367	2037485	GMC	471341	20415	C-R	52X69X10!	204503	TIMKE	204503
203153	BENDI	473367!	2037489	GMC	470954!	204167H1	HOUGH	472636!	204505	NATL	204020
203153	DIA	473367!	203766	BENDI	471570!	204167H1	IH	472636!	204505	TIMKE	204505
203153	DIA	473367	20380	C-R	5797	2041807	GMC	416282	204506	TIMKE	204506
203153	GMC	473367!	203807XX	TIMKE	20X38X7	2042	ALOY	442874	204507	NATL	204029
203153	GMC	473367	203809	CINMI	417355!	20420	C-R	1955	204507	TIMKE	204507
203153	KEN	473367!	203822	CUMMI	2151H=	20420	C-R	52X65X9!	204508	TIMKE	204508
203153	KEN	473367	2038244	GMC	370106A	204207XX	TIMKE	20X42X7	204509	TIMKE	204509
203153TA	TRSCM	412725	2038277	GMC	473367!	20421	C-R	4990	20453	C-R	52X75X12!
20316	SPG	472636!	2038277	GMC	473367	204210XX	TIMKE	20X42X10	20455	C-R	1884*
203166	BENDI	450065	203838	CINMI	417171!	20423	C-R	1884	20455	C-R	710292*
2031765	GMC	415137!	20383D	IH	472924!	20423	C-R	52X68X8!	204553	HARRI	416273!
2031765	GMC	418028	203881	BENDI	471750!	20424	C-R	52X68X8V!	20456	VICK	471341!
2031767	GMC	415001!	20388D	IH	472924!	20424	C-R	710190	20458	GARLK	471567!
2031768	GMC	417159	2039149	GMC	418028	20425	C-R	3087	2045996	GMC	417507
2031949	GMC	473211!	2039150	GMC	HU066A	20426	C-R	225220	20460	C-R	225278
2031960	FWD	78048	2039297	EATON	470898	20426	C-R	52X68X8!	204611	CINMI	472397!
2031960	OSHKO	78048	20393D	IH	472924!	20427	C-R	4990	204614A	HERCU	473241
2032	SEAMA	470059	20394	SPG	473227!	20427	GARLK	470954!	204617	CINMI	414045!
2032	SEAMA	470380!	203A13206	TROS	1165	204275SP	TRSCM	3087	204621	BENDI	50327
203207XX	TIMKE	20X32X7	203FF112	C-R	470774!	20428	C-R	225220	204621	DIA	50327
2032362	GMC	370012A	204	C-R	5116	20428	C-R	4990*	204621	IH	50327
2032484	GMC	HU066A	204	ROCKW	5405	20428	C-R	710312	20463	FMC	473237!
20324TA	TRSCM	412027	204	UNIVE	472636!	20429	C-R	225275	204638	WILYS	6489
203277M1	MASSE	471554!	204002	TIMKE	204002	2042936	GMC	417171!	20465	C-R	710107
2033	SEAMA	471424!	204005S	TIMKE	204005	204299	UNIVE	473467!	20467	FMC	451078!
20332A	C-R	415379	204007XX	TIMKE	20X40X7	2043	ALOY	473445	2046991	GMC	415458
20332A	C-R	415379!	204008	TIMKE	204008	2043	MINNM	205004	2047	ALOY	473317
20334TA	TRSCM	410102	204009	SPG	6590S	2043	TIMKE	2043	20470	C-R	52X80X10
20334TA	TRSCM	710007	204010XX	TIMKE	20X40X10	20430	C-R	225225	204707XX	TIMKE	20X47X7
2033618	GWI	470954!	204012	SPG	6906S	20430	C-R	52X70X8!	2047159	GOODM	417316!
2033900	GWI	471567!	204013	TIMKE	204013	204300	MICH	473467	2047175	GOODM	415995!
2034	ALOY	8549S	204017	TIMKE	204017	204300	UNIVE	472015!	2047176	GOODM	417487
2034224	GMC	AR6+370012A	204020	TIMKE	204020	204300SL	MICH	473467	2047232	GOODM	417205!
2034225	GMC	370007A	204027	TIMKE	204027	204301	MICH	472015!	2047260	GOODM	472157
2034226	GMC	417507	204029	TIMKE	204029	204306	MICH	410308!	2047260	GOODM	472157!
2034230	GMC	418028	204035	TIMKE	204035	204306	UNIVE	410308!	2047261	GOODM	472157!
2034235	GMC	370019A	204038	TIMKE	204038	204306SLA	MICH	6180=	2047261	GOODM	472157
2034236	GMC	370012A	2040442	GMC	5957S	20431	C-R	4898	2047277	GOODM	415138!
2034237	GMC	417506	2040443	GMC	5951	204312	UNIVE	472016	2047288	GOODM	417262!
2034238	GMC	370008A	20405	C-R	1975	204313	MICH	472016	20473	C-R	52X80X10!
2034361	GMC	450068	204051	KEN	415876	204318	UNIVE	472409!	204731A	HERCU	471192
2034942	GMC	370106A	204051	PACIF	415876	204319	MICH	472409!	204746	FWD	8126S
2035	SEAMA	417554!	204075	NATL	204017	20432	C-R	710187	204771	BENDI	471553!
203507XX	TIMKE	20X35X7	20408	C-R	1955	204325	MICH	473243	204839	HERCU	455197N
2035091	GMC	415137!	20408	C-R	52X65X9!	204325	UNIVE	473243	204839B	HERCU	455197N
2035091	GMC	418028	2040H-7	JAE	470682	204335	MICH	413469!	2048471	GMC	476470
203524	BENDI	470530!	2040H24	JA-MI	415449!	204335	UNIVE	413469!*	2048471	GMC	476470!
203544TL	TRSCM	455253	2040H24	JAE	415449!	20434	C-R	225210	20488	GARLK	471643!
20355	GMC	472164!	2040H25	JA-MI	415995!	20435	C-R	52X72X8V	20489	VICK	471553!
2035506	GMC	370001A	2040H25	JAE	415995!	20439	C-R	225540	2048D5	WHITE	415960
2035507	GMC	370005A	2040H26	JA-MI	473205	204399	BENDI	450593!	2049	ALOY	7687S
203573	BENDI	476838!	2040H26	JAE	473205	20440	C-R	225230	20490	C-R	52X85X8
203573	WHITE	473367!	2040H7	JA-MI	470682	20441	C-R	52X72X8V	20490	C-R	52X85X8
203573	WHITE	473367	2041	LUF	415035!	20442	C-R	225230	20493	VICK	472179
203581600	EATON	415371	2041	LUF	415035	20444	C-R	225230	204939	BENDI	471466!
20359	VICK	50528	2041/1043	STEM	370192A	20444	C-R	52X72X8!	204949	BENDI	470625!
20359D	IH	471466!	20410007	TROS	471619!	2044444	GMC	254287	20495	C-R	52X85X7*
2035SR	OSHKO	470059	204102	CONTI	471196!	2044445	GMC	471570!	204971	BENDI	471526!
2035SR	OSHKO	470380!	20410807	TROS	471785!	20445	C-R	225230	204A111X06.5C	TROS	7442H
203607XX	TIMKE	20X36X7	20411207	TROS	471354!	2044531	GMC	40468	204E4248	FORD	470712!
2036108	GMC	470712!	20411604	TROS	471787	2044540	GMC	418028	204E7657	FORD	1097N
203707XX	TIMKE	20X37X7	20411607	TROS	224045	2044540	GMC	455137!	204VB7	MARI	415001!
203708XX	TIMKE	20X37X8	20411607	TROS	40X62X12!	20446	C-R	5696	205	C-R	5108
203710A	HARWA	20X37X8	20412106	TROS	484054	20446	GARLK	471554!	205	ROCKW	5406
2037360	GMC	470059	20412406	TROS	472258!	20447	C-R	710230	20500	C-R	5686
2037360	GMC	470380!	20412407	TROS	470774!	20448	C-R	710527	20500	C-R	5696
203745	BENDI	50075=	20413204	TROS	480630	20448	GARLK	471643!	205002	SPG	200354

! Industrial Size/Type * Minor Width Difference = Call 1-800-480-1212 for price and delivery.

Zero Duplication or Recommended Industrial		Zero Duplication or Recommended Industrial		Zero Duplication or Recommended Industrial		Zero Duplication or Recommended Industrial		
Mfr. No.	Name	Mfr. No.	Name	Mfr. No.	Name	Mfr. No.	Name	
205004	TIMKE	205004	205A12407 TROS	6760S	206325 UNIVE	473245!	2067183 CHRYS	7107A=
205005	CONTI	471733	205B12306 TROS	51322	206335 MICH	412943	2067184 CHRYS	7107A=
205005	TIMKE	205005	205FF112 C-R	470774!	206335 UNIVE	412943*	2067185 CHRYS	7934S
20501	C-R	5685	205VB7 MARI	415458!	206337 UNIVE	50798*	2067186 CHRYS	450666
205012	KOHL	471649!	205Z1 C-R	471619!	20635 C-R	450307	2067187 CHRYS	5458
205015	TIMKE	205015	206 CHEL	471224!	206364TA TRSCM	455260	2067188 CHRYS	5458
205017	TIMKE	205017	20600 C-R	472012	2064 TIMKE	2064	2067190 CHRYS	5499=
205020	NATL	204020	2060012 CHRYS	455336	20642 C-R	450307	2067191 CHRYS	5573
205020	NATL	204505!	20603 CALSO	472636!	206426 ALLCH	473313	2067192 CHRYS	6818
205020	SPG	204020	20604 C-R	472012	206428 CLARK	415001!	2067193 CHRYS	7537S
205020	SPG	204505!	20604 CALSO	416426H=	20643 C-R	450307	2067195 CHRYS	471193
205035	TIMKE	205035	20605 C-R	472012	2064489 GMC	417506	2067198 CHRYS	8139
205044	TIMKE	205044	2060510 GMC	470898	206449 ALLCH	450456!	2067200 CHRYS	470059
205058	SPG	9015S	2060531 GMC	471649!	206449 CLARK	416332!	2067200 CHRYS	470380!
2051473	GMC	416892	206072 ALLCH	330385!	20644909 ALLCH	450456!	2067201 CHRYS	470059
20520	C-R	484064V	20608 C-R	6954S	206450 ALLCH	415001!	2067201 CHRYS	470380!
205207XX	TIMKE	20X52X7	20608 SPG	471267!	20645007 ALLCH	415001!	2067204 CHRYS	473235
205209A	TW-DI	416892!	206086M1 MASSE	417134	2064731 GMC	370047A	2067206 CHRYS	6815
20522	SPG	472258!	2061 ALOY	1945	20650 C-R	450311	2067207 CHRYS	471835!
205273	FREIG	5481\$	2061 C-R	471619!	2065073 TAYLR	55539=	2067208 CHRYS	473228
205282	CINMI	415697!	206110 C-R	450129	2065078 TAYLR	417544	2067209 CHRYS	9568
205282	CINMI	455547	206110 C-R	472826	20651 C-R	450311	2067211 CHRYS	5778
205312JX	MICH	80313	206110 CLARK	450129	2065366 GMC	415960	2067212 CHRYS	6930
205358A	HERCU	471538!	206110 CLARK	472826!	2065367 GMC	411253!	2067213 CHRYS	6930
20537	C-R	5877	206110M1 C-R	450129	206538 ALLCH	471765!	2067214 CHRYS	7044NA
20538	C-R	5877	206110M1 C-R	472826	20653812 ALLCH	471765!	2067215 CHRYS	7994S
2054	SEAMA	470625!	206112 C-R	470774!	206545 CLARK	470898!	2067216 CHRYS	451182
20542	C-R	5877	206112M1 C-R	470774!	206546 CLARK	411253!	2067218 CHRYS	7457N
205493	LK-BT	42352S	206112Q6 C-R	470774!	206547 CLARK	412871!	206722 CLARK	473447
2054BT	SPG	6358	206116 C-R	480630!	206548 CLARK	415483!	206731 CLARK	470565!
2054BT0	SPG	6358	206116M1 C-R	480630!	206550 CLARK	470712!	20674 C-R	200110
2055	TIMKE	2055	20612 C-R	473420	206552 CLARK	472258	206742 CLARK	411394!
20554	C-R	451948*	206120 CLARK	471224!	206553 CLARK	471192	206775 CLARK	472144!
20555	C-R	451948*	20614 C-R	471785	206554 CLARK	471821!	20678 C-R	200110*
20559	BR-WN	470059	20614K CLARK	471785!	206556 CLARK	470898	20678 GARLK	471267!
20559	BR-WN	470380!	20614M1 C-R	471785	206557 CLARK	472636!	206785 ALLCH	471554!
20560	C-R	4162	20615 C-R	473427	206558 CLARK	472636!	206786 ALLCH	473215!
20561	C-R	473466	20616 C-R	471354!	206559 CLARK	470712!	206789 ALLCH	473215!
2056124	GMC	417505	20616A CONTI	471354!	206560 CLARK	471554!	206791 ALLCH	473238
2056401	GMC	471141!	20618 AT-PL	471787!	206561 CLARK	470059	206801 CLARK	410737!
20568	C-R	473466	20618 C-R	471787	206561 CLARK	470380!	2068106 GMC	472636!
205705	CINMI	472636!	20618M1 C-R	471787	206563 CLARK	471765!	206834 CLARK	472560N
205705A	HERCU	471267!	20619 C-R	450124=	206564 CLARK	471766!	206840 ALLCH	472636!
205708	ALLCH	474278!	2061M1 C-R	471619!	206565 CLARK	471835!	206849 CLARK	55193=
2057128	GMC	472394	20620 C-R	450307	206566 CLARK	417267	206850 CLARK	472924!
205714	CINMI	415023	206204 CLARK	473214!	206569 CLARK	472354!	2068504 GMC	472394
205724	FWD	415035=	206205 CLARK	472185!	206570 CLARK	470898	206864 CLARK	470898
205737	CINMI	416404!	20621 C-R	450307	206571 CLARK	471141!	2068682 GMC	472636!
205747	HERCU	455189	20621 VICK	412920!	206572 CLARK	470898	2068683 GMC	415449!
205747B	HERCU	455189	206222 CLARK	471787!	206574 CLARK	472258	20687 C-R	416738!
2057480	GMC	370003A	206228 SEAMA	416664!	206575 CLARK	472636!	20687 C-R	450096
2057761	GMC	412473!	206233 SEAMA	473214	2065760 GWI	473459	20687 GARLK	471570!
2058	ALOY	480630	206253SZ TRSCM	332134	206578 ALLCH	471766!	20689 C-R	416738!
20582	C-R	473466	206253VSB TRSCM	484064V	20658 C-R	450311	20689 C-R	450096
205821R91	IH	415697!	206257 CLARK	471765!	20659 C-R	450311	206893 CLARK	413248
205821R91	IH	455547	2062667 GWI	415234!	206593 CLARK	471763	20690 C-R	416738!
205822R91	IH	473473	206273TL TRSCM	473449	2065OS JN-MN	471549!	20690 C-R	450096
205823	OILGR	471554!	20628 C-R	450307	2066126 GMC	417487!	206948 CUMMI	473285V=
2058243	GMC	B300	2062844TL TRSCM	5877	2066126 GMC	417487	20697 C-R	416738!
205834	ALLCH	50462	206284SA TRSCM	451948	2066157 GMC	472924!	20697 C-R	450096
2058459	GMC	471733	20629 NORDG	471760	2066184 GMC	473238	20698 C-R	416738!
20585	C-R	473466	206294TL TRSCM	473446	206648 CLARK	470059	20698 C-R	450096
20586	C-R	473466	2063037TB TRSCM	472012	206648 CLARK	470380!	206A CHEL	480210!
20590	C-R	472012	206303VB TRSCM	6954S	20669 C-R	5756	206FF112 C-R	470774!
2059264	GMC	415995!	206306 UNIVE	473471	2067088 GMC	410987!	206VB7 MARI	411376!
20594	C-R	472012	2063063TL TRSCM	450307	206714 CLARK	415458!	206W110 C-R	450129
2059474	GMC	417196!	20631 C-R	450339	2067175 CHRYS	331301N	206W110 C-R	472826
205952	ALLCH	471554!	206312 UNIVE	472020	2067176 CHRYS	40369S	206W110M1 C-R	450129
2059756	GMC	450084!	206318 UNIVE	470354	2067178 CHRYS	5589	206W110M1 C-R	472826
205976R91	IH	473459	2063192 GMC	450040	2067179 CHRYS	471821!	206W112 C-R	470774!
205987	ALLCH	472185!	2063220UB TRSCM	80313	2067181 CHRYS	6064	206W112-T8 C-R	470774!
20599	C-R	472012	206325 MICH	473245!	2067182 CHRYS	6985	206W14 C-R	47185

! Industrial Size/Type * Minor Width Difference \$F-M Number Is Part Of A Kit = Call 1-800-480-1212 for price and delivery.

Zero Duplication or Recommended		Zero Duplication or Recommended		Zero Duplication or Recommended		Zero Duplication or Recommended	
Mfr. No.	Name	Mfr. No.	Name	Mfr. No.	Name	Mfr. No.	Name
206W14M1 C-R	471785	207523 CLARK	471765!	2081839 GMC	5957S	2091 STEM	9128S
206W18 C-R	471787	2075286 GMC	471141!	2082 ALOY	8314	20915 C-R	340900
206W18M1 C-R	471787	207529 CLARK	470712!	2082924 GMC	415007	209158 CLARK	471766=
207 C-R	5390	207537R91 IH	473459	2082925 GMC	473464!	2091906 GMC	471887
207 CHEL	471231!	20754 C-R	450343	2082925 GMC	473464	2092 ALOY	1994
207 IH	471231!	207545 CLARK	50266	2082926 GMC	415458	20920 C-R	41013S
207 ROCKW	5410	207546 CLARK	416404!	2083 ALOY	3543	20920 FULLE	415991
207 UNIVE	411245!	20756 TMTR	6590S	208306 UNIVE	473473	2092491 GMC	417171!
2070 SEAMA	471835!	207565 CLARK	471835!	208312 UNIVE	471138!	20926 C-R	6590S*
2070065 GOODM	J1115	2075665 GMC	6644	208318 UNIVE	410737!	20927 IDEAL	35127
207009 COOK	410737!	207570R91 IH	470954!	208325 MICH	472636!	209273VHY TRSCM	6590S
2070113 CHRYS	473235	20758 C-R	455260	208325 UNIVE	472636!	2092767 GMC	6703S
20702 C-R	416738!	20759 C-R	455260*	208335 MICH	411253!	2093 ALOY	1984
20702 C-R	450096	2076 SEAMA	417211!	208335 UNIVE	411253!	209312VH TRSCM	40973S
2070639 GMC	471766!	2076132 GMC	415082	208337 MICH	412920!	2093289 GMC	412473!
2070779 GMC	415371	20762 FULLE	472311	208348 HYST	450400	209341 TW-CO	471765!
2070782 GMC	416865!	207640 CLARK	471192	208348 MICH	455136	209354 WILYS	9613S
2070788 CHRYS	470487!	207644 CLARK	471835!	208350 MICH	411376!	20938 C-R	6590S
207085 CLARK	415498	2076549 GMC	471141!	208350 UNIVE	411376!	2093940 GMC	473473
207086 GAL	471689!	207656 CLARK	471765!	208362 MICH	415234!	2093H SPG	2093H=
207086 WHITE	471689!	20766 C-R	6077	208362 UNIVE	415234!*	2094 ALOY	417158
20711607.5 TROS	450177	207672 CLARK	471649!	208370 CLARK	330385!	2094257 GMC	471267!
20712007.5 TROS	473421	207693 CLARK	473016!	208375 UNIVE	415259!	2094297 GMC	472258
2071215 GMC	100263	207699 CLARK	470605!	208385 CLARK	472636!	209440 CLARK	473449!
2071215 GMC	3905	207749 CLARK	471192	208417 ALLCH	473197	209440 GAL	473449
20712407.5 TROS	472287!	20775 VICK	412861	2084190 GMC	410987!	2094440 GMC	370008A
20712412 TROS	472287!	207750 CLARK	471835!	208432 CINMI	415645!	20946 C-R	6590S
2071250 GMC	471787!	2078 ALOY	4099	208432 CINMI	455104	2095 ALOY	3732S
20715 C-R	416738!	2078 SEAMA	415984!	208436 ALLCH	471835!	2095 UNIVE	414045!
20715 C-R	450096	2078026 GMC	370005A	2084411 CHRYS	5576	209501 CLARK	417344!
20715 EATON	417316	207816 CLARK	470898	208458 WAUKE	470898=	20952 C-R	6590S
20715 FULLE	417316	2078535 GMC	416654	2084868 GMC	415458!	2095463 GMC	50199S!
20715 GARLK	471646!	2079 ALOY	4249	208488 CLARK	471466!	2095463 GMC	6863S!
207153 FREIG	5405\$	207919 CLARK	450398	208494 CLARK	471504!	2095539 GMC	240319
20716 C-R	416738!	207919 CLARK	471267!	2085247 FLXIB	470059	209557M1 MASSE	473229
20716 EATON	470625!	20793 FMC	471192	2085247 FLXIB	470380!	209562M1 MASSE	410737!
20716 FULLE	470625	207948 CLARK	472439	2085247 GMC	470059	209564 CLARK	415995!
207190 CLARK	473243	207960 WILYS	410059	2085247 GMC	470380!	209587 CLARK	412119
2071Y IH	7600S	207960 WILYS	470380!	2085249 GMC	417484!	209587 MIXMO	412119!
2072 SEAMA	415036	20798 SIDEW	473517!	208526 WAUKE	416888=	2096 ALOY	8312
2072055 CHRYS	340797	2079836 GMC	415437	208538 CLARK	470530!	2096 SEAMA	415138!
2072056 CHRYS	240731	2079836 GMC	415437!	2085764 GMC	455080*	20960 C-R	40627S=
2072707 CHRYS	41257!	207993 ALLCH	471835!	208579 CUMMI	415937	2096046 GMC	415088
2072707 FORD	41257!	2079SR OSHKO	470059	2085RC SUL	481073	209623 CLARK	415449
207273 CLARK	470530!	2079SR OSHKO	470380!	208623 JEFF	415001!	2096357 GMC	471787!
20728 C-R	416738!	207A CHEL	471267!	208633C1 IH	472642	2096367 GMC	471553!
20728 C-R	450096	207VB7 MARI	416865!	208633C1 ROCKW	472642*	20965 C-R	40973S*
20729 C-R	416738!	208 BUSHH	6906S	208711 ALLCH	473197	2096658 GMC	472164!
20729 C-R	450096	208 C-R	5111	208714 ALLCH	473197	2096RC SUL	473242
2073 ALOY	3747	208 C-R	5111S	208742 CLARK	472636!	2097 CHEL	472164!
20730 GARLK	470590	208 ROCKW	5452	208746 WILYS	5585\$	20975 C-R	40973S
2073173 FLXIB	370036A	208 SEAMA	455375=	208748 WILYS	5585\$	20977 CONTI	240007=
2073173 GMC	370036A	208 UNIVE	415449!	208763 CLARK	6241S	209778 CLARK	415483!
2073173 GMC	370349A	208069 CUMMI	417621	208788 CLARK	415995!	209788 CLARK	415995!
20731A C-R	415483!	20807 FULLE	713750	2088 ALOY	4072	2098 CHEL	473228
20735 C-R	80313	20807 SIDEW	471870!	208814 HYST	415090	2098550 GMC	417344!
2073613 GMC	471271!	20809D IH	416921!	208821R91 IH	417082	2098753 GMC	418028
2074 SEAMA	55367=	2081 ALOY	3677	2089 ALOY	224820	2098753 GMC	455137!
20741 C-R	450313	2081 TIMKE	2081	2089A JOY	471785!	209907 WILYS	471787
207418 CLARK	340771	20811207 TROS	1077=	208986 H-S	470530!	209979 CLARK	473463
20742 C-R	450313	20811605 TROS	1070=	208A CHEL	471466!	2099RC SUL	470334!
2074449 GMC	417507	20811607 TROS	471795	208VB7 MARI	455079!	209VB7 MARI	415302
2074449 GMC	417507!	20812007 TROS	473211!	209 C-R	5112	20A500 LAVIN	40526S
2074702 GMC	416107!	20812404 TROS	455576!	209 C-R	5112S	20H1160 MINNM	204002
2074702 GMC	455073	20812405 TROS	471192	209 UNIVE	415988*	20J OSHKO	473367!
2074786 GMC	472354!	20812406 TROS	471192	2090 ALOY	9316	20J OSHKO	473367
20748 C-R	450313	20812407 TROS	471192	2090146 GMC	370023A	20RL204 CONTI	470530!
207483 CLARK	470565!	20812410 TROS	471192	2090539 GMC	240435	20RL294 CONTI	470530!
20749 C-R	450313*	20812807 TROS	473224!	20906 C-R	710175	20RL294 KEN	470530!
20750 C-R	450532	20813207 TROS	473227	20907D IH	450593!	20X28X6SC TRSCM	20X28X6
20752 C-R	450343	20814004 TROS	481181!	209090 HYST	471504	20X28X6TC TRSCM	20X28X6
207523 CINMI	415124	208147 ALLCH	473197	2091 STEM	370106A	20X30X5A ISP	20X30X5

! Industrial Size/Type * Minor Width Difference \$F-M Number Is Part Of A Kit = Call 1-800-480-1212 for price and delivery.

NUMERICAL

Zero Duplication or Recommended Industrial		Zero Duplication or Recommended Industrial		Zero Duplication or Recommended Industrial		Zero Duplication or Recommended Industrial		
Mfr. No.	Name	Mfr. No.	Name	Mfr. No.	Name	Mfr. No.	Name	
20X30X7SC	TRSCM	20X30X7	2101688 FMC	240735	210712 BENDI	471766!	21086-2235 GARLK	417172*
20X30X7TC	TRSCM	20X30X7	2102 ALOY	4302	21072 C-R	450639*	21086-2236 GARLK	417172*
20X32X7SC	TRSCM	20X32X7	21020 GARLK	471649!	2107282 CLARK	472660	21086-2237 GARLK	416297*
20X32X7TB	TRSCM	20X32X7	2102101X GRAM	410308!	21073 C-R	470898	21086-2246 GARLK	415021
20X32X7TC	TRSCM	20X32X7	21024015A HARWA	210X240X15	2107356 CLARK	370149A*	21086-2247 GARLK	415021*
20X35X7 NATL		1963	21025015A HARWA	210X250X15	2107358 CLARK	370166A*	21086-2248 GARLK	415021*
20X35X7SB	TRSCM	20X35X7!	210256 ALLCH	45013S	210737 EATON	416654	21086-2249 GARLK	456105*
20X35X7SC	TRSCM	20X35X7!	21028 GARLK	471689!	2107379 CL-HU	417545=	21086-2250 GARLK	456105*
20X35X7TC	TRSCM	20X35X7!	210295 TIMKE	472144	210737R91 IH	472409!	21086-2251 GARLK	456105
20X36X7SC	TRSCM	20X36X7	2102985X GRAM	471785!	210738R91 IH	415007	21086-2252 GARLK	417490*
20X36X7TC	TRSCM	20X36X7	2102986X GRAM	471835!	21074 C-R	470898	21086-2253 GARLK	417490*
20X37X7ASN(32)	ISP	20X37X7	2102987X GRAM	471141!	21075 C-R	470898	21086-2254 GARLK	417490
20X37X8 SIMRT		20X37X8	2102SK SPG	2102	21076 C-R	450639	21086-2255 GARLK	455336*
20X37X8SC	TRSCM	20X37X8	2103 ALOY	1177	2107639 GRAM	471391!	21086-2256 GARLK	455336*
20X37X8TC	TRSCM	20X37X8	21030 GARLK	471689!	2107640 GRAM	473463	21086-2257 GARLK	455336*
20X38X7SC	TRSCM	20X38X7	2103027X GRAM	473227	2107642 GRAM	471141!	21086-2260 GARLK	6358
20X38X7TC	TRSCM	20X38X7	2103074X GRAM	471192	2107643 GRAM	450463	21086-2261 GARLK	417490
20X40X10SC	TRSCM	20X40X10	2103075X GRAM	473228!	2107662 CLARK	415076* =	21086-2267 GARLK	455022*
20X40X10TC	TRSCM	20X40X10	2103076X GRAM	480491	2107687 GRAM	471766!	21086-2268 GARLK	455022*
20X40X7SC	TRSCM	20X40X7	2103078X GRAM	472179	21077 US-EL	413248	21086-2269 GARLK	455022*
20X40X7TC	TRSCM	20X40X7	2103080X GRAM	240119	2107720 CLARK	4144V=	21086-2270 GARLK	476470
20X42X10SC	TRSCM	20X42X10	2103223X GRAM	415449!	21079 C-R	470898	21086-2271 GARLK	476470
20X42X10TC	TRSCM	20X42X10	2103224X GRAM	415302	2107RC SUL	416892!	21086-2272 GARLK	476470
20X42X7SC	TRSCM	20X42X7	2103226 GMC	415371	2108 HWY	417494	21086-2273 GARLK	417181!
20X42X7TC	TRSCM	20X42X7	2103226X GRAM	472636!	2108093 CLARK	417904N* =	21086-2274 GARLK	417181!*
20X47X7SC	TRSCM	20X47X7	2103227 GMC	416865!	21081005034 RENAU	713155	21086-2275 GARLK	417181!
20X47X7TC	TRSCM	20X47X7	210325 MICH	411394!	21082 C-R	470898*	21086-2276 GARLK	418028
20X52X7SC	TRSCM	20X52X7	210325 UNIVE	411394!	21082 C-R	470898	21086-2276 GARLK	455137!
20X52X7TC	TRSCM	20X52X7	21033 JOY	472492!	210834 CUMMI	472409	21086-2277 GARLK	418028
210 C-R	2297V+99599		210335 MICH	410694!	21084 C-R	470898*	21086-2277 GARLK	455137!
210 C-R	39807		210335 UNIVE	410694!*	2108446 CLARK	4353	21086-2278 GARLK	418028
210 C-R	39807+99599		210336 KOHL	470328	2108457 CLARK	370087A*	21086-2278 GARLK	455137!
210 UNIVE	415458!		210336 KOHL	481213!	21086 C-R	470898!	21086-2279 GARLK	417353!
21000707 GMC	324204		210350 MICH	416444	21086-2174 GARLK	415995!	21086-2280 GARLK	417353!*
21000708 GMC	327995		210350 UNIVE	416444	21086-2177 GARLK	417351!	21086-2281 GARLK	417353!*
21000708 GMC	4307V		210354 UNIVE	455647=	21086-2178 GARLK	417351!	21086-2282 GARLK	456305
21001111 GMC	714662		21036 EATON	713750	21086-2180 GARLK	417487	21086-2284 GARLK	416865!
21001532 GMC	718610		2103RC SUL	417316!	21086-2180 GARLK	417487!	21086-2288 GARLK	415023
21001660 GM	4615V		2104 ALOY	473238	21086-2181 GARLK	417487	21086-2289 GARLK	415023
21001662 GMC	714616		21040 C-R	2002	21086-2182 GARLK	417487	21086-2290 GARLK	415023
21002282 GM	4614N		21040 C-R	54X65X8!	21086-2183 GARLK	417488!	21086-2294 GARLK	455328*
21002283 GM	4613N		21040 GARLK	471733	21086-2184 GARLK	417488!*	21086-2295 GARLK	455328*
21002669 GM	4613N		21041 C-R	2002	21086-2185 GARLK	417488!	21086-2296 GARLK	455328*
21002670 GM	4613N		2104221 GMC	415371	21086-2186 GARLK	415088	21086-2298 GARLK	417491*
21002741 GM	4615V		2104222 GMC	416865!	21086-2187 GARLK	415088	21086-2299 GARLK	417491
21002778 GM	718610		210431 FWD	473238	21086-2187 GARLK	415088!	21086-2300 GARLK	415085!
21002853 GM	4701N=		21045 C-R	710073	21086-2188 GARLK	455019!	21086-2300 GARLK	456648
21002853 GMC	4701N=		21048 C-R	225410	21086-2189 GARLK	55548	21086-2306 GARLK	416313
21002872 GM	4613N		21050 C-R	6090S	21086-2195 GARLK	455820*	21086-2307 GARLK	416313*
21002872 GMC	4613N		2105042 GMC	472636!	21086-2198 GARLK	455019!*	21086-2308 GARLK	416313
21002873 GM	4614N		21051 HYST	471763	21086-2199 GARLK	455019!*	21086-2312 GARLK	455024
21002873 GMC	4614N		2105131 GMC	455151	21086-2200 GARLK	455019!*	21086-2313 GARLK	455024*
21003352 GM	4613N		21052 C-R	710239	21086-2201 GARLK	55155* =	21086-2314 GARLK	455024*
21003352 GMC	4613N		210544R91 IH	5406	21086-2202 GARLK	55155=	21086-2321 GARLK	412473!
21003354 GMC	4614N		21055 C-R	6090S	21086-2203 GARLK	55155* =	21086-2322 GARLK	412473!
210039 ALLCH	415449!		21059 C-R	473204*	21086-2204 GARLK	455015*	21086-2323 GARLK	412473!
21003902 ALLCH	415449!		21060 C-R	473204	21086-2205 GARLK	455015*	21086-2324 GARLK	417191
21003R1 IH	OK223		21061 C-R	473204	21086-2206 GARLK	455015	21086-2324 GARLK	455165!
21004 GARLK	471224!		2106108 CLARK	416422	21086-2210 GARLK	55141*	21086-2325 GARLK	417191
21004 US-EL	470712!		210612 CLARK	471271!	21086-2211 GARLK	55141*	21086-2325 GARLK	455165!
210063 GMC	472924!		210616 FWD	471649!	21086-2212 GARLK	55141*	21086-2326 GARLK	417191
21007 US-EL	472185!		21063 C-R	473204	21086-2222 GARLK	455020*	21086-2326 GARLK	455165!
2100863 GMC	415960		21064 C-R	471950	21086-2225 GARLK	417621!	21086-2327 GARLK	417354!*
2100864 GMC	411253!		21065 C-R	41013S	21086-2226 GARLK	417621!	21086-2328 GARLK	417354!*
210098 WAYNE	455336		2106680 CLARK	417544* =	21086-2227 GARLK	417621!	21086-2329 GARLK	417354!
21009B WAYNE	455336		2106808 CLARK	416112N=	21086-2228 GARLK	416288!	21086-2330 GARLK	416321
21010 C-R	410308!		2106846 CLARK	JV1999=	21086-2229 GARLK	416288!*	21086-2336 GARLK	415025
210107 HYST	473458!		2106850 CLARK	417545	21086-2230 GARLK	416288!*	21086-2337 GARLK	415025*
210108 HYST	471689!		21069 C-R	5589\$	21086-2231 GARLK	417171!	21086-2338 GARLK	415025*
210124 WAYNE	473448		2106900 CLARK	710024	21086-2232 GARLK	417171!*	21086-2342 GARLK	416327
21014 WOODB	471730		21070 C-R	5589	21086-2233 GARLK	417171!	21086-2345 GARLK	417492*
21015 VICK	471787!		2107025 CLARK	370038A*	21086-2234 GARLK	417172*	21086-2346 GARLK	417492*

! Industrial Size/Type * Minor Width Difference \$F-M Number Is Part Of A Kit = Call 1-800-480-1212 for price and delivery.

Zero Duplication or Recommended		Zero Duplication or Recommended		Zero Duplication or Recommended		Zero Duplication or Recommended	
Mfr. No.	Name	Mfr. No.	Name	Mfr. No.	Name	Mfr. No.	Name
21086-2347	GARLK	21086-2449	GARLK	21086-2542	GARLK	21086-2664	GARLK
21086-2348	GARLK	21086-2450	GARLK	21086-2542	GARLK	21086-2665	GARLK
21086-2349	GARLK	21086-2453	GARLK	21086-2543	GARLK	21086-2666	GARLK
21086-2350	GARLK	21086-2454	GARLK	21086-2543	GARLK	21086-2669	GARLK
21086-2354	GARLK	21086-2455	GARLK	21086-2544	GARLK	21086-2670	GARLK
21086-2355	GARLK	21086-2459	GARLK	21086-2544	GARLK	21086-2671	GARLK
21086-2356	GARLK	21086-2462	GARLK	21086-2545	GARLK	21086-2675	GARLK
21086-2357	GARLK	21086-2462	GARLK	21086-2546	GARLK	21086-2676	GARLK
21086-2358	GARLK	21086-2463	GARLK	21086-2547	GARLK	21086-2677	GARLK
21086-2359	GARLK	21086-2464	GARLK	21086-2548	GARLK	21086-2678	GARLK
21086-2363	GARLK	21086-2464	GARLK	21086-2549	GARLK	21086-2679	GARLK
21086-2364	GARLK	21086-2465	GARLK	21086-2550	GARLK	21086-2680	GARLK
21086-2365	GARLK	21086-2466	GARLK	21086-2551	GARLK	21086-2681	GARLK
21086-2366	GARLK	21086-2467	GARLK	21086-2552	GARLK	21086-2682	GARLK
21086-2366	GARLK	21086-2468	GARLK	21086-2553	GARLK	21086-2683	GARLK
21086-2367	GARLK	21086-2469	GARLK	21086-2554	GARLK	21086-2684	GARLK
21086-2367	GARLK	21086-2469	GARLK	21086-2555	GARLK	21086-2687	GARLK
21086-2368	GARLK	21086-2470	GARLK	21086-2556	GARLK	21086-2688	GARLK
21086-2368	GARLK	21086-2474	GARLK	21086-2557	GARLK	21086-2689	GARLK
21086-2369	GARLK	21086-2475	GARLK	21086-2561	GARLK	21086-2693	GARLK
21086-2370	GARLK	21086-2476	GARLK	21086-2562	GARLK	21086-2694	GARLK
21086-2371	GARLK	21086-2477	GARLK	21086-2563	GARLK	21086-2695	GARLK
21086-2372	GARLK	21086-2480	GARLK	21086-2567	GARLK	21086-2699	GARLK
21086-2373	GARLK	21086-2484	GARLK	21086-2568	GARLK	21086-2700	GARLK
21086-2373	GARLK	21086-2485	GARLK	21086-2569	GARLK	21086-2701	GARLK
21086-2374	GARLK	21086-2486	GARLK	21086-2573	GARLK	21086-2705	GARLK
21086-2374	GARLK	21086-2487	GARLK	21086-2574	GARLK	21086-2711	GARLK
21086-2375	GARLK	21086-2488	GARLK	21086-2575	GARLK	21086-2712	GARLK
21086-2376	GARLK	21086-2492	GARLK	21086-2579	GARLK	21086-2713	GARLK
21086-2377	GARLK	21086-2493	GARLK	21086-2580	GARLK	21086-2717	GARLK
21086-2378	GARLK	21086-2494	GARLK	21086-2581	GARLK	21086-2718	GARLK
21086-2379	GARLK	21086-2501	GARLK	21086-2600	GARLK	21086-2719	GARLK
21086-2379	GARLK	21086-2502	GARLK	21086-2601	GARLK	21086-2723	GARLK
21086-2380	GARLK	21086-2503	GARLK	21086-2602	GARLK	21086-2724	GARLK
21086-2381	GARLK	21086-2504	GARLK	21086-2603	GARLK	21086-2725	GARLK
21086-2382	GARLK	21086-2505	GARLK	21086-2604	GARLK	21086-2726	GARLK
21086-2383	GARLK	21086-2505	GARLK	21086-2605	GARLK	21086-2729	GARLK
21086-2384	GARLK	21086-2506	GARLK	21086-2609	GARLK	21086-2729	GARLK
21086-2385	GARLK	21086-2506	GARLK	21086-2610	GARLK	21086-2730	GARLK
21086-2386	GARLK	21086-2507	GARLK	21086-2611	GARLK	21086-2730	GARLK
21086-2390	GARLK	21086-2507	GARLK	21086-2615	GARLK	21086-2731	GARLK
21086-2391	GARLK	21086-2508	GARLK	21086-2616	GARLK	21086-2731	GARLK
21086-2392	GARLK	21086-2508	GARLK	21086-2617	GARLK	21086-2732	GARLK
21086-2393	GARLK	21086-2509	GARLK	21086-2621	GARLK	21086-2733	GARLK
21086-2394	GARLK	21086-2509	GARLK	21086-2622	GARLK	21086-2734	GARLK
21086-2395	GARLK	21086-2510	GARLK	21086-2623	GARLK	21086-2738	GARLK
21086-2396	GARLK	21086-2511	GARLK	21086-2627	GARLK	21086-2739	GARLK
21086-2397	GARLK	21086-2512	GARLK	21086-2628	GARLK	21086-2740	GARLK
21086-2398	GARLK	21086-2513	GARLK	21086-2629	GARLK	21086-2744	GARLK
21086-2399	GARLK	21086-2513	GARLK	21086-2630	GARLK	21086-2745	GARLK
21086-2400	GARLK	21086-2516	GARLK	21086-2631	GARLK	21086-2746	GARLK
21086-2401	GARLK	21086-2519	GARLK	21086-2632	GARLK	21086-2750	GARLK
21086-2402	GARLK	21086-2519	GARLK	21086-2636	GARLK	21086-2751	GARLK
21086-2417	GARLK	21086-2520	GARLK	21086-2637	GARLK	21086-2752	GARLK
21086-2418	GARLK	21086-2521	GARLK	21086-2638	GARLK	21086-2753	GARLK
21086-2419	GARLK	21086-2521	GARLK	21086-2642	GARLK	21086-2754	GARLK
21086-2420	GARLK	21086-2525	GARLK	21086-2643	GARLK	21086-2755	GARLK
21086-2421	GARLK	21086-2527	GARLK	21086-2644	GARLK	21086-2756	GARLK
21086-2422	GARLK	21086-2528	GARLK	21086-2648	GARLK	21086-2757	GARLK
21086-2423	GARLK	21086-2529	GARLK	21086-2654	GARLK	21086-2758	GARLK
21086-2424	GARLK	21086-2530	GARLK	21086-2655	GARLK	21086-2759	GARLK
21086-2425	GARLK	21086-2531	GARLK	21086-2656	GARLK	21086-2760	GARLK
21086-2426	GARLK	21086-2532	GARLK	21086-2657	GARLK	21086-2761	GARLK
21086-2427	GARLK	21086-2533	GARLK	21086-2657	GARLK	21086-2762	GARLK
21086-2428	GARLK	21086-2537	GARLK	21086-2658	GARLK	21086-2765	GARLK
21086-2432	GARLK	21086-2538	GARLK	21086-2658	GARLK	21086-2766	GARLK
21086-2435	GARLK	21086-2538	GARLK	21086-2659	GARLK	21086-2767	GARLK
21086-2441	GARLK	21086-2539	GARLK	21086-2659	GARLK	21086-2768	GARLK
21086-2442	GARLK	21086-2540	GARLK	21086-2660	GARLK	21086-2769	GARLK
21086-2443	GARLK	21086-2540	GARLK	21086-2661	GARLK	21086-2770	GARLK
21086-2447	GARLK	21086-2541	GARLK	21086-2662	GARLK	21086-2771	GARLK
21086-2448	GARLK	21086-2541	GARLK	21086-2663	GARLK	21086-2772	GARLK

! Industrial Size/Type * Minor Width Difference = Call 1-800-480-1212 for price and delivery.

NUMERICAL

Zero Duplication or Recommended Industrial		Zero Duplication or Recommended Industrial		Zero Duplication or Recommended Industrial		Zero Duplication or Recommended Industrial	
Mfr. No.	Name	Mfr. No.	Name	Mfr. No.	Name	Mfr. No.	Name
21086-2773	GARLK	21086-2905	GARLK	21086-3180	GARLK	21086-3417	GARLK
21086-2774	GARLK	21086-2915	GARLK	21086-3181	GARLK	21086-3418	GARLK
21086-2775	GARLK	21086-2916	GARLK	21086-3182	GARLK	21086-3419	GARLK
21086-2776	GARLK	21086-2917	GARLK	21086-3183	GARLK	21086-3420	GARLK
21086-2780	GARLK	21086-2918	GARLK	21086-3184	GARLK	21086-3421	GARLK
21086-2781	GARLK	21086-2921	GARLK	21086-3184	GARLK	21086-3422	GARLK
21086-2782	GARLK	21086-2922	GARLK	21086-3184	GARLK	21086-3423	GARLK
21086-2786	GARLK	21086-2923	GARLK	21086-3185	GARLK	21086-3424	GARLK
21086-2787	GARLK	21086-2924	GARLK	21086-3190	GARLK	21086-3426	GARLK
21086-2788	GARLK	21086-2926	GARLK	21086-3200	GARLK	21086-3427	GARLK
21086-2792	GARLK	21086-2927	GARLK	21086-3215	GARLK	21086-3434	GARLK
21086-2798	GARLK	21086-2928	GARLK	21086-3216	GARLK	21086-3435	GARLK
21086-2799	GARLK	21086-2929	GARLK	21086-3217	GARLK	21086-3444	GARLK
21086-2801	GARLK	21086-2933	GARLK	21086-3228	GARLK	21086-3445	GARLK
21086-2802	GARLK	21086-2934	GARLK	21086-3229	GARLK	21086-3460	GARLK
21086-2803	GARLK	21086-2935	GARLK	21086-3230	GARLK	21086-3461	GARLK
21086-2804	GARLK	21086-2936	GARLK	21086-3234	GARLK	21086-3464	GARLK
21086-2805	GARLK	21086-2937	GARLK	21086-3235	GARLK	21086-3465	GARLK
21086-2806	GARLK	21086-2938	GARLK	21086-3236	GARLK	21086-3474	GARLK
21086-2807	GARLK	21086-2941	GARLK	21086-3240	GARLK	21086-3482	GARLK
21086-2808	GARLK	21086-2951	GARLK	21086-3249	GARLK	21086-3483	GARLK
21086-2809	GARLK	21086-2960	GARLK	21086-3275	GARLK	21086-3492	GARLK
21086-2813	GARLK	21086-2961	GARLK	21086-3276	GARLK	21086-3493	GARLK
21086-2814	GARLK	21086-2962	GARLK	21086-3277	GARLK	21086-3496	GARLK
21086-2815	GARLK	21086-2990	GARLK	21086-3278	GARLK	21086-3497	GARLK
21086-2819	GARLK	21086-2992	GARLK	21086-3281	GARLK	21086-3500	GARLK
21086-2820	GARLK	21086-2993	GARLK	21086-3282	GARLK	21086-3501	GARLK
21086-2821	GARLK	21086-2996	GARLK	21086-3283	GARLK	21086-3504	GARLK
21086-2825	GARLK	21086-2997	GARLK	21086-3284	GARLK	21086-3505	GARLK
21086-2826	GARLK	21086-2998	GARLK	21086-3293	GARLK	21086-3514	GARLK
21086-2827	GARLK	21086-2999	GARLK	21086-3296	GARLK	21086-3515	GARLK
21086-2831	GARLK	21086-3000	GARLK	21086-3322	GARLK	21086-3518	GARLK
21086-2832	GARLK	21086-3001	GARLK	21086-3323	GARLK	21086-3519	GARLK
21086-2833	GARLK	21086-3030	GARLK	21086-3324	GARLK	21086-3526	GARLK
21086-2834	GARLK	21086-3032	GARLK	21086-3331	GARLK	21086-3527	GARLK
21086-2835	GARLK	21086-3033	GARLK	21086-3332	GARLK	21086-3536	GARLK
21086-2836	GARLK	21086-3034	GARLK	21086-3333	GARLK	21086-3537	GARLK
21086-2837	GARLK	21086-3059	GARLK	21086-3347	GARLK	21086-3538	GARLK
21086-2838	GARLK	21086-3060	GARLK	21086-3348	GARLK	21086-3539	GARLK
21086-2839	GARLK	21086-3061	GARLK	21086-3349	GARLK	21086-3544	GARLK
21086-2840	GARLK	21086-3062	GARLK	21086-3355	GARLK	21086-3545	GARLK
21086-2842	GARLK	21086-3065	GARLK	21086-3356	GARLK	21086-3552	GARLK
21086-2843	GARLK	21086-3065	GARLK	21086-3357	GARLK	21086-3553	GARLK
21086-2844	GARLK	21086-3066	GARLK	21086-3358	GARLK	21086-3557	GARLK
21086-2845	GARLK	21086-3066	GARLK	21086-3359	GARLK	21086-3558	GARLK
21086-2846	GARLK	21086-3067	GARLK	21086-3360	GARLK	21086-3566	GARLK
21086-2847	GARLK	21086-3067	GARLK	21086-3367	GARLK	21086-3567	GARLK
21086-2848	GARLK	21086-3068	GARLK	21086-3368	GARLK	21086-3574	GARLK
21086-2849	GARLK	21086-3070	GARLK	21086-3369	GARLK	21086-3578	GARLK
21086-2850	GARLK	21086-3071	GARLK	21086-3370	GARLK	21086-3579	GARLK
21086-2851	GARLK	21086-3095	GARLK	21086-3375	GARLK	21086-3582	GARLK
21086-2858	GARLK	21086-3096	GARLK	21086-3376	GARLK	21086-3583	GARLK
21086-2859	GARLK	21086-3097	GARLK	21086-3377	GARLK	21086-3588	GARLK
21086-2860	GARLK	21086-3122	GARLK	21086-3384	GARLK	21086-3589	GARLK
21086-2864	GARLK	21086-3123	GARLK	21086-3385	GARLK	21086-3593	GARLK
21086-2865	GARLK	21086-3124	GARLK	21086-3386	GARLK	21086-3596	GARLK
21086-2866	GARLK	21086-3125	GARLK	21086-3387	GARLK	21086-3597	GARLK
21086-2873	GARLK	21086-3126	GARLK	21086-3394	GARLK	21086-3600	GARLK
21086-2874	GARLK	21086-3127	GARLK	21086-3395	GARLK	21086-3601	GARLK
21086-2875	GARLK	21086-3128	GARLK	21086-3396	GARLK	21086-3602	GARLK
21086-2876	GARLK	21086-3129	GARLK	21086-3397	GARLK	21086-3607	GARLK
21086-2877	GARLK	21086-3130	GARLK	21086-3398	GARLK	21086-3609	GARLK
21086-2878	GARLK	21086-3131	GARLK	21086-3399	GARLK	21086-3610	GARLK
21086-2879	GARLK	21086-3132	GARLK	21086-3400	GARLK	21086-3611	GARLK
21086-2880	GARLK	21086-3133	GARLK	21086-3401	GARLK	21086-3613	GARLK
21086-2881	GARLK	21086-3155	GARLK	21086-3402	GARLK	21086-3614	GARLK
21086-2894	GARLK	21086-3156	GARLK	21086-3403	GARLK	21086-3615	GARLK
21086-2900	GARLK	21086-3157	GARLK	21086-3404	GARLK	21086-3617	GARLK
21086-2901	GARLK	21086-3176	GARLK	21086-3405	GARLK	21086-3618	GARLK
21086-2902	GARLK	21086-3177	GARLK	21086-3406	GARLK	21086-3619	GARLK
21086-2903	GARLK	21086-3178	GARLK	21086-3407	GARLK	21086-3623	GARLK
21086-2904	GARLK	21086-3179	GARLK	21086-3408	GARLK	21086-3624	GARLK

! Industrial Size/Type * Minor Width Difference = Call 1-800-480-1212 for price and delivery.

Zero Duplication or Recommended		Zero Duplication or Recommended		Zero Duplication or Recommended		Zero Duplication or Recommended	
Mfr. No.	Name	Mfr. No.	Name	Mfr. No.	Name	Mfr. No.	Name
21086-3627	GARLK	21086-6089R1	GARLK	21099	C-R	211-4588	ITM
21086-3633	GARLK	21086-6146R1	GARLK	2109BG	SPG	211-4588	ITM
21086-3634	GARLK	21086-6433	GARLK	210R	TIMKE	211-4609	ITM
21086-3646	GARLK	21086-6433F1	GARLK	210VB7	MARI	211-4746	ITM
21086-3648	GARLK	21086-6434R1	GARLK	210X240X15	SIMRT	211-4748	ITM
21086-3649	GARLK	21086-6435	GARLK	210X240X15SC	TRSCM	211-4765	ITM
21086-3652	GARLK	21086-6437F1	GARLK	210X240X15TC	TRSCM	211-4782	ITM
21086-3654	GARLK	21086-6484F1	GARLK	210X250X15	SIMRT	211-4785	ITM
21086-3655	GARLK	21086-6484F1	GARLK	211	C-R	211-4786	ITM
21086-3656	GARLK	21086-6590F1	GARLK	211	THIOK	211-4788	ITM
21086-3660	GARLK	21086-6603F1	GARLK	211	UNIVE	211-4795	ITM
21086-3662	GARLK	21086-6661F1	GARLK	211-1013	ITM	211-4978	ITM
21086-3670	GARLK	21086-6711R1	GARLK	211-1015	ITM	211-5016	ITM
21086-3673	GARLK	21086-6760F1	GARLK	211-1016	ITM	211-6126	ITM
21086-3676	GARLK	21086-6872R1	GARLK	211-1018	ITM	211-6131	ITM
21086-3677	GARLK	21086-6891F1	GARLK	211-1029	ITM	211-6139	ITM
21086-3680	GARLK	21086-6920F1	GARLK	211-1033	ITM	211-6140	ITM
21086-3687	GARLK	21086-6978F1	GARLK	211-1034	ITM	211-6149	ITM
21086-3688	GARLK	21086-7115F1	GARLK	211-1039	ITM	211-6158	ITM
21086-3689	GARLK	21086-7115F1	GARLK	211-1040	ITM	211-6174	ITM
21086-3694	GARLK	21086-7151F1	GARLK	211-1041	ITM	211-6178	ITM
21086-3705	GARLK	21086-7155F1	GARLK	211-1044	ITM	211-6188	ITM
21086-3737	GARLK	21086-7233F1	GARLK	211-1047	ITM	211-6193	ITM
21086-3775	GARLK	21086-7289F1	GARLK	211-1051	ITM	211-6232	ITM
21086-3924	GARLK	21086-7402F1	GARLK	211-1052	ITM	211-6301	ITM
21086-3925	GARLK	21086-7433F1	GARLK	211-1055	ITM	211-6302	ITM
21086-3932	GARLK	21086-7433R1	GARLK	211-1577	ITM	211-6305	ITM
21086-3937	GARLK	21086-7436F1	GARLK	211-2142	ITM	211-6318	ITM
21086-3945	GARLK	21086-7448F1	GARLK	211-2171	ITM	211-6319	ITM
21086-3949	GARLK	21086-7670F1	GARLK	211-2392	ITM	211-6325	ITM
21086-3951	GARLK	21086-7670F1	GARLK	211-2410	ITM	211-6330	ITM
21086-3954	GARLK	21086-7673F1	GARLK	211-2491	ITM	211-6332	ITM
21086-3965	GARLK	21086-7686F1	GARLK	211-2494	ITM	211-6360	ITM
21086-3967	GARLK	21086-7880F1	GARLK	211-2625	ITM	211-6369	ITM
21086-3975	GARLK	21086-7880F1	GARLK	211-2696	ITM	211-6375	ITM
21086-3984	GARLK	21086-7909F1	GARLK	211-2767	ITM	211-6377	ITM
21086-3989	GARLK	21086-7953	GARLK	211-2787	ITM	211-6378	ITM
21086-3996	GARLK	21086-7973	GARLK	211-2871	ITM	211-6430	ITM
21086-3998	GARLK	21086-8149F1	GARLK	211-3130	ITM	211-6432	ITM
21086-4016	GARLK	21086-8216F1	GARLK	211-3131	ITM	211-6441	ITM
21086-4030	GARLK	21086-8306F1	GARLK	211-3133	ITM	211-6454	ITM
21086-4057	GARLK	21086-8311F1	GARLK	211-3141	ITM	211-6465	ITM
21086-4058	GARLK	21086-8319F1	GARLK	211-3154	ITM	211-6466	ITM
21086-4059	GARLK	21086-8531F1	GARLK	211-3156	ITM	211-6471	ITM
21086-4062	GARLK	21086-8663R1	GARLK	211-3233	ITM	211-6472	ITM
21086-4184	GARLK	21086-8683F1	GARLK	211-3242	ITM	211-6500	ITM
21086-4502	GARLK	21086-8932R1	GARLK	211-3285	ITM	211-6512	ITM
21086-4503	GARLK	21086-8996F1	GARLK	211-3331	ITM	211-6525	ITM
21086-4503	GARLK	21086-9209F1	GARLK	211-3447	ITM	211-6532	ITM
21086-4505	GARLK	21086-9347F1	GARLK	211-3491	ITM	211-6534	ITM
21086-4506	GARLK	21086-9401R1	GARLK	211-3494	ITM	211-6535	ITM
21086-4507	GARLK	21086-9664R1	GARLK	211-3496	ITM	211-6536	ITM
21086-4515	GARLK	21086-9724	GARLK	211-3498	ITM	211-6538	ITM
21086-4517	GARLK	21086-9780	GARLK	211-3507	ITM	211-6586	ITM
21086-4526	GARLK	210862192	GARLK	211-3509	ITM	211-6599	ITM
21086-4587	GARLK	21087	C-R	211-3511	ITM	211-6671	ITM
21086-4929R1	GARLK	2108730	CLARK	211-3580	ITM	211-7200	ITM
21086-4966F1	GARLK	21088	C-R	211-3640	ITM	211-7201	ITM
21086-4991R1	GARLK	2108BG	SPG	211-3655	ITM	211-7506	ITM
21086-5049R1	GARLK	21091	C-R	211-3772	ITM	211-7507	ITM
21086-5201F1	GARLK	21092	C-R	211-3835	ITM	211-7513	ITM
21086-5280F1	GARLK	21093	C-R	211-3952	ITM	211-7521	ITM
21086-5319F1	GARLK	210945	TIMKE	211-3971	ITM	211-7529	ITM
21086-5332F1	GARLK	2109451	GRAM	211-3996	ITM	211-7530	ITM
21086-5492F1	GARLK	2109451	GRAM	211-405-641B	VW	211-7539	ITM
21086-5512F1	GARLK	21095	C-R	211-405-641D	VW	211-7540	ITM
21086-5512F1	GARLK	21095	C-R	211-4070	ITM	211-7547	ITM
21086-5646F1	GARLK	21096	C-R	211-4152	ITM	211-7548	ITM
21086-5683F1	GARLK	2109665	CLARK	211-4531	ITM	211-7550	ITM
21086-5831F1	GARLK	21097	C-R	211-4535	ITM	211-7599	ITM
21086-5923F1	GARLK	210972	CUMMI	211-4555	ITM	211-7628	ITM
21086-5949R1	GARLK	21098	C-R	211-4576	ITM	211-7649	ITM

! Industrial Size/Type * Minor Width Difference = Call 1-800-480-1212 for price and delivery.

NUMERICAL

Zero Duplication or Recommended Industrial		Zero Duplication or Recommended Industrial		Zero Duplication or Recommended Industrial		Zero Duplication or Recommended Industrial			
Mfr. No.	Name	Mfr. No.	Name	Mfr. No.	Name	Mfr. No.	Name		
211-7650	ITM	5750	21120 C-R	470898!	2114781 ITM	38X58X8!	21158-0177	GARLK	471231!
211-7673	ITM	3395!	21121 C-R	42101S	2114784 ITM	223840	21158-0178	GARLK	471231!
211-7688	ITM	1906	2112199 ITM	224820	2114784 ITM	38X58X8!	21158-0179	GARLK	474253!
211-7690	ITM	1906	2112199 ITM	48X62X8!	2114789 ITM	1180	21158-0180	GARLK	474253!
211-7692	ITM	1952	21122 C-R	473467!	2114789 ITM	41X55X7!	21158-0181	GARLK	450588!
211-7718	ITM	3395!	2112202 ITM	1994	2114797 ITM	55X82X12!	21158-0183	GARLK	471645
211-7774	ITM	223535	2112202 ITM	48X70X9!	2114799 ITM	224560	21158-0185	GARLK	471686
211-7903	ITM	1943	21123 C-R	473467!	2114799 ITM	45X68X7!	21158-0187	GARLK	473412*
211-7904	ITM	3476	2112328 ITM	1174	2114802 ITM	223542	21158-0189	GARLK	471729*
211-7915	ITM	227410	2112328 ITM	38X52X8.5!	2114802 ITM	35X55X11!	21158-0193	GARLK	472452
211-7916	ITM	3771	2112398 ITM	471192	21149 C-R	472015!	21158-0195	GARLK	473414*
211-7917	ITM	3771	21125 C-R	473467!	21149 LAU	481443!	21158-0199	GARLK	473414*
211-7923	ITM	1984	21125 UNIVE	481537	2114949 ITM	1214	21158-0203	GARLK	473415*
211-7950	ITM	1165	211253 CUMMI	39807	2114949 ITM	1214N	21158-0204	GARLK	473415
211-7951	ITM	1217	21126 C-R	42101S	2114954 ITM	224015	21158-0213	GARLK	471267!
211-7954	ITM	1962	21128 GARLK	470712!	2114954 ITM	40X52X7!	21158-0215	GARLK	471570!
211-7956	ITM	473812	21131 C-R	473467!	21150 C-R	472015!	21158-0216	GARLK	471570!*
211-7957	ITM	473179!	21133 C-R	473467	211501317 VW	1208	21158-0217	GARLK	471633!*
211-7959	ITM	1959	211334 ALLCH	472258!	211501317 VW	48X72X7!	21158-0218	GARLK	471633!
211-7962	ITM	1952	211335 ALLCH	414268!	211501317A VW	1208	21158-0219	GARLK	471646!
211-7964	ITM	473367	21134 C-R	473467*	211501317A VW	48X72X7!	21158-0221	GARLK	470590*
211-7967	ITM	1960	21134 C-R	473467!	2115015 GMC	472636!	21158-0222	GARLK	470590
211-7970	ITM	1959	2113470 ITM	224045	21151 LAU	450040	21158-0223	GARLK	471137*
211-7972	ITM	1974	2113470 ITM	40X62X12!	2115265 GMC	418028	21158-0224	GARLK	471137
211-7976	ITM	473238!	2113485 ITM	226020	2115265 GMC	455137!	21158-0225	GARLK	471730*
211-7987	ITM	1996	2113485 ITM	60X80X8!	2115266 GMC	472636!	21158-0226	GARLK	471730
211-7989	ITM	482126	2113487 ITM	224045	21153 LAU	451583!	21158-0227	GARLK	481741=
211-7994	ITM	3771	2113487 ITM	40X62X12!	21154 LAU	480210!	21158-0228	GARLK	481741=
211-8135	ITM	223035	211351 CLARK	417273	21155 LAU	471255!	21158-0229	GARLK	470645*
211-8284	ITM	225082	2113560 ITM	239146	21156 C-R	472015!	21158-0237	GARLK	482371=
21100 C-R	470898	2113560 ITM	38X54X7!	473467*	21158 C-R	472015!*	21158-0241	GARLK	450038*
21101 C-R	40566S	21136 C-R	473467*	473467	21158-0005 GARLK	350364	21158-0251	GARLK	471571
2110147 GRAM	471224!	21136 C-R	473467	481073	21158-0101 GARLK	481073	21158-0252	GARLK	471571*
211017 TW-DI	472397!	21137 MICH	481073	481073*	21158-0102 GARLK	481073*	21158-0255	GARLK	471647*
21103 C-R	470898!	21137 UNIVE	481073*	481397*	21158-0105 GARLK	481397*	21158-0256	GARLK	471647*
211035 WOOL	480630!	21138 GARLK	471763	481397	21158-0106 GARLK	481397	21158-0257	GARLK	472951
2110456 CLARK	417544	2113842 ITM	222510	471529	21158-0109 GARLK	471529	21158-0257	GARLK	474252
21105 C-R	470898!	2113842 ITM	25X35X7!	471529	21158-0110 GARLK	471529	21158-0258	GARLK	472951
2110554 GRAM	471281!	2113909 ITM	471705!	471538!*	21158-0111 GARLK	471538!*	21158-0258	GARLK	474252
21106 C-R	470898!	2113933 ITM	224820	471538!	21158-0112 GARLK	471538!	21158-0259	GARLK	450039*
21107 C-R	470898!	2113933 ITM	48X62X8!	471553!	21158-0113 GARLK	471553!	21158-0260	GARLK	450039
21108 C-R	470898	2113973 ITM	224520	471553!	21158-0114 GARLK	471553!	21158-0261	GARLK	450039
2110RC SUL	416892!	2113973 ITM	45X60X10!	471579	21158-0115 GARLK	471579	21158-0269	GARLK	451583!
21110 C-R	9599S	2113974 ITM	1973	471579*	21158-0116 GARLK	471579*	21158-0270	GARLK	451583!
2111019 ITM	1955	2113974 ITM	48X65X10!	471642	21158-0119 GARLK	471642	21158-0271	GARLK	450545*
2111019 ITM	52X65X9!	2113975 ITM	227040	50026*	21158-0124 GARLK	50026*	21158-0273	GARLK	471648*
2111020 ITM	1955	2113975 ITM	70X90X10!	471554!	21158-0142 GARLK	471554!	21158-0274	GARLK	471648*
2111020 ITM	52X65X9!	211401 ALLCH	471466!	471567!	21158-0143 GARLK	471567!	21158-0275	GARLK	471688
2111022 ITM	225110	21141 C-R	473467!	471567!	21158-0144 GARLK	471567!	21158-0276	GARLK	471688
2111022 ITM	51X65X7!	211416 CINMI	473228	471498*	21158-0145 GARLK	471498*	21158-0277	GARLK	450040*
2111035 WOOL	455310	21144 C-R	473467	471498	21158-0146 GARLK	471498	21158-0278	GARLK	450040
2111042 ITM	222510	211441 BRCWY	470530!	471643!	21158-0147 GARLK	471643!	21158-0279	GARLK	451082*
2111042 ITM	25X35X7!	2114521 ITM	440131!	471684!	21158-0149 GARLK	471684!	21158-0285	GARLK	450339*
2111077 ITM	1213N	2114530 ITM	224820	471684!	21158-0150 GARLK	471684!	21158-0286	GARLK	450339
21111 C-R	2457	2114530 ITM	48X62X8!	450033*	21158-0151 GARLK	450033*	21158-0288	GARLK	471224!
211110 C-R	473421	2114532 ITM	224045	450033	21158-0152 GARLK	450033	21158-0289	GARLK	473380*
211111 C-R	473435	2114532 ITM	40X62X12!	470390*	21158-0153 GARLK	470390*	21158-0290	GARLK	473380
211112 BENDI	415960!	2114533 ITM	223542	473407*	21158-0155 GARLK	473407*	21158-0291	GARLK	471649!
211112 C-R	472287!	2114533 ITM	35X55X11!	473407	21158-0156 GARLK	473407	21158-0292	GARLK	471649!
21112 C-R	453066	2114536 ITM	223555	470601	21158-0157 GARLK	470601	21158-0293	GARLK	471689!
21112 C-R	470898!	2114536 ITM	35X64X8!	470601	21158-0158 GARLK	470601	21158-0295	GARLK	450593*
21113 C-R	6626S	2114583 ITM	33X50X12!	481443!	21158-0159 GARLK	481443!	21158-0295	GARLK	450593!*
21113 GARLK	471652	2114618 GMC	472179	481443!*	21158-0160 GARLK	481443!*	21158-0297	GARLK	471733*
211132C92 IH	HU066A	2114646 ITM	1012	481568!	21158-0161 GARLK	481568!	21158-0298	GARLK	471733
2111398X GRAM	471763	2114646 ITM	1012N	481443!	21158-0162 GARLK	481443!	21158-0299	GARLK	471744!*
21114 GWI	473016!	2114747 ITM	224045	481644	21158-0165 GARLK	481644	21158-0300	GARLK	471744!
211163 US-EL	416404!	2114747 ITM	40X62X12!	481644*	21158-0166 GARLK	481644*	21158-0301	GARLK	471760*
211166 ALLCH	450984	2114777 ITM	2001	471337	21158-0167 GARLK	471337	21158-0302	GARLK	471760
21117 C-R	450177	2114777 ITM	60X82X12!	451739=	21158-0171 GARLK	451739=	21158-0303	GARLK	471619!
21117 GARLK	471692!	2114780 ITM	223240	451739=	21158-0172 GARLK	451739=	21158-0304	GARLK	471619!
21118 C-R	450177	2114780 ITM	32X48X8!	471539!	21158-0175 GARLK	471539!	21158-0305	GARLK	471076
21119 C-R	473421	2114781 ITM	223840	471539!	21158-0176 GARLK	471539!	21158-0306	GARLK	471076

! Industrial Size/Type * Minor Width Difference = Call 1-800-480-1212 for price and delivery.

Zero Duplication or Recommended		Zero Duplication or Recommended		Zero Duplication or Recommended		Zero Duplication or Recommended	
Mfr. No.	Name	Mfr. No.	Name	Mfr. No.	Name	Mfr. No.	Name
21158-0307	GARLK 481650	21158-0539	GARLK 472287!*	21158-0723	GARLK 473441	21158-0909	GARLK 472185!
21158-0308	GARLK 481650*	21158-0544	GARLK 473214!	21158-0724	GARLK 450273	21158-0910	GARLK 470334!
21158-0323	GARLK 471651	21158-0545	GARLK 473214!	21158-0733	GARLK 450065*	21158-0911	GARLK 470334!
21158-0324	GARLK 471651*	21158-0546	GARLK 473214!	21158-0734	GARLK 450065	21158-0912	GARLK 470334!
21158-0325	GARLK 471705!	21158-0547	GARLK 473215!*	21158-0739	GARLK 482253*	21158-0913	GARLK 472179
21158-0326	GARLK 471705!	21158-0548	GARLK 473215!*	21158-0742	GARLK 451469*	21158-0914	GARLK 472179
21158-0327	GARLK 473419	21158-0549	GARLK 473215!	21158-0744	GARLK 451469	21158-0915	GARLK 472179
21158-0328	GARLK 473419	21158-0550	GARLK 470950!	21158-0751	GARLK 450274	21158-0916	GARLK 473447
21158-0329	GARLK 471735*	21158-0550	GARLK 6241S	21158-0760	GARLK 473231	21158-0918	GARLK 473447
21158-0330	GARLK 471735	21158-0551	GARLK 470950!	21158-0761	GARLK 473231	21158-0919	GARLK 470334!
21158-0331	GARLK 450342	21158-0551	GARLK 6241S	21158-0762	GARLK 473231	21158-0919	GARLK 50289
21158-0333	GARLK 471762!	21158-0552	GARLK 470950!	21158-0763	GARLK 473367	21158-0921	GARLK 470334!
21158-0334	GARLK 471762!	21158-0552	GARLK 6241S	21158-0763	GARLK 473367!	21158-0921	GARLK 50289
21158-0335	GARLK 473420*	21158-0556	GARLK 471835!	21158-0764	GARLK 473367!	21158-0922	GARLK 471141!
21158-0336	GARLK 473420	21158-0557	GARLK 471835!	21158-0764	GARLK 473367	21158-0923	GARLK 471141!
21158-0341	GARLK 450044*	21158-0559	GARLK 472843*	21158-0765	GARLK 473367!	21158-0924	GARLK 471141!
21158-0347	GARLK 450159*	21158-0566	GARLK 50126	21158-0765	GARLK 473367	21158-0925	GARLK 473448
21158-0353	GARLK 471692!	21158-0574	GARLK 50254 =	21158-0769	GARLK 473010	21158-0927	GARLK 473448
21158-0354	GARLK 471692!	21158-0592	GARLK 473224!*	21158-0771	GARLK 473010	21158-0928	GARLK 471984*
21158-0355	GARLK 476838!	21158-0593	GARLK 473224!*	21158-0772	GARLK 473232	21158-0930	GARLK 471984
21158-0356	GARLK 476838!	21158-0594	GARLK 473224!*	21158-0774	GARLK 473232	21158-0931	GARLK 473313
21158-0359	GARLK 471763*	21158-0595	GARLK 473016!*	21158-0775	GARLK 481864	21158-0933	GARLK 473313
21158-0360	GARLK 471763	21158-0596	GARLK 473016!*	21158-0777	GARLK 481864	21158-0940	GARLK 50266*
21158-0363	GARLK 471736	21158-0597	GARLK 473016!	21158-0781	GARLK 450275	21158-0943	GARLK 450269*
21158-0365	GARLK 473428*	21158-0599	GARLK 473225!*	21158-0782	GARLK 450275	21158-0946	GARLK 450285*
21158-0367	GARLK 471764!	21158-0600	GARLK 473225!	21158-0783	GARLK 450275	21158-0949	GARLK 471866!*
21158-0369	GARLK 473427*	21158-0601	GARLK 474264	21158-0787	GARLK 473444	21158-0951	GARLK 471866!
21158-0370	GARLK 473427	21158-0602	GARLK 474264	21158-0788	GARLK 473444	21158-0958	GARLK 473448*
21158-0374	GARLK 450362*	21158-0603	GARLK 474264	21158-0789	GARLK 473444	21158-0961	GARLK 471984*
21158-0377	GARLK 450600 =	21158-0607	GARLK 473226*	21158-0790	GARLK 473231	21158-0964	GARLK 473313
21158-0383	GARLK 472475*	21158-0608	GARLK 473226*	21158-0792	GARLK 473231	21158-0976	GARLK 472070*
21158-0384	GARLK 472475	21158-0609	GARLK 473226	21158-0793	GARLK 473367!	21158-0978	GARLK 472070
21158-0385	GARLK 473426*	21158-0610	GARLK 473437*	21158-0793	GARLK 473367	21158-0979	GARLK 471866!
21158-0386	GARLK 473426	21158-0612	GARLK 473437	21158-0799	GARLK 450260*	21158-0982	GARLK 473449
21158-0389	GARLK 471354!*	21158-0613	GARLK 471862	21158-0805	GARLK 450073*	21158-0984	GARLK 473449
21158-0390	GARLK 471354!	21158-0615	GARLK 471862	21158-0808	GARLK 450284 =	21158-0987	GARLK 480281!
21158-0403	GARLK 450048*	21158-0619	GARLK 473438*	21158-0810	GARLK 450284 =	21158-0988	GARLK 450269*
21158-0405	GARLK 450173*	21158-0621	GARLK 473438	21158-0820	GARLK 450415*	21158-0991	GARLK 473450
21158-0427	GARLK 471766!	21158-0622	GARLK 473439!*	21158-0826	GARLK 473233!	21158-1003	GARLK 451993 =
21158-0428	GARLK 471766!	21158-0624	GARLK 473439!*	21158-0827	GARLK 473233!	21158-1005	GARLK 451993 =
21158-0433	GARLK 450177*	21158-0643	GARLK 470625!	21158-0828	GARLK 473233!	21158-1006	GARLK 473451!*
21158-0442	GARLK 471808!*	21158-0644	GARLK 470625!	21158-0829	GARLK 473445*	21158-1012	GARLK 473452
21158-0443	GARLK 471808!*	21158-0645	GARLK 470625!	21158-0835	GARLK 473234	21158-1021	GARLK 473453
21158-0444	GARLK 471808!	21158-0649	GARLK 471820*	21158-0836	GARLK 473234	21158-1023	GARLK 473453*
21158-0445	GARLK 471818*	21158-0650	GARLK 471820*	21158-0837	GARLK 473234	21158-1042	GARLK 472439*
21158-0446	GARLK 471818*	21158-0655	GARLK 473228	21158-0838	GARLK 473235!*	21158-1043	GARLK 472439*
21158-0447	GARLK 471818*	21158-0656	GARLK 473228	21158-0840	GARLK 473235!	21158-1044	GARLK 472439
21158-0448	GARLK 470050*	21158-0657	GARLK 473228	21158-0841	GARLK 474265	21158-1045	GARLK 471868
21158-0451	GARLK 473424!*	21158-0658	GARLK 451857*	21158-0842	GARLK 474265	21158-1047	GARLK 471868
21158-0454	GARLK 450124 =	21158-0659	GARLK 451857*	21158-0843	GARLK 474265	21158-1048	GARLK 472572!
21158-0482	GARLK 473210	21158-0660	GARLK 451857	21158-0844	GARLK 473236!*	21158-1050	GARLK 472572!
21158-0487	GARLK 473211!*	21158-0664	GARLK 473440!*	21158-0845	GARLK 473236!*	21158-1051	GARLK 473179!
21158-0490	GARLK 473211!*	21158-0665	GARLK 473440!*	21158-0846	GARLK 473236!	21158-1052	GARLK 473179!
21158-0491	GARLK 473211!*	21158-0666	GARLK 473440!	21158-0853	GARLK 473446	21158-1053	GARLK 473179!
21158-0492	GARLK 473211!*	21158-0668	GARLK 474281!	21158-0854	GARLK 473446	21158-1054	GARLK 414045!*
21158-0493	GARLK 473212!*	21158-0669	GARLK 474281!*	21158-0855	GARLK 473446*	21158-1057	GARLK 473238
21158-0494	GARLK 473212!*	21158-0670	GARLK 470625!	21158-0859	GARLK 471981	21158-1058	GARLK 473238
21158-0495	GARLK 473212!	21158-0700	GARLK 472213	21158-0861	GARLK 471981	21158-1059	GARLK 473238!
21158-0496	GARLK 473213!	21158-0701	GARLK 472213	21158-0862	GARLK 50327	21158-1060	GARLK 450084!
21158-0497	GARLK 473213!	21158-0702	GARLK 472213	21158-0871	GARLK 450068*	21158-1062	GARLK 450084!
21158-0498	GARLK 473213!	21158-0703	GARLK 472299*	21158-0874	GARLK 50075 =	21158-1063	GARLK 473239
21158-0499	GARLK 450503 =	21158-0704	GARLK 472299*	21158-0877	GARLK 50191*	21158-1065	GARLK 473239
21158-0505	GARLK 481834	21158-0706	GARLK 471821!	21158-0886	GARLK 50081*	21158-1066	GARLK 473457!*
21158-0507	GARLK 481834	21158-0707	GARLK 471821!	21158-0887	GARLK 50081*	21158-1069	GARLK 473240!*
21158-0511	GARLK 473435*	21158-0708	GARLK 471821!	21158-0895	GARLK 470086*	21158-1071	GARLK 473240!
21158-0514	GARLK 473436*	21158-0712	GARLK 473229	21158-0898	GARLK 471504!	21158-1075	GARLK 473458!*
21158-0517	GARLK 50168*	21158-0713	GARLK 473229	21158-0899	GARLK 471504!	21158-1076	GARLK 473458!*
21158-0520	GARLK 450054*	21158-0714	GARLK 473229	21158-0900	GARLK 471504!	21158-1078	GARLK 472439*
21158-0535	GARLK 470774!	21158-0715	GARLK 470682*	21158-0904	GARLK 472164!	21158-1081	GARLK 471868*
21158-0536	GARLK 470774!	21158-0717	GARLK 470682	21158-0905	GARLK 472164*	21158-1084	GARLK 472572!
21158-0537	GARLK 470774!	21158-0718	GARLK 471316	21158-0906	GARLK 472164!	21158-1090	GARLK 414045!*
21158-0538	GARLK 472287!*	21158-0721	GARLK 473441*	21158-0907	GARLK 472185!	21158-1105	GARLK 473240!*

! Industrial Size/Type * Minor Width Difference = Call 1-800-480-1212 for price and delivery.

Zero Duplication or Recommended Industrial		Zero Duplication or Recommended Industrial		Zero Duplication or Recommended Industrial		Zero Duplication or Recommended Industrial		
Mfr. No.	Name	Mfr. No.	Name	Mfr. No.	Name	Mfr. No.	Name	
21158-1114	GARLK	472319	21158-1270	GARLK	416738!	21158-1441	GARLK	473471*
21158-1116	GARLK	472319	21158-1270	GARLK	450096	21158-1444	GARLK	472020*
21158-1117	GARLK	473459	21158-1276	GARLK	450313	21158-1450	GARLK	470354*
21158-1119	GARLK	473459	21158-1278	GARLK	450313	21158-1459	GARLK	50631*
21158-1120	GARLK	473241	21158-1279	GARLK	450532	21158-1471	GARLK	471341!
21158-1122	GARLK	473241	21158-1282	GARLK	451948*	21158-1473	GARLK	471341!
21158-1129	GARLK	472144!	21158-1285	GARLK	473466*	21158-1474	GARLK	471272!
21158-1130	GARLK	472144!	21158-1288	GARLK	472012*	21158-1475	GARLK	471272!
21158-1131	GARLK	472144!*	21158-1291	GARLK	450307*	21158-1476	GARLK	471272!
21158-1132	GARLK	473460	21158-1294	GARLK	450311*	21158-1477	GARLK	473473*
21158-1134	GARLK	473460	21158-1300	GARLK	416738!	21158-1479	GARLK	473473
21158-1135	GARLK	472394*	21158-1300	GARLK	450096	21158-1480	GARLK	471138!
21158-1137	GARLK	472394	21158-1306	GARLK	450313*	21158-1481	GARLK	471138!
21158-1138	GARLK	473461!*	21158-1309	GARLK	450532*	21158-1482	GARLK	471138!
21158-1139	GARLK	473461!*	21158-1312	GARLK	450343*	21158-1486	GARLK	410737!
21158-1141	GARLK	471391!*	21158-1321	GARLK	470898	21158-1492	GARLK	472636!
21158-1142	GARLK	471391!*	21158-1322	GARLK	470898	21158-1493	GARLK	472636!
21158-1143	GARLK	471391!	21158-1323	GARLK	470898!	21158-1494	GARLK	472636!
21158-1147	GARLK	473462	21158-1324	GARLK	473467	21158-1495	GARLK	411253!
21158-1148	GARLK	473462	21158-1326	GARLK	473467	21158-1496	GARLK	411253!
21158-1149	GARLK	473462	21158-1327	GARLK	472015!	21158-1497	GARLK	411253!
21158-1150	GARLK	450472!*	21158-1328	GARLK	472015!	21158-1498	GARLK	412920!
21158-1153	GARLK	473241	21158-1329	GARLK	472015!	21158-1499	GARLK	412920!
21158-1154	GARLK	473241*	21158-1330	GARLK	410308!	21158-1500	GARLK	412920!
21158-1162	GARLK	450474*	21158-1331	GARLK	410308!	21158-1501	GARLK	455136*
21158-1165	GARLK	50528*	21158-1332	GARLK	410308!	21158-1504	GARLK	411376!
21158-1166	GARLK	50528*	21158-1333	GARLK	472016*	21158-1505	GARLK	411376!
21158-1167	GARLK	50528	21158-1334	GARLK	472016	21158-1506	GARLK	411376!
21158-1171	GARLK	473461!*	21158-1335	GARLK	472016	21158-1507	GARLK	472299*
21158-1174	GARLK	471391!*	21158-1339	GARLK	472409!	21158-1510	GARLK	471272!
21158-1180	GARLK	473462	21158-1341	GARLK	472409!	21158-1522	GARLK	410737!
21158-1186	GARLK	471870!	21158-1345	GARLK	473243	21158-1528	GARLK	470645*
21158-1187	GARLK	471870!	21158-1346	GARLK	473243	21158-1531	GARLK	411253!
21158-1188	GARLK	471870!	21158-1347	GARLK	473243	21158-1534	GARLK	412920!
21158-1189	GARLK	472492!	21158-1348	GARLK	413469!*	21158-1537	GARLK	455136*
21158-1190	GARLK	472492!	21158-1349	GARLK	413469!*	21158-1540	GARLK	411376!
21158-1191	GARLK	472492!	21158-1350	GARLK	413469!*	21158-1546	GARLK	415234!*
21158-1198	GARLK	472924!	21158-1357	GARLK	416267!*	21158-1549	GARLK	415259!*
21158-1199	GARLK	472924!	21158-1359	GARLK	416267!*	21158-1561	GARLK	472150*
21158-1200	GARLK	472924!	21158-1363	GARLK	473467	21158-1563	GARLK	472150
21158-1201	GARLK	470530!	21158-1365	GARLK	473467	21158-1573	GARLK	411394!
21158-1203	GARLK	470530!	21158-1369	GARLK	410308!	21158-1575	GARLK	411394!
21158-1204	GARLK	472397!	21158-1372	GARLK	472016*	21158-1576	GARLK	410694!*
21158-1205	GARLK	472397!	21158-1378	GARLK	450621*	21158-1578	GARLK	410694!*
21158-1206	GARLK	472397!	21158-1384	GARLK	450869*	21158-1579	GARLK	450133*
21158-1207	GARLK	473463*	21158-1385	GARLK	450869*	21158-1581	GARLK	450133*
21158-1209	GARLK	473463	21158-1396	GARLK	416267!*	21158-1585	GARLK	416444*
21158-1210	GARLK	473242*	21158-1398	GARLK	416267!	21158-1587	GARLK	416444
21158-1212	GARLK	473242	21158-1399	GARLK	473244	21158-1588	GARLK	455647=
21158-1216	GARLK	473464!	21158-1400	GARLK	473244	21158-1594	GARLK	455321*
21158-1216	GARLK	473464	21158-1401	GARLK	473244	21158-1596	GARLK	455321
21158-1217	GARLK	473464!	21158-1402	GARLK	472018	21158-1600	GARLK	472150*
21158-1217	GARLK	473464	21158-1403	GARLK	472018	21158-1602	GARLK	472150
21158-1218	GARLK	473464	21158-1404	GARLK	472018*	21158-1612	GARLK	411394!
21158-1218	GARLK	473464!	21158-1405	GARLK	473471*	21158-1633	GARLK	455321*
21158-1222	GARLK	472924!	21158-1406	GARLK	473471	21158-1639	GARLK	473474*
21158-1225	GARLK	470530!	21158-1407	GARLK	473471	21158-1641	GARLK	473474
21158-1228	GARLK	472397!	21158-1408	GARLK	472020*	21158-1642	GARLK	470565!
21158-1231	GARLK	473463*	21158-1410	GARLK	472020*	21158-1644	GARLK	470565!
21158-1240	GARLK	473464!	21158-1414	GARLK	470354*	21158-1648	GARLK	473475*
21158-1240	GARLK	473464	21158-1415	GARLK	470354	21158-1650	GARLK	473475*
21158-1246	GARLK	412027*	21158-1416	GARLK	470354*	21158-1654	GARLK	413246
21158-1252	GARLK	451948	21158-1420	GARLK	473245!*	21158-1655	GARLK	413246
21158-1253	GARLK	451948	21158-1422	GARLK	471504!	21158-1656	GARLK	413246
21158-1254	GARLK	451948*	21158-1423	GARLK	412943*	21158-1657	GARLK	412119!
21158-1255	GARLK	473466	21158-1425	GARLK	412943*	21158-1658	GARLK	412119!
21158-1258	GARLK	472012	21158-1426	GARLK	413472	21158-1659	GARLK	412119!
21158-1260	GARLK	472012	21158-1428	GARLK	413472	21158-1660	GARLK	413247!
21158-1261	GARLK	450307*	21158-1432	GARLK	416268	21158-1661	GARLK	413247!
21158-1263	GARLK	450307	21158-1434	GARLK	416268	21158-1662	GARLK	413247!
21158-1264	GARLK	450311*	21158-1435	GARLK	472234*	21158-1663	GARLK	410987!
21158-1266	GARLK	450311	21158-1438	GARLK	472018*	21158-1666	GARLK	416271!*
21158-1270	GARLK	416738!	21158-1668	GARLK	416271!	21158-1669	GARLK	412861
21158-1270	GARLK	450096	21158-1671	GARLK	412861	21158-1672	GARLK	410825
21158-1276	GARLK	450313	21158-1675	GARLK	416071*	21158-1677	GARLK	416071
21158-1278	GARLK	450313	21158-1678	GARLK	417480!	21158-1679	GARLK	417480!
21158-1279	GARLK	450532	21158-1680	GARLK	417480!	21158-1687	GARLK	473475*
21158-1282	GARLK	451948*	21158-1687	GARLK	473475*	21158-1693	GARLK	413246
21158-1285	GARLK	473466*	21158-1696	GARLK	412119!	21158-1696	GARLK	412119!
21158-1288	GARLK	472012*	21158-1699	GARLK	413247!	21158-1699	GARLK	413247!
21158-1291	GARLK	450307*	21158-1705	GARLK	416271!*	21158-1705	GARLK	416271!*
21158-1294	GARLK	450311*	21158-1714	GARLK	416071*	21158-1714	GARLK	416071*
21158-1300	GARLK	416738!	21158-1723	GARLK	471887	21158-1723	GARLK	471887
21158-1300	GARLK	450096	21158-1725	GARLK	471887	21158-1725	GARLK	471887
21158-1306	GARLK	450313*	21158-1735	GARLK	412040*	21158-1735	GARLK	412040*
21158-1309	GARLK	450532*	21158-1737	GARLK	412040	21158-1737	GARLK	412040
21158-1312	GARLK	450343*	21158-1738	GARLK	411500*	21158-1738	GARLK	411500*
21158-1321	GARLK	470898	21158-1740	GARLK	411500*	21158-1740	GARLK	411500*
21158-1322	GARLK	470898	21158-1741	GARLK	413478*	21158-1741	GARLK	413478*
21158-1323	GARLK	470898!	21158-1742	GARLK	413478*	21158-1742	GARLK	413478*
21158-1324	GARLK	473467	21158-1743	GARLK	413478*	21158-1743	GARLK	413478*
21158-1326	GARLK	473467	21158-1744	GARLK	450104*	21158-1744	GARLK	450104*
21158-1327	GARLK	472015!	21158-1745	GARLK	450104*	21158-1745	GARLK	450104*
21158-1328	GARLK	472015!	21158-1746	GARLK	450104	21158-1746	GARLK	450104
21158-1329	GARLK	472015!	21158-1747	GARLK	411245!	21158-1747	GARLK	411245!
21158-1330	GARLK	410308!	21158-1749	GARLK	411245!	21158-1749	GARLK	411245!
21158-1331	GARLK	410308!	21158-1750	GARLK	417073*	21158-1750	GARLK	417073*
21158-1332	GARLK	410308!	21158-1751	GARLK	417073*	21158-1751	GARLK	417073*
21158-1333	GARLK	472016*	21158-1752	GARLK	417073	21158-1752	GARLK	417073
21158-1334	GARLK	472016	21158-1771	GARLK	412040*	21158-1771	GARLK	412040*
21158-1335	GARLK	472016	21158-1774	GARLK	50560*	21158-1774	GARLK	50560*
21158-1339	GARLK	472409!	21158-1775	GARLK	50560	21158-1775	GARLK	50560
21158-1341	GARLK	472409!	21158-1778	GARLK	450104*	21158-1778	GARLK	450104*
21158-1345	GARLK	473243	21158-1783	GARLK	411245!	21158-1783	GARLK	411245!
21158-1346	GARLK	473243	21158-1801	GARLK	472029	21158-1801	GARLK	472029
21158-1347	GARLK	473243	21158-1802	GARLK	472029*	21158-1802	GARLK	472029*
21158-1348	GARLK	413469!*	21158-1803	GARLK	472029*	21158-1803	GARLK	472029*
21158-1349	GARLK	413469!*	21158-1806	GARLK	410752	21158-1806	GARLK	410752
21158-1350	GARLK	413469!*	21158-1807	GARLK	471271!	21158-1807	GARLK	471271!
21158-1357	GARLK	416267!*	21158-1808	GARLK	471271!	21158-1808	GARLK	471271!
21158-1359	GARLK	416267!*	21158-1809	GARLK	471271!	21158-1809	GARLK	471271!
21158-1363	GARLK	473467	21158-1810	GARLK	410496!	21158-1810	GARLK	410496!
21158-1365	GARLK	473467	21158-1812	GARLK	410496!	21158-1812	GARLK	410496!
21158-1369	GARLK	410308!	21158-1813	GARLK	470605!*	21158-1813	GARLK	470605!*
21158-1372	GARLK	472016*	21158-1815	GARLK	470605!*	21158-1815	GARLK	470605!*
21158-1378	GARLK	450621*	21158-1819	GARLK	415449!	21158-1819		

Zero Duplication or Recommended		Zero Duplication or Recommended		Zero Duplication or Recommended		Zero Duplication or Recommended	
Mfr. No.	Name	Mfr. No.	Name	Mfr. No.	Name	Mfr. No.	Name
21158-6730	GARLK	21158-6901	GARLK	21158-7152	GARLK	21158-7314	GARLK
21158-6730R1	GARLK	21158-6904	GARLK	21158-7152F1	GARLK	21158-7317	GARLK
21158-6732	GARLK	21158-6904F1	GARLK	21158-7153	GARLK	21158-7318	GARLK
21158-6733	GARLK	21158-6907	GARLK	21158-7154	GARLK	21158-7320	GARLK
21158-6734	GARLK	21158-6914	GARLK	21158-7155	GARLK	21158-7324	GARLK
21158-6739	GARLK	21158-6917	GARLK	21158-7159	GARLK	21158-7327	GARLK
21158-6741	GARLK	21158-6920	GARLK	21158-7160	GARLK	21158-7328	GARLK
21158-6741F1	GARLK	21158-6921	GARLK	21158-7162	GARLK	21158-7328F1	GARLK
21158-6744F1	GARLK	21158-6923	GARLK	21158-7164	GARLK	21158-7332	GARLK
21158-6745	GARLK	21158-6924	GARLK	21158-7165	GARLK	21158-7334	GARLK
21158-6745R1	GARLK	21158-6927	GARLK	21158-7174	GARLK	21158-7341F1	GARLK
21158-6746	GARLK	21158-6927F1	GARLK	21158-7177	GARLK	21158-7342	GARLK
21158-6750	GARLK	21158-6931	GARLK	21158-7178	GARLK	21158-7346	GARLK
21158-6750	GARLK	21158-6934	GARLK	21158-7186	GARLK	21158-7347	GARLK
21158-6753	GARLK	21158-6937	GARLK	21158-7187	GARLK	21158-7348	GARLK
21158-6755F1	GARLK	21158-6937R1	GARLK	21158-7192	GARLK	21158-7349	GARLK
21158-6757	GARLK	21158-6938	GARLK	21158-7192	GARLK	21158-7350	GARLK
21158-6760	GARLK	21158-6939	GARLK	21158-7194	GARLK	21158-7350	GARLK
21158-6762	GARLK	21158-6946	GARLK	21158-7196	GARLK	21158-7353	GARLK
21158-6764	GARLK	21158-6947	GARLK	21158-7197	GARLK	21158-7357	GARLK
21158-6765	GARLK	21158-6949	GARLK	21158-7197T2	GARLK	21158-7364	GARLK
21158-6767	GARLK	21158-6950	GARLK	21158-7197T2	GARLK	21158-7366	GARLK
21158-6768	GARLK	21158-6952	GARLK	21158-7199	GARLK	21158-7368	GARLK
21158-6770	GARLK	21158-6955	GARLK	21158-7199	GARLK	21158-7370F1	GARLK
21158-6773	GARLK	21158-6957	GARLK	21158-7205	GARLK	21158-7371	GARLK
21158-6774	GARLK	21158-6959	GARLK	21158-7206	GARLK	21158-7372	GARLK
21158-6774R1	GARLK	21158-6961	GARLK	21158-7210	GARLK	21158-7372F1	GARLK
21158-6794	GARLK	21158-6966	GARLK	21158-7215R1	GARLK	21158-7374	GARLK
21158-6794	GARLK	21158-6968	GARLK	21158-7220	GARLK	21158-7375	GARLK
21158-6795	GARLK	21158-6971	GARLK	21158-7221	GARLK	21158-7382	GARLK
21158-6796	GARLK	21158-6975	GARLK	21158-7223	GARLK	21158-7386	GARLK
21158-6797	GARLK	21158-6978	GARLK	21158-7224	GARLK	21158-7389	GARLK
21158-6798	GARLK	21158-6981	GARLK	21158-7226	GARLK	21158-7389	GARLK
21158-6799	GARLK	21158-6982	GARLK	21158-7229	GARLK	21158-7390	GARLK
21158-68	GARLK	21158-6982	GARLK	21158-7230	GARLK	21158-7390F1	GARLK
21158-6800	GARLK	21158-6984	GARLK	21158-7230	GARLK	21158-7402	GARLK
21158-6802	GARLK	21158-6990	GARLK	21158-7231	GARLK	21158-7402	GARLK
21158-6806	GARLK	21158-6991	GARLK	21158-7233	GARLK	21158-7409	GARLK
21158-6806	GARLK	21158-6992	GARLK	21158-7238	GARLK	21158-7409	GARLK
21158-6832	GARLK	21158-6993F1	GARLK	21158-7241	GARLK	21158-7418	GARLK
21158-6832R1	GARLK	21158-6995	GARLK	21158-7245	GARLK	21158-7419	GARLK
21158-6833	GARLK	21158-70	GARLK	21158-7247	GARLK	21158-7420	GARLK
21158-6835	GARLK	21158-7007	GARLK	21158-7248	GARLK	21158-7423	GARLK
21158-6838	GARLK	21158-7039	GARLK	21158-7249	GARLK	21158-7433	GARLK
21158-6839	GARLK	21158-7060	GARLK	21158-7253	GARLK	21158-7435	GARLK
21158-6840	GARLK	21158-7069	GARLK	21158-7253	GARLK	21158-7436	GARLK
21158-6842	GARLK	21158-7072	GARLK	21158-7254	GARLK	21158-7439	GARLK
21158-6844	GARLK	21158-7081	GARLK	21158-7254F1	GARLK	21158-7440	GARLK
21158-6847	GARLK	21158-7090	GARLK	21158-7255	GARLK	21158-7448	GARLK
21158-6853	GARLK	21158-7091	GARLK	21158-7258	GARLK	21158-7510	GARLK
21158-6857	GARLK	21158-7099	GARLK	21158-7259	GARLK	21158-7516	GARLK
21158-6858	GARLK	21158-7099F1	GARLK	21158-7264	GARLK	21158-7518	GARLK
21158-6860	GARLK	21158-7101	GARLK	21158-7265	GARLK	21158-7523	GARLK
21158-6860R1	GARLK	21158-7104	GARLK	21158-7269	GARLK	21158-7524	GARLK
21158-6860T2	GARLK	21158-7110	GARLK	21158-7269	GARLK	21158-7524F1	GARLK
21158-6864	GARLK	21158-7114	GARLK	21158-7270	GARLK	21158-7544	GARLK
21158-6865	GARLK	21158-7115	GARLK	21158-7272	GARLK	21158-7549	GARLK
21158-6866	GARLK	21158-7115	GARLK	21158-7276	GARLK	21158-7551	GARLK
21158-6868	GARLK	21158-7120	GARLK	21158-7277	GARLK	21158-7551	GARLK
21158-6870	GARLK	21158-7121	GARLK	21158-7277	GARLK	21158-7554	GARLK
21158-6871	GARLK	21158-7125	GARLK	21158-7280	GARLK	21158-7555	GARLK
21158-6872	GARLK	21158-7126	GARLK	21158-7282	GARLK	21158-7555F1	GARLK
21158-6888	GARLK	21158-7128	GARLK	21158-7282	GARLK	21158-7559	GARLK
21158-6892	GARLK	21158-7130	GARLK	21158-7284	GARLK	21158-7560	GARLK
21158-6893	GARLK	21158-7134	GARLK	21158-7285	GARLK	21158-7561	GARLK
21158-6895	GARLK	21158-7140	GARLK	21158-7288	GARLK	21158-7562	GARLK
21158-6896	GARLK	21158-7141	GARLK	21158-7289	GARLK	21158-7563	GARLK
21158-6898	GARLK	21158-7141	GARLK	21158-7291	GARLK		
21158-6898R1	GARLK	21158-7145	GARLK	21158-7292	GARLK		
21158-6899	GARLK	21158-7145F1	GARLK	21158-7299	GARLK		
21158-69	GARLK	21158-7146	GARLK	21158-7307	GARLK		
21158-6900	GARLK	21158-7152	GARLK	21158-7313	GARLK		

! Industrial Size/Type * Minor Width Difference = Call 1-800-480-1212 for price and delivery.

NUMERICAL

Zero Duplication or Recommended Industrial		Zero Duplication or Recommended Industrial		Zero Duplication or Recommended Industrial		Zero Duplication or Recommended Industrial					
Mfr. No.	Name	Mfr. No.	Name	Mfr. No.	Name	Mfr. No.	Name				
21158-7564	GARLK	471271!	21158-7796	GARLK	455584*	21158-8233	GARLK	476470*	21158-8596	GARLK	455584*
21158-7566	GARLK	416865!*	21158-78	GARLK	471532	21158-8238	GARLK	417606*	21158-8608	GARLK	455022*
21158-7567F1	GARLK	471192	21158-7803	GARLK	415196!*	21158-8243	GARLK	415072*	21158-8628	GARLK	417542*
21158-7568	GARLK	470625!	21158-7812	GARLK	416345!	21158-8245	GARLK	417487	21158-8629	GARLK	417539!*
21158-7568F1	GARLK	470625!*	21158-7812	GARLK	455033	21158-8248	GARLK	470950!	21158-8631	GARLK	416167!
21158-7572	GARLK	417316!	21158-7814	GARLK	415035	21158-8248	GARLK	6241S	21158-8633	GARLK	416154!*
21158-7574	GARLK	415303!*	21158-7819	GARLK	416167!	21158-8251	GARLK	417596*	21158-8635	GARLK	455197N*
21158-7578	GARLK	416153!	21158-7824	GARLK	415090*	21158-8252	GARLK	415294!	21158-8636	GARLK	415196!*
21158-7590	GARLK	472157!	21158-7825	GARLK	417597*	21158-8262	GARLK	415124*	21158-8638	GARLK	417205!*
21158-7590	GARLK	472157	21158-7829	GARLK	416664!	21158-8265	GARLK	481792*	21158-8640	GARLK	415984!*
21158-7594	GARLK	416271!*	21158-7829F1	GARLK	416664!	21158-8266	GARLK	473444	21158-8643	GARLK	472572!
21158-7603	GARLK	416476!	21158-7837	GARLK	417513*	21158-8270	GARLK	410308!	21158-8646	GARLK	450068*
21158-7610	GARLK	417549!*	21158-7839	GARLK	417252*	21158-8274	GARLK	473239	21158-8652	GARLK	50254* =
21158-7611	GARLK	417198*	21158-7840	GARLK	55357*	21158-8278	GARLK	416153!	21158-8657	GARLK	417262!
21158-7612	GARLK	415072*	21158-7842	GARLK	472020*	21158-8280	GARLK	415379	21158-8662	GARLK	417020*
21158-7615	GARLK	415027!	21158-7846	GARLK	482089 =	21158-8280	GARLK	415379!	21158-8663	GARLK	417541*
21158-7615	GARLK	415027	21158-7861	GARLK	415196!*	21158-8284	GARLK	474256	21158-8665	GARLK	417603!*
21158-7616	GARLK	416332!	21158-7864	GARLK	450285*	21158-8292	GARLK	473458!*	21158-8668	GARLK	455685*
21158-7626	GARLK	417549!*	21158-7873	GARLK	473231	21158-8293	GARLK	473238!*	21158-8676	GARLK	417159
21158-7629	GARLK	417562*	21158-7877	GARLK	415066*	21158-8300	GARLK	415327*	21158-8678	GARLK	417366!*
21158-7633	GARLK	471887*	21158-7879	GARLK	417780*	21158-8306	GARLK	416107!	21158-8679	GARLK	455151*
21158-7633F1	GARLK	471887	21158-7880	GARLK	416556!	21158-8306	GARLK	455073	21158-8680	GARLK	415227!*
21158-7642	GARLK	416294!*	21158-7880	GARLK	472157	21158-8309	GARLK	417538*	21158-8681	GARLK	417501*
21158-7646	GARLK	473454	21158-79	GARLK	473405*	21158-8310	GARLK	417539!*	21158-8682	GARLK	470645*
21158-7649	GARLK	472018*	21158-7907	GARLK	470950!	21158-8311	GARLK	415437	21158-8683	GARLK	417511*
21158-7652	GARLK	417541*	21158-7907	GARLK	6241S	21158-8311	GARLK	415437!	21158-8696	GARLK	417485*
21158-7653	GARLK	415076*	21158-7909	GARLK	417602!*	21158-8312F1	GARLK	471750!	21158-8697	GARLK	417509*
21158-7659	GARLK	415034!	21158-7915	GARLK	471835!	21158-8328	GARLK	455197N*	21158-8698	GARLK	455297*
21158-7668	GARLK	417316!	21158-7922	GARLK	55223* =	21158-8330	GARLK	416154!*	21158-87	GARLK	471466!
21158-7669	GARLK	417298*	21158-7934	GARLK	55469*	21158-8331	GARLK	417258*	21158-8700	GARLK	418028
21158-7670	GARLK	476470	21158-7937	GARLK	2081	21158-8353	GARLK	476535	21158-8700	GARLK	455137!
21158-7671	GARLK	415259!*	21158-7941	GARLK	455509*	21158-8384	GARLK	415867*	21158-8704	GARLK	470625!
21158-7677	GARLK	472319*	21158-7993	GARLK	417273*	21158-8396	GARLK	415937!*	21158-8705	GARLK	480281!
21158-7684	GARLK	473234	21158-80	GARLK	473405	21158-8400	GARLK	415142*	21158-8708	GARLK	417780*
21158-7685	GARLK	415938*	21158-8063	GARLK	350974!	21158-8401	GARLK	473454	21158-8712	GARLK	415645!
21158-7686	GARLK	415041*	21158-8067	GARLK	472644	21158-8404	GARLK	413469!*	21158-8712	GARLK	455104
21158-7687	GARLK	481792	21158-8074	GARLK	471827!*	21158-8409	GARLK	471633!*	21158-8724	GARLK	473463*
21158-7689	GARLK	416158*	21158-8081	GARLK	450819*	21158-8410	GARLK	417512*	21158-8726	GARLK	417349*
21158-7690	GARLK	415187*	21158-81	GARLK	471558	21158-8416	GARLK	410737!	21158-8728	GARLK	470605!*
21158-7695	GARLK	474281!	21158-8102	GARLK	455556*	21158-8417	GARLK	455584*	21158-8731	GARLK	417356!
21158-77	GARLK	471532*	21158-8104	GARLK	472299*	21158-8419	GARLK	415138!*	21158-8731	GARLK	455188
21158-7700	GARLK	413246	21158-8111	GARLK	417196!*	21158-8423	GARLK	415072*	21158-8732	GARLK	473239
21158-7717	GARLK	417171!*	21158-8112	GARLK	417511*	21158-8430	GARLK	456105*	21158-8734	GARLK	471820*
21158-7722	GARLK	472157	21158-8117	GARLK	415023	21158-8437	GARLK	55301S*	21158-8736	GARLK	415072*
21158-7722	GARLK	472157!	21158-8120	GARLK	415371*	21158-8442	GARLK	417252*	21158-8738	GARLK	470565!*
21158-7723	GARLK	472636!	21158-8127	GARLK	416891!*	21158-8443	GARLK	416229*	21158-8744	GARLK	417357
21158-7745	GARLK	417556*	21158-8128	GARLK	417355!*	21158-8460	GARLK	416891!*	21158-8744	GARLK	455192!
21158-7746	GARLK	450908 =	21158-8129	GARLK	470774!	21158-8462	GARLK	415090*	21158-8745	GARLK	416891!*
21158-7747	GARLK	417484!	21158-8131	GARLK	450285*	21158-8466	GARLK	417509*	21158-8747	GARLK	415867*
21158-7749	GARLK	417534*	21158-8140	GARLK	455462*	21158-8469	GARLK	415871*	21158-8752	GARLK	417362!*
21158-7752	GARLK	471760*	21158-8151	GARLK	415991	21158-8470	GARLK	417159*	21158-8755	GARLK	55223* =
21158-7758	GARLK	417601*	21158-8151	GARLK	455146!	21158-8471	GARLK	417556*	21158-8756	GARLK	417020*
21158-7759	GARLK	457874	21158-8153	GARLK	415458!	21158-8477	GARLK	455026*	21158-8757	GARLK	417494*
21158-7764	GARLK	416273!	21158-8154	GARLK	416404!*	21158-8488	GARLK	455566*	21158-8758	GARLK	417020*
21158-7765	GARLK	418028	21158-8156	GARLK	417171!*	21158-8494	GARLK	415482*	21158-8775	GARLK	417298*
21158-7765	GARLK	455137!	21158-8161	GARLK	415045!*	21158-8498	GARLK	471341!	21158-8778	GARLK	416163*
21158-7767	GARLK	471829	21158-8165	GARLK	415066*	21158-8521	GARLK	412040*	21158-8780	GARLK	415991
21158-7768	GARLK	450307*	21158-8169	GARLK	457874*	21158-8529	GARLK	417597*	21158-8780	GARLK	455146!
21158-7772	GARLK	455820*	21158-8173	GARLK	416077*	21158-8530	GARLK	416664!	21158-8787	GARLK	415259!*
21158-7774	GARLK	415227!*	21158-8187	GARLK	472475*	21158-8551	GARLK	416149*	21158-8790	GARLK	473441*
21158-7775	GARLK	455556*	21158-8187R1	GARLK	472475	21158-8556	GARLK	417507*	21158-8797	GARLK	413247!
21158-7776	GARLK	415458!	21158-8188	GARLK	455019!*	21158-8560	GARLK	417604*	21158-8819	GARLK	455406!*
21158-7776F1	GARLK	415458!	21158-8192	GARLK	417273*	21158-8566	GARLK	455576!*	21158-8824	GARLK	417254*
21158-7780	GARLK	415128*	21158-82	GARLK	471558*	21158-8569	GARLK	471818*	21158-8825	GARLK	416891!*
21158-7783	GARLK	417604*	21158-8205	GARLK	417596	21158-8570	GARLK	415263*	21158-8828	GARLK	455462*
21158-7784	GARLK	417181!*	21158-8208	GARLK	417513*	21158-8571	GARLK	413248	21158-8830	GARLK	415559*
21158-7785	GARLK	455123*	21158-8213	GARLK	472636!	21158-8572	GARLK	472029*	21158-8833	GARLK	416664!
21158-7786	GARLK	455123*	21158-8214	GARLK	455820*	21158-8573	GARLK	415001!	21158-8836	GARLK	417171!*
21158-7787	GARLK	417351!	21158-8222	GARLK	417621!	21158-8579	GARLK	417601*	21158-8845	GARLK	417541*
21158-7791	GARLK	416339	21158-8224	GARLK	455191*	21158-8585	GARLK	415072*	21158-8846	GARLK	417547*
21158-7791	GARLK	455031!	21158-8231	GARLK	417191	21158-8591	GARLK	415871*	21158-8847	GARLK	417497*
21158-7795	GARLK	417247!*	21158-8231	GARLK	456585	21158-8592	GARLK	417211!*	21158-8848	GARLK	410987!*

! Industrial Size/Type * Minor Width Difference = Call 1-800-480-1212 for price and delivery.

Zero Duplication or Recommended		Zero Duplication or Recommended		Zero Duplication or Recommended		Zero Duplication or Recommended					
Mfr. No.	Name	Mfr. No.	Name	Mfr. No.	Name	Mfr. No.	Name				
21158-8856	GARLK	417537*	211580485	GARLK	472826!	21162	C-R	472015!	2117549	ITM	1953
21158-8864	GARLK	418028	211580541	GARLK	471192	2116201	ITM	224520	2117549	ITM	42X60X7!
21158-8864	GARLK	455137!	211580542	GARLK	471192	2116201	ITM	45X60X10!	2117555	ITM	225420
21158-8868	GARLK	417605*	211580543	GARLK	471192	2116205	ITM	1994	2117555	ITM	54X72X10!
21158-8870	GARLK	415683*	211580646	GARLK	470059	2116205	ITM	48X70X9!	2117560	ITM	224820
21158-8875	GARLK	50327*	211580646	GARLK	470380!	2116213	ITM	223542	2117560	ITM	48X62X8!
21158-8881	GARLK	416556!	211580647	GARLK	470059	2116213	ITM	35X55X11!	2117561	ITM	223605
21158-8881	GARLK	472157	211580647	GARLK	470380!	2116247	ITM	1174	2117561	ITM	36X50X7!
21158-8886	GARLK	470596*	211580648	GARLK	470059	2116247	ITM	38X52X8.5!	2117591	ITM	225110
21158-8887	GARLK	471413	211580648	GARLK	470380!	2116298	ITM	224270	2117591	ITM	51X65X7!
21158-8903	GARLK	471791	211580661	GARLK	470487!	2116298	ITM	42X72X10!	2117594	ITM	224255
21158-8903	GARLK	456585	211580778	GARLK	474274	21163	C-R	472015!	2117594	ITM	42X65X10!
21158-8904	GARLK	416107!	211580780	GARLK	474274	21163	CONTI	471103!	2117614	ITM	225230
21158-8904	GARLK	455073	211584483	GARLK	415442!	2116304	ITM	1012	2117614	ITM	52X72X8!
21158-8907	GARLK	415045!*	211584483	GARLK	55442	2116304	ITM	1012N	2117623	ITM	224252
21158-8912	GARLK	417542*	211584662	GARLK	470506!	2116304	ITM	45X62X8!	2117623	ITM	42X62X8!
21158-8917	GARLK	415090*	211584704	GARLK	471785!	2116327	ITM	227040	2117625	ITM	224252
21158-9009	GARLK	471688*	211584842	GARLK	471472!	2116327	ITM	70X90X10!	2117625	ITM	42X62X8!
21158-9013	GARLK	352541*	2115850	GARLK	471442!	2116366	ITM	224015	2117748	ITM	224520
21158-9093F1	GARLK	470605!	211585713	GARLK	473227	2116366	ITM	40X52X7!	2117748	ITM	45X60X10!
21158-91	GARLK	471255!	211586	CLARK	473214!	2116367	ITM	224045	2117787	ITM	225010
21158-9234F1	GARLK	473445	211586430	GARLK	471785!	2116367	ITM	40X62X12!	2117787	ITM	50X65X8!
21158-93	GARLK	471564	211586457	GARLK	450129	2116373	ITM	1174	21178	C-R	472015!*
21158-9345	GARLK	471733	211586457	GARLK	472826!	2116373	ITM	38X52X8.5!	2117909	ITM	225020
21158-94	GARLK	471564*	211586479	GARLK	471192	2116374	ITM	1181	2117909	ITM	50X68X8!
21158-9481	GARLK	417486	211586580	GARLK	450593!	2116374	ITM	41X56X7!	2117925	ITM	223830
21158-95	GARLK	471612	211586637	GARLK	471466!	2116376	ITM	224045	2117925	ITM	38X55X7!
21158-9501	GARLK	330385!	211586667	GARLK	470059	2116376	ITM	40X62X12!	2117926	ITM	227550
21158-9515	GARLK	471267!*	211586667	GARLK	470380!	2116387	ITM	222510	2117926	ITM	75X100X12!
21158-96	GARLK	471612	211586674	GARLK	471795	2116387	ITM	25X35X7!	2117929	ITM	225230
21158-9633	GARLK	480281!	211586675	GARLK	450165	21164	C-R	472015!	2117929	ITM	52X72X8!
21158-97	GARLK	481528	211586675	GARLK	471801!	2116410	ITM	224470	2117953	ITM	1969
21158-98	GARLK	481528	211586749	GARLK	471255!	2116410	ITM	44X72X10!	2117953	ITM	48X63X9!
21158-9833F1	GARLK	471192	211586856	GARLK	471255!	2116428	ITM	224820	2117955	ITM	224820
21158-9943F1	GARLK	471829	211586993	GARLK	471765!	2116428	ITM	48X62X8!	2117955	ITM	48X62X8!
211580121	GARLK	470506!	2115871	GARLK	471551!	2116450	GMC	5M466	2117963	ITM	1953
211580169	GARLK	474273	211587137	GARLK	470059	2116470	ITM	223430	2117963	ITM	42X60X7!
211580214	GARLK	450398	211587137	GARLK	470380!	2116470	ITM	710417	2117966	ITM	225020
211580214	GARLK	471267!	211587176	GARLK	471192	2116475	ITM	223830	2117966	ITM	50X68X8!
211580220	GARLK	471646!	211587195	GARLK	480630!	2116475	ITM	38X55X7!	2117968	ITM	1956
211580287	GARLK	471224!	2115872	GARLK	471551!	2116478	ITM	224045	2117968	ITM	224820
211580294	GARLK	471689!	211587262	GARLK	474274	2116478	ITM	40X62X12!	2117968	ITM	48X62X8!
211580296	GARLK	450593!	211587358	GARLK	471646!	2116492	ITM	1955	2117971	ITM	226285
211580351	GARLK	471652	211587391	GARLK	474255	2116492	ITM	52X65X9!	2117971	ITM	62X85X8!
211580352	GARLK	471652	211587447	GARLK	470059	2116502	ITM	1213N	2117975	ITM	226285
211580357	GARLK	470712!	211587447	GARLK	470380!	2116505	ITM	228020	2117975	ITM	62X85X8!
211580358	GARLK	470712!	211587661	GARLK	471192	2116505	ITM	80X105X13!	2117979	ITM	1012
211580361	GARLK	471785!	211587675	GARLK	471787!	2116539	ITM	225020	2117979	ITM	1012N
211580362	GARLK	471785!	211587831	GARLK	471646!	2116539	ITM	50X68X8!	2117979	ITM	45X62X8!
211580387	GARLK	471765!	211588135	GARLK	473227	21167	C-R	472015*	2117985	ITM	1012
211580388	GARLK	471765!	211588267	GARLK	471551!	21168	C-R	472015!	2117985	ITM	1012N
211580394	GARLK	473205	211588272	GARLK	471472!	2116807	GMC	417267	2117985	ITM	45X62X8!
211580397	GARLK	474255	211588275	GARLK	450165	2117057	GMC	473449	2117988	ITM	1012
211580398	GARLK	474255	211588275	GARLK	471801!	2117058	GMC	472164!	2117988	ITM	1012N
211580399	GARLK	474255	211588314	GARLK	471765!	2117093	ITM	1955	2117988	ITM	45X62X8!
211580424	GARLK	471750!	211588342	GARLK	450557	2117093	ITM	52X65X9!	2117990	ITM	224045
211580425	GARLK	471750!	211588342	GARLK	471255!	21171	C-R	472015	2117990	ITM	40X62X12!
211580426	GARLK	471750!	2115888	GARLK	471466!	2117109	ITM	1213N	2117993	ITM	1187
211580430	GARLK	471787!	211588879	GARLK	450593!	21172	C-R	472015!	2117993	ITM	47X68X10!
211580431	GARLK	471787!	2115892	GARLK	471255!	21172	C-R	472015*	21182	C-R	472015!
211580436	GARLK	471795	21159	C-R	8430S*	21173	C-R	472015!	21183	C-R	472015!
211580437	GARLK	471795	21160	C-R	472015!*	21174	C-R	8430S	2118530	GMC	471570!
211580438	GARLK	471795	2116025	ITM	1180	21175	C-R	8430S	21186	C-R	472015!
211580439	GARLK	450165	2116025	ITM	41X55X7!	211751	ALLCH	55386	21188	C-R	472015!
211580439	GARLK	471801!	2116085	ITM	1214	2117514	ITM	224570	211889	BENDI	480210!
211580440	GARLK	450165	2116085	ITM	1214N	2117514	ITM	45X72X12!	2119019	GMC	411500
211580440	GARLK	471801!	2116112	ITM	1174	2117517	ITM	2001	21192	C-R	410308!*
211580441	GARLK	450165	2116112	ITM	38X52X8.5!	2117517	ITM	60X82X12!	2119402	GMC	471103!
211580441	GARLK	471801!	2116177	ITM	224235	2117531	ITM	1174	211959	ALLCH	55309=
211580484	GARLK	450129	2116177	ITM	42X58X7!	2117531	ITM	38X52X8.5!	21196	C-R	410308!
211580484	GARLK	472826!	2116179	ITM	35X50X8!	2117538	ITM	225005	21197	C-R	410308!
211580485	GARLK	450129	2116179	ITM	3771	2117538	ITM	50X62X7!	2119728	GMC	471689!

! Industrial Size/Type * Minor Width Difference = Call 1-800-480-1212 for price and delivery.

Zero Duplication or Recommended Industrial		Zero Duplication or Recommended Industrial		Zero Duplication or Recommended Industrial		Zero Duplication or Recommended Industrial		
Mfr. No.	Name	Mfr. No.	Name	Mfr. No.	Name	Mfr. No.	Name	
211985	US-EL	417555!	21228	C-R	472016!	21269	C-R	472409*
211R	TIMKE	211PKG	212289	BENDI	471795	21270	C-R	472409
212	C-R	5414	2122910	GMC	417181!	21270	LEECE	471763
212	UNIVE	417316!	2122914	GMC	415991	21271	LEECE	471684!
212-10902	ITM	1953+304	2122914	GMC	455146!	212735	BENDI	471689!
212-11301	ITM	1984+30204+30206	21230	C-R	472016!	212735	FORD	471689!
212-11506	ITM	1180+88506-BR\$	212304R91	IH	457291	21273TB	TRSCM	473204
212-11506	ITM	41X55X7+88506-BR!\$	2123186	GMC	417487	21274	C-R	472409!
212-13503	ITM	224045+30304+30305	2123186	GMC	417487!	21275	C-R	472409!
2120	HWY	455472=	2123186	WHITE	417487!	21276	C-R	472409*
21200631	ROCKW	HU009A	2123186	WHITE	417487	212794R91	IH	455310
212011	WILYS	6489	2123199	GMC	472636!	21281	C-R	225450*
21203	C-R	473468	21232	C-R	472016!	21281	C-R	710203
2120319	GMC	471646!	21232	GARLK	471737	21282	C-R	472409!
21204	TIMKE	370021A	212325	UNIVE	413246	21282VB	TRSCM	40566S
21205	C-R	410308!	212335	MICH	412119!	21283SSB	TRSCM	470898!
21205	C-R	473468	212335	UNIVE	412119!	21284F	OSHKO	415938
2120631	ROCKW	HU009A	21234	C-R	472016!	21284SA	TRSCM	470898
21207	C-R	410308!	212348	MICH	410987!	21284TA	TRSCM	470898!
21207	C-R	473468	21235	C-R	472016!	21284TB	TRSCM	470898
21209	C-R	410308!	212350	MICH	416271!	21286	C-R	472409*
212098R1	IH	3592	212350	UNIVE	416271!	212893R91	IH	6403=
212098R91	IH	3592	212354	UNIVE	412861	212908	WAUKE	471649!
2121	CLIN	471267!	212362	UNIVE	410825*	21294	C-R	5682
21210	C-R	410308!	21237	C-R	472016	21294SA	TRSCM	473467
21210	C-R	473468*	21238	C-R	472016	21296	C-R	472409!
2121091011	GMC	55367=	21238-3921	GARLK	417601*	212965	BENDI	471571
21211	C-R	410308!	21238-3926	GARLK	417602!*	212968	WAUKE	471652
21211	C-R	473468*	21238-3938	GARLK	417604*	21297	C-R	472409!
212110	C-R	473211!	21238-3944	GARLK	417567*	212978	WAUKE	472636!
212111	C-R	473436	21238-3952	GARLK	415128*	21299	C-R	473243
2121111	GMC	55367=	21238-3953	GARLK	455129*	212996	GWI	472924!
212112	C-R	471192	21238-3954	GARLK	455462*	2129D	GOODM	415458!
212112	GOODM	471192	21238-3955	GARLK	415090*	212A124X04	TROS	8133S
212112M1	C-R	471192	21238-3962	GARLK	55218*=	212A131X04	TROS	8597S
212113	C-R	50126	21238-3968	GARLK	415219*	212B112	C-R	471192
2121133	GMC	471224	21238-3984	GARLK	417606*	212CHA112	C-R	471192
212114	C-R	473224!	21238-3985	GARLK	55078S*	212D112	C-R	471192
2121144	GMC	471887	21238-3997	GARLK	417020*	212R	TIMKE	212PKG
212116	C-R	473227	21238-3998	GARLK	417020*	212W112	C-R	471192
212116M1	C-R	473227	21238-4009	GARLK	417570*	212W112M1	C-R	471192
212118	C-R	473517!	21238-4017	GARLK	415227!*	212W16	C-R	473205
21213	C-R	410308!	21238-4031	GARLK	55228*=	212W16M1	C-R	473205
21213505	ITM	1012	21238-4036	GARLK	415482*	212W18	C-R	471795
21213505	ITM	1012N	21238-4057	GARLK	415077	212W18M1	C-R	471795
21213507	ITM	1012	21238-4063	GARLK	415076*	212W350	CONE	5521
21213507	ITM	1012N	21238-4072	GARLK	417608	212Z18	C-R	471795
21214	C-R	481792	21238-4499	GARLK	415124*	213	C-R	5650
21215	C-R	450362	21238-4500	GARLK	417022*	213	UNIVE	417485*
21216	C-R	473205	21238-4610	GARLK	415871	21300	C-R	473243
2121626	GMC	416404!	21240	C-R	472016!*	213006	HYST	343186
2121632	GMC	416654	2124223	GMC	416288	213009	ALLCH	450516
2121633	GMC	415001!	2124461	CHRY	471827!	21302	C-R	473243*
2121634	GMC	416654	21245	C-R	472016*	21302	C-R	473243!
21216M1	C-R	473205	21246	GARLK	471766!	21302VH	TRSCM	8430S
21218	C-R	471795	2124705	CHRY	331228H	21303	C-R	413248=
21218M1	C-R	471795	2124OS	JN-MN	415995!	21303	C-R	413248
21219	C-R	473211!	212522	WAYNE	470487!	21303TA	TRSCM	472015!
2122	WHITE	5778	21254	C-R	472016	21304	C-R	473243
21220	C-R	410308!	21255	C-R	472016	21304VSA	TRSCM	472015
2122016	GMC	471820	21256	C-R	472016	21305	C-R	473243
2122063	GMC	45031S	212561	BENDI	471766!	213065TA	TRSCM	410308
212227	CUMMI	417621	21258	C-R	476535	213065TB	TRSCM	410308
21224	GARLK	471413!	21259	C-R	472409!	213065TB	TRSCM	473468
212257R91	IH	417134	21260	C-R	472409!	213070R91	IH	5472\$=
21226	C-R	472016	212603	CUMMI	330385!	213074	ALLCH	471652
2122674	GMC	417316!	212608M1	MASSE	472299	213075	ALLCH	6863S!
2122701	GMC	416892	21262	GARLK	471795	2130D	GOODM	417343!
2122717	GMC	355200	212620	BRCWY	417344!	2130RC	SUL	417512
2122717	GMC	416888!	21265	C-R	472409!*	21314SA	TRSCM	472016
2122717	MOHWK	416888!	21266	C-R	472409!	21315	C-R	450362*
2122718	GMC	416892	21267	C-R	472409!	21316	C-R	225420
21316	C-R	54X72X10!	21316	C-R	225420	21316	C-R	225420
21318	C-R	225420	21318	C-R	225420	21318	C-R	225420
21318	C-R	54X72X10!	21318	C-R	54X72X10!	21318	C-R	54X72X10!
21318	C-R	54X73X8!*	21318	C-R	54X73X8!*	21318	C-R	54X73X8!*
213183TB	TRSCM	472409!	213183TB	TRSCM	472409!	213183TB	TRSCM	472409!
2131D	GOODM	415007	2131D	GOODM	415007	2131D	GOODM	415007
2131RC	SUL	415551	2131RC	SUL	415551	2131RC	SUL	415551
2132	HWY	417518	2132	HWY	417518	2132	HWY	417518
21320	C-R	470898	21320	C-R	470898	21320	C-R	470898
21320	C-R	54X73X8!	21320	C-R	54X73X8!	21320	C-R	54X73X8!
213217	ALLCH	415995!	213217	ALLCH	415995!	213217	ALLCH	415995!
21325	C-R	413469!	21325	C-R	413469!	21325	C-R	413469!
21326	C-R	413469!	21326	C-R	413469!	21326	C-R	413469!
21327	C-R	710438	21327	C-R	710438	21327	C-R	710438
21329	C-R	413469!	21329	C-R	413469!	21329	C-R	413469!
213337TA	TRSCM	413470!	213337TA	TRSCM	413470!	213337TA	TRSCM	413470!
21334A	MASSE	6336S	21334A	MASSE	6336S	21334A	MASSE	6336S
21334TB	TRSCM	413470!	21334TB	TRSCM	413470!	21334TB	TRSCM	413470!
213354	FWD	6663S	213354	FWD	6663S	213354	FWD	6663S
21336	C-R	413469!*	21336	C-R	413469!*	21336	C-R	413469!*
21337	C-R	40097S	21337	C-R	40097S	21337	C-R	40097S
21341	C-R	413469!*	21341	C-R	413469!*	21341	C-R	413469!*
21342	C-R	413469!*	21342	C-R	413469!*	21342	C-R	413469!*
21345	C-R	472409!	21345	C-R	472409!	21345	C-R	472409!
21345	C-R	54X81X8!*	21345	C-R	54X81X8!*	21345	C-R	54X81X8!*
21346	C-R	413469!	21346	C-R	413469!	21346	C-R	413469!
21348	GARLK	472258!	21348	GARLK	472258!	21348	GARLK	472258!
21350	C-R	413470!	21350	C-R	413470!	21350	C-R	413470!
213507XX	TIMKE	21X35X7	213507XX	TIMKE	21X35X7	213507XX	TIMKE	21X35X7
213508XX	TIMKE	21X35X8	213508XX	TIMKE	21X35X8	213508XX	TIMKE	21X35X8
21352	C-R	413470!	21352	C-R	413470!	21352	C-R	413470!
21353	C-R	413470!	21353	C-R	413470!	21353	C-R	413470!
21354	C-R	6380	21354	C-R	6380	21354	C-R	6380
21356	C-R	416267!	21356	C-R	416267!	21356	C-R	416267!
21358	C-R	415349*	21358	C-R	415349*	21358	C-R	415349*
21360	C-R	471192	21360	C-R	471192	21360	C-R	471192
21360	GARLK	471192	21360	GARLK	471192	21360	GARLK	471192
21361	C-R	225460	21361	C-R	225460	21361	C-R	225460
21368	GARLK	473214!	21368	GARLK	473214!	21368	GARLK	473214!
2136OS	JN-MN	416345!	2136OS	JN-MN	416345!	2136OS	JN-MN	416345!
2136OS	JN-MN	455033	2136OS	JN-MN	455033	2136OS	JN-MN	455033
2137005	GMC	471103!	2137005	GMC	471103!	2137005	GMC	471103!
213712	SPERY	472258!	213712	SPERY	472258!	213712	SPERY	472258!
2137252	GMC	327303!	2137252	GMC	327303!	2137252	GMC	327303!
2137274	GMC	6922=	2137274	GMC	6922=	2137274	GMC	6922=
213741	ALLCH	471766!	213741	ALLCH	471766!	213741	ALLCH	471766!
21378	C-R	455080*	21378	C-R	455080*	21378	C-R	455080*
21378	GARLK	473215!	21378	GARLK	473215!	21378	GARLK	473215!
21379	C-R	455080	21379	C-R	455080	21379	C-R	455080
2137OS	JN-MN	55028*	2137OS	JN-MN	55028*	2137OS	JN-MN	55028*
21385	C-R	55087=	21385	C-R	55087=	21385	C-R	55087=
213895	ALLCH	470334!	213895	ALLCH	470334!	213895	ALLCH	470334!
21390	C-R	6180=	21390	C-R	6180=	21390	C-R	6180=
2139445	GMC	418028	2139445	GMC	418028	2139445	GMC	418028
2139445	GMC	455137!	2139445	GMC	455137!	2139445	GMC	455137!
2139446	GMC	415991	2139446	GMC	415991	2139446	GMC	415991
2139446	GMC	455146!	2139446	GMC	455146!	2139446	GMC	455146!
2139447	GMC	415027	2139447	GMC	415027	2139447	GMC	415027
213R	TIMKE	213PKG	213R	TIMKE	213PKG	213R	TIMKE	213PKG
213W112	C-R	471192	213W112	C-R	471192	213W112	C-R	471192
213W112M1	C-R	471192	213W112M1	C-R	471192	213W112M1		

Zero Duplication or Recommended		Zero Duplication or Recommended		Zero Duplication or Recommended		Zero Duplication or Recommended	
Mfr. No.	Name	Mfr. No.	Name	Mfr. No.	Name	Mfr. No.	Name
2143	WHITE	21527-0387	GARLK	21527-1345	GARLK	21527-2465	GARLK
2143265	GMC	21527-0427	GARLK	21527-1402	GARLK	21527-2468	GARLK
214335	UNIVE	21527-0442	GARLK	21527-1405	GARLK	21527-2537	GARLK
214348	MICH	21527-0451	GARLK	21527-1408	GARLK	21527-2540	GARLK
214350	MICH	21527-0535	GARLK	21527-1414	GARLK	21527-2543	GARLK
214350	UNIVE	21527-0541	GARLK	21527-1420	GARLK	21527-2546	GARLK
214354	MICH	21527-0544	GARLK	21527-1426	GARLK	21527-2555	GARLK
214354	UNIVE	21527-0547	GARLK	21527-1432	GARLK	21527-2657	GARLK
214400	ALLCH	21527-0550	GARLK	21527-1471	GARLK	21527-2657	GARLK
2144138	GMC	21527-0550	GARLK	21527-1474	GARLK	21527-2663	GARLK
214439	WILYS	21527-0556	GARLK	21527-1480	GARLK	21527-2753	GARLK
214472	ALLCH	21527-0592	GARLK	21527-1486	GARLK	21527-2756	GARLK
21454	GARLK	21527-0595	GARLK	21527-1492	GARLK	21527-3125	GARLK
214556	CLARK	21527-0598	GARLK	21527-1498	GARLK	21527-3128	GARLK
214566	CLARK	21527-0643	GARLK	21527-1504	GARLK	21527-3275	GARLK
2146	TIMKE	21527-0645	GARLK	21527-1654	GARLK	21527-3278	GARLK
21462	GARLK	21527-0655	GARLK	21527-1657	GARLK	21527-3281	GARLK
214631	SPICE	21527-0664	GARLK	21527-1660	GARLK	21527-3872	GARLK
214687	CLARK	21527-0700	GARLK	21527-1666	GARLK	21527-3880	GARLK
214689	KRSE	21527-0703	GARLK	21527-1669	GARLK	21527-3883	GARLK
214701	CLARK	21527-0706	GARLK	21527-1678	GARLK	21527-4802	GARLK
214701	CLARK	21527-0712	GARLK	21527-1723	GARLK	21527-4965	GARLK
214706	CLARK	21527-0715	GARLK	21527-1738	GARLK	21527-6658	GARLK
21472	GARLK	21527-0718	GARLK	21527-1747	GARLK	21527-7126	GARLK
21472VA	IH	21527-0739	GARLK	21527-1750	GARLK	21527-7164	GARLK
214784	ALLCH	21527-0760	GARLK	21527-1801	GARLK	21527-7249	GARLK
214821	BRCWY	21527-0763	GARLK	21527-1807	GARLK	21527-7282	GARLK
214826	BRCWY	21527-0769	GARLK	21527-1813	GARLK	21527-7934	GARLK
214863680	GARLK	21527-0772	GARLK	21527-1819	GARLK	21527-7941	GARLK
21492	GARLK	21527-0775	GARLK	21527-1825	GARLK	21527-8074	GARLK
214941	CLARK	21527-0787	GARLK	21527-1888	GARLK	21527-8081	GARLK
2149423	GMC	21527-0826	GARLK	21527-1933	GARLK	21527-8035	GARLK
2149674	GMC	21527-0835	GARLK	21527-1939	GARLK	215270394	GARLK
2149740	GMC	21527-0838	GARLK	21527-1945	GARLK	215270424	GARLK
21498	GARLK	21527-0844	GARLK	21527-1948	GARLK	215270430	GARLK
214995	CLARK	21527-0859	GARLK	21527-1951	GARLK	215270436	GARLK
214R	TIMKE	21527-0899	GARLK	21527-2035	GARLK	215270439	GARLK
215	GARLK	21527-0907	GARLK	21527-2038	GARLK	215270439	GARLK
215	UNIVE	21527-0910	GARLK	21527-2041	GARLK	215271357	GARLK
2150	WHITE	21527-0913	GARLK	21527-2044	GARLK	215271357	GARLK
2150348	GMC	21527-0922	GARLK	21527-2047	GARLK	215278342	GARLK
2150348	GMC	21527-0925	GARLK	21527-2050	GARLK	215278342	GARLK
21503D	IH	21527-0928	GARLK	21527-2118	GARLK	21528-0109	GARLK
2150563	GMC	21527-0931	GARLK	21527-2121	GARLK	21528-0111	GARLK
2151090	GMC	21527-0931	GARLK	21527-2146	GARLK	21528-0113	GARLK
2151HC	SPG	21527-1042	GARLK	21527-2152	GARLK	21528-0115	GARLK
21523	FMC	21527-1045	GARLK	21527-2168	GARLK	21528-0143	GARLK
21525	C-R	21527-1048	GARLK	21527-2171	GARLK	21528-0147	GARLK
21527-0113	GARLK	21527-1051	GARLK	21527-2174	GARLK	21528-0151	GARLK
21527-0115	GARLK	21527-1057	GARLK	21527-2177	GARLK	21528-0153	GARLK
21527-0119	GARLK	21527-1063	GARLK	21527-2249	GARLK	21528-0159	GARLK
21527-0145	GARLK	21527-1066	GARLK	21527-2257	GARLK	21528-0161	GARLK
21527-0149	GARLK	21527-1069	GARLK	21527-2261	GARLK	21528-0213	GARLK
21527-0151	GARLK	21527-1075	GARLK	21527-2267	GARLK	21528-0215	GARLK
21527-0153	GARLK	21527-1114	GARLK	21527-2270	GARLK	21528-0217	GARLK
21527-0213	GARLK	21527-1117	GARLK	21527-2270	GARLK	21528-0219	GARLK
21527-0217	GARLK	21527-1120	GARLK	21527-2273	GARLK	21528-0225	GARLK
21527-0221	GARLK	21527-1129	GARLK	21527-2276	GARLK	21528-0269	GARLK
21527-0227	GARLK	21527-1132	GARLK	21527-2279	GARLK	21528-0273	GARLK
21527-0289	GARLK	21527-1135	GARLK	21527-2294	GARLK	21528-0275	GARLK
21527-0323	GARLK	21527-1198	GARLK	21527-2366	GARLK	21528-0291	GARLK
21527-0325	GARLK	21527-1204	GARLK	21527-2366	GARLK	21528-0293	GARLK
21527-0327	GARLK	21527-1207	GARLK	21527-2375	GARLK	21528-0295	GARLK
21527-0333	GARLK	21527-1210	GARLK	21527-2417	GARLK	21528-0297	GARLK
21527-0355	GARLK	21527-1252	GARLK	21527-2420	GARLK	21528-0301	GARLK
21527-0357	GARLK	21527-1270	GARLK	21527-2426	GARLK	21528-0303	GARLK
21527-0359	GARLK	21527-1270	GARLK	21527-2432	GARLK	21528-0353	GARLK
21527-0361	GARLK	21527-1321	GARLK	21527-2433	GARLK	21528-0355	GARLK
21527-0383	GARLK	21527-1324	GARLK	21527-2435	GARLK	21528-0361	GARLK
21527-0384	GARLK	21527-1327	GARLK	21527-2438	GARLK	21528-0535	GARLK
21527-0385	GARLK	21527-1333	GARLK	21527-2462	GARLK	21528-0544	GARLK

! Industrial Size/Type * Minor Width Difference = Call 1-800-480-1212 for price and delivery.

NUMERICAL

Zero Duplication or Recommended Industrial		Zero Duplication or Recommended Industrial		Zero Duplication or Recommended Industrial		Zero Duplication or Recommended Industrial		
Mfr. No.	Name	Mfr. No.	Name	Mfr. No.	Name	Mfr. No.	Name	
21528-0547	GARLK	473215!	21576 GARLK	473231!	21637 C-R	55X80X8!*	21702-0546 GARLK	473214
21528-0556	GARLK	471835!	2158 CARDX	473473	216375 UNIVE	455079!*	21702-0548 GARLK	473215!
21528-0643	GARLK	470625!	2158204 AMC	470590	21638 C-R	55X80X8!	21702-0550 GARLK	470950!
21528-0655	GARLK	473228	215841 CLARK	473474	21639 IH		21702-0550 GARLK	6241S
21528-0658	GARLK	451857	2158432 GMC	416288	21640 C-R	55X80X8	21702-0551 GARLK	470950!
21528-0664	GARLK	473440!	2158837 GMC	50883=	216400 UNIVE	455655!*	21702-0551 GARLK	6241S
21528-0700	GARLK	472213	2159 CARDX	472636!	21641 C-R	55X80X8V	21702-0552 GARLK	470950!
21528-0898	GARLK	471504!	21590 GARLK	473010!	21642 C-R	55X80X8!*	21702-0552 GARLK	6241S
21528-0904	GARLK	472164!	21598 GARLK	473232!	21645 C-R	55X80X8!*	21702-0592 GARLK	473224!
21528-0913	GARLK	472179	215A120X08 TROS	484058	21648 C-R	225500	21702-0597 GARLK	473016!
21528-0922	GARLK	471141!	215R TIMKE	215PKG	21648 C-R	55X68X8!	21702-0624 GARLK	473439!
21528-0925	GARLK	473448	216 C-R	5072	21649 C-R	55X82X12!	21702-0643 GARLK	470625!
21528-0928	GARLK	471984	21603 C-R	225500	21650 C-R	9195S=	21702-0644 GARLK	470625!
21528-1048	GARLK	472572!	21603 C-R	55X68X8!	21651 C-R	55X82X12!	21702-0645 GARLK	470625!
21528-1051	GARLK	473179!	2160782 GMC	473232!	21652 C-R	710127	21702-0655 GARLK	473228
21528-1057	GARLK	473238	21610 C-R	225505*	21660 C-R	55X85X10	21702-0657 GARLK	473228
21528-1063	GARLK	473239!	21610 C-R	55X70X8!	21660 C-R	55X85X8!	21702-0664 GARLK	473440!
21528-1186	GARLK	471870!	21611 C-R	55X70X8V!	216604 WILYS	471765!	21702-0700 GARLK	472213
21528-1189	GARLK	472492!	21611 C-R	710279	2166091 GMC	416332!	21702-0707 GARLK	471821!
21528-1198	GARLK	472924!	21611208 TROS	474255	21661 C-R	55X85X10!*	21702-0717 GARLK	470682
21528-1204	GARLK	472397!	21611508 TROS	8293S	21665 C-R	55X88X8	21702-0760 GARLK	473231
21528-1321	GARLK	470898 =	21611604 TROS	471801!	2166675 AMC	470530!	21702-0762 GARLK	473231
21528-1324	GARLK	473467	21611605 TROS	7686S	21668 C-R	55X85X10!	21702-0769 GARLK	473010
21528-1327	GARLK	472015!	21611608 TROS	450165	21670 C-R	55X90X13*	21702-0772 GARLK	473232
21528-1471	GARLK	471341!	21611608 TROS	471801!	21670 C-R	55X90X8!	21702-0774 GARLK	473232
21528-1474	GARLK	471272!	21611611 TROS	471801!	21671 C-R	55X90X13!*	21702-0829 GARLK	473445
21528-1492	GARLK	472636!	21612 C-R	710279	21673 C-R	55X90X13!	21702-0835 GARLK	473234
21528-1504	GARLK	411376!	21612008 TROS	473212!	216811604 TROS	42081S!	21702-0837 GARLK	473234
21528-1639	GARLK	473474	21612408 TROS	473214!	21682 VICK	474281!	21702-0843 GARLK	474265
21528-1654	GARLK	413246	21612804 TROS	473224!	21685 C-R	55X100X7	21702-0859 GARLK	471981
21528-1666	GARLK	416271!	21612808 TROS	473016!	21690 C-R	55X100X13*	21702-0898 GARLK	471504!
21528-1669	GARLK	412861	21613 C-R	710279	21690 GARLK	473237!	21702-0904 GARLK	472164!
21528-1801	GARLK	472029	21613204 TROS	470625!	216918 ALLCH	471103!	21702-0906 GARLK	472164!
21528-1807	GARLK	471271!	21613206 TROS	471689!	216928 ALLCH	450400	21702-0907 GARLK	472185!
21528-1822	GARLK	415001!	21613206C TROS	470625!	21692D IH	481864	21702-0909 GARLK	472185!
21528-1828	GARLK	455079!	21613208 TROS	470625!	21693 C-R	55X100X13	21702-0913 GARLK	472179
21528-1834	GARLK	455655!	21613212 TROS	470625!	216952 US-EL	472258!	21702-0928 GARLK	471984
21528-2035	GARLK	416664!	21613604 TROS	472213	216959R91 IH	40316S	21702-1048 GARLK	472572!
21528-2038	GARLK	417484!	21614804 TROS	6703S	216985 ALLCH	471442!	21702-1050 GARLK	472572!
21528-2041	GARLK	415984!	21614806 TROS	450400	216990 ALLCH	471276	21702-1057 GARLK	473238
21528-2050	GARLK	416706!	21614808 TROS	450400	216A15006 TROS	321460	21702-1069 GARLK	473240!
21528-2168	GARLK	417349	21619 C-R	225530	216A15006C TROS	321460	21702-1075 GARLK	473458!
21528-2174	GARLK	415995!	216193680 GARLK	7973S	216C13104 TROS	40468	21702-1114 GARLK	472319
21528-4584	GARLK	473197	216193709 GARLK	417608	216D13206 TROS	9363S	21702-1129 GARLK	472144!
21528-51	GARLK	471526!	21620 C-R	225530	216R TIMKE	216PKG	21702-1135 GARLK	472394
21528-55	GARLK	471549!	21620 C-R	55X72X8!	216V15BULK NATL	216-V35BULK	21702-1150 GARLK	450472!
21528-67	GARLK	471281!	21621 C-R	55X72X8V	2170013 GMC	415458!	21702-1162 GARLK	450474*
21528-69	GARLK	471535!	21623 C-R	225530	21702-0111 GARLK	471538!	21702-1186 GARLK	471870!
21528-87	GARLK	471466!	21623 C-R	55X72X8!	21702-0113 GARLK	471553!	21702-1189 GARLK	472492!
21528-91	GARLK	471255!	21624 C-R	225535	21702-0144 GARLK	471567!	21702-1191 GARLK	472492!
21528-93	GARLK	471564	21624 C-R	55X72X8!*	21702-0147 GARLK	471643!	21702-1201 GARLK	470530!
215280287	GARLK	471224!	21625 C-R	55X75X10	21702-0148 GARLK	471643!	21702-1204 GARLK	472397!
215280351	GARLK	471652	21626 C-R	55X75X10V	21702-0159 GARLK	481443!	21702-1206 GARLK	472397!
215280541	GARLK	471192	21627 C-R	225545	21702-0175 GARLK	471539!	21702-1323 GARLK	470898
215280646	GARLK	470059	21628 C-R	1207	21702-0213 GARLK	471267!	21702-1329 GARLK	472015!
215280646	GARLK	470380!	21628 C-R	1207N	21702-0215 GARLK	471570!	21702-1332 GARLK	410308!
2152853	GARLK	471472!	21629 C-R	225530*	21702-0216 GARLK	471570!	21702-1340 GARLK	472409!
2152871	GARLK	471551!	21629 C-R	55X72X8!*	21702-0219 GARLK	471646!	21702-1402 GARLK	472018
215348	CLARK	470605!	21630 C-R	55X78X10	21702-0224 GARLK	471137	21702-1471 GARLK	471341!
21537 C-R		450621*	21631 C-R	55X78X10	21702-0270 GARLK	451583!	21702-1473 GARLK	471341!
21538 C-R		450621*	2163192 GMC	450593!	21702-0288 GARLK	471224!	21702-1476 GARLK	471272!
21539 C-R		450621*	21632 C-R	55X78X10!*	21702-0291 GARLK	471649!	21702-1494 GARLK	472636!
215393 WILYS		471733	21633 C-R	55X85X10!*	21702-0293 GARLK	471689!	21702-1504 GARLK	411376!
21540 C-R		473245!	216335 UNIVE	410496!	21702-0323 GARLK	471651	21702-1505 GARLK	411376!
215412 CLARK		415449=	216337 UNIVE	470605!	21702-0353 GARLK	471692!	21702-1642 GARLK	470565!
2155638 GMC		5751	216350 MICH	415449!	21702-0383 GARLK	472475	21702-1644 GARLK	470565!
21560 C-R		412943	216350 UNIVE	415449!	21702-0385 GARLK	473426	21702-1654 GARLK	413246
21561 C-R		412943	216354 MICH	415001!	21702-0390 GARLK	471354!	21702-1656 GARLK	413246
2156231 GMC		471466!	216354 UNIVE	415001!	21702-0427 GARLK	471766!	21702-1658 GARLK	412119!
21566 GARLK		473230!	216354SL MICH	415001!	21702-0430 GARLK	471787!	21702-1668 GARLK	416271!
215745 OILGR		481443!	216362 MICH	416273!	21702-0535 GARLK	470774!	21702-1680 GARLK	417480!
2157507 GE		411376!	216362 UNIVE	416273!	21702-0544 GARLK	473214!	21702-1750 GARLK	417073

! Industrial Size/Type * Minor Width Difference = Call 1-800-480-1212 for price and delivery.

Zero Duplication or Recommended		Zero Duplication or Recommended		Zero Duplication or Recommended		Zero Duplication or Recommended		
Mfr. No.	Name	Mfr. No.	Name	Mfr. No.	Name	Mfr. No.	Name	
21702-1752	GARLK	417073	21702-3277	GARLK	417362!	21733	RELEE	415294!
21702-1807	GARLK	471271!	21702-3278	GARLK	417363	21736	C-R	473244!
21702-1819	GARLK	415449!	21702-3279	GARLK	417363	21736	C-R	473244*
21702-1821	GARLK	415449!	21702-3280	GARLK	417363	21742	C-R	473244
21702-1882	GARLK	413479	21702-3281	GARLK	416666	217431	ALLCH	473214!
21702-1939	GARLK	415483!	21702-3282	GARLK	416666	21744D	IH	410102
21702-1948	GARLK	417343!	21702-3283	GARLK	416666	217484	ALLCH	470059
21702-1993	GARLK	455434	21702-3355	GARLK	415683	217484	ALLCH	470380!
21702-2004	GARLK	455151	21702-3367	GARLK	415072	21749	C-R	472234
21702-2032	GARLK	480491	21702-3384	GARLK	415074	2174901	GMC	472015!
21702-2035	GARLK	416664!	21702-3426	GARLK	415294!	21752	C-R	472234
21702-2038	GARLK	417484!	21702-3518	GARLK	416044	21753	C-R	472234
21702-2044	GARLK	417316!	21702-3544	GARLK	415867	217534	ALLCH	471750!
21702-2045	GARLK	417316!	21702-3601	GARLK	417601	217535	ALLCH	471276
21702-2046	GARLK	417316!	21702-3610	GARLK	417604	217535	SPERY	471831 =
21702-2047	GARLK	415960	21702-3624	GARLK	415090	217536	ALLCH	471141!
21702-2048	GARLK	415960	21702-3660	GARLK	417605	21755	C-R	472234
21702-2049	GARLK	415960	21702-3673	GARLK	417198	21756	C-R	4740
21702-2086	GARLK	455005	21702-3869	GARLK	472705!	21756	MA-PR	343185
21702-2088	GARLK	455005	21702-3921	GARLK	417601	217570	ALLCH	415007
21702-2115	GARLK	415303!	21702-3938	GARLK	417604	21758	C-R	472018
21702-2124	GARLK	416921!	21702-3949	GARLK	455966	21759	C-R	472018
21702-2168	GARLK	417349	21702-3954	GARLK	455462	21761	C-R	472018
21702-2170	GARLK	417349	21702-4031	GARLK	55228 =	2176189	GMC	471103!
21702-2172	GARLK	417350!	21702-4062	GARLK	415076	21762	C-R	472018*
21702-2174	GARLK	415995!	21702-4503	GARLK	55301S	21763	C-R	472018 =
21702-2177	GARLK	417351!	21702-4507	GARLK	455462	217639H1	IH	415551
21702-2180	GARLK	417487!	21702-4560	GARLK	415294!	21764	C-R	472018*
21702-2180	GARLK	417487	21702-5246	GARLK	470625!	217640H1	IH	415066
21702-2183	GARLK	417488!	21702-55	GARLK	471549!	21766	C-R	472018
21702-2186	GARLK	455019!	21702-77	GARLK	471532	21767	C-R	472018
21702-2198	GARLK	455019!	21702-80	GARLK	473405	21769	C-R	4740
21702-2225	GARLK	417621!	21702-87	GARLK	471466!	21769	C-R	8974S*
21702-2237	GARLK	416297	21702-91	GARLK	471255!	21770	C-R	8974S
21702-2270	GARLK	476470	21702-9808	GARLK	471689!	21771	C-R	8974S
21702-2273	GARLK	417181!	217020287	GARLK	471224!	21771	RELEE	473228!
21702-2327	GARLK	417354!	217020351	GARLK	471652	21775	C-R	473471
21702-2348	GARLK	417493	217020362	GARLK	471785!	2177BG	SPG	712598
21702-2366	GARLK	415991	217020387	GARLK	471765!	2177BX	SPG	2177
21702-2366	GARLK	455146!	217020388	GARLK	471765!	2178091	GMC	471649!
21702-2367	GARLK	415991	217020424	GARLK	471750!	217813H1	IH	471195!
21702-2367	GARLK	455146!	217020425	GARLK	471750!	21787	C-R	472020
21702-2369	GARLK	417196!	217020439	GARLK	450165	217873	ALLCH	472144!
21702-2372	GARLK	415437	217020439	GARLK	471801!	217873	MASSE	472144!
21702-2393	GARLK	415711	217020441	GARLK	450165	21788	C-R	472020
21702-2417	GARLK	416332!	217020441	GARLK	471801!	2179	UNIVE	418028
21702-2421	GARLK	415937!	217020484	GARLK	450129	2179	UNIVE	455137!
21702-2462	GARLK	415379	217020484	GARLK	472826!	21795D	IH	470530!
21702-2462	GARLK	415379!	217020543	GARLK	471192	21798	C-R	470354*
21702-2501	GARLK	417211!	217020646	GARLK	470059	217985	HYST	J1121
21702-2504	GARLK	416345!	217020646	GARLK	470380!	217986	GMC	6090S
21702-2519	GARLK	476470!	217020648	GARLK	470059	21799	C-R	470354*
21702-2519	GARLK	476470	217020648	GARLK	470380!	2179922	GMC	470954
21702-2537	GARLK	415035	2170237	GARLK	50199S!	2179931	GMC	471192
21702-2600	GARLK	417511	2170237	GARLK	6863S!	217A124X06.5	TROS	9569S
21702-2636	GARLK	417513	2170238	GARLK	50199S!	217R	TIMKE	217PKG
21702-2663	GARLK	416891!	2170238	GARLK	6863S!	218	C-R	417584+99499
21702-2711	GARLK	416380!	2170250	GARLK	471442!	218	C-R	5624
21702-2723	GARLK	416149	217032	ALLCH	471192	2180	UNIVE	415991
21702-2753	GARLK	416888!	217036B	OLIVE	40061S =	2180	UNIVE	455146!
21702-2759	GARLK	416892!	217039	ALLCH	450400	21802	GARLK	472439
21702-2807	GARLK	416158	21704	GARLK	472164!	21808	C-R	3095
21702-2837	GARLK	415138!	21709D	IH	455019!	21809	C-R	470354
21702-2915	GARLK	415725!	217103	ALLCH	472258!	21810	C-R	470354
21702-2921	GARLK	416865!	217106	ALLCH	471267!	21811	C-R	470354*
21702-2922	GARLK	416865!	217130	CINMI	416891!	21812	C-R	470354*
21702-2927	GARLK	417541	21714	GARLK	472185!	21812004	TROS	40769S
21702-3059	GARLK	417262!	217164	ALLCH	473238	21812005	TROS	40769S
21702-3067	GARLK	415645!	21726	GARLK	472179	21812404	TROS	42763
21702-3067	GARLK	455104	21726F	OSHKO	476470!	21812405	TROS	42763
21702-3184	GARLK	416107!	21726F	OSHKO	476470	21812408	TROS	50402
21702-3184	GARLK	455073	21732	RELEE	473010!	2181265	GMC	472397!
21814	C-R	6636S	21814	GARLK	472572!	21820	C-R	470354
21820	C-R	6270	218205R91	IH	5401	21820D	IH	415371
218206R91	IH	471529	21823-0109	GARLK	471538!	21823-0113	GARLK	471553!
21820D	IH	471579	21823-0115	GARLK	471567!	21823-0115	GARLK	471579
21823-0109	GARLK	471567!	21823-0143	GARLK	471643!	21823-0147	GARLK	471643!
21823-0111	GARLK	450033	21823-0151	GARLK	470390	21823-0151	GARLK	470390
21823-0113	GARLK	481443!	21823-0153	GARLK	481443!	21823-0159	GARLK	481443!
21823-0115	GARLK	481568!	21823-0161	GARLK	471570!	21823-0161	GARLK	481568!
21823-0115	GARLK	471633!	21823-0215	GARLK	471633!	21823-0215	GARLK	471570!
21823-0129	GARLK	471646!	21823-0217	GARLK	471633!	21823-0217	GARLK	471633!
21823-0225	GARLK	471730	21823-0219	GARLK	471646!	21823-0219	GARLK	471646!
21823-0269	GARLK	451583!	21823-0225	GARLK	471730	21823-0225	GARLK	471730
21823-0273	GARLK	471648	21823-0269	GARLK	451583!	21823-0273	GARLK	471648
21823-0275	GARLK	471688	21823-0273	GARLK	471648	21823-0275	GARLK	471688
21823-0291	GARLK	471649!	21823-0275	GARLK	471688	21823-0291	GARLK	471649!
21823-0297	GARLK	471733	2176189	GMC	471103!	21823-0297	GARLK	471733
21823-0301	GARLK	471760	21762	C-R	472018*	21823-0301	GARLK	471760
21823-1324	GARLK	473467	21763	C-R	472018 =	21823-1324	GARLK	473467
21823-51	GARLK	471526!	217639H1	IH	415551	21823-1324	GARLK	473467
21823-55	GARLK	471549!	21764	C-R	472018*	21823-51	GARLK	471526!
21823-69	GARLK	471535!	217640H1	IH	415066	21823-55	GARLK	471549!
21823-87	GARLK	471466!	21766	C-R	472018	21823-69	GARLK	471535!
21823-91	GARLK	471255!	21767	C-R	472018	21823-87	GARLK	471466!
21823-93	GARLK	471564	21769	C-R	4740	21823-91	GARLK	471255!
2182353	GARLK	471472!	21769	C-R	8974S*	21823-93	GARLK	471564
2182371	GARLK	471551!	21770	C-R	8974S	21823-93	GARLK	471564
21828	GARLK	473238!	21771	C-R	8974S	2182353	GARLK	471472!
21828	HYST	470088	21771	RELEE	473228!	2182371	GARLK	471551!
218283TB	TRSCM	473244!	21775	C-R	473471	21828	HYST	470088
218284	ALLCH	415960!	2177BG	SPG	712598	218283TB	TRSCM	473244!
218294TL	TRSCM	472234	2177BX	SPG	2177	218284	ALLCH	415960!
218304TB	TRSCM	8974S	2178091	GMC	471649!	218294TL	TRSCM	472234
218313	ALLCH	471224	217813H1	IH	471195!	218304TB	TRSCM	8974S
218327	ALLCH	473367!	21787	C-R	472020	218313	ALLCH	471224
218327	ALLCH	473367	217873	ALLCH	472144!	218327	ALLCH	473367!
21835	GARLK	473239!	217873	MASSE	472144!	218327	ALLCH	473367
218350	MICH	415302	21788	C-R	472020	21835	GARLK	473239!
218350	UNIVE	415302	2179	UNIVE	418028	218350	MICH	415302
218354	UNIVE	455311	2179	UNIVE	455137!	218350	UNIVE	415302
21836	C-R	473245!	21795D	IH	470530!	218354	UNIVE	45531

Zero Duplication or Recommended Industrial		Zero Duplication or Recommended Industrial		Zero Duplication or Recommended Industrial		Zero Duplication or Recommended Industrial	
Mfr. No.	Name	Mfr. No.	Name	Mfr. No.	Name	Mfr. No.	Name
21870	HYST	450147	2196516	GO-TI	3214	22008	DANMA
218703	ALLCH	473231!	2196517	GO-TI	3348	220083	SPG
2187813	GMC	6245S=	2196518	GO-TI	1955	22009	DANMA
2188404	GMC	471141!	2196518	GO-TI	52X65X9!	220096	CLARK
21886	VICK	472425	2196519	GO-TI	3199	2201050	GRAM
21890	C-R	412943	2196520	GO-TI	1955	2201055	GRAM
2189804	GMC	471192	2196520	GO-TI	52X65X9!	2201079X	GRAM
218R	TIMKE	218PKG	21969D	IH	473367!	220120	SPG
219	C-R	45X70X10+99177	21969D	IH	473367!	220126	CLARK
219-6404	GO-TI	8139	219774	JEFF	473016!	22013	C-R
219-6405	GO-TI	7607	2198804	GMC	471192	22014	C-R
219-6406	GO-TI	7934S	219899	JEFF	415001!	22015	C-R
21900	C-R	412943*	219899	SUL	415001!	22018	C-R
219023	OILGR	471647	219929	ALLCH	415254	22018	C-R
21910	C-R	413472	2199335	GMC	471267!	220184	ALLCH
219155	ALLCH	470334!	219A125X08.25	TROS	8660S	2201889	CHRY
21918	C-R	710413	219D4	WHITE	472636!	220194	ALLCH
2191897	GMC	473010	219R	TIMKE	219PKG	22020	C-R
21918D	IH	415995!	21C7052	FORD	410059	22020	C-R
2192652	GMC	416865!	21C7052	FORD	470380!	220207	CLARK
21934	C-R	416268	21C7052A	FORD	410059	220214	CLARK
219355TBJ	TRSCM	2286	21C7052A	FORD	470380!	22022	C-R
21938	C-R	3103!	21C7052A1	FORD	410059	22023	GARLK
219396	ALLCH	472560N!	21C7052A1	FORD	470380!	220230	SPG
21940	C-R	415350*	21C7052A2	FORD	410059	22024	C-R
21944K	IH	473438	21C7052A2	FORD	470380!	22025	C-R
219475	ALLCH	415138!	21D2531	FWD	471750!	22025	C-R
2194OS	JN-MN	417606*	21D6131	FWD	471554!	22026	C-R
21950	C-R	415350	21FZ-1177AB	FORD	3622	22028	C-R
21952	C-R	5604	21FZ-7F401AA	FORD	4189H	22029	C-R
21953	C-R	710171	21RM201	CONTI	470334!	220294	CLARK
21955	C-R	2286	21X10043B	JOHND	416888!	220295R91	IH
21955D	IH	473460	21X10052B	JOHND	343185	2202993SA	TRSCM
219594	FRUEH	480630	21X12461A	JOHND	417344!	22030	C-R
2196057	GMC	472397!	21X12544A	JOHND	473214!	22030	C-R
21961	C-R	3553	21X12544B	JOHND	473214!	22030	C-R
21961	RELEE	416156	21X14213B	JOHND	415458!	22031	C-R
21962	C-R	5604	21X14214A	JOHND	471138!	220316	ALLCH
219621	ALLCH	471868	21X14479A	JOHND	473203!	22033	C-R
2196401	GO-TI	473317	21X15184A	JOHND	471224!	220337DSL	MICH
2196403	GO-TI	41257!	21X15517A	JOHND	415138!	22034	JOY
2196407	GO-TI	8705S	21X18141A	JOHND	415327	22035	C-R
2196408	GO-TI	9406S	21X2813	GARLK	415064	22035	GARLK
2196409	GO-TI	9015S	21X35X7ASN(35)	ISP	21X35X7	220350	UNIVE
2196410	GO-TI	8121S	21X35X8SC	TRSCM	21X35X8	220352	SPG
2196411	GO-TI	6815	21X35X8TC	TRSCM	21X35X8	220362	MICH
2196414	GO-TI	8871	21X51544A	JOHND	455056	220362	UNIVE
2196415	GO-TI	5121	21X52416A	JOHND	471984	22037	C-R
2196416	GO-TI	3087	21Y2997	GW	472636!	220375	MICH
2196417	GO-TI	3357	22-CT115	OSHKO	417254	220375	UNIVE
2196418	GO-TI	1196	22001	DANMA	470625!	22038	C-R
2196419	GO-TI	6840S	220010	DANMA	473236!	220387	UNIVE
2196420	GO-TI	9406S	220011	MINNM	471787!	220388	MICH
2196421	GO-TI	1217	220013	DANMA	204002	220389R91	IH
2196422	GO-TI	1195	220015	DANMA	473227	220395	FORD
2196423	GO-TI	224820	220017	DANMA	472015!	220395	FORD
2196423	GO-TI	48X62X8!	220018	DANMA	470625!	220395	FORD
2196424	GO-TI	1188	220019	DANMA	204017	22040	C-R
2196425	GO-TI	4148	22002	DANMA	472164!	220400	UNIVE
2196501	GO-TI	9568	220020	DANMA	471750	22042	C-R
2196502	GO-TI	9363S	220021	DANMA	40370S	220439	CLARK
2196503	GO-TI	5124	220022	DANMA	204017	2204OS	JN-MN
2196504	GO-TI	8660S	220027	SPG	471554!	22050	C-R
2196505	GO-TI	8704S	22003	DANMA	471192	2205080	CHRY
2196506	GO-TI	8695S	22005	C-R	710169	22053	C-R
2196508	GO-TI	5124	22005	DANMA	450165	22056	GARLK
2196509	GO-TI	8835S	22005	DANMA	471801!	220570	CINMI
2196511	GO-TI	9569S	22006	DANMA	471766!	220570	CLARK
2196512	GO-TI	2689S	22006	GARLK	471424!	220571	CINMI
2196513	GO-TI	473228	22006X	MASSE	471821!	2205BGR	SPG
2196514	GO-TI	1012	22007	DANMA	450492	22060	C-R
2196514	GO-TI	1012N	2200730	CHRY	471267!	220631	US-EL
						220705	FORD
						220705	WOODB
						22071	C-R
						22071	GARLK
						22074	US-EL
						2207484	CHRY
						22075	C-R
						22075	C-R
						220752	SPG
						220753H4	IH
						220762	FORD
						220762	WOODB
						22076X	MASSE
						220785	ALLCH
						22080	C-R
						220800	CLARK
						220816	CLARK
						220818	TIMKE
						220845	CLARK
						220860	TIMKE
						220866	CINMI
						2208947	GMC
						2208B-652	ROCKW
						2208C-575	ROCKW
						2208C-835	ROCKW
						2208E-889	ROCKW
						2208N-820	ROCKW
						2208R-928	ROCKW
						2208U463	TIMKE
						2208W-412	ROCKW
						2208W-413	ROCKW
						2208X-440	ROCKW
						2208Z-416	ROCKW
						220915	JEFF
						220918	TIMKE
						2209334	GMC
						22099H	IH
						2209K-791	ROCKW
						220R	TIMKE
						220X250X15SC	TRSCM
						220X250X15TC	TRSCM
						221000	NEHO
						2210228	GMC
						221040	TIMKE
						221042	CLARK
						221047	CLARK
						2210611	GMC
						2210851	GMC
						2211035	WOOL
						221122	TIMKE
						22113206.5	TROS
						22114405	TROS
						22114407	TROS
						221167	KEN
						221192	CLARK
						221193	CLARK
						221194	CLARK
						22120	C-R
						221207	SPG
						221207	TIMKE
						221208	TIMKE
						221209	KEN
						221212	OILGR
						221233	KEN
						221233	PACIF
						22125	C-R
						22125	UNIVE
						221270	NATL
						2212953	GMC
						22130	C-R
						221344	CLARK
						22137	MICH
						450430	
						473214!	
						472924!	
						50468	
						472439=	
						450457	
						471766!	
						471554!	
						471224!	
						417344!	
						710108	
						56X70X8V	
						56X70X8	
						225650	
						56X72X7*	
						471766!	
						6241S	
						471649!	
						225650	
						56X72X11.5!	
						472213	
						474255	
						710069	
						472492!	
						471689!	

Zero Duplication or Recommended			Zero Duplication or Recommended			Zero Duplication or Recommended			Zero Duplication or Recommended		
Mfr. No.	Name	Industrial	Mfr. No.	Name	Industrial	Mfr. No.	Name	Industrial	Mfr. No.	Name	Industrial
22137	UNIVE	471553!	222075	NATL	20X47X7	22254007	ALLCH	473444	223065	NATL	30X62X7
22138W	DIA	410308!	222079	KEN	7131	222541	NATL	222540	223086	CLARK	416380!
221410	NATL	14X24X7!	222079	PACIF	8724S	222556	TIMKE	222556	2230B	GOODM	417316!
221410	TIMKE	221410	2220881	GMC	6612S	222558	TIMKE	222558	2230C	GOODM	417316!
22143	C-R	473467	2220883	GMC	471413	222560	NATL	25X47X7	2230D	GOODM	417316!
221430	NATL	14X28X6	222092	NATL	20X52X7	222560	TIMKE	222560	2231	CARDX	473463
22144	FMC	471820	2220RC	SUL	471271!	222570	NATL	25X52X7!	2231056	GMC	471689!
2214569	GMC	416654	22210	GARLK	473243	222571	CLARK	471413!	2231071	GMC	472636!
221490	NATL	14X35X7	222101	HOUGH	416107!	222580	TIMKE	222580	22311	C-R	722109
2215	MID-R	471466!	222101H1	IH	416107!	22260	C-R	57X92X8!	223112	C-R	473214
22150	MICH	471579	222110	HOUGH	412119!	2226149	CHRY	323138!	223112M1	C-R	473214
22150	UNIVE	471579*	222117	HOUGH	410308!	22261VB	TRSCM	341022	223114	C-R	473016!*
221503	CLARK	471868	222120	HOUGH	472397!	22262	C-R	57X92X8*	223116	C-R	470625!
221510	NATL	15X25X6	222124	C-R	450400*	222630	TIMKE	222630	223116M1	C-R	470625!
221510	TIMKE	221510	2221481	GMC	471689!	222650	NATL	26X47X7	223124	C-R	450400*
221518R91	IH	472560N!	222182	CLARK	412433!	2226530	GMC	415351!	223137B	TRSCM	471138!
221520	NATL	15X26X7	222183	CLARK	417316!	2226549	GMC	415995!	2231431	GMC	472258
221540	NATL	15X30X7	2221RC	SUL	415302	222655	TIMKE	222655	22317	GARLK	471138!
221540	TIMKE	221540	2222	SHOV	415036	222660	KEN	415073N=	223184PTB	TRSCM	410737!
221550	NATL	15X32X8	2222	UNIVE	2222	2226696	GMC	415458!	2231D	GOODM	415960!
221551	JEFF	471765!	2222	UNIVE	6922=	222714	ALLCH	470950!	2232	CARDX	450456!
221560	NATL	15X35X7	222208	ALLCH	416125!	222714	ALLCH	6241S	223207XX	TIMKE	22X32X7
22159	GARLK	473204	222210	NATL	22X32X7	2227339	GMC	411376!	223210	TIMKE	223210
221592R91	IH	40316S	222210	TIMKE	222210	222742	TIMKE	222742	2232123	CHRY	5M867
2216	MID	471267!	222220	NATL	22X35X7	222743	TIMKE	222743	223215	TIMKE	223215
2216	MID-R	471267!	222220	TIMKE	222220	222745	TIMKE	222745	223220	TIMKE	223220
221607	TIMKE	221607	222230	ALLCH	471765!	222768	CLARK	415991!	22322VAY	TRSCM	40316S
221610	TIMKE	221610	2222374	GMC	417191	222768	CLARK	415991!	22323	C-R	471341!
2216104	GMC	481568!	222238	TIMKE	222238	2227716	CHRY	474276!	223230	SPG	32X45X7
221620	NATL	16X30X7	22224	C-R	1964	222820	TIMKE	222820	223230	TIMKE	223230
221620	TIMKE	221620	222240	TIMKE	222240	222828	CLARK	476470	223235	TIMKE	223235
221640	NATL	16X35X7	222242	TIMKE	222242	222822VH	TRSCM	43034S	22324	C-R	411452=
22168D	IH	415072	2222423	GMC	471267!	222830	TIMKE	222830	223240	TIMKE	223240
22170	C-R	50631	22225	C-R	1984	222835	TIMKE	222835	2232415	GMC	5452\$
22171	GARLK	470898	2222591	GMC	415991	22284	C-R	710086	22324TA	TRSCM	472636
221710	TIMKE	221710	2222591	GMC	455146!	222860	TIMKE	222860	22325	C-R	43034S
22171HA	IH	417181!	222260	PACIF	415073N=	222867	KEN	9555S	223250	TIMKE	223250
22171X	MASSE	415960	222267	TIMKE	222267	222867	PACIF	9555S	223252	TIMKE	223252
221720	NATL	17X30X7	222270	NATL	22X47X7	2228694	GMC	370023A	223253	TIMKE	223253
221720	TIMKE	221720	222270	TIMKE	222270	222878	OILGR	473313	223255	SPG	32X52X7
221730	NATL	17X32X7	222272	FORD	481792	222880	NATL	28X52X7	223255	TIMKE	223255
221730	TIMKE	221730	222273	FORD	471192	2229	NATEN	416137	223255A	TRSCM	472636
221735	TIMKE	221735	22230	C-R	710072	22293	LAVIN	474276!	22327	C-R	471341!
22175	C-R	7568	222309	WOOL	415991	2229540	GMC	455037	22328	C-R	453613*
221760	NATL	17X40X7	222310	TIMKE	222310	222A14704	TROS	6840S	223297	NEHO	471271!
2218	NATL	415379!	222330	TIMKE	222330	222A147X07.5	TROS	481537	2232D	GOODM	416706!
2218	TIMKE	415379	222340	TIMKE	222340	222R	TIMKE	2222PKG	22330	C-R	471341!
221810	SPERY	471413	2223597	GMC	417506	223	CHEL	471760	22331	C-R	471341!
221820	TIMKE	221820	222375	MICH	455151	2230	NATEN	416339	22332	C-R	471341!
221830	NATL	18X32X8	222375	UNIVE	455151	223005	NATEN	455031!	22332R	DIA	470898!
221830	TIMKE	221830	222387	UNIVE	455008*	223005	SPG	30X40X7	22333	C-R	471341!
22186	GARLK	472015!	222388	MICH	455008	223005	TIMKE	223005	22333	GMC	417536
221870	NATL	18X40X7	22240	C-R	57X81X8*	223010	TIMKE	223010	22333TB	TRSCM	412920!
2218RC	SUL	415458!	222407	KEN	456483=	223012	TIMKE	223012	22333TBN	TRSCM	412920!
221920	TIMKE	221920	222408	KEN	456305	223014	TIMKE	223014	22333VB	TRSCM	412920
221922	TIMKE	221922	222408	PACIF	456305	223015	NATL	223014	22334	C-R	471341!
221925	TIMKE	221925	222409	PACIF	254287	223018	TIMKE	223018	223340	TIMKE	223340
22196X	IH	473231	222410	NATL	24X35X7	223020	NATL	30X47X7	22334SA	TRSCM	412920
22196X	MASSE	473231	222410	TIMKE	222410	223020	SPG	30X47X7	22334TA	TRSCM	412920!
22198	GARLK	472016!	222430	TIMKE	222430	223020	TIMKE	223020	223354TA	TRSCM	411253
2219RC	SUL	411394!	22245	C-R	1928*	22302TA	TRSCM	471272!	22338	C-R	471341*
221R	TIMKE	221PKG	222450	TIMKE	222450	22302VHY	TRSCM	40520S	22338	C-R	471341!
222020	NATL	20X32X7	222455	NATL	24X47X7	22303	GARLK	471272!	22339	C-R	471341!
222020	SPG	20X32X7	22250	C-R	1928	223035	TIMKE	223035	2234	ALLCH	471570!
222020	TIMKE	222020	222510	TIMKE	222510	2230357	SPG	30X52X7	22340	C-R	471341!
222025	SPG	20X30X7	222510	WMG	1998	22303VTB	TRSCM	471272	223400	TIMKE	223400
222025	TIMKE	222025	2225342	GMC	471442!	223042H1	IH	470530	22341	GARLK	412920!
222028	TIMKE	222028	222535	TIMKE	222535	223042R95	IH	470530=	223410	TIMKE	223410
222030	TIMKE	222030	222539	ALLCH	473424!	22304TA	TRSCM	471272	2234133	IVECO	713132
222036	TIMKE	222036	222540	ALLCH	473444	223050	TIMKE	223050	223420	TIMKE	223420
222050	TIMKE	222050	222540	SPG	25X40X7	22306	C-R	341022	2234377	GMC	370012A
222060	TIMKE	222060	222540	TIMKE	222540	22306	FMC	472150	2234378	GMC	370012A

! Industrial Size/Type * Minor Width Difference \$F-M Number Is Part Of A Kit = Call 1-800-480-1212 for price and delivery.

NUMERICAL

Zero Duplication or Recommended Industrial		Zero Duplication or Recommended Industrial		Zero Duplication or Recommended Industrial		Zero Duplication or Recommended Industrial		
Mfr. No.	Name	Mfr. No.	Name	Mfr. No.	Name	Mfr. No.	Name	
223440	TIMKE	223440	223805 TIMKE	223805	2241142 GMC	240731	224388 MICH	415960!
22345	C-R	471341!	223807XX TIMKE	22X38X7	2241143 GMC	240736	22440 C-R	472636!
22346	C-R	471341!	223808XX TIMKE	22X38X8	22412404 TROS	473215!	224400 TIMKE	224400
2234866	CHRY5	417316!	22382 C-R	473473	22412408 TROS	473215!	224400 UNIVE	416706!
22349	C-R	471272*	223820 NATL	1174	22412411.25 TROS	473215!	224400MA IH	476838!
22349	C-R	471272!	223820 NATL	38X52X8.5!	22412808 TROS	473225!	22441 C-R	472636!
2234D	GOODM	416282	223830 TIMKE	223830	22413 C-R	410737!	22442 C-R	472636!
22350	C-R	471272!	223830 WMG	223832	22413204 TROS	470380!	224425 UNIVE	416282
2235018	GMC	5778	223831 TIMKE	223831	22413206.25 TROS	470380!	22443 C-R	472636!*
223507XX	TIMKE	22X35X7	223832 NATL	223830	22413208 TROS	470380!	22443 TMTR	473232!
2235082	GMC	416888!	223832 NATL	38X55X7!	22413209 TROS	470380!	22444 C-R	472636!
22351	C-R	40520S	22384 C-R	473473*	22413212 TROS	410059	22445 C-R	472636!*
223510	SPG	35X47X7	22384 HI-EQ	471413!	22413212 TROS	470380!	224450 TIMKE	224450
223510	TIMKE	223510	223840 TIMKE	223840	22413604 TROS	40438S	22446 C-R	472636*
2235140	CHRY5	450400	223842 TIMKE	223842	22413606.5 TROS	472299	22446 C-R	472636!
223520	NATL	35X50X8!	223843 TIMKE	223843	22413608 TROS	472299	22446 GARLK	413247!
223520	TIMKE	223520	22385 C-R	473473	224139X04 TROS	1192	224460 TIMKE	224460
22353	C-R	471272!	2238502 GMC	5410\$	22414 C-R	410737!	224462 SPG	44X62X8
223535	TIMKE	223535	2238542 GMC	5473\$	22414004 TROS	473231!	224462 TIMKE	224462
223538	CLARK	415483	2238543 GMC	5408	22414008 TROS	473231	2244627 GMC	5452
22354	C-R	471272!	22388 LAVIN	473426	22414404 TROS	473233!	224464 TIMKE	224464
223540	TIMKE	223540	223880C1 CASE	472843	22414408 TROS	473233!	224465 TIMKE	224465
223542	TIMKE	223542	2238860 CHRY5	417487!	22414807 TROS	473237	22447 C-R	472636!
223543	TIMKE	223543	2238860 CHRY5	417487	224150 TIMKE	224150	224470 TIMKE	224470
2235490	CHRY5	415995!	2238860 GMC	417487!	224156 CINMI	415076	22448 C-R	472636!
22354TA	TRSCM	411376!	2238860 GMC	417487	22415HA IH	411253!	22448 C-R	472636*
22355	C-R	471272!	22389 LAVIN	471504!	22417 C-R	410737!*	22449 C-R	712512
223550	TIMKE	223550	2238916 GMC	470530!	22418 C-R	410737!*	224507XX TIMKE	22X45X7
223552	NATL	35X62X7!	2238917 GMC	472179	2241RC SUL	470682	224510 TIMKE	224510
223552	SPG	35X62X7*	22390 C-R	473473	224200S TIMKE	224200	224520 TIMKE	224520
223552	TIMKE	223552	22391 C-R	473473	224205 TIMKE	224205	224526X GAL	JV1999=
223553	TIMKE	223553	2239124 CHRY5	416654	224207XX TIMKE	22X42X7	224530 NATL	1012
223554	TIMKE	223554	22392 C-R	473473*	224210 SPG	42X55X8	224530 NATL	1012N
223555	TIMKE	223555	22393 WOOL	417159	224210 TIMKE	224210	22454 C-R	1932
22356	C-R	471272!	22394 C-R	473473	224210XX TIMKE	22X42X10	224558 ALLCH	471442!
22358	C-R	471272*	22396 C-R	473473	224215 TIMKE	224215	22455806 ALLCH	471442!
22358	C-R	471272!	22397 C-R	473473	22422 C-R	410737!*	224560 TIMKE	224560
223580	TIMKE	223580	22399 C-R	471138!	22422 GARLK	470565!	224570 TIMKE	224570
22359	C-R	471272*	223R TIMKE	223PKG	224220 TIMKE	224220	224577 CLARK	417316=
22359	C-R	471272!	22400 C-R	471138!	224235 TIMKE	224235	224583 JEFF	415034!
22359	HI-EQ	471570!	224007XX TIMKE	22X40X7	22424 C-R	410737!	22459 US-EL	471504!
223601	TIMKE	223601	224008XX TIMKE	22X40X8	22425 C-R	3095	2245J-36 ROCKW	JV1869=
223602	TIMKE	223602	22400PTB TRSCM	722250	22425 C-R	410737!	2245J10X GAL	JV1978=
223605	TIMKE	223605	22401 C-R	471138!	224250 TIMKE	224250	2245Y-51 ROCKW	JV2038=
223606	TIMKE	223606	224010 TIMKE	224010	224252 TIMKE	224252	2245Z26 GAL	JV1999=
223607XX	TIMKE	22X36X7	224015 TIMKE	224015	224254 TIMKE	224254	22460 C-R	472636!*
223608	TIMKE	223608	22402 C-R	471138!	224255 TIMKE	224255	22461 C-R	472636!*
22361	C-R	471272	224020 TIMKE	224020	22426 C-R	410737!	22461 GARLK	416271!
223610	TIMKE	223610	224025 TIMKE	224025	224266 TIMKE	224266	22462 C-R	472636!
223613	CLARK	471267!	224026 TIMKE	224026	22427 C-R	410737!	2246311 SPICE	472924!
22362	C-R	471272!	22403 C-R	471138!	224270 TIMKE	224270	2246312 SPICE	473473
223620	TIMKE	223620	2240314 GMC	410825	224285 CLARK	3439N=	2246313 SPICE	472015!
2236217	GMC	7840S	22404 C-R	471138!	224286 CLARK	470334=	2246314 SPICE	472012
2236257	GMC	415458	22404 LAVIN	471733	224287 CLARK	470898=	224637 SPICE	411253!
22363	C-R	471272	224040 SPG	224040	22430 C-R	200763*	224638 CLARK	410308!
22364	C-R	40520S	224040 SPG	40X60X10!	2243081 GMC	416130!	224642 ALLCH	471554!
22368	C-R	40520S	224040 TIMKE	224040	22431 CLARK	330385!	224644 ALLCH	471224!
2236978	GMC	7412S	224045 SPG	40X62X12	224320 TIMKE	224320	22465 C-R	40316S
223707A	HARWA	22X37X8	224045 TIMKE	224045	22433 C-R	472636!	224650 TIMKE	224650
223707XX	TIMKE	22X37X7	224052 TIMKE	224052	22434 C-R	472636!	2246580 GMC	5408
223708A	HARWA	22X37X7!	22406 C-R	471138!	22434 GARLK	413246	224660 TIMKE	224660
223708A	HARWA	22X37X8!	224063 TIMKE	224063	224348 US-EL	472185!	224662 TIMKE	224662
22371	C-R	352637	224066 TIMKE	224066	22436 C-R	473245!	224663 TIMKE	224663
22372	C-R	352637	224068 TIMKE	224068	224362 MICH	415984!	22468 C-R	40316S
223725	KEN	415371	22407 C-R	471138	224362 UNIVE	415984!*	224687 ALLCH	473424!
22375	C-R	473473	22408 C-R	471138!	2243649 GMC	5410	22472 C-R	472636!
223750	TIMKE	223750	22409 C-R	471138!	2243649 MOHWK	5410	22474 C-R	456837V
22379	C-R	473473	22409 LAVIN	474278!	22437 C-R	472636!	22476 C-R	472636!
22380	C-R	473473	2240929 GMC	471765!	224375 MICH	417316!	22477 C-R	472636!
223800	TIMKE	223800	2241 FED	450332	224375 UNIVE	417316!	224772 CINMI	417604
223801	TIMKE	223801	22410 C-R	471138!	22438 C-R	472636!	224772 TIMKE	224772
223802	TIMKE	223802	224100 TIMKE	224100	224387 UNIVE	415960!	224777 ALLCH	240151

! Industrial Size/Type * Minor Width Difference \$F-M Number Is Part Of A Kit = Call 1-800-480-1212 for price and delivery.

Zero Duplication or Recommended		Zero Duplication or Recommended		Zero Duplication or Recommended		Zero Duplication or Recommended		
Mfr. No.	Name	Mfr. No.	Name	Mfr. No.	Name	Mfr. No.	Name	
224779	ALLCH	470950!	225086	SPG	417487!	22531277	GMC	320259
224779	ALLCH	6241S	225086	SPG	417487	225316	CLARK	472164!
22477908	ALLCH	470950!	225091	AUTOZ	35327	22531F	DIA	417484!
22477908	ALLCH	6241S	22510	C-R	411253!	22532	C-R	412920!
22480	C-R	472636!	22511	C-R	411253!	22533550	GMC	710329
224810	ALLCH	471192	225110	C-R	473212!	225349	CLARK	471341!
224810	TIMKE	224810	225110	TIMKE	225110	225351	CLARK	416271=
2248112	GMC	50199S!	225111	C-R	50168	22536	GARLK	471271!
2248112	GMC	6863S!	225111	CLARK	415458!	2253622	GMC	472015!
224815	TIMKE	224815	225112	C-R	473214	22540	C-R	412920!
22482	C-R	472636!	225112	CLARK	473214!	225409	CINMI	471554!
224820	NATL	1188	225112	GOODM	473214	22541	C-R	412920!
224820	TIMKE	224820	225112M1	C-R	473214	225410	TIMKE	225410
224820	WMG	1954	225114	C-R	473016!	225419	CINMI	473238
22483	C-R	44052	225114	GWJ	473016!	225420	TIMKE	225420
224830	NATL	224820	22511514	GMC	8660S	225450	ALLCH	471835!
224831	NATL	1969	225116	C-R	470625!	225450	CLARK	471835!
224835	TIMKE	224835	225116M1	C-R	470625!	225450	TIMKE	225450
22484	C-R	454136N	225117	CINMI	471344!	22545259	GMC	40375
224840	TIMKE	224840	225118	C-R	471571	22545260	GMC	320259
22485	C-R	411253!	225119	ALLCH	472354!	225460	SPG	54X82X10
224850	NATL	48X72X7!	22512	C-R	411253	225460	TIMKE	225460
224850	TIMKE	224850	22512	C-R	411253=	225461	CLARK	473224=
22486	C-R	411253!	225124	C-R	450400	225477	CLARK	471267!
224865	TIMKE	224865	225124	CLARK	450400	22548	GARLK	470605!
224870	TIMKE	224870	22512853	GM	411	22550	C-R	412920
224872	TIMKE	224872	225132	AUTOZ	35507	225500	TIMKE	225500
224874	TIMKE	224874	225133	AUTOZ	35508	225502	HYST	473228!
22490	C-R	411253!	22514	C-R	450604	225505	TIMKE	225505
224914	ALLCH	240356	225141	AUTOZ	35524	22551	GARLK	415449!
22492	C-R	411253!	225142	AUTOZ	35526	225510	AUTOZ	35418
22493	C-R	411253!	225146	SPG	415146!	225530	NATL	55X72X8!
22494	ALLCH	240356	225146	SPG	415991	225530	TIMKE	225530
22494	C-R	411253!*	225147N	SPG	415449!	225535	TIMKE	225535
224955	ALLCH	240414	225149	AUTOZ	35547	22554	C-R	412920!
224979	TIMKE	224979	22515	C-R	411253!	225540	TIMKE	225540
22498	C-R	411253!	225150	AUTOZ	35548	225545	TIMKE	225545
224A13208	TROS	470380!	225154	AUTOZ	35555	22555	C-R	412920!
224A13208	TROS	472189A!	225159	AUTOZ	35608	225550	NATL	55X80X8
224A132X12	TROS	9613S	22516	C-R	474255	225560	NATL	55X85X10
224B12406	TROS	9568	225161	CLARK	415991	22557	C-R	412920!
224B13606.5	TROS	472299	225161	CLARK	415991!	22557	GARLK	415449!
224FF116	C-R	470625!	22516M1	C-R	474255	22558	C-R	412920!
224R	TIMKE	224PKG	22517	C-R	411253!	22559	C-R	412920!
225003	SPG	415458!	225177	CLARK	415458	22560	C-R	412920!
225005	TIMKE	225005	22518	C-R	450165	22561	C-R	412920!
225008	TIMKE	225008	22518	C-R	471801	225615	SPERY	473237!
225010	NATL	1209	22518	CABOT	450165	22562	C-R	712512+99229
225010	TIMKE	225010	22518	CABOT	471801!	22563	C-R	200929
225010	WMG	5770	22518	GOODM	450165	225643	AUTOZ	72665
225019	MIHLE	416476!	22518	GOODM	471801!	2256492	GMC	370002A
225019R	ROCKW	416476!	22518	GR-DV	450165	2256494	GMC	6754S=
225020	MIHLE	455576!	22518	GR-DV	471801!	2256495	GMC	370002A
225020	TIMKE	225020	22518M1	C-R	450165	22565	C-R	41075S
225020R	ROCKW	455576!	22518M1	C-R	471801	225650	NATL	56X72X11.5
225030	TIMKE	225030	22519	C-R	473212!	225650	TIMKE	225650
225035	TIMKE	225035	225193	PACIF	416892!	22567	C-R	41075S
225040	TIMKE	225040	2251OS	JN-MN	4172471*	225673	TIMKE	225673
22504915	GM	421	225208	SPG	52X65X9	225678	TIMKE	225678
225050	NATL	50X80X8	225208	TIMKE	225208	225685	CLARK	450400
225050	TIMKE	225050	225210	TIMKE	225210	22569	GARLK	416273
225051	AUTOZ	TCS45968	225220	NATL	1884	22569X	SPICE	472560N
22505150	GMC	8660S	225220	SPG	52X68X8	22570	C-R	455136
2250534	GMC	471103!	225220	TIMKE	225220	22571	C-R	455136
2250582	GMC	412119	225225	TIMKE	225225	2257151	GMC	417353!
22506	C-R	411253!	225227	NATL	225650	225727	CLARK	471766!
225068	AUTOZ	35011	225230	TIMKE	225230	225731	CINMI	417621!
225074	AUTOZ	35127	225275	TIMKE	225275	225732	CINMI	415187
225075	CLARK	470954 *=	225278	TIMKE	225278	225733	CINMI	470059
225082	TIMKE	225082	225281C91	IH	417349!	225733	CINMI	470380!
225084	AUTOZ	35300	22529188	GMC	40375	225736	CASE	471554!
225085	AUTOZ	35301	2253	UNIVE	472397!	225737	CINMI	471649!
22574	C-R	455136 *	22574	C-R	455136 *	22574	C-R	455136 *
22575	C-R	411376!	22575	C-R	411376!	22575	C-R	411376!
2257527	GMC	5951	2257527	GMC	5951	2257527	GMC	5951
22576	C-R	455136	22576	C-R	455136	22576	C-R	455136
225763	CLARK	416404=	225763	CLARK	416404=	225763	CLARK	416404=
225764	CLARK	415025=	225764	CLARK	415025=	225764	CLARK	415025=
225767	ALLCH	473444	225767	ALLCH	473444	225767	ALLCH	473444
22577	C-R	455136	22577	C-R	455136	22577	C-R	455136
225775	TIMKE	225775	225775	TIMKE	225775	225775	TIMKE	225775
225782	CLARK	416289N=	225782	CLARK	416289N=	225782	CLARK	416289N=
2258	MID	473227	2258	MID	473227	2258	MID	473227
2258	MID-R	473227	2258	MID-R	473227	2258	MID-R	473227
22580	C-R	411376!	22580	C-R	411376!	22580	C-R	411376!
225805	ALLCH	5MR1301	225805	ALLCH	5MR1301	225805	ALLCH	5MR1301
225806	ALLCH	42260S	225806	ALLCH	42260S	225806	ALLCH	42260S
22581	C-R	411376!	22581	C-R	411376!	22581	C-R	411376!
22582	C-R	411376!	22582	C-R	411376!	22582	C-R	411376!
225823	CLARK	470565=	225823	CLARK	470565=	225823	CLARK	470565=
225826	CLARK	410825	225826	CLARK	410825	225826	CLARK	410825
2258269	GMC	417541	2258269	GMC	417541	2258269	GMC	417541
22583	C-R	411376!	22583	C-R	411376!	22583	C-R	411376!
225834R91	IH	474278!	225834R91	IH	474278!	225834R91	IH	474278!
225835R91	IH	474278!	225835R91	IH	474278!	225835R91	IH	474278!
22584	C-R	411376!	22584	C-R	411376!	22584	C-R	411376!
225844	ALLCH	450984	225844	ALLCH	450984	225844	ALLCH	450984
22585	C-R	411376!	22585	C-R	411376!	22585	C-R	411376!
225851	CLARK	416271=	225851	CLARK	416271=	225851	CLARK	416271=
225852	CLARK	416024=	225852	CLARK	416024=	225852	CLARK	416024=
225856	CLARK	471281!	225856	CLARK	471281!	225856	CLARK	471281!
22587	C-R	5521	22587	C-R	5521	22587	C-R	5521
225870	NATL	225872	225870	NATL	225872	225870	NATL	225872
225872	NATL	58X72X8	225872	NATL	58X72X8	225872	NATL	58X72X8
225872	TIMKE	225872	225872	TIMKE	225872	225872	TIMKE	225872
225874	TIMKE	225874	225874	TIMKE	225874	225874	TIMKE	225874
2258746	GMC	415138!	2258746	GMC	415138!	2258746	GMC	415138!
225875	TIMKE	225875	225875	TIMKE	225875	225875	TIMKE	225875
225877	TIMKE	225877	225877	TIMKE	225877	225877	TIMKE	225877
225880	NATL	58X80X8	225880	NATL	58X80X8	225880	NATL	58X80X8
225880	TIMKE	225880	225880	TIMKE	225880	225880	TIMKE	225880
2258893	GMC	370005A	2258893	GMC	370005A	2258893	GMC	370005A
2258907	GMC	370005A	2258907	GMC	370005A	2258907	GMC	370005A
2259040	GMC	415058	2259040	GMC	415058	2259040	GMC	415058
225909	CHRYSL	416706=	225909	CHRYSL	416706=	225909	CHRYSL	416706=
225909	CLARK	416706	225909	CLARK	416706	225909	CLARK	416706
225928	CINMI	473232	225928	CINMI	473232	225928	CINMI	473232
225929	CLARK	471224!	225929	CLARK	471224!	225929	CLARK	471224!
2259318	GMC	5406	2259318	GMC</				

Zero Duplication or Recommended Industrial		Zero Duplication or Recommended Industrial		Zero Duplication or Recommended Industrial		Zero Duplication or Recommended Industrial					
Mfr. No.	Name	Mfr. No.	Name	Mfr. No.	Name	Mfr. No.	Name				
22602	C-R	411376!	226610	TIMKE	226610	227572	ALLCH	5128N	22814014.5	TROS	473367
226020	SPG	60X80X8	226620	ALLCH	6759S	227610	TIMKE	227610	22814405	TROS	473445
226020	TIMKE	226020	2266378	CHRY5	8121S	2276335	GMC	470530!	22814407.5	TROS	473445
226021	CLARK	473234 =	226672	OILGR	450457	227662	CLARK	415035 =	22814804	TROS	43071S
226040	NATL	60X85X8	226673	OILGR	50528	227677	ALLCH	414268!	22814804.5	TROS	471504
22604X	MASSE	450400	2266839	CHRY5	6960	227679	ALLCH	472299 =	22814806	TROS	471504!
22605	C-R	411376!	2266894	CHRY5	8597S	22767905	ALLCH	472299 =	22814807.5	TROS	471504!
226055	CLARK	471689!	2267129	CHRY5	7188S	2276796	GMC	473231	22815	C-R	225872
226056	CLARK	471442!	2267156	CHRY5	7214	2276798	GMC	473454	22815	C-R	58X72X8!
22605X	MASSE	416404!	2267583	GMC	417596	22767D	IH	450040	22816	C-R	225872
22606	C-R	411376!	2267915	GMC	350435	22770	GARLK	415303!	22816	C-R	58X72X8!
226072	CLARK	410694!	22679M	IH	474264	2278189	GMC	415449!	22817	C-R	58X72X8V!
2260834	CHRY5	8121S	2268	GOODM	471466!	22782	GARLK	417344!	228176	ALLCH	5246
226099	CLARK	410496!	22680M	IH	473419	227830	NATL	78X100X10	22818	BR-WN	415294!
2261	TIMKE	2261	226820	TIMKE	226820	227841	ALLCH	471570!	22818	C-R	58X72X8
226101	CLARK	472705!	22683	GARLK	416664!	22785	CHERY	416444	22819	BR-WN	450400
226127	CLARK	471870!	226830	NATL	68X90X10	227850	ALLCH	410059	22819	C-R	710136
226128	CLARK	470774!	226840	TIMKE	226840	227850	ALLCH	470380!	228192	ALLCH	473435
22613708.25	TROS	450666	226850	NATL	68X100X13	2278653	GMC	340400	2282068	GMC	471192
226137X08	TROS	450666	2268921	CHRY5	13338	22789	CHERY	473228	22821	C-R	710183
22614	C-R	3095	2268RC	SUL	471466!	2279	NATL	3894V	22822	C-R	225875*
226147	ALLCH	415995!	2269	NATEN	416229	22791	CHERY	473016!	22822	C-R	58X75X11!*
226150	TIMKE	226150	226938R91	IH	7866S	22791	GARLK	417158!	2282265	GMC	415483
22616	C-R	415234!	226940	CLARK	412119	22791X	MASSE	417158!	22823	C-R	225875
226169	CLARK	471141 =	226942	CLARK	416404 =	2279997	CHRY5	471538	22823-61A01	SUZUK	473179
22617	GARLK	413248	226944	CLARK	416024 =	227R	TIMKE	227PKG	22824	C-R	225875
22618	C-R	415234!*	226961	CLARK	412473 =	228005	TIMKE	228005	22824	C-R	58X75X11!
22619	C-R	415234!*	22698	GARLK	415984!	228008	TIMKE	228008	228247	ALLCH	340724!
2261VGR	SPG	2261	226A14703	TROS	8705S	228009	TIMKE	228009	228250	TIMKE	228250
22622	C-R	415234!*	226A15403.75	TROS	291295	228010	TIMKE	228010	22826	C-R	710129
22623	MASSE	471763	226A15603.75	TROS	7934S	228012	FMS	80X100X10!	22826X	MASSE	470625!
22623X	MASSE	471763	226B15604	TROS	353120	228012	TIMKE	228012	22827	C-R	225880
22625	C-R	415234	226R	TIMKE	226PKG	228015	TIMKE	228015	22827	C-R	58X80X8!
22626	C-R	415259!*	227006R91	IH	471413!	228020	ALLCH	411376!	228277	ALLCH	474256
22628	C-R	415234!	227020	TIMKE	227020	228020	TIMKE	228020	22827X	MASSE	470059
226285	TIMKE	226285	227040	TIMKE	227040	228030	NATL	80X110X12	22827X	MASSE	470380!
226290	NATL	62X90X10	227045	TIMKE	227045	228030	TIMKE	228030	22828	C-R	4408*
22630X	MASSE	450068	227050	NATL	70X95X13	2280659	GMC	6592S =	22828	C-R	58X80X8!*
22632	C-R	415259!	227060	NATL	70X100X13	22808	C-R	710439	22829	C-R	58X78X8
22632	GARLK	415483	22710	GARLK	417316!	22809	VICK	5711	22830	C-R	205035
2263635	GMC	417181!	227114R91	IH	418028	22810	VICK	416167!	22831	C-R	225880*
2263700	GMC	6846S =	227114R91	IH	455137!	22810807.5	TROS	450332	22831	C-R	58X80X8!*
2263701	GMC	417210!	22714907.5	TROS	6936S	22810X	MASSE	340356	228313KB	TRSCM	493291
2263712	GMC	416271!	227154	CLARK	412473 =	22811	VICK	415991	22832	C-R	225880
226375	MICH	455005	227160075	TROS	470409!	22811	VICK	455146!	22832	C-R	58X80X8
226375	UNIVE	455005	227160075	TROS	50409	228110	C-R	40769S	22833	C-R	225880
226387	UNIVE	417485*	227178	CINMI	470712!	228112	C-R	50402	22833	C-R	58X80X8V!
226388	MICH	417485	2271832	GMC	474278!	2281207.5	TROS	474254	22834	C-R	225880*
226400	UNIVE	475384*	227189	CINMI	417316!	22812	GARLK	416921!	22834	C-R	58X80X8!*
2264076	GMC	6245S =	22719	GARLK	415960	22812	HI-EQ	472164!	22835	C-R	493291
2264272	GMC	473447	2272	UNIVE	6245S =	228122	CLARK	417316 =	22835X	MASSE	471518!
2264274	GMC	415458!	227221	CINMI	415047	22812404	TROS	470950!	22836X	MASSE	50081
2264287	GMC	470565!	227230	NATL	72X95X10	22812404	TROS	6241S	228375	MICH	417344!
22644	C-R	55337*	227235	TIMKE	227235	22812404.75	TROS	6241S	228375	UNIVE	417344!
22644	GARLK	415458!	227240	NATL	72X100X12	22812407.5	TROS	470950!	228375SLT	MICH	417344!
22645	C-R	55337	227272R91	IH	415449!	22812407.5	TROS	6241S	22837X	MASSE	415007
22647	C-R	415254*	227338R91	IH	100495	22812409	TROS	470950!	228385	CLARK	415483
22648	C-R	415254	227338R91	IH	417349	22812409	TROS	6241S	228387	UNIVE	417158!
226480	TIMKE	226480	22734X	MASSE	473225!	22812804	TROS	6966S	2283871	GMC	JV1210 =
226481	FMS	64X80X8	227409	TIMKE	227409	22812805	TROS	6966S	2283872	GMC	5403
22651	C-R	5921	227410	TIMKE	227410	22812807.5	TROS	474264	228388	MICH	416404!
226510	TIMKE	226510	22742	C-R	39821	22813	C-R	58X72X8V	22840	C-R	710136
226515	FMS	65X80X8	22745	GMC	470712!	22813204	TROS	7886S	228400	MICH	416921!
226520	TIMKE	226520	22746X	MASSE	415007	22813207.5	TROS	471820	228400	UNIVE	416921!
22653	C-R	722250	2274887	GMC	470565!	22813604	TROS	471821!	22841	C-R	225875
226530	SPG	65X90X10	2274890	GMC	410737!	22813607.5	TROS	471821!	228410	TIMKE	228410
226530	TIMKE	226530	227530	TIMKE	227530	22813807.5	TROS	473232!	228412	UNIVE	417134
226550	NATL	65X100X10	2275322	ALLCH	6863S!	22814	C-R	710439	228413	MICH	417134
22656	GARLK	417343!	2275398	GMC	418028	22814007	TROS	473367!	2284159	GMC	6638S
2265811	CHRY5	81333	227540	TIMKE	227540	22814007	TROS	473367	22845	C-R	710144
2265D	GOODM	474277	227550	TIMKE	227550	22814007.5	TROS	473367	228480	TIMKE	228480
22660	C-R	55268	2275550	VICK	418028	22814007.5	TROS	473367!	22849	C-R	58X85X10

! Industrial Size/Type * Minor Width Difference = Call 1-800-480-1212 for price and delivery.

Zero Duplication or Recommended		Zero Duplication or Recommended		Zero Duplication or Recommended		Zero Duplication or Recommended					
Mfr. No.	Name	Mfr. No.	Name	Mfr. No.	Name	Mfr. No.	Name				
22840S	JN-MN	416404!	229510	NATL	95X120X12	23	WGEAR	471646!	230947	VIC	J1124
228500	FMS	716102	229520	TIMKE	229520	2300	TIMKE	2300	2309480	GMC	417484!
22851	C-R	58X85X10!	2295401	GMC	5405	23000	FUNK	472572!	23095	C-R	411394!
228520	NATL	85X110X12	2295935	GMC	415064	2300768	EATON	472164!	23095	CLARK	412861
228520	SPG	85X110X12	2295936	GMC	370021A	230083	SPG	472924!	230954	CLARK	412861
228520	TIMKE	228520	22964	PERSN	471766!	23009	GARLK	417349!	23096	C-R	411394!
228540	NATL	85X120X12	2296526	GMC	471787!	230101N	SPG	412119	23097	C-R	411394!
228547	CLARK	472258	22966	VICK	472409!	230106	FWD	370001A	230D4	WHITE	472144!
22859	C-R	58X88X8	22967	VICK	416865!	23010610	GMC	340847	230R	TIMKE	230PKG
22850S	JN-MN	415001!	2296767	GMC	471529	23013719	GMC	473367	230X260X15	FORSH	230X260X15
2286	TIMKE	2286	22969	VICK	472409	23014004.75	TROS	6283S	230X260X15	SIMRT	230X260X15
2286140	GMC	5711	2297	NATL	39807	23015352	GMC	417495	230X260X15	TRSCM	230X260X15
2286162	GMC	470954!	2297	WMG	5231	23015975	GMC	473179	230X260X15	TRSCM	230X260X15
2286171	GMC	416167!	229725	ALLCH	471570!	23016199	GMC	456621V=	231002	TIMKE	231002
22869	C-R	58X90X10	229727	ALLCH	471570!	23016947	GMC	487397V	231003	NATL	100X125X12
2286911	GMC	471766!	2297HX	SPG	2297	23018	GARLK	417350!	231003	TIMKE	231003
22860S	JN-MN	415035!	2297V	TIMKE	2297V	2301820	GMC	416888!	231004	TIMKE	231004
22860S	JN-MN	415035	2298288	GMC	5313	230183	MARMO	472179	231005	FMS	100X130X12!
2287	TIMKE	470954	229859	CLARK	472082	230183N	SPG	472179	23104	GARLK	417621!
22870	C-R	204035	2299	UNIVE	471192	23018538	GMC	415073V=	231052	SPICE	J1128
228700	TIMKE	228700	229967	ALLCH	410059	230186	FWD	370001A	231052	TIMKE	231052
22878	C-R	710268	229967	ALLCH	470380!	2302139	GMC	416167!	231052	VIC	J1128
22881-60G10	SUZUK	710524	229985	CLARK	471271!	23026015A	HARWA	230X260X15	231053	NATL	105X130X12
22881-82300	SUZUK	223831	229985	IH	471271!	23033	CASE	472258!	231058	NATL	105X140X12
228885-R91	IH	370007A	229995R91	IH	240731	23033	GARLK	415995!	231074	ALLCH	471652
22892	LAU	6863S!	229R	TIMKE	229PKG	23035	C-R	442874	2311035	WOOL	470898!
2289513	GMC	6612S	22A2094	HEIL	415483!	230352	SPG	472164!	231104	NATL	110X130X12
228A10004	TROS	471516!	22A2291	HEIL	417538	230387	UNIVE	417159*	23111	ALLCH	415995!
228A10005	TROS	471516!	22A2291	OLIVE	417538	23039	C-R	5585	23111	C-R	411394!
228A10807.5	TROS	473259	22A2383	HEIL	471267!	23040	C-R	411160V	23113	C-R	411394!
228A11605	TROS	471407	22A2385	HEIL	474278!	23040	KNICK	5751	231152	NATL	115X140X12
228A12404	TROS	471276	22A2450	HEIL	416865!	230400	MICH	416654!	231154	NATL	115X150X12
228A12407.5	TROS	471276	22HS376	OSHKO	417210!	230400	UNIVE	416654!	2311550	GMC	471466!
228A13204	TROS	471344	22X25261A	JOHND	473474	230412	UNIVE	417486	23116	GARLK	416288!
228A13207.5	TROS	471344	22X25561A	JOHND	473197	23041246	GMC	415073V=	23118FX	OSHKO	470605!
228A13209	TROS	471344	22X26939A	JOHND	J1267=	230413	MICH	417486	2311D5	WHITE	474278!
228A13215.5	TROS	471344	22X27558B	JOHND	JX1386=	23042	GARLK	417351!	23120	C-R	411394!
228A13604	TROS	471827!	22X31X6AS	ISP	22X31X6	230425	BENDI	471795	231204	TIMKE	231204
228A13608	TROS	471827	22X32X7SC	TRSCM	222210	23044H	IH	473463	231206	NATL	120X150X12
228A136X12.5	TROS	471827!	22X32X7SC	TRSCM	22X32X7!	23045095	GMC	471224=	231208	NATL	120X160X12
228A14010	TROS	471829	22X32X7TC	TRSCM	22X32X7	23045096	GMC	471224!	231217	ALLCH	415995!
228A14012.5	TROS	471829	22X35X7SB	TRSCM	22X35X7	23045097	GMC	471472=	231250	TIMKE	231250
228A14804	TROS	471831!	22X35X7SC	TRSCM	22X35X7	23045344	GMC	471529	231255	NATL	125X160X12
228A14806	TROS	1012	22X35X7TC	TRSCM	22X35X7	230462R91	IH	417316!	231270	BENDI	471103!
228A14806	TROS	1012N	22X36X7SC	TRSCM	22X36X7	23046430	GMC	415073V=	2312737	GMC	474276!
228A14807.5	TROS	471504!	22X36X7TC	TRSCM	22X36X7	23049496	GMC	4528N	2312879	GMC	240733
228B14014	TROS	471829	22X37X7	SIMRT	22X37X8	23049636	GMC	4532N	2312883	GMC	471267!
228B15804	TROS	8704S	22X37X7SC	TRSCM	22X37X7	23049814	GMC	4529N	231296	CLARK	J1134
228R	TIMKE	228PKG	22X37X7TC	TRSCM	22X37X7	23049846	GMC	4530	23130	C-R	5924
229	C-R	5414	22X38X7AN(35)	ISP	22X38X7	23050	C-R	43109S	231302	NATL	130X160X12
229	ROCKW	370003A	22X38X8SC	TRSCM	22X38X8	23056	C-R	472150	231302VB	TRSCM	442874
229004	TIMKE	229004	22X38X8TC	TRSCM	22X38X8	23061	C-R	472150	231305	CLARK	J1126
229005	TIMKE	229005	22X40X7SC	TRSCM	22X40X7	23062	C-R	472150	231305	NATL	130X170X15
229006	TIMKE	229006	22X40X7TC	TRSCM	22X40X7	23063	C-R	472150!	231324SA	TRSCM	411394
229010	TIMKE	229010	22X40X8SC	TRSCM	22X40X8	230630	ACF	473214!	231334	CLARK	416271!
229030	NATL	90X120X12	22X40X8TC	TRSCM	22X40X8	23064	C-R	472150	231335	CLARK	415138!
2291	TIMKE	417621	22X42X10SC	TRSCM	22X42X10	23065	C-R	472150	231336	CLARK	416339
229108	ALLCH	471958	22X42X10TC	TRSCM	22X42X10	23068	C-R	472150	2313534	GMC	240731
22910908	ALLCH	415145N=	22X42X7SC	TRSCM	22X42X7	230689	ACF	473214!	23137	MICH	50026
22918	VICK	470954!	22X42X7TC	TRSCM	22X42X7	23069	C-R	472150	23137	UNIVE	50026*
229210	TIMKE	229210	22X45X7	SIMRT	22X45X7	23073	C-R	472150	23139	C-R	410694!
229229	ALLCH	470625!	22X45X7SC	TRSCM	22X45X7	230737	SPG	410737!	23140	C-R	410694!
229285R11	IH	5MRI1009	22X45X7TC	TRSCM	22X45X7	230747	BENDI	471689!	231402	TIMKE	231402
229313VHY	TRSCM	204035	22X47X7SC	TRSCM	22X47X7	230747	GMC	471689!	231405	NATL	140X170X15!
2293240	GMC	471224	22X47X7TC	TRSCM	22X47X7	2307OS	JN-MN	415064	231405	NATL	231404
229351	ALLCH	472409!	22X82740A	JOHND	415066	230839	ALLCH	416795N=	2314093	GMC	415371
229367	CLARK	472164!	22X82741A	JOHND	J1134	230851	ALLCH	471765!	2314094	GMC	416865
229367	CLARK	472164	22Y618	GW	470059	230874R91	IH	7600S	23143	GARLK	417171!
229372	ALLCH	471255!	22Y618	GW	470380!	23092	C-R	411394!	2315000	FMC	455189
2293807	GMC	471787!	22Y618	KEN	470059	23093	C-R	411394!	231502	NATL	150X180X12
2293979	GMC	456618	22Y618	KEN	470380!	2309388	GMC	471413	23152	C-R	410694!*
			22Y815	GW	415001!	230947	SPICE	J1124	23153	C-R	412119

! Industrial Size/Type * Minor Width Difference = Call 1-800-480-1212 for price and delivery.

NUMERICAL

Zero Duplication or Recommended		Zero Duplication or Recommended		Zero Duplication or Recommended		Zero Duplication or Recommended	
Mfr. No.	Name	Mfr. No.	Name	Mfr. No.	Name	Mfr. No.	Name
23158	C-R	2320064	GMC	23286	C-R	23405	CONTI
23159	AUTOZ	2320312	GMC	232862	CLARK	23405	IH
23160	NATL	23206	HYST	2328694	GMC	23414012	TROS
231608	AUTOZ	232066	CLARK	2328694	GMC	2342	FALCK
231609	AUTOZ	232077	CINMI	23297	C-R	23420	C-R
231610	AUTOZ	23212006	TROS	23299	C-R	23425	C-R
231611	AUTOZ	23212404	TROS	232995	CLARK	23425	C-R
231614	AUTOZ	23212408	TROS	232A14404.5	TROS	23426	C-R
231616	AUTOZ	23212808	TROS	232A15607	TROS	23427	C-R
231617	AUTOZ	23213204	TROS	232A15607C	TROS	23428	C-R
231619	AUTOZ	23213205	TROS	232B12405	TROS	23429	C-R
231622	AUTOZ	23213207	TROS	232E14006	TROS	23420S	JN-MN
231623	AUTOZ	23213208	TROS	232E14006C	TROS	23430	C-R
231624	AUTOZ	23213209	TROS	232R	TIMKE	2343139	GMC
231625	AUTOZ	23213210.5	TROS	233	CARVR	2343139	GMC
231626	AUTOZ	23213211	TROS	233-S443173945	BENDI	234319	BENDI
231627	AUTOZ	23213212	TROS	233-S443173945	BENDI	23432	C-R
231628	AUTOZ	23213308	TROS	23300	C-R	234321	BENDI
231629	AUTOZ	23213604	TROS	23300	C-R	234322	BENDI
231630	AUTOZ	23213608	TROS	23300	C-R	23436	C-R
231631	AUTOZ	23213808	TROS	23300	C-R	23436	C-R
231632	AUTOZ	23214004.5	TROS	2330111	H-S	23436	C-R
231635	AUTOZ	23214006	TROS	2330114	H-S	23438	C-R
231636	AUTOZ	23214006C	TROS	2330120	H-S	23438	C-R
231637	AUTOZ	23214008	TROS	2330120	H-S	23439	C-R
231638	AUTOZ	23214012	TROS	233014	CLARK	23440	C-R
231640	AUTOZ	23214406	TROS	233015	CLARK	23440	C-R
231641	AUTOZ	23214408	TROS	23302VH	TRSCM	23440	VIC
231642	AUTOZ	23214409	TROS	233064SA	TRSCM	23441	C-R
231643	AUTOZ	23214412	TROS	2330B	GOODM	23442	C-R
231644	AUTOZ	232144X10	TROS	2330C	GOODM	23442	C-R
231645	AUTOZ	23214804	TROS	233124	C-R	23443	C-R
231646	AUTOZ	23214806	TROS	23315606	TROS	23444	C-R
231648	AUTOZ	23214806.5C	TROS	233156X06	TROS	234449R91	IH
231649	AUTOZ	23214808	TROS	23317	MALL	23445	C-R
231651	AUTOZ	23214810	TROS	23317	MALL	23446	C-R
231652	AUTOZ	23214812	TROS	233186	BRCWY	23447	C-R
231653	AUTOZ	232148X08	TROS	2332303	GMC	23447	C-R
231655	BRCWY	23216004.5	TROS	233241	CLARK	23449	C-R
231659	AUTOZ	23216006	TROS	23324PSB	TRSCM	23450	C-R
23167	C-R	232173	ALLCH	2332D	GOODM	23451	C-R
23169	C-R	23220004	TROS	233313VH	TRSCM	2345112	GMC
231705	NATL	232205	NATL	23332VH	TRSCM	234512	CLARK
231708	CLARK	23221	GARLK	23332VH	TRSCM	234512	CLARK
231717	CLARK	232220	HYST	23334PTA	TRSCM	23452	C-R
23172	VICK	2322621	GMC	233374SA	TRSCM	234521	SPERY
231733	BRCWY	23236	GARLK	233374TA	TRSCM	23453	C-R
23175	VICK	2323680	GMC	2334388	GMC	23456	C-R
231751	CLARK	232398	CLARK	23344SA	TRSCM	23456	C-R
23176	VICK	2324	CASE	23344TA	TRSCM	23458	C-R
23176	VICK	23243	VICK	23346	GARLK	23459	C-R
2317614	GMC	23255	C-R	2334838	GMC	23460	GARLK
2317696	GMC	23264H	IH	2335152	GMC	234631	GMC
231798	CLARK	23264HA	IH	23353PTB	TRSCM	234631	SPICE
231805	NATL	23264HB	IH	2336	FALCK	23464	C-R
231811	HYST	232712	CLARK	2336	FALCK	23465	C-R
23184	C-R	232714	ALLCH	2336132	GMC	234650	CLARK
231842	CLARK	2327142	ALLCH	2336333	GMC	234651	CLARK
231843	CLARK	2327284	GMC	23363TB	TRSCM	234653	CLARK
23185	C-R	2327286	GMC	23364	GARLK	23466	C-R
2318576	GMC	2327401	GMC	233773	CLARK	23466	VICK
23186	C-R	2327401	GMC	2338	CONTI	23467	C-R
23187	C-R	23275	GARLK	23382	FWD	23468	C-R
231884	CLARK	23276	C-R	23384SA	TRSCM	2346838	GMC
231901	GMC	23277	C-R	23385	NEWPR	23471	C-R
231905	NATL	23278	C-R	23385	NOK	2347192	GMC
2319067	GMC	232780	CINMI	23394	GARLK	2347294	GMC
231950	HYST	2328067	GMC	2339F	IH	2347374	GMC
23199	VICK	2328068	GMC	233R	TIMKE	2347374	GMC
231R	TIMKE	2328069	GMC	234	CARVR	234761	CLARK
232-319	ELRNG	2328334	GMC	234003	HYST	234761	CLARK
232005	NATL	23284	C-R	234013	ALLCH	23479	C-R
				234047	HYST	234820	BENDI

! Industrial Size/Type * Minor Width Difference \$F-M Number Is Part Of A Kit = Call 1-800-480-1212 for price and delivery.

Zero Duplication or Recommended		Zero Duplication or Recommended		Zero Duplication or Recommended		Zero Duplication or Recommended	
Mfr. No.	Name	Mfr. No.	Name	Mfr. No.	Name	Mfr. No.	Name
23484	C-R	710276	23529603 ALLCH	480058N=	23644	C-R	473474
23486	C-R	60X105X8	2353016 GMC	6808N	23645	C-R	473474=
23488	C-R	60X110X8	235312 ALLCH	417344!	23645	C-R	473474
234939	CLARK	470898=	23531202 ALLCH	417344!	23646	C-R	470565!
23499	GARLK	417196!	2353335 GMC	472636!	23646	GARLK	416041
234999	CLARK	4512*	235354 SPG	416404!	23647	C-R	470565!
234999	CLARK	714512	235393 CLARK	473010	23648	C-R	470565!
234R	TIMKE	234PKG	235394 CLARK	473454	23649	C-R	470565!
23500139	GMC	5163	235404R91 IH	415995!	23650	C-R	470565=
23500286	GMC	3945	235430 HYST	417344!	23650	C-R	470565
235003	SPG	415458!	2354323 GMC	410496!	23651	C-R	470565!
2350041	SHEP	472185!	235462 CLARK	412119=	23652	C-R	470565!
2350061	SHEP	411253!	235468 CLARK	471281*	23653	C-R	470565!
235009N	SPG	415960	235470 CLARK	471267=	23654	C-R	470565!
235012N	SPG	416654	2354727 GMC	415302=	23655	C-R	473474* =
23501544	GMC	5424	2354728 GMC	471692	23655	GARLK	415379
23501545	GMC	5422	2354732 GMC	415995!	2365OS	JN-MN	415551
2350160	SHEP	450463	235498 SPG	415498	2366034	GMC	410737!
235016N	SPG	416288	2355 C-R	6X16X5	2366119	GMC	417480!
23501819	GMC	470954	2355087 GMC	6863S!	236623	BENDI	471737
2350300	SHEP	472397!	235533 VICK	343185	236629	CLARK	470565=
2350310	SHEP	473229	23559 MALL	471688	23663	C-R	470565!
23503969	GMC	710258	235593 CLARK	456967V!	23665	C-R	470565!
235070	SPG	416865!	2356531 GMC	472636=	23666	C-R	473475
23507225	DETRO	JF2282	2356532 GMC	417487=	23667	GARLK	417205!
23507225	GMC	JF2282	235655 CLARK	416664	236679	CLARK	311189
23507226	DETRO	JF2280	235657 ALLCH	470530	236686	CLARK	476535N=
23507226	GMC	JF2280	235665 GMC	473215!	23670	C-R	473475*
235086N	SPG	417487!	2357 C-R	6X16X7V	23671	C-R	473475*
235086N	SPG	417487	235751 CLARK	472016=	23672	C-R	413246
235090	ALLCH	JV949=	2357683 GMC	417505	23673	C-R	413246
235095	SPG	416271!	2357684 GMC	417541	23676D	IH	471466!
23509591	GMC	5422	23580 GARLK	415937!	23678	C-R	413246
23511	GARLK	476424N	2358463 GMC	410308	236783	CLARK	476470=
235112	C-R	473215!*	2359 C-R	6X16X7V	23679	C-R	413246
23511393	GMC	3252777L	2359177 NOK	45X70X10	2368 C-R		417316!
23511394	GMC	325277T	2359469 GMC	473454	23680	C-R	413246=
235114	C-R	473225!*	235949R SPG	416500	23680	C-R	413246
235116	C-R	470059	235R TIMKE	235PKG	23681	C-R	413246=
235116	C-R	470380	2360 C-R	6X16X7	23681	C-R	413246
235116M1	C-R	470059	23600 C-R	4539H	23682	C-R	413246
235116M1	C-R	470380	23601 GARLK	417355!	23682	GARLK	416339
23511903	ALLCH	200865	2360331 GMC	473228	23683	C-R	480574H
235120	C-R	473231	23604 VICK	471570!	236835	HYST	415379
235120M1	C-R	473231	236065 ALLCH	471766!	2368357	GMC	370002A
23512418	GMC	481203N=	23606R DIA	45637S	236836	HYST	J1126
23513485	GMC	5422	23612406 TROS	8168=	23685	C-R	413246!
23513578	GMC	5424	23613 GARLK	416125!	23686	C-R	413246
235137	SPG	415137!	23613208 TROS	410190	23686	C-R	413246=
235137	SPG	418028	23613608 TROS	450143	23687	C-R	480574H
23514147	GMC	5443	23614006 TROS	291099	23690	C-R	412119!
235146	SPG	415146!	23614808 TROS	472193!	23691	C-R	710210
235146	SPG	415991	23615207C TROS	203006!	236922R91	IH	471413
23514608	GMC	41537	23615607.5 TROS	350936	23693	C-R	412119!*
23515534	GMC	5441	2361599 GMC	5406\$	236932	EATON	470605!
23515634	GMC	5436	23616008 TROS	9015S	236939	EATON	474281!
23516871	DETRO	480581	23620008.5 TROS	331301N	23694	C-R	5119
23516969	GMC	5424	23620405 TROS	332134	23695	C-R	412119*
235183	CLARK	416273	2362158 GMC	733115	23698	C-R	710210
2351945	GMC	5778	236224R91 IH	472164!	23699	C-R	412119!
23522435	DETRO	472324	236298 CLARK	471735=	236A15605	TROS	350936
23522435	GMC	472324	23630 C-R	41026S	236R	TIMKE	236PKG
23522854	DETRO	483054V	23631 C-R	473573	237	ROCKW	100495
23523473-600471	SPG	600471	23632 C-R	470764!	237	ROCKW	5601
2352354	GMC	470898	23632 C-R	50764	23700	C-R	412119!
2352381	GMC	470954!	23634 C-R	470764	23701	C-R	412119!
235253	ALLCH	472409=	23634 C-R	50764	23702	C-R	412119*
2352810	GMC	480630!	2363HC SPG	472409	23702D	IH	450084!
2352811	GMC	480630!	2363S SPG	417254	23703	C-R	412119*
2352836	GMC	410496!	23640 C-R	41026S	237033	ALLCH	472179
2352946	GMC	416273!	23641 C-R	473573	23705	C-R	412119!*
235296	ALLCH	473438	23643 C-R	473474			
23706	C-R	412119* =			23706	C-R	412119
23706	C-R	412119			23707	C-R	412119!
23707	C-R	412119!			23708	C-R	412119!
23708	C-R	412119!			237082R91	IH	472164!
23709	C-R	412119*			23709	C-R	412119*
23710	C-R	412119!*			23710	C-R	412119!*
23711	C-R	412119!			237110	C-R	473213!
237110	C-R	473213!			237111	C-R	450054
237111	C-R	450054			237112	C-R	473215!
237112	C-R	473215!			237112	FAIRB	473215!
237112	FAIRB	473215!			237112	JA-MI	473215!
237112	JA-MI	473215!			237112	JAE	473215!
237112	JAE	473215!			237112Q7	GEHL	473215!
237112Q7	GEHL	473215!			237114	C-R	473225!
237114	C-R	473225!			237114	GR-DV	473225!
237115	C-R	473438			237115	C-R	473438
237116	BUC-E	470059			237116	BUC-E	470059
237116	BUC-E	470380!			237116	BUC-E	470380!
237116	C-R	470059			237116	C-R	470059
237116	C-R	470380			237116	C-R	470380
237116	FAIRB	470059			237116	FAIRB	470059
237116	FAIRB	470380!			237116	FAIRB	470380!
237116	GR-DV	470059			237116	GR-DV	470059
237116	GR-DV	470380!			237116	GR-DV	470380!
237116	LEROI	470059			237116	LEROI	470059
237116	LEROI	470380!			237116	LEROI	470380!
237116	STEEL	470059			237116	STEEL	470059
237116	STEEL	470380!			237116M1	C-R	470059
237116M1	C-R	470059			237116M1	C-R	470380
237116M1	C-R	470380			237117	C-R	470380
237117	C-R	470380			237117M1	C-R	470059
237117M1	C-R	470059			237117M1	C-R	470380
237117M1	C-R	470380			237118	C-R	472299
237118	C-R	472299			237120	BUC-E	473231!
237120	BUC-E	473231!			237120	C-R	473231
237120	C-R	473231			237120	ESSIC	473231!
237120	ESSIC	473231!			237120M1	C-R	473231
237120M1	C-R	473231			237124	C-R	473237!
237124	C-R	473237!			23717	C-R	412119!*
23717	C-R	412119!*			2371881	GMC	470898
2371881	GMC	470898			23719	C-R	412119!*
23719	C-R	412119!*			2371908	GMC	370012A
2371908	GMC	370012A			237197	CLARK	470898* =
237197	CLARK	470898* =			23721	C-R	40101S
23721	C-R	40101S			23721	GARLK	417211!
23721	GARLK	417211!			237224	CLARK	471466*
237224	CLARK	471466*			2372377	GMC	416500
2372377	GMC	416500			23725	C-R	442507
23725	C-R	442507			2372677	GMC	471267!
2372677	GMC	471267!			2372702	GMC	4563V
2372702	GMC	4563V			23729	C-R	412119!
23729	C-R	412119!			23730	C-R	412119!
23730	C-R	412119!			23733	GARLK	416345!
23733	GARLK	416345!			23734	C-R	413247!
23734	C-R	413247!			23735	C-R	413247!
23735	C-R	413247!			237360	GMC	470059
237360	GMC	470059			237360	GMC	470380!
237360	GMC	470380!			2373OS	JN-MN	415960
2373OS	JN-MN	415960			23740	C-R	413247!
23740	C-R	413247!			23741	C-R	413247!
23741	C-R	413247!			23742	C-R	413247!
23742	C-R	413247!			23743	C-R	413247!
23743	C-R	413247!			23744	C-R	200855*
23744	C-R	200855*			23745	C-R	410987!
23745	C-R	410987!			23745	GARLK	

Zero Duplication or Recommended Industrial		Zero Duplication or Recommended Industrial		Zero Duplication or Recommended Industrial		Zero Duplication or Recommended Industrial					
Mfr. No.	Name	Mfr. No.	Name	Mfr. No.	Name	Mfr. No.	Name				
23751	C-R	710006*	23801	C-R	416271!	2394037	GMC	370181A	24035	GARLK	417356!
23753	C-R	410987!	238039	CLARK	471271!	2395373	GMC	7006S	240356	TIMKE	240356
23754	C-R	410987!	2380496	GMC	417316!	2396498	GMC	413470	2403627	GMC	442380
23755	C-R	410987!	23806	C-R	2756N=	2396499	GMC	413246	2403628	GMC	442380
23756	C-R	410987!	23808	C-R	412861	239675	CLARK	471267=	2403665	GMC	40769S
237579	CLARK	413469=	23810	C-R	412861*	2396869	GMC	470898	240385	TIMKE	240385
23758	C-R	410987!	23811	C-R	412861*	2396870	GMC	470898	240398	SPG	471267!
23759	C-R	410987!	2381508	GMC	413246	2396880	GMC	240731	240400	NATL	6703S
2376	MID	470590	2381585	GMC	253099	2396T2	WHITE	471787!	2404052	CHRY5	484058
2376	MID-R	470590	23820	C-R	415857	239718	CLARK	473204=	2404121	CHRY5	8515N
23761D	IH	471750!	238200	HYST	472164!	2397420	GMC	472164!	2404134	CHRY5	473235
2376261	GMC	6808N	23824D	IH	455008	23977X	LIGET	440972	2404135	CHRY5	7216
23763	C-R	410987!	2383276	GMC	417254	2398209	GMC	415458!	240414	TIMKE	240414
23763	C-R	450686	23833	C-R	410825	2398220	GMC	415458!	2404215	CHRY5	8695S
23763	GARLK	417366!	23835	C-R	410825*	2398409	GMC	8792S	2404216	CHRY5	8704S
23765	C-R	416271!	23836	C-R	410825	2398465	GMC	470954	240435	TIMKE	240435
23766	C-R	416271!	23838	C-R	410825	239892	CLARK	4084=	240457	TIMKE	240457
23766	WOODB	472070	23839	C-R	410825	239A12708	TROS	9342S	240462	TIMKE	240462
23767	C-R	416271!	2383OS	JN-MN	450474*	239R	TIMKE	239PKG	240470	TIMKE	240470
23768	C-R	416271!	23840	C-R	410825	23PS221	C-P	471472!	240480	NATL	6597S
23769	C-R	416271!	23841	C-R	410825*	23R009	SHOV	472492!	240495	NATL	343185
2376OS	JN-MN	472185!	23841	C-R	410825*	23W015	SHOV	411253!	240495	WMG	343185
2377	NATL	713750	23842	C-R	416071	2400084	CHRY5	470898!	2405328	GMC	240733
2377	TIMKE	2377	23844	C-R	417480!	240009	TIMKE	240009	24055	GARLK	417357
23770	C-R	416271!	23845	C-R	417480!	2400163	CHRY5	8935S	2405935	GMC	3592
23771	C-R	416271=	23846	C-R	416071	240023	TIMKE	240023	240698	TIMKE	240698
23772	CONTI	471766!	238491	CLARK	JV1132=	24003	C-R	4160	240716	TIMKE	240716
237720	CLARK	415349=	2384945	GMC	470898	2400300	CHRY5	7300S	240731	TIMKE	240731
23773	C-R	416271	23851D	IH	450593!	2400566	GMC	470954!	240733	TIMKE	240733
23773	C-R	416271=	2385627	GMC	471570!	240076	ACF	50631	240735	TIMKE	240735
23774	C-R	471271!	23857	C-R	712375	24010	GARLK	415035	240736	TIMKE	240736
23775	C-R	416271!	23858	C-R	455650=	240119	TIMKE	240119	24075	CANAD	416041
23776	C-R	416271!*	2385S	NATL	4250	24012408	TROS	472843	24075	GARLK	416130!
23778	C-R	416271!*	23860	C-R	710006	24012808	TROS	473437	2407876	GMC	415449!
23779	C-R	416271!	2386619	GMC	418028	24013206	TROS	291099	2407877	GMC	415995!
23781	C-R	416271!	23870	C-R	5487	24013404	TROS	40369S	240816	TIMKE	240816
23782	C-R	416271!	23870101	JOHND	415958	24014004	TROS	473232!	240840	NATL	6597S
23788	C-R	416271!*	23873H	IH	415960	24014008	TROS	473232	24085	LAU	471570!
237909	ALLCH	413247!	2387418	GMC	472164!	24014010	TROS	473228!	2408OS	JN-MN	417491*
237913R1	IH	42101S	2387420	GMC	472164!	24014208	TROS	7457N	240912	HYST	415138!
237919	CLARK	451143	23880	C-R	710170	240143	KOHL	473234	240913	HYST	417362!
237933	ALLCH	417191	2388334	GMC	370023A	24014406	TROS	473235!	240949	TIMKE	240949
23794	C-R	416271!	23885	C-R	226150	24014408	TROS	473235!	24095	LAU	410102
2379514	GMC	472636!	23888	C-R	710528	24014411.25	TROS	473235	24097	C-R	5698
237983	EATON	471271	238888	EATON	471271!	24014412	TROS	473235	240A14404	TROS	473235!
2379OS	JN-MN	415697!	238918	ALLCH	472012	24014412.5	TROS	473235!	240A14812	TROS	472185!
2379OS	JN-MN	455547	23891D	IH	473213!	24014805	TROS	7607	240A16004	TROS	472319
237A15304	TROS	6960	238945	ALLCH	412920!	24014806	TROS	472185!	240A20004C	TROS	4148
237AW116-L	C-R	410059	238R	TIMKE	238PKG	24014808	TROS	472185!	240A20004C	TROS	471424!
237AW116-L	C-R	470380!	239	ROCKW	5603	24014811.25	TROS	472185!	240B15603.5	TROS	6985
237B122115	TROS	8594S	2390257	GMC	5408	240151	TIMKE	240151	240C15606	TROS	472439
237B12811.5	TROS	9116S	239092	CLARK	4084* =	24015204	TROS	44053	240C15606C	TROS	331227H
237C140X08.25	TROS	8835S	239103	NATL	224015	24015206	TROS	472070	240R	TIMKE	240PKG
237F116	C-R	410059	239128	TIMKE	239128	24015211.25	TROS	472070	240X270X15	FORSH	240X270X15
237F116	C-R	470380!	239129	TIMKE	239129	24015408	TROS	473451!	240X270X15	SIMRT	240X270X15
237FM116	C-R	410059	239134	TIMKE	239134	24015408	TROS	473462!	240X270X15SC	TRSCM	240X270X15
237FM116	C-R	470380!	23914404C	TROS	9178S	24015408	TROS	473462!	240X270X15TC	TRSCM	240X270X15
237R	TIMKE	237PKG	239146	TIMKE	239146	24015608	TROS	472439	240X280X16SC	TRSCM	240X280X16
237W116	C-R	470059	239150	NATL	5696	24015612	TROS	473464	240X280X16TC	TRSCM	240X280X16
237W116	C-R	470380	239152	NATL	35X47X7	24015612.5	TROS	472439	2410236	GMC	472164!
237W116M1	C-R	470059	239152	WMG	35X47X7	24016009	TROS	5121	24110	C-R	4019N
237W116M1	C-R	470380	239169R91	IH	415041	240164	CLARK	472636	2411035	WOOL	475384
237W120	C-R	473231	2391842	GMC	472164!	240178	KOHL	415995!	241130L	C-R	470409
237W120-M1	C-R	473231	239191	NATL	480630!	2401857	GMC	413248	241130L	C-R	50409
237WL116Q4	C-R	470059	239192	NATL	223535	24020004	TROS	40410S	2411979	GMC	330385!
237WL116Q4	C-R	470380	239193	NATL	35X47X7	24020008	TROS	471424!	2413360	GMC	370120A
237WL117M1	C-R	470059	239193	WMG	35X47X7	240211	REELE	471264!	241343	ACF	418028
237WL117M1	C-R	470380	239201	TIMKE	239201	240215	TIMKE	240215	241343	ACF	455137!
238	ROCKW	4561V	239218	CLARK	470954* =	24021604	TROS	341022	24137	MICH	471554!
238	ROCKW	5602	2392508	GMC	370015A	24027015A	HARWA	240X270X15	24137	UNIVE	471554!
2380	C-R	6X22X7!	2394035	GMC	370019A	240288	ALLCH	470625!	24140	Y-T	415196!
23800	C-R	416271!	2394036	GMC	370021A	240319	TIMKE	240319	24150	MICH	471567!

! Industrial Size/Type * Minor Width Difference = Call 1-800-480-1212 for price and delivery.

Zero Duplication or Recommended			Zero Duplication or Recommended			Zero Duplication or Recommended			Zero Duplication or Recommended		
Mfr. No.	Name	Industrial	Mfr. No.	Name	Industrial	Mfr. No.	Name	Industrial	Mfr. No.	Name	Industrial
24150	UNIVE	471567!	2422854	GMC	417355!	24316	C-R	474254	243W112-M1	C-R	6241S
24151-73B00	SUZUK	222030	2422854	GMC	485497	2431667	GMC	471267!	243W114	C-R	474264
241543	AVCO	204020	2422855	GMC	417355!	24316M1	C-R	474254	243W114-M1	C-R	474264
241543	AVCO	204505!	2422855	GMC	485497	24318	C-R	471818	243W118	C-R	471821!
24156	UNIVE	450340	2422856	GMC	5453 \$	243190	BRCWY	370036A	243W118-M1	C-R	471821!
2416276	GMC	5473	2422859	GMC	417480!	2431D5	WHITE	417316!	243W120	C-R	473367!
24169	DAVEY	418028	2422869	GMC	40769S	24320	C-R	413478	243W120	C-R	473367
24169	DAVEY	455137!	2422922	GMC	50631	24321	C-R	62X80X10V	243W120-M1	C-R	473367
2416949	GMC	416282	2423396	GMC	416271!	24322	C-R	413478	243W120-M1	C-R	473367!
2416950	GMC	416282	24255	C-R	471887	24322	CONTI	473458!	243W375	CONE	5520
241706	FULLE	417484	24255	GARLK	416556!	24323	C-R	413478	243WL112	C-R	470950!
2417294	GMC	473215!	24255	GARLK	472157	24325	C-R	413478*	243WL112	C-R	6241S
2417295	GMC	471765!	24258	C-R	412040	24328	C-R	413478	243WL114	C-R	474264
2417296	GMC	5751	24260	C-R	412040	2432D	GOODM	415995!	243Z120	C-R	473367
2417297	GMC	5751	2426024	GMC	417210!	24333	C-R	450104	243Z120	C-R	473367!
2417302	GMC	416167!	2426026	GMC	417210!	24334	C-R	450104	2440	TIMKE	2440
2417303	GMC	416167!	24261	C-R	412040	24335	EATON	473235!	244007XX	TIMKE	24X40X7
2417306	GMC	6649	24263	C-R	412040	243354SA	TRSCM	411245	2440720	GMC	6638S
2417308	GMC	6872S	24270	C-R	412040	2433567	GMC	100495	2440721	GMC	6638S
2417311	GMC	415317	24278	C-R	412040	2433567	GMC	417349	2440722	GMC	6638S
2417312	GMC	417316=	24281	C-R	411500	243363VAY	TRSCM	3210	24408	C-R	417073
2417316	GMC	410308!	2428573	GMC	HU042A	2433650	GMC	415458!	2440D	GOODM	455019!
2417317	GMC	410308	24286	C-R	411500	2433651	GMC	415458!	244112	C-R	471276
2417318	GMC	415234!	242860	ALLCH	415371	2433667	GMC	470898	244116	C-R	471344
2417319	GMC	415234	24287	C-R	411500	24340	C-R	450104*	244124	C-R	471504!
2417330	GMC	415960	2429131	GMC	471787!	2434156	GMC	470898!	24412408	TROS	450776!
2417331	GMC	415960	2429141	GMC	471538!	24345	C-R	450104	244124M1	C-R	471504!
2417332	GMC	472636!	2429241	GMC	476574N	2434696	GMC	412119	24412804	TROS	471862
2417333	GMC	472636!	24294	C-R	411500	2434707	GMC	480574H	24412808	TROS	471862
2417334	GMC	417487!	24295	C-R	411500=	2434D	GOODM	417487	24413208	TROS	470487!
2417334	GMC	417487	24297	GARLK	416891!	2434OS	JN-MN	450765!	244132X08	TROS	470487!
2417336	GMC	410825=	24299	C-R	411500	243507XX	TIMKE	24X35X7	244135X08	TROS	8695S
2417337	GMC	410825	242B120	C-R	473367	24355	C-R	411245!	24413604	TROS	471316
2417340	GMC	5403	242BM120	C-R	473367	24356	C-R	411245!	24413606	TROS	471316
2417342	GMC	5405	242GG120	C-R	473367	2435738	GMC	416167!	24413609	TROS	6336S
2417343	GMC	471766!	242GG120	C-R	473367!	2435738	MOHWK	416167!	24414408	TROS	474265
2417344	GMC	471766!	242H120	C-R	473367	2435739	GMC	480630!	24414608	TROS	50075=
2417345	GMC	7006S	242H120	C-R	473367!	2435740	GMC	410496!	24414808	TROS	470334!
24174	DAVEY	473231!	242R	TIMKE	242PKG	2435E	GOODM	417488!	24415008	TROS	450269
24175	DAVEY	470530!	24300	C-R	411500=	2436463	GMC	6808N	24415208	TROS	471866!
24175	MICH	471684!	24302	C-R	413478	243649	BRCWY	415137!	24416	C-R	474256
24175	UNIVE	471684!	24302	GARLK	416135!	243649	BRCWY	418028	24416008	TROS	473459
24176	VICK	240731	2430D	GOODM	417349	2436547	GMC	415995!	24416208	TROS	450472!
2417701	GMC	370181A	2430OS	JN-MN	417541*	243663	BRCWY	411253!	244169	ALLCH	473010
2417702	GMC	370021A	24311	C-R	411500*	2436953	GMC	417316!	24416M1	C-R	474256
2417779	GMC	470565!	243112	C-R	470950	24370	C-R	411245!	24420006C	TROS	7751H
2417780	GMC	416654!	243112	C-R	6241S	243707A	HARWA	24X37X8	24420008	TROS	471870!
2417781	GMC	456618	243112M1	C-R	470950!	243707XX	TIMKE	24X37X7	244207XX	TIMKE	24X42X7
24177902	ALLCH	471192	243112M1	C-R	6241S	24371	C-R	411245!	244210A	HARWA	24X42X8
2417791	ALLCH	471192	243113	C-R	50254=	24372	C-R	411245* =	244210XX	TIMKE	24X42X10
241790	ALLCH	472179	243114	C-R	474264	2437999	GMC	415995!	2442177	GMC	6270
24182	UNIVE	450033	243114	GR-DV	474264	243807XX	TIMKE	24X38X7	2442178	GMC	6270
24183	MICH	450033	243114M1	C-R	474264	2438255	GMC	417316!	2442179	GMC	6270
2418RC	SUL	417316!	243115	C-R	473439!	2438877	GMC	7866S	2442180	GMC	5401
2419982	GMC	416654	243116	C-R	471820	2438878	GMC	7866S	2442181	GMC	7512S=
241R	TIMKE	241PKG	243118	C-R	471821!	2438OS	JN-MN	416345!	24429	DAVEY	416921!
24201470	GMC	4934	243118M1	C-R	471821!	2438OS	JN-MN	455033	2442911	GMC	415995!
24201871	GMC	3543	243119	C-R	450065	2439186	GMC	473242	2442912	GMC	415995!
24201991	GMC	224840	24312	C-R	411500*	2439188	GMC	5361=	2442946	GMC	471267!
24202535	GMC	4950	243120	C-R	473367!	24396	C-R	411245!	2443	TIMKE	2443
24202835	GMC	3543	243120	C-R	473367	24397	C-R	411245!	2443570	GMC	417316!
24204330	GMC	100165*	243120	GOODM	473367!	243B120	C-R	473367	244415	GMC	HU009A
24204540	GMC	4583	243120	GOODM	473367	243BB120-L	C-R	473367	2444160	GMC	442380
2420630	GMC	6808N	243120M1	C-R	473367!	243BB120-L	C-R	473367!	2444414	GMC	HU066A
24207336	GMC	4333N	243120M1	C-R	473367	243BM112	C-R	473367	2444415	GMC	HU009A
24209839	GMC	4598	243120ML	BUC-E	473367	243F114	C-R	474264	24445	C-R	417073
242120	C-R	473367	243120ML	BUC-E	473367	243HMS120	C-R	473367	24448	C-R	417073
242120	C-R	473367!	243122	C-R	473445	243R	TIMKE	243PKG	2444860	GMC	733067
242120M1	C-R	473367!	243123	C-R	50327	243T120	C-R	473367	2444861	GMC	370036A
242120M1	C-R	473367	24314J	DIA	474276!	243W112	C-R	470950	2444861	GMC	370349A
242133X09.5C	TROS	8610	2431525	GMC	415995!	243W112	C-R	6241S	24449	C-R	417073
242134X08	TROS	8610	2431526	GMC	415995!	243W112-M1	C-R	470950	2445-6623	HINO	710371

! Industrial Size/Type * Minor Width Difference \$ F-M Number Is Part Of A Kit = Call 1-800-480-1212 for price and delivery.

NUMERICAL

Zero Duplication or Recommended		Zero Duplication or Recommended		Zero Duplication or Recommended		Zero Duplication or Recommended					
Mfr. No.	Name	Mfr. No.	Name	Mfr. No.	Name	Mfr. No.	Name				
2445-6624	HINO	710371	2455093	GMC	730016	2467929	GMC	415995!	24814408	TROS	473236!
244530	GMC	415001!	2455130	GMC	413246	2467929	GMC	415995!	24814804	TROS	472179
244531	ACF	40468	2455143	GMC	412119	24680	LIGET	203034	24814807.75	TROS	472179
244531	GMC	40468	2455151	GMC	472636!	2468537	GMC	415458	24814808	TROS	472179
24455	GARLK	416888!	2455943	GMC	418028	2468T2	WHITE	415449!	24814810	TROS	472179
24459	C-R	3210	24566	LAU	50209	24692603	ALLCH	472258	24814811.25	TROS	472179
244631	SPICE	470898	2456738	GMC	370005A	2469341	GMC	6808N	24814812	TROS	472179
2446372	GMC	470954!	2456739	GMC	370005A	2469545	GMC	473228	24815008	TROS	450285
2446691	GMC	415458	2456752	GMC	370021A	246991	GMC	415458	24815208	TROS	473449
2446748	GMC	471787!	2457	TIMKE	2457	246A11607.5	TROS	450341	24815307.75	TROS	7600S
2446RC	SUL	416107!	24573976	GMC	40375	246A14806	TROS	200354	24815408C	TROS	473452
2446RC	SUL	455073	2457433	GMC	370019A	246A15607.5	TROS	7107A=	24815604	TROS	42421S
244707XX	TIMKE	24X47X7	2457RC	SUL	416345!	246A20606	TROS	6590S	24815608	TROS	472572!
24472709	SIMRT	370220A	2457RC	SUL	455033	246B12407.5	TROS	450456!	2481RC	SUL	418028
24473	C-R	8636=	2458346	GMC	472636!	246B14804	TROS	204038	2481RC	SUL	455137!
24475	GARLK	416153!	2459229	GMC	471539!	246C14806	TROS	200354	24820004	TROS	40389S
24476	VICK	450313	245964	ACF	473447	246C14806.5	TROS	203002	24820006	TROS	8804S=
2447666	GMC	472164!	245A15808.25	TROS	9449	246D15603.75	TROS	7107A=	24820008	TROS	472492!
2447696	GMC	100495	245G114	C-R	474264	246R	TIMKE	246PKG	24820604	TROS	41013S
2447696	GMC	417349	245G120	C-R	473367	24708	VICK	450639	2482279	GMC	415483
2447861	GMC	417349!	245G120	C-R	473367!	2470LPD	JN-MN	412027	248373	ALLCH	6222
2447RC	SUL	471750!	245HMS120	C-R	473367	2470OS	JN-MN	412027	248374	ALLCH	471344
2448142	GMC	7188S	245HMS120	C-R	473367!	24710	C-R	63X78X8	248426	ALLCH	204038
2448159	GMC	353135	245R	TIMKE	245PKG	247100	ALLCH	200118=	24842601	ALLCH	204038
2448159	GMC	474278!	24607	FI-CO	450604	247165	ALLCH	473452	2484551	GMC	471466!
24482	C-R	55346	2461313	GMC	415854	247167	ALLCH	473452	2484560	GMC	472397!
244888	ALLCH	470687	24613408	TROS	8940S	2471OS	JN-MN	455151	2484561	GMC	472397!
2448882	ALLCH	470687	2461368	GMC	471887	247224	ACF	472164!	2485	F-R-H	415041
2448RC	SUL	417344!	24614	CONTI	451583!	247224	GMC	472164!	248542	VICK	240356
244961	ALLCH	473215!	24614804	TROS	323119	2472290	GMC	415458	24860	C-R	40555
24496101	ALLCH	473215!	2461RC	SUL	415076	2472341	GMC	5957S	24860	C-R	40555S!
24498	GARLK	416892!	24620	C-R	62X80X10	24725	C-R	63X80X8	24863	C-R	40555
2449RC	SUL	471765!	24620	C-R	62X80X9!	24734	VERSA	370119A	24863	C-R	40555S!
244B16008C	TROS	473459	2462289	GMC	471271!	2473RC	SUL	417491	248630	HYST	472015!
244R	TIMKE	244PKG	24625	GARLK	415138!	2474278E50	SUZUK	1981	24865	C-R	710027
244W120	C-R	473367	24626	C-R	62X80X10	247548	ALLCH	470530=	24868	C-R	39803
244W120	C-R	473367!	24629	C-R	62X82X8	24755	C-R	63X85X10	24875	C-R	43290S
2450	C-R	343104	2462993	GMC	415458!	24758	C-R	63X85X10	24879	C-R	473476
245040	BRCWY	416654!	24630	C-R	350942	2475900	IVECO	713094	2487938	GMC	471689!
24504098	GMC	473241	2463199	GMC	415983N!	24761	JOHND	476838!	24880	C-R	40337S
2451326	GMC	472560N!	24635	C-R	226285	2476620	GMC	410737!	24881	C-R	472029
24516	EATON	473016!	24635	C-R	62X85X8!	247667	HYST	JV1944=	24882	C-R	472029
2451769	GMC	473243=	24638	C-R	226285*	24767	LAU	471649!	24883	C-R	472029=
245187	BRCWY	416654	24638	C-R	62X85X8*	2476973	GMC	415447	24886	C-R	3942
245207XX	TIMKE	24X52X7	24640	C-R	226285*	24770	C-R	63X88X8	24888	C-R	5109*
2453129	CHRY	484054	24640	C-R	62X85X8*	24772-61A00	SUZUK	473823	2488828	GMC	415483
2453130	CHRY	291295	2464131	GMC	471413	2477708	GMC	370001A	2488829	GMC	415483
2453131	CHRY	7537S	24642	C-R	226285	2477867	RFT	713140	24889	C-R	410752
2453133	CHRY	8293S	2464259	GMC	417316!	24780-79001	SUZUK	710347	24894	C-R	410752
2453134	CHRY	8610	2464492	CHRY	9487	24780-79001	VILA	710347	24895	C-R	471271!
2453135	CHRY	8168=	24645	GARLK	417247!	24780-83010	SUZUK	223215	24896	C-R	471271!
2453136	CHRY	472070	2464528	GMC	417211!	2478083000	SUZUK	223215	24897	C-R	471271!
2453137	CHRY	473317	2464660	GMC	415995!	2478362	GMC	471141!	24898	C-R	471271!
2453138	CHRY	7686S	2464660	GMC	415995!	2478368	GMC	471466!	24899	C-R	471271
2453139	CHRY	6952S=	24649	C-R	62X88X8	24785	C-R	1935*	248A13208	TROS	474281!
2453140	CHRY	340356	2465	TIMKE	2465	2478619	IVECO	713143	248A13808	TROS	450274
2453142	CHRY	472572!	24650	C-R	50560	247868	ALLCH	411978N=	248A14808	TROS	473447
2453143	CHRY	473452	246564	ALLCH	416292	24786802	ALLCH	411978N=	248A15607C	TROS	473179
2453144	CHRY	6855N=	24656403	ALLCH	416292	24788	C-R	63X90X10	248A15608	TROS	473179!
2453145	CHRY	470774!	24659	C-R	62X90X10	247893	VICK	472560N	248A15610.5	TROS	473179!
2453146	CHRY	205017	2465S	SPG	2465	247A14708.25	TROS	5836	248B20005	TROS	5113
2453147	CHRY	40769S	2465SS8	SPG	2465	247A15108.25	TROS	6781	248B20005	TROS	7721!
2453952	GMC	6638S	2466057	GMC	417134	247FF124	AT-PL	6489	248C20006	TROS	331107N
245396	BRCWY	475348N	24661	C-R	62X90X10	247R	TIMKE	247PKG	248GG116-L	C-R	473228
2454230	GMC	473242	24662	C-R	62X90X10!	24800	C-R	1935	248R	TIMKE	248PKG
245443	BRCWY	5M466	2466842	CHRY	471539	24800	LISLE	CQ2000=	248W116	C-R	473228
245472	BRCWY	472636!	24670	C-R	6575S	24800	LISLE	RD2000	248Z116	C-R	473228
2455043	GMC	HU110A	2467131	GMC	473228!	2480035	GMC	452742	24900	C-R	471271!
2455044	GMC	733067	24676	HYST	470605!	2480RC	SUL	472636!	24901	C-R	442380
2455045	GMC	370007A	24678	C-R	62X100X7*	24813208	TROS	473440!	24902	C-R	442380
2455047	GMC	417505	24679	C-R	62X100X7*	24814004	TROS	40286	24904	C-R	442380
2455092	GMC	370012A	24679	C-R	62X100X8*	24814008	TROS	474274	24905	C-R	471271!

! Industrial Size/Type * Minor Width Difference = Call 1-800-480-1212 for price and delivery.

Zero Duplication or Recommended		Zero Duplication or Recommended		Zero Duplication or Recommended		Zero Duplication or Recommended					
Mfr. No.	Name	Mfr. No.	Name	Mfr. No.	Name	Mfr. No.	Name				
24906	C-R	7018N=	24977	C-R	415449!	24C55147	FWD	415449!	250124	AT-PL	472164!
24907	C-R	471271!	24978	C-R	415449!	24C55150	FWD	415150!	250124	C-R	472164!
24908	C-R	471271!	24979	C-R	415449!	24C55177	FWD	415379	250124M1	C-R	472164!
24909	C-R	471271!	24980	C-R	415449!	24C55177	FWD	415379!	250130	C-R	471195!
24910	C-R	471271!	24982	C-R	415449!	24C55195	FWD	472157!	250135	SPG	415995!
24911	C-R	471271!	2498220	GMC	370048A	24C55195	FWD	472157	25014808	TROS	200600
249122	C-R	473234!	2498220	GMC	380048A	24C55196	FWD	415196!	25016	C-R	415449!
249124	C-R	472164!	24984	C-R	3894V	24C55203	FWD	455203	25016	CONTI	471267!
249124M1	C-R	472164!	24984	C-R	415449!	24C55271	FWD	415725!	250187R91	IH	472924!
24913	C-R	471271	24986	C-R	415449!	24C55272	FWD	416706!	2501CS	CASE	450415
24914	C-R	471271	24988	C-R	415449!*	24C55281	FWD	417349	2502	C-R	352541
24916	C-R	471271	24988	C-R	415449*	24C55305	FWD	415991	25020	C-R	415449!
24917	C-R	4250	24989	C-R	415449	24C55305	FWD	455146!	25021	C-R	415449!
2491RC	SUL	416654!	2498OS	JN-MN	417262!	24C55315	FWD	415984!	25022	C-R	415449!
2492	TEKNI	471538!	24990	C-R	415449!	24C55355	FWD	417158!	250220	ALLCH	470625!
24920	C-R	6785	24991	C-R	3894V	24C55364	FWD	416664!	250221	ALLCH	470059
2492115	GMC	730003	24999	C-R	415449!	24SR100	IG-RA	471192	250221	ALLCH	470380!
2492116	GMC	HU036A	2499919	GMC	472636!	24X35688A	JOHND	455253	250222	ALLCH	473016!
24923	C-R	4250	2499LPD	JN-MN	415683	24X35X7SC	TRSCM	222410	250225	ALLCH	472070
24924	C-R	410496!	2499LUP	JN-MN	415683	24X35X7SC	TRSCM	24X35X7!	25024	C-R	415449!
24925	C-R	410496!	249A-007	BENDI	480630	24X35X7TC	TRSCM	24X35X7	25025	C-R	415449!
24926	C-R	410496!	249A16008C	TROS	2043	24X37X7	NATL	24X37X8	25028	C-R	8975S
24928	C-R	410496!	249C116	C-R	473228	24X37X7	SIMRT	24X37X8	25028015A	HARWA	250X280X15
24929	C-R	40496S=	249M128-L	C-R	473454	24X37X7SC	TRSCM	24X37X7	2503	TIMKE	2503
2492952	GMC	415991	249R	TIMKE	249PKG	24X37X7TC	TRSCM	24X37X7	25030	GARLK	415725!
2492952	GMC	415991!	24A103	FWD	471765!	24X38X7SC	TRSCM	24X38X7	25033	C-R	415001!
2492RC	SUL	417621!	24A108	FWD	473228	24X38X7TC	TRSCM	24X38X7	25035	C-R	415001!
24930	C-R	410496!	24A110	FWD	473232	24X40X7	NATL	1990	25036	C-R	415001!
2493047	GMC	415995!	24A214	FWD	417158!	24X40X7SC	TRSCM	24X40X7!	25038	C-R	415001!
24931	C-R	410496!	24B275112	FWD	450463	24X40X7TC	TRSCM	24X40X7!	2503N	TIMKE	2503N
24932	C-R	410496!*	24B275122	FWD	473236!	24X42X10SC	TRSCM	24X42X10	25042	C-R	415001!*
24933	C-R	410496!*	24C50099	FWD	412531	24X42X10TC	TRSCM	24X42X10	25043	C-R	415001!*
24934	C-R	470605*	24C50115S	FWD	473467!	24X42X7	ISP	24X42X7	250437V	TIMKE	250437V
24935	C-R	410496!*	24C50117	FWD	472572!	24X42X8	SIMRT	24X42X8	250437VD	SPG	250437V
24937	C-R	410496!	24C50120	FWD	471224!	24X46X7SC	TRSCM	24X46X7	25044	C-R	415001!
24938	C-R	410496!	24C50136	FWD	470625!	24X46X7TC	TRSCM	24X46X7	25045	C-R	415001!
24939	C-R	470605!	24C50204	FWD	471231!	24X47X7SC	TRSCM	24X47X7	25046	C-R	415001!
2493RC	SUL	472636!	24C50219	FWD	471649!	24X47X7TC	TRSCM	24X47X7	25047	C-R	415001!
24940	C-R	470605!	24C50301	FWD	472397!	24X52X7SC	TRSCM	24X52X7	2504T2	DIA	472636!
24941	C-R	470605=	24C50315	FWD	473245!	24X52X7TC	TRSCM	24X52X7	2505	TIMKE	2505
24942	C-R	470605!	24C50316	FWD	472636!	25-1358	TW-CO	471689!	25050	HYST	473225
24943	C-R	470605!	24C50320	FWD	473475	25001	CONTI	471267!	25054	C-R	415001!
24945	C-R	470605!	24C50332	FWD	450332	25001-2813	GARLK	415064	25058	C-R	415001!
24946	C-R	470605!	24C50350	FWD	413247!	25004	SPG	417316!	25058	ALLCH	472397!
24947	C-R	470605!	24C50352	FWD	472164!	25005	C-R	4624V	25059	C-R	415001!
24948	C-R	470605!	24C50360	FWD	471870!	25005	HK-SY	415960!	2505S	SPG	2505
24949	C-R	473274	24C50365	FWD	470898!	25007	C-R	444042!	2505V	SPG	2505V
24951	C-R	473274	24C50394	FWD	473227	25008H	IH	5MR71	2506	TIMKE	2506
24954	C-R	470605!	24C50405	FWD	50405	25008HB	IH	5MR71	25060	C-R	415001=
24955	C-R	470605!	24C50480	FWD	323138!	25011	C-R	415449!	25060	EUROS	120X150X12
24957	C-R	415449!	24C50520	FWD	471272!	25011	SPG	416921!	250605	ALLCH	415960!
24958	C-R	415449!	24C50756	FWD	472394	250112	C-R	471835!	250618	ALLCH	414268=
24959	C-R	415449!	24C50779K	FWD	473238!	250114	C-R	473226	250646C91	IH	42101S
2495OS	JN-MN	415725!*	24C55004	FWD	417316!	250116	ALLCH	473228	25065	C-R	415001
2495RC	SUL	416654!	24C55013	FWD	415995!	250116	C-R	473228	250653R91	IH	471689!
24960	C-R	415449!	24C55018	FWD	476470	250116	JA-MI	473228	250659R91	IH	470712!
24964	C-R	4561V	24C55021	FWD	415021	250116	JAE	473228	25067	C-R	416273
2496482	GMC	415995!	24C55023	FWD	415023	250116M1	C-R	473228	25068	C-R	416273!
2496482	GMC	415995!	24C55026	FWD	455026	250118	C-R	473229	250689CA	SPG	1126
24965	C-R	415449!	24C55027	FWD	415027	250118	GOODM	473229	25069	C-R	416273!
2496560	GMC	415458	24C55027	FWD	415027!	250118M1	C-R	473229	2506925	CHRY	415449!
2496561	GMC	415483	24C55029	FWD	416125!	250119	C-R	482253	25070	C-R	416273
2496562	GMC	415458	24C55035	FWD	415035	250119	CLARK	482253	25071	C-R	416273!
24967	C-R	415449!*	24C55035	FWD	415035!	25012	CLIN	472258	25072	C-R	416273
24969	C-R	415449!	24C55088K	FWD	415088!	250120	C-R	473010	25072	SPG	415072
24970	C-R	415449!	24C55088K	FWD	415088	250120	GOODM	473010	25072S	WABCO	415072
24971	C-R	415449!	24C55093	FWD	411376!	250120	JEFF	473010	25073	C-R	416273!
24973	C-R	415449!	24C55114K	FWD	455584	250120K	GOODM	473010	25074	C-R	416273
24974	C-R	415449	24C55137	FWD	418028	250120M1	C-R	473010	25075	C-R	416273
24974	C-R	415449=	24C55137	FWD	455137!	250121	C-R	450260	25077	C-R	416273
24975	C-R	415449!	24C55146	FWD	415991	250122	C-R	473234	25078	C-R	200851
24976	C-R	415449!	24C55146	FWD	455146!	250122M1	C-R	473234	25080	GARLK	416865!

! Industrial Size/Type * Minor Width Difference = Call 1-800-480-1212 for price and delivery.

NUMERICAL

Zero Duplication or Recommended Industrial		Zero Duplication or Recommended Industrial		Zero Duplication or Recommended Industrial		Zero Duplication or Recommended Industrial	
Mfr. No.	Name	Mfr. No.	Name	Mfr. No.	Name	Mfr. No.	Name
250801	ALLCH	472258!	25140 C-R	4525V	252815	ALLCH	472179
25082	C-R	415449*	251449R91	IH	474279N	252825	ALLCH
250832	ALLCH	415035	25146 C-R	3136N	471785!	252835R91	IH
250832	ALLCH	415035!	25146 SPG	415146!	472258!	252849	ALLCH
250833	ALLCH	473228	25146 SPG	415991	415449!	252882R91	IH
250834	ALLCH	473245 =	25147S	SPG	415449!	252903	ALLCH
250849	ALLCH	JV1582 =	25140S	JN-MN	416292	252R	TIMKE
250857	ALLCH	200851	25150	MICH	481568!	2530 C-R	240435*
25088	C-R	455079!	25150	UNIVE	481568!*	25305	NATL
25089	C-R	455079!	251511	TIMKE	251511	25305	NATL
2508931	CHRY	343185	2515119	CHRY	410737!	253052	ALLCH
2508969	CHRY	415458	251511SS0	SPG	251511	253099	NATL
250907R91	IH	476470	2515187	CHRY	415483	253099	TIMKE
250907R91	IH	476470!	25156	SPG	417621!	2531	CHRY
25091	C-R	455079!*	25150S	JN-MN	412119!	2531	TORO
25093	C-R	455079!	25160	C-R	5401	25310	GARLK
25094	C-R	455079!	25162	MICH	481644	25310	TORO
250A-116	BUC-E	473228!	25162	SPG	417181!	253100	TORO
250A15609.5	TROS	414045!	25162	UNIVE	481644	253109	TORO
250C116	C-R	473228	25169	STAR	240735	25312	TORO
250CP120-M1	C-R	473010	25171	C-R	226480	253122	TORO
250L116	C-R	473228	25175	MICH	471337	25312VH	TRSCM
250R	TIMKE	250PKG	25175	UNIVE	471337	25313TB	TRSCM
250W112	C-R	471835!	251756	ALLCH	473445	25315	TORO
250W112-M1	C-R	471835!	25176	C-R	710130	25318	TORO
250W116	C-R	473228	25182	UNIVE	474273	25319	TORO
250W116-M1	C-R	473228	25183	MICH	474273	2531A	DURA
250W118	C-R	473229	25185	C-R	64X80X81	2532	ALOY
250W118-M1	C-R	473229	251862	ALLCH	471341!	25321	TORO
250W120	C-R	473010	25190	C-R	710277	25322	TORO
250W120-M1	C-R	473010	25196	C-R	710256	25322VB	TRSCM
250W122	C-R	473234	251G124	C-R	472164!	25323	TORO
250W122-M1	C-R	473234	251R	TIMKE	251PKG	25323TB	TRSCM
250W124	C-R	472164!	2520	MID	471689!	25324	TORO
250X280X15	FORSH	250X280X15	2520	MID-R	471689!	253248	ALLCH
250X280X15	SIMRT	250X280X15	2520124	CLARK	710015	25324SA	TRSCM
251-407-629	VW	65X80X8	252050C91	IH	471413!	25324TA	TRSCM
251-407-641A	VW	225500	252051C91	IH	473231!	25325	TORO
2510	C-R	350435	252051C92	IH	473231!	253265	ALLCH
25100	C-R	415082*	2520742	BENDI	340210	253265	ALLCH
25102	C-R	415082	252081R91	IH	417316!	25327	TORO
25102	CONTI	471539!	252097R91	IH	417967!	25328	TORO
25104	C-R	415082	252098R91	IH	455191	25329	TORO
25105	C-R	415082	2521	MID	471649!	253297	ALLCH
25106	C-R	415082	2521	MID-R	471649!	2533	ALOY
25108	C-R	455655!	252117	ALLCH	415379!	2533	TORO
2511	C-R	350435	252117	ALLCH	415379	25330	TORO
2511035	WOOL	415711	25214	HARRI	472299	25331	SPG
25111	C-R	455655!	252148X09.5C	TROS	8460N	25331	TORO
25111	SPG	416229	25215	HARRI	471270!	25331	TORO
25112	C-R	455655!	252153	ALLCH	417316!	25332	TORO
251124L	C-R	473234	252154	ALLCH	411376!	253341	ALLCH
251128L	C-R	473454	25215608	TROS	5126	253354SA	TRSCM
25113	C-R	455655 =	2521RC	SUL	471766!	253358	ALLCH
25113	C-R	455655	252253	SPERY	455134!	25336	TORO
2511337	CHRY	6872S	252277	ACF	470059	25338	TORO
25114	C-R	355732	252277	ACF	470380!	253382	ALLCH
25116	C-R	470059	252277	TIMKE	252277	253388	ALLCH
25116	C-R	470380	25227763	GR-RP	411178 =	2533D	GOODM
251191	ALLCH	471765!	2522RC	SUL	415035	2534	ALOY
2512	C-R	350435	2522RC	SUL	415035!	2534	TORO
2512254	CHRY	6808N	2523BG	SPG	472016	253403	ALLCH
251232	ALLCH	450273	2523RC	SUL	416339	253413	ALLCH
2512332	CHRY	415983N!	2523RC	SUL	455031!	25343	TORO
2512BRGE	SABO	712512	252464	GMC	5070	25343TB	TRSCM
25130	GARLK	417278	252491	ALLCH	473475	25344	TORO
25132	STANT	35001	2524RC	SUL	472924!	253441	ALLCH
2513602	CHRY	370086A	2525063	CHRY	41257!	25345	TORO
25137	UNIVE	481443!*	252602	ALLCH	471224!	25347	TORO
251378R91	IH	417350!	252612	ALLCH	471192	25348	TORO
251379R91	IH	450313	252649	ALLCH	472287!	2535	ALOY
2514	C-R	350435	252707R1	NAVST	414	25350	C-R
25350	GARLK	417358	253502VAY	TRSCM	8975S	253504SSB	TRSCM
253502VAY	TRSCM	8975S	253506XX	TIMKE	25X35X6	253507XX	TIMKE
253504SSB	TRSCM	415449	253515	ALLCH	471271!	25352	TORO
253506XX	TIMKE	25X35X6	25352	VH	TRSCM	444042!	
253507XX	TIMKE	25X35X7	25353	TORO	474254	25354	TORO
253515	ALLCH	471271!	25354	TORO	474256	253541	ALLCH
25352	TORO	471870!	253544SA	TRSCM	415001	253545TA	TRSCM
25352VH	TRSCM	444042!	25354SA	TRSCM	415449	25354TA	TRSCM
25353	TORO	474254	25354TA	TRSCM	415449	253579	ALLCH
25354	TORO	474256	2536	TORO	471750!	2536	ALOY
253541	ALLCH	472185!	2536	TORO	200354	2536	TORO
253544SA	TRSCM	415001	253607XX	TIMKE	25X36X7	253608XX	TIMKE
253545TA	TRSCM	415001!	253632	ALLCH	473243	2536480	CHRY
25354SA	TRSCM	415449	2536480	CHRY	3095	2536481	CHRY
25354TA	TRSCM	415449	2536481	CHRY	3103!	25364SA	TRSCM
253579	ALLCH	416273	25364SA	TRSCM	416273!	25364SA	TRSCM
2536	ALOY	3227	2536694	CHRY	3103!	253691	ALLCH
2536	TORO	471750!	2536D	GOODM	417172	2536T2	DIA
253607XX	TIMKE	25X36X7	2536T2	DIA	470898!	2536T2	WHITE
253608XX	TIMKE	25X36X8	2536T2	WHITE	470898	2537	ALOY
253632	ALLCH	473243	2537	ALOY	8622	2537	TORO
2536480	CHRY	3095	2537	TORO	471765!	253701	TORO
2536481	CHRY	3103!	253701	TORO	340797	253701	ALLCH
25364SA	TRSCM	416273!	253701	ALLCH	471692!	253707XX	TIMKE
25364SA	TRSCM	416273!	253707XX	TIMKE	25X37X7	2537153	CHRY
2536694	CHRY	3103!	2537153	CHRY	474278!	2537153	CHRY
253691	ALLCH	472636!	2537153	CHRY	6859S	253747	TIMKE
2536D	GOODM	417172	253747	TIMKE	253747	253747	TRSCM
2536T2	DIA	470898!	253745A	TRSCM	455079!	253752CA	SPG
2536T2	WHITE	470898	253752CA	SPG	1984	2537689	CHRY
2537	ALOY	8622	2537689	CHRY	471466!	2537899	CHRY
2537	TORO	471765!	2537899	CHRY	7013S	253792	ALLCH
253701	TORO	340797	253792	ALLCH	55141	2538	ALOY
253701	ALLCH	471692!	2538	ALOY	203025	2538	TORO
253707XX	TIMKE	25X37X7	2538	TORO	415449!	253807XX	TIMKE
2537153	CHRY	474278!	253807XX	TIMKE	25X38X7	253845A	TRSCM
2537153	CHRY	6859S	253845A	TRSCM	455280	2538557	CHRY
253747	TIMKE	253747	2538557	CHRY	473234!	2539	ALOY
253745A	TRSCM	455079!	2539	ALOY	473677	2539	TORO
253752CA	SPG	1984	2539	TORO	451583!	25391	TORO
2537689	CHRY	471466!	25391	TORO	415088!	25391	TORO
2537899	CHRY	7013S	25391	TORO	476514	25393TB	TRSCM
253792	ALLCH	55141	25393TB	TRSCM	476514	25396	TORO
2538	ALOY	203025	25396	TORO	472560N!	25398	TIMKE
2538	TORO	415449!	25398	TIMKE	25398	25398	TRSCM
253807XX	TIMKE	25X38X7	254002	SPERY	416043	25400	GARLK
253845A	TRSCM	455280	254002	SPERY	416043	254007XX	TIMKE
2538557	CHRY	473234!	254007XX	TIMKE	25X40X7	254032-C91	IH
2539	ALOY	473677	254032-C91	IH	370120A	2540D	GOODM
2539	TORO	451583!	2540D	GOODM	415021	25410	C-R
25391	TORO	415088!	25410	C-R	226515	25410	C-R
25391	TORO	415088!	25410	C-R	65X80X8	2541245	WHITE
25393TB	TRSCM	476514	2541245	WHITE	5539 =	25415	C-R
25396	TORO	472560N!	25415	C-R	65X82X8	25416	C-R
25398	TIMKE	25398	25416	C-R	226515	25416	C-R
254002	SPERY	416043	25416	C-R	65X80X8!	2541730	CLARK
254007XX	TIMKE	25X40X7	2541730	CLARK	710010	25418	C-R
254032-C91	IH	370120A	25418	C-R	710094	25419	C-R
2540D	GOODM	415021	25419	C-R	712005	25420	C-R
25410	C-R	226515	25420	C-R	226520	25420	C-R
25410	C-R	65X80X8	25420	C-R	65X85X10!		
2541245	WHITE	5539 =					
25415	C-R	65X82X8					
2541							

Zero Duplication or Recommended			Zero Duplication or Recommended			Zero Duplication or Recommended			Zero Duplication or Recommended		
Mfr. No.	Name	Industrial	Mfr. No.	Name	Industrial	Mfr. No.	Name	Industrial	Mfr. No.	Name	Industrial
25420	C-R	65X85X8	25523327	GMC	473241	25640	C-R	415988	258511BB	WALKE	415150!
25420407.25	TROS	5877	25524	MALL	471652	25641	C-R	415988	258511BE	Y-T	50528
254206XX	TIMKE	25X42X6	2552584	CHRY	370023A	25649	C-R	415988	258511BG	Y-T	352541
254208XX	TIMKE	25X42X8	255267R91	IH	415034!	25650	GARLK	417360	258511BH	EATON	455480!
25421	C-R	65X85X8V	255281C91	IH	100495	25660	C-R	415988	258511BH	Y-T	455480!
25421	C-R	710373	255281C91	IH	417349	25661	C-R	415988	258511BJ	Y-T	415371
254210XX	TIMKE	25X42X10	255282C91	IH	100495	2566OS	JN-MN	472157!	258511BL	EATON	415074
25422	C-R	226520	255282C91	IH	417349	2566OS	JN-MN	472157	258511BL	Y-T	415074
25422	C-R	65X85X10!	25531	US-EL	473214!	256725R91	IH	470530!	258511BM	EATON	415938
25424	C-R	710373	25534760	GMC	320691	256726R91	IH	412920!	258511BM	Y-T	415938
254241R92	IH	473205!	25544	BOSTN	471224!	2567RC	SUL	471466!	258511BN	EATON	473231!
25425	C-R	65X88X10	25548	LAU	471267!	25680	GARLK	4716107!	258511BN	Y-T	473231!
25425	C-R	65X88X8!	255502	HYST	473228!	2569	C-R	350435*	258511BR	Y-T	415556!
25427	C-R	65X90X10V	25560	C-R	413479	256909	ALLCH	473215* =	258511BR	Y-T	472157
254270	NATL	254270	25561	C-R	413479	256938R91	IH	210914	258511BT	EATON	473237!
254270	TIMKE	254270	25569	C-R	413479	25699	C-R	415988*	258511BT	Y-T	473237!
25427F	DIA	6597S	25570	C-R	415988	256A20006.25	TROS	472082	258511BV	EATON	415074
25428	C-R	226530	25576	C-R	415302	256A20008	TROS	472082	258511BV	Y-T	455480!
25428	C-R	65X90X10!	25577	C-R	415302	256A20087	TROS	9599S	258511BY	EATON	417621!
254287	TIMKE	254287	25587	C-R	415302	256B20007.5	TROS	472082	258511BY	Y-T	417621!
25429	C-R	226530	25589	C-R	415449!	256D15206	TROS	473450!	258511C	WALKE	416339
25429	C-R	65X90X10!	2559054	CHRY	370001A	256E14808	TROS	471141	258511C	WALKE	455031!
2542OS	JN-MN	455480!*	2559054	CHRY	380001A	256R	TIMKE	256PKG	258511C	Y-T	416339
25430	C-R	226530	2559055	CHRY	370023A	2570	C-R	350435*	258511C	Y-T	455031!
25430	C-R	65X90X10!	2559304	CHRY	370001A	2570T2	WHITE	471538!	258511CC	WALKE	417366!
25430	C-R	65X90X7*	2559304	CHRY	380001A	25710	C-R	9943	258511CC	Y-T	417366!
25431	C-R	65X90X10V	2559685	CHRY	370023A	25710	GARLK	417361	258511D	WALKE	470059
25433	C-R	65X88X10	2559689	CHRY	370001A	25712	C-R	417481	258511D	WALKE	470380!
25434	C-R	226530*	2559689	CHRY	380001A	25713	C-R	417481	258511D	Y-T	470059
25434	C-R	65X90X10!*	255R	TIMKE	255PKG	25714	C-R	415244!*	258511D	Y-T	470380!
25435	C-R	65X95X8	2560	C-R	240435	25720804	TROS	42101S	258511DD	WALKE	417567
25436	C-R	65X95X7	2561031	CHRY	370023A	257209R91	IH	471564	258511DD	Y-T	417567
25436	C-R	65X95X8*	256116	C-R	410190	25721	C-R	417481	258511E	WALKE	451469
2543OS	JN-MN	417504*	256118	C-R	450143	257215R91	IH	471766!	258511E	Y-T	451469
25440	C-R	65X100X10	256124	C-R	472193!	257304R91	IH	471684!	258511EE	WALKE	473467!
25440	C-R	65X100X7	256124M1	C-R	472193!	257310R91	IH	470625!	258511EE	Y-T	473467!
25441	C-R	65X100X10V	25614007.5	TROS	473444	25745	C-R	455280	258511F	WALKE	415645!
25442	C-R	65X100X10!	25614407.5	TROS	473446	25747	C-R	455280	258511F	WALKE	455104
25443	C-R	65X100X10!*	25614804	TROS	471141!	25748	C-R	455280	258511FF	WALKE	470950!
25446	C-R	65X100X10V	25614807.5	TROS	471141!	25750	C-R	455280*	258511FF	WALKE	6241S
25450	C-R	65X105X8*	25614808	TROS	471141!	25755	C-R	455280	258511FF	Y-T	470950!
25450	GARLK	417359	25615208	TROS	473450	257739R91	IH	481073	258511FF	Y-T	6241S
254508XX	TIMKE	25X45X8	25615604	TROS	473238!	25784	ALLCH	415041	258511G	WALKE	474281!
25455	C-R	65X110X8*	25615607.5	TROS	473238	25790301	ALLCH	471267!	258511G	Y-T	474281!
254607XX	TIMKE	25X46X7	25615608	TROS	473238!	257920R91	IH	415034!	258511GG	WALKE	416444
254632	SPICE	471272!	25615608.5	TROS	2689S	257970R91	IH	415034!	258511H	WALKE	417357
2546357	CLARK	415425	25616007.5	TROS	472144!	2580	C-R	240435*	258511H	WALKE	455192!
254635C91	IH	473231!	25617	VICK	472015!	258019	RELEE	417556	258511H	Y-T	417357
25465	C-R	65X120X8	256192	BRCWY	472397!	25809D	IH	473427	258511H	Y-T	455192!
254662C91	IH	473231!	256199	BRCWY	415449!	258120	HYST	7512SSO	258511HH	WALKE	417351!
254670	ALLCH	471787!	2562	C-R	50514	258121C91	IH	415035	258511HH	Y-T	417351!
254707XX	TIMKE	25X47X7	25620	C-R	415302	25814808	TROS	471141!	258511JJ	EATON	415351!
254808XX	TIMKE	25X48X8	25620	GARLK	417254	25850	GARLK	417362!	258511J	WALKE	415351!
254882	ALLCH	472439	25620007.5	TROS	417487	258511A	WALKE	472185!	258511J	Y-T	415351!
25488202	ALLCH	472439	25620008	TROS	472924!	258511A	Y-T	472185!	258511JJ	WALKE	473242
254883	ALLCH	416404!	25620408	TROS	451948	258511AA	WALKE	413469!	258511JJ	Y-T	473242
25492	LAU	470954!	2562047	CHRY	HU009A	258511AB	WALKE	417501	258511K	WALKE	411376!
2549RC	SUL	417513	25620804	TROS	40566S	258511AB	Y-T	417501	258511K	Y-T	411376!
254A14407.5	TROS	470596	25620805	TROS	470898!	258511AC	WALKE	415991	258511KK	WALKE	471413!
254R	TIMKE	254PKG	25620806C	TROS	470898!	258511AC	WALKE	455146!	258511KK	Y-T	471413!
2550	C-R	240435	25620807	TROS	470898	258511AD	Y-T	473010!	258511L	WALKE	472572!
2550106	CHRY	370001A	25620807.5	TROS	470898	258511AH	Y-T	473179!	258511L	Y-T	472572!
255010XX	TIMKE	25X50X10	25620810	TROS	470898	258511AK	EATON	471103!	258511LL	WALKE	474264
25514	C-R	65X80X8V	25620811	TROS	470898	258511AK	WALKE	471103!	258511LL	Y-T	474264
25515	C-R	5123	256210A	HARWA	25X62X10	258511AK	Y-T	471103!	258511M	WALKE	471224!
25518	C-R	226510	256210XX	TIMKE	25X62X10	258511AM	Y-T	470625!	258511M	Y-T	471224!
25519058	GMC	473241	25625	C-R	415302	258511AO	Y-T	470898	258511MM	WALKE	473245!
2551RC	SUL	415988	256258	BRCWY	473215!	258511AQ	Y-T	415551	258511NN	WALKE	417181!
255207XX	TIMKE	25X52X7	256273	BRCWY	450593!	258511AR	Y-T	476838!	258511N	Y-T	417181!
255208XX	TIMKE	25X52X8	25630	C-R	455311	258511AW	Y-T	455134!	258511NN	EATON	415991
255210XX	TIMKE	25X52X10	256302SP	TRSCM	5123	258511B	WALKE	410102	258511NN	EATON	455146!
25522192	GM	427RR	256345TA	TRSCM	413479	258511B	Y-T	410102	258511NN	WALKE	415991

! Industrial Size/Type * Minor Width Difference = Call 1-800-480-1212 for price and delivery.

NUMERICAL

Zero Duplication or Recommended Industrial		Zero Duplication or Recommended Industrial		Zero Duplication or Recommended Industrial		Zero Duplication or Recommended Industrial					
Mfr. No.	Name	Mfr. No.	Name	Mfr. No.	Name	Mfr. No.	Name				
258511NN	WALKE	455146!	25981-82300	SUZUK	710116	26001-7090	GARLK	442110=	26137	UNIVE	471231!
258511O	WALKE	415449!	259854R91	IH	415449!	26001-7093	GARLK	310841	26138	C-R	412871!
258511O	Y-T	415449!	259895R92	IH	415072	26001-8000	GARLK	7014S	26139	C-R	412871!
258511P	WALKE	416865!	25990	C-R	712598	260017023	GARLK	471466	26141	C-R	410708*
258511PP	WALKE	473367	259960	ALLCH	6324S=	26002612	GMC	7013S	26142	C-R	413248
258511PP	WALKE	473367!	25996D	IH	415025	26004811	GMC	2286	26144	C-R	413248*
258511PP	Y-T	450065	259R	TIMKE	259PKG	2600888	CHRYS	473214!	26146	C-R	410708
258511Q	WALKE	416888!	25CJ1-1	BR-WN	473228	26009	LAU	471255!	26147	C-R	410708*
258511QQ	WALKE	473232	25FTD1	BR-WN	450639	26009831	GMC	7013S	26148	C-R	413248
258511R	WALKE	415196!	25M-1	BR-WN	471766!	26010792	GMC	710166	26149	C-R	410708
258511R	Y-T	415196!	25W1	BR-WN	471766!	2601099	CLARK	9613S	26150	C-R	413248
258511R91	IH	410708	25X35X7	NATL	222510	260110	CLARK	450129	26150	MICH	474253
258511RR	WALKE	472397!	25X35X7SC	TRSCM	25X35X7!	260110	CLARK	472826!	26150	UNIVE	474253!
258511RR	Y-T	472397!	25X35X7TC	TRSCM	25X35X7!	26011061	GMC	4795V	26152	C-R	413248
258511S	WALKE	417316!	25X36X7ASN(32)	ISP	25X36X7!	26011597	GMC	3543	26153	C-R	413248
258511S	Y-T	417316!	25X36X8SC	TRSCM	25X36X8	260135R91	IH	470059	26154	C-R	410708
258511SS	WALKE	55238	25X36X8TC	TRSCM	25X36X8	260135R91	IH	470380!	26156	UNIVE	470515
258511SS	Y-T	55238	25X37X7SC	TRSCM	25X37X7	26018700	GMC	4795V	261576C91	IH	40566S
258511T	WALKE	471750!	25X37X7TC	TRSCM	25X37X7	26025152	GMC	221925	26162	MICH	471645
258511T	Y-T	471750!	25X38X7SC	TRSCM	25X38X7!	26025959	GMC	7013S	26162	UNIVE	471645
258511TT	WALKE	470682	25X38X7TC	TRSCM	25X38X7!	26025977	GMC	7013S	26163	C-R	450412*
258511U	WALKE	473464!	25X40X7SC	TRSCM	25X40X7	26026792	GMC	8610	26165	C-R	450412
258511U	WALKE	473464	25X40X7TC	TRSCM	25X40X7	26026973	GMC	7013S	26167	C-R	450412
258511U	Y-T	473464	25X40X8SB	TRSCM	25X40X7	26029137	GMC	710166	26168	C-R	450412
258511U	Y-T	473464!	25X42X10SC	TRSCM	25X42X10	26029139	GMC	8660S	26169	C-R	43077S
258511UU	WALKE	471760	25X42X10TC	TRSCM	25X42X10	26030	GARLK	417365	261733	SPERY	471765!
258511UU	Y-T	471760	25X42X6AN	ISP	25X42X6*	26031569	GMC	710101	26175	C-R	415483
258511V	WALKE	471750!	25X42X8SC	TRSCM	25X42X8	26033578	GMC	2043	26175	MICH	471686
258511V	Y-T	471750!	25X42X8TC	TRSCM	25X42X8	26037278	GMC	7013S	26175	UNIVE	471686
258511VV	WALKE	473313	25X45X8SC	TRSCM	25X45X8	26037309	GMC	4762N	26176	C-R	415483
258511VV	Y-T	473313	25X45X8TC	TRSCM	25X45X8	2603865	TREME	3638	26178	C-R	415483!
258511W	WALKE	415036	25X46X7SC	TRSCM	25X46X7	2603979	TREME	7692S	26179	C-R	415483!
258511WW	WALKE	471192	25X46X7TC	TRSCM	25X46X7	26041M	DIA	411500	26180	C-R	415483!
258511WW	Y-T	471192	25X47X7SC	TRSCM	25X47X7	26042234	GMC	7013S	26182	C-R	415483
258511X	WALKE	471747!	25X47X7TC	TRSCM	25X47X7	26043	MINNM	473231	26182	UNIVE	473412
258511XX	WALKE	473214!	25X50X10SC	TRSCM	25X50X10	26043126	GMC	7013S	26183	C-R	415483!
258511XX	Y-T	473214!	25X50X10TC	TRSCM	25X50X10	2604491	FORD	4127*	26183	MICH	473412
258511Y	WALKE	473234	25X50X8AS	ISP	25X50X8	26047378	GMC	8835S	26184	C-R	415483!
258511Y	Y-T	473234	25X52X10SC	TRSCM	25X52X10	26050	GARLK	415072	26185	C-R	415483
258511YY	WALKE	473215!	25X52X10TC	TRSCM	25X52X10	26057167	GMC	3747	26186	C-R	415483
258511YY	Y-T	473010	25X52X7SC	TRSCM	25X52X7!	26057638	GMC	PSK-1	26186	C-R	712511
258511Z	WALKE	470088	25X52X7SG	TRSCM	25X52X7!	2605RC	SUL	417211!	26186	HYST	471820
258511Z	Y-T	470088	25X52X7TC	TRSCM	25X52X7!	2606104	TREME	4528N	26188	C-R	415483
258511ZZ	WALKE	471424!	25X52X8SC	TRSCM	25X52X8	26064028	GMC	710506	26189	C-R	415483!
258511ZZ	Y-T	471424!	25X52X8TC	TRSCM	25X52X8	26064029	GMC	710507	26190	C-R	415483*
25890	GARLK	417363	25X62X10	FORSH	25X62X10	26064030	GMC	710508	26191	C-R	415483
25897	WHITE	473215!	25X62X10	SIMRT	25X62X10	260666	HYST	416892!	26193	C-R	417079
258R	TIMKE	258PKG	25X62X10AS	ISP	222580	2607380	CLARK	4144V*=	26193-0291	GARLK	471649!
258T2	WHITE	415449!	25X62X10SC	TRSCM	25X62X10	2607RC	SUL	471649!	26193-0541	GARLK	471192
25907C	DIA	417134	25X62X10TC	TRSCM	25X62X10	260R	TIMKE	260PKG	26193-0714	GARLK	473229
25909	STAR	471737	25X62X7AS	ISP	25X62X7	261-A5291	BENDI	471267!	26193-13	GARLK	330385!
25910	GARLK	416666	26-68493	MERCM	471272	261-A5292	BENDI	471564	26193-1329	GARLK	472015!
25914613.5	TROS	6098=	26-8272	B-L-H	415991	26108	C-R	451143	26193-1482	GARLK	471138!
259147	ACF	410496!	26-8272	B-L-H	455146!	26110	C-R	451143	26193-3130	GARLK	415938
2592	C-R	240435*	26-97530	MERCM	471570	2611035	WOOL	417474	26193-4701	GARLK	472954
259220	RELEE	471567!	260004R91	IH	470354	261122	C-R	473235!*	26193-5085	GARLK	481537
25925	GARLK	417364	26001-5239	GARLK	471413	26118	C-R	412871!	26193-51	GARLK	471526!
25930	C-R	5957S	26001-6069	GARLK	8792S	26120	C-R	412871!	26193-6099	GARLK	481397
259323C91	IH	42101S	26001-6133	GARLK	254287	26121	C-R	412871!	26193-6103	GARLK	471529
25935	C-R	5957S	26001-6284	GARLK	341022	2612252	ALLCH	471737	26193-6113	GARLK	1049
2594	C-R	350435	26001-6304	GARLK	310841	26123	C-R	412871!	26193-6156	GARLK	471270!
259407PTBJ	TRSCM	712598	26001-7007	GARLK	240470	26124	C-R	412871!	26193-6169	GARLK	471652
25950	C-R	450725N=	26001-7011	GARLK	342805	26126	C-R	412871!	26193-6186	GARLK	7412S
25951	C-R	411330!	26001-7012	GARLK	342805	26128	C-R	412871*	26193-7482	GARLK	455583N!
25956	C-R	411330!	26001-7013	GARLK	8792S	26128	C-R	412871	26193-7501	GARLK	330699!
25960	C-R	411330!	26001-7020	GARLK	340387	26130	C-R	412871!	26193-7504	GARLK	472705!
25965	C-R	226610	26001-7021	GARLK	340724!	2613075	DANA	6936S	26193-7510	GARLK	472311!
25966	C-R	411330!	26001-7024	GARLK	351487	2613128	DANA	471344	26193-7512	GARLK	1037
25968	C-R	710092	26001-7033	GARLK	470954!	26132	C-R	412871!	26193-7517	GARLK	481163!
25970	C-R	411330!	26001-7034	GARLK	471554	261336	SPERY	472164!	26193-7518	GARLK	471766!
25978404	ALLCH	417349	26001-7055	GARLK	471689	26134	C-R	412871!	26193-7520	GARLK	340853
259805	HYST	J1117	26001-7080	GARLK	340400	26137	MICH	471231!	26193-7521	GARLK	472354!

! Industrial Size/Type * Minor Width Difference = Call 1-800-480-1212 for price and delivery.

Zero Duplication or Recommended		Zero Duplication or Recommended		Zero Duplication or Recommended		Zero Duplication or Recommended	
Mfr. No.	Name	Mfr. No.	Name	Mfr. No.	Name	Mfr. No.	Name
26193-7534	GARLK	2620331	ACDEL	2620409	ACDEL	26244	C-R
26193-8356	GARLK	2620332	ACDEL	2620410	ACDEL	26245	C-R
26193-88	GARLK	2620333	ACDEL	2620411	ACDEL	26249R91	IH
26193-8949	GARLK	2620334	ACDEL	2620412	ACDEL	2624RC	SUL
26193-8952	GARLK	2620335	ACDEL	2620465	MERCM	2625431	MERCM
26193-9489	GARLK	2620336	ACDEL	26205	C-R	26255	C-R
26193-9490	GARLK	2620337	ACDEL	2620513	MERCM	2625776	MERCM
26193-9675	GARLK	2620338	ACDEL	2620530	MERCM	2625837	MERCM
26193-9879	GARLK	2620339	ACDEL	26206	C-R	26260	C-R
26193-9971	GARLK	2620340	ACDEL	26207	C-R	262611	WALKE
26193-9975	GARLK	2620343	ACDEL	26208	C-R	2626209	MERCM
26193-9991	GARLK	2620344	ACDEL	26208	LAU	2626226	MERCM
26193-9992	GARLK	2620345	ACDEL	262088	ALLCH	26265	C-R
261937488	GARLK	2620346	ACDEL	26208M	DIA	26266	C-R
26194	C-R	2620348	ACDEL	26209	C-R	2626782	MERCM
26195	C-R	2620349	ACDEL	26209	C-R	26272	C-R
261A5293	BENDI	2620350	ACDEL	2620948	MERCM	26275	C-R
261D4	WHITE	2620351	ACDEL	26211	C-R	26276	C-R
261R	TIMKE	2620352	ACDEL	262112	C-R	2627OS	JN-MN
2620068	MERCM	2620353	ACDEL	262114	C-R	2628	TIMKE
2620070	MERCM	2620354	ACDEL	262118	C-R	26283	C-R
26202	C-R	2620355	ACDEL	262118	GR-DV	26283	C-R
2620250	MERCM	2620358	ACDEL	262119	C-R	26283	VICK
2620256	ACDEL	2620359	ACDEL	262119	CLARK	26284	C-R
2620280	ACDEL	2620360	ACDEL	262120	C-R	26284C91	IH
2620281	ACDEL	2620361	ACDEL	262120	CLARK	26286	C-R
2620282	ACDEL	2620362	ACDEL	262120M1	C-R	2628643	MERCM
2620283	ACDEL	2620363	ACDEL	262122	C-R	2628HCR	SPG
2620284	ACDEL	2620364	ACDEL	262123	C-R	2629	CALSO
2620285	ACDEL	2620366	ACDEL	262123	MINMA	26292	C-R
2620286	ACDEL	2620367	ACDEL	262124	C-R	26293	C-R
2620287	ACDEL	2620368	ACDEL	262124	CLARK	26294	C-R
2620288	ACDEL	2620369	ACDEL	262124	GR-DV	26297	C-R
2620289	ACDEL	2620370	ACDEL	262124K	BENDI	26298	C-R
2620290	ACDEL	2620371	ACDEL	262124M1	C-R	262997	ALLCH
2620292	ACDEL	2620372	ACDEL	262125	C-R	262A15204	TROS
2620293	ACDEL	2620373	ACDEL	262126	C-R	262A15604	TROS
2620294	ACDEL	2620374	ACDEL	262127	C-R	262A20005	TROS
2620294A	GMC	2620375	ACDEL	262128	C-R	262R	TIMKE
2620295	ACDEL	2620376	ACDEL	26213	C-R	262W120	C-R
2620297	ACDEL	2620377	ACDEL	262130	C-R	262W120-M1	C-R
2620298	ACDEL	2620378	ACDEL	26215	C-R	262W124	C-R
2620299	ACDEL	2620379	ACDEL	262153	ACF	262W124-M1	C-R
26203	C-R	2620380	ACDEL	26216	C-R	26302	C-R
2620300	ACDEL	2620381	ACDEL	26216	JN SON	26303	VICK
2620301	ACDEL	2620382	ACDEL	2621642	MERCM	26305	C-R
2620302	ACDEL	2620383	ACDEL	2621670	MERCM	26306	C-R
2620304	ACDEL	2620384	ACDEL	26217	JN SON	26310	C-R
2620305	ACDEL	2620385	ACDEL	2621740	MERCM	26310	HYST
2620306	ACDEL	2620386	ACDEL	2621757	MERCM	263122	C-R
2620307	ACDEL	2620387	ACDEL	2621970	MERCM	263128	C-R
2620308	ACDEL	2620388	ACDEL	2622	C-R	26313	C-R
2620309	ACDEL	2620389	ACDEL	26220	C-R	26314	C-R
2620310	ACDEL	2620390	ACDEL	26220008	TROS	263148	GMC
2620311	ACDEL	2620391	ACDEL	26220F	DIA	263148	ROSS
2620312	ACDEL	2620392	ACDEL	26221	C-R	2632	DURA
2620313	ACDEL	2620393	ACDEL	26223	C-R	26324SA	TRSCM
2620314	ACDEL	2620394	ACDEL	26226402	ALLCH	2632511	MERCM
2620315	ACDEL	2620396	ACDEL	26227	C-R	26328	C-R
2620316	ACDEL	2620397	ACDEL	2622710A	ACDEL	26328	C-R
2620317	ACDEL	2620398	ACDEL	2622711A	ACDEL	2632D	GOODM
2620318	ACDEL	2620399	ACDEL	2622712A	ACDEL	2632D	GOODM
2620319	ACDEL	26204	C-R	26229	C-R	26330	C-R
2620320	ACDEL	2620400	ACDEL	2623001	FMC	26331	C-R
2620321	ACDEL	2620401	ACDEL	2623028	FMC	26334TA	TRSCM
2620322	ACDEL	2620402	ACDEL	2623300	MERCM	263448	JEFF
2620323	ACDEL	2620403	ACDEL	2623517	MERCM	263463	GMC
2620326	ACDEL	2620404	ACDEL	26237	C-R	2634D	GOODM
2620327	ACDEL	2620405	ACDEL	26238	C-R	2634F	GOODM
2620328	ACDEL	2620406	ACDEL	26239	C-R	26351	WHITE
2620329	ACDEL	2620407	ACDEL	26242	C-R	26352	C-R
2620330	ACDEL	2620408	ACDEL	26243	C-R	26353	C-R
2620331	ACDEL	2620332	ACDEL	2620409	ACDEL	26244	C-R
2620332	ACDEL	2620333	ACDEL	2620410	ACDEL	26245	C-R
2620333	ACDEL	2620334	ACDEL	2620411	ACDEL	26249R91	IH
2620334	ACDEL	2620335	ACDEL	2620412	ACDEL	2624RC	SUL
2620335	ACDEL	2620336	ACDEL	2620465	MERCM	2625431	MERCM
2620336	ACDEL	2620337	ACDEL	26205	C-R	26255	C-R
2620337	ACDEL	2620338	ACDEL	2620513	MERCM	2625776	MERCM
2620338	ACDEL	2620339	ACDEL	2620530	MERCM	2625837	MERCM
2620339	ACDEL	2620340	ACDEL	26206	C-R	26260	C-R
2620340	ACDEL	2620343	ACDEL	26207	C-R	262611	WALKE
2620343	ACDEL	2620344	ACDEL	26208	C-R	2626209	MERCM
2620344	ACDEL	2620345	ACDEL	26208	LAU	2626226	MERCM
2620345	ACDEL	2620346	ACDEL	262088	ALLCH	26265	C-R
2620346	ACDEL	2620348	ACDEL	26208M	DIA	26266	C-R
2620348	ACDEL	2620349	ACDEL	26209	C-R	2626782	MERCM
2620349	ACDEL	2620350	ACDEL	26209	C-R	26272	C-R
2620350	ACDEL	2620351	ACDEL	2620948	MERCM	26275	C-R
2620351	ACDEL	2620352	ACDEL	26211	C-R	26276	C-R
2620352	ACDEL	2620353	ACDEL	262112	C-R	2627OS	JN-MN
2620353	ACDEL	2620354	ACDEL	262114	C-R	2628	TIMKE
2620354	ACDEL	2620355	ACDEL	262118	C-R	26283	C-R
2620355	ACDEL	2620358	ACDEL	262118	GR-DV	26283	C-R
2620358	ACDEL	2620359	ACDEL	262119	C-R	26283	VICK
2620359	ACDEL	2620360	ACDEL	262119	CLARK	26284	C-R
2620360	ACDEL	2620361	ACDEL	262120	C-R	26284C91	IH
2620361	ACDEL	2620362	ACDEL	262120	CLARK	26286	C-R
2620362	ACDEL	2620363	ACDEL	262120M1	C-R	2628643	MERCM
2620363	ACDEL	2620364	ACDEL	262122	C-R	2628HCR	SPG
2620364	ACDEL	2620366	ACDEL	262123	C-R	2629	CALSO
2620366	ACDEL	2620367	ACDEL	262123	MINMA	26292	C-R
2620367	ACDEL	2620368	ACDEL	262124	C-R	26293	C-R
2620368	ACDEL	2620369	ACDEL	262124	CLARK	26294	C-R
2620369	ACDEL	2620370	ACDEL	262124	GR-DV	26297	C-R
2620370	ACDEL	2620371	ACDEL	262124K	BENDI	26298	C-R
2620371	ACDEL	2620372	ACDEL	262124M1	C-R	262997	ALLCH
2620372	ACDEL	2620373	ACDEL	262125	C-R	262A15204	TROS
2620373	ACDEL	2620374	ACDEL	262126	C-R	262A15604	TROS
2620374	ACDEL	2620375	ACDEL	262127	C-R	262A20005	TROS
2620375	ACDEL	2620376	ACDEL	262128	C-R	262R	TIMKE
2620376	ACDEL	2620377	ACDEL	26213	C-R	262W120	C-R
2620377	ACDEL	2620378	ACDEL	262130	C-R	262W120-M1	C-R
2620378	ACDEL	2620379	ACDEL	26215	C-R	262W124	C-R
2620379	ACDEL	2620380	ACDEL	262153	ACF	262W124-M1	C-R
2620380	ACDEL	2620381	ACDEL	26216	C-R	26302	C-R
2620381	ACDEL	2620382	ACDEL	26216	JN SON	26303	VICK
2620382	ACDEL	2620383	ACDEL	2621642	MERCM	26305	C-R
2620383	ACDEL	2620384	ACDEL	2621670	MERCM	26306	C-R
2620384	ACDEL	2620385	ACDEL	26217	JN SON	26310	C-R
2620385	ACDEL	2620386	ACDEL	2621740	MERCM	26310	HYST
2620386	ACDEL	2620387	ACDEL	2621757	MERCM	263122	C-R
2620387	ACDEL	2620388	ACDEL	2621970	MERCM	263128	C-R
2620388	ACDEL	2620389	ACDEL	2622	C-R	26313	C-R
2620389	ACDEL	2620390	ACDEL	26220	C-R	26314	C-R
2620390	ACDEL	2620391	ACDEL	26220008	TROS	263148	GMC
2620391	ACDEL	2620392	ACDEL	26220F	DIA	263148	ROSS
2620392	ACDEL	2620393	ACDEL	26221	C-R	2632	DURA
2620393	ACDEL	2620394	ACDEL	26223	C-R	26324SA	TRSCM
2620394	ACDEL	2620396	ACDEL	26226402	ALLCH	2632511	MERCM
2620396	ACDEL	2620397	ACDEL	26227	C-R	26328	C-R
2620397	ACDEL	2620398	ACDEL	2622710A	ACDEL	26328	C-R
2620398	ACDEL	2620399	ACDEL	2622711A	ACDEL	2632D	GOODM
2620399	ACDEL	26204	C-R	2622712A	ACDEL	2632D	GOODM
26204	C-R	2620400	ACDEL	26229	C-R	26330	C-R
2620400	ACDEL	2620401	ACDEL	2623001	FMC	26331	C-R
2620401	ACDEL	2620402	ACDEL	2623028	FMC	26334TA	TRSCM
2620402	ACDEL	2620403	ACDEL				

Zero Duplication or Recommended		Zero Duplication or Recommended		Zero Duplication or Recommended		Zero Duplication or Recommended					
Mfr. No.	Name Industrial	Mfr. No.	Name Industrial	Mfr. No.	Name Industrial	Mfr. No.	Name Industrial				
26353TB	TRSCM	415483	26450	TMTR	471554!	26650	C-R	68X90X7*	267R	TIMKE	267PKG
26354	C-R	417082	264530R91	IH	471442!	26651	C-R	68X90X10!*	26800	EUROS	229005
263544TL	TRSCM	417079	264532R91	IH	471564	26652	C-R	68X90X10V	26800	EUROS	229006
26354SA	TRSCM	415483!	264533R91	IH	471766!	26652	C-R	710440	268000	ACF	415027
26356	C-R	417082	264534R91	IH	410708	26653	C-R	68X90X10V	268112	C-R	450776!
26358	C-R	712625	26454	MALL	481537	26657	C-R	68X90X10V	268114	C-R	471862
26359	C-R	5971	26457PTB	TRSCM	9773	2666	HWY	471571	268120	C-R	481864
26360	C-R	5971	264589	HYST	417181!	26660	C-R	68X95X10	268121	C-R	450073
2636054	MERCM	471272!	26460	C-R	6592S=	26660	C-R	68X95X8*	268122	ALLCH	200939* =
26361	C-R	416278	264633R91	IH	412473!	26661	C-R	226840	268122	C-R	474265
26363PTB	TRSCM	415458	264634R91	IH	473447	266638	CLIMX	471254	268122	GR-DV	474265
26363TB	TRSCM	415458	26467	LAU	471466!	266674R91	IH	415449!	268122M1	BUTBN	474265
26364SA	TRSCM	415458	264674R91	IH	473367!	266675R91	IH	416288!	268122M1	C-R	474265
26364TA	TRSCM	415458	264674R91	IH	473367	266676R91	IH	415034!	268123	C-R	50075=
26368	C-R	418027!	264693R91	IH	473447	266677R91	IH	473245!	268124	C-R	470334!
2636D	GOODM	418028	264694R91	IH	473367!	266698	ACF	473231!	268124M1	C-R	470334!
2636D	GOODM	455137!	264694R91	IH	473367	26670	C-R	68X100X13	268125	C-R	450269
263707XX	TIMKE	26X37X7	264695R91	IH	415379	266726R91	IH	416163	268126	C-R	471866!
26373	C-R	9773	264696R91	IH	417211!	266727R91	IH	417539!	268128	C-R	471868
26373TA	TRSCM	417343!	264697R91	IH	412473!	266728	HYST	200912=	268130	C-R	473459!
26374TA	TRSCM	410708	264699R91	IH	415437	26673	C-R	68X100X10	268130	C-R	473459
26378	C-R	9773	264700R91	IH	210914	266733R91	IH	210914	268130M1	C-R	473459!
263805XX	TIMKE	26X38X5	264701R91	IH	415449!	2667346	FMC	471192	268130M1	C-R	473459
2638105	MERCM	470625!	264707XX	TIMKE	26X47X7	2667346	PEERC	471192	268131	C-R	450472!
263821R91	IH	472439	264745R91	IH	210945	266736R91	IH	470712!	2682	C-R	471870!
2638D	GOODM	416865!	26480	C-R	6592S=	266737R91	IH	476470!	268419	GMC	471763
263922R91	IH	471413	264807XX	TIMKE	26X48X7	266737R91	IH	476470	268440	GMC	472179
26395	VICK	471466!	26490	LAU	470328	266784C91	IH	472311!	268465	GMC	450307
263R	TIMKE	263PKG	26490	LAU	481213!	2667871	FMC	474255	26850F	DIA	415988
264-A4011	BENDI	415072	264A-401	ROCKW	415072	2667874	FMC	450090	268542	GMC	417316!
264007XX	TIMKE	26X40X7	264R	TIMKE	264PKG	2667874	FORD	370047A	26860	C-R	455151
26402	US-EL	415449!	26515	STAR	7186S	2667874	PEERC	450090	268630022	GA-WO	240119
26409	US-EL	474264	265208XX	TIMKE	26X52X8	26683	C-R	68X100X13!	268630058	GA-WO	340817
2640D	GOODM	415023	265283	GMC	474278!	26695	C-R	710275	268630061	GA-WO	476838!
2640OS	JN-MN	416404!*	26542D	IH	470950!	2669OS	JN-MN	415327*	268630090	GA-WO	451857
26410	US-EL	417171!	26542D	IH	6241S	2669S	SPG	2669	268630190	GA-WO	473463
26415	EATON	472015!	2654799	MERCM	17760	266R	TIMKE	266PKG	268630312	GA-WO	455655!
264179C91	IH	470530	26549M	DIA	470530!	267022R91	IH	471733	268630313	GA-WO	415458!
264183	GMC	471224!	2655	TIMKE	2655	267057	JEFF	473225!	268630331	GA-WO	416664!
2641OS	JN-MN	415458!	2655F	IH	473213!	267059	JEFF	417487	268630373	GA-WO	417349
264207XX	TIMKE	26X42X7	265659	HYST	JV1304	2671167	PEERC	471737=	268630400	GA-WO	417351!
264210XX	TIMKE	26X42X10	26570D	IH	415035!	2671168	FMC	472258!	268630481	GA-WO	415379
2642OS	JN-MN	417621!	26570D	IH	415035	2671168	PEERC	472258=	268630487	GA-WO	415437
2643464	CHRY	9342S	2658	TIMKE	2658	26730	C-R	6532S=	268630507	GA-WO	416345!
264356	ALLCH	471442!	2658111	MERCM	470390	267371	HYST	473232!	268630509	GA-WO	415697!
264381	RCA	350156	265897	AUTOZ	TCS45961	2673838	MERCM	470328	268630509	GA-WO	455547
264381	RCA	473096	265908	AUTOZ	BS40182	2673838	MERCM	481213!	268630515	GA-WO	415035!
264398	RCA	6863S!	2659093	FMC	240736	2674	NATL	370054A	268630515	GA-WO	415035!
2643R	SPG	2643N=	2659093	PEERC	240736	2674	TIMKE	2674	268630595	GA-WO	415351!
26444	HYST	412119!	2659757	CHRY	417262!	26745	C-R	6532S=	268630621	GA-WO	415371
26448-0114	GARLK	471553!	2659993	FMC	470806	26747	C-R	710091	268630643	GA-WO	416154!
26448-0542	GARLK	471192	2659993	PEERC	470806	26748	C-R	68X88X8!	268630673	GA-WO	415725!
26448-0550	GARLK	470950!	265R	TIMKE	265PKG	26748	C-R	710334	268630691	GA-WO	417541
26448-0550	GARLK	6241S	266124	C-R	470334!	26749	C-R	710334	268630742	GA-WO	415610
26448-0648	GARLK	470380!	2661738	FMC	450604	26752	C-R	455434	268630747	GA-WO	455576!
26448-0837	GARLK	473234!	2661RC	SUL	471689!	267538	HYST	415447	268630748	GA-WO	417362!
26448-1474	GARLK	471272!	2662	C-R	471870!	267583	HYST	415447	268630750	GA-WO	416666
26448-2120	GARLK	417344!	26620	C-R	7780	26760	C-R	455151	268630815	GA-WO	415074
26448-6231	GARLK	473231!	266218R91	IH	473405	26761	C-R	455151*	268630901	GA-WO	416395=
26448-6252	GARLK	472164!	26625	C-R	710234	267616R91	IH	417355!	268630915	GA-WO	415551
26448-6436	GARLK	476820	2662818	MERCM	473230	26763	C-R	410987!	268630948	GA-WO	417600
26448-6870	GARLK	455134!	2662LPD	JN-MN	416107!	26769C	DIA	473231!	268630970	GA-WO	415128
26448-7033	GARLK	470954!	2662OS	JN-MN	416107!	26773	AMC	471570!	268632072	GA-WO	J1127
26448-7090	GARLK	471271!	2662OS	JN-MN	455073	2677634	MERCM	471570!	268695	IH	473467!
26448-7256	GARLK	472446	26630	C-R	68X85X8	267807	ALLCH	J1110=	268695R91	IH	473467!
26448-7295	GARLK	416127	26640	C-R	68X88X8!	26784	JNSON	473238!	268697R91	IH	470530!
26448-9508	GARLK	471466!	26640	C-R	710446	26784C	DIA	410987!	268698R91	IH	415995!
26448-9509	GARLK	471264!	26640	HYST	450143	267868	SPERY	340930	268698R91	IH	415995!
26448-9994	GARLK	471689!	26648	C-R	68X90X10!	26790	EUROS	227550	268699R91	IH	412920!
26449	TMTR	473232!	2665	HWY	471571	26790	EUROS	75X100X12!	268721	GMC	472179
26449	VICK	417621!	2665	NATL	224820	267981	GMC	470059	26875	C-R	455151
26450	C-R	6846S=	26650	C-R	68X90X10	267981	GMC	470380!	26877	C-R	486857

! Industrial Size/Type * Minor Width Difference = Call 1-800-480-1212 for price and delivery.

Zero Duplication or Recommended		Zero Duplication or Recommended		Zero Duplication or Recommended		Zero Duplication or Recommended	
Mfr. No.	Name	Industrial	Mfr. No.	Name	Industrial	Mfr. No.	Name
2688	HWY	450033	270380C91	IH	416921!	27204	BOSTN
268843	GMC	470590	2704638	SPICE	471766!	2720401	EIMCO
26889	LAU	481443!	2704S	SPG	2704=	2720403	EIMCO
2689	HWY	471760	27063-0213	GARLK	471267!	27208	BOSTN
2689	NATL	2689S	27063-6100	GARLK	471760	27210	BOSTN
26890	C-R	365008	27063-6113	GARLK	1049	27210	C-R
268911	HYST	417541	27063-6169	GARLK	471652	272112	C-R
26897C	DIA	6532S=	27063-7521	GARLK	6668S	272118	C-R
26898C	DIA	6532S=	27063-9502	GARLK	6863S!	272122	C-R
26898R	DIA	415437	27063-9509	GARLK	471264!	27214	BOSTN
26898R	DIA	415437!	27063-9515	GARLK	471267!	27216	BOSTN
26899C	DIA	415060	27063-9528	GARLK	6668S	27218	BOSTN
26899C	DIA	455060	27063-9530	GARLK	472213	2722	C-R
2689BX1	SPG	2689	27074815	WHITE	370338A	27220	BOSTN
2689S	TIMKE	2689S	27075348	WHITE	386025A	27220	BOSTN
268R	TIMKE	268PKG	27076255	WHITE	370037A	27223-0215	GARLK
268W116	C-R	470487=	27076255	WHITE	370338A	27223-0287	GARLK
268W116	C-R	470487	27076258	WHITE	386025A	27223-0359	GARLK
268W116M1	C-R	470487=	27076259	WHITE	386025A	27223-0760	GARLK
268W116M1	C-R	470487	27076260	WHITE	370037A	27223-4600	GARLK
268W122	C-R	474265	27076260	WHITE	370349A	27223-5051	GARLK
268W122-M1	C-R	474265	27076261	WHITE	370037A	27223-6176	GARLK
268W124	C-R	470334!	27076261	WHITE	370349A	27223-6282	GARLK
268W124-M1	C-R	470334!	27076262	WHITE	370037A	27223-6329	GARLK
268W130	C-R	473459	27076262	WHITE	370349A	27223-6486	GARLK
268W130-M1	C-R	473459	27076274	WHITE	370349A	27223-6557	GARLK
2690	HWY	476838!	270773	ALLCH	417316!	27223-6639	GARLK
269039	ACF	473214!	2708026	GMC	370181A	27223-6738	GARLK
26904W	DIA	5957S	27089D	IH	415001!	27223-7033	GARLK
26905	C-R	455008	27093H	IH	473463	27223-7198	GARLK
2692	TIMKE	350936	270954	GMC	340413	27223-89	GARLK
26920	C-R	455008	270R	TIMKE	270PKG	27223-96	GARLK
26921	C-R	455008	2710101	EIMCO	473243	27225	C-R
269220R91	IH	472924!	27109090	WHITE	386025A	272257	ALLCH
2693	HWY	470625!	27109091	WHITE	386025A	27230	C-R
2694038	MERCM	472324!	2711035	WOOL	471270!	27233	BL-KN
269462	ACF	410694!	271116	C-R	50345=	272336	ALLCH
26950	C-R	455008	271131	C-R	450655=	272354	BL-KN
26966F	DIA	470334!	27118	C-R	450341	2723OS	JN-MN
26990K	IH	472636!	271281	SPERY	473228	27244	BOSTN
2699325	MERCM	471529	27130	JN-SON	455566	27246	BOSTN
26996	BOSTN	476820	27133	JN-SON	J1122	27248	BOSTN
2699S	SPG	2699=	271337R1	IH	415035	27250	BOSTN
269GG130	C-R	473459	2715	WOODB	472193!	27250	C-R
269GG130	C-R	473459!	27150	MICH	473414	27251	C-R
269R	TIMKE	269PKG	27150	UNIVE	473414*	27252	BOSTN
26H7693	FORD	240698	271592	ALLCH	471141!	27254	BOSTN
26X1828	GARLK	455079!	27159201	ALLCH	471141!	27254	C-R
26X37X7SC	TRSCM	26X37X7	271597R91	IH	471442!	272545	SPERY
26X37X7TC	TRSCM	26X37X7	27162	MICH	473414	27256	BOSTN
26X38X5SC	TRSCM	26X38X5!	27162	UNIVE	473414	27257	C-R
26X38X5TC	TRSCM	26X38X5!	27178	BOSTN	471466!	27258	C-R
26X40X7SC	TRSCM	26X40X7!	271797R91	IH	450269	27260	BOSTN
26X40X7TC	TRSCM	26X40X7!	271799R91	IH	450269	27260	HYST
26X40X8SB	TRSCM	471076	27180	BOSTN	471224!	27262	BOSTN
26X42X10	NATL	223606	27182	BOSTN	470954!	27264	BOSTN
26X42X10SC	TRSCM	26X42X10	27182	UNIVE	473415	27266	C-R
26X42X10TC	TRSCM	26X42X10	271821C91	IH	417555!	27268	C-R
26X42X7ASN(32)	ISP	26X42X7	27183	MICH	473415	27269	C-R
26X47X7SC	TRSCM	26X47X7	27184	BOSTN	471264!	27270	C-R
26X47X7TC	TRSCM	26X47X7	27186	BOSTN	471554!	27271	C-R
26X48X7SC	TRSCM	26X48X7!	27188	BOSTN	471652!	27276	C-R
26X48X7TC	TRSCM	26X48X7!	27192	BOSTN	471766!	27278	BOSTN
26X52X8SC	TRSCM	26X52X8	27193	JN-SON	J1126	27278	C-R
26X52X8TC	TRSCM	26X52X8	27193	US-EL	471764!	27279	C-R
27006	ALLCH	416339	27194	BOSTN	476838!	272797R91	IH
27006	ALLCH	455031!	27194	JN-SON	415379	27280	C-R
270065R91	IH	415379!	27194	JN-SON	415379!	27281	C-R
2701&1701	STEM	386025A	27196	BOSTN	6760S	27284	C-R
2701521	ALLCH	415458=	27198	BOSTN	471192	27285	C-R
270178	KOHL	472572!	271R	TIMKE	271PKG	2728OS	JN-MN
27023	FUNK	415960!	27200	BOSTN	473233!	27291	C-R
27204	BOSTN	450593!	2720401	EIMCO	472319	27292	C-R
2720401	EIMCO	472319	2720403	EIMCO	470487!	27292	C-R
2720403	EIMCO	470487!	27208	BOSTN	471870!	27293	C-R
27208	BOSTN	471870!	27210	BOSTN	470334!	27293	C-R
27210	BOSTN	470334!	27210	C-R	310841	27294	C-R
27210	C-R	310841	272112	C-R	450456!	27295	C-R
272112	C-R	450456!	272118	C-R	450803	27296	C-R
272118	C-R	450803	272122	C-R	450765!	27297	C-R
272122	C-R	450765!	27214	BOSTN	471750!	27297	C-R
27214	BOSTN	471750!	27216	BOSTN	471255!	27298	C-R
27216	BOSTN	471255!	27218	BOSTN	471276	27299	C-R
27218	BOSTN	471276	2722	C-R	474272	272A451	BENDI
2722	C-R	474272	27220	BOSTN	471549!	272R	TIMKE
27220	BOSTN	471549!	27220	BOSTN	472467	272W2	C-R
27220	BOSTN	472467	27223-0215	GARLK	471570!	27301	C-R
27223-0215	GARLK	471570!	27223-0287	GARLK	471224!	2730201	EIMCO
27223-0287	GARLK	471224!	27223-0359	GARLK	471763	27303A	EIMCO
27223-0359	GARLK	471763	27223-0760	GARLK	473231!	2730402	EIMCO
27223-0760	GARLK	473231!	27223-4600	GARLK	474256	27305	C-R
27223-4600	GARLK	474256	27223-5051	GARLK	471276	27307	KELSE
27223-5051	GARLK	471276	27223-6176	GARLK	473259	27307	KELSE
27223-6176	GARLK	473259	27223-6282	GARLK	476511=	273095R91	IH
27223-6282	GARLK	476511=	27223-6329	GARLK	476519=	27310	C-R
27223-6329	GARLK	476519=	27223-6486	GARLK	476510=	27310	C-R
27223-6486	GARLK	476510=	27223-6557	GARLK	471379	273130	C-R
27223-6557	GARLK	471379	27223-6639	GARLK	473197	27315	C-R
27223-6639	GARLK	473197	27223-6738	GARLK	472239	27316	C-R
27223-6738	GARLK	472239	27223-7033	GARLK	470954!	27316	C-R
27223-7033	GARLK	470954!	27223-7198	GARLK	472237=	27324	C-R
27223-7198	GARLK	472237=	27223-89	GARLK	471264!	27326	C-R
27223-89	GARLK	471264!	27223-96	GARLK	471612	27326	C-R
27223-96	GARLK	471612	27225	C-R	710038	27327	C-R
27225	C-R	710038	272257	ALLCH	471424!*	27328	C-R
272257	ALLCH	471424!*	27230	C-R	471484	27328	C-R
27230	C-R	471484	27233	BL-KN	473215!	27330	C-R
27233	BL-KN	473215!	272336	ALLCH	471349=	27330C91	IH
272336	ALLCH	471349=	272354	BL-KN	471766!	27331	C-R
272354	BL-KN	471766!	2723OS	JN-MN	410308!	27332	C-R
2723OS	JN-MN	410308!	27244	BOSTN	471526!	27332	C-R
27244	BOSTN	471526!	27246	BOSTN	471570!	27333	C-R
27246	BOSTN	471570!	27248	BOSTN	450588!	27333	C-R
27248	BOSTN	450588!	27250	BOSTN	471649!	27334	C-R
27250	BOSTN	471649!	27250	C-R	480491	27334	C-R
27250	C-R	480491	27251	C-R	480491	27346HA	IH
27251	C-R	480491	27252	BOSTN	471818	27346HA	IH
27252	BOSTN	471818	27254	BOSTN	471141!	27346HB	IH
27254	BOSTN	471141!	27254	C-R	416664!	27346HB	IH
27254	C-R	416664!	272545	SPERY	473227!	27348	C-R
272545	SPERY	473227!	27256	BOSTN	470380!	27349	C-R
27256	BOSTN	470380!	27257	C-R	416664!	2734OS	JN-MN
27257	C-R	416664!	27258	C-R	416664!	27352VB	TRSCM
27258	C-R	416664!	27260	BOSTN	350364	273534SA	TRSCM
27260	BOSTN	350364	27260	HYST	470712!	27354	C-R
27260	HYST	470712!	27262	BOSTN	330385!	273544PTA	TRSCM
27262	BOSTN	330385!	27264	BOSTN	441130	27354SA	TRSCM
27264	BOSTN	441130	27266	C-R	45827S	273564R91	IH
27266	C-R	45827S	27268	C-R	416664!	273565R91	IH
27268	C-R	416664!	27269	C-R	416664!	273566R91	IH
27269	C-R	416664!	27270	C-R	416664!	273570R91	IH
27270	C-R	416664!	27271	C-R	45827S	273571R91	IH

Zero Duplication or Recommended Industrial		Zero Duplication or Recommended Industrial		Zero Duplication or Recommended Industrial		Zero Duplication or Recommended Industrial		
Mfr. No.	Name	Mfr. No.	Name	Mfr. No.	Name	Mfr. No.	Name	
273585R91	IH	417351!	2744 CHEL	450326	275116M1	C-R	473440!	
27359	C-R	417316!	27440	C-R	415960!	275118	C-R	473441
2735OS	JN-MN	415076*	27440	C-R	415960	27512	HARN	472179
27361	C-R	417316!	27443	C-R	415960!	275120	C-R	474274
27362	C-R	417316!	27444	C-R	415960!	275120M1	C-R	474274
27364	C-R	417316!	27447	C-R	415960!	275121	C-R	450284 =
27365	C-R	417316	27448	C-R	415960!	275121M1	C-R	450284 =
27366	C-R	417316	274484R91	IH	473228!	275122	C-R	473236!
27366	C-R	417316 =	27450	C-R	415960	275122M1	C-R	473236!
27367	C-R	417316!	274508XX	TIMKE	27X45X8	275123	C-R	50191
27368	C-R	417316!	27452	C-R	415960!	275123M1	C-R	50191
27368	C-R	417316*	27452	C-R	4564V	275124	C-R	472179
27369	C-R	417316!	27455	C-R	415960 =	275124	CABOT	472179
2736D	GOODM	417191	27455	C-R	415960	275124	GOODM	473238
2736D	GOODM	455165!	27456	C-R	415960	275124	GR-DV	472179
27370	C-R	417316!	27458	C-R	415960*	275124	HARN	472179
273701R91	IH	6863S!	27461	C-R	4564V	275124M1	C-R	472179
273707XX	TIMKE	27X37X7	274611	SPICE	472394	275124T7	C-R	472179
27371	C-R	417316!	27463	C-R	415960*	275125	C-R	450285
27372	C-R	417316!	274631	SPICE	472394	275125M1	C-R	450285
27372VHY	TRSCM	46997S	274633	SPICE	473225!	275126	C-R	473449
27374SA	TRSCM	417316	274634	SPICE	473243	275126	FAIRB	473449
27374TA	TRSCM	417316	274635	SPICE	416654!	275126M1	C-R	473449
27374TB	TRSCM	417316	274638	SPICE	471766!	275127	C-R	473452
27377	C-R	417316!	27466	C-R	415960	275127M1	C-R	473452
27379	C-R	417316!	27467	C-R	415960	275128	C-R	472572!
27383TB	TRSCM	415960	274672	DIA	472636!	275128M1	C-R	472572!
27384	C-R	46997S*	274672	WHITE	472636!	27519	CHAMP	415697!
27384SA	TRSCM	415960	27470	C-R	415960	275208XX	TIMKE	27X52X8
27384TA	TRSCM	415960!	27470	HYST	415960!	27525	C-R	55469
27384TB	TRSCM	415960	274706A	HARWA	27X47X10	27526	C-R	476574N
27385	C-R	417316!	27471	C-R	415960!	27529	C-R	476574N
27385C91	IH	415379!	27471	C-R	415960	2752M1	C-R	472492!
27387	C-R	417316!	27471	C-R	4564V	27530	C-R	55469
27388	C-R	417316!	274710A	HARWA	27X47X10	27531	HYST	471442!
27389	C-R	46997S	274710XX	TIMKE	27X47X10	27537	C-R	416706!
2738T2	WHITE	417484!	27472	C-R	415960!	27540	C-R	416706!
27394	C-R	46997S	27472	C-R	415960	27541	C-R	416706!
27395SP	TRSCM	6643S	27474	C-R	415960!	27543	C-R	416706!
27397	C-R	417316!	27475	C-R	415960	27544	C-R	416706 =
273980R91	IH	415449!	27475	C-R	415960!	27546	C-R	416706!
273981R91	IH	415034!	27476	C-R	415960!	27547	C-R	416706!
273982R91	IH	472179	27477	C-R	415960	27549	C-R	416706!
273985R91	IH	473245!	27479	C-R	415960	27550	C-R	416706!
273986R91	IH	416288!	27479	C-R	415960!	27555	C-R	416706*
273987R91	IH	473245!	27480	C-R	415960	27558	C-R	417484
273988R91	IH	416288!	27481	C-R	415960	27558	C-R	4874N
273989R91	IH	415034!	27481	C-R	415960!	275597R91	IH	473447
27399	C-R	417316!	27483	C-R	415960	27560	C-R	416706 =
273R	TIMKE	273PKG	27492	C-R	415960	275604	SPG	412473!
27401	C-R	417316!	27492	C-R	415960!	27562	C-R	416706!
274014	PEERC	473367!	274A2	C-R	472572!	27565	C-R	416706
274014	PEERC	473367	274FF126-L	C-R	473449	2756867	MERCM	17795
27402B	EIMCO	416865!	274G123	C-R	5836	27576	C-R	487678N =
27402VH	TRSCM	43086S	274G125	C-R	6781	2757682	GMC	370019A
27404PTA	TRSCM	416706	274G2	C-R	5865	27577	C-R	476281
2740601	EIMCO	416364!	274H131	C-R	450911N!	27578	C-R	486281N =
2740D	GOODM	415025	274R	TIMKE	274PKG	27580	C-R	416282
27416	C-R	417316!	274Z116	C-R	473440!	27583	KELSE	415041
27417	C-R	417316!	27501	C-R	415960*	275AW122-L	C-R	473234
274210A	HARWA	27X42X10	2750101	EIMCO	472234	275B	WHITE	6863S!
274210XX	TIMKE	27X42X10	275013	SPG	415995!	275B124	C-R	472179
27424PTA	TRSCM	416282	275013	SPG	415995!	275G120	C-R	40286
27427	WHITE	415449!	27505	C-R	415960!	275G124	C-R	40183S!
27430	C-R	2222	275067	HYST	474272	275G2	C-R	40389S
274308XX	TIMKE	27X43X8	27510	C-R	415960	275G23	C-R	41013S
27432-60B01	SUZUK	22353S	27511	C-R	415960!	275GL126	C-R	7600S
274324	VICK	35043S	275112	C-R	450463	275H125	C-R	450285
27438	C-R	370352A	275112M1	C-R	450463	275HD124	C-R	40183S!
27438	C-R	.5MR1009	275114	C-R	450808	275HD24	C-R	41013S
27438	C-R	71039S	275114M1	C-R	450808	275HM120	C-R	40286
27439	C-R	200942	275116	C-R	473440!	275N124	C-R	472179

! Industrial Size/Type * Minor Width Difference = Call 1-800-480-1212 for price and delivery.

Zero Duplication or Recommended		Zero Duplication or Recommended		Zero Duplication or Recommended		Zero Duplication or Recommended	
Mfr. No.	Name	Mfr. No.	Name	Mfr. No.	Name	Mfr. No.	Name
276W126 C-R	480281!	278123 C-R	50289	27X47X7 SIMRT	27X47X10	28175 UNIVE	470590
276W128 C-R	473179	278124 C-R	470334!	27X47X8 FORSH	27X47X10	28180 C-R	475384
276W128-M1 C-R	473179	278124 C-R	50289	27X47X8 NATL	27X47X10	28181 C-R	475384
276W128-T8 C-R	473179	278127 C-R	414045!	27X47X8 SIMRT	27X47X10	28182 UNIVE	471137
276W130 C-R	450279	278128 C-R	414045!	27X52X8A ISP	27X52X8	28183 MICH	471137
276YM128 C-R	473179	278128M1 C-R	414045!	28-P-197 SPICE	473010	28187 MICH	471730
276YM128-L C-R	473179	2781F IH	455008	28-P-211 DANA	470530=	281W450 CONE	5399
277065 KOHL	473234!	27841-63B00 SUZUK	1213N	28-P-213 SPICE	481833V	281Y1-L C-R	6855N=
27710 C-R	70X85X8	27842-63B00 SUZUK	710286	28-P-225 DANA	472258=	28200 UNIVE	470645
27714 C-R	70X85X8!	27850 C-R	417316!	28-P-228 SPICE	470442V!	2820BT SPG	2820=
277181R91 IH	441130	2785001 BR-WN	J1122	28-P-230 SPICE	472070	282131C1+300845C91 IH	5066
277219C91 IH	416364!	27852A IH	473446	28-P-236 SPICE	470774	28220 C-R	475384*
27723 C-R	1021V	27853 KELSE	40566S	28-P-261 SPICE	472015	28220 TROS	416738!
27725 C-R	227020*	27860 C-R	475384	28-P52 SPICE	471766!	28220 TROS	450096
27725 C-R	70X88X8!	278616_C92 IH	370030A	28-P56 SPICE	471529	2822V TIMKE	472012
27726 C-R	70X88X9V	27875 MALL	471649!	28-P60 SPICE	450326	28238 HYST	471649!
27727 C-R	70X88X12	27876 LAU	471539!	2800-14669STLPD JN-MN	509503=	28246 SPERY	471192
277371 NEHO	5071	278773 ACF	470530!	2800-6841STLPD JN-MN	509503=	28246 VICK	471192
277383R91 IH	471255!	27887B HYST	6127	280018 BRWCY	50075=	2825713 CHRYS	340413
27739 C-R	70X90X10!	27897 LAU	471224!	28001H IH	416654	28260 C-R	411348!
27740 C-R	227040	278K1 WHITE	474278!	28001HA IH	416654	282609 ALLCH	473424!
27740 C-R	70X90X10!*	278W124 C-R	470334!	28002669 GM	4614N	2826106 CHRYS	482163!
27740 C-R	70X90X7*	278W124 C-R	50289	28002670 GM	4614N	2826106 DOMGA	482163!
27741 C-R	70X90X10!	278W128 C-R	414045!	2800OS JN-MN	471272!	282631 VICK	471504=
27743 C-R	227040	2791 TIMKE	2791	2801-32165 GARLK	473204	2826362 CHRYS	416654
27743 C-R	70X90X10V!	2792 TIMKE	2792	280122L C-R	473235	28265 AMC	473228
277433 BUC-E	415871	27925 HYST	473463	2801692 CHRYS	9376	28266D IH	412119!
27746 C-R	70X90X10!	279343C91 IH	415449!	2801733 CHRYS	9487	2826BT SPG	2826
27746 FMC	471766!	27947 CHAMP	415483	2801733 DOMGA	9487	28270 C-R	411348!
27748 C-R	70X92X12	279491R91 IH	415379=	28032 FUNK	472179	28275 C-R	411348!
27749 C-R	227045	279492R91 IH	415379=	28033 FUNK	415449!	28276 C-R	411348!*
27750 C-R	70X92X12!	279493R91 IH	415995!	28035 C-R	455005*	28288 VICK	418028
27752 FMC	476838!	279493R92 IH	415995!	28040 C-R	455005	28288 VICK	455137!
27755 C-R	70X95X10!	279494R91 IH	415995!	28041 C-R	455005	2829960 CHRYS	456744N
27755 C-R	70X95X13!*	279495R91 IH	415449=	280423 HYST	473230!	282W18 C-R	470806
27757 C-R	70X95X10V	279496R91 IH	415449=	2805OS JN-MN	472924!	282W18-M1 C-R	470806
27759 C-R	70X95X10	2794RC SUL	470334!	280661 ACF	6644	28308 C-R	227235
27768 C-R	70X100X10	279522 HYST	470682	280689 ACF	473214!	28310 C-R	1986
27770 C-R	70X100X13	2796RX SPG	2796	2806OS JN-MN	473225!	28312 C-R	1986
277724R91 IH	473228	2796SS0 SPG	2796	2807OS JN-MN	471605*	28325 C-R	474230
277727R91 IH	450593!	279731R91 IH	471255!	2808267 CHRYS	6840S	28325 C-R	72X90X10
277728R91 IH	470334!	279750R91 IH	417344	2808268 CHRYS	6960	28328 CHAMP	471466
277729R91 IH	471785!	279751R91 IH	412473!	2808269 CHRYS	8121S	2832BH SPG	5121
27773 C-R	70X100X10V	279751R92 IH	412473!	280886C91 IH	415958!	28330 C-R	72X90X10!
277730R91 IH	415938	279752R91 IH	412473!	280886C91 IH	415958	28332 C-R	710075
277730R92 IH	415938=	279754R91 IH	473467=	28100 C-R	455005	28333R91 IH	471765!
27775 C-R	70X100X13!	279755R91 IH	412473!	28101 TROS	471316	28340 C-R	72X95X10
27783 C-R	70X105X13	27990R91 IH	455040N=	28106AS HERCU	470712	283403R91 IH	470954!
27783 C-R	70X105X7*	279987R91 IH	415437!	2811035 C-W	416239!	28341 C-R	72X95X10!
27785 C-R	70X105X10!	279988R91 IH	415458=	2811035 WOOL	416239!	283442C91 IH	417530
27785 C-R	70X105X13!*	279989R92 IH	455685N=	281139 ACF	471570!	2834BG1 SPG	4148
27785 C-R	70X105X7*	279990R91 IH	455040N=	28116 C-R	417485	2834BG1 SPG	471424
27790 C-R	70X110X10!	27AF1 BR-WN	470954!	2811RC SUL	473405	2834OS JN-MN	55611*=
27791 C-R	70X110X10!*	27KH113 MACK	417350=	28120 C-R	417485	28354 C-R	72X100X10
27792 C-R	70X110X10!*	27KH114 MACK	417484!	28124D IH	415027	28355 C-R	72X100X12
277FF124 C-R	200354*	27KH116 MACK	5578	28124D IH	415027!	28358 C-R	72X100X12!
277FF23 C-R	6590S	27R-549 HOLLE	954014T	28127D IH	415043	28363TB TRSCM	415303!
277G124 C-R	203002	27UV-0625 WHITE	471141!	28137 MICH	471267!	2836D GOODM	415991
277GR124 C-R	204002*	27X37X7SC TRSCM	27X37X7	281374TL TRSCM	455005	2836D GOODM	455146!
277GR23 C-R	6590S	27X37X7TC TRSCM	27X37X7	28140 C-R	417485	28370 C-R	72X105X10
277HDR124 C-R	204002*	27X42X10 SIMRT	27X42X10	281404SA TRSCM	475384	2837D GOODM	417196!
277HMS24-T8 C-R	5589\$	27X42X10SC TRSCM	27X42X10	28141 C-R	417485	283807XX TIMKE	28X38X7
277HMS24-T8-L C-R	5589	27X42X10TC TRSCM	27X42X10	28143 DURA	417267	283842-C91 IH	370007A
2780 C-R	7X22X7	27X42X7A ISP	27X42X7	28150 MICH	471570!	28384SP TRSCM	9864S
27802 BOSTN	476816=	27X43X8SC TRSCM	27X43X8!	28150 UNIVE	471570!*	28384TA TRSCM	417158
27802 HYST	412871!	27X43X8TC TRSCM	27X43X8!	28153D IH	416288!	28385 C-R	72X110X10
278052R91 IH	415379!	27X45X8SC TRSCM	27X45X8!	2815OS JN-MN	471567!*	2839213 WHITE	450639
278058R91 IH	474265	27X45X8TC TRSCM	27X45X8!	28160 C-R	417485*	28394 EATON	5MR1009
278059R91 IH	471684!	27X47X10 FORSH	27X47X10	28162 MICH	471646!	2839D5 DIA	417484!
278060R91 IH	411253!	27X47X10 SIMRT	27X47X10	28162 UNIVE	471646!	2839D5 WHITE	417484!
278061R91 IH	411253!	27X47X10SC TRSCM	27X47X10	28175 C-R	475384*	283G23 C-R	40627S=
278123 C-R	470334!	27X47X10TC TRSCM	27X47X10	28175 MICH	470590	284007XX TIMKE	28X40X7

! Industrial Size/Type * Minor Width Difference \$ F-M Number Is Part Of A Kit = Call 1-800-480-1212 for price and delivery.

Zero Duplication or Recommended		Zero Duplication or Recommended		Zero Duplication or Recommended		Zero Duplication or Recommended	
Mfr. No.	Name	Mfr. No.	Name	Mfr. No.	Name	Mfr. No.	Name
284008XX	TIMKE	284008XX	TIMKE	2879RX	OSHKO	2879RX	OSHKO
2840101	EIMCO	28646	C-R	287124	ALLCH	287CMM2	C-R
2840202	EIMCO	286490R91	GW	287124	C-R	287F118	C-R
28404TA	TRSCM	286490R91	IH	287124M1	C-R	287FF22	C-R
284098	ACF	28650	C-R	287126	C-R	287FF24	C-R
2840D	GOODM	28651	C-R	287126M1	C-R	287FF24-L	C-R
2840OS	JN-MN	286512R91	GW	287127	C-R	287G24	C-R
2841	FORD	286512R91	GW	287128	C-R	287G25	C-R
284112	C-R	286512R92	IH	287128K	FORD	287HA119-L	C-R
284112M1	C-R	28652	C-R	287128M1	C-R	287HM24	C-R
284120	C-R	28653	C-R	287129	BENDI	287HMS24-Y30	C-R
284122	C-R	28654	C-R	287130	C-R	287LM2	C-R
28413TA	TRSCM	28655	C-R	287130	GW	287TL124	C-R
28418	C-R	28656	C-R	287130K	IH	287W118	C-R
284208XX	TIMKE	28657	DURA	287130M1	C-R	287W118-M1	C-R
28420D	IH	28658	ROTO	287131	C-R	287W120	C-R
28420DA	IH	28660	C-R	287131M1	C-R	287W120-M1	C-R
28422	C-R	28663	C-R	28714	C-R	287W122	C-R
28422M1	C-R	28668	C-R	2872	C-R	287W122-M1	C-R
28422Q6	C-R	28669	C-R	2872	GR-DV	287W124	C-R
28424	C-R	2866D5	WHITE	28720	C-R	287W126	C-R
28425	C-R	28670	C-R	28720	C-R	287W126-M1	C-R
28426	C-R	28671	C-R	287201R91	IH	287W128	C-R
284395TA	TRSCM	28672	C-R	287201R91	IH	287W128-M1	C-R
284406XX	TIMKE	286736	ACF	28722	C-R	287W130	C-R
284508XX	TIMKE	28674	C-R	28722M1	C-R	287W130-M1	C-R
28454	EATON	28676	C-R	28724	C-R	287W2	C-R
28454SA	TRSCM	28678	C-R	28724M1	C-R	287W2-M1	C-R
28460	LAU	28680	C-R	28726	C-R	287W22	C-R
2846582	CHRY	28682	C-R	28726M1	C-R	287W22-M1	C-R
284707XX	TIMKE	28683	C-R	2872M1	C-R	287W24	C-R
2847149	CHRY	28686	C-R	2872OS	JN-MN	287W24-M1	C-R
28474	C-R	28687	C-R	28731	C-R	287W26	C-R
284808XX	TIMKE	28688	C-R	28737	C-R	287WL130	C-R
285	C-R	28689	C-R	28738	C-R	287WL2	C-R
285	C-R	28690	C-R	28739K	IH	287Y2	C-R
28503A	EIMCO	28691	C-R	28741	C-R	287YR2	C-R
285128	C-R	28693	C-R	28742	C-R	28800	C-R
28517	SPERY	28694	C-R	28742R91	IH	28805	C-R
285207XX	TIMKE	28697	C-R	287442R91	IH	28805	C-R
2852574	CHRY	286A2	C-R	28745	C-R	2881041	CHRY
2852948	CHRY	286AM2	C-R	28746	C-R	2881185	CHRY
285310-C91	IH	286AMM124	C-R	287465	SPERY	28817	C-R
285311-C91	IH	286AMM2	C-R	28749	C-R	28820	C-R
28531A	HEIL	286B124	C-R	28750	C-R	28823	C-R
28531A	HERCU	286B2	C-R	28751	C-R	28828	C-R
285333	ACF	286B24	C-R	28755	C-R	28830	C-R
285511YY	Y-T	286BM2	C-R	28756	C-R	28831	C-R
2855BJ	SPG	286C2	C-R	28758	C-R	28832	C-R
2859981	VICK	286F2	C-R	28760	C-R	28836	C-R
2859984	LAVOI	286FF24	C-R	28761	C-R	28830S	JN-MN
2859984	VICK	286FM24	C-R	28763	C-R	28841	C-R
285H24	C-R	286N24	C-R	28764	C-R	28844	C-R
2860	CALSO	286W124	C-R	28765	AMC	28848	C-R
286116	C-R	286W124-M1	C-R	287666	ACF	28849	JOHND
286124	C-R	287	C-R	2876S	SPG	28853	C-R
286124M1	C-R	28700	C-R	28770	C-R	28873	C-R
286130	C-R	28700	C-R	28771	C-R	288864R91	IH
28617	OLIVE	28701	OLIVE	28775	C-R	288864R92	IH
28624	C-R	28704	C-R	287756C91	IH	288864R93	IH
28624M1	C-R	287047R91	IH	28777	C-R	288G126	C-R
28625	ROTO	28708	C-R	28778	C-R	288GL24	C-R
286326R92	IH	28709	C-R	28780	C-R	289030R91	IH
286349R91	IH	287118	C-R	28781	C-R	289031750	GARLK
286362R91	IH	287120	C-R	28789	C-R	289067	BUC-E
286362R92	IH	287120	FAIRB	28790	C-R	289082R92	IH
286363R91	IH	287120M1	C-R	28790	C-R	289082R94	IH
286367R91	GW	287122	C-R	28792	GW	289082R95	IH
286367R91	IH	287122	FORD	28796	C-R	289083R91	IH
286367R92	IH	287122M1	C-R	28798	C-R	289083R92	IH
28646	C-R	287123	C-R	28799	C-R	289083R94	IH
		287123M1	C-R				

! Industrial Size/Type * Minor Width Difference = Call 1-800-480-1212 for price and delivery.

Zero Duplication or Recommended		Zero Duplication or Recommended		Zero Duplication or Recommended		Zero Duplication or Recommended	
Mfr. No.	Name	Mfr. No.	Name	Mfr. No.	Name	Mfr. No.	Name
289084R91 IH	415234!	28X716 AIRCO	471766!	290128 ACDEL	416273	29031 ACDEL	353141
28908H IH	5MR71	28X717 AIRCO	417316!	290129 ACDEL	416130	29031 KELSE	473239!
289128 C-R	473238	28X718 AIRCO	417171!	29013 ACDEL	2207	29033 ACDEL	3210
289198 SPERY	470380!	28X719 AIRCO	470530!	290130 ACDEL	417507	29034 ACDEL	6336S
289290 SPERY	481163!	28X72 AIRCO	471554!	290131 ACDEL	415991	29035 ACDEL	6356
2893M DIA	415991	28X721 AIRCO	455005	290132 ACDEL	4148	29035 TRANS	410308!
2893M DIA	415991!	28X724 AIRCO	471553!	290133 ACDEL	493291	290359 SPG	473448
289503R91 IH	415021	28X725 AIRCO	415449!	290134 ACDEL	3087	290381 SPG	471652
289660 ROCKW	J1120=	28X726 AIRCO	417343!	290135 ACDEL	5131	29039 ACDEL	6489
289796 HYST	J1136	28X728 AIRCO	471763	290136 ACDEL	470380	2904 ACDEL	1165
2899531 CHRYS	3095	28X729 AIRCO	471570!	290138 ACDEL	40769S	29042 ACDEL	6547
2899532 CHRY	3103!	28X73 AIRCO	473205	29014 ACDEL	2222	29044 ACDEL	6626S
289HMA24 C-R	470898!	28X730 AIRCO	470712!	290140 ACDEL	5MR71	29045 ACDEL	6638S
289HMS24 C-R	470898!	28X731 AIRCO	417490	290147 ACDEL	5M356	29045 VICK	416664!
28AC203 CONTI	470530!	28X733 AIRCO	471267!	29015 ACDEL	4250	29047 ACDEL	417134
28AK211 CONTI	476838!	28X739 AIRCO	417344!	290150 ACDEL	5M403	29048 ACDEL	6781
28P-15 SPICE	411394!	28X74 AIRCO	473467!	290158 ACDEL	5M544	29049 ACDEL	6785
28P-18 SPICE	6847S	28X740 AIRCO	471705!	29016 ACDEL	3210	2905 ACDEL	1174
28P-19 SPICE	471267!	28X75 AIRCO	472636!	290162 ACDEL	5MR1008	29050 ACDEL	6815
28P-19-3 SPICE	471267!	28X751 AIRCO	471652	290163 ACDEL	5MR1009	29051 ACDEL	6840S
28P-21 SPICE	471538!	28X76 AIRCO	417316!	290167 ACDEL	205017	29054 ACDEL	44052
28P-4 SPICE	471553!	28X79 AIRCO	412871!	290169 ACDEL	1035=	29055 ACDEL	6954S
28P101 SPICE	472258!	29 UNIVE	471103!	29017 ACDEL	5109	29056 ACDEL	44053
28P1011 SPICE	472258!	290-193 ACDEL	471271	290175 ACDEL	2551	29057 ACDEL	6960
28P125 SPICE	471224!	290-228 ACDEL	3357	290176 ACDEL	1077=	29057 TRANS	471271!
28P180 SPICE	416624=	290-257 ACDEL	4739	29018 ACDEL	5121	29058 ACDEL	6985
28P209 DANA	471538	290-257 NDEP	4739	290180 ACDEL	1012N	29058 HYST	473464
28P215 DANA	471466	290-258 ACDEL	710103	290181 ACDEL	1209	290587 SPG	453279!
28P219 DANA	473010	290-259 ACDEL	710106	290182 ACDEL	1213N	29059 ACDEL	473317
28P220 DANA	450496V	290-261 ACDEL	4175	290184 ACDEL	5119	2906 ACDEL	1183
28P222 DANA	417484	290-262 ACDEL	5682	290188 ACDEL	40389S	29060 ACDEL	7107A=
28P223 DANA	416654!	290-263 ACDEL	4795V	29019 ACDEL	5123	29062 ACDEL	7381S
28P227 DANA	470553V	290-268 ACDEL	4740	290190 ACDEL	43290S	29063 ACDEL	7537S
28P229 DANA	471291V	290-269 ACDEL	4739	290191 ACDEL	352637	29064 ACDEL	7600S
28P231 DANA	471835V	290-70 ACDEL	7934S	290192 ACDEL	442874	29065 ACDEL	7607
28P232 DANA	471538V	290-81 ACDEL	8974S	290194 ACDEL	472394	290653R91 IH	471689!
28P233 DANA	471763	290-82 ACDEL	8975S	290195 ACDEL	416273	29066 ACDEL	5113
28P236 DANA	470774	290-83 ACDEL	8976S	290196 ACDEL	472213	29066 ACDEL	7721
28P237 DANA	415983V	290-89 ACDEL	9406S	290197 ACDEL	482126	29066 KELSE	6222
28P3 SPICE	471787!	2900 GM	2900	290199 ACDEL	5246	29067 ACDEL	7780
28P37 SPICE	472164!	2900SET GM	2900	2902 ACDEL	224045	29068 ACDEL	472164
28P371 SPICE	472164!	2901 ACDEL	471192	29020 ACDEL	4148	29069 ACDEL	7866S
28P372 SPICE	472164!	29010 ACDEL	1196	290200 ACDEL	472016	2907 ACDEL	1188
28P40 SPICE	473228!	29010 TRANS	417495=	290201 ACDEL	455151	29071 ACDEL	7994S
28P51 SPICE	471466!	290100 ACDEL	45013S	290202 ACDEL	6312	29072 ACDEL	8121S
28P57 SPICE	471231!	290102 ACDEL	473473	290204 ACDEL	41075S	29073 ACDEL	8139
28P67 SPICE	471341!	290103 ACDEL	411348	290205 ACDEL	46997S	29074 ACDEL	8243
28P69 SPICE	410496!	290104 ACDEL	417485	290206 ACDEL	45031S	29075 ACDEL	8430S
28P72 SPICE	415001!	290105 ACDEL	417353	290208 ACDEL	55155=	29076 ACDEL	6960
28P75 DANA	417484	290106 ACDEL	55692=	29021 ACDEL	5756	29076 WHITE	470530!
28P76 SPICE	416654!	290107 ACDEL	200600	290211 ACDEL	200763	290768R91 IH	415960
28P85 SPICE	471760	290108 ACDEL	80313	290212 ACDEL	415082	29077 ACDEL	8521S
28P86 SPICE	473229	290109 ACDEL	200640	290213 ACDEL	415876	29078 ACDEL	370047A
28X38X7SC TRSCM	28X38X7	29011 ACDEL	1198	290214 ACDEL	417020	290787R91 IH	473467
28X38X7TC TRSCM	28X38X7	290110 ACDEL	200855	290215 ACDEL	417205	29079 ACDEL	8705S
28X40X7SC TRSCM	28X40X7	290111 ACDEL	203006	290216 ACDEL	417514	2908 ACDEL	1192
28X40X7TC TRSCM	28X40X7	290112 ACDEL	205004	290217 ACDEL	5MR71	29080 ACDEL	8871
28X42X8SC TRSCM	28X42X8!	290113 ACDEL	205044	290220 ACDEL	417506	290811R91 IH	416921!
28X42X8TC TRSCM	28X42X8!	290115 ACDEL	291295	290221 ACDEL	417353	29085 ACDEL	9015S
28X44X6SC TRSCM	28X44X6!	290116 ACDEL	292594	290222 ACDEL	416102	29087 ACDEL	9150S
28X44X6TC TRSCM	28X44X6!	290117 ACDEL	418028	290223 ACDEL	417509	29088 ACDEL	9339S
28X45X8SC TRSCM	28X45X8	290118 ACDEL	331301N	290224 ACDEL	417359	2909 ACDEL	1195
28X45X8TC TRSCM	28X45X8	290119 ACDEL	340210	290225 ACDEL	416273	29090 ACDEL	8705S
28X47X NATL	28X47X7!	29012 ACDEL	1217	290226 ACDEL	471192	29091 ACDEL	9762S
28X47X7SC TRSCM	28X47X7!	290120 ACDEL	4148	290227 ACDEL	417485	29092 ACDEL	8705S
28X47X7TC TRSCM	28X47X7!	290121 ACDEL	203006	29023 ACDEL	473450	29093 ACDEL	471413
28X47X8 NATL	28X47X7!	290122 ACDEL	442380	29024 ACDEL	472179	290932 BR-ST	470328
28X48X8SC TRSCM	28X48X8	290123 ACDEL	450033	29025 ACDEL	5836	290932 BR-ST	481213!
28X48X8TC TRSCM	28X48X8	290124 ACDEL	480630	29026 ACDEL	5924	29094 ACDEL	40566S
28X52X7SC TRSCM	28X52X7	290125 ACDEL	410496	29029 ACDEL	6064	29095 ACDEL	40576S
28X52X7TC TRSCM	28X52X7	290126 ACDEL	417509	2903 ACDEL	1070=	29096 ACDEL	40769S
28X71 AIRCO	471103!	290127 ACDEL	416664	29030 ACDEL	413478	29097 ACDEL	40973S

! Industrial Size/Type = Call 1-800-480-1212 for price and delivery.

Zero Duplication or Recommended Industrial		Zero Duplication or Recommended Industrial		Zero Duplication or Recommended Industrial		Zero Duplication or Recommended Industrial					
Mfr. No.	Name	Mfr. No.	Name	Mfr. No.	Name	Mfr. No.	Name				
29098	ACDEL	41257	291145	ACDEL	416239	291247	ACDEL	415077	291675	BR-ST	472354!
29099	ACDEL	42101S	291147	ACDEL	470059	291249	ACDEL	417602	29169	ACDEL	6592S=
290WL130-M1	C-R	9150S	291148	ACDEL	482253	29125	ACDEL	5406	2917	ACDEL	1181
291-100	ACDEL	8660S	291149	ACDEL	473235	291250	ACDEL	416888	29171	ACDEL	6635S
291-106	ACDEL	8835S	29115	ACDEL	2689S	291251	ACDEL	416394	29172	ACDEL	6643S
291-113	ACDEL	9178S	291150	ACDEL	451948	291252	ACDEL	417516	29173	CHERY	481864
291-12	ACDEL	2081	291151	ACDEL	411500	291253	ACDEL	417238	29174	ACDEL	485497
291-13	ACDEL	2146	291152	ACDEL	471835	291254	ACDEL	455584	29174	CHERY	470088
291-16	ACDEL	5113	291153	ACDEL	470487	291255	ACDEL	455178=	29177	ACDEL	6864S
291-275	ACDEL	3348	291154	ACDEL	471862	291256	ACDEL	417495	29178	ACDEL	6872S
291-300	ACDEL	370005A	291155	ACDEL	451182	291257	ACDEL	415394	29179	ACDEL	417254
291-301	ACDEL	4795V	291156	ACDEL	415041	291258	ACDEL	455536	2918	ACDEL	1187
291-302	ACDEL	417505	291157	ACDEL	416892	291259	ACDEL	416070	29180	ACDEL	6897=
291-303	ACDEL	370120A	291158	ACDEL	415058	291260	ACDEL	455614	29181	ACDEL	9568
291-31	ACDEL	5453	291159	ACDEL	415060	291261	ACDEL	416288	29182	UNIVE	450038
291005R91	IH	416891!	291160	ACDEL	415351	291263	ACDEL	417159	29183	ACDEL	6966S
291010R91	IH	476470	291161	ACDEL	415064	291264	ACDEL	416288	29183	MICH	450038
291010R91	IH	476470!	291162	ACDEL	415437	291265	ACDEL	416239	291832	BR-ST	471646!
29105	C-R	227409	291163	ACDEL	417267	291266	ACDEL	417596	291832R1	IH	417602!
291099	TIMKE	291099	291164	ACDEL	417481	291267	ACDEL	417238	29184	ACDEL	7006S
2910BJ	SPG	2910	291165	ACDEL	416024	291268	ACDEL	455584	291841	BR-ST	471267!
2911	ACDEL	1012N	291166	ACDEL	455336	291269	ACDEL	417267	29185	ACDEL	7154S
29110	ACDEL	1955	291167	ACDEL	417541	29127	ACDEL	5408	291851R91	IH	416476!
291101	ACDEL	8676S	291168	ACDEL	415447	291270	ACDEL	416024	291852R91	IH	416476!
291102	ACDEL	8695S	291169	ACDEL	417262	291271	ACDEL	415394	29186	ACDEL	7245
291102C91	IH	473228	29117	HYST	450040	291272	ACDEL	473238	29187	ACDEL	7376=
291103	ACDEL	8704S	291170	ACDEL	455547	291273	ACDEL	410987	29188	ACDEL	7686S
2911035	WOOL	455297	291171	ACDEL	417506	291274	ACDEL	456618	29189	ACDEL	7687S
291103C91	IH	473228	291172	ACDEL	417480	29128	ACDEL	5410	2919	ACDEL	1960
291104	ACDEL	8724S	291173	ACDEL	415958	291295	TIMKE	291295	29191	ACDEL	7886S
291104C91	IH	442380	291174	ACDEL	416153	2913	ACDEL	473238	29192	ACDEL	7896S
291105	ACDEL	9569S	291175	ACDEL	456648	29130	ACDEL	5452	29193	ACDEL	8133S
291105C91	IH	442380	291176	ACDEL	410987	291312	BR-ST	471224!	29194	ACDEL	473228
291107	ACDEL	8940S	291177	ACDEL	412119	29132	ACDEL	5458	29195	ACDEL	8429S
291108	ACDEL	9049	291178	ACDEL	415458	29133	ACDEL	5471	29196	ACDEL	8477S
291108	ACDEL	9049N	291179	ACDEL	473228	29134	ACDEL	5472=	29197	ACDEL	8549S
291108	BR-ST	50490=	291181	ACDEL	3195	291348R91	IH	471765!	291973R91	IH	417967!
291109	ACDEL	370086A	291182	ACDEL	3199	291349R91	IH	471765!	29198	ACDEL	8594S
29111	ACDEL	2055	291183	ACDEL	3214	29135	ACDEL	5473	29199	ACDEL	8597S
291110	ACDEL	9116S	291184	ACDEL	5871	29136	ACDEL	5481	291FF123-L	C-R	6098=
291111	ACDEL	9128S	291188	ACDEL	5M289	29139	ACDEL	5487	292-110	ACDEL	417158
291112	ACDEL	9161	29119	ACDEL	5124	2914	ACDEL	470898	292-12	ACDEL	5778
291115	ACDEL	9342S	291196	ACDEL	5M497	29141	ACDEL	5494	292-128	ACDEL	2286
291116	ACDEL	9344S	291198	ACDEL	JV701	29141	NEHO	474278!	292-135	ACDEL	710166
291117	ACDEL	9363S	291199	ACDEL	JV1210=	29142	ACDEL	5495	292-3P76127	LUF	473243
291118	ACDEL	9568	2912	ACDEL	472164	29142	NEHO	472439	292-42	ACDEL	8460N
291119	ACDEL	9569S	29120	ACDEL	5313	29142	SPERY	472439	292-45	ACDEL	8610
29112	C-R	227410	291201	ACDEL	470712	29142	VICK	472439	292-7	ACDEL	2043
291120	ACDEL	9584	291206	ACDEL	1062=	29143	ACDEL	5573	292-73	ACDEL	411330
291121	ACDEL	9864S	29121	ACDEL	5401	291430	BENDI	340872	292025R91	IH	415076
291123	ACDEL	9912	291216	ACDEL	1208	29144	ACDEL	5578	292030R91	IH	417562
291124	ACDEL	9913	291218	ACDEL	42X55X8	29144	EATON	473215!	2921	ACDEL	472492
291126	ACDEL	40316S	291219	SPG	5113	29145	ACDEL	5589	29210	NOK	223410
291127	ACDEL	40369S	291219	SPG	7721!	2914518	CHRYSS	415085!	29210	NOK	710416
291128	ACDEL	42763	29122	ACDEL	5403	2914518	CHRYSS	456648	292100	ACDEL	450776
291129	ACDEL	50631	291221	ACDEL	473241	29146	ACDEL	5751	292100	NATL	292100
291130	ACDEL	470764	291222	SPG	7107A=	29147	ACDEL	414045	292101	ACDEL	450984
291131	ACDEL	410987	291222C91	IH	415458	29149	ACDEL	5871	292102	ACDEL	451078
291132	ACDEL	473228	291223	ACDEL	471316	29154	ACDEL	5951	292104	ACDEL	416444
291133	ACDEL	410825	291225	ACDEL	473230	29155	ACDEL	5957S	292105	ACDEL	417211
291135	ACDEL	51322	291229	ACDEL	6245S=	29156	ACDEL	370036A	292106	ACDEL	417539
291136	ACDEL	484058	291232	ACDEL	416892	29156	ACDEL	370338A	292107	ACDEL	417349
291137	ACDEL	455249	291235	ACDEL	8996S=	29158	ACDEL	6077	292108	ACDEL	417159
291138	ACDEL	456618	291237	ACDEL	417159	29159	ACDEL	6090S	292109	ACDEL	416404
291139	ACDEL	416297	291238	ACDEL	45187S	291596R91	IH	471272!	29211	ACDEL	450666
291139R91	IH	415449!	29124	ACDEL	5405	2916	ACDEL	1180	292111	ACDEL	455356
29114	ACDEL	2669	291240	ACDEL	50501	29160	ACDEL	6241S	292112	ACDEL	415371
291140	ACDEL	415857	291241	ACDEL	50560	29161	ACDEL	6270	292113	ACDEL	415437
291141	ACDEL	455858	291242	ACDEL	415043	29162	ACDEL	6358	292114	ACDEL	417518
291142	ACDEL	472144	291243	ACDEL	415711	29164	ACDEL	473228	292115	ACDEL	455500
291143	ACDEL	340356	291244	ACDEL	55353	29165	ACDEL	6465	292116	ACDEL	416292
291144	ACDEL	355200	291245	ACDEL	55367=	29167	ACDEL	6532S=	292117	ACDEL	473452

! Industrial Size/Type = Call 1-800-480-1212 for price and delivery.

Zero Duplication or Recommended			Zero Duplication or Recommended			Zero Duplication or Recommended			Zero Duplication or Recommended		
Mfr. No.	Name	Industrial	Mfr. No.	Name	Industrial	Mfr. No.	Name	Industrial	Mfr. No.	Name	Industrial
292118	ACDEL	471193	29220S	JN-MN	473224!	29227	C-R	416500	293-201	ACDEL	481181
292119	ACDEL	471707N	2923	ACDEL	224015	29277	C-R	416500 =	293-304	ACDEL	473214
292120	ACDEL	472747	29230	ACDEL	7216	29278	ACDEL	417487	293-33	ACDEL	473179
292121	ACDEL	415458	29230	C-R	416956	29279	ACDEL	416444	293-51	ACDEL	7412S
292122	ACDEL	416654	29231	ACDEL	473235	29280	ACDEL	416271	293-65	ACDEL	8792S
292123	ACDEL	417484	29231	C-R	416956	292807C91	IH	713750	293-70	ACDEL	4333N
292124	ACDEL	415483	29233	ACDEL	7378	29281	ACDEL	418028	293-70	ACDEL	9449
292125	ACDEL	415960	29234	ACDEL	7457N	29282	ACDEL	415449	293-72	ACDEL	9613S
292126	ACDEL	477069	29235	C-R	416956	29283	ACDEL	416404	29300	C-R	416654!
292127	ACDEL	471272	29238	ACDEL	8168 =	29284	ACDEL	415379	29305	C-R	416654 =
292129	ACDEL	225230	29239	ACDEL	472070	29285	ACDEL	473215	29307A	HYST	410987!
292130	ACDEL	2642	2924	ACDEL	224045	29286	ACDEL	470334	29308	HYST	410987!
292131	ACDEL	5126	29240	C-R	416956	2928694	GMC	417505	29310	ACDEL	2655
292132	ACDEL	473274	29241	ACDEL	8293S	2928694	GMC	6864S	29310	C-R	416654!
292136	ACDEL	5M643	29241	C-R	416956	29287	ACDEL	473464	29310	NOK	223540
292138	ACDEL	472258	29243	ACDEL	8515N	29288	ACDEL	410102	293100	ACDEL	331228H
29214	ACDEL	471224	292439R91	IH	417020	29288	C-R	416500	293101	ACDEL	340797
292144R91	IH	473234	29244	ACDEL	473235	29288	C-R	4563V	293103	ACDEL	471267
292151	ACDEL	223542	292446R91	IH	416107!	29289	ACDEL	410987	293104	ACDEL	473454
292152	ACDEL	1173	292446R91	IH	455073	2929	ACDEL	370003A	293105	ACDEL	350909
292153	ACDEL	1176	292447R91	IH	416107!	29290	ACDEL	450143	293106	ACDEL	473228
292154	ACDEL	1177	292447R91	IH	455073	29290	C-R	416654*	293107	ACDEL	470334
292155	ACDEL	224520	292448R91	IH	416107!	29291	ACDEL	471619	293108	ACDEL	473234
292156	ACDEL	32X58X8	292448R91	IH	455073	29292	ACDEL	410190	293109	ACDEL	471649
292157	ACDEL	1216N	292472	BR-ST	470328	29292	C-R	416654! =	29311	ACDEL	5200
29216	ACDEL	5921	292472	BR-ST	481213!	29292	C-R	416654!	293110	ACDEL	470712
292163	ACDEL	50419	292473	BR-ST	471224!	29293	ACDEL	411394	293111	ACDEL	410308
292164	ACDEL	473441	29249	ACDEL	3604	29294	ACDEL	474255	293112	ACDEL	472636
292165	ACDEL	470487	29250	ACDEL	9316	292949C91	IH	415995!	293113	ACDEL	472164
292167	ACDEL	473258	29251	ACDEL	410308	292949C91	IH	415995!	293114	ACDEL	473231
29219	ACDEL	6127	29252	ACDEL	415960	29295	ACDEL	473231	293115	ACDEL	470898
2921OS	JN-MN	474265	29253	ACDEL	416921	29296	ACDEL	470774	293116	ACDEL	473227
2922	ACDEL	1170	29254	ACDEL	416654	292966	AUTOZ	TCS45985	293117	ACDEL	471341
2922	SPG	710046	292543R91	IH	472397!	29297	ACDEL	471138	293118	ACDEL	471272
292209	ACDEL	2876	29256	ACDEL	416500	29298	ACDEL	450456	293119	ACDEL	471829
29221	ACDEL	6612S	29257	ACDEL	40185	29299	ACDEL	450686	29312	ACDEL	5201
292210	ACDEL	370004A	29258	ACDEL	40286	292E765145	LUF	415551	293120	ACDEL	471344
292211	ACDEL	7131	29259	ACDEL	40337S	292E920110	LUF	471647	293121	ACDEL	417316
292212	ACDEL	8020S	292594	TIMKE	292594	292E920140	LUF	471766!	293122	ACDEL	415995
292214	ACDEL	55301S	292594F60	SPG	292594	292E920151	LUF	450129	293123	ACDEL	415995
292215	ACDEL	55309 =	2926	ACDEL	224045	292E920151	LUF	472826!	293124	ACDEL	476470
292216	ACDEL	415371	2926	HWY	471766!	292E920330	LUF	417316!	293125	ACDEL	415991
292217	ACDEL	415001	29260	ACDEL	40438S	292E920350	LUF	416654!	293126	ACDEL	417349
292218	ACDEL	417350	29260	C-R	417159	292E920400	LUF	476470	293127	ACDEL	415437
29222	ACDEL	6649	292606	ACF	416654	292E920860	LUF	415551	293128	ACDEL	415983N
292223	ACDEL	410496	29261	ACDEL	471787	292E920960	LUF	415128	293129	ACDEL	415991
292225	ACDEL	416294	29262	ACDEL	50402	292N920280	LUF	413247!	29313	ACDEL	5202
292226	ACDEL	416706	29262	C-R	417159 =	292SP10731	LUF	415449!	293130	ACDEL	473225
292227	ACDEL	450467	29263	ACDEL	410737	292SP10734	LUF	417487	293131	ACDEL	6241S
292228	ACDEL	416163	29264	JN SON	471271!	292SP10735	LUF	417357	293132	ACDEL	471820
292229	ACDEL	455260	29264	NOK	223553	292SP10735	LUF	455192!	293133	ACDEL	473459
29223	C-R	416956	29265	ACDEL	484054	292SP10736	LUF	417316!	293134	ACDEL	473226
292230	ACDEL	455290	29265	C-R	417159*	292SP10737	LUF	417196!	293135	ACDEL	473447
292231	ACDEL	415350	29266	ACDEL	55028	292SP10748	LUF	416273!	293136	ACDEL	471762
292232	ACDEL	417537	29267	ACDEL	55199 =	292SP10759	LUF	417349	293137	ACDEL	471763
292233	ACDEL	455375 =	29268	ACDEL	412119	292SP10789	LUF	415449	293138	ACDEL	471764
292234	ACDEL	455434	29269	ACDEL	472179	292SP10791	LUF	415995!	293139	ACDEL	471765
292235	ACDEL	417497	29270	ACDEL	472179	292SP10795	LUF	415072	29314	ACDEL	5203
292236	ACDEL	417551	29270	C-R	417159*	292SP10796	LUF	416865!	293140	ACDEL	471766
292237	ACDEL	416332	29271	ACDEL	410686N	292SP10797	LUF	470625!	293141	ACDEL	471801
292239	ACDEL	472636	29271	C-R	417159	292SP10798	LUF	415991	293142	ACDEL	473016
29224	ACDEL	6808N	292719R91	IH	415458	292SP10798	LUF	455146!	293143	ACDEL	472179
29224	C-R	416956	29272	ACDEL	410737	292SP10816	LUF	472636!	293144	ACDEL	471571
292240	ACDEL	472924	29272	C-R	416500	292SP65130	LUF	416556!	293145	ACDEL	473229
292241	ACDEL	415371	292720R91	IH	412119!	292SP65130	LUF	472157	293146	ACDEL	473010
292242	ACDEL	417551	29273	C-R	416500	292SP75906	LUF	476470	293147	ACDEL	471649
292243	ACDEL	416332	29273	C-R	4563V	292SP76127	LUF	473243	293148	ACDEL	470590
292244	ACDEL	415350	29274	ACDEL	417344	292SP76371	LUF	473228	293149	ACDEL	473211
29225	ACDEL	6818	29275	ACDEL	415960	292SP76685	LUF	417487!	29315	ACDEL	5204
29227	ACDEL	6930	29275	C-R	416500*	292SP76685	LUF	417487	293150	ACDEL	470682
29228	ACDEL	7044NA	29276	ACDEL	416921	292SP76700	LUF	416888!	293151	ACDEL	473239
29229	ACDEL	5126	29277	ACDEL	415036	292SP767000	LUF	416888!	293152	ACDEL	472394

! Industrial Size/Type * Minor Width Difference = Call 1-800-480-1212 for price and delivery.

Zero Duplication or Recommended Industrial		Zero Duplication or Recommended Industrial		Zero Duplication or Recommended Industrial		Zero Duplication or Recommended Industrial					
Mfr. No.	Name	Mfr. No.	Name	Mfr. No.	Name	Mfr. No.	Name				
293153	ACDEL	472012	293226	ACDEL	222510	29341	ACDEL	410059	29399	ACDEL	331227H
293154	ACDEL	472015	293227	ACDEL	222510	29342	ACDEL	9613S	29404PTB	TRSCM	416654
293155	ACDEL	473457	293228	ACDEL	33X50X12	29343	ACDEL	473234	29404TA	TRSCM	416654
293156	ACDEL	410308	293229	ACDEL	1193	29344	ACDEL	472354	29405	C-R	417486
293157	ACDEL	472016	29323	ACDEL	5200	29346	ACDEL	7188S	29406	C-R	417486*
293158	ACDEL	472016	293230	ACDEL	223240	29347	ACDEL	471344	29408011	GARLK	471645
293159	ACDEL	450313	293236	ACDEL	1215	29348	ACDEL	7300S	2940D	GOODM	55028
29316	ACDEL	5205	293236	ACDEL	1215N	29350	ACDEL	7399S	2941	ACDEL	1010=
29316	C-R	416654!	293238	ACDEL	9599S	29352	ACDEL	7442H	29410	ACDEL	7840S
293160	ACDEL	473243	293239	ACDEL	473215	29353	ACDEL	473214	29411	ACDEL	471538
293161	ACDEL	473245	293246	ACDEL	473228	29355	ACDEL	342805	29412	ACDEL	8059S
293162	ACDEL	472636	293249	ACDEL	471539	29356	ACDEL	353135	29413	ACDEL	471538
293163	ACDEL	412871	293250	ACDEL	473234	29357	ACDEL	473473	29413TA	TRSCM	417486
293164	ACDEL	471870	293251	ACDEL	471801	29358	ACDEL	7692S	29414	ACDEL	40101S
293165	ACDEL	470898	293252	ACDEL	472179	2936	ACDEL	2361	29415	ACDEL	471571
293166	ACDEL	471652	293253	ACDEL	472164	29360	ACDEL	7751H	29416	ACDEL	240319
293167	ACDEL	473197	293255	ACDEL	415988	29360	C-R	416654*	294160	BR-ST	471554!
293168	ACDEL	473445	293256	ACDEL	470059N	29362	ACDEL	7929S	294167	BR-ST	471270!
293169	ACDEL	472164	293257	ACDEL	473214	29363	ACDEL	473473	29417	ACDEL	40401
29317	ACDEL	5206	293258	ACDEL	473468	29364	ACDEL	471827	29418	ACDEL	40433S
29317	C-R	416654*	29326	ACDEL	472258	29367	ACDEL	8935S	29419	ACDEL	472560N
29317	C-R	416654!	293261	ACDEL	473445	29367	BR-ST	471567!	2942	ACDEL	1049
293170	ACDEL	471271	293265	ACDEL	472258	29368	BR-ST	450593!	2942	NATL	7782N
293171	ACDEL	472258	293266	ACDEL	471413	29369	ACDEL	9376	2942	TIMKE	2942
293172	ACDEL	470565	293267	ACDEL	471413	2937	ACDEL	2443	29420	ACDEL	474278
293173	ACDEL	413248	293268	ACDEL	455134	29370	C-R	416654!	29420	C-R	475348N*
293174	ACDEL	410737	293269	ACDEL	473460	29371	ACDEL	9487	29421	ACDEL	352541
293175	ACDEL	470898	29327	ACDEL	5976S	29371	C-R	416654!	29422	ACDEL	472311
293178	ACDEL	451143	293271	ACDEL	50075=	293714	SPG	1967	29423	ACDEL	323138
293179	ACDEL	472164	293273	ACDEL	480491	29373	ACDEL	410059	29424	ACDEL	415995
29318	ACDEL	5207	293274	ACDEL	50528	293739R1	NAVST	425RR	29424	C-R	227530
293180	ACDEL	451169N	293277	ACDEL	343185	29375	ACDEL	471827	29425	ACDEL	240151
293181	ACDEL	415988	293279	ACDEL	350942	29375	C-R	416654!	29426	ACDEL	240356
293182	ACDEL	416332	293280	ACDEL	472636	293751	SPG	1174	29427	ACDEL	6703S
293183	ACDEL	415379	293281	ACDEL	415991	293751	SPG	38X52X8.5!	29428	ACDEL	240414
293184	ACDEL	417484	293282	ACDEL	417191	29376	ACDEL	471829	29429	ACDEL	240731
293185	ACDEL	417484	293283	ACDEL	417344	29377	ACDEL	415991	29430	ACDEL	240733
293186	ACDEL	415483	293284	ACDEL	473412	29378	ACDEL	415991	29430	C-R	455356
2931862	CHRY	5126	293285	ACDEL	450311	29379	ACDEL	418028	29431	ACDEL	240735
293187	ACDEL	457291	293286	ACDEL	450362	2937D	GOODM	416332!	29432	ACDEL	240736
2931875	CHRY	8835S	293288	ACDEL	450415	2938	ACDEL	2503	29433	ACDEL	470954
293188	ACDEL	470380	293289	ACDEL	450604	2938	ACDEL	2503N	29434	ACDEL	472560N
293189	ACDEL	472185	29329	ACDEL	473214	29380	ACDEL	415991	29435	ACDEL	340413
293190	ACDEL	472705	293290	ACDEL	450911N	29381	ACDEL	472394	29435	NOK	1147
293191	ACDEL	471827	293291	ACDEL	416332	29382	ACDEL	470898	29436	ACDEL	254270
293192	ACDEL	470687	293292	ACDEL	472164	29382	EATON	370023A	29436	NOK	1146
293193	ACDEL	470898	293293	ACDEL	473212	29382	EATON	456618	29437	ACDEL	340724
293194	ACDEL	471554	293294	ACDEL	471570	29383	ACDEL	471554	29437	NOK	1147
293195	ACDEL	471341	293295	ACDEL	472258	29383	C-R	416654!	29438	ACDEL	340787
293196	ACDEL	472189A	293296	ACDEL	470530	29384	ACDEL	470954	29438	NOK	1036
293197	ACDEL	470898	293297	ACDEL	472185	29384	C-R	417486	29439	ACDEL	471413
293198	ACDEL	471424	293298	ACDEL	412119	29385	ACDEL	340771	29440	ACDEL	471766
293199	ACDEL	473445	293299	ACDEL	471424	29385	C-R	417486	29440	C-R	455356*
2932	ACDEL	1163=	2933	ACDEL	1167	29386	ACDEL	473463	29441	ACDEL	471689
293200	ACDEL	470954	29330	ACDEL	410987=	29387	ACDEL	50266	29442	ACDEL	471267
293202	ACDEL	482163	293300	ACDEL	417343	29387	NOK	710112	29443	ACDEL	472185
293203	ACDEL	471652	293301	ACDEL	473367	29388	ACDEL	470506	29444	ACDEL	471466
293204	ACDEL	415483	293302	ACDEL	471801	29389	ACDEL	51032S	29445	ACDEL	471551
293205	ACDEL	223840	293303	ACDEL	415483	2938D	GOODM	415937!	29446	ACDEL	473179
293206	ACDEL	33X50X12	293305	ACDEL	471424	2939	ACDEL	2551	29447	ACDEL	470625
293207	ACDEL	2506	293306	ACDEL	473212	29390	ACDEL	471413	29448	ACDEL	473237
293208	ACDEL	2658	293307	ACDEL	410059	29390	C-R	417486	29449	ACDEL	474276
293209	ACDEL	2876	29331	US-EL	474255	29391	ACDEL	473367	2945	ACDEL	471267
293210	ACDEL	6847S	29332	ACDEL	471829	29391	C-R	417486	29454	ACDEL	1037
293211	ACDEL	8421S	29334	ACDEL	470954	29392	ACDEL	472287	29456	ACDEL	7399S
293212	ACDEL	.5MR1300	29335	ACDEL	6847S	29393	ACDEL	240009	29457	ACDEL	6597S
293214	ACDEL	473010	293353R91	IH	415483!	29394	ACDEL	240698	29458	ACDEL	480821
293218	ACDEL	1041	29336	ACDEL	471827	29394PTB	TRSCM	416500!	29459	ACDEL	6597S
29322	ACDEL	5201	29337	ACDEL	470898	29395	ACDEL	240816	2946	ACDEL	6859S
29322	C-R	416654	29339	ACDEL	473459	29396	ACDEL	311189	29460	ACDEL	43071S
293223	ACDEL	1094=	2934	ACDEL	3771	29397	ACDEL	472354	29460	C-R	455356*
293224	ACDEL	1097N	29340	ACDEL	7018N=	29398	ACDEL	331107N	294606	BR-ST	441130

! Industrial Size/Type * Minor Width Difference = Call 1-800-480-1212 for price and delivery.

Zero Duplication or Recommended			Zero Duplication or Recommended			Zero Duplication or Recommended			Zero Duplication or Recommended		
Mfr. No.	Name	Industrial	Mfr. No.	Name	Industrial	Mfr. No.	Name	Industrial	Mfr. No.	Name	Industrial
29461	ACDEL	471689	2954147	PEERC	471567!	2961	ACDEL	226020	29671	ACDEL	5127
29462	ACDEL	472157	2954148	PEERC	473227	2961012	LILIS	473227!	29672	ACDEL	5108
29463	ACDEL	450532	295416	PEERC	415327	29611	ACDEL	5108	29673	ACDEL	5132
29464	ACDEL	471224	29542	ACDEL	474272	2961188	CHRYS	9316	29675	C-R	1019
29465	ACDEL	415995	29542	C-R	227550*	2961190	CHRYS	5778	296804	ACF	416288
29465	C-R	455356*	29542	C-R	75X100X10V	29612	ACDEL	5111	29681	ACDEL	5128N
29466	ACDEL	473179	29543	ACDEL	473454	29612	ACDEL	5111S	29683	ACDEL	412473
2947	ACDEL	471267	29543	C-R	75X100X10	29613	ACDEL	5112S	29684	ACDEL	40085S
29471	C-R	712937	29544	ACDEL	472082	29614	ACDEL	5116	296842	HYST	415234!
294769C91	IH	370004A	29544	C-R	75X100X10V	2961493	CHRYS	9773	29685	ACDEL	50191
2948	ACDEL	7013S	29545	ACDEL	472341	29615	ACDEL	5117	29685	C-R	227610
29480	C-R	370199A	29545	C-R	75X100X10V	2961607	CHRYS	474276	29685	PEERC	415327
2949	ACDEL	471652	29546	ACDEL	480574H	2961618	CHRYS	415991	296863R91	IH	471224!
294FF128	C-R	6064	29547	ACDEL	471195	2961618	CHRYS	415991!	29687	ACDEL	50209
294FF28	C-R	6064	2954738	CHRYS	417487	29619	ACDEL	5337	29689	ACDEL	327303
295	C-P	450593!	29548	ACDEL	471504	2961985	IVECO	713119	29690	ACDEL	415213N
295-24	ACDEL	9845	29549	ACDEL	3103	2962	ACDEL	227040	29691	ACDEL	450655=
29505	C-R	710240	2955	ACDEL	5587	29620	ACDEL	5095	29692	ACDEL	451583
2951	ACDEL	1110	2955	TIMKE	2955	29624	ACDEL	5390	29693	ACDEL	455583N
29510	ACDEL	6636S	2955098	CHRYS	415458!	29628	JOHND	473239	296931R91	IH	415995!
29510	C-R	75X90X10	29551	ACDEL	5M81	29629	ACDEL	5419	29694	ACDEL	455956H
29510	C-R	75X90X8!	29553	ACDEL	5M445	2963	ACDEL	5026	29695	ACDEL	481644
29512	ACDEL	470712	29555	C-R	75X105X13	29637	ACDEL	5460	29696	ACDEL	415379
29512	C-R	75X90X10!	2955635	CHRYS	481181!	296377	SPG	8975S	29697	ACDEL	485725H=
29513	ACDEL	6759S	2955637	CHRYS	471271!	29639	ACDEL	5479	296D4	WHITE	471271!
29513	C-R	75X90X10!	29557	ACDEL	472164	296390C91	IH	370048A	296FF2-L	C-R	205044
29514	ACDEL	6936S	29558	ACDEL	224040	296392C91	IH	370007A	296G130	C-R	470530!
29515	ACDEL	3103	2955840	CHRYS	370003A	296393C91	IH	370001A	29700	KELSE	5924
29516	ACDEL	3103	2955842	CHRYS	370023A	296394C91	IH	370019A	297000C91	IH	473473
29517	ACDEL	473237	2955843	CHRYS	370034A	296396C92	IH	370019A	297001C91	IH	473473
29518	ACDEL	3095	2955RC	SUL	415711	2963RH	SPG	1987	29705X	MASSE	473444
29519	ACDEL	415449	29563	ACDEL	413246	2964	ACDEL	5070	29708	NOK	321460
2952	ACDEL	3095	29563	C-R	710384	296409C91	IH	370033A	29700S	JN-MN	473229
29520	ACDEL	350936	29563	C-R	75X100X12!	29642	ACDEL	5576	29710	ACDEL	471750
29520	C-R	710376	29564	ACDEL	2955	296437C91	IH	370021A	29710	NOK	710102
29522	ACDEL	8804S=	29565	ACDEL	472409	296438C91	IH	370036A	29711	ACDEL	40494S
29523	ACDEL	9599S	29566D	IH	474265	296438C91	IH	370349A	29712	ACDEL	43089S
29524	C-R	75X95X10!	29567	ACDEL	471271	296440C91	IH	370003A	29713	ACDEL	203003
2952467	CHRYS	6808N	29567	C-R	75X105X13!	296441C91	IH	370030A	29714	ACDEL	203003
29525	ACDEL	472439	29568	ACDEL	411253	296448C1	IH	730017	29715	ACDEL	203008
29525	C-R	227530	2956OS	JN-MN	415035	29645	ACDEL	5585	29716	ACDEL	203012
29525	C-R	75X95X10!	2956OS	JN-MN	415035!	29646	ACDEL	5072	29717	ACDEL	203013
29526	C-R	716445	2957	ACDEL	470354	29647	ACDEL	5591	29718	ACDEL	203016
29526	C-R	75X95X10V!	29570	ACDEL	415938	296470	TIMKE	476470	29719	ACDEL	203020
29527	ACDEL	42260S	29570	C-R	75X110X12	29649	ACDEL	415284	29710S	JN-MN	473226
29527	C-R	75X95X10V	29571	ACDEL	415449	2965	ACDEL	5072	2972	ACDEL	471316
29528	ACDEL	476470	29572	ACDEL	417171	29650	ACDEL	7014S	29720	ACDEL	203025
29529	ACDEL	321460	29573	ACDEL	417344	296501C91	IH	415458	2972024	CHRYS	370001A
2953	ACDEL	5115	29574	ACDEL	473474	296509C1	IH	415458	2972024	CHRYS	380001A
29530	C-R	75X95X10V	295749R91	IH	473231!	29651	ACDEL	40301S	29721	ACDEL	203029
29531	ACDEL	473231	29575	ACDEL	472185	29652	ACDEL	351487	297210	C-R	471504!
29531	BR-ST	471354!	29575	C-R	75X110X12!	29653	ACDEL	75251S	29722	ACDEL	204002
29532	ACDEL	332062	29576	ACDEL	472492	296543	ACF	416130!	297226R91	IH	472924!
29533	ACDEL	3945	29577	ACDEL	417316	29655	ACDEL	335924N	297227R91	IH	416556!
29534	ACDEL	350936	29578	ACDEL	473231	29656	ACDEL	345035	297227R91	IH	472157
29535	ACDEL	472439	29579	ACDEL	471504	29657	ACDEL	471538	29723	ACDEL	204008
29536	ACDEL	410708	2958	ACDEL	473179	296573	ACF	416070	29724	ACDEL	204013
29537	ACDEL	476470	29585	C-R	75X115X10*	29658	ACDEL	350974	29725	ACDEL	204017
29537	C-R	227530*	29585	C-R	75X115X12	29659	ACDEL	417621	29726	ACDEL	204020
29537	C-R	75X95X10!*	29587	C-R	75X120X10*	29659C	SUL	417211!	29727	ACDEL	205015
29538	ACDEL	472082	2959	ACDEL	410708	2966	ACDEL	5073	29728	ACDEL	204020
29539	ACDEL	450096	29590	C-R	200322	29660	ACDEL	417158	29728	LEECE	473444
2953962	CHRYS	442380	295957	SPG	8976S	29661	ACDEL	415035	29729	ACDEL	441319
2954	ACDEL	415937	295FF126	C-R	5070	29662	ACDEL	416865	2972981	CHRYS	370001A
29540	ACDEL	470354	295FF128	C-R	6064	29663	ACDEL	455251H	2972981	CHRYS	380001A
29540	C-R	227540	295FF131	C-R	41081S=	29664	ACDEL	455480	2972M1	C-R	470530!
29540	C-R	227550*	295G131	C-R	40370S	29665	ACDEL	415379	29720S	JN-MN	474265
29540	C-R	75X100X12!	296-01	ACDEL	3945	296653	ACF	416130!	2973	ACDEL	200354
2954018	CHRYS	40769S	296-8	ACDEL	5092	29666	ACDEL	480581	29730	ACDEL	412920
29541	ACDEL	450400	296-9	ACDEL	5095	29667H	IH	411253!	29731	ACDEL	471267
2954128	CHRYS	410308!	2960381	CHRYS	370033A	29668	ACDEL	5MR1301	29732	ACDEL	412861
2954128	CHRYS	473468	296051	SPG	418028	29669	ACDEL	1040=	29733	ACDEL	40154S

! Industrial Size/Type * Minor Width Difference = Call 1-800-480-1212 for price and delivery.

NUMERICAL

Zero Duplication or Recommended		Zero Duplication or Recommended		Zero Duplication or Recommended		Zero Duplication or Recommended	
Mfr. No.	Name	Mfr. No.	Name	Mfr. No.	Name	Mfr. No.	Name
29734	ACDEL	204008	298126	ACDEL	203034	298195	ACDEL
297346R91	IH	471424!	298127	ACDEL	204029	298196	ACDEL
297347R91	IH	470565!	298128	ACDEL	204035	298197	ACDEL
2973650	CHRY	370007A	298129	ACDEL	205005	298198	ACDEL
2973680	CHRY	370007A	298130	ACDEL	205017	298199	ACDEL
2973863	CHRY	417267	298131	ACDEL	205035	2982	ACDEL
29730S	JN-MN	471255!	298132	ACDEL	210945	2982	CALSO
29742	HYST	471689!	298133	ACDEL	411376	298200	ACDEL
29749X	MASSE	471835!	298134	ACDEL	415449	298201	ACDEL
29740S	JN-MN	470682	298135	ACDEL	240005	298202	ACDEL
2975	ACDEL	6283S	298136	ACDEL	240023	298203	ACDEL
29750X	MASSE	473444	298138	ACDEL	240119	298204	ACDEL
297513	BUC-E	472157!	298139	ACDEL	240319	298205	ACDEL
297513	BUC-E	472157	29814	ACDEL	472924	298205	ACDEL
297514	BUC-E	415871	298140	ACDEL	471267	298206	ACDEL
297516	BUC-E	55611=	298141	ACDEL	240462	298207	ACDEL
297517	BUC-E	416107!	298142	ACDEL	240716	298208	ACDEL
297517	BUC-E	455073	298143	ACDEL	453279	298209	ACDEL
2975320	CHRY	370057A	298144	ACDEL	291099	29821	ACDEL
2975361	CHRY	370003A	298146	ACDEL	331173	298210	ACDEL
297591R91	IH	450084!	298147	ACDEL	471466	298211	ACDEL
29759X	MASSE	450065	298148	ACDEL	471224	298211	C-R
2976	ACDEL	6362=	298149	ACDEL	340136	298213	ACDEL
29760	HYST	415082	29815	ACDEL	452222	298214	ACDEL
29761	CHERY	471192	298150	ACDEL	330385	298215	ACDEL
2976511	CHRY	370001A	298151	ACDEL	471267	298216	ACDEL
2976511	CHRY	380001A	298152	ACDEL	340400	298217	ACDEL
297661	BUC-E	416125!	298153	ACDEL	254287	298218	ACDEL
297667	BUC-E	415645!	298155	ACDEL	340771	29822	ACDEL
297667	BUC-E	455104	298156	ACDEL	340815	298220	ACDEL
2976698	CHRY	370023A	298157	ACDEL	340817	298221	ACDEL
2977	ACDEL	6832S	298158	ACDEL	340823	298222	ACDEL
29771X	MASSE	473231	298159	ACDEL	340900	298223	ACDEL
2978	ACDEL	6906S	29816	ACDEL	6222	298224	ACDEL
297824	ACF	473010	298160	ACDEL	340927	298225	ACDEL
2978604	CHRY	370057A	298161	ACDEL	345146	298226	ACDEL
2979	ACDEL	7235S	298162	ACDEL	350156	298228	ACDEL
29795	NOK	2955	298162	ACDEL	473096	298229	ACDEL
297951R91	IH	450084!	298163	ACDEL	350364	298230	ACDEL
2979957B00	SUZUK	223831	298164	ACDEL	473227	298231	ACDEL
297FF128	C-R	203034	298165	ACDEL	472311	298232	ACDEL
297G128	C-R	6064	298166	ACDEL	474272	298233	ACDEL
29800	C-R	3698	298167	ACDEL	471554	298234	ACDEL
2981	ACDEL	5462	298168	ACDEL	473367=	298235	ACDEL
29810	ACDEL	471442	298169	ACDEL	473232	298236	ACDEL
298100	ACDEL	50883=	29817	ACDEL	6357S	298237	ACDEL
298101	ACDEL	474256	298170	ACDEL	470530	298238	ACDEL
298102	ACDEL	472185	298171	ACDEL	470530	298239	ACDEL
298103	ACDEL	412725	298172	ACDEL	411253	29824	ACDEL
298104	ACDEL	55030	298173	ACDEL	412119	298240	ACDEL
298105	ACDEL	416282	298174	ACDEL	471442	298241	ACDEL
298106	ACDEL	417563	298175	ACDEL	471224	298242	ACDEL
298107	ACDEL	417570	298176	ACDEL	412920	298243	ACDEL
298108	ACDEL	55236	298177	ACDEL	470625	298244	ACDEL
298109	ACDEL	55239=	298178	ACDEL	470954	298245	ACDEL
298110	ACDEL	415867	298179	ACDEL	472287	298246	ACDEL
298111	ACDEL	415349	29818	ACDEL	6370N	298247	ACDEL
298112	ACDEL	55358=	298180	ACDEL	471763	298248	ACDEL
298113	ACDEL	327303	298181	ACDEL	472015	298249	ACDEL
298114	ACDEL	417492	298182	ACDEL	471391	29825	ACDEL
298115	ACDEL	415442	298183	ACDEL	473243	298250	ACDEL
298116	ACDEL	55469	298184	ACDEL	413247	298251	ACDEL
298117	ACDEL	417780	298185	ACDEL	471870	298252	ACDEL
298118	ACDEL	417433	298186	ACDEL	471271	298253	ACDEL
298119	ACDEL	415683	298188	ACDEL	471224	298254	ACDEL
29812	ACDEL	7107A=	298189	ACDEL	471570	298255	ACDEL
298120	ACDEL	410825	29819	ACDEL	6380	298256	ACDEL
298121	ACDEL	200642	298190	ACDEL	412473	298257	ACDEL
298122	ACDEL	200110	298191	ACDEL	415458	298258	ACDEL
298123	ACDEL	200322	298192	ACDEL	415027	298259	ACDEL
298124	ACDEL	200371	298193	ACDEL	416125	298260	ACDEL
298125	ACDEL	200851	298194	ACDEL	415035	298261	ACDEL
298262	ACDEL	473458	298195	ACDEL	415138	298262	ACDEL
298263	ACDEL	473462	298196	ACDEL	416865	298263	ACDEL
298264	ACDEL	413469	298197	ACDEL	417621	298264	ACDEL
298265	ACDEL	412943	298198	ACDEL	417181	298265	ACDEL
298266	ACDEL	411253	298199	ACDEL	415725	298266	ACDEL
298267	ACDEL	410694	2982	ACDEL	5727	298267	ACDEL
298268	ACDEL	412119	2982	CALSO	472164!	298268	ACDEL
298269	ACDEL	473441	298200	ACDEL	476470	298269	ACDEL
298270	ACDEL	450111	298201	ACDEL	415984	298270	ACDEL
298271	ACDEL	473467	298202	ACDEL	416664	298271	ACDEL
298272	ACDEL	473450	298203	ACDEL	415389	298272	ACDEL
298273	ACDEL	472572	298204	ACDEL	415498	298273	ACDEL
298274	ACDEL	473449	298205	ACDEL	415899N	298274	ACDEL
298275	ACDEL	471442	298205	ACDEL	416624	298275	ACDEL
298276	ACDEL	471224	298206	ACDEL	415995	298276	ACDEL
298277	ACDEL	472409	298207	ACDEL	440972	298277	ACDEL
298278	ACDEL	471735	298208	ACDEL	441130	298278	ACDEL
298279	ACDEL	472826	298209	ACDEL	350936	298279	ACDEL
29828	ACDEL	480630	29821	ACDEL	471442	29828	ACDEL
298280	ACDEL	412920	298210	ACDEL	412920	298280	ACDEL
298281	ACDEL	450133	298211	ACDEL	442251	298281	ACDEL
298282	ACDEL	471192	298211	C-R	50501	298282	ACDEL
298283	ACDEL	470625	298213	ACDEL	471530	298283	ACDEL
298284	ACDEL	471529	298214	ACDEL	471281	298284	ACDEL
298285	ACDEL	472234	298215	ACDEL	471532	298285	ACDEL
298286	ACDEL	471413	298216	ACDEL	471472	298286	ACDEL
298288	ACDEL	473460	298217	ACDEL	471535	298288	ACDEL
298289	ACDEL	473205	298218	ACDEL	473405	298289	ACDEL
29829	ACDEL	6575S	29822	ACDEL	483054N	29829	ACDEL
298290	ACDEL	472287	298220	ACDEL	471549	298290	ACDEL
298291	ACDEL	473234	298221	ACDEL	471558	298291	ACDEL
298292	ACDEL	471760	298222	ACDEL	471255	298292	ACDEL
298293	ACDEL	473424	298223	ACDEL	481073	298293	ACDEL
298294	ACDEL	473214	298224	ACDEL	471553	298294	ACDEL
298295	ACDEL	473421	298225	ACDEL	471554	298295	ACDEL
298296	ACDEL	473435	298226	ACDEL	471567	298296	ACDEL
298297	ACDEL	471747	298228	ACDEL	474253	298297	ACDEL
298298	ACDEL	473236	298229	ACDEL	471570	298298	ACDEL
298299	ACDEL	450188	298230	ACDEL	450033	298299	ACDEL
2983	ACDEL	5797	298231	ACDEL	450039	2983	ACDEL
29830	ACDEL	418028	298232	ACDEL	450040	29830	ACDEL
298300	ACDEL	471692	298233	ACDEL	450593	298300	ACDEL
298301	ACDEL	472705	298234	ACDEL	473419	298301	ACDEL
298302	ACDEL	481443	298235	ACDEL	450044	298302	ACDEL
298302568	REX	415449!	298236	ACDEL	476838	298302568	REX
298302668	REX	417172	298237	ACDEL	473426	298302668	REX
298303	ACDEL	471231	298238	ACDEL	471750	298303	ACDEL
298303068	REX	415082	298239	ACDEL	471354	298303068	REX
298303268	REX	470059	29824	ACDEL	455566	298303268	REX
298303268	REX	470380!	298240	ACDEL	450054	298303268	REX
298303468	REX	473473	298241	ACDEL	473438	298303468	REX
298303568	REX	410496!	298242	ACDEL	474264	298303568	REX
298303768	REX	471424!	298243	ACDEL	471821	298303768	REX
298304	ACDEL	451583	298244	ACDEL	450065	298304	ACDEL
298304568	REX	472179	298245	ACDEL	473367	298304568	REX
298304668	REX	417343!	298246	ACDEL	473228	298304668	REX
298304768	REX	471835!	298247	ACDEL	473232	298304768	REX
298304868	REX	417507	298248	ACDEL	472185	298304868	REX
298304868	REX	417507!	298249	ACDEL	472439	298304868	REX
298304968	REX	416364!	29825	ACDEL	6513	298304968	REX
298305	ACDEL	480210	298250	ACDEL	481864	298305	ACDEL
298305268	REX	455402=	298251	ACDEL	450073	298305268	REX
298305368	REX	473229	298252	ACDEL	474265	298305368	REX
298306068	REX	417079	298253	ACDEL	474281	298306068	REX
298306168	REX	470530!	298254	ACDEL	473444	298306168	REX
298306268	REX	415899N	298255	ACDEL	473446	298306268	REX
298306268	REX	416624	298256	ACDEL	473238	298306268	REX
298306368	REX	415146!	298257	ACDEL	450084	298306368	REX
298306368	REX	415991	298258	ACDEL	470530	298306368	REX
298306768	REX	473214!	298259	ACDEL	470086	298306768	REX
298306968	REX	417349!	298260	ACDEL	473313	298306968	REX
298307	ACDEL	471646	298261	ACDEL	470088	298307	ACDEL

! Industrial Size/Type = Call 1-800-480-1212 for price and delivery.

Zero Duplication or Recommended		Zero Duplication or Recommended		Zero Duplication or Recommended		Zero Duplication or Recommended		
Mfr. No.	Name	Mfr. No.	Name	Mfr. No.	Name	Mfr. No.	Name	
298307068	REX	416332!	298371 ACDEL	471744	298433 ACDEL	415045	2985 ACDEL	455280
298308	ACDEL	471647	298372 ACDEL	472150	298434 ACDEL	415138	29850 ACDEL	8635S
298308968	REX	415379	298373 ACDEL	471224	298435 ACDEL	415066	298500 ACDEL	416158
298309	ACDEL	471648	298374 ACDEL	471808	298437 ACDEL	417273	298501 ACDEL	417247
298309468	REX	417603!	298375 ACDEL	412027	298438 ACDEL	416865	298502 ACDEL	415219
298310	ACDEL	471651	298376 ACDEL	413246	298439 ACDEL	417546	298503 ACDEL	417538
298311	ACDEL	471684	298377 ACDEL	471498	29844 ACDEL	7338N	298504 ACDEL	415234
298312	ACDEL	472951	298378 ACDEL	470390	298440 ACDEL	415072	298505 ACDEL	415303
298313	ACDEL	471688	298379 ACDEL	450621	298441 ACDEL	455073	298506 ACDEL	415263
298314	ACDEL	471689	29838 ACDEL	410496	298442 ACDEL	416476	298507 ACDEL	456305
298315	ACDEL	471705	298380 ACDEL	481073	298443 ACDEL	455079	298508 ACDEL	417605
298316	ACDEL	471733	298381 ACDEL	471570	298444 ACDEL	416239	298509 ACDEL	415725
298317	ACDEL	470712	298382 ACDEL	471737	298445 ACDEL	417487	29851 ACDEL	8750S
298318	ACDEL	471744	298383 ACDEL	471984	298446 ACDEL	415088	298510 ACDEL	416706
298319	ACDEL	471785	298383TA TRSCM	417159	298447 ACDEL	416167	298511 ACDEL	417254
29832	ACDEL	6590S	298384 ACDEL	481397	298448 ACDEL	411376	298512 ACDEL	455280
298320	ACDEL	471787	298385 ACDEL	471466	298449 ACDEL	416271	298513 ACDEL	416364
298321	ACDEL	471795	298386 ACDEL	473203	29845 ACDEL	7354N	298514 ACDEL	415294
298322	ACDEL	473439	298387 ACDEL	473474	298450 ACDEL	411245	298515 ACDEL	415295
298323	ACDEL	472070	298388 ACDEL	473517	298451 ACDEL	415302	298516 ACDEL	417082
298324	ACDEL	450269	298389 ACDEL	481792	298452 ACDEL	455104	298517 ACDEL	417601
298325	ACDEL	450273	29839 ACDEL	417210	298453 ACDEL	415938	298518 ACDEL	476470
298326	ACDEL	474274	298390 ACDEL	471652	298454 ACDEL	417556	298519 ACDEL	455308
298327	ACDEL	471141	298391 ACDEL	470774	298455 ACDEL	416666	29852 ACDEL	8907
298328	ACDEL	472144	298392 ACDEL	472475	298456 ACDEL	417562	298520 ACDEL	455310
298329	ACDEL	472397	298393 ACDEL	471567	298457 ACDEL	416229	298521 ACDEL	415984
29833	ACDEL	6644	298394 ACDEL	471649	298458 ACDEL	455121	298522 ACDEL	417536
298330	ACDEL	473461	298395 ACDEL	471413	298459 ACDEL	417602	298523 ACDEL	455330
298331	ACDEL	450307	298396 ACDEL	451817	29846 ACDEL	7456N	298524 ACDEL	415284
298332	ACDEL	471391	298397 ACDEL	451857	298460 ACDEL	415128	298525 ACDEL	415284
298333	ACDEL	473242	298398 ACDEL	470334	298461 ACDEL	417474	298526 ACDEL	415379
298334	ACDEL	412040	298399 ACDEL	474276	298462 ACDEL	455134	298527 ACDEL	416956
298335	ACDEL	472029	2984 ACDEL	5865	298463 ACDEL	418028	298528 ACDEL	415389
298336	ACDEL	413478	29840 ACDEL	6863S	298464 ACDEL	415142	298529 ACDEL	417350
298337	ACDEL	470605	29840 C-R	710028	298465 ACDEL	455144	29853 ACDEL	9773
298338	ACDEL	450339	298400 ACDEL	417073	298466 ACDEL	417172	298530 ACDEL	415937
298339	ACDEL	450341	298401 ACDEL	415001	298467 ACDEL	415991	298531 ACDEL	417555
29834	ACDEL	470954	298402 ACDEL	415458	298468 ACDEL	415449	298532 ACDEL	415498
298340	ACDEL	450342	298403 ACDEL	417316	298469 ACDEL	417343	298534 ACDEL	415551
298341	ACDEL	474254	298404 ACDEL	455005	29847 ACDEL	7700S	298535 ACDEL	455556
298342	ACDEL	413247	298405 ACDEL	417344	298470 ACDEL	415150	298536 ACDEL	455566
298343	ACDEL	471504	298406 ACDEL	415007	298471 ACDEL	455151	298537 ACDEL	418028
298344	ACDEL	472164	298407 ACDEL	455008	298472 ACDEL	417134	298538 ACDEL	455685
298345	ACDEL	471538	298408 ACDEL	415960	298473 ACDEL	417486	298539 ACDEL	416267
298346	ACDEL	473448	298409 ACDEL	416921	298474 ACDEL	417351	29854 ACDEL	417316
298347	ACDEL	472193	29841 ACDEL	6886S	298475 ACDEL	417621	29854 C-R	100495
298348	ACDEL	472492	298410 ACDEL	416654	298476 ACDEL	417488	29854 C-R	417349 *
298349	ACDEL	473227	298411 ACDEL	415995	298477 ACDEL	417171	298540 ACDEL	416364
29835	ACDEL	6663S	298412 ACDEL	417487	298478 ACDEL	417181	298541 ACDEL	416071
298350	ACDEL	471267	298413 ACDEL	416288	298479 ACDEL	412473	298542 ACDEL	415995
298351	ACDEL	471424	298414 ACDEL	456105	29848 ACDEL	8126S	298543 ACDEL	3016
298352	ACDEL	473442	298415 ACDEL	476470	298480 ACDEL	417191	298545 ACDEL	417530
298353	ACDEL	471539	298416 ACDEL	455019	298481 ACDEL	417492	298546 ACDEL	417191
298354	ACDEL	472299	298417 ACDEL	415021	298482 ACDEL	417196	298547 ACDEL	456744N
298355	ACDEL	471341	298418 ACDEL	455022	298483 ACDEL	415937	298548 ACDEL	472439
298356	ACDEL	450446	298419 ACDEL	415023	298484 ACDEL	417210	298549 ACDEL	470625
298357	ACDEL	471270	29842 ACDEL	471141	298485 ACDEL	417967	298550 ACDEL	471766
298358	ACDEL	473224	29842 C-R	415449	298486 ACDEL	455188	298551 ACDEL	471341
298359	ACDEL	472319	298420 ACDEL	455024	298487 ACDEL	455189	298552 ACDEL	472164
29836	ACDEL	6703S	298421 ACDEL	415025	298488 ACDEL	417357	298553 ACDEL	471267
298360	ACDEL	473440	298422 ACDEL	455026	298489 ACDEL	455194	298554 ACDEL	471466
298361	ACDEL	450463	298423 ACDEL	415027	29849 ACDEL	8370S	298555 ACDEL	470954
298362	ACDEL	450472	298424 ACDEL	415027	298490 ACDEL	472157	298556 ACDEL	471076
298363	ACDEL	450474	298425 ACDEL	416125	298491 ACDEL	415196	298557 ACDEL	471652
298364	ACDEL	471818	298426 ACDEL	416339	298492 ACDEL	455197N	298558 ACDEL	471272
298365	ACDEL	473244	298427 ACDEL	455033	298493 ACDEL	455197N	298559 ACDEL	471571
298366	ACDEL	450492	298428 ACDEL	415034	298494 ACDEL	415196	29856 C-R	100495
298367	ACDEL	471272	298429 ACDEL	415035	298495 ACDEL	416888	29856 C-R	417349
298368	ACDEL	473423	29843 ACDEL	7186S	298496 ACDEL	416888	298560 ACDEL	471413
298369	ACDEL	410524	298430 ACDEL	415036	298497 ACDEL	455203	298561 ACDEL	471737
29837	ACDEL	473229	298431 ACDEL	455037	298498 ACDEL	416137	298562 ACDEL	473238
298370	ACDEL	471689	298432 ACDEL	416891	298499 ACDEL	416154	298563 ACDEL	472397

! Industrial Size/Type * Minor Width Difference

NUMERICAL

Zero Duplication or Recommended		Zero Duplication or Recommended		Zero Duplication or Recommended		Zero Duplication or Recommended					
Mfr. No.	Name	Mfr. No.	Name	Mfr. No.	Name	Mfr. No.	Name				
298564	ACDEL	472324	298654	ACDEL	473471	298717	ACDEL	416891	298782	ACDEL	417316
298565	ACDEL	415458	298655	ACDEL	350156	298718	ACDEL	416921	298783	ACDEL	473473
298566	ACDEL	471442	298656	ACDEL	50254=	298719	ACDEL	417493	298784	ACDEL	417211
298567	ACDEL	472258	298657	ACDEL	50289	29872	ACDEL	471766	298785	ACDEL	471633
298568	ACDEL	480821	298658	ACDEL	50327	29872	C-R	417349!	298786	ACDEL	415867
298569	ACDEL	480844	298659	ACDEL	50462	298720	ACDEL	417563	298787	ACDEL	417608
29857	ACDEL	471224	29866	ACDEL	40410S	298721	ACDEL	471137	298788	ACDEL	473471
29857	C-R	100495	29866	C-R	417349!*	298722	ACDEL	473427	298789	ACDEL	470328
29857	C-R	417349	298660	ACDEL	470606	298723	ACDEL	473475	29879	ACDEL	473415
298570	ACDEL	471076	298661	ACDEL	471276	298724	ACDEL	473425	29879	C-R	417350!
298571	ACDEL	471652	298662	ACDEL	412040	298725	ACDEL	450430	298790	ACDEL	455406
298572	ACDEL	473231	298663	ACDEL	474279N	298726	ACDEL	450482	298791	ACDEL	411376
298573	ACDEL	470380	298664	ACDEL	457585	298727	ACDEL	450516	298792	ACDEL	415725
298574	ACDEL	472015	298665	ACDEL	417298	298728	ACDEL	414268	298793	ACDEL	453279
298575	ACDEL	482069N	298666	ACDEL	415116	298729	ACDEL	450639	298794	ACDEL	470605
298576	ACDEL	472157	298667	ACDEL	455406	298730	ACDEL	450765	298795	ACDEL	474265
298577	ACDEL	415196	298668	ACDEL	417498	298731	ACDEL	471633	298796	ACDEL	473442
29858	ACDEL	40169S	298669	ACDEL	415227	298732	ACDEL	450803	298797	ACDEL	451469
298581	ACDEL	5M89	29867	ACDEL	40468	298733	ACDEL	470806	298798	ACDEL	471734
298584	ACDEL	5M293	29867	C-R	100495	298734	ACDEL	450819	298799	ACDEL	417354
298587	ACDEL	5M466	29867	C-R	476023N	298735	ACDEL	450869	2988	ACDEL	5965
298589	ACDEL	5M559	298670	ACDEL	55228=	298736	ACDEL	471958	29880	ACDEL	471103
298594	ACDEL	5M867	298671	ACDEL	415027	298737	ACDEL	471689	29880	C-R	417350!
29859X	MASSE	417191	298672	ACDEL	55548	298738	ACDEL	451469	298800	ACDEL	417549
29859X	MASSE	455165!	298675	ACDEL	7208S	298739	ACDEL	473016	298801	ACDEL	417555
2986	ACDEL	5877	298678	ACDEL	210914	29874	ACDEL	41013S	298802	ACDEL	470565
29860	C-R	100495	298679	ACDEL	417343	298740	ACDEL	417520	298803	ACDEL	416125
29860	C-R	417349	29868	ACDEL	40520S	298741	ACDEL	415047	298805	ACDEL	471760
298601	ACDEL	1020	29868	C-R	3698	298742	ACDEL	415090	298806	ACDEL	473424
298604	ACDEL	2064	298680	ACDEL	412473	298743	ACDEL	417602	298807	ACDEL	471647
298605	ACDEL	6098=	298681	ACDEL	415725	298744	ACDEL	417604	298808	ACDEL	472951
298609	ACDEL	240385	298683	ACDEL	240435	298746	ACDEL	417354	298809	ACDEL	471567
29861	ACDEL	40328	298684	ACDEL	470530	298747	ACDEL	415187	29881	C-R	417350!
298610	ACDEL	240470	298685	ACDEL	415995	298748	ACDEL	455191	298810	ACDEL	415045
298611	ACDEL	413248	298687	ACDEL	417211	298749	ACDEL	417600	298811	ACDEL	415295
298612	ACDEL	450808	298688	ACDEL	415437	29875	ACDEL	45525S	298812	ACDEL	417278
298614	ACDEL	453510	298689	ACDEL	412473	298750	ACDEL	417278	298813	ACDEL	415937
298615	ACDEL	3136N	29869	ACDEL	40555S	298751	ACDEL	417494	298814	ACDEL	417355
298616	ACDEL	5133	29869	C-R	100495	298752	ACDEL	417549	298815	ACDEL	410825
298617	ACDEL	471141	29869	C-R	417349	298753	ACDEL	415449	298816	ACDEL	417316
29862	ACDEL	40370S	298690	ACDEL	481537	298754	ACDEL	418029	298817	ACDEL	471652
29862	C-R	327995	298691	ACDEL	481163	298754	VICK	330385!	298818	ACDEL	471526
29862	C-R	4307V	298692	ACDEL	473424	298755	ACDEL	455820	298819	ACDEL	471554
29862	C-R	5273	298693	ACDEL	471750	298757	ACDEL	471526	29882	ACDEL	6863S
298620	ACDEL	5971	298694	ACDEL	473215	298758	ACDEL	471554	29882	C-R	417350!
298626	ACDEL	471570	298695	ACDEL	473464	298759	ACDEL	473213	298820	ACDEL	473213
298627	ACDEL	471264	298696	ACDEL	471192	29876	ACDEL	45637S	298821	ACDEL	473242
298628	ACDEL	481443	298697	ACDEL	473466	298760	ACDEL	473215	298822	ACDEL	471210
29863	ACDEL	474276	298698	ACDEL	470605	298761	ACDEL	J712	298823	ACDEL	472354
29863	C-R	100495	298699	ACDEL	473448	298762	ACDEL	417355	298824	ACDEL	416865
29863	C-R	476023N	2987	ACDEL	473228	298764	ACDEL	472409	298825	ACDEL	415227
298631	ACDEL	7639S	29870	ACDEL	40568S	298765	ACDEL	471765	29883	ACDEL	481163
298632	ACDEL	417608	29870	C-R	100495	298766	ACDEL	473468	29884	ACDEL	470328
298633	ACDEL	7973S	29870	C-R	3698	298767	ACDEL	471264	29885	ACDEL	350364
298636	ACDEL	417316	29870	C-R	476023V!=	298768	ACDEL	471267	29885	C-R	417350!
298637	ACDEL	416865	298700	ACDEL	410752	298769	ACDEL	473237	29886	C-R	417350*=
298638	ACDEL	40094S	298701	ACDEL	412119	29877	ACDEL	45825S	29887	ACDEL	330385
298639	ACDEL	40097S	298702	ACDEL	415001	29877	C-R	417350*	29887	C-R	417350!
29864	ACDEL	472354	298703	ACDEL	416288	298770	ACDEL	471649	29888	ACDEL	472354
298640	ACDEL	471765	298704	ACDEL	415023	298771	ACDEL	471765	29889	ACDEL	470409
298641	ACDEL	471647	298705	ACDEL	415302	298772	ACDEL	471835	29889	C-R	417350!
298642	ACDEL	471689	298706	ACDEL	415449	298773	ACDEL	473459	298897	ACF	471821!
298644	ACDEL	330385	298707	ACDEL	417343	298774	ACDEL	472150	2989	ACDEL	415437
298645	ACDEL	40627S=	298709	ACDEL	415379	298775	ACDEL	472258	29890	ACDEL	353132
298649	ACDEL	471224	29871	C-R	417349!	298776	ACDEL	45827S	29890	C-R	417350!
29865	ACDEL	42352S	298710	ACDEL	417357	298777	ACDEL	475348N	29891	ACDEL	450765
29865	C-R	100495	298711	ACDEL	415192N	298778	ACDEL	476023N	29891	C-R	417350
29865	C-R	417349!	298712	ACDEL	417247	298779	ACDEL	416282	298914	ACF	472636!
298650	ACDEL	471267	298713	ACDEL	417433	29878	ACDEL	470004	29892	ACDEL	350435
298651	ACDEL	470954	298714	ACDEL	415960	29878	C-R	417350!	29893	ACDEL	50468
298652	ACDEL	473414	298715	ACDEL	416071	298780	ACDEL	417492	29894	ACDEL	472810
298653	ACDEL	50081	298716	ACDEL	416229	298781	ACDEL	476574N	29894	C-R	417350!

! Industrial Size/Type * Minor Width Difference = Call 1-800-480-1212 for price and delivery.

Zero Duplication or Recommended			Zero Duplication or Recommended			Zero Duplication or Recommended			Zero Duplication or Recommended		
Mfr. No.	Name	Industrial	Mfr. No.	Name	Industrial	Mfr. No.	Name	Industrial	Mfr. No.	Name	Industrial
29895	ACDEL	471344	299210L	C-R	471504!	29943	C-R	415995	29970	C-R	415995!
29896	ACDEL	471887	29922	ACDEL	417505	29944	ACDEL	370107A	29971	C-R	415995!
29896	C-R	455509	29922	C-R	473466	29945	ACDEL	370036A	29971-80050	GARLK	223843
29897	ACDEL	471276	29922M1	C-R	473466	29945	ACDEL	370338A	29971-80050	SUZUK	38X60X10
298970	ACF	417267	29923	ACDEL	386025A	29946	ACDEL	370349A	299713	BUC-E	472157!
29898	ACDEL	470954	29923	ACDEL	416158	29946	ACDEL	415058	299713	BUC-E	472157
29899	ACDEL	480889	29923	C-R	415995!	29947	C-R	415995!	29974	C-R	415995!
29899	C-R	453182	29924	ACDEL	370026A	29948	ACDEL	376590A	299747R91	IH	450084!
298AMM2	C-R	470530!	29924	C-R	473467	29949	ACDEL	416865	29975	C-R	415995!
298AW28	C-R	471341!	29924M1	C-R	473467	29949	C-R	415995 =	2998	ACDEL	370007A
298B124	C-R	473448	29925	ACDEL	370027A	299492R1	IH	J825 =	2998	ALLCH	471689!
298B2	C-R	470530!	29925	C-R	415995!*	299493R91	IH	455282N =	2998	TRAC	471689!
298C2	C-R	470530!	29925	C-R	415995!	299494R91	IH	455053N =	29980	C-R	417351!
298F124	C-R	5711	29926	ACDEL	416865	299495R91	IH	455053N =	29980-4465	GARLK	3459
298FF123-L	C-R	6101	29926	C-R	472234	2995	ACDEL	370004A	299808038	GARLK	450400
298FF124-L	C-R	473448	29926M1	C-R	472234	29950	ACDEL	370086A	299808062	GARLK	415284
298HD128	C-R	203034	29927	ACDEL	370029A	29950	C-R	415995!	29985	C-R	417351!
299-6	ACDEL	370005A	29927	C-R	415995!	2995000	ACDEL	AR1	29986	C-R	417351!
29902	C-R	415995!	29928	ACDEL	370030A	2995001	ACDEL	AR2	2999	ACDEL	370008A
29906	C-R	415995!	29928	C-R	471341!	2995002	ACDEL	AR4	29990-0480	GARLK	473241
29907	C-R	415995!	29928M1	C-R	471341!	2995003	ACDEL	AR5	29996	C-R	417351!
29908	C-R	415995!	29929	ACDEL	415058	2995004	ACDEL	AR6	29997	C-R	417351!
29908	C-R	415995!	29929	C-R	415995!	2995005	ACDEL	AR7	299978	ACF	472560N
29909	C-R	415995!	2992K	CLARK	470530!	2995006	ACDEL	AR8	29998	C-R	417351!
29910	ACDEL	417506	2992M1	C-R	470530!	2995007	ACDEL	AR10	299A2	C-R	470530
29910	C-R	415995!	2993	ACDEL	370002A	2995008	ACDEL	AR11	299A28	C-R	471341!
29910	C-R	415995!	29930	ACDEL	370033A	2995009	ACDEL	AR12	299AMM2	C-R	470530!
29911	ACDEL	417134	29930	C-R	415995!	2995010	ACDEL	AR20	299B124	C-R	473448*
29911	C-R	415995!	29931	ACDEL	370034A	29951	ACDEL	370094A	299B2	C-R	470530!
29911	C-R	415995!	29931	JOHND	473214	29951	C-R	415995!	299BBM24-L	C-R	473467
299110	C-R	450147	29932	ACDEL	370036A	29952	ACDEL	370121A	299C2	C-R	470530!
299116	C-R	450326	29932	ACDEL	370349A	29952	C-R	415995*	299CHA-2	C-R	470530!
29912	ACDEL	370011A	29932	C-R	415995!	29952	C-R	415995!	299F2	C-R	470530!
29912	C-R	415995!	29933	ACDEL	370037A	29953	ACDEL	370124A	299F22	C-R	473466
29912	C-R	415995 =	29933	ACDEL	370211A	299539	BR-ST	471733	299F24	C-R	473467!
29912	C-R	415995! =	29933	C-R	415995!	29956	C-R	45013S	299F28	C-R	471341!
299120	C-R	450415	29934	ACDEL	370043A	29958	C-R	415995!	299FF124	C-R	473448*
299124	C-R	473448	29935	ACDEL	370046A	29959	C-R	415995!	299FF128	C-R	203034*
299124M1	C-R	473448	29935	C-R	415995!	299594	ACF	481644	299FL2-M1	C-R	470530!
299128	C-R	450084!	29935	C-R	415995	2996012	ACDEL	HU031A	299FL2-M2	C-R	470530!
299128	FAIRB	450084!	29936	ACDEL	370047A	2996018	ACDEL	HU057A	299FM124	C-R	471984*
299128M1	C-R	450084!	29937	C-R	415995	2996021	ACDEL	HU065A	299FM2	C-R	470530!
29913	ACDEL	370012A	29937	C-R	415995!	2996022	ACDEL	H075	299FM22	C-R	473466
29913	C-R	415995!	29938	ACDEL	370054A	2996028	ACDEL	HU003A	299FM28	C-R	471341!
29913	C-R	415995	29938	C-R	415995!	2996029	ACDEL	HU005A	299G2	C-R	40085S
299130	C-R	473460	29938	C-R	415995	2996030	ACDEL	HU007A	299H128-T8	C-R	450084!
299130	GR-DV	473460	29939	ACDEL	370057A	2996031	ACDEL	HU008A	299H24	C-R	473467
299130	JA-MI	473460	2994	ACDEL	370003A	2996032	ACDEL	HU009A	299MA2-L	C-R	470530!
299130	JAE	473460	29940	ACDEL	370065A	2996033	ACDEL	HU011A	299N2	C-R	470530!
299130M1	C-R	473460	29940	GARLK	411330!	2996034	ACDEL	HU012A	299W120	C-R	450415
299131	C-R	50528	29940-0133	GARLK	5124	2996035	ACDEL	HU013A	299W128	C-R	450084!
299131M1	C-R	50528	29940-0300	GARLK	5121	2996036	ACDEL	HU014A	299W128-M1	C-R	450084!
29914	ACDEL	417172	29940-0412	GARLK	710005	2996037	ACDEL	HU019A	299W130	C-R	473460
29915	ACDEL	370015A	29940-0415	GARLK	710005	2996038	ACDEL	HU024A	299W130-M1	C-R	473460
29915	ALLCH	417316!	29940-0445	GARLK	3173	2996039	ACDEL	HU028A	299W2	C-R	470530!
29916	ACDEL	418028	29940-0453	GARLK	710046	2996041	ACDEL	HU034A	299W2-M1	C-R	470530!
29916	C-R	415995!	29940-0458	GARLK	8312	2996042	ACDEL	HU036A	299W212	C-R	470764
29916	C-R	415995	29940-0503	PREC	710091	2996043	ACDEL	HU042A	299W212	C-R	50764
29917	ACDEL	370019A	29940-4177	GARLK	9449	2996044	ACDEL	HU044A	299W22	C-R	473466
29918	ACDEL	370020A	29940-4415	GARLK	710005	2996045	ACDEL	HU110A	299W22-M1	C-R	473466
29919	ACDEL	370021A	29940-4445	GARLK	3173	2996047	ACDEL	HU058A	299W24	C-R	473467
29919	C-R	415995!	29940-4453	GARLK	710046	2996048	ACDEL	HU066A	299W24-M1	C-R	473467
2992	ACDEL	370001A	29940-8055	GARLK	411330!	2996049	ACDEL	HU110A	299W26	C-R	472234
2992	ACDEL	380001A	29940-8056	GARLK	477069	299609	BR-ST	472475	299W27	C-R	472234
2992	C-R	470530!	299404435	GARLK	472572	29961	C-R	415995	299W28	C-R	471341!
2992	FAIRB	470530!	29941	ACDEL	417507	29962	C-R	45013S	299WL2-M1	C-R	470530!
2992	GR-DV	470530!	29941	C-R	415995	2996200	ACDEL	B299	29B7159	FORD	472015!
29920	ACDEL	416892	29941	C-R	415995!	2996201	ACDEL	B300	299QJ-2931J	MACK	370021A
29920	C-R	415995!	29942	ACDEL	370069A	2996202	ACDEL	B300	29X49219	GWJ	471141!
29920	C-R	415995	29942	ACDEL	380065A	29967	C-R	415995	29X50096V	GWJ	471466!
29921	ACDEL	370023A	29943	ACDEL	370106A	29968	C-R	45013S	29X60497	GWJ	50468
29921	C-R	415995!	29943	C-R	415995!	2997	ACDEL	370006A	29X60725V	GWJ	472439

! Industrial Size/Type * Minor Width Difference = Call 1-800-480-1212 for price and delivery.

NUMERICAL

Zero Duplication or Recommended		Zero Duplication or Recommended		Zero Duplication or Recommended		Zero Duplication or Recommended					
Mfr. No.	Name Industrial	Mfr. No.	Name Industrial	Mfr. No.	Name Industrial	Mfr. No.	Name Industrial				
29X60725V	KEN	472439	2F9560	MURRA	455146!	2K9059	CATER	416476!	3-SPC22	NOVO	474264
29X60777	ALLCH	473462	2F9560	NATEN	415991	2K9150	CATER	417316	3-Y393	KEN	471141!
29X60777	GW	473462	2F9560	NATEN	455146!	2L1016	HU-WR	417546!	3-Y569	KEN	472409!
29X60777	IH	473462	2F9760	CATER	471762!	2L1047	HU-WR	417357	300	UNIVE	417487
29X60777	MACK	473462	2FB138	WHITE	411500	2L1047	HU-WR	455192!	300-463-1	SPICE	711552
29X60981	GW	417486	2FT90	OSHKO	415991	2L1392	HU-WR	417357	30000	C-R	417351!
2A134	CATER	415066	2H1663	CATER	471785!	2L8635	CATER	471281!	300004	CURTS	471224!
2A1614	CATER	416738!	2H1746	CATER	471413	2LA-0662	WHITE	471554!	300007	H-S	450593!
2A1614	CATER	450096	2H2212	CATER	330385!	2LG6700	FORD	350936	30001	C-R	417351!
2A1983	CATER	415458!	2H3823	CATER	473462	2M482	FMC	415449!	30003	JN-MN	730004
2A3688	CATER	473464	2H3823	TRACN	473462	2M5965	CATER	416624	300064	CATER	J1141
2A3688	CATER	473464	2H3824	CATER	415001!	2M7316	CATER	471466!	300064	TMTR	J1141
2A3688	WESTR	473464!	2H3830	CATER	471141!	2M7316	FI-AL	471466!	300066	CATER	473232!
2A3688	WESTR	473464	2H3830	TRACN	471141!	2M8216	CATER	474281!	300066	TMTR	473232!
2A4262	CATER	474281!	2H3843	CATER	470898	2M8675	CATER	471649!	300067	CATER	473224!
2A4547	CATER	450535	2H3843	TRACN	470898	2N4251	FORD	417316!	30006767	GMC	1188
2A4547	CATER	471264!	2H3844	CATER	473227	2N4251X	FORD	417316!	30006767	GMC	4904
2A4575	CATER	473446	2H3846	CATER	472157!	2P3857	CATER	J1880* =	30007	C-R	100495
2A5113	CATER	471570!	2H3846	CATER	472157	2P3858	CATER	J1825	30007	C-R	4810V!
2A5215	CATER	473225!	2H3846	TRACN	472157!	2P3859	CATER	J1780	3000770	HYST	473237!
2A5285	CATER	471530	2H3846	TRACN	472157	2P8423	CATER	471138!	300078	O-M	481443!
2A6475	ROCKW	417316!	2H3847	CATER	413247!	2PS396	C-P	472572!	300079	CURTS	472179
2A939	AU-WS	1873	2H3847	TRACN	413247!	2QA6700	FORD	350936	30008139	ALLCH	45013S
2B1869	CATER	470950!	2H3848	CATER	415234!	2R0299	CATER	415379	300087	CURTS	472258!
2B1869	CATER	6241S	2H3848	TRACN	415234!	2R2677	CATER	472185!	30009	JN-MN	733067
2B2589	CATER	417073	2H3849	CATER	415379	2R299	CATER	415379	30009	SPG	471466!
2B3544	CATER	416738!	2H3849	CATER	415379!	2R312	MOHWK	3591	3000975	CUMMI	472409
2B3544	CATER	450096	2H3850	CATER	472016	2R759	CATER	471554	3000976	CUMMI	505669
2B3883	CATER	415263	2H3851	CATER	417191	2R7647	CATER	415369H =	3000977	CUMMI	39705
2B40	WHITE	415458!	2H3851	CATER	455165!	2R7648	CATER	417487 =	30010	C-R	417351!
2B50	CATER	471570!	2H3853	CATER	455290	2R8416	CATER	415389 =	30011	C-R	417351!
2B6005	CATER	415995!	2H3910	CATER	473448	2S1076	CATER	472636!	300111	C-W	471612
2B6005	WESTR	415995!	2H3910	TRACN	473448	2S2077	CATER	471195!	300111	CURTS	471612
2B6040	CATER	476838!	2H3911	CATER	418028	2S2078	CATER	470565 =	3001138	CUMMI	39701
2B6040	WESTR	476838!	2H3911	CATER	455137!	2S2376	CATER	471504!	300124	C-R	471984
2B8836	CATER	476470	2H3912	CATER	471391!	2S2680	CATER	415995!	300124M1	C-R	471984
2BL-01268	WHITE	45637S	2H3912	TRACN	471391!	2S5867	CATER	470625	300128	C-R	473239
2C108	NOVO	450129	2H3913	CATER	417073	2SB155	WHITE	473228	300128M1	C-R	473239
2C108	NOVO	472826!	2H3915	CATER	323138!	2SB415	WHITE	415001!	300130	C-R	472394
2C67	WHITE	471466!	2H3917	CATER	471413	2SD46	WHITE	481864	300130	GR-DV	472394
2C67P	NATSU	471466!	2H3918	CATER	410825	2SD62	WHITE	472924!	300130M1	C-R	472394
2D1157	CATER	415137!	2H3919	CATER	471272!	2SPC22A	NOVO	471689!	30013272	GMC	710394
2D1157	CATER	418028	2H4403	LEYLD	471689!	2T0340	JNSON	J1105	300137	CURTS	472397!
2D1521	CATER	471571	2H4500	LEYLD	1020	2T340	CATER	J1105	30014404	TROS	471981
2D17341	GMC	50327	2H4659	LEYLD	416664!	2UU-069	WHITE	473179	300145	CURTS	470806
2D186	WHITE	470334!	2H5021	CATER	471689!	2UU-0962	WHITE	473179	30015	C-R	7338N
2D191	WHITE	417073	2H6250	CATER	450084!	2UU0621	WHITE	471689!	300151R92	IH	415035 =
2D2930	CATER	473210	2H9298	CATER	472354!	2UUA-0962	WHITE	471192	30015206	TROS	7044NA
2D300	WHITE	413469!	2J1307	CATER	416364!	2UV-0962	WHITE	473179	30015608	TROS	473239
2D5652	CATER	472397!	2J1411	CATER	710011	2UV0662	WHITE	471689!	300160	CURTS	471224!
2D599	CATER	471688	2J1746	CATER	471413	2V9405	CATER	3276* =	30016005	TROS	472394
2D61	WHITE	473458!	2J2631	CATER	417546!	2W1733	CATER	39887	30016008	TROS	472394
2D639	WHITE	413469!	2J6305	CATER	7184 =	2W1734	CATER	39888	30016010	TROS	472394
2D640	WHITE	473462	2J7426	CATER	415295	2XE446	PARGN	471570!	3001771	CUMMI	5223
2D757	WHITE	473462	2J8333	CATER	471224!	2XE446A	PARGN	472924!	3001772	CUMMI	39823
2D8540	CATER	415035!	2J8952	CATER	417596	3-002403	CALI	415234!	300178	CURTS	473214!
2D9469	CATER	417316 =	2J9472	CATER	240816	3-014300	CALI	470354	30018130	GMC	710394
2D9870	CATER	471733	2JG12	KEN	470059	3-037500	CALI	415034!	300186	CURTS	470625!
2E392520227	IH	471567!	2JG12	KEN	470380!	3-055600	CALI	455536	300194	CURTS	471413!
2E3925207	IH	416654!	2JG20	KEN	417316 =	3-056600	CALI	417433	3002	ALLCH	472397!
2EP40M317343	CINMI	410496!	2JG39	KEN	416654	3-056800	CALI	415036	3002	BUC-E	472397!
2F3723	CATER	471103!	2JG41	KEN	417484!	3-056802	CALI	415036	3002	C-R	472397!
2F5885	CATER	415085!	2K1382	CATER	456890	3-057000	CALI	416892!	3002	CABOT	472397!
2F5885	CATER	456648	2K1382	TRACN	456890	3-057800	CALI	7354N	30020004	TROS	472397!
2F6678	CATER	471231!	2K1383	CATER	417254	3-066600	CALI	412943	30020006	TROS	472397!
2F6781	CATER	350435	2K1383	TRACN	417254	3-066800	CALI	416008	30020008	TROS	472397!
2F6782	CATER	472705!	2K1384	TRACN	416865!	3-067000	CALI	416107!	30020405	TROS	6954S
2F687	MTR-C	J1128	2K3881	CATER	471267!	3-067000	CALI	455073	300207BGO	SPG	300207
2F7426	CATER	471281!	2K4816	CATER	471529	3-075100	CALI	415294!	30020805C	TROS	8430S
2F8200	CATER	472185!	2K6983	CATER	450307	3-228	TW-CO	417507	30020808	TROS	472015!
2F9538	MURRA	55218 =	2K7140	LEYLD	1110	3-228	TW-CO	417507!	30020936	GMC	710522
2F9560	MURRA	415991	2K8047	CATER	416921!	3-4-783	SPICE	472397!	300210BG3	SPG	300210

! Industrial Size/Type * Minor Width Difference = Call 1-800-480-1212 for price and delivery.

Zero Duplication or Recommended		Zero Duplication or Recommended		Zero Duplication or Recommended		Zero Duplication or Recommended		
Mfr. No.	Name	Mfr. No.	Name	Mfr. No.	Name	Mfr. No.	Name	
30021203.5	TROS	9195S=	3004316 CUMMI	472409	30085 SPG	470530!	301017 TMTR	J1130
30021607	TROS	471272!	3004316 CUSH	472409	3008506LPD JN-MN	417488!	30101N SPG	412119
30021608	TROS	471272!	3004317 CUMMI	415937	30087 C-R	415088	30102 JOHND	472354!
30022 C-R		472012	300437 UNIVE	417488!	30087 C-R	415088!	301028R91 IH	416404!
30022004	TROS	442874	300438 MICH	417488!	30089 C-R	415088	301032R91 IH	416664!
30022106.5	TROS	3945	3004546 HYST	447793	30089 C-R	415088!	3010457 CUMMI	417621
300221X06.5	TROS	3945	3004548 HYST	J1141	30090 C-R	415088	3010459 CUMMI	39837
300221X06.5C	TROS	3945	3004726 HYST	416557	300916 WHITE	472636!	3010462 CUMMI	39817
300228	CURTS	471958	3004731 HYST	415458!	30095 C-R	415088*	3010463 CUMMI	39817
30022M1	C-R	472012	3004786 HYST	474272	30096 C-R	415088	3010464 CUMMI	99311
30023 C-R		417487	3004787 HYST	415389	30096 C-R	415088!	3010465 CUMMI	99367
300230	GR-DV	416654!	3004790 HYST	471272!	3009625 CUMMI	470954	301048 C-R	200133
30023204	TROS	40555	3004795 HYST	325940=	30097 C-R	415088!	3010945 CUMMI	314259!
30023204	TROS	40555S!	30049 C-R	417487*	30097 C-R	415088	30110PN3006 ACURA	427RR
3002356	CUMMI	39827	30049 C-R	417487	30098 C-R	415088*	30112 C-R	55548
300235601	CUMMI	39827	300491 CURTS	417160	30099 SPG	411253!	30113 C-R	455820
30023667	GMC	710522	3004985 HYST	472157	300A15604 TROS	450084!	30116 C-R	455019!*
30024 C-R		472015!	300499 UNIVE	455019!*	300A15607.75 TROS	450084!	30117 C-R	455019!*
30024 CABOT		472015!	300500 MICH	455019!	300A15608 TROS	450084!	301177C91 IH	417484!
30024 GEHL		472015!	3005041 GWI	412871!	300A15610 TROS	450084!	301181 HYST	470954!
3002400	CALI	415234!	30055 C-R	417487!*	300A15610.5 TROS	450084!	30121 GEM	480210!
300244	C-W	412861	30055 C-R	417487	300A16008 TROS	473460	301210 CLARK	417267
300244	CURTS	412861	30055 SPG	473215!	300A2 C-R	470530!	301211 CLARK	45827S
30024B63	CABOT	472015!	3005592 HYST	227550	300A20006 TROS	470530!	30123 C-R	455019!*
30024M1	C-R	472015!	30057 C-R	417487!	300A20008 TROS	470530!	301234C OLIVE	471224!
30025 C-R		417487	3005885 CUMMI	39715	300A20010.5 TROS	470530!	301234E MINNM	471224!
30026 C-R		472018	3005887 CUMMI	39815	300A20012 TROS	470530!	301234E OLIVE	471224!
300269	CURTS	455019!	3005887 CUMMI	5223	300A20808 TROS	473467	30125 C-R	455019!*
30026M1	C-R	472018*	30059 SPG	470380!	300A20812 TROS	473467!	301257 CLARK	418029!
30026Q6	C-R	472018*	3005OS JN-MN	416921!	300A21208 TROS	472234	30128 SPICE	50402
30027 C-R		417487!	30060 C-R	415962!*	300A21607 TROS	471341!	3012898 GWI	416476!
30027 C-R		417487!	30060 GARLK	471442!	300A21608 TROS	471341!	30129 C-R	455019!
30027 MALL		471224!	30061 ALLCH	417171!	300A21612 TROS	471341!	30130 C-R	455019!
30027 SPG		471554!	30061 C-R	417487	300AM2 C-R	470530!	301317 WHITE	418028
30028 C-R		471272!	3006236 CUMMI	99437	300B130 C-R	472394	301317 WHITE	455137!
300285	CURTS	473228!	3006237 CUMMI	99601	300B15606 TROS	6547	30131718 ALLCH	415960
30028M1	C-R	471272!	30064 C-R	415962	300C14708 TROS	6818	301331R91 IH	352541
3002M1	C-R	472397!	3006557 CUMMI	99210	300F28 C-R	471272!	301332R91 IH	352541
30031 C-R		417487	30066 SPG	473367	300FM124 C-R	471984*	301333R91 IH	352541
30031 C-R		417487!	3006642 GWI	471141!	300FM28 C-R	471272!	3013347 CUMMI	944379
300319	CURTS	471744!	30067 C-R	417488!	300G126 C-R	40555	301334R91 IH	472179
3003239	CUMMI	JX1158=	30067 SPG	473228!	300G126 C-R	40555S!	301335R91 IH	470712!
3003272	HYST	442507	3006736 CUMMI	415937	300G2 C-R	40301S	30135 SPG	471192
30033 C-R		417487	3006737 CUMMI	39807	300G28 C-R	40520S	301351 CLARK	473227
3003353	CUMMI	39713	3006738 CUMMI	39823	300HM216 C-R	40555	301352 CLARK	471649!
3003353	HYST	40566S	3006739 CUMMI	39723	300HM216 C-R	40555S!	30140 C-R	712000
300343	CURTS	473197	3006740 CUMMI	99399	300N130 C-R	472394	3014302 CALI	470354
30035 C-R		417487!	3006741 CUMMI	99475	300N24 C-R	472015!*	30143796 ALLCH	416282
30035 C-R		417487	3006742 CUMMI	99362	300RC SUL	416107!	30144 C-R	3592
3003572	HYST	40433S	3006743 CUMMI	99599	300RC SUL	455073	30144349 ALLCH	415725!
30036 C-R		417487	3006744 CUMMI	99372	300W120 C-R	414268!	30145 C-R	100263
30037 C-R		417487	30068 C-R	417488!	300W124 C-R	471984	30145 C-R	3905
3003862	HYST	493524	30069 SPG	473232!	300W124-M1 C-R	471984	30147 C-R	710008
300387	UNIVE	417350!	30070 C-R	417488!	300W128 C-R	473239	30148 C-R	710008
3003877	CUMMI	39705	30070 SPG	472185!	300W128-M1 C-R	473239	301487 O-M	471264!
3003878	CUMMI	39701	30071021 ALLCH	415449!	300W130 C-R	472394	301495 AMC	240009
300388	MICH	417350!	30071609 ALLCH	472924!	300W130-M1 C-R	472394	30150 MICH	471571
3004	LABEQ	473454	30072 GARLK	471526!	300W2 C-R	472397!	30153 C-R	100263
30040 C-R		417487	30073886 ALLCH	473460	300W2-M1 C-R	472397!	30153 C-R	4562V
300400	CURTS	471424!	3007466 GWI	473215!	300W22-M1 C-R	472012	301532R1 IH	472164!
300400	MICH	415995!	3007497 ALLCH	415498	300W24-M1 C-R	472015!	301532R91 IH	472164!
300400	UNIVE	415995!	30074975 ALLCH	415498	300WL130-M1 C-R	472394	301569C91 IH	416500
300412	UNIVE	417351!	3007498 ALLCH	450143	300WL24-M1 C-R	472015!	3016 TIMKE	3016
300413	MICH	417351!	30076 C-R	417488!*	301-SA477 B-L-H	55228=	30162 MICH	471647
300424	UNIVE	417487	30077 GWI	450065	301-SA799 B-L-H	455008	30162 UNIVE	471647
300425	MICH	417487	3007723 ALLCH	450313	30100 C-R	415088	30163 SPG	471766!
3004256	HYST	413247!	30078 C-R	417488!	301013 CATER	472164!	3016660 CUMMI	36384
3004257	HYST	451160N=	30081 GARLK	471472!	301013 TMTR	472164!	3016788 CUMMI	470898
3004302	HYST	474254	30083 C-R	415088	301014R91 IH	470506!	3016789 CUMMI	470898
3004303	HYST	473439	30083S SPG	472924!	30101695 ALLCH	416556!	3016792 CUMMI	39849
3004306	HYST	40438S	30084 C-R	415088	30101695 ALLCH	472157	3016793 CUMMI	39701
3004307	HYST	471765!	300845C91 IH	3894V	301017 CATER	J1130	3016794 CUMMI	473517

! Industrial Size/Type * Minor Width Difference = Call 1-800-480-1212 for price and delivery.

Zero Duplication or Recommended Industrial			Zero Duplication or Recommended Industrial			Zero Duplication or Recommended Industrial			Zero Duplication or Recommended Industrial		
Mfr. No.	Name		Mfr. No.	Name		Mfr. No.	Name		Mfr. No.	Name	
30168	UNIVE	50419*	301SE262	B-L-H	415551	301SP650	CLARK	455146!	302425	UNIVE	455015
3016S	SPG	3016	301SE347	B-L-H	417556	301SR162	B-L-H	416654!	302459R91	IH	471224!
30170344	ALLCH	415991	301SE347	CLARK	417556	301SR175	B-L-H	415090	30246201	ALLCH	412119
30170344	ALLCH	455146!	301SE477	B-L-H	55030	301SR175	CLARK	415090	30246458	ALLCH	472439
30173	SPICE	40185	301SE522	B-L-H	472185!	301SR262	B-L-H	472560N!	30246540	ALLCH	417967!
301732	SPICE	40185	301SF175	B-L-H	417020	301SR347	B-L-H	473225!	30246920	ALLCH	473238
301733	SPICE	40185	301SF262	B-L-H	415072	301SR477	B-L-H	473313	30247290	ALLCH	455330!
30175	MICH	472951	301SF347	B-L-H	470605!	301SR522	B-L-H	415995!	302495	O-M	471264!
30175	MICH	474252	301SF347	CLARK	470605!	301SS162	B-L-H	416332!	30240S	JN-MN	471763*
30175	UNIVE	472951	301SF477	B-L-H	455462	301SS175	B-L-H	415437	302500	MICH	455020
30175	UNIVE	474252	301SF522	B-L-H	415482	301SS175	B-L-H	415437!	302564	O-M	481443!
30182	UNIVE	450039	301SF541	B-L-H	415991	301SS262	B-L-H	416107!	30250S	JN-MN	471766!
30183	MICH	450339	301SF541	B-L-H	415991!	301SS262	B-L-H	455073	3026	CLIN	254287
30183N	SPG	472179	301SF650	B-L-H	416892!	301SS262	CLARK	416107!	302640	CLARK	411376!
30184345	ALLCH	415379!	301SH175	B-L-H	415001!	301SS262	CLARK	455073	30260S	JN-MN	473212!
30184345	ALLCH	415379!	301SH262	B-L-H	55242	301SS347	B-L-H	416892!	302765	CUMMI	39877
3018584	B-L-H	415551	301SH347	B-L-H	415007	301SS477	B-L-H	415449!	3027680	CUMMI	39879
301917	O-M	427RR	301SH347	CLARK	415007	301SS522	B-L-H	415077	30277	SPICE	6808N
301923R91	IH	415991	301SH477	B-L-H	415036	301ST175	B-L-H	415379!	30277099	ALLCH	417316=
301923R91	IH	415991!	301SH522	CLARK	455330!	301ST175	B-L-H	415379	30270S	JN-MN	473010
3019600	CUMMI	39867	301SH650	B-L-H	417543	301ST262	B-L-H	417273	3028	NATL	473179
30199	WAYNE	470409!	301SJ175	B-L-H	472157!	301ST347	B-L-H	473238	302825E	OLIVE	471554!
30199	WAYNE	50409	301SJ175	B-L-H	472157	301ST477	B-L-H	417538	30283	PEERC	473016!
301991	O-M	340787	301SJ175	CLARK	472157	301ST477	CLARK	417538	30283	SPG	473179!
301B2	C-R	472397!	301SJ175	CLARK	472157!	301ST522	CLARK	55333=	302837	PEERC	472179
301B24	C-R	472015!	301SJ262	B-L-H	415645!	301SU162	B-L-H	416666	3028697	ALLCH	410308
301SA162	B-L-H	415116	301SJ262	B-L-H	455104	301SU175	B-L-H	415960!	30286975	ALLCH	410308
301SA175	B-L-H	417562	301SJ347	B-L-H	416077	301SU262	B-L-H	471341!	30287403	ALLCH	471224!
301SA175	CLARK	417562	301SJ347	CLARK	416077	301SU347	B-L-H	55268	30280S	JN-MN	473444
301SA262	B-L-H	416865!	301SJ477	B-L-H	471647	301SU347	CLARK	55268	302912R91	IH	415437!
301SA347	B-L-H	417210!	301SJ522	CLARK	55239=	301SU477	B-L-H	417492	302913R91	IH	455040N=
301SA485	B-L-H	340413	301SJ650	B-L-H	417606	301SU522	B-L-H	417298	302957	GWI	323138!
301SA521	B-L-H	415995!	301SK175	B-L-H	416364!	301SU650	B-L-H	473444	30290S	JN-MN	472572!
301SA522	B-L-H	416239!	301SK175	CLARK	416364!	301W126	C-R	7044NA	302G128	C-R	6547
301SA522	CLARK	416239!	301SK262	B-L-H	455584	301Z128	C-R	473239	302G22	C-R	6954S
301SA650	B-L-H	455019!	301SK347	B-L-H	415991	301Z22	C-R	472397!	30300S	SPG	472394
301SA822	B-L-H	J1136	301SK347	B-L-H	455146!	302	UNIVE	417171!	30301	SPG	472397!
301SB162	B-L-H	417602!	301SK347	CLARK	415991	302002426	WHITE	472164!	303026477	WHITE	416229
301SB175	B-L-H	416891!	301SK347	CLARK	455146!	302002442	WHITE	473237!	303067785	WHITE	416404!
301SB175	CLARK	416891!	301SK477	B-L-H	417512	302002698	WHITE	472164!	303076520	WHITE	472179
301SB262	B-L-H	476470	301SK522	B-L-H	417601	30201	GARLK	471466!	303078124	WHITE	472439
301SB347	B-L-H	417567	301SK522	CLARK	417601	302012	CLARK	471442!	30308	NATL	410308
301SB347	CLARK	417567	301SK650	B-L-H	416476!	3020182	CUMMI	39705	30300S	JN-MN	473236!
301SB477	B-L-H	472924!	301SK650	CLARK	416476!	3020183	CUMMI	415937	303104478	WHITE	4717357
301SB485	B-L-H	340927	301SL162	B-L-H	417600	3020184	CUMMI	39723	303113221	WHITE	240733
301SB485	CLARK	340927	301SL175	B-L-H	416229	3020185	CUMMI	472409	303119351	WHITE	471652!
301SC162	B-L-H	417158!	301SL175	CLARK	416229	3020187	CUMMI	472409	303119351	WHITE	471652
301SC175	B-L-H	415027	301SL262	B-L-H	416125!	3020188	CUMMI	50569	303131173	WHITE	471272
301SC175	B-L-H	415027!	301SL262	CLARK	416125!	3020190	CUMMI	50568	303134008	WHITE	417254
301SC175	CLARK	415027	301SL347	B-L-H	473460	3020191	CUMMI	39723	3031445	CUMMI	39867
301SC175	CLARK	415027!	301SL477	B-L-H	471413	3020546	CUMMI	417621	3031446	CUMMI	39875
301SC262	B-L-H	415867	301SL522	B-L-H	417549!	3020547	CUMMI	39817	30318	STN-S	470954
301SC347	B-L-H	471766!	301SM175	B-L-H	415124	30208	CHERY	471765!	303189	REX	470625!
301SC477	B-L-H	415023	301SM175	CLARK	415124	302088	CLARK	471413	3031A	DURA	471231!
301SC485	B-L-H	340787	301SM262	B-L-H	412473!	30210538	ALLCH	471224!	3031AA	DURA	473236!
301SC485	CLARK	340787	301SM347	B-L-H	417596	30210652	ALLCH	417344=	3031BB	DURA	471267!
301SC522	B-L-H	415187	301SM477	B-L-H	471424!	30213	GARLK	471264!	3031D	DURA	450039
301SC541	B-L-H	416288!	301SM522	CLARK	417605	3022	PEERC	472705!	3031F	DURA	471649!
301SC983	CLARK	415725!	301SM650	B-L-H	417196!	3022043	ALLCH	415960	3031J	DURA	476838!
301SD162	B-L-H	455576!	301SN175	B-L-H	473228	302232R91	IH	472560N	3031K	CASE	471763
301SD162	CLARK	455576!	301SN262	B-L-H	412119!	302238	CLARK	471192	3031K	DURA	471765!
301SD175	B-L-H	416345!	301SN477	B-L-H	457585	30225	GARLK	471255!	3031N	DURA	471766!
301SD175	B-L-H	455033	301SN522	CLARK	471191	302292E	OLIVE	471692!	3031T	CASE	473010
301SD175	CLARK	416345!	301SN522	CLARK	456585	302293E	OLIVE	473231!	3031T	DURA	473234
301SD175	CLARK	455033	301SO522	B-L-H	415187	30220S	JN-MN	471255!	3031W	CASE	472185!
301SD262	B-L-H	415938	301SP175	B-L-H	416888!	30237	GARLK	471564	3031W	DURA	40071S
301SD347	B-L-H	416339	301SP175	CLARK	416888!	3023867	CUMMI	39825	3031WA	OSHKO	415960
301SD347	B-L-H	455031!	301SP262	B-L-H	415196!	302386701	CUMMI	39825	3031Z	DURA	473016!
301SD477	B-L-H	471646!	301SP262	CLARK	415196!	30230S	JN-MN	471762!	3032012	CUMMI	37586
301SD485	B-L-H	340356	301SP347	B-L-H	472144!	302412	UNIVE	55155=	3032013	CUMMI	37586
301SD485	CLARK	340356	301SP347	CLARK	472144!	302413	MICH	55155=	303217C91	IH	40185
301SE175	B-L-H	415116	301SP650	CLARK	415991	302425	MICH	455015	303223795	WHITE	472636!

! Industrial Size/Type * Minor Width Difference = Call 1-800-480-1212 for price and delivery.

Zero Duplication or Recommended		Zero Duplication or Recommended		Zero Duplication or Recommended		Zero Duplication or Recommended		
Mfr. No.	Name	Mfr. No.	Name	Mfr. No.	Name	Mfr. No.	Name	
303228738	WHITE	415960	30404 STAR	J1106	304720R1 NAVST	420	30585 PEERC	418028
303228746	WHITE	471138!	304046 PEERC	471765!	304736 JAC	450398	30585 PEERC	455137!
303239	CONTI	470625!	30404SA TRSCM	415995	304736 JAC	471267!	305902 GWI	472439
303251	REX	417210!	30404TA TRSCM	415995!	3047402 CALI	415577	30591 C-R	455734=
303262	REX	473237!	3040805M1 MASSE	417349!	30477 NAPCO	473228!	30592 C-R	455734=
303283844	WHITE	471224!	30409239 ALLCH	471341!	3047701 CALI	415295	305925 AMC	9613S
303291251	WHITE	443527* =	3040D GOODM	416339	3047900 CALI	415960!	305926 GWI	472157!
303291278	WHITE	471272	3040D GOODM	455031!	3047901 CALI	415960!	305926 GWI	472157
3032SR	OSHKO	473215!	3040F GOODM	416339	304808XX TIMKE	30X48X8	305FF28 C-R	473473
303302466	WHITE	417344 =	3040F GOODM	455031!	304816C91 IH	416921!	305FM24 C-R	410308! *
303331849	WHITE	471272 =	30413 GWI	471750!	304831R91 IH	323138!	305M215-L C-R	350942
303341186	WHITE	415085!	30414 GWI	471747!	304832R91 IH	323138!	305VB7 MARI	415023
303349691	WHITE	415559	30420007 TROS	473463	30487342 ALLCH	417316 =	306 UNIVE	417354!
303353C91	IH	473243	30420408 TROS	450307	30488 GARLK	471643!	3060 C-R	240698
303359425	WHITE	417509	304207XX TIMKE	30X42X7	30488357 ALLCH	410737!	306120 C-R	450335
303360	O-M	420	30420808 TROS	410308!	3048ALA83 IH	471192	306122 BUC-E	470086
30338461	ALLCH	471442!	30420811 TROS	410308	3048P-ALA-100 IH	470954!	306122 C-R	470086
30341	CHERY	415001!	30420812 TROS	410308!	3048P-ALA-63 IH	472164!	306124 C-R	473313
303420280	WHITE	476389 =	30421208 TROS	473471	3049464 CUMMI	39869	306124 HU-WR	473313
30346	CHERY	471785!	30421607 TROS	473473	3049467 CUMMI	39865	306124M1 C-R	473313
30348	SPICE	40316S	30421608 TROS	473473	3049468 CUMMI	39861	306128 C-R	473457!
30348536	ALLCH	471224!	30424SA TRSCM	417487!	3049485 GM	35342	306128M1 C-R	473457!
30348833	ALLCH	470530	30427 GARLK	470954!	304967 WHITE	5751	306130 BUC-E	473461!
30349583	ALLCH	415984!	3042826 ALLCH	8907	304981 JAC	471652	306130 C-R	473461!
30349591	ALLCH	412119!	30431100 ALLCH	417967!	304986 WHITE	473215!	306130M1 C-R	473461!
30350	C-R	55276 =	304350 ALLCH	470954	304B23109 TROS	5957S	3061H SPG	3061H
30350839	ALLCH	472636	3044 C-R	340826	304N2 WHITE	473462	3061HC SPG	3061H
30350847	ALLCH	415104N =	304400 MICH	416404!	304VB7 MARI	417487	3061VG0 SPG	3061V
30352S	SPG	472164!	304400 UNIVE	416404! *	3050 C-R	240698	3062 BUC-E	473463
30359	SPG	473448	304407XX TIMKE	30X44X7	305007XX TIMKE	30X50X7	3062 C-R	473463
3036	C-R	8X14X4!	304412 UNIVE	417621!	305008XX TIMKE	30X50X8	306207XX TIMKE	30X62X7
3036	C-R	8X14X5! *	304413 MICH	417621!	3050TA OSHKO	5751	306212 C-R	473474
30360	C-R	355669	304418C91 IH	3016	3051 FMS	3051N	306212M1 C-R	473474
30360	CHERY	471750!	304418C91 IH	456052	3051 PEERC	450129	30622 C-R	450307
303600686	REX	473179!	304424 UNIVE	416288!	3051 PEERC	472826!	30622M1 C-R	450307
30367	SPICE	7245	304425 MICH	416288!	3051 TIMKE	3051	30624 C-R	410308!
30367	VIC	7245	304437 UNIVE	417171!	305110 O-M	474278!	30624M1 C-R	410308!
303723R91	IH	415458 =	304438 MICH	417171!	305110 O-M	6859S	30628 C-R	473473 *
30373TA	TRSCM	417349	30444095 ALLCH	471224!	305115 JAC	450557	30628K CLARK	473473
30373VTB	TRSCM	476023N	304445 GWI	5711	305115 JAC	471255!	30628M1 C-R	473473 *
30374TA	TRSCM	417349!	304446 EATON	370119A	3051237 ALLCH	415991	3062900 CALI	416167!
30376107	ALLCH	471649!	304450 GWI	415991	3051237 ALLCH	415991!	3062M1 C-R	473463
30377444	ALLCH	471692 =	304450 GWI	455146!	305128R91 IH	471570!	3063 SNFLW	204035
30378	WHITE	5951	304450 UNIVE	417172 *	305132-C92 IH	HU028A	306335R91 IH	470625!
303783	WHITE	5951	304451 GWI	416167!	305133-C1 IH	730001	306336R91 IH	470625!
30379	VERSA	370119A	304452 GWI	470954	305149 O-M	481443!	306346R91 IH	441130
3037969	ALLCH	417487!	30446 GARLK	471554!	30519 SPG	471271!	306392 Y-T	473467!
3037969	ALLCH	417487	30448 GARLK	471643!	3051N TIMKE	3051N	306424 UNIVE	456105
30379812	ALLCH	471272	304499 UNIVE	415021 *	305207A HARWA	30X52X7	306425 MICH	456105
30379903	ALLCH	473238 =	304500 MICH	415021	305207XX TIMKE	30X52X7	306437 UNIVE	417490
3037T2	WHITE	240733	3045043 ALLCH	45187S	305268 GWI	254287	306438 MICH	417490
30386759	ALLCH	473231!	304505XX TIMKE	30X45X5	305269 WHITE	416288	306449 UNIVE	455336 *
30389	SPG	472492!	304508XX TIMKE	30X45X8	30531 DIVCO	6547	306450 MICH	455336 *
3038997	CUMMI	471795 =	3045101 IG-RA	415995!	305366 GWI	416476!	30648 C-R	55141
3038998	CUMMI	472758V	304525 MICH	415394 *	305387-C1 IH	415072	306500 MICH	455022
3038999	CUMMI	471267	30454SA TRSCM	415088!	3054 TIMKE	417360	30652 C-R	55141
3038D	GOODM	415379	30454TA TRSCM	415088	305439 JAC	481073	30653 C-R	415088!
3038D	GOODM	415379!	30458 GARLK	471567!	30544 PEERC	417604	30653 C-R	415088
3039	PEERC	450033	304607XX TIMKE	30X46X7	3054HCR SPG	417360	3066 PEERC	450039
30394	SPG	473227!	3046311 SPICE	471272!	30550 C-R	55155 =	30662 SPICE	417480!
303HS210-L	C-R	5585	304632 SPICE	473214	30551 C-R	55155 =	30666S SPG	450666
303VB7	MARI	415995!	304632C91 IH	472705!	305510XX TIMKE	30X55X10	3067100 CALI	55103S
304	UNIVE	418028	304633 SPICE	471272!	305608XX TIMKE	30X56X8	306711 AMC	471504!
304	UNIVE	455137!	304634 SPICE	471466!	3056401 CALI	415219	30678 GARLK	471267!
30400543	ALLCH	470565!	304636 SPICE	470954	3056501 CALI	416154!	3067OS JN-MN	474264
3040062	ALLCH	415327	304636-2 SPICE	470954!	30565360 ALLCH	2505	306804 AMC	473211!
30400626	ALLCH	415327	304637 SPICE	471272!	3056803 CALI	415036	30684 AMC	471255!
304007XX	TIMKE	30X40X7	304638 SPICE	8421S	3057 PEERC	471137	30684 GMC	471267!
30401194	ALLCH	415551	30468 CHERY	411253!	30571 C-R	55155 =	30687 GARLK	471570!
304026	JA-MI	417316!	304707XX TIMKE	30X47X7	30574 CASE	40494S	3068800 CALI	416008
304026	JAE	417316!	3047201 CALI	455330!	305834 GWI	472409!	30693 C-R	455020
30402VH	TRSCM	45013S	3047209R1 NAVST	420	305845 GWI	416865!	306994 AMC	42763

! Industrial Size/Type * Minor Width Difference = Call 1-800-480-1212 for price and delivery.

Zero Duplication or Recommended		Zero Duplication or Recommended		Zero Duplication or Recommended		Zero Duplication or Recommended	
Mfr. No.	Name	Mfr. No.	Name	Mfr. No.	Name	Mfr. No.	Name
306AHS28-L C-R	473473	307824R91 IH	470565=	3091 C-R	50883=	30X50X8TC TRSCM	30X50X8
306FF22 C-R	450307	307882R91 IH	441130	309128R91 IH	441130	30X52X7 FORSH	30X52X7
306FF28 C-R	473473*	307968R91 IH	412920!	3092 C-R	8X22X7V	30X52X7 SIMRT	30X52X7
306FF2L C-R	5113	307975 WHITE	5M867	309209 AMC	471504!	30X52X7SC TRSCM	30X52X7
306FF2L C-R	7721!	307VB7 MARI	55028	309254C91 IH	415035	30X52X7TC TRSCM	30X52X7
306J OSHKO	472185!	308 UNIVE	415437	30927 IDEAL	35127	30X55X10SC TRSCM	30X55X10
306LC22-M1 C-R	450307	308 UNIVE	415437!	30928 CARQU	25598	30X55X10TC TRSCM	30X55X10
306N24 C-R	410308	308-0836 STEM	370001A	30929 CARQU	35327	30X55X7BS ISP	30X55X7
306R219 C-R	5957S	308-0853 STEM	370124A	309323-C91 IH	370023A	30X56X8SC TRSCM	30X56X8
306R219-Y12 C-R	5957S	308-0856 STEM	370131A	30932D IH	473238	30X56X8TC TRSCM	30X56X8
306VB7 MARI	415027	308-0863 STEM	370132A	309372 JAC	240733	30X62X7SC TRSCM	30X62X7
306VB7 MARI	415027!	308-0864 STEM	380048A	3094 C-R	712022	30X62X7TC TRSCM	30X62X7
306W120 C-R	450335	308070 JAC	471539!	309457 AMC	473234	30X72X10SC TRSCM	30X72X10
306W122 C-R	470086	308079 JAC	471539!	3095 TIMKE	3095	30X72X10TC TRSCM	30X72X10
306W124 C-R	473313	308160 ACF	474281!	3095278 CUMMI	100352	30X72X7BS ISP	30X72X7
306W124-M1 C-R	473313	308160 H-S	474281!	3095349 CUMMI	100196	31-2634100 WHITE	J1127
306W128 C-R	473457!	30816008 TROS	471391!	309612 H-S	470059	310 UNIVE	417355!
306W130 C-R	473461!	30820008 TROS	473242	309612 H-S	470380!	310-1034+320-2216 STEM	370011A
306W2 C-R	473463	30820807 TROS	472016	3096478 CUMMI	100253	310-1079+320-2009 STEM	370173A
306W2-M1 C-R	473463	30820808 TROS	472016	3096479 CUMMI	100254	310-1117 STEM	AR22
306W22 C-R	450307	308214 GWI	55301S	3096480 CUMMI	100252	3100 C-R	350364
306W22-M1 C-R	450307	30821608 TROS	471138!	309737 AMC	471787	3100 TIMKE	3100
306W24 C-R	410308!	30822408 TROS	470565!	309745 H-S	471554!	31004 GARLK	471224!
306W24-M1 C-R	410308!	308277 AMC	471984	309781 JAC	471554!	310099 HYST	204029
306W28 C-R	473473*	3083 TIMKE	3083	3098 CALSO	473227!	310099 HYST	204507!
307-0713 STEM	370036A	30839 SEAMA	415371	30981 CARQU	421	3101 C-R	712021
307-0713 STEM	370349A	308405R1 IH	335924N	309823C91 IH	415958!	3101030 STEM	AR8
307-0723 STEM	370065A	308412 UNIVE	455566	309823C91 IH	415958	3101059 STEM	AR11
307-0723 STEM	376590A	308424 UNIVE	476470	30983 CARQU	427RR	310131 H-S	416921!
307-0743 STEM	386025A	308425 MICH	476470	30985 IDEAL	35533	310195 FORD	710409
307-0743 STEM	416158	308437 UNIVE	417181!	30986 CARQU	35315	31020 GARLK	471649!
307-0744 STEM	370037A	308438 MICH	417181!	30987 CARQU	35292	31020008 TROS	412725
307-0744 STEM	370338A	308449 UNIVE	418028	30989 CARQU	35011	31020404 TROS	5756
307024 AMC	5778	308449 UNIVE	455137!	3098SK SPG	3098=	31021805.75 TROS	204035
30705 GARLK	471633!	308450 MICH	418028	3099 PEERC	471764!	31023004.5 TROS	40337S
307073C91 IH	471267!	308450 MICH	455137!	30991 CARQU	35315	31023204 TROS	473476
30700S JN-MN	411394!	3084879 CUMMI	39821	3099421 CUMMI	600389	31023204.5 TROS	40337S
30710 C-R	78X95X10	308499 UNIVE	415023	3099421 SPG	100199	3102609 WHITE	730016
307109 JAC	472319	30849D IH	415991	309VB7 MARI	416345!	31028 GARLK	471689!
307121 GWI	471267!	30849D IH	455146!	309VB7 MARI	455033	3103 NATL	3095
30715 CARQU	25598	308500 MICH	415023	30A1635 MINNM	480630!	3103 TIMKE	3103
30715 GARLK	471646!	308510 JAC	470954!	30A1680 MINNM	471276	3103341 WHITE	100495
30715608 TROS	7216	308548 AMC	471787	30A2783 MINNM	203013	3103341 WHITE	417349
3071643 CUMMI	934023	3086279 CUMMI	100154	30A2801 MINNM	40301S	3103513 WHITE	730003
30720 CARQU	35094	308677R93 IH	5364=	30A514 MINNM	481792	3103514 WHITE	370047A
307210XX TIMKE	30X72X10	3087 TIMKE	3087	30A515 MINNM	470712!	31040 GARLK	471733
307239 O-M	425RR	308719 JAC	471224!	30P514 MINNM	471835!	3104085 WHITE	415991
30725 C-R	78X100X10	308731 JAC	472311!	30PS462 C-P	416476!	3104085 WHITE	415991!
30725 CARQU	35316	3088 C-R	8X22X7V	30T811 CLARK	410059	310413SL MICH	455500
3072V SPG	471281	308811 JAC	471571	30T811 CLARK	470380!	310424 UNIVE	416292
30730 GARLK	470590	308986 ACF	470530!	30X40X7SB TRSCM	1129	310425 MICH	416292
30737S SPG	410737!	308B14408 TROS	470687	30X40X7SB TRSCM	30X40X7!	310437 UNIVE	417491
30730S JN-MN	410737!	308VB7 MARI	416339	30X40X7SC TRSCM	30X40X7!	310438 MICH	417491
30740 C-R	78X105X10	308VB7 MARI	455031!	30X40X7TC TRSCM	30X40X7!	310449 UNIVE	415085!
30740 CARQU	35315	309-0903 STEM	416892	30X42X7SC TRSCM	30X42X7!	310449 UNIVE	456648
3074482 CUMMI	471795=	309-0904 STEM	415058	30X42X7TC TRSCM	30X42X7!	310450 MICH	415085!
3074BA SPG	471466	309-0912 STEM	370023A	30X44X7SC TRSCM	30X44X7!	310450 MICH	456648
3074V SPG	471466	309-0935 STEM	370047A	30X44X7TC TRSCM	30X44X7!	3104650 ALLCH	J1105
307557 GWI	471766!	309-0957 STEM	417506	30X45X5SC TRSCM	30X45X5!	3104651 ALLCH	473238
3075BA3 SPG	470954=	309-0960 STEM	370005A	30X45X5TC TRSCM	30X45X5!	3104652 ALLCH	473238
30760 C-R	78X110X10	309-0961 STEM	370030A	30X45X8SC TRSCM	30X45X8!	310500 MICH	455024
307615 WHITE	473215!	309-0964 STEM	370021A	30X45X8TC TRSCM	30X45X8!	310507R91 IH	470565=
3076203 CUMMI	100518	309-0965 STEM	370019A	30X46X7SC TRSCM	30X46X7!	310508R91 IH	473467=
30769 CARQU	35486	309-0970 STEM	370006A	30X46X7TC TRSCM	30X46X7!	310509R91 IH	415995!
3077 C-R	220818	309-0973 STEM	370003A	30X47X7SC TRSCM	30X47X7	310510R91 IH	417344
3077 C-R	8X18X5	3090 C-R	50883=	30X47X7TC TRSCM	30X47X7	310511R91 IH	412473
3077 C-R	8X18X7!	309007 H-S	450593!	30X47X8TC TRSCM	223020	310512R91 IH	415449=
30770 C-R	78X115X10	309013 FREIG	416339	30X48X8SC TRSCM	30X48X8	310514R91 IH	38939V!
30771 C-R	710090	309013 FREIG	455031!	30X48X8TC TRSCM	30X48X8	310514R91 IH	415379!
30772 C-R	710106	3090915 STEM	417505	30X50X7SC TRSCM	30X50X7	310515R91 IH	415458
307739 AMC	410059	3090948 STEM	370069A	30X50X7TC TRSCM	30X50X7	310516R91 IH	415437
307739 AMC	470380!	3090948 STEM	380069A	30X50X8SC TRSCM	30X50X8	310517R91 IH	455040N=

! Industrial Size/Type * Minor Width Difference = Call 1-800-480-1212 for price and delivery.

Zero Duplication or Recommended		Zero Duplication or Recommended		Zero Duplication or Recommended		Zero Duplication or Recommended	
Mfr. No.	Name	Mfr. No.	Name	Mfr. No.	Name	Mfr. No.	Name
310518R91 IH	455685N=	311405641 VW	38X52X8.5!	31207 AM WH	473229	312463 MICH	417354!
310522R91 IH	473467=	31141 C-R	416404!	31207 C-R	416288!*	312469 MICH	455249!
3105234 AMC	471141!	31142 SPICE	442380	3120RB SPG	3120N=	31247 C-R	417621
310523R91 IH	415995!	311421 SPICE	442380	3121 C-R	350364*	3124732 AMC	6760S
310524R91 IH	417344	311422 SPICE	442380	312119 ALLCH	40438S	312499 UNIVE	417191
310525R91 IH	412473!	31144 C-R	2260	31213 C-R	416288	312499 UNIVE	455165!
310526R91 IH	415449=	31145 C-R	416404!*	31213207 TROS	450540	3124S SPG	3124=
310528R91 IH	415379=	31146 C-R	416404=	31214 VICK	417040	3125 C-R	350364
310529R91 IH	415458=	31147 C-R	416404!	312140 TIMKE	312140	31250 C-R	417171!*
310531R91 IH	455040N=	3114778 AMC	9613S	31214807.5 TROS	470088	312500 MICH	415025
310532R91 IH	455685N=	31148 C-R	416404!*	31215 C-R	416288	312518 TIMKE	312518
3105459 AMC	471344	31149 EATON	370019A	31215607.5 TROS	473458!	31252 C-R	417171!
310550R91 IH	417357	31149 EATON	415060	31216007 TROS	473462	31253 C-R	417171!
310550R91 IH	455192!	31149 EATON	455060	31216007.5 TROS	473462	31255 C-R	417171!
310599 O-M	471571	311493 AMC	340771	312196 TIMKE	312196	31257 C-R	417171!
310622 JAC	471267!	31152 C-R	416404=	31220007 TROS	473464	312580 H-S	473446
310625 ACF	470334!	311531 H-S	481073	31220007 TROS	473464!	31262 GARLK	471795
310625 H-S	470334!	31158 C-R	6754S=	31220007.5 TROS	473464	31269 C-R	417172*
310625 JAC	476838!	3116 TIMKE	473215	31220407 TROS	416738!	3126S SPG	3126=
3106297 WHITE	730026	311616 AMC	471827	31220407 TROS	450096	31270 C-R	417172
3106298 WHITE	HU012A	31162 MICH	471648	31220806 TROS	472409!	31270 SPICE	416273!
3106480 AMC	471619!	31162 UNIVE	471648	31220807 TROS	472409!	31271 C-R	417172
3106565 WHITE	472164!	31163 C-R	417621!	31220807.5 TROS	472409!	31274 C-R	417172
3108127 WHITE	471466=	31164 C-R	417621!	31221 C-R	416288!	31275 C-R	417172
310841 TIMKE	310841	3116442 AMC	470954	31221007.5 TROS	450621	31276 C-R	417172*
3108650-R91 IH	473238	31165 C-R	417621!	31221207 TROS	470354	31278 C-R	417172
3108OS JN-MN	474264	311653330 WHITE	416664!	31221207.5 TROS	470354	31279 C-R	417172
3109130 AMC	6074	31166 C-R	417621!	31221211 TROS	6636S	31281 C-R	417172
310921 ACF	472924!	31168 C-R	5578	31221607 TROS	410737!	3128171 AMC	6855N=
310921 H-S	472924!	3116N TIMKE	473215	31221608 TROS	410737!	31284 C-R	6644
310946R91 IH	476470	31170 C-R	417621!	31221611.5C TROS	410737!	31288 C-R	5751
310946R91 IH	476470!	311706560 WHITE	415725!	31222 C-R	416288!	31292 C-R	6603=
310971 H-S	411253!	311717 H-S	412943	31223204 TROS	472029	3129318 AMC	474255
310978 VICK	471649!	311718 H-S	471820	312237 ACF	473215!	3129320 AMC	472560N
310B20808 TROS	8243	31172 C-R	5578	312237 H-S	473215!	31299 C-R	416297
310C204065 TROS	200110	311721 AMC	470898	312238 ACF	470950!	312C116 C-R	210914
310D20404 TROS	5756	31173 C-R	417621*	312238 ACF	6241S	312VB7 MARI	417191
310D20604 TROS	40973S	31175 C-R	370145A	312238 H-S	470950!	312VB7 MARI	455165!
310E21805.75 TROS	493291	31175 MICH	471688	312238 H-S	6241S	312W475 CONE	5518
310G15604 TROS	6808N	31175 UNIVE	471688	31224 GARLK	471413!	31301 C-R	416297
310H13604 TROS	5778	31176 C-R	417621!	31227 C-R	416288!*	31302 HYST	470625!
310VB7 MARI	415034!	31177 C-R	417621!	312276 WHITE	473467!	313046 ACF	471553!
311-405-641A VW	1165	31178 C-R	417621!	31228 C-R	416288!*	313046 H-S	471553!
311-405-641B VW	1195	31179 C-R	417621!*	31228D IH	415371	31307 C-R	370046A
311035 WOOL	416891!	31182 UNIVE	450040	31229 C-R	416288!	31307 C-R	5100
31105D IH	412473!	311825 H-S	471472!	31231 C-R	416288!	313096 JAC	473454
31106D IH	481864	31183 MICH	450040	31232 GARLK	471737	3130C MINNM	417344!
31108D IH	470059	311837 ACF	50010	31233 C-R	416288!	313100R91 IH	415021
31108D IH	470380!	311837 H-S	50010	31234 HYST	410102	313112 C-R	450516
3110A ROCKW	410059	31185 C-R	39817	3123416 AMC	240698	31311F DIA	471689!
3110A ROCKW	470380!	31185 C-R	417621	31235 HYST	412920!	313122 C-R	470687
3111035 WOOL	416888!	311865 Y-T	416654!	312356 FORD	473228	313128 C-R	473240!
31113 GARLK	471652	31189 C-R	417621!	3123576 AMC	470625!	313130 C-R	471391!
311132 CATER	40085S	31190 C-R	417621!	3123587 AMC	472572!	313130M1 C-R	471391!
31117 GARLK	471692!	31191 C-R	417621!	3123667 AMC	340797	313156 TIMKE	313156
31118 GARLK	471692!	31193 C-R	417621!	3123668 AMC	340797	31316 C-R	416024*
311189 TIMKE	311189	31195 C-R	417621!	31237 C-R	416287V=	3131C MINNM	413469!
31119D IH	415984!	31196 C-R	417621!	31238 C-R	416288!	3132 C-R	473242
31125 C-R	45825S	31197 C-R	417621!	31239 C-R	416288!	313210 C-R	472150
31128 GARLK	470712!	31198 C-R	417621!	3123SK SPG	3123=	313210M1 C-R	472150
31129 C-R	45825S	31199 C-R	417621!	312424 UNIVE	416294!	313212 C-R	470565!
3112948 AMC	240151	311994R91 IH	471224!	312437 UNIVE	412473!	313212M1 C-R	470565!
31130 C-R	228005	311VB7 MARI	415088	312438 MICH	412473!	313214 C-R	471887
3113029 AMC	470712!	311VB7 MARI	415088!	312438ISL MICH	412473!	31322 C-R	450311
31133 C-R	416288!	312 UNIVE	416339	31244 C-R	AR5+370014A	31322M1 C-R	450311
31138 C-R	416404!	312 UNIVE	455031!	312450 MICH	417191	31324 C-R	472016
31138 GARLK	471763	3120 C-R	350364*	312450 MICH	456585	31324 GR-DV	472016
3113831 AMC	471344	31200 C-R	417621!	312450990 WHITE	417134	313240 H-S	415458!
31139 C-R	416404!	31202 C-R	8976S	31246 GARLK	471766!	313245 FORD	472572!
31140 C-R	416404!	31203 C-R	8976S*	312460C91 IH	410686N	313249 H-S	415995!
31140 GARLK	471763	31205 GEM	240151	312462 UNIVE	417354!	31324M1 C-R	472016
311405641 VW	1174	31206 C-R	417621	312462V UNIVE	417354!*	31324S FORD	472572!

! Industrial Size/Type * Minor Width Difference = Call 1-800-480-1212 for price and delivery.

Zero Duplication or Recommended		Zero Duplication or Recommended		Zero Duplication or Recommended		Zero Duplication or Recommended		
Mfr. No.	Name	Industrial	Mfr. No.	Name	Industrial	Mfr. No.	Name	
31326	C-R	472020	313W130	C-R	471391!	314VB7	MARI	415394
313262	LEROI	415960	313W130-M1	C-R	471391!	3150	C-R	8X22X7!
31326M1	C-R	472020	313W2	C-R	473242	315019	H-S	471747!
31328	C-R	471138!	313W2-M1	C-R	473242	3150254	AMC	473317
31328	GEHL	471138!	313W210	C-R	472150	31504	C-R	710103
31328M1	C-R	471138!	313W212	C-R	470565!	3150548	AMC	7686S
313290	SPG	43290S	313W212-M1	C-R	470565!	31506	C-R	228005
3132M1	C-R	473242	313W214	C-R	471887*	3150677	AMC	473234!
31330	SPICE	471192	313W22	C-R	450311	31507	C-R	228008
31330	VIC	471192	313W22-M1	C-R	450311	31508	HYST	417538
31333	C-R	415021*	313W24	C-R	472016	3150815	AMC	6952S=
3134	PEERC	471192	313W24-M1	C-R	472016	3150858	AMC	240816
31340	C-R	415021	313W26	C-R	472020	31509	C-R	228011
3134093	AMC	472572!	313W28	C-R	471138!	31509	C-R	228015
31341	C-R	415021	313W28-M1	C-R	471138!	31509	C-R	80X100X10V!
31343	HYST	415138!	314	UNIVE	415697!	31510	C-R	228009
31344	C-R	415021	314	UNIVE	455547	31510	C-R	228012
3134500	CALI	455019!	3140	C-R	350364	31510	C-R	80X100X10!
31348	GARLK	472258!	3140380	AMC	472572!	3151007	AMC	473459
31353	C-R	415394*	3140D	GOODM	416345!	31511	C-R	228015
31355	C-R	415394*	3140D	GOODM	455033	31512	C-R	228012!
31359	C-R	415394*	3141	C-R	712021	31512	C-R	80X100X10!
31360	GARLK	471192	31415TA	TRSCM	417621	31513	C-R	228010
31361	C-R	7896S	314172KB	TRSCM	8976S	31513	C-R	80X100X10!
31362	C-R	9600S	3142044	AMC	6952S=	31515	C-R	228020
31364	C-R	5405	31424TA	TRSCM	416288!	31515	C-R	80X105X10
31368	GARLK	473214!	314259	TIMKE	314259	31515	C-R	80X105X13!*
3136881R91	IH	2260	314267N	TIMKE	314267N	31516	C-R	228009
3136881R92	IH	2260	3143382	CLARK	415447	31516	C-R	228011
31369	C-R	5410	31435	VICK	415146!	31516	C-R	80X100X10V!
3136N	TIMKE	3136N	31435	VICK	415991	31517	C-R	228020
31370	GARLK	473214!	3143C	MINNM	471750!	31517	C-R	80X105X12V!
313734	FORD	473215!	3143N	TIMKE	3143N	31517	C-R	80X105X13!*
31374	C-R	5452	3143RAR	SPG	3143N	31519	C-R	80X105X13!*
313756	H-S	471549!	314408XX	TIMKE	31X44X8	31520	C-R	80X110X12
313757	H-S	471750!	314425SL	MICH	418029!	31521	C-R	80X105X13!
313777	JAC	481537	314449	UNIVE	417492*	31524	C-R	80X100X10V
31378	C-R	5406	314450	MICH	417492	31525	C-R	228030
31378	C-R	6481S\$	314462	UNIVE	417493	31525	C-R	80X110X10!
31378	GARLK	473215!	314463	MICH	417493	31525	CASE	5865
3138	PEERC	470950!	3144651	AMC	471195!	31526	C-R	80X110X10V
3138	PEERC	6241S	3144651	WILYS	471195!	3153	FR-HT	471795
3138143	AMC	470774!	3145	C-R	220860	3153	PEERC	473228
313820R91	IH	473447	3145	C-R	8X16X7!	31530	C-R	228030
31384	CASE	340900	314500	MICH	455026	31530	C-R	80X110X12!
313842	TIMKE	313842	31454	GARLK	473227!	31531	C-R	80X110X10V
31385	C-R	5185	31455TA	TRSCM	417172	31531	SPICE	410987!
313856R91	IH	450048	3145CA	SPG	3145	3153482	AMC	473234!
3138701R91	IH	2261	3145CAR	SPG	5124	31536	C-R	80X115X12*
313886	JAC	471466!	31462	GARLK	470625!	3153825	AMC	473452
31390	C-R	5313	31464	GARLK	470625!	31540	C-R	80X120X10!
313903R91	IH	415227=	314658	CHRY5	473464!	31540	C-R	80X120X13
313912R91	IH	415449=	314658	CHRY5	473464	3154112	AMC	311189
313912R92	IH	415449=	31472	GARLK	470380!	31545	C-R	80X120X13
313913R91	IH	415995=	314745	Y-T	415035!	315459	H-S	413469!
313913R92	IH	415995=	314745	Y-T	415035	31546	C-R	80X120X13!
313914R91	IH	417354!	31475	EATON	415697!	315465	TW-CO	6638S
313914R92	IH	417354!	31475	EATON	455547	3155	C-R	8X24X7
313915R91	IH	415379=	314755-C91	IH	HU066A	31550	C-R	55386
313915R92	IH	415379=	3148004	AMC	473234!	3155002	AMC	321460
31392	C-R	6897=	3148051	GM	411	3155002	WILYS	321460
31393	C-R	5494	3148513	AMC	340356	31551	C-R	80X125X12*
313936	H-S	473448	31490	C-R	710080	3155168	AMC	410059
313943R91	IH	455282N=	31492	GARLK	473228!	3155168	AMC	470380!
3139OS	JN-MN	450307*	314923	WHITE	473010	31554	SPICE	473228!
313BM212-L	C-R	470565!	314924	H-S	473427	31554	VIC	473228!
313CH212	C-R	470565!*	31494SA	TRSCM	455022	3156012	AMC	473317
313F130	C-R	471391!	314963	CHRY5	473447	31565	C-R	80X130X12
313VB7	MARI	415995!	31498	GARLK	473228!	31566	GARLK	473230!
313W112	C-R	450516	314FF128	C-R	5246	31575	C-R	80X135X12
313W122	C-R	470687	314FF22	C-R	5756	31575	HYST	472015!
313W128	C-R	473240!	314G126	C-R	40337S	3157506	AMC	411
31575B	HYST	473467	31575	GARLK	473231!	31576	GARLK	473231!
31576	GARLK	473231!	3158	NORDG	472179	3158482	AMC	473234
3158	NORDG	472179	31585	C-R	80X140X12	3158703	AMC	470059
3158482	AMC	473234	3158703	AMC	470380!	3158710	AMC	340815
31585	C-R	80X140X12	3158703	AMC	470380!	3159	NORDG	472193!
3158703	AMC	470059	3159	NORDG	472193!	31590	GARLK	473010!
3158703	AMC	470380!	315945	JAC	6357S	315967	JAC	415995!
3158710	AMC	340815	31598	GARLK	473232!	31599	CALI	291148=
3159	NORDG	472193!	31599	CALI	291148=	315FF23-L	C-R	8243
31590	GARLK	473010!	315FF23-L	C-R	8243	315G130	C-R	40526S
315945	JAC	6357S	315G23	C-R	40973S	315VB7	MARI	417181!
315967	JAC	415995!	315VB7	MARI	417181!	31600	CALI	295113=
31598	GARLK	473232!	31600	CALI	295113=	3161025	CUMMI	5742
31599	CALI	291148=	3161025	CUMMI	5742	316124L	C-R	6818
315FF23-L	C-R	8243	316124L	C-R	6818	316128L	C-R	6808N
315G130	C-R	40526S	316128L	C-R	6808N	31615608	TROS	451078!
315G23	C-R	40973S	31615608	TROS	451078!	31615608C	TROS	451078!
315VB7	MARI	417181!	3161742	CUMMI	600211	3161772	CUMMI	5728
31600	CALI	295113=	3161772	CUMMI	600211	3161772	CUMMI	600211
3161025	CUMMI	5742	31621008	TROS	450869	31621208	TROS	473245!
316124L	C-R	6818	31621208	TROS	473245!	31621604	TROS	40316S
316128L	C-R	6808N	31621604	TROS	40316S	31621608	TROS	472636!
31615608	TROS	451078!	31621608	TROS	472636!	31621610	TROS	472636!
31615608C	TROS	451078!	31621610	TROS	472636!	31622008	TROS	411394!
3161742	CUMMI	600211	31622008	TROS	411394!	31622408	TROS	413246
3161772	CUMMI	600211	31622408	TROS	413246	31623204	TROS	442380
3161772	CUMMI	600211	31623204	TROS	442380	31623206	TROS	471271!
31621008	TROS	450869	31623206	TROS	471271!	31623208	TROS	471271!
31621208	TROS	473245!	31623208	TROS	471271!	31624007	TROS	451143
31621604	TROS	40316S	31624007	TROS	451143	31634	WAYNE	471733
31621608	TROS	472636!	31634	WAYNE	471733	31637-4	SPICE	J1130
31621610	TROS	472636!	31637-4	SPICE	J1130	31640	C-R	456799=
31622008	TROS	411394!	31640	C-R	456799=	316405	OMC	17760
31622408	TROS	413246	316405	OMC	17760	3164335	AMC	473445
31623204	TROS	442380	3164335	AMC	473445	3164335	Y-T	473445
31623206	TROS	471271!	316437	UNIVE	416624!	316449	UNIVE	415991
31623208	TROS	471271!	316449	UNIVE	415991	316449	UNIVE	455146!
31624007	TROS	451143	316450	MICH	415991	316450	MICH	455146!
31634	WAYNE	471733	316450	MICH	455146!	316462	UNIVE	417196!
31637-4	SPICE	J1130	316462	UNIVE	417196!	316463	MICH	417196!
31640	C-R	456799=	316463	MICH	417196!	31646314	SPICE	415458=
316405	OMC	17760	31646314	SPICE	415458=	31646314-2	SPICE	415458=
3164335	AMC	473445	316475	MICH	415437	316475	MICH	415437
3164335	Y-T	473445	316475	MICH	415437	316475	MICH	415437!
316437	UNIVE	416624!	316475	UNIVE	415437!	316475	UNIVE	415437!
316449	UNIVE	415991	316487	UNIVE	417198	316487	UNIVE	417198
316449	UNIVE	45514						

Zero Duplication or Recommended		Zero Duplication or Recommended		Zero Duplication or Recommended		Zero Duplication or Recommended					
Mfr. No.	Name	Mfr. No.	Name	Mfr. No.	Name	Mfr. No.	Name				
316G29	C-R	493291	31809	CLARK	473447	319130K	IH	473462	319W-214-46	LK-BT	471567!
316VB7	MARI	415027!	3181	NORDG	417492	319130M1	C-R	473462	319W-215-19	LK-BT	471649!
316VB7	MARI	415027	31814	GARLK	472572!	31917625	FMC	455026	319W-217-67	LK-BT	470334!
316W118	C-R	5778	3182	PEERC	474265!	31917665	FMC	415995!	319W-218-75	LK-BT	472016
317-1705+327-2718	STEM	415058	318243	WHITE	455151	3192	C-R	473464!	319W-219-19	LK-BT	471272!
317-1721+327-2721	STEM	370132A	31825	C-R	417490*	3192	C-R	473464	319W-219-55	LK-BT	415449!
317-1756+327-2756	STEM	370023A	31826	GARLK	473238!	319212	C-R	473475*	319W-219-62	LK-BT	415302
317-1756+327-2756	STEM	380023A	31827	CATER	417349!	319212M1	C-R	473475*	319W-220-14	LK-BT	416921!
317-1790+327-2741	STEM	370069A	31827	TMTR	417349!	319216	C-R	472029	319W-220-32	LK-BT	417621!
317-1790+327-2741	STEM	380069A	31828	HYST	470088	31922	C-R	416738!	319W-221-40	LK-BT	415146!
31704	GARLK	472164!	31830	C-R	417490	31922	C-R	450096	319W-221-40	LK-BT	415991
3170699	AMC	7686S	31831	C-R	417490	31922	CONTI	416738!	319W-221-52	LK-BT	416557
3170700	AMC	7687S	318360	H-S	471760	31922	CONTI	450096	319W-221-53	LK-BT	415937!
3171	C-R	470195!	31837	SPICE	410825	31922	FAIRB	416738!	319W-221-70	LK-BT	416339
3171	PEERC	471649!	318371	SPICE	410825	31922	FAIRB	450096	319W-222-18	LK-BT	415034!
31714	GARLK	472185!	31838	GARLK	473239!	31922M1	C-R	416738!	319W-222-50	LK-BT	416556!
3172073	WILYS	5111	3183886	AMC	473445	31922M1	C-R	450096	319W-222-50	LK-BT	472157
3172073	WILYS	5111S	3183887	AMC	473459	31924	C-R	472409!	319W-222-64	LK-BT	416380!
317219	H-S	471272!	3183981	AMC	473452	31924M1	C-R	472409!	319W-223-11	LK-BT	415371
317237	WHITE	471224!	3183981	SPICE	473452	31925	C-R	450621*	319W-223-27	LK-BT	416865!
31726	GARLK	472179	318449	UNIVE	415498*	31925M1	C-R	450621*	319W-224-52	LK-BT	416239!
3173	TIMKE	3173	3184494	AMC	471827	31926	C-R	470354*	319W-227-26	LK-BT	471619!
3173098	WILYS	5111	3184500	CALI	415379	31926M1	C-R	470354*	319W-228-22	LK-BT	471818
3173098	WILYS	5111S	318462	UNIVE	415711	31928	C-R	470354	319W-229-7	LK-BT	473214!
3173532	AMC	473317	318463	MICH	415711	31928M1	C-R	410737!*	319W-229-71	LK-BT	473440!
31743	GARLK	471984	318475	MICH	417497	3192K	FORD	473464!	319W-230-33	LK-BT	473367
3174533	AMC	471652	318475	UNIVE	417497	3192K	FORD	473464	319W-230-4	LK-BT	472299
3174533	AMC	482208!	31848	GARLK	473240!	3192M1	C-R	473464	319W-231-44	LK-BT	413248
31750	GARLK	473313	318487	UNIVE	417498	3192M1	C-R	473464!	319W-231-9	LK-BT	472185!
317510R91	IH	50199S!	318488	MICH	417498	31930	C-R	455022*	319W-232-35	LK-BT	472016!
317510R91	IH	6863S!	318499	UNIVE	55028*	319306	WHITE	240151	319W-232-38	LK-BT	416267!
31753	C-R	3385	318500	H-S	415437	31931	C-R	455022*	319W-232-47	LK-BT	472018
317549R91	IH	412119!	318500	MICH	55028	3193613	AMC	3404!	319W-232-61	LK-BT	471138!
317570R91	IH	415035	318507	AUTOZ	35342	319413	ACF	413246	319W-232-62	LK-BT	472636!
31758	C-R	456105*	318509	AUTOZ	35531	319413	H-S	413246	319W-233-2	LK-BT	470565!
31762	C-R	456105	318512	AUTOZ	35617	3194171	AMC	321460	319W-233-21	LK-BT	415001!
31763	LEECE	450340	31855	C-R	455336*	3194827	AMC	321460	319W-233-39	LK-BT	415458!
31769	LEECE	473414	31858	C-R	455336	3195	TIMKE	3195	319W-233-56	LK-BT	417344!
31770	C-R	456105	31859	C-R	455336	319506C1	IH	370124A	319W-233-6	LK-BT	416271!
31771	C-R	456105	3186	TIMKE	3186	319506C92	IH	370124A	319W-238-38	LK-BT	416267!
317749C92	IH	5065	3186540	AMC	8549S	319527172	FMC	417357	319W-263-49	LK-BT	450039
317807R91	IH	200856	31866	C-R	455336*	319527172	FMC	455192!	319W-276-1	LK-BT	472237=
317847R91	IH	471255!	31867	C-R	455336*	31955	C-R	455022*	319W-276-12	LK-BT	476517
31785	CHERY	471763	318675C91	IH	410308!	31960	C-R	455022	319W-276-3	LK-BT	472239
317879	H-S	472951	318678C91	IH	416271	31960	HYST	471821!	319W-276-4	LK-BT	471379
317879	H-S	474252	31870	C-R	6358	31961	C-R	455022	319W-276-5	LK-BT	476510=
317923	WHITE	473010	31872	C-R	455336*	319635R91	IH	417198=	319W-276-8	LK-BT	476511=
317944R91	IH	417267	31874	C-R	6358	31970	ACF	415991	319W-34-40	LK-BT	417492
317996R91	IH	415035=	318987C91	IH	416271	31970	ACF	455146!	319W-34-5	LK-BT	416654!
317VB7	MARI	417487	318B22	C-R	416738!	31970	HYST	415991	319W-35	LK-BT	415041
3180	PEERC	473234	318B22	C-R	450096	31970	HYST	455146!	319W-355-14	LK-BT	415317
31800	C-R	456105	318W124	C-R	470088*	319785	WHITE	41075S	319W122	C-R	450533*
3180041	AMC	473234!	318W124-M1	C-R	470088*	319812	H-S	471341!	319W124	C-R	470088*
318010	CLARK	417498	318W22	C-R	416738!	3199S	TIMKE	3199	319W124-M1	C-R	470088*
318011A	CLARK	472179	318W22	C-R	450096	319F2	C-R	473464	319W126	C-R	450090*
318012	CLARK	415449!	318W22-M1	C-R	416738!	319G130	C-R	40094S	319W126-M1	C-R	450090*
318014	CLARK	415995!	318W22-M1	C-R	450096	319HC26-L	C-R	3103!	319W128	C-R	473458!*
318018	CLARK	471224	318WL22-M1	C-R	416738!	319N28	C-R	410737!*	319W128-M1	C-R	473458!*
31802	GARLK	472439	318WL22-M1	C-R	450096	319W-112	LK-BT	415294!	319W130	C-R	473462
3180211	AMC	3404!	3190	CR-CF	471553!	319W-112-1	LK-BT	415072	319W17537	FMC	415449!
318026	CLARK	472179	31900	EATON	5951	319W-112-11	LK-BT	416229	319W17625	FMC	455026
318027	CLARK	416891!	319026C11	IH	722250	319W-112-12	LK-BT	415294!	319W2	C-R	473464!
318028	CLARK	412119!	319039	ALLCH	473458!	319W-112-14	LK-BT	417298	319W2	C-R	473464
31803	CLARK	411253!	319122	C-R	450533*	319W-112-2	LK-BT	457874	319W2-M1	C-R	473464
318030	CLARK	450497=	319124	C-R	470088*	319W-112-20	LK-BT	455584	319W2-M1	C-R	473464!
318031	CLARK	456105	319124M1	C-R	470088*	319W-112-5	LK-BT	417562	319W212	C-R	473475*
31804	GARLK	472439	319125	C-R	450089	319W-112-8	LK-BT	417563	319W21446	FMC	471567!
318047C11	IH	712375	319126	C-R	450090	319W-171-1	LK-BT	472237=	319W21531	FMC	471692!
31805	CLARK	473228	319126M1	C-R	450090	319W-171-12	LK-BT	476517	319W21624	FMC	471192
31806	SPICE	482253	319128	C-R	473458!*	319W-171-4	LK-BT	471379	319W21624	LK-BT	471192
31807	CLARK	470682	319128M1	C-R	473458!*	319W-171-5	LK-BT	476510=	319W2175	FMC	473229!
31808	CLARK	472636!	319130	C-R	473462	319W-171-7	LK-BT	476511=	319W21767	FMC	470334!

! Industrial Size/Type * Minor Width Difference = Call 1-800-480-1212 for price and delivery.

NUMERICAL

Zero Duplication or Recommended		Zero Duplication or Recommended		Zero Duplication or Recommended		Zero Duplication or Recommended					
Mfr. No.	Name	Mfr. No.	Name	Mfr. No.	Name	Mfr. No.	Name				
319W21875	FMC	472016!	319YM26	C-R	470354	3206691	AMC	5112	321501641A	AUDI	1165
319W21919	FMC	471272!	319Z128	C-R	473458!*	3206691	AMC	5112S	321516	TIMKE	471516
319W21955	FMC	415449!	31A9426	DALMO	472354!	3206691	WILYS	5112	3215360	GMC	471264!
319W21962	FMC	415302!	31D3639	BENDI	340797	3206691	WILYS	5112S	321545R91	IH	473239!
319W22	C-R	416738!	31TA154	OSHKO	471887	320678X	SPG	225650	321546R91	IH	471343!
319W22	C-R	450096	31TA397	OSHKO	471341!	3206864	GMC	471472!	321570	SPG	471570!
319W22-M1	C-R	416738!	31X10977	JOHND	340356	320691	TIMKE	320691	32159	GARLK	473204
319W22-M1	C-R	450096	31X12575A	JOHND	416339	32071	GARLK	473242	321593	H-S	471255!
319W2201	FMC	416664!	31X12584A	JOHND	415064	32077	ROSS	323138!	321596R91	IH	471224=
319W22032	FMC	417621!	31X17484A	JOHND	455576!	320834R	SPG	38X74X11	321597R91	IH	471224=
319W22033	FMC	416288!	31X44X8SC	TRSCM	31X44X8	320839VD	SPG	224205	321606	H-S	350156
319W22033	LK-BT	416287!	31X44X8TC	TRSCM	31X44X8	320840RA	SPG	222025	321606	H-S	473096
319W22033	LK-BT	416288!	320-2009	STEM	370057A	3208474	AMC	473452	321643	NATL	471643!
319W22140	FMC	415146!	320-2034	STEM	370012A	320942	H-S	471192	321649	NATL	471649!
319W22140	FMC	415991!	320-2041/1043RING	STEM	370192A	320A23108	TROS	6785	32166	HYST	416239!
319W22152	FMC	416332!	320-6017	STEM	370036A	320C21606	TROS	44052	32167	JOHND	204017
319W22153	FMC	415937!	320-6017	STEM	370349A	320XJ216	MACK	415938	32169	LEECE	471760
319W22170	FMC	416339	32001	TRMBL	H075	321-501-641	AUDI	1962	32171	GARLK	470898
319W22218	FMC	415034!	32006	CHERY	472144!	321-501-641	VW	1962	3217590	GMC	455019!
319W22250	FMC	416556!	32006	GARLK	471424!	321-501-641	VW	224052	3217634	GMC	416339
319W22250	FMC	472157	3200636	AMC	480821!	321-501-641E	VW	1962	3217634	GMC	455031!
319W22264	FMC	416380!	320084	H-S	472636!	3210	TIMKE	3210	321782R93	IH	396412*=
319W2229	FMC	415697!	3202034	GMC	476838!	321009R91	IH	5581=	3217873	GMC	416125!
319W22311	FMC	415371!	320211C91	IH	410737!	3210521	GMC	417316!	3217874	GMC	474264
319W22327	FMC	416865!	3202170	AMC	471538	3210522	GMC	455005	32180	WAYNE	472164!
319W22360	FMC	416107!	32022006	TROS	5924	321055	H-S	471747!	32185	HYST	473236!
319W22412	FMC	417362!	32023	GARLK	472492!	3211035	C-W	416229	321852	WHITE	471766!
319W22442	FMC	416229	3202406	GMC	473010	3211035	WOOL	416229	32185A	JOHND	200110
319W22452	FMC	416239!	320249	TIMKE	320249	321109BG	NATL	224045	32186	GARLK	472015!
319W22726	FMC	471619!	320259	TIMKE	320259	3211172	GMC	471224!	32186	HYST	473236!
319W22822	FMC	471818	3202615	EUCLD	471554!	321124SK	SPG	223014	3218686	GMC	415960
319W22971	FMC	473440!	3202615	GMC	471554!	321148R91	IH	5592=	3218769	GMC	470059
319W22980	FMC	471958	3202618	AMC	470954	32115-C0400	HINO	225875	3218769	GMC	470380!
319W23013	FMC	471316	320265	GMC	471554!	321152HA	SPG	1108	32189	LEECE	471192
319W23033	FMC	473367!	320331	H-S	471137	321155RA	SPG	223750	3218904	AMC	2876
319W2304	FMC	472299	3203459	AMC	472560N	321157	SPG	224460	3219176	GMC	417316!
319W23144	FMC	473240!	320348	TIMKE	320348	321165	SPG	224650	32195	GARLK	410308!
319W2319	FMC	472185!	32035	GARLK	472924!	321167R92	IH	415991!	32195	GARLK	473468
319W23235	FMC	472016!	3203580	AMC	6855N=	321167R92	IH	415991!	32195	LEECE	473016!
319W23238	FMC	416267!	3203640	GMC	415023	3211759	GMC	471787!	32198	GARLK	472016!
319W23261	FMC	471138!	320384	H-S	470645	321176H	SPG	710334	3219S	GIB	472572!
319W23263	FMC	472636!	3203S	SPG	3203=	321195	NATL	471195!	321VB7	MARI	417210!
319W23310	FMC	471887	32042	GARLK	417351!	321202HA	SPG	227045	3220	C-R	50445*
319W23311	FMC	415371!	320449	UNIVE	415389*	321214VG	SPG	710164	3220403	AMC	473441
319W2332	FMC	470565!	3204510	AMC	340356	321218HA	SPG	712008	32205	HYST	472012
319W23321	FMC	415001!	320457	TIMKE	320457	321220RA	SPG	321220	32210	GARLK	473243
319W23339	FMC	415458!	320462	UNIVE	416332!	321224	NATL	471224!	3221338	GMC	470712!
319W23356	FMC	417344!	320463	MICH	416332!	321237	H-S	473215!	3221339	GMC	473225!
319W2336	FMC	416271!	320475	MICH	415937!	321251HA	SPG	223602	3221342	GMC	416738!
319W23522	FMC	416865!	320475	UNIVE	415937!	3212529	GMC	450593!	3221342	GMC	450096
319W23838	FMC	416267!	3204830	AMC	PSK-1	321255	SPG	471255!	3221709	GMC	473460
319W24	C-R	472409!	320487	UNIVE	417355!	321264	NATL	471264!	32218	GARLK	413469!
319W24-M1	C-R	472409!	320488	MICH	417355!	321267	TIMKE	471267	322228	H-S	472179
319W25	C-R	450621*	320499	UNIVE	416125!*	321267R91	IH	415991	322240	NATL	476838!
319W26	C-R	470354*	3204S	SPG	415995=	321267R91	IH	415991!	3222550	AMC	7687S
319W26-M1	C-R	470354*	320500	MICH	416125!	321267R92	IH	415991!	322309	WOOL	415991
319W27611	FMC	85X130X13	3205000	GMC	411253!	321267R92	IH	415991	322309	WOOL	455146!
319W27612	FMC	476517	3205298	WILYS	470954!	321276	SPG	471276	3223363	AMC	5121
319W27613	FMC	476518	3205331	AMC	5111	321282R91	IH	471504	322353	TIMKE	322353
319W2766	FMC	476512	3205331	AMC	5111S	321284R1	IH	J983=	322373	TIMKE	470625
319W2769	FMC	476514	3205502	GMC	450165	321293RA	SPG	223220	322375	H-S	417316!
319W28	C-R	410737!	3205502	GMC	471801!	321298	JAC	471224!	3223795	WHITE	472636!
319W28-M1	C-R	410737!	32056	GARLK	472397!	3212984	GMC	473419	322422	WHITE	470050
319W35510	FMC	471571	320563	NATL	2025	321299RA	SPG	223800	322424C91	IH	470565!
319W35514	FMC	415317	320563	SPG	2025	32129SRA	SPG	224020	3224704	AMC	321460
319W35515	FMC	415124	320564	TIMKE	320564	3213601	GMC	471354!	322475	MICH	417501
319W3553	FMC	415645!	320583	NATL	43X60X8!	321389	NATL	470954!	322475	UNIVE	417501
319W3556	FMC	416167!	320583	TIMKE	320583	3214	TIMKE	3214	322499	UNIVE	55030*
319W3557	FMC	416476!	320595	TIMKE	320595	321412	SPG	481163	322500	MICH	55030
319W3558	FMC	455406!	320595SS	SPG	320595	3214224	NATL	471224!	322674	CATER	471833
319W3611	FMC	451583!	320603	TIMKE	320603	321442	NATL	471442!	322681C91	IH	472492
319WL26-M1	C-R	6636S	3206237	GMC	473462	321460	TIMKE	321460	3227	TIMKE	3227

! Industrial Size/Type * Minor Width Difference = Call 1-800-480-1212 for price and delivery.

Zero Duplication or Recommended		Zero Duplication or Recommended		Zero Duplication or Recommended		Zero Duplication or Recommended		
Mfr. No.	Name	Mfr. No.	Name	Mfr. No.	Name	Mfr. No.	Name	
3228	AT-PL	473463	323715BX SPG	42X60X7!	324120R91 IH	476470	324499 UNIVE	455031!
32283	C-R	40375	32374	C-R	476470	210945	3244E GOODM	415036
3228401R91	IH	2260	32375	C-R	476470	324151 =	324500 MICH	416339
3228457R1	IH	2261	323762BX SPG	1994	324155 WHITE	415995!	324500 MICH	455031!
322862	JAC	450039	323762BX SPG	48X70X9!	3241669 AMC	3698	324507XX TIMKE	32X45X7
32288	HYST	417509	32377	C-R	476470!	32418	C-R	418028
32289	C-R	320691	32377	C-R	476470	324186	SPG	1884
32298	SPICE	471646!	32378	C-R	476470!	324189	H-S	50081
3229964	GMC	417486	32378	C-R	476470	32419	C-R	476470
3230	C-R	50445	32379	C-R	476470!	324191R91	IH	392076 * =
32301	C-R	228480	32379	C-R	476470	324192R91	IH	392077 * =
32302	C-R	228480	3237VJ	SPG	3237	3241RB	SPG	3241
32303	GARLK	471272!	32380	C-R	100494	32420007.5	TROS	410102
323039	H-S	417357	32380	C-R	476470!	324204	TIMKE	324204
323039	H-S	455192!	32380	C-R	476470 *	324207XX	TIMKE	32X42X7
32304	C-R	228480	32380D	IH	412473!	324208XX	TIMKE	32X42X8
3230430	AMC	8429S	32381	C-R	476470!	32421607.5	TROS	412920!
3231	PEERC	472924!	32381	C-R	476470	32421611	TROS	412920!
323112	NATL	470530!	3238137	AMC	3942	32422	GARLK	470565!
323113	SPG	471466!	32382	C-R	476470!	32422007.5	TROS	450133
3231145	GMC	471192	32382	C-R	476470	32422404	TROS	413247!
323119	TIMKE	323119	32383	C-R	476470!	32422407.5	TROS	413247!
32312407.5	TROS	450492	32383	C-R	476470	32422VB	TRSCM	476470
323125	TIMKE	323125	32384	C-R	476470	32423	C-R	417181!
323126	TIMKE	323126	32384	C-R	476470!	32423205	TROS	470605!
323133	TIMKE	323133	32385	C-R	100494	32423207.5	TROS	470605!
323138	NATL	323138	32385	C-R	476470!	32423208	TROS	470605!
323138	TIMKE	323138	32387	C-R	476470	324234V	TIMKE	324234V
32316008	TROS	450965	32388	C-R	476470	324234VD	SPG	324234V
32317	GARLK	471138!	32390	C-R	476470	32423TB	TRSCM	476470
323191	NATL	417316!	32392	C-R	476470!	32424	C-R	417181!
32320804	TROS	40097S	3239231R91	IH	415082	32424008	TROS	413248
32320807.5	TROS	413469!	32393	C-R	476470	324241	WHITE	471570!
32321207.5	TROS	412943	32394	C-R	476470 *	32424TA	TRSCM	476470!
32321407.5	TROS	50631	32395	C-R	476470 *	32425	C-R	417181!
32321607.5	TROS	411253!	32395	C-R	472394	324267	WHITE	472394
32321608	TROS	411253!	32396	C-R	476470	32428	C-R	417181!
32322007.5	TROS	410694!	32397	C-R	476470	32429	C-R	417181!
323220M1	C-R	451143	32397	C-R	476470!	3242D	GOODM	417357
32322404	TROS	40101S	323978	AUTOZ	BS40645	3242D	GOODM	455192!
32322407.5	TROS	412119!	32398	C-R	476470	3243	PEERC	473467!
32322409.5	TROS	412119	323981	AUTOZ	BS40644	32430	C-R	417181!
32322412	TROS	412119!	32399	C-R	476470	324307XX	TIMKE	32X43X7
32323007.5	TROS	50560	324-X416	C-R	7208S	32431	C-R	417181!
32323207.5	TROS	410496!	3240	C-R	50445	32432	C-R	417181!
32324007.5	TROS	412871!	3240086	AMC	9912	32433	C-R	417181!
3232755	GMC	450811 =	32401	C-R	476470	32434	GARLK	413246
32329	GARLK	472636!	324014R91	IH	471224!	324341C91	IH	100495
3232A	HERCU	455189	32402	C-R	476470!	324341C91	IH	417349
32330	C-R	710180	32402	C-R	476470	324342R91	IH	350156
32332	C-R	710180	32403	C-R	476470!	324342R91	IH	473096
323324VG	SPG	3476V	32403	C-R	476470 =	32435	C-R	417181!
3233871	GMC	471766!	324043R91	IH	416888!	32436	C-R	417181!
32341	GARLK	412920!	324046BX	SPG	30X52X7	32437	C-R	200870
32343	C-R	417362!	32404TA	TRSCM	417433!	324373R91	IH	472397!
32344	C-R	417433 *	32404TA	TRSCM	455566	324394	H-S	471649!
32344	C-R	417433	32406	C-R	476470!	324395	H-S	471652
32348	C-R	417433!	32406	C-R	476470	3243D	GOODM	416130!
32350	C-R	417433	3240D	GOODM	416339	32441	C-R	7208S
32351	C-R	417433!	3240D	GOODM	455031!	32442	C-R	7208S
323562C91	IH	415449	3241	FMS	223010	32446	C-R	418028
32358	KINGN	476838!	32410	C-R	100494	32446	C-R	455137!
3235929	AMC	473228!	32410	C-R	476470!	32446	C-R	413247!
32360	C-R	455566	324112	TIMKE	324112	324475	MICH	415379!
32362	C-R	455566	324112SSO	SPG	324112	324475	MICH	415379
32362	GARLK	415259!	324115R	SPG	223235	324475	UNIVE	415379!
32364	C-R	476470	324115R	SPG	32X46X6!	324475	UNIVE	415379
32368	C-R	476470	324115RR	SPG	223235	32448	C-R	418028 *
32371	C-R	476470!	324115RR	SPG	32X46X6!	324487	UNIVE	417205!
32371	C-R	476470	324118	WHITE	417484!	324488	MICH	417205!
3237134	GMC	415937!	32412	C-R	476470	32449	C-R	418028 *
323715BX	SPG	1953	324120R91	IH	476470!	324499	UNIVE	416339
324120R91	IH	476470	32414810	TROS	210945	324151RX	SPG	324151 =
324151RX	SPG	324151 =	324155	WHITE	415995!	3241669	AMC	3698
324155	WHITE	415995!	32418	C-R	476470	324186	SPG	1884
3241669	AMC	3698	324189	H-S	50081	32419	C-R	476470
32418	C-R	476470	324191R91	IH	392076 * =	324192R91	IH	392077 * =
324186	SPG	1884	3241RB	SPG	3241	32420007.5	TROS	410102
324189	H-S	50081	324204	TIMKE	324204	324207XX	TIMKE	32X42X7
32419	C-R	476470	324208XX	TIMKE	32X42X8	32421607.5	TROS	412920!
324191R91	IH	392076 * =	32421611	TROS	412920!	32422	GARLK	470565!
324192R91	IH	392077 * =	32422	GARLK	470565!	32422007.5	TROS	450133
3241RB	SPG	3241	32422404	TROS	413247!	32422407.5	TROS	413247!
32420007.5	TROS	410102	32422VB	TRSCM	476470	32423	C-R	417181!
324204	TIMKE	324204	32423	C-R	417181!	32423205	TROS	470605!
324207XX	TIMKE	32X42X7	32423207.5	TROS	470605!	32423208	TROS	470605!
324208XX	TIMKE	32X42X8	324234V	TIMKE	324234V	324234VD	SPG	324234V
32421607.5	TROS	412920!	324234VD	SPG	324234V	32423TB	TRSCM	476470
32421611	TROS	412920!	32423TB	TRSCM	476470	32424	C-R	417181!
32422	GARLK	470565!	32424	C-R	417181!	32424008	TROS	413248
32422007.5	TROS	450133	324241	WHITE	471570!	324241	WHITE	471570!
32422404	TROS	413247!	32424TA	TRSCM	476470!	32425	C-R	417181!
32422407.5	TROS	413247!	32425	C-R	417181!	324267	WHITE	472394
32422VB	TRSCM	476470	324267	WHITE	472394	32428	C-R	417181!
32423	C-R	417181!	32428	C-R	417181!	32429	C-R	417181!
32423205	TROS	470605!	32429	C-R	417181!	3242D	GOODM	417357
32423207.5	TROS	470605!	3242D	GOODM	417357	3242D	GOODM	455192!
32423208	TROS	470605!	3242D	GOODM	455192!	3243	PEERC	473467!
324234V	TIMKE	324234V	3243	PEERC	473467!	32430	C-R	417181!
324234VD	SPG	324234V	32430	C-R	417181!	324307XX	TIMKE	32X43X7
32423TB	TRSCM	476470	324307XX	TIMKE	32X43X7	32431	C-R	417181!
32424	C-R	417181!	32431	C-R	417181!	32432	C-R	417181!
32424008	TROS	413248	32432	C-R	417181!	32433	C-R	417181!
324241	WHITE	471570!	32433	C-R	417181!	32434	GARLK	413246
32424TA	TRSCM	476470!	32434	GARLK	413246	324341C91	IH	100495
32425	C-R	417181!	324341C91	IH	100495	324341C91	IH	417349
324267	WHITE	472394	324342R91	IH	350156	324342R91	IH	473096
32428	C-R	417181!	324342R91	IH	473096	32435	C-R	417181!
32429	C-R	417181!	32435	C-R	417181!	32436	C-R	417181!
32429	C-R	417181!	32436	C-R	417181!	32437	C-R	200870
3242D	GOODM	417357	32437	C-R	200870	324373R91	IH	472397!
3242D	GOODM	455192!	324373R91	IH	472397!	324394	H-S	471649!
3243	PEERC	473467!	324394	H-S	471649!	324395	H-S	471652
32430	C-R	417181!	324395	H-S	471652	3243D	GOODM	416130!
324307XX	TIMKE	32X43X7	3243D	GOODM	416130!	32441	C-R	7208S
32431	C-R	417181!	32441	C-R	7208S	32442	C-R	7208S
32432	C-R	417181!	32442	C-R	7208S	32446	C-R	418028
32433	C-R	417181!	32446	C-R	418028	32446	C-R	455137!
32434								

Zero Duplication or Recommended Industrial		Zero Duplication or Recommended Industrial		Zero Duplication or Recommended Industrial		Zero Duplication or Recommended Industrial					
Mfr. No.	Name	Mfr. No.	Name	Mfr. No.	Name	Mfr. No.	Name				
32519	C-R	418028	32583	C-R	415023*	326488	MICH	417504	3282	PEERC	417344!
3252	C-R	412027	325836	NATL	415995!	326499	UNIVE	455032!*	32820804	TROS	6380
325207XX	TIMKE	32X52X7	325836	NATL	415995!	326500	MICH	455032!	32822	HYST	55301S
32521	C-R	418028	32584	C-R	415023	326525	MICH	455189	328220	TORO	410059
32521	C-R	455137!	32585	C-R	415023	326525	UNIVE	455189*	328220	TORO	470380!
325210	C-R	411394!	325905	NATL	415001!	32656	GARLK	417343!	32822B	HYST	55301S
325210	FAIRB	411394!	32591	C-R	415023	326594	H-S	417205!	328475	MICH	417210!
325210M1	C-R	411394!	32595	C-R	418028	326601	GMC	1174	328475	UNIVE	417210!
325212	C-R	413246	325954	WHITE	470625!	326601	GMC	38X52X8.5!	328487	UNIVE	417211!
325212M1	C-R	413246	32597	C-R	455328	326645	JAC	472258	328488	MICH	417211!
325214	C-R	412040	325988	WHITE	473313	32669	DIVCO	240356	328499	UNIVE	416345!
325214M1	C-R	412040	32599	C-R	455328*	3267	PEERC	410496!	328499	UNIVE	455033
325216	C-R	471271!	325A28	C-R	472636!*	326703R91	IH	471835!	328500	MICH	416345!
32522	C-R	450313	325AMM28	C-R	472636!*	32676	GARLK	417158!	328500	MICH	455033
32522M1	C-R	450313	325B216	C-R	471271!	32683	GARLK	416664!	328512	UNIVE	415697!
32523	C-R	418028	325B28	C-R	472636!	326871	JAC	473454	328512	UNIVE	455547
32523	C-R	455137!	325BM28	C-R	472636!	326877	Y-T	455462	328525	MICH	417366!*
32524	C-R	473243	325CHA28	C-R	472636!	326964	ACF	471646!	328525	UNIVE	417366!*
32524M1	C-R	473243	325F214	C-R	412040	326964	H-S	471646!	32875	HYST	412040
32525	C-R	473245!	325F28	C-R	472636!*	32698	GARLK	415984!	3289OS	JN-MN	55228=
32526	C-R	473245!	325FF216	C-R	442380	326MA28-L	C-R	472636!	328B21604	TROS	41075S
32526	HU-WR	473245!	325FM128	C-R	472636!*	326R	TIMKE	326PKG	328R	TIMKE	328PKG
32526M1	C-R	473245!	325G216	C-R	442380	327026	H-S	471442!	3292	TIMKE	3292
32528	C-R	472636!	325G28	C-R	40316S	32710	GARLK	417316!	3292BG1	SPG	3292
32528K	FAIRB	472636!	325HD216	C-R	442380	32712	WAYNE	450044	329313C91	IH	470682
32528M1	C-R	472636!	325HMS216-L	C-R	7018N=	32712M	IH	473426	329551	SPICE	6808N
3252M1	C-R	412027	325N28	C-R	472636!	327134R91	IH	473228!	32968	HYST	413247!
32533	DIVCO	474278!	325R	TIMKE	325PKG	32715	C-R	228250	32969	HYST	415371
32536	GARLK	471271!	325R222	C-R	6532S=	32719	GARLK	415960	32982	SPICE	6808N
32536	GR-DV	473245!	325R222-Y12	C-R	6532S=	327203VG	SPG	327203V	329J-225	MACK	370033A
325369	H-S	471224!	325W128	C-R	451078!	327208XX	TIMKE	32X72X8	329R	TIMKE	329PKG
32538	C-R	417353!	325W128-M1	C-R	451078!	327215	TIMKE	327215	329QF259	MACK	370001A
32538	GOODM	472636!	325W2	C-R	412027	327228R91	IH	416888!	32QJ-00127A	MACK	370003A
32540	C-R	417353!*	325W2-M1	C-R	412027	327229R91	IH	455480!	32QJ-131-A	MACK	370048A
325400VG	SPG	228250	325W210	C-R	411394!	327230R91	IH	455480!	32QJ-131-A	MACK	380048A
325400VG	SPG	710448	325W210-M1	C-R	411394!	327240R91	IH	7516	32QJ-133A	MACK	370033A
32541	C-R	417353!	325W212	C-R	413246	327245	WHITE	472016	32QJ-156	MACK	370020A
325410XX	TIMKE	32X54X10	325W212M1	C-R	413246	327267	WHITE	472394	32QJ-158-	MACK	370048A
32542	C-R	417353!	325W214	C-R	412040	327303	NATL	327303	32QJ-158-	MACK	380048A
325421	SPICE	5131	325W214-M1	C-R	412040	327303	TIMKE	327303	32QJ-160	MACK	370048A
32543	C-R	417353!	325W216	C-R	471271!	327305	NATL	415725!	32QJ-160	MACK	380048A
32544	C-R	417353!	325W216-M1	C-R	471271!	327321R91	IH	470712!	32QJ-161	MACK	AR12+370033A
325472	JAC	471267!	325W22	C-R	450313	327364R91	IH	240319	32QJ-164	MACK	370023A
32548	GARLK	470605!	325W22-M1	C-R	450313	327380R91	IH	416865!	32QJ-165	MACK	370036A
325485	JAC	472475	325W24	C-R	473243	327381R91	IH	415551	32QJ-165	MACK	370349A
32551	GARLK	415449!	325W24-M1	C-R	473243	32740	WAYNE	5751	32QJ-175	MACK	370006A
325510A	HARWA	32X55X10	325W26	C-R	473245!	327535	ALLCH	204013	32QJ-179	MACK	370003A
325518	SPG	85X120X12	325W28	C-R	472636!	3275S	SPG	3275=	32QJ-19301	MACK	370001A
325518BG	SPG	85X120X12	325W28-M1	C-R	472636!	327615	WHITE	473215!	32QJ-19302	MACK	370007A
325529BG	SPG	60X90X10	325W425	CONE	5169	3276SK	SPG	3276=	32QJ-19303	MACK	370001A
32553	C-R	415577	325Z210	C-R	411394!	32770	GARLK	415303!	32QJ-19320	MACK	370001A
32554	C-R	415577	326008XX	TIMKE	32X60X8	3277551	GMC	415035!	32QJ-19321	MACK	370001A
32555	C-R	55236	326010XX	TIMKE	32X60X10	3277551	GMC	415035	32QJ-19322	MACK	370007A
32557	GARLK	415449!	32602	WAYNE	450540	32782	GARLK	417344!	32QJ-19325	MACK	370003A
325588VG	SPG	710237	32603	WAYNE	455321	32788A	KINGN	240731	32QJ-19326	MACK	370030A
325589V	SPG	229210	32605	C-R	455328*	3278VG0	SPG	416271=	32QJ-19327	MACK	370001A
32559	C-R	415577	32615	SPICE	6465	32791	GARLK	417158!	32QJ-19329	MACK	370023A
32560	C-R	456305*	32617	GARLK	413248	327936H	NATL	227045	32QJ-19336	MACK	370003A
32560F	DIA	471570!	326208XX	TIMKE	32X62X8	327995	TIMKE	327995	32QJ-19337	MACK	416892
32561	C-R	416865!*	326216M1	C-R	471271!	327M5	WHITE	473367	32QJ-19340	MACK	370001A
325610XX	TIMKE	32X56X10	3262537	GMC	411376!	327M5	WHITE	473367!	32QJ-19347	MACK	370007A
32563	C-R	416865!	3262538	GMC	416921!	327R	TIMKE	327PKG	32QJ-19353	MACK	370003A
32563	GARLK	415449!	326283C91	IH	6635S	327SSK	SPG	3276=	32QJ-19354	MACK	370003A
325641HA	SPG	228700	3262W-179	ROCKW	HU019A	327W28	C-R	472636!	32QJ-19355	MACK	370003A
325657SS	SPG	170X200X15	32632	GARLK	415483	328062	JAC	471766!	32QJ-19366	MACK	370001A
325662VD	SPG	325662V	32635	US-EL	415302	3280S6649	GAL	JV1935=	32QJ-19369	MACK	370023A
325668	H-S	472287!	326370	HYST	470774!	3280S6650	GAL	JV1936=	32QJ-19371	MACK	370001A
32569	GARLK	416273	32640	C-R	5408	328106R91	IH	473224=	32QJ-19373	MACK	370003A
32570	C-R	415023	32644	GARLK	415458!	32812	GARLK	416921!	32QJ-19374	MACK	370023A
32571	C-R	415023	326475	MICH	455178=	3281204	GMC	471570!	32QJ-19377	MACK	370006A
325808XX	TIMKE	32X58X8	326475	UNIVE	455178=	32815	C-R	455500	32QJ-19378	MACK	370006A
32582	C-R	415023*	326487	UNIVE	417504	32815	C-R	455500!	32QJ-225	MACK	370033A

! Industrial Size/Type * Minor Width Difference = Call 1-800-480-1212 for price and delivery.

Zero Duplication or Recommended		Zero Duplication or Recommended		Zero Duplication or Recommended		Zero Duplication or Recommended		
Mfr. No.	Name	Industrial	Mfr. No.	Name	Industrial	Mfr. No.	Name	
32QJ-226	MACK	370048A	32X52X7TC	TRSCM	32X52X7!	3302025	GMC	
32QJ-226	MACK	380048A	32X54X10SC	TRSCM	32X54X10	33031	CHERY	
32QJ-233	MACK	415058	32X54X10TC	TRSCM	32X54X10	33033	C-R	
32QJ-235	MACK	370065A	32X55X10	SIMRT	32X55X10	33033	GARLK	
32QJ-237	MACK	370003A	32X56X10SC	TRSCM	32X56X10!	33033	GARLK	
32QJ-241	MACK	416892	32X56X10TC	TRSCM	32X56X10!	330385	NATL	
32QJ-243	MACK	415058	32X60X10SC	TRSCM	32X60X10	330385	TIMKE	
32QJ-250	MACK	370023A	32X60X10TC	TRSCM	32X60X10	33040	C-R	
32QJ-29301	MACK	370007A	32X60X8SC	TRSCM	32X60X8!	33041	C-R	
32QJ-29302	MACK	370001A	32X60X8TC	TRSCM	32X60X8!	330414	NATL	
32QJ-29304	MACK	370023A	32X62X8SC	TRSCM	32X62X8	330414	SPG	
32QJ-29306	MACK	471272!	32X62X8TC	TRSCM	32X62X8	330414	TIMKE	
32QJ-29316	MACK	370023A	32X72X8SC	TRSCM	32X72X8	33042	GARLK	
32QJ-29318	MACK	416892	32X72X8TC	TRSCM	32X72X8	330480	SPG	
32QJ-329	MACK	370023A	33	BL-KN	471689!	330487	UNIVE	
32QJ-330	MACK	370019A	330-3002	STEM	730009	330488	MICH	
32QJ-110	MACK	417492	330-3005	STEM	730007	330499	UNIVE	
32QJ111C	MACK	417172	330-3006	STEM	730018	330500	MICH	
32QJ112B	MACK	370019A	330-3007	STEM	733067	330525	MICH	
32QJ115A	MACK	370011A	330-3008	STEM	730005	330525	UNIVE	
32QJ116B	MACK	417172	330-3009	STEM	733067	33053	C-R	
32QJ118A	MACK	416892	330-3011	STEM	730022	330532	HYST	
32QJ119	MACK	370033A	330-3012	STEM	730026	330663	TIMKE	
32QJ120	MACK	370011A	330-3013	STEM	733067	330699	TIMKE	
32QJ121A	MACK	370011A	330-3014	STEM	733067	33070	C-R	
32QJ122A	MACK	370011A	330-3016	STEM	730035	33070	C-R	
32QJ127A	MACK	370003A	330-3019	STEM	730009	33073	C-R	
32QJ130A	MACK	370007A	330-3022	STEM	730023	330749	SPG	
32QJ135A	MACK	415058	330-3023	STEM	730010	330749V	TIMKE	
32QJ136A	MACK	370030A	330-3024	STEM	730004	330749VG1	SPG	
32QJ140	MACK	370033A	330-3025	STEM	730003	33077	C-R	
32QJ228	MACK	370007A	330-3028	STEM	730001	3308001	BEHLN	
32QJ238	MACK	417172	330-3031	STEM	730019	3308008	BEHLN	
32QJ238A	MACK	417172	330-3034	STEM	730027	3308008	BEHLN	
32QJ240	MACK	370069A	330-3035	STEM	730003	330810	WAGMA	
32QJ240	MACK	380069A	330-3037	STEM	730031	330867H	SPG	
32QJ242	MACK	370019A	330-3039	STEM	730034	330931	WAGNR	
32QJ246	MACK	370002A	330-3040	STEM	730008	3309507	GMC	
32QJ248	MACK	370033A	330-3041	STEM	730016	330R	TIMKE	
32QJ249	MACK	370037A	330-3042	STEM	730149	331007C91	IH	
32QJ249	MACK	370338A	330-3044	STEM	730017	331007C91	IH	
32QJ252	MACK	370048A	330-3045	STEM	730012	3310206	PEERC	
32QJ252	MACK	380048A	330-3046	STEM	730006	331028	PEERC	
32QJ266	SPICE	370003A	330-3056	STEM	730030	33103	PEERC	
32X17610A	JOHND	J1121	330-3060	STEM	730024	33104	GARLK	
32X21486A	JOHND	417343!	330-3066	STEM	730025	33107	GEM	
32X22376A	JOHND	417343!	330-3077	STEM	357	33100S	JN-MN	
32X22480A	JOHND	471684!	330-3078	STEM	730029	3311035	WOOL	
32X22481A	JOHND	470590	330-3080	STEM	730003	331107	SPG	
32X38693A	JOHND	417343!	330-3097	STEM	730149	331107N	NATL	
32X42X7AN(35)	ISP	32X42X7	330-3105	STEM	733105	331107N	TIMKE	
32X42X8SC	TRSCM	32X42X8!	330-3106	STEM	733106	331129	SPG	
32X42X8TC	TRSCM	32X42X8!	330-3107	STEM	733107	33114	C-R	
32X45X7SC	TRSCM	32X45X7	330-3108	STEM	733108	33116	GARLK	
32X45X7TC	TRSCM	32X45X7	330-3109	STEM	733109	331173	TIMKE	
32X46X6SC	TRSCM	32X46X6!	330-3110	STEM	733110	331210VG	SPG	
32X46X6TC	TRSCM	32X46X6!	330-3111	STEM	733111	33121608	TROS	
32X47X7	NATL	3476	330-3112	STEM	733112	3312226	CLARK	
32X47X7SC	TRSCM	32X47X7!	330-3113	STEM	733113	331224	WAGMA	
32X47X7TC	TRSCM	32X47X7!	330-3114	STEM	733114	33122407	TROS	
32X48X8SC	TRSCM	32X48X8!	330-3115	STEM	733115	33122408	TROS	
32X48X8TC	TRSCM	32X48X8!	330-S550	UNIVE	417506	33122411	TROS	
32X50X8	FORSH	32X50X8	3300-10131	STLPD	JN-MN	509516	331227H	TIMKE
32X50X8	NATL	223250	3300-11793	STLPD	JN-MN	509516	331228	SPG
32X50X8	NATL	710415	330031	SPICE	476470	33122808	TROS	
32X50X8	SIMRT	32X50X8	33004143	CHRY	716445	331228H	TIMKE	
32X50X8SC	TRSCM	32X50X8	33004681	CHRY	321640	33123608	TROS	
32X50X8TC	TRSCM	32X50X8	33009	GARLK	417349!	33123608C	TROS	
32X51176A	JOHND	471442!	330113	SPICE	50199S!	33123808	TROS	
32X51176B	JOHND	471442!	330113	SPICE	6863S!	33125	C-R	
32X52X11TC	TRSCM	1167	33017	HYST	411394!	33126	C-R	
32X52X7SC	TRSCM	32X52X7!	33018	GARLK	417350!	33127	C-R	
331301	AT SU	331301N	3302025	GMC	412473!	331301	AT SU	
331301N	TIMKE	331301N	33031	CHERY	472015!	331301N	TIMKE	
33136	C-R	415085!	33033	C-R	455500*	33136	C-R	
33136	C-R	456648	33033	GARLK	415995!	33136	C-R	
33139	C-R	415085!	33033	GARLK	415995!	33139	C-R	
33139	C-R	456648	330385	NATL	330385!	33139	C-R	
3313904	GMC	472397!	330385	TIMKE	330385	3313904	GMC	
33140	C-R	415085!	33040	C-R	455500*	33140	C-R	
33140	C-R	456648	33041	C-R	455500	33140	C-R	
33143	GARLK	417171!	330414	NATL	472311!	33143	GARLK	
331454SA	TRSCM	456648	330414	SPG	472311	331454SA	TRSCM	
3314727	GMC	473211!	330414	TIMKE	472311	3314727	GMC	
3314728	GMC	471868	33042	GARLK	417351!	3314728	GMC	
331495	JAC	471413!	330480	SPG	323138!	331495	JAC	
3315623	FULLE	710211	330487	UNIVE	417967!	3315623	FULLE	
3315624	EATON	712512	330488	MICH	417967!	3315624	EATON	
331572	JAC	470954!	330499	UNIVE	415034!	331572	JAC	
3315763	GMC	415219	330500	MICH	415034!	3315763	GMC	
3315821	GMC	472439	330525	MICH	455191*	3315821	GMC	
33163	JOHND	481864	330525	UNIVE	455191*	33163	JOHND	
3317031	GMC	417604	33053	C-R	455500	3317031	GMC	
33177	C-R	415085!	330532	HYST	456967V!	33177	C-R	
33177	C-R	456648	330663	TIMKE	472354	33177	C-R	
331808C91	IH	471570!	330699	TIMKE	330699	331808C91	IH	
331810C91	IH	471827!	33070	C-R	710294	331810C91	IH	
331817	PEERC	473229	33070	C-R	84X100X12!*	331817	PEERC	
33186	C-R	416313	33073	C-R	416292*	33186	C-R	
33187	GEM	474278!	330749	SPG	8421S	33187	GEM	
3318749	GMC	417606	330749V	TIMKE	330749V	3318749	GMC	
3318750	GMC	417210!	330749VG1	SPG	330749V	3318750	GMC	
331882H	SPG	473459	33077	C-R	416292	331882H	SPG	
331882H	TOWNR	473459	3308001	BEHLN	471538!	331882H	TOWNR	
33195	C-R	455024*	3308008	BEHLN	350909	33195	C-R	
331G210	C-R	5924	3308008	BEHLN	471224!	331G210	C-R	
331G28	C-R	44052	330810	WAGMA	413248	331G28	C-R	
331R	TIMKE	331PKG	330867H	SPG	470898!	331R	TIMKE	
3320	TLSMI	471538!	330931	WAGNR	416362	3320	TLSMI	
332013	PEERC	471766!	3309507	GMC	417196!	332013	PEERC	
332018	PEERC	473228	330R	TIMKE	330PKG	332018	PEERC	
33202	CUSH	472287!	331007C91	IH	415991!	33202	CUSH	
33202E	CUSH	472287!	331007C91	IH	415991	33202E	CUSH	
3320340	PEERC	471686	3310206	PEERC	417344!	3320340	PEERC	
332040	PEERC	473010	331028	PEERC	473228	332040	PEERC	
33206	C-R	415085!*	33103	PEERC	417344!	33206	C-R	
332062	TIMKE	332062	33104	GARLK	417621!	332062	TIMKE	
33209	C-R	455024	33107	GEM	417267	33209	C-R	
33209	CRUSA	17720	33100S	JN-MN	472164!	33209	CRUSA	
33210	C-R	455024	3311035	WOOL	415074	33210	C-R	
332104	JAC	471649!	331107	SPG	331107N	332104	JAC	
332134	TIMKE	332134	331107N	NATL	331107N!	332134	TIMKE	
332187	SPG	8804S=	331107N	TIMKE	331107N	332187	SPG	
33221	GARLK	476470	331129	SPG	473231!	33221	GARLK	
3322107	GMC	473226	33114	C-R	416292	3322107	GMC	
33221608	TROS	411376!	33116	GARLK	416288!	33221608	TROS	
33221611.25	TROS	411376!	331173	TIMKE	331173	33221611.25	TROS	
332220135	TROS	416444	331210VG	SPG	331210V	332220135	TROS	
33222408	TROS	416273!	33121608	TROS	455136	33222408	TROS	
33222411.25	TROS	416271!	3312226	CLARK	9613S	33222411.25	TROS	

Mfr. No.	Name	Zero Duplication or Recommended Industrial	Mfr. No.	Name	Zero Duplication or Recommended Industrial	Mfr. No.	Name	Zero Duplication or Recommended Industrial	Mfr. No.	Name	Zero Duplication or Recommended Industrial
33250	C-R	455612=	33434TA	TRSCM	412473	33528	C-R	411253!	336276R91	IH	415995!
3325179	GMC	415937!	33440	C-R	85X115X12!	33528	FAIRB	411253!	336276R92	IH	415995!
33254	C-R	100557	33440	C-R	85X115X13!*	33528	GR-DV	411253!	33628	C-R	5128N
33254	C-R	4544V	33440	TROS	5711	33528M1	C-R	411253!	3362RC	SUL	473236!
332590	SPG	8750S	33443	C-R	85X115X13	33528M1	CR-CF	411253!	33633	ACF	471341!
332590SK	SPG	8750S	334510	WHITE	471785!	335447	GMC	5070	33643	GATES	35402
33260	C-R	455612* =	33454	C-R	228410	33555	C-R	85X120X12	33643	GATES	427RR
33261	TROS	450143	33454SA	TRSCM	417191	33557	C-R	85X120X12!	33645	C-R	415442
332671	WHITE	473228!	33454SA	TRSCM	456585	3355OS	JN-MN	450165	33645	C-R	55442
33270A20	AM HO	415116	33454TA	TRSCM	417191	3355OS	JN-MN	471801!	33646	GARLK	416041
33275	GARLK	417353!	33460	C-R	710088	33563	C-R	85X120X12!	33650	C-R	415442
332860	Y-T	415076	33460	GARLK	416624!	33568	GARLK	416332!	33650	C-R	55442
3328698	CUMMI	100467	33464TA	TRSCM	417354!	3357	TIMKE	3357	33653	ACF	471341!
3328698	CUMMI	5732	334653	PEERC	470712!	33570	C-R	85X125X12	33653	HYST	471341!
3328759	CUMMI	5728	334728	CATER	473229!	33580	GARLK	415937!	336537	WAGMA	416154!
3328760	CUMMI	5734	33473	WAYNE	450332	33585	C-R	85X130X13	33654	C-R	475996H=
3328761	CUMMI	5732	3348	TIMKE	3348	33590	C-R	85X130X13	33655	GARLK	415379
332901C91	IH	473451!	33484	GARLK	415991!	335924N	TIMKE	335924N	33661	GATES	35524
3329522	GMC	471192	33484	GARLK	415991	33593	C-R	85X130X13	33662	C-R	416294!
3329BG	SPG	473238	33489	SPICE	471835!	3359RC	SUL	415991	336626R91	IH	472636
332A23204	TROS	8975S	33499	GARLK	417196!	3359RC	SUL	455146!	33663	C-R	416294!
332A233X04.5	TROS	8975S	334F212-L	C-R	412119!*	335A212	C-R	412119!*	336631R91	IH	8481=
332FF216-L	C-R	6785	334FF24	C-R	413469!	335B212	C-R	412119*	336631R92	IH	8481=
332R	TIMKE	332PKG	334HMS212-T8	C-R	412119!	335B220	C-R	412871!	33664	C-R	416294!
333009	WAGMA	470898	334HMS220	C-R	412871!	335B28	C-R	411253!*	336644	PEERC	476838!
3333	PEERC	415379	334N212	C-R	412119*	335BM28	C-R	411253!	336648	PEERC	472397!
3333	PEERC	415379!	334N212-T8	C-R	412119*	335F212	C-R	412119!*	33665	C-R	416294!
33346	GARLK	416294!	334R	TIMKE	334PKG	335F216	C-R	410496!*	336652	PEERC	473228
33352	VIC	473230!	335012XX	TIMKE	33X50X12	335FF220	C-R	412871!	336656	PEERC	417262!
33353	SPICE	473214!	3350BP	SPG	3369=	335FM212	C-R	412119!*	336659	PEERC	412119!
33353	VIC	473214!	3350RB	SPG	3350	335FM216	C-R	410496!*	33666	C-R	416294!
333625	PEERC	471354!	33511	GARLK	415437	335G216	C-R	40496S=	33667	C-R	417491
33364	GARLK	412473!	335131	C-R	450111	335G24	C-R	40097S	33667	GARLK	417205!
333642	PEERC	470712!	33516008	TROS	417474	335HD212	C-R	40101S	33669	C-R	475996H=
333745C11	ROCKW	370023A	335164	JAC	471737	335HD220	C-R	412871!	33670	C-R	412473!
333750R91	IH	417316!	335196	GMC	3173	335R	TIMKE	335PKG	33682	C-R	412473!
33376	CRUSA	17720	335196	GMC	710928	335W210	C-R	410694!*	33682	GARLK	416339
33379	GARLK	417191	33519959	NOK	135X160X13	335W212	C-R	412119!	336862	JAC	470954!
333794R91	IH	473214!	3351OS	JN-MN	471141!	335W212-M1	C-R	412119!	336863	JAC	471442!
333840R91	IH	471643!	335206XX	TIMKE	33X52X6	335W214	C-R	411500*	33690	C-R	412473!
333843R91	IH	473214!	33520808	TROS	415349	335W214-M1	C-R	411500*	33691	C-R	412473!
33390	C-R	477055	335210	C-R	410694!	335W215	C-R	50560	336918	ALLCH	205017
33394	GARLK	417354!	335210A	HARWA	33X52X8.5	335W216	C-R	410496!	336962	JAC	471267!
333949R91	IH	471267!	335210M1	C-R	410694!	335W216-M1	C-R	410496!	33698	C-R	412473!
333983	WAGNR	416404=	335212	C-R	412119!	335W22	C-R	450532*	33699	C-R	412473
333996R91	IH	415458!	335212	FAIRB	412119!	335W220	C-R	412871!	336C124	C-R	210945
333996R92	IH	415458!	335212	GR-DV	412119!	335W220-M1	C-R	412871!	336F28	C-R	412920!
333998R91	IH	472258!	335212K	SUL	412119!	335W24	C-R	413469!*	336R	TIMKE	336PKG
3339S	SPG	417158=	335212M1	C-R	412119!	335W24-M1	C-R	413469!*	336WL216-Y23	C-R	470605!
333R	TIMKE	333PKG	335212T8	C-R	412119!	335W26	C-R	412943*	33700	C-R	412473*
334001	GMC	473210	335214	C-R	411500	335W27	C-R	50631	33700	C-R	412473!
33405	C-R	228410	335216	C-R	410496!	335W28	C-R	411253!	33701	C-R	412473*
3340RC	SUL	415034!	335216M1	C-R	410496!	335W28-M1	C-R	411253!	33701	C-R	412473!
3341	TIMKE	3341	33522	C-R	450532	33601	GARLK	417355!	33703	C-R	412473!
33410	C-R	85X105X13	335220	C-R	412871!	336013R91	IH	417191	33704	C-R	412473!
334111	TIMKE	334111	335220M1	C-R	412871!	336018R91	IH	330385!	33705	C-R	412473!
334111SS	SPG	334111	33522808	TROS	417073	336052R91	IH	471255!	33706	C-R	412473!
33412	C-R	716102	33523207.5	TROS	415001!	336053R91	IH	471255!	33707	C-R	412473!
33413	C-R	716102	33523208	TROS	415001!	336090	JAC	471984	33711	C-R	412473!
33415	C-R	85X105X13!	33523208C	TROS	415001!	33610	GATES	35126	33711	C-R	412473*
3341D	GOODM	417511	33523210	TROS	415001!	33610	GATES	427RR	337111	SPICE	411962=
3341RC	SUL	415645!	33524	C-R	413469!	336106R91	IH	450311	337111	VIC	411962=
3341RC	SUL	455104	33524	HARN	413469!	336107R91	IH	471652	33712	C-R	412473*
33425	C-R	228520	33524007.5	TROS	417079	33613	GARLK	416125!	33712	C-R	412473!
33425	C-R	85X110X10	33524808	TROS	417484!	33617	DEXTR	473235	3371222	GMC	415035
33425	C-R	85X110X12!	33524810	TROS	417484!	33617	GATES	35292	337128	C-R	410524
33426	C-R	85X110X12V	33524M1	C-R	413469!	33617	KELSE	473235	337128M1	C-R	410524
33427	C-R	228520	33525	C-R	412943	33617	LIGET	473235	337131	C-R	450497=
33427	C-R	85X110X12!	33525M1	C-R	412943	3362	HYST	473446	33716	C-R	412473!
33428	C-R	85X110X12V	33526	C-R	412943	336212J	SUL	412119!	33717	C-R	412473!
33429	C-R	228520	33526M1	C-R	412943	336274R91	IH	471692!	3372	C-R	410102
33429	C-R	85X110X12!	33527	C-R	50631	336275R91	IH	471692=	33721	GARLK	417211!

! Industrial Size/Type * Minor Width Difference = Call 1-800-480-1212 for price and delivery.

Zero Duplication or Recommended		Zero Duplication or Recommended		Zero Duplication or Recommended		Zero Duplication or Recommended		
Mfr. No.	Name	Mfr. No.	Name	Mfr. No.	Name	Mfr. No.	Name	
337210	C-R	450133	3379282 GMC	416654!	3386221 GMC	416332!	340-4036 STEM	HU036A
337212	C-R	413247!	3379283 GMC	473473	33866 C-R	416327*	340-4037 STEM	HU037A
337212M1	C-R	413247!	33793 C-R	417354!	3387168 GMC	474278!	340-4039 STEM	HU039A
337214	C-R	413478	33793D IH	416153!	338725C91 IH	416706!	340-4042 STEM	HU042A
337214M1	C-R	413478	33795 C-R	417354!	3387499 GMC	471138!	340-4046 STEM	HU009A
337216	C-R	470605!	3379OS JN-MN	416158	3388 TIMKE	3388	340-4049 STEM	HU149A
337216M1	C-R	470605!	337FF214-L C-R	413478	338815R91 IH	471785!	340-4050 STEM	HU042A
33722	C-R	450343	337R TIMKE	337PKG	338817R91 IH	417351!	340-4057 STEM	HU057A
337220M1	C-R	413248	337W128 C-R	410524*	338874R91 IH	472924!	340-4058 STEM	HU058A
33723	C-R	412473!	337W2 C-R	410102*	338875R91 IH	471224!	340-4065 STEM	HU065A
337240	PEERC	471766!	337W2-M1 C-R	410102*	338877R91 IH	476424N	340-4066 STEM	HU066A
33725	C-R	412473!	337W210 C-R	472287!*	3388840 GMC	473474	340-4070 STEM	HU070A
33728	C-R	412920!	337W212 C-R	413247!	338899R1 IH	473231!	340-4075 STEM	H075
33728M1	C-R	412920!	337W212-M1 C-R	413247!	338904R91 IH	415234!	340-4091 STEM	HU024A
3372K	FORD	410102	337W214 C-R	413478*	338F220 C-R	410708	340-4092 STEM	HU036A
3372M1	C-R	410102	337W216 C-R	470605!	338FF220-L C-R	410708	340-4093 STEM	HU110A
33733	GARLK	416345!	337W216-M1 C-R	470605!*	338R TIMKE	338PKG	340-4095 STEM	HU009A
33735	C-R	417191*	337W22 C-R	450343*	338YR220 C-R	410708	340-4096 STEM	HU066A
33735	C-R	455165!	337W28 C-R	412920!	3391OS JN-MN	450193=	340-4098 STEM	HU009A
33736	C-R	417191	337W28-M1 C-R	412920!	3392 TIMKE	3392	340-4099 STEM	HU036A
33736	C-R	455165!	33807 C-R	455249!*	33929 GEM	5976S	340-4149 STEM	HU149A
3373OS	JN-MN	55301S*	3380RRR SPG	710008	3393 TIMKE	473573	340-4249 STEM	HU110A
33740	C-R	417191	3381 UNIVE	6754S=	3393RC SUL	415938	3400 LABEQ	415449!
33740	C-R	455165!	33812 C-R	455249!	3394 TIMKE	3394	340009 TIMKE	340009
33741	C-R	417191	33813 C-R	455249!	3394333 PEERC	473010	340009S TIMKE	471466
33741	C-R	455165!	33816 C-R	55431=	3394345 PEERC	473228	34008 NEWPR	2465
33741	CHERY	471766!	3381858 GMC	417501	33949 DENCO	415991	340098 VICK	417600
33741	SPICE	471795	33821 C-R	416321	33949 DENCO	455146!	3400D5 WHITE	410987!
33742	CHERY	471272!	33821 CHERY	473231!	3395 NATL	352444	34010 GARLK	415035
337426N	TIMKE	337426N	3382355 GMC	415379!	3395 TIMKE	3395	340106C91 IH	415060
3374299	GMC	450332	3382355 GMC	415379	33950 DENCO	415960!	340106C91 IH	455060
33745	GARLK	415697!	33824 C-R	415025	339617 WAGMA	412861	340106C92 IH	415060
33746	C-R	417191	33825 C-R	415025*	339681 HYST	415138* =	340106C92 IH	455060
33746	C-R	455165!	33826 C-R	415025*	339814 WHITE	471553!	340107C91 IH	415351!
33747	C-R	417191	3382835 GMC	416077	3398B JN-MN	417316!	340107C92 IH	415351!
33747	C-R	455165!	33834 C-R	415025	3398OS JN-MN	417316!	340120 TIMKE	471224
3374775	GMC	471765!	338348R91 IH	411376!	3399 LABEQ	471760	340136 TIMKE	340136
33748	C-R	417191	338349R91 IH	411376!	339965C1 IH	5065	340141 NATL	470954!
33750	C-R	417191	338362 JAC	472397!	339B22407 TROS	415857!	340151 TIMKE	472560N
33750	C-R	456585	338366R91 IH	481073	339R TIMKE	339PKG	340179C91 IH	370021A
337501	WHITE	471821!	33837 C-R	415025*	33E1 OTISE	455591=	340188 WHITE	417316!
33755	C-R	417191	33839 C-R	415025	33E2 OTISE	455592	34020 EATON	416865!
33756	C-R	417191	338394R91 IH	471564	33E4 OTISE	455596=	34020807.5 TROS	455080
33757	C-R	417191	33842 C-R	415025	33MAK1 OTISE	470898	340210 TIMKE	340210
33757	C-R	455165!	33843 C-R	415025	33MBP OTISE	416107!	340211 NATL	471643!
337577	WHITE	412871!	338490R91 IH	472070	33MBP OTISE	455073	34021607.5 TROS	415234!
33758	C-R	417191	338491R91 IH	470565=	33MCJ1 OTISE	472179	34021609.5 TROS	415234!
337619	PEERC	473228	338492R91 IH	473467=	33MHH1 OTISE	410930=	34022407 TROS	410825
33763	GARLK	417366!	338493R91 IH	415995!	33X50X12SC TRSCM	33X50X12!	34022411.25 TROS	410825
3376315	GMC	417497	338494R91 IH	412473!	33X50X12TC TRSCM	33X50X12!	34022805.75 TROS	3210
337647	PEERC	471766!	338495R91 IH	415379=	33X52X6SC TRSCM	33X52X6	34023206 TROS	416273
33768	GEM	471267!	338496R91 IH	415458=	33X52X6TC TRSCM	33X52X6	34023207.5 TROS	416273!
33769	C-R	417191	338497R91 IH	415437!	33X52X8.5 SIMRT	33X52X8.5	34023208 TROS	416273!
33769	C-R	456585	338498R91 IH	455040N=	34 BL-KN	473243	34023607.5 TROS	415988
3376RC	SUL	417488!	338499R91 IH	455685N=	340-4002 STEM	HU019A	34024006 TROS	415458!
33771	WAYNE	50490=	3385 TIMKE	3385	340-4005 STEM	HU005A	34024007.5 TROS	415458!
337711C91	IH	456618	3385 UNIVE	417353!	340-4006 STEM	HU008A	34024008 TROS	415458!
337711C92	IH	456618	338510R91 IH	415449=	340-4007 STEM	HU007A	34024008C TROS	415458!
33772	C-R	417354!*	338511R91 IH	415995=	340-4008 STEM	HU008A	34024011.25 TROS	415458!
33772	WAYNE	471192	338512R91 IH	417354!	340-4009 STEM	HU009A	34024012 TROS	415458!
33773	C-R	417354!*	338513R91 IH	415379=	340-4009 STEM	HW009A	34024807.5 TROS	415984!
33774	WAYNE	473211!	33853 C-R	415025	340-4011 STEM	HU011A	34024809.5 TROS	415984!
33777	C-R	417354!	338540R91 IH	415192N	340-4012 STEM	HU012A	34025 GARLK	415035
33778	C-R	417354!	338542R91 IH	5302=	340-4013 STEM	HU013A	34027 SPICE	5778
33778	SPICE	472394	338549R91 IH	416404!	340-4014 STEM	HU014A	34027-1 SPICE	5778
3377RC	SUL	417354!	338588R91 IH	476470!	340-4019 STEM	HU019A	3402RC SUL	417191
33780	C-R	417354!	338588R91 IH	476470	340-4024 STEM	HU024A	3402RC SUL	456585
33781	C-R	417354!	338589R91 IH	472185!	340-4025 STEM	HU036A	3402S SPG	3402
33783	HYST	418028	338590R91 IH	470380!	340-4028 STEM	HU028A	34035 GARLK	417356!
33783	HYST	455137!	3386 IDECO	415138!	340-4029 STEM	HU028A	340356 TIMKE	340356
33784	C-R	417354!*	33860 C-R	416327	340-4031 STEM	HU031A	340364 SPG	350364
33792	C-R	417354!	33861 C-R	710235	340-4034 STEM	HU034A	340385 TIMKE	330385

! Industrial Size/Type * Minor Width Difference = Call 1-800-480-1212 for price and delivery.

NUMERICAL

Zero Duplication or Recommended		Zero Duplication or Recommended		Zero Duplication or Recommended		Zero Duplication or Recommended		
Mfr. No.	Name	Mfr. No.	Name	Mfr. No.	Name	Mfr. No.	Name	
3448OS	JN-MN	416271!	347913R1 IH	JX1002=	34886 C-R	455146!	34980 C-R	370132A
34498	GARLK	416892!	347913R91 IH	JX1002=	34887 C-R	415991*	34982 C-R	417196!
3449B	JN-MN	416654!	347R	TIMKE	347PKG	415991	34983 C-R	417196!
344G28	C-R	41075S	347W212 C-R	410987!	34888 C-R	455146!	34985 C-R	417196!*
344R	TIMKE	344PKG	348-X414 C-R	5965	34889 C-R	415146!	34985 VIC	417196!
344RC	SUL	455032!	3480 DICO	204020	34889 C-R	415991	34990 C-R	417196!
345035	TIMKE	345035	3480 DICO	204505!	34890 C-R	5965	34991 C-R	417196!
345146	TIMKE	345146	34820 HYST	415007	34891 C-R	415991!	34992 C-R	417196!
345208A	HARWA	34X52X8	348212 C-R	410987!	34891 C-R	415991	34993 C-R	417196!
345208XX	TIMKE	34X52X8	348212M1 C-R	410987!	34892 C-R	415991* =	34994 C-R	370132A
345303	WHITE	45637S	348214 C-R	450104	34893 C-R	415991	34995 C-R	417196!
34531	WAYNE	473244	348214M1 C-R	450104	34893 C-R	455146!	34996 C-R	2055
345327	WHITE	473215!	348218 C-R	413479	34895 C-R	415991	34999 C-R	415437
34539	HYST	416158	348218M1 C-R	413479	34895 C-R	455146!	349A216 C-R	415449!
345409XX	TIMKE	34X54X9	348219 C-R	411330!	34896 C-R	415991	349AM216 C-R	415449!
345448	TIMKE	345448	348219L C-R	411330!	34896 C-R	455146!	349AMM216 C-R	415449!
3455	NATEN	417546!	348220 C-R	450412	34897 C-R	415991	349B216 C-R	415449!
345509XX	TIMKE	34X55X9	348220M1 C-R	450412	34897 C-R	415991!	349BM212 C-R	416271!*
3455B	JN-MN	415991	34823208 TROS	455079!	34899 C-R	415146!	349BMZ216 C-R	415449!
3455B	JN-MN	455146!	34823608 TROS	417481	34899 C-R	415991	349E216 C-R	415449!
3458S	GIB	473235!	34824008 TROS	417343!	348R	TIMKE	349M212-L C-R	416271!*
3459952	CHRY	370001A	34824308 TROS	7780	348W212 C-R	410987!	349R	TIMKE
3459952	CHRY	380001A	34824408 TROS	455151	348W212-M1 C-R	410987!	349W212 C-R	410987!
3459S	GIB	471870!	34824804 TROS	46997S	348W214 C-R	450104	349W212 C-R	450686
3459S	TIMKE	3459	34824808 TROS	417316!	348W218 C-R	413479	34X45X8SC TRSCM	34X45X8
345R	TIMKE	345PKG	34824810.25 TROS	417316!	348W220 C-R	450412	34X45X8TC TRSCM	34X45X8
34610	C-R	3772	34824812 TROS	417316!	348W28 C-R	455136	34X52X8 SIMRT	34X52X8
34610	C-R	5287	34825208 TROS	455005	348W28-M1 C-R	455136	34X52X8SC TRSCM	34X52X8
34611	C-R	3772	34825608 TROS	471344	34900 C-R	415991	34X52X8TC TRSCM	34X52X8
34611	SPICE	442380	34825610 TROS	417344!	34900 C-R	455146!	34X54X9SC TRSCM	34X54X9
34612	SPICE	416273!	34825610.25 TROS	417344!	34903 C-R	415991	34X54X9TC TRSCM	34X54X9
34612	VIC	416273!	34825616 TROS	417344!	34903 C-R	455146!	34X55X9SC TRSCM	34X55X9
34615	SPICE	9316	34826008 TROS	416956	34904 C-R	415146!	34X55X9TC TRSCM	34X55X9
3461793	GMC	4175	34828 C-R	455136	34904 C-R	415991	34X62X10 SIMRT	34X62X10!
3461895	CHRY	6960	34828M1 C-R	455136	34906 C-R	415991	34X62X10SC TRSCM	34X62X10!
34620	C-R	88X110X12	34830006 TROS	417349!	34907 C-R	415991	34X62X10TC TRSCM	34X62X10!
346210A	HARWA	34X62X10!	34830008 TROS	417349	34907 C-R	455146!	35 BL-KN	413246
346210XX	TIMKE	34X62X10	34834 C-R	455858	34908 C-R	415991!	3500 GEM	323138!
34623	C-R	88X110X12!	34835 C-R	710029	34908 C-R	415991	35000 C-R	380001A
34625	GARLK	415138!	34844 C-R	45525S	34909 C-R	415991	35000 C-R	415437
34631	CATER	471765!	34848 C-R	446927!	34909 C-R	455146!	35001 SPG	415001!
34631	TMTR	471765!	34848 C-R	45525S	34912 C-R	415991	35003S SPG	415458!
34634	GEM	240356	34857 C-R	418029!	3491250 CHRY	323126	3500495 WHITE	450400
34645	GARLK	417247!	34860 C-R	416624!*	3491349 CHRY	PSK-1	35006 SPG	417344!
34650	C-R	55309=	34861 C-R	416624!*	34918 C-R	415991	35009N NATL	415960!
34650	C-R	88X115X12!	34862 C-R	416624!	34918 C-R	455146!	35010 C-R	415437*
346738R91	IH	100494	34863 C-R	416624!	34919 C-R	415991	35011 C-R	415437!
346738R91	IH	476470!	34864 C-R	55309* =	34919 C-R	455146!	35011 C-R	415437
346812R91	IH	471692!	34865 C-R	416624!*	34925 C-R	415991!	35011 SPG	416921!
346FF2-L	C-R	8139	34866 C-R	416624* =	34925 C-R	415991	350112 C-R	455292=
346R	TIMKE	346PKG	34866 SPICE	416624=	349295C1 IH	456744N	35012 C-R	415437*
34700	C-R	2055	34867 C-R	416624!*	3492V SPG	3492	35012N NATL	416654
347122R2	IH	JV1976=	34867 SPICE	416624!	3492V TIMKE	3492V	35013 C-R	476424N
347150C91	IH	417365	34868 C-R	416624!*	34931 C-R	415146!	350140 NATL	471413!
34718	EATON	470565!	34869 C-R	416624!*	34931 C-R	415991	35015 C-R	415437
347224	C-R	480491*	34871 C-R	55309* =	34934 C-R	415991	350156 TIMKE	350156
347235R91	IH	471785!	34872 C-R	416624!	34934 C-R	415991!	35016 C-R	476424N
347245R91	IH	471785!	34874 C-R	416624!	34945 C-R	415991 =	35016N SPG	416288
34739	WAYNE	471787!	34875 C-R	416624!	34955 C-R	345146*	35017 C-R	415437*
34744	WAYNE	471553!	34876 C-R	416624!	3496234 CHRY	470954	35018 C-R	415437*
347451	GMC	473313!	34877 C-R	416624!	3496557 CHRY	417158!	35019 C-R	415437
347497	WHITE	471267!	34878 C-R	415899N	34967 C-R	345146	3501V SPG	3501V
347568R91	IH	473239!	34878 C-R	416624	34968 SPICE	473229!	35020 C-R	415437*
347569R91	IH	473239!	3488 CR-CF	411253!	34971 C-R	370131A	350203 NATL	481443!
347570R91	IH	415138!	3488 MURPH	473446	34972 C-R	370132A	35021 C-R	415437
347583R91	IH	415234!	34883 C-R	415991* =	34973 C-R	415991	350210 C-R	416444
347652R91	IH	417487!	34884 C-R	415899N	34973 C-R	455146!	350210M1 C-R	416444
347652R91	IH	417487	34884 C-R	416624	34974 C-R	415991	350212 C-R	416271!
3476S	TIMKE	3476	348848C91 IH	473228	34974 C-R	455146!	350212 GR-DV	416271!
347804R91	IH	415138!	348849C91 IH	9316	3497490 CHRY	453510	350212M1 C-R	416271!
347841R1	IH	JX1136	34885 C-R	9339S	34975 C-R	370132A	350212Q6 C-R	416271!
347842R1	IH	JX1190	34886 C-R	415991	34978 C-R	417196!	350214 C-R	411245!

! Industrial Size/Type * Minor Width Difference = Call 1-800-480-1212 for price and delivery.

NUMERICAL

Zero Duplication or Recommended Industrial		Zero Duplication or Recommended Industrial		Zero Duplication or Recommended Industrial		Zero Duplication or Recommended Industrial		
Mfr. No.	Name	Mfr. No.	Name	Mfr. No.	Name	Mfr. No.	Name	
350214	CABOT	411245!	350539	ADAMS	470380!	350892R91	IH	471267!
350214	GR-DV	411245!	350539	LETN	470059	3509	GEM	471271!
350214M1	C-R	411245!	350539	LETN	470380!	3509	ROSS	471271!
350215	NATL	471646!	350539	WABCO	470059	350902	SPG	471765!
350216	ALLCH	415449!	350539	WABCO	470380!	350909	TIMKE	350909
350216	C-R	415449!	350543	SPG	474272	350918	NATL	473241
350216	CABOT	415991	3505509	GMC	5756	35092	C-R	415027
350216	CABOT	455146!	350567	TIMKE	471267	350936	TIMKE	350936
350216	CLARK	415449!	350567C91	IH	473228!	350936N	WMG	350936
350216	GR-DV	415449!	35057	C-R	417198	35094	C-R	417495
350216K	GOODM	415449!	350570	WHITE	416654	35095	C-R	417495
350216M1	C-R	415449!	350572	TIMKE	350572	350954	TIMKE	470954
350218	C-R	415302	35058	C-R	376590A	35095S	SPG	416271!
350218	CLARK	415302	35059	C-R	370001A	35096	C-R	415559*
350218M1	C-R	415302	35059	C-R	380001A	350974	NATL	350974
35022	C-R	415437	3506	IRON	330385!	350974	TIMKE	350974
350220	C-R	415483!	3506	UNIVE	455037	35098	C-R	6612S*
350220M1	C-R	415483!	35060	C-R	455022	350983	NATL	472179
350220T8	C-R	415483!	35060+455004	C-R	380001A	35099	C-R	415559
350222	C-R	455434	350609	TIMKE	350609	350A216	C-R	415449!
350224	C-R	416664!	350612VD	SPG	224026	350AMM216	C-R	415449!
350224M1	C-R	416664!	35062	C-R	370001A	350AMM216-Q6	C-R	415449!
35023	C-R	415437	35062	C-R	6638S	350B212	C-R	416271!*
350230	SPG	471689!	35064	C-R	417198	350B216	C-R	415449!
35028	C-R	411376!	350645	ADAMS	412119!	350B218	C-R	415449!
35028	HYST	55309=	350645	LETN	412119!	350BM212	C-R	416271!*
35028M1	C-R	411376!	35065	C-R	417196!	350C28	C-R	411376!
35029	C-R	415437*	35066	C-R	370001A	350CHA216	C-R	415449!
35029	C-R	415437!	35066	C-R	380001A	350F212	C-R	416271!*
35029	HYST	417181!	350679	TIMKE	470954	350F216	C-R	415449!
35030	C-R	415437!	350679R91	IH	6312	350FM212	C-R	416271!*
35030	C-R	415437!	35069	C-R	6638S	350FM216	C-R	415449!
35030	GARLK	415725!	3507	UNIVE	416271!	350G130	C-R	45653S
35030	HYST	417605	35070	C-R	415027	350G224	C-R	45827S
350319	NATL	481163!	35070	SPG	416865!	350HD224	C-R	45827S
35033	C-R	417159	35070S	SPG	416865!	350MA216-L	C-R	415449!
35034	SPG	415034!	35071	C-R	415027	350N216	C-R	415449!
35035	AMC	471570!	35071	C-R	415027!	350T210	C-R	416444
35035	SPG	415035	35071	NOK	2146	350W210	C-R	416444
350355	NATL	471538!	35072	C-R	370001A	350W212	C-R	416271!
35036	C-R	415437	35072	C-R	380001A	350W212-M1	C-R	416271!
350363	NATL	473234!	350737R91	IH	472636!	350W214	C-R	411245!
350364	TIMKE	350364	35075	C-R	370002A	350W214-M1	C-R	411245!
350385	NATL	330385!	35075	NATL	416476!	350W216	C-R	415449!
350394	TIMKE	473227	35075+455011	C-R	370013A	350W216-M1	C-R	415449!
3503S	SPG	3503=	35075+455011	C-R	380001A	350W216-T8	C-R	415449!
35040	C-R	476424N	3507585	CHRYSS	6808N	350W216-Y26	C-R	415449!
35040	GARLK	415725!	350769R91	IH	6312	350W218	C-R	415302
350414	TIMKE	472311	35077	C-R	415027	350W220	C-R	415483!
35042	C-R	415437*	35078	C-R	415027!	350W220-M1	C-R	415483!
350435	TIMKE	350435	35078	C-R	415027	350W222	C-R	455434
350435	WMG	50435	35080	C-R	415027	350W224	C-R	416664!
35045	C-R	415437*	35080	GARLK	416865!	350W28	C-R	411376!
3504679	GMC	6064	35082	C-R	415027!	350W28-M1	C-R	411376!
350476	ADAMS	471750!	35082	C-R	415027	350W525	CONE	5551
35048	C-R	415437!	350822R91	IH	6180=	350YM216	C-R	415449!
35048	C-R	415437	350823	TIMKE	473454	35100	C-R	415559
35049	C-R	415437!	35083	C-R	415027*	35101N	SPG	416282
35049	C-R	415437	35084	C-R	415027!	35102	C-R	370001A
350493	WHITE	450400	35084	C-R	415027	35102	C-R	380001A
350502	ADAMS	455151	35085	C-R	415027	351028	TIMKE	351028
350503	ADAMS	472439	35085	C-R	415027!	35103	C-R	370001A
350504	ADAMS	471224!	35086	C-R	417495*	35106	C-R	415559*
350504	LETN	471224!	35086N	SPG	417487!	35107	C-R	417496
350504	WABCO	471224!	35086N	SPG	417487	35109	C-R	417496
350509	NATL	15X25X7	35087	C-R	415027	3511035	C-W	415449!
35051	SPG	415371	35087	C-R	415027!	3511035	WOOL	415449!
350535	ADAMS	417316!	350877	TIMKE	350877	351108R1	IH	413469!
350535	LETN	417316!	350878	SPG	473424!	351108R91	IH	413469!
350537	WHITE	476838!	35089	C-R	415027	35111	C-R	455396
350539	ADAMS	470059	35089	C-R	415027!	351113	RELEE	470898
			350891R91	IH	472560N!	35112	C-R	6245S=
						351123	RELEE	473237!
						35114	C-R	6245S=
						351181	NATL	481181!
						351196VD	SPG	351196V
						35120	C-R	710188
						351206	NATL	473237!
						351224	NATL	471224!
						351255	TIMKE	471255
						351264	NATL	471264!
						351264	SPG	471264!
						351267	TIMKE	471267
						351270	NATL	471270!
						351271R91	CASE	470712!
						351276R91	IH	471765!
						351281	NATL	471281!
						35130	C-R	6245S=
						35130	GARLK	417278
						351315	NATL	472705!
						351354	NATL	471354!
						35137S	SPG	415137!
						35137S	SPG	418028
						351398	SPG	351398
						3513S	SPG	3513
						3513SSGR	SPG	8622
						3513SS0	SPG	3517
						3513VJ0	SPG	3517V=
						351442	NATL	471442!
						351466	NATL	471466
						351466	TIMKE	471466
						35146S	SPG	415146!
						35146S	SPG	415991
						351487	TIMKE	351487
						35149	SPG	417343!
						35149DA	IH	470530!
						3515137	CHRYSS	331227H
						3515138	CHRYSS	331228H
						351526	NATL	471526!
						3515383	CHRYSS	7300S
						3515384	CHRYSS	2506
						351552	NATL	471558
						351554	NATL	471554!
						3515569	CHRYSS	472164!
						35156	SPG	5578
						351567	NATL	471567!
						351570	NATL	471570!
						351571	NATL	471571
						35160	SPG	417171!
						35162	SPG	471818!
						35164	SPG	412473!
						351643	NATL	471643!
						351646	TIMKE	471646
						351649	SPG	471649!
						351689	NATL	471689!
						3517	NATL	9845
						351760	NATL	471760
						351763	NATL	471763
						351802C92	IH	370023A
						3519D5	WHITE	415458!
						351M212-L	C-R	416271!
						351M218-L	C-R	415302
						352009	NATL	472397!
						352039	CONTI	416956
						352068	CONTI	451583!
						352080	NATL	472164!
						352080R91	IH	470625!
						3520D5	WHITE	5M867
						3521	GEM	471267!
						352113	RELEE	470605!
						352118	CONTI	6324S=

Zero Duplication or Recommended Industrial		Zero Duplication or Recommended Industrial		Zero Duplication or Recommended Industrial		Zero Duplication or Recommended Industrial		
Mfr. No.	Name	Mfr. No.	Name	Mfr. No.	Name	Mfr. No.	Name	
357937R91	IH	410059	358821R91	IH	471649!	3597B	JN-MN	472492!
357937R91	IH	470380!	358822R91	IH	472439	359813R91	IH	450869
357966R91	IH	416380!	358823R91	IH	473367	35986	CONTI	416956
357967R91	IH	473238	358824R91	IH	473421	3598F	OSHKO	471766!
357968R91	IH	471442!	358825R91	IH	472924	359917C91	IH	370001A
357969R91	IH	417344!	358826R91	IH	411394!	359917C91	IH	6638S
357970R91	IH	471192	358827R91	IH	418029!	359919C1	IH	JX1125
357971R91	IH	472016	358828R91	IH	455500	359919C1	ROCKW	JX1125
357972R91	IH	410708	358829R91	IH	455005	35992	CONTI	455079!
357973R91	IH	410059	358830R91	IH	456105	359922C91	NAVST	370048A
357973R91	IH	470380!	358832R91	IH	474279	359922C91	NAVST	380048A
357974R91	IH	415196!	358833R91	IH	6312	359926C92	IH	370023A
357975R91	IH	417344!	358834R91	IH	6180=	359926C92	IH	456873=
357976R91	IH	471192	358836R91	IH	472560N!	359927C1	IH	JX1128
357977R91	IH	410708	358837R91	IH	471267!	359928C92	IH	415064
357978R91	IH	410059	358838R91	IH	471765!	359951R92	IH	473517!
357978R91	IH	470380!	358839R91	IH	470625!	359952R91	IH	473517!
35799	CATER	471737	35886	HYST	472179	359952R92	IH	473517!
357C47	NATL	357	358873R91	IH	452222!	359D6	WHITE	5473
357R	TIMKE	357PKG	358896R91	IH	472636!	359W212	C-R	415857
358008XX	TIMKE	35X80X8	3588R	JN-MN	416888!	35A10019	MINNM	472258!
358019	WHITE	415995!	35890	GARLK	417363	35A12244	WHITE	417254
358020	WHITE	417181!	358922C91	IH	415960	35A1803	WHITE	6542=
3580723	CHRY	5121	358981	WHITE	416288!	35A2190	MINNM	473441
3580975	CHRY	6815	359042R91	IH	471224!	35A3596	MINNM	471224!
35810	C-R	9584	35905	C-R	5279	35A4130	MINNM	471224!
358228	WHITE	471141!	35905	C-R	710056	35A4130	WHITE	471224!
35828	HYST	416654!	359051R91	IH	473215!	35A4130EXP	MINNM	471224!
3583	WOODB	471766!	359056R91	IH	470380!	35A4461	MINNM	415458!
3583S	TIMKE	3583	35908F	DIA	5408	35A5174	MINNM	365008
35850	GARLK	417362!	35909F	DIA	5408	35A5174	WHITE	365008
358765R91	IH	473367!	3590R	SPG	3590	35A6303	MINNM	6668S
358765R91	IH	473367	3591	TIMKE	3591	35A6404	MINNM	327303!
358766R91	IH	471750!	35910	C-R	710056	35A8008	MINNM	471442!
358767R91	IH	473467	35910	GARLK	416666	35A8008	WHITE	471442!
358768R91	IH	416738!	359126R91	IH	473459	35A8629	WHITE	476470
358768R91	IH	450096	359126R93	IH	473459	35H021	SHOV	474276!
358769R91	IH	200640	359126R94	IH	473459	35H027	SHOV	474276!
358770R91	IH	415001!	359167	GMC	3698	35P129	WHITE	45825S
358772R91	IH	473214	3591B	JN-MN	472157!	35P2744	WHITE	472258!
358774R91	IH	412119!	3591B	JN-MN	472157!	35P613	MINNM	470898=
358775R91	IH	471765!	3592	TIMKE	3592	35P613	WHITE	470898=
358777R91	IH	416444	35925	GARLK	417364	35X45X7SC	TRSCM	35X45X7
358780R91	IH	417316!	359257R91	IH	471224!	35X45X7TC	TRSCM	35X45X7
358783R91	IH	472439	359303R91	IH	471567!	35X47X7SC	TRSCM	35X47X7
358784R91	IH	473367	359309R91	IH	471567!	35X47X7TC	TRSCM	35X47X7
358785R91	IH	473421	35936	SPG	8996S=	35X48X8AS	ISP	714436
358787R91	IH	472924	35938	SPICE	2146	35X48X8SC	TRSCM	35X48X8!
358790R91	IH	473010!	35938	VIC	2146	35X48X8TC	TRSCM	35X48X8!
358791R91	IH	411394!	35938-1	SPICE	2146	35X50X7AN	ISP	35X50X7
358794R91	IH	455005	3593B	JN-MN	455576!	35X50X8	CEW	35X50X8!
358795R91	IH	456105	359419	WHITE	471759	35X50X8SC	TRSCM	35X50X8!
358798R91	IH	6312	359448R91	IH	473215!	35X50X8TC	TRSCM	35X50X8!
358799R91	IH	6180=	359449R91	IH	470380!	35X52X7AN	ISP	35X52X7
358801R91	IH	472560N!	35947	DENCO	471466!	35X52X8SC	TRSCM	35X52X8!
358802R91	IH	471267!	359496	WHITE	416288	35X52X8TB	TRSCM	35X52X8!
358803R91	IH	413469!	359497	WHITE	416288!	35X52X8TC	TRSCM	35X52X8!
358804R91	IH	471765!	35949N	TIMKE	416500	35X54X8SC	TRSCM	35X54X8!
358805R91	IH	471570!	3594S	SPG	3594=	35X54X8TC	TRSCM	35X54X8!
358806R91	IH	450048	359506R91	IH	470380!	35X55X11SC	TRSCM	35X55X11
358807R91	IH	473213!	359547	GMC	2440	35X55X11TC	TRSCM	35X55X11
358808R91	IH	473367!	359559R91	IH	470380!	35X55X8SC	TRSCM	35X55X8!
358808R91	IH	473367	359588R91	IH	471567!	35X55X8TC	TRSCM	35X55X8!
358809R91	IH	471750!	3596	CHAMP	415991	35X56X10SC	TRSCM	35X56X10!
358810R91	IH	473467	3597	CHAMP	417366!	35X56X10TC	TRSCM	35X56X10!
358812R91	IH	473214	359786R91	IH	416738!	35X56X8AN(35)	ISP	35X56X8
358813R91	IH	452222!	359786R91	IH	450096	35X58X10	SIMRT	35X58X10
358814R91	IH	412119!	359787R91	IH	473419	35X58X10SC	TRSCM	35X58X10
358815R91	IH	471765!	359788R91	IH	200640	35X58X10TC	TRSCM	35X58X10
358817R91	IH	200600	359789R91	IH	470059	35X60X10	FORSH	35X60X10!
358818R91	IH	80313	359789R91	IH	470380!	35X60X10	SIMRT	35X60X10!
358819R91	IH	417316!	359790R91	IH	472179	35X60X10SC	TRSCM	35X60X10!
358821R91	IH	410059	358821R91	IH	471649!	3597B	JN-MN	472492!
358822R91	IH	470380!	358822R91	IH	472439	359813R91	IH	450869
358823R91	IH	416380!	358823R91	IH	473367	35986	CONTI	416956
358824R91	IH	473238	358824R91	IH	473421	3598F	OSHKO	471766!
358825R91	IH	471442!	358825R91	IH	472924	359917C91	IH	370001A
358826R91	IH	417344!	358826R91	IH	411394!	359917C91	IH	6638S
358827R91	IH	471192	358827R91	IH	418029!	359919C1	IH	JX1125
358828R91	IH	472016	358828R91	IH	455500	359919C1	ROCKW	JX1125
358829R91	IH	410708	358829R91	IH	455005	35992	CONTI	455079!
358830R91	IH	410059	358830R91	IH	456105	359922C91	NAVST	370048A
358832R91	IH	470380!	358832R91	IH	474279	359922C91	NAVST	380048A
358833R91	IH	415196!	358833R91	IH	6312	359926C92	IH	370023A
358834R91	IH	417344!	358834R91	IH	6180=	359926C92	IH	456873=
358836R91	IH	471192	358836R91	IH	472560N!	359927C1	IH	JX1128
358837R91	IH	410708	358837R91	IH	471267!	359928C92	IH	415064
358838R91	IH	410059	358838R91	IH	471765!	359951R92	IH	473517!
358839R91	IH	470380!	358839R91	IH	470625!	359952R91	IH	473517!
35886	HYST	471737	35886	HYST	472179	359952R92	IH	473517!
358873R91	IH	357	358873R91	IH	452222!	359D6	WHITE	5473
358896R91	IH	357PKG	358896R91	IH	472636!	359W212	C-R	415857
3588R	JN-MN	416888!	3588R	JN-MN	416888!	35A10019	MINNM	472258!
35890	GARLK	417363	35890	GARLK	417363	35A12244	WHITE	417254
358922C91	IH	415960	358922C91	IH	415960	35A1803	WHITE	6542=
358981	WHITE	416288!	358981	WHITE	416288!	35A2190	MINNM	473441
359042R91	IH	471224!	359042R91	IH	471224!	35A3596	MINNM	471224!
35905	C-R	5279	35905	C-R	5279	35A4130	MINNM	471224!
35905	C-R	710056	35905	C-R	710056	35A4130	WHITE	471224!
359051R91	IH	473215!	359051R91	IH	473215!	35A4130EXP	MINNM	471224!
359056R91	IH	470380!	359056R91	IH	470380!	35A4461	MINNM	415458!
35908F	DIA	5408	35908F	DIA	5408	35A5174	MINNM	365008
35909F	DIA	5408	35909F	DIA	5408	35A5174	WHITE	365008
3590R	SPG	3590	3590R	SPG	3590	35A6303	MINNM	6668S
3591	TIMKE	3591	3591	TIMKE	3591	35A6404	MINNM	327303!
35910	C-R	710056	35910	C-R	710056	35A8008	MINNM	471442!
35910	GARLK	416666	35910	GARLK	416666	35A8008	WHITE	471442!
359126R91	IH	473459	359126R91	IH	473459	35A8629	WHITE	476470
359126R93	IH	473459	359126R93	IH	473459	35H021	SHOV	474276!
359126R94	IH	473459	359126R94	IH	473459	35H027	SHOV	474276!
359167	GMC	3698	359167	GMC	3698	35P129	WHITE	45825S
3591B	JN-MN	472157!	3591B	JN-MN	472157!	35P2744	WHITE	472258!
3591B	JN-MN	472157!	3591B	JN-MN	472157!	35P613	MINNM	470898=
3592	TIMKE	3592	3592	TIMKE	3592	35P613	WHITE	

Zero Duplication or Recommended		Zero Duplication or Recommended		Zero Duplication or Recommended		Zero Duplication or Recommended	
Mfr. No.	Name	Mfr. No.	Name	Mfr. No.	Name	Mfr. No.	Name
361049R91 IH		362220 C-R		362W224 C-R		36382 C-R	
36106 WAYNE		362220 GR-DV		362W224-M1 C-R		363821R91 IH	
3610RC SUL		362220K SUL		362W228 C-R		36383 C-R	
3611035 WOOL		362220M1 C-R		362W26 C-R		36383 C-R	
3611035 WOOL		362224 C-R		362W28 C-R		36385 C-R	
361165 GMC		362224M1 C-R		362W475 CONE		36386 C-R	
361170 HYST		362228 C-R		363 IDECO		36387 C-R	
36120 C-R		362228M1 C-R		363 IDECO		36388 C-R	
361248R91 IH		36223 C-R		3630051 GMC		36389 C-R	
361248R92 IH		36224 C-R		36304 C-R		36390 C-R	
361261 WHITE		36226 C-R		36304 C-R		36391 C-R	
36128 C-R		36227 C-R		36305 C-R		363G214 C-R	
3612A JN-MN		362272C91 IH		36305 C-R		363R224-Y12 C-R	
36140 TROS		36228 BUC-E		3630681 CUMMI		363SH15 MACK	
36145 C-R		36228 C-R		36309 C-R		363SH47 MACK	
36145 C-R		36229 C-R		36309F DIA		36408 OLIVE	
36146 C-R		3622S TIMKE		36310 C-R		3643184 CHRYS	
36147 C-R		36230 C-R		36314 C-R		3643321 CHRYS	
36155 C-R		36231 C-R		36314 C-R		36433VTB TRSCM	
36156 C-R		36232 C-R		36315 C-R		364341 SPICE	
36157 C-R		36233 C-R		363157R91 IH		364341 VIC	
36158 C-R		36234 C-R		363157R91 IH		364468R91 IH	
36161 C-R		362398R91 IH		36320 C-R		364469R91 IH	
361648 GMC		362399R91 IH		36321 C-R		364470R91 IH	
36166 C-R		3623B JN-MN		36321 C-R		364471R91 IH	
36174 C-R		3623RC SUL		36322 C-R		364472R91 IH	
361746 GMC		3623VG3 SPG		36323 C-R		364473R91 IH	
36175 C-R		362400R91 IH		36323 C-R		364474R91 IH	
361750 GMC		362401R91 IH		3633416 CHRYS		364474R91 IH	
36177 C-R		362402 SPICE		3633518 GMC		364475R91 IH	
36177 C-R		362402 VIC		363374C91 IH		364476R91 IH	
36178 C-R		362402R91 IH		3633CA SPG		364477R91 IH	
36179 C-R		362402R91 IH		3633CA SPG		3644D GOODM	
3618 C-R		362403R91 IH		36340 C-R		3644F GOODM	
3618 TIMKE		362404R91 IH		3634349 CHRYS		3645 C-R	
36180 C-R		362405R91 IH		36345 C-R		36454TA TRSCM	
36181 C-R		362406R91 IH		36345 C-R		364561 WHITE	
36183 C-R		362407R91 IH		363511R91 IH		364578 WHITE	
36184 C-R		362408R91 IH		363512R91 IH		3645Z137 MACK	
36185 C-R		362409R91 IH		363513R91 IH		36464TA TRSCM	
36185 C-R		362410R91 IH		363514R91 IH		364692R91 IH	
36186 C-R		362411R91 IH		363514R92 IH		364707B HARWA	
36186 C-R		362412R91 IH		363514R93 IH		364707XX TIMKE	
36194 C-R		362413R91 IH		36352 ACF		364759 WHITE	
36195 C-R		362414R91 IH		36352 HYST		364800 GMC	
3619687 CHRYS		362420R91 IH		36355 C-R		364808 WHITE	
3619687 CHRYS		3624S SPG		36357 C-R		364861R91 IH	
361A220 C-R		3625B JN-MN		36358 C-R		36487 SPICE	
361AM220 C-R		362648 GMC		36361 C-R		36487-1 SPICE	
361AM224 C-R		36269 C-R		36361 SPICE		36487A WHITE	
361B220 C-R		362767R91 IH		36362 C-R		3648E GOODM	
361BM220 C-R		36277 SPICE		36362 C-R		364SZ101 MACK	
361FM220 C-R		36277 VIC		36362 SPICE		364SZ109 MACK	
36202 C-R		36282 C-R		36362 SPICE		364SZ111 MACK	
36202 CUSH		36285 C-R		36363 C-R		364SZ112 MACK	
36202E CUSH		36289 C-R		36364 C-R		364SZ115 MACK	
36202F CUSH		3628B JN-MN		36365 C-R		364SZ118 MACK	
36208M DIA		3628B JN-MN		36366 SPICE		364SZ119 MACK	
3620B JN-MN		362A220 C-R		36367 C-R		364SZ122 MACK	
3620S SPG		362AM220 C-R		36368 C-R		364SZ129 MACK	
362119R91 IH		362B220 C-R		36369 C-R		364SZ136 MACK	
362119R92 IH		362CHA220 C-R		36369 SPICE		364SZ13A MACK	
362119R93 IH		362F220 C-R		36370 C-R		364SZ14 MACK	
36220 C-R		362F220 TRANG		36371 C-R		364SZ145 MACK	
36221 C-R		362FM220 C-R		363716 WHITE		364SZ148 MACK	
362212 C-R		362N212 C-R		36372 C-R		364SZ15 MACK	
362212M1 C-R		362RC SUL		3637203 CHRYS		364SZ17 MACK	
362216 C-R		362W216 C-R		36374 C-R		364SZ174 MACK	
362216M1 C-R		362W216-M1 C-R		36376 C-R		364SZ181 MACK	
362218 C-R		362W218 C-R		36377 C-R			
362218M1 C-R		362W220 C-R		363771R91 IH			
36222 C-R		362W220-M1 C-R		36378 C-R			
				3638 TIMKE			

! Industrial Size/Type * Minor Width Difference = Call 1-800-480-1212 for price and delivery.

NUMERICAL

Zero Duplication or Recommended		Zero Duplication or Recommended		Zero Duplication or Recommended		Zero Duplication or Recommended	
Mfr. No.	Name	Mfr. No.	Name	Mfr. No.	Name	Mfr. No.	Name
364SZ188	MACK	365767R91	IH	36850	C-R	36X54X8SC	TRSCM
364SZ189	MACK	365808XX	TIMKE	36850F	DIA	36X54X8TC	TRSCM
364SZ24	MACK	365810A	HARWA	36851	C-R	36X56X10	SIMRT
364SZ25	MACK	365812XX	TIMKE	368621C91	IH	36X56X10SC	TRSCM
364SZ34	MACK	365874	WHITE	368629R91	IH	36X56X10TC	TRSCM
364SZ35	MACK	3659486	CLARK	3686530	GMC	36X58X10	NATL
364SZ35A	MACK	3659486	GMC	3686537	GMC	36X58X12	SIMRT
364SZ36	MACK	3659542	GMC	3686551	GMC	36X58X12SC	TRSCM
364SZ38	MACK	3660	C-R	3686563	GMC	36X58X12TC	TRSCM
364SZ40	MACK	366007XX	TIMKE	3686571	GMC	36X58X8SC	TRSCM
364SZ43	MACK	3660089	GMC	3686593	GMC	36X58X8TC	TRSCM
364SZ44	MACK	3660091	GMC	36868	GMC	36X60X7SC	TRSCM
364SZ45	MACK	366207A	HARWA	3687	C-R	36X60X7TC	TRSCM
364SZ47	MACK	366207XX	TIMKE	368723R91	IH	36X62X7	SIMRT
364SZ52	MACK	3663166	GMC	368724R91	IH	36X62X7SC	TRSCM
364SZ53	MACK	36634M	DIA	368725R91	IH	36X62X7TC	TRSCM
364SZ54	MACK	3664	US-EL	36880	C-R	36X68X10SC	TRSCM
364SZ54	MACK	36644M	DIA	368829R91	IH	36X68X10TC	TRSCM
364SZ56	MACK	3664520	GMC	3688B	JN-MN	37-463-3	SPICE
364SZ59	MACK	36649	CHRYSS	3689176	GMC	370-7005	STEM
364SZ61	MACK	36650	C-R	36895	C-R	370-7006	STEM
364SZ62	MACK	36655	C-R	36897	GMC	370-7007	STEM
364SZ66	MACK	36660	C-R	3689758	GMC	370-7007	STEM
364SZ66A	MACK	3667	TIMKE	36897C	DIA	370-7008	STEM
364SZ70	MACK	3668	C-R	36898J	DIA	370-7009	STEM
364SZ81	MACK	366810XX	TIMKE	36899R	DIA	370-7011	STEM
364SZ83	MACK	3668B	JN-MN	36899R	DIA	370-7013	STEM
364SZ84	MACK	3669	C-R	368D6	WHITE	370-7013	STEM
364SZ86	MACK	3669156	GMC	368RC	SUL	370-7013	STEM
364SZ88	MACK	3669157	GMC	368RC	SUL	370-7013	STEM
364SZ88A	MACK	36691A	C-R	36904W	DIA	370-7015	STEM
364SZ90	MACK	366937C91	IH	369072	DIA	370-7016	STEM
364SZ91	MACK	366982C91	IH	3690A	HERCU	370-7018	STEM
364SZ95	MACK	367	CHEL	3690B	JN-MN	370-7022	STEM
36500	HYST	36701A	C-R	3691B	JN-MN	370-7023	STEM
365007XX	TIMKE	3670B	JN-MN	3692B	JN-MN	370-7023	STEM
365008	TIMKE	367162R91	IH	369316R91	IH	370-7024	STEM
365046	WHITE	367163R91	IH	369317R91	IH	370-7025	STEM
36506	EATON	3671B	JN-MN	369318R91	IH	370-7031	STEM
3650633	GMC	36727	SPERY	369319R91	IH	370-7031	STEM
3651493	GMC	36727	VICK	369380R91	IH	370-7031	STEM
365207A	HARWA	3672B	JN-MN	3693B	JN-MN	370-7043	STEM
365207XX	TIMKE	3673B	JN-MN	3693B	JN-MN	370-7043	STEM
3652523	GMC	36740	C-R	36940	C-R	370-7044	STEM
365277	GMC	36740	C-R	36944	C-R	370-7044	STEM
3653	C-R	3674B	JN-MN	36945	C-R	370-7046	STEM
36531	CHRYSS	36750	C-R	36946	C-R	370-7048	STEM
36536	MALL	3675072	GMC	36949	C-R	370-7049	STEM
3653617	GMC	3675098	GMC	3694B	JN-MN	370-7055	STEM
3653618	GMC	36769J	DIA	3694T2	DIA	370-7091	STEM
3654	C-R	3677	C-R	36950	C-R	370-7095	STEM
365408XX	TIMKE	3677	TIMKE	3695B	JN-MN	370-7095	STEM
365416R91	IH	36770	C-R	3697029	GMC	370-7097	STEM
365434R91	IH	36771	C-R	3697114	GMC	370-7097	STEM
36544C	DIA	3677B	JN-MN	3697B	JN-MN	370-7098	STEM
365458	WHITE	3677CA	SPG	3698	TIMKE	370-7098	STEM
36549F	DIA	3678151	GMC	3698B	JN-MN	370-7099	STEM
365525R91	IH	367956R91	IH	3699678	CHRYSS	370-7099	STEM
365526R91	IH	367957R91	IH	369978	GMC	3700	NATL
365528R91	IH	3680	C-R	3699B	JN-MN	370000	NATL
365576R91	IH	3680095	CUMMI	36A2883661	GE	370001A	NATL
3655S	TIMKE	3680706	CUMMI	36A290628AB001	GE	370001A	TIMKE
365610A	HARWA	3680994	GMC	36SR-13	MACK	370001T	NATL
365610XX	TIMKE	3680S	SPG	36X47X7	SIMRT	370002A	TIMKE
365618	GMC	3681302	CHRYSS	36X47X7SC	TRSCM	370003A	TIMKE
3656536	GMC	3681B	JN-MN	36X47X7TC	TRSCM	370003T	NATL
3656537	GMC	3682	C-R	36X50X7SC	TRSCM	370004A	TIMKE
3656538	GMC	368240	WAGMA	36X50X7TC	TRSCM	370005A	TIMKE
3656817	GMC	368252C91	IH	36X52X7	SIMRT	370006A	TIMKE
3657	C-R	3683	C-R	36X52X7SC	TRSCM	370007A	TIMKE
3657616	GMC	3683	C-R	36X52X7TC	TRSCM	370008A	TIMKE
365766R91	IH	3684530	GMC	36X54X7.5-35	ISP	370009A	TIMKE

! Industrial Size/Type * Minor Width Difference = Call 1-800-480-1212 for price and delivery.

Zero Duplication or Recommended		Zero Duplication or Recommended		Zero Duplication or Recommended		Zero Duplication or Recommended	
Mfr. No.	Name	Mfr. No.	Name	Mfr. No.	Name	Mfr. No.	Name
370010A	TIMKE	370169A	TIMKE	37075	C-R	372-7008	STEM
370011A	TIMKE	370173A	NATL	37075	C-R	372-7009	STEM
370012A	TIMKE	370173A	TIMKE	37077CA	SPG	372-7015	STEM
370013A	TIMKE	370175A	TIMKE	37081	C-R	372-7018	STEM
370014A	TIMKE	370178A	NATL	37087	GEM	372-7022	STEM
370015A	TIMKE	370178A	TIMKE	3708819	GMC	372-7024	STEM
370018A	TIMKE	370179A	NATL	37089	C-R	372-7025	STEM
370019A	TIMKE	370179A	TIMKE	37089	C-R	372-7046	STEM
37002	HYST	370179BG0	SPG	3708B	JN-MN	372-7048	STEM
370020A	NATL	370181A	TIMKE	3708B	JN-MN	372-7049	STEM
370020A	TIMKE	370191A	TIMKE	37096A	C-R	372-7055	STEM
370021A	TIMKE	370192A	TIMKE	37097D	IH	372-7091	STEM
370022A	TIMKE	370195A	TIMKE	3709B	JN-MN	372-7095	STEM
370023A	NATL	370198A	TIMKE	371-0013	STEM	372-7097	STEM
370023A	TIMKE	370199A	TIMKE	371-0013	STEM	372-7097	STEM
370024A	TIMKE	370199V	SPG	371-0023	STEM	372-7098	STEM
370025A	TIMKE	37020	C-R	371-0023	STEM	372-7098	STEM
370025T	NATL	370201A	NATL	371-0043	STEM	372-7098	STEM
370025X	FRUEH	3702068	GMC	371-0043	STEM	372-7099	STEM
370025X	FRUEH	370211A	TIMKE	3710	C-R	3720002	GMC
370026A	TIMKE	370212A	TIMKE	37101	TROS	37201	TROS
370027A	TIMKE	370215A	TIMKE	37103	HYST	37202	TROS
370028A	TIMKE	370216A	NATL	37103	TROS	372068	GMC
370029A	TIMKE	370219A	TIMKE	37104	TROS	3721328	GMC
37003	SPICE	370219BG	NATL	3711	C-R	372187R91	IH
370030A	TIMKE	370220A	TIMKE	3711412	GMC	3721RC	SUL
370031A	TIMKE	3702255	GMC	3711412	GMC	3722	C-R
370032	WHITE	3702255	GMC	3711B	JN-MN	3722	C-R
370033A	TIMKE	37025	C-R	3711LUP	JN-MN	37222	SPICE
370034A	TIMKE	370254R91	IH	3711RC	SUL	37224	CHRYS
370036A	NATL	37026	C-R	37120	AMC	37229	SPICE
370036A	TIMKE	37026	C-R	3712726	GMC	3722RC	SUL
370037A	TIMKE	37026	C-R	3712738	GMC	3723	TIMKE
370038A	TIMKE	37027	C-R	37129	AMC	372301	BENDI
370039A	TIMKE	37029	VICK	3712B	JN-MN	372394R91	IH
370043A	TIMKE	3702R	SPG	3712B	JN-MN	3723B	JN-MN
370046A	TIMKE	3702RA	SPG	3712RC	SUL	3723RC	SUL
370047A	TIMKE	37030	C-R	37132	DENCO	37240	TROS
370048A	TIMKE	370338A	NATL	37132	DENCO	372438R91	IH
370051A	TIMKE	370338A	TIMKE	37132	DENCO	372439R91	IH
370054A	TIMKE	370349A	NATL	37132	DENCO	372440R91	IH
370057A	TIMKE	370349A	TIMKE	37132	DENCO	372442R91	IH
370063A	TIMKE	37039	C-R	37141	TROS	372474R91	IH
370064A	TIMKE	37040	C-R	371410R91	IH	372475R91	IH
370065A	NATL	37040	C-R	371411R91	IH	372476R91	IH
370065A	TIMKE	37041	C-R	3714713	GMC	3725	C-R
370066A	TIMKE	37041	C-R	3714771	GMC	3725	C-R
370069A	TIMKE	37042	C-R	3714786	GMC	37257	AMC
370078A	TIMKE	37042	C-R	371498C91	IH	3725850	GMC
370086	WHITE	3704463	GMC	371498C91	IH	3725883	GMC
370086A	TIMKE	3704483	GMC	371498C91	IH	3725884	GMC
370094A	TIMKE	370463	BENDI	3714RC	SUL	3725885	GMC
3700BX0	SPG	37047	C-R	3715RC	SUL	37260	TROS
3700OS	JN-MN	370492	GMC	371671	GMC	3726RC	SUL
3700RC	SUL	3704B	JN-MN	3716B	JN-MN	3727	C-R
370106A	TIMKE	37050	C-R	3716RC	SUL	3727	C-R
370107A	TIMKE	370509	WHITE	3716RC	SUL	37275	AMC
370109A	TIMKE	370510R91	IH	3717671	GMC	372759	VICK
370119A	TIMKE	370513R91	IH	3717672	GMC	372762R91	IH
37012	HYST	370517R91	IH	3717672	GMC	372763R91	IH
370120A	TIMKE	370570	WHITE	371797C91	IH	3727B	JN-MN
370121A	TIMKE	3705725	GMC	3718	C-R	372823	WHITE
370124A	TIMKE	3705796	GMC	371876	SPICE	3728543	GMC
37013	DET	3705B	JN-MN	3718RC	SUL	373	IDECO
370131A	TIMKE	3705B	JN-MN	3719	C-R	373-0113	STEM
370132A	TIMKE	3706126	GMC	3719	C-R	373-0113	STEM
370145A	TIMKE	370651C91	IH	37194	SPICE	373-0123	STEM
37015	C-R	3706B	JN-MN	37194	VIC	373-0123	STEM
37015	C-R	370714	WHITE	371D6	WHITE	373-0143	STEM
370150A	TIMKE	3707356	GMC	371SL16	MACK	373-0143	STEM
370165A	TIMKE	3707356	GMC	372-7005	STEM	373-0213	STEM
370166A	TIMKE	3707389	GMC	372-7006	STEM	373-0213	STEM

! Industrial Size/Type * Minor Width Difference > Hub Mount % Spindle Mount \$F-M Number Is Part Of A Kit
 = Call 1-800-480-1212 for price and delivery.

NUMERICAL

Zero Duplication or Recommended		Zero Duplication or Recommended		Zero Duplication or Recommended		Zero Duplication or Recommended	
Mfr. No.	Name	Industrial	Mfr. No.	Name	Industrial	Mfr. No.	Name
375W216 C-R		455079!	3772034 GMC		5573 \$	37909757 JAE	473454
375W216-M1 C-R		455079!	377239R91 IH		473419	37909762 JAE	417254
375W218 C-R		417481	377240R91 IH		473419	379144 WHITE	473010
375W220 C-R		417343!	3772445 GMC		8976S	37919 GEM	6597S
375W220-M1 C-R		417343!	3772748 GMC		473179	37921 TIMKE	455134
375W222 C-R		455151	37728 GMC		473235!	37921A C-R	470059
375W224 C-R		417316!	37729 SPICE		415960	37921A C-R	470380
375W224-M1 C-R		417316!	37729 VIC		415960	3792463 GMC	5337
375W226 C-R		455005	3772999 GMC		5573 \$	379247R91 IH	416294!
375W228 C-R		417344!	3773 C-R		471103!	379248R91 IH	416294!
375W228-M1 C-R		417344!	3773B JN-MN		473423*	379249R91 IH	416294!
375W230 C-R		416956	3774 C-R		471103!	3792564 GMC	8293S
375W230-M1 C-R		416956	3774S TIMKE		3774	3792806 GMC	8293S
375W3 C-R		100495	3775184 GMC		7934S	3793 C-R	471103!
375W3 C-R		417349	37753 HYST		472572!	37932A C-R	471535!
376 CHEL		471763	37754 HYST		450111	37939 TIMKE	415035
37601 TROS		6936S	3776800 GMC		6818	3794 TIMKE	3794
376016 GMC		473459	3776S SPG		3776S	3794002 GMC	9178S
37605 C-R		416282	377786R91 IH		415001!	3794006 GMC	5113
376077 WITTE		471442!	377787R91 IH		415001!	3794B JN-MN	417020
37609H IH		417344!	377788R91 IH		417316!	3795B JN-MN	412119!
3760B JN-MN		472213	377789R91 IH		417316!	379643 WHITE	472636!
3761234 GMC		2055	3777B JN-MN		450463	379654 GMC	5756
3761361 GMC		481181!	377826 HYST		6822S	3796564 GMC	417506
37619 HYST		415995!	3779385 GMC		470954	3796575 GMC	417506
3761933 GMC		7412S	377959R91 IH		471684!	3796903 GMC	9015S
376215R91 IH		471684!	37802 VIC		370048A	3796B JN-MN	417344!
37626 HYST		472394	37802 VIC		380048A	3797B JN-MN	418028
3762B JN-MN		473214	37802 WHITE		370048A	3797B JN-MN	455137!
37631 C-R		416127	37802 WHITE		380048A	3799B JN-MN	416239!*
3763B JN-MN		472394	37802D IH		417356!	37X52X8 SIMRT	37X52X8
3764554 GM		72665	37802D IH		455188	37X52X8SC TRSCM	37X52X8
37649 C-R		417503	3780374 GMC		416273!	37X52X8TC TRSCM	37X52X8
3765 NATL		4539H	378040R91 IH		415389	380-8001 STEM	417507
376590 SPG		376590A%	378077R91 IH		455500!	380-8009 STEM	370145A
376590A NATL		370065A	378077R91 IH		455500	380-8010 STEM	AR5+370014A
376590A TIMKE		376590A	378078R91 IH		455500	380-8011 STEM	AR4+370011A
3765HX1 SPG		3765	378078R91 IH		455500!	380-8014 STEM	370015A
3766493 GMC		205044	378157R91 IH		472179	380-8017 STEM	418028
3766706 GMC		8976S	378158R91 IH		472179	380-8018 STEM	417134
3766B JN-MN		472439*	3781810 GMC		9613S	380-8020 STEM	AR1+370011A
37670 C-R		370023A	378191R91 IH		472319	380-8025 STEM	370002A
37670 C-R		5667	378192R91 IH		J990=	380-8027 STEM	370179A!
37675 JAC		471649!	378193R91 IH		5599 \$=	380-8028 STEM	370007A
376755C91 IH		40316S	3782343 GMC		8421S	380-8030 STEM	AR+370018A
376761 GMC		3638	37825 C-R		710205	380-8032 STEM	AR6+370012A
376764 ALLCH		472924!	3783B JN-MN		470334!	380-8034 STEM	370012A
3767702 GMC		5092	3785 SPG		1953	380-8035 STEM	370012A
3767OS JN-MN		481073*	3785 SPG		42X60X7!	380-8036 STEM	370001A
376851 GMC		722109	37850 C-R		455032!	380-8039 STEM	AR12+370033A
376855 GMC		722108	37857 SPERY		340356	380-8042 STEM	370002A
3768598 GMC		8243	37857 VICK		340356	380-8044 STEM	370054A
376930R91 IH		473230!	378673C91 IH		470898	380-8045 STEM	370057A
3769588 GMC		471341!	378674C91 IH		471272!	380-8046 STEM	370124A
3769B JN-MN		473228	378717 SPICE		6808N	380-8052 STEM	370015A
376G222 C-R		455151	37872 CHAMP		415683	380-8053 STEM	370124A
377-7713 STEM		370036A	3787296 GMC		9613S	380-8054 STEM	370131A
377-7713 STEM		370349A	378796R91 IH		417492	380-8056 STEM	370131A
377-7713 STEM		380036A	3788429 GMC		5337 \$	380-8060 STEM	AR10+370020A
377-7723 STEM		370065A	3788430 GMC		5337 \$	380-8063 STEM	370132A
377-7723 STEM		376590A	37901350 JAE		6283S	380-8064 STEM	370048A
377-7743 STEM		386025A	37902 TROS		450173	380-8066 STEM	370150A
377-7743 STEM		416158	37903 TROS		470606!	380-8067 STEM	370131A
377-7744 STEM		370037A	37904325 JAE		417205!	380-8071 STEM	370011A
377-7744 STEM		370338A	37904375 JAE		417247!	380001A TIMKE	380001A
3770169 GMC		7107A=	3790606 GMC		8293S	380003A TIMKE	380003A
3770297 GMC		471267!	3790622 GMC		8610	380003TX SPG	380003A
37707 NEHO		481181!	37908 GEM		471270!	380003TXO SPG	380003A
3771 TIMKE		3771	37908 ROSS		471270!	38000968 CUMMI	5742
3771094 GMC		418028	37908286 JAE		410102	380019C91 IH	370023A
377167A HERCU		240698	37909550 JAE		450472!	380022A TIMKE	416892
3772 TIMKE		3772	37909730 JAE		415303!	380023A TIMKE	380023A

! Industrial Size/Type * Minor Width Difference % Spindle Mount \$ F-M Number Is Part Of A Kit = Call 1-800-480-1212 for price and delivery.

NUMERICAL

Zero Duplication or Recommended		Zero Duplication or Recommended		Zero Duplication or Recommended		Zero Duplication or Recommended	
Mfr. No.	Name Industrial	Mfr. No.	Name Industrial	Mfr. No.	Name Industrial	Mfr. No.	Name Industrial
381363C92 IH	474276	3824 FWD	472394	3836B JN-MN	415303!*	38544 EATON	416956
38141 TROS	493291	3824B JN-MN	415027	3837 FWD	417316!	385507XX TIMKE	38X55X7
3814160 GMC	7537S	3824B JN-MN	415027!	3837 OLIVE	417316!	38551 EATON	416956
3814280 GMC	414045!	3825 FWD	472397!	383701R91 IH	472129=	38551602 IVECO	713131
38145 C-R	455032!*	38250 C-R	455189*	383727-C1 IH	730008	3855K MINNM	5756
38147 OLIVE	471689!	3825136 GMC	8460N	383728-C1 IH	730030	385610XX TIMKE	38X56X10
381480R1 IH	472258!	3825B JN-MN	455008	38373 JOY	42352S	385692R91 IH	471413!
381480R91 IH	472258!	3826129 GMC	411330!	383733R91 IH	472129=	385703R91 IH	471267!
3814R SPG	3814N	382663 GMC	472082	383748R91 IH	473474	385703R92 IH	471267!
3815 FWD	471192	3827 FWD	472016	3837560 GMC	8705S	385704R91 IH	471267!
38159 SPICE	472258!	3827712 CHRYS	370132A	3837716 GMC	240735	385766R91 IH	472299
38159 VIC	472258!	382776R91 IH	416664!	3837B JN-MN	472015!	3857716 GMC	8975S
3815B JN-MN	470625!	382778R91 IH	417349!	3837E GOODM	450400	3857731 GMC	8974S
3816 TIMKE	3816	382779R91 IH	417349!	383860R91 IH	473423	385808XX TIMKE	38X58X8
38160 C-R	455032!	3827B JN-MN	415138!*	3838B JN-MN	411394!	3858096 GMC	9195S=
381653 WHITE	415995!	3828009 STEM	370145A	3839 FWD	417158!	385819-C91 IH	HU012A
3817 FWD	473228	3828010 STEM	AR5+370014A	383968R1 IH	J1113	385820-C1 IH	730026
381721R91 IH	471224!	3828011 STEM	AR4+370011A	384 IDECO	417603!	3858316 GMC	8976S
3817308 GMC	417355!	3828017 STEM	418028	38407 OLIVE	473179	385864R91 IH	452222!
3817308 GMC	485497	3828018 STEM	471734	384090R91 IH	471424!	385865R91 IH	452222!
381742R91 IH	470380!	3828025 STEM	370002A	3841 FWD	417487	385871R91 IH	473419
381743R91 IH	472924!	3828027 STEM	370179A!	384115 WHITE	472636!	385872R91 IH	473419
3817883 GMC	8460N	3828585 GMC	7934S	384116 WHITE	415449!	3858832 GMC	470380!
3818896 GMC	8975S	382868C91 IH	473463	384132 GMC	9015S	38590 C-R	200948
38190 C-R	455189*	3828916 GMC	2081	3841372 GMC	8750S	38597 CHRYS	410308!
381907R91 IH	473367	3828B JN-MN	415227!	3841532 GMC	9015S	385FM224 C-R	415960*
381908R91 IH	473419!	3829 FWD	472636!	384156R91 IH	472018	386008XX TIMKE	38X60X8
381917R91 IH	415483	3829B JN-MN	415076*	38427 DANA	9316	3860095 GMC	3945
3819584 GMC	8477S	383-0136 STEM	370001A	384272 SPICE	9316	386010XX TIMKE	38X60X10
3819774 CUMMI	99650	383-0136 STEM	380001A	384301 WHITE	471271!	386169C91 IH	470565=
382-8028 STEM	370007A	383-0139 STEM	370033A	384334R91 IH	473230!	38618 C-R	476098N=
382-8032 STEM	AR6+370012A	383-0153 STEM	370124A	384342 WHITE	370036A	386207XX TIMKE	38X62X7
382-8034 STEM	370012A	383-0156 STEM	370131A	384342 WHITE	370349A	38625 C-R	417210!
382-8035 STEM	370012A	383-0156 STEM	380131A	3843648 GMC	8835S	3862674 CUMMI	40392
382-8036 STEM	370001A	383-0164 STEM	380048A	384386R91 IH	472164!	38631 C-R	417210!*
382-8039 STEM	AR12+370033A	383-0171 STEM	370011A	384387R91 IH	472164!	38633 C-R	417210!
382-8042 STEM	370002A	383-0264 STEM	380048A	3844 FWD	417354!	3863B JN-MN	415294!
382-8044 STEM	370054A	38301 TROS	42763	3845021 GMC	473016!	38640 C-R	417210!
382-8045 STEM	370057A	3830108 CHRYS	3095	3846D GOODM	415138!	38641 C-R	417210!
382-8052 STEM	370015A	3830109 CHRYS	3103!	3846E GOODM	415138!	3864171 GMC	9015S
382-8053 STEM	370124A	3830B JN-MN	417621!	384804 WHITE	416271!	38643 C-R	417210!
382-8056 STEM	370131A	3831 FWD	413247!	3848353 GMC	9613S	386455R91 IH	472924!
382-8056 STEM	417507	383133R91 IH	472129=	3848354 GMC	9613S	386456R91 IH	472924!
382-8060 STEM	AR10+370020A	383159R91 IH	473238!	384879R91 IH	416294!	386460R91 IH	472299
382-8063 STEM	370132A	383160R91 IH	473238!	3848OS JN-MN	471532	386461R91 IH	417492
382-8066 STEM	370150A	3831716 GMC	240735	38493TB TRSCM	415458!	38647 C-R	417210!
382-8071 STEM	370011A	3832368 GMC	8610	3849OS JN-MN	471646!	38649 C-R	3893V
3820196 CHRYS	3210	3832418 GMC	8660S	384K1 DIA	474276!	386508XX TIMKE	38X65X8
3820197 CHRYS	493291	383287 WHITE	417344!	385 IDECO	455251H	38653 C-R	417210!
3820419 GMC	472258!	3833 FWD	415449!	385007XX TIMKE	38X50X7	3865358 GMC	6818
3820917 CUMMI	99351	383314R91 IH	473367	385038R91 IH	471466!	38654 C-R	417210!
3820918 CUMMI	99333	383315R91 IH	473419!	385039R91 IH	471466!	38654 DENCO	418028
3821 FWD	472179	383328R91 IH	471224!	38504 HYST	413469!	38654 DENCO	455137!
382119 WHITE	418028	383332R91 IH	471649!	385042 CHRYS	473234!	386590TD SPG	386590A
382119 WHITE	455137!	383333R91 IH	471765!	385043 CHRYS	472439	3865924 GMC	473179
3821395 CHRYS	473204	383340R91 IH	470380!	385076R91 IH	471653!	3866 FWD	457874
3821401 CHRYS	710005	383341R91 IH	472924!	385077R91 IH	471653!	38666 C-R	417211!
382150 WHITE	471141!	3833648 GMC	8835S	3850E GOODM	415066	38667 C-R	417211!
3821519 CHRYS	415960!	383387R91 IH	472070	385134R91 IH	471413!	3866719 GMC	472705!
3821656 GMC	8974S	383394R91 IH	416664!	38514SA TRSCM	455033	38668 C-R	417211!
3821783 CUMMI	5741	383395R91 IH	416664!	3851703 GMC	481181!	3866845 GMC	471707N
38220 C-R	455189	3833OS JN-MN	450593!	3851853 GMC	7338N	38669 C-R	417211!
38220 TROS	5877	3835 FWD	415458!	38520 C-R	98X120X13	3866992 GMC	470530!
3822107 CHRYS	472015!	383516C91 IH	410308!	385207XX TIMKE	38X52X7	38670 C-R	417211!
3822192 CHRYS	415379	383516C91 IH	473468	38524TA TRSCM	417366!	3867349 CHRYS	370023A
382220R91 IH	472070	383524 GM	424	3852984 GMC	8460N	38676 C-R	417211!
382229R91 IH	471649!	3835625 GMC	450375!	385308XX TIMKE	38X53X8	38677 C-R	417211!
382230R91 IH	471765!	3835625 GMC	69365!	38531A HERCU	470712!	3867960 GMC	471271!
3822829 CHRYS	413248	3835625 GMC	9845	38534SA TRSCM	415958!	3867961 GMC	471272!
3823 FWD	473238	3835774 GMC	5419\$	385397 WHITE	455612=	38680 C-R	417211!
382386 WHITE	415449!	3835946 GMC	69365!	385407XX TIMKE	38X54X7	386808XX TIMKE	38X68X8
382387 WHITE	472636!	38360 TROS	50402	385410XX TIMKE	38X54X10	386810XX TIMKE	38X68X10

! Industrial Size/Type * Minor Width Difference \$F-M Number Is Part Of A Kit = Call 1-800-480-1212 for price and delivery.

Zero Duplication or Recommended		Zero Duplication or Recommended		Zero Duplication or Recommended		Zero Duplication or Recommended		
Mfr. No.	Name	Mfr. No.	Name	Mfr. No.	Name	Mfr. No.	Name	
38682	C-R	416345!	38728	C-R	55337	387W3	C-R	417350!
38686	C-R	416345!	3873	C-R	417350!	387W3-M1	C-R	417350!
38686	C-R	455033	38730	C-R	417366!*	387WL224	C-R	415960!
38687	C-R	416345!	387309C91	IH	417316*	3880	GARLK	471760
38687	C-R	455033	38731	C-R	417366!*	3880674	GMC	6358
38691	C-R	416345!*	38732	C-R	417366!	3880944	GMC	AR22
38692	C-R	416345!*	387328	GR-DV	417211!	3880B	JN-MN	470530!
38695	C-R	416345!	38733	C-R	417366!	38810	C-R	416043
38695	C-R	455033	38734	C-R	417366!	38816D	IH	474253
38696	C-R	416345!	38739	C-R	415148!	3881B	JN-MN	473463
38696	C-R	455033	3873M1	C-R	417350!	388247C92	IH	HU009A
3869AB	CASE	476838!	3873T8	C-R	417350!	3883	SPG	55X82X12!
386W222	C-R	455008	3874	C-R	6358	38832	TIMKE	471267
386W224	C-R	415960	3874	FWD	416077	3883386	GMC	2081
386W224-M1	C-R	455008	387408R91	IH	480268N=	38835	CHRY	470898
386W226	C-R	417485	387408XX	TIMKE	38X74X8	388357	GMC	8940S
387-8736	STEM	370001A	387411XX	TIMKE	38X74X11	3883621	CUMMI	37586
387-8755	STEM	370131A	3874340	GMC	5119	3883621	CUMMI	600394
387-8756	STEM	370131A	3874368	GMC	9128S	3883774	CUMMI	5742
387-8763	STEM	370132A	3874372	GMC	AR21	3883775	CUMMI	5741
387-8764	STEM	370048A	38745	C-R	415958!	388506	WHITE	412119!
38700	C-R	416345!	38745	C-R	415958	3885295	GMC	8750S
38701	C-R	416345!	38746	C-R	370023A	388770	WHITE	415137!
387010XX	TIMKE	38X70X10	38747	C-R	415958	388770	WHITE	418028
387015C1	IH	5111	38748	C-R	417505	38880	C-R	710526
387015C1	IH	5111S	387487	WHITE	470334!	388822C91	IH	476470
38703	C-R	415697!*	38749	C-R	417505	388823C91	IH	416130!
387036C1	IH	321460	38750	C-R	380023A	388974	GMC	9049
387036C91	IH	321460	387596	WHITE	415371	388974	GMC	9049N
38704	C-R	416345!	3875B	JN-MN	417211!*	3889B	JN-MN	471504!
387054	WHITE	473367	3876191	GMC	8705S	388WL222	C-R	455008
387054	WHITE	473367!	3876192	GMC	7934S	389083R91	IH	415871
38706	C-R	415697!	3876B	JN-MN	473229	389160001	WHITE	472636!
38706	C-R	455547	38774	C-R	370023A	3891B	JN-MN	417356!
38707	C-R	415697!	38774	C-R	416892	3891B	JN-MN	455188
38708	C-R	415697!	38774	C-R	456618	3892794	CUMMI	5734
3870890	CUMMI	39715	38777	C-R	456618	3892B	JN-MN	416364!*
38709	C-R	370033A	38778	C-R	456618	3893105	CHRY	370001A
38710	C-R	415697!	38779	C-R	370023A	3893105	CHRY	380001A
38710	C-R	455547	38779	C-R	380023A	3893149	CHRY	HU009A
38711	C-R	415697!	3877B	JN-MN	472164!	3893298	GMC	5072
38712	C-R	417366!*	3878	SPG	1873	3893299	GMC	5072\$
38713	C-R	415697!*	38780	C-R	370023A	3893V	TIMKE	3893V
3871619	GMC	9613S	38780	C-R	380023A	389405R91	IH	470530!
3871649	GMC	470380!	38782	C-R	370023A	389405R92	IH	470530!
3871649	GMC	472189A!	38782	C-R	380023A	389406R91	IH	470530!
387178	WHITE	472636!	38783	C-R	370023A	389407R91	IH	472439
38718	C-R	417366!*	3878447	CHRY	471539	389407R92	IH	472439
38719	C-R	417366!*	3878447	GMC	471539!	389408R91	IH	472439
3872	FWD	455584	3878753	STEM	370124A	3894121	CHRY	710044
387210XX	TIMKE	38X72X10	3878B	JN-MN	472144!*	3894131	CHRY	41461S
387212	C-R	417480!	3879527	GMC	411330!	3894147	CHRY	710304
387216	C-R	415082	3879529	GMC	417196!	389445R91	IH	471750!
387216	GAL	415082	3879536	GMC	417355!	389446R91	IH	471750!
387216M1	C-R	415082	3879536	GMC	485497	3894V	TIMKE	3894V
387218	C-R	455280	387B224	C-R	415960	3895020	CUMMI	5728
387218M1	C-R	455280	387BMM224	C-R	415960	3895023	CUMMI	5732
387220	C-R	415007	387F224	C-R	415960	3895034	CUMMI	39869
387220	GAL	415007	387FF218	C-R	455280	3895B	JN-MN	472409!
387220	GW	415007	387FM224	C-R	415960!	3896	TIMKE	3896
387220M1	C-R	415007	387FM224	C-R	415960	3896837	CUMMI	5734
387222	C-R	455008	387HMS217	C-R	415082	3897B	JN-MN	473215!*
387222M1	C-R	455008	387N224-T8	C-R	415960*	389879	WHITE	415041
387224	C-R	455008!	387N230	C-R	417159	389880	WHITE	415021
387224	FAIRB	415960!	387W218	C-R	455280*	389881	WHITE	5751
387224	GOODM	415960!	387W220	C-R	415007*	389RC	SUL	472016
387224M1	C-R	415960	387W220-M1	C-R	415007*	38G42	OSHO	416654
387226	C-R	417485	387W222	C-R	455008*	38GX42	OSHO	416654
387226M1	C-R	417485	387W224-M1	C-R	415960	38H021	SHOV	474276!
387228	C-R	417158!	387W226	C-R	417485*	38X50X10.5	FME	223800
387230	C-R	417159	387W230	C-R	417159*	38X50X10.5	SPG	223800
38724	C-R	55087=	387W230-M1	C-R	417159*	38X50X7SC	TRSCM	38X50X7!

! Industrial Size/Type * Minor Width Difference \$ F-M Number Is Part Of A Kit = Call 1-800-480-1212 for price and delivery.

NUMERICAL

Zero Duplication or Recommended Industrial		Zero Duplication or Recommended Industrial		Zero Duplication or Recommended Industrial		Zero Duplication or Recommended Industrial	
Mfr. No.	Name	Mfr. No.	Name	Mfr. No.	Name	Mfr. No.	Name
390-9056	STEM	370023A	391-0060	STEM	370005A	392-9088	STEM
390-9056	STEM	415958	391-0064	STEM	370020A	392-9089	STEM
390-9056	STEM	417505	391-0064	STEM	370021A	392-9089	STEM
390-9057	STEM	417506	391-0070	STEM	370006A	392-9090	STEM
390-9060	STEM	370005A	391-0073	STEM	370003A	392-9092	STEM
390-9061	STEM	370030A	3910B	JN-MN	417205!*	392-9094	STEM
390-9062	STEM	370121A	3911035	WOOL	455406!	392-9095	STEM
390-9063	STEM	2081	39111	FI-CO	472439	392-9096	STEM
390-9064	STEM	370021A	39114	FI-CO	474278!	392-9097	STEM
390-9065	STEM	370019A	39115	FI-CO	474256	392-9098	STEM
390-9070	STEM	370006A	39118	C-R	100X120X10	392-9099	STEM
390-9073	STEM	370003A	39118	SPICE	5778	392-9111	STEM
390-9081	STEM	370173A	39118	VIC	5778	392-9112	STEM
390-9087	STEM	370006A	39118-2	DANA	5778	392-9131	STEM
390-9088	STEM	370021A	3911917	GMC	470530!	3920121	MARMO
390-9089	STEM	370069A	3911B	JN-MN	455151	3920122	MARMO
390-9089	STEM	380069A	3912	FI-CO	471344	3920122	MARMO
390-9090	STEM	415058	39120	C-R	100X120X12!	3920123	MARMO
390-9092	STEM	370019A	39120	C-R	231002	3920125	MARMO
390-9094	STEM	416892	3912016	GMC	416273!	3920126	MARMO
390-9095	STEM	370030A	39122	C-R	231002	39202	TROS
390-9096	STEM	370019A	3912202	GMC	472164!	392048	WHITE
390-9097	STEM	370005A	3912446	GMC	481181!	39210	FI-CO
390-9098	STEM	370003A	39125	C-R	100X120X12V!	3921012	GMC
390-9099	STEM	370023A	39125	C-R	231004	3921072	GMC
390-9099	STEM	415958	3912RC	SUL	474265	3921194	GMC
390-9099	STEM	417505	3913	FI-CO	471571	39216	FI-CO
390-9111	STEM	370220A	39135	C-R	100X125X12!	3921927	COND
3900709	COND	39803	39135	C-R	231003	3921927	CUMMI
3900709	CUMMI	39803	39136	C-R	100X125X12V!	392194	HYST
3900709080	CUMMI	39803	39139	C-R	231003	3921972	GMC
3901014	GMC	5453	39140	TIMKE	471192	3921B	JN-MN
390106	HYST	417247!	39140	TROS	3210	3922	FI-CO
3901979	COND	39804	3914761	COND	39806	3922598	CUMMI
39022	OLIVE	470334!	391483	BR-ST	471267!	3922B	JN-MN
3904087	COND	39805	3914B	JN-MN	55223* =	3922B	JN-MN
3904088	COND	39806	39155	C-R	100X130X12!	39235	FI-CO
3904089	COND	39805	39156	C-R	100X130X12!	39236	FI-CO
3904090	COND	39806	39158	C-R	100X130X12!	392363R91	IH
3904353	CUMMI	39803	39159	C-R	100X130X12V	392363R91	IH
390490C91	IH	476574N	39160	TROS	470625!	39237	FI-CO
390491C91	IH	416500	39161	TROS	6489	392378R91	IH
3904B	JN-MN	471141!	39162	TROS	480630	3924031	GMC
3905	TIMKE	100263	3917	FI-CO	474255	3924032	GMC
3905	TIMKE	3905	39170	C-R	710351	3924033	GMC
3905405	GMC	481181!	39180	C-R	100X140X13	3924127	GMC
390558	AUTOZ	35634	3918B	JN-MN	415938	39245	C-R
39058	OLIVE	473215!	3919309	GMC	471424!	39246	SPICE
390586	AUTOZ	35633	391975R91	IH	412119!	392461	DANA
390589	AUTOZ	35641	391976R91	IH	412119	392462	DANA
390603	AUTOZ	TCS45987	392-9001	STEM	AR20+370004A	392463	DANA
390606	AUTOZ	35652	392-9007	STEM	416865	392464	DANA
3906080	CUMMI	99253	392-9010	STEM	370033A	392465	DANA
3906081	CUMMI	99491	392-9012	STEM	370023A	3924987	CUMMI
390613	AUTOZ	BS40654	392-9018	STEM	370008A	3924B	JN-MN
390659	WHITE	476838!	392-9019	STEM	370057A	39250	C-R
390680	AUTOZ	16270	392-9021	STEM	370027A	39251	C-R
390681	AUTOZ	16271	392-9032	STEM	370036A	3925529	CUMMI
390683	AUTOZ	16272	392-9032	STEM	380036A	39265	C-R
390684	AUTOZ	16273	392-9033	STEM	416888	39266	C-R
390697	AUTOZ	70725	392-9035	STEM	370047A	3926B	JN-MN
3907	TIMKE	3907	392-9036	STEM	415437	39275	C-R
39070	C-R	710278	392-9038	STEM	370046A	39276	C-R
390734	AUTOZ	TCS45979	392-9046	STEM	370027A	39279	C-R
3907B	JN-MN	415150!*	392-9048	STEM	370069A	39280	C-R
39085	C-R	476517	392-9048	STEM	380069A	3929	FI-CO
3909	TIMKE	3909	392-9053	STEM	AR23+370120A	3929034	STEM
3909410	CUMMI	39805	392-9057	STEM	417506	3929130	STEM
390RC	SUL	473245!	392-9062	STEM	370121A	392929C91	IH
391-0003	STEM	416892	392-9063	STEM	2081	392929C92	IH
391-0004	STEM	415058	392-9081	STEM	370173A	3929B	JN-MN
391-0012	STEM	370023A	392-9087	STEM	370006A	3929B	JN-MN

! Industrial Size/Type * Minor Width Difference \$F-M Number Is Part Of A Kit = Call 1-800-480-1212 for price and delivery.

Zero Duplication or Recommended		Zero Duplication or Recommended		Zero Duplication or Recommended		Zero Duplication or Recommended						
Mfr. No.	Name	Mfr. No.	Name	Mfr. No.	Name	Mfr. No.	Name					
39426	C-R	AR25+370198A	39667A	C-R	6098=	39805	TIMKE	39805	39906	C-R	415035	
39426	CAO	SPG	3942	3966B	JN-MN	473211!	39807	MATHR	39807	39906	C-R	415035!
3943	C-R	455509	3966BX	SPG	3966	39807	TIMKE	39807	39910	TIMKE	472311	
39430	C-R	417506	3967875	GMC	473313	39809	TIMKE	417621	39915	C-R	415035*	
39431	MISSI	471785!	3967876	GMC	410308!	39813	MATHR	415937	39915	MATHR	5609	
394312	MISSI	471785!	3967876	GMC	473468	39813	TIMKE	415937	399162	WHITE	470898!	
394313	MISSI	474274	3967B	JN-MN	470059	39815	TIMKE	39815	39920	TIMKE	39920	
394314	MISSI	473239	3967B	JN-MN	470380!	39817	TIMKE	39817	39920D	IH	470334!	
394316	MISSI	471224!	3967CA	SPG	3967	39821	TIMKE	39821	39921	C-R	415035*	
39432	MISSI	474274	3967CAR	SPG	1962	39823	TIMKE	39823	39921	C-R	456967V!	
394322	MISSI	455321	3968050	GMC	473214!	39825	TIMKE	39825	39922	C-R	415035*	
394323	MISSI	411376!	3968B	JN-MN	472185!	39827	TIMKE	39827	39922	C-R	475845!	
39433	MISSI	473239	39693	DANA	9864S	3982B	JN-MN	417171!	39923	C-R	415035	
39435	MISSI	471554	39693	SPICE	9864S	3983	NATL	8835S	39923	C-R	475845!	
39439	VIC	9316	396993	WHITE	415995!	398311	WHITE	473231!	39925	TIMKE	39925	
39439-2	SPICE	9316	3969B	JN-MN	417362!	398321R91	IH	470625!	39926	C-R	415035	
39440	C-R	6270	397-9703	STEM	416892	3983488	GMC	5132	39926	C-R	415035!	
39440	TROS	5921	397-9704	STEM	415058	39835	TIMKE	39835	39926	TIMKE	39926	
394451C91	IH	470898	397-9712	STEM	370023A	39837	TIMKE	39837	39927	C-R	415035!	
39448	MATHR	417433	397-9715	STEM	370023A	39838	C-R	335924N	39927	C-R	415035	
3945	C-R	10X22X7!	397-9748	STEM	370069A	39842	C-R	457294	39930	C-R	415035=	
3945	TIMKE	3945	397-9748	STEM	380069A	39849	TIMKE	39849	39930	TIMKE	39930	
394504	WHITE	417267	397-9757	STEM	417506	39850	C-R	415187	39931	C-R	415035!	
394511	WHITE	415711	397-9760	STEM	370005A	39851	C-R	415187	39931	C-R	415035	
3945B	JN-MN	476470	397-9761	STEM	370030A	39851	TIMKE	470898	39932	C-R	456967V	
3946	TIMKE	472572	397-9764	STEM	370021A	39852	C-R	415187	39933	C-R	415035!	
394629	WHITE	472354!	397-9765	STEM	370019A	39853	TIMKE	470898	39933	C-R	415035	
394686C91	IH	9912	397-9770	STEM	370006A	3985CA	SPG	3985	39934	C-R	415035	
3947	C-R	10X22X7V	397-9773	STEM	370003A	3985CAR	SPG	1992	39935	C-R	415035*	
394735C91	IH	HU036A	39701	TIMKE	39701	3985CAR	SPG	45X65X8!	39935	CLARK	471689!	
394745	WHITE	475348N	39703	TIMKE	415937	39860	C-R	45187S	399356	WHITE	415043	
394746	WHITE	5M466	39705	TIMKE	39705	39861	TIMKE	39861	39937	C-R	415035	
394761	WHITE	472636!	39708	MATHR	50568	39865	TIMKE	39865	39938	C-R	415035	
3948889	GMC	730031	39711	TIMKE	473517	39867	TIMKE	39867	3993RC	SUL	415938	
394894C91	IH	370001A	39713	TIMKE	39713	39869	TIMKE	39869	399499	HYST	417247!	
3948BHR	SPG	5604	397143	WHITE	472185!*	3986B	JN-MN	472258!*	39952	TIMKE	39952	
39494SA	TRSCM	415034	397144	WHITE	473010	3986CAR	SPG	224820	39954	TIMKE	39954	
394976	VICK	474260	39715	TIMKE	39715	3986CAR	SPG	48X62X8!	39956	TIMKE	39956	
3950	C-R	10X24X7	39717	TIMKE	472409	39870	C-R	415187	39958	TIMKE	39958	
3951	CALSO	471870!	39719	TIMKE	472409	398744	CATER	417562	3995B	JN-MN	416921!	
395125C91	IH	9773	3971B	JN-MN	415725!	39875	TIMKE	39875	39961	C-R	345035	
3952	C-R	10X25X7	39723	TIMKE	39723	39877	TIMKE	39877	39970	C-R	415035!	
39524SA	TRSCM	455191	3973135	GMC	5115	398770	GMC	HU009A	39970	C-R	415035	
3952B	JN-MN	416107!	39732	TIMKE	39732	39879	TIMKE	39879	39971	C-R	415035	
3952B	JN-MN	455073	397325	WHITE	473228!	3987936	GMC	7412S	39971	C-R	415035!	
3953412	GMC	9406S	3973462	GMC	9845	3987937	GMC	481181!	399736C91	IH	415483!	
395500R91	IH	450639	397470	GMC	470380!	39880	C-R	415035	39975	C-R	417356!	
395591	WHITE	471567!	3974846	GMC	370106A	39880	C-R	415035*	39975	C-R	455188	
3956523	FORD	4162	3974847	GMC	2081	39880	TIMKE	39880	39979	C-R	AR12+370033A	
3958001	GMC	5092	3974848	GMC	2055	39881	TIMKE	39881	39979	C-R	AR25+370198A	
3958078	GMC	8835S	3974849	GMC	417355!	39882	TIMKE	39882	399798R91	IH	416664!	
3960	C-R	10X26X7	3974849	GMC	485497	39883	C-R	415035*	3998	CINMI	470712!	
3960335	GMC	8660S	3974850	GMC	6358	39883	TIMKE	39883	39980	C-R	417356!	
39608	TIMKE	39608	3975731	GMC	473229	39885	C-R	415035	39980	C-R	455188	
3960860	GMC	471466!	3975B	JN-MN	471870!	39885	TIMKE	39885	39981	C-R	417356!	
396148C91	IH	415995!	39760	C-R	710371	39886	TIMKE	39886	39981	C-R	455188	
396148C91	IH	415995!	3976B	JN-MN	412473!	39887	TIMKE	39887	39982	C-R	417356!	
3961VGO	SPG	2260	3977359	GMC	2286	39888	TIMKE	39888	39983	C-R	417356!	
3962863	GMC	5072	3979613	GMC	9316	39889	TIMKE	39889	39984	C-R	417356!	
39636	SPG	39636	3979614	GMC	5778	39890	TIMKE	39890	39984	C-R	455188	
396395-C92	IH	370021A	3979615	GMC	6808N	39893	TIMKE	39893	39985	C-R	417356!	
396470	GMC	2043	3979616	GMC	5778	39894	TIMKE	39894	3998519	GMC	8660S	
3964B	JN-MN	416706!	3979626	GMC	470954	39895	C-R	415035	399857	WHITE	470530!	
3964BXR	SPG	1969	3979735	STEM	370047A	39895	C-R	415035!	39988	C-R	AR12+370033A	
3965092	GMC	4739	3979B	JN-MN	473367!	3989505	GMC	8835S	3998OS	JN-MN	415196!*	
3965129	GMC	472394	3979B	JN-MN	473367	3989506	GMC	8835S	39990	C-R	AR12+370033A	
396524	WHITE	473462	39801	TIMKE	39801	39899	TIMKE	39899	39991	C-R	417357	
396526C91	IH	370019A	39802	TIMKE	415303	3989CA	SPG	1974	39991	C-R	455192!	
3965B	JN-MN	473010	3980267	GMC	9845	398GX	OSHKO	416654	39993	C-R	417357	
3965LPD	JN-MN	473010	39803	TIMKE	39803	39900	TIMKE	39900	39994	C-R	417357	
3965LUP	JN-MN	473010	39804	TIMKE	39804	39904	TIMKE	39904	39997	C-R	417357	
			39805	MATHR	39805	39905	C-R	415035	39997	C-R	455192!	

! Industrial Size/Type * Minor Width Difference = Call 1-800-480-1212 for price and delivery.

Zero Duplication or Recommended		Zero Duplication or Recommended		Zero Duplication or Recommended		Zero Duplication or Recommended		
Mfr. No.	Name Industrial	Mfr. No.	Name Industrial	Mfr. No.	Name Industrial	Mfr. No.	Name Industrial	
39998	C-R	417357	3G19426 NATEN	415551	3M6853 CATER	451583!	40000320 FIAT	713051
39999	C-R	417357	3H1397 CATER	473228	3N0533 CATER	417171!	400003205 HERCU	485197H=
3999B	JN-MN	418028	3H1589 LEYLD	470898	3NE-08 GEM	6597S	400003239 WHITE	416332!
3999B	JN-MN	455137!	3H1590 CATER	415035	3NF-01 GEM	240949	40000350 FIAT	713032
399AMM3	C-R	415995!	3H2008 CATER	415899N	3NF12 GEM	6597S	40000410 IVECO	713133
399B230	C-R	416654*	3H2008 CATER	416624	3PS396 C-P	415449!	40000450 FIAT	226480
399B3	C-R	415995	3H2019 CATER	471787!	3R12521 GMC	416102	40000450 FIAT	713160
399B3	C-R	415995!	3H2118 LEYLD	472164!	3R8555 GMC	415683	40000460 FIAT	226480
399BM3	C-R	415995!	3H2129 AU-WS	471192	3R8556 GMC	416364!	40000470 FIAT	223035
399BM3	C-R	415995!	3H7047 AU-WS	473228!	3R8557 GMC	415294!	40000470 YUGO	223035
399C3	C-R	415995!	3H995 CATER	417343!	3R963 GMC	416865!	40000480 IVECO	713108
399C3	C-R	415995	3HF14 GEM	6597S	3S2214 CATER	473234!	40000490 FIAT	713065
399E3	C-R	415995	3J0366 CATER	412871!	3S2845 CATER	417555 =	40000520 IVECO	713126
399FM28	C-R	471341!*	3J0370 CATER	413479*	3SPC22A NOVO	470059	40000560 IVECO	713114
399N230	C-R	416654	3J0371 CATER	416271!	3SPC22A NOVO	470380!	40000620 FI-AL	713085
399W228	C-R	416921!	3J0374 CATER	415938	3T1003 HU-WR	415379	40000660 IVECO	713139
399W228-M1	C-R	416921!	3J0375 CATER	415960	3T1003 HU-WR	415379!	40000690 IVECO	713112
399W3-M1	C-R	415995!	3J0377 CATER	415938	3T1004 HU-WR	470625!	40000720 FI-AL	713086
3A100	AT IM	476470	3J0378 CATER	472572!	3T1014 HU-WR	415449!	40000730 FI-AL	713083
3A2701	FMC	471870!	3J1516 CATER	416380!	3T1015 HU-WR	472636!	40000740 FI-AL	713079
3A2702	FMC	471271!	3J1813 CASE	417487	3T1026 HU-WR	471689!	40000770 FIAT	223620
3A2836	AT IM	474260	3J1813 CATER	417487!	3T1549 HU-WR	471765!	40000810 FIAT	223014
3A2925	AT IM	450545	3J1813 CATER	417487	3T1554 HU-WR	415442!	40000850 IVECO	713096
3A653	AT IM	471570!	3J1814 CATER	416364!	3T1554 HU-WR	55442	40000880 FI-AL	713080
3A669	AT IM	473467!	3J3153 FMC	472636!	3T1555 HU-WR	471652	40000950 IVECO	713109
3A75	AT IM	471267!	3J3154 FMC	417191	3T1572 HU-WR	473244	40000LDS JN-MN	473214!
3A76	AT IM	471760	3J3602 FMC	471271!	3T1641 HU-WR	7208S	40001 C-R	417357
3A89	AT IM	472705!	3J365 CATER	415458!	3T1746 HU-WR	240319	40001 C-R	455192!
3B1226	CATER	471821!	3J366 CATER	412871!	3W5694 CATER	416892	40001010 IVECO	713098
3B1508	CATER	471442!	3J368 CATER	415295 =	3XE446 PARGN	411253!	40001020 IVECO	713088
3B3355	CATER	471224!	3J369 CATER	415988	3Y224 GWI	415001!	40001050 IVECO	713105
3B3443	CATER	473460	3J371 CATER	416271!	3Y393 CHRYS	471141!	40001060 IVECO	713099
3B3443	WESTR	473460	3J372 CATER	415138!	3Y393 GWI	471141!	40001150 MERCE	222510
3B3657	CATER	415196!	3J373 CATER	471138!	3Y393 IH	471141!	40001150 MERCE	25X35X7!
3B3716	CATER	415021	3J374 CATER	415938	3Y393 WHITE	471141!	40001320 FI-AL	713082
3B3887	CATER	473426	3J375 CATER	415960	3Y569 GWI	472409!	40001440 IVECO	713100
3B3888	CATER	471504!	3J377 CATER	415938	4-1056 TW-CO	50631	40001460 FIAT	713028
3B5657	CATER	415196!	3J378 CATER	472572!	4-1062 TW-CO	5M497	40001570 IVECO	713120
3B5746	CATER	472287!	3J4407 CATER	471554	4-4055 IPS	473823	40001600 FIAT	713060
3B7360	CATER	415458!	3J4544 CATER	471466	4-7198 FLXIB	416865!	40001650 IVECO	713110
3B7360	WESTR	415458!	3J4776 CATER	473464	4-7198 TW-CO	416865!	40001720 YUGO	222510
3B8188	CATER	415899N	3J4777 CATER	410987!	4-AL1327 MACK	240023	40001720 YUGO	25X35X7!
3B8188	CATER	416624	3J484 CATER	415379	4-AL1328 MACK	471571	40001790 FIAT	713102
3B8564	CATER	474253!	3J8517 CATER	415295	40-0003205 WHITE	485197H=	40001790 IVECO	140X160X13!
3B8984	CATER	471137	3J8518 CATER	415138!	40-01642 TW-CO	473444	40001790 MERCE	140X160X13!
3B9008	CATER	417191	3J8519 CATER	415938	40-01643 TW-CO	473238!	40001860 FIAT	713048
3B9008	CATER	456585	3J8520 CATER	416364!	400 UNIVE	417357	40001880 IVECO	227540
3B9116	CATER	415991	3J8521 CATER	415027	400 UNIVE	455192!	40001880 IVECO	227550
3B9116	CATER	455146!	3J8523 CATER	415295	4000-1660 MERCE	1999	40001880 IVECO	75X100X12!
3B9369	CATER	416956	3J9091 CATER	472016	4000-1900 IVECO	229005	40001910 IVECO	100X130X12!
3B9378	CATER	417211!	3J9092 CATER	472016	4000-1900 IVECO	229006	40001910 IVECO	713090
3B9387	CATER	417211!	3J9681 CATER	415379	4000-1920 MERCE	416156	40001930 IVECO	125X150X12!
3BLA0236	WHITE	470898!	3K0158 CATER	455948	4000-1940 IVECO	231404	40001930 IVECO	231250
3CF1157	OLIVE	40085S	3K158 CATER	455948	4000-1940 MERCE	231404	40001930 MERCE	125X150X12!
3CF1209	OLIVE	411253!	3K2876 CATER	417484!	4000-3510 IVECO	717006	40001930 MERCE	231250
3CF1231	OLIVE	450400	3K2969 CATER	480630!	40000 C-R	417357	40001LDS JN-MN	415379
3D8417	CATER	415128	3K3065 CATER	473237!	40000010 FI-AL	713081	40001LDS JN-MN	415379!
3F0984	CATER	415351!	3K3354 CATER	416037 =	40000040 FIAT	227040	40002 C-R	417357
3F1395	CATER	415196!	3K5093 CATER	457808* =	40000050 FIAT	224025	40002 C-R	455192!
3F3211	CATER	472439	3K6454 CATER	452157!	40000050 YUGO	224025	40002050 IVECO	713137
3F3709	CATER	472492!	3K9061 CATER	416037 =	4000001 WAYNE	417495	40002120 FIAT	713041
3F4991	CATER	471689!	3K9121 CATER	415035!	40000100 FIAT	713027	40002130 FIAT	713047
3F5791	CATER	415035!	3K9612 CATER	476470!	4000015 GMC	412920!	40002180 FIAT	713037
3F6605	CATER	471138!	3K9615 CATER	411253 =	40000170 FIAT	713055	40002230 IVECO	713093
3F690	CATER	480630!	3K9619 CATER	476470!	40000220 IVECO	713118	40002440 FI-AL	713084
3F885	CATER	472439	3K9704 CATER	411376!	40000230 FIAT	713077	40002450 IVECO	713125
3F9351	NATEN	417191	3L0642 CATER	415302	40000240 FIAT	223275	40002540 AUTOB	713021
3F9351	NATEN	455165!	3L3313 CATER	416891!	40000240 FIAT	32X56X10!	40002600 IVECO	713144
3F9497	NATEN	416891!	3L3314 CATER	417262 =	40000260 FIAT	222860	40002690 IVECO	713121
3F9498	NATEN	416891!	3L642 CATER	415302	40000260 FIAT	28X47X7!	40002741 FIAT	227409
3F984	CATER	415351!	3M188 CATER	471442!	40000280 IVECO	713130	40002810 FI-AL	713078
3FT39	OSHKO	417181!	3M6839 CATER	455029H =	40000300 FIAT	224220	40002850 IVECO	713092

! Industrial Size/Type * Minor Width Difference = Call 1-800-480-1212 for price and delivery.

Zero Duplication or Recommended		Zero Duplication or Recommended		Zero Duplication or Recommended		Zero Duplication or Recommended	
Mfr. No.	Name	Mfr. No.	Name	Mfr. No.	Name	Mfr. No.	Name
40002900	FIAT	1963	400085	C-R	800085	40027S	TIMKE
40002900	YUGO	1963	40009	DENCO	471766!	40028	C-R
40003	C-R	417357	40009	JN-MN	HU013A	40028	CLARK
40003	C-R	455192!	40009	SPG	240009	400280	C-R
40003	JN-MN	HU024A	40009S	SPG	471466	400281	C-R
40003-33	TW-CO	471765!	400100	C-R	800100	400284	C-R
400030	C-R	800030	400101	C-R	800101	400285	C-R
40003080	FIAT	713068	400104	C-R	800104	4003	C-R
40003260	IVECO	713127	4001040	IVECO	713129	4003	CABOT
40003270	FIAT	713025	400105	C-R	800105	4003	FAIRB
40003300	FIAT	713061	400120	C-R	800120	4003	GR-DV
40003310	FIAT	713056	400121	C-R	800121	4003	GW
400034	C-R	800034	400124	C-R	800124	400300	C-R
40003610	AUTOB	713020	400125	C-R	800125	40030004	TROS
4000370	IVECO	713122	400130	C-R	800130	40030007	TROS
40003710	IVECO	713124	400134	C-R	800134	40030007.5	TROS
40003990	YUGO	226480	400140	C-R	800140	40030007C	TROS
40004	C-R	417357	400141	C-R	800141	40030007C	TROS
400040	C-R	800040	400144	C-R	800144	40030009.25	TROS
40004000	FIAT	713072	4001449	ALLCH	472394	40030009.25	TROS
40004030	FIAT	713030	40014490	ALLCH	472394	40030010	TROS
40004110	FIAT	713049	400145	C-R	800145	40030010	TROS
40004170	FIAT	713058	4001456	ALLCH	472394	400301	C-R
40004190	FIAT	713071	4001459	GW	415295	400304	C-R
40004200	FIAT	713033	400160	C-R	800160	400305	C-R
40004210	FIAT	713052	400161	C-R	800161	40030807.5	TROS
40004230	FIAT	713026	400164	C-R	800164	40030812	TROS
40004240	FIAT	713039	400165	C-R	800165	400320	C-R
40004250	FIAT	713042	40018	SPG	471264	400321	C-R
40004270	FIAT	224025	400180	C-R	800180	400324	C-R
40004270	FIAT	713159	400181	C-R	800181	400325	C-R
40004280	FIAT	226480	400184	C-R	800184	40034	C-R
40004280	FIAT	713161	400185	C-R	800185	40034M1	C-R
40004280	FIAT	713162	40019	AMC	6356	40035	C-R
40004290	FIAT	227040	4001OS	JN-MN	472636!	400350	C-R
40004310	FIAT	713075	4002	C-R	55524	400351	C-R
40004320	FIAT	713043	400200	C-R	800200	400354	C-R
40004330	ALFAR	713004	400201	C-R	800201	400355	C-R
40004350	FIAT	713069	400204	C-R	800204	40036	C-R
400044	C-R	800044	400205	C-R	800205	40037	GEM
40004400	FIAT	713040	40021	C-R	416130!	40038	C-R
40004450	AUTOB	713022	400216	C-R	455655!	400380	C-R
40004460	FIAT	223035	400216M1	C-R	455655!	400381	C-R
40004620	FIAT	713067	400220	C-R	800220	400384	C-R
40004630	FIAT	713066	400221	C-R	800221	400385	C-R
40004670	FIAT	713029	400224	C-R	800224	40039LDS	JN-MN
4000467R91	IH	416404!	400224M1	C-R	416706!	4003CR	F-R-H
40004750	FIAT	713050	400225	C-R	800225	4003DBL	GW
40004760	FIAT	713038	400226	C-R	475384	4003DBL	GW
40004780	FIAT	713035	400226M1	C-R	475384	4003M1	C-R
40004810	AUTOB	713019	400228	C-R	416921!	4003T	C-R
40004840	FIAT	713036	400228K	CLARK	416921!	40040	C-R
40004870	FIAT	713053	400228M1	C-R	416921!	400400	C-R
40004880	FIAT	713062	40023	C-R	416130!	400401	C-R
400050	C-R	800050	40023	GEM	480630!	400404	C-R
400051	C-R	800051	40023	MACK	480630!	400405	C-R
4000527R91	IH	417351!	400230	C-R	416654!	40041	C-R
4000531R91	IH	476470!	400230M1	C-R	416654!	40041	JN-MN
4000531R91	IH	476470	400235	JEFF	473231	4004130	EUCLD
400054	C-R	800054	40024807	TROS	416706!	4004130	GMC
400055	C-R	800055	40024807C	TROS	416706	4004136	GMC
400060	C-R	800060	400250	C-R	800250	4004199	GMC
400061	C-R	800061	400251	C-R	800251	40042	C-R
400064	C-R	800064	400254	C-R	800254	40042LDS	JN-MN
400065	C-R	800065	400255	C-R	800255	40043	C-R
400070	C-R	800070	40025607.5	TROS	416921!	40043LDS	JN-MN
400071	C-R	800071	40025610	TROS	416921!	40044	C-R
400074	C-R	800074	40026004	TROS	43086S	4004496	GMC
400075	C-R	800075	40026007.5	TROS	416654!	40045	C-R
400080	C-R	800080	40026009.25	TROS	416654	400450	C-R
400081	C-R	800081	40026010	TROS	416654	400451	C-R
400084	C-R	800084	40027	SPG	471554	400454	C-R
400455	C-R	800455	4004652+600392	SPG	600392	4004653	CUMMI
4004652+600392	SPG	600392	400487	UNIVE	415187	400488	MICH
4004653	CUMMI	600394	40049	C-R	415036*	400499	UNIVE
400487	UNIVE	415187	400500	C-R	800500	4005	STEM
400488	MICH	415187	400500	MICH	415035	400500	MICH
40049	C-R	415036*	400500D	OLIVE	204007=	400501	C-R
400499	UNIVE	415035!	400501	C-R	800501	400504	C-R
4005	STEM	HU005A	400504	C-R	800504	400505	C-R
400500	C-R	800500	400505	C-R	800505	40051	C-R
400500	MICH	415035	400512	UNIVE	417356!	400512	UNIVE
400500	MICH	415035!	400512	UNIVE	455188	400512	UNIVE
400500D	OLIVE	204007=	400513	MICH	417356!	400513	MICH
400501	C-R	800501	400513	MICH	455188	40052	C-R
400504	C-R	800504	40052	C-R	415036	400525	MICH
400505	C-R	800505	400525	MICH	455192!	400525	SPG
40051	C-R	415036	40053	SPG	473213!	40053S	NATL
400512	UNIVE	417356!	40053S	NATL	473213!	40055	SPG
400512	UNIVE	455188	40055	SPG	43089S	400550	C-R
400513	MICH	417356!	400550	C-R	800550	400550	MICH
400513	MICH	455188	400550	UNIVE	415036*	400551	C-R
40052	C-R	415036	400551	C-R	800551	400554	C-R
400525	MICH	417357	400554	C-R	800554	400555	C-R
400525	MICH	455192!	400555	C-R	800555	400575	MICH
40053	SPG	473213!	400575	MICH	415041	400575	UNIVE
40053S	NATL	473213!	400575	UNIVE	415041*	40059	SPG
40055	SPG	43089S	40059	SPG	40059S	40060	GARLK
400550	C-R	800550	40059S	SPG	40059S	400600	C-R
400550	MICH	415036	40060	GARLK	471442!	400600	MICH
400551	C-R	800551	400600	C-R	800600	400600	UNIVE
400554	C-R	800554	400601	C-R	800601	400601	C-R
400555	C-R	800555	400604	C-R	800604	400604	C-R
400575	MICH	415041	400605	C-R	800605	400605	C-R
400575	UNIVE	415041*	40061S	SPG	6241S	400625	MICH
40059	SPG	40059S	400625	MICH	417223	4006253	EUCLD
40059S	TIMKE	40059S	4006253	GMC	417017=	4006253	GMC
40060	GARLK	471442!	4006255	EUCLD	417607	4006255	EUCLD
400600	C-R	800600	4006255	GMC	417607	4006255	GMC
400600	MICH	417509	4006256	GMC	JV1808=	4006256	GMC
400600	UNIVE	417509	4006257	EUCLD	417115	4006257	EUCLD
400601	C-R	800601	4006257	GMC	417115	4006258	GMC
400604	C-R	800604	4006258	GMC	JV1759=	4006259	EUCLD
400605	C-R	800605	4006259	EUCLD	417016	4006259	GMC
40061S	SPG	6241S	4006260	GMC	JV1760=	4006260	GMC
400625	MICH	417223	4006261	GMC	417018=	4006261	GMC
4006253	EUCLD	417017=	4006263	EUCLD	416951	4006263	EUCLD
4006253	GMC	417017=	4006263	GMC	416951	4006264	GMC
4006255	EUCLD	417607	4006264	GMC	JV1850=	40063	SPG
4006255	GMC	417607	40063	SPG	7886S	40063S	TIMKE
4006256	GMC	JV1808=	40063S	TIMKE	40063S	40064	SPG
4006257	EUCLD	417115	40064	SPG	471821!	40064S	NATL
4006257	GMC	417115	400650	C-R	800650	400650	C-R
4006258	GMC	JV1759=	400651	C-R	800651	400651	C-R
4006259	EUCLD	417016	400654	C-R	800654	400655	C-R
4006259	GMC	417114=	400655	C-R	800655	400659	C-R
4006260	GMC	JV1760=	400659	C-R	710045	400667	RACIN
4006261	GMC	417018=	400667	RACIN	450188	40067	TROS
4006263	EUCLD	416951	40067	TROS	40067S=	4006B	JN-MN
4006263	GMC	416951	4006B	JN-MN	416476!		

! Industrial Size/Type * Minor Width Difference = Call 1-800-480-1212 for price and delivery.

NUMERICAL

Zero Duplication or Recommended Industrial		Zero Duplication or Recommended Industrial		Zero Duplication or Recommended Industrial		Zero Duplication or Recommended Industrial		
Mfr. No.	Name	Mfr. No.	Name	Mfr. No.	Name	Mfr. No.	Name	
4007	STEM	HU007A	40098 TROS	473464	401101 C-R	801101	401450R91 IH	450096H=
40070	SPG	472185!	400A228 C-R	416921!*	4011035 WOOL	55301S	401451R91 IH	450096H=
400700	C-R	800700	400A3 C-R	415995!	401104 C-R	801104	401452R91 IH	472185=
400701	C-R	800701	400AM3 C-R	415995!	401105 C-R	801105	401453R91 IH	472185=
400704	C-R	800704	400AMM3 C-R	415995!	40111 C-R	415041	40146 C-R	370023A
400705	C-R	800705	400B224 C-R	416706*	40115616 TROS	6127	40146 C-R	370036A
40071	SPG	40071S	400B228 C-R	416921!*	40117 SPG	42421S	40146 C-R	370349A
40071S	TIMKE	40071S	400B3 C-R	415995	401179 ALLCH	472016	40146 C-R	380036A
40072	C-R	415036	400B3 C-R	415995!	401180 ALLCH	417134	401468 CONTI	471442!
40072	GARLK	471526!	400BM228 C-R	416921!*	40119 SPG	240119	401469 CONTI	471538!
40075	MASTE	340413	400BM3 C-R	415995	4011CG-13 IH	473228!	40147 C-R	370036A
40075	TROS	450073	400BM3 C-R	415995!	40120 C-R	415041*	40147 C-R	380023A
400750	C-R	800750	400C3 C-R	415995	40120 NATL	471224	401470 CONTI	471267!
400751	C-R	800751	400C3 C-R	415995!	401200 C-R	801200	401471 CONTI	471652
4007535	GMC	JV1127=	400C3 GWI	415995!	401201 C-R	801201	401472 ALLCH	450173
400754	C-R	800754	400C3 GWI	415995!	401204 C-R	801204	401472 CONTI	450173
400755	C-R	800755	400CMM3 C-R	415995	401205 C-R	801205	401500 C-R	801500
40077	C-R	417507	400CMM3 C-R	415995!	401218C91 IH	472015!	401501 C-R	801501
40078	C-R	417507	400D550 CONE	5170	401218C92 IH	472015	401502 C-R	801502
4007B	JN-MN	418028	400F224 C-R	416706!	401219C91 IH	415379	401504 C-R	801504
4007B	JN-MN	455137!	400F3 C-R	415995!	401219C92 IH	3893V!	401505 C-R	801505
4007B391	WGEAR	450536	400FF3 C-R	45013S	401219C92 IH	415379!	401506 C-R	801506
4007B391	WGEAR	471535!	400G228 C-R	43086S	40129 C-R	370036A	40151 AMC	450084!
40080	C-R	417507	400G3 C-R	45013S	40129 C-R	370349A	40154 SPG	40154S
40080	C-R	417507!	400HD3 C-R	45013S	40129 C-R	380036A	40154S TIMKE	40154S
400800	C-R	800800	400M3-L C-R	415995!	4012X SPG	4012	4015601 EUCLD	415035
400801	C-R	800801	400N230 C-R	416654	40130 C-R	370036A >	4015602 EUCLD	416865
400804	C-R	800804	400W22-M1 C-R	416921!	40130 C-R	370349A %	40157 SPG	471760
4008049	ALLCH	J1929	400W226 C-R	475384*	40130 C-R	380036A	40157S TIMKE	471760
400805	C-R	800805	400W228 C-R	416921!	401300 C-R	801300	40158 C-R	417223
40081	GARLK	471472!	400W230 C-R	416654!	401301 C-R	801301	40160 C-R	417223
40082	C-R	417507	400W230-M1 C-R	416654!	401304 C-R	801304	40160 SPG	471763
40082	C-R	417507!	400W230-T8 C-R	416654!	401305 C-R	801305	401600 C-R	801600
40084	AMC	450040	400W3 C-R	415995!	40132SA SPG	412920	401601 C-R	801601
40084	C-R	417507	400W3-M1 C-R	415995!	40133 AMC	473215!	401602 C-R	801602
40084	C-R	417507!	400W500 CONE	5526	40133 C-R	370036A >	401604 C-R	801604
400842R91	IH	410737!	401000 C-R	801000	40133 C-R	370349A %	401605 C-R	801605
40085	C-R	417507	40100050 IVECO	713104	40133 C-R	380036A >	401606 C-R	801606
40085	SPG	40085S	401001 C-R	801001	40134 C-R	370036A >	40160S TIMKE	471763
400850	C-R	800850	40100110 IVECO	713091	40134 C-R	370349A %	40161 C-R	417223
400851	C-R	800851	40100140 IVECO	713128	40134 C-R	380036A >	40162 SPG	471765
400854	C-R	800854	40100350 FIAT	713046	4013493 WABCO	456799=	40162C29 IH	450084!
400855	C-R	800855	401004 C-R	801004	40135 C-R	370036A >	40162S TIMKE	471765
400855C91	IH	370007A	40100460 IVECO	713089	40135 C-R	370349A %	40163 SPG	471766
40085S	TIMKE	40085S	40100480 IVECO	713135	40135 C-R	380036A >	40166 GMC	416654!
40086	C-R	417507	401005 C-R	801005	40136 C-R	370036A >	40166 TROS	224045
40088	C-R	417507	40100670 IVECO	713111	40136 C-R	370349A %	40166 TROS	40X62X12!
40089	C-R	417507=	40100790 IVECO	713116	40136 C-R	380036A >	40169 SPG	40169S
4008999	GWI	472439	40101 C-R	415041	40136 OLIVE	415001!	40169S TIMKE	40169S
4008BX	SPG	1012	40101 SPG	40101S	40138 C-R	417509	401700 C-R	801700
4008BX	SPG	1012N	40101340 IVECO	713095	40139 C-R	370036A >	401701 C-R	801701
4008BX	SPG	45X62X8!	40101620 IVECO	713142	40139 C-R	370349A %	401702 C-R	801702
400900	C-R	800900	40101730 IVECO	713113	40139 C-R	380023A	401704 C-R	801704
400901	C-R	800901	40101S TIMKE	40101S	40139 C-R	380036A >	401705 C-R	801705
400904	C-R	800904	401024 GMC	5109	4014 STEM	HU014A	401706 C-R	801706
400905	C-R	800905	401026 GMC	5123	40140 C-R	417509	40175 AMC	473367
40091	C-R	370065A	40103 TROS	6064	40140 SPG	471413	40175 AMC	473367!
40091	C-R	370349A	4010470 IVECO	713141	401400 C-R	801400	401774 WAYNE	413247!
40091	C-R	380036A	4010490 IVECO	713138	401401 C-R	801401	401775 WAYNE	416654!
40092	C-R	415041	40107 IRON	471270!	401402 C-R	801402	401783 JEFF	415449!
400927	CONTI	417191	4010784 GWI	417501	401404 C-R	801404	401800 C-R	801800
400927	CONTI	455165!	40108 C-R	415041	401405 C-R	801405	401801 C-R	801801
400929	WAYNE	473467!	40108 IRON	474254	401406 C-R	801406	401802 C-R	801802
40094	SPG	40094S	40108 SPICE	3543	40140S TIMKE	471413	401804 C-R	801804
40094S	TIMKE	40094S	40108-1 SPICE	3543	40141 C-R	417509	401805 C-R	801805
400950	C-R	800950	40108-2 SPICE	3543	40141 NATL	470954	401806 C-R	801806
400951	C-R	800951	40109 SPICE	330385	401418D OLIVE	472560N	4018068 GMC	415379
400954	C-R	800954	40109-3 SPICE	340835	401418E OLIVE	472560N	4018069 GMC	412473!
400955	C-R	800955	4010900 FIAT	222860	401418E WHITE	472560N	4018377 GMC	415227!
400966D	OLIVE	254270	4010900 FIAT	28X47X7!	401440D OLIVE	6590S	40184 NATL	471571
40097	SPG	40097S	40110 C-R	415041	401440E MINNM	6590S	40185 TIMKE	40185
40098	TROS	473464!	401100 C-R	801100	401440E OLIVE	205009=	401872R91 IH	295113=

! Industrial Size/Type * Minor Width Difference > Hub Mount % Spindle Mount = Call 1-800-480-1212 for price and delivery.

Zero Duplication or Recommended		Zero Duplication or Recommended		Zero Duplication or Recommended		Zero Duplication or Recommended		
Mfr. No.	Name	Mfr. No.	Name	Mfr. No.	Name	Mfr. No.	Name	
4019	STEM	HU019A	4026706 ALLCH	J1081	40389 SPG	40389S	4048B JN-MN	416666
401900	C-R	801900	402726 ALLCH	411253!	403899 GMC	8705S	4049266 CHRYS	5650
401901	C-R	801901	402750 C-R	802750	40389S TIMKE	40389S	40492SA TRSCM	345035
401902	C-R	801902	402752 C-R	802752	4038RBR SPG	712375	40492SA TRSCM	415035
401904	C-R	801904	402754 C-R	802754	40392 TIMKE	40392	40492SA TRSCM	475845!
401905	C-R	801905	402756 C-R	802756	40395 TIMKE	472354	40494 SPG	40494S
401905R91	IH	417509	40285 SPICE	6358	40395S NATL	472354	404941 O-M	471737
401906	C-R	801906	402856R91 IH	416125!	40395S TIMKE	472354	40494S TIMKE	40494S
40191	SPICE	473814	40286 TIMKE	40286	40398 SPG	471267!	40494TA TRSCM	415035!
40191	VIC	473814	4028862 ALLCH	7568	403VB7 MARI	415035!	404VB7 MARI	415036
401914R91	IH	412943	4028922 ALLCH	7568	403VB7 MARI	415035	405000 C-R	805000
4019164	EUCLD	9555S	4028992 ALLCH	J1828=	404 UNIVE	416891!*	405002 C-R	805002
401918	GMC	9762S	4028OS JN-MN	415984!	40400 GMC	470088	405003 C-R	805003
401990	C-R	801990	4029399 ALLCH	417360	40400 NATL	42352S	405004 C-R	805004
401991	C-R	801991	4029502 ALLCH	417360	40400 SPICE	8312	405008XX TIMKE	40X50X8
401994	C-R	801994	4029556 ALLCH	J1828=	404000 C-R	804000	4050229 ALLCH	470088
401995	C-R	801995	402Y128 C-R	6127	404002 C-R	804002	4050298 ALLCH	410694!
4019N	TIMKE	4019N	403000 C-R	803000	404004 C-R	804004	4050B JN-MN	473225!*
401D2	WHITE	417134	403002 C-R	803002	404006 C-R	804006	4050D GOODM	416865!
401HH101	DANA	4624N	403004 C-R	803004	40401 TIMKE	40401	4050LPD JN-MN	473225!
401HH101	DANA	4624V	403006 C-R	803006	40402 NATL	42763	4051 NATL	5697
401HH102	DANA	710008	40301 SPG	40301S	40402 WMG	42763	405103 C-R	805103
401HH103	DANA	4624V	40301S TIMKE	40301S	40403 DANA	710065	40519 SPG	442380
402000	C-R	802000	40301XAR SPG	40301S	40403 SPICE	710065	4051B JN-MN	415090*
4020015	ALLCH	416888	40301XXR SPG	40301S	404031 SPICE	710065	40520 SPG	40520S
402002	C-R	802002	40302 TROS	450274	40408 ALLCH	470530!	405203 C-R	805203
402004	C-R	802004	403066R91 IH	335924N	4040H20 JA-MI	416288!	405207XX TIMKE	40X52X7
402006	C-R	802006	4030B JN-MN	471192	4040H20 JAE	416288!	40520S TIMKE	40520S
40201	GARLK	471466!	4031 STEM	HU031A	4040N TIMKE	4040N	405225 H-S	43086S
40201	TROS	414045!	40316 SPG	40316S	40410 SPG	40410S	40522S TIMKE	40522S
40202	CUSH	471571	40316S TIMKE	40316S	40410S TIMKE	40410S	4052468 FIAT	224220
40202C	CUSH	471571	4032450 CHRYS	4250	404116 GMC	8705S	4052468 FIAT	42X56X7!
40208	TIMKE	40208	403250 C-R	803250	40416 NATL	351487	4052468 FIAT	494117
40210	C-R	370023A	403252 C-R	803252	40420 ALLCH	415001!	40524SA TRSCM	455192!
40210+77801	C-R	370023A	403254 C-R	803254	40427 GARLK	470954!	405285 JEFF	417600
40213	GARLK	471264!	403256 C-R	803256	404294 GMC	2043	405297 JEFF	472492!
40217	SPG	471647	403284 GMC	9762S	40433S TIMKE	40433S	4052D GOODM	417541
40218	AMC	481864	4033 EATON	415988	40434Q6 C-R	6754S=	40530 C-R	55193*=
402200	C-R	802200	403307 GMC	9912	40435 SPG	24043S	405303 C-R	805303
402202	C-R	802202	40330807 TROS	6754S=	40438 SPG	40438S	405366C91 IH	417487
402204	C-R	802204	4033261 ALLCH	416865!	40438S TIMKE	40438S	405366C91 IH	417487!
402206	C-R	802206	40337 SPG	40337S	4043977 ALLCH	415035!	405367C91 IH	417484!
4022497	CUMMI	5741	40337S TIMKE	40337S	4043977 ALLCH	415035	405368C91 IH	415960
40225	C-R	102X125X12	40350 C-R	455037	40439770 ALLCH	415035	4053B JN-MN	417344!
40225	GARLK	471255!	403500 C-R	803500	40439770 ALLCH	415035!	40540 C-R	55193*=
40230	SPG	471689	403502 C-R	803502	4044 STEM	HU044A	405403 C-R	805403
40230S	TIMKE	471689	403504 C-R	803504	40440 VIC	5MR1300	405406XX TIMKE	40X54X6
40236	ALLCH	415196!	403506 C-R	803506	40446 GARLK	471554!	4054B JN-MN	417181!*
40237	GARLK	471564	40351 SPG	43071S	404489R91 IH	415025	405500 C-R	805500
40244	SPG	471787	4035756 EUCLD	417608	404499 UNIVE	455134!*	405502 C-R	805502
40245	C-R	102X130X13	4035756 GWI	417608	404500 C-R	804500	405503 C-R	805503
4024561	ALLCH	473239	4035RBR SPG	712937	404502 C-R	804502	405504 C-R	805504
4024562	ALLCH	456641	40360 C-R	6864S	404503 C-R	804503	405506XX TIMKE	40X55X6
402477	JEFF	472397!	40360 SPG	40360S!	404504 C-R	804504	405508XX TIMKE	40X55X8
40248	C-R	102X130X13!	4036046 ALLCH	417360	404506 C-R	804506	4055358 FIAT	1077=
402480	JEFF	415035!	40360S TIMKE	40360S	404525 MICH	415142*	4055358 FIAT	223535
402480	JEFF	415035	403689 WHITE	473473	404525 UNIVE	415142*	40554 SPICE	4244
4024B	JN-MN	415482	40369 SPG	40369S	404550 MICH	417512	40555 TIMKE	40555
402500	C-R	802500	403692D OLIVE	204002	404550 UNIVE	417512*	40555S NATL	40555
402502	C-R	802502	4036RBR SPG	722250	404575 MICH	415043	40555S TIMKE	40555S
402504	C-R	802504	40370 SPG	40370S	404575 UNIVE	415043*	40556 SPG	471821!
402506	C-R	802506	40370S TIMKE	40370S	40458 GARLK	471567!	40558S SPG	240435
402525	MICH	55193*=	40375 TIMKE	40375	4045D SHEP	411253!	40560 TROS	1163=
402525	UNIVE	55193*=	403750 C-R	803750	404600 MICH	455203	405603 C-R	805603
402550	MICH	455037	403752 C-R	803752	404600 UNIVE	455203	405607XX TIMKE	40X56X7
402550	UNIVE	455037*	403754 C-R	803754	404625 MICH	455056	405610XX TIMKE	40X56X10
402575	MICH	455024	403756 C-R	803756	404625 UNIVE	455056*	40564SA TRSCM	417507!
40259	GEM	450593!	40379300 FIAT	713073	40463-4-1X SPICE	39930	40566 NATL	40566S
40260	TROS	1012	4037B JN-MN	417541*	40463-6-1X SPICE	39920	40566 TROS	40566S
40260	TROS	1012N	4037RBR SPG	712625	404631 SPICE	330749V	40566 WMG	40566S
40263	TROS	415437	40382 TIMKE	474276	40468 TIMKE	40468	405661 ALLCH	416706
40267	MANT	416229	40385S NATL	330385!	40488 GARLK	471643!	40566S TIMKE	40566S

! Industrial Size/Type * Minor Width Difference = Call 1-800-480-1212 for price and delivery.

NUMERICAL

Zero Duplication or Recommended Industrial		Zero Duplication or Recommended Industrial		Zero Duplication or Recommended Industrial		Zero Duplication or Recommended Industrial	
Mfr. No.	Name	Mfr. No.	Name	Mfr. No.	Name	Mfr. No.	Name
40568	SPG	40568S	TIMKE	40773	SPICE	409500	C-R
40568S	TIMKE	40568S	MICH	407760	EATON	409503	C-R
40570	SPICE	710204	UNIVE	406550	UNIVE	40950S	JN-MN
4057006	CHRYSS	3173	MICH	406575	MICH	40965	HYST
4057006	CHRYSS	710928	UNIVE	406575	UNIVE	40965	HYST
405703	C-R	805703	CASE	40658	CASE	4097	STEM
405710XX	TIMKE	40X57X10	CASE	40659	CASE	409704	WHITE
40576	SPG	40576S	JN-MN	4065B	JN-MN	40973	SPG
40576S	TIMKE	40576S	MICH	406600	MICH	40973S	TIMKE
4057B4	WGEAR	471651	UNIVE	406600	UNIVE	4097B	JN-MN
4057B5	WGEAR	416664!	MICH	406625	MICH	4097B	JN-MN
405803	C-R	805803	UNIVE	406625	UNIVE	4098B	JN-MN
4058047	CHRYSS	2506	406651R91	IH	470625!	4099	TIMKE
405808XX	TIMKE	40X58X8	406660	US-EL	471466	409910	CATER
405810XX	TIMKE	40X58X10	406748	GMC	225230	4099C	SUL
40590	C-R	455037	406748	GMC	52X72X8!	409VB7	MARI
405903	C-R	805903	406752	GMC	224520	40X50X8AN(35)	ISP
405VB7	MARI	416891!	406752	GMC	45X60X10!	40X52X7SC	TRSCM
40600	CASE	473214	40678	GARLK	471267!	40X52X7SC	TRSCM
406000	C-R	806000	406808XX	TIMKE	40X68X8	40X52X7TC	TRSCM
406002	C-R	806002	406812A	HARWA	40X68X12	40X54X55TB	TRSCM
406003	C-R	806003	406812XX	TIMKE	40X68X12	40X54X6SC	TRSCM
406003	US-EL	481537	40684	SPICE	8314	40X54X6TC	TRSCM
406004	C-R	806004	40684-1	SPICE	8314	40X55X6SC	TRSCM
40601	CASE	417486	40687	GARLK	471507!	40X55X6TC	TRSCM
406010XX	TIMKE	40X60X10	406898	EATON	416865	40X55X7	NATL
40602	CASE	471795	4068B	JN-MN	416892!	40X55X7	NATL
40603	CASE	473228	406902R91	IH	471341!	40X55X7	NATL
40604DM	IH	417196!	406903	C-R	806903	40X55X8	TRSCM
40607	CASE	471795	40699A	C-R	6846S=	40X55X8SC	TRSCM
406078	GMC	9912	4069B	JN-MN	471272!	40X55X8TC	TRSCM
406085	BUC-E	412871!	406VB7	MARI	415045!	40X56X10TC	TRSCM
406089	GMC	8940S	406W550	CONE	5170	40X56X10TC	TRSCM
40610	CASE	415991	406W600	CONE	5537	40X56X7ASN	ISP
40610	CASE	415991!	407000	C-R	807000	40X57X10SC	TRSCM
406103	C-R	806103	407003	C-R	807003	40X57X10TC	TRSCM
40613	CASE	471466!	407008XX	TIMKE	40X70X8	40X58X10	NATL
40614	CASE	471689!	40701	TROS	5419	40X58X10	NATL
40615	CASE	471424!	407011	BUC-E	474278!	40X58X10	NATL
40616	CASE	472299	407039	FALKC	415991	40X58X10SC	TRSCM
40619	CASE	470898	407039	FALKC	455146!	40X58X10TC	TRSCM
4061919	ALLCH	472164!	407071	BUC-E	450400	40X58X8AN	ISP
406203	C-R	806203	40709	SPICE	4250	40X60X10SC	TRSCM
406207XX	TIMKE	40X62X7	4070B	JN-MN	81808	40X60X10TC	TRSCM
406208XX	TIMKE	40X62X8	4070B	JN-MN	455137!	40X60X9	ISP
406212XX	TIMKE	40X62X12	40710	SPICE	710043	40X62X11	NATL
40622	CASE	455151	40712	DANA	722109	40X62X12SC	TRSCM
40627	SPG	40627S=	407135	CATER	417211!	40X62X12TC	TRSCM
406279	CATER	471689!	407136	CATER	415991	40X62X7AN(35)	ISP
406295R2	IH	JV1673=	407136	CATER	455146!	40X65X10SC	TRSCM
40629S	SPG	481537	40715	GARLK	471646!	40X65X10TC	TRSCM
406303	C-R	806303	4071B	JN-MN	473245!	40X6649	CHRYSS
40633	AMC	471141	4072	TIMKE	4072	4087B	JN-MN
40633	CASE	471141	407207A	HARWA	40X72X7	40880D	IH
40634	CASE	471835!	407207XX	TIMKE	40X72X7	408900	RACIN
40635	CASE	415498	407250	C-R	807250	4089297	CHRYSS
40635	HYST	415498	407288	BUC-E	412040	408A15204.5	TROS
40635	VIC	9613S	4072N	TIMKE	4072N	408VB7	MARI
40637	CASE	470954!	40730	GARLK	470590	409000	C-R
40638	CASE	473229	407407	BUC-E	471341!	409003	C-R
40639	CASE	473228	4075	STEM	H075	409008XX	TIMKE
40640	CASE	417344!	407500	C-R	807500	409145	WHITE
406403	C-R	806403	407503	C-R	807503	409145	WHITE
40641	CASE	416865!	407543	ALLCH	472164!	40920	TROS
40642	CASE	471224!	407544	ALLCH	40494S	409208	GMC
40646	CASE	200110	4075HG	SPG	714075	409208	GMC
406464	CATER	473196=	40760	TROS	226020	40922	TROS
406500	C-R	806500	40760	TROS	60X80X8!	409235	GMC
406503	C-R	806503	407636700	REINZ	25598	4093S	SPG
406510XX	TIMKE	40X65X10	40769	SPG	40769S	409456	BENDI
406525	MICH	455194*	40769S	TIMKE	40769S	4094810	CHRYSS
406525	UNIVE	455194*	40771S	NATL	340771	4094829	CHRYSS

! Industrial Size/Type * Minor Width Difference = Call 1-800-480-1212 for price and delivery.

Zero Duplication or Recommended		Zero Duplication or Recommended		Zero Duplication or Recommended		Zero Duplication or Recommended		
Mfr. No.	Name	Mfr. No.	Name	Mfr. No.	Name	Mfr. No.	Name	
410003	C-R	810003	410310 SPG	473242	410755 SPG	473230!	411394 NATL	411394
410005	SPG	471526!	410312 SPG	472016!	410755S TIMKE	410755S	411394 TIMKE	411394
410027	NATL	471554!	410312L C-R	415442	41079 HYST	470954!	4113B JN-MN	471762!
41004	GARLK	471224!	410312L C-R	55442	410791VGR SPG	471466	4113S SPG	710800
41004	TROS	330385!	410312N TIMKE	472016	4107B JN-MN	416921!	411414 SPG	412473!
410040	SPG	450040	410312N WMG	472016	410825 TIMKE	410825	4114S SPG	710925
410049	NATL	471750!	410314 SPG	473243	4108542 FIAT	2000	41150 C-R	455134!
410055	SPG	473215!	410316 TIMKE	472636	4108542 FIAT	224235	411500 C-R	811500
410059	NATL	470059	410316N TIMKE	472636	4108542 FIAT	42X58X7!	411500 TIMKE	411500
410059	TIMKE	410059	410322 SPG	412040	410855 TW-CO	470625!	411501315 VW	1969
410060V	C-R	452222	410330 SPG	470605!	410857 TW-CO	40468	411501315 VW	48X63X9!
410066	NATL	473367	41035 SPICE	455194	410867 SPG	470898	411509RA SPG	411509N*
410066	SPG	473367	410350 SPG	413247!	410867N TIMKE	470898	41151 C-R	455134!
410067	SPG	473228!	41035000470837 MACK 120X140X13!		410895 SPG	471554!	41152 C-R	5526
410069	SPG	473232!	41035000470837 MACK	717004	410972N TIMKE	413470	41155 C-R	455134!
410070	SPG	472185!	410352 NATL	472164!	410987 NATL	410987	41156 C-R	455134!
410071	NATL	472439	410358 NATL	473231!	410987 NATL	450686	411627-02-BD RELEE	471272!
410076	NATL	470334!	410359 SPG	473448	410987 TIMKE	410987	411627-02-BH RELEE	471138!
41008	TROS	1110	410360 SPG	471870!	410989 NATL	470989	411627-02-CA RELEE	415559
410082	SPG	473238!	410365 SPG	470898	410989SSR BRWNG	470989	411627-02-CF RELEE	415138=
410083	NATL	472924!	410389 SPG	472492!	4109B JN-MN	417349	411627-02-CJ RELEE	416865!
410083	WMG	472924!	410394 SPG	473227!	410AM3 C-R	417351!	411627-02-DE RELEE	473228!
410085	TIMKE	470530	4103B JN-MN	455584	410VB7 MARI	415066	41162702BJ RELEE	415995!
410085N	TIMKE	470530	410410 NATL	471424!	411000 C-R	811000	41162702CE RELEE	416888!
410095	SPG	473464	410424 SPG	471730	411003 C-R	811003	41162702CE RELEE	475200
410099	NATL	411253!	410433 NATL	471138!	411035 WOOL	415072	41162702CL RELEE	416107!
4100B	JN-MN	415142*	410438 SPG	472299	4110CAR SPG	5123	41162702CL RELEE	475638
410101	NATL	412119!	410441 NATL	471341!	411100 SPG	471652	41162702CR RELEE	416664!
410101N	TIMKE	412119	41048 GARLK	471733	4111035 WOOL	415447	41162702CX RELEE	470898
410101SS0	SPG	412119	410496 NATL	410496	4111171 FIAT	2000	4116366 CHRY	5131
410102	NATL	410102	410496 TIMKE	410496	4111171 FIAT	224235	4116366AB CHRY	5131
410102	TIMKE	410102	4104B JN-MN	4811631!*	4111171 FIAT	42X58X7!	411637 TIMKE	411637
410115	SPG	473467	410500 C-R	810500	41113 GARLK	471652	411656 SPG	471643!
410119	NATL	471442	410519 TIMKE	471271	411138 SPG	471138!	411659 SPG	471646!
410119	TIMKE	471442	410520 TIMKE	471272	411143N TIMKE	451143	4116806 FIAT	226480
410120	NATL	471224!	410520X54 SPG	471272	411160V TIMKE	411160V	411698 SPG	471684!
41013	SPG	41013S	410522 SPG	472258!	41117 GARLK	471692!	41170 C-R	417511*
410132	NATL	412920!	410524 TIMKE	410524	4111S SPG	711200	411706 SPG	471692!
410136	NATL	470625!	410530 SPG	470530!	4112001 CHRY	9316	411708 SPG	473203
41013S	TIMKE	41013S	410537 NATL	5711	411234N SPG	473473	41180 C-R	471511
410141	NATL	470954	410537SSR SPG	5711	411245 NATL	411245	41185 C-R	415142*
410153	SPG	472287!	4105388 CHRY	3655	411245 TIMKE	411245	4118B JN-MN	417603!
410154	NATL	473234!	4105389 CHRY	3655	411246 NATL	471737	41190D IH	471224!
410160	SPG	471763	4105395 CHRY	3655	41125 C-R	455134!	411944 NATL	472924
410163	NATL	471766	4105396 CHRY	4040N	411251 TW-CO	412119	411949 SPG	473204
410163	TIMKE	471766	4105397 CHRY	713655	411252 TW-CO	473231!	41195 C-R	415142*
410165	SPG	471801!	410543 SPG	474272	411253 NATL	411253	41195YA AVCO	240470
410169	SPG	473214!	410550 MICH	455197N	411253 TIMKE	411253	41198 C-R	415142*
410183	SPG	472179	410550 UNIVE	455197N*	41126 C-R	455134* =	411A30805 TROS	8976S
410183N	TIMKE	472179	410552 NATL	470565!	41126702CA RELEE	415559	411EM38 C-R	455566
410190	TIMKE	410190	410553 NATL	471224	411271 SPG	471271!	411VB7 MARI	416167!
410194	SPG	473010!	410554S NATL	40154S	411272 SPG	471272!	412 UNIVE	417247!
410194VGR	SPG	473010	410565 SPG	470565!	411275 TIMKE	476470	412000 C-R	812000
4101BG	SPG	5109	410574 SPG	413246	411275 WMG	476470!	412003 C-R	812003
41020	GARLK	471649!	410575 MICH	417520	411275 WMG	476470	412015V TIMKE	472015
410219	SPG	471649!	410575 UNIVE	417520*	411275R PAARS	476470!	412018 SPG	472018
410230	NATL	471689!	410600 MICH	416144	41128 GARLK	470712!	412020 SPG	472020
410236	SPG	470712!	410600 UNIVE	416144	4112S SPG	711000	412027 TIMKE	412027
410241	SPG	471785!	410603 C-R	810603	41130 C-R	455134!	412028 TIMKE	412028
410244	SPG	471787!	410605 SPG	470605!	41130SA SPG	441130	412028SSR SPG	412028
410261	SPG	473466	410614 SPG	472636!	411324 SPG	471255!	412038N TIMKE	413246
410265	SPG	473235!	410625 MICH	417238	411330 TIMKE	411330	412040 TIMKE	412040
41026S	TIMKE	41026S	410680 SPG	471570!	411330N NATL	411330	412065 WHITE	410694!
41028	GARLK	471689!	410686N TIMKE	410686N	411330N TIMKE	411330	412066 WHITE	416921!
410298	WMG	473239!	410694 NATL	410694	411330SSR SPG	411330!	412119 NATL	412119
4103-5000-545227	MACK	717005	410694 TIMKE	410694	411336 WHITE	472164!	412119 TIMKE	412119
410301	SPG	472397!	410708 TIMKE	410708	411336A WHITE	472164!	412178 CATER	471652
410303	SPG	472015!	410719 SPG	471984	411337 NATL	471337	412179 CATER	472258!
410308	NATL	410308	410737 NATL	410737!	411348 TIMKE	411348	412180 CATER	471612
410308	NATL	473468	410737 TIMKE	410737	411376 NATL	411376=	412181 CATER	472649
410308	TIMKE	410308	41075 SPG	41075S	411376 TIMKE	411376	412187 CATER	472164!
410309	SPG	471391!	410752 TIMKE	410752	41138 GARLK	471763	4122 TIMKE	4122

! Industrial Size/Type * Minor Width Difference = Call 1-800-480-1212 for price and delivery.

Zero Duplication or Recommended Industrial		Zero Duplication or Recommended Industrial		Zero Duplication or Recommended Industrial		Zero Duplication or Recommended Industrial		
Mfr. No.	Name	Mfr. No.	Name	Mfr. No.	Name	Mfr. No.	Name	
41220	SPICE	473227	412G316 C-R	45525S	413818 TIMKE	413818	414692 WHITE	412473!
41220	VIC	473227!	412HD316 C-R	45525S	41389S TIMKE	470954	41470 C-R	105X145X12
412217	SPG	410059	412K1 WHITE	450400	4138B JN-MN	471532*	41472 GARLK	470380!
412217	SPG	470380!	412RC SUL	471567!	4139B JN-MN	473471*	41475 C-R	105X160X15
412230	C-R	417486	412VB7 MARI	417357	413VB7 MARI	415196!	4148 TIMKE	4148
412230M1	C-R	417486	412VB7 MARI	455192!	413W126-L C-R	6930*	41484 VICK	6465
41224	GARLK	471413!	412W126-L C-R	6930*	414 UNIVE	417267	414858 WHITE	472287!
41224S	TIMKE	471224	412W228 C-R	417134	414000 C-R	814000	4148B JN-MN	411253!
41224S	WMG	471224	412W228M1 C-R	417134	414003 C-R	814003	4148BJO SPG	4148
41228	C-R	417134	412W230 C-R	417486	41401 C-R	231052	41492 GARLK	473228!
4122B	JN-MN	415085!	412W230-M1 C-R	417486*	41403 CHRYS	473450!	41494SA TRSCM	455134!
4122B	JN-MN	456648	412W3 C-R	417351!	414045 TIMKE	414045	41498 WHITE	472287!
4123	C-R	417351!	412W3-M1 C-R	417351!	414072 SPG	226285	41498 GARLK	473228!
4123	MINMA	417351!	412W310 C-R	455500	414072 SPG	62X85X8!	4149B JN-MN	471224!
412310	C-R	455500*	412W312 C-R	415442	414072SC SPG	226285	414M228-L C-R	417134
41232	C-R	55155=	412W312 C-R	55442	41408924 NOK	110X150X12!	414VB7 MARI	416888!
41232	GARLK	471737	412W32 C-R	55155=	41408924 NOK	110X150X15	414W228-M1 C-R	417134*
41234	C-R	417621!	412W34 C-R	417621!	4140B JN-MN	471413!*	415000 C-R	815000
41234M1	C-R	417621!	412W34-M1 C-R	417621!	4141 TIMKE	4141	415001 NATL	415001
41238	C-R	455566	413000 C-R	813000	41410 C-R	105X125X13	415001 TIMKE	415001
41238M1	C-R	455566	413003 C-R	813003	41413S NATL	471413	415001N TIMKE	415001
4123M1	C-R	417351!	41305 C-R	455203*	41413S SPG	471413	415003 C-R	815003
41240	C-R	415142*	41306 C-R	455203	41425 C-R	105X130X12!	415003 TIMKE	415458
41240	TROS	6077	41308 AVCO	472311!	41425 C-R	231053	415004 TIMKE	417316
41241	TROS	455536	4130B JN-MN	470334!	41426 C-R	105X130X12V!	415004V TIMKE	417316
41246	GARLK	471766!	4131 TIMKE	4131	41426 C-R	712004	415006 NATL	417344!
412473	NATL	412473	41315 MALL	350974!	414268 NATL	414268=	415007 TIMKE	415007
412473	TIMKE	412473	4131CAR SPG	4131	414268 TIMKE	414268	415009 TIMKE	415960
412500	C-R	812500	413244 SPG	473244!	4143 TIMKE	4143	415009N TIMKE	415960
41255	C-R	415142*	413245 SPG	473245!	41430 C-R	105X130X12!	415011 NATL	416921!
412550	MICH	415196!	413246 TIMKE	413246	41432 OLIVE	415001!	415012V TIMKE	416654
412550	UNIVE	415196!*	413246N NATL	413246!	41433 C-R	105X135X12	415012VGR SPG	416654!
41257	NATL	3677	413246N TIMKE	413246	41436D IH	417211!	415013 TIMKE	415995
41257	TIMKE	41257	413247 NATL	413247=	4143D5 WHITE	416500	415013N TIMKE	415995
412575	MICH	415047	413247 TIMKE	413247	41440 C-R	105X135X12!	415016N TIMKE	416288
412575	UNIVE	415047*	413248 NATL	413248	41442S TIMKE	471442	415018 SPG	476470!
412600	MICH	416149	413248 NATL	413248=	41443 C-R	105X135X12!*	415018 SPG	476470
412600	UNIVE	416149	413248 TIMKE	413248	414467-C91 IH	370037A	415021 TIMKE	415021
41262	GARLK	471795	41325 C-R	455056	414467-C91 IH	370338A	415023 TIMKE	415023
412625	MICH	415060	41328 C-R	55268	414500 C-R	814500	415025 TIMKE	415025
412625	MICH	455060	4133B JN-MN	457874	414503 C-R	814503	415027 NATL	415027
41263	IH	415551	413469 NATL	413469!	41452 HYST	472016	415027 TIMKE	415027
412636	SPG	472636!	413469 TIMKE	413469	41453 HYST	472409!	415027H TIMKE	415027
41264	IH	417254	413470 NATL	413470=	41454 GARLK	473227!	415027HC9 SPG	415027
41264S	TIMKE	471264	413470 TIMKE	413470	41454 HYST	415074	415027N TIMKE	415027
41265	C-R	417512*	413472 TIMKE	413472	41455 C-R	105X140X12	415029 SPG	416125!
412669C91	IH	415483	413478 TIMKE	413478	41455 HYST	417172	415029BG SPG	416125!
41267S	TIMKE	471267	413479 TIMKE	413479	41455 SPICE	5778V	415034 NATL	415034
4126893	CHRYS	3677	41348 GARLK	472258!	41455-1 SPICE	5778V	415034 TIMKE	415034
412699C91	IH	415483	41350 C-R	455203	414550 MICH	55199=	415034VA SPG	415034V
41270	C-R	417512	413500 C-R	813500	414550 UNIVE	55199* =	415035 NATL	415035!
41271	C-R	417512	413503 C-R	813503	41456 C-R	105X140X12!	415035 TIMKE	415035
412725	TIMKE	412725	41351 MALL	481644	41456 HYST	473475	415036 TIMKE	415036
412798N	TIMKE	472012	413536 H-S	412119!	414575 MICH	417525	415040 SPG	416891!
4127B	JN-MN	417073	413539 H-S	470334!	414575 UNIVE	417525*	415041 TIMKE	415041
4127RA	SPG	4127	413561 H-S	416664!	414598 GMC	1187	415043 TIMKE	415043
4128	SKIL	471554	413577 H-S	473467	414598 GMC	47X68X10!	415045 NATL	415045
41281S	NATL	471281!	4136 TEKNI	471649!	41460 WAUKE	471785!	415045 TIMKE	415045
41286	C-R	415043	41360 GARLK	471192	414600 MICH	417526	415047 TIMKE	415047
412861	TIMKE	412861	413619 WHITE	415351!	414600 UNIVE	417526	415049 SPG	416892!
41287	C-R	415043*	41368 GARLK	473214!	41460A WAUKE	471785!	415052 TIMKE	415052
412871	NATL	412871	4137283 CHRYS	9316	41461S TIMKE	41461S	415053 NATL	415138!
412871	TIMKE	412871	4137314 CHRYS	710067	41462 GARLK	470625!	415053 WMG	415138!
4128B	JN-MN	413469!*	4137426 CHRYS	8835S	414625 MICH	415351!	415058 TIMKE	415058
412920	NATL	412920=	413752C91 IH	415027	41466S TIMKE	471466	415060 TIMKE	415060
412920	TIMKE	412920	413753C1 IH	415138!	4146908 FIAT	1174	415062 SPG	415351!
412920V	TIMKE	412920	413753C91 IH	415138!	4146908 FIAT	38X52X8.5!	415064 TIMKE	415064
412943	TIMKE	412943	4137744 CHRYS	473814	4146912 FIAT	224220	415066 TIMKE	415066
412A34	C-R	417621!	4137765 CHRYS	722108	4146912 FIAT	42X56X7!	415068 NATL	417269!
412B34	C-R	5578	4137766 CHRYS	4250	4146912 FIAT	494117	41507 ALLCH	415035!
412BM34-T8	C-R	5578	41378 GARLK	473215!	4146916 FIAT	224040	41507 ALLCH	415035
412F3	C-R	417351!	413799 SPG	1950	4146916 FIAT	40X60X10!	415070 NATL	416865!

! Industrial Size/Type * Minor Width Difference = Call 1-800-480-1212 for price and delivery.

Zero Duplication or Recommended		Zero Duplication or Recommended		Zero Duplication or Recommended		Zero Duplication or Recommended		
Mfr. No.	Name	Mfr. No.	Name	Mfr. No.	Name	Mfr. No.	Name	
415072	TIMKE	415072	415248 SPG	412861	415479RA SPG	417350!	415983VGR SPG	713750
415073	SPG	416107!	415248N TIMKE	412861	415482 TIMKE	415482	415984 NATL	415984 =
415074	TIMKE	415074	415254 TIMKE	415254	415483 NATL	415483	415984 TIMKE	415984
415076	TIMKE	415076	415259 NATL	415259 =	415483 TIMKE	415483	415988 TIMKE	415988
415077	TIMKE	415077	415259 TIMKE	415259	415489 NATL	417603!	415991 NATL	415146!
415082	TIMKE	415082	415263 TIMKE	415263	415498 TIMKE	415498	415991 NATL	415991
415082N	TIMKE	415082	415265 SPG	456305	41550 C-R	9128S	415991 NATL	455146
415084	SPG	416239!	415269 SPG	417502	415500 C-R	815500	415991 SPG	415991
415084R	ROCKW	416239 =	41526S TIMKE	417526	415503 C-R	815503	415991 SPG	415991!
415085	NATL	456648	415270 SPG	417605	415507XX TIMKE	41X55X7	415991 TIMKE	415991
415085	TIMKE	415085	415271 SPG	415725!	41555 C-R	2064	415991N TIMKE	415991
415086N	TIMKE	417487	415272N TIMKE	416706	415551 TIMKE	415551	415991SSR SPG	415991
415086RA	SPG	417487	415273 SPG	417254	415551V TIMKE	415551	415991VGR SPG	415991
415088	NATL	415088	415281 NATL	417349	415551VGR SPG	415551	415995 NATL	415995!
415088	TIMKE	415088	415281N TIMKE	100495	415559 TIMKE	415559	415995 TIMKE	415995
41509	TIMKE	416229	415281N TIMKE	417349	415563 TIMKE	417433	415995A TIMKE	415995
415090	TIMKE	415090	415281N WMG	417349!	415577 TIMKE	415577	415995V NATL	415995!
415094	SPG	416444	415284 TIMKE	415284	41560 TROS	473463	415995V TIMKE	415995
415095	NATL	416271!	415294 NATL	415294	415607XX TIMKE	41X56X7	4159A WAYNE	476838!
415098N	TIMKE	415302!	415294 TIMKE	415294	415610 TIMKE	415610	4159B JN-MN	481163!*
4150N	WMG	710096	415295 TIMKE	415295	41561S TROS	473435	415VB7 MARI	416154!
41510	TIMKE	416229	415299 SPG	417600	415627 TIMKE	415627	4160 TIMKE	4160
415104RA	SPG	415645!	4152A WAYNE	472015!	415627SSR SPG	415627	416000 C-R	816000
415104RA	SPG	455104	415302 TIMKE	415302	415645 NATL	455104	416003 C-R	816003
415105	NATL	415938	415303 NATL	415303 =	415645 TIMKE	415645	416008 TIMKE	416008
415107	SPG	416666	415303 TIMKE	415303	415656 TIMKE	415656	416011 NATL	417621
415111BX	SPG	416229	415304 TIMKE	476470	41566 GARLK	473230!	416011 TIMKE	417621
415115	NATL	416077	415315 SPG	415984!	415683 TIMKE	415683	416011HAR WMG	5509
415116	TIMKE	415116	415315RA SPG	415984!	415697 NATL	415697 =	416024 TIMKE	416024
415124	TIMKE	415124	415317 TIMKE	415317	415697 NATL	455547	416029 TIMKE	416029
415128	TIMKE	415128	415319RR SPG	417495	415697 TIMKE	415697	416029N NATL	416029
415134N	SPG	455134	415322 TIMKE	417484	415711 TIMKE	415711	416029N TIMKE	416029N
415137	TIMKE	415137	415322V TIMKE	417484	415725 TIMKE	415725	416029SSR SPG	416029
415138	NATL	415138 =	415322VGR SPG	417484	41572S NATL	43076S	416029SSR SPG	416029N!
415138	TIMKE	415138	415327 TIMKE	415327	41576 GARLK	473231!	416039 TIMKE	416039
415142	TIMKE	415142	415349 TIMKE	415349	41579 SPICE	474278	416041 TIMKE	416041
415146	TIMKE	415146	415350 TIMKE	415350	415832 TIMKE	415832	416043 TIMKE	416043
415146N	WMG	415991	415351 NATL	370020A	415836 TIMKE	415995	416044 TIMKE	416044
415146N	WMG	415991!	415351 NATL	415351	415836N TIMKE	415995	416047 TIMKE	416332
415147	TIMKE	415449	415351 TIMKE	415351	415854 TIMKE	415854	41605 VIC	5M406 =
415147N	TIMKE	415449	415354 NATL	416404!	415857 NATL	415857	416055 SPG	415683
415149	SPG	417343!	415355 SPG	417158!	415857 TIMKE	415857	416070 TIMKE	416070
415150	TIMKE	415150	41536 TIMKE	41536	415861C91 IH	412473	416071 TIMKE	416071
415154	SPG	417351!	415363 SPG	417362!	415867 TIMKE	415867	416077 TIMKE	416077
415156	SPG	417621!	415364 SPG	416664!	415871 TIMKE	415871	416102 TIMKE	416102
415156N	TIMKE	417621	415368 SPG	415483	415876 TIMKE	415876	416107 NATL	455073
415162	SPG	417181!	41537 TIMKE	41537	415876V TIMKE	415876	416107 NATL	475638
415164	SPG	412473!	415371 TIMKE	415371	415894 TIMKE	412473	416107 TIMKE	416107
415164N	TIMKE	412473	415377 SPG	417541	415897 TIMKE	415897	416112 TIMKE	416112
415165	SPG	417191	415379 NATL	415379 =	415899N TIMKE	415899N	416125 TIMKE	416125
415172	SPG	416332!	415379 TIMKE	415379	4159 WAYNE	476838!	416127 TIMKE	416127
415177	SPG	415379	415389 TIMKE	415389	41590 GARLK	473010!	416130 TIMKE	416130
415187	TIMKE	415187	415389N TIMKE	415389	415915C91 IH	712625	416135 NATL	476135 =
415192	SPG	417357	415394 TIMKE	415394	415937 NATL	415937 =	416135 TIMKE	416135
415192N	TIMKE	415192N	415425 TIMKE	415425	415937 TIMKE	415937	416137 TIMKE	416137
415195	SPG	416556!	415436 TIMKE	415436	415938 TIMKE	415938	416144 TIMKE	416144
415195	SPG	472157	415436SSR SPG	415436	415953 NATL	415035!	416147 TIMKE	416147
415196	NATL	475196 =	415437 NATL	415437	415953 TIMKE	415035	416149 TIMKE	416149
415196	TIMKE	415196	415437 NATL	475437 =	415958 NATL	415958	416153 NATL	416153
415198	SPG	416380!	415437 TIMKE	415437	415958 TIMKE	415958	416153 TIMKE	416153
4151R	SPG	710160	415442 NATL	55442	415960 NATL	415960!	416154 NATL	416154
415200	NATL	416888!	415442 TIMKE	415442	415960 TIMKE	415960	416154 TIMKE	416154
415209	SPG	416154!	415447 TIMKE	415447	415962 TIMKE	415962	416156 TIMKE	416156
415213	SPG	417247!	415449 NATL	415449!	415972 SPG	415988	416158 TIMKE	416158
415213N	TIMKE	415213N	415449 TIMKE	415449	41598 GARLK	473232!	416163 TIMKE	416163
415219	TIMKE	415219	415449A TIMKE	415449	415983 TIMKE	415983	416167 NATL	416167
415227	NATL	417756	415449V TIMKE	415449	415983N NATL	415983	416167 TIMKE	416167
415227	TIMKE	415227	415458 NATL	415458 =	415983N TIMKE	415983N	416176 SPG	417544
4152319	FIAT	222860	415458 TIMKE	415458	415983SSR SPG	415983	416190 SPG	417361
4152319	FIAT	28X47X7!	415458A TIMKE	415458	415983SSR SPG	415983N!	416191 TIMKE	416191
415234	NATL	415234	415458V TIMKE	415458	415983V TIMKE	415983V	4161B JN-MN	416339
415234	TIMKE	415234	415469 WHITE	415458!	415983VGR SPG	415983V	4161B JN-MN	455031!

! Industrial Size/Type * Minor Width Difference = Call 1-800-480-1212 for price and delivery.

NUMERICAL

Zero Duplication or Recommended		Zero Duplication or Recommended		Zero Duplication or Recommended		Zero Duplication or Recommended	
Mfr. No.	Name	Mfr. No.	Name	Mfr. No.	Name	Mfr. No.	Name
4162 O-M	471442!	416414 SPG	415991	417016 TIMKE	417016	417355 TIMKE	417355
4162 TIMKE	4162	416422 TIMKE	416422	417020 TIMKE	417020	417356 NATL	417356
416219 SPG	417365	416444 TIMKE	416444	417022 TIMKE	417022	417356 NATL	417356=
416229 TIMKE	416229	41647 SPICE	2146	41704 GARLK	472164!	417356 NATL	455188
41623208 TROS	355732	416470N TIMKE	100494	417040 TIMKE	417040	417356 TIMKE	417356
416239 NATL	416239=	416470N TIMKE	476470	417073 TIMKE	417073	417357 NATL	455192
416239 NATL	416239	416476 NATL	416476	417079 TIMKE	417079	417357 TIMKE	417357
416239 TIMKE	416239	416476 TIMKE	416476	417082 TIMKE	417082	417358 TIMKE	417358
41624810 TROS	416282	416500 C-R	816500	41708 JN-MN	417196!*	417359 TIMKE	417359
41624812 TROS	416282	416500 TIMKE	416500	417115 TIMKE	417115	417360 TIMKE	417360
41625207.5 TROS	411348!	416500RAR SPG	416500	417134 TIMKE	417134	417361 TIMKE	417361
416257 TIMKE	416257	416500SSR SPG	416500!	41714 GARLK	472185!	417362 NATL	415363=
416267 TIMKE	416267	416503 C-R	816503	417158 NATL	417158!	417362 TIMKE	417362
416268 TIMKE	416268	416550 MICH	416888!	417158 NATL	9864S	417363 TIMKE	417363
416270 TIMKE	416270	416550 UNIVE	416888!	417158 TIMKE	417158	417364 TIMKE	417364
416270SSR SPG	416270	416556 TIMKE	416556	417159 TIMKE	417159	417365 TIMKE	417365
416271 TIMKE	416271	416557 TIMKE	416557	417159VGR SPG	417159=	417366 NATL	417366=
416271A TIMKE	416271	416563 MICH	416153!	417171 NATL	417171=	417366 TIMKE	417366
416273 NATL	416273	416575 MICH	416892!	417171 TIMKE	417171	41737 HYST	415085!
416273 NATL	416273=	416575 UNIVE	416892!*	417172 TIMKE	417172	417374 SPG	417606
416273 TIMKE	416273	416600 MICH	416154!	417181 NATL	417181=	4173789 CHRYS	3459
416278 TIMKE	416278	416600 UNIVE	416154!	417181 TIMKE	417181	41738 HYST	413478
416282 TIMKE	416282	416624 NATL	416624=	417191 NATL	417191!	417433 NATL	417433
416285 TIMKE	416285	416624 TIMKE	416624	417191 NATL	455165	417433 TIMKE	417433
416285SSR SPG	416285	416624N TIMKE	416624	417191 NATL	456585!	4174631 SPICE	470328
416288 TIMKE	416288	416625 MICH	415351!	417191 TIMKE	417191	4174631 SPICE	481213!
416289 SPG	417171!	416638C91 IH	710021	417196 NATL	417196=	4174632 SPICE	473231
416292 TIMKE	416292	416654 NATL	416654	417196 TIMKE	417196	4174633 SPICE	471529
416294 NATL	416294=	416654 TIMKE	416654	417198 TIMKE	417198	417474 TIMKE	417474
416294 TIMKE	416294	416657 TIMKE	416657	417205 NATL	417205=	417480 NATL	417480
416294V SPG	416294	416664 NATL	416664	417205 TIMKE	417205	417480 TIMKE	417480
416294V TIMKE	416294	416664 TIMKE	416664	417210 NATL	486985=	417481 TIMKE	417481
416297 TIMKE	416297	416666 TIMKE	416666	417210 TIMKE	417210	417483SSR SPG	415007
4162B JN-MN	472924!	416670 TIMKE	416670	417211 TIMKE	417211	417484 TIMKE	417484
41630007.5 TROS	417487	416674V TIMKE	416674V	417223 TIMKE	417223	417484N NATL	417484!
41630010 TROS	417487	416706 NATL	416706	417238 TIMKE	417238	417484N TIMKE	417484
41630810 TROS	416288	416706 TIMKE	416706	417247 TIMKE	417247	417485 TIMKE	417485
41631210 TROS	456105	416738 NATL	450096	417252 TIMKE	417252	417486 TIMKE	417486
416313 TIMKE	416313	416738 TIMKE	416738	417254 TIMKE	417254	417487 NATL	417487!
41631606 TROS	476470	41675F VIC	5M406=	417255 TIMKE	417255	417487 TIMKE	417487
41631607.5 TROS	476470	4167735 CHRYS	472572	417258 TIMKE	417258	417488 NATL	417488
41631610 TROS	476470	416775 TIMKE	416775	41726 GARLK	472179	417488 TIMKE	417488
41632010 TROS	416292	4167917 CHRYS	482163!	417262 NATL	417262	417489SSR SPG	415088
416321 TIMKE	416321	4167929 CHRYS	3173	417262 TIMKE	417262	417490 TIMKE	417490
416327 TIMKE	416327	4167929 CHRYS	710928	417262V TIMKE	417262	417491 TIMKE	417491
416332 NATL	416332	4167930 CHRYS	472572	417267 TIMKE	417267	417492 TIMKE	417492
416332 TIMKE	416332	41682 VIC	5M445	417269 NATL	417269	417493 TIMKE	417493
416339 NATL	416339=	416865 NATL	416865	417269 TIMKE	417269	417494 TIMKE	417494
416339 NATL	455031	416865 TIMKE	416865	417273 TIMKE	417273	417495 TIMKE	417495
416339 TIMKE	416339	416888 NATL	355200	417278 TIMKE	417278	417496 TIMKE	417496
416345 NATL	416345=	416888 NATL	416888	417283 TIMKE	417283	417497 TIMKE	417497
416345 NATL	455033	416888 TIMKE	416888	417295 TIMKE	417295	417498 TIMKE	417498
416345 TIMKE	416345	416891 TIMKE	416891	417298 TIMKE	417298	417499 TIMKE	417499
416362 SPG	416362	416892 NATL	416892=	417316 NATL	417316!	4175 TIMKE	4175
416362 TIMKE	416362	416892 TIMKE	416892	417316 TIMKE	417316	41750 C-R	415295
416364 NATL	416364=	4168B JN-MN	327303!	41733 HYST	416364!	417500 C-R	817500
416364 TIMKE	416364	4168LUP JN-MN	327303!	417343 TIMKE	417343	417500 TIMKE	417500
416370 NATL	416370=	4169 SKIL	240119	417344 NATL	417344=	417500VGR SPG	417500V
416370 TIMKE	416370	41690 GARLK	473237!	417344 TIMKE	417344	417501 TIMKE	417501
416370SSR SPG	416370!	416919 TIMKE	416919	417349 NATL	417349	417502 TIMKE	417502
416380 NATL	415196	416919N NATL	416919	417349 TIMKE	417349	417503 C-R	817503
416380 TIMKE	416380	416919N TIMKE	416919	417350 NATL	417350=	417503 TIMKE	417503
416381 TIMKE	416381	416919SSR SPG	416919!	417350 TIMKE	417350	417504 TIMKE	417504
416383 TIMKE	416383	416919SSR SPG	416919	417351 NATL	417351=	417505 TIMKE	417505
416394 TIMKE	416394	416921 NATL	416921=	417351 TIMKE	417351	417506 TIMKE	417506
4163B JN-MN	415725!*	416921 TIMKE	416921	417352 TIMKE	418028	417507 NATL	417507
416403 SPG	417602!	416951 TIMKE	416951	417353 NATL	417353=	417507 TIMKE	417507
416404 NATL	416404=	416956 TIMKE	416956	417353 TIMKE	417353	417509 TIMKE	417509
416404 TIMKE	416404	41698 VIC	722109	417354 NATL	417354=	41751 C-R	415295
416414 NATL	415991	416VB7 MARI	417267	417354 TIMKE	417354	417511 TIMKE	417511
416414 NATL	415991!	417000 C-R	817000	417355 NATL	417355=	417512 TIMKE	417512
416414 SPG	415991!	417003 C-R	817003	417355 NATL	485497	417513 TIMKE	417513

! Industrial Size/Type * Minor Width Difference = Call 1-800-480-1212 for price and delivery.

Zero Duplication or Recommended			Zero Duplication or Recommended			Zero Duplication or Recommended			Zero Duplication or Recommended		
Mfr. No.	Name	Industrial	Mfr. No.	Name	Industrial	Mfr. No.	Name	Industrial	Mfr. No.	Name	Industrial
417514	TIMKE	417514	417780	TIMKE	417780	4191B	JN-MN	472319*	42073	TROS	370003A
417515	TIMKE	417515	4177B	JN-MN	455019!	4193LPD	JN-MN	473439!	42075	TROS	5578
417516	TIMKE	417516	4177CA	SPG	1993	4194B	JN-MN	472924!	42076	US-EL	416664!
417516VGR	SPG	417516V	417817	TIMKE	417817	41950	C-R	455625=	42079	TROS	7600S
417518	TIMKE	417518	41785S	SPG	471785!	419500	C-R	819500	42081S	TIMKE	42081S
417520	TIMKE	417520	41787S	TIMKE	471787	419503	C-R	819503	42089	TROS	7886S
417522	TIMKE	417522	4178B	JN-MN	415001!	41962	TROS	7107A=	42093	TROS	472016
417525	TIMKE	417525	417939	TIMKE	417939	4197B	JN-MN	417780*	420953	CATER	470380!
417526	TIMKE	417526	417940	TIMKE	417940	41999	VIC	472636!	420984C91	IH	100495
417530	TIMKE	417530	4179496	CHRYS	4405V	419990	C-R	819990	420984C91	IH	476023N
417531	TIMKE	417531	4179497	CHRYS	5414	4199B	JN-MN	473437	42099	TROS	5751
417532	TIMKE	417532	4179498	CHRYS	2146	419VB7	MARI	416154!	4209B	JN-MN	411245!
417533	TIMKE	417533	417967	NATL	417967	41A62	O-M	471442!	421	KRSE	411376!
417534	TIMKE	417534	417967	TIMKE	417967	41N1568	WGEAR	471466!	4210	C-R	343101
417535	TIMKE	417535	417986N	TIMKE	417986N	41SR-28	MACK	HU036A	421001C	EMSCO	416865!
417536	TIMKE	417536	417987N	TIMKE	47987N	41X10133A	JOHND	473231	421002C	EMSCO	415074
417537	CATER	470898	417VB7	MARI	473215!	41X10836A	JOHND	2081	421003C	EMSCO	417298
417537	TIMKE	417537	418000	C-R	818000	41X50056D	JOHND	471272!	42101	SPG	42101S
417538	TIMKE	417538	418003	C-R	818003	41X51990A	JOHND	200854	42101S	TIMKE	42101S
417539	TIMKE	417539	41802	GARLK	472439	41X53X7TA	TRSCM	1950	42103	SPICE	473452
417540	TIMKE	417540	418027	TIMKE	418027	41X55X7SC	TRSCM	41X55X7!	42103	TROS	5759=
417541	TIMKE	417541	418028	NATL	415137!	41X55X7TC	TRSCM	41X55X7!	4210530	CHRYS	471271!
417542	TIMKE	417542	418028	NATL	418028	41X56X7SC	TRSCM	41X56X7!	42106	TROS	5778
417543	TIMKE	417543	418028	NATL	455137	41X56X7TC	TRSCM	41X56X7!	4210603	CHRYS	341022
417544	TIMKE	417544	418028	TIMKE	418028	420003	C-R	820003	4210952	CHRYS	722109
417545	TIMKE	417545	418029	NATL	418029	4200156	AMC	25598	4210B	JN-MN	473224!
417546	NATL	417546	418029	TIMKE	418029	42002	EATON	370023A	42116	TROS	450307
417546	TIMKE	417546	41804	HYST	417349	42006	GARLK	471424!	42117	TROS	470898
417547	TIMKE	417547	41809	HYST	415302	4200669	US-EL	55386	42120	C-R	710295
417548	TIMKE	417548	41812	C-R	417513	4201	CLARK	471818	42121	TROS	472179
417549	NATL	417549=	41813	C-R	417513	420140C91	IH	474276	42122	TROS	473228
417549	TIMKE	417549	41814	GARLK	472572!	42015	IH	473426	42125	VIC	5M289
417550	TIMKE	417550	41818	ALLCH	471766!	4201B	JN-MN	416071	42126	TROS	471224
417551	TIMKE	417551	41826	GARLK	473238!	42023	GARLK	472492!	421268	WHITE	6635S
417554	NATL	417554=	41833	C-R	417514	42031	C-R	456141	42130	TROS	5865
417554	TIMKE	417554	41833C	HYST	472394	42031	TROS	5246	42132	TROS	472258
417555	NATL	415487	41838	GARLK	473239!	42035	GARLK	472924!	42132S	TROS	472258
417555	TIMKE	417555	4183LPD	JN-MN	416500	42039S	TROS	5401	42134	TROS	455280
417556	TIMKE	417556	41840S	TROS	474278!	42041	TROS	5403	42140D	IH	415142
417562	TIMKE	417562	41840S	TROS	6859S	42042	GARLK	417351!	42143	TROS	473228
417563	TIMKE	417563	418456	TW-CO	415036	42043	TROS	5405	42146	TROS	200354
417564	TIMKE	417564	41848	GARLK	473240!	42043	VIC	5M81	421462	CATER	6760S
417567	TIMKE	417567	4184B	JN-MN	472070*	42044	TROS	5406	42146S	TROS	204002
417570	TIMKE	417570	4185	NATL	5698	42045	TROS	5408	42148	TROS	455151
417571	TIMKE	417571	418500	C-R	818500	42045	VIC	5M81	4214B	JN-MN	417546!*
417584	TIMKE	417584	418503	C-R	818503	42046	SPICE	473212	42150	GMC	415991!
417596	TIMKE	417596	418553	TW-CO	5405	42047	TROS	5410	42150	GMC	415991
417597	TIMKE	417597	418575	MICH	417533	42047	VIC	5M81	42150	US-EL	415302
417598	TIMKE	417598	418575	UNIVE	417533*	42049	VIC	5M293	42152	TROS	5951
417598V	TIMKE	417598	4185B	JN-MN	415988*	42050	VIC	55367=	42153S	TROS	5957S
417598VGR	SPG	417598	418600	MICH	417534	42053	TROS	5460	42154	TROS	370036A
4175BX	SPG	4175	418600	UNIVE	417534	42055S	TROS	5462	42154	TROS	370349A
4175BXO	SPG	4175	4186220	CHRYS	3476	42056	GARLK	472397!	42155	TROS	203034
417600	TIMKE	417600	418625	MICH	457585	42057	TROS	370002A	42156	TROS	5971
417601	TIMKE	417601	41862D	IH	417351!	42057S	UNIVE	415371*	42159	GARLK	473204
417602	NATL	417601	41869	GMC	415991	42058S	TROS	417506	4215B	JN-MN	416921!
417602	TIMKE	417602	41869	GMC	455146!	42060	TROS	370019A	42165C	VIC	5M403
417603	NATL	417603=	41874	C-R	417515	420600	MICH	416158	42166	TROS	415899N
417603	TIMKE	417603	41875	C-R	417515	420600	UNIVE	416158	42166	TROS	416624
417604	TIMKE	417604	41876	C-R	417515	42061S	TROS	370005A	42167	EATON	6754S=
417605	TIMKE	417605	418772	WHITE	450593!	420625	MICH	415064	42169	VIC	5M356
417606	TIMKE	417606	4187B	JN-MN	471267!	420625	UNIVE	415064	42171	GARLK	470898
417608	TIMKE	417608	41888	VIC	416888!	42063	DANA	4131	421732C91	IH	442874
41761	C-R	455194*	41899	C-R	417516	42063S	TROS	5471	42176	TROS	413478
417621	NATL	417621	4189H	TIMKE	4189H	42064S	TROS	5472=	42177	TROS	6074
417621	TIMKE	417621	418E-71	IH	416153!	42065S	TROS	5473	42177D	IH	473367!
417698	TIMKE	417698	418HA3-L	C-R	7338N	42068S	TROS	5481	42177D	IH	473367
4177	EATON	416239!	418VB7	MARI	473225!	4206B	JN-MN	472164!	42179	TROS	353141!
41771	C-R	455194*	41900	C-R	417516	42070S	TROS	5589	42179D	IH	455008
41772	C-R	455194*	419000	C-R	819000	42071	GARLK	473242	42181	TROS	6090S
41777	SPICE	710304	419003	C-R	819003	42071	TROS	5494	42182D	IH	415034!
41778	SPICE	710095	419032C91	IH	470954	42072S	TROS	5495	42183D	IH	471750!

! Industrial Size/Type * Minor Width Difference = Call 1-800-480-1212 for price and delivery.

NUMERICAL

Zero Duplication or Recommended		Zero Duplication or Recommended		Zero Duplication or Recommended		Zero Duplication or Recommended	
Mfr. No.	Name	Mfr. No.	Name	Mfr. No.	Name	Mfr. No.	Name
42183DA IH	471750!	42284 TROS	6590S	42354S TROS	7006S	42430010 TROS	417488!
42186 GARLK	472015!	42284S TROS	6590S	42355S TROS	7014S	42430810 TROS	417171!
42187 TROS	410708	422857 WHITE	416654	42357S TROS	473234!	42431 C-R	416556!
42188 TROS	470954	42285S TROS	6592S=	42358S TROS	410059	42431 C-R	472157
42197 TROS	472924	422878 ADAMS	416892!	42358S TROS	470380!	42432408 TROS	412473!
42198 GARLK	472016!	422881 ADAMS	415027!	4235B JN-MN	471567!*	42432410 TROS	412473!
42198 TROS	452222!	422881 ADAMS	415027	42366 TROS	7376=	42433 C-R	472157*=
4219B JN-MN	455406!	422881 LETN	415027	42367 TROS	7378	42433212 TROS	415899N
421W38 C-R	455566	422881 LETN	415027!	42368S TROS	7381S	42433212 TROS	416624
422 KRSE	415449!	422881 WABCO	415027	42369 VIC	5MR71	42434 GARLK	413246
42201 TROS	6180=	422881 WABCO	415027!	42369S TROS	370005A	42436M1 C-R	456105*
42204 TROS	473214	42288S TROS	6597S	42372 GMC	417343!	42438 C-R	476470
42205D VIC	5M403	4228B JN-MN	474276!	42372S TROS	471750	42438M1 C-R	476470
42207 TROS	410987=	42290 TROS	6612S	42373S TROS	8370S	4243M1 C-R	417487
4220B JN-MN	415458!	422920 ADAMS	476838!	42375S TROS	8059S	4243V SPG	713750
4220LPD JN-MN	415458!	42295S TROS	6635S	42376 MID	470590	4244 TIMKE	4244
4220LUP JN-MN	415458!	42296S TROS	6638S	42376 MID-R	470590	42440 C-R	416556!
42210 GARLK	473243	42298S TROS	471570!	423843 ADAMS	472924!	42440 C-R	472157
42212 TROS	471271!	42299 TROS	471267!	423843 LETN	472924!	42440 VIC	5MR71
42214 TROS	6245S=	422997 ADAMS	473215!	423843 LK-BT	472924!	42446 GARLK	413247!
42215 MID-R	471466!	42300 TROS	6644	423843 WABCO	472924!	424469C91 IH	452742
42215 SPECI	471344	42301S TROS	9613S	42385 MWKEL	412920	42448 C-R	472157
42216 MID	471267!	42302 TROS	6649	42385 TROS	5313	42448 C-R	472157!
42216 MID-R	471267!	42303 GARLK	471272!	4238570 CHRYS	4099	42449 SPICE	719316
4221A144 KOEH	415458!	42303S TROS	473234!	4238789 CHRYS	4249	42449-1 DANA	719316
4221B JN-MN	415991	42304 TROS	6663S	4238B JN-MN	415088	42452S UNIVE	415150!*
4221B JN-MN	455146!	42306 TROS	471413!	4238B JN-MN	415088!	42455 C-R	472157*
42220 TROS	6270	42308 TROS	470605!	42395 C-R	472157	42457 C-R	416556!
42221S TROS	6283S	4231012 EARTH	450398	42395 C-R	472157!	42457 C-R	472157
42225 TROS	6312	4231012 EARTH	471267!	42396 C-R	472157	42457S MICH	415138!
42226 TROS	6324S=	42311S TIMKE	472311	42396 C-R	472157!	42457S UNIVE	415138!*
42229 TROS	6336S	42311S TROS	6703S	42396 TROS	5965	42458 C-R	416556!
422309 WOOL	455576!	42312 TROS	470712	4239B JN-MN	473447*	42458 C-R	472157
42231S TROS	472258	42313 TROS	205004	423F38 C-R	476470!	424588 MICH	417538
42233S TROS	6357S	42315S TROS	412473!	423F38 C-R	476470	424600 MICH	417247!
42237S TROS	6370N	42316 TROS	416892	423FF38 C-R	476470	424600 UNIVE	455123
42238S TROS	471526!	42317 GARLK	471138!	423FM38 C-R	476470	42461 GARLK	416271!
4224 SKIL	471647	42317 TROS	6759S	423FM38 C-R	476470!	42462S MICH	415066
42241S TROS	6402S=	42317S TROS	6759S	42400 VIC	5MR71	42462S UNIVE	415066*
42243 TROS	471442!	42320S TROS	417134	4240044 CHRYS	5414	42469 BUDD	5924
42244 TROS	483054N	42322S TROS	471466!	4240101 CHRYS	5127	42470 C-R	47150S
42248 TROS	472354!	42323S TROS	471264!	4240150 CHRYS	5650	424740 ADAMS	415449!
42249 TROS	417267	42324S TROS	481443!	42410 C-R	416556!	42475 C-R	415196!*
42250 TROS	473228	42325S TROS	6808N	42410 C-R	472157	42477 C-R	415196!
42256 TROS	370002A	42328S TROS	6832S	42411 C-R	472157!	42478 C-R	415196!
42257S UNIVE	415284*	42329 GARLK	472636!	42411 C-R	472157	42479 C-R	415196!
42257S TROS	473179	42329S TROS	470954	42411S TROS	6668S	4248 C-R	472810!
42258 MID	473227	4232B JN-MN	472070*	42416 TROS	370004A	42480 C-R	415196!
42258 MID-R	473227	42330 TROS	6840S	42418 C-R	416556!	42481 C-R	415196!
42259 TROS	6465	423314 C-R	418029!	42418 C-R	472157	42482 C-R	415196!
4225B JN-MN	416292*	423314M1 C-R	418029!	42419 C-R	472157	42485 C-R	415196!*
422600 MICH	417535	42331S TROS	6846S=	42420 TROS	7131	42486 C-R	415196!*
422600 UNIVE	417535	42332R DIA	470898!	42421S TIMKE	42421S	424872 ADAMS	415025
42260S TIMKE	42260S	42332S TROS	6847S	42422 C-R	472157	4249 TIMKE	4249
42262S MICH	417536	42336S TROS	410496!	42422 GARLK	470565!	42490 IH	471733
42262S UNIVE	417536	42337S TROS	417210!	42422410 TROS	455650=	42490D IH	471733
42263 TROS	455566	42338S TROS	6863S!	42423S TROS	7896S	4249CA SPG	4249
42266 TROS	471829	42340S TROS	370005A	42424 TROS	7131	424A38 C-R	476470!
42268 TROS	6513	42341 GARLK	412920!	42425 C-R	452157!	424A38 C-R	476470
42270 TROS	410708	42341S TROS	6872S	42426 C-R	472157	424AM3 C-R	417487!
42272S TROS	6532S=	42342S TROS	417254	42426 C-R	472157!	424AM3 C-R	417487
42273 TROS	6547	42343S TROS	473234!	42427 C-R	416556!	424AM38 C-R	476470!
422743C91 IH	471424!	423449S WGEAR	417210!	42427 C-R	472157	424AM38 C-R	476470
422744C91 IH	473232!	42344R TROS	470898!	42427 SPICE	4525V	424AMM38 C-R	476470!
42276 TROS	6532S=	42345 TROS	6886S	42427 VIC	4525V	424AMM38 C-R	476470
42277 TROS	455134	42346 TROS	6897=	42428 C-R	416556!	424B3 C-R	417487!
42279 TROS	416888!	42347S TROS	6906S	42428 C-R	472157	424B3 C-R	417487
42280 AMC	473444	42351 TROS	6922=	42429 C-R	416556!	424B34 C-R	416288
42280 TROS	6575S	42352S TIMKE	42352S	42429 C-R	472157	424B38 C-R	476470!
42280S NATL	7840S	42352S TROS	471141	4243 C-R	417487	424B38 C-R	476470
42280S TIMKE	254287	42353R TROS	473459	42430 C-R	472157	424BM34 C-R	416288
42282 TROS	418028	42354 TROS	370006A	42430 C-R	472157!	424BM38 C-R	476470!

! Industrial Size/Type * Minor Width Difference = Call 1-800-480-1212 for price and delivery.

Zero Duplication or Recommended		Zero Duplication or Recommended		Zero Duplication or Recommended		Zero Duplication or Recommended					
Mfr. No.	Name Industrial	Mfr. No.	Name Industrial	Mfr. No.	Name Industrial	Mfr. No.	Name Industrial				
424BM38	C-R	476470	425314	C-R	418029!	4254954	ALLCH	450639	42617	GARLK	413248
424BM38-T8	C-R	476470!	425314M1	C-R	418029!	42549543	ALLCH	450639	42620	C-R	416137
424BM38-T8	C-R	476470	42532	C-R	455734=	4254963	ALLCH	471554!	426208XX	TIMKE	42X62X8
424C32410	TROS	412473!	4253248	ALLCH	473463	4254976	ALLCH	40433S	42621	C-R	416137
424F38	C-R	476470*	4253264	ALLCH	40438S	4254986	ALLCH	40433S	42622	C-R	370065A>
424FM38	C-R	476470!	4253265	ALLCH	473367!	42549865	ALLCH	40433S	42622	C-R	376590A%
424FM38	C-R	476470	4253265	ALLCH	473367	42550	C-R	AR22+370106A	42622	C-R	380065A>
424HMS226-Q6	C-R	411348!	4253297	ALLCH	40438S	42550+455024	C-R	380065A	42623	C-R	370065A>
424W3-M1	C-R	417487	42532M1	C-R	455015	425507XX	TIMKE	42X55X7	42623	C-R	376590A%
4250	C-R	472810!	4253341	ALLCH	471571	425508XX	TIMKE	42X55X8	42623	C-R	380065A>
4250	TIMKE	4250	42533414	ALLCH	471571	4255130	ALLCH	471829	42624	C-R	370107A
42500	SPICE	710202	4253382	ALLCH	417316!	42551309	ALLCH	471829	42624	C-R	380065A
4250222	ALLCH	473016!	4253388	ALLCH	416892!	42553123	ALLCH	472439	42625	C-R	370065A>
4250224	ALLCH	473016!	42534	C-R	416288!	4255587	ALLCH	471424!	42625	C-R	376590A%
4250225	ALLCH	472070	42534	GR-DV	416288!	42557	C-R	416135!*	42625	C-R	380065A>
425025	ADAMS	471787!	42534M1	C-R	416288!	42557	GARLK	415449!	42626	C-R	370030A
425025	LETN	471787!	4253541	ALLCH	472185!	4255839	ALLCH	471787!	42626	C-R	380065A
4250604	ALLCH	474281!	42536	C-R	456105	42558395	ALLCH	471787!	42627	C-R	370048A
425067	ADAMS	416107!	42536	FAIRB	456105	4255851	ALLCH	40389S	42627	C-R	370349A
425067	ADAMS	455073	42536	GARLK	471271!	425587	ALLCH	471424!	42627	C-R	380048A
425068	ADAMS	472185!	4253670	ALLCH	40370S	4255B	JN-MN	417602!	42627	C-R	386025A
425068	LETN	472185!	42536706	ALLCH	40370S	4256	C-R	240470	42627	C-R	386590A
425069	ADAMS	417357	4253690	ALLCH	473243	42560	C-R	416891!	4262B	JN-MN	471224!
425069	ADAMS	455192!	4253691	ALLCH	472636!	4256022	ALLCH	470530	42630	C-R	370065A
425076	O-M	481537	42536M1	C-R	456105	425607XX	TIMKE	42X56X7	42630	C-R	376590A%
4250832	ALLCH	415035!	4253764	ALLCH	415001!	425643	ADAMS	450593!	42630	C-R	380065A
4250832	ALLCH	415035	4253765	ALLCH	473231!	425643	LETN	450593!	42631	C-R	370065A
4250833	ALLCH	473228	4253769	ALLCH	455583N!	425643	WABCO	450593!	42631	C-R	415058
4250B	JN-MN	473227	4253781	ALLCH	417171!	42565	C-R	416891!	42632	GARLK	415483
4251	C-R	472810!	4253792	ALLCH	55141	42568	C-R	416135!	42635	C-R	417518
4251203	ALLCH	410308!	42538	C-R	476470	42569	C-R	416135!	4263B	JN-MN	471763
4251705	ALLCH	472409!	42538	GR-DV	476470	42569	GARLK	416273	42640	TROS	470354
4251784	ALLCH	472012	4253838	ALLCH	415001!	42570	C-R	416135!	42644	C-R	415058*
4251862	ALLCH	471341!	42538M1	C-R	476470	42571	C-R	416135!	42644	GARLK	415458!
42518621	ALLCH	471341!	4253930	ALLCH	472234	42573	C-R	415045!*	4264B	JN-MN	471760*
42518S	NATL	312518!	4253982	ALLCH	472287!	425748	WHITE	417316!	42650	C-R	415058
42518S	NATL	342518	42539825	ALLCH	472287!	42575	C-R	416891!	426510XX	TIMKE	42X65X10
4251D	GOODM	417278	4253999	ALLCH	455336	42576	C-R	415045!	426512	ADAMS	417356!
4251F	GOODM	417278	4253M1	C-R	417487	425807XX	TIMKE	42X58X7	426512	ADAMS	455188
42520	MID	471689!	4254	C-R	472810!	425824	ADAMS	471821!	426512	LETN	417356!
42520	MID-R	471689!	4254026	ALLCH	473473	425824	LETN	471821!	426512	LETN	455188
42520001	IVECO	713097	4254050	ALLCH	471570!	42591	CHRYSL	471354!	426513	ADAMS	471570!
42521	MID	471649!	42540690	ALLCH	415027!	425931	MC-CL	472287!	426513	LETN	471570!
42521	MID-R	471649!	42540690	ALLCH	415027	4259OS	JN-MN	472492!	426514	ADAMS	472394
4252117	ALLCH	415379!	4254079	ALLCH	471787!	425CHA38	C-R	476470!	426514	WABCO	472394
4252117	ALLCH	415379	42541	C-R	416891!	425CHA38	C-R	476470	426515	ADAMS	416271!
4252153	ALLCH	417316!	4254101	ALLCH	473010	425F38	C-R	476470!	426515	LETN	416271!
4252154	ALLCH	411376!	42541011	ALLCH	473010	425F38	C-R	476470	42656	GARLK	417343!
4252177	ALLCH	415379!	4254104	ALLCH	473010	425FM38	C-R	476470!	426575	UNIVE	455251H*
4252177	ALLCH	415379	4254122	ALLCH	470606!	425FM38	C-R	476470	4265B	JN-MN	417351!
425224	C-R	416282	4254152	ALLCH	470898	425N224T-8	C-R	416282*	426600	MICH	416163
42523	IH	471827!	4254177	ALLCH	471413	425N230	C-R	475348N	426600	UNIVE	416163
42523TB	TRSCM	472157	42541771	ALLCH	471413	425N3	C-R	417487!	426625	MICH	456890
4252491	ALLCH	473475	42542	C-R	416891!	425N3	C-R	417487	426625	UNIVE	456890
42524SB	TRSCM	472157	4254227	ALLCH	40301S	425R	TIMKE	425PKG	4266B	JN-MN	415711*
4252612	ALLCH	471192	4254228	ALLCH	415458!	425W224	C-R	416282	42670	C-R	415058
4252649	ALLCH	472287!	4254269	ALLCH	470954!	425W24-L	C-R	6180=	42671	C-R	415058
4252796	ALLCH	425RRR	4254277	ALLCH	471413	425W3	C-R	417487	42672	C-R	415058
42528	C-R	416891!*	42543	C-R	416891!	425W310	C-R	416292	42673	C-R	416158
4252815	ALLCH	472179	4254341	ALLCH	40973S	425W314	C-R	418029!	4267B	JN-MN	327303!
4252825	ALLCH	472636!	42544	C-R	416891!	425W34	C-R	416288!	4268	DURA	450039
4252849	ALLCH	472258!	42545	C-R	416891!	425W34-M1	C-R	416288!	426808XX	TIMKE	42X68X8
4252F	GOODM	415645!	4254544	ALLCH	416339	425W36	C-R	456105	426810XX	TIMKE	42X68X10
4252F	GOODM	455104	42546	C-R	416891!	425W38	C-R	476470	42683	GARLK	416664!
4253	C-R	417487	4254670	ALLCH	471787!	425W38-M1	C-R	476470	426834-C1	IH	HU065A
4253052	ALLCH	416271!	42548	GARLK	470605!	4260	C-R	472810!	4268B	JN-MN	417349*
42530527	ALLCH	416271!	4254838	ALLCH	472636!	426007XX	TIMKE	42X60X7	4269	SPG	5667
425310	C-R	416292	4254874	ALLCH	473228!	4261	C-R	472810!	4269057	CHRYSL	331228H
4253106	ALLCH	424	4254875	ALLCH	471649!	42612	C-R	55333=	4269183	CHRYSL	3173
425312	C-R	416294!	4254912	ALLCH	470530!	42615	AMC	50327	4269183	CHRYSL	710928
4253124	ALLCH	450457	4254932	ALLCH	40389S	42616	C-R	416137	42698	GARLK	415984!
425312M1	C-R	416294!	4254936	ALLCH	472258	42617	C-R	457661V=	4269956	CHRYSL	710058

! Industrial Size/Type * Minor Width Difference > Hub Mount % Spindle Mount = Call 1-800-480-1212 for price and delivery.

NUMERICAL

Zero Duplication or Recommended		Zero Duplication or Recommended		Zero Duplication or Recommended		Zero Duplication or Recommended	
Mfr. No.	Name	Mfr. No.	Name	Mfr. No.	Name	Mfr. No.	Name
4269B	JN-MN	55155	=	4288B	JN-MN	473228	
4269BX	SPG	417505		4289B	JN-MN	412473	!
4269BX	SPG	5667		428R	TIMKE	428PKG	
426R	TIMKE	426PKG		429-2979	STEM	417484	!
4270	C-R	50199S		4290B	JN-MN	456105	*
4270	C-R	6863S		4291V	TIMKE	4291V	
4270	SPG	224560		42933205	TROS	9339S	
4270	SPG	45X68X7	!	42940D	IH	471733	!
427010XX	TIMKE	42X70X10		4295904	CHRY5	3459	
4270B	JN-MN	417343	!	4297B	JN-MN	417316	!
4271	C-R	50199S		4298	DICO	203015	
4271	C-R	6863S		4298S	SPG	722109	
42710	GARLK	417316	!	429932	ADAMS	416888	!
427112	WHITE	417344	!	429932	LETN	416888	!
42719	GARLK	415960		429972	ADAMS	473228	!
427208XX	TIMKE	42X72X8		429972	LETN	473228	!
427210XX	TIMKE	42X72X10		429972	WABCO	473228	!
427290	ADAMS	473228		429R	TIMKE	429PKG	
427290	LETN	473228		42E29X60777	FWD	473462	
4273275	CHRY5	3638		42E3Y393	FWD	471141	!
427394	WHITE	472164	!	42E3Y569	FWD	472409	!
4273S	SPG	55103S		42E7Y1039	FWD	473215	!
427424-R92	IH	370001A		42E7Y1040	FWD	450593	!
42746D	IH	471442	!	42N1568	WGEAR	240009	
4274B	JN-MN	472012	*	42X51514A	JOHND	340787	
427552R91	IH	370001A		42X51927A	JOHND	481181	!
427553R91	IH	HU066A		42X53103A	JOHND	240733	
427554R1	IH	730016		42X55X7ASN	ISP	42X55X7	
4275B	JN-MN	455026		42X55X8SC	TRSCM	42X55X8	!
42763	TIMKE	42763		42X55X8TC	TRSCM	42X55X8	!
42770	GARLK	415303	!	42X56916A	JOHND	471267	!
4277B	JN-MN	416077		42X56X7SC	TRSCM	42X56X7	!
4278	TIMKE	4278		42X56X7TC	TRSCM	224220	
42780	HYST	472636	!	42X56X7TC	TRSCM	42X56X7	!
42782	GARLK	417344	!	42X56X8SB	TRSCM	473573	
42791	GARLK	417158	!	42X58X7SC	TRSCM	42X58X7	!
4279M	BRAD	471554	!	42X58X7TC	TRSCM	42X58X7	!
427R	TIMKE	427PKG		42X60X7SC	TRSCM	42X60X7	!
4280	C-R	50199S		42X60X7TC	TRSCM	42X60X7	!
4280	C-R	6863S		42X60X8SB	TRSCM	1953	
42800	C-R	370030A		42X62X8SC	TRSCM	42X62X8	
42800	C-R	370338A		42X62X8TC	TRSCM	42X62X8	
428008XX	TIMKE	42X80X8		42X65X10SC	TRSCM	42X65X10	!
428010XX	TIMKE	42X80X10		42X65X10TC	TRSCM	42X65X10	!
428119C91	IH	370023A		42X68X10	SIMRT	42X68X10	
42812	GARLK	416921	!	42X68X10SC	TRSCM	42X68X10	
4281B	JN-MN	472299		42X68X10TC	TRSCM	42X68X10	
428455C91	IH	370003A		42X68X8SC	TRSCM	42X68X8	
42847	KELSE	416297		42X68X8TC	TRSCM	42X68X8	
428472	ADAMS	415938		42X70X10SC	TRSCM	42X70X10	
428472	LETN	415938		42X70X10TC	TRSCM	42X70X10	
428472	WABCO	415938		42X72X10SC	TRSCM	42X72X10	
428489	ADAMS	417196	!	42X72X10TC	TRSCM	42X72X10	
428489	LETN	417196	!	42X72X8ASN	ISP	42X72X8	
428600	MICH	416167	!	42X80X10SC	TRSCM	42X80X10	
428600	UNIVE	416167	!	42X80X10TC	TRSCM	42X80X10	
428613	MICH	417267		42X80X8SC	TRSCM	42X80X8	
428625	MICH	417269	!	42X80X8TC	TRSCM	42X80X8	
428625	UNIVE	417269	!	43	GARLK	320457	
42867	SPICE	710389		43000	BLUE	412920	
42867	VIC	710389		43000	TROS	471526	!
4286B	JN-MN	416666		43000239	AMC	470547	
42875	HYST	455308		4300121	FULLE	710211	
4287B	JN-MN	450129		43001S	TROS	473215	!
4287B	JN-MN	472826	!	43002	TROS	410059	
428806	ADAMS	415991		43002	TROS	470380	!
428806	ADAMS	455146	!	4300204	FULLE	473454	
428806	LETN	415991		430032	CATER	417349	!
428806	LETN	455146	!	43003S	TROS	410059	
428806	WABCO	415991		43003S	TROS	470380	!
428806	WABCO	455146	!	43006	TROS	473228	!
42884	HYST	473448		43007	TROS	472185	!
430082A	SPG	712127		430082A	SPG	712127	
43008S	TROS	472439		43008S	TROS	472439	
43009	GARLK	417349	!	43009	GARLK	417349	!
43009	TROS	472924	!	43009	TROS	472924	!
4300B	JN-MN	415035		4300B	JN-MN	415035	
4300D5	WHITE	410737	!	4300D5	WHITE	410737	!
43011	TROS	470530	!	43011	TROS	470530	!
4301106	ALLCH	418028		4301106	ALLCH	418028	
4301106	ALLCH	455137	!	4301106	ALLCH	455137	!
43012	TROS	473464		43012	TROS	473464	
43013	TROS	412119	!	43013	TROS	412119	!
430131A	SPG	712128		430131A	SPG	712128	
43014	TROS	473467	!	43014	TROS	473467	!
4301461	ALLCH	471137		4301461	ALLCH	471137	
43015	DANA	472258		43015	DANA	472258	
43015	TROS	471224	!	43015	TROS	471224	!
4301537	ALLCH	471763		4301537	ALLCH	471763	
43015379	ALLCH	471763		43015379	ALLCH	471763	
43016S	TROS	472409		43016S	TROS	472409	
43018	GARLK	417350	!	43018	GARLK	417350	!
43018	TROS	412920	!	43018	TROS	412920	!
43019	TROS	471192		43019	TROS	471192	
4302	NATL	710067		4302	NATL	710067	
43020S	TROS	470625	!	43020S	TROS	470625	!
43021	TROS	470954	!	43021	TROS	470954	!
430218A	SPG	471267		430218A	SPG	471267	
430218N	SPG	471267		430218N	SPG	471267	
43022	TROS	472287	!	43022	TROS	472287	!
430220A	SPG	712129		430220A	SPG	712129	
4302452	ALLCH	450040		4302452	ALLCH	450040	
43024S	TROS	471763		43024S	TROS	471763	
43025	TROS	471765	!	43025	TROS	471765	!
43026S	TROS	471766	!	43026S	TROS	471766	!
43027	TROS	471801	!	43027	TROS	471801	!
43028S	TROS	473016	!	43028S	TROS	473016	!
430298	ALLCH	470380	!	430298	ALLCH	470380	!
43030	TROS	472179		43030	TROS	472179	
430304	ALLCH	472572	!	430304	ALLCH	472572	!
430305	ALLCH	416125	!	430305	ALLCH	416125	!
430306	ALLCH	473258		430306	ALLCH	473258	
430307	ALLCH	472258	!	430307	ALLCH	472258	!
43032	TROS	471649		43032	TROS	471649	
43033	GARLK	415995	!	43033	GARLK	415995	!
43033	GARLK	415995	!	43033	GARLK	415995	!
43034	TROS	470712	!	43034	TROS	470712	!
43034S	TIMKE	43034S		43034S	TIMKE	43034S	
43035	TROS	473466		43035	TROS	473466	
43036	TROS	473235	!	43036	TROS	473235	!
43039	TROS	472636	!	43039	TROS	472636	!
43040	TROS	412040		43040	TROS	412040	
4304084	ALLCH	471570	!	4304084	ALLCH	471570	!
430413R91	IH	471504		430413R91	IH	471504	
43042	GARLK	417351	!	43042	GARLK	417351	!
43043S	TROS	410496	!	43043S	TROS	410496	!
43044	TROS	471689	!	43044	TROS	471689	!
43045S	TROS	471442	!	43045S	TROS	471442	!
43046S	TROS	471827		43046S	TROS	471827	
43047S	TROS	410708		43047S	TROS	410708	
43048	TROS	471829		43048	TROS	471829	
43050	C-R	455197N		43050	C-R	455197N	
43051	C-R	455197N		43051	C-R	455197N	
43051S	TROS	471344		43051S	TROS	471344	
43054S	TROS	476470	!	43054S	TROS	476470	!
43054S	TROS	476470	!	43054S	TROS	476470	!
43055	TROS	415458	!	43055	TROS	415458	!
43055	VIC	5M89		43055	VIC	5M89	
4305534	ALLCH	471554	!	4305534	ALLCH	471554	!
43056	TROS	417316	!	43056	TROS	417316	!
43057	TROS	417344	!	43057	TROS	417344	!
4305798	ALLCH	415023		4305798	ALLCH	415023	
43058	TROS	415960		43058	TROS	415960	
430600	ALLCH	487945		430600	ALLCH	487945	
430600	MICH	417539	!	430600	MICH	417539	!
430600	UNIVE	417539	!	430600	UNIVE	417539	!
43060S	TROS	415995	!	43060S	TROS	415995	!
430625	MICH	417273		430625	MICH	417273	

Zero Duplication or Recommended			Zero Duplication or Recommended			Zero Duplication or Recommended			Zero Duplication or Recommended			
Mfr. No.	Name	Industrial	Mfr. No.	Name	Industrial	Mfr. No.	Name	Industrial	Mfr. No.	Name	Industrial	
43107	TROS	417316!	43158	TROS	416921!	43231610	TROS	418028	4328B	JN-MN	455330!*	
4310986	ALLCH	471466!	43159S	TROS	416654	43231610	TROS	455137!	43290S	TIMKE	43290S	
43109S	TIMKE	43109S	4315B	JN-MN	415025*	43232007.5	TROS	415085!	43291	TROS	45187S	
4311035	WOOL	455022	43160	TROS	415995!	43232007.5	TROS	456648	43293	TROS	45525S	
431106	ALLCH	418028	43160	TROS	415995!	43232010	TROS	415085!	43294	TROS	45031S	
431106	ALLCH	455137!	431616R91	IH	370021A	43232010	TROS	456648	43295	TROS	45825S	
43110S	TROS	416288!	431616R92	IH	370021A	43232410	TROS	417191	43296	TROS	45827S	
4311125	ALLCH	474281!	431619R91	IH	370036A	43232410	TROS	456585	43297S	TROS	470565!	
431113	TROS	415072	431619R91	NAVST	370349A	43233207	TROS	415991	43298S	TROS	417563	
4311323	ALLCH	416332!	43161S	TROS	416288	43233207	TROS	415991!	43299S	TROS	475348N	
43113232	ALLCH	416332!	431620R92	IH	HU009A	43233207.5	TROS	415991!	432A31207.5	TROS	455336	
43114	TROS	416229	431621R2	IH	733067	43233207.5	TROS	415991	432A31607.5	TROS	418028	
43115S	TROS	415449!	43162S	TROS	476470	43233207C	TROS	415991	432A31607.5	TROS	455137!	
43116	GARLK	416288!	43162S	TROS	476470!	43233207C	TROS	415991!	432A31609.5	TROS	415137!	
43116	TROS	417621!	4316315R1	IH	2261	43233209	TROS	415991!	432A31609.5	TROS	418028	
43117	TROS	417181!	4316316R1	IH	2261	43233209	TROS	415991	432A32007.5	TROS	415085!	
43119	TROS	415991!	43164	TROS	415035	43233210	TROS	415991	432A32007.5	TROS	456648	
43119	TROS	415991	43167	TROS	416865!	43233210	TROS	455146!	432A32407.5	TROS	417191	
431194C91	IH	473243	43168	TROS	416239!	43233213	TROS	415991	432A32407.5	TROS	455165!	
4312	C-R	50199S	43169S	TROS	416271!	43233213	TROS	415991!	432A33207.5	TROS	415991	
4312	C-R	6863S	4316B	JN-MN	450765!	43234	TROS	40208	432A33207.5	TROS	455146!	
43121	TROS	417191	43170	TROS	416282	43234408	TROS	416919	432B31606.5	TROS	418028	
43123	TROS	415960	43170	VIC	5M867	43235	TROS	471647	432R	TIMKE	432PKG	
43124	TROS	471554!	43171	TROS	417602!	43236	GARLK	417181!	433	CARVR	471766!	
43125	TROS	473215!	43173	TROS	415137!	43237	TROS	471689	43300	C-R	110X130X12V	
43127	TROS	473367	43173	TROS	418028	43239	OLIVE	418028	433001	LIMA	451583!	
43128	TLSMI	415645!	43174S	TROS	415146!	43239	OLIVE	455137!	433003	LIMA	480821!	
43128	TLSMI	455104	43174S	TROS	415991	43239	TROS	40286	43301	C-R	110X130X12V	
43128	TROS	473228!	43175	TROS	415449!	43241	TROS	40301S	4330186	ALLCH	473228	
43129	TROS	473232!	43176	TROS	417343!	43242	TROS	40316S	43303	C-R	2261	
43130	C-R	417520	43177	TROS	5578	43243	TROS	240319	43304	TROS	471750!	
43130	TROS	472185!	43178	TROS	417171!	43244	TROS	40328	43308D	IH	472287!	
43131	C-R	417520	43179	TROS	417181!	43245	TROS	40337S	43309	TROS	471391!	
43132	TROS	470530!	43180	TROS	412473!	432452	ALLCH	450040	4330B	JN-MN	471649!	
43133	TROS	411253!	43184	TROS	416706	43248	TROS	40360S!	43310	C-R	110X130X12	
43134	TROS	412119	43185	TROS	417484!	43249	TROS	40370S	43311	C-R	2261	
43135	TROS	471192	43186S	TROS	417159	43250	TROS	40973S	43311	TROS	471267!	
43137	TROS	471766!	43189	TROS	410825	43251	TROS	474276	4331142	ALLCH	476838!	
43138	TROS	472179	4319	WOODB	415458!	43251	VIC	5MR1008	43313S	TROS	471984	
43139	TROS	473179!	43190	TROS	415437	43252	M0200	CEW	1128	43317	TROS	415036
4313B	JN-MN	415036*	43194	SPG	43194	43253	TROS	40389S	43317R	DIA	474278!	
43140	TROS	472394	43194	TROS	416394	43254	TROS	472354!	43318	TROS	417343!	
43141	C-R	55611=	43196	TROS	8996S=	43255	TROS	417267	4331846	ALLCH	470059	
43141	TROS	472397!	43198	TROS	471264	43256	TROS	42352S	4331846	ALLCH	470380!	
43142S	TROS	472015!	431R	TIMKE	431PKG	43257S	TROS	40401	4331983	ALLCH	417484!	
43143	GARLK	417171!	4320	C-R	50199S	43259	TROS	351487	433202A	LIMA	472394	
43143	TROS	410308	4320	C-R	6863S	43260S	TROS	40433S	433204A	LIMA	470774!	
43145	TROS	472636!	43200	C-R	417238	43261S	TROS	471647	43320S	TROS	415192N	
43146	SPICE	417158!	43201	C-R	417238	43262	TROS	40468	43322S	TROS	417349	
43146	TROS	472164!	43203	TROS	471554	43263	TROS	442380	43324S	TROS	415899N	
431461	ALLCH	471137	43205	TROS	473213!	43264	TROS	40520S	43324S	TROS	416624	
43147	C-R	416144	43206	TROS	43089S	43267S	TROS	40555	43325	C-R	110X135X12	
43148	TROS	470898	43207	TROS	40059S	43267S	TROS	40555S!	43327	C-R	110X135X13!*	
43149	TROS	472492!	432079C1	IH	473444	43269	TROS	40566S	43328	C-R	455310	
4314976	FIAT	710359	43208	TROS	7886S	43269S	TROS	40555	43331	TROS	472924!	
4314B	JN-MN	417487	43211	TROS	472185!	43269S	TROS	40555S!	43338	C-R	110X140X12V	
4315	C-R	50199S	43212	TROS	40071S	4327	C-R	11X17X4	4333N	TIMKE	4333N	
4315	C-R	6863S	43214	TROS	40085S	43270	TROS	40568S	43340	C-R	110X140X12!	
4315	SKIL	50209	43215	TROS	40101S	43272	TROS	40627S=	43340	C-R	110X140X13!*	
43150	TROS	473227!	43218	TROS	240119	43274	TROS	471737=	43340	C-R	231108	
43151	C-R	416144	43219	TROS	471224	43275	GARLK	417353!	43340	TROS	481537	
43151	TROS	471271!	43220	TROS	471413	43276	TROS	40769S	43340	VIC	5M559	
43152	C-R	416144	43221	TROS	470954	43278	TROS	340787	433407A	LIMA	472299	
43153	TROS	415001!	43224	TROS	417160	43279D	IH	450065	43341	C-R	110X140X12	
431537	ALLCH	471763	43225	TROS	471763	43280	TROS	41013S	43341	TROS	45653S	
43154	SPICE	710241	43226	TROS	471766	432802C91	IH	331227H	43342	C-R	110X140X12	
43154	TROS	415458!	43228	TROS	40169S	43281D	IH	450260	43343	C-R	110X140X12	
431543	WHITE	455336	43229	TROS	40183S!	43282	TROS	41075S	43343S	TROS	417316!	
43155	TROS	417316!	43230	TROS	471571	43283	TROS	46997S	4335	C-R	11X22X7!	
43156	TROS	417344!	43230807.5	TROS	417172	43283D	IH	473467	4335	C-R	221122	
4315694	ALLCH	415234!	43231607.5	TROS	418028	43284	TROS	43086S	4335255	ALLCH	415938	
43157	TROS	415960	43231607.5	TROS	455137!	43285	TROS	45013S	43355	C-R	110X145X12	

! Industrial Size/Type * Minor Width Difference = Call 1-800-480-1212 for price and delivery.

NUMERICAL

Zero Duplication or Recommended Industrial		Zero Duplication or Recommended Industrial		Zero Duplication or Recommended Industrial		Zero Duplication or Recommended Industrial	
Mfr. No.	Name	Mfr. No.	Name	Mfr. No.	Name	Mfr. No.	Name
43355	C-R 110X145X13	435013N	SPG 415995!	4369005	ALLCH 474252	4379747	ALLCH 471649!
43356	GMC 6703S	43502S	TROS 473179	43691	C-R 416380!*	4379960	ALLCH 415001!
43359D	IH 416738!	4350319	ALLCH 472394	4369324	ALLCH 413246	4379B	JN-MN 472354!
43359D	IH 450096	43504	SPICE 4525V	436A38	C-R 417181!	437B34	C-R 417171!
433602A	LIMA 470898	43509D	IH 471192	436B38	C-R 417181!	437R	TIMKE 437PKG
433603A	LIMA 411376!	435101N	SPG 416282	436BM312	C-R 412473!	437W3	C-R 417488!
43364	GARLK 412473!	4351142	ALLCH 476838!	436C312	C-R 412473!	437W310	C-R 417491
43370	C-R 110X150X12!	4351188	ALLCH 471341!	436D5	WHITE 470059	437W312	C-R 412473!
43370	C-R 110X150X15	4351731	ALLCH 471820	436D5	WHITE 470380!	437W312-M1	C-R 412473!
433708	WHITE 416125!	4353	C-R 6863S!	436F312	C-R 412473!	437W34	C-R 417171!
433759	WHITE 455614	4353	TIMKE 4353	436FM312	C-R 412473!	437W34-M1	C-R 417171!
43381	GMC 472179	435316	C-R 55309!*	436H312	C-R 412473!	437W36	C-R 417490
43385	C-R 110X155X15*	435316M1	C-R 416624!	436R	TIMKE 436PKG	437W38	C-R 417181!
4338553	CHRY5 710502	43535POSA	TRSCM 7354N	436W3-M1	C-R 417488!*	437W38-M1	C-R 417181!
4338655	AMC 473235	4353982	ALLCH 472287!	43700	C-R 415196!	43800	C-R AR10+370020A
43387	SPICE 710388	4353VG3	SPG 4353	43701A	C-R 6906S	43800D	IH 471224!
43387	VIC 710388	43543A	HYST 323138!	4370359	ALLCH 417354!	43800DA	IH 471224!
4338893	CHRY5 710046	4355	C-R 50199S	4370419	ALLCH 471763	438031	WHITE 471103!
4338968	CHRY5 472572	4355	C-R 6863S	4370N	TIMKE 4370N	4380B	JN-MN 415303!*
4338993	CHRY5 710046	435508XX	TIMKE 43X55X8	43714	C-R 416147	43810	C-R 417522
4338B	JN-MN 416738!	435534	ALLCH 471554!	4371692	ALLCH 473214!	43811	C-R 417522
4338B	JN-MN 450096	43554SA	TRSCM 416380	43716927	ALLCH 473214!	43820	C-R 415060*
43390	C-R 110X160X15*	43554SA	TRSCM 455198	43721	GARLK 417211!	43820	WHITE 415025
43394	GARLK 417354!	4355645	ALLCH 472394	437212	C-R 455650=	43838	GEHL 470088
4339B	JN-MN 450275	4355646	ALLCH 471271!	437228	C-R 455556	43839	GEHL 471192
433R	TIMKE 433PKG	4355648	ALLCH 471271!	43722D	IH 415001!	4384188	CHRY5 9316
434	CARVR 471766!	4356591	ALLCH 240119	4373	C-R 417488!	438454-R92	IH 370001A
4340	C-R 50199S	43568	GARLK 416332!	4373014	ALLCH 455583N!	43850	C-R 415060
4340	C-R 6863S	4356B	JN-MN 416271!*	437310	C-R 417491	43850	C-R 455060
43401	TROS 8460N	435798	ALLCH 415023	437310M1	C-R 417491	43860	C-R 370019A
434049	WHITE 50501	43580	GARLK 415937!	437312	C-R 412473!	43861	C-R 370019A
4340655	ALLCH 471570!	435805	WHITE 450065	437312M1	C-R 412473!	43865	C-R 370019A
434084	ALLCH 471570!	43592-65D00	SUZUK 710522	437315	C-R 55309=	4386879	ALLCH 471649!
4340B	JN-MN 472397!	4359V	TIMKE 4359V	43733	GARLK 416345!	43875	C-R 370034A
4341209	ALLCH 417621!	435F220	C-R 5971	43734	C-R 417171!	4387605	ALLCH 471688=
4341925	ALLCH 240385	435R	TIMKE 435PKG	43734M1	C-R 417171!	438R	TIMKE 438PKG
434241	WHITE 471689!	43601	GARLK 417355!	437359	ALLCH 417354!	4390	C-R 474277*
43430-60810	SUZUK 4904	4360255	ALLCH 473419	43736	C-R 417490	4390	C-R 474277
43431-50G00	SUZUK 710394	4360256	ALLCH 474264	43736M1	C-R 417490	4390171	ALLCH 455583N=
43431-50G10	SUZUK 710394	4360B	JN-MN 415088!	43738	C-R 417181!	4391019	ALLCH 471472!
43431-60820	SUZUK 4904	4360B	JN-MN 415088	43738M1	C-R 417181!	43915	VIC 5M497
43431-60B20	SUZUK 1188	4360LPD	JN-MN 415088	4373M1	C-R 417488!	4393969	ALLCH J1838*=
43431-60G00	SUZUK 710394	4360LUP	JN-MN 415088	43745	GARLK 415697!	4394689	ALLCH 77322V=
43431L	C-R 55276=	43613	GARLK 416125!	4374B	JN-MN 451143	43950	KELSE 203025
4343903	CHRY5 4462N	4361B	JN-MN 470334!	43750	C-R 415047	4395B	JN-MN 415150!*
43442D	IH 40071S	4362642	ALLCH 455583N!	43751	C-R 415047*	43964D	IH 415458
4344631	SPICE 415437!	43630819.25	TROS 5751	43752	C-R 370037A>	4397500	TAYLR 410308!
4344663	ALLCH 473448	436312	C-R 412473!	43752	C-R 370338A%	4397500	TAYLR 473468
4345	C-R 11X26X7	436316	C-R 55309!*	43753	C-R 370037A>	4397623	CHRY5 5650
43451	GMC 470712!	436316M1	C-R 416624!	43753	C-R 370338A%	4397712	CHRY5 5414
4345207	ALLCH 417344!	43644	RENAU 224045	43754	C-R 370037A	4397B	JN-MN 417196!
4345B	JN-MN 55692=	43644	RENAU 40X62X12!	43754	C-R 370338A	43995	VIC 5M466
43460	GARLK 416624!	4364411	ALLCH 471539!	43754	C-R 380048A	4399B	JN-MN 473232
4346231	ALLCH 415938	436449-R91	IH 370023A	4375625	ALLCH 455583N!	4399T2	WHITE 415988
43463D	IH 200640	43646	GARLK 416041	4376	AT SU 471766	439R	TIMKE 439PKG
4346686	ALLCH 450639	43650	C-R 415425*	4376	SPG 717006	43G	OSHO 455008
434686C1	IH 352637	436508XX	TIMKE 43X65X8	43761	C-R 370173A	43X55X8SC	TRSCM 43X55X8
43473	ALLCH 473205	4365282	ALLCH 471649!	43761	C-R 380036A	43X55X8TC	TRSCM 43X55X8
4347933	ALLCH 415001!	43660D	IH 472287!	43762	C-R 380048A	43X65X8SC	TRSCM 43X65X8
4348	C-R 11X30X7	43667	GARLK 417205!	43763	C-R 380048A	43X65X8TC	TRSCM 43X65X8
434877R91	IH 417254	43670	C-R 415196!	43763	GARLK 417366!	44000	C-R 328039
434878R91	IH 417254	43671	C-R 415196!	43764	C-R 370048A	440001	WAYNE 471554!
4348B	JN-MN 417533	4367238	ALLCH 470596	43764	C-R 380048A	44001	TROS 474277
4349736	ALLCH 472234	4367592	ALLCH 472397!	4376B	JN-MN 471652*	44001	VIC 471195!
43499	GARLK 417196!	43675925	ALLCH 472397!	43771	C-R 416149	440012	WAYNE 471730
4349B	JN-MN 415995!	43682	GARLK 416339	43772	C-R 416149	44002	TROS 470004!
434R	TIMKE 434PKG	4368323	ALLCH 471472!	4377B	JN-MN 55155!*	44004	TROS 471530
4350	C-R 50199S	4368324	ALLCH 413246	4378510	ALLCH 455583N!	44005	TROS 471281!
4350	C-R 6863S	4368578	ALLCH 474254!	43793	C-R 6635S	44006	TROS 471532
43500	VIC 5MR1009	4368B	JN-MN 415082	43795	C-R 6635S	44007	VIC 470712!
435012N	SPG 416654	43690	C-R 415196!*	43795	C-R JV1210=	440070	SPG 472185!
		4369005	ALLCH 472951	43797	AMC 6356	44008	TROS 471646!

! Industrial Size/Type * Minor Width Difference > Hub Mount % Spindle Mount = Call 1-800-480-1212 for price and delivery.

Zero Duplication or Recommended		Zero Duplication or Recommended		Zero Duplication or Recommended		Zero Duplication or Recommended					
Mfr. No.	Name	Industrial	Mfr. No.	Name	Industrial	Mfr. No.	Name				
44008	VIC	330385!	440511	TIMKE	440511	44093	TROS	450090	44147	VIC	1020
44009S	TROS	471466!	44052	TIMKE	44052	44094	VIC	471827	44148	TROS	471750!
4400RX	SPG	4400=	44052	TROS	450054	44095	TROS	473458!	44148	VIC	472258
44010	C-R	112X135X15*	44053	TIMKE	44053	44096	VIC	1091=	44149	TROS	472560N!
44010	TROS	50010	44053	TROS	473215!	44097	TROS	473462	44150	TROS	473205
44011	VIC	330385!	44054	TROS	471354!	440972	TIMKE	440972	44151	TROS	472287!
44013	TROS	471472!	44054	VIC	472164!	44098	TROS	473464!	441515C1	IH	472635
440131	TIMKE	440131	44054S	TROS	473215!	44098	TROS	473464	44152	TROS	473234
440132	SPG	412920	44055	GARLK	417357	44099	TROS	416738!	44152	VIC	472572!
44014	TROS	471535!	44056	TROS	473225!	44099	TROS	450096	44153	TROS	473447
44014	VIC	1062=	44057	TROS	473438	44099B	JN-MN	471765!	44154	TROS	350156
440148SS	SPG	440148	44057	VIC	471192	440R	TIMKE	440PKG	44154	TROS	473096
44016	VIC	2551	44058	TROS	470059	440RC	SUL	415035!	44155	TROS	471760
44018	TROS	471549!	44058	TROS	470380!	440RC	SUL	415035	44156S	TROS	471760
44018	VIC	224045	44059	TROS	470059	44100	TROS	413469!	44157	TROS	471762!
44018	VIC	40X62X12!	44059	TROS	470380!	44101	TROS	412943	44158	TROS	450159
4401RX	SPG	4401=	44059S	TROS	470059	44102	TROS	411253!	44158	VIC	471787!
44020	TROS	471551!	44059S	TROS	470380!	44102	VIC	472492!	44159	TROS	471763
44020	VIC	1097N	44061	TROS	470950!	44103	TROS	410694!	44159S	WHITE	412473!
44021	TROS	471558	44061	TROS	6241S	44104	TROS	412119!	4415B	JN-MN	415379
44022	TROS	471255!	44062	TROS	474264	44105	TROS	410102	4415B	JN-MN	415379!
44022	VIC	1094=	44063	TROS	471820	44106	TROS	410987!	44160	TROS	471764!
44023	TROS	471553!	44064	TROS	471821!	44107	TROS	450104	44161	TROS	471765!
44024	TROS	50026	44065	TROS	450065	44108	TROS	414045!	44162	TROS	471766!
44024	VIC	222510	44066	TROS	473367!	4410B	JN-MN	471571*	44163S	TROS	471766!
44024	VIC	25X35X7!	44066	TROS	473367	44110	TROS	473471	44164	TROS	473424!
44025	TROS	471554!	44067S	TROS	473367!	4411035	WOOL	417604	44165	TROS	450165
44025	VIC	1097N	44067S	TROS	473367	44112	TROS	473441	44165	TROS	471801!
44026S	TIMKE	473235	44068S	TROS	473228	441130	TIMKE	441130	44166	TROS	473212!
44026S	TROS	471554!	44069	TROS	450068	441130S	WMG	441130	44168	TROS	473214
44027	TROS	471567!	44069	VIC	1040=	44114	TROS	450111	4416B	JN-MN	470606!
44027	VIC	471737	4406B	JN-MN	415196!*	44116	TROS	473467	44170	TROS	473016!
44028	VIC	1163=	44070	TROS	473232	44116	VIC	1077=	44171	TROS	473016!
44028S	TROS	471567!	44071	VIC	472164!	44117	TROS	473450	44171S	TROS	473016!
44029	TROS	474253	44071S	TROS	473232	44118	TROS	472572!	44173	TROS	450177
4403	FULLE	472179	44072	TROS	472185!	44119	TROS	473449	44174	VIC	223005
44030	C-R	112X140X13	44073	TROS	472439	4411B	JN-MN	471231!	44174	VIC	30X40X7!
44030	TROS	473414	44073	VIC	470898	44120	TROS	471442!	44174S	TROS	415146!
44030	VIC	472258!	44074	TROS	481864	44121S	TROS	471442!	44174S	TROS	415991
44030809	TROS	416297	44075	GARLK	461130!	44122	TROS	471224!	44175	TROS	473421
44030809.75	TROS	370046A	44075	TROS	450073	44123	TROS	472409!	44176	TROS	471747!
44031	TROS	471570!	44076	TROS	474265	44124	TROS	473437	44177	TROS	472179
44031207	TROS	6358	44076	VIC	224045	44124	VIC	226020	44178S	TROS	472179
44031608	TROS	417353!	44076	VIC	40X62X12!	44124	VIC	60X80X8!	44179	TROS	471571
44032	SPERY	204013	44077	TROS	50075=	4412475	CHRY	331228H	441790	WHITE	472015!
44032	TROS	450033	44078	TROS	470334!	44125	TROS	450124=	44180	TROS	473229
440324C1	IH	451143	44078	VIC	224045	4412522	CHRY	3459	44181	TROS	473236!
440324C2	IH	451143	44078	VIC	40X62X12!	4412522AB	CHRY	3459	44182	TROS	471619!
440325C1	IH	471413	44079	TROS	474281!	441260C91	IH	370150A	44183	TROS	450188
44033	TROS	474273	44080	TROS	473444	441260C91	IH	417158!	44184	TROS	471692!
44033009	TROS	2055	44081	VIC	1070=	44127	TROS	471735	44185	TROS	410190
44033210	TROS	417196!	44082	TROS	473446	4412836	CHRY	471539	441853	TIMKE	350936
44034	VIC	472299	44083	TROS	50081	44128S	TROS	450129	44186	TROS	50191
44034010	TROS	416332!	44084	TROS	473238	44128S	TROS	472826!	44187	TROS	473473
44035	GARLK	417356!	44085	TROS	472924!	44129	TROS	412920!	44189	TROS	473010
44035	TROS	473415	44085	VIC	1012	441298R91	IH	471267!	4418LA	JN-MN	470950!
44036	TROS	471137	44085	VIC	1012N	4412990	CHRY	472572	4418LA	JN-MN	6241S
44038	TROS	450039	44086	TROS	450084!	44130	TROS	450133	44190S	TROS	473010
44039	TROS	450040	44087	VIC	473238!	44131	TROS	471192	44192	TROS	471103!
44040S	TROS	450040	44087S	TROS	450084!	441319	TIMKE	441319	44193S	TROS	471103!
44041	TROS	450593!	44088	TROS	470530!	44132S	TROS	471192	44195	TROS	50199S!
44043	TROS	476838!	440883R91	IH	471267!	44133	TROS	470625!	44195	TROS	6863S!
44044	VIC	472492!	44089	TROS	470086	44134S	TROS	470625!	44196S	TROS	50199S!
44045	TROS	473426	4408B	JN-MN	451583!*	44135	TROS	471529	44196S	TROS	6863S!
44045S	TROS	473215!	44090	C-R	112X150X15*	44136	TROS	473459	44197	TROS	320457
44046	TROS	450048	44090	TROS	473313	44137S	TROS	473459	441989	WHITE	330385!
44047	TROS	471750!	44090S	SPG	4148	44138	TROS	472234	44199	TROS	472705!
44047	VIC	1035=	44090S	SPG	471424!	44142	TROS	473226	44199	VIC	2551
44048	TROS	470050	44091S	TROS	470088	44143	TROS	473460	441R	TIMKE	441PKG
44049	TROS	473427	44092	TROS	450089	44145	TROS	450147	441SZ70	MACK	5M466
44050	TROS	471354!	44092	VIC	224040	44146	TROS	473463	44200S	TROS	472705!
44051	TROS	473213!	44092	VIC	40X60X10!	44147	TROS	40769S	44201	TROS	481443!

! Industrial Size/Type * Minor Width Difference = Call 1-800-480-1212 for price and delivery.

NUMERICAL

Zero Duplication or Recommended		Zero Duplication or Recommended		Zero Duplication or Recommended		Zero Duplication or Recommended				
Mfr. No.	Name	Mfr. No.	Name	Mfr. No.	Name	Mfr. No.	Name			
44202S	TROS	481443!	44258	TROS	471868	44319S	TROS	471504!		
44203	TROS	471231!	44259	TROS	450273	44319S	9316	4439	SPG	224235
44204	TROS	471579	44263	TROS	450279	4431RR8	SPG	4439	SPG	42X58X7!
44205	VIC	471192	44266	TROS	473179!	4431VJ8	SPG	44390	TROS	471344
44206	VIC	70X90X10!	44267	TROS	450285	4431VJ8	SPG	44393	TROS	473445
44207	TROS	451583!	442671C1	IH	415027!	4431VJO	SPG	44394	TROS	323138!
44208S	TROS	451583!	442671C1	IH	415027	44320	C-R	44395	TROS	471818
44209	TROS	50209	44268	TROS	474274	44320	TROS	44396	GMC	471442!
442096	WHITE	471553!	44269	C-R	7354N	44321	C-R	44396	TROS	450482
44210	TROS	480210!	44271	TROS	470334!	44321S	TROS	44398	TROS	411330!
442109	TIMKE	412920	44271	TROS	50289	44322	TROS	4439	TIMKE	443PKG
44212	TROS	481644	44272	TROS	471141!	44323	TROS	44400	TROS	50490=
44212	VIC	1110	44273	TROS	473453	44324	TROS	44401	TROS	480491
442128	SPG	6815	44275	C-R	457295*	44325	TROS	444020	KEN	415027!
44213	TROS	471645	44275	TROS	472144!	44326S	TROS	444020	KEN	415027
44214	TROS	473414	44276	TROS	473239	44327	TROS	44403	TROS	472164!
44215	TROS	471646!	44277	C-R	457295	44328	TROS	44404	TROS	410496!
44216	TROS	471648	44277	TROS	472394	44329	TROS	444042	TIMKE	444042
44217	TROS	471649!	44278S	TROS	472394	44330	TROS	44405	TROS	450497=
442177	GMC	6270	44279	TROS	472397!	44331	TROS	44406	TROS	50501
44218	TROS	481650	44280	TROS	472012	44335	TROS	44407	TROS	474260
44219	TROS	471651	44281	TROS	472015!	44336	GMC	44408	TROS	450503=
44220	TROS	471684!	44282S	TROS	472015!	44336	TROS	44409	TROS	472843
44222	TROS	471686	44283	TROS	473457!	44337	TROS	44410S	TROS	472843
442224	SPG	40154S	44285	TROS	473461!	44338	TROS	444116	TIMKE	444116
44224	TROS	470590	44286	TROS	450307	44339	TROS	44412	TROS	470506!
442251	TIMKE	442251	442862	WHITE	450472!	44340	TROS	44413	TROS	50514
44226	TROS	472951	44287	TROS	410308!	44341	TROS	44415	TROS	450516
44226	TROS	474252	442874	TIMKE	442874	44342S	TROS	44417	TROS	471271!
44227	TROS	471688	44288	TROS	471391!	44344	TROS	44418	TROS	471272!
442270	NATL	412920	44289	TROS	473242	44345	TROS	44419S	TROS	471272!
44228	TROS	471689!	4428B	JN-MN	471820*	44346	TROS	44420	TROS	473423
44229S	TROS	471689!	4429	CLIN	471267!	44347S	TROS	44421S	TROS	473423
44230	TROS	471705!	44290	TROS	450311	44349	TROS	44422	TROS	472258!
44231	TROS	471705!	44291	TROS	472016	44349RR8	SPG	44423S	TROS	472258!
44231	VIC	471224!	44293	TROS	473245!	443508	WHITE	44424	TROS	450523
44232	TROS	471733	4429353	CHRY	39803	44351	TROS	44425	TROS	410524
44234	TROS	470712!	44294	TROS	472636!	44351	TROS	444258	TIMKE	474279N
44235S	TROS	470712!	4429410	CHRY	39805	44352	TROS	44426	TROS	471887
44236	TROS	471744!	44295	C-R	417525	44353	TROS	44427S	TROS	474276!
442369	WHITE	330385	44295	TROS	411394!	44354	TROS	44428	TROS	50528
44237	TROS	450342	44296	C-R	417525	44355	TROS	44429	TROS	450984
44237	VIC	1209	44297	GARLK	416891!	44356	TROS	44430	TROS	470530!
44238	TROS	471785!	44297	TROS	481163!	44358	TROS	44431	TROS	450532
442380	TIMKE	442380	44298	TROS	473475	44360	TROS	44432	TROS	450533
44239	TROS	471787!	44299	TROS	412040	44362	TROS	44432408	TROS	455249!
4423B	JN-MN	471766!	442R	TIMKE	442PKG	44363	TROS	44433	TROS	450535
44240	TROS	471795	44300	TROS	472029	44364	TROS	44433	TROS	471264!
4424059	CHRY	223801!	44301	TROS	413478	44366	TROS	44434	TROS	450536
44241	TROS	473211!	443018	TIMKE	443018	44367	TROS	44434	TROS	471535!
44242	TROS	473211!	44302	ALLCH	476838!	44368S	TROS	44436	TROS	414268!
44243	TROS	473436	44303	SPICE	418028	44369	TROS	44438	TROS	471689!
44243	VIC	1165	44303	TROS	450326	44370S	TROS	44439	TROS	474272
44244	VIC	1195	44304	TROS	50327	44371	TROS	44440	TROS	450545
44245	TROS	50254=	44305	TROS	470328	44372	TROS	444409C1	IH	43290S
44247	TROS	450260	44305	TROS	481213!	44374	TROS	44441	TROS	470625!
44248	TROS	470682	44306	TROS	412871!	44375	TROS	44442	TROS	472150
44249S	TROS	470682	44307	TROS	470605!	44376	TROS	44443	TROS	470565!
44250	C-R	55199=	44308	TROS	450332	44377	TROS	44444	TROS	471224!
44250	TROS	451469	44309	TROS	470334!	44378	TROS	444456	HYST	351487
442507	TIMKE	442507	44310	C-R	110X130X12	44379	TROS	44445S	TROS	471224!
44251	C-R	55199=	44310	TROS	474255	44380	TROS	44446	TROS	471808!
44251	WAUKE	450165	44311	TROS	450339	44381	TROS	44447	TROS	50560
44251	WAUKE	471801!	443126C1	IH	415379!	443814	WHITE	44448	TROS	471267!
44252	TROS	473235!	44313	TROS	450341	44382	TROS	44449S	TROS	471267!
44253	TROS	50266	44314	TROS	450343	44383	TROS	44450	HYST	415294!
44254	TROS	473451=	44315	TROS	50345=	44384	TROS	44450	TROS	412027
44255	GARLK	416556!	44316	TROS	474254	44385	TROS	44451	TROS	413246
44255	GARLK	472157	44317	TROS	413247!	44386	TROS	44452	HYST	473460
44255	TROS	450269	443174	WHITE	416892!	44387S	TROS	44453	HYST	417562
44255	VIC	450269	44317C	DIA	470625!	44388	TROS	44454	HYST	414774
44256	TROS	471866!	44318	TROS	471504!	44389	TROS	44454	TROS	450588

! Industrial Size/Type * Minor Width Difference = Call 1-800-480-1212 for price and delivery.

Zero Duplication or Recommended		Zero Duplication or Recommended		Zero Duplication or Recommended		Zero Duplication or Recommended					
Mfr. No.	Name	Mfr. No.	Name	Mfr. No.	Name	Mfr. No.	Name				
44455	GARLK	416888!	44497	HYST	471766!	44536	HYST	416775	44587	TROS	323138!
44455	HYST	50501	44497	TROS	450803	44537	HYST	471413!	44589	AMC	471141!
44456	HYST	351487	44498	GARLK	416892!	44537	MINNM	415449!	44589	JN-MN	470712!
44457	HYST	417254	44498	HYST	471271!	44537	OLIVE	415449!	44589	TIMKE	472324
44457	TROS	470596	44498S	TROS	470806	44537	TROS	471413	44589VGR	SPG	472324
44458	HYST	473242	44499	HYST	473435	44538	HYST	6270	44599	JN-MN	473231
44459	HYST	417205!	44499	TROS	450808	44538S	TROS	472213	44599	TIMKE	445PKG
44459	TROS	450604	444GC1110	MACK	473117N=	44539	HYST	5401	446	C-R	473452
4445B	JN-MN	415995!	444R	TIMKE	444PKG	44540	HYST	411330!	446007XX	TIMKE	44X60X7
44460	HYST	416666	44500	HYST	40520S	44540	TROS	481568!	446010XX	TIMKE	44X60X10
44460S	TROS	450604	44501	HYST	417181!	44542	HYST	200851	4460B	JN-MN	473474
44461	HYST	417254	44501	TROS	473380	44542	TROS	482253	446208XX	TIMKE	44X62X8
44461	TROS	470390	44502	TROS	450819	44544S	TROS	473243	44625	GARLK	415138!
4446143	FORD	240733	44503	HYST	472164!	445450	IH	473463	44626	GRAY	470334!
44463	HYST	50081	44504	HYST	455509	44546	HYST	411330!	4462N	TIMKE	4462N
4446411	CHRY	710046	44504S	TROS	470898	44546	TROS	451948	4462RX	SPG	4462N
4446452	FORD	471271=	44505	DANA	710413	44547	HYST	417507!	4463B	JN-MN	415025
44465	TROS	450621	44505	HYST	6270	44547	HYST	417507!	4463LPD	JN-MN	415025
44466	TROS	470625!	44505	SPICE	710413	44547	TROS	473244	4463LUP	JN-MN	415025*
44467S	TROS	413248	44505	TROS	473203	44548	HYST	415027!	44645	GARLK	417247!
44468	HYST	415146!	44506	DANA	710414	44548	HYST	415027!	446479C1	IH	415379!
44468	HYST	415991	44506	SPICE	710414	44548	TROS	474253	4464B	JN-MN	417485
44468	TROS	473420	44506	TROS	450869	44549S	TROS	471570!	446508C1	IH	3894V
44469	HYST	416229	44507	HYST	40555	4454E	GOODM	416107!	446510A	HARWA	44X65X10!
4446A	HERCU	472394	44507	HYST	40555S!	4454E	GOODM	455073	446510XX	TIMKE	44X65X10
44470	C-R	55501=	44507	TROS	50883=	44551S	TROS	481073	4465B	JN-MN	472179
44470	HYST	416404!	44508	HYST	365008	44552	HYST	411253!	4465LUP	JN-MN	472179
44470	TROS	50631	44509	HYST	45827S	44552S	TROS	451143	446927	TIMKE	446927
44471	HYST	473367	44510	HYST	450400	44553	HYST	415725!	446GC1112	MACK	471354=
44471	TROS	471276	44511	TROS	413479	44553S	TROS	473405	446GC1113	MACK	471354=
44472	HYST	416282	44512	HYST	415449!	44554	HYST	471633!	446GC1115	MACK	471433\$
44472	TROS	472475	44513	HYST	415995!	44554S	TROS	471570!	446GC1115	MACK	5609
44473	TROS	450639	44513	TROS	473237!	44555	HYST	350974!	446GC1116	MACK	417433=
44475	HYST	471413!	44514	HYST	473475	44555	TROS	473228	446GC112	MACK	471354=
44475	TROS	470645	44515	HYST	451948	44556	AMC	473459	446GC1127	MACK	417082=
44476	HYST	345448	44515S	TROS	471736	44556	HYST	7105S	446GC1204	MACK	473117N=
44476	TROS	481073	44517	HYST	240735	44556S	TROS	473466	446GC132	MACK	471267!
44477	HYST	473232!	44517S	TROS	471646!	44557	HYST	415960!	446GC148	MACK	425RR
44478	HYST	455079!	44518	HYST	470764!	44557S	TROS	410308!	446GC155	MACK	425RR
44478	TROS	450655=	44518	HYST	50764	44558	HYST	200752	446GC181	MACK	100494
44479	HYST	416664!	44519	HYST	55386	44558	TROS	470898	446GC181	MACK	476470!
4447A	HERCU	473232	44519S	TROS	471564	44559	HYST	410737!	446GC2116	MACK	904229
44480	HYST	473367!	4451B	JN-MN	417349	44559	TROS	472354!	446GC218	MACK	39807
44480	HYST	473367	44520	HYST	470565!	44560	HYST	417298	446GC235	MACK	5645
44480S	TROS	472020	44521	HYST	416404!	44560	TROS	450398	446GC235B	MACK	4165V=
44481	HYST	470530!	44521	TROS	410987!	44560	TROS	471267!	446GC238	MACK	2297V!
44481	TROS	471737	44522	HYST	415551	44561	HYST	417501	446GC264	MACK	417433
44482	HYST	472179	44522	TROS	473474	44561S	TROS	471270!	446GC310	MACK	39807
44482	TROS	410737!	44523	HYST	472150	44562	HYST	474272	446GC310P11	MACK	39807
44483	HYST	240736	44523S	TROS	480630!	44562S	TROS	480630!	446GC310P2	MACK	417433
44484	HYST	416154!	44524	TROS	474256	44563	HYST	415960	446GC312	MACK	BS40446
44484	TROS	474279N	44525	HYST	415072	44563S	TROS	323138!	446GC313	MACK	924404
44485S	TROS	472018	44526	HYST	416865!	44564S	TROS	470565!	446GC317	MACK	39920
44486	HYST	411253!	44526	TROS	472185!	44565	HYST	416077	446GC321	MACK	471255
44486	TROS	471984	44527	HYST	417601	44566	HYST	470625!	446GCA310P2	MACK	5609
44487	HYST	415146!	44528	HYST	415482	44566	TROS	471224!	446GCA310PZ	MACK	5609
44487	HYST	415991	44529	HYST	472397!	44567	HYST	472164!	446GCX157	MACK	471354=
44487	TROS	473240!	4452SH	JN-MN	455194*	44567S	TROS	450911N!	446GCX169	MACK	471224!
44489	HYST	415867	44530	HYST	415302	44568	HYST	470565!	446R	TIMKE	446PKG
44489	TROS	410737!	44530S	TROS	481443!	44568S	TROS	471652	447008XX	TIMKE	44X70X8
44490	HYST	415023	44531	HYST	240733	44568S	TROS	482208!	44701	WAUKE	471267!
44490	TROS	471862	445312C1	IH	5112	44569	HYST	416107!	4470365	AMC	PSK-1
44491	HYST	471271!	445312C1	IH	5112S	44569	HYST	455073	447060	TIMKE	447060
44491	TROS	470764!	445319C1	IH	3404!	44569S	TROS	472560N!	4470B	JN-MN	415058
44491	TROS	50764	44532	HYST	240731	4456B	JN-MN	470328	4470VD	SPG	416404!
44492	HYST	472924!	44533	HERCU	240119	4456B	JN-MN	481213!	44711	VIC	474260
44493	HYST	455375=	44533	HYST	240119	4456D5	WHITE	470565!	44716	AMC	473467!
44493	TROS	471633!	44533	TROS	481792	44570	HYST	416666	447210XX	TIMKE	44X72X10
44494	TROS	471195!	44534	HYST	473413	44570S	TROS	471141!	447290	WHITE	5494
44495	HYST	472144!	44534S	TROS	471571	44571S	TROS	471354!	447291A	COC	7376=
44496	HYST	470898	44535	HYST	416271!	44575TA	TRSCM	417525!	447291A	WHITE	7376=
44496	TROS	480889	44535S	TROS	451078!	4457B	JN-MN	471750!	447292	WHITE	7378

! Industrial Size/Type * Minor Width Difference \$F-M Number Is Part Of A Kit = Call 1-800-480-1212 for price and delivery.

NUMERICAL

Zero Duplication or Recommended Industrial		Zero Duplication or Recommended Industrial		Zero Duplication or Recommended Industrial		Zero Duplication or Recommended Industrial		
Mfr. No.	Name	Mfr. No.	Name	Mfr. No.	Name	Mfr. No.	Name	
4472B	JN-MN	417298	4493 C-R	415088	44X65X10 SIMRT	44X65X10!	450069 TIMKE	473232
4473B	JN-MN	417606*	4493 C-R	415088!	44X65X10SC TRSCM	44X65X10!	45007 TROS	417344!
4474B	JN-MN	416154!*	44930 C-R	416888!	44X65X10TC TRSCM	44X65X10!	450070 TIMKE	472185
447551C91	IH	370036A	449310 C-R	415085!	44X72X10SC TRSCM	44X72X10!	450071 NATL	472439
447551C91	IH	370349A	449310 C-R	456648	44X72X10TC TRSCM	44X72X10!	450072 SPG	481864
447559C91	IH	370007A	449312 C-R	417191	4500 GOODM	416154!	450073 TIMKE	450073
447560C91	IH	370008A	449312 C-R	455165!	45000 TROS	417073	450074 SPG	474265
447561C91	IH	370001A	449312M1 C-R	417191	450005 NATL	471526	450076 TIMKE	470334
447565C91	IH	370033A	449312M1 C-R	455165!	450005 TIMKE	471526	450077 NATL	474281!
447566C91	IH	370023A	449313 WHITE	5494\$	450006 SPG	471530	450078 TIMKE	473444
4475B	JN-MN	418028	449314 C-R	417492*	450007 NATL	471281!	450080 SPG	473446
4475B	JN-MN	455137!	449316 C-R	415991	450008 NATL	471532	450082 TIMKE	473238
4476B	JN-MN	456105	449316 C-R	455146!	45001 TROS	415001!	450083 TIMKE	472924
44774	AMC	470530!	449316M1 C-R	415991	450010 C-R	J712	450084 NATL	450084=
447793	TIMKE	447793	449316M1 C-R	455146!	450014 NATL	471472	450084 TIMKE	450084
4477B	JN-MN	476470	449316Q6 C-R	415991	450016 SPG	471535!	450085 TIMKE	470530
44793	GMC	471705!	449316Q6 C-R	455146!	450017 SPG	473405	450086 SPG	470086
447R	TIMKE	447PKG	449318 C-R	415498	450018 NATL	471264	450087 TIMKE	473313
4482	ALOY	2081	449318M1 C-R	415498	450019 NATL	471549!	450088 NATL	470088
4482	ALOY	416921!*	44932 C-R	55141	45002 TROS	415988	450089 TIMKE	450089
448236C1	IH	415035	449320 C-R	415389	450021 NATL	471551!	45008S TROS	417344!
44830810	TROS	416024	449322 C-R	416919	450022 SPG	471558	45009 TROS	415007
44833210	TROS	415437	44934 C-R	417172	450024 SPG	481073	450090 TIMKE	450090
44834010	TROS	415937!	44934M1 C-R	417172	450025 TIMKE	471553	450092 NATL	473458!
4483456	CHRY	5106	44936 C-R	455336	4500266 TW-CO	6465	450093B SPG	712130
44834807.75	TROS	415379	44936M1 C-R	455336	450027 NATL	471554	450094 TIMKE	473462
44834807.75	TROS	415379!	44938 C-R	418028	450027SSR SPG	471554!	450094B SPG	712131
44834807.75C	TROS	415379!	44938 C-R	455137!	45003 TROS	415458	450094N TIMKE	473462
44834808	TROS	415379!	44938M1 C-R	418028	450030 TIMKE	474253	450094RAR SPG	473462
44834808	TROS	415379	44938M1 C-R	455137!	4500305 ALLCH	416888!	450095 TIMKE	473464
44834810	TROS	415379	4493M1 C-R	415088	4500307 ALLCH	472439	450096 TIMKE	450096
44834810	TROS	415379!	4493M1 C-R	415088!	4500309 ALLCH	471442!	450097 NATL	413469!
44834814	TROS	415379	4494 UNIVE	5452	450033 NATL	470033	450098 NATL	412943
44835610	TROS	417210!	449425M1 MASSE	JV933	450034 NATL	474273	450099 TIMKE	411253
4485	ALOY	8974S	44952 C-R	416888!	450035 SPG	473412	45010 C-R	416888
4485691	AMC	8549S	44959 C-R	416888!	450037 NATL	471137	45010 TROS	455008
4485B	JN-MN	415234!*	4496 ALOY	8792S	450038 TIMKE	450038	450100 NATL	410694!
4486	GRAY	473464!	44960 C-R	416888!	450039 NATL	450039	450101 TIMKE	412119
4486	GRAY	473464	44963 C-R	416888	450039 TIMKE	450039	450102 NATL	410102
4486111	CHRY	710501	44964 C-R	416888	45004 NATL	46997S	450103 TIMKE	410987
4486140	AMC	313842	44966 C-R	416888	45004 TROS	46997S	450104 TIMKE	450104
4486141	AMC	474131	44967 C-R	416888!	450040 TIMKE	450040	450109 SPG	473441
448644C91	IH	370131A	44967 C-R	416888*	450041 NATL	450593	45011 SPG	43086S
4487B	JN-MN	417210!	44968 C-R	416888!*	450042 TW-CO	6465	450111 TIMKE	450111
4488330	AMC	480821!	44969 C-R	416888!	450043 TIMKE	473419	450115 TIMKE	473467
44895	DANA	5778V	4496B JN-MN	415036	450044 TIMKE	450044	450116 TIMKE	473450
4489VAO	SPG	713750	44970 C-R	416888!	450045 NATL	476838	450117 TIMKE	472572
4489VX	SPG	4489V=	44971 C-R	416888!	450046 SPG	473428	450118 NATL	473449!
4489VX	SPG	713750	44972 C-R	416888!	450047 NATL	473426	450118 TIMKE	473449
4489VXO	SPG	714489	44973 C-R	416888=	450048 TIMKE	450048	45011D IH	472924!
4489VXR	SPG	4489V=	44975 C-R	416888!	450049 NATL	471750	45012 TROS	417485
4489VXR	SPG	713750	44975 WAYNE	471730	45005 TROS	417316!	450121 TIMKE	472409
448A32809	TROS	455858	44976 C-R	416888!	450050 SPG	470050	450122 SPG	473437
448R	TIMKE	448PKG	4498 ALOY	8835S	4500504 ALLCH	416888!	450127 SPG	471735
448WL316-M1	C-R	415991	4499 ALOY	8460N	450051 NATL	473427	450129 NATL	472826
448WL316-M1	C-R	455146!	4499B JN-MN	470565!*	450052 NATL	471354!	45013 SPG	45013S
44900	VIC	1110	449BM318-L C-R	415498*	450054 TIMKE	450054	45013 TROS	415995!
44908	VIC	1110	449F314 C-R	417492	450055 NATL	473215!	450132 TIMKE	412920
4490B	JN-MN	55532=	449F316 C-R	415991	450055N NATL	473215	450133 TIMKE	450133
44912	C-R	327303!	449FM314 C-R	417492	450057 NATL	473225!	450136 NATL	470625!*
44913	C-R	327303	449FM316 C-R	415991!	450058 SPG	473438	450137 NATL	471529
44915	C-R	327303	449FM316 C-R	415991	45006 TROS	455005	450138 NATL	473459
44916	C-R	417507	449FM38 C-R	418028	450061 NATL	470950!	450139 NATL	472234
4491713	TEREL	415379	449R TIMKE	449PKG	450061 NATL	6241S	45013S TIMKE	45013S
4491713	TEREL	415379!	449W312-M1 C-R	417191	450062 NATL	474264	45014 TROS	416654!
44919	C-R	370124A	449W312-M1 C-R	455165!	450063 NATL	471820	450140 NATL	471413!
4491B	JN-MN	417601	449W34 C-R	417172	450064 NATL	471821	4501424 ALLCH	416888!
44920	C-R	417530	44G OSHKO	415960!	450065 TIMKE	450065	450143 TIMKE	450143
44922	C-R	370124A	44X60X10SC TRSCM	44X60X10!	450066 NATL	473367	450144 NATL	473226
449228	C-R	455144	44X60X10TC TRSCM	44X60X10!	450066 TIMKE	473367	450145 NATL	473460
449230	C-R	455356	44X62X8SC TRSCM	44X62X8!	450067 TIMKE	473228	4501458 ALLCH	471765!
44924	C-R	370124A	44X62X8TC TRSCM	44X62X8!	450068 TIMKE	450068	4501459 ALLCH	473426

! Industrial Size/Type * Minor Width Difference \$F-M Number Is Part Of A Kit = Call 1-800-480-1212 for price and delivery.

Zero Duplication or Recommended		Zero Duplication or Recommended		Zero Duplication or Recommended		Zero Duplication or Recommended		
Mfr. No.	Name	Mfr. No.	Name	Mfr. No.	Name	Mfr. No.	Name	
4501464	ALLCH	471466!	450248 NATL	473436	450316G CLARK	455146!	450414 SPG	472311!
450147	TIMKE	450147	45025 C-R	355200*	450316M1 C-R	415991	450415 TIMKE	450415
45015	TROS	415995!	45025 C-R	416888!*	450316M1 C-R	455146!	450418 SPG	473442!
450152	NATL	473205!	45025 TROS	455022	450317 TIMKE	411394	45041S TROS	415035
450153	SPG	472287!	450255 SPG	473439!	45031K ALLCH	417181!	45041S TROS	415035!
450154	TIMKE	473234	450258 NATL	482253	45031S TIMKE	45031S	45042 TROS	415036
450155	C-R	471760	45026 TROS	415023	45032 C-R	416153!*	450421 C-R	733067
450155	NATL	473447	450260 TIMKE	450260	450320 NATL	473475	450424 SPG	471730
450157	SPG	471760	450261 SPG	473466	450322 NATL	412040	450430 TIMKE	450430
450158	NATL	471762!	450262 NATL	470682	450323 SPG	472029	450431 TIMKE	471539
450159	TIMKE	450159	450265 NATL	473235!	450324 SPG	413478	450433 NATL	471138!
450160	NATL	471763	450267 NATL	472070	450326 TIMKE	450326	450434 C-R	B299
450161	TIMKE	471764	450268 SPG	473451!	450329 TIMKE	412871	450438 NATL	472299
450162	NATL	471765	450269 TIMKE	450269	45032S TROS	415027	45043S TROS	415036
450163	NATL	471766	45027 TROS	455024	45032S TROS	415027!	45044 C-R	416153!
450164	SPG	473424!	450270 SPG	471866!	45033 TROS	55028	45044 TROS	455037
450167	SPG	473212!	450272 SPG	471868	450330 SPG	470605!	450441 TIMKE	471341
450169	NATL	473214	450273 TIMKE	450273	450331 SPG	473452	450444 TIMKE	471835
4501690659AM	CHALL	370020A	450274 TIMKE	450274	450332 TIMKE	450332	450446 TIMKE	450446
45016S	TROS	415995!	450275 TIMKE	450275	450335 TIMKE	450335	450449 NATL	471270!
45017	TROS	417487	450279 TIMKE	450279	450336 NATL	474255	45045 C-R	416153!
450171	NATL	473016!	45028 TROS	415025	450339 TIMKE	450339	45045 TROS	417512
450173	TIMKE	450173	450280 TIMKE	450280	45034 C-R	417172*	450451 NATL	480630
450177	TIMKE	450177	450283 SPG	473179!	45034 TROS	416125!	450452 TIMKE	473197
450179	SPG	473421	450284 C-R	733067	450340 NATL	450340	450453 NATL	473224!
45018	TROS	473467	450285 TIMKE	450285	450340 TIMKE	450340	450454 C-R	730149
450180	SPG	473435	450286 NATL	474274	450341 TIMKE	450341	450455 NATL	472319
450182	NATL	471747!	450287 C-R	733067	450342 TIMKE	450342	450456 NATL	323125
450183	TIMKE	472179	45029 TROS	455026	450343 TIMKE	450343	450456 TIMKE	450456
450184	NATL	471571	450290 C-R	733067	450344 SPG	473425	450457 TIMKE	450457
450185	TIMKE	473229	450291 TIMKE	471141	45035 TROS	55030	45046 C-R	416153!
450185	WMG	6828S	450291N TIMKE	471141	450350 TIMKE	413247	45046 TROS	471513
450186	NATL	473236!	450293 C-R	733067	450351 NATL	471504	450461 TIMKE	473440
450187	NATL	471619!	450293 SPG	473453	450352 TIMKE	472164	450463 TIMKE	450463
450188	TIMKE	450188	450295 NATL	472144!	450354 NATL	470354	450464 C-R	730031
450189	NATL	471692	450298 TIMKE	473239	450355 SPG	471538!	450466 C-R	730016
45019	TROS	416288!	4502B JN-MN	450532*	450358N NATL	473231	450467 C-R	730001
450190	SPG	410190	4503 C-R	415088	450358RRR SPG	473231	450467 TIMKE	450467
450194	TIMKE	473010	4503 C-R	415088!	450359 NATL	473448	450468 C-R	730019
45020	TROS	456105	45030 GARLK	415725!	45036 C-R	455336*	45047 C-R	416153!
450202	NATL	472705!	450300 NATL	472394	45036 TROS	416339	45047 TROS	416891!
450203	SPG	481443!	450301 TIMKE	472397	45036 TROS	455031!	450470 C-R	730027
450205	SPG	471579	450302 C-R	730022	450360 NATL	471870!	450471 C-R	733067
450208	NATL	451583!	450302 NATL	472012	450361 TIMKE	472193	450472 NATL	7751H
45021	TROS	476470	450303 TIMKE	472015	450362 TIMKE	450362	450472 TIMKE	450472
450210	SPG	480210!	450304 SPG	473457!	450365 TIMKE	470898	4504729 ALLCH	415449!
450211	NATL	471643	450306 NATL	473461!	450365N TIMKE	470898	450474 TIMKE	450474
450213	SPG	471645	450307 TIMKE	450307	45036M1 C-R	455336*	450479 NATL	473445
450215	NATL	471646	450308 TIMKE	410308	45037 TROS	471570!	450479 WMG	472810!
450217	SPG	471647	450309 NATL	471391!	450373 NATL	451948	45048 TROS	415041
450218	SPG	471648	450310 SPG	473242	450374 NATL	411500	450481 SPG	471818
450219	NATL	471649	450311 TIMKE	450311	450375 TIMKE	450375	450482 C-R	730034
45022	TROS	455019!	450312 C-R	417191	45038 C-R	418028	450482 TIMKE	450482
450221	SPG	471651	450312 C-R	455165!	45038 C-R	455137!	450487 NATL	470487!
450222	NATL	471684!	450312 GR-DV	417191	45038 GOODM	418028	450489 C-R	730001
450224	SPG	471686	450312 GR-DV	455165!	45038 GOODM	455137!	450489 TIMKE	473244
450226	NATL	470590	450312 TIMKE	472016	45038 TROS	416345!	45049 TROS	415138!
450228	SPG	472951	450312N NATL	472016	45038 TROS	455033	450492 TIMKE	450492
450228	SPG	474252	450313 TIMKE	450313	450381 NATL	471652	4504939 ALLCH	470898!
450229	SPG	471688	450314 C-R	417492	4503830 ALLCH	416888!	450494 TIMKE	472164
450230	C-R	455356*	450314 CABOT	417492	450389 TIMKE	472492	450495 C-R	730035
450230	CABOT	455356	450314 FAIRB	417492	45039 TROS	415034!	450496 C-R	730017
450230	NATL	471689	450314M1 C-R	417492	4503M1 C-R	415088!	450496 TIMKE	410496
450230M1	C-R	455356*	450315 NATL	473245!	4503M1 C-R	415088	450496V TIMKE	450496V
450232	NATL	471705!	450316 C-R	415991	4503N TIMKE	4503N	450496VGR SPG	450496V
450233	NATL	471733	450316 C-R	455146!	45040 C-R	416153!	450497 C-R	730004
450236	NATL	470712	450316 GOODM	415991	45040 TROS	415035	450498 C-R	730030
450237	WMG	471744!	450316 GOODM	455146!	45040 TROS	415035!	450499 C-R	730003
450239	SPG	450342	450316 MINMA	415991	450400 TIMKE	450400	45050 TROS	415043
45024	TROS	415021	450316 MINMA	455146!	450403 NATL	470774	450502 C-R	730009
450245	NATL	471795	450316 TIMKE	472636	45041 C-R	416153!	450502 TIMKE	474260
450247	NATL	473211!	450316G CLARK	415991	450412 TIMKE	450412	450503 NATL	470503

! Industrial Size/Type * Minor Width Difference

NUMERICAL

Zero Duplication or Recommended		Zero Duplication or Recommended		Zero Duplication or Recommended		Zero Duplication or Recommended		
Mfr. No.	Name Industrial	Mfr. No.	Name Industrial	Mfr. No.	Name Industrial	Mfr. No.	Name Industrial	
450504	SPG	472843	450645 NATL	470645	450780 SPG	481397	450AM316 C-R	415991!
450505	C-R	730009	450649 SPG	481073	450781 C-R	730149	450AMM316 C-R	415991!
4505098	CHRY	471539	450655 C-R	416892!	450781 SPG	471633!	450AMM316 C-R	415991
45051 TROS	417514	450655 TROS	450665 TROS	415060	450788 C-R	733067	450B318 C-R	415498*
450516	TIMKE	450516	450665 TROS	455060	45078S TROS	416107!	450CP312-M1 C-R	417191
450519	TIMKE	471271	450666 C-R	416892!	45078S TROS	455073	450CP312-M1 C-R	456585
450519SGR	SPG	471271	450666 TIMKE	450666	45079 C-R	416892!	450F38 C-R	418028
45051S TROS	415035!	45067 TROS	4506725 ALLCH	415351!	45079 TROS	415074	450FF316 C-R	345146*
45051S TROS	415035	4506725 ALLCH	45068 TROS	472439	450791 SPG	471466!	450G316 C-R	345146
45052 TROS	415045!	45068 TROS	45068 TROS	457585	450791S36 SPG	471466!	450HD316 C-R	345146
450520	NATL	471272!	450680 WMG	471570!	45080 GARLK	416865!	450HD326 C-R	8370S
450521	SPG	473423	450681 SPG	472020	45080 TROS	416476!	450N38 C-R	415137!
450522	NATL	472258!	450683 SPG	471737	450803 TIMKE	450803	450N38 C-R	418028
450523	TIMKE	450523	450686 TIMKE	450686	450804 C-R	730005	450R TIMKE	450PKG
450524	SPG	410524	450689 C-R	416892!*	450805 C-R	730006	450TA840 OSHKO	100495
45053 TROS	417520	45069 TROS	450693 TIMKE	450693	450806 C-R	730004	450TA840 OSHKO	476023N
450533	TIMKE	450533	45070 C-R	416892!	450806 NATL	470806	450W230 C-R	455356*
450535	TIMKE	450535	45070 TROS	415066	450808 NATL	470808	450W230-M1 C-R	455356
450536	TIMKE	450536	45071 TROS	456890	45081 TROS	415076	450W3 C-R	415088!
450539	TIMKE	414268	45071 TROS	456890	450818 SPG	473380	450W3 C-R	415088
45054 TROS	415047	450718 SPG	450718 SPG	472018	450819 TIMKE	450819	450W312 C-R	417191
450540	TIMKE	450540	450719 NATL	471984	45082 TROS	415077	450W312 C-R	455165!
450541	NATL	471689	45072 C-R	416892!	450823 SPG	473454	450W314 C-R	417492
450543	NATL	474272!	45072 TROS	417269!	45083 TROS	55078S	450W314 C-R	415991
450545	TIMKE	450545	450720 SPG	473240!	45084 TROS	455079!	450W316 C-R	455146!
4505469	CHRY	472572	45073 TROS	417273	45085 C-R	416892!	450W316-M1 C-R	415991
450549	NATL	471744!	450737 TIMKE	410737	45085 TROS	455080	450W316-M1 C-R	455146!
45055 TROS	417525	450737N NATL	450737N NATL	410737!	45086 TROS	415082	450W34 C-R	417172*
450551	SPG	472150	45073D IH	417344!	450867 TIMKE	470898	450W36 C-R	6358
450552	NATL	470565!	45074 C-R	416892!	450867 WMG	470898	450W38 C-R	418028
450553	NATL	471224	45074 TROS	416865!	450868 NATL	473203	450W38 C-R	455137!
450559	SPG	471808!	450741 C-R	730003	450869 TIMKE	450869	450W38-M1 C-R	418028
45056 TROS	416892!	450742 C-R	450742 C-R	730026	45087 TROS	416239!	450W38-M1 C-R	455137!
450565	SPG	470565!	450743 C-R	730149	4508700 CALI	417486	4510 ALOY	7934S
45057 TROS	417533	450745 C-R	450745 C-R	733067	45088 TROS	415085!	45100 C-R	380131A
450571	NATL	412027	450746 C-R	730018	45088 TROS	456648	45100 C-R	416892
450574	NATL	413246	450746 NATL	471862	45089 TROS	417487	45100 TROS	411245!
450574N	WMG	480574H	450747 C-R	733067	450895 NATL	471554	45100D IH	480210!
45058 TROS	415371	450748 C-R	450748 C-R	730016	45090 TROS	55087=	4510113 JOY	7700S!
450580	SPG	471498	450749 C-R	730001	450904 SPG	413479	4510141 JOY	415458!
450584	C-R	733067	45075 C-R	416892!	450911 TIMKE	450911N	451016 SPG	473517!
450587	C-R	733067	45075 TROS	417546!	450911N NATL	450911N	45101S TROS	411245!
450588	TIMKE	450588	450751 C-R	733067	450911N TIMKE	450911N	45102 C-R	370131A
45059 TROS	415138!	450751 SPG	450751 SPG	471316	450911SSR SPG	450911N!	45102 C-R	380131A
450590	C-R	733067	450752 C-R	730030	45092 TROS	415090	45102 TROS	415302
450591	SPG	471729	450755 C-R	730004	450929 NATL	473237!	451024 NATL	471653
450593	C-R	733067	450756 C-R	730020	45093 C-R	370021A	45103 C-R	370131A
450593	TIMKE	450593	450757 C-R	730031	45093 C-R	380131A	45103 C-R	380131A
450596	C-R	730018	45076 TROS	415072	45093 C-R	417506	45103 TROS	416282
450596	SPG	470596	450760 C-R	730005	45093 TROS	416167!	45104 C-R	417531
4505961	CHRY	3816	450765 C-R	730008	45094 TROS	417596	45104 TROS	415645!
450599	C-R	730026	450765 NATL	50421	450948 SPG	471736	45104 TROS	455104
45060 TROS	417223	450765 TIMKE	450765 TIMKE	450765	45095 C-R	370124A	45104D IH	415960
4506005	CHRY	710241	450766 C-R	730034	45095 C-R	380069A	45105 C-R	370131A
4506005AB	CHRY	710241	450768 C-R	730027	45095 C-R	416892	45105 C-R	380131A
450602	C-R	730022	450769 C-R	730022	45095 TROS	411376!	45105 C-R	416892
450604	NATL	450604	45077 C-R	416892!	450965 TIMKE	450965	45105 TROS	415938
450604	TIMKE	450604	45077 TROS	416107!	45096S TROS	411376!	451060 SPG	481792
450605	SPG	470605!	45077 TROS	455073	45097 C-R	416892	45106S TROS	415938
450606	C-R	730008	450771 C-R	730007	45097 TROS	416444	45107 C-R	417531
45061 AMC	473444	450772 C-R	450772 C-R	730006	450975 SPG	471564	451078 NATL	451078=
45061 C-R	416892!	450774 C-R	450774 C-R	733067	45098 C-R	416892	451078 TIMKE	451078
45061 TROS	455056	450774 SPG	450774 SPG	470774!	45098 TROS	416271!	45108 C-R	416892
450610	SPG	470390	450775 C-R	733067	450984 TIMKE	450984	45108 TROS	416666
45062 C-R	416892!	450776 NATL	450776 NATL	450776	450988 NATL	473474	451082 TIMKE	451082
45062 TROS	417516	450776 TIMKE	450776 TIMKE	450776	45099 C-R	416892	45109 C-R	416154!
450621	TIMKE	450621	450777 C-R	730009	45099D IH	450593!	45109 TROS	457874
450626	TIMKE	413248	450778 C-R	730019	45099S TROS	416271!	451091 SPG	473463
450628	SPG	473420	450779 C-R	730017	450A312 C-R	417191	45110 C-R	416154!
45063 TROS	415058	450779 SPG	450779 SPG	473238!	450A316 C-R	415991	45110 TROS	417562
450639	TIMKE	450639	45078 C-R	416892!	450A316 C-R	415991!	451100 NATL	471652
45064 TROS	417238	450780 C-R	450780 C-R	730033	450AM316 C-R	415991	4511035 WOOL	417158!

! Industrial Size/Type * Minor Width Difference = Call 1-800-480-1212 for price and delivery.

Zero Duplication or Recommended		Zero Duplication or Recommended		Zero Duplication or Recommended		Zero Duplication or Recommended	
Mfr. No.	Name	Industrial	Mfr. No.	Name	Industrial	Mfr. No.	Name
45111	C-R	416154!	4514813	ALLCH	J1238=	4518H	MALL
45111	TROS	417563	45149	C-R	415351!	45190	TROS
45112	TROS	416229	45149	TROS	417134	45190	TROS
45113	TROS	417298	4515	ALOY	7537S	45191	TROS
451138	SPG	471138!	4515	JOHND	412119	45192	TROS
45114	TROS	455310	45150	C-R	415351!	45193	TROS
451143	TIMKE	451143	45150	TROS	417486	451936	SPG
451147H	TIMKE	472164	45151	C-R	415351!	45194	TROS
45115	TROS	455584	45151	TROS	417351!	451944	SPG
45116	TROS	416077	45152	C-R	370086A	451948	NATL
451162N	NATL	473454	45152	TROS	55155=	451948	TIMKE
45117	TROS	415116	45153	TROS	417621!	45195	TROS
45118	TROS	455117	451531	SPG	471281!	45196	TROS
451182	TIMKE	451182	45155	C-R	417532	45197	TROS
45119	TROS	415551	45155	TROS	416292	45199	TROS
451198	SPG	470774!	45157	C-R	370011A	4519LA	JN-MN
45120	TROS	417598	45157S	TROS	417488!	4519LUP	JN-MN
45121	TROS	455406!	45158	C-R	370021A	451R	TIMKE
45121L	C-R	5797	45158	TROS	417171!	4520	DURA
45122	TROS	455121	451580	SPG	471567!	45201	TROS
45123	TROS	417602!	451583	NATL	451583	452018	SPG
451235	SPG	471958	451583	TIMKE	451583	45202	TROS
45124	TROS	455123	45159	TROS	417490	452020	SPG
45125	TROS	415124	45160	C-R	370021A	45203	TROS
4512559	ALLCH	416888	45160	TROS	417181!	45205	TROS
45126	TROS	417022	45161	TROS	417491	45206	TROS
45127	TROS	417604	45162	C-R	370192A	45207	TROS
451271	SPG	471271!	45162	TROS	412473!	45208	TROS
451272	SPG	471272!	45163	TROS	417191	452086	TIMKE
451275RA	SPG	476470!	45163	TROS	455165!	45209	TROS
45128	TROS	417567	45164	TROS	417492	45210	C-R
45129	TROS	415128	45165	TROS	417354!	45210	C-R
451294	SPG	471526!	45166	TROS	417493	45210	TROS
45130	GARLK	417278	451662	NATL	471649!	45212	TROS
45130	TROS	455129	45167	TROS	417196!	45213	TROS
45131	TROS	417474	45168	TROS	415711	45215	TROS
45132	TROS	455134!	45169	TROS	416332!	452152	SPG
451324	SPG	471255!	45170	TROS	415437	45216	TROS
45133	TROS	455136	45170	TROS	415437!	452164N	NATL
45134	TROS	418028	451700	SPG	470590	45217	TROS
45134	TROS	455137!	451703	SPG	471689!	45218	TROS
45134D	IH	415449!	451706	SPG	471692!	45219	TROS
45135S	TROS	418028	451709	NATL	471413	45220	C-R
45135S	TROS	455137!	45171	TROS	417497	45220	TROS
45136	TROS	417554!	45172	TROS	415937!	45220S	TROS
4513621	ALLCH	472439	45173	TROS	417501	45221	TROS
45136215	ALLCH	472439	45174	TROS	415379!	45222	C-R
45137	TROS	55141	45174	TROS	415379	45222	TROS
45138	TROS	415142	45175	TROS	455178=	452222	NATL
451385	SPG	473407	45176	TROS	417210!	452222	TIMKE
45139	TROS	455144	45177	TROS	417498	45223	C-R
45140	C-R	416070	45178	C-R	55539*=	45223	TROS
45140	TROS	417172	45178	TROS	417355!	45224	TROS
45141	TROS	415991	4517LA	JN-MN	472439*	45225	C-R
45141	TROS	455146!	45180	C-R	55539=	45225	TROS
451414	SPG	412473!	45180	TROS	417205!	45226	TROS
451424	ALLCH	416888!	451817	TIMKE	451817	452261H	TIMKE
45142S	TROS	415991	45182	TROS	417211!	452267	NATL
45142S	TROS	455146!	45183	TROS	417967!	45228	TROS
45143	TROS	415449!	45184	TROS	415187	45229	TROS
451446	WHITE	480630	451845	TIMKE	451845	45230	C-R
45144S	TROS	415449!	45185	TROS	417356!	45230	C-R
45145	TROS	417366!	45185	TROS	455188	45231	TROS
451456	NATL	472475	451857	TIMKE	451857	45233	C-R
451458	ALLCH	471765!	451858	SPG	451469	45233	TROS
451459	ALLCH	473426	45186	TROS	455191	45234	TROS
45146	TROS	417343!	45187	SPG	45187S	45235	TROS
451464	ALLCH	471466!	451879	SPG	470334!	45236	TROS
451469	TIMKE	451469	45187S	TIMKE	45187S	45237S	TROS
45147	TROS	415150!	45188	TROS	55193=	45238	TROS
45148	C-R	415351!	451883	SPG	471870!	45238	VIC
45148	TROS	455151	45189	TROS	455194	45239	TROS
45239	VIC	5414	4518H	MALL	471413	45239	VIC
4524	ALOY	7412S	45190	TROS	472157	4524	ALOY
45240	TROS	417198	45190	TROS	472157!	45240	TROS
45242	TROS	417252	45191	TROS	415196!	45242	TROS
452424C1	IH	100495	45192	TROS	455197N	452424C1	IH
452424C1	IH	476023N	45193	TROS	415196!	452424C1	IH
45243	TROS	415259!	451936	SPG	473238	45243	TROS
45244	TROS	455260	45194	TROS	55199=	45244	TROS
45247	TROS	415263	451944	SPG	472924!	45247	TROS
45248	TROS	415867	451948	NATL	472579	45248	TROS
45249	TROS	416865!	451948	TIMKE	451948	45249	TROS
45250	C-R	115X150X12	45195	TROS	416888!	45250	C-R
45252	C-R	115X150X12!	45196	TROS	417509	45252	C-R
45252	TROS	55268	45197	TROS	455203	45252	TROS
45254	TROS	417605	45199	TROS	416137	45254	TROS
45255	TROS	415725!	4519LA	JN-MN	416888!	45255	TROS
452554	NATL	474276	4519LUP	JN-MN	416888!	452554	NATL
452554N	TIMKE	474276	451R	TIMKE	451PKG	452554N	TIMKE
452559	SPG	472475	4520	DURA	330385!	452559	SPG
45256	TROS	416706!	45201	TROS	416149	45256	TROS
45257	TROS	417254	452018	SPG	472018	45257	TROS
45259	TROS	55276=	45202	TROS	417526	45259	TROS
45259	VIC	5453	452020	SPG	472020	45259	VIC
4525V	TIMKE	4525V	45203	TROS	416154!	4525V	TIMKE
4525VJ	SPG	4525V	45205	TROS	416158	4525VJ	SPG
4525VJ0	SPG	4525V	45206	TROS	417535	4525VJ0	SPG
45261	TROS	455280	45207	TROS	417247!	45261	TROS
45262	TROS	417349	45208	TROS	416163	45262	TROS
45263	TROS	416364!	452086	TIMKE	452086	45263	TROS
45263	VIC	5458	45209	TROS	417539!	45263	VIC
452636	SPG	472636!	45210	C-R	115X135X15!*	452636	SPG
45264	TROS	416865!	45210	C-R	710258	45264	TROS
45265	TROS	417602!	45210	TROS	417267	45265	TROS
45266	TROS	455290	45212	TROS	415219	45266	TROS
45268	TROS	417584	45213	TROS	415871	45268	TROS
45269	TROS	415294!	45215	TROS	55222=	45269	TROS
45270S	TROS	415294!	452152	SPG	411394!	45270S	TROS
45271	TROS	415295	45216	TROS	55223=	45271	TROS
45272	TROS	417082	452164N	NATL	472164!	45272	TROS
45273	TROS	455297	45217	TROS	55224=	45273	TROS
45274	TROS	417600	45218	TROS	417020	45274	TROS
452742	TIMKE	452742	45219	TROS	415227!	452742	TIMKE
45275	TROS	417601	45220	C-R	115X140X12	45275	TROS
45276	TROS	55301S	45220	TROS	55228=	45276	TROS
45277	TROS	476470	45220S	TROS	5487	45277	TROS
45278	TROS	415991	45221	TROS	415482	45278	TROS
45278	TROS	455146!	45222	C-R	115X140X12V	45278	TROS
45279	TROS	455308	45222	TROS	416153!	45279	TROS
4528	SPG	1174	452222	NATL	452222=	4528	SPG
4528	SPG	38X52X8.5!	452222	TIMKE	452222	4528	SPG
45280	C-R	710372	45223	C-R	115X140X12!	45280	C-R
45280	TROS	55309=	45223	TROS	417538!	45280	TROS
45281	TROS	455310	45224	TROS	415234!	45281	TROS
45282	TROS	455311	45225	C-R	115X140X12!*	45282	TROS
45283	TROS	417278	45225	TROS	55236	45283	TROS
45285	TROS	415984!	45226	TROS	55238	45285	TROS
452867R91	IH	40059S	452261H	TIMKE	452261H	452867R91	IH
45287	C-R	100X130X12!	452267	NATL	482267	45287	C-R
45287	TROS	415317	45228	TROS	55242	45287	TROS
45288	TROS	417542	45229	TROS	417481	45288	TROS
45289	TROS	417495	45230	C-R	115X145X13!*	45289	TROS
4528N	TIMKE	4528N	45230	C-R	115X145X15*	4528N	TIMKE
45290	C-R	115X160X15*	45231	TROS	416919	45290	C-R
45290	TROS	455321	45233	C-R	115X145X14!	45290	TROS
45291	TROS	417484!	45233	TROS	412861	45291	TROS
45292	TROS	417532	45234	TROS	455249!	45292	TROS
452920	SPG	412920!	45235	TROS	415303!	452920	SPG

Zero Duplication or Recommended Industrial		Zero Duplication or Recommended Industrial		Zero Duplication or Recommended Industrial		Zero Duplication or Recommended Industrial		
Mfr. No.	Name	Mfr. No.	Name	Mfr. No.	Name	Mfr. No.	Name	
452R	TIMKE	452PKG	TROS	455396	45421	TROS	455614	
4530	TIMKE	4530	TROS	455397	45422	TROS	416024	
45300	TROS	455336	45349	TROS	455402=	45425	TROS	415371
45301	TROS	55337	4534B	JN-MN	470764!	45426	TROS	55646=
45302	TROS	415991	4534B	JN-MN	50764	45429	TROS	455655!
45302	TROS	455146!	45350	GARLK	417358	45432	TROS	412473!
45304	TROS	417494	45350	TROS	417551	45433	TROS	415683
453059	TIMKE	474277	45352	TROS	417492	45433214	TROS	370001A
453062	SPG	472644	45354	TROS	55431=	45434	TROS	455685
453063	TIMKE	453063	45355	TROS	455434	45436	TROS	55692=
453065	TIMKE	453065	45357	TROS	415437	45437S	TROS	416364!
453066	TIMKE	453066	45358	TROS	55441=	4543V	TIMKE	476470
45307	ALLCH	472439	45359	TROS	415442!	45440	TROS	416071
45308	TROS	417159	45359	TROS	55442	45443	TROS	455820
45309	ALLCH	471442!	45361	TROS	415447	45445	TROS	410825
45309	TROS	415349	45362	TROS	417597	45448	TROS	417604
45310	GARLK	417262!	45363	TROS	455576!	45449	TROS	455858
45310	TROS	415350	45364	TROS	455462	4544V	TIMKE	4544V
45311	TROS	55353	45366	TROS	55469	45450	GARLK	417359
45312	TROS	416404!	45367	TROS	455471	45450S	TROS	415379!
4531216AB	CHRYSS	7300S	45368	TROS	455472=	45451	TROS	417550
4531225	CHRYSS	331227H	45369	TROS	417518	45452S	TROS	415458
45313	TROS	416404!	45371	TROS	455476	45453	TROS	415960
45314S	TROS	416404!	45372	TROS	417350!	45454	TROS	416921!
45315	TROS	455356	45373	TROS	455480!	45455	TROS	411376!
453157	WHITE	733111	45374S	TROS	455480!	45456	TROS	415027!
453165	TIMKE	471619	45375	TROS	417543	45456	TROS	415027
453166	NATL	350974!	45376	TROS	415482	45457	TROS	417556
453169	SPG	473224!	45378S	TROS	415937!	45458S	TROS	417621!
45317	TROS	55357	45379	TROS	417555!	45459	TROS	417488!
453170	SPG	473016!	45381	TROS	417548	45460	TROS	417357
453171	SPG	473440	45382S	TROS	417548	45460	TROS	455192!
45318	TROS	55358=	45383	TROS	415498	45461	TROS	417606
453181	SPG	415995!	453830	ALLCH	416888!	45462	TROS	6985
453181	SPG	415995!	45383A	HERCU	45637S	45463	TROS	41081S=
453182	TIMKE	453182	45384S	TROS	415498	45465	TROS	6864S
45319	TROS	416865	45385	TROS	418029!	45466S	TROS	370019A
45320	TROS	417362!	45386	TROS	455500	45467	TROS	417570
45321	TROS	415284	45387	TROS	55501=	454704C1	IH	710007
45321S	TROS	417362!	45388	TROS	455583N!	454705C1	IH	711553
45322	TROS	416664!	45390	TROS	455509	454706C1	IH	710006
45323S	TROS	416664!	45392	TROS	416130!	454707C91	IH	410987!
45324	TROS	327303!	45393	TROS	417507!	454707C91	IH	450686
453244	SPG	473244!	45393	TROS	417507	45471	TROS	416102
453245	SPG	473245!	45394S	TROS	417507!	454729	ALLCH	415449!
453246	SPG	413246	45394S	TROS	417507	45472S	TROS	416288!
453247	SPG	413247!	45396	TROS	55524	45473S	TROS	416865!
453248	SPG	413248	45397	TROS	55532=	454755C1	IH	711553
45326	TROS	55367=	45399	TROS	55539=	45475S	TROS	455189
45327	TROS	415483!	453996R91	IH	473426	45476S	TROS	415196!
453279	TIMKE	453279	4539H	TIMKE	4539H	45477S	TROS	416153!
45328S	TROS	415483!	453R	TIMKE	453PKG	45478	TROS	417484!
45329	TROS	417537	45400	GARLK	415645!	45478S	TROS	417484!
4532N	TIMKE	4532N	45401	TROS	415697!	4548RPD	JN-MN	55316*=
45330	TROS	455375=	45401	TROS	455547	454R	TIMKE	454PKG
45331	TROS	417541	45402S	TROS	415697!	455000	NATL	417073
45332	TROS	415284	45402S	TROS	455547	455001	C-R	AR5
45333S	TROS	415284	45403	TROS	55548	455001S	TIMKE	415001
45334	TROS	415379!	45404	TROS	455556	455002	NATL	415988
45334	TROS	415379	45405	TROS	415559	455003	TIMKE	415458
453341	TIMKE	473231	45406	TROS	417433	455004S	TIMKE	417316
45335S	TROS	415379	45407	TROS	455566	455005	TIMKE	455005
45335S	TROS	415379!	45408S	TROS	417506	455006	TIMKE	417344
45337	TROS	416956	45409S	TROS	455576!	455006N	TIMKE	417344
45338S	TROS	416956	45410	TROS	415577	455007	NATL	415007
45339	TROS	475384	45412	TROS	456618	455008	TIMKE	455008
45340	TROS	55386	454136N	TIMKE	454136N	455009	TIMKE	415960
45341	TROS	415389	454136RRR	SPG	454136N	455011	TIMKE	416921
45343	TROS	55392=	45415	TROS	416070	455012	TIMKE	416654
45344	TROS	417511	45418	TROS	55611=	455013	TIMKE	415995
45345	TROS	415394	45419	TROS	455612=	455014	TIMKE	417487
45346	TROS	417549!	45420	TROS	416294!	455015	TIMKE	455015
455016	NATL	416288!	455017	NATL	456105	455018	NATL	456105
455017	NATL	456105	455019	TIMKE	476470	455019	TIMKE	476470
455018	TIMKE	476470	455018N	TIMKE	476470	455019	NATL	455019=
455019	NATL	455019=	455019	TIMKE	455019	455020	TIMKE	455020
455020	TIMKE	455020	455021	SPG	415021	455022	TIMKE	455022
455021	SPG	415021	455022	TIMKE	455022	455023	SPG	415023
455022	TIMKE	455022	455024	C-R	AR22	455024	C-R	AR22
455023	SPG	415023	455024	TIMKE	455024	455025	NATL	415025
455024	C-R	AR22	455025	NATL	415025	455026	TIMKE	455026
455025	NATL	415025	455026C1	IH	471224!	455027	TIMKE	415027
455026	TIMKE	455026	455027N	TIMKE	415027	455029	NATL	416125!
455026C1	IH	471224!	455029	NATL	416125!	455031	C-R	AR12
455027	TIMKE	415027	455031	C-R	AR12	455031	TIMKE	455031
455027N	TIMKE	415027	455032	NATL	455032	455032	TIMKE	455032
455029	NATL	416125!	455032	TIMKE	455032	455033	TIMKE	455033
455031	C-R	AR12	455033	TIMKE	455033	455034	C-R	AR10!
455031	TIMKE	455031	455034	TIMKE	415034	455035	TIMKE	415035
455032	NATL	455032	455035	TIMKE	415035	455035460	WMG	415035
455032	TIMKE	455032	455035N	TIMKE	415035	455036	NATL	415036
455033	TIMKE	455033	455036	NATL	415036	455037	TIMKE	455037
455033	TIMKE	455033	455039	SPG	417513	455039	SPG	417513
455034	C-R	AR10!	45504	ALLCH	416888!	45504	ALLCH	416888!
455034	TIMKE	415034	455040	NATL	416891!	455040	SPG	416891!
455035	TIMKE	415035	455040	SPG	416891!	455041	NATL	415041
455035460	WMG	415035	455041	NATL	415041	455044	SPG	417514
455035N	TIMKE	415035	455044	SPG	417514	455045	SPG	415045!
455036	NATL	415036	455045	SPG	415045!	455046	SPG	417520
455036	NATL	415036	455046	SPG	417520	455047	SPG	415047
455037	TIMKE	455037	455047	SPG	415047	455049	NATL	416892!
455039	SPG	417513	455053	NATL	415138!	455053	NATL	415138!
45504	ALLCH	416888!	455054	NATL	417223	455054	NATL	417223
455040	NATL	416891!	455054SSR	SPG	417223	455054SSR	SPG	417223
455040	SPG	416891!	455056	TIMKE	455056	455056	TIMKE	455056
455041	NATL	415041	455057	SPG	417516	455057	SPG	417516
455044	SPG	417514	455058	NATL	415058	455058	NATL	415058
455045	SPG	415045!	455059	SPG	417238	455059	SPG	417238
455046	SPG	417520	455060	NATL	370019A	455060	NATL	370019A
455047	SPG	415047	455060	TIMKE	455060	455060	TIMKE	455060
455049	NATL	416892!	455062	TIMKE	415351	455062	TIMKE	415351
455053	NATL	415138!	455064	SPG	415064	455064	SPG	415064
455054	NATL	417223	455065	SPG	417536	455065	SPG	417536
455054SSR	SPG	417223	455066	SPG	415066	455066	SPG	415066
455056	TIMKE	455056	455068	TIMKE	417269	455068	TIMKE	417269
455057	SPG	417516	455069	SPG	417273	455069	SPG	417273
455058	NATL	415058	455070	TIMKE	416865	455070	TIMKE	416865
455059	SPG	417238	455070N	NATL	416865	455071	NATL	417546!
455060	NATL	370019A	455071	NATL	417546!	455072	NATL	415072
455060	TIMKE	455060	455072	NATL	415072	455073	TIMKE	455073
455062	TIMKE	415351	455074	SPG	415074	455074	SPG	415074
455064	SPG	415064	455075	TIMKE	416476	455075	TIMKE	416476
455065	SPG	417536	455079	NATL	455079=	455079	NATL	455079=
455066	SPG	415066	455079	NATL	55079	455079	NATL	55079
455068	TIMKE	417269	455079	TIMKE	455079	455080	TIMKE	455080
455069	SPG	417273	455080	TIMKE	455080	455082	NATL	415082
455070	TIMKE	416865	455082	NATL	415082	455082	WMG	415082
455070N	NATL	416865	455084	NATL	416239!	455084	NATL	416239!
455071	NATL	417546!	455086	TIMKE	417487	455086	TIMKE	417487
455072	NATL	415072	455088	TIMKE	415088	455088	TIMKE	415088
455073	TIMKE	455073	455088V	TIMKE	415088	455088V	TIMKE	415088

! Industrial Size/Type * Minor Width Difference = Call 1-800-480-1212 for price and delivery.

Zero Duplication or Recommended			Zero Duplication or Recommended			Zero Duplication or Recommended			Zero Duplication or Recommended		
Mfr. No.	Name	Industrial	Mfr. No.	Name	Industrial	Mfr. No.	Name	Industrial	Mfr. No.	Name	Industrial
455090	SPG	415090	455183	NATL	417205!	455297	TIMKE	455297	455452R91 IH		481443!
455091	TIMKE	416167	455183	SPG	417205!	455299	SPG	417600	455453R91 IH		471827!
455093	TIMKE	411376	455185	NATL	417211!	455300	NATL	417601	455458	SPG	415458!
455094	NATL	416444	455186	NATL	417967!	455301	TIMKE	455301	455460	SPG	417545
455095	NATL	416271!	455186	NATL	417967=	455301SSR	SPG	55301S	455461	SPG	455576!
455096	TIMKE	411245	455186	TIMKE	417967	455303	SPG	415303!	455462	TIMKE	455462
455098	NATL	415302	455188	TIMKE	455188	455304	SPG	476470	455464	SPG	417550
4550A	DIA	471689!	455189	TIMKE	455189	455308	TIMKE	455308	455471	TIMKE	455471
4550A	HERCU	471689!	455191	TIMKE	455191	455309	CLARK	472179	455473	NATL	417518
4550B	JN-MN	417621!	455192	TIMKE	455192	45531	SPG	45031S	455475	TIMKE	455475
455104	TIMKE	455104	455194	TIMKE	455194	455310	TIMKE	455310	455476	TIMKE	455476
455105	NATL	415938	455195	TIMKE	472157	455311	TIMKE	455311	455479	TIMKE	417350
455106	NATL	417556	455196	NATL	415196!	455312	SPG	417278	455479	WMG	417350!
455107	NATL	416666	455197	SPG	455197N	455315	NATL	415984!	455479V	TIMKE	417350
455107	SPG	416666	455197	TIMKE	455197	455318	SPG	417542	455480	NATL	455480=
455109	C-R	AR20	455197N	TIMKE	455197N	455319	SPG	417495	455480	TIMKE	455480
455109	NATL	417562	455197SSR	SPG	455197	45531S	SPG	45031S	455480V	SPG	455480
455111	NATL	416229	455198	TIMKE	455198	455321	TIMKE	455321	455480V	TIMKE	455480
455111SSR	SPG	416229	455200	NATL	416888	455322	TIMKE	417484	455483	SPG	415483
455114	SPG	455584	455200	TIMKE	416888	455322N	TIMKE	417484	455486	SPG	415937!
455117	TIMKE	455117	455200N	TIMKE	416888	455322V	TIMKE	417484	455487	SPG	417555!
455121	TIMKE	455121	455200SSR	SPG	416888!	455325	SPG	417532	455489	SPG	417603!
455121V	TIMKE	455121	455201	SPG	417509	455328	TIMKE	455328	455495	SPG	417547
455121VGR	SPG	455121	455203	TIMKE	455203	455330	NATL	455330=	455498	SPG	415498
455122	SPG	417602!	455204	SPG	417515	455330	TIMKE	455330	455499	TIMKE	418029
455123	TIMKE	455123	455205	SPG	416137	455336	TIMKE	455336	455500	C-R	417533
455126	SPG	417604	455206	SPG	416144	455341	SPG	417494	455500	NATL	455500
455128	SPG	415128	455207	SPG	416149	455342	SPG	417531	455500	TIMKE	455500
455129	TIMKE	455129	455208	CLARK	474278!	455347	NATL	417159	455502	SPG	455583N!
455130	SPG	417474	455209	SPG	416154!	45534TA	TRSCM	417530	455509	TIMKE	455509
455134	NATL	455134=	45521	HYST	473226	455350	SPG	415350	45551	C-R	417533
455134	TIMKE	455134	455211	NATL	416158	455354	NATL	416404!	455511	NATL	2081
455136	TIMKE	455136	455212	SPG	417535	455355	TIMKE	417158	455512	SPG	416130!
455137	NATL	416888	455213	NATL	417247!	455356	TIMKE	455356	455513	TIMKE	417507
455137	TIMKE	455137	455214	CLARK	471570!	455364	TIMKE	416664	455513SSR	SPG	417507
455138	SPG	415138!	455214	SPG	416163	455368	TIMKE	415483	455513SSR	SPG	417507!
455140	SPG	417554!	455217	SPG	417267	455369	TIMKE	416273	455517	SPG	416364!
455142	SPG	415142	455219	SPG	415219	455370	SPG	417537	455536	TIMKE	455536
455144	TIMKE	455144	455225	SPG	417020	455371	NATL	415371	455547	TIMKE	455547
455145	NATL	417172	455233	SPG	417538	455377	NATL	417541	45554S	TROS	471570!
455146	TIMKE	455146	455234	NATL	415234!	455378	NATL	415284	45555	TROS	473228
455147	TIMKE	415449	455244	NATL	417481	455378H	TIMKE	415284	455551	NATL	415551
455148	SPG	417366!	455245	SPG	416024	455379	TIMKE	415379	455556	TIMKE	455556
455149	SPG	417343!	455247	SPG	417540	455379V	NATL	3893V	455559	SPG	415559
455150	NATL	415150!	455248	SPG	412861	455379V	TIMKE	415379	45555TA	TRSCM	416888!
455151	TIMKE	455151	455249	NATL	455249	455380	SPG	410825	455566	TIMKE	455566
455152	SPG	417134	455249	TIMKE	455249	455383	NATL	416956	455575	SPG	417506
455153	NATL	417486	45525	SPG	45525S	455389	SPG	415389	455576	NATL	455576=
455154	TIMKE	417351	455250	SPG	415303!	455393	SPG	417511	455576	TIMKE	455576
455156	NATL	417621!	455251H	TIMKE	455251H	455394	SPG	415394	455577	SPG	415577
455158	NATL	417488!	455253	TIMKE	455253	455395	SPG	417549!	455583N	NATL	455583N
455160	SPG	417171!	455254	SPG	415254	455396	TIMKE	455396	455583N	TIMKE	455583N
455161	SPG	417490	455255	SPG	417198	4553B	JN-MN	473245!	455583SSR	SPG	455583N!
455162	NATL	417181!	455258	SPG	417252	455406	NATL	455406=	455584	TIMKE	455584
455162	SPG	417181!	455258R91	IH	41013S	455406	TIMKE	455406	45560	C-R	457585!
455163	SPG	417491	455259	SPG	415259!	455421	SPG	417564	455601	SPG	416070
455164	SPG	412473!	45525S	TIMKE	45525S	455423	SPG	417503	455613	SPG	416294!
455164S	SPG	412473!	455260	TIMKE	455260	455434	TIMKE	455434	455615	NATL	418028
455164S60	SPG	412473!	455262	SPG	417496	455437	NATL	415437	455615	NATL	455137!
455165	TIMKE	455165	455263	NATL	415263	455437N	NATL	415437	455618	SPG	416029N!
455166	SPG	417492	455265	SPG	456305	455437N	TIMKE	415437	45561D	IH	470530!
455168	SPG	417354!	455270	SPG	417605	455437RRR	SPG	415437	455645	SPG	415645!
455170	NATL	417196!	455271	NATL	415725!	455446R91	IH	413469!	45564SA	TRSCM	416153
455172	NATL	416332!	455272	TIMKE	416706	455447	NATL	415447	455655	NATL	455655=
455172N	NATL	416332!	455273	SPG	417254	455447R91	IH	470088	455655	TIMKE	455655
455172N	NATL	455172	455280	TIMKE	455280	455448	TIMKE	417262	455659	SPG	416267!
455173	TIMKE	415437	455281	NATL	417349	455448R91	IH	471795	455685	NATL	370131A
455174	SPG	417497	455282	NATL	416364!	455449	NATL	415449!	455685	TIMKE	455685
455175	SPG	415937!	455290	TIMKE	455290	455449R91	IH	450593!	455697	SPG	415697!
455177	NATL	415379!	455294	TIMKE	415294	455450R91	IH	473463	455699	SPG	416364!
455177	NATL	415379!	455295	SPG	415295	455451R91	IH	471466!	455725	SPG	415725!
455181	SPG	417355!	455296	SPG	417082	455452	SPG	417597	455728	SPG	416071

! Industrial Size/Type = Call 1-800-480-1212 for price and delivery.

NUMERICAL

Zero Duplication or Recommended Industrial		Zero Duplication or Recommended Industrial		Zero Duplication or Recommended Industrial		Zero Duplication or Recommended Industrial		
Mfr. No.	Name	Mfr. No.	Name	Mfr. No.	Name	Mfr. No.	Name	
455807A	HARWA	45X58X7!	4563 ALOY	411330	45705 C-R	370003A	458112C1 IH	412871!
455807XX	TIMKE	45X58X7	456305 TIMKE	456305	45705 C-R	386025A	45816 EATON	415458!
455820	TIMKE	455820	456339 SPG	416339	45705 C-R	416158	45825 SPG	45825S
455824	SPG	417258	45634 C-R	6644	457050 C-R	370003A	45825S TIMKE	45825S
455828V	SPG	455828V	45634008.5 TROS	417355!	457096V SPG	457096V	45827 SPG	45827S
455828V	TIMKE	455828V	45634008.5 TROS	485497	457096V TIMKE	457096V	45827S TIMKE	45827S
455832	SPG	415832	45634010 TROS	417355!	45710 GARLK	417361	4583 TIMKE	4583
455836	SPG	415995!	456345 SPG	416345!	457158 SPG	417158!	458428 IH	415995!
455836	SPG	415995!	456350 SPG	415034!	457171 SPG	417171!	45850 GARLK	417362!
455854	SPG	415854	45635610 TROS	417211!	457172 SPG	417172	458510A HARWA	45X85X10
455858	TIMKE	455858	45637S TIMKE	45637S	457181 SPG	417181!	458510XX TIMKE	45X85X10
455860	TIMKE	417480	4563V TIMKE	4563V	457191 SPG	417191	458513XX TIMKE	45X85X13
455861	SPG	6635S	45640004 TROS	45187S	457196 SPG	417196!	4585OS JN-MN	470059
455867V	SPG	415867	456414 NATL	415991	457205 SPG	417205!	4585OS JN-MN	470380!
455867V	TIMKE	415867	456414 NATL	455146!	457207XX TIMKE	45X72X7	45866 SPICE	710430
45587 HYST	471354!	455871	45645 GARLK	417247!	457210XX TIMKE	45X72X10	4587B JN-MN	450639*
455871	SPG	415871	456462 TIMKE	456462	457211 NATL	417211!	4587LUP JN-MN	450639
455872	SPG	457291	456464 TIMKE	456464	457211 WMG	417211!	458858 GMC	8622
455894	SPG	412473!	456472N TIMKE	410825	457212XX TIMKE	45X72X12	458859 GMC	8622
4558B	JN-MN	417600*	456472RA9 SPG	410825	457226 FMC	473232!	45890 GARLK	417363
455937	SPG	415937!	456476RAR SPG	416476	457247 SPG	417247!	458925R91 IH	203006!
455948	TIMKE	455948	456493 WHITE	473215!	457247R SPG	417247 =	4589A HERCU	473238
455953	NATL	415035	456494 NATL	417530	457254 SPG	417254	4589EL SUL	415995!
455953	NATL	415035!	4564B JN-MN	418028	457262 SPG	417262!	458R TIMKE	458PKG
455953	WMG	415035!	4564B JN-MN	455137!	457278 SPG	417278	45906 US-EL	415035!
455956H	TIMKE	455956H	4564V TIMKE	4564V	457278 SPG	417278	45906 US-EL	415035
455958S	TIMKE	415958	45650 GARLK	417360	45729 HYST	455280	45910 GARLK	416666
455960	SPG	415960	456500 PACIF	416500!	457291 TIMKE	457291	4592 ALOY	6936S
455963H	NATL	415379!	456508XX TIMKE	45X65X8	457294 TIMKE	457294	4592 ALOY	9845
455963H	SPG	415379!	45652 SPICE	710453	457295 TIMKE	457295	459243C1 IH	415035
455966	TIMKE	455966	45652 SPICE	45653S	457297 SPG	417562	45925 GARLK	417364
455984	SPG	415984!	45653 SPG	45653S	457299 TIMKE	457299	4592B JN-MN	481650*
455995N	TIMKE	415995	45653S TIMKE	45653S	457316 SPG	417316!	459322 FWD	471554!
455D6	WHITE	6635S	456556 SPG	416556!	45734 C-R	5751	4594B JN-MN	415697!
455R	TIMKE	455PKG	456556 SPG	472157	457343 SPG	417343!	4594B JN-MN	455547
45600	C-R	417534	456557 TIMKE	416557	457344 SPG	417344!	4594EL SUL	415001!
456007XX	TIMKE	45X60X7	456585 TIMKE	456585	457349 SPG	417349!	4596A HERCU	471192
456008XX	TIMKE	45X60X8	456618 NATL	370023A	457350 SPG	417350!	4596EL SUL	416654!
456010XX	TIMKE	45X60X10	456618 TIMKE	456618	457351 SPG	417351!	4597EL SUL	417196!
456011	SPG	417621!	456618 WMG	370023A	457352 SPG	418028	4598 ALOY	7107A =
456026	SPG	417487	456618-561 IH	370023A	457353 SPG	417353!	4598 TIMKE	4598
456026	SPG	417487!	456624 SPG	416624!	457354 SPG	417354!	459R TIMKE	459PKG
456041	SPG	416041	456641 TIMKE	456641	457355 SPG	417355!	45X58X7	45X58X7!
456047	SPG	416332!	456648 TIMKE	456648	457355 SPG	417355!	45X58X7TC TRSCM	45X58X7!
456052	TIMKE	456052	456664 SPG	416664!	457356 SPG	417356!	45X58X7TC TRSCM	45X58X7!
456055	TIMKE	456055	456666 SPG	416666	457357 SPG	417357	45X60X10SC TRSCM	45X60X10!
456055VG0	SPG	456055	45667D IH	471442!	457358 SPG	417358	45X60X10SC TRSCM	45X60X10!
456057	TIMKE	456057	45670 DANA	473227	457359 SPG	417359	45X60X7AN(35) ISP	45X60X7
4560719	MERCE	140X160X13!	456744N TIMKE	456744N	457360 SPG	417360	45X60X8SC TRSCM	45X60X8
456105	TIMKE	456105	4567809 CHRYS	4889 =	457361 SPG	417361	45X60X8SC TRSCM	45X60X8
456107	SPG	416107!	4567811 CHRYS	4890 =	457362 SPG	417362!	45X62X8SB TRSCM	1012
456125	SPG	416125!	456807XX TIMKE	45X68X7	457363 SPG	417363	45X62X8SB TRSCM	1012N
456130	SPG	416130!	456837V TIMKE	456837V	457364 SPG	417364	45X62X8SC TRSCM	45X62X8!
456135	SPG	416135!	456865 SPG	416865!	457365 SPG	417365	45X62X8SC TRSCM	45X62X8!
456141	TIMKE	456141	456865N TIMKE	416865	457366 SPG	417366!	45X62X8TB TRSCM	1992
456153	TIMKE	416153	456888 SPG	416888!	4573927 CHRYS	714655	45X65X5TB TRSCM	1992
456174	SPG	417551	456890 TIMKE	456890	457461 WHITE	6513	45X65X8SC TRSCM	45X65X8!
456192	TIMKE	456192	456891 SPG	416891!	45750 C-R	457585	45X65X8TC TRSCM	45X65X8!
456197	CLARK	240119	456892 SPG	416892!	457507XX TIMKE	45X75X7	45X68X7TC TRSCM	45X68X7!
4561V	TIMKE	4561V	456899 SPG	416899!	457585 TIMKE	457585	45X68X7TC TRSCM	45X68X7!
45620	GARLK	417254	4568R JN-MN	472150*	4576 DURA	476838!	45X70X10SC TRSCM	45X70X10
456208XX	TIMKE	45X62X8	4569 ALOY	416273	457874 TIMKE	457874	45X70X10TC TRSCM	45X70X10
45621	SPG	416271!	456919VGR SPG	416919	45788 VICK	450545	45X72X10SC TRSCM	45X72X10
456273	SPG	416273!	456921 SPG	416921!	457997 TIMKE	457997	45X72X10TC TRSCM	45X72X10
456288	SPG	416288!	456967V TIMKE	456967V	457FF2-L C-R	6465	45X72X12SC TRSCM	45X72X12!
456292	NATL	416292	45699 C-R	370006A	457R TIMKE	457PKG	45X72X12TC TRSCM	45X72X12!
456294	CLARK	471267	45699 C-R	380003A	458009V TIMKE	458009V	45X72X12TC TRSCM	45X72X12!
456294	SPG	416294!	456A34010 TROS	417355!	458010XX TIMKE	45X80X10	45X72X7TC TRSCM	45X72X7!
4562V	TIMKE	4562V	456FF2-L C-R	6465	4580562 RCA	471571	45X72X7TC TRSCM	45X72X7!
			456R TIMKE	456PKG	4580563 RCA	415379	45X72X95SC TRSCM	45X72X95
			457010XX TIMKE	45X70X10	4580563 RCA	415379!	45X72X95TC TRSCM	45X72X95
			45701K TROS	5401	4580566 RCA	470625!	45X75X7TC TRSCM	45X75X7!
			45702D IH	473214	4580567 RCA	415449!	45X75X7TC TRSCM	45X75X7!
			457034 TIMKE	416404	458111C1 IH	481181!	45X75X8SB TRSCM	1979

! Industrial Size/Type * Minor Width Difference = Call 1-800-480-1212 for price and delivery.

Zero Duplication or Recommended Industrial		Zero Duplication or Recommended Industrial		Zero Duplication or Recommended Industrial		Zero Duplication or Recommended Industrial						
Mfr. No.	Name	Mfr. No.	Name	Mfr. No.	Name	Mfr. No.	Name					
45X80X10SC	TRSCM	45X80X10		46050PM	VIC	417158!	4610506	KOEH	415116	4616VJ	SPG	714616
45X80X10TC	TRSCM	45X80X10		46052	VIC	415899N	4610B	JN-MN	471466!	46171	VIC	323138!
45X85X10	SIMRT	45X85X10		46052	VIC	416624	46110	VIC	417621	46172	VIC	471267!
45X85X10SC	TRSCM	45X85X10		46052M4	VIC	416624	4611035	WOOL	417602!	46173	VIC	204020
45X85X10TC	TRSCM	45X85X10		46053	TROS	472287!	46111	VIC	470954	46173	VIC	204505!
45X85X13SC	TRSCM	45X85X13		46053	VIC	5778	46112	VIC	470487!	46174	VIC	471763
45X85X13TC	TRSCM	45X85X13		46055	TROS	473010!	46113	VIC	323126	46175	VIC	311189
460-6001	STEM	475003N+99262		46055	VIC	472560N!	46113	VIC	474278!	46176	VIC	7412S
460-6002	STEM	9773+99262		46057	VIC	5589\$	4611315	KOEH	415483	46177	VIC	203006!
460-6003	STEM	416500		46057	VIC	6957=	46114	VIC	473234!	46179	VIC	40316S
460-6004	STEM	475322N+99274		46058	TROS	415449!	4611441	KOEH	415991	46181	HYST	50528
460-6005	STEM	475009N+99274		46058	VIC	253099	4611441	KOEH	455146!	46181	VIC	417350!
460-6006	STEM	475012N+99293		46058	VIC	471652	4611442	KOEH	47158!	46182	VIC	471652
460-6007	STEM	415013N+99300		46058	VIC	482208!	46115	VIC	471553!	461823-P60	IH	JX1120
460-6008	STEM	476283N+99274		46060	C-R	710089	4611502	KOEH	416364!	46183	VIC	471341!
460-6009	STEM	475458+99262		46060	TROS	417344!	46116	VIC	470625!	46186	VIC	311189
460-6011	STEM	415304+99324!		46060	VIC	6840S	4611773	ALLCH	471567!	46188	VIC	470328
460-6012	STEM	415086N+99300!		46061	VIC	472015!	46117735	ALLCH	471567!	46188	VIC	481213!
460-6013	STEM	415004+99274		46062	VIC	471829	46120	VIC	7018N=	46189	VIC	417343!
46000	VIC	41081S=		46063	VIC	471442!	46121	VIC	9568	46190	C-R	415371
46002	TROS	471192		46065	DANA	710429	46122	VIC	44053	46190	VIC	6906S
46002	VIC	6626S		46065	TROS	416444	46123	VIC	6703S	46192	VIC	6863S!
46003	VIC	415302		46065	VIC	473234!	4612310	KOEH	412040	46194	VIC	343101
46004	SPICE	9864S		46066	DANA	710428	4612319	KOEH	417484!	46195	VIC	471466!
46006	VIC	6636S		46068	TROS	415379	46125	C-R	456641	46196	VIC	254270
46007	VIC	476470		46068	VIC	7994S	46125	VIC	470334!	461964	WHITE	5473
46008	VIC	6815		46070	VIC	473231!	46128	VIC	472287!	46197	VIC	471270!
46009	VIC	473016!		46073	VIC	473224	46130	VIC	473317	461970	WHITE	5406
46010	VIC	473228!		46076	VIC	205017	46131	VIC	7686S	46198	VIC	471652
46011	VIC	451857		46077	VIC	340771	461312M1	C-R	417354!*	46199	VIC	353135
46012	VIC	474281!		46078	VIC	474278!	46132	VIC	472705!	46199	VIC	474278!
46013	VIC	472164!		46078	VIC	6859S	46133	VIC	472185!	4619EL	SUL	473461!
46013S	TROS	75251S		46080	VIC	473367	46134	VIC	321460	461V1502	KOEH	416364!
46014	VIC	410308		46080	VIC	473367!	46135	VIC	417316!	461W316-M1	C-R	417196!*
46015	VIC	415001!		46081	VIC	5128N	46136	VIC	455500	461W316-Y13	C-R	417196!*
46017	VIC	417134		46084	VIC	471413	4613N	TIMKE	4613N	461W320	C-R	416332!
46018	VIC	450666		46085	VIC	710409	46140	VIC	410059	461W320-M1	C-R	416332!
46019	VIC	471195!		46087	VIC	416273	46140	VIC	470059	461W34	C-R	416297
46020	TROS	200600		46087	VIC	473367*	46140	VIC	470380!	4620	CLIN	340724!
46020	VIC	240733		46087	VIC	473367	46140SF	VIC	470059	46200	C-R	415371
46021	TROS	80313		46089	VIC	6808N	46141	VIC	473234!	46200	VIC	8139
46025	TROS	200640		46090	VIC	9150S	46143	VIC	7188S	46201	TROS	6358
46025	VIC	204017		46091	VIC	473467	4614392	ALLCH	455008	46201	VIC	480630!
46026	VIC	6759S		46093	VIC	7044NA	46144	C-R	416156	46202	CUSH	471652
46027	VIC	340413		46095	VIC	324941	46144	VIC	473234	46202	TROS	417355!
46028	VIC	473224!		46096	VIC	3095	461449	ALLCH	472394	46202	TROS	485497
46030	GARLK	417365		46097	VIC	473215!	46145	VIC	342805	46202	VIC	352541
46030	VIC	6952S=		46098	VIC	9613S	461456	ALLCH	472394	46202M	DIA	5957S
460300R91	IH	471692!		46099	VIC	6985	46148	VIC	474276!	46202S	TROS	417355!
46032	VIC	323119		460R	TIMKE	460PKG	46149	VIC	471442!	46202S	TROS	485497
46033	TROS	7208S		460W36-Y13	C-R	6358	4614N	TIMKE	4614N	46203	TROS	2081
46033	VIC	7886S		46100	VIC	6930	46150	C-R	416156	46203	VIC	473214
46036	VIC	712260		4610001	KOEH	471619!	46150	VIC	470605!	46205	VIC	471195!
46038	VIC	473226		46101	TROS	40973S	4615166	ALLCH	471766!	46206	VIC	472354!
46038Q6	C-R	417353!		46102	VIC	472287!	4615167	ALLCH	471735	46208	VIC	5092
46039	VIC	1192		4610204	KOEH	470086	46153	VIC	5072	46209	VIC	7456N
46039	VIC	473231!		46103	VIC	471689!	46156	VIC	7044NA	46210	VIC	473179
46039	VIC	473231!		4610309	KOEH	471341!	46157	VIC	411253!	46211	C-R	415371
46040	VIC	470565!		4610314	KOEH	410825	46158	VIC	8362	46211	VIC	417344!
46041	VIC	7537S		4610323	KOEH	55238	46159	VIC	5126	46213	VIC	7014S
46042	TROS	200642		46104	VIC	323133	4615V	TIMKE	4615V	46214	VIC	472705!
46043	VIC	3103!		4610400	KOEH	417549!	46160	VIC	472164!	46215	VIC	5113
46044	VIC	451948		4610401	KOEH	415047	46162	VIC	7216	46215	VIC	7721
46045	TROS	450040		4610402	KOEH	415150!	46163	VIC	470605!	46217	VIC	415995!
46046	VIC	470059		4610409	KOEH	456105	461642R91	IH	471808!	46219	VIC	472572!
46046	VIC	470380!		4610411	KOEH	415035!	46165	VIC	331107N	4621939	CHRY	710056
46047	TROS	473367		4610411	KOEH	415035	4616570	ALLCH	415041	46220	VIC	471138!
46047	VIC	40185		4610413	KOEH	415066	46165S	TROS	6626S	46220PH	VIC	471138!
46048	TROS	473228!		4610423	KOEH	412473!	46166	VIC	7107A=	46221	C-R	415371
46048	VIC	6960		4610426	KOEH	415027	46167	TROS	40576S	462214	C-R	55346
46049	VIC	471829		4610441	KOEH	417254	46167	VIC	7107A=	46227	VIC	7338N
46050	GARLK	415072		4610502	KOEH	415072	4616954	ALLCH	411253!	462271	VIC	7338N

! Industrial Size/Type * Minor Width Difference \$ F-M Number Is Part Of A Kit = Call 1-800-480-1212 for price and delivery.

NUMERICAL

Zero Duplication or Recommended		Zero Duplication or Recommended		Zero Duplication or Recommended		Zero Duplication or Recommended	
Mfr. No.	Name	Mfr. No.	Name	Mfr. No.	Name	Mfr. No.	Name
46230	VIC	46287	GMC	46330	VIC	46403	VIC
46231	VIC	46286	VIC	46331	C-R	46404	VIC
4623109	SCOT	462864	GMC	46331	VIC	46404094	FIAT
462312	C-R	46288	VIC	46333	VIC	46408	VIC
462312M1	C-R	46289	VIC	46334	VIC	46409	VIC
462314	C-R	46290	VIC	46336	C-R	4640B	JN-MN
462314M1	C-R	46291	C-R	46336	VIC	4641	C-R
462316	C-R	46291	VIC	46337	VIC	46410	VIC
462316	GOODM	46292	C-R	46338	VIC	46411	SPICE
462316	GR-DV	46292	VIC	46340	TROS	46411	VIC
462316M1	C-R	46292	VIC	46340	VIC	46411-1	SPICE
462318	C-R	46293	VIC	463425R91	IH	46412	VIC
462318M1	C-R	46293	VIC	46343	VIC	4641982	ALLCH
462320	C-R	46294	VIC	46344	VIC	46423	VIC
462320	MINMA	46295	C-R	4634451	RFT	46423	VIC
462320M1	C-R	46296	VIC	46346	VIC	46424	VIC
46235	VIC	46297	VIC	46347	VIC	464244C1	IH
46239	VIC	46298	VIC	46348	VIC	464244C2	IH
46240	VIC	462W312-M1	C-R	46349	VIC	464260	WHITE
46240	VIC	462W314	C-R	46350	VIC	46431	VIC
46241	TROS	462W316	C-R	46356	VIC	46431S	TROS
46241	VIC	462W316-M1	C-R	46358	VIC	46432	VIC
46242S	TROS	462W38	C-R	46359	VIC	46433	VIC
46243	VIC	463	KRSE	46361	VIC	46434	VIC
46244	VIC	46300	C-R	46362	VIC	46435	VIC
46246	VIC	46300	C-R	46362502	CHRYS	46436	VIC
46247	VIC	46300	C-R	46366	VIC	46438	VIC
46247	VIC	46300	VIC	46368	VIC	46439	VIC
46248	VIC	4630121	ALLCH	46368	VIC	46442	VIC
46249	VIC	46302	VIC	46369	VIC	46445	HYST
4624N	WMG	463024	GMC	46370	VIC	46447	VIC
4624V	TIMKE	4630273	ALLCH	46371	VIC	46449	VIC
4624VX8	SPG	46303	VIC	46372	VIC	46450	VIC
46250	VIC	46304	C-R	46373	VIC	46452	VIC
46251	VIC	46305	C-R	46374	VIC	46453	VIC
46252	VIC	46306	C-R	46374	VIC	46454	VIC
46253	VIC	46306	VIC	463748	GMC	46456	VIC
46254	VIC	463064	GMC	46375	VIC	46457	VIC
46255	VIC	46307	VIC	46376	VIC	4646	C-R
46256	VIC	46307	VIC	46377	VIC	46460	VIC
46257	VIC	46308	C-R	4637776	CHRYS	46461	VIC
46258	VIC	46308	VIC	46377PM	VIC	46461	VIC
46260	TROS	46308	VIC	46378	VIC	464633	SPICE
46260	VIC	4630820	ALLCH	46379	VIC	464634	SPICE
46261	VIC	4630856	ALLCH	46379PM	VIC	464638	SPICE
46263	VIC	46309	C-R	46380	VIC	464649	WHITE
4626515	CHRYS	46309	VIC	46380	VIC	464649	WHITE
4626696	CHRYS	46310	VIC	46383	VIC	46467	VIC
46268	VIC	46313	VIC	46383	VIC	46467	VIC
46269	VIC	46314	VIC	46384	VIC	46469	VIC
46269	VIC	46316	VIC	46386	VIC	46469	VIC
4626A	HERCU	46317	VIC	46386SE	VIC	46470	VIC
46270	VIC	46317-4-22	IH	46388	VIC	46471	VIC
46271	VIC	46318	VIC	4638904	CHRYS	46473	VIC
46272	VIC	46318	VIC	4638904	CHRYS	46476	VIC
46274	VIC	46319	VIC	4638941	CHRYS	46477	VIC
46276	C-R	46320	VIC	46390	C-R	46478	VIC
46276	VIC	46321	VIC	46390	VIC	46481	VIC
46277	VIC	46322	VIC	46392	VIC	46482	HYST
46278	VIC	46323	VIC	46393	VIC	46482	VIC
46279	VIC	46324	C-R	46394	VIC	46483	VIC
46280	VIC	46324	VIC	46395	C-R	46485	DANA
462805	GMC	46325	VIC	46395	C-R	46485	SPICE
46281	VIC	46326	VIC	46395	VIC	46485-1	DANA
462811	GMC	46327	VIC	46396	C-R	46485-1	SPICE
46282	VIC	46327	VIC	46396	VIC	46486	VIC
46282D	IH	46327	VIC	46397	VIC	4648608	CHRYS
46283	VIC	46328	VIC	46398	VIC	46487	VIC
462837	WHITE	46328	VIC	4640	C-R	46489	VIC
46284	VIC	46328SF	VIC	46400D	IH	4648B	JN-MN
46285	C-R	4633	SPICE	46401	VIC	464910R91	IH
46285	VIC	46330	C-R	46401D	IH	46494	VIC

! Industrial Size/Type * Minor Width Difference = Call 1-800-480-1212 for price and delivery.

Zero Duplication or Recommended			Zero Duplication or Recommended			Zero Duplication or Recommended			Zero Duplication or Recommended		
Mfr. No.	Name	Industrial	Mfr. No.	Name	Industrial	Mfr. No.	Name	Industrial	Mfr. No.	Name	Industrial
464967	WHITE	473460	46770	VIC	415351!	46865	C-R	415284	46950	BOSTN	473205!
4649B	JN-MN	450165	46773	VIC	39807	46871	C-R	415284	46950	C-R	417536
4649B	JN-MN	471801!	46774	VIC	415697!	46876	SPERY	204008	46951	BOSTN	473205!
4649EL	SUL	473179!	46774	VIC	455547	46876	VICK	204008	46952	BOSTN	471413!
4650	C-R	320457	46776	VIC	415035	468849	WHITE	473245!	46953	BOSTN	471413!
4650B	JN-MN	416125!	4677B	JN-MN	471466!	46886	SPERY	340853	46954	BOSTN	471737
465155C1	IH	473274	46780	VIC	416865!	46886	VICK	340853	46955	BOSTN	471737
4651899	SCOT	343185	467807	WHITE	5403	46890	C-R	417535	46956	BOSTN	471766!
46540	TROS	410308!	467812	WHITE	6635S	468961R91	IH	41013S	46957	BOSTN	471766!
465483	GMC	710005	46782	VIC	415213N	46898	BOSTN	471442!	46958	BOSTN	471795
4654F	GOODM	416666	46783	VIC	415867	46899	BOSTN	471442!	46959	BOSTN	471795
4655	C-R	470004	467836	WHITE	733114	468W22-L	C-R	6077	46960	BOSTN	473210
465511C91	IH	370131A	46784	VIC	416339	46900	BOSTN	471526!	46960S	TROS	473229
465611	WHITE	451583!	46784	VIC	455031!	46901	BOSTN	471526!	46961	BOSTN	473210
46565TA	TRSCM	416156	46785	VIC	415295	46902	BOSTN	471472!	46962	BOSTN	473211!
4656F	GOODM	416666	4678B	JN-MN	473445*	46903	BOSTN	471472!	46963	BOSTN	473211!
4658	C-R	470004	46790	C-R	415284	46904	BOSTN	471466!	46964	BOSTN	473212!
4659	C-R	470004	46790PM	VIC	416364!	46905	BOSTN	471466!	46965	BOSTN	473212!
4660478	ALLCH	471689!	46791	VIC	55532=	46906	BOSTN	471264!	46966	BOSTN	473213!
466174R91	IH	341022	46794	VIC	415991	46907	BOSTN	471264!	46967	BOSTN	473213!
466174R92	IH	341022	46795	VIC	416364!	46908	BOSTN	471255!	46968	BOSTN	472258!
4661872	ALLCH	473474	46795M2	VIC	416364!	46908	KEN	J1401=	46969	BOSTN	472258!
46626	HYST	473234!	46798	VIC	416037=	46909	BOSTN	471255!	46969A	GMC	2081
4662VJR	SPG	714662	46799	VIC	417247!	46910	BOSTN	471564	46970	BOSTN	471192
46648	DANA	5778V	467F	OSHKO	411253!	46911	BOSTN	471564	46970	C-R	417537
46648	SPICE	5778V	46800	C-R	415284	46912	BOSTN	470954!	46971	BOSTN	471192
46648	VIC	5778V	46801	VIC	417600	46913	BOSTN	470954!	46972	BOSTN	473214!
4664872	ALLCH	473474	46802	VIC	415379!	46914	BOSTN	471554!	46973	BOSTN	473214!
466507XX	TIMKE	46X65X7	46803	VIC	418028	46915	BOSTN	471554!	46974	BOSTN	473215!
466588	WHITE	5408	46804	VIC	415035!	46916	BOSTN	471567!	46975	BOSTN	473215!
46661TB	TRSCM	7700S!	46808	VIC	455948	46917	BOSTN	471567!	46975D	IH	410102
46671	HYST	416380!	46809	VIC	415035	46917D	IH	472397!	46976	BOSTN	473224!
4667198	CHRYS	320348	46810	C-R	415284	46918	BOSTN	471643!	46976D	IH	473215!
4667322	CHRYS	710056	46810	VIC	415035	46919	BOSTN	471643!	46977	BOSTN	473224!
46676	VIC	415035	46811	C-R	415284	4691B	JN-MN	415025*	46977D	IH	473447
4667904	CHRYS	5279	46811	VIC	417357	46920	BOSTN	471267!	46978	BOSTN	473016!
4667904	CHRYS	710056	46811	VIC	455192!	46920	C-R	45637S*	46978D	IH	415995!
466809	WHITE	6270	46812	VIC	417357	46921	BOSTN	471267!	46979	BOSTN	473016!
466810	WHITE	5401	46813	VIC	357302	46922	BOSTN	471570!	46979D	IH	410694!
46683	HYST	417254	46813	VIC	415991	46923	BOSTN	471570!	4697B	JN-MN	471224!
466867	WHITE	410825	46814	VIC	415379	46924	BOSTN	471646!	46980	BOSTN	473225
46688	VIC	416888!	46815	VIC	415227!	46925	BOSTN	471646!	46980D	IH	415991
46689	VIC	416888!	46817	VIC	416273	46926	BOSTN	470590	46980D	IH	455146!
46690	VIC	416888!	46817PM	VIC	416125!	46927	BOSTN	470590	46981	BOSTN	473225
46691	VIC	416888!	46818	VIC	415035	46928	BOSTN	471224!	46982	BOSTN	473226
46697	HYST	471413!	46820	VIC	415498	46929	BOSTN	471224!	46982D	IH	481864
467008XX	TIMKE	46X70X8	46829	VIC	3492V	46930	BOSTN	471649!	46983	BOSTN	473226
4670305	ALLCH	472397!	46831	HYST	415350	46930	C-R	45637S*	469835R91	IH	7186S
467141	BENDI	340210	468312	C-R	455249!	46931	BOSTN	471649!	46983D	IH	412119!
4674B	JN-MN	473238	468312M1	C-R	455249!	46932	BOSTN	471689!	46984	BOSTN	473227!
4674N	TIMKE	4674N	46838	VIC	BS15868	46933	BOSTN	471689!	469844C1	IH	370150A
46750	KELSE	203025	46839	VIC	415725!	46934	BOSTN	471733	469845C1	IH	415437
46751	VIC	455583N!	4683B	JN-MN	471649!	46935	BOSTN	471733	46984D	IH	416921!
46752	VIC	415938	46841ST	VIC	370065A	46935	C-R	417535	46985	BOSTN	473227!
46754	VIC	415725!	46842	VIC	370036A>	46936	BOSTN	471652	46986	BOSTN	470625!
46754	VIC	485725H=	46842	VIC	370349A%	46936	BOSTN	482208!	46987	BOSTN	470625!
46755	VIC	6864S	46842ST	VIC	370036A	46937	BOSTN	471652	46988	BOSTN	470380!
46757	VIC	415379	46842ST	VIC	370349A	46938	BOSTN	471692!	46989	BOSTN	470380!
467574	WHITE	415960	46843	VIC	415284	46939	BOSTN	471692!	4698B	JN-MN	473238
46758	VIC	327215	46844	VIC	455956H	4693B	JN-MN	50419	46990	BOSTN	473228!
46758	VIC	415035!	46844	VIC	BS40116	46940	BOSTN	470712!	46991	BOSTN	473228!
46759	VIC	415213N	46845	VIC	370036A	46941	BOSTN	470712!	46992	BOSTN	472213
4675VA8	SPG	714675	46845	VIC	370349A	46942	BOSTN	471763	46993	BOSTN	472213
46760	TROS	5585	46846	VIC	415035!	46943	BOSTN	471763	46994	BOSTN	472299
46761	TROS	5585	46847	VIC	370037A	46944	BOSTN	473203	46995	BOSTN	472299
46761	VIC	415284	46847	VIC	370338A	46945	BOSTN	473203	46996	BOSTN	473229!
46763	VIC	455858	46848	VIC	370107A	46946	BOSTN	472475	46997	BOSTN	473229!
46765	VIC	476842	46849	VIC	370027A	469461	WHITE	5471	46997S	TIMKE	46997S
46767	VIC	415027	4684B	JN-MN	471413!*	46947	BOSTN	472475	46998	BOSTN	470682
46767	VIC	415138!	46850	VIC	415958!	46948	BOSTN	471765!	46999	BOSTN	470682
46768	VIC	416865!	46850	VIC	415958	46949	BOSTN	471765!	4699B	JN-MN	417492
46769	VIC	456618	46851	C-R	415284	4694B	JN-MN	471649!	46X65X7SC	TRSCM	46X65X7!

! Industrial Size/Type * Minor Width Difference > Hub Mount % Spindle Mount = Call 1-800-480-1212 for price and delivery.

NUMERICAL

Zero Duplication or Recommended Industrial		Zero Duplication or Recommended Industrial		Zero Duplication or Recommended Industrial		Zero Duplication or Recommended Industrial	
Mfr. No.	Name	Mfr. No.	Name	Mfr. No.	Name	Mfr. No.	Name
46X65X7TC TRSCM	46X65X7!	470115 SPG	473467	470230 TIMKE	471689	47036 BOSTN	473241
46X70X8SC TRSCM	46X70X8!	470119 SPG	471442!	470236 SPG	470712!	47036 VIC	415196!
46X70X8TC TRSCM	46X70X8!	470119 TIMKE	471442	470236 TIMKE	470712	470361 TIMKE	472193
47000 BOSTN	473230!	47012 BOSTN	473235!	47024 BOSTN	472439	470362 TIMKE	450362
470004 NATL	470004	47012 VIC	471504!	47024 VIC	55238	47036S TROS	415458!
470004 TIMKE	470004	470120 TIMKE	471224	470241 TIMKE	471785	47037 BOSTN	473241
470005 TIMKE	471526	470120SSR SPG	471224	470241SSR SPG	471785	47037S TROS	415146!
4700052404 BUSHH	240462	470121 SPG	472409!	470244 SPG	471787!	47037S TROS	415991
470009 TIMKE	471466	470129 TIMKE	472826	470244 TIMKE	471787	47038 BOSTN	472144!
47000S TROS	240009	47012S TROS	203003	470244SSR SPG	471787	47038 VIC	40169S
47001 BOSTN	473230!	47013 BOSTN	473235!	470245 TIMKE	471795	470380 NATL	410059
47001 VIC	474279N	47013 VIC	450472!	47025 BOSTN	472439	470380 NATL	470059
470014 TIMKE	471472	470135 SPG	471192	47025 TROS	205015	470380 NATL	472189A!
470018 TIMKE	471264	470135 TIMKE	471192	47025 VIC	475384	470380 NATL	9613S
47001S TROS	203029	470135SSR SPG	471192	47026 BOSTN	472572!	470380 TIMKE	470380
47002 BOSTN	473231!	470136 SPG	470625!	47026 TROS	204020	470380A TIMKE	470380
47002 VIC	471564	470138V TIMKE	473459	47026 TROS	204505!	470380V TIMKE	470380
470023 TIMKE	471255	47013S TROS	203003	47026 VIC	455310	470389 SPG	472492!
470025 TIMKE	471553	47014 BOSTN	473236!	47027 BOSTN	472572!	47039 BOSTN	472144!
470025SSR SPG	471553	47014 VIC	450474	47027 TROS	205035	47039 VIC	473228
470027 TIMKE	471554	470140N TIMKE	471413	47027 VIC	455144	470390 TIMKE	470390
47003 BOSTN	473231!	470140RRR SPG	471413	47028 BOSTN	473238!	470394 SPG	473227!
47003 VIC	471529	470141 SPG	470954!	47028 VIC	417350!	470394 TIMKE	473227
470032 TIMKE	471570	470141 TIMKE	470954	470286 TIMKE	474274	470394SSR SPG	473227
470032SSR SPG	471570	470141SSR SPG	470954	47028S TROS	472144!	470398 TIMKE	470398
470034 TIMKE	474273	47014S TROS	203012	47029 BOSTN	473238!	47039S TROS	410737!
470039 TIMKE	450039	47015 BOSTN	473236!	47029 VIC	415088	47040 BOSTN	472394
470039SSR SPG	450039	47015 VIC	450621	47029 VIC	415088!	47040 VIC	203002
47004 BOSTN	473010!	47015S TROS	203013	47029S TROS	210914	470400SSR SPG	470400
47004 VIC	353132	47016 BOSTN	473237!	47030 BOSTN	473239!	470403 SPG	470774!
470041 TIMKE	450593	47016 VIC	471138!	47030 VIC	455500	470403 TIMKE	470774
470045 TIMKE	476838	470162 SPG	471765!	470304 NATL	473457!*	470409 NATL	50409
470047 SPG	473426	470162 TIMKE	471765	470304SSR NATL	473457!	470409 TIMKE	470409
470049 SPG	471750!	470163 TIMKE	471766	470308 SPG	410308!	47040S TROS	417487!
470049 TIMKE	471750	470165 SPG	471801!	470308 SPG	473468	47040S TROS	417487
47005 BOSTN	473010!	470165 TIMKE	470165	470308N NATL	410308!	47041 BOSTN	472394
47005 VIC	471267!	470169 SPG	473214!	470308N TIMKE	410308	47041 VIC	240009
470050 TIMKE	470050	470169 TIMKE	473214	470309 SPG	471391!	470410 SPG	471424!
470052 SPG	471354!	47016S TROS	203016	47030S TROS	210945	47042 BOSTN	471424!
470055 SPG	473215!	47017 BOSTN	473237!	47031 BOSTN	473239!	47043 BOSTN	471424!
470055N TIMKE	473215	47017 VIC	412920!	47031 VIC	455612=	470433 SPG	471138!
470059 NATL	470380!	47017S TROS	203025	470312 SPG	472016!	47043S TROS	415984!
470059 TIMKE	470059	47018 BOSTN	472164!	470316 SPG	472636!	47044 BOSTN	472492!
47005S TROS	481537	470189 TIMKE	471692	47031S TROS	411376!	47044 VIC	471526!
47006 BOSTN	473232!	470189H TIMKE	471692	47032 BOSTN	473240!	470441 SPG	471341!
470062 TIMKE	474264	470189RA SPG	471692!	47032 VIC	418029!	470444 SPG	471835!
470064 TIMKE	471821	47018S TROS	204002	470328 TIMKE	470328	47044S TROS	475348N
470066 TIMKE	473367	47019 BOSTN	472164!	47032S TROS	415449!	47045 BOSTN	472492!
470069 SPG	473232!	470190 TIMKE	410190	47033 BOSTN	473240!	470451 SPG	480630!
47006S TROS	340771	470195 TIMKE	470195	47033 VIC	370036A	470451 TIMKE	480630
47007 BOSTN	473232!	470199 TIMKE	470199	47033 VIC	370349A	470452 SPG	473197
47007 VIC	323138!	470199SSR SPG	470199	470330 SPG	470605!	47045S TROS	416404!
470070 NATL	472185!	47019S TROS	204013	470331N TIMKE	473452	47046 BOSTN	472924!
470074 TIMKE	474265	4701N TIMKE	4701N=	470334 NATL	470334!	470460 TIMKE	470460
470077 TIMKE	474281	4701RAR SPG	4701N=	470334 NATL	50289	470460SSR SPG	470460
47008 BOSTN	473233!	4702 C-R	12X19X5	470334 TIMKE	470334	47046S TROS	415498
47008 VIC	472354!	47020 BOSTN	472185!	470336 TIMKE	474255	47047 BOSTN	472924!
470085 SPG	470530!	47020 VIC	416271!	47033S TROS	417343!	47047S TROS	416500
470086 TIMKE	470086	470204 TIMKE	471231	47034 BOSTN	472319	47048 BOSTN	472397!
470087 WMG	473313!	470207 TIMKE	470207	47034 VIC	415295	47048 VIC	471224!
470088 TIMKE	470088	47020S TROS	204017	470340 TIMKE	450340	470487 TIMKE	470487
47009 BOSTN	473233!	47021 BOSTN	472185!	470342 TIMKE	450342	470487N NATL	470487=
470094 NATL	473451	47021 TROS	205004	470347 TIMKE	474254	470487N TIMKE	470487
470094 TIMKE	473462	47021 VIC	412861	47034S TROS	412473!	470487SSR SPG	470487!
4701 C-R	12X20X5	470211 TIMKE	471643	47035 BOSTN	472319	47049 BOSTN	472397!
4701 TIMKE	4701	470213R91 IH	472397!	470351 TIMKE	471504	47049 VIC	471649!
47010 BOSTN	473234!	470215 TIMKE	471646	470351SSR SPG	471504	47049S TROS	240007=
47010 VIC	5115	470219 TIMKE	471649	470354 TIMKE	470354	4704B JN-MN	470954!
470109N TIMKE	473441	47022 BOSTN	472179	470358 TIMKE	473231	47050 BOSTN	473242
47010S TROS	45637S	47022 VIC	455079!	470358N TIMKE	473231	47050 VIC	450593!
47011 BOSTN	473234!	47023 BOSTN	472179	470358SSR SPG	473231	470503 TIMKE	470503
47011 TROS	204008	47023 VIC	450412	47035S TROS	411376!	470506 NATL	470506

! Industrial Size/Type * Minor Width Difference = Call 1-800-480-1212 for price and delivery.

Zero Duplication or Recommended		Zero Duplication or Recommended		Zero Duplication or Recommended		Zero Duplication or Recommended		
Mfr. No.	Name	Mfr. No.	Name	Mfr. No.	Name	Mfr. No.	Name	
470506	TIMKE	470506	470625V TIMKE	470625	470791 SPG	471466!	470989SSR SPG	470989
47051	BOSTN	473242	47062S TROS	240319	47079S TROS	240816	47099 BOSTN	415458!
470515	TIMKE	470515	47063 BOSTN	473244!	47080 BOSTN	413246	4710 C-R	12X22X7!
47051S	TROS	240009	470632 SPG	1213N	47080 VIC	476470!	4710 C-R	221207
47052	BOSTN	473204	470632 SPG	40X54X6!	47080 VIC	476470!	47100 BOSTN	417343!
47052	VIC	471763	47063S TROS	240356	470806 TIMKE	470806	47101 BOSTN	417343!
47053	BOSTN	473204	47064 BOSTN	472018	470808 TIMKE	470808	47101S TIMKE	471015
470530	NATL	470530!	47064 VIC	472924!	47080S TROS	240949	47101S TROS	331301N
470530	TIMKE	470530	47064S TIMKE	470645	47081 BOSTN	413246	47102 BOSTN	416664!
47054	BOSTN	470898	47065 BOSTN	472018	47082 BOSTN	413247!	471024 TIMKE	471653
47054	VIC	471765!	47065 VIC	473467*	47082 VIC	416556!	47103 BOSTN	416664!
470541	TIMKE	471689	47065 VIC	473467!	47082 VIC	472157	47104 AMC	473440!
470543	NATL	40360S	470650 SPG	472705!	470825 SPG	410825	47104 BOSTN	415984!
470543	TIMKE	474272	47065S TROS	6703S	47083 BOSTN	413247!	47104 VIC	471192
470547	SPG	4122	47066 BOSTN	472020	47084 BOSTN	416271!	47105 BOSTN	415984!
470547	SPG	470547	47066S TROS	240414	47084 VIC	450040	47105 TROS	471652
470547	TIMKE	470547	47067 BOSTN	472020	47084S TROS	481443!	47106 BOSTN	417316!
470547CA	SPG	4122	47067 VIC	472409	47085 BOSTN	416271!	47107 BOSTN	417316!
470547CA	SPG	470547	470672 TIMKE	470672	47085S TROS	471076	47107 VIC	472636!
470547SSR	NATL	4122	470674BX SPG	224870	47086 BOSTN	471271!	471076 TIMKE	471076
470547SSR	NATL	470547	47068 BOSTN	473245!	47086 VIC	472287!	471076V TIMKE	471076
470548	TIMKE	470625	470680 TIMKE	471570	470867 SPG	470898	47108 BOSTN	415960
47054S	TROS	240023	470682 TIMKE	470682	47087 BOSTN	471271!	471084 WMG	472213
47055	BOSTN	470898	470684 SPG	471827!	47087 SPICE	473367	47109 BOSTN	415960
470553	TIMKE	471224	470687 TIMKE	470687	47087 VIC	473367*	47109 VIC	415995*
470553	WMG	471224!	47068S TROS	240435	47087 VIC	473367!	47109 VIC	415995!
470553VGR	SPG	470553V	47069 BOSTN	473245!	470877 SPG	471633!	4711 C-R	221207
470557	TIMKE	470557	47069 VIC	412920!	47087S TROS	470530!	47110 BOSTN	415303!
470557SSR	SPG	470557	4707 C-R	12X22X7!	47088 BOSTN	470605!	47110 VIC	476470
47055S	TROS	240119	4707 C-R	221207	47088 VIC	473010!	47110 VIC	476470!
47056	BOSTN	472015!	47070 BOSTN	471272!	470888N SPG	2043	471100 SPG	471652
47056	VIC	471766!	47070 VIC	412040	47089 BOSTN	470605!	471100 TIMKE	471652
470565	NATL	470565=	47070S TROS	240462	470895 SPG	471554!	471103 NATL	471103
470565	TIMKE	470565	47071 BOSTN	471272!	470895 TIMKE	471554	471103 TIMKE	471103
470567	NATL	471267*	47071 VIC	415449!	470898 NATL	470898	471103S WOOL	415991
470567	SPG	471267!	470712 TIMKE	470712	470898 TIMKE	470898	471103S WOOL	455146!
470567	TIMKE	471267	470712A TIMKE	470712	470898A TIMKE	470898	471105 NATL	471105=
470567N	TIMKE	471267	470712V NATL	470712=	4708B JN-MN	472951	471105 TIMKE	471105
470567SSR	SPG	471267	470712V TIMKE	470712	4708B JN-MN	474252	471105SSR SPG	471105!
47057	BOSTN	472015!	470719 SPG	471984	4709 C-R	12X22X7V!	471106 WHITE	416339
47057	VIC	472287!	47071S TROS	240470	4709 C-R	221208	471106 WHITE	455031!
470574	NATL	413246	47072 BOSTN	471138!	47090 BOSTN	415449!	47111 BOSTN	415303!
470574N	TIMKE	413246	47072 VIC	410708	47091 BOSTN	415449!	47112 BOSTN	417344!
47057S	TROS	240151	47072S TROS	6597S	47092 BOSTN	416273	47112 VIC	471526!
47058	BOSTN	472016!	47073 BOSTN	471138!	47092 VIC	416444	471122 SPG	471504
47058	VIC	473215!	47073 VIC	415458!	47093 BOSTN	416273	47113 BOSTN	417344!
470588	TIMKE	450588	470737 NATL	410737	47093 VIC	415449!	471137 TIMKE	471137
470588SSR	SPG	450588	470737 TIMKE	410737	47094 BOSTN	413248	471138 NATL	471138
47059	BOSTN	472016!	470737N TIMKE	410737	470946 TIMKE	470946	471138 TIMKE	471138
47059	VIC	473228!	470737SSR SPG	410737!	470946SSR SPG	470946	47114 BOSTN	417158!
470590	TIMKE	470590	47073S TROS	240698	47094S TROS	415995!	47114 VIC	471763
470592	TIMKE	474253	47074 BOSTN	472636!	47094S TROS	415995!	471141 NATL	471141
470593	TIMKE	450593	47074S TROS	240716	47095 BOSTN	413248	471141 TIMKE	471141
470596	TIMKE	470596	47075 BOSTN	472636!	47095 VIC	417344!	47115 BOSTN	417158!
470596V	TIMKE	470596	47075 VIC	417316!	470950 NATL	483793	47115 VIC	472179
470596VDR	SPG	470596	47075S TROS	240731	470950 TIMKE	470950	471150 SPG	473231!
47060	BOSTN	473243	47076 BOSTN	412920!	470954 NATL	470954!	47116 BOSTN	416921!
47060	VIC	473236!	47076 VIC	204017	470954 NATL	470954	47116 VIC	473460
470601	TIMKE	470601	47076 VIC	473117	470954 TIMKE	470954	471161 LETN	473460
470604	TIMKE	450604	470764 NATL	50764	470954A TIMKE	470954	471169 TIMKE	471169
470605	NATL	470605	470764 TIMKE	470764	470954V TIMKE	470954	471169N TIMKE	471169N
470605	TIMKE	470605	47076S TROS	240733	47096 BOSTN	415483	471169SSR SPG	471169
470606	NATL	470606	47077 BOSTN	412920!	47096 VIC	415995*	47117 BOSTN	416921!
470606	TIMKE	470606	47077 VIC	417351!	47096 VIC	415995!	47117S TROS	471466
47061	BOSTN	473243	470774 NATL	470774	47096S TROS	417211!	47118 BOSTN	417349!
47061	VIC	472185!	470774 TIMKE	470774	47097 BOSTN	415483	47118 VIC	417316!
47062	BOSTN	473244!	470774V TIMKE	470774	470974R91 IH	472397!	47119 BOSTN	417349!
470625	NATL	470625!	470774VGR SPG	470774	47097S TROS	415437	47119 VIC	415995!
470625	NATL	5115	47077S TROS	240735	47098 BOSTN	415458!	471192 TIMKE	471192
470625	TIMKE	470625	47078 BOSTN	470565!	47098 VIC	415379	471193 TIMKE	471193
470625A	TIMKE	470625	47078S TROS	240736	470987 TIMKE	410987	471193N TIMKE	471193
470625V	NATL	470625=	47079 BOSTN	470565!	470989 TIMKE	470989	471193SSR SPG	471193

! Industrial Size/Type * Minor Width Difference = Call 1-800-480-1212 for price and delivery.

Zero Duplication or Recommended			Zero Duplication or Recommended			Zero Duplication or Recommended			Zero Duplication or Recommended		
Mfr. No.	Name	Industrial	Mfr. No.	Name	Industrial	Mfr. No.	Name	Industrial	Mfr. No.	Name	Industrial
471195	NATL	471195	471308	SPG	470380!	471466	TIMKE	471466	471567	TIMKE	471567
471195	TIMKE	471195	47130S	TROS	330385	471466A	TIMKE	471466	47156S	TROS	340927
4711B	JN-MN	415072*	47131	BOSTN	417171!	471466V	NATL	471466 =	47157	BOSTN	415437
47120	BOSTN	417350!	471312L	C-R	55431 =	471466V	TIMKE	471466	471570	NATL	471570
47120S	TROS	471224!	471315	SPG	472705!	47146S	TROS	340797	471570	TIMKE	471570
47121	BOSTN	417350!	471316	TIMKE	471316	47147	BOSTN	417191	471570V	TIMKE	471570
47121	VIC	473214	47131S	TROS	471267!	471472	NATL	471472	471571	TIMKE	471571
47121S	TROS	340136	47132	BOSTN	471742!	471472	TIMKE	471472	471571V	TIMKE	471571
47122	BOSTN	415995!	47132	VIC	415449!	471472V	TIMKE	471472	471579	TIMKE	471579
47122	VIC	470954!	471324	SPG	471255!	47147S	TROS	340815	47157S	TROS	471267!
471224	NATL	350909*	47132S	TROS	340400	47148	BOSTN	417354!	47158	BOSTN	416332!
471224	NATL	471224*	47133	BOSTN	471712	471486	SPG	470380!	47158	VIC	470565!
471224	NATL	471224*	471337	TIMKE	471337	471486	SPG	472189A!	471581	SPG	481568!
471224	TIMKE	471224	47133S	TROS	340413	47149	BOSTN	417354!	47159	BOSTN	416332!
471224A	TIMKE	471224	47134	BOSTN	476470	47149	VIC	472185!	47159S	TROS	341022
471224V	NATL	471224 =	471341	NATL	471341	471498	TIMKE	471498	47160	BOSTN	415937!
471224V	TIMKE	471224	471341	TIMKE	471341	47149S	TROS	340817	47160	VIC	473234!
47122S	TROS	470954!	471341N	TIMKE	471341	4714B	JN-MN	471750!	47161	BOSTN	415937!
47123	BOSTN	415995!	471344	TIMKE	471344	4715	C-R	12X24X7	47161	VIC	412871!
471231	NATL	353131	471344	WMG	50476	47150	BOSTN	416624!	47162	TIMKE	471612
471231	NATL	471231	47135	BOSTN	476470	47150	VIC	410708	471619	NATL	471619
471231	TIMKE	471231	471354	NATL	471354	471502	DOLE	25598	471619	TIMKE	471619
47123S	TROS	472560N	471354	TIMKE	471354	471504	NATL	471504	47161S	TROS	345035
47124	BOSTN	417351!	47136	BOSTN	417181!	471504	TIMKE	471504	47162	BOSTN	417355!
47125	BOSTN	417351!	47136	VIC	415379!	47150S	TIMKE	47150S	47162	VIC	471801!
47125	VIC	210914	47136	VIC	415379	47150S	TROS	340823	47162S	TROS	345146
471255	NATL	471255	47136S	TROS	481537	47151	BOSTN	416624!	47163	BOSTN	417355!
471255	TIMKE	471255	47137	BOSTN	417181!	47151	VIC	415995	47163	VIC	473227!
471255A	TIMKE	471255	47137	VIC	412473!	47151	VIC	415995!	471633	NATL	350877
471255V	TIMKE	471255	471379	TIMKE	471379	471516	NATL	471516	471633	TIMKE	471633
47126	BOSTN	417621!	471379SSR	SPG	471379	471516	TIMKE	471516	47164	BOSTN	416125!
47126	VIC	452222!	47138	BOSTN	418028!	47151S	TROS	340853	47164	VIC	415350
471264	NATL	450535	47138	VIC	415899N	47152	BOSTN	415991!	471642	TIMKE	471642
471264	TIMKE	471264	47138	VIC	416624	47152	BOSTN	415991	471642SSR	SPG	471642
471264A	TIMKE	471264	47138S	TROS	254270	471526	TIMKE	471526	471643	TIMKE	471643
471267	NATL	471267*	47139	BOSTN	418028!	471526A	TIMKE	471526	471645	TIMKE	471645
471267	NATL	471267*	47139	VIC	415437	471529	TIMKE	471529	471645V	TIMKE	471645
471267	TIMKE	471267	471391	NATL	471391	47152S	TROS	340872	471646	NATL	471646
471267A	TIMKE	471267	471391	TIMKE	471391	47153	BOSTN	415991!	471646	TIMKE	471646
471267V	NATL	471267 =	47139X	SPG	415035	47153	BOSTN	415991	471647	TIMKE	471647
471267V	NATL	471267 =	47140	BOSTN	417353!	471530	TIMKE	471530	471648	TIMKE	471648
471267V	TIMKE	471267	471405	TIMKE	471405	471532	TIMKE	471532	471649	NATL	471649
471268	TIMKE	472258	471405SSR	SPG	471405	471535	NATL	450536	471649	TIMKE	471649
471268	WHITE	6635S	471407	TIMKE	471407	471535	TIMKE	471535	471649A	TIMKE	471649
471268N	TIMKE	472258	47141	BOSTN	417353!	471538	NATL	471538	471649V	NATL	471649 =
471269	WHITE	JV1210 =	47141	VIC	417211!	471538	TIMKE	471538	471649V	TIMKE	471649
47126S	TROS	471643!	471413	NATL	471413	471538VGR	SPG	471538V	47165	BOSTN	416125!
47127	BOSTN	417621!	471413	NATL	7412S	471539	NATL	471539	47165	VIC	471748!
471270	NATL	471270	471413	TIMKE	471413	471539	TIMKE	471539	471650	WMG	481650
471270	TIMKE	471270	471413A	TIMKE	471413	47154	BOSTN	417196!	471651	TIMKE	471651
471271	NATL	471271	471413V	TIMKE	471413	471540V	TIMKE	470601	471652	NATL	482208
471271	TIMKE	471271	471419	TIMKE	473367	471549	NATL	471549	471652	TIMKE	471652
471271A	TIMKE	471271	47141S	TROS	340724!	471549	NATL	472467	471652A	TIMKE	471652
471271V	TIMKE	471271	47142	BOSTN	416294!	471549	TIMKE	471549	471652V	NATL	471652
471272	NATL	471272	47142	VIC	471829	47154S	TROS	340900	471652V	NATL	471652
471272	TIMKE	471272	471424	TIMKE	471424	47155	BOSTN	417196!	471652V	TIMKE	471652
471272N	TIMKE	471272	471424A	TIMKE	471424	471551	NATL	471551	471653	NATL	471653
471272V	SPG	471272	471424V	NATL	471424 =	471551	TIMKE	471551	471653	TIMKE	471653
471276	TIMKE	471276	471424V	TIMKE	471424	471553	NATL	471553	471653SSR	SPG	471653!
471276V	TIMKE	471276	47143	BOSTN	416294!	471553	TIMKE	471553	471656	SPG	471643!
471276VDR	SPG	471276	47143	VIC	6312	471554	NATL	471554 =	47166	BOSTN	416041
47128	BOSTN	416288!	47144	BOSTN	412473!	471554	TIMKE	471554	471660	SPG	471647
47128	VIC	210945	471442	NATL	471442	471554A	TIMKE	471554	47166S	TROS	471413!
471281	NATL	471281 =	471442	TIMKE	471442	471554V	NATL	471554 =	47167	BOSTN	416041
471288	NATL	473237!	471442A	TIMKE	471442	471554V	TIMKE	471554	47167	VIC	415449!
47128S	TROS	340356	471442V	TIMKE	471442	471555	TIMKE	471549	47168	BOSTN	415379
47129	BOSTN	416288!	471443	TIMKE	481443	471558	TIMKE	471558	471684	NATL	471684
47129	VIC	470530!	47145	BOSTN	412473!	471559	SPG	471553!	471684	SPG	471684!
471291V	TIMKE	471291V	47145S	TROS	340787	47156	BOSTN	415437	471684	TIMKE	471684
471291VGR	SPG	471291V	47146	BOSTN	417191	47156	VIC	9613S	471686	TIMKE	471686
47129S	TROS	350364	47146S	TIMKE	47146S	471564	TIMKE	471564	471688	TIMKE	471688
47130	BOSTN	417171!	471466	NATL	471466!	471567	NATL	471567	471689	NATL	471689

! Industrial Size/Type * Minor Width Difference = Call 1-800-480-1212 for price and delivery.

Zero Duplication or Recommended			Zero Duplication or Recommended			Zero Duplication or Recommended			Zero Duplication or Recommended		
Mfr. No.	Name	Industrial	Mfr. No.	Name	Industrial	Mfr. No.	Name	Industrial	Mfr. No.	Name	Industrial
471689	TIMKE	471689	471787	NATL	471787	471887	TIMKE	471887	47206	VIC	473215!
471689A	TIMKE	471689	471787	TIMKE	471787	47189	BOSTN	416130!	47207	BOSTN	417247!
471689V	TIMKE	471689	471787A	TIMKE	471787	47189	VIC	473423	472070	TIMKE	472070
47168S	TROS	481443!	47178S	TROS	473424!	47190	BOSTN	416556!	47208	BOSTN	415725!
47169	BOSTN	415379	47179	BOSTN	415697!	47190	BOSTN	472157	47208	VIC	476470
471692	NATL	471692	47179	VIC	481537	47190	VIC	472179	472082	TIMKE	472082
471692	TIMKE	471692	47179S	TIMKE	47179S	471904	TIMKE	471904	472082S	WMG	472082
471692A	TIMKE	471692	471795N	TIMKE	471795	471904SSR	SPG	471904	47209	BOSTN	415725!
471698	TIMKE	471684	47179S	TROS	350909	47190S	TROS	327303!	47209	VIC	412473!
47169S	TROS	471646!	47179S	TROS	471224!	47191	BOSTN	416556!	4721	C-R	12X25X7
47170	BOSTN	417205!	4718	C-R	12X25X4.5	47191	BOSTN	472157	47210	C-R	120X140X13!*
47170	VIC	472179	4718	C-R	12X25X7*	47191	VIC	471984*	47210	C-R	710084
471702	SPG	471688	47180	BOSTN	417366!	47191S	TIMKE	47191S	47210	C-R	717004
471703	SPG	471689!	47180	VIC	471554!	47191S	TROS	365008	47210	VIC	200640
471705	NATL	471705	471801	NATL	450165	47192	BOSTN	415196!	47211	VIC	471504!
471705	TIMKE	471705	471801	TIMKE	471801	47192	TROS	455197N	47212	C-R	712003
471706	SPG	471692!	471808	NATL	471808=	47192	VIC	472185!	47212	VIC	472164!
471707	TIMKE	471707	471808	TIMKE	471808	471923N	TIMKE	473444	47213	C-R	712003
471707N	TIMKE	471707N	47180S	TROS	350942	47193	BOSTN	415196!	472138	TIMKE	472138
471707SSR	SPG	471707	47181	BOSTN	417366!	47193	VIC	203034	472138SSR	SPG	472138
471709	SPG	471413!	47181	VIC	470645	471936	SPG	473238!	472144	NATL	472144
471709	TIMKE	471413	471817	TIMKE	451817	47194	BOSTN	416891!	472144	TIMKE	472144
47170S	TROS	471689!	471817SSR	SPG	451817	47194	VIC	472319	47215	VIC	473235!
47171	BOSTN	417205!	471818	TIMKE	471818	471940	SPG	472144!	472150	TIMKE	472150
47171	VIC	413469!	47181S	TROS	350974!	47195	BOSTN	416891!	472156	ADAMS	415988
471718	SPG	471705!	47182	BOSTN	415035!	47195	VIC	471391!	472156	LETN	415988
47171S	TROS	481163!	47182	VIC	471270!	471950	TIMKE	471950	472157	NATL	416556
47172	BOSTN	416339	471820	TIMKE	471820	471950SSR	SPG	471950	472157	NATL	472157
471729	TIMKE	471729	471821	NATL	471821	471952	TIMKE	471952	472157	NATL	476556=
47172S	TROS	471538!	471821	TIMKE	471821	471952SSR	SPG	471952	472157	NATL	486556=
47173	BOSTN	416339	471827	NATL	471827	471958	TIMKE	471958	472157	TIMKE	472157
47173	VIC	6098=	471827	TIMKE	471827	47195S	TROS	203006!	472164	NATL	472164=
471730	TIMKE	471730	471829	TIMKE	471829	47196	BOSTN	416135!	472164	NATL	472164=
471733	TIMKE	471733	471829V	TIMKE	471829	47196	VIC	471424!	472164	TIMKE	472164
471735	TIMKE	471735	471829VDR	SPG	471829	47197	BOSTN	416135!	472164A	TIMKE	472164
471736	TIMKE	471736	47183	BOSTN	415035!	47197	VIC	471870!	472164V	NATL	472164
471737	TIMKE	471737	47183	SPICE	471689!	47197S	TROS	480950N=	472164V	TIMKE	472164
47173S	TROS	350364	47183	VIC	471689!	47198	BOSTN	416888!	47217	VIC	473367
47174	BOSTN	417211!	471831	TIMKE	471831	47198	VIC	450133	47217	VIC	473367!
471744	TIMKE	471744	471833	TIMKE	471833	471981	TIMKE	471981	472179	NATL	472179=
471747	NATL	471747	471835	NATL	471835	471984	TIMKE	471984	472179	TIMKE	472179
471747	TIMKE	471747	471835	TIMKE	471835	47199	BOSTN	416888!	472179A	TIMKE	472179
47174S	TROS	474272	471835VGR	SPG	471835V	47199	VIC	473475	472185	NATL	290070=
47175	BOSTN	417211!	471839	SPG	473010!	47199S	TROS	451143	472185	NATL	472185
471750	TIMKE	471750	47184	BOSTN	417356!	4720	C-R	12X25X7	472185	TIMKE	472185
471750A	TIMKE	471750	47184	VIC	471652	47200	BOSTN	416153!	472189	SPG	470380!
471750V	TIMKE	471750	471841	TIMKE	471841	47200	VIC	413247!	472189	SPG	472189A!
47175S	TROS	471267!	471845N	TIMKE	451845	472005	SPG	473240!	472189A	NATL	9613S
47176	BOSTN	416345!	471847N	TIMKE	473258	472008	SPG	470530!	472189A	TIMKE	472189A
471760	TIMKE	471760	47185	BOSTN	417356!	472009	SPG	472397!	47219	VIC	415857!
471760A	TIMKE	471760	47185	VIC	474255	47200S	TROS	240027=	472193	NATL	472193
471760V	TIMKE	471760	471853	SPG	350936	47201	BOSTN	416153!	472193	TIMKE	472193
471762	NATL	471762	471854	NATL	350936	47201	VIC	471887	47220	TROS	9568
471762	TIMKE	471762	471854	TIMKE	471854	472012	TIMKE	472012	47220	VIC	473474
471763	TIMKE	471763	47185S	TROS	415082	472015	NATL	472015	47221	VIC	417484!
471763A	TIMKE	471763	47186	BOSTN	417357	472015	TIMKE	472015	472213	TIMKE	472213
471763V	TIMKE	471763	471862	TIMKE	471862	472015V	TIMKE	472015	472221R91	IH	200887
471764	NATL	471764	471866	NATL	471281	472016	NATL	472016	472222	TIMKE	452222
471764	TIMKE	471764	471866	TIMKE	471866	472016	TIMKE	472016	472222R1	IH	JV1157
471765	NATL	471765	471868	TIMKE	471868	472018	TIMKE	472018	472234	TIMKE	472234
471765	TIMKE	471765	471869	NATL	3173	47202	BOSTN	416892!	472236H	SPG	472409
471766	NATL	471766	471869	NATL	710928	47202	VIC	415082	472238	TIMKE	472238
471766	TIMKE	471766	471869	TIMKE	473459	472020	TIMKE	472020	472238SSR	SPG	472238
471766A	TIMKE	471766	47186S	TROS	417350!	472029	TIMKE	472029	472239	TIMKE	472239
471766V	TIMKE	471766	47187	BOSTN	417357	47203	BOSTN	416892!	472239SSR	SPG	472239
47176S	TROS	473454	47187	VIC	471413!	47204	BOSTN	415138!	47224	VIC	416271!
47177	BOSTN	416345!	47187	VIC	7412S	47204	VIC	100495	47225	C-R	120X145X12!
471770	SPG	471760	471870	NATL	471870	47204	VIC	417349	472258	NATL	472258
471772	TIMKE	471762	471870	TIMKE	471870	472041	TIMKE	473454	472258	TIMKE	472258
47178	BOSTN	415697!	47188	BOSTN	416130!	47205	BOSTN	415138!	472258A	TIMKE	472258
47178S	NATL	47178S	47188	VIC	471818	47205	VIC	416404!	472258V	NATL	472258=
47178S	TIMKE	47178S	471883	TIMKE	471870	47206	BOSTN	417247!	472258V	TIMKE	472258

! Industrial Size/Type * Minor Width Difference = Call 1-800-480-1212 for price and delivery.

NUMERICAL

Zero Duplication or Recommended Industrial		Zero Duplication or Recommended Industrial		Zero Duplication or Recommended Industrial		Zero Duplication or Recommended Industrial	
Mfr. No.	Name	Mfr. No.	Name	Mfr. No.	Name	Mfr. No.	Name
472287	NATL	472287 =	472536SSR SPG	472536	472843 ADAMS	472179	473211 TIMKE
472287	TIMKE	472287	472538 TIMKE	472538	472843 TIMKE	472843	473212 TIMKE
47229	VIC	455583N!	472538SSR SPG	472538	47285 VIC	471413!	473212A TIMKE
472299	TIMKE	472299	472539 TIMKE	472539	472856 TIMKE	412119	473213 TIMKE
472299V	TIMKE	472299	472539SSR SPG	472539	472858VGR SPG	5133	473214 NATL
47230	C-R	120X145X12!	47254 C-R	120X150X12V	47287 C-R	120X160X12!	473214 TIMKE
47230	C-R	231204	47255 VIC	473016!	47287 VIC	471538!	473214A TIMKE
47230	VIC	470530!	472554 TIMKE	474276	472878 TIMKE	472878	473215 NATL
47231	VIC	415449!	47256 VIC	240319	47288 VIC	7013S	473215 NATL
472311	NATL	472311	472560N NATL	472560N	47289 C-R	120X160X12V	473215 TIMKE
472311	TIMKE	472311	472560N TIMKE	472560N	47289 VIC	451078!	47322 VIC
472311V	TIMKE	472311	47257 VIC	470625!	47289 JN-MN	471570!*	47322A TIMKE
472319	TIMKE	472319	472572 NATL	472572	47290 C-R	120X160X12	473225 NATL
47232	VIC	44052	472572 TIMKE	472572	47290 VIC	472311!	473225 TIMKE
472324	TIMKE	472324	47258 VIC	473228!	47291 C-R	120X160X12	473226 TIMKE
472324A	TIMKE	472324	47259 VIC	340927	47291 VIC	480821!	473227 NATL
472324E	NATL	472324!	47260 C-R	120X150X12!*	472920 SPG	412920!	473227 TIMKE
472324V	TIMKE	472324	47260 VIC	6283S	472924 NATL	472924 =	473227V TIMKE
47233	VIC	473241	47261 VIC	40154S	472924 TIMKE	472924	473228 NATL
472341	TIMKE	472341	47262 TROS	6465	47293 VIC	472492!	473228 TIMKE
472350	NATL	472350 =	47263 VIC	472924	47294 VIC	471413!	473229 NATL
472350	TIMKE	472350	472635 TIMKE	472635	472950 TIMKE	472950	473229 TIMKE
472350SSR	SPG	472350!	472636 NATL	472636	472950SSR SPG	472950	473230 NATL
472354	NATL	472354	472636 TIMKE	472636	472951 TIMKE	472951	473230 NATL
472354	TIMKE	472354	472642 TIMKE	472642	472953 TIMKE	472953	473230 TIMKE
47236	VIC	6954S	472642V TIMKE	472642V	472953SSR SPG	472953	473231 NATL
47237	VIC	6952S =	472642VDR SPG	472642V	472953VDR SPG	472953	473231 NATL
472377	SPG	471766!	472644 TIMKE	472644	472954 TIMKE	472954	473231 TIMKE
47238	VIC	417082	472644V TIMKE	472644	472954V TIMKE	472954	473231A TIMKE
47239	VIC	471692!	472644VDR SPG	472644	472954VDR SPG	472954	473232 NATL
472394	TIMKE	472394	472649 TIMKE	472649	47297 VIC	480210!	473232 TIMKE
472397	NATL	472397 =	472649SSR SPG	472649	47298 VIC	7399S!	473232 TIMKE
472397	TIMKE	472397	47265 BOSTN	471829	47299 VIC	415302	473234 NATL
47240	C-R	231206	47265 VIC	40316S	472HH101 DANA	415995	473234 TIMKE
47240	TROS	6966S	472651V TIMKE	472651V	4730 C-R	12X26X7	473235 NATL
47240	VIC	480630!	472651VDR SPG	472651V	473010 NATL	473010	473235 TIMKE
472409	NATL	472409 =	472653 NATL	472653 =	473010 TIMKE	473010	473236 NATL
472409	TIMKE	472409	472653 TIMKE	472653	473010A TIMKE	473010	473236 TIMKE
472419	TIMKE	472419	472653V TIMKE	472653	473010N TIMKE	473010	473237 NATL
472419SSR	SPG	472419	472653VGR SPG	472653	473016 TIMKE	473016	473237 TIMKE
47243	VIC	470954!	472655 TIMKE	472655	47304 VIC	471267!	473237V TIMKE
472432	TIMKE	4724256	472655SSR SPG	472655	473049VDS SPG	473049V =	473238 NATL
472439	TIMKE	472439	472658 TIMKE	473197	47305 VIC	470954	473238 NATL
472439A	TIMKE	472439	47266 VIC	50501	473096 NATL	350156	473238 TIMKE
472439V	TIMKE	472439	472660 TIMKE	472660	473096 TIMKE	473096	473238VDR SPG
472439VD	SPG	472439	472660SSR SPG	472660	473099 NATL	253099!	473239 NATL
47244	VIC	205004	47267 VIC	455556	47311 VIC	471526!	473239 TIMKE
472446	TIMKE	472446	472674 TIMKE	471747	473117 TIMKE	473117	47324 VIC
472446SSR	SPG	472446	472681 TIMKE	473259	473117SSR SPG	473117	473240 NATL
47245	C-R	370220A	47269 VIC	45013S	47312 VIC	7013S	473240 TIMKE
472452	TIMKE	472452	47270 VIC	415442!	473129 ADAMS	410190	473241 TIMKE
472466	TIMKE	472466	47270 VIC	55442	473135SLR SPG	474278!	473242 TIMKE
472466SSR	SPG	472466!	472705 TIMKE	472705	473135V TIMKE	474278	473243 NATL
472467	TIMKE	472467	47273 C-R	120X155X15	473157 TIMKE	473157	473243 NATL
472475	TIMKE	472475	472747 TIMKE	472747	47316 VIC	6590S	473243 TIMKE
47248	VIC	471539!	47275 VIC	5499 =	47317 VIC	204079 =	473244 NATL
47249	VIC	240470	472758V TIMKE	472758V	47317 VIC	471854!	473244 TIMKE
472492	NATL	472492	47276 VIC	470774!	473179 NATL	473179	473245 NATL
472492	TIMKE	472492	47278 VIC	1049	473179 TIMKE	473179	473245 TIMKE
472492A	TIMKE	472492	47279 VIC	204013	47318 VIC	455566	473246 SPG
4724B	JN-MN	415995!	47280 VIC	451078!	47319 VIC	203008	473247 SPG
47250	C-R	120X150X12!	47280C1 VIC	451078!	47319 VIC	473317	473248 SPG
47250	C-R	370220A	47281 VIC	471413!	47319 NATL	473197	473258 NATL
472501	GMC	5699	472810 NATL	252810	473197 TIMKE	473197	473258 TIMKE
47251	VIC	471076	472810 NATL	472810	473197VGR SPG	473197	473259 NATL
47252	C-R	120X150X12!	472810 TIMKE	472810	473203 TIMKE	473203	473259 TIMKE
47252	VIC	471747!	47282 VIC	8059S	473204 TIMKE	473204	47326 VIC
47253	C-R	120X150X12V	472826 NATL	450129	473205 NATL	473205	47327 VIC
47253	VIC	471192	472826 TIMKE	472826	473205 TIMKE	473205	473274 TIMKE
472535	TIMKE	472535	47283 VIC	471413!	47321 VIC	471193	473274N TIMKE
472535SSR	SPG	472535	47284 VIC	7013S	473210 TIMKE	473210	47329 VIC
472536	TIMKE	472536	472841 ADAMS	470712!	473211 NATL	473211 =	473296 SPG

! Industrial Size/Type * Minor Width Difference = Call 1-800-480-1212 for price and delivery.

Zero Duplication or Recommended		Zero Duplication or Recommended		Zero Duplication or Recommended		Zero Duplication or Recommended	
Mfr. No.	Name	Industrial	Mfr. No.	Name	Industrial	Mfr. No.	Name
4733	C-R	12X26X7	473449	TIMKE	473449	47366S	TROS
47330	VIC	470506!	47345	VIC	353135	47367	VIC
47331	VIC	416500	47345	VIC	474278!	473677	TIMKE
473313	NATL	473313	473450	NATL	473450	473677SAR	SPG
473313	TIMKE	473313	473450	TIMKE	473450	47367S	TROS
473316	C-R	415437*	473450V	TIMKE	473450	47368S	TROS
473316M1	C-R	415437	473451	NATL	473451	47369A	TIMKE
473316M1	C-R	415437!	473451	TIMKE	473451	47369S	TROS
473317	TIMKE	473317	473452	TIMKE	473452	47370	VIC
473328	C-R	417210!*	473453	TIMKE	473453	47371	VIC
473328M1	C-R	417210!*	473454	NATL	473454	47372S	TROS
47333	VIC	55337	473454	TIMKE	473454	47372S	TROS
473336	TIMKE	473336	473455	TIMKE	473455	47373	VIC
47335	VIC	473448	473457	NATL	473457 =	47374	VIC
47336	VIC	204035	473457	TIMKE	473457	47375	C-R
473367	NATL	473367 =	473458	NATL	473458!	47375	VIC
473367	TIMKE	473367	473458	TIMKE	473458	47375S	TROS
473367V	TIMKE	473367V	473459	NATL	473459!	47376	VIC
47337	VIC	340900	473459	TIMKE	473459	47377	VIC
47338	VIC	471271	47346	VIC	331228H	47378S	TROS
473380	TIMKE	473380	473460	NATL	473460	47379	C-R
47338L	C-R	415577	473460	TIMKE	473460	473796	TIMKE
47339	VIC	473449	473461	NATL	473461	47380	C-R
47340	VIC	442380	473461	TIMKE	473461	47380	VIC
473405	TIMKE	473405	473462	NATL	473462!	47380	VIC
473406	NATL	450033	473462	NATL	473462!	47381	C-R
473406	TIMKE	473406	473462	TIMKE	473462	47381	VIC
473407	TIMKE	473407	473463	TIMKE	473463	473812	TIMKE
47341	VIC	8976S	473464	NATL	473464	473814	TIMKE
473412	TIMKE	473412	473464	TIMKE	473464	47381S	TROS
473413	TIMKE	473413	473466	TIMKE	473466	47382	C-R
473414	TIMKE	473414	473467	NATL	473467 =	47382	VIC
473415	TIMKE	473415	473467	TIMKE	473467	473823	TIMKE
473416	TIMKE	473416	473468	TIMKE	473468	47383	C-R
473419	NATL	473419	47347	VIC	9376	47383	TROS
473419	TIMKE	473419	473471	TIMKE	473471	47383	VIC
47342	VIC	417480!	473473	TIMKE	473473	47384	C-R
473420	TIMKE	473420	473474	TIMKE	473474	47384	C-R
473421	TIMKE	473421	473475	TIMKE	473475	47384	VIC
473422	TIMKE	473422	473476	TIMKE	473476	47385	VIC
473423	TIMKE	473423	47348	HYST	416888!	47385S	TROS
473424	GMC	5092	47348	VIC	474260	47386S	TROS
473424	NATL	353137	47349	VIC	6832S	47387	VIC
473424	TIMKE	473424	473490	TIMKE	473490	47388	C-R
473425	TIMKE	473425	473490SSR	SPG	473490	47388	VIC
473426	TIMKE	473426	47350	C-R	55367 =	47388S	TROS
473427	TIMKE	473427	47350	VIC	203016	47389	VIC
473428	TIMKE	473428	47351	VIC	203013	4739	TIMKE
473428VDR	NATL	473428V =	473517	NATL	473517	47390	VIC
473435	TIMKE	473435	473517	TIMKE	473517	47392	VIC
473436	TIMKE	473436	47352	VIC	204008	47394	C-R
473437	TIMKE	473437	47353	VIC	450400	47394	VIC
473438	TIMKE	473438	47354	VIC	416071	47395	C-R
473439	NATL	473439 =	473546	TIMKE	473546	47395	VIC
473439	TIMKE	473439	47355	VIC	450593!	47396	C-R
47344	VIC	473228!	473551	TIMKE	473551	47396	VIC
473440	NATL	473228	473551SSR	SPG	473551	47397	C-R
473440	NATL	473440	47356	VIC	330699!	47398	C-R
473440	TIMKE	473440	47356	VIC	340771	47398	VIC
473441	TIMKE	473441	473560N	TIMKE	473560N	47399	C-R
473442	NATL	5778	473573	TIMKE	473573	47399	VIC
473442	TIMKE	473442	473573SSR	SPG	473573	473HMS320-Q6	C-R
473443	TIMKE	474274	47360	TROS	1062 =	4740	C-R
473444	NATL	473444	47361	VIC	7692S	4740	TIMKE
473444	TIMKE	473444	47362	VIC	7300S	47400	VIC
473444V	TIMKE	473444	47362S	TROS	203006!	474018R91	IH
473444VD	SPG	473444	47363	VIC	7715S	47403	VIC
473445	TIMKE	473445	47364	VIC	484054	47404	VIC
473446	TIMKE	473446	47364S	TROS	204035	47405	VIC
473447	TIMKE	473447	47365	VIC	473228	474051	WHITE
473448	TIMKE	473448	47365S	TROS	415725!	47405HA	IH
473449	NATL	473449	47366	VIC	8121S	47406	VIC
47407	VIC	5666	474094R91	IH	471750	474096SCR	SPG
474096SCR	SPG	225110	474096SCR	SPG	51X65X7!	474097SCR	SPG
474097SCR	SPG	223605	474097SCR	SPG	36X50X7!	474099	WHITE
474099	WHITE	370191A	474099	WHITE	415085!	474099	WHITE
474099	WHITE	456648	4740BH1	SPG	4740	4741	TIMKE
474107	WHITE	5408	47410	VIC	416271!	474107	WHITE
4741118	CHRYS	4528N	4741118	CHRYS	2465	474119SSR	SPG
4741119	CHRYS	2465	474119SSR	SPG	223840	474119SSR	SPG
474125R	SPG	223555	474125R	SPG	35X64X8!	474125RRR	SPG
474125R	SPG	223555	474125RRR	SPG	35X64X8!	474127	TIMKE
474127	TIMKE	474127	474127SSR	SPG	474127	4741296	CHRYS
4741296	CHRYS	4529N	47413	VIC	9569S	474131	TIMKE
47413	VIC	9569S	474131	SSR	SPG	474131	SSR
474131	TIMKE	474131	474133	TIMKE	474133	474134	TIMKE
474131SSR	SPG	474131	474134	TIMKE	224255	474135RRR	SPG
474133	TIMKE	474133	474135RRR	SPG	42X65X10!	474137SSR	SPG
474134	TIMKE	474134	47415	VIC	8835S	47415	VIC
474135RRR	SPG	224255	47415	VIC	8835S	47415F	VIC
474137SSR	SPG	224320	47416	VIC	2361	47416	VIC
47415	VIC	8835S	47416	VIC	472466!*	474161	TIMKE
47415F	VIC	8835S	474161	TIMKE	474161	474161SSR	SPG
47416	VIC	2361	47417	VIC	8429S	47417	VIC
47416	VIC	472466!*	474176	BENDI	472560N	474176	BENDI
474161	TIMKE	474161	47418	VIC	8940S	47418	VIC
474161SSR	SPG	474161	47418	VIC	6815	47419	VIC
47417	VIC	8429S	47419	VIC	6815	4741908	CHRYS
474176	BENDI	472560N	4741920	CHRYS	4741	47420	VIC
47418	VIC	8940S	47420	VIC	8975S	47421	VIC
47419	VIC	6815	47421	VIC	8976S	474216	TIMKE
4741908	CHRYS	713103	474216	TIMKE	474216	47423	VIC
47420	VIC	8975S	47423	VIC	9150S	474230	TIMKE
47421	VIC	8976S	474230	SS	SPG	474230SS	SPG
474216	TIMKE	474216	474241V	TIMKE	474241V	47425	VIC
47423	VIC	9150S	47425	VIC	204017!	47425	VIC
474230	TIMKE	474230	47425	VIC	205017	474250	TIMKE
474241V	TIMKE	474241V	474252	NATL	472951	474252	TIMKE
47425	VIC	204017!	474252	TIMKE	474252	474253	NATL
474250	TIMKE	474250	474253	NATL	474253 =	474253	NATL
474252	NATL	472951	474253	NATL	474253 =	474253	TIMKE
474252	TIMKE	474252	474254	NATL	474254	474254	NATL
474253	NATL	474253 =	474254	TIMKE	474254	474255	NATL
474253	TIMKE	474253	474255	NATL	474255	474255	TIMKE
474254	NATL	474254	474256	NATL	474256	474256	NATL
474254	TIMKE	474254	474256	TIMKE	474256	47426	C-R
474255	NATL	474255	47426	C-R	415138!	474260	NATL
474256	NATL	474256	474260	NATL	474260	474260	TIMKE
474256	TIMKE	474256	474261	TIMKE	474261	474261	TIMKE
47426	C-R	415138!	474264	NATL	474264	474264	NATL
474260	NATL	474260	474264	TIMKE	474264	474264	TIMKE
474260	TIMKE	474260	474265	NATL	474265	474265	NATL

! Industrial Size/Type * Minor Width Difference = Call 1-800-480-1212 for price and delivery.

NUMERICAL

Zero Duplication or Recommended		Zero Duplication or Recommended		Zero Duplication or Recommended		Zero Duplication or Recommended		
Mfr. No.	Name	Mfr. No.	Name	Mfr. No.	Name	Mfr. No.	Name	
474265	TIMKE	474265	47462 VIC	473179	474B316 C-R	415437	475316 CABOT	415437!
474269	TIMKE	474269	4746258 CHRYS	4333N	474C316 C-R	415437	475316 CABOT	415437
47427	VIC	200371	47463 VIC	9913	474E324 C-R	415379	475316M1 C-R	415437
474272	NATL	474272	47464 VIC	470380!	474FM324 C-R	415379*	475316M1 C-R	415437!
474272	TIMKE	474272	47466 VIC	9912	474M328-L C-R	417210!	475318 C-R	417497
474273	NATL	474273	47467 VIC	473235	474W314-Y13 C-R	455858	475318M1 C-R	417497
474273	TIMKE	474273	4746772 AMC	5778	474X6-L C-R	200642	475319RAR SPG	417495
474274	NATL	474274	4746772 AMC	5778V	4750 C-R	12X28X7	47532 VIC	3732S
474274	TIMKE	474274	4746772 CHRYS	5778	47500 C-R	417247!	475320 C-R	415937!*
474276	NATL	474276!	4746772 CHRYS	5778V	47500 VIC	.2674!	475320M1 C-R	415937!
474276	TIMKE	474276	474679 GMC	3667	47500 VIC	370054A	475322 C-R	417501
474277	NATL	474277	47469 VIC	9762S	475001 TIMKE	415001	475322M1 C-R	417501
474277	TIMKE	474277	4746B JN-MN	417551	475003 NATL	415458!	475322N TIMKE	417484
474278	NATL	322353	47470 VIC	5109	475003N TIMKE	415458	475324 C-R	415379!
474278	NATL	323126	47471 C-R	417247!	475004 SPG	417316!	475324 C-R	415379
474278	NATL	353135	47471 VIC	5123	475004H TIMKE	417316	475324 GMC	415379!
474278	NATL	474278	47472 VIC	292594	475009N TIMKE	415960	475324 GMC	415379
474278	NATL	50356 =	47473 VIC	5109	475009RRR SPG	415960	475324M1 C-R	415379!
474278	NATL	6859S	47474 C-R	417247!	47501 VIC	9339S	475324M1 C-R	415379
474278	TIMKE	474278	47475 C-R	417247!	475012A TIMKE	475012A	475326 C-R	455178 =
474279N	TIMKE	474279N	474757 ADAMS	415984!	475012N TIMKE	416654	475328 C-R	417210!
47428	VIC	200763	474757 LETN	415984!	475012VAR SPG	475012A	475328M1 C-R	417210!
474281	NATL	474281	47476 C-R	417247!	475016 WHITE	416476!	47534 VIC	3667
474281	TIMKE	474281	47476 VIC	4250	47502 VIC	416273!	47534 VIC	473546!
474288	SPG	36X58X8!	47477 C-R	417247!	47503 VIC	9316	475368N TIMKE	415483
474288	TIMKE	474288	47477 VIC	8871	475035 SPG	415035	47537 ALLCH	473205
47430	VIC	42101S	474770 ADAMS	456105	47504 VIC	486857	47537 VIC	416404
47431	VIC	412119!	474770 LETN	456105	47505 VIC	9943	475379 SPG	415379
474316	C-R	415437	474772 ADAMS	473460	47506 VIC	200763	47538 C-R	416865!
474316	C-R	415437!	474772 LETN	473460	47507 SPICE	9864S	47538 VIC	8429S
474316M1	C-R	415437	474773 BENDI	240319	47507 VIC	200870	475380N TIMKE	410825
474316M1	C-R	415437!	474774 ADAMS	471647	475072 SPG	415072	475384 TIMKE	475384
47432	VIC	472016	474774 LETN	471647	475079 SPG	455079!	47539 VIC	40389S
474320M1	C-R	415937!*	47477BV VIC	8871	47508 VIC	205009 =	47539 VIC	472492!
474324	C-R	415379!	47478 VIC	2689S	475080N TIMKE	455080	4753B JN-MN	415047
474324	C-R	415379	474784 ADAMS	471689!	47509 VIC	200855	47540 VIC	415389
474324M1	C-R	415379!	474784 LETN	471689!	475095N TIMKE	416271	475423C91 IH	711552
474324M1	C-R	415379	474784 WABCO	471689!	4751 C-R	12X28X7	47543 VIC	417621
474328	C-R	417210!*	47479 C-R	417247!	47510 C-R	415213N	47543 VIC	5509
474328M1	C-R	417210!*	47479 HYST	417357	47511 VIC	200895 =	475437 SPG	415437
47433	VIC	472492!	47479 VIC	712146	47512 VIC	416956	47544 VIC	482163!
47435	VIC	9161	474795 BENDI	240356	47513 VIC	471750!	475449 SPG	415449!
47436	ALLCH	476470	474798 ADAMS	416158	475137RAR SPG	415137	47545 VIC	43290S
47436	VIC	9049	474798 LETN	416158	475138 SPG	415138!	475458 TIMKE	415458
47436	VIC	9049N	47481 C-R	39825	47515-1 VIC	5397\$	475458 WMG	415458!
47438	VIC	474274*	47481 C-R	487250V!	475156 SPG	417621!	47546 VIC	3794
47438	VIC	8994N =	474824 ADAMS	415483!	47516 VIC	2443	47547 VIC	710068
47439	VIC	9342S	474824 LETN	415483!	47517 VIC	473467!	475483 SPG	415483
47440	C-R	417538	474824 WABCO	415483	47518 VIC	473560N	47549 C-R	417252
47440	VIC	7245	47483 VIC	470625!	47518 VIC	710386	47549 VIC	416273
47441	C-R	417538	47483 VIC	5115	47519 VIC	5131	4755 C-R	12X28X7V
474411	BENDI	470954!	47484 C-R	415213N	475196 SPG	415196!	47550 C-R	417252
47442	VIC	6808N	47484 VIC	472747	4752 C-R	12X28X7	47550 VIC	8610
47444	VIC	480844	47485 VIC	8521S	4752 C-R	12X30X7	475500 TIMKE	455500
47445	VIC	441319	47486 VIC	3394	47521 VIC	477069!	47551 C-R	417252
47447	VIC	331173	47488 VIC	2642	47521 VIC	712598	47551 VIC	3348
47448	VIC	8750S	47489 VIC	417158!	47522 VIC	2043	47552 VIC	2440
47449	VIC	3604	47490 VIC	482267	47523 VIC	5121	47553 VIC	3357
47450	VIC	8660S	47491 VIC	415458*	475234N TIMKE	415234	47555 VIC	2876
47451	C-R	417538	47491 VIC	415458!	47524 VIC	2955	47556 VIC	442874
47451	VIC	8935S	47492 VIC	9316	47525 VIC	3087	47557 VIC	9487
47452	VIC	472394	47494 HYST	415294!	47526 VIC	2222	47558 VIC	413248
47453	VIC	9599S	47494 SPICE	370033A	47527 VIC	3214	47559 VIC	473313!
47454	VIC	200855	47494 VIC	370033A	47528 VIC	4148	4755B JN-MN	417546!
47455	C-R	200642	47495 VIC	370023A	475281 SPG	417349!	47562 VIC	2443
47455	VIC	200110	47496 VIC	6808N	47529 VIC	3195	475621 WHITE	456618
47456	VIC	6575S	47497 VIC	40316S	47530 VIC	2286	475645 SPG	415645!
47457	VIC	9569S	47498 VIC	410059	475303 SPG	415303!	47566 VIC	2658
47458	VIC	9161	47498 VIC	470380!	475304 SPG	476470	47567 VIC	417158!
47460	VIC	712146	47499 HYST	416706!	475310 C-R	416313	47569 VIC	710007
47460	VIC	9911S	47499 VIC	471652	475316 C-R	415437!	475697 SPG	415697!
47461	VIC	8660S	47499 VIC	482208!	475316 C-R	415437	4757 C-R	12X28X7V

! Industrial Size/Type * Minor Width Difference \$F-M Number Is Part Of A Kit = Call 1-800-480-1212 for price and delivery.

Zero Duplication or Recommended		Zero Duplication or Recommended		Zero Duplication or Recommended		Zero Duplication or Recommended	
Mfr. No.	Name	Industrial	Mfr. No.	Name	Industrial	Mfr. No.	Name
47570	HYST	55276=	47603	VIC	3227	47647	SPICE
47570	VIC	2655	47604	VIC	1948	47647	VIC
475713	WHITE	6532S=	47604	VIC	50X68X8!	476470	NATL
47572	VIC	3945	476041	SPG	416041	476470	TIMKE
475720	WHITE	6532S=	476047	SPG	416332!	47648	VIC
475725	SPG	415725!	47606	VIC	224820	47649	VIC
475733	SPG	417316!	47606	VIC	48X62X8!	4764B	JN-MN
47574	VIC	1196	47606TA	TRSCM	415213N	4765	C-R
47575	VIC	473258	47606TA	TRSCM	417247!	4765	TIMKE
47575TA	TRSCM	415138!	47607	VIC	473812	476500N	TIMKE
47576	VIC	1955	47608	VIC	370003A	476508XX	TIMKE
47576	VIC	52X65X9!	47609	VIC	473179!	476512	TIMKE
47577	VIC	223240	4760B	JN-MN	417343!	476512SSR	SPG
47577	VIC	32X48X8!	47610	VIC	471271!	476514	TIMKE
47578	VIC	473445	476107	SPG	416107!	476516E	SPG
47579	VIC	1097N	47611	VIC	471271!	476517	TIMKE
47580	VIC	222510*	4761107	CHRYSLER	3459	476518	TIMKE
47580	VIC	25X35X7!*	47612	VIC	473243	476535	TIMKE
47581	VIC	416292	476125	SPG	416125!	47655	VIC
47582	VIC	472572!	47613	VIC	470380!	47655	VIC
47583	C-R	415066	476130	SPG	416130!	476556	SPG
47583	VIC	472572	476135	SPG	416135!	476556	SPG
475831	WHITE	5405	47614	VIC	411253!	47656	VIC
475831A	WHITE	5405	476153	SPG	416153!	47656	VIC
475831B	WHITE	5405	47616	VIC	471413!	47657	VIC
475836	SPG	415995!	47618	VIC	473010!	476573	GMC
475836	SPG	415995!	4761B	JN-MN	50266	476574N	TIMKE
47584	VIC	7186S	47620	VIC	68X90X10	47658	VIC
475845	TIMKE	475845	4762017	CHRYSLER	39803	47658	VIC
47585	VIC	455080*	476208XX	TIMKE	47X62X8	47659	VIC
47585TA	TRSCM	417538	47621	VIC	226018	4765B	JN-MN
47587	VIC	204027	47622	VIC	475996H=	47660	C-R
47589	C-R	415066	47623	VIC	710045	47662	VIC
47589	VIC	712625	47624	VIC	8622	476624	SPG
475894	SPG	412473!	47625	VIC	251511	47663	VIC
4758B	JN-MN	470954!*	47626	VIC	5699	47664	VIC
47590	C-R	415066	476271	SPG	416271!	47664	WITTE
47590	VIC	2503	476273	SPG	416273	47665	VIC
47590	VIC	2503N	47628	VIC	3543	47665	VIC
47593	VIC	204500!	476281	TIMKE	476281	476653	SPG
475937	SPG	415937!	476282	TRANG	416282	47666	VIC
47594	C-R	415066	476283N	TIMKE	416282	47666	VIC
47594	VIC	472164!	476288	SPG	416288!	476664	SPG
47595	VIC	452742	4762899	CHRYSLER	472572	476666	SPG
475953	SPG	415035	476294	SPG	416294!	47667	VIC
47596	VIC	370132A	4762N	TIMKE	4762N	47667	VIC
475960	NATL	415960	4763	C-R	12X30X7	47668	VIC
47597	VIC	456744N	47630	VIC	722109	47669	DANA
47598	VIC	412119!	47631	VIC	722108	47669	VIC
475984	SPG	415984!	47632	VIC	2300	4767	C-R
47599	VIC	415995!	47633	VIC	6808N	47670	C-R
47599	VIC	415995	476339	SPG	416339	47670	VIC
475995V	NATL	415995!	47634	VIC	370004A	47670	VIC
475F324	C-R	415379*	476345	SPG	416345!	47671	VIC
475FF316	C-R	415437	47636	VIC	476574N	47672	VIC
475FM324	C-R	415379*	476365	SPG	417492	47673	VIC
475HD316	C-R	415437	47637	VIC	415483!	47674	VIC
475HM316	C-R	415437	476375	WHITE	733105	47674	VIC
475W316	C-R	415437!	47638	VIC	470898	47676	VIC
475W316	C-R	415437	47639	VIC	471341!	47677	VIC
475W316-M1	C-R	415437!	4763B	JN-MN	473234	47677	VIC
475W316-M1	C-R	415437	4763S	TIMKE	4763S	47678	VIC
475W320	C-R	415937!*	4764	TIMKE	4764	47679	VIC
475W324	C-R	415379!	47640	VIC	470682	476793	GMC
475W324	C-R	415379	47641	VIC	3385	47680	VIC
475W625	CONE	5527	476414	SPG	415991	47681	VIC
4760	C-R	12X30X7	476414	SPG	415991!	476810XX	TIMKE
47600	VIC	415483	47642	VIC	3199	47682	VIC
476011	SPG	417621!	476424N	TIMKE	476424N	476820	TIMKE
47602	VIC	415988	47643	VIC	3583	47683	VIC
476023N	TIMKE	100495	47645	VIC	9845	476838	NATL
476023N	TIMKE	476023N	47646	VIC	413470!	476838	TIMKE
47684	VIC	710051	476842	TIMKE	476842	47685	VIC
476842	TIMKE	476842	47685	VIC	473442!	47686	VIC
47685	VIC	471870!	47686	VIC	471870!	47687	VIC
47686	VIC	471870!	476865	SPG	416865!	47688	VIC
476865	SPG	416865!	47687	VIC	472635	47688	VIC
47687	VIC	472635	47688	VIC	450307!	476888	SPG
47688	VIC	450307!	476891	SPG	416891!	476891	SPG
476888	SPG	416888!	476892	SPG	416892!	47690	C-R
476891	SPG	416891!	47690	C-R	370005A	47690	C-R
476892	SPG	416892!	47690	C-R	370181A	47690	C-R
47690	C-R	370005A	47690	C-R	380003A	47690	VIC
47690	C-R	370181A	47690	VIC	474133	47691	VIC
47690	C-R	380003A	47691	VIC	40169S	47692	C-R
47690	VIC	474133	47692	C-R	370001A	47692	C-R
47691	VIC	40169S	47692	C-R	380001A	47692	VIC
47692	C-R	370001A	47692	VIC	50266	476921	SPG
47692	C-R	380001A	47692	VIC	416921!	47693	VIC
47692	VIC	50266	47693	VIC	487945	47694	C-R
476921	SPG	416921!	47694	C-R	370003A	47694	C-R
47693	VIC	487945	47694	C-R	380003A	47694	C-R
47694	C-R	370003A	47694	C-R	200851	47695	C-R
47694	C-R	380003A	47695	C-R	370003A	47695	C-R
47694	C-R	200851	47695	C-R	380003A	47695	VIC
47695	C-R	370003A	47695	C-R	417488!	4769540	CONE
47695	C-R	380003A	47695	VIC	415185N=	4769542	CONE
47695	VIC	417488!	4769540	CONE	415185N=	47696	C-R
4769540	CONE	415185N=	4769542	CONE	415219=	47696	C-R
4769542	CONE	415219=	47696	C-R	370003A	47696	C-R
47696	C-R	370003A	47696	C-R	380003A	47696	C-R
47696	C-R	380003A	47696	C-R	380003A	47697	VIC
47696	C-R	380003A	47697	VIC	252277	47697	VIC
47696	C-R	380003A	47697	VIC	472193!	47698	C-R
47696	C-R	380003A	47698	C-R	370003A	47698	C-R
47696	C-R	472193!	47698	C-R	380003A	47698	VIC
47697	VIC	252277	47698	VIC	710044	47698	VIC
47697	VIC	472193!	47698	VIC	370006A	47699	C-R
47697	VIC	472193!	47699	C-R	223012	47699	VIC
47697	VIC	472193!	47699	VIC	TCS45724	47699	VIC
47697	VIC	472193!	47699	VIC	455858	476W314	C-R
47697	VIC	472193!	47699	VIC	221710	47700	VIC
47697	VIC	472193!	47699	VIC	2011	47701	VIC
47697	VIC	472193!	47699	VIC	47X70X10	477010XX	TIMKE
47697	VIC	472193!	47699	VIC	3591	47702	VIC
47697	VIC	472193!	47699	VIC	370003A	47702	VIC
47697	VIC	472193!	47699	VIC	471765!	47703D	IH
47697	VIC	472193!	47699	VIC	471539	47704	VIC
47697	VIC	472193!	47699	VIC	7568	47705	VIC
47697	VIC	472193!	47699	VIC	477055	47705	TIMKE
47697	VIC	472193!	47699	VIC	47706	47706	VIC
47697	VIC	472193!	47699	VIC	477069	477069	TIMKE
47697	VIC	472193!	47699	VIC	477069	477069	SGR
47697	VIC	472193!	47699	VIC	3677	47707	VIC
47697	VIC	472193!	47699	VIC	41257!	47707	VIC
47697	VIC	472193!	47699	VIC	17X30X7!	47708	VIC
47697	VIC	472193!	47699	VIC	221720	47708	VIC
47697	VIC	472193!	47699	VIC	494122	47709	VIC
47697	VIC	472193!	47699	VIC	224270	47710	VIC
47697	VIC	472193!	47699	VIC	42X72X10!	47711	VIC
47697	VIC	472193!	47699	VIC	222540	47711	VIC
47697	VIC	472193!	47699	VIC	710222	47712	VIC
47697	VIC	472193!	47699	VIC	223608	47712	VIC
47697	VIC	472193!	47699	VIC	36X52X7!	47713	VIC
47697	VIC	472193!	47699	VIC	17X32X7!	47713	VIC
47697	VIC	472193!	47699	VIC	221730	47713	VIC
47697	VIC	472193!	47699	VIC	224255	47714	VIC
47697	VIC	472193!	47699	VIC	42X65X10!	47714	VIC
47697	VIC	472193!	47699	VIC	19X32X8	47715	VIC

Zero Duplication or Recommended Industrial			Zero Duplication or Recommended Industrial			Zero Duplication or Recommended Industrial			Zero Duplication or Recommended Industrial		
Mfr. No.	Name		Mfr. No.	Name		Mfr. No.	Name		Mfr. No.	Name	
47717	VIC	20X35X7!	47749	VIC	224570	4780B	JN-MN	417481	47905	VIC	BS40502
477171	SPG	417171!	47749	VIC	45X72X12!	47810	VIC	416102	479061	WHITE	417506
477172	SPG	417172	4774B	JN-MN	417181!*	47811	VIC	7131	47909	VIC	341022
47718	VIC	222820	47751	VIC	3774	47812	VIC	335924N	4790B	JN-MN	416865!*
477181	SPG	417181!	47751	VIC	455614!	47813	VIC	7896S	47911	VIC	471442
47719	VIC	471652	47751	VIC	TCS45473	47816	VIC	335924N	47912	VIC	473476
47719	VIC	482208!	47752	VIC	417555!	4781B	JN-MN	415867*	47913	VIC	455956H
477191	SPG	417191	47753	VIC	3772	478235R91	IH	415449!	47914	VIC	222820
477196	SPG	417196!	47754	VIC	710167	47831	HYST	415350	47914	VIC	28X40X7!
47720	VIC	710201	47755	VIC	2443	4783B	JN-MN	417481	47916	VIC	3747
477205	SPG	417205!	47756	VIC	415551	4784B	JN-MN	415041*	47917	VIC	224045
477211	SPG	417211!	47757	VIC	417247!	4784LPD	JN-MN	415041	47917	VIC	40X62X12!
47722	VIC	413818	47759	VIC	3907	47852	VIC	9128S	47918	VIC	3771
47723	VIC	474133	4775B	JN-MN	55501=	478522R91	IH	471692!	47919	VIC	222330
47724	VIC	417231!	47760	VIC	3907	47853	VIC	415983	47919	VIC	710155
477241R91	IH	415449!	47761	VIC	2506	47853	VIC	415983N!	47919	VIC	TCS45847
477247	SPG	417247!	4776142	CONE	417571=	47854	VIC	9773	4791B	JN-MN	415196!
477254	SPG	417254	47762	VIC	5604	47854SF	VIC	9773	47920	VIC	481826
47726	VIC	472572	47763	VIC	224255	47855	VIC	9344S	47920	VIC	4989
477262	SPG	417262!	47764	VIC	223010	47856	VIC	417499	47921	VIC	222020
477278	SPG	417278	47765	VIC	710272	47857	VIC	416043	4792318	CHRYSLER	714655
47728	VIC	35X50X8!	47766	VIC	455625=	47859	VIC	200948	47925	VIC	472015
47728	VIC	3771	47767	VIC	710154	4785B	JN-MN	416654!	47926	VIC	1198
47728	VIC	713771	47768	VIC	19X35X10!	47860	TROS	472311!	47927	VIC	224025
47729	VIC	227410	47768	VIC	45031S	47860	VIC	7208S	47928	VIC	710060
47730	VIC	224460	47769	VIC	415991!	47863	VIC	417123*=	47929	VIC	3655
47730	VIC	44X60X10!	4776B	JN-MN	417605	47864	VIC	2261	47930	VIC	4040N
477307	SPG	416624!	4777086	CHRYSLER	320249	47864	VIC	231104	47931	VIC	713655
477316	SPG	417316!	47771	VIC	710053	47865	VIC	476124=	47932	VIC	417539!
4773327	CHRYSLER	4525V	47772	VIC	417554!	478650C1	IH	100494	47934	VIC	470380!
47734	VIC	224465	47773	VIC	342517	478650C1	IH	476470!	47934	VIC	472189A
47734	VIC	44X65X10!	4777311	CHRYSLER	100052T	47866	VIC	416557	47935	VIC	712005
477343	SPG	417343!	4777311	CHRYSLER	5279	47866001	VIC	JX1137=	47937	VIC	471424!
477344	SPG	417344!	4777311	CHRYSLER	710056	47867	VIC	416556!	4793SS	JN-MN	471538!
477349	SPG	417349!	47774	VIC	8660S	47867	VIC	472157	47940	VIC	4160
47735	VIC	224835	47775	VIC	3622	47868	VIC	39723	47941	VIC	3909
477350	SPG	417350!	47776	VIC	710067	4786OS	JN-MN	415294!	47942	VIC	3942
477351	SPG	417351!	47777	VIC	5487	47870	VIC	455251H	47944	VIC	200886
477352	SPG	418028	47778	VIC	6872S	47874	VIC	370132A	47945	VIC	3051N
477353	SPG	417353!	47779	VIC	370005A	47875	VIC	722250	47946	VIC	200881
477354	SPG	417354!	47780	VIC	2146	47876	VIC	370057A	47947	VIC	200392
477355	SPG	417355!	47781	VIC	417254	47877	VIC	370046A	47948	VIC	17760
477356	SPG	417356!	47781	VIC	5473	47879	VIC	417506	47948	VIC	6936S
477357	SPG	417357	47782	VIC	223014	47879SF	VIC	417506	47949	VIC	417433!
477358	SPG	417358	47782	VIC	30X45X5!	47880	VIC	370047A	47949	VIC	417433*
477359	SPG	417359	4778228	AMC	5414	47880	VIC	9584!	4794B	JN-MN	476470
477360	SPG	417360	4778228	CHRYSLER	5414	47880SF	VIC	370047A	47950	VIC	223420
477361	SPG	417361	47783	VIC	710043	47881	VIC	3592	47952	VIC	710164
477362	SPG	417362!	47784	VIC	710274	47885	DANA	9316	47953	VIC	222860
477363	SPG	417363	47786	VIC	6897=	47885	VIC	9316	47953	VIC	28X47X7!
477364	SPG	417364	47788	VIC	416888!	47887	VIC	370012A	47954	DANA	41461S
477365	SPG	417365	47789	VIC	5460	47889	VIC	370019A	47954	VIC	41461S
477366	SPG	417366!	47790	VIC	455583N!	47890	VIC	370195A	47955	VIC	710046
47738	VIC	223018	47792	VIC	415137*	47891	VIC	386025A	47956	VIC	3553
47739	VIC	225010	47792	VIC	418028!	47891	VIC	416158	47958	VIC	8610
47739	VIC	50X65X8!	477936H	NATL	227045	47892	VIC	710056	47959	VIC	223255
47740	VIC	474134	477936HAR	NATL	227045	47894	VIC	483488	4795B	JN-MN	415001!
477405641	PORSC	1012	47795	VIC	417506	47895	VIC	417210!	4795V	TIMKE	4795V
477405641	PORSC	1012N	47795	VIC	6864S!	47896	VIC	473459!	47960	VIC	5698
477405641	VW	1012	47796	VIC	7376=	47897	VIC	710005	47961	TROS	40094S
477405641	VW	1012N	47797	VIC	415036	478978	C-R	2146	47961	VIC	3667
47742	VIC	225010	47798	VIC	418028	47898	VIC	3173	47962	TROS	40097S
47742	VIC	50X65X8!	47799	VIC	370012A	47898	VIC	710928	47962	VIC	222835
47743	VIC	223235	47800	VIC	370015A	47899	VIC	5697	4796492	CHRYSLER	417158!
47744	VIC	714075	47801	VIC	2055	4789SS	JN-MN	481073	47965	VIC	240385
47745	VIC	3459	47802	VIC	370019A	4790	C-R	12X35X7!	47966	VIC	221925
47745	VIC	40X58X10!	47803	VIC	370005A	47900	VIC	473677	47967	VIC	710243
47746	VIC	36X58X8!*	47805	VIC	370021A	47903	VIC	4127	47968	VIC	39723
47746	VIC	474288	47805X	SPG	8370S	47904	VIC	3896	47969	VIC	39732
47747	VIC	222240	47807	VIC	8996S=	47905	DANA	415035	4796B	JN-MN	415036
47747	VIC	22X40X7!	47808	VIC	7866S	47905	DANA	415035!	47971	VIC	8316
47748	VIC	800450	47809	VIC	8549S	47905	VIC	415035	47972	VIC	4099

! Industrial Size/Type * Minor Width Difference = Call 1-800-480-1212 for price and delivery.

Zero Duplication or Recommended		Zero Duplication or Recommended		Zero Duplication or Recommended		Zero Duplication or Recommended	
Mfr. No.	Name	Industrial	Mfr. No.	Name	Industrial	Mfr. No.	Name
47973	VIC	352637	48014	VIC	48X65X10!	480331N	SPG 473452
4797334	CHRYS	3459	480141	SPG	470954!	48034	VIC 200861
47974	VIC	6815	480148	C-R	7692S+99149	48035	VIC 451817
47975	VIC	8314	480149	C-R	340136+99149	480350	C-R 415991N+99350
47976	VIC	455005	48015	VIC	480581	480352	SPG 472164!
47980	VIC	203005!	480150	C-R	9613S+99149	480356	TIMKE 474278
47980	VIC	204005	480151	C-R	51098+99149	480356V	NATL 474278
47981	VIC	472635	480152	C-R	470380+99149	48036	ALLCH 471647
4798112	CHRYS	710046	48016	VIC	224570	48036	VIC 471808!
4798125	CHRYS	472572	480163	SPG	471766!	480365	SPG 470898
47982	VIC	8312	480168	C-R	7300S+99168	48037	VIC 471766
4798216	CHRYS	5106	48017	VIC	224255	48038	VIC 48X90X10
47983	VIC	370150A	480173	C-R	473237+99174	480380	SPG 470380!
47984	VIC	710065	480176	C-R	204038+99174	48039	VIC 314259!
47985	VIC	417350=	480177	C-R	5000	48041	VIC 4165V=
47987	VIC	3606	480177	C-R	88176+9845	48041	VIC 5645
47988	VIC	4148	480177	C-R	9845+99176	48044	VIC 3459
47989	VIC	470672	48018	VIC	4244	48044	VIC 40X58X10!
47990	VIC	473237	480183	SPG	472179	48045	VIC 313156
47991	VIC	4143	480184	C-R	332062+99186	480450	C-R 455200+99450
47992	VIC	100263	480185	C-R	2692+88187	48046	C-R 712449
47992	VIC	3905	480185	C-R	2692+99187	48046	VIC 120X160X12
47993	VIC	223420	480185	C-R	5001	480479	NATL 473445
47994	VIC	1987	480186	C-R	2692+88187	480479H	CONSL 473445
47995	VIC	471950	480186	C-R	2692+99187	480479H	TIMKE 473445
47997	VIC	710167	480186	C-R	5001	48049	VIC 710365
4799B	JN-MN	415034!	480187	C-R	6712NA+99187	480491	TIMKE 480491
479F	OSHKO	415001!	48019	VIC	200854	480494	SPG 472164!
47X62X8SB	TRSCM	1949	480194	SPG	473010!	4804DA	IH 80313
47X62X8SC	TRSCM	47X62X8!	480198	C-R	331107N+99199	48050	C-R 455251H
47X62X8TC	TRSCM	47X62X8!	4801B	JN-MN	456105	48050	VIC 3894V
47X65X8SC	TRSCM	47X65X8	48020	VIC	200861	480550	SPG 710058
47X65X8TC	TRSCM	47X65X8	48021	VIC	200133	480550SSR	SPG 710058
47X68X10SC	TRSCM	47X68X10!	480210	NATL	9376	480553	SPG 471224!
47X68X10TC	TRSCM	47X68X10!	480210	TIMKE	480210	480565	SPG 470565!
47X70X10SC	TRSCM	47X70X10!	480219	C-R	3103+99218	480567	SPG 471267!
47X70X10TC	TRSCM	47X70X10!	48022	VIC	225875	480567R	SPG 471267!
48000	C-R	370005A	48023	VIC	17795	480570	TIMKE 472258
480005	SPG	471526!	48023	VIC	2942	480574H	TIMKE 480574H
480007SK	SPG	471281!	480233	C-R	3945+88233	480581	TIMKE 480581
48001	C-R	370005A	480233	C-R	3945+99233	480581SSR	SPG 480581
48001	VIC	200603	48023D	IH	473421	480590	SPG 470590
48002	C-R	370003A	48024	VIC	223608	48060	C-R 455251N*
48002	C-R	415437	48024	VIC	36X52X7!	480605	SPG 470605!
48002	VIC	200752	480245	SPG	471795	48061	VIC 3638
48003	VIC	200885	480249	C-R	415449+99250	480625	SPG 470625!
48004	VIC	200887	48025	VIC	224560	48063	VIC 225020
48005	VIC	455134!	480250	C-R	471271+99250	480630	NATL 480630=
480050	C-R	8792S+99050	48026	VIC	451845	480630	TIMKE 480630
480055	NATL	473215	480260	C-R	475003N+99262	48064	VIC 229005
480055	TIMKE	473215	480261	C-R	418027+99262	48065	C-R 455251H
48006	VIC	2007N	480262	C-R	9773+99262	48065SF	VIC 4795V
48007	VIC	223543!	48027	VIC	710213	48067	VIC 415937
480070	SPG	472185!	480273	C-R	475322N+99274	48068	VIC 39807
480071	SPG	472439	480274	C-R	417316+99274	480682	SPG 470682
480074	C-R	727410+99076	480275	C-R	415009N+99274	480685CA	SPG 225225
48008	VIC	320583	480278	C-R	416282+99274	480685CA	SPG 52X70X8!
48009	VIC	223605	480281	NATL	7013S	48069	VIC 473241
480097	C-R	240731+99100	480281	TIMKE	480281	48070	C-R 75251S
480097	C-R	240731+99101	48028S	TROS	412920	48070	VIC 370065A
480098	C-R	470120+99101	48029	VIC	223800	48071	VIC 370036A
480099	C-R	471224+99101	480293	C-R	35949N+99293	48071	VIC 370349A
4800B	JN-MN	417273	480293	C-R	4563V	480712	SPG 470712!
48010	VIC	224100	480294	C-R	475012N+99293	48072	VIC 370037A
48010	VIC	40X65X10!	480299	C-R	417349+99300	48072	VIC 370338A
48010	VIC	474161	4802B	JN-MN	415551	480732VD	SPG 710164
480101N	SPG	412119	480300	C-R	415013N+99300	480739VD	SPG 473241
48011	VIC	710058	480303	C-R	415086N+99300	48075	C-R 75251S
480119	SPG	471442!	480303	TIMKE	472015	48075	VIC 370005A
48012	VIC	3638	48032	VIC	4249	48076	VIC 370021A
480125	C-R	471766+99125	480325	C-R	416470N+99325	48077	VIC 386025A
48014	VIC	1973	48033	VIC	2260	48077	VIC 416158
48077354	GE	471255!	48078	VIC	370001A	48080	WAUKE 417171!
48080	NATL	474131	480821	NATL	7013S	480821	TIMKE 480821
48082	VIC	370023A	48084	VIC	48084	48085	VIC 370003A
48084	VIC	48084	48086	VIC	386025A	48086	VIC 416158
48084	VIC	48084	48086	VIC	470898	48086	VIC 470898
48085	VIC	370003A	48087	VIC	370065A	48087	VIC 370036A
48086	VIC	370036A	48088	VIC	370349A	48088	VIC 480889
48086	VIC	48086	48089	VIC	370003A	48089	VIC 470898
48087	VIC	370001A	48090	VIC	370023A	48090	VIC 370106A
48088	VIC	370036A	48092	VIC	370106A	48092	VIC 473237!
48088	VIC	370349A	480929	SPG	473237!	48093	VIC 370021A
480889	TIMKE	480889	48093	VIC	370037A	48094	VIC 370338A
48089	VIC	370003A	48094	VIC	416892	48095	VIC 470954
480898	SPG	470898	480954	VIC	470954	480954V	TIMKE 470954
48090	VIC	370001A	48096	VIC	370047A	48096	VIC 370131A
48091	VIC	370023A	48097	VIC	370131A	48097	VIC 415058
48092	VIC	370106A	48098	VIC	473474	480988H	TIMKE 473474
480929	SPG	473237!	48099	C-R	416163	48099	VIC 370069A
48093	VIC	370021A	48099	VIC	380069A	48099	VIC 480630
48094	VIC	370037A	480991	TIMKE	480630	48099S	JN-MN 55223*=
48094	VIC	370338A	48100	C-R	416163	48100	C-R 416163
48095	VIC	416892	48101	C-R	416163	48101	C-R 470954!
480954	TIMKE	470954	48101	ROCKW	470954!	481019	SPG 472185!
480954V	TIMKE	470954	481019	SPG	472185!	48103	VIC 4278
48096	VIC	370047A	48103	VIC	4278	481047	SPG 471571
48097	VIC	370131A	48103	VIC	471571	481073	TIMKE 481073
48098	VIC	415058	481047	SPG	471571	481076	NATL 471076
480988H	TIMKE	473474	481073	TIMKE	481073	4810SH	JN-MN 240119*
48099	C-R	416163	481076	NATL	471076	4810SS	JN-MN 471442!*
48099	VIC	370069A	481076	NATL	471076	4810V	TIMKE 4810V
48099	VIC	380069A	481076	NATL	471076	48110	DANA 710096
480991	TIMKE	480630	481076	NATL	471076	48110	VIC 710096
48099S	JN-MN	55223*=	481076	NATL	471076	481100	SPG 471652
48100	C-R	416163	481076	NATL	471076	481100SSR	BRWNG 471652
48101	C-R	416163	481076	NATL	471076	481100SSR	BRWNG 482208!
48101	C-R	416163	481076	NATL	471076	48112	VIC 473814
48101	C-R	416163	481076	NATL	471076	481131	SPG 473215!
481019	SPG	472185!	481076	NATL	471076	481134	NATL 471787!
48103	VIC	4278	481076	NATL	471076	481138	SPG 471138!
481047	SPG	471571	481076	NATL	471076	481139	SPG 473239!
481073	TIMKE	481073	481076	NATL	471076	481150	NATL 473231!
481076	NATL	471076	481076	NATL	471076	481163	NATL 481163!
4810SH	JN-MN	240119*	481076	NATL	471076	481163	NATL 50319
4810SS	JN-MN	471442!*	481076	NATL	471076	481163	NATL 6759S
4810V	TIMKE	4810V	481076	NATL	471076	481163	TIMKE 481163
48110	DANA	710096	481076	NATL	471076	481181	NATL 481181
48110	VIC	710096	481076	NATL	471076	481181	SPG 481181!
481100	SPG	471652	481076	NATL	471076	481181	TIMKE 481181
481100SSR	BRWNG	471652	481076	NATL	471076	481181N	TIMKE 481181
481100SSR	BRWNG	482208!	481076	NATL	471076	481181SSR	SPG 481181!
48112	VIC	473814	481076	NATL	471076	481190A	FORD 471316
481131	SPG	473215!	481076	NATL	471076	481190A1	FORD 4713

Zero Duplication or Recommended Industrial		Zero Duplication or Recommended Industrial		Zero Duplication or Recommended Industrial		Zero Duplication or Recommended Industrial					
Mfr. No.	Name	Mfr. No.	Name	Mfr. No.	Name	Mfr. No.	Name				
481192	SPG	471192	48145	VIC	380048A	481834	TIMKE	481834	48225	SPICE	719316
481193N	SPG	471193	48146	VIC	370033A	481837	TIMKE	473228	48225	VIC	415302
481195	TIMKE	471195	481466	SPG	471466!	48184	VIC	7692S	482253	TIMKE	482253
48120	TROS	7780	48147	VIC	370008A	481847R91	IH	203006!	482258	SPG	472258!
481213	NATL	470328	481472	SPG	471472!	481859	TIMKE	481859	482258V	TIMKE	472258
481213	TIMKE	481213	48148	VIC	370006A	481859SSR	BRWNG	481859	48226	VIC	450341
481224	SPG	471224!	481481	TIMKE	481481	48186	VIC	471645	482267	TIMKE	482267
481224V	TIMKE	471224	48149	VIC	417506	481864	TIMKE	481864	48227	VIC	450362
481255	SPG	471255!	48150	C-R	345214=	48187	VIC	204013	482278	SPG	471413!
481264	SPG	471264!	481504	SPG	471504	481883	SPG	471870!	48228	C-R	451583!
481267	SPG	471267!	48152	C-R	345214=	48189	VIC	473215!	48229	VIC	471612
481268	SPG	472258!	48152	VIC	472258	48191	VIC	473242	482299	SPG	472299
48127	VIC	17780	481526	SPG	471526!	48192	VIC	473458!	482299RA	SPG	472299
48127	VIC	6636S	481528	TIMKE	481528	48192	VIC	473458!	48230	VIC	471736
481271	SPG	471271!	48153	VIC	470460	48194	VIC	473517!	482309	TIMKE	482309
481272	NATL	471272!	481537	TIMKE	481537	48195	VIC	253099!	482310	VIC	471887
481279	NATL	472213	481538	TIMKE	471538	48196	VIC	472287!	482310	TIMKE	482310
481289	SPG	1999	481538VGR	SPG	471538	48198	VIC	474256!	482319	SPG	472319
48129	VIC	3945	48154	VIC	415023	48199	VIC	473205!	48232	VIC	25X62X10
481294	SPG	471526!	48155	VIC	417073	481992	TIMKE	481992	48233	VIC	472954
48130	VIC	710091	481551	SPG	471551!	4819989	ALLCH	472636!	48234	VIC	473225!
481305R	SPG	473454*	481554	SPG	471554!	4819990	ALLCH	416556!	48235	VIC	473233!
481305RAR	SPG	473454*	48156	VIC	417171!	4819990	ALLCH	472157	48236	VIC	473450!
481308	SPG	470380!	481564	SPG	471564	4819991	ALLCH	J1130	48237	VIC	473455!
48131	VIC	4122	481567	SPG	471567!	48200	VIC	481792	48238	VIC	473474
48131	VIC	470547	481568	NATL	481568	482005	SPG	473240!	48239	VIC	474261
481316	SPG	471316	481568	TIMKE	481568	482009	SPG	472397!	482393R1	IH	240735
48132	VIC	4503N	48157	VIC	473451!	48201	VIC	472560N	482394	SPG	472394
48133	VIC	714503	481570	SPG	471570!	482015	NATL	472015!	482397	SPG	472397!
48135	VIC	4141	481571V	TIMKE	471571	482016	SPG	472016!	48240	VIC	25X52X10
48135A	RELEE	417343!	481577	AM HO	417357	482018	SPG	472018	482401	NATL	473367
48135AD	RELEE	417366!	481577	AM HO	455192!	48202	VIC	471570!	48241	VIC	710152
48135B	RELEE	450260	48158	VIC	455144	482020	SPG	472020	482415	TIMKE	482415
48135D	RELEE	473438	48159	VIC	416156	482029	SPG	472029	48242	VIC	710136
48135E	RELEE	471766!	4815B	JN-MN	415001!	48203	VIC	473380	48243	VIC	710182
48135F	RELEE	415458!	48160	VIC	7568	48204	VIC	471633!	482435+9434	NATL	5397\$
48135G	RELEE	472924!	48161	TROS	1035=	482041N	TIMKE	473454	482439	SPG	472439
48135H	RELEE	413469!	48161	VIC	710105	48205S	TROS	41461S	48245	VIC	710228
48135J	RELEE	412943	48162	TROS	416664!	48206	VIC	472185	48246	VIC	710199
48135K	RELEE	473213!	48163	VIC	4762N	482069N	TIMKE	482069N	48247	VIC	222510
48135L	RELEE	415001!	481643	SPG	471643!	48207	VIC	416961=	482475	SPG	472475
48135M	RELEE	415960!	481644	TIMKE	481644	48208	VIC	444042!	48248	VIC	223253
48135N	RELEE	411394!	481646	SPG	471646!	48210	VIC	471808!	482492	SPG	472492!
48135P	RELEE	472185!	481649	SPG	471649!	48211	VIC	471137	4824B	JN-MN	416888!
48135S	RELEE	412119!	481650	TIMKE	481650	48212	VIC	710204	48250	C-R	455614
48135T	RELEE	417073	481652V	TIMKE	471652	482125	NATL	470954	48251	VIC	223831
48135U	RELEE	415988	48166	VIC	4539H	482125	SPG	480821!	48253	VIC	4904
48135V	RELEE	472572!	48167	VIC	4189H	482126	TIMKE	482126	48254	VIC	1981
48136	VIC	5133	481689	SPG	471689!	48213	VIC	472572	48255	VIC	3622
48136X	RELEE	476470	481692	SPG	471692!	48214	C-R	418028	482554RB	SPG	474276
48137	VIC	487945	4816B	JN-MN	415437*	482144	SPG	472144!	48256	VIC	710103
48138	VIC	416706!	481733	SPG	471733	482163	TIMKE	482163	482572	SPG	472572!
481384	NATL	480581	481737	SPG	471737	482163N	NATL	482163	482576N	TIMKE	471192
48139	VIC	710179	48174	C-R	456890	482163N	TIMKE	482163	48258	VIC	710146
481397	BRWNG	481397	48175	C-R	456890	482163SSR	SPG	482163!	48259	VIC	225230
481397	TIMKE	481397	48176	C-R	456890	482164	SPG	472164!	4825LUP	JN-MN	476842
4813V	TIMKE	4813V	48176	VIC	320259	482164N	TIMKE	472164	48260	VIC	225450
48140	VIC	224255	481763	SPG	471763	48217	VIC	4333N	48261	VIC	223230
48141	VIC	710106	481765	SPG	471765!	482179	SPG	472179	48262	VIC	710241
481410	AM HO	417546!	481766	SPG	471766!	48218	VIC	4370N	482636	SPG	472636!
481413	NATL	471413!	481766V	TIMKE	481766V	482185	SPG	472185!	48266	VIC	4532N
481420	AM HO	416107!	48177	VIC	340835	4821B	JN-MN	455121	48267	VIC	416892
481420	AM HO	455073	48178	VIC	412920	48220	VIC	240462	48269	VIC	800550
481420	SPG	481420	48179	VIC	472258!	482208	TIMKE	482208	48269	VIC	800551
481424	SPG	471424!	481792	TIMKE	481792	48220S	TROS	6643S	4826B	JN-MN	472397!
48143	VIC	710101	481795	SPG	471795	48221	VIC	340817	48271	VIC	3896
48144	VIC	4525V	48180	VIC	710388	482213	SPG	472213	48272	VIC	4739
481442	SPG	471442!	48181	VIC	223012	48221S	TROS	7154S	48273	VIC	4857
481443	NATL	481443	48182	VIC	7412S	48222	VIC	340853	48274	VIC	710270
481443	TIMKE	481443	481826	TIMKE	481826	482230N	TIMKE	482230N	482775F	VIC	9845
481446	AM HO	412871!	48183	VIC	710389	48224	VIC	415034!	48278	VIC	370019A
48145	VIC	370048A	481833V	TIMKE	481833V	48225	DANA	719316	4827B	JN-MN	473446*

! Industrial Size/Type * Minor Width Difference \$F-M Number Is Part Of A Kit = Call 1-800-480-1212 for price and delivery.

Zero Duplication or Recommended		Zero Duplication or Recommended		Zero Duplication or Recommended		Zero Duplication or Recommended		
Mfr. No.	Name	Mfr. No.	Name	Mfr. No.	Name	Mfr. No.	Name	
48281	VIC	710414	483246N TIMKE	413246	485072 SPG	415072	48613 VIC	471526!
48282	VIC	710413	483246N WMG	413246!	4850LA JN-MN	473016!	486130 SPG	416130!
48284	VIC	417505	483247 SPG	413247!	4850LPD JN-MN	473016!	486135 SPG	416135!
48285	VIC	224010	483248 SPG	413248	4851 DIVCO	416738!	48615 VIC	471472!
48286	VIC	223520!	48326 VIC	470059	4851 DIVCO	450096	486153 SPG	416153!
48287	VIC	2081	48327 VIC	370051A	485138 SPG	415138!	48615TA TRSCM	417267
48287	VIC	455511	48328 VIC	416865	48513D IH	473215!	48617 VIC	471549!
48289	VIC	710335	48329 VIC	370078A	485146 SPG	415991	48618 VIC	471442!
48292	DANA	710452	48330 VIC	370094A	485146 SPG	455146!	48619 VIC	471530
48292	SPICE	710452	48331 VIC	370119A	485147 SPG	415449!	4862 ROCKW	410496!
48292	VIC	100497V	48332 VIC	370199A	48518D IH	412119	486208XX TIMKE	48X62X8
48292	VIC	4431V	483323V TIMKE	471272	48519 TROS	416339	48620S TROS	474276!
48292	VIC	9316	483323VGO SPG	471272	48519 TROS	455031!	48622 VIC	472705!
482920	SPG	412920!	48333 VIC	370211A	485195H TIMKE	472157	48623 VIC	471535!
482924	SPG	472924!	48335 VIC	370219A	485196 SPG	415196!	48624 VIC	471551!
48297	C-R	370027A	48336 VIC	370220A	485197HAR SPG	485197H=	48625 VIC	471532
482971SSR	SPG	482971	483367V TIMKE	473367	48519D IH	473228!	48625TA TRSCM	417269!
48298	C-R	AR20+370004A	48340 AMC	5759=	4852214 ALLCH	415437	48626 VIC	473405
48299	C-R	370027A	48340 TROS	450776!	485259 LF-PT	415259!	48627 VIC	471558
483	KRSE	411376!	48341 VIC	415483	485303 SPG	415303!	486271 SPG	416271!
48300	VIC	2457	48342 AMC	471827	485304 SPG	476470	486273 SPG	416273
483010	SPG	473010!	48343 AMC	471141!	485306R1 IH	471643!	48628 VIC	481073
483016	SPG	473016!	48343 VIC	15X32X8	485364 SPG	416664!	486288 SPG	416288!
48302	VIC	473442!	4834772 ALLCH	455151	485364N TIMKE	416664	48629 VIC	471538!
48304	VIC	482163!	483481 NATL	471766!	485379 SPG	415379	486294 SPG	416294!
48305	VIC	4528N	483481 SPG	471766!	48539D IH	200600	4862LA JN-MN	472164!
483054N	TIMKE	483054N	483485 SPG	40769S	4854 SPG	1981	48630 VIC	471579
483054RRR	SPG	483054N	483488 TIMKE	483488	485406VD SPG	2377	486309XX TIMKE	48X63X9
483054VDR	SPG	483054V	4834LA JN-MN	470059	485437 SPG	415437	48632 VIC	470954!
48307	VIC	714679	4834LA JN-MN	470380!	485449 SPG	415449!	486320L C-R	417355!
48308	VIC	4598	48351 VIC	415449!	485458 SPG	415458!	486320L C-R	485497
48311	WAUKE	471570!	48352 VIC	710268	485483 SPG	415483	486339 SPG	416339
48312	VIC	224250	48353 VIC	417987N	48549 HYST	471192	48634 VIC	480821!
48313	VIC	471424!	48354 VIC	710275	485497 SPG	417355!	486345 SPG	416345!
48316	VIC	710304	48355 VIC	455031!	485497 SPG	485497	48636 VIC	471498
48317	VIC	9150S	48356 VIC	415991	485497 TIMKE	485497	48637 VIC	471684!
4831CAR	SPG	710005	48358 VIC	412861	485497X54 SPG	417355!	48638 VIC	450033
48320	VIC	15X26X7	483591 FORD	472560N!	485497X54 SPG	485497	48639 VIC	481443!
483203	SPG	473203	48362 VIC	711553	4856336 AMC	4857	4863LA JN-MN	471141!
483204	SPG	473204	48363 VIC	710171	4856336 CHRYSL	4857	48640 VIC	481568!
483205	SPG	473205!	48365 VIC	473336	485645 SPG	415645!	48640S TROS	415449!
483210	SPG	473210	483793 TIMKE	483793	485697 SPG	415697!	48641 VIC	471337
483211	SPG	473211!	4837B JN-MN	455136	4856LA JN-MN	471750!	486414 SPG	415991!
483212	SPG	473212!	4838 HYST	415035	4857 TIMKE	4857	486414 SPG	415991
483213	SPG	473213!	4838 HYST	415035!	485725 SPG	415725!	48642 VIC	474273
483214	SPG	473214!	483801 SPG	1949	485836 SPG	415995!	48643 VIC	471645
483215	SPG	473215!	483856 ALLCH	415577	485836 SPG	415995!	48644 VIC	471686
483224	SPG	473224!	4838563 ALLCH	415577	485894 SPG	412473!	48645 VIC	473412
483225	SPG	473225	48387 VIC	TCS45939	485921N NATL	413246	48646 VIC	473413
483226	SPG	473226	4838B JN-MN	473450	485937 SPG	415937!	48647 VIC	473414
483227	SPG	473227!	484054 TIMKE	484054	485953 SPG	415035	48649 VIC	473415
483228	SPG	473228!	484058 TIMKE	484058	485960 SPG	415960	4864LA JN-MN	455583N!
483229	SPG	473229!	484064V TIMKE	484064V	485984 SPG	415984!	4864LUP JN-MN	455583N!
483230	SPG	473230!	4840LA JN-MN	417082*	48600 VIC	350364	48650 VIC	471267!
483230V	TIMKE	473230	484103SGR SPG	224470	486011 SPG	417621!	48651 VIC	471633!
483231	SPG	473231!	484103SGR SPG	44X72X10!	486023 SPG	417349!	486510XX TIMKE	48X65X10
483232	SPG	473232!	484132SSR SPG	710053	48603 VIC	50010	48652 VIC	470590
483233	SPG	473233!	484156V TIMKE	484156V	486041 SPG	416041	48653 VIC	471137
483234	SPG	473234!	4842LA JN-MN	471649!	486047 SPG	416332!	48654 VIC	471730
483235	SPG	473235!	4843 SKIL	471231!	48605SA TRSCM	416167	48654S TROS	417344!
483236	SPG	473236!	484320 C-R	55353	48606 VIC	50199S!	48655 VIC	471730
483237	SPG	473237!	48440 TROS	6127	48606 VIC	6863S!	486556 SPG	416556!
483238	SPG	473238!	48460 TROS	472258!	48607 VIC	50199S!	486556 SPG	472157
483238V	TIMKE	473238	48464 TROS	473419	48607 VIC	6863S!	48657 VIC	471649!
483239	SPG	473239!	484766R91 IH	204008	48609 VIC	320457	48659 VIC	450038
483240	SPG	473240!	48498D IH	416444	4860S SPG	8312	48660 VIC	471571
483241	SPG	473241	484W316-M1 C-R	6638S*	4860SCR NATL	8312	48661 VIC	471647
483242	SPG	473242	485011 SPG	416921!	4860SCR SPG	8312	48662 VIC	472951
483243	SPG	473243	4850132 ALLCH	415645!	48610 VIC	470004!	48662 VIC	474252
483244	SPG	473244!	4850132 ALLCH	455104	486107 SPG	416107!	486624 SPG	416624!
483245	SPG	473245!	485031 SPG	455031!	48612 VIC	320457	48664 VIC	451583!
483246	SPG	413246	48504 TROS	416273!	486125 SPG	416125!	48665 VIC	471648

! Industrial Size/Type * Minor Width Difference = Call 1-800-480-1212 for price and delivery.

Zero Duplication or Recommended		Zero Duplication or Recommended		Zero Duplication or Recommended		Zero Duplication or Recommended		
Mfr. No.	Name	Mfr. No.	Name	Mfr. No.	Name	Mfr. No.	Name	
48666	VIC	471688	487172 SPG	417172	4873LUP JN-MN	417570	48796 C-R	370057A
486664	SPG	416664!	487181 SPG	417181!	4874 C-R	415187	48796 VIC	417343!
486666	SPG	416666	487191 SPG	417191	4874 GR-DV	415187	48798 VIC	455005
48667	VIC	472311!	487196 SPG	417196!	4874 HU-WR	415187	48799 VIC	417134
48668	VIC	471733	487205 SPG	417205!	48741 VIC	450260	487B324 C-R	417205!
48669	VIC	471744!	487207XX TIMKE	48X72X7	48743 VIC	450073	487F324 C-R	417205!
4866B	JN-MN	472029*	48721 VIC	50254=	48744 VIC	450284=	487GA C-R	45187S
48670	VIC	50209	487211 SPG	417211!	48746 VIC	473446	487W3 C-R	455820
48671	VIC	481650	48722 VIC	473016!	48747 VIC	470086	487W314 C-R	417494
48676	VIC	471272!	48724 VIC	474264	48748 VIC	450068	487W316 C-R	417198
48677	VIC	471651	487247 SPG	417247!	48749 VIC	50191	487W328 C-R	417211!
48678	VIC	471705!	48725 C-R	417267	4874G CLARK	415187	487W4 C-R	415187
48679	VIC	471735	487254 SPG	417254	4874N TIMKE	417484	48800 VIC	417486
4867B	JN-MN	417507!	48726 C-R	417267	4874N TIMKE	4874N	488008XX TIMKE	48X80X8
4867B	JN-MN	417507	48726 VIC	473439!	4874RX SPG	4874N	48801 VIC	415995!
4867D5	DIA	417487	487262 SPG	417262!	48750 C-R	417267	48802 VIC	417351!
4867D5	DIA	417487!	48727 VIC	470625*	48750 VIC	50081	48803 VIC	417488!
48680	VIC	450342	48727 VIC	470625!	48751 VIC	450400	48804 VIC	415088
48681	VIC	471762!	487278 SPG	417278	487510XX TIMKE	48X75X10	48804 VIC	415088!
486810XX	TIMKE	48X68X10	4873 C-R	455820	48752 VIC	472164	48805 VIC	55155=
48682	VIC	471762!	48730 TROS	471763	48753 VIC	471141!	48806 VIC	455015
48683	VIC	450044	48731 TROS	474274	48754 VIC	473313	48808 VIC	417490
486857	TIMKE	486857	487314 C-R	417494	48755 VIC	50266	48809 VIC	416292
48686	VIC	450159	487314M1 C-R	417494	48756 VIC	450269	4880LA JN-MN	471255!
486865	SPG	416865!	487316 C-R	417198	48757 VIC	450285	4880LUP JN-MN	471255!
48687	VIC	350974!	487316 SPG	417316!	48759 VIC	450089	48810 VIC	417491
48688	VIC	470712!	487318 C-R	417498	4875N TIMKE	476470	48811 VIC	415085!
486888	SPG	416888!	487318M1 C-R	417498	4875RX SPG	476470	48811 VIC	456648
48689	VIC	471747!	487320 C-R	417355!	48760 VIC	472070	48812 VIC	417191
486891	SPG	416891!	487320M1 C-R	417355!	48761 VIC	473449!	48812 VIC	455165!
486892	SPG	416892!	487324 C-R	417205!	48763 VIC	450090	48813 VIC	417492
4868B	JN-MN	472636!	487324 GR-DV	417205!	48763S TROS	472157	48814 VIC	240435
48690	C-R	370195A	487324 HYST	417205!	48764 VIC	473451!	48816 VIC	240435
48690	VIC	471785!	487324M1 C-R	417205!	48766 VIC	473452	48817 VIC	330385
48691	C-R	370195A	487326 C-R	417504	48766 VIC	714675	48819 VIC	340771
48691	VIC	473428	487326M1 C-R	417504	48767 VIC	473453	4881A HERCU	472636!
486910602	FORD	8316	487328 C-R	417211!	48768 C-R	417269!	4881LA JN-MN	417551
48692	VIC	471764!	487328 GR-DV	417211!	48769 C-R	417269*	48821 VIC	471264
486921	SPG	416921!	487328M1 C-R	417211!	48769 C-R	417269!	48823 VIC	254287!
48693	C-R	416167*	48733 TROS	416345!	48769 VIC	471868	48824 VIC	40208
48693	C-R	416167!	48733 TROS	455033	4876N TIMKE	4876N	48825 VIC	471224!
48694	C-R	416167!	48733 VIC	472299	4876RX SPG	4876N	48827 VIC	472560N
48694	VIC	453063	487330 C-R	417967!	48771 VIC	473240!	48828 VIC	43069S
48695	C-R	416167!	487330M1 C-R	417967!	48772 VIC	410524	48829 VIC	43076S
4869546	GE	481073	48734 VIC	472299	48775 C-R	417269!	48830 VIC	471766
48696	VIC	473205	487343 SPG	417343!	48776 C-R	417269!	48832 VIC	471192
48697	C-R	5010=	487344 SPG	417344!	48776 VIC	473461!	48834 VIC	43078S
48697	VIC	474254!	487344V TIMKE	417344	48776D IH	417316!	48835 VIC	43074S
48697	VIC	474254*	487349 SPG	417349!	48777 VIC	471391!	48836 VIC	40568S
48698	VIC	450173	487350 SPG	417350!	48779 VIC	472492!	48837 VIC	474272!
48699	TROS	473239!	487351 SPG	417351!	48781 VIC	473242	48837 VIC	474272*
486C328	C-R	417211!	487352 SPG	418028	48783 VIC	450311	48838 VIC	40627S=
48700	C-R	416167!	487354 SPG	417354!	487845R SPG	475845	4883964AA CHRYS	800550
487008XX	TIMKE	48X70X8	487355 SPG	417355!	48785 VIC	473471	4883B JN-MN	413478*
487009XX	TIMKE	48X70X9	487356 SPG	417356!	48786 VIC	471272!	4883S SPG	1956
48701	C-R	416167!	487357 SPG	417357	48787 VIC	455136	48841 VIC	412920!
48701	TROS	5452	487358 SPG	417358	48788 VIC	415234!	4884B JN-MN	473461!
48702	VIC	471787!	487359 SPG	417359	48789 AM WH	472439	4884S SPG	224400
48703	VIC	450177	48736 VIC	482253	48789 VIC	55337	48850 VIC	455019!
48704	VIC	470050	487360 SPG	417360	4879 HEIL	415449!	48851 VIC	470165
48704D	IH	80313	487361 SPG	417361	4879 STN-S	415449!	48852 VIC	455024
48705	VIC	473424!	487362 SPG	417362!	48790 AM WH	470088	48853 VIC	417354!
48706	VIC	450124=	487363 SPG	417363	48790 VIC	411394!	48854 VIC	417493
4870S	SPG	710091	487364 SPG	417364	487908 GMC	332062	48855 VIC	455026
4870SCR	NATL	710091	487365 SPG	417365	48791 VIC	411394!	48856 VIC	415711
48710	VIC	473421	487366 SPG	417366!	48792 C-R	370057A	48857 VIC	417497
48711	VIC	473212!	48737 VIC	451469	48792 VIC	416444	48858 VIC	417498
48713	VIC	473436	48738 TROS	471570!	48793 VIC	416271!	48859 VIC	417498
48715	VIC	450054	48738 VIC	473010	48794 C-R	370007A	4885B JN-MN	473313
487158	SPG	417158!	48739 VIC	474274	48794 VIC	470605!	4885S SPG	710092
48716	VIC	470774!	487397V TIMKE	487397V	487945 TIMKE	487945	48860 VIC	415937!
487171	SPG	417171!	4873LA JN-MN	417570	48795 VIC	417079	48861 VIC	417501

! Industrial Size/Type * Minor Width Difference = Call 1-800-480-1212 for price and delivery.

Zero Duplication or Recommended		Zero Duplication or Recommended		Zero Duplication or Recommended		Zero Duplication or Recommended					
Mfr. No.	Name	Mfr. No.	Name	Mfr. No.	Name	Mfr. No.	Name				
48863	VIC	55030	48924	VIC	417269!	49002	VIC	5246	49128	TROS	5M497
48864	VIC	415379!	48925	VIC	417539!	4901	TIMKE	4901	49128	VIC	474281!
48864	VIC	415379	48926	VIC	417273	49011	VIC	473450!	4912B	JN-MN	415442!
48865	VIC	417205!	48927	VIC	415645!	4901LA	JN-MN	455509	4912B	JN-MN	55442
48866	VIC	415150!	48927	VIC	455104	4902	KELSE	200354	4913	C-R	340847
48867	VIC	455178 =	48929	VIC	417556	49022	TROS	5M81	4913	C-R	43095S!*
48868	VIC	417504	48931	VIC	417562	49024	VIC	416738!	4913	LABEQ	473236!
48869	VIC	455032!	48932	VIC	417563	49025	VIC	473367!	49130	VIC	473442!
48870	C-R	370005A	48933	VIC	417298	49026	VIC	415007	49133	VIC	472287!
48870	VIC	417210!	48934	VIC	417596	49027	VIC	416921!	49136	TROS	5M544
48871	VIC	417366!	48935	VIC	455584	49029	TROS	5M89	49136	VIC	6356
48872	VIC	417967!	48935K	IH	50081	49029	VIC	450044	49137	TROS	5M559
48873	VIC	455191	48936	VIC	416077	4902LA	JN-MN	417546!	49138	TROS	5M643
48874	VIC	417357	48937	VIC	415116	4902LUP	JN-MN	417546!	4914	LABEQ	415991
48874	VIC	455192!	48938	VIC	455117	49035	VIC	473239	4914	LABEQ	455146!
48875	VIC	417357	48939	VIC	415551	49039	VIC	7600S	49140	VIC	471866!
48875	VIC	455192!	48940	VIC	417598	4903CA	SPG	710158	49141	VIC	471341!
48876	VIC	415036	48941	VIC	455406!	4904	TIMKE	4904	49143	VIC	470950!
48877	VIC	417509	48942	VIC	455121	49041	VIC	471750!	49143	VIC	6241S
48878	VIC	55193 =	48943	VIC	417602!	49042	CATER	470590	49144	VIC	450111
48879	VIC	455037	48944	VIC	455123	49042	VIC	471354!	49146	VIC	471868
48880	C-R	455614	48946	VIC	417604	49046	VIC	55367 =	49149	VIC	473467
48882	C-R	370005A	48947	VIC	417567	49050	C-R	370003A	49149	VIC	473467!
48883	C-R	7866S	48948	VIC	415128	49050	C-R	380003A	49150	VIC	473228!
48883	VIC	415142	48949	VIC	415090	490576C92	IH	370124A	49150SF	VIC	473228!
48884	C-R	370121A	48950	VIC	55218 =	490577C92	IH	370131A	49153	SPICE	714675
48884	VIC	417512	48951	VIC	415219	4905CA	SPG	710146	49153	TROS	5M867
48885	VIC	455203	48953	VIC	417606	49061	VIC	470380!	49160	TROS	471192
48886	C-R	370057A	48954	VIC	55222 =	49070	TROS	5M289	49161	VIC	5778
48886	C-R	380003A	48954D	IH	472287!	49071	TROS	5M293	49162	TROS	6489
48886	VIC	455056	48955	VIC	55223 =	49071	VIC	40337S	49163	VIC	42127S
48887	VIC	455194	48956	VIC	55224 =	4907118	ALLCH	416297	49164	VIC	473464!
48888	HYST	330385!	48956D	IH	471649!	49075	VIC	471827	49164	VIC	473464
48888	VIC	417513	48957	VIC	417020	49081	VIC	473471	491656C1	IH	3292
48889	VIC	417514	48958	VIC	417570	49082	TROS	5M356	49168	VIC	415458!
48890	VIC	417515	48959	VIC	415227!	49086	VIC	470954!	49170	VIC	415007
48891	VIC	472157	48960	TROS	1020	49089	VIC	411253!	49171	TROS	5MR71
48892	VIC	415196!	48961	VIC	415482	4909	C-R	342805	49171	VIC	470334!
48893	VIC	416891!	48962	VIC	415076	49092	VIC	481864	49172	TROS	5MR1008
48894	VIC	415045!	48963	VIC	417608	49094	TROS	5M403	49173	TROS	5MR1009
48895	VIC	416137	48967	VIC	472193*	49095	TROS	5M406 =	49173	VIC	473473
48896	VIC	455197N	48967	VIC	472193!	49098	VIC	450593!	49174	VIC	417073
48897	VIC	417520	48968	VIC	330385	49098	VIC	450593	49176	TROS	5MR1300
48898	VIC	455026	4896902	ALLCH	411376!	49099	VIC	450084!	49176	VIC	5756
48899	VIC	417238	48971	VIC	415064	4910	C-R	342805	49177	TROS	5MR1301
488H320M1	C-R	417355!	4897297AA	CHRY	713103	49101	VIC	414045!	49177	VIC	471795
488H320M1	C-R	485497	4898	TIMKE	4898	49103	TROS	5M445	49177D	IH	472439
488WL316-M1	C-R	417196!*	4899	TIMKE	4899	49105	VIC	5711	49178	VIC	40769S
4890	MID	240735	48X62X8	NATL	1188	49106	VIC	472394	49180	VIC	450073
489010XX	TIMKE	48X90X10	48X62X8SB	TRSCM	1188	49109	VIC	450666	49182	VIC	415960
48903	VIC	415047	48X62X8SC	TRSCM	48X62X8!	4910B	JN-MN	455356	49184	VIC	410190
48904	VIC	416149	48X62X8TC	TRSCM	48X62X8!	4911	C-R	342805	49187	VIC	471316
48905	VIC	415060	48X63X11SM	TRSCM	1969	4911	LABEQ	471760	49189	VIC	473215!
48905	VIC	455060	48X63X9SC	TRSCM	48X63X9!	49110	VIC	40154S	4918LA	JN-MN	471554!
48906	VIC	55199 =	48X63X9TC	TRSCM	48X63X9!	4911035	WOOL	55441 =	49190	VIC	5790 =
48907	VIC	417525	48X65X10SC	TRSCM	48X65X10!	49111	VIC	471570!	49191	VIC	450065
48908	VIC	417526	48X68X10SC	TRSCM	48X68X10!	49112	VIC	473444	49193	TROS	415196!
48909	VIC	415351!	48X68X10TC	TRSCM	48X68X10!	49113	SUL	472924!	49195	VIC	473440
48910	VIC	416153!	48X70X8	ISP	48X70X8	49113	VIC	472924!	49197	VIC	473450
48911	VIC	416154!	48X70X9SC	TRSCM	48X70X9!	49114	VIC	474265	49198	VIC	415001!
48912	VIC	55539 =	48X70X9TC	TRSCM	48X70X9!	49114-56B00	SUZUK	221730	49199	VIC	472636!
48913	VIC	417533	48X72X7SC	TRSCM	48X72X7!	49114-56B20	SUZUK	221730	4919B	JN-MN	474265
48914	VIC	417534	48X72X7TC	TRSCM	1208	49114-60A00	SUZUK	221730	49202	VIC	240023
48915	VIC	457585	48X72X7TC	TRSCM	48X72X7!	49116	TROS	5M466	49203	VIC	471571
48916	VIC	416158	48X75X10SC	TRSCM	48X75X10	4911630	ALLCH	473459	49206	VIC	413469!
48917	VIC	415064	48X75X10TC	TRSCM	48X75X10	4911B	JN-MN	455032!	49208	C-R	710405
48918	VIC	417535	48X80X8SC	TRSCM	48X80X8	4912	C-R	340847!	49208	VIC	455280
48919	VIC	417536	48X80X8TC	TRSCM	48X80X8	4912	C-R	8792S*	49209	VIC	6241S
48920	VIC	416163	48X90X10SC	TRSCM	48X90X10	4912	LABEQ	415449!	49210	C-R	125X150X12!
48921	VIC	456890	48X90X10TC	TRSCM	48X90X10	49120	TROS	473235	49210	C-R	231250
48922	VIC	416167!	49 UNIVE		474277	49122	VIC	473441	49211	C-R	125X150X12V
48923	VIC	417267	49001	VIC	5070	49124	VIC	473450!	49211	VIC	473214*

! Industrial Size/Type * Minor Width Difference = Call 1-800-480-1212 for price and delivery.

NUMERICAL

Mfr. No.	Name	Zero Duplication or Recommended Industrial	Mfr. No.	Name	Zero Duplication or Recommended Industrial	Mfr. No.	Name	Zero Duplication or Recommended Industrial	Mfr. No.	Name	Zero Duplication or Recommended Industrial
49211	VIC	473214!	49290	VIC	415001!	49372	VIC	473229!	49442	VIC	472394
49212	VIC	470354	49291	VIC	417344!	49373	VIC	474272!	49444	VIC	470530!
49213	C-R	125X150X12!	49292	VIC	50631	49374	VIC	450803	49445	VIC	471689!
49213	C-R	231250	49293	VIC	471442!	49375	SSR	1977	49446	VIC	415001!
49214	C-R	125X150X12V	49294	VIC	471554!	49376	VIC	50468	49447	VIC	40576S
49214	VIC	473450!	49295	VIC	471224!	49378	VIC	415483!	49448	VIC	471413
49215	C-R	125X150X12!	49296	VIC	473419	49379	VIC	473179	49449	VIC	353141!
49215	VIC	472179	49297	VIC	470334!	4938	C-R	330699	4945	C-R	471442!
49216	VIC	455336	49298	VIC	415988	4938	C-R	342613!*	49450	VIC	415449!
49218	VIC	43071S	49299	SPICE	710453	49380	VERSA	416332!	49451	VIC	472636!
49219	VIC	471141!	49300	C-R	417273	49380	VIC	5921	49452	VIC	416654
4921B	JN-MN	471554!	49300	VIC	473211!	49382	VIC	50075 =	49453	VIC	415960!
49222	VIC	470898	49301	C-R	417273	49383	VIC	473467!	49454	VIC	470954
49223	VIC	472409!	49301	VIC	50468	49385	VIC	470606!	49457	VIC	471787!
49224	VIC	472185!	49302	VIC	470682	49388	VIC	5924	49458	VIC	471553!
49225	VIC	414045!	49304	VIC	473235!	49389	VIC	416738!	49459	C-R	417540
49226	VIC	6064	49305	VIC	472185!	49389	VIC	450096	49459	VIC	472164!
4923	C-R	312196!	49306	VIC	473225!	4939	C-R	330699!	4946	C-R	471442!
49230	VIC	7216	49307	VIC	472164!	4939	SPG	472419	49460	C-R	417540
492300C1	IH	446927!	4931	C-R	330699!*	49390	VIC	455151	49460	VIC	473227!
49232	VIC	450274	49310	VIC	50402	49391	VIC	415041	49462	VIC	6090S
492324L	C-R	55329 =	49311	VIC	411500	49395	VIC	472439	49463	VIC	417621!
49233	VIC	473228!	49313	VIC	472258	49397	VIC	411245!	49466	VIC	42763
49234	ALLCH	471570!	49314	VIC	470898	49398	VIC	472810!	49468	VIC	240007 =
49234	VIC	473179!	49315	VIC	470530!	49399	VIC	470898	49469	VIC	472015!
49235	VIC	5070	49316	VIC	417316!	4940	C-R	330699	49470	VIC	412943
49236	VIC	6064	49317	VIC	410308!	49400	VIC	473010	49472	VIC	417191
49237	VIC	5836	49317C1	VIC	410308	49401	VIC	471649!	49472	VIC	45658S
49238	VIC	473462	49318	VIC	471827	49402	VIC	472012	49474	VIC	50026
49239	VIC	471442!	49319	VIC	472560N!	49403	VIC	471255!	49475	VIC	474253!
49240	C-R	125X155X12	49320	VIC	473458!	49407	VIC	450129	49475	VIC	474253 *
49240	VIC	471787	49321	VIC	471103!	49407	VIC	472826!	49476	VIC	472572!
49242	VIC	415449!	49324	VIC	5877	49408	VIC	473234	49477	VIC	473016!
49243	C-R	125X155X15*	49324C1	VIC	5877	4940LA	JN-MN	415995!	49478	VIC	473243
49244	C-R	7886S	49328	VIC	9845	4940LUP	JN-MN	415995!	49479	VIC	450313
49247	VIC	471827	493287	WHITE	415351!	49410	VIC	8139	49479C1	VIC	450313
49248	VIC	40369S	493291	TIMKE	493291	494117	TIMKE	494117	49480	VIC	412871!
4925	C-R	342613	49330	VIC	416654!	494117SSR	SPG	42X56X7!	49481	VIC	450039
4925	EATON	412871!	49331	VIC	470712	49412	VIC	6064	49482	VIC	471264
4925	FULLE	412871!	49336	VIC	471192	494122	TIMKE	494122	49483	VIC	472179 *
49250	C-R	417539!	49337	VIC	470088	494123	TIMKE	494123	49483	VIC	472179!
49251	C-R	417539!	49338	VIC	471141!	494123CA	SPG	494123	49483	WABCO	240009
49252	VIC	450765!	4934	TIMKE	4934	49413	VIC	470625!	49484	VIC	411376!
49257	VIC	471103!	49340	VIC	472924!	49414	VIC	472475	49485	VIC	450040
49258	VIC	40286	49341	VIC	450165	49415	VIC	471829	49486	VIC	41075S
49259	VIC	40370S	49341	VIC	471801!	49417	VIC	470774!	49487	VIC	471760
49263	VIC	410496!	49342	VIC	415984!	49418	VIC	472354!	49488	VIC	471795
49264S	TROS	416271!	49344	VIC	472397!	4941LA	JN-MN	415991	49489	VIC	415302
49268	C-R	125X160X12!	49346	VIC	5957S	4941LA	JN-MN	455146!	49491	VIC	5865
49268	VIC	455008	49347	VIC	471765!	4941LUP	JN-MN	415991	49492	VIC	417485
49269	VIC	410987!	49348	VIC	5951	4941LUP	JN-MN	455146!	49494	VIC	3210
49270	C-R	125X160X12	493482	WHITE	428RR	4941V	TIMKE	4941V	49495	VIC	493291
49270	VIC	473447	49349	VIC	455151	4941VD	SPG	4941V	49497	VIC	471267
492702	NATL	4148	49350	VIC	473245!	49420	VIC	471619!	49499	VIC	417344!
49271	VIC	410694!	49351	VIC	473467!	49421	VIC	410102	4950	C-R	471442
49272	VIC	473232	49352	VIC	471271!	49422	VIC	473231!	4950	TIMKE	4950
49273	VIC	473238	493524	TIMKE	493524	49424	VIC	473435	49501	VIC	418028
49274	VIC	416921!	49353	VIC	240319	49426	VIC	417485	49501	VIC	455137!
49276	VIC	412119!	49354	VIC	457291	49426C1	VIC	417485	49503	VIC	473238
49277	VIC	415995!	49355	VIC	473197	49427	VIC	46997S	49504	VIC	418028
49278	VIC	473427	49356	VIC	40504S =	49428	VIC	411330!	49504	VIC	455137!
49279	VIC	416738!	49358	VIC	471231!	49429	VIC	415234	495045	WHITE	470004!
49279	VIC	450096	49359	VIC	474278!	49430	VIC	473213!	49505	VIC	471766!
49280	VIC	470530!	49359	VIC	6859S	49431	VIC	450467	49507	VIC	450335
492805	WHITE	415449!	49360	VIC	471466!	49432	VIC	472016	49508	VIC	412119
49282	VIC	473473	49361	VIC	417158!	49433	VIC	450307	49509	VIC	474276
49283	VIC	472144!	49362	VIC	480210!	49434	VIC	471646!	4950D5	DIA	476574N
49285	VIC	473438	49363	VIC	473236!	49435	VIC	416273!	4951	C-R	240119
49287	VIC	473426	493637	TIMKE	493637	49438	VIC	473463	49510	VIC	323138!
49288	VIC	471466!	49364	VIC	5756	49439	VIC	473457!	49511	VIC	42352S
49289	VIC	476838!	49368	VIC	240414	4943B	JN-MN	473420	49512	VIC	410737!
49290	C-R	125X170X15*	49369	VIC	6064	49440	VIC	472394	49514	VIC	471820

! Industrial Size/Type * Minor Width Difference = Call 1-800-480-1212 for price and delivery.

Zero Duplication or Recommended Industrial		Zero Duplication or Recommended Industrial		Zero Duplication or Recommended Industrial		Zero Duplication or Recommended Industrial		
Mfr. No.	Name	Mfr. No.	Name	Mfr. No.	Name	Mfr. No.	Name	
4988LA	JN-MN	471652*	49934	C-R	415021	499W316	C-R	415027
4989	C-R	240119	49934	VIC	5405\$	499W316	C-R	415027!
4989	TIMKE	4989	49934M1	C-R	415021*	499W316-M1	C-R	415027!
49891	VIC	416070	49935	C-R	39801	499W316-M1	C-R	415027
49893	VIC	7208S	49936	C-R	455022*	499W320	C-R	416125!*
49894	VIC	415394	49936M1	C-R	455022*	499W324	C-R	416339
49896	VIC	415137!	49937	VIC	415351!	499W324	C-R	455031!
49896	VIC	418028	49938	C-R	415725!	499W34	C-R	415021
49899	VIC	55646=	49938K	IH	471747!	499W36	C-R	455022*
498B4	C-R	415035*	49938M1	C-R	415023	499W38	C-R	415023
498BM4	C-R	415035*	49939	C-R	415725!	499W38-M1	C-R	415023
498BM4-T8	C-R	415035	49939	VIC	415741	49KH257	MACK	713750
498HMS4-T8	C-R	415035!	4993M1	C-R	455019!*	4A-0412	WHITE	417563
498HMS4-T8	C-R	415035	4994	HU-WR	415035	4A143	FAIRB	471571
4990	C-R	471442!	49940	C-R	415725!	4A5X328	FWD	5M466
4990	TIMKE	4990	49941	C-R	415725!	4AK-084	WHITE	416654
49901	VIC	416892	49941	VIC	417506	4AR72510121	IH	473466
49902	VIC	417518	49943	C-R	415725!	4B-1241	WHITE	471766!
49904	VIC	6358	49943	VIC	416125!	4B2225	CATER	471137
49905	VIC	6465	49944887	ALLCH	416130!	4B2396	CATER	473460
49909	VIC	415697!	49947	VIC	6638S	4B2396	WESTR	473460
49909	VIC	455547	49948	VIC	6635S	4B3421	CATER	472572!
4990B	JN-MN	55532=	49949	VIC	417353!	4B3675	CATER	472179
49910	VIC	412473!	4994M1	C-R	415035	4B4371	CATER	415027!
49911	VIC	416339	4995	C-R	471442	4B4371	CATER	415027
49911	VIC	455031!	49952	VIC	6754S=	4B4529	CATER	417621!
49912	VIC	6270	49953	VIC	370002A	4B4865	CATER	473016!
49913	VIC	455402=	49957	C-R	417584	4B4967	CATER	415995!
49915	VIC	416130!	49958	C-R	417584	4B5171	CATER	7208S
49916D	IH	417351!	49958	VIC	416297	4B5432	CATER	450536
49917	VIC	415058	49958A	OSHKO	417247!	4B5432	CATER	471535!
4992	C-R	471442!	49959	VIC	417160	4B8024	CATER	417344!
49920	C-R	3492V	49960	C-R	417584	4B8024	WESTR	417344!
49920	VIC	456618	49961	VIC	6592S=	4B8396	CATER	415036
49921	C-R	5665	49962	VIC	471267!	4B9371	CATER	415027!
49922	VIC	55367=	49963	VIC	370002A	4B9371	CATER	415027
49926	VIC	6603*=	49965	C-R	416865!	4B9372	CATER	416339
49927	C-R	39801	49966	C-R	416865!	4B9372	CATER	455031!
49927	VIC	6245S=	49966	VIC	471763	4BL-0412	WHITE	370036A
49928	C-R	415725!	49967	VIC	327303!	4BL-0412	WHITE	370349A
49929	C-R	415725!	49968	VIC	415064	4BL084	WHITE	470059
4993	C-R	455019!*	49969	VIC	5313\$	4BL084	WHITE	470380!
49931	DANA	100552	4996B	JN-MN	471354!*	4BM-0412	WHITE	5751
499310	C-R	455024*	49971	VIC	415284	4BM-0470	WHITE	473215!
499310M1	C-R	455024*	49971906	ALLCH	471554!	4BM-084	WHITE	473215!
499312	C-R	415025*	4997LA	JN-MN	415138!*	4D1608	CATER	450593!
499312M1	C-R	417191	49980	C-R	416865!	4D2657	CATER	471267!
499312M1	C-R	455165!	49981	C-R	416865!	4D3034	CATER	455117
499314	C-R	455026*	49981	VIC	410987=	4D3587	CATER	416339
499314M1	C-R	455026*	49984	C-R	416865!	4D3587	CATER	455031!
499316	C-R	415027!	49985	C-R	416865!	4D3881	CATER	456111=
499316	C-R	415027	49990	C-R	416865	4D6592	CATER	472164!
499316M1	C-R	415027	49991	C-R	416865=	4D6996	CATER	415227!
499318	C-R	55028*	49993	VIC	345035	4D6996	CATER	417756
499318M1	C-R	55028*	49994	HYST	472951	4D8576	CATER	471271!
49932	C-R	455020	49994	HYST	474252	4DG-0383	WHITE	473367
49932	VIC	5401\$	49995	C-R	416865!	4DG-0383	WHITE	473367!
499320	C-R	416125!*	49995	VIC	357302	4DG-0395	WHITE	473449
499322	C-R	55030*	49995	VIC	415991	4DK-0644	WHITE	470088
499322M1	C-R	55030*	49996	VIC	415991	4DKB-0644	WHITE	473238
499324	C-R	416339	49996	VIC	455146!	4E12560	HU-WR	471341!
499324	C-R	455031!	49997	C-R	416865!	4E12564	HU-WR	474278!
499324M1	C-R	416339	49998	C-R	416865!*	4E13392	HU-WR	415294!
499324M1	C-R	455031!	49998	VIC	417355!	4E13457	HU-WR	416345!
499326	C-R	455032!*	49998	VIC	485497	4E13457	HU-WR	455033
499328	C-R	416345!	49999	VIC	6643S	4E13759	HU-WR	417343!
499328	C-R	455033	499B4	C-R	415035*	4E13760	HU-WR	415036
499328M1	C-R	416345!	499BM4	C-R	415035*	4E13872	HU-WR	415991
499328M1	C-R	455033	499W3	C-R	455019!*	4E13872	HU-WR	455146!
49933	VIC	5403\$	499W310	C-R	455024*	4E14664	HU-WR	471341!
499330	C-R	415034!	499W312	C-R	415025*	4E14766	HU-WR	474278!
499330M1	C-R	415034!	499W314	C-R	455026*	4E14999	HU-WR	450040
499330M1	C-R	415034!						

! Industrial Size/Type * Minor Width Difference \$F-M Number Is Part Of A Kit = Call 1-800-480-1212 for price and delivery.

Zero Duplication or Recommended		Zero Duplication or Recommended		Zero Duplication or Recommended		Zero Duplication or Recommended		
Mfr. No.	Name	Mfr. No.	Name	Mfr. No.	Name	Mfr. No.	Name	
4K5654	CATER	442110=	5-003-087-028 RENA	712118	50-101-107P PUL	370006A	50-302218-00 GOETZ	48X68X10
4K7461	CATER	416888!	5-003-087-031 RENA	712116	50-101-107R PUL	370012A	50-302248-00 GOETZ	28X42X8
4K7462	CATER	416345!	5-003-087-032 RENA	712115	50-101-107T PUL	370019A	50-302294-00 GOETZ	50X72X8
4K7462	CATER	455033	5-3002 IPS	58X72X8	50-101-107U TRMBL	370021A	50-302323-00 GOETZ	50X80X8
4K7463	CATER	417350!	5-3003 IPS	1195	50-101-107V PUL	370023A	50-302436-00 GOETZ	55X72X8
4K9610	CATER	415995!	5-3014 IPS	1949	50-101-107W TRMBL	370030A	50-302481-00 GOETZ	55X85X10
4L4360	CATER	455121	5-3015 IPS	1196	50-101-16 TRMBL	370036A	50-302483-00 GOETZ	55X90X13
4L6942	CATER	471224!	5-3016 IPS	494122	50-101-16 TRMBL	370349A	50-302581-10 GOETZ	80X105X13
4L7019	CATER	50199S!	5-3017 IPS	474134	50-101-16D TRMBL	370036A	50-302617-00 GOETZ	60X85X8
4L7019	CATER	6863S!	5-3023 IPS	1183	50-101-16D TRMBL	370349A	50-302643-00 GOETZ	60X90X10
4L7248	CATER	415984!	5-3025 IPS	1188	50-101-23 TRMBL	370036A	50-302666-10 GOETZ	62X85X8
4L7336	CATER	415437	5-3028 IPS	2002	50-101-23 TRMBL	370349A	50-302706-10 GOETZ	64X80X8
4L9021	CATER	351518 *=	5-3029 IPS	1884	50-101-23D TRMBL	370036A	50-302714-00 GOETZ	65X80X8
4L9822	CATER	476470 =	5-3030 IPS	1977	50-101-23D TRMBL	370349A	50-302727-00 GOETZ	60X75X8
4LD482	WITTE	411245!	5-3031 IPS	1884	50-101-3 TRMBL	370036A	50-302838-00 GOETZ	6X16X7
4M2343	CATER	473229	5-3036 IPS	1999	50-101-3 TRMBL	370349A	50-302863-00 GOETZ	70X110X10
4M2444	CATER	415213N	5-3038 IPS	472213	50-101-54 TRMBL	370065A	50-302869-00 GOETZ	72X90X10
4M5229	CATER	470565 =	5-3039 IPS	223535	50-101-54 TRMBL	376590A	50-302907-00 GOETZ	75X90X8
4M9148	CATER	471766!	5-3041 IPS	1992	50-101-80A TRMBL	416158	50-302915-00 GOETZ	75X95X10
4M9149	CATER	473229	5-3045 IPS	1192	50-101-80B TRMBL	416158	50-302928-00 GOETZ	55X70X8
4N0636	CATER	471224!	5-3047 IPS	1952	50-101-80C TRMBL	416158	50-302960-00 GOETZ	75X105X13
4N0848	CATER	J1842	5-3048 IPS	1943	50-101-80D TRMBL	416158	50-303038-00 GOETZ	80X110X10
4N1584	CATER	471649!	5-3092 IPS	224015	50-101-80F TRMBL	416158	50-303065-00 GOETZ	82X105X13
4N636	CATER	471224!	5-3093 IPS	1950	50-101-94 TRMBL	416158	50-303096-00 GOETZ	55X75X10
4N848	CATER	J1842	5-3099 IPS	480630!	50-101-95 PUL	370037A	50-303114-00 GOETZ	85X115X13
4NFG-0395	WHITE	415001!	5-3100 IPS	1195	50-101-96 TRMBL	416158	50-303148-00 GOETZ	90X110X12
4NFG-0395A	WHITE	415001!	5-3103 IPS	1165	50-101-C TRMBL	416158	50-303158-00 GOETZ	85X105X13
4NK-0730	WHITE	470530!	5-3104 IPS	1195	50-101B TRMBL	416158	50-303204-00 GOETZ	95X115X12
4NK-084	WHITE	415960!	5-3108 IPS	1967	50-300035-00 GOETZ	7X16X7	50-303208-00 GOETZ	95X120X12
4P1142	ADAMS	416921!	5-3109 IPS	1209	50-300076-00 GOETZ	102X130X13	50-303253-00 GOETZ	100X120X10
4P1355	ADAMS	471137	5-3111 IPS	1984	50-300174-10 GOETZ	48X65X10	50-303290-00 GOETZ	100X130X12
4P1355	WABCO	471137	5-3113 IPS	482126	50-300249-00 GOETZ	12X32X7	50-303370-00 GOETZ	10X19X7
4P1569	ADAMS	450593!	5-3116 IPS	444116	50-300266-00 GOETZ	13X22X6	50-303449-00 GOETZ	120X150X12
4P1569	LETN	450593!	5-3127 IPS	225540	50-300288-00 GOETZ	14X24X7	50-303464-00 GOETZ	120X160X12
4P2524	ADAMS	471744!	5-3142 IPS	5696	50-300324-00 GOETZ	15X24X7	50-303477-00 GOETZ	125X150X12
4P2524	LETN	471744!	5-4004 IPS	1962	50-300354-00 GOETZ	15X30X7	50-303483-00 GOETZ	70X90X10
4P2524	WABCO	471744!	5-4009 IPS	472164!	50-300445-00 GOETZ	16X35X7	50-303495-00 GOETZ	45X85X10
4P2723	CATER	39887	5-4014 IPS	473812	50-300469-00 GOETZ	17X28X7	50-303571-00 GOETZ	140X160X12
4P2734	CATER	39888	5-4015 IPS	473179!	50-300513-00 GOETZ	17X40X7	50-303572-00 GOETZ	140X160X13
4R15788	C-R	5778	5-4030 IPS	334111	50-300535-00 GOETZ	18X30X7	50-303596-10 GOETZ	145X170X12
4R1978	GMC	415683	5-4032 IPS	1167	50-300560-00 GOETZ	19X32X7	50-303642-00 GOETZ	17X35X7
4R26	CATER	416273!	5-4033 IPS	1128	50-300623-00 GOETZ	20X32X7	50-303686-00 GOETZ	170X200X15
4R32	CATER	415379!	5-4036 IPS	223014	50-300633-00 GOETZ	20X35X7	50-303719-00 GOETZ	190X220X16
4R32	CATER	415379!	5-4041 IPS	473823	50-300655-10 GOETZ	20X37X7	50-303782-00 GOETZ	240X270X15
4R35	CATER	415389 =	5-4044 IPS	3395!	50-300693-10 GOETZ	40X55X8	50-303829-00 GOETZ	45X60X7
4R526	CATER	471554!	5-4047 IPS	494117	50-300698-00 GOETZ	20X47X7	50-303903-00 GOETZ	150X180X12
4R8831	CATER	39882	5-4056 IPS	494117	50-300749-00 GOETZ	22X35X7	50-303991-00 GOETZ	30X42X7
4R9	CATER	416257H =	5-4064 IPS	473234!	50-300804-10 GOETZ	12X25X7	50-304033-00 GOETZ	8X16X7
4S6752	CATER	2791	5-4087 IPS	1906	50-300933-00 GOETZ	25X42X6	50-304101-00 GOETZ	27X37X7
4S7756	CATER	471442!	5-4093 IPS	224015	50-300995-00 GOETZ	25X52X10	50-304115-00 GOETZ	95X110X10
4S9006	CATER	473238	5-4099 IPS	1960	50-301064-00 GOETZ	8X14X4 *	50-304126-00 GOETZ	38X55X7 *
4SC28CR	DEMPC	340927	5-4100 IPS	1956	50-301078-00 GOETZ	28X40X7	50-304140-00 GOETZ	160X190X15
4SK-0730	WHITE	472636!	5-4101 IPS	1959	50-301120-00 GOETZ	28X52X7	50-304240-00 GOETZ	40X58X8
4SK-08	WHITE	416654	5-4122 IPS	1962	50-301196-00 GOETZ	30X47X7	50-304251-10 GOETZ	85X105X10
4SK-084	WHITE	416654	5-4128 IPS	473238!	50-301320-00 GOETZ	32X45X7	50-304279-00 GOETZ	55X80X8
4TCP-084	WHITE	416282	5-4129 IPS	473238!	50-301349-00 GOETZ	32X52X7	50-304334-00 GOETZ	65X90X13
4U-01430	WHITE	416654	5-X265 ROCKW	5M497	50-301398-00 GOETZ	28X47X7	50-304370-00 GOETZ	58X75X11
4UG-0730	WHITE	471141!	5-X328 KEN	5M466	50-301534-00 GOETZ	35X56X10	50-304381-00 GOETZ	100X125X12
4UG-084	WHITE	417487!	5-X328 ROCKW	5M466	50-301538-00 GOETZ	35X58X10 *	50-304413-00 GOETZ	58X80X8
4UG-084	WHITE	417487	50-101-107A TRMBL	370036A	50-301640-00 GOETZ	38X50X7	50-304478-00 GOETZ	40X55X6
4UK-084	WHITE	415960!	50-101-107B PUL	370065A	50-301647-00 GOETZ	38X52X7	50-304488-00 GOETZ	25X52X7
4W0452	CATER	39885	50-101-107C PUL	370338A	50-301696-00 GOETZ	30X45X8	50-304514-00 GOETZ	12X28X7
4W2606	CATER	39900	50-101-107D PUL	376590A	50-301783-00 GOETZ	40X56X10	50-304524-00 GOETZ	110X130X12
4W2607	CATER	39899	50-101-107E PUL	370003A	50-301814-00 GOETZ	40X62X12	50-304592-00 GOETZ	50X65X8
4W8133	CATER	39890	50-101-107F PUL	370007A	50-301835-10 GOETZ	40X65X10	50-304604-00 GOETZ	40X90X8 *
4W8134	CATER	39889	50-101-107G PUL	418028	50-301860-00 GOETZ	40X80X10 *	50-304714-00 GOETZ	90X120X12
4X5763	CATER	455191	50-101-107H PUL	370020A	50-301891-00 GOETZ	42X55X7	50-304747-00 GOETZ	15X35X7
4ZDK-0395	WHITE	472924!	50-101-107J PUL	416892	50-301952-00 GOETZ	42X72X10	50-304820-00 GOETZ	12X30X7
5-000-684-699	RENAU	712113	50-101-107K PUL	370015A	50-302034-00 GOETZ	20X40X10	50-304838-00 GOETZ	150X180X15
5-000-684-700	RENAU	712112	50-101-107L PUL	370107A	50-302084-00 GOETZ	45X65X8	50-304879-00 GOETZ	75X100X10
5-003-087-026	RENAU	712114	50-101-107M PUL	370349A	50-302158-00 GOETZ	46X65X7 *	50-304883-00 GOETZ	40X60X10
5-003-087-027	RENAU	712119	50-101-107N PUL	370001A	50-302183-00 GOETZ	145X175X15	50-304890-00 GOETZ	16X30X7

! Industrial Size/Type * Minor Width Difference = Call 1-800-480-1212 for price and delivery.

NUMERICAL

Zero Duplication or Recommended Industrial		Zero Duplication or Recommended Industrial		Zero Duplication or Recommended Industrial		Zero Duplication or Recommended Industrial	
Mfr. No.	Name	Mfr. No.	Name	Mfr. No.	Name	Mfr. No.	Name
50-305087-00	GOETZ 68X90X10	50-S476 LETN	471344	500097 C-R	481537	500223 FT-WA	471103!
50-305099-00	GOETZ 60X80X8	500 UNIVE	416865!	5000978A WHITE	J1138	500226 C-R	471765
50-305247-00	GOETZ 8X14X4	5000 TIMKE	5000	500098 C-R	471137	500226 GMC	470954!
50-305276-00	GOETZ 52X68X8	50000 C-R	416865!	50009S SPG	471466!	500227 C-R	471413
50-305461-00	GOETZ 40X62X7	50000 CHRYS	471466!	5001 C-R	1041	500228 C-R	471750
50-305478-00	GOETZ 148X170X15	500007 C-R	473234!	5001 TIMKE	5001	500229 C-R	471750
50-305521-00	GOETZ 50X90X10	500007 CHRYS	471466!	5001011 WHITE	415053H=	50023 SPG	471255!
50-305535-00	GOETZ 85X110X12	500007 GMC	471466!	500117701 WHITE	471570!	500230 C-R	471766!
50-305538-00	GOETZ 32X47X7	50001 C-R	416865!	5001177B WHITE	471570!	500232 C-R	473214
50-305650-00	GOETZ 12X22X7	500010 C-R	240462	500118001 WHITE	472164!	500233 C-R	204013
50-305827-00	GOETZ 30X50X8	500010901 EATON	411245!	5001180B WHITE	472164!	500234 C-R	470380!
50-305940-50	GOETZ 28X38X7	500010901 Y-T	411245!	500118100 EATON	8636=	500237 C-R	472299
50-305948-00	GOETZ 40X58X10	500010902 EATON	472439	500122 GMC	5877	500238 CHRYS	471357
50-306056-00	GOETZ 45X60X10	500010902 Y-T	472439	500131 C-R	471267!	500238 CHRYS	455192!
50-306111-00	GOETZ 65X85X8	500011 C-R	457291	500134 C-R	472560N!	500239 C-R	472185!
50-306126-00	GOETZ 8X18X5	500012 CONTI	471554!	500134 SELAS	5118	50023S SPG	471255!
50-306195-00	GOETZ 25X42X8	500017 C-R	471413	500135 C-R	471498	500241 C-R	6930
50-306228-00	GOETZ 65X85X10	50002 C-R	416865!	500135 MACK	472016	500241 CHRYS	471567!
50-306264-00	GOETZ 35X52X7	500022 C-R	40401	500136 C-R	471649!	500241 CONTI	471567!
50-306315-00	GOETZ 42X56X7	500022 GMC	471689!	5001363A WHITE	J1103	50025 C-R	416865!
50-306364-00	GOETZ 40X52X7	500024 C-R	471224!	5001377A WHITE	J1107	50025 SPG	471553!
50-306371-70	GOETZ 25X62X10	500025 C-R	476838!	50014 SPG	471472!	500250 C-R	46997S
50-306386-00	GOETZ 110X150X12!	500026 BL-KN	472560N!	500142 C-R	470712	500251 C-R	415960
50-306386-00	GOETZ 110X150X15!	500026901 WHITE	J1127	500143 CHRYS	472636!	500253 C-R	418029!
50-306429-00	GOETZ 42X60X7	500029 C-R	471554!	500144 SELAS	5117	500254 ALLCH	473464!
50-306498-00	GOETZ 10X26X7	50003 C-R	416865!	500145 C-R	470774!	500254 ALLCH	473464
50-306503-00	GOETZ 6X16X7	50003 SPG	474277	500148 C-R	471192	500254 C-R	471511
50-306510-00	GOETZ 20X30X7	500033 C-R	474278!	50014S SPG	471472!	500255 C-R	416888!
50-306512-00	GOETZ 25X47X7	500034 C-R	417344!	50015 GEM	472164!	500256 C-R	415988
50-306515-00	GOETZ 35X62X7	500039 NAPCO	450073	500151 CONTI	412119!	500257 GMC	5070
50-306521-50	GOETZ 30X52X7	500040 C-R	50468	500152 C-R	471504!	500259 C-R	40769S
50-306542-50	GOETZ 42X58X7	500042 C-R	50191	500159 C-R	40369S	50025S SPG	471553!
50-306554-00	GOETZ 45X72X12	500046 GMC	472258	50015A GEM	472492!	50026 TIMKE	50026
50-306609-50	GOETZ 26X37X7	500046 OLIVE	472258	500163 C-R	473234	500262 CHRYS	417196!
50-306756-00	GOETZ 22X24X7	500046 WHITE	472258	500164 C-R	472492!	500263 GMC	415379!
50-306762-00	GOETZ 16X24X5	500047 C-R	470774!	500168 C-R	470898	500263 GMC	415379
50-306821-70	GOETZ 42X55X8	500048 C-R	473215!	500169 C-R	471341!	500263 MASSE	415379!
50-307047-70	GOETZ 35X47X7	500048 CHRYS	471192	500169E OLIVE	204002	500263 MASSE	415379
50-307065-70	GOETZ 115X140X12	500048 CONTI	471192	500169E WHITE	204002	500265 C-R	415960
50-319004-00	GOETZ 35X72X10	500050101 WHITE	J1121	50017 HYST	473405	500265 C-R	415960!
50-319033-00	GOETZ 25X40X7	500055 C-R	474278!	500170 SELAS	5116	50027 SPG	471554!
50-319078-00	GOETZ 35X50X7*	500056 C-R	205004	500175 C-R	470605!	500272 C-R	472951
50-319078-00	GOETZ 35X50X8	500057 C-R	471766!	500176 C-R	410708	500272 C-R	474252
50-319142-00	GOETZ 48X62X8	500061 B-L-H	473228	500176 OLIVE	416654!	500274 C-R	474279N
50-319155-00	GOETZ 35X48X8	500063 ALLCH	410190	500178E WHITE	204027	500274 GMC	415045!
50-319164-00	GOETZ 55X68X8	500064 C-R	470059	500179 C-R	410825	500277 C-R	6270
50-319166-00	GOETZ 35X45X7	500064 C-R	470380	5001824C HERCU	471781N=	500278 C-R	5751
50-319168-00	GOETZ 30X48X8	500067 C-R	415984!	500184 C-R	415995!	50027S SPG	471554!
50-319197-00	GOETZ 100X120X12	50006901 WHITE	J1127	500185 C-R	416654	500280 C-R	50883=
50-319217-00	GOETZ 48X72X7	50007 SPG	471281!	500188905 EATON	471466!	500282 CHRYS	416865!
50-319223-00	GOETZ 45X62X8	500073 C-R	410059	500189 C-R	417355!	500282 GMC	416865!
50-319227-00	GOETZ 130X160X15	500073 C-R	470380!	50019 SPG	471549!	500284 C-R	471466
50-319229-00	GOETZ 120X140X13	500075 C-R	472179	500190 C-R	417967!	500286 C-R	340724!
50-319231-00	GOETZ 105X130X12	500077 C-R	455191	500191 C-R	455024	500286 CHRYS	471765!
50-319234-00	GOETZ 42X62X8	500079 C-R	471785	500194 C-R	415138!	500286 CONTI	471765!
50-319248-00	GOETZ 40X62X8	50007S SPG	471281!	500198 C-R	204008	500287 CEMAC	470530!
50-319261-00	GOETZ 50X70X9	50008 SPG	471532	50019S SPG	471549!	500288 C-R	471442
50-319275-00	GOETZ 30X40X7	500081 C-R	473367!	500208 BOWEN	417546!	50029 SPG	481568!
50-319280-00	GOETZ 130X160X12	500081 C-R	473367	500209 C-R	472705!	500291 C-R	481073
50-319281-00	GOETZ 56X80X8	500086 C-R	473517!	50021 SPG	471551!	500292 C-R	471553!
50-319289-00	GOETZ 32X50X8	5000876C WHITE	473214!	500210 C-R	471532	500297 C-R	471567!
50-319292-00	GOETZ 28X40X8	500089401 WHITE	473464	500212 C-R	471567!	500298 C-R	471498
50-319296-00	GOETZ 80X100X10	5000894B WHITE	473464	500213 NAPCO	416404!	500298 NAPCO	415437!
50-319297-00	GOETZ 120X145X12	50008S SPG	471532	500215 C-R	471647	500298 NAPCO	415437
50-319303-00	GOETZ 35X54X8	50009 SPG	471466!	500216 C-R	450039	5003 C-R	455019!
50-319304-00	GOETZ 110X140X13	500090 NAPCO	471224!	500218 C-R	471224	5003 FAIRB	455019!
50-319313-00	GOETZ 8X16X7*	500091 C-R	351487	50021S SPG	471551!	50030 SPG	474253
50-319321-00	GOETZ 18X32X7	500093 C-R	415196!	500221 C-R	203005!	50030007.5 TROS	455019!
50-319327-00	GOETZ 45X68X7*	5000938A WHITE	J1128	500222 C-R	471652	50030807.5 TROS	415021
50-319328-00	GOETZ 25X35X7	500094 C-R	416130!	500222 C-R	482208!	50030S SPG	474253
50-S350 LETN	413247!	500094 WHITE	471141!	500223 C-R	471652	50031 SPG	473413
50-S441 LETN	471341!	500095 C-R	240319	500223 C-R	482208!	500310 C-R	471689!

! Industrial Size/Type * Minor Width Difference = Call 1-800-480-1212 for price and delivery.

Zero Duplication or Recommended		Zero Duplication or Recommended		Zero Duplication or Recommended		Zero Duplication or Recommended	
Mfr. No.	Name	Industrial	Mfr. No.	Name	Industrial	Mfr. No.	Name
500310	GOODM	455024	50033S	SPG	450033	50041	SPG
500310K	GOODM	455024	50034	C-R	415021	500411	C-R
500310M1	C-R	455024	50034	SPG	474273	500416	C-R
500312	C-R	415025	50034007.5	TROS	370011A	500416	C-R
500312	GR-DV	415025	50034011.5	TROS	416125!	50041S	SPG
50031207.5	TROS	370012A	500343	C-R	471750	500420	C-R
500312M1	C-R	415025	500344	C-R	471766!	500420	C-R
500314	C-R	455026	50034407.5	TROS	55030	500423	C-R
500315	C-R	471760	500346	C-R	471766!	500423	C-R
500316	B-L-H	415027!	50034807.5	TROS	416339	500424	C-R
500316	B-L-H	415027	50034807.5	TROS	455031!	500424	C-R
500316	C-R	415027!	50034810	TROS	416339	500428	C-R
500316	C-R	415027	50034810	TROS	455031!	50043	SPG
500316	CABOT	415027!	500349	C-R	7686S	500433	C-R
500316	CABOT	415027	50034M1	C-R	415021	500433	C-R
500316	GOODM	415027	50035	CLARK	470898!	500437	C-R
500316	GOODM	415027!	500350	C-R	450165	50043S	SPG
50031607.5	TROS	415034!	500350	C-R	471801	50044	C-R
500316M1	C-R	415027!	500351	C-R	6370N	50044	SPG
500316M1	C-R	415027	500352	C-R	473423	500441	C-R
500316TB	C-R	415027	500354	C-R	472826!	500442	C-R
500316TB	C-R	415027!	500356	C-R	472354!	500443	C-R
500318	C-R	55028	50035607.5	TROS	416345!	500446	C-R
500318M1	C-R	55028	50035607.5	TROS	455033!	500448	C-R
500319	C-R	480210!	500357	C-R	472258	50044M1	C-R
50032	C-R	455020	500359	C-R	473215!	50045	SPG
50032	NOVI	330385!	50036	C-R	455022	50045S	SPG
50032	SPG	471570!	50036	SPG	473415	50046	C-R
500320	C-R	416125!	50036007.5	TROS	415034!	50046M1	C-R
500320	HU-WR	416125!	5003600X01	WHITE	470380!	50047	SPG
500320	MINMA	416125!	500362	C-R	470950!	500474	C-R
50032007.5	TROS	455024	500362	C-R	6241S	500475	C-R
500320M1	C-R	416125!	500363	C-R	470950!	500476	C-R
500321	C-R	471762!	500363	C-R	6241S	50047S	SPG
500321	NOVI	330385	500364	C-R	6952S=	50048	SPG
500322	C-R	473420	500365	C-R	7245	500480	C-R
500323	C-R	471652	500366	C-R	473016!	500480	C-R
500323	C-R	482208!	500367	C-R	473225!	500482	C-R
500324	C-R	416339	500368	C-R	473226	500483	C-R
500324	C-R	455031!	50037	SPG	471137	500484	C-R
500324	GOODM	416339	500371	C-R	481163!	500485	GMC
500324	GOODM	455031!	500372	C-R	470625!	50049	SPG
500324	GR-DV	416339	500373	C-R	470625!	500495	C-R
500324	GR-DV	455031!	500374	C-R	472185!	500496	C-R
50032407.5	TROS	415025	500375	C-R	472439	500498	C-R
500325	C-R	471652	500376	C-R	450474	50049S	SPG
500325	C-R	482208!	500377	SELAS	5127	5004M1	C-R
500325	NOVI	240385	50038	C-R	415023	5004M1	C-R
500326	C-R	455032!	50038	GR-DV	415023	5004T8	C-R
500326	NOVI	472810!	50038	SPG	450038	5004T8	C-R
500327	C-R	471692!	500380	C-R	412119!	5005	C-R
500327	NOVI	350936	500384	C-R	415995!	500500	C-R
500328	B-L-H	416345!	500385	C-R	416345!	500503	C-R
500328	B-L-H	455033	500385	C-R	455033	500507	C-R
500328	C-R	416345!	50038M1	C-R	471255	500508	C-R
500328	C-R	455033	50039	SPG	450039	500509902	EATON
500328	FAIRB	416345!	500390	C-R	471224!	500510	C-R
500328	FAIRB	455033	500391	C-R	471224!	500514	C-R
500328M1	C-R	416345!	500394	C-R	204008	500517	C-R
500328M1	C-R	455033	500396	C-R	473228!	500519	C-R
50032M1	C-R	455020	500397	C-R	473234!	50052	SPG
50032S	SPG	471570!	50039S	SPG	450039	500520	C-R
50033	SPG	450033	5003M1	C-R	455019!	500527	C-R
500330	C-R	415034!	5004	C-R	415035!	50052S	SPG
500330M1	C-R	415034!	5004	C-R	415035	500530	C-R
500331	C-R	204020	50040	SPG	450040	500535	C-R
500331	C-R	204505!	50040007.5	TROS	415035	500537	C-R
50033207.5	TROS	415027	500401	C-R	473459!	500539	C-R
500333	C-R	470712	500401	C-R	473459	50054	SPG
500334	C-R	470712	500403	C-R	41013S	500541	C-R
50033607.5	TROS	55028	500407	C-R	410308!	500543	C-R
50033608	TROS	55028	50040S	SPG	450040	500545	C-R
50055	SPG	473215!	50041	SPG	450593!	50055	SPG
500550	C-R	6245S=	500411	C-R	470565!	500550	C-R
500557	C-R	203008	500416	C-R	410987!	500557	C-R
50055S	SPG	473215!	500416	C-R	450686	50055S	SPG
500561	C-R	100495	50041S	SPG	450593!	500561	C-R
500561	C-R	417349	500420	C-R	100495	500561	C-R
500562	C-R	417344!	500420	C-R	417349	500562	C-R
500563	C-R	417485	500423	C-R	415995!	500563	C-R
500565	C-R	417158!	500423	C-R	415995!	500565	C-R
500567	C-R	415995	500424	C-R	415085!	500567	C-R
500567	C-R	415995!	500424	C-R	456648	500567	C-R
50057	SPG	473225!	500428	C-R	471341!	50057	SPG
500570	C-R	417134	50043	SPG	473419	500570	C-R
500576	C-R	415991!	500433	C-R	472157	500576	C-R
500576	C-R	415991	500433	C-R	472157!	500576	C-R
500577	C-R	415437	500437	C-R	472439	500577	C-R
50057S	SPG	473225!	50043S	SPG	473419	50057S	SPG
500580	C-R	455134!	50044	C-R	455134!	500580	C-R
500582	C-R	472157	50044	SPG	450044	500582	C-R
500582	C-R	472157!	500441	C-R	204017	500582	C-R
500585	C-R	455037	500442	C-R	473235	500585	C-R
500586	C-R	455037	500443	C-R	450412	500586	C-R
500589	C-R	416888!	500446	C-R	9613S	500589	C-R
50059	SPG	470059	500448	C-R	416239!	50059	SPG
50059	SPG	470380!	50044M1	C-R	455134!	50059	SPG
500590	C-R	416888!	50045	SPG	476838!	500590	C-R
500591	C-R	370023A	50045S	SPG	476838!	500591	C-R
500594	C-R	415371	50046	C-R	415295	500594	C-R
500595	C-R	415138!	50046M1	C-R	415295	500595	C-R
500596	C-R	370036A	50047	SPG	473426	500596	C-R
500596	C-R	370349A	500474	C-R	6489	500596	C-R
500597	C-R	45637S	500475	C-R	473445	500597	C-R
500598	C-R	415058	500476	C-R	471766!	500598	C-R
500599	C-R	415060	50047S	SPG	473426	500599	C-R
500599	C-R	455060	50048	SPG	450048	500599	C-R
50059S	SPG	470059	500480	C-R	50199S	50059S	SPG
50059S	SPG	470380!	500480	C-R	6863S!	50059S	SPG
50060	GARLK	471442!	500482	C-R	412920!	50060	GARLK
500600	C-R	415064	500483	C-R	370030A	500600	C-R
500600	UNIVE	415725!	500484	C-R	471538	500600	UNIVE
500601	C-R	417269!	500485	GMC	450173	500601	C-R
500602	C-R	417273	50049	SPG	471750!	500602	C-R
500603	C-R	416865!	500495	C-R	471870!	500603	C-R
500604	C-R	417262!	500496	C-R	471264!	500604	C-R
500605	C-R	414045!	500498	C-R	330385!	500605	C-R
500607	C-R	416107!	50049S	SPG	471750!	500607	C-R
500607	C-R	455073	5004M1	C-R	415035!	500607	C-R
500608	C-R	7378	5004M1	C-R	415035	500608	C-R
50061	SPG	470950!	5004T8	C-R	415035	50061	SPG
50061	SPG	6241S	5004T8	C-R	415035!	50061	SPG
500611	C-R	416229	5005	C-R	471442!	500611	C-R
500613	C-R	416239!	500500	C-R	471442!	500613	C-R
500616	C-R	415379	500503	C-R	470954	500616	C-R
50061S	SPG	470950!	500507	C-R	472311!	50061S	SPG
50061S	SPG	6241S	500508	C-R	451583!	50061S	SPG
50062	SPG	474264	500509902	EATON	417082	50062	SPG
50062S	FAIRB	416865!	500510	C-R	472560N	50062S	FAIRB
50062S	UNIVE	416865!	500514	C-R	471737=	50062S	UNIVE
500628	C-R	470898	500517	C-R	471766!	500628	C-R
500629	C-R	473467!	500519	C-R	473227	500629	C-R
50062S	SPG	474264	50052	SPG	471354!	50062S	SPG
50063	C-R	416865!	500520	C-R	473227	50063	C-R
50063	SPG	471820	500527	C-R	471141!	50063	SPG
500630	C-R	471272!	50052S	SPG	471354!	500630	C-R
500631	C-R	451143	500530	C-R	473197	500631	C-R
500633	C-R	415899N	500535	C-R	455129	500633	C-R
500633	C-R	416624	500537	C-R	455297	500633	C-R
500634	C-R	410708	500539	C-R	6064	500634	C-R
500636	C-R	415991	50054	SPG	450054	500636	C-R
500636	C-R	455146!	500541	C-R	41081S=	500636	C-R
500637	C-R	416664!	500543	C-R	6985	500637	C-R
500639	C-R	417484!	500545	C-R	6952S=	500639	C-R

! Industrial Size/Type = Call 1-800-480-1212 for price and delivery.

NUMERICAL

Zero Duplication or Recommended		Zero Duplication or Recommended		Zero Duplication or Recommended		Zero Duplication or Recommended	
Mfr. No.	Name	Industrial	Mfr. No.	Name	Industrial	Mfr. No.	Name
50063S	SPG	471820	500736	CEMAC	473367	500866	C-R
50064	SPG	471821!	500739	C-R	415991	500867	C-R
500640	SELAS	5108	500739	C-R	455146!	50087	SPG
500642	C-R	417343!	50073S	SPG	450073	500870	C-R
500644	C-R	417344!	500741	C-R	415991	500872	C-R
500645	C-R	417316!	500741	C-R	455146!	500873	C-R
500647	C-R	415007	500742	C-R	415379!	500879	C-R
500648	C-R	415960!	500742	C-R	415379	50087S	SPG
500649	C-R	455008	500743	C-R	415437!	50088	SPG
50064M1	C-R	415295	500743	C-R	415437	500883	C-R
50064S	SPG	471821!	500746	C-R	415023	500885	C-R
50065	C-R	416865*	500749	C-R	55030	500887	C-R
50065	SPG	450065	500750	C-R	370002A	50088S	SPG
500650	UNIVE	417541	500751	C-R	415697!	50089	SPG
500651	C-R	455008	500751	C-R	455547	500890	C-R
500652	C-R	415960!	500755	OLIVE	471442!	500893	C-R
500653	C-R	455280	50076	SPG	470334!	500894	CHRYSS
500656	C-R	417621!	500768	C-R	450467	5009	NATL
500659	C-R	476470!	500769	C-R	416444	50090	SPG
500659	C-R	476470	50076S	SPG	470334!	500906	C-R
50065S	SPG	450065	50077	SPG	474281!	500907	C-R
50066	SPG	473367	500771	C-R	474276!	500907	C-R
50066	SPG	473367!	5007738	EATON	6792=	500908	C-R
500662	C-R	412473!	500778	WHITE	470950!	500909	C-R
500663	C-R	471192	500778	WHITE	6241S	50092	SPG
500669	C-R	415995!	500779	C-R	410694!	500920	C-R
50066S	SPG	473367!	50077S	SPG	474281!	500921	C-R
50066S	SPG	473367	50078	SPG	473444	500922	C-R
50067	SPG	473228	500781	C-R	415001!	500923	C-R
500675	WHITE	470334!	500783	CONTI	455024	500927	C-R
500675	WHITE	50289	500787	C-R	471705!	50092S	SPG
50067S	SPG	473228	500788	C-R	6832S	500930	C-R
50068	IRON	471192	50078S	SPG	473444	500931	C-R
50068	SPG	450068	500790	C-R	471760	500932	C-R
500680	C-R	417343!	500799	WHITE	455005	500934	C-R
500680	WHITE	416125!	5008	C-R	324234V	500936	C-R
500683	WHITE	473460	500801	C-R	417563	50094	SPG
500687	C-R	416125!	500806	C-R	450269	500944	C-R
50069	IRON	473197	50081	GARLK	471472!	50095	C-R
50069	SPG	473232	50081	TIMKE	50081	50095	SPG
500690E	OLIVE	471424!	500810	C-R	471651	50095	SPG
500690E	WHITE	471424!	500811	C-R	415027*	500952	C-R
500693	C-R	417353!	500817	C-R	483054N	500952	C-R
500697	C-R	471134	50082	SPG	473238	500958	C-R
50069S	SPG	473232	50082S	C-R	417520	50095S	SPG
50070	C-R	204509!	500828	C-R	455197N	50095S	SPG
50070	IRON	473215!	500829	C-R	415295	50096	SPG
50070	SPG	472185!	50082S	SPG	473238	50096	SPG
500700	C-R	6754S=	50083	SPG	472924!	500960	C-R
500701	C-R	415196!	500831	C-R	415021	500966	C-R
500702	C-R	416137	500832	C-R	455197N	500967	C-R
500705	C-R	417538	500836	C-R	55199=	50096S	SPG
500706	C-R	417247!	500839	C-R	6863S!	50096S	SPG
500707	C-R	416167!	50083S	SPG	472924!	50097	SPG
500708	C-R	417267	50084	SPG	450084!	500976	C-R
50070S	SPG	472185!	500844	C-R	471647	500978	C-R
50071	SPG	472439	500845	C-R	472951	50097S	SPG
500710	C-R	415645!	500845	C-R	474252	50098	SPG
500710	C-R	455104	500846	C-R	323138!	500981	C-R
500711	C-R	417556	500847	C-R	472475	50098S	SPG
500713	C-R	417563	50084S	SPG	450084!	50099	SPG
500715	C-R	455117	50085	SPG	470530!	500997	C-R
500717	C-R	417598	500850	C-R	471766!	500999	C-R
500718	C-R	417602!	500853	C-R	471829	50099S	SPG
50071S	SPG	472439	500854	C-R	471344	500BM4	C-R
50072	GARLK	471526!	500855	C-R	471829	500F38	C-R
50072S	CEMAC	476470	500857	C-R	7107A=	500F4	C-R
500728	CEMAC	472924!	50085S	SPG	470530!	500FM4	C-R
50073	SPG	450073	500861	C-R	451948	500GF312	C-R
500731	C-R	472299	500863	C-R	6547	500HL38	C-R
500735	CEMAC	471192	500865	C-R	473464!	500W324	C-R
500736	CEMAC	473367!	500865	C-R	473464	500W324	C-R

! Industrial Size/Type * Minor Width Difference = Call 1-800-480-1212 for price and delivery.

Zero Duplication or Recommended		Zero Duplication or Recommended		Zero Duplication or Recommended		Zero Duplication or Recommended		
Mfr. No.	Name	Mfr. No.	Name	Mfr. No.	Name	Mfr. No.	Name	
501201	C-R	441130	50147 SPG	450147	501669 C-R	456618	501796 C-R	416271!
501203	C-R	5957S	50148 C-R	417541	50167 C-R	8126S	501799 C-R	415995!
501204	C-R	470898!	50148 NATL	473463	501671 C-R	472185!	50180 C-R	417543
501209	C-R	6532S=	50149 SPG	40769S	501673 C-R	470712!	501802 C-R	415027
50120S	SPG	471224!	501493 ALLCH	473215!	501675 C-R	345146	501802 C-R	415027!
50121	SPG	472409!	501499 C-R	240435	501678 C-R	417357	501803 C-R	455189
501213	C-R	8792S	5015 TIMKE	5015	501678 C-R	455192!	501805 C-R	455583N!
501219	C-R	340413	50150 C-R	417541	501679 C-R	455194	501807 C-R	471442!
50121S	SPG	472409!	50150 SPG	471750!	50168 C-R	417542	501808 C-R	471551!
501222	C-R	42260S	501500 C-R	240698	50168 DANA	4525V	501811E MINNM	471887
501223	C-R	311189	501507 C-R	412119!	501683 C-R	472924!	501811E OLIVE	471887
501229	C-R	254270	50151 SPG	472560N!	501685 C-R	340771	501815 C-R	473227!
501233	C-R	7018N=	50151S TIMKE	472560N	501686 C-R	451583!	501817 C-R	470625!
501239	C-R	415035	50152 SPG	473205	501687 C-R	471564	501817902 EATON	40085S
501239	C-R	415035!	501536 C-R	240816	501689 C-R	451583!	501818 C-R	470059
50124	C-R	380069A	501537 C-R	240735	50169 SPG	473214	501818 C-R	470380!
50124	C-R	416865	501538 C-R	5976S	501690 C-R	480210!	50182 SPG	471747!
501243	C-R	471554	50154 SPG	473234	501690911AM CHALL	471272!	501820 C-R	410059
501244	C-R	240027=	50154S SPG	473234	501690993 CHALL	415303!	501820 C-R	470380!
50126	TIMKE	50126	50155 C-R	417541	501691 C-R	50209	5018200 CALI	417223
501260	C-R	3103!	50155 SPG	473447	501695 C-R	471705!	501821 C-R	473228
501263	C-R	5951	501554 C-R	240733	501697 C-R	471787	501824 C-R	472924!
501266	C-R	350936	501557 C-R	7014S	501699 C-R	40169S	50182S SPG	471747!
501281	C-R	470409!	50155S SPG	473447	50169S SPG	473214	50183 ESSIC	472179
501281	C-R	50409	50156 NATL	350156	5016LA JN-MN	416891!*	50183 SPG	472179
50129	SPG	450129	50156 NATL	473096	50170 C-R	417542	501831 C-R	415995!
50129	SPG	472826!	501573 C-R	340724!	501700 C-R	7886S	501833 C-R	415991
501296	C-R	240119	501579 C-R	40286	501705 C-R	470898	501833 C-R	455146!
50129S	SPG	450129	50158 SPG	471762!	501706 C-R	203034	501834 C-R	416024
50129S	SPG	472826!	501580 C-R	340136	501709 C-R	442380	501835 C-R	45031S
50130	C-R	417278	501582 C-R	6241S	50171 SPG	473016!	501837 C-R	415036
501312	C-R	340853	501585 C-R	40566S	501714 C-R	416921!	501838 C-R	417621!
50132	C-R	417278	501586 C-R	40071S	501718 C-R	471255!	501839 C-R	412473!
50132	SPG	412920!	50158S SPG	471762!	50171S SPG	473016!	50183S SPG	472179
50132S	SPG	412920!	50159 SPG	450159	50172 C-R	417542!	50184 SPG	471571
50133	C-R	417278	50160 SPG	471763	501722 C-R	416476!	501840 C-R	470059
50133	SPG	450133	501602 C-R	470334!	501723 C-R	416865!	501840 C-R	470380!
501332	C-R	473367!	501607 C-R	471272!	501724 C-R	415066	501841 C-R	470354
501332	C-R	473367	501608 C-R	473464!	501725 C-R	417536	501842 C-R	470354
501333	C-R	5458	501608 C-R	473464	501726 C-R	45637S	501843 C-R	415437
50133S	SPG	450133	50160S SPG	471763	501728 C-R	415150!	501843 C-R	415437!
50134	C-R	417278	50161 SPG	471764!	50173 SPG	450173	501845 C-R	6863S!
501348	C-R	471526!	501610 C-R	472157!	501733 C-R	415027	501847 C-R	471076
501349	C-R	254287	501610 C-R	472157	501733 C-R	415027!	501848 C-R	474278!
50135	C-R	417278	501613 C-R	415449!	501734 C-R	415027!	50184S SPG	471571
50135	SPG	471192	501614 C-R	6127	501734 C-R	415027	50185 C-R	417544
501350	C-R	340797	501615 C-R	6077	501735 C-R	415379	50185 SPG	473229
50135S	SPG	471192	501619 C-R	200354	501735 C-R	415379!	501850 C-R	1126
50136	SPG	470625!	50161S SPG	471764!	501736 C-R	455079!	501850 C-R	474276!
50136S	SPG	470625!	50162 SPG	471765!	501737 C-R	417316!	501854 C-R	474256
50137	SPG	471529	501622 C-R	417316!	501745 C-R	471736	501854 CHRYS	474256
501379	C-R	7751H	501623 C-R	417262!	501746 C-R	470898*	501857 C-R	7600S
501379E	OLIVE	450765!	501628 C-R	471564	501748 C-R	200640	501858 C-R	472492!
501379E	WHITE	450765!	50162S SPG	471765!	50175 TROS	7600S	501859 C-R	470898
50137S	SPG	471529	50163 SPG	471766!	501754 C-R	471281!	50185S SPG	473229
50138	SPG	473459	501632 C-R	415449!	50176 AM WH	417316!	50186 SPG	473236!
50138S	SPG	473459	501632 C-R	415449!	501764 C-R	471567!	501860 C-R	450326
50139	SPG	472234	501633 C-R	415001!	501767 C-R	471689!	501863 C-R	415483!
50139S	SPG	472234	501636 C-R	471210!	501768 C-R	471689!	501864 C-R	416273!
50140	SPG	471413!	50163S SPG	471766!	501769 C-R	204005	501866 C-R	415259!
501406	C-R	6863S!	501643 C-R	415458!	50177 AM WH	50528	501867 C-R	415991
501417	C-R	240319	501647 C-R	450776!	50177 SPG	450177	501868 C-R	345035
501418	C-R	8059S	501649 C-R	410308!	501773 C-R	471760	50186S SPG	473236!
501422	C-R	240470	50165 SPG	450165	501778 C-R	451817	50187 SPG	471619!
50143	SPG	450143	50165 SPG	471801!	501780 C-R	473234	501870 C-R	75251S
501437	C-R	240435	501653 C-R	44053	501782 C-R	472164!	501871 C-R	415327
501438	C-R	7412S	501659 C-R	473228!	501784 C-R	472319	501872 C-R	470334!
50144	SPG	473226	50165S SPG	450165	501786 C-R	203002	501873 C-R	471763
50144S	SPG	473226	50165S SPG	471801!	501788 C-R	450430	501874 C-R	473231!
50145	SPG	473460	501663 C-R	203006!	501789 C-R	451948	501876 C-R	450065
50145S	C-R	55337	501664 C-R	470898	501790 C-R	472924!	501877 C-R	472164!
50145S	SPG	473460	501668 C-R	455858	501791 C-R	470530!	501878 C-R	470530!

! Industrial Size/Type * Minor Width Difference = Call 1-800-480-1212 for price and delivery.

NUMERICAL

Zero Duplication or Recommended		Zero Duplication or Recommended		Zero Duplication or Recommended		Zero Duplication or Recommended		
Mfr. No.	Name	Mfr. No.	Name	Mfr. No.	Name	Mfr. No.	Name	
501879	C-R	50631	501969 CONTI	471539!	502110 C-R	417603!	502303 C-R	476470
50187S	SPG	471619!	50197 SPG	471103!	502112 C-R	416394	502305 C-R	45825S
501880	C-R	416273!	501970 C-R	415995!	502113 C-R	417604	502308 C-R	471466!
501881	C-R	200600	501974 C-R	473236!	502117 C-R	417567	50230S	SPG 471689!
501882	C-R	415449!	501975 C-R	44052	50212 SPG	481644	502317 C-R	350435
501885	C-R	42763	501977 C-R	473234!	502120 C-R	415128	50232 SPG	471705!
501887	C-R	472016	501978 C-R	3210	502126 CONTI	471192	502327 C-R	471649!
50188S	SPG	450188	50197S	TIMKE 471103	50213 GARLK	471264!	502328 C-R	471649!
50189	SPG	471692!	501980 C-R	474278!	502131 C-R	471818	50232S	SPG 471705!
501890	C-R	417210!	501983 C-R	7208S	502132 C-R	40183S!	50233 SPG	471733
501891	C-R	417171!	501986 C-R	473243	502133 C-R	416476!	502330 C-R	471705!
501895	C-R	415483!	501987 C-R	40973S	502136 C-R	6489	502333 C-R	471763
501896	C-R	472636!	501988 C-R	473444!	502139 C-R	415234!	502334 C-R	480630
501898	C-R	473467!	50199 SPG	50199S!	50214 SPG	473414	502337 C-R	331107N
501899	C-R	471141!	50199 SPG	6863S!	502141 C-R	470764!	50233S	SPG 471733
50189S	SPG	471692!	501992 C-R	5759=	502141 C-R	50764	50234S	C-R 472636!
501900	C-R	473447	501993 C-R	473234!	502145 C-R	471646!	502347 C-R	340815
501901	C-R	210914	501994 C-R	6815	502148 C-R	55301S	502351 C-R	471765!
501902	C-R	4148	501997 C-R	473237!	502149 C-R	455480!	502352 C-R	472213
501902	C-R	471424!	50199S	NATL 6863S	50215 SPG	471646!	502353 C-R	470059
501903	C-R	471424!	50199S	TIMKE 50199S	502153 C-R	417507	502353 C-R	470380!
501904	C-R	471344	501G324	C-R 45031S	502153 C-R	417507!	502354 C-R	473213!
501905	C-R	204007=	501HL38	C-R 418028	502155 C-R	416892!	502355 C-R	473231!
501906	C-R	6489	502 UNIVE	417546!	502156 C-R	472397!	502358 C-R	473228!
501908	C-R	205017	50200 NATL	320457	50215S	SPG 471646!	50236 SPG	470712!
501917	C-R	203005!	502000 C-R	450593!	50216S	TROS 455037	502360 C-R	472070
501917	C-R	205005	502000	CONTI 416956	50217 SPG	471647	502362 C-R	40183S!
501918	C-R	471633!	502002 C-R	476470!	502171 C-R	473215!	502365 C-R	471366!
50192	SPG	473473	502004 C-R	480630!	50217S	SPG 471647	502368 C-R	471272!
501922	C-R	254287	502005 C-R	410737!	502180 C-R	6336S	50236S	SPG 470712!
501922903	EATON	415213N	502007 C-R	7107A=	50219 SPG	471649!	50237 GARLK	471564
501922904	EATON	455134!	502008 C-R	6960	502192 CONTI	473214!	50237 SPG	471744!
501923902	Y-T	417366!	50201 GARLK	471466!	502196 C-R	5405	502370 C-R	410102
501925901	Y-T	J1127	502010 C-R	415991!	50219S	SPG 471649!	502372 C-R	45827S
501925902	EATON	J1105	502010 C-R	415991	5022 SPG	224835	502375 C-R	415350
501925903	EATON	J1111	502015 C-R	416364!	5022 SPG	48X68X10!	502376 C-R	415303!
501925905	EATON	J1134	50202 SPG	472705!	50220 SPG	481650	502380 C-R	471758!
501925906	EATON	J1132	502021	CHRY S 415458	502203 C-R	450472!	502381 C-R	417487
501925908	EATON	J1136	502021	CONTI 415458!	502210 C-R	415072	502384 C-R	471366!
501925910	Y-T	J1129*	502021	H-S 415458!	502212 C-R	417210!	502387 C-R	471795
501927	C-R	480210!	50202S	SPG 472705!	502214 C-R	450040	502388 C-R	471795
501928	C-R	474253!	502038	CONTI 417158!	502217 C-R	472015!	502389 C-R	470625!
501928	C-R	474253	50204 SPG	471231!	502219 C-R	471498	50239 SPG	450342
501929	C-R	480210!	502043	C-R 6241S	50222 SPG	471684!	502391 C-R	455136
501933	C-R	471737=	502045	C-R 415371	502220 C-R	415150!	502392 C-R	415449!
501934	C-R	472475	502047	C-R 6245S=	502221 C-R	455253	502393 C-R	415449!
501938	C-R	40059S	50204S	SPG 471231!	502222 C-R	476470	50239S	SPG 450342
50194	SPG	473010	502056	C-R 416153!	502223 C-R	417498	5023LA	JN-MN 411245!
501940	C-R	472299	502058	C-R 417247!	502225 C-R	472150	502400	C-R 481443!
501942	C-R	50501	502059	C-R 416154!	502229 C-R	472193!	50241 SPG	471785!
501943	CONTI	471651	502061	C-R 5578	50222S	SPG 471684!	502417 C-R	450467
501944	C-R	6954S	502068	C-R 418028!	502236 C-R	50402	50241S	SPG 471785!
501944	CONTI	471267!	502069	C-R 412119	502245 C-R	6872S	502424	C-R 470898*
501946	CONTI	473414	50207	NATL 470207	50225	GARLK 471255!	502426	C-R 417344!
501947	C-R	200110	502075	C-R 5452	502252	C-R 5408	502436	C-R 470954
501948	C-R	40337S	502078	C-R 352541	502259	C-R 416664!	502439	C-R 417267
501949	C-R	410987!	50208	SPG 451583!	50226	SPG 470590	50244	SPG 471787!
50194S	SPG	473010	502081	C-R 5406	502262	C-R 415938	502441	AVCO 471567!
50195	C-R	417545	502083	CONTI 471466!	50226S	SPG 470590	502441	CONTI 471567!
50195	NATL	470195!	502083	H-S 471466!	502272	C-R 472394	502441	H-S 471567!
501950	C-R	415483!	50208S	SPG 451583!	502276	CONTI 473229	502441	HERCU 471567!
501952	C-R	415458!	50209	TIMKE 50209	502280	H-S 240356	502442	C-R 481568!
501955	C-R	455008	502090M1	MASSE 474272	502285	AVCO 472150	502443	C-R 471498
501956	C-R	415995!	502098	C-R 471808!	502285	C-R 414045!	502447	C-R 471413
501962	CONTI	481650	502099	C-R 471808!	502285	CONTI 472150	50244S	SPG 471787!
501963	CONTI	471553!	502100	C-R 240435	502285	H-S 472150	50245	SPG 471795
501964	C-R	473010!	502100	CONTI 471648	50228S	HERCU 472150	502453	C-R 471760
501964	CONTI	471272!	502104	AVCO 471765!	5022LA	JN-MN 473466	502454	C-R 450400
501965	C-R	472179!	502104	CONTI 471765!	5022LPD	JN-MN 473466	502457	C-R 474256
501966	C-R	473452	502104	H-S 471765!	5022LUP	JN-MN 473466	502458	C-R 40494S
501968	C-R	472397!	502104	HERCU 471765!	50230	ESSIC 471689!	50245S	HERCU 471795
501969	C-R	451078!	502109	C-R 6785	50230	SPG 471689!	50245S	SPG 471795

! Industrial Size/Type * Minor Width Difference = Call 1-800-480-1212 for price and delivery.

Zero Duplication or Recommended		Zero Duplication or Recommended		Zero Duplication or Recommended		Zero Duplication or Recommended		
Mfr. No.	Name	Mfr. No.	Name	Mfr. No.	Name	Mfr. No.	Name	
502460	C-R	473234!	502626	C-R	55524	502805	C-R	471870!
502464	C-R	41013S	502627	C-R	55155=	50280S	SPG	450280
502465	C-R	472179	502628	C-R	416288	502810	C-R	472144!
502466	C-R	450285	502629	C-R	416288!	502816	C-R	471984
502469	C-R	40627S=	50262S	SPG	470682	502820	C-R	412040
502470	C-R	470898	502630	C-R	417492	502821	C-R	471271!
502471	C-R	473244	502631	C-R	415498	502822	C-R	413247!
502477	C-R	470954	502634	C-R	415937!	502825	C-R	416271!
502478	C-R	200763	502637	C-R	450593!	502826	C-R	415449!
502479	C-R	411394!	502639	CONTI	471192	502827	C-R	417474
50247S	SPG	473211!	502642	C-R	350364	502828	C-R	410825
502480	C-R	493291	502649	AVCO	471192	502829	C-R	455005
502486	C-R	415001!	502649	CONTI	471192	502830	C-R	417480!
502487	C-R	455151	502649	H-S	471192	502831	C-R	415082
50248S	SPG	473436	50265	SPG	473235!	502832	C-R	417350!
502491	C-R	416921!	50265S	SPG	473235!	502832	NAPCO	471341!
502495	C-R	417205!	50266	TIMKE	50266	502836	C-R	416654
502496	C-R	417967!	50267	SPG	472070	502837	C-R	476470
502498	C-R	415142	502671	C-R	471413	502838	C-R	416624!
502500	C-R	470712!	502679	C-R	472258	502843	C-R	415991!
502501	C-R	450129	50267S	SPG	472070	502843	C-R	415991
502501	C-R	472826!	502680	C-R	471760	502844	C-R	416865!
502502	C-R	470487!	502681	C-R	471760	502846	C-R	45187S
502503	C-R	450073	502689	C-R	42352S	50285	SPG	450285
502506	C-R	472179	50269	CLARK	472924!	502850	C-R	415025
502507	C-R	471827	50269	SPG	450269	502852	C-R	416892!
502508	C-R	473473	502690	C-R	474255	502853	C-R	415284
502509	C-R	472016	502691	C-R	473212!	502854	C-R	416865!
502512	C-R	410496!	502693	C-R	473215!	502855	C-R	471835!
502517	C-R	6930	502697	C-R	450065	502856	C-R	471141!
502518	C-R	417351!	502698	C-R	50327	502857	C-R	470898*
502524	C-R	415447	5026LA	JN-MN	471766!	50286	SPG	474274
502529	C-R	473229	5027	TIMKE	5027	502860	C-R	471733
502530	C-R	473228	502702	C-R	472164!	502864	C-R	240119
502531	C-R	410190	502712	C-R	473450!	502869	C-R	473228
502534	C-R	473449	502713	C-R	472144!	50286S	SPG	474274
502536	C-R	472924	502715	C-R	472924!	502871	C-R	414045!
502540	C-R	472015!	502717	C-R	472397!	502872	C-R	411330!
502541	C-R	473462	502726	ALLCH	411253!	502873	C-R	415995!*
502543	C-R	410737!	502730	C-R	410987=	502873	C-R	415995!
502544	C-R	472636!	502731	C-R	411330!	502879	C-R	416282
502548	C-R	416271!	502732	C-R	412861	502881	C-R	7376=
502550	C-R	417350!	502735	C-R	415449!	502888	C-R	471649!
502557	C-R	7866S	50273S	SPG	450273	50289	TIMKE	50289
502565	CONTI	473444	50274	SPG	450274	502898	C-R	416738!
502571	C-R	471571	502745	C-R	417487	502898	C-R	450096
502573	C-R	471224!	502747	C-R	412473!	502899	C-R	210945
502574	C-R	471649!	502750	C-R	471493	50290	TROS	472492!
502575	C-R	471652	502754	C-R	417211!	502901	C-R	417621!
502578	C-R	474278!	502759	C-R	417520	502902	C-R	415025
502579	C-R	470590	50275S	SPG	450275	502905	C-R	410308
50258	SPG	482253	502760	C-R	417516	50291	SPG	471141!
502581	C-R	471689!	502765	C-R	473225!	502917	C-R	451583!
502582	C-R	472354!	502774	C-R	412119!	502918	C-R	471733
502585	C-R	471766!	502776	C-R	412473!	50291S	SPG	471141!
502589	C-R	473517!	502782	C-R	9613S	50292	TROS	473238!
50258S	SPG	482253	502783	C-R	474272!	502921	C-R	6241S
502591	C-R	473016!	502783	C-R	474272	502928	C-R	473238
502592	C-R	473213!	502784	C-R	473467	502929	C-R	450084!
5026	C-R	471526!	502785	C-R	410987!	502929800	EATON	473231!
5026	TIMKE	5026	502788	C-R	471442!	502933	C-R	413247!
50260	SPG	450260	50279	CLARK	471766!	502937	C-R	470774!
502604	C-R	471231!	50279	SPG	450279	502938	C-R	415960
502607	C-R	450188	502793	C-R	473438	502939	C-R	472810!
502608	C-R	472354!	502798	C-R	340823	502945	C-R	471472=
502609	C-R	471764!	502799	C-R	472193!	50295	SPG	472144!
502610	C-R	471192	5027LUP	JN-MN	417433!	502952	C-R	481397
502611	C-R	471801!	50280	CLARK	473243	502953	C-R	471688
502616	C-R	450275	50280	SPG	450280	502956	C-R	471733
50262	SPG	470682	502800	C-R	40268=	502957	C-R	205004
502621	C-R	410987!	502801	C-R	40071S	50295S	SPG	472144!
502624	C-R	415349	502803	C-R	451469	502963	C-R	472213
502964	C-R	473231!	502965	C-R	473237!	50298	SPG	473239
502965	C-R	473237!	502984	C-R	418028	502984	C-R	455137!
50298	SPG	473239	502987	C-R	415991	502987	C-R	415991
502984	C-R	418028	50298S	SPG	473239	50298S	SPG	473239
502984	C-R	455137!	502990	C-R	416891!	502990	C-R	416891!
502987	C-R	415991	502993	C-R	470712!	502993	C-R	470712!
502987	C-R	415991	502994	C-R	473214*	502994	C-R	473214*
50298S	SPG	473239	502994	C-R	473214	502994	C-R	473214
502990	C-R	416891!	502995	C-R	470380!	502995	C-R	470380!
502993	C-R	470712!	502997	C-R	450666	502997	C-R	450666
502994	C-R	473214*	50299S	TROS	473241	50299S	TROS	473241
502994	C-R	473214	50300	SPG	473294	50300	SPG	473294
502995	C-R	470380!	503000	C-R	415458!	503000	C-R	415458!
502997	C-R	450666	503003	C-R	6532S=	503003	C-R	6532S=
50299S	TROS	473241	503006	C-R	417196!	503006	C-R	417196!
50300	SPG	473294	503008	C-R	417254	503008	C-R	417254
503000	C-R	415458!	503009	C-R	7006S	503009	C-R	7006S
503003	C-R	6532S=	50300S	SPG	473294	50300S	SPG	473294
503006	C-R	417196!	50301	SPG	473297!	50301	SPG	473297!
503008	C-R	417254	5030128	EATON	473237!	5030128	EATON	473237!
503009	C-R	7006S	50301S	SPG	473297!	50301S	SPG	473297!
50300S	SPG	473294	50302	SPG	472012	50302	SPG	472012
50301	SPG	473297!	503020	C-R	6781	503020	C-R	6781
5030128	EATON	473237!	503022	C-R	472234	503022	C-R	472234
50301S	SPG	473297!	503026	C-R	415995!	503026	C-R	415995!
50302	SPG	472012	503027	C-R	8370S	503027	C-R	8370S
503020	C-R	6781	503029	C-R	470088	503029	C-R	470088
503022	C-R	472234	50302S	SPG	472012	50302S	SPG	472012
503026	C-R	415995!	50303	SPG	472015!	50303	SPG	472015!
503027	C-R	8370S	503030	C-R	472636!	503030	C-R	472636!
503029	C-R	470088	503031	C-R	415379!	503031	C-R	415379!
50302S	SPG	472012	503034	C-R	471553!	503034	C-R	471553!
50303	SPG	472015!	503038	C-R	471689!	503038	C-R	471689!
503030	C-R	472636!	503039	C-R	473214	503039	C-R	473214
503031	C-R	415379!	50303S	SPG	472015!	50303S	SPG	472015!
503034	C-R	471553!	503043E	OLIVE	204047=	503043E	OLIVE	204047=
503038	C-R	471689!	503044R1	BUC-E	412040	503044R1	BUC-E	412040
503039	C-R	473214	503046	C-R	472164!	503046	C-R	472164!
50303S	SPG	472015!	503047	C-R	471862	503047	C-R	471862
503043E	OLIVE	204047=	503048	C-R	473179	503048	C-R	473179
503044R1	BUC-E	412040	503050	C-R	471750!	503050	C-R	471750!
503046	C-R	472164!	5030591050	GOETZ	710289	5030591050	GOETZ	710289
503047	C-R	471862	50306	SPG	473461!	50306	SPG	473461!
503048	C-R	473179	5030604550	GOETZ	710288	5030604550	GOETZ	710288
503050	C-R	471750!	503063	C-R	415034!	503063	C-R	415034!
5030591050	GOETZ	710289	503066	C-R	472572!	503066	C-R	472572!
50306	SPG	473461!	503067	C-R	6855N=	503067	C-R	6855N=
5030604550	GOETZ	710288	5030679950	GOETZ	710290	5030679950	GOETZ	710290
503063	C-R	415034!	50306S	SPG	473461!	50306S	SPG	473461!
503066	C-R	472572!	50307	SPG	450307	50307	SPG	450307
503067	C-R	6855N=	50307S	SPG	450307	50307S	SPG	450307
5030679950	GOETZ	710290	50308	SPG	410308!	50308	SPG	410308!
50306S	SPG	473461!	50308S	SPG	410308!	50308S	SPG	410308!
50307	SPG	450307	50309	SPG	471391!	50309	SPG	471391!
50307S	SPG	450307	50309S	SPG	471391!	50309S	SPG	471391!
50308	SPG	410308!	503113	C-R	240023	503113	C-R	240023
50308S	SPG	410308!	503114	C-R	340787	503114	C-R	340787
50309	SPG	471391!	503117	C-R	471270!	503117	C-R	471270!
50309S	SPG	471391!	503119	C-R	345146	503119	C-R	345146
503113	C-R	240023	50311S	SPG	450311	50311S	SPG	450311
503114	C-R	340787	50312	SPG	472016	50312	SPG	472016
503117	C-R	471270!	503128	C-R	471570!	503128	C-R	471570!
503119	C-R	345146	50312N	SPG				

Zero Duplication or Recommended Industrial		Zero Duplication or Recommended Industrial		Zero Duplication or Recommended Industrial		Zero Duplication or Recommended Industrial		
Mfr. No.	Name	Mfr. No.	Name	Mfr. No.	Name	Mfr. No.	Name	
50315	SPG	473245!	503431	C-R	471579	503621	C-R	473228
503150	C-R	415124	503432	C-R	450040	503623	C-R	471192
503151	C-R	455123	503435	C-R	481568!	503624	C-R	470625!
503154	C-R	8139	503440	C-R	471567!	50362S	SPG	450362
503159	C-R	450133	503442	C-R	470390	503630	C-R	40185
50316	SPG	472636!	503443	C-R	471646!	503635	C-R	40438S
503160	C-R	417238	503444	C-R	471571	50364	SPG	350364
503161	C-R	455024	503448	C-R	471553!	503644	C-R	473444
503163	C-R	45013S	503450	C-R	481568!	503645	C-R	450984
50316S	SPG	472636!	503452	C-R	470506!	503646	C-R	473215!
50317	SPG	411394!	503455	C-R	471529	503647	C-R	40568S
503173	C-R	473179	503466	C-R	481568!	503649	C-R	474274
50317S	SPG	411394!	503468	C-R	451583!	50365	SPG	470898
503187	C-R	473215!	50347	SPG	474254	503651	C-R	473367!
503189	C-R	415437	503470	C-R	471538!	503652	C-R	450523
50319	SPG	481163!	503474	C-R	471224	503658	C-R	5871
50320	SPG	473475	503479	C-R	470506!	50365S	SPG	470898
503205	C-R	471567!	50347S	SPG	474254	503671	C-R	470354
503218	C-R	415458!	503480	C-R	471571	503672	C-R	470354
50322	SPG	412040	503481	C-R	471648	503675	C-R	416107!
503221	C-R	416865!	503482	C-R	471647	503675	C-R	455073
503223	C-R	455134!	503490	C-R	473414	503699	C-R	6643S
503225	C-R	476838!	503491	C-R	474253	503711	C-R	471316
50322R1	IH	6090S	503491	C-R	474253*	503725	C-R	80313
50322S	SPG	412040	503495	C-R	450588!	503727	C-R	473231!
503232	C-R	470950!	503499	C-R	481568!	503728	C-R	353141!
503232	C-R	6241S	5035	C-R	471526!	503729	C-R	415060
503233	C-R	473445	50350	SPG	413247!	503729	C-R	455060
503238	C-R	472144!	50350S	SPG	413247!	50373	SPG	451948
503242	C-R	413246	50351	SPG	471504!	503730	C-R	417556
503247	C-R	471649!	503514	C-R	6897=	503735	C-R	470328
503259	C-R	417492	50351S	SPG	471504!	503735	C-R	481213!
50326	SPG	450326	50352	SPG	472164!	503736	C-R	40520S
503266	C-R	471354!	503521	C-R	410190	503737	C-R	471526!
50327	TIMKE	50327	503526	C-R	473317	50373S	SPG	451948
503270	C-R	418028	503528	C-R	471391!	50374	SPG	411500
503270	C-R	455137!	503529	C-R	473462	503741	C-R	40059S
503279	C-R	412943	50352S	SPG	472164!	50374S	SPG	411500
50328	ESSIC	470328	50354	SPG	470354	50375	SPG	6936S
50328	ESSIC	481213!	503548	C-R	417022	503750	C-R	6663S
503281	C-R	45825S	503549	ALLCH	471141!	50375S	SPG	450375
503282	C-R	416332!	503549	C-R	415656	50375S	SPG	6936S
503283	C-R	415351!	50354S	SPG	470354	50375S	SPG	9845
503289	C-R	473464!	503550	C-R	410825	503762	C-R	473473
503289	C-R	473464	503551	C-R	55236	503766	C-R	29129S
50329	SPG	412871!	50356	NATL	474278!	503772	C-R	472144!
503293	C-R	417134	50356	WMG	474278!	503779	C-R	472924
50329S	SPG	412871!	503562	C-R	474253*	503787	C-R	452222!
50331	HYST	473473	503562	C-R	474253	503788	C-R	472287!
50331NA	SPG	473452	503575	C-R	471498	503789	C-R	416297
50332	SPG	450332	503577	C-R	471571	503801	C-R	471647
503344	C-R	473238	50358	SPG	473231	503804	C-R	471648
503348	C-R	20503S	503582	C-R	470645	503808	C-R	481568!
50335	SPG	45033S	503584	C-R	471579	503809	C-R	471647
50336	SPG	474255	503585	C-R	471539!	50381	SPG	471652
503361	C-R	418028	50358S	SPG	473231	503811	C-R	450033
503365	C-R	8635S	50359	SPG	473448	503812	C-R	481568!
503368	C-R	470530!	503591	C-R	473232!	503814	C-R	471579
50336S	SPG	474255	503593	C-R	482253	50381S	SPG	471652
503372	C-R	415991	503598	C-R	450516	50382	SPG	474276!
503372	C-R	455146!	50359S	SPG	473448	503825	C-R	481864
50339	SPG	450339	50360	SPG	471870!	503828	C-R	482253
503400	C-R	455612=	503600	C-R	474274	503831	C-R	473367!
503402	C-R	473367!	503604	C-R	473436	50385	SPG	330385!
503408	C-R	471538!	503607	C-R	473224!	503852	C-R	417316!
50340S	SPG	450340	503608	C-R	472258!	50385S	NATL	24038S
50341	SPG	450341	50360S	SPG	471870!	50385S	TIMKE	330385
503410	C-R	471553!	50361	SPG	472193!	503860	C-R	472185!
503416	C-R	471267!	503612	C-R	472354!	503872	C-R	472299
503419	C-R	471553!	503614	C-R	473228	503877	C-R	473235!
503421	C-R	471553!	503617	C-R	473437	503880	C-R	472287!
50343	SPG	450343	503620	C-R	353141!	50389	SPG	472492!
503894	C-R	473211!	503895	C-R	473228	503898	C-R	473232!
503895	C-R	473228	503898	C-R	473232!	50389S	SPG	472492!
503898	C-R	473232!	5039	TIMKE	5039	503908	C-R	450275
50389S	SPG	472492!	503908	C-R	450275	503909	C-R	471821!
5039	TIMKE	5039	503909	C-R	471821!	50391	CLARK	473229
503908	C-R	450275	503912	C-R	474264	503913	C-R	473442!
503909	C-R	471821!	503916	C-R	450274	503917	C-R	473232!
50391	CLARK	473229	503917	C-R	473232!	503924	C-R	473225!
503912	C-R	474264	503924	C-R	473225!	503925	C-R	470596
503913	C-R	473442!	503925	C-R	470596	50393	CLARK	471765!
503916	C-R	450274	50393	CLARK	471765!	503936M1	MASSE	JV1166
503917	C-R	473232!	503939M1	MASSE	200851	50394	CLARK	471835!
503924	C-R	473225!	50394	CLARK	471835!	50394	SPG	473227
503925	C-R	470596	50394	SPG	473227	503946	C-R	472018
50393	CLARK	471765!	503946	C-R	472018	503949	C-R	472029
503936M1	MASSE	JV1166	503949	C-R	472029	50394S	SPG	473227
503939M1	MASSE	200851	50395	NOK	710262	50395	NOK	472354!
50394	CLARK	471835!	50395	SPG	472354!	50395	SPG	472354!
50394	SPG	473227	503954	C-R	412040	503954	C-R	412040
503946	C-R	472018	503955	C-R	7216	503955	C-R	7216
503949	C-R	472029	50395S	TIMKE	472354	50396	NOK	710263
50394S	SPG	473227	50396	NOK	710263	503961	C-R	412871!
50395	NOK	710262	503965	C-R	470605!	503966	C-R	413248
50395	SPG	472354!	503966	C-R	413248	503974	C-R	415302
503954	C-R	412040	503965	C-R	470605!	503979	C-R	415449!
503955	C-R	7216	503966	C-R	413248	50398	SPG	450398
50395S	TIMKE	472354	503966	C-R	413248	50398	SPG	471267!
50396	NOK	710263	503974	C-R	415302	503981	C-R	417073
503961	C-R	412871!	503979	C-R	415449!	503982	C-R	415001!
503965	C-R	470605!	50398	SPG	450398	503986	C-R	416273!
503966	C-R	413248	50398	SPG	471267!	503987	C-R	415988
503974	C-R	415302	50398	SPG	471267!	503988	C-R	415458!
503979	C-R	415449!	50398S	SPG	471267!	50398S	SPG	450398
50398	SPG	450398	50398S	SPG	471267!	50398S	SPG	471267!
50398	SPG	471267!	50398S	SPG	471267!	503993	C-R	415988
503981	C-R	417073	50398S	SPG	471267!	503993	C-R	415988
503982	C-R	415001!	50398S	SPG	471267!	503997	C-R	416865!
503986	C-R	416273!	50398S	SPG	471267!	503998	C-R	416865!
503987	C-R	415988	50398S	SPG	471267!	504	UNIVE	415645!
503988	C-R	415458!	50398S	SPG	471267!	504	UNIVE	455104
50398S	SPG	450398	50398S	SPG	471267!	50400	SPG	450400
50398S	SPG	471267!	50398S	SPG	471267!	504003	ROSS	472560N!
503993	C-R	415988	50398S	SPG	471267!	504004	C-R	415082
503993	C-R	415988	50398S	SPG	471267!	504004	ROSS	474278!
503997	C-R	416865!	50398S	SPG	471267!	504005	ROSS	323138!
503998	C-R	416865!	50398S	SPG	471267!	504006	ROSS	474276
504	UNIVE	415645!	50398S	SPG	471267!	504007	ROSS	450400
504	UNIVE	455104	50398S	SPG	471267!	50400S	SPG	450400
50400	SPG	450400	50398S	SPG	471267!	504010	C-R	55469
504003	ROSS	472560N!	50398S	SPG	471267!	504012	C-R	410496!
504004	C-R	415082	50398S	SPG	471267!	504014	C-R	411245!
504004	ROSS	474278!	50398S	SPG	471267!	504015	C-R	415483!
504005	ROSS	323138!	50398S	SPG	471267!	504016	C-R	416664!
504006	ROSS	474276	50398S	SPG	471267!	504017	C-R	415001!
504007	ROSS	450400	50398S	SPG	471267!	504018	C-R	415001!
50400S	SPG	450400	50398S	SPG	471267!	50402	TIMKE	50402
504010	C-R	55469	50398S	SPG	471267!	504020	C-R	455079!
504012	C-R	410496!	50398S	SPG	471267!	504022	C-R	417343!
504014	C-R	411245!	50398S	SPG	471267!	504024	C-R	417344!
504015	C-R	415483!	50398S	SPG	471267!	504025	C-R	415960
504016	C-R	416664!	50398S	SPG	471267!	504026	C-R	415007
504017	C-R	415001!	50398S	SPG	471267!	50403	SPG	470774!
504018	C-R	415001!	50398S	SPG	471267!	504030	C-R	417134
50402	TIMKE	50402	5					

Zero Duplication or Recommended		Zero Duplication or Recommended		Zero Duplication or Recommended		Zero Duplication or Recommended	
Mfr. No.	Name	Mfr. No.	Name	Mfr. No.	Name	Mfr. No.	Name
50403S	SPG	470774!	50438	C-R	410524	50491	NATL
504046	C-R	415498	50438S	SPG	472299	50492	SPG
504047	C-R	415437	50441	SPG	471341!	50494	SPG
50405	TIMKE	50405	50441S	SPG	471341!	50496	C-R
504054	C-R	415035	50442	WHITE	410708	504949	C-R
504055	C-R	415035	504424	C-R	472409	504951	C-R
504062	C-R	415035	50444	SPG	471835!	504951	NAPCO
504062	C-R	415035!	504444	C-R	471765!	J1110=	
504066	C-R	455189	50444S	SPG	471835!	50496	SPG
504068	C-R	327303!	50445	TIMKE	50445	50496S	SPG
504069	C-R	455191	504451	C-R	414045!	50496S	SPG
504071	C-R	417357	50446	GARLK	471554!	5049B	JN-MN
504071	C-R	455192!	50446	SPG	450446	504V7	MARI
504076	C-R	417506	50447	C-R	417602!	505000	AT IM
504078	C-R	416891!	50449	SPG	471270!	505003	AT IM
50408	CLARK	471141!	504498	C-R	200110	505005	C-R
504081	C-R	416892	50449S	SPG	471270!	505009	C-R
504083	C-R	455251H	5045	C-R	471526=	505016	C-R
504086	C-R	417533	5045	C-R	471526	505018	C-R
504088	C-R	415047	504502	C-R	418029!	50502	SPG
504089	C-R	417525	504504	C-R	415351!	505020	C-R
50409	CLARK	471141!	50451	SPG	480630!	505022	C-R
50409	NATL	470409!	504516	C-R	417356!	505037	C-R
504091	C-R	455251H	504516	C-R	455188	505040	C-R
504095	C-R	415351!	50452	SPG	473197	505040	C-R
504099	C-R	417269!	50452S	SPG	473197	505051	C-R
504100	C-R	417273	50453	SPG	473224!	505055	NAPCO
504104	C-R	6465	50453S	SPG	473224!	J1112	
50412	SPG	450412	50455	SPG	472319	505073	C-R
504123	C-R	418028	504554	C-R	415142	505089	C-R
504123	C-R	455137!	50456	SPG	450456!	505125	C-R
504124	C-R	475348N	50457	SPG	450457	505143	C-R
50413	NATL	353132	50457S	SPG	450457	50516	SPG
504132	C-R	471549!	50458	GARLK	471567!	505161	C-R
5041320	GMC	471466!	504592	C-R	473179	50519	SPG
50414	SPG	472311!	5046	C-R	471526!	50519S	SPG
50415	CLARK	470898!	50461	SPG	473440	5051B	JN-MN
50415	SPG	450415	50461S	SPG	473440	50520	SPG
50417	CLARK	410694!	50463	SPG	450463	50520S	SPG
504173	C-R	450666	504631	SPICE	473215!	50521	CLUMMI
504191	C-R	471504!	504632	SPICE	472636!	50521	OLIVE
50421	SPG	450765!	504636	MAGNA	471554!	50521S	SPG
504221	C-R	473245!	504637	MAGNA	471224!	50522	GEHL
504223C1	IH	473474=	504637	UNIVE	417546!	50522	SPG
504223C1	IH	413247=	504638	MICH	417546!	505222	C-R
504231	C-R	410102	50464S	TROS	6855N=	505227	C-R
504232	C-R	470530!	50467	SPG	450467	50522S	SPG
504237	C-R	471649!	50468	TIMKE	50468	50523	SPG
504238	ALLCH	471762!	50469	SPG	481537	50524	OLIVE
504238	C-R	413246	50470	SPG	472810!	505248	C-R
504239	ALLCH	473234	50470S	TIMKE	472810	50525	NATL
504239-C1	IH	471267!	50472	SPG	450472!	50527	SPG
50424	CUMMI	473228	50472S	SPG	450472!	50528	TIMKE
50424	OLIVE	473228	50474	SPG	450474	50529	SPG
50424	WHITE	473228	50476	NATL	471344	50529	SPG
504251	C-R	5924	504781	C-R	6936S	50530	SPG
504252	C-R	471413	50479	SPG	473445	505302	C-R
504258	C-R	473231	50479S	SPG	473445	505308	C-R
50427	GARLK	470954!	50479SA	SPG	473445	505308	C-R
504281	C-R	710028	50479SA	Y-T	473445	505310	C-R
504285	C-R	710030	50480	SPG	323138!	505317E	OLIVE
50430	SPG	450430	50480S	NATL	323138!	50532	SPG
504301	C-R	455019!	50482	SPG	450482	505322E	OLIVE
504303	C-R	471354!	50482S	SPG	450482	50533	SPG
50431	SPG	471539!	5048340	AMC	5759=	50534	SPG
50431S	SPG	471539!	50485	SPG	411330!	50535	SPG
504326	C-R	7607	50487	SPG	470487!	50535	SPG
50433	GEHL	471539!	50487S	SPG	470487!	505377	C-R
50433	SPG	471138!	50489S	SPG	473244	50539S	SPG
504332	GMC	6064				5053B	JN-MN
50433S	SPG	471138!				50540	SPG
50435	NATL	350435				505409	C-R
						50541	SPG
						505412	C-R
						50543	SPG
						505434	C-R
						50545	SPG
						5054601	CALI
						480491	
						450492	
						472164!	
						472572!	
						415284	
						471532	
						J1110=	
						410496!	
						481864	
						417546!	
						410496!	
						50496	
						410496!	
						481864	
						417546!	
						417349	
						352541	
						330385!	
						471538	
						471192	
						473231!	
						474260	
						8362	
						470898!	
						5499=	
						6966S	
						471538	
						J1112	
						473459	
						331173	
						472157	
						331301N	
						450516	
						40059S	
						471271!	
						471271!	
						415458!	
						471272!	
						471272!	
						472164!	
						472185!	
						473423	
						472258!	
						472258!	
						340815	
						472258!	
						450523	
						473228	
						342805	
						471887	
						474276!	
						50528	
						450984	
						470530!	
						240151	
						40555	
						40555S!	
						415437	
						455820	
						450532	
						455079!	
						450533	
						471255!	
						450535	
						471264!	
						471413!	
						414268!	
						417511	
						450540	
						7338N	
						471689!	
						8059S	
						474272	
						340787	
						450545	
						416666	
						455330!	
						470625!	
						415295	
						470565!	
						470565!	
						415960!	
						450557	
						471255!	
						50560	
						100696	
						418028	
						471267!	
						471267!	
						50568	
						473448	
						40301S	
						473239	
						50569	
						472299	
						473461!	
						450307	
						473474	
						473238	
						472636!	
						412027	

Zero Duplication or Recommended		Zero Duplication or Recommended		Zero Duplication or Recommended		Zero Duplication or Recommended					
Mfr. No.	Name Industrial	Mfr. No.	Name Industrial	Mfr. No.	Name Industrial	Mfr. No.	Name Industrial				
506193	C-R	471413!	50670	C-R	471526!	5070	TIMKE	5070301	C-R	473237!	
506194	C-R	471267!	50670	C-R	7378	507001	C-R	471567!	507309	C-R	471760
506198	C-R	9376	506708	C-R	416404!	507008XX	TIMKE	50X70X8	507310	C-R	471762!
5061LA	JN-MN	476838!	506723	C-R	476470=	507009E	MINNM	471570!	507312	C-R	471763
5062	C-R	471526!	506726	C-R	456105	507009XX	TIMKE	50X70X9	507315	C-R	471764!
506207XX	TIMKE	50X62X7	506731	C-R	415899N	507048	C-R	476470	507316	C-R	471765
506245	C-R	7188S	506731	C-R	416624	507052	C-R	415995!	507322	C-R	473424!
50625	SPG	470625!	506733	C-R	455144	507052	C-R	415995!*	507334	C-R	473212!
506255	C-R	331107N	506742	C-R	417354!	5070888	EATON	415938	507336	C-R	450604
50625SA	TRSCM	416865	506746	C-R	415437	5070888	Y-T	415938	507339	C-R	473212!
50625TA	TRSCM	416865!	506747	C-R	415437	5071	TIMKE	5071	507353	C-R	6489
50626S	SPG	413248	506747	C-R	415437!	507108	C-R	320457	507358	C-R	473454
5062MG	GOODM	415035	506754	C-R	455032!	507114	C-R	472705!	507360	C-R	451845
5062MG	GOODM	415035!	506755	C-R	415025	507118	C-R	240119	507361	C-R	471760
50631	TIMKE	50631	506759	C-R	415027!	507124	C-R	471532	507364	C-R	471808!
506314	C-R	340413	506759	C-R	415027	507126	C-R	471466	507365	C-R	472164!
506315	C-R	240414	50675TA	TRSCM	417542	507132	C-R	471530	507367	C-R	470565!
50633	SPG	471276	506778	C-R	340823	507133	C-R	471530	507368	C-R	472150
50634S	SPG	472475	50678	GARLK	471267!	507139	C-R	470004!	50737	SPG	410737!
50635TA	TRSCM	417278	506789	C-R	455336	507140	C-R	470004!	507373	C-R	472016
506379	C-R	472234	50679	NATL	470954!	507149	C-R	471264	50737S	SPG	410737!
50639	SPG	450639	506791	C-R	471103!	50715	GARLK	471646!	507382	C-R	450621
506391	C-R	7013S	506797	C-R	240435	50715	GMC	470530!	507390	C-R	473464
50640	C-R	7376=	506798	C-R	240435	507156	C-R	471535!	507394	C-R	473462
506438	C-R	474278!	506799	C-R	474279N	507160	C-R	473405	507397	C-R	5836
506438	C-R	6859S	5068	C-R	471526!	507169	C-R	240023	507424	C-R	415138!
50644	GMC	416273!	5068	TIMKE	5068	507171	C-R	471255!	507431	C-R	472287!
50645	C-R	455290	506800	C-R	472810!	507173	C-R	471558	507442	C-R	473427
50645	SPG	470645	506803	C-R	416865!	507174	C-R	471558	507445	C-R	416476!
506454	C-R	3095	506806	C-R	417362!	507182	C-R	481650	507455	C-R	7780
506456	C-R	471526!	506808XX	TIMKE	50X68X8	507183	C-R	481650	507478	C-R	472560N!
50645TA	TRSCM	417541	506813	C-R	416229	507184	C-R	471651	507482	C-R	450307
506486	C-R	472354!	506830	C-R	413469!	507185	C-R	471651	507493	C-R	5797
5065	TIMKE	5065	506832	C-R	410102	507186	C-R	471651	507505	C-R	470712!
50650	C-R	455290*	506837	C-R	416271!	507188	C-R	40328	507507	C-R	470682
506508	C-R	417159	506838	C-R	412861	507193	C-R	470606!	507507XX	TIMKE	50X75X7
506508XX	TIMKE	50X65X8	506839	C-R	455536	5072	TIMKE	5072	507510A	HARWA	50X75X10
506517	C-R	416654	506844	C-R	410825	507203	C-R	471747!	507512XX	TIMKE	50X75X12
506524	C-R	416956	506847	C-R	411253!	507206	C-R	203003	507548	C-R	415379
506532	C-R	417171!	506849	C-R	410102	507208XX	TIMKE	50X72X8	507550	C-R	417518
506536	C-R	455356	506851	C-R	5756	507209	C-R	204005	507551	C-R	474272*
506551	C-R	417490	506852	C-R	5877	507211	C-R	471705!	507551	C-R	474272
506553	C-R	417172	506855	C-R	473453	507218	C-R	471689	507558	C-R	455249!
506555	C-R	55141	50686	SPG	410987!	507223	C-R	473203	507564	C-R	473235
506558	C-R	416919	50686	SPG	450686	507224	C-R	50462	507576	C-R	417601
506559	C-R	415991	506860	C-R	471141!	507226	C-R	473426	507579	C-R	417542
506559	C-R	455146!	506863	C-R	472924!	507232	C-R	471733	507586	C-R	50026
506560	C-R	417501	506865	C-R	40370S	507243	C-R	471692!	507588	C-R	417555!
506562	C-R	6358	506867	C-R	40085S	507249	C-R	471442!	5076	C-R	5076
506564	C-R	320457	50687	GARLK	471570!	507250	C-R	471442!	5076	NATL	370008A
506565	C-R	455249!	506870	C-R	470530!	507251	C-R	471424!	5076	TIMKE	5076
506567	C-R	415437	5068773	GMC	471686	507252	C-R	472439	50760	TROS	1040=
506570	C-R	415379	506879	C-R	417492	507253	C-R	40071S	507609	C-R	7537S
506570	C-R	415379!	50688	NATL	410737!	507254	C-R	472439	507615	C-R	473463
506576	C-R	415023	506881	C-R	472157!	507257	C-R	50266	507618	C-R	416288!
506577	C-R	455026	506881	C-R	472157	507260	C-R	472185!	50764	NATL	470764!
506578	C-R	415394	506895	C-R	417497	507262	C-R	450068	507644	C-R	415116
5066	C-R	471526!	5069	C-R	471526!	507263	C-R	472319	5076546	GMC	470954!
5066	TIMKE	5066	5069	SPG	5092	507273	C-R	40360S!	507669	C-R	415995!
50660	SPICE	4434V	506904	C-R	413472	507275	C-R	473459	507669	C-R	415995!*
506615	C-R	471652	506911	C-R	472179	507277	C-R	450911N!	507686	C-R	473238
506625	C-R	471733	506927	C-R	481864	507278	C-R	472572!	507692	C-R	415116
506630	C-R	350364	50693	SPG	450693	507282	C-R	40183S!	507715	C-R	5113
506640	C-R	40576S	506944	C-R	8243	507283	C-R	472572!	507715	C-R	7721!
506654	C-R	480581	506945	C-R	205044	507284	C-R	473452	507718	C-R	415937!
506663	C-R	43089S	50695	SPG	473426	507291	C-R	473241	507718	MAGNA	472164!
506670	C-R	5113	506957	C-R	416921!	507293	C-R	472492!	507738	C-R	471684!
506670	C-R	7721!	506977	C-R	50560	507297	C-R	473179!	50776	SPG	450776!
506684	C-R	453279!	506986	C-R	455249!	507298	C-R	473179	507771	C-R	415379
50669	SPG	50199S!	506989	CHRY	471271!	507299	C-R	480281!	507771	C-R	415379!
50669	SPG	6863S!	506VB7	MARI	415645!	5073	TIMKE	5073	507799	C-R	473441
506697C1	IH	710006	506VB7	MARI	455104	50730	GARLK	470590	5078	SPG	AR25

! Industrial Size/Type * Minor Width Difference = Call 1-800-480-1212 for price and delivery.

Zero Duplication or Recommended		Zero Duplication or Recommended		Zero Duplication or Recommended		Zero Duplication or Recommended		
Mfr. No.	Name	Mfr. No.	Name	Mfr. No.	Name	Mfr. No.	Name	
50782	SPG	471195!	508798	C-R	472164!	5092400	CALI	415219
507837	C-R	45525S	508806	C-R	415995!	5092401	CALI	415219
50786	SPG	470334!	508807	C-R	472439	5092502	CALI	416154!
5078897	GMC	470954	508812	C-R	472409!	509261	C-R	471272!
507895	C-R	200880=	508824	C-R	470712!	509271	C-R	417488!
507945	C-R	416738!	508831	ALLCH	471785!	509277	C-R	472082
507945	C-R	450096	50883271	IG-RA	415725!	50929	SPG	473237!
507986	C-R	473447	508835	C-R	471272!	5092LA	JN-MN	471763
5079B	JN-MN	455022	508856	C-R	473010!	5093	SPG	32X45X7
507VB7	MARI	415938	508884	C-R	471766	5093109	SCOT	471255!
508	UNIVE	416107!	508886	C-R	471138!	50934	ONAN	471442!
508	UNIVE	455073	508894	C-R	50883=	5093400	CALI	415036
50800	SPG	480889	5089	C-R	471526!*	5093403	CALI	416892!
508008XX	TIMKE	50X80X8	5089	NATL	417506	5093407	CALI	7354N
508023	C-R	6241S	5089	TIMKE	5089	509348	C-R	8133S
50803	SPG	450803	5089	WOODB	471762!	509367	C-R	473231!
50806S	SPG	478066	508944	C-R	472016	509389	C-R	8293S
508075	C-R	331107N	508946	C-R	42763	509406	C-R	473228!
50808	SPG	450808	508979	C-R	8610	509407	C-R	473367
5081	FULLE	416921!	508982	C-R	6638S	509408	C-R	473245!
508114	C-R	331228H	5089821	EATON	331228H	509410	C-R	472397!
508116	C-R	472258!	5089OSR	JN-MN	455406!*	509411	C-R	472636!
508162	C-R	470625!	508VB7	MARI	417556	509414	C-R	417316!
508180	CLARK	472179	5090	C-R	471526!*	509415	C-R	415995!
50819	SPG	450819	50900111	ONAN	473227=	509416	C-R	476470
5081B	JN-MN	415023	50900112	ONAN	472572=	509416	C-R	476470!
5082	TIMKE	5082	5090012	ONAN	450188	509417	C-R	415991
508212	C-R	472409	5090016	ONAN	472287!	509417	C-R	415991!
508223	C-R	417606	5090045	ONAN	471766!	509418	C-R	415035
5082B	JN-MN	455008*	5090046	ONAN	471442!	509420	C-R	416865!
508342	C-R	473449	5090058	ONAN	450269	509445	C-R	472492!
50835610	TROS	370033A	5090059	ONAN	471554!	509449	C-R	415437
50839D	IH	473367	509006	C-R	470334!	50945	ONAN	471766!
50840010	TROS	417356!	509006	C-R	50289	50946	ONAN	471442!
50840010	TROS	455188	5090064	ONAN	470605=	509465	C-R	415449!
508432	C-R	9150S	5090086	ONAN	472572=	5095	C-R	471526!*
508450	C-R	417485	5090087	ONAN	473227=	5095	TIMKE	5095
5084SH	JN-MN	471466*	509008XX	TIMKE	50X90X8	50950	ONAN	470954
5084SS	JN-MN	471466!	5090097	ONAN	472258	509505	C-R	7186S
5085	C-R	471526!	5090098	ONAN	473197	509516	C-R	412119!
508508XX	TIMKE	50X85X8	509010A	HARWA	50X90X10	509526	C-R	417316
508513	C-R	415294!	509010XX	TIMKE	50X90X10	509529	C-R	471744!
508513B	HARWA	50X85X10	5090138	ONAN	472179	509546	C-R	416292=
508513C	HARWA	50X85X10	5090139	ONAN	471747	509550	C-R	416557
508520	C-R	415041	5090300	CALI	415991	509554	C-R	415449!
508533	C-R	471539!	5090300	CALI	455146!	509556	C-R	415458!
508539	C-R	471391!	509035	C-R	472070	50957	ONAN	471766!
508561	C-R	417196!	509046	C-R	4717495	509578	CATER	473245!
508575	C-R	6759S	509053	C-R	418028	50958	ONAN	450269
508584	C-R	474253	509083	C-R	7014S	509580	C-R	415263
508587	FWD	415449!	50910	ONAN	472560N!	509584	C-R	55532=
50860	TROS	471571	50911N	SPG	450911N!	50959	ONAN	471554!
50861	TROS	1037	509120	C-R	473211!	50960	ONAN	470954
508613	C-R	472179	50912S	SPG	473231	509621	C-R	473475
508615	C-R	472164!	509134	C-R	8139	509623	C-R	415379
50862	OLIVE	472924!	509144	C-R	471264!	509636	C-R	415857!
50865	AM WH	471766!	509154C91	IH	370057A	509648	ALLCH	471801!
508650	MICH	415645!	509164	C-R	417600	50965	HYST	472157!
508650	MICH	455104	509166	C-R	450084!	50965	HYST	472157
508650	UNIVE	415645!	50917	ONAN	470605!	509656	C-R	415045!
508650	UNIVE	455104	509172	C-R	416282	509669	C-R	6644
508657	C-R	472258!	509174	C-R	415960	509699	C-R	415035
50867S	SPG	470898	509178	C-R	472394	509719	C-R	473367!
50868	SPG	473203	509179	C-R	417079	509721	C-R	415960
50869	SPG	450869	50919	ONAN	471272!	509722	C-R	416339
5086LA	JN-MN	412871!	5091933	O-M	471224!	509722	C-R	455031!
508704	C-R	471827!	5091933	SCOT	471224!	509723	C-R	415027!
508709	C-R	417484!	5092	NATL	3698	509723	C-R	415027!
508761	C-R	471192	5092	TIMKE	5092	509735	C-R	7044NA
50878	HYST	473238	509203	C-R	416888!	509737	C-R	451857
508793	C-R	417355!	509217	C-R	473229!	509738	C-R	55028
508793	C-R	485497	509235	C-R	472144!	5098	ONAN	330385

! Industrial Size/Type * Minor Width Difference = Call 1-800-480-1212 for price and delivery.

NUMERICAL

Zero Duplication or Recommended		Zero Duplication or Recommended		Zero Duplication or Recommended		Zero Duplication or Recommended		
Mfr. No.	Name	Mfr. No.	Name	Mfr. No.	Name	Mfr. No.	Name	
511162	C-R	415076	5116476 GMC	480581=	512345 C-R	203012	512937 C-R	42101S
511163	C-R	415077	511687 IH	470954!	512346 C-R	203016	512938 C-R	417344!
511164	C-R	415482	511694R91 IH	450044	512348 C-R	203025	512946 C-R	8996S=
511165	C-R	55228=	5117 TIMKE	5117	512349 C-R	203029	512976 C-R	47347=
511166	C-R	417570	511714 CLARK	416271=	51235 CLARK	240119	512989 C-R	417254
511167	C-R	415128	511716 ALLCH	471413!	5123500 CALI	50631	512993 C-R	41075S
511168	C-R	416239!	51172V IH	470059	5123501 CALI	412943	5129B JN-MN	471192
511169	C-R	455129	51172V IH	470380!	512366 C-R	470774!	5130 NATL	415937
51117	GARLK	471692!	5117401 WHITE	415185H=	5123802 CALI	416008	513071 C-R	417247!
511170	C-R	55222=	511741 C-R	471765!	5124 TIMKE	5124	513073 C-R	40576S
511171	C-R	415871	511752 C-R	473442!	51240 C-R	416557	513090 C-R	353132
511172	C-R	203003	511753 C-R	472018	512415 C-R	417343!	513096 C-R	450655=
511173	C-R	417604	51176 CLARK	472185!	5124200 CALI	417604	513097 C-R	472924!
51117N	SPG	451117N=	511775 C-R	470954!	512427 C-R	412119!	5131 TIMKE	5131
511181	C-R	415043	5117983 GMC	470954!	51244 C-R	417511	513106 C-R	416664!
511182	C-R	417512	5118 SPG	5095	51245 C-R	417258	513108 C-R	40769S
511183	C-R	415138!	5118 TIMKE	5118	512452 C-R	471766!	5131329 GMC	470625!
5111883	GMC	53809S	51180 C-R	130X170X15	51246 GARLK	471766!	51314 CLARK	473446
5111S	TIMKE	5111S	51180 SPG	471707N	512468 C-R	417316!	513159 C-R	471652
512	TIMKE	5112	511809 C-R	471649!	51247 C-R	416557	513160 C-R	476838!
511210	C-R	471141!	51181 C-R	130X150X15	51247 IRON	5759=	513162 C-R	472082
511211	C-R	471504!	51182 C-R	130X150X10!	51248 C-R	417546!	5131698 GMC	416271!
511212	C-R	450143	51182 C-R	710380	512487 C-R	5589	51319 CLARK	416271!
511213	C-R	412871!	51182 SPG	451182	512495 C-R	471442!	513195 C-R	416921!
511215	C-R	417498	511827 C-R	8477S	5125 C-R	471472!	513211 C-R	471231!
511230	C-R	410496!	511839 C-R	415960	5125 NATL	4148	51322 TIMKE	51322
51125	C-R	130X160X12	511839 C-R	415960!	51250 C-R	417546!	513245 C-R	473215!
51126	C-R	130X160X12V	51185 C-R	130X170X12V	512503 C-R	6590S	513280 C-R	471267!
51128	GARLK	470712!	511864 C-R	472409!	51251 C-R	417546!	51329 TROS	415876
5112808	EATON	472439	511867 C-R	472354!	512516 C-R	472311!	513290 C-R	41257!
511289	C-R	204020	511871 C-R	8460N	51252 C-R	417258	5132909 GMC	471649!
511289	C-R	204505!	511878 ALLCH	472070	51253 C-R	417258=	5132SS JN-MN	481650
511297	CLARK	415025=	511895 C-R	472144!	51254 CLARK	471192	5133 C-R	471472!
5112S	TIMKE	5112S	5118SS JN-MN	254287*	512550 C-R	416102	5133 TIMKE	5133
5113	TIMKE	5113	5119 TIMKE	5119	512562 C-R	484058	5133000 CALI	455005
51130	C-R	130X160X12!	511922M91 MASSE	5550=	512586 C-R	200642	513320 MAGNA	471442!
511306	C-R	473010!	51195SA SPG	471195!	5126 C-R	471472!	513341 C-R	417543
511307	C-R	415449!	511974 C-R	415137!	5126 TIMKE	5126	513368 C-R	416149
511311	C-R	416229	511974 C-R	418028	51262 GARLK	471795	5133852 GMC	415284
511314	C-R	417343!	511D5 DIA	416654	51262 TROS	471787	5134 C-R	471472!
511327	C-R	7934S	511D5 WHITE	416654	512630 C-R	476470	51343 CLARK	471821!
511344	C-R	205015	511D6 WHITE	5405	512655 C-R	100495	5134336 GMC	482253=
51135	C-R	130X160X12!*	511H BRAD	472439	512655 C-R	417349	5134351 GMC	471652
511377	C-R	472843	511VB7 MARI	417542	512657C1 IH	416158	513442 C-R	417602!
51138	GARLK	471763	512 UNIVE	416666	512657C1 NAVST	386025A	513456 C-R	473228
51139	CLARK	471766!	51201 TRANS	3543	51265S SPG	412725	513470 C-R	415995!
5114	NATL	2146	51201 TROS	5453	512662 UNIVE	415938	513472 C-R	6575S
51140	C-R	130X170X12	512024 C-R	481073	512663 MICH	415938	51348 GARLK	472258!
511401	C-R	481792	512038 C-R	480630	51270 C-R	417546!	5134924 GMC	482069N
51143	C-R	130X170X15!	512060 C-R	415991	5127119 GMC	471689!	513513 C-R	473211
51143	CLARK	471765!	512060 C-R	415991!	5127119A GMC	471689!	513557 C-R	471646!
5114335	GMC	415284	5121 TIMKE	5121	5127238 EATON	410308!	51356 CLARK	240319
51143S	SPG	451143	512112 DISOG	710042	512723800 EATON	410308!	51357 CLARK	471141!
511448	C-R	5126	512159 C-R	415371	512726 VICK	44052	5135820 GMC	1041
51147H	SPG	472164	5121601 CALI	415577	51275 C-R	417547	513592 C-R	450593!
5114802	GMC	455956H	512162 C-R	415995!	51276 C-R	417547	5135SS JN-MN	471472!
511493	CLARK	410825=	51220 CLARK	417267	5127821 CUMMI	415284	51360 GARLK	471192
5115	TIMKE	5115	512215 C-R	415991	5128 NATL	710077	513600 C-R	473237!
51150	CLARK	472636!	512215 C-R	455146!	512806 C-R	417602!	51364 CLARK	470712!
511523	C-R	417514	512224 C-R	471272!	512810 C-R	9015S	513656 C-R	476470!
51153	SPG	410825	51224 GARLK	471413!	51282 WAYNE	415263	513656 C-R	476470
511537	C-R	7537S	512277 C-R	473238!	512830 GERL	472924!	513677 C-R	353135
511542	Y-T	415064	51228D IH	415371	512839 ALLCH	473211!	513677 C-R	474278!
5115454	GMC	417344	512297 C-R	8429S	512840 ALLCH	473214!	51368 GARLK	473214!
5116	TIMKE	5116	5123 TIMKE	5123	512886R91 IH	45013S	513702 JNSON	482309
511622	C-R	412473!	512301 C-R	473367	512887R91 IH	40101S	51375 CLARK	472560N
5116224	GMC	473454	512304 C-R	471224!	5128B JN-MN	473462	513754 C-R	416865!
5116229	DETRO	B540502	512316 C-R	471495	5128LPD JN-MN	473462	513756 C-R	417158!
5116229	GMC	415035	51232 GARLK	471737	5128N TIMKE	5128N	513759 C-R	55353
511624	C-R	416332!	512322 C-R	55646*=	5129 NATL	5108	51376 WAUKE	472185!
51162N	SPG	473454	512328 C-R	415697!	512904 C-R	417548	513764 C-R	417020
511635	C-R	471554!	512328 C-R	455547	512920 C-R	6906S	513765 C-R	55224=

! Industrial Size/Type * Minor Width Difference = Call 1-800-480-1212 for price and delivery.

NUMERICAL

Zero Duplication or Recommended Industrial		Zero Duplication or Recommended Industrial		Zero Duplication or Recommended Industrial		Zero Duplication or Recommended Industrial					
Mfr. No.	Name	Mfr. No.	Name	Mfr. No.	Name	Mfr. No.	Name				
513767	C-R	415124	514580	C-R	321460	515410	C-R	8695S	51611176-05-005	ALLCH	472185!
51377	CLARK	472636!	5145LA	JN-MN	450311	5154224	GMC	471076	51611176-05-011	ALLCH	415082
513773	C-R	417549!	5145LUP	JN-MN	450311	5154314	GMC	416271!	51611176-05-012	ALLCH	411394!
513775	C-R	417554!	5146	TIMKE	5146	5154315	ALLCH	416271!	51611176-05-013	ALLCH	473243
513776	C-R	415072	51460	CLARK	473238	5154315	GMC	416271!	51611176-06-002	ALLCH	471705!
513778	C-R	417526	514612	C-R	8660S	515440	ALLCH	474278!	51611176-06-003	ALLCH	471766!
513779	C-R	476470	51462	GARLK	470625!	51546	CLARK	472258	51611176-06-004	ALLCH	473016!
51378	GARLK	473215!	514645	C-R	471567!	5154791	GMC	415284	51611176001	ALLCH	471646!
5137SH	JN-MN	350364	51466	MASTE	473427	51548	CLARK	472258	51611176006	ALLCH	471795
513802	C-R	6356	514670	C-R	473459	5154LA	JN-MN	473214	5161117605001	ALLCH	471646!
513804	C-R	5070	514680	ALLCH	472924!	5155226	GMC	472572!	516169	C-R	470565!
513805	C-R	416271!	514693	GMC	417967!	51553	AM WH	417316!	516222	C-R	9569S
51382	CLARK	471554!	514697	C-R	473237!	5155300	CALI	416107!	51625TA	TRSCM	417258
51383	CLARK	471765!	51472	GARLK	470380!	5155300	CALI	455073	516285	C-R	415035
51384	CLARK	473205	514728	C-R	417487!	5155445	GMC	470059	516285	C-R	415035!
51384SA	SPG	480581	514728	C-R	417487	5155445	GMC	470380!	516291	C-R	291099
51385	CLARK	471766!	5147LA	JN-MN	417596	5155462	GMC	470625!	5163	C-R	471549!
51386	CLARK	470059	514810	C-R	470954!	5155621	GMC	471224!	5163	TIMKE	5163
51386	CLARK	470380!	51482	MASSE	474265	5155786	GMC	455144	516302C1	IH	456618
51387	CLARK	473446	51482	MASTE	474265	51558	CLARK	470059	51632408	TROS	416327
513870	C-R	472157	5148314	GMC	473454	51558	CLARK	470380!	516325	C-R	415072
513870	C-R	472157!	514860	C-R	9568	515589	C-R	200371	516339	C-R	410496!
5138710	GMC	483054N	514898	C-R	5711	51558R2	IH	6532S =	51633D	IH	415991
5138796	GMC	470898 =	5148LA	JN-MN	455290*	5156309	GMC	450593!	51633D	IH	455146!
51388	CLARK	416271!	5148LPD	JN-MN	455290	515641	C-R	471271!	51635607.5	TROS	417366!
51389	CLARK	471141!	51492	GARLK	473228!	515644	C-R	417621!	516361	C-R	8974S
5138SS	JN-MN	471558*	51492D	IH	473421	51566	GARLK	473230!	516393	GERL	416892!
5139	C-R	471472 =	51492DA	IH	473421	515666	C-R	8705S	5164	C-R	471549!
513915	VICK	455858	51492L	IH	473421	515667	C-R	415995*	51640010	TROS	417357
5139189	GMC	JX1505 =	51494DA	IH	472924	515667	C-R	415995!	51640010	TROS	455192!
51392	CLARK	473228	514953	C-R	416154!	515672	C-R	415035	51640808	TROS	415142
5139484	GMC	417365 =	514955	C-R	416666	515713	C-R	472636!	51641208	TROS	455194
5139505	GMC	472164!	514963	GMC	417967!	5157518	GMC	415284	5164157	GMC	416921!
5139585	GMC	416229 =	51498	GARLK	473228!	5157536	GMC	473467	51641607.5	TROS	472157!
51397	CLARK	473214!	514989	C-R	472409!	5157574	GMC	471134	51641607.5	TROS	472157
513984	C-R	471271!	5149LA	JN-MN	471466!	51576	GARLK	473231!	51641608	TROS	472157!
514	UNIVE	416476!	515	C-R	5MR71	5157948	GMC	471646!	51641608	TROS	472157
5140	C-R	471472!	5150	C-R	471549	5158063	GMC	472924!	516445	C-R	416865!
51403	TROS	6818	5150	C-R	471549*	51583S	SPG	451583!	5164463	GMC	412473
5140SS	JN-MN	456744N	51501S	TROS	415449!	5158446	GMC	471787!	5164468	GMC	417191
5141	C-R	471472!	5150220	GMC	483054N	515847	C-R	472185 =	5164468	GMC	456585
5141050	GMC	418028	51503S	TROS	473234	51585	CLARK	472560N	5164474	GMC	471766!
5141050	GMC	455137!	515071	C-R	8597S	515878	C-R	473426	516453	C-R	416239!
51412	CLARK	472015!	5150790	GMC	471765!	515886	C-R	415995!	516507XX	TIMKE	51X65X7
51413SA	SPG	471413!	5150791	GMC	471647	515886	C-R	415995*	51645S	JN-MN	471833*
514151	C-R	470954!	5150846	GMC	415284	515887	C-R	415001 =	516507XX	TIMKE	51X65X7
514159	C-R	473228!	5150863	GMC	472924!	51590	GARLK	473010!	5165357	GMC	415284
514170	C-R	416339	515098	C-R	471649!	515920	C-R	415072	5165359	GMC	415284
514251	C-R	472164	5150SS	JN-MN	472311!	515933	C-R	471272!	516553	C-R	6612S
5142678	GMC	415327 =	5151090	GMC	417485	515956	C-R	471231!	516563	C-R	415483
5142R	JN-MN	415034!	5151392	GMC	417344!	51598	GARLK	473232!	516564	C-R	472015!
514300	C-R	340835	5151SH	JN-MN	481537*	515991	C-R	450593!	51657301-001	ALLCH	415458!
5143108	GMC	417344 =	5151SS	JN-MN	481537	516015	C-R	473225!	51657301-001-003	ALLCH	415458!
514321	C-R	8168 =	515231	C-R	472354!	516019	C-R	472287!	51657301-002	ALLCH	416345!
514322	C-R	451182	51524	CLARK	472810!	516025	C-R	8940S	51657301-002	ALLCH	455033
514323	C-R	484054	515242	C-R	471643!	516073	C-R	471138!	51657301-003	ALLCH	455134!
51435	NATL	484054	515282	C-R	410059	516080	C-R	1097N	51657301-004	ALLCH	412871!
51435	WMG	484054	515282	C-R	470380!	5161028	GMC	471570!	51657301-005	ALLCH	416288!
5143R	JN-MN	417273	515283	C-R	472299	51611176-002	ALLCH	471705!	51657301-008	ALLCH	451948
514412	C-R	5578	5152LA	JN-MN	471466!	51611176-004	ALLCH	473016!	51657301-009	ALLCH	471764!
51443SA	SPG	481443!	5152LUP	JN-MN	471466!	51611176-005	ALLCH	472185!	51657301-010	ALLCH	472144!
51446	MASTE	473427	5153	C-R	471549!	51611176-007	ALLCH	472475	51657301-011	ALLCH	415035
51448	MASTE	471567!	515308	C-R	350936	51611176-008	ALLCH	417349	51657301-011	ALLCH	415035!
514481	C-R	415991	515328	C-R	415458!	51611176-009	ALLCH	471647	51657301-013	ALLCH	415725!
514481	C-R	455146!	5153373	GMC	417344!	51611176-010	ALLCH	415991	51657301-016	ALLCH	415991
51449	MASTE	473215!	515355	C-R	471354!	51611176-010	ALLCH	455146!	51657301-016	ALLCH	455146!
5144LUP	JN-MN	412028	5153560	GMC	415284	51611176-011	ALLCH	415082	51657301-019	ALLCH	417344!
514518	C-R	415483	515378	C-R	3804S =	51611176-012	ALLCH	411394!	51657301-020	ALLCH	472258!
514523	C-R	415960	5153SH	JN-MN	40169S*	51611176-013	ALLCH	473243	51657301-03-009	ALLCH	471764!
51454	GARLK	473227!	5153SS	JN-MN	473214!	51611176-05-002	ALLCH	471705!	5165730100100	ALLCH	415458!
51455	CLARK	472636!	5154	C-R	471549!	51611176-05-003	ALLCH	471766!	516578	C-R	473317
514551	C-R	8594S	515400	C-R	415991 =	51611176-05-004	ALLCH	473016!	5165958	EUCLD	471442!

! Industrial Size/Type * Minor Width Difference = Call 1-800-480-1212 for price and delivery.

Zero Duplication or Recommended		Zero Duplication or Recommended		Zero Duplication or Recommended		Zero Duplication or Recommended	
Mfr. No.	Name	Industrial	Mfr. No.	Name	Industrial	Mfr. No.	Name
5165958	GMC	471442!	517658	C-R	204002	5187	SPG
5166	TIMKE	5166	517663	C-R	416229	5187281	GMC
5166003	GMC	415449!	517676	JN-MN	480210!	5187281	GMC
516607	C-R	470625!	517716	CATER	415041	51875	MASTE
516618	C-R	472492!	517753	C-R	416339	518753	C-R
5166226	GMC	415284	517774	C-R	6818	518754	C-R
516624	C-R	415449!	5177786	GMC	481203N=	518761	C-R
516626	C-R	410694!	517794	C-R	9342S	5188	TIMKE
51662S	SPG	471649!	517804	C-R	6597S	518820	C-R
516642	C-R	416654!	5178040	C-R	6597S	518821	C-R
516650	GERL	473463	5178219	GMC	350364	518821R91	IH
516675	MICH	416107!	517848	C-R	7896S	5189	TIMKE
516675	MICH	455073	517859	C-R	415351!	518925	GMC
516675	UNIVE	416107!	517884	C-R	8835S	518FF2-L	C-R
516675	UNIVE	455073	5178989	GMC	415284	5190	ROTO
5166SH	JN-MN	470954!	5179	C-R	471549!	519019	C-R
5166SS	JN-MN	470954!	5179506	GMC	481163!	51901S	TROS
5167	TIMKE	5167	517957	C-R	416654	519042	ALLCH
516795	C-R	415458!	517998	C-R	415449	5190707	GMC
5168	TIMKE	5168	5179985	GMC	455956H	5190707	GMC
516805	WAUKE	415198H=	5180	C-R	471549!	5191189	GMC
516811	C-R	5406	5180093	GMC	75251S	5191190	GMC
516839	C-R	370005A	518012	C-R	415725!	5191214	GMC
516851	C-R	416239!	51802	GARLK	472439	5191214	GMC
5168647	GMC	416125!	5180285	GMC	472016	519130	C-R
516880	C-R	473234!	5180521	GMC	410694!	5191600	GMC
5169	TIMKE	5169	518055	C-R	5313	5191707	GMC
51690	GARLK	473237!	518055R91	IH	203003	5191708	GMC
516952	C-R	471567!	518056	C-R	480844	5191745	GMC
516963	C-R	7442H	51814	GARLK	472572!	5191843	GMC
5170	C-R	471549!	518230	C-R	473211!	5191923	GMC
5170	TIMKE	5170	518236	C-R	410308!	5191923	GMC
517013	C-R	8430S	5182365	GMC	472012	5191925	GMC
51704	GARLK	472164!	51826	GARLK	473238!	519194	C-R
517064	ALLCH	471224!	518301	C-R	7381S	519213	C-R
517077	C-R	415379	518321	C-R	473454	5192250	GMC
5170LA	JN-MN	415991	518336	C-R	472705!	5192267	GMC
5170LA	JN-MN	455146!	5183507	GMC	416888!	5192438	GMC
51714	GARLK	472185!	518369	C-R	8121S	5192439	GMC
517147	C-R	417210!	518370	C-R	6840S	5192505	GMC
51718	HYST	455189	51838	GARLK	473239!	519257	C-R
5172000	GMC	415284	518389	C-R	204027	5192617	GMC
517201	C-R	415458	5183965	GMC	473464!	5192620	GMC
517202	C-R	8975S	5183965	GMC	473464	5192776	GMC
5172164	GMC	474253	5184	C-R	471549!	5192777	GMC
517225	C-R	7994S	5184	C-R	472467	519280	C-R
517232	C-R	6808N	5184	EIMCO	473451!	519289	C-R
51726	GARLK	472179	51840S	TROS	470954!	519290	C-R
517262	C-R	416892!	518449R91	IH	471737	519291	C-R
517273	C-R	415138!	51845	C-R	417548	519297	C-R
517274A1	FORD	471231!	5184576	GMC	455290	5193122	GMC
517274A2	FORD	471231!	51848	GARLK	473240!	519316	C-R
517323	C-R	416706	5185	TIMKE	5185	519316	C-R
517324	C-R	415995!	51850	C-R	455956H	519319	C-R
517326	C-R	472016	5185065	GMC	350364	5193274	GMC
517328	C-R	415001!	51851	C-R	417548	5193274	GMC
517329	C-R	415960!	51852	C-R	4494V	5193413	GMC
517329	C-R	415960	51852	C-R	455956H	5193598	GMC
5173384	GMC	472258	518567	C-R	8421S	5193599	GMC
5173B	JN-MN	417600	518574	C-R	472150	5193684	GMC
517448	C-R	6283S	518581	C-R	6760S	519371	C-R
5174480	C-R	6283S	5186	SPG	1960	519388	C-R
51749	GMC	410102	518611	C-R	6098=	5193LPD	JN-MN
517505	C-R	473234	518660	C-R	9116S	5194019	GMC
517511	C-R	416956	518674	C-R	370037A	519405	C-R
5175136	GMC	471692!	518674	C-R	370338A	519413	C-R
5175276	GMC	472705!	518680	C-R	370021A	5194233	GMC
517536	GERL	455019!	518682	C-R	370019A	519430	C-R
5175836	OLIVE	416654!	518683	C-R	370021A	519437	C-R
5176287	GMC	450039	51869	GMC	473458!	5194382	GMC
5176288	GMC	471255!	5186F	OSHKO	415995!	519443	C-R
5176552	GMC	417548	5187	SPG	1955	5194462	GMC
5187	SPG	52X65X9!	5187281	GMC	416107!	5187281	GMC
51875	MASTE	481568!	518753	C-R	6636S	518754	C-R
518820	C-R	8126S	518754	C-R	470354	518761	C-R
518821	C-R	7700S!	518821R91	IH	6590S	518821R91	IH
518821R91	IH	6590S	5189	TIMKE	5189	518925	GMC
518925	GMC	41081S=	518FF2-L	C-R	5871	518FF2-L	C-R
518925	GMC	41081S=	5190	ROTO	471281!	5190	ROTO
519019	C-R	416332!	519019	C-R	416332!	519019	C-R
51901S	TROS	473227	51901S	TROS	473227	51901S	TROS
519042	ALLCH	471619!	519042	ALLCH	471619!	519042	ALLCH
5190707	GMC	471791	5190707	GMC	471791	5190707	GMC
5190707	GMC	455165!	5190707	GMC	455165!	5190707	GMC
5191189	GMC	415995!	5191189	GMC	415995!	5191189	GMC
5191190	GMC	473228	5191190	GMC	473228	5191190	GMC
5191214	GMC	415027!	5191214	GMC	415027!	5191214	GMC
5191214	GMC	415027!	5191214	GMC	415027!	5191214	GMC
519130	C-R	471766!	519130	C-R	471766!	519130	C-R
5191600	GMC	416288!	5191600	GMC	416288!	5191600	GMC
5191707	GMC	410694!	5191707	GMC	410694!	5191707	GMC
5191708	GMC	470088	5191708	GMC	470088	5191708	GMC
5191745	GMC	415025	5191745	GMC	415025	5191745	GMC
5191843	GMC	471526!	5191843	GMC	471526!	5191843	GMC
5191923	GMC	415035!	5191923	GMC	415035!	5191923	GMC
5191923	GMC	415035	5191923	GMC	415035	5191923	GMC
5191925	GMC	412473!	5191925	GMC	412473!	5191925	GMC
519194	C-R	473445	519194	C-R	473445	519194	C-R
519213	C-R	3945	519213	C-R	3945	519213	C-R
5192250	GMC	471442!	5192250	GMC	471442!	5192250	GMC
5192267	GMC	471466!	5192267	GMC	471466!	5192267	GMC
5192438	GMC	6370N	5192438	GMC	6370N	5192438	GMC
5192439	GMC	J712	5192439	GMC	J712	5192439	GMC
5192505	GMC	6863S!	5192505	GMC	6863S!	5192505	GMC
519257	C-R	472705!	519257	C-R	472705!	519257	C-R
5192617	GMC	416666	5192617	GMC	416666	5192617	GMC
5192620	GMC	471466!	5192620	GMC	471466!	5192620	GMC
5192776	GMC	455251H	5192776	GMC	455251H	5192776	GMC
5192777	GMC	75251S	5192777	GMC	75251S	5192777	GMC
519280	C-R	340927	519280	C-R	340927	519280	C-R
519289	C-R	481181!	519289	C-R	481181!	519289	C-R
519290	C-R	474276	519290	C-R	474276	519290	C-R
519291	C-R	471224!	519291	C-R	471224!	519291	C-R
519297	C-R	240356	519297	C-R	240356	519297	C-R
5193122	GMC	471138!	5193122	GMC	471138!	5193122	GMC
519316	C-R	415960!	519316	C-R	415960!	519316	C-R
519316	C-R	415960!	519316	C-R	415960!	519316	C-R
519319	C-R	412119!	519319	C-R	412119!	519319	C-R
5193274	GMC	415991	5193274	GMC	415991	5193274	GMC
5193274	GMC	455146!	5193274	GMC	455146!	5193274	GMC
5193413	GMC	5460\$	5193413	GMC	5460\$	5193413	GMC
5193598	GMC	425RR	5193598	GMC	425RR	5193598	GMC
5193599	GMC	471255!	5193599	GMC	471255!	5193599	GMC
5193684	GMC	471733	5193684	GMC	471733	5193684	GMC
519371	C-R	417484!	519371	C-R	417484!	519371	C-R
519388	C-R	472012	519388	C-R	472012	519388	C-R
5193LPD	JN-MN	416156	5193LPD	JN-MN	416156	5193LPD	JN-MN
5194019	GMC	472924!	5194019	GMC	472924!	5194019	GMC
519405	C-R	471193	519405	C-R	471193	519405	C-R
519413	C-R	472299	519413	C-R	472299	519413	C-R
5194233	GMC	412871!	5194233	GMC	412871!	5194233	GMC
519430	C-R	470774!	519430	C-R	470774!	519430	C-R
519437	C-R	471442!	519437	C-R	471442!	519437	C-R
5194382	GMC	472164!	5194382	GMC	472164!	5194382	GMC
519443	C-R	7457N	519443	C-R	7457N	519443	C-R
5194462	GMC	417550	5194462	GMC	417550	51944	

Zero Duplication or Recommended		Zero Duplication or Recommended		Zero Duplication or Recommended		Zero Duplication or Recommended	
Mfr. No.	Name	Mfr. No.	Name	Mfr. No.	Name	Mfr. No.	Name
51X1106	GARLK	51X1300	GARLK	51X1511	GARLK	51X1706	GARLK
51X1107	GARLK	51X1301	GARLK	51X1512	GARLK	51X1707	GARLK
51X1133	GARLK	51X1302	GARLK	51X1518	GARLK	51X1714	GARLK
51X1136	GARLK	51X1306	GARLK	51X1522	GARLK	51X1715	GARLK
51X1140	GARLK	51X1302	GARLK	51X1523	GARLK	51X1716	GARLK
51X1151	GARLK	51X1306	GARLK	51X1524	GARLK	51X1724	GARLK
51X1152	GARLK	51X1307	GARLK	51X1531	GARLK	51X1736	GARLK
51X1153	GARLK	51X1308	GARLK	51X1532	GARLK	51X1748	GARLK
51X1154	GARLK	51X1309	GARLK	51X1533	GARLK	51X175	GARLK
51X1155	GARLK	51X1310	GARLK	51X1534	GARLK	51X176	GARLK
51X1163	GARLK	51X1311	GARLK	51X1535	GARLK	51X1771	GARLK
51X1164	GARLK	51X1312	GARLK	51X1536	GARLK	51X1772	GARLK
51X1167	GARLK	51X1313	GARLK	51X1537	GARLK	51X1773	GARLK
51X1171	GARLK	51X1314	GARLK	51X1538	GARLK	51X1775	GARLK
51X1172	GARLK	51X1331	GARLK	51X1539	GARLK	51X1776	GARLK
51X1173	GARLK	51X1332	GARLK	51X154	GARLK	51X178	GARLK
51X1174	GARLK	51X1334	GARLK	51X1540	GARLK	51X1780	GARLK
51X1175	GARLK	51X1339	GARLK	51X1541	GARLK	51X1781	GARLK
51X1176	GARLK	51X1340	GARLK	51X1542	GARLK	51X1782	GARLK
51X1180	GARLK	51X1358	GARLK	51X1546	GARLK	51X1783	GARLK
51X1181	GARLK	51X1361	GARLK	51X1547	GARLK	51X1784	GARLK
51X1182	GARLK	51X1362	GARLK	51X1548	GARLK	51X1785	GARLK
51X1202	GARLK	51X1363	GARLK	51X1549	GARLK	51X1789	GARLK
51X1208	GARLK	51X1364	GARLK	51X1550	GARLK	51X180	GARLK
51X122	GARLK	51X1365	GARLK	51X1551	GARLK	51X181	GARLK
51X1222	GARLK	51X1366	GARLK	51X1562	GARLK	51X181	GARLK
51X1223	GARLK	51X1367	GARLK	51X1574	GARLK	51X1811	GARLK
51X1224	GARLK	51X1368	GARLK	51X1577	GARLK	51X182	GARLK
51X1225	GARLK	51X1369	GARLK	51X1579	GARLK	51X1829	GARLK
51X1226	GARLK	51X1370	GARLK	51X1580	GARLK	51X184	GARLK
51X1227	GARLK	51X1371	GARLK	51X1586	GARLK	51X1840	GARLK
51X1228	GARLK	51X1372	GARLK	51X159	GARLK	51X1841	GARLK
51X1229	GARLK	51X1373	GARLK	51X1595	GARLK	51X1842	GARLK
51X1230	GARLK	51X1374	GARLK	51X1596	GARLK	51X1852	GARLK
51X1231	GARLK	51X1379	GARLK	51X160	GARLK	51X1853	GARLK
51X1232	GARLK	51X1380	GARLK	51X1600	GARLK	51X1854	GARLK
51X1233	GARLK	51X1386	GARLK	51X1601	GARLK	51X1855	GARLK
51X1240	GARLK	51X1396	GARLK	51X1602	GARLK	51X1856	GARLK
51X1240	GARLK	51X1397	GARLK	51X161	GARLK	51X1857	GARLK
51X1241	GARLK	51X1398	GARLK	51X1612	GARLK	51X1858	GARLK
51X1241	GARLK	51X1407	GARLK	51X1613	GARLK	51X1859	GARLK
51X1242	GARLK	51X1409	GARLK	51X1614	GARLK	51X186	GARLK
51X1242	GARLK	51X1424	GARLK	51X162	GARLK	51X1860	GARLK
51X1246	GARLK	51X1435	GARLK	51X1633	GARLK	51X1861	GARLK
51X1247	GARLK	51X1436	GARLK	51X1634	GARLK	51X1862	GARLK
51X1248	GARLK	51X1437	GARLK	51X1635	GARLK	51X1863	GARLK
51X1257	GARLK	51X1438	GARLK	51X1640	GARLK	51X187	GARLK
51X1259	GARLK	51X1439	GARLK	51X1643	GARLK	51X188	GARLK
51X1262	GARLK	51X1440	GARLK	51X1649	GARLK	51X1882	GARLK
51X1265	GARLK	51X1441	GARLK	51X1655	GARLK	51X1883	GARLK
51X1271	GARLK	51X1442	GARLK	51X166	GARLK	51X1884	GARLK
51X1271	GARLK	51X1443	GARLK	51X1664	GARLK	51X1886	GARLK
51X1272	GARLK	51X1444	GARLK	51X1665	GARLK	51X1887	GARLK
51X1272	GARLK	51X1445	GARLK	51X1667	GARLK	51X1889	GARLK
51X1280	GARLK	51X1446	GARLK	51X1673	GARLK	51X189	GARLK
51X1281	GARLK	51X1450	GARLK	51X1674	GARLK	51X1890	GARLK
51X1282	GARLK	51X1451	GARLK	51X1676	GARLK	51X1891	GARLK
51X1283	GARLK	51X1452	GARLK	51X1687	GARLK	51X1892	GARLK
51X1284	GARLK	51X1459	GARLK	51X1688	GARLK	51X1893	GARLK
51X1285	GARLK	51X1460	GARLK	51X1689	GARLK	51X1894	GARLK
51X1286	GARLK	51X1461	GARLK	51X169	GARLK	51X1895	GARLK
51X1287	GARLK	51X1472	GARLK	51X1693	GARLK	51X1896	GARLK
51X1288	GARLK	51X1478	GARLK	51X1694	GARLK	51X1897	GARLK
51X1289	GARLK	51X1479	GARLK	51X1695	GARLK	51X1898	GARLK
51X1290	GARLK	51X1487	GARLK	51X1696	GARLK	51X1899	GARLK
51X1291	GARLK	51X1488	GARLK	51X1697	GARLK	51X190	GARLK
51X1292	GARLK	51X1502	GARLK	51X1698	GARLK	51X1909	GARLK
51X1293	GARLK	51X1503	GARLK	51X1699	GARLK	51X1910	GARLK
51X1294	GARLK	51X1507	GARLK	51X170	GARLK	51X1911	GARLK
51X1295	GARLK	51X1508	GARLK	51X1700	GARLK	51X1912	GARLK
51X1296	GARLK	51X1509	GARLK	51X1701	GARLK	51X1913	GARLK
51X1300	GARLK	51X1510	GARLK	51X1705	GARLK	51X1914	GARLK

! Industrial Size/Type * Minor Width Difference

Zero Duplication or Recommended		Zero Duplication or Recommended		Zero Duplication or Recommended		Zero Duplication or Recommended		
Mfr. No.	Name	Industrial	Mfr. No.	Name	Industrial	Mfr. No.	Name	
51X1915	GARLK	455311*	51X2088	GARLK	455005	51X288	GARLK	471224!
51X1916	GARLK	455311*	51X2089	GARLK	417485*	51X289	GARLK	473380*
51X1917	GARLK	455311	51X2090	GARLK	417485*	51X290	GARLK	473380
51X1918	GARLK	415988*	51X2091	GARLK	417485*	51X291	GARLK	471649!
51X1919	GARLK	415988*	51X2092	GARLK	475384*	51X292	GARLK	471649!
51X1920	GARLK	415988*	51X2093	GARLK	475384*	51X293	GARLK	471689!
51X1921	GARLK	417481*	51X2094	GARLK	475384*	51X294	GARLK	471689!
51X1922	GARLK	417481*	51X2101	GARLK	455005*	51X295	GARLK	450593*
51X1923	GARLK	417481	51X2102	GARLK	455005*	51X296	GARLK	450593!
51X1924	GARLK	455280*	51X2103	GARLK	455005	51X297	GARLK	471733*
51X1925	GARLK	455280*	51X2104	GARLK	417485*	51X298	GARLK	471733
51X1926	GARLK	455280*	51X2105	GARLK	417485*	51X299	GARLK	471744!*
51X1931	GARLK	412871!	51X2106	GARLK	417485*	51X299A	GARLK	417258
51X1934	GARLK	413248	51X2116	GARLK	415303!*	51X2995	GARLK	417258*
51X1937	GARLK	450412*	51X2119	GARLK	417344!	51X300	GARLK	471744!*
51X1938	GARLK	450412	51X2130	GARLK	415303!*	51X301	GARLK	471760*
51X1947	GARLK	415458!	51X2131	GARLK	415303!*	51X302	GARLK	471760
51X1949	GARLK	417343!*	51X2132	GARLK	417344!	51X303	GARLK	471619!
51X1953	GARLK	415007*	51X2133	GARLK	417344!	51X304	GARLK	471619!
51X1956	GARLK	417082*	51X2134	GARLK	417344!	51X308	GARLK	481650*
51X196	GARLK	473414*	51X2135	GARLK	416404!*	51X341	GARLK	450044*
51X1960	GARLK	413248	51X2136	GARLK	416404!*	51X342	GARLK	450044
51X1961	GARLK	413248	51X2137	GARLK	416404!*	51X347	GARLK	450159*
51X1962	GARLK	413248	51X2138	GARLK	416921!	51X348	GARLK	450159
51X1966	GARLK	415483!	51X2139	GARLK	416921!	51X3596	GARLK	417600*
51X1967	GARLK	415483!	51X2140	GARLK	416921!	51X3597	GARLK	417600
51X1968	GARLK	415483!	51X2156	GARLK	417486*	51X3600	GARLK	417601*
51X1972	GARLK	415458!	51X2157	GARLK	416956*	51X3601	GARLK	417601
51X1973	GARLK	415458!	51X2158	GARLK	416956*	51X3609	GARLK	417022*
51X1974	GARLK	415458!	51X2159	GARLK	416956	51X3610	GARLK	417604*
51X1975	GARLK	417343!*	51X2160	GARLK	417159*	51X3611	GARLK	417567*
51X1976	GARLK	417343!*	51X2161	GARLK	417159*	51X3619	GARLK	455462
51X1977	GARLK	417343!	51X2162	GARLK	417159*	51X3623	GARLK	415090
51X1978	GARLK	415007*	51X2163	GARLK	416654!	51X3627	GARLK	55218=
51X1979	GARLK	415007*	51X2164	GARLK	416654!	51X364	GARLK	471736
51X1980	GARLK	415007*	51X2165	GARLK	416654!	51X3647	GARLK	417606*
51X1981	GARLK	417082*	51X2166	GARLK	417486*	51X3648	GARLK	417606
51X1982	GARLK	417082*	51X2167	GARLK	417486*	51X3656	GARLK	55224=
51X1983	GARLK	417082*	51X2190	GARLK	55548*	51X366	GARLK	473428
51X1995	GARLK	455434	51X2191	GARLK	55548*	51X3660	GARLK	417605*
51X200	GARLK	473414*	51X2196	GARLK	455820*	51X3673	GARLK	417020
51X2014	GARLK	455434*	51X2197	GARLK	455820*	51X368	GARLK	471764!
51X2015	GARLK	455434*	51X2223	GARLK	455020*	51X3680	GARLK	415227!
51X2016	GARLK	455434	51X2224	GARLK	455020*	51X3689	GARLK	55228=
51X2023	GARLK	455151*	51X241	GARLK	450038*	51X3694	GARLK	415482
51X2024	GARLK	455151*	51X242	GARLK	450038	51X37	GARLK	50199S!
51X2025	GARLK	455151	51X2436	GARLK	415832*	51X37	GARLK	6863S!
51X2026	GARLK	455008*	51X2437	GARLK	415832*	51X3705	GARLK	415076*
51X2027	GARLK	455008*	51X2451	GARLK	55646* =	51X375	GARLK	450362
51X2028	GARLK	455008*	51X2452	GARLK	55646* =	51X376	GARLK	450362*
51X2033	GARLK	480491*	51X257	GARLK	472951	51X38	GARLK	50199S!
51X2034	GARLK	480491	51X257	GARLK	474252	51X38	GARLK	6863S!
51X204	GARLK	473415	51X258	GARLK	472951	51X385	GARLK	473426*
51X2042	GARLK	415984!*	51X258	GARLK	474252	51X3863	GARLK	350435
51X2051	GARLK	416706!	51X259	GARLK	450039*	51X3869	GARLK	472705!
51X2056	GARLK	416664!	51X260	GARLK	450039	51X3871	GARLK	450342
51X2057	GARLK	416664!	51X269	GARLK	451583!*	51X3874	GARLK	471747!
51X2058	GARLK	416664!	51X270	GARLK	451583!*	51X3882	GARLK	471344*
51X2059	GARLK	417484!	51X2706	GARLK	417238	51X3886	GARLK	450090*
51X2060	GARLK	417484!	51X2707	GARLK	417238*	51X3889	GARLK	450965*
51X2061	GARLK	417484!	51X271	GARLK	450545*	51X39	GARLK	474277
51X2062	GARLK	415984!*	51X272	GARLK	450545	51X3902	GARLK	455080*
51X2063	GARLK	415984!*	51X273	GARLK	471648*	51X3905	GARLK	472234*
51X2064	GARLK	415984!*	51X274	GARLK	471648*	51X3906	GARLK	472234
51X2065	GARLK	417316!	51X276	GARLK	471688	51X3909	GARLK	416921!
51X2066	GARLK	417316!	51X277	GARLK	450040*	51X3910	GARLK	417486*
51X2067	GARLK	417316!	51X278	GARLK	450040	51X3912	GARLK	415995!
51X2068	GARLK	415960	51X279	GARLK	451082*	51X3924	GARLK	417602!*
51X2069	GARLK	415960	51X280	GARLK	451082	51X3932	GARLK	455123
51X2070	GARLK	415960	51X285	GARLK	450339*	51X3983	GARLK	417606*
51X2086	GARLK	455005*	51X286	GARLK	450339	51X40	GARLK	474277
51X2087	GARLK	455005*	51X287	GARLK	471224!			

! Industrial Size/Type * Minor Width Difference = Call 1-800-480-1212 for price and delivery.

NUMERICAL

Zero Duplication or Recommended		Zero Duplication or Recommended		Zero Duplication or Recommended		Zero Duplication or Recommended		
Mfr. No.	Name	Mfr. No.	Name	Mfr. No.	Name	Mfr. No.	Name	
51X4752	GARLK	417512*	51X4928	GARLK	416154!*	51X5887	GARLK	473446*
51X4754	GARLK	471554!	51X4929	GARLK	455462*	51X5892	GARLK	416888!
51X4766	GARLK	473232	51X493	GARLK	473212!*	51X5893	GARLK	472810!
51X4768	GARLK	415482*	51X4934	GARLK	415066*	51X5897	GARLK	455080*
51X4771	GARLK	416892!*	51X4938	GARLK	412920!*	51X5900	GARLK	473466*
51X4772	GARLK	416345!	51X494	GARLK	473212!*	51X5906	GARLK	417020*
51X4772	GARLK	455033	51X4945	GARLK	416738!*	51X5907	GARLK	416404!*
51X4774	GARLK	55078S*	51X4945	GARLK	450096	51X5912	GARLK	417548*
51X4775	GARLK	417526*	51X495	GARLK	473212!*	51X5913	GARLK	472018*
51X4780	GARLK	416892!*	51X4958	GARLK	411394!	51X5914	GARLK	473010
51X4781	GARLK	471549!	51X4959	GARLK	416268	51X5920	GARLK	417567*
51X4783	GARLK	417541*	51X4966	GARLK	417247!*	51X5922	GARLK	417349*
51X4784	GARLK	415072*	51X4967	GARLK	417549!*	51X5925	GARLK	417486*
51X4785	GARLK	415124*	51X4968	GARLK	416144*	51X5929	GARLK	415551*
51X4787	GARLK	476470	51X497	GARLK	323138!*	51X5930	GARLK	417211!*
51X4788	GARLK	415066*	51X4976	GARLK	472843*	51X5933	GARLK	55301S*
51X4789	GARLK	415327*	51X498	GARLK	473213!*	51X5938	GARLK	415371*
51X4790	GARLK	416288!*	51X4982	GARLK	417547*	51X5945	GARLK	417278*
51X4792	GARLK	471354!*	51X4987	GARLK	415458!	51X5947	GARLK	411253!
51X4800	GARLK	417020*	51X4988	GARLK	470774!	51X5948	GARLK	415984!*
51X4801	GARLK	415227!*	51X499	GARLK	450503* =	51X5953	GARLK	417357
51X4803	GARLK	55532 =	51X4991	GARLK	455480!*	51X5953	GARLK	455192!
51X4804	GARLK	417487	51X4992	GARLK	473237!*	51X5957	GARLK	471413!*
51X4805	GARLK	55228* =	51X4998	GARLK	417486*	51X5959	GARLK	415090*
51X4806	GARLK	455129*	51X5	GARLK	350364	51X5960	GARLK	417606*
51X4808	GARLK	417247!*	51X500	GARLK	450503* =	51X5966	GARLK	472179
51X4809	GARLK	415294!	51X5002	GARLK	415683*	51X5968	GARLK	473474
51X4825	GARLK	417254*	51X5005	GARLK	472179	51X5969	GARLK	455509
51X4828	GARLK	416865!*	51X50056E	JOHND	471272 =	51X5978	GARLK	473380*
51X4832	GARLK	415303!*	51X5007	GARLK	472287!*	51X5980	GARLK	412119!
51X4836	GARLK	417247!*	51X5008	GARLK	415437	51X5981	GARLK	55078S*
51X4837	GARLK	415196!*	51X5008	GARLK	415437!	51X5983	GARLK	415036*
51X4838	GARLK	413469!*	51X501	GARLK	450503* =	51X6	GARLK	350364*
51X484	GARLK	450129	51X5025	GARLK	416288!*	51X60	GARLK	471530
51X484	GARLK	472826!	51X5028	GARLK	455476*	51X6062	GARLK	472810!
51X4842	GARLK	471472!	51X5030	GARLK	415023	51X6099	GARLK	481397*
51X4844	GARLK	415001!	51X5031	GARLK	415072*	51X610	GARLK	473437*
51X4847	GARLK	471539!	51X5041	GARLK	471538!*	51X611	GARLK	473437*
51X485	GARLK	450129	51X5043	GARLK	415371*	51X612	GARLK	473437
51X485	GARLK	472826!	51X5049	GARLK	415034!	51X6127	GARLK	471231!
51X4854	GARLK	415035	51X5050	GARLK	350364*	51X614	GARLK	471862*
51X4855	GARLK	481537*	51X5051	GARLK	417539!*	51X615	GARLK	471862
51X4861	GARLK	473226*	51X5053	GARLK	473242*	51X619	GARLK	473438*
51X4862	GARLK	471870!	51X5059	GARLK	417351!	51X6192	GARLK	470806*
51X4865	GARLK	417254*	51X5060	GARLK	455336*	51X620	GARLK	473438*
51X487	GARLK	473421*	51X5061	GARLK	415483!	51X621	GARLK	473438
51X4871	GARLK	470954!*	51X5063	GARLK	55028*	51X6224	GARLK	480630!
51X4872	GARLK	417597*	51X5066	GARLK	415045!*	51X6230	GARLK	473231
51X4873	GARLK	416888!	51X5078	GARLK	472397!*	51X6231	GARLK	473231
51X4874	GARLK	55392* =	51X5079	GARLK	416339	51X6245	GARLK	450400*
51X4876	GARLK	455406!*	51X5079	GARLK	455031!	51X6252	GARLK	472164!
51X4878	GARLK	417602!*	51X5082	GARLK	450124 =	51X6266	GARLK	417474*
51X488	GARLK	473421*	51X511	GARLK	473435*	51X6271	GARLK	470625!*
51X4882	GARLK	417262!	51X512	GARLK	473435*	51X6272	GARLK	472492!
51X4883	GARLK	417269!	51X513	GARLK	473435*	51X6289	GARLK	471498*
51X489	GARLK	473421*	51X514	GARLK	473436*	51X6328	GARLK	417621!
51X4891	GARLK	471862*	51X515	GARLK	473436	51X6333	GARLK	455330!*
51X4897	GARLK	415025*	51X516	GARLK	473436*	51X6335	GARLK	455583N!*
51X4899	GARLK	455536*	51X517	GARLK	50168*	51X6340	GARLK	417600*
51X490	GARLK	473211!*	51X518	GARLK	50168*	51X6353	GARLK	473405*
51X4900	GARLK	471391!*	51X519	GARLK	50168	51X6356	GARLK	476470*
51X4902	GARLK	417269!	51X520	GARLK	450054*	51X6358	GARLK	415991
51X4904	GARLK	416556!	51X521	GARLK	450054*	51X6358	GARLK	455146!
51X4904	GARLK	472157	51X522	GARLK	450054	51X6359	GARLK	416332!
51X4907	GARLK	50026*	51X540	GARLK	472287!*	51X6360	GARLK	415035
51X491	GARLK	473211!	51X558	GARLK	471835!	51X6360	GARLK	415035!
51X4912	GARLK	415150!*	51X560	GARLK	472843*	51X6361	GARLK	415196!*
51X4914	GARLK	416271!*	51X561	GARLK	472843	51X6363	GARLK	416888!
51X4916	GARLK	470898	51X574	GARLK	50254* =	51X6365	GARLK	415725!*
51X492	GARLK	473211!*	51X575	GARLK	50254* =	51X6366	GARLK	417549!*
51X4924	GARLK	417597*	51X576	GARLK	50254* =	51X6369	GARLK	417515*
51X4925	GARLK	417606*	51X5886	GARLK	455008*	51X6370	GARLK	416229*
51X6374	GARLK	416364!*	51X6375	GARLK	416239!*	51X6378	GARLK	415867*
51X6375	GARLK	416239!*	51X6378	GARLK	415867*	51X6385	GARLK	417603!
51X6378	GARLK	415867*	51X6385	GARLK	417603!	51X6387	GARLK	55301S*
51X6385	GARLK	417603!	51X6387	GARLK	55301S*	51X6389	GARLK	55222* =
51X6387	GARLK	55301S*	51X6389	GARLK	55222* =	51X6390	GARLK	55239* =
51X6389	GARLK	55222* =	51X6390	GARLK	55239* =	51X6391	GARLK	417605*
51X6390	GARLK	55239* =	51X6391	GARLK	417605*	51X6395	GARLK	415482*
51X6391	GARLK	417605*	51X6395	GARLK	415482*	51X6411	GARLK	471413*
51X6395	GARLK	415482*	51X6411	GARLK	471413*	51X6413	GARLK	417247!*
51X6411	GARLK	471413*	51X6413	GARLK	417247!*	51X6414	GARLK	473460*
51X6413	GARLK	417247!*	51X6414	GARLK	473460*	51X6415	GARLK	471554!
51X6414	GARLK	473460*	51X6415	GARLK	471554!	51X6418	GARLK	415295*
51X6415	GARLK	471554!	51X6418	GARLK	415295*	51X6422	GARLK	417598*
51X6418	GARLK	415295*	51X6422	GARLK	417598*	51X6430	GARLK	417785!
51X6422	GARLK	417598*	51X6430	GARLK	417785!	51X6431	GARLK	455022*
51X6430	GARLK	417785!	51X6431	GARLK	455022*	51X6433	GARLK	416364!*
51X6431	GARLK	455022*	51X6433	GARLK	416364!*	51X6434	GARLK	417357
51X6433	GARLK	416364!*	51X6434	GARLK	417357	51X6434	GARLK	455192!
51X6434	GARLK	417357	51X6434	GARLK	455192!	51X6437	GARLK	416239!*
51X6437	GARLK	416239!*	51X6437	GARLK	416239!*	51X6438	GARLK	472397!
51X6438	GARLK	472397!	51X6438	GARLK	472397!	51X6439	GARLK	417350!
51X6439	GARLK	417350!	51X6439	GARLK	417350!	51X6440	GARLK	471272!
51X6440	GARLK	471272!	51X6440	GARLK	471272!	51X6444	GARLK	416654!
51X6444	GARLK	416654!	51X6444	GARLK	416654!	51X6446	GARLK	412473!
51X6446	GARLK	412473!	51X6446	GARLK	412473!	51X6450	GARLK	471619!
51X6450	GARLK	471619!	51X6450	GARLK	471619!	51X6451	GARLK	417488!*
51X6451	GARLK	417488!*	51X6451	GARLK	417488!*	51X6455	GARLK	415449!
51X6455	GARLK	415449!	51X6455	GARLK	415449!	51X6457	GARLK	450129
51X6457	GARLK	450129	51X6457	GARLK	450129	51X6457	GARLK	472826!
51X6457	GARLK	472826!	51X6457	GARLK	472826!	51X6461	GARLK	456105*
51X6461	GARLK	456105*	51X6461	GARLK	456105*	51X6462	GARLK	473225!*
51X6462	GARLK	473225!*	51X6462	GARLK	473225!*	51X6465	GARLK	415449!
51X6465	GARLK	415449!	51X6465	GARLK	415449!	51X6466	GARLK	471763*
51X6466	GARLK	471763*	51X6466	GARLK	471763*	51X6467	GARLK	417316!
51X6467	GARLK	417316!	51X6467	GARLK	417316!	51X6468	GARLK	416071*
51X6468	GARLK	416071*	51X6468	GARLK	416071*	51X6469	GARLK	472394*
51X6469	GARLK	472394*	51X6469	GARLK	472394*	51X6471	GARLK	417316!
51X6471	GARLK	417316!	51X6471	GARLK	417316!	51X6474	GARLK	470682*
51X6474	GARLK	470682*	51X6474	GARLK	470682*	51X6475	GARLK	471835!
51X6475	GARLK	471835!	51X6475	GARLK	471835!	51X6478	GARLK	471272!
51X6478	GARLK	471272!	51X6478	GARLK	471272!	51X6479	GARLK	411192
51X6479	GARLK	411192	51X6479	GARLK	411192	51X6484	GARLK	416666*
51X6484	GARLK	416666*	51X6484	GARLK	416666*	51X6487	GARLK	471887*
51X6487	GARLK	471887*	51X6487	GARLK	471887*	51X6489	GARLK	476470
51X6489	GARLK	476470	51X6489	GARLK	476470	51X6497	GARLK	417487
51X6497	GARLK	417487	51X6497	GARLK	417487	51X6499	GARLK	417487
51X6499	GARLK	417487	51X6499	GARLK	417487	51X6500	GARLK	471267!*
51X6500	GARLK	471267!*	51X6500	GARLK	471267!*	51X6502	GARLK	416288!*
51X6502	GARLK	416288!*	51X6502	GARLK	416288!*	51X6506	GARLK	471271!
51X6506	GARLK	471271!	51X6506	GARLK	471271!	51X651	GARLK	471820*
51X651	GARLK	471820*	51X651	GARLK	471820*	51X6510	GARLK	417600*
51X6510	GARLK	417600*	51X6510	GARLK	417600*	51X6511	GARLK	415088
51X6511	GARLK	415088	51X6511	GARLK	415088	51X6513	GARLK	416167!
51X6513	GARLK	416167!	51X6513	GARLK	416167!	51X6515	GARLK	455434*
51X6515	GARLK	455434*	51X6515	GARLK	455434*	51X6516		

Zero Duplication or Recommended		Zero Duplication or Recommended		Zero Duplication or Recommended		Zero Duplication or Recommended					
Mfr. No.	Name	Mfr. No.	Name	Mfr. No.	Name	Mfr. No.	Name				
51X6548	GARLK	473243*	51X6700	GARLK	415302*	51X6896	GARLK	481073*	51X7145	GARLK	472012*
51X6549	GARLK	473405*	51X6701	GARLK	473214	51X6898	GARLK	470565!*	51X7146	GARLK	350435*
51X6550	GARLK	417605*	51X6705	GARLK	471821!	51X6899	GARLK	473229	51X7152	GARLK	473367!
51X6551	GARLK	473228	51X6706	GARLK	473464*	51X6900	GARLK	470487!	51X7152	GARLK	473367!
51X6554	GARLK	473236!*	51X6706	GARLK	473464	51X6900	GARLK	417316!	51X7153	GARLK	417350!
51X6556	GARLK	417357	51X6707	GARLK	417554!*	51X6901	GARLK	416332!	51X7154	GARLK	415036*
51X6556	GARLK	455192!	51X6708	GARLK	476470	51X6904	GARLK	472397!	51X7155	GARLK	415072*
51X6560	GARLK	412040*	51X6710	GARLK	470625!	51X6907	GARLK	415027*	51X7159	GARLK	455005*
51X6563	GARLK	415045!*	51X6711	GARLK	415725!*	51X6914	GARLK	416476!	51X716	GARLK	470682*
51X6564	GARLK	415551*	51X6713	GARLK	417601*	51X6917	GARLK	417525*	51X7160	GARLK	472016*
51X6565	GARLK	417357	51X6714	GARLK	415988*	51X692	GARLK	473440!*	51X7162	GARLK	415351!*
51X6565	GARLK	455192!	51X672	GARLK	470625!	51X6920	GARLK	415294!	51X7165	GARLK	416891!*
51X6568	GARLK	415035	51X6722	GARLK	417601*	51X6921	GARLK	455462*	51X7174	GARLK	472018*
51X6568	GARLK	415035!	51X6723	GARLK	417488!*	51X6923	GARLK	415711*	51X7176	GARLK	471192
51X6573	GARLK	415090*	51X6730	GARLK	417344!	51X6924	GARLK	416666*	51X7177	GARLK	416706!
51X6576	GARLK	470774!	51X6732	GARLK	417160*	51X6927	GARLK	417554!	51X7178	GARLK	55199* =
51X6578	GARLK	415449!	51X6733	GARLK	330385!	51X693	GARLK	473440!	51X7186	GARLK	471760*
51X6580	GARLK	450593!	51X6734	GARLK	416154!*	51X6931	GARLK	55441* =	51X7187	GARLK	415483!
51X6581	GARLK	417603!*	51X6739	GARLK	417621!	51X6934	GARLK	473235!*	51X7192	GARLK	415379
51X6584	GARLK	476470	51X6741	GARLK	417254*	51X6937	GARLK	470625!	51X7192	GARLK	415379!
51X6585	GARLK	455655!*	51X6745	GARLK	471766!	51X6938	GARLK	417269!	51X7194	GARLK	412473!
51X6586	GARLK	415090*	51X6746	GARLK	415683*	51X6939	GARLK	417541*	51X7195	GARLK	480630!
51X6588	GARLK	416654!	51X6749	GARLK	471255!	51X6946	GARLK	417539!*	51X7196	GARLK	415960
51X6590	GARLK	416332!	51X6750	GARLK	415645!	51X6947	GARLK	416364!*	51X7197	GARLK	415995!
51X6592	GARLK	473450	51X6750	GARLK	455104	51X6949	GARLK	415138!*	51X7199	GARLK	417487
51X6593	GARLK	472015!	51X6753	GARLK	474265	51X6950	GARLK	450869*	51X720	GARLK	471316
51X6599	GARLK	416921!	51X6757	GARLK	411376!	51X6952	GARLK	417362!*	51X7205	GARLK	416153!
51X65X7SC	TRSCM	51X65X7!	51X6760	GARLK	417603!*	51X6955	GARLK	471141!	51X7206	GARLK	415711*
51X65X7TC	TRSCM	51X65X7!	51X6762	GARLK	417134*	51X6957	GARLK	470354*	51X7210	GARLK	455151*
51X6600	GARLK	416345!	51X6764	GARLK	455015*	51X6959	GARLK	455476*	51X722	GARLK	473441*
51X6600	GARLK	455033	51X6765	GARLK	417278*	51X6961	GARLK	474264	51X7220	GARLK	455191*
51X6602	GARLK	476470	51X6767	GARLK	415035	51X6966	GARLK	455655!*	51X7221	GARLK	416313*
51X6603	GARLK	415725!*	51X6768	GARLK	417020*	51X6968	GARLK	415021*	51X7223	GARLK	472319*
51X6604	GARLK	472015!	51X6770	GARLK	417604*	51X6971	GARLK	471558*	51X7224	GARLK	415001!
51X6605	GARLK	473243*	51X6773	GARLK	415551*	51X6975	GARLK	9568*	51X7226	GARLK	474264
51X6608	GARLK	471870!	51X6774	GARLK	473214	51X6978	GARLK	415196!*	51X7229	GARLK	455189*
51X6610	GARLK	473228	51X6794	GARLK	473367!	51X6981	GARLK	455194*	51X7230	GARLK	415437!
51X6616	GARLK	455476*	51X6794	GARLK	473367	51X6982	GARLK	416345!	51X7230	GARLK	415437
51X663	GARLK	470487!	51X6795	GARLK	471341!	51X6982	GARLK	455033	51X7231	GARLK	417354!*
51X6630	GARLK	55367* =	51X6796	GARLK	417362!*	51X6984	GARLK	471564*	51X7233	GARLK	415551*
51X6632	GARLK	455151	51X6797	GARLK	455330!*	51X6990	GARLK	415035	51X7238	GARLK	450104*
51X6634	GARLK	415116*	51X6798	GARLK	415559*	51X6991	GARLK	416125!*	51X7241	GARLK	455406!*
51X6635	GARLK	417542*	51X6799	GARLK	415035	51X6992	GARLK	476838!	51X7245	GARLK	415371*
51X6637	GARLK	471466!	51X6800	GARLK	417082*	51X6993	GARLK	471765!	51X7247	GARLK	417562*
51X6638	GARLK	473240!*	51X6806	GARLK	416339	51X6995	GARLK	471138!*	51X7248	GARLK	473459
51X6639	GARLK	473197	51X6806	GARLK	455031!	51X7007	GARLK	472810!	51X7249	GARLK	415960
51X6640	GARLK	415725!*	51X6832	GARLK	472179	51X7039	GARLK	471539!	51X7253	GARLK	415027!
51X6644	GARLK	457874	51X6833	GARLK	417606*	51X705	GARLK	472299	51X7254	GARLK	473234
51X6645	GARLK	415991	51X6835	GARLK	417509*	51X7060	GARLK	474256	51X7255	GARLK	417351!
51X6645	GARLK	455146!	51X6838	GARLK	9568*	51X7069	GARLK	470774!	51X7258	GARLK	416892!*
51X6651	GARLK	417343!*	51X6839	GARLK	476470*	51X7072	GARLK	474264	51X7259	GARLK	450133*
51X6652	GARLK	417496*	51X6840	GARLK	417506*	51X7081	GARLK	473237!*	51X726	GARLK	450273
51X666	GARLK	473440!	51X6842	GARLK	417020*	51X7090	GARLK	471271!	51X7262	GARLK	474274
51X6664	GARLK	415379	51X6844	GARLK	455397*	51X7091	GARLK	415082*	51X7265	GARLK	417362!*
51X6664	GARLK	415379!	51X6847	GARLK	417526*	51X7099	GARLK	472924!	51X7269	GARLK	415437
51X6665	GARLK	417541*	51X6853	GARLK	472394*	51X7101	GARLK	417604	51X7269	GARLK	415437!
51X6667	GARLK	470059	51X6856	GARLK	471255!	51X7104	GARLK	415458!	51X7270	GARLK	417181!*
51X6667	GARLK	470380!	51X6857	GARLK	471692!	51X7110	GARLK	416888!	51X7272	GARLK	472492!
51X6668	GARLK	413478*	51X6858	GARLK	55141*	51X7114	GARLK	415551*	51X7276	GARLK	416077*
51X6670	GARLK	415294!	51X6860	GARLK	473010	51X7115	GARLK	415991	51X7277	GARLK	417474
51X6674	GARLK	471795	51X6864	GARLK	417073*	51X7115	GARLK	455146!	51X7280	GARLK	471821!
51X6675	GARLK	450165	51X6865	GARLK	417481*	51X7120	GARLK	417366!*	51X7282	GARLK	416339
51X6675	GARLK	471801!	51X6866	GARLK	412871!	51X7121	GARLK	473437*	51X7282	GARLK	455031!
51X6678	GARLK	417082*	51X6868	GARLK	417351!	51X7125	GARLK	473231	51X7284	GARLK	417539!*
51X6679	GARLK	417191	51X6870	GARLK	455134!*	51X7128	GARLK	416666*	51X7285	GARLK	411245!
51X6679	GARLK	456585	51X6871	GARLK	417515*	51X7130	GARLK	471316	51X7289	GARLK	4156585
51X6680	GARLK	416921!	51X6872	GARLK	417362!*	51X7134	GARLK	416154!*	51X7291	GARLK	416891!*
51X6682	GARLK	472636!	51X6888	GARLK	417584*	51X7137	GARLK	470059	51X7292	GARLK	417316!
51X6687	GARLK	415077*	51X689	GARLK	470487!	51X7137	GARLK	470380!	51X7299	GARLK	471529*
51X669	GARLK	474281!	51X6892	GARLK	416239!*	51X7140	GARLK	472029*	51X7307	GARLK	472164!
51X6692	GARLK	417355!*	51X6893	GARLK	416865!*	51X7141	GARLK	416556!			
51X670	GARLK	470625!	51X6895	GARLK	455406!*						

! Industrial Size/Type * Minor Width Difference = Call 1-800-480-1212 for price and delivery.

Zero Duplication or Recommended		Zero Duplication or Recommended		Zero Duplication or Recommended		Zero Duplication or Recommended					
Mfr. No.	Name	Mfr. No.	Name	Mfr. No.	Name	Mfr. No.	Name				
51X7313	GARLK	418028	51X7559	GARLK	417356!	51X779	GARLK	474274	51X8205	GARLK	417596
51X7313	GARLK	455137!	51X7559	GARLK	455188	51X7791	GARLK	416339	51X8208	GARLK	417513*
51X7314	GARLK	55199* =	51X7560	GARLK	416154!*	51X7791	GARLK	455031!	51X821	GARLK	450415*
51X7317	GARLK	417562*	51X7561	GARLK	417602!*	51X7795	GARLK	417247!*	51X8213	GARLK	472636!
51X7318	GARLK	455406!*	51X7562	GARLK	415219*	51X7796	GARLK	455584*	51X8214	GARLK	455820*
51X732	GARLK	451817	51X7563	GARLK	472492!	51X7803	GARLK	415196!*	51X822	GARLK	450415
51X7320	GARLK	471424!*	51X7564	GARLK	471271!	51X7812	GARLK	416345!	51X8222	GARLK	417621!
51X7324	GARLK	415027*	51X7566	GARLK	416865!*	51X7812	GARLK	455033	51X8224	GARLK	455191*
51X7327	GARLK	471887*	51X7568	GARLK	470625!	51X7814	GARLK	415035	51X8231	GARLK	417191
51X7328	GARLK	415995!	51X7572	GARLK	417316!	51X7819	GARLK	416167!	51X8231	GARLK	456585
51X7332	GARLK	415027*	51X7574	GARLK	415303!*	51X7824	GARLK	415090*	51X8233	GARLK	476470*
51X7334	GARLK	455144*	51X7578	GARLK	417522	51X7825	GARLK	417597*	51X8238	GARLK	417606*
51X734	GARLK	450065*	51X7590	GARLK	472157	51X7829	GARLK	416664!	51X8243	GARLK	415072*
51X7342	GARLK	415645!	51X7590	GARLK	472157!	51X7831	GARLK	471646!	51X8245	GARLK	417487
51X7342	GARLK	455104	51X7594	GARLK	416271!*	51X7837	GARLK	417513*	51X8248	GARLK	470950!
51X7346	GARLK	451948*	51X7603	GARLK	416476!	51X7839	GARLK	417252*	51X8248	GARLK	6241S
51X7347	GARLK	415027	51X7610	GARLK	417549!*	51X7840	GARLK	55357*	51X825	GARLK	414268!
51X7347	GARLK	415027!	51X7611	GARLK	417198*	51X7842	GARLK	472020*	51X8251	GARLK	417596*
51X7348	GARLK	417535*	51X7612	GARLK	415072!	51X7861	GARLK	415196!*	51X8252	GARLK	415294!
51X7349	GARLK	475384*	51X7615	GARLK	415027	51X7864	GARLK	450285*	51X8262	GARLK	415124*
51X735	GARLK	450065*	51X7615	GARLK	415027!	51X7873	GARLK	473231	51X8265	GARLK	481792*
51X7350	GARLK	415991	51X7616	GARLK	416332!	51X7877	GARLK	415066*	51X8266	GARLK	473444
51X7350	GARLK	455146!	51X7626	GARLK	417549!*	51X7879	GARLK	417780*	51X8267	GARLK	471551!
51X7353	GARLK	417601*	51X7629	GARLK	417562*	51X7880	GARLK	416556!	51X8270	GARLK	410308!
51X7357	GARLK	412473!	51X7633	GARLK	471887*	51X7880	GARLK	472157	51X8272	GARLK	471472!
51X7358	GARLK	471646!	51X7642	GARLK	416294!*	51X790	GARLK	473231	51X8274	GARLK	473239
51X7364	GARLK	455019!*	51X7646	GARLK	473454	51X7907	GARLK	470950!	51X8275	GARLK	450165
51X7366	GARLK	417550*	51X7649	GARLK	472018*	51X7907	GARLK	6241S	51X8275	GARLK	471801!
51X7368	GARLK	455480!*	51X7652	GARLK	417541*	51X7909	GARLK	417602!*	51X8278	GARLK	416153!
51X7371	GARLK	415551*	51X7653	GARLK	415076*	51X791	GARLK	473231	51X8280	GARLK	415379!
51X7372	GARLK	471808!*	51X7659	GARLK	415034!	51X7915	GARLK	471835!	51X8280	GARLK	415379
51X7374	GARLK	476470	51X7661	GARLK	471192	51X792	GARLK	473231	51X8284	GARLK	474256
51X7375	GARLK	417596*	51X7668	GARLK	417316!	51X7922	GARLK	55223* =	51X8292	GARLK	473458!*
51X7382	GARLK	411253!	51X7669	GARLK	417298*	51X793	GARLK	473367!	51X8293	GARLK	473238!*
51X7386	GARLK	472258!*	51X7670	GARLK	476470	51X793	GARLK	473367	51X830	GARLK	473445*
51X7389	GARLK	415379	51X7671	GARLK	415259!*	51X7937	GARLK	2081	51X8300	GARLK	415327*
51X7389	GARLK	415379!	51X7675	GARLK	471787!	51X794	GARLK	473367	51X8306	GARLK	416107!
51X7390	GARLK	471766!	51X7677	GARLK	472319*	51X794	GARLK	473367!	51X8306	GARLK	455073
51X7391	GARLK	474255	51X7684	GARLK	473234	51X795	GARLK	473367!	51X8309	GARLK	417538*
51X740	GARLK	482253*	51X7685	GARLK	415938*	51X795	GARLK	473367	51X831	GARLK	473445*
51X7402	GARLK	415088	51X7686	GARLK	415041*	51X799	GARLK	450260*	51X8310	GARLK	417539!*
51X7402	GARLK	415088!	51X7687	GARLK	481792	51X7993	GARLK	417273*	51X8311	GARLK	415437
51X7409	GARLK	416107!	51X7689	GARLK	416158*	51X800	GARLK	450260*	51X8311	GARLK	415437!
51X7409	GARLK	455073	51X7690	GARLK	415187*	51X801	GARLK	450260	51X8314	GARLK	471765!
51X741	GARLK	482253	51X7695	GARLK	474281!	51X805	GARLK	450073*	51X8328	GARLK	455197N*
51X7418	GARLK	415683*	51X770	GARLK	473010	51X806	GARLK	450073*	51X8330	GARLK	416154!*
51X7419	GARLK	476470	51X7700	GARLK	413246	51X807	GARLK	450073	51X8331	GARLK	417258*
51X7420	GARLK	472029*	51X7717	GARLK	417171!*	51X8102	GARLK	455556*	51X8384	GARLK	415867*
51X7423	GARLK	6936S	51X7722	GARLK	472157!	51X8104	GARLK	472299*	51X839	GARLK	473235!*
51X743	GARLK	451469*	51X7722	GARLK	472157	51X8111	GARLK	417196!*	51X8396	GARLK	415937!*
51X7433	GARLK	415072*	51X7723	GARLK	472636!	51X8112	GARLK	417511*	51X8400	GARLK	415142*
51X7435	GARLK	472020*	51X7745	GARLK	417556*	51X8117	GARLK	415023	51X8401	GARLK	473454
51X7436	GARLK	415327*	51X7746	GARLK	450908 =	51X8120	GARLK	415371*	51X8404	GARLK	413469!*
51X7439	GARLK	55199* =	51X7747	GARLK	417484!	51X8127	GARLK	416891!*	51X8409	GARLK	471633!*
51X7440	GARLK	415379	51X7749	GARLK	417534*	51X8128	GARLK	417355!*	51X8410	GARLK	417512*
51X7440	GARLK	415379!	51X7752	GARLK	471760*	51X8129	GARLK	470774!	51X8416	GARLK	410737!
51X7447	GARLK	470059	51X7758	GARLK	417601*	51X8131	GARLK	450285*	51X8417	GARLK	455584*
51X7447	GARLK	470380!	51X7759	GARLK	457874	51X8135	GARLK	473227	51X8419	GARLK	415138!*
51X7448	GARLK	415036*	51X7764	GARLK	416273!	51X8140	GARLK	455462*	51X8423	GARLK	415072*
51X7510	GARLK	472311!	51X7765	GARLK	418028	51X8151	GARLK	415991	51X8430	GARLK	456105*
51X7516	GARLK	474278!	51X7765	GARLK	455137!	51X8151	GARLK	455146!	51X8437	GARLK	55301S*
51X7518	GARLK	471766!	51X7768	GARLK	450307*	51X8153	GARLK	415458!	51X8442	GARLK	417252*
51X7523	GARLK	471862*	51X7772	GARLK	455820*	51X8154	GARLK	416404!*	51X8443	GARLK	416229*
51X753	GARLK	450274	51X7774	GARLK	415227!*	51X8156	GARLK	417171!*	51X8460	GARLK	416891!*
51X7542	GARLK	417349*	51X7775	GARLK	455556*	51X8161	GARLK	415045!*	51X8462	GARLK	415090*
51X7544	GARLK	415437	51X7776	GARLK	415458!	51X8165	GARLK	415066*	51X8466	GARLK	417509*
51X7544	GARLK	415437!	51X7780	GARLK	415128*	51X8169	GARLK	457874*	51X8469	GARLK	415871*
51X7549	GARLK	413246	51X7783	GARLK	417604*	51X8173	GARLK	416077*	51X8470	GARLK	417159*
51X7551	GARLK	415088	51X7784	GARLK	417181!*	51X8187	GARLK	472475*	51X8471	GARLK	417556*
51X7551	GARLK	415088!	51X7785	GARLK	455123*	51X8188	GARLK	455019!*	51X8477	GARLK	455026*
51X7554	GARLK	415683*	51X7786	GARLK	455123*	51X8192	GARLK	417273*	51X8488	GARLK	455566*
51X7555	GARLK	471984*	51X7787	GARLK	417351!	51X820	GARLK	450415*	51X8494	GARLK	415482*

! Industrial Size/Type * Minor Width Difference = Call 1-800-480-1212 for price and delivery.

Zero Duplication or Recommended		Zero Duplication or Recommended		Zero Duplication or Recommended		Zero Duplication or Recommended		
Mfr. No.	Name	Mfr. No.	Name	Mfr. No.	Name	Mfr. No.	Name	
521683	C-R	417621!	5231 NATL	39807	5246317 SPICE	240319	52548 C-R	472157!
521684	C-R	416404!	52317 GARLK	471138!	5246318 SPICE	416921!	52548 C-R	472157
521686	C-R	417621!	523192 ADAMS	471224!	5246319 SPICE	472258	52548 GARLK	470605!
521697	C-R	417210!	5232 NATL	39723	5246320 SPICE	240319	52548M1 C-R	416556!
521703	C-R	417366!	52329 GARLK	472636!	5246326 SPICE	455402 =	52548M1 C-R	472157
52171	GARLK	470898	5233 NATL	39705	5246328 SPICE	472560N	5254SH JN-MN	472560N*
5217B	JN-MN	415483!	523325R91 IH	40101S	524634 C-R	204027	5254SS JN-MN	472560N!
521810	C-R	415871	523376 C-R	450285	5247 NATL	417621	52551 GARLK	415449!
521835	C-R	417158!	5234 NATL	39701	524700 MICH	416666	52557 GARLK	415449!
521836	C-R	417344!	52341 GARLK	412920!	524700 UNIVE	416666	5256 SKIL	471264
521837	C-R	416921!	52348D IH	412473!	52475 C-R	447060	525606 ALLCH	472311!
521841	C-R	416921!	5234LA JN-MN	471192	52479D IH	472070	525629 C-R	415937
521842	C-R	417344!	523620 CONTI	471270!	52480 C-R	417262!	52569 GARLK	416273
521844	C-R	416921!	523646 C-R	2043	524803 C-R	6649	5256B JN-MN	412920!
52186	GARLK	472015!	523675 C-R	416070	52484 C-R	417358	5257169 GMC	455858
521883	ALLCH	450765!	523700 ADAMS	471192	52485 C-R	417358	5257224 GMC	5487
521915	C-R	415958	523700 LETN	471192	52486 C-R	417358	5257225 GMC	455858
521915	C-R	415958!	5237486 GMC	473467	52487 C-R	417358	52573 HYST	473227!
521924	C-R	474276	523763 C-R	8750S	52488 C-R	415645!*	5257B JN-MN	417350!
521925	CONTI	474260	5239SS JN-MN	471281!*	5248B JN-MN	473420*	5258 SPG	5001
52198	GARLK	472016!	523D6 WHITE	5401	5249 SPG	5071	52583 OLIVE	353132
5220	C-R	13X26X7	5240542 CHRYS	3476	52490 C-R	415645!	5259 ROTO	471466!
522010	C-R	416345!	5240692 CHRYS	25598	52490 C-R	455104	525978 ALLCH	411253!
522068	ADAMS	411253!	524096 ONAN	6489	52491 C-R	415645!	525F48 C-R	416556!
5221	C-R	13X26X7	5240B JN-MN	55441!*	52491 C-R	455104	525F48 C-R	472157
52210	GARLK	473243	5241 DIVCO	473179	52494 C-R	415645!	525H CHRYS	473426
522104	C-R	416404!	524109 CONTI	471692!	52494 C-R	455104	525H DURA	473426
522107	C-R	417621	524207 C-R	413246	52495 C-R	415645!	525H48-T8 C-R	472157*
522108	C-R	417621	52422 GARLK	470565!	52496 C-R	415645!	5260939 CLARK	415036
522146	ADAMS	471554!	52424 C-R	415294!	52496 C-R	455104	5260F GOODM	415294!
5221LA	JN-MN	450307	524314 C-R	455471	524965 C-R	5401	52617 GARLK	413248
522241	CONTI	474255	524316 C-R	415559	524966 C-R	5487	526199 ALLCH	204008
5222798	CHRYS	3816*	524322 C-R	416670	52497 C-R	415645!	52623 HYST	40337S
5222SS	JN-MN	471354!*	524324 C-R	415150!	52499 C-R	415645!	52625TA TRSCM	417262!
522309	WOOL	417205!	524326 C-R	455189	52499 C-R	455104	5263 SPG	5422
522433	C-R	5778	524328 C-R	417366!	524B41608 TROS	415196!	52632 C-R	417359
522434	C-R	6808N	524330 C-R	455191	524D6 DIA	5405	52632 GARLK	415483
522467	CONTI	471442!	52434 C-R	415394*	524D6 WHITE	5405	52633 C-R	417359
5224B	JN-MN	450593!	52434 GARLK	413246	524E44 C-R	415142	52633 WAYNE	415041
52257	ALLCH	416865!	52436008.5 TROS	370008A	524H326 C-R	455189*	52634 C-R	417359
522574	C-R	3604	52438 C-R	455328*	524N316-T8 C-R	6612S*	52635 C-R	417359
52260	TROS	471787!	5244 C-R	417357	5250 C-R	13X28X7!	5264 SPG	5424
522631	C-R	417487	5244 C-R	455192!	52500 C-R	415645!	52644 GARLK	415458!
522678	ADAMS	471341!	52440008 TROS	370015A	525085 C-R	5131	52648 C-R	417549!
52273	TROS	6547	524416 C-R	327303!	5252053 CHRYS	223253	526497 C-R	471271!
522825	C-R	473473	52441608 TROS	415196!	5252499 CHRYS	8660S	526499 C-R	417484
522826	C-R	9363S	52442 C-R	55193!*	525252 C-R	473367*	5264G GOODM	416229
522827	C-R	9161	52444 C-R	415142*	525252 C-R	473367	52650 C-R	417549!
522849	C-R	416273	52444Q6 C-R	415142*	525252 C-R	473367	526509XX TIMKE	52X65X9
522887	ADAMS	473464	52445 C-R	417262!	525314 C-R	455471	52656 GARLK	417343!
522887	LETN	410059	52445 C-R	417262*	525316 C-R	415559	52658 C-R	370069A
522887	LETN	470380!	52446 C-R	455194*	525324 C-R	415150!*	5265B JN-MN	415021*
5228B	JN-MN	55239!*	52446 GARLK	413247!	525324 MINMA	415150!	52660 C-R	370069A
522958	ADAMS	472015!	52447 C-R	417262 =	525324M1 C-R	415150!*	52664 C-R	370069A
522958	LETN	472015!	52447M1 C-R	472157	525326 C-R	455189*	52675TA TRSCM	417549!
522959	ADAMS	455655!	52447M1 C-R	472157!	525328 C-R	417366!*	526808XX TIMKE	52X68X8
522959	WABCO	455655!	52448 C-R	472157!	525328M1 C-R	417366!*	52683 GARLK	416664!
522D6	DIA	5403	52448 C-R	472157	525330 C-R	455191*	52689 GARLK	415984!
522D6	WHITE	5403	52448M1 C-R	472157!	525330M1 C-R	455191*	5269 ROTO	473464
5230	C-R	13X27X7	52448M1 C-R	472157	52534 C-R	415394*	5269 ROTO	473464!
5230	NATL	415937	524496 C-R	2146	52536 GARLK	471271!	526910XX TIMKE	52X69X10
5230007	GMC	471526!	52450 C-R	417262!	52538 C-R	455328*	52698 GARLK	415984!
523027R91	IH	204008	52451 C-R	417262!	5254 C-R	13X28X7!	5269LPD JN-MN	471744!*
52303	GARLK	471272!	524569 LETN	415995!	52542 C-R	55193!*	527008XX TIMKE	52X70X8
523037	C-R	415991	524569 LETN	415995!	52544 C-R	415142*	5270SS JN-MN	471103!
523037	C-R	415991!	52457 C-R	417262!	52544 MARI	415142	52710 GARLK	417316!
523047	ADAMS	473214!	52458 C-R	417262!	52544M1 C-R	415142*	527176 C-R	370023A
523047	LETN	473214	52459 C-R	417262!	52544Q6 C-R	415142*	52719 GARLK	415960
523061	ADAMS	472924!	52461 GARLK	416271!	52546 C-R	455194*	5271SS JN-MN	472258!
523061	LETN	472924!	5246314 SPICE	473228	52546M1 C-R	455194*	527208XX TIMKE	52X72X8
523088	ADAMS	415984!	5246315 SPICE	415449!	52547 C-R	472157!	52721 TROS	5596 =
5231	NATL	2297	5246316 SPICE	472258	52547 C-R	472157	5273 TIMKE	5273

! Industrial Size/Type * Minor Width Difference = Call 1-800-480-1212 for price and delivery.

Zero Duplication or Recommended		Zero Duplication or Recommended		Zero Duplication or Recommended		Zero Duplication or Recommended		
Mfr. No.	Name	Mfr. No.	Name	Mfr. No.	Name	Mfr. No.	Name	
527302	CLARK	417562	529684R91 IH	472129=	530329D SPG	712132	5319970147 DETRO	917117
5273B	JN-MN	417780*	5296B JN-MN	417273	53033 GARLK	415995!	5320B JN-MN	471391!
5274	TIMKE	5274	5297073 CLARK	417496	53033 GARLK	415995!	532101 BENDI	350435
527418	C-R	7214	52975D IH	474265	5303625 CLARK	412473!	5321B JN-MN	472319*
5274A	TIMKE	5274A	52975H JN-MN	417267	5303635 CLARK	471424!	53220 TROS	416297
527512XX	TIMKE	52X75X12	5298SS JN-MN	470712!	5303655 CLARK	455290	53221 TROS	415960
52753HA	IH	5957S	52D3 WHITE	471442!	530370 FRUEH	370065A	53222 TROS	415857!
5276	TMTR	473215!	52X17925A JOHND	240435	530370 FRUEH	376590A	5322B JN-MN	416167!
527677	C-R	5121	52X65X9SC TRSCM	52X65X9!	53042 GARLK	417351!	53232009 TROS	455612=
5276LA	JN-MN	471391!	52X65X9TC TRSCM	52X65X9!	530475 ALLCH	472193!	53234409 TROS	417502
5277	TIMKE	5277	52X68X8SC TRSCM	52X68X8!	530480 FRUEH	370065A	53236 GARLK	417181!
52770	GARLK	415303!	52X68X8TC TRSCM	52X68X8!	530480 FRUEH	376590A	53236009 TROS	417506
527739R91	IH	473225	52X69X10SC TRSCM	52X69X10!	530488 CHRYS	473464!	53240009 TROS	415036
5278	TIMKE	5278	52X69X10TC TRSCM	52X69X10!	530488 CHRYS	473464	53240310 TROS	417505
52782	GARLK	417344!	52X70X8SC TRSCM	52X70X8!	530489 CHRYS	411253!	53240409 TROS	455037
527870	C-R	712625	52X70X8TC TRSCM	52X70X8!	530507 C-R	6283S	532404X09 TROS	417506
5278LA	JN-MN	416167!	52X72X8SC TRSCM	52X72X8!	530520 CONTI	330385	53241010 TROS	9128S
5279	TIMKE	5279	52X72X8TC TRSCM	52X72X8!	530573 AVANT	40769S	53241609 TROS	416891!
52791	GARLK	417158!	52X75X12SC TRSCM	52X75X12!	53058 IPS	1012	53243208 TROS	416888!
52797	MASTE	471570!	52X75X12TC TRSCM	52X75X12!	53058 IPS	1012N	53243209 TROS	416888!
5279A	TIMKE	5279A	52X80X10 SIMRT	52X80X10!	53058 IPS	45X62X8!	53243210 TROS	416888!
527H2	WHITE	473367!	52X80X10SC TRSCM	52X80X10!	5305SS JN-MN	471529	532467 CONTI	471341!
527H2	WHITE	473367	52X80X10TC TRSCM	52X80X10!	530607 C-R	200855	532471 CONTI	471529
528	C-R	5M89	52X82X8SC TRSCM	52X82X8!	5307SS JN-MN	471652	532489 CONTI	476838!
5280	C-R	13X30X7!	52X82X8TC TRSCM	52X82X8!	530806R91 IH	472018=	532496 C-R	3909
528010A	HARWA	52X80X10	52X85X8AN ISP	52X85X7*	530859 CONTI	416956	5324SH JN-MN	40208*
528010XX	TIMKE	52X80X10	53 UNIVE	471553!	530875 C-R	8998	5324SS JN-MN	472324!
5280B	JN-MN	55301S*	530000 GEHL	472439	53088 IPS	225230	5325 SPG	6077
52812	GARLK	416921!	53000237 CHRYS	4019N	53088 IPS	52X72X8!	532506 CONTI	471647
528208XX	TIMKE	52X82X8	53000239 AMC	470547	53089 IPS	225420	532508 CONTI	471571
528367	C-R	370021A	530003 GEHL	473016!	53089 IPS	54X72X10!	532509 C-R	370003A
528370	C-R	370019A	53000476 CHRYS	473212!	53091 IPS	225110	532509 C-R	380003A
528507XX	TIMKE	52X85X7	530006 GEHL	471138!	53091 IPS	51X65X7!	532510 CONTI	471551!
52852	MASTE	450133	530008 GEHL	471276	53094 IPS	224820	532534 CONTI	474253!
52852	RELEE	450133	530009 GEHL	291099	53094 IPS	48X62X8!	53262 TROS	1091=
528576	ACF	471264	530012 GEHL	471760	53096 IPS	226285	532663 WHITE	455022
52869D	IH	415995!	530013 GEHL	240319	53096 IPS	62X85X8!	532664 WHITE	418028
52869D	IH	415995!	530014 GEHL	481163!	530969R91 IH	473367	532664 WHITE	455137!
5287	TIMKE	5287	530016 GEHL	473225!	53102 IPS	224045	532665 COC	416339
528712	UNIVE	416476!	530017 GEHL	472924!	53102 IPS	40X62X12!	532665 COC	455031!
528713	MICH	416476!	530019 GEHL	473454	53102 TROS	7934S	532665 WHITE	416339
5287A	TIMKE	5287A	530021 GEHL	474278!	53102S TROS	7934S	532665 WHITE	455031!
5289	ROTO	450415	530022 GEHL	471272!	53104 GARLK	417621!	53275 GARLK	417353!
528920	C-R	471224!	5300241 EATON	J1126	53106 IPS	1174	5329 SPG	6465
528942	C-R	370065A%	53002642 AMC	473452	53106 IPS	38X52X8.5!	5329 TIMKE	5329
528942	C-R	376590A>	5300331 EATON	J1136	531094 C-R	416444	532957 C-R	340872
528955	C-R	9316	5300381 EATON	415725!	531098 C-R	470596	532990 CONTI	472354!
52896HA	IH	5871	530038100 EATON	415725!	53114 IPS	224835	532GC220A MACK	5645\$
52896HAX	IH	5871	53005629 CHRYS	713103	53114 IPS	48X68X10!	5331 SPG	473229
52896HX	IH	5871	53005630 CHRYS	713103	53119 IPS	224045	533161 ONAN	6403=
528977	C-R	470954!	53005837 CHRYS	328039	53119 IPS	40X62X12!	53320 TROS	415060
529023	ALLCH	412473!	530060 CHRYS	473471	53120 IPS	225010	53320 TROS	455060
529029	ALLCH	472354!	53009 GARLK	417349!	53120 IPS	50X65X8!	533225 CONTI	473441
529046	ALLCH	471737	530102R91 IH	416664!	531240 C-R	474274	533226 CONTI	417474
529057	ALLCH	470954!	53011 IPS	1012	531284 C-R	715101	53326D IH	472016
529192	C-R	472015	530111 IPS	1012N	5313 TIMKE	5313	5333 C-R	471530*
5291LA	JN-MN	416102	53011 IPS	45X62X8!	53135 C-R	135X160X13	53338DA IH	210914
5291LUP	JN-MN	416102	53013D IH	415379	531378 CONTI	471526!	5334 C-R	471530*
529266	C-R	3385	530165 CHRYS	415449!	531379 CONTI	450188	53346 GARLK	416294!
5292722	CLARK	415559	5301691 EATON	471255!	5313OSR JN-MN	416332!	5335 LAU	471570!
5292736	CLARK	472020	53018 GARLK	417350!	53140 C-R	135X160X13	53358DA IH	210945
5292SS	JN-MN	471539!	53020488 CHRYS	713103	53143 GARLK	417171!	5336 SPG	473179
52931D	IH	450048	53021103 CHRYS	328039	531488 C-R	450474	53364 GARLK	412473!
52940S	TROS	473367!	53024 IPS	1174	5314B JN-MN	416167!	53366 NATL	472409
52940S	TROS	473367	53024 IPS	38X52X8.5!	53150 C-R	417550	53370 C-R	417554!
529443R91	IH	471442!	53027 IPS	1973	53151 C-R	417550	53379 GARLK	417191
529466R91	IH	417698	53027 IPS	48X65X10!	53160 TROS	1070=	5338 C-R	471530
529484	WHITE	417344!	530289 CONTI	451583!	531690569 CHALL	415995!	5338 NATL	5095
529485	WHITE	J1119	530307 C-R	712375	531756 C-R	710043	5339 C-R	471530
5294B	JN-MN	417520*	530309 C-R	712937	531813 CHRYS	415988	53394 GARLK	417354!
5295B	JN-MN	416892!*	5303144 GMC	471466!	5318LA JN-MN	470059	53395HX IH	5957S
529684R1	IH	472129=	53032 ALLCH	415960!	5318LA JN-MN	470380!	5340B JN-MN	455290*

! Industrial Size/Type * Minor Width Difference > Hub Mount % Spindle Mount \$F-M Number Is Part Of A Kit
 = Call 1-800-480-1212 for price and delivery.

NUMERICAL

Zero Duplication or Recommended		Zero Duplication or Recommended		Zero Duplication or Recommended		Zero Duplication or Recommended					
Mfr. No.	Name	Mfr. No.	Name	Mfr. No.	Name	Mfr. No.	Name				
5344R	JN-MN	416071	53721	GARLK	417211!	53X2188	GARLK	455019!	53X2300	GARLK	456648
5345B	JN-MN	417350!	53732	MASTE	417172	53X2189	GARLK	55548	53X2306	GARLK	416313
53460	GARLK	416624!	53733	GARLK	416345!	53X2192	GARLK	416370!	53X2307	GARLK	416313*
53461	HYST	472164!	537330	C-R	415263*	53X2195	GARLK	455820*	53X2308	GARLK	416313
5347	C-R	471530	537330M1	C-R	415263*	53X2198	GARLK	455019!*	53X2312	GARLK	455024
534798	CONTI	471539!	5373B	JN-MN	415035	53X2199	GARLK	455019!*	53X2313	GARLK	455024*
534938	CONTI	450588!	5373B	JN-MN	415035!	53X2200	GARLK	455019!*	53X2314	GARLK	455024*
534939	CATER	J1117	5374	C-R	416130!*	53X2201	GARLK	55155* =	53X2321	GARLK	412473!
534956	CONTI	471538!	53740	C-R	415938	53X2202	GARLK	55155 =	53X2322	GARLK	412473!
534957	CONTI	471538!	53745	GARLK	415697!	53X2203	GARLK	55155* =	53X2323	GARLK	412473!
53499	GARLK	417196!	53748	C-R	415196!*	53X2204	GARLK	455015*	53X2324	GARLK	417191
53502S	TROS	473179!	53748M1	C-R	415196!*	53X2205	GARLK	455015*	53X2324	GARLK	455165!
53503	TROS	472164!	5374B	JN-MN	417511	53X2206	GARLK	455015	53X2325	GARLK	417191
535065	CATER	J1121	5375R	JN-MN	472492!	53X2210	GARLK	55141*	53X2325	GARLK	455165!
5351	UNIVE	370021A	53763	GARLK	417366!	53X2211	GARLK	55141*	53X2326	GARLK	417191
5351142	AMC	472635	53763	HYST	6872S	53X2212	GARLK	55141*	53X2326	GARLK	455165!
535121	ALLCH	412871!	53764	HYST	6481S	53X2222	GARLK	455020*	53X2327	GARLK	417354!*
5351OS	JN-MN	476470	537696	ALLCH	350936	53X2225	GARLK	417621!	53X2328	GARLK	417354!*
5352	C-R	481534	5377	FULLE	415995!	53X2226	GARLK	417621!	53X2329	GARLK	417354!
535208R91	IH	471413 =	53770D	IH	415995!	53X2227	GARLK	417621!	53X2330	GARLK	416321
535208R92	IH	471413!	53770D	IH	415995!	53X2228	GARLK	416288!	53X2336	GARLK	415025
535209R91	IH	471424!	53775	C-R	417554!	53X2229	GARLK	416288!*	53X2337	GARLK	415025*
535209R92	IH	471424!	53790	C-R	3292	53X2230	GARLK	416288!*	53X2338	GARLK	415025*
5352171	AMC	442380	53799	C-R	416112	53X2231	GARLK	417171!	53X2342	GARLK	416327
5352609	AMC	471271!	53806D	IH	415437	53X2232	GARLK	417171!*	53X2345	GARLK	417492*
5352786	AMC	417480!	5381-26-157	VILA	710150	53X2233	GARLK	417171!	53X2346	GARLK	417492*
535320	C-R	415832	53825	HYST	410308!	53X2234	GARLK	417172*	53X2347	GARLK	417492
535330	C-R	415263	53825	HYST	473468	53X2235	GARLK	417172*	53X2348	GARLK	417493*
53548	C-R	415196!	538283	GE	471466	53X2236	GARLK	417172*	53X2349	GARLK	417493*
535554	CONTI	471692!	5384	SPG	7154S	53X2237	GARLK	416297*	53X2350	GARLK	417493
53562	TROS	2551	5385	SPG	6649	53X2246	GARLK	415021	53X2354	GARLK	417494*
5356675	AMC	442874	538555-55	C-R	712000	53X2247	GARLK	415021*	53X2355	GARLK	417494*
535667R91	IH	477055	5386	SPG	223035	53X2248	GARLK	415021*	53X2356	GARLK	417494
535674	FRUEH	455260	5386LA	JN-MN	553015*	53X2249	GARLK	456105*	53X2357	GARLK	455026*
53568	GARLK	416332!	53872D	IH	410708	53X2250	GARLK	456105*	53X2358	GARLK	455026*
5358	SPG	5095	53888D	IH	472924!	53X2251	GARLK	456105	53X2359	GARLK	455026*
535806	GMC	471193	538948	CONTI	471442!	53X2252	GARLK	417490*	53X2363	GARLK	455471*
5358980	AMC	482267	538983R1	IH	2093H =	53X2253	GARLK	417490*	53X2364	GARLK	455471*
5359457	AMC	3173	5389LA	JN-MN	471413!*	53X2254	GARLK	417490	53X2365	GARLK	455471*
5359457	AMC	710928	5389LUP	JN-MN	471413!	53X2255	GARLK	455336*	53X2366	GARLK	415991
53596HB	IH	412871!	538W330	C-R	6270	53X2256	GARLK	455336*	53X2366	GARLK	455146!
5359703	AMC	471271!	5390	TIMKE	5390	53X2257	GARLK	455336*	53X2367	GARLK	415991
53601	GARLK	417355!	53902	HYST	455858	53X2260	GARLK	6358	53X2367	GARLK	455146!
53613	GARLK	416125!	53912	HYST	473459	53X2261	GARLK	417490	53X2368	GARLK	415991
536144R91	IH	413246	539161	GMC	291295	53X2267	GARLK	455022*	53X2368	GARLK	455146!
5362	SPG	5201	539226	CONTI	471341!	53X2268	GARLK	455022*	53X2369	GARLK	417196!*
536282	ALLCH	473231!	53925	HYST	470898	53X2269	GARLK	455022*	53X2370	GARLK	417196!*
5363	SPG	5200	539421	GMC	471193	53X2270	GARLK	476470	53X2371	GARLK	417196!
53634D	IH	473467!	5394B	JN-MN	473215!	53X2271	GARLK	476470	53X2372	GARLK	415437
5363713	GMC	470605!	53967D	IH	473215!	53X2272	GARLK	476470	53X2373	GARLK	415437
53640S	TROS	6636S	53968D	IH	473228	53X2273	GARLK	417181!	53X2373	GARLK	415437!
53646	GARLK	416041	5397	TIMKE	5397	53X2274	GARLK	417181!*	53X2374	GARLK	415437
53646	HYST	415725!	5399	C-R	471281	53X2275	GARLK	417181!	53X2374	GARLK	415437!
5365082	AMC	3945	5399	TIMKE	5399	53X2276	GARLK	418028	53X2375	GARLK	417198*
5365G	GOODM	417298	53H027	SHOV	472397!	53X2277	GARLK	418028	53X2376	GARLK	417198*
53660	TROS	472164!	53H039	SHOV	474276!	53X2277	GARLK	455137!	53X2377	GARLK	417198
53667	GARLK	417205!	53R012	SHOV	415001!	53X2278	GARLK	418028	53X2378	GARLK	415027
53675TA	TRSCM	417554!	53W005	SHOV	415007	53X2278	GARLK	455137!	53X2379	GARLK	415027!
536778	CHRY	415960!	53X2174	GARLK	415995!	53X2279	GARLK	417353!	53X2379	GARLK	415027
536810A	HARWA	53X68X10	53X2174	GARLK	415995!	53X2280	GARLK	417353!*	53X2380	GARLK	415027
536810XX	TIMKE	53X68X10	53X2177	GARLK	417351!	53X2281	GARLK	417353!*	53X2381	GARLK	417495*
53688	C-R	417551	53X2178	GARLK	417351!	53X2282	GARLK	456305	53X2382	GARLK	417495*
53690	C-R	417551	53X2180	GARLK	417487	53X2284	GARLK	416865!	53X2383	GARLK	417495
53692	C-R	455576!	53X2180	GARLK	417487	53X2288	GARLK	415023	53X2384	GARLK	415559*
53693	C-R	455576!	53X2181	GARLK	417487	53X2289	GARLK	415023	53X2385	GARLK	415559*
53695	C-R	455576!	53X2182	GARLK	417487	53X2290	GARLK	415023	53X2386	GARLK	415559*
5369970047	DETRO	100294	53X2183	GARLK	417488!	53X2294	GARLK	455328*	53X2390	GARLK	417496*
536D4	WHITE	415001!	53X2184	GARLK	417488!*	53X2295	GARLK	455328*	53X2391	GARLK	417496
5370	SPG	5370	53X2185	GARLK	417488!	53X2296	GARLK	455328*	53X2392	GARLK	417496*
53701	C-R	415938*	53X2186	GARLK	415088	53X2298	GARLK	417491*	53X2393	GARLK	415711*
53715V	IH	415458	53X2187	GARLK	415088	53X2299	GARLK	417491	53X2394	GARLK	415711*
5371B	JN-MN	471652*	53X2187	GARLK	415088!	53X2300	GARLK	415085!	53X2395	GARLK	415711

! Industrial Size/Type * Minor Width Difference = Call 1-800-480-1212 for price and delivery.

Zero Duplication or Recommended		Zero Duplication or Recommended		Zero Duplication or Recommended		Zero Duplication or Recommended	
Mfr. No.	Name	Mfr. No.	Name	Mfr. No.	Name	Mfr. No.	Name
53X2396	GARLK	53X2511	GARLK	53X2622	GARLK	53X2733	GARLK
53X2397	GARLK	53X2512	GARLK	53X2623	GARLK	53X2734	GARLK
53X2398	GARLK	53X2513	GARLK	53X2627	GARLK	53X2738	GARLK
53X2399	GARLK	53X2513	GARLK	53X2628	GARLK	53X2739	GARLK
53X2400	GARLK	53X2516	GARLK	53X2629	GARLK	53X2740	GARLK
53X2401	GARLK	53X2519	GARLK	53X2630	GARLK	53X2744	GARLK
53X2402	GARLK	53X2520	GARLK	53X2631	GARLK	53X2745	GARLK
53X2417	GARLK	53X2521	GARLK	53X2632	GARLK	53X2746	GARLK
53X2418	GARLK	53X2521	GARLK	53X2636	GARLK	53X2750	GARLK
53X2419	GARLK	53X2525	GARLK	53X2637	GARLK	53X2751	GARLK
53X2420	GARLK	53X2527	GARLK	53X2638	GARLK	53X2752	GARLK
53X2421	GARLK	53X2528	GARLK	53X2642	GARLK	53X2753	GARLK
53X2422	GARLK	53X2529	GARLK	53X2643	GARLK	53X2754	GARLK
53X2423	GARLK	53X2530	GARLK	53X2644	GARLK	53X2755	GARLK
53X2424	GARLK	53X2531	GARLK	53X2648	GARLK	53X2756	GARLK
53X2425	GARLK	53X2532	GARLK	53X2654	GARLK	53X2757	GARLK
53X2426	GARLK	53X2533	GARLK	53X2655	GARLK	53X2758	GARLK
53X2427	GARLK	53X2537	GARLK	53X2656	GARLK	53X2759	GARLK
53X2428	GARLK	53X2538	GARLK	53X2657	GARLK	53X2760	GARLK
53X2432	GARLK	53X2538	GARLK	53X2657	GARLK	53X2761	GARLK
53X2435	GARLK	53X2539	GARLK	53X2658	GARLK	53X2762	GARLK
53X2441	GARLK	53X2540	GARLK	53X2658	GARLK	53X2765	GARLK
53X2442	GARLK	53X2540	GARLK	53X2659	GARLK	53X2766	GARLK
53X2443	GARLK	53X2541	GARLK	53X2659	GARLK	53X2767	GARLK
53X2447	GARLK	53X2541	GARLK	53X2660	GARLK	53X2768	GARLK
53X2448	GARLK	53X2542	GARLK	53X2661	GARLK	53X2769	GARLK
53X2449	GARLK	53X2542	GARLK	53X2662	GARLK	53X2770	GARLK
53X2450	GARLK	53X2543	GARLK	53X2663	GARLK	53X2771	GARLK
53X2453	GARLK	53X2543	GARLK	53X2664	GARLK	53X2772	GARLK
53X2454	GARLK	53X2544	GARLK	53X2665	GARLK	53X2773	GARLK
53X2455	GARLK	53X2544	GARLK	53X2666	GARLK	53X2774	GARLK
53X2459	GARLK	53X2545	GARLK	53X2669	GARLK	53X2775	GARLK
53X2462	GARLK	53X2546	GARLK	53X2670	GARLK	53X2776	GARLK
53X2462	GARLK	53X2547	GARLK	53X2671	GARLK	53X2780	GARLK
53X2463	GARLK	53X2548	GARLK	53X2675	GARLK	53X2781	GARLK
53X2464	GARLK	53X2549	GARLK	53X2676	GARLK	53X2782	GARLK
53X2464	GARLK	53X2550	GARLK	53X2677	GARLK	53X2786	GARLK
53X2465	GARLK	53X2551	GARLK	53X2678	GARLK	53X2787	GARLK
53X2466	GARLK	53X2552	GARLK	53X2679	GARLK	53X2788	GARLK
53X2467	GARLK	53X2552	GARLK	53X2680	GARLK	53X2792	GARLK
53X2468	GARLK	53X2553	GARLK	53X2681	GARLK	53X2798	GARLK
53X2469	GARLK	53X2553	GARLK	53X2682	GARLK	53X2799	GARLK
53X2469	GARLK	53X2554	GARLK	53X2683	GARLK	53X2801	GARLK
53X2470	GARLK	53X2554	GARLK	53X2684	GARLK	53X2802	GARLK
53X2474	GARLK	53X2555	GARLK	53X2687	GARLK	53X2803	GARLK
53X2475	GARLK	53X2556	GARLK	53X2688	GARLK	53X2804	GARLK
53X2476	GARLK	53X2557	GARLK	53X2689	GARLK	53X2805	GARLK
53X2477	GARLK	53X2561	GARLK	53X2693	GARLK	53X2806	GARLK
53X2480	GARLK	53X2562	GARLK	53X2694	GARLK	53X2807	GARLK
53X2484	GARLK	53X2563	GARLK	53X2695	GARLK	53X2808	GARLK
53X2485	GARLK	53X2567	GARLK	53X2699	GARLK	53X2809	GARLK
53X2486	GARLK	53X2568	GARLK	53X2700	GARLK	53X2813	GARLK
53X2487	GARLK	53X2569	GARLK	53X2701	GARLK	53X2814	GARLK
53X2488	GARLK	53X2573	GARLK	53X2705	GARLK	53X2815	GARLK
53X2492	GARLK	53X2574	GARLK	53X2708	GARLK	53X2819	GARLK
53X2493	GARLK	53X2575	GARLK	53X2711	GARLK	53X2820	GARLK
53X2494	GARLK	53X2579	GARLK	53X2712	GARLK	53X2821	GARLK
53X2501	GARLK	53X2580	GARLK	53X2713	GARLK	53X2825	GARLK
53X2502	GARLK	53X2581	GARLK	53X2717	GARLK	53X2826	GARLK
53X2503	GARLK	53X2600	GARLK	53X2718	GARLK	53X2827	GARLK
53X2504	GARLK	53X2601	GARLK	53X2719	GARLK	53X2831	GARLK
53X2505	GARLK	53X2602	GARLK	53X2723	GARLK	53X2832	GARLK
53X2505	GARLK	53X2603	GARLK	53X2724	GARLK	53X2833	GARLK
53X2506	GARLK	53X2604	GARLK	53X2725	GARLK	53X2834	GARLK
53X2506	GARLK	53X2605	GARLK	53X2726	GARLK	53X2835	GARLK
53X2507	GARLK	53X2609	GARLK	53X2729	GARLK	53X2836	GARLK
53X2507	GARLK	53X2610	GARLK	53X2729	GARLK	53X2837	GARLK
53X2508	GARLK	53X2611	GARLK	53X2730	GARLK	53X2838	GARLK
53X2508	GARLK	53X2615	GARLK	53X2730	GARLK	53X2839	GARLK
53X2509	GARLK	53X2616	GARLK	53X2731	GARLK	53X2840	GARLK
53X2509	GARLK	53X2617	GARLK	53X2731	GARLK	53X2842	GARLK
53X2510	GARLK	53X2621	GARLK	53X2732	GARLK	53X2843	GARLK

! Industrial Size/Type * Minor Width Difference = Call 1-800-480-1212 for price and delivery.

NUMERICAL

Zero Duplication or Recommended		Zero Duplication or Recommended		Zero Duplication or Recommended		Zero Duplication or Recommended		
Mfr. No.	Name	Mfr. No.	Name	Mfr. No.	Name	Mfr. No.	Name	
53X2844	GARLK	417247!*	53X3066	GARLK	415645!	53X3357	GARLK	415683*
53X2845	GARLK	417247!	53X3066	GARLK	455104	53X3358	GARLK	417365
53X2846	GARLK	417252*	53X3067	GARLK	415645!	53X3359	GARLK	417365
53X2847	GARLK	417252*	53X3067	GARLK	455104	53X3360	GARLK	417365
53X2848	GARLK	417252	53X3068	GARLK	417359	53X3367	GARLK	415072*
53X2849	GARLK	415066*	53X3070	GARLK	417359	53X3368	GARLK	415072
53X2850	GARLK	415066	53X3071	GARLK	417549!*	53X3369	GARLK	415072*
53X2851	GARLK	415066*	53X3095	GARLK	417550	53X3370	GARLK	415072*
53X2858	GARLK	416163*	53X3096	GARLK	417550*	53X3375	GARLK	455330!*
53X2859	GARLK	416163*	53X3097	GARLK	417550	53X3376	GARLK	455330!*
53X2860	GARLK	416163	53X3122	GARLK	417551	53X3377	GARLK	455330!
53X2864	GARLK	456890	53X3123	GARLK	417551*	53X3384	GARLK	415074*
53X2865	GARLK	456890	53X3124	GARLK	417551	53X3385	GARLK	415074
53X2866	GARLK	456890	53X3125	GARLK	455576!	53X3386	GARLK	415074*
53X2873	GARLK	416167!	53X3126	GARLK	455576!*	53X3387	GARLK	415074*
53X2874	GARLK	416167!	53X3127	GARLK	455576!	53X3394	GARLK	455480!*
53X2875	GARLK	416167!	53X3128	GARLK	415938*	53X3395	GARLK	455480!
53X2876	GARLK	417267*	53X3129	GARLK	415938*	53X3396	GARLK	455480!*
53X2877	GARLK	417267*	53X3130	GARLK	415938	53X3397	GARLK	455480!*
53X2878	GARLK	417267	53X3131	GARLK	417554!*	53X3398	GARLK	55316* =
53X2879	GARLK	417269!	53X3132	GARLK	417554!*	53X3399	GARLK	55316* =
53X2880	GARLK	417269!	53X3133	GARLK	417554!	53X3400	GARLK	55316* =
53X2881	GARLK	417269!	53X3155	GARLK	55357*	53X3401	GARLK	55316* =
53X2894	GARLK	417539!*	53X3156	GARLK	55357*	53X3402	GARLK	417562*
53X2900	GARLK	417273*	53X3157	GARLK	55357	53X3403	GARLK	417562*
53X2901	GARLK	417273	53X3176	GARLK	417254*	53X3404	GARLK	417562*
53X2902	GARLK	417273*	53X3177	GARLK	417254*	53X3405	GARLK	417562*
53X2903	GARLK	417540*	53X3178	GARLK	417254	53X3406	GARLK	55692* =
53X2904	GARLK	417540*	53X3179	GARLK	417360	53X3407	GARLK	55692* =
53X2905	GARLK	417540	53X3180	GARLK	417360	53X3408	GARLK	55692 =
53X2915	GARLK	415725!	53X3181	GARLK	417360	53X3417	GARLK	55242*
53X2916	GARLK	415725!*	53X3182	GARLK	417361	53X3418	GARLK	55242*
53X2917	GARLK	415725!	53X3183	GARLK	416107!	53X3419	GARLK	55242*
53X2918	GARLK	417584*	53X3183	GARLK	455073	53X3420	GARLK	55242
53X2921	GARLK	416865!	53X3184	GARLK	416107!	53X3421	GARLK	417563*
53X2922	GARLK	416865!	53X3184	GARLK	455073	53X3422	GARLK	417563*
53X2923	GARLK	416865!	53X3185	GARLK	417361	53X3423	GARLK	417563*
53X2924	GARLK	417278	53X3190	GARLK	415610	53X3424	GARLK	417563
53X2926	GARLK	417278	53X3200	GARLK	456192	53X3426	GARLK	415294!
53X2927	GARLK	417541	53X3215	GARLK	55358 =	53X3427	GARLK	415294!
53X2928	GARLK	417541*	53X3216	CATER	5634	53X3434	GARLK	416229*
53X2929	GARLK	417541	53X3216	GARLK	55358 =	53X3435	GARLK	416229
53X2933	GARLK	417542*	53X3217	GARLK	55358 =	53X3444	GARLK	417298*
53X2934	GARLK	417542*	53X3228	GARLK	417555!*	53X3445	GARLK	417298
53X2935	GARLK	417542	53X3229	GARLK	417555!*	53X3460	GARLK	415327*
53X2936	GARLK	417543*	53X3230	GARLK	417555!	53X3461	GARLK	415327
53X2937	GARLK	417543*	53X3234	GARLK	417556*	53X3464	GARLK	417596
53X2938	GARLK	417543	53X3235	GARLK	416288!*	53X3465	GARLK	417596
53X2941	GARLK	417544	53X3236	GARLK	417556	53X3474	GARLK	455948
53X2951	GARLK	417545*	53X3240	GARLK	417040	53X3482	GARLK	455584
53X2960	GARLK	455290*	53X3249	GARLK	456199 =	53X3483	GARLK	455584
53X2961	GARLK	455290*	53X3275	GARLK	417362!*	53X3492	GARLK	416364!
53X2962	GARLK	455290	53X3276	GARLK	417362!*	53X3493	GARLK	416364!
53X2990	GARLK	416557	53X3277	GARLK	417362!*	53X3496	GARLK	417597*
53X2992	GARLK	416557	53X3278	GARLK	417363	53X3497	GARLK	417597
53X2993	GARLK	417258*	53X3281	GARLK	416666*	53X3500	GARLK	416239!
53X2996	GARLK	417546!*	53X3282	GARLK	416666*	53X3501	GARLK	416239!
53X2997	GARLK	417546!*	53X3283	GARLK	416666	53X3504	GARLK	417564*
53X2998	GARLK	417546!	53X3284	GARLK	417364	53X3505	GARLK	417564
53X2999	GARLK	417547*	53X3293	GARLK	416039	53X3514	GARLK	416077*
53X3000	GARLK	417547*	53X3296	GARLK	416039	53X3515	GARLK	416077
53X3001	GARLK	417547	53X3322	GARLK	416476!	53X3518	GARLK	416044
53X3030	GARLK	417548	53X3323	GARLK	416476!	53X3519	GARLK	416044
53X3032	GARLK	417548*	53X3324	GARLK	416476!	53X3526	GARLK	415116*
53X3033	GARLK	417548*	53X3331	GARLK	455297*	53X3527	GARLK	415116
53X3034	GARLK	417548	53X3332	GARLK	455297	53X3536	GARLK	455117*
53X3059	GARLK	417262!	53X3333	GARLK	455297*	53X3537	GARLK	455117
53X3060	GARLK	417262!	53X3347	GARLK	417780*	53X3538	GARLK	415317*
53X3061	GARLK	417262!	53X3348	GARLK	417780	53X3539	GARLK	415317
53X3062	GARLK	417358	53X3349	GARLK	417780*	53X3544	GARLK	415867*
53X3065	GARLK	415645!	53X3355	GARLK	415683	53X3545	GARLK	415867
53X3065	GARLK	455104	53X3356	GARLK	415683*	53X3552	GARLK	415551*

! Industrial Size/Type * Minor Width Difference = Call 1-800-480-1212 for price and delivery.

Zero Duplication or Recommended Industrial		Zero Duplication or Recommended Industrial		Zero Duplication or Recommended Industrial		Zero Duplication or Recommended Industrial		
Mfr. No.	Name	Mfr. No.	Name	Mfr. No.	Name	Mfr. No.	Name	
5451OSR	JN-MN	55218=	5475 C-R	5667	54950 C-R	455073	550095 C-R	1097N
5452	C-R	14X30X7	5475 NATL	417505	54959 C-R	416107!*	550097 C-R	472258!
5452	LAU	471466!	5475 NATL	5667	54960 C-R	416107!*	550099 C-R	471195!
5452	TIMKE	5452	5475 WMG	417505	54971 C-R	416107*	55009S SPG	415960
545290	GIB	415035	54760 TROS	224040	549712R1 IH	470954!	5500R JN-MN	473458!
545290	GIB	415035!	54760 TROS	40X60X10!	54971R CASE	470954!	5501 ALOY	2146
545298	WHITE	471821!	547915C91 IH	370065A	54971R1 CASE	470954!	55010 SPG	417485
5453	TIMKE	5453	547915C91 IH	376590A	54972 C-R	416107!*	550102 C-R	471224!
545327	BOWEN	417191	5480 C-R	14X35X7	54973 C-R	416107!	550106 C-R	1110
545327	BOWEN	456585	5480 SPG	471646!	54978 C-R	416107!	55011 SPG	416921!
545333	KEN	472029	5480LA JN-MN	50191	54979 C-R	416107!	550111 C-R	1035=
54533HA	IH	415437	5480LPD JN-MN	50191	54980 C-R	416107!	550115 C-R	473234!
54534HA	IH	415437	5481 C-R	14X35X7	54981 C-R	416107!	55011S SPG	416921!
5453528	GMC	471442!	5481 TIMKE	5481	549818 US-EL	352541	55012 SPG	416654!
545364	ALLCH	417349	548210XX TIMKE	54X82X10	54990 C-R	416107!	550121 C-R	472164!
545376	CONDC	415551	548212 ALLCH	473226	54990 C-R	455073	550124 C-R	1110
54539	MC-CL	473230!	548342 ALLCH	471271!	54C-49 OLIVE	40061S=	55012S SPG	416654!
5454	C-R	14X30X7V	548349 ALLCH	473474	54X65X8SC TRSCM	54X65X8	55013 SPG	415995!
5454	LAU	470328	5483B JN-MN	415960	54X65X8TC TRSCM	54X65X8	550135 C-R	1091=
5454	LAU	481213!	5484 CHAMP	470954!	54X72X10SC TRSCM	54X72X10!	550139 C-R	471787!
545458	WHITE	473473	54840009 TROS	415041	54X72X10TC TRSCM	54X72X10!	55013S SPG	415995!
5455	LAU	470606!	54840014 TROS	370036A	54X73X8SC TRSCM	54X73X8!	55014 SPG	417487
5456	C-R	14X30X7V	54840014 TROS	370349A	54X73X8TC TRSCM	54X73X8!	550148 C-R	223005
5458	TIMKE	5458	54840014 TROS	380036A	54X82X10 NATL	225450	550148 C-R	30X40X7!
5459	LAU	471442!	54840809 TROS	415043	54X82X10SC TRSCM	54X82X10	55014S SPG	417487
5459B	JN-MN	415072*	54843209 TROS	416892	54X82X10TC TRSCM	54X82X10	55015 SPG	455015
5460	TIMKE	5460	54844009 TROS	415371	54X85X10SC TRSCM	54X85X10!	550154 C-R	1012
5460B	JN-MN	417562	54844409 TROS	415284	54X85X10TC TRSCM	54X85X10!	550154 C-R	1012N
5461B	JN-MN	417596	54844412C TROS	415284	55 UNIVE	474253!	550154 C-R	471831!
5462	LAU	7014S	54844809 TROS	415138!	55-S282 LETN	416364!	550158 C-R	225230
5462	TIMKE	5462	5484B JN-MN	415023	55-S556 LETN	455556	55016 SPG	416288!
54625	GARLK	415138!	548510XX TIMKE	54X85X10	5500 C-R	712028	550165 C-R	4529N
5463	LAU	471539!	5485B JN-MN	416891!	55000 SPG	417073	55016S SPG	416288!
5464	SPG	370002A	54861 TROS	471224!	550001 C-R	1049	55017 SPG	456105
54645	GARLK	417247!	5486B JN-MN	415072	550002 C-R	1010=	550175 C-R	224520
546494D6	DIA	370003A	5487 TIMKE	5487	550003 C-R	1037	550175 C-R	45X60X10!
5464R	JN-MN	416956	5487B JN-MN	416239!	550004 C-R	471737	550178 C-R	473560N
5465	LAU	471224!	5488 SPG	5589	550005 C-R	472299	55017S SPG	456105
5465	SPG	417506	5488B JN-MN	417556	55001 SPG	415001!	55018 SPG	476470
546508XX	TIMKE	54X65X8	5488913 CHRYS	415988	550012 C-R	472492!	550184 C-R	224040
5465R	JN-MN	473462	5489B JN-MN	417357	550017 C-R	471827	550184 C-R	40X60X10!
5466	LAU	340771	5489B JN-MN	455192!	55001S SPG	415001!	550185 C-R	224850
546667	GMC	416239!	5489LPD JN-MN	417357	55002 SPG	415988	550185 C-R	473455!
5466B	JN-MN	473464!	5489LPD JN-MN	455192!	55002S SPG	415988	550186 C-R	1077=
5466B	JN-MN	473464	5489LUP JN-MN	417357	55003 SPG	415458!	550186 C-R	223535
5466LPD	JN-MN	473464!	5489LUP JN-MN	455192!	55003S SPG	415458!	550189 C-R	1163=
5466LPD	JN-MN	473464	548BM416 C-R	416888!	55004 SPG	417316!	55018S SPG	476470
5467	LAU	481644	548ED CALI	415295	550042 C-R	1094=	55019 SPG	455019!
5467	SPG	370019A	549 HART	451583!	550044 C-R	472492!	550190 C-R	40X58X10!*
5467R	JN-MN	472397!	549 LAU	451583!	55004S SPG	417316!	550193 C-R	226020
5468	LAU	441130	5490B JN-MN	455197N	55005 SPG	455005	550193 C-R	60X80X8!
5468	SPG	370005A	5491B JN-MN	417507	550059 C-R	473238!	550199 C-R	224045
5468B	JN-MN	416891!*	5491B JN-MN	417507!	55005S SPG	455005	550199 C-R	40X62X12!
5469B	JN-MN	415219*	54923 C-R	476842	55006 SPG	417344!	55019S SPG	455019!
546D	CALI	416666	54928 CHRYS	5M81	550060 C-R	470712!	550202 C-R	1062=
546ED	CALI	455330!	54929 C-R	6872S	550069 C-R	2551	550217 C-R	1174
547	HART	450040	54930 C-R	5471	55006S SPG	417344!	550219 C-R	32X58X8!
547	LAU	450040	54931 C-R	417254*	55007 SPG	415007	55022 SPG	455022
5470	C-R	14X32X7	54933 C-R	417254	550071 C-R	1070=	550220 C-R	224045
5470	LAU	471649!	54934 C-R	417254*	550073 C-R	1097N	550220 C-R	40X62X12!
5471	TIMKE	5471	54935 C-R	5473	550074 C-R	472311	550222 C-R	1170
5472	NATL	7006S	54940 C-R	417254	55007S SPG	415007	550223 C-R	1173
54721	TROS	5479	54941 C-R	417254	55008 SPG	455008	550224 C-R	1167
547210XX	TIMKE	54X72X10	54943 C-R	417254	550081 C-R	1873	550225 C-R	1977
547253	GMC	9845	54946 C-R	417360	550082 C-R	470898	550226 C-R	47X62X8!
5472B	JN-MN	474255	54947 C-R	417360	550085 C-R	451948	550227 C-R	1174
5473	TIMKE	5473	54948 C-R	417360	550085 C-R	472579!	550227 C-R	38X52X8.5!
547308XX	TIMKE	54X73X8	54949 C-R	417360	550087 C-R	471192	550228 C-R	1183
5473SS	JN-MN	471442!	5494G P-C	TCS45483	550088 CLARK	472492!	550228 C-R	43X55X8!
547431R91	IH	6180=	5495 FREIG	5495	550089 C-R	416664!	550229 C-R	2000
5474G	P-C	TCS45483	5495 TIMKE	5495	55009 SPG	415960	550229 C-R	224235
5475	C-R	370023A	54950 C-R	416107!	550094 C-R	472164!	550229 C-R	42X58X7!

! Industrial Size/Type * Minor Width Difference = Call 1-800-480-1212 for price and delivery.

Zero Duplication or Recommended		Zero Duplication or Recommended		Zero Duplication or Recommended		Zero Duplication or Recommended		
Mfr. No.	Name	Mfr. No.	Name	Mfr. No.	Name	Mfr. No.	Name	
55023	SPG	415023	550280 C-R	48X63X9!	55053S SPG	415138!	550H2 WHITE	471466!
550230	C-R	224045	550284 C-R	222242	55054 SPG	417223	550H410-T8 C-R	455197N
550230	C-R	40X62X12!	550285 C-R	482126	55054S SPG	417223	550M48-B C-R	416891!
550231	C-R	223542	550288 C-R	224320*	55056 SPG	455056	550W410 C-R	455197N*
550231	C-R	35X55X11!	55029 SPG	416125!	55058 SPG	415058	550W412 C-R	451196!
550232	C-R	41X56X7!	550294 C-R	224560	55058S SPG	415058	550W414 C-R	55199* =
550233	C-R	223542	550294 C-R	45X68X7!	55059 SPG	417238	550W662 CONE	5146
550233	C-R	35X55X11!	55029S SPG	416125!	55060 SPG	415060	5510 C-R	313156
550234	C-R	1177	55030 GARLK	415725!	55060 SPG	455060	55101 SPG	416282
550236	C-R	224015	55030 TIMKE	55030	55062 SPG	415351!	55102S TROS	415302
550237	C-R	224205	55031 SPG	416339	55062S SPG	415351!	55103S TIMKE	55103S
550237	C-R	42X55X8!	55031 SPG	455031!	55063 SPG	457585	55104 SPG	415645!
550238	C-R	1959	550310 C-R	455612=	55065 SPG	417536	55104 SPG	455104
550239	C-R	1955	550312 C-R	2642	55067 SPG	456890	55104S SPG	415645!
550239	C-R	52X65X9!	550314 C-R	455472=	55068 SPG	417269!	55104S SPG	455104
55023S	SPG	415023	550316 C-R	417496	55068S SPG	417269!	55105 SPG	415938
55024	SPG	455024	55031S SPG	416339	5506SS JN-MN	471255!	55105S SPG	415938
550240	C-R	224015	55031S SPG	455031!	55070 SPG	416865!	55106 SPG	417556
550241	C-R	55X82X12!	55032 NATL	455032!	55070N SPG	416865	55106S SPG	417556
550242	C-R	1956	55032 SPG	455032!	55070S SPG	416865!	55108 NATL	457874
550243	C-R	1167	550322 C-R	417502	55071 SPG	417546!	55108 WMG	457874
550244	C-R	43X65X8!	55033 SPG	416345!	55071S SPG	417546!	55109 SPG	417562
550244	C-R	470460	55033 SPG	455033	55072 SPG	415072	55109S SPG	417562
550245	C-R	224560	550330 C-R	417506	55072S SPG	415072	55110 SPG	417563
550246	C-R	471831!	550330Q6 C-R	417506	55073 SPG	416107!	5511068 AM HO	5965
550247	C-R	1217	55033S SPG	416345!	55073 SPG	455073	55111 SPG	416229
550249	C-R	224270	55033S SPG	455033	55073R91 IH	471532	55111S SPG	416229
550249	C-R	42X72X10!	55034 SPG	415034!	55073S SPG	416107!	551123 GMC	472082
55025	SPG	415025	55034S SPG	415034!	55073S SPG	455073	55113 SPG	455310
550250	C-R	223830	55035N SPG	415035	55075 SPG	416476!	55114 SPG	455584
550250	C-R	223832	55035S SPG	415035!	55075S SPG	416476!	55115 C-R	140X160X12
550250	C-R	38X55X7!	55035S SPG	415035	55076 SPG	415076	55115 C-R	140X160X13!
550251	C-R	1994	55036 SPG	415036	55077 SPG	415077	55115 SPG	416077
550251	C-R	48X70X9!	55036S SPG	415036	55077AX OSHKO	471267!	55116 C-R	140X160X13*
550255	C-R	222510	55037 SPG	455037	55078S TIMKE	55078S	55116 SPG	415116
550255	C-R	25X35X7!	55037S SPG	455037	55078SSR SPG	55078S	55116S SPG	415116
550256	C-R	1981	55038 SPG	417512	55079 SPG	455079!	55117 SPG	455117
550257	C-R	1174	55040 SPG	416891!	55079A OSHKO	415899N	55118 C-R	140X170X12!
550257	C-R	38X52X8.5!	55040S SPG	416891!	55079A OSHKO	416624	55118 C-R	710406
550258	C-R	2000	55041 SPG	415041	55079S SPG	455079!	55118 SPG	415551
550258	C-R	224235	550410 C-R	455197N	55080 GARLK	416865!	55118S SPG	415551
550258	C-R	42X58X7!	550410M1 C-R	455197N	55080 SPG	455080	55119 C-R	710406
55025S	SPG	415025	550412 C-R	415196!	55082 SPG	415082	55119 SPG	417598
55026	SPG	455026	550412M1 C-R	415196!	55084 SPG	416239!	5511LA JN-MN	450803
550260	C-R	1213N	550414 C-R	55199=	55084S SPG	416239!	55120 C-R	140X170X15!
550262	C-R	223542	550414M1 C-R	55199=	55085 SPG	415085!	55120 C-R	710406
550262	C-R	35X55X11!	550416 C-R	416888!	55085 SPG	456648	55120 SPG	455406!
550263	C-R	1994	550416 GR-DV	416888!	55086 SPG	417487	55121 C-R	710406
550263	C-R	48X70X9!	550416 MINMA	416888!	55086S SPG	417487	55121 SPG	455121
550264	C-R	1214	550416M1 C-R	416888!	55087 BOSTN	471281!	55123 SPG	455123
550264	C-R	1214N	55041S SPG	415041	55088 BOSTN	254287	55124 SPG	415124
550265	C-R	1981	55042 C-R	455037	55088 SPG	415088	55124S SPG	415124
550267	C-R	710050	55043 SPG	415043	55088 SPG	415088!	55125 C-R	140X170X12V
550267	C-R	712011	55044 C-R	417512	55088S SPG	415088	55125 SPG	417022
55027	SPG	415027	55044M1 C-R	417512	55088S SPG	415088!	55127 C-R	140X180X12!
55027	SPG	415027!	55045 SPG	415045!	55091 SPG	416167!	55127 SPG	417567
550270	C-R	1174	550450 CLARK	45827S	550914R91 IH	471224!	55129 SPG	455129
550270	C-R	1205	55045S SPG	415045!	55091S SPG	416167!	55129S SPG	455129
550270	C-R	1205N	55046 C-R	417513	55093 ONAN	416888!	55130 C-R	416107!
550270	C-R	38X52X8.5!	55046M1 C-R	417513	55093 SPG	411376!	55130 GARLK	417278
550270	C-R	710309*	55048 C-R	416891!	55093S SPG	411376!	55131 TROS	6815
550271	C-R	1187	55048 FAIRB	416891!	55094 AM WH	417488!	55131AX OSHKO	415137!
550271	C-R	47X68X10!	55048 GOODM	416891!	55094 SPG	416444	55131AX OSHKO	418028
550275	C-R	1195	55048 GR-DV	416891!	55094S SPG	416444	55134 SPG	455134!
550278	C-R	1209	55048 SPG	417525	55095 SPG	416271!	55134S SPG	455134!
550279	C-R	1208	55048K GOODM	416891!	55095S SPG	416271!	55136 NATL	455136
550279	C-R	48X72X7!	55049 SPG	416892!	55096 SPG	411245!	55137 SPG	418028
55027N	SPG	415027	55049S SPG	416892!	55096S SPG	411245!	55137 SPG	455137!
55027S	SPG	415027!	5504G P-C	TCS45483	55098 SPG	415302	551377 ADAMS	411245!
55027S	SPG	415027	5505 C-R	313156	55098S SPG	415302	55137S SPG	418028
55028	TIMKE	55028	55050 SPG	417533	550F4 C-R	415036	55137S SPG	455137!
550280	C-R	1969	55053 SPG	415138!	550F48 C-R	416891!	55141Q6 C-R	455037

! Industrial Size/Type * Minor Width Difference = Call 1-800-480-1212 for price and delivery.

Zero Duplication or Recommended Industrial		Zero Duplication or Recommended Industrial		Zero Duplication or Recommended Industrial		Zero Duplication or Recommended Industrial		
Mfr. No.	Name	Mfr. No.	Name	Mfr. No.	Name	Mfr. No.	Name	
55143	C-R	416107!	55195 SPG	472157!	55294S SPG	415294!	55375 SPG	455375=
55143	C-R	455073	55195 SPG	472157	55300 SPG	417601	55377 SPG	417541
55144	SPG	455144	55195HA SPG	472157	55300S SPG	417601	553778 VIC	370048A
55145	SPG	417172	55195S SPG	472157!	55301 SPG	55301S	553778 VIC	380048A
55145S	SPG	417172	55195S SPG	472157	55301S TIMKE	55301S	553778 WHITE	370048A
55146	SPG	415991	55196 SPG	415196!	55305 SPG	415991	553778 WHITE	380048A
55146	SPG	455146!	55196S SPG	415196!	55305 SPG	455146!	55377S SPG	417541
55146S	SPG	415991	55197N SPG	455197N	55305S SPG	415991	55378 SPG	415284
55146S	SPG	455146!	55198 SPG	415198	55305S SPG	455146!	55378N SPG	415284
55147	SPG	415449!	55199 WMG	457295	5531 TIMKE	5531	55378S SPG	415284
55147S	SPG	415449!	55200 SPG	416888!	5531 TMTR	450446	55379 SPG	415379
55148	SPG	417366!	55200N SPG	416888	55310 GARLK	417278	55379 SPG	415379!
55150	C-R	416107!	55200S SPG	416888!	55310 SPG	455310	55379S SPG	415379!
55150	C-R	455073	55202 TROS	417506	55311 SPG	455311	55379S SPG	415379
55150	SPG	415150!	55203 SPG	455203	55313 SPG	416670	5538 TIMKE	5538
55151	SPG	455151	55204 SPG	417515	55315 SPG	415984!	55382R91 IH	473419
55153	SPG	417486	55208 SPG	417526	55315S SPG	415984!	55383 SPG	416956
55153S	SPG	417486	5520814 GMC	415995!	55317 NATL	415317	55383S SPG	416956
55154	SPG	417351!	5521 FULLE	410496!	55317 WMG	415317	55384 SPG	475384
55154S	SPG	417351!	55210 SPG	417534	5532 ALOY	8610	55393 SPG	417511
55156	SPG	417621!	552102R91 IH	471554!	5532 TIMKE	5532	55394 SPG	415394
55156S	SPG	417621!	55211 SPG	416158	5532 TMTR	412473!	55396 SPG	455396
55157	C-R	417361	55213 SPG	417247!	55321 SPG	455321	55397 SPG	455397
55158	SPG	417488!	55213S SPG	417247!	55321S SPG	455321	5539B JN-MN	471835!
551581	C-R	457734	55215S TROS	5458	55322 SPG	417484!	55400 GARLK	415645!
55158S	SPG	417488!	55216 SPG	417539!	55322N SPG	417484!	55402 SPG	455402=
55161	SPG	417490	5522 C-R	314259!	55322S SPG	417484!	5541 C-R	472705!
55165	C-R	5472=	55221 SPG	417606	55327 SPG	415327	55419 TIMKE	417492
55165	SPG	417191	55224 BOSTN	471538!	55328 SPG	455328	5542 C-R	481315V=
55165	SPG	455165!	55225 BOSTN	471612	5532LA JN-MN	417211!*	5542LPD JN-MN	455655!*
55165S	SPG	417191	55226 BOSTN	473380	5533 ALOY	8660S	5543 C-R	472705!
55165S	SPG	455165!	55226 SPG	417570	55330 SPG	455330!	55434 SPG	455434
55169	SPG	417493	55227 SPG	415227!	55331 SPG	417191	554361 FRUEH	370020A
55170	C-R	7006S	55229 SPG	415482	55331 SPG	456585	554364 FRUEH	730009
55170	SPG	417196!	55230 TROS	473228	55332 SPG	415027	554366 FRUEH	HU019A
55170S	SPG	417196!	55232 SPG	416153!	55336 BOSTN	471686	55436AM IH	473367!
55171	SPG	415711	55232S SPG	416153!	55336 SPG	455336	55436AM IH	473367
55172	C-R	370043A	552330 WHITE	471870!	55337 TIMKE	55337	55437 SPG	415437
55172	SPG	416332!	55234 SPG	415234!	5533LA JN-MN	416229	55437S SPG	415437
55172N	SPG	416332!	55234S SPG	415234!	55340 SPG	415991	55442 NATL	415442!
55173	SPG	415437	55236 NATL	415577	55340 SPG	455146!	55447 NATL	415447
55173	SPG	415437!	55238 TIMKE	55238	553408 VIC	370048A	55448 SPG	417262!
55173S	SPG	415437	55244 SPG	417481	553408 VIC	380048A	55450 GARLK	417359
55173S	SPG	415437!	55246 NATL	416919	553408 WHITE	370048A	55454 C-R	417361
55175	C-R	370120A	55249 NATL	455249!	553408 WHITE	380048A	55455 C-R	417361
55176	SPG	417501	55251H SPG	455251H	55341 SPG	417494	55456 C-R	417361
55177	C-R	370120A	55252 HYST	471466!	55342 SPG	417531	55457 C-R	417361
55177	SPG	415379	55253 SPG	455253	55344 SPG	416313	55462 SPG	455462
55177	SPG	415379!	552571 GMC	8610	55347 SPG	417159	554631 GMC	8660S
55179	C-R	456192	552572 GMC	8610	55347S SPG	417159	5546315 SPICE	473454
55179	SPG	417210!	552573 GMC	8610	55349 SPG	415349	554633 SPICE	470059
55179S	SPG	417210!	5526 TIMKE	5526	5534LA JN-MN	413247!	554633 SPICE	470380!
5518	TIMKE	5518	55260 SPG	455260	55350 GARLK	417358	554634 SPICE	471763
55180	C-R	8635S	55263 SPG	415263	55353 TIMKE	55353	554635 SPICE	473454
55180	SPG	417498	55263S SPG	415263	55354 SPG	416404!	554636 SPICE	473231
55181	C-R	456192=	55264 SPG	415867	55354S SPG	416404!	554637 SPICE	473454
551837R91	IH	471766!	5527 TIMKE	5527	55355S SPG	417158!	55464 SPG	417550
55184	SPG	417504	55271 SPG	415725!	55356S SPG	455356	55469 TIMKE	55469
55185	SPG	417211!	552711 GMC	472082=	55357 TIMKE	55357	55471 C-R	416191
55185S	SPG	417211!	55271S SPG	415725!	5535LA JN-MN	473225!	55471 SPG	455471
55186	SPG	417967!	55272 SPG	416706!	55360 TROS	470712!	55473 SPG	417518
55187	SPG	415187	55272S SPG	416706!	55362S TROS	6952S=	55475 BOSTN	472951
55188	SPG	417356!	55279 TROS	7245	55364 SPG	416664!	55475 BOSTN	474252
55188	SPG	455188	55280 SPG	455280	55364S SPG	416664!	55475 NATL	455475
55189	SPG	455189	55281 SPG	417349	55365 NATL	327303!	55476 BOSTN	472649
55189S	SPG	455189	55281S SPG	417349	55368 SPG	415483!	55476 SPG	455476
55191	SPG	455191	55282 SPG	416364!	55368S SPG	415483!	55477 BOSTN	472642
55192	SPG	417357	55282S SPG	416364!	5536LA JN-MN	473229	55477 BOSTN	472642V!
55192	SPG	455192!	5528LA JN-MN	471722!	5536LUP JN-MN	473229	55478 BOSTN	472644!
55192S	SPG	417357	55290 SPG	455290	5537 TIMKE	5537	55479 SPG	417350!
55192S	SPG	455192!	55293 NATL	417584	55371 SPG	415371	55480 SPG	455480!
55194	SPG	455194	55294 SPG	415294!	55371S SPG	415371	55480S SPG	455480!

! Industrial Size/Type * Minor Width Difference = Call 1-800-480-1212 for price and delivery.

Zero Duplication or Recommended		Zero Duplication or Recommended		Zero Duplication or Recommended		Zero Duplication or Recommended		
Mfr. No.	Name	Mfr. No.	Name	Mfr. No.	Name	Mfr. No.	Name	
55481	SPG	417543	5563 SPG	417506	55823R1 IH	5MR1009	55X82X12SC TRSCM	55X82X12!
55482	SPG	415482	55630 SPG	415085!	558245 CHRYS	450073	55X82X12TC TRSCM	55X82X12!
55487	SPG	417555!	55630TB TRSCM	456648	55829 SPG	410825	55X85X10SC TRSCM	55X85X10
55494N	SPG	455956H	55634 SPG	6872S	5582LA JN-MN	471271!	55X85X10TC TRSCM	55X85X10
55494S	SPG	417548	5564 ALOY	2506	5583LPD JN-MN	471747!	55X85X8ASN(32) ISP	55X85X8
55499	SPG	418029!	556452 ACF	415371	55840 SPG	417604	55X88X8SC TRSCM	55X88X8
554D	CALI	415960!	5565 ALOY	410059	55850 GARLK	417362!	55X88X8TC TRSCM	55X88X8
55502	SPG	455583N!	5565 ALOY	470380!	558510XX TIMKE	55X85X10	55X90X13SC TRSCM	55X90X13
55504S	TROS	7412S	5565 ALOY	470380!	55854 SPG	415854	55X90X13TC TRSCM	55X90X13
55509	SPG	455509	5565 ALOY	472189A!	55857 NATL	415857!	55X90X8AS ISP	55X90X8
55513	SPG	417507!	5565 ALOY	9613S	55858 NATL	455858	56 UNIVE	471570!*
55513S	SPG	417507!	55650 C-R	55358=	5586 SPG	5072	5600 ALOY	5699
55513S	SPG	417507!	55650 GARLK	417360	55860 SPG	417480!	56000 BOSTN	472655
55524	TIMKE	55524	556514C91 IH	291099	55861 GMC	476838!	560007R91 IH	472164!
55526S	SPG	417350!	55653 DGASK	2904	55865C1 IH	41461S	56001 BOSTN	472953
5553	SPG	370003A	55655 SPG	455655!	55879D IH	415449!	56002 BOSTN	471904
55536	SPG	455536	5566 ALOY	331301N	558808XX TIMKE	55X88X8	5601 TIMKE	100495
555382R91	IH	473419	5566 ALOY	9015S*	5589 C-R	472705!	5601 TIMKE	5601
555383R91	IH	473438	55661 SPG	455661	5589 TIMKE	5589	560116R91 IH	471835!
555384R91	IH	472636!	556623 ACF	417252	55890 GARLK	417363	56012 EARTH	476838!
555385R91	IH	474274	556672R91 IH	471504!	55896 SPG	2055	5601LA JN-MN	415351!
555386R91	IH	473466	5567 SPG	5092	55901 TROS	50419	5602 TIMKE	4561V
555387R91	IH	50081	55672 SPG	412473!	559013XX TIMKE	55X90X13	5602 TIMKE	5602
555388R91	IH	471747!	556754 ACF	471689!	559032 C-R	416137	5602 WMG	4561V
555389R91	IH	472185!	5567SS JN-MN	471255!	55904 BOSTN	472954!	56024871 BENDI	481073
555390R91	IH	473225!	556808A HARWA	55X68X8!	55905 BOSTN	473197!	5602LA JN-MN	473463
555391R91	IH	470712!	556808XX TIMKE	55X68X8	55906 BOSTN	470596!	5603 TIMKE	5603
555392R91	IH	471224!	55683 SPG	415683	55907 BOSTN	470806	56030 GARLK	417365
555394R91	IH	471137	55685 SPG	455685	55908C DIA	5401	5603LA JN-MN	415036
555395R91	IH	471137	55689 SPG	417353!	5591 TIMKE	5591	5604 TIMKE	5604
555396R91	IH	471766!	55690 SPG	416297	55910 GARLK	416666	560470R91 IH	415458!
555397R91	IH	476838!	556939 CHRYS	473462	5591SS JN-MN	481528	56049J DIA	5751
555398R91	IH	473419	556976 CHRYS	410308!	55921NA SPG	413246	5604M1 C-R	417507
5554	NATL	7378	556D5 DIA	415960!	55925 GARLK	417364	5604M1 C-R	417507!
55547	SPG	415697!	556D5 WHITE	415960	5592B JN-MN	450279*	5605 C-R	718610
55547	SPG	455547	5570 SPG	5072	5592EL SUL	473245!	56050 GARLK	415072
55547S	SPG	415697!	557008XX TIMKE	55X70X8	55949 EARTH	471764!	5605X HYST	473367!
55547S	SPG	455547	55702S TROS	415371	5594LA JN-MN	415371	5605X HYST	473367!
55548	TIMKE	55548	5570LA JN-MN	473232	5594LUP JN-MN	415371	5606 C-R	472705!
55549	SPG	415035!	5571 DIVCO	416738!	55962 EARTH	472012	5606 C-R	718610
55549	SPG	415035	5571 DIVCO	450096	5597LUP JN-MN	472185!	5606 NATL	39817
55556	SPG	455556	55710 GARLK	417361	5598 ALOY	8705S	560680 GMC	3553
55558S	NATL	417780	55718 SPG	415060	5598LUP JN-MN	415001!	560680-850 GMC	3553
55563	TIMKE	417433	55718 SPG	455060	5599 ALOY	8594S	56069LA JN-MN	417273
55563	WMG	417433!	55719 SPG	415960	5599 SPG	343115	5607 C-R	472705!*
55565	TROS	222510	557197 CHRYS	473438	559921 MC-CL	5573	5607 HYST	470050
55565	TROS	25X35X7!	5571LA JN-MN	450311*	559922R91 IH	340823	56071R91 IH	416282
55566	SPG	455566	5571LPD JN-MN	450311	5599LA JN-MN	473010	560754C1 IH	470898
55566S	SPG	455576!	557208XX TIMKE	55X72X8	55HB122 BRADF	471766!	5609 TIMKE	5609
55566S	WMG	455566	5572LA JN-MN	473010	55HB123 BRADF	472015!	5609LA JN-MN	417602!
55576S	SPG	455576!	557369M1 MASSE	473214!	55X10013X TIMKE	55X100X13	5609LUP JN-MN	417602!
55581	SPG	456618	5573LA JN-MN	470625!	55X1007X TIMKE	55X100X7	56100 C-R	417555!
55583N	SPG	455583N!	5573S TIMKE	5573	55X100X10ASN ISP	55X100X7	56101 C-R	417555!
5558B	JN-MN	417604*	5574LA JN-MN	473228	55X100X13SC TRSCM	55X100X13	56101 TROS	416273!
55592S	SPG	455592	557500 ACF	413246	55X100X13TC TRSCM	55X100X13	56102 SPG	416102
55601	SPG	416070	557508XX TIMKE	55X75X8	55X68X8 FORSH	55X68X8!	56103 C-R	5146
55613	SPG	416294!	557510XX TIMKE	55X75X10	55X68X8 SIMRT	55X68X8!	56105 C-R	417555!
55614	WMG	455614	55755SA TRSCM	456192	55X68X8SC TRSCM	55X68X8!	5610LUP JN-MN	415072
55615	SPG	418028	5576 NATL	5650	55X68X8TC TRSCM	55X68X8!	5611LA JN-MN	472144!
55615S	SPG	455137!	557627 ACF	415483!	55X70X8SC TRSCM	55X70X8!	5611TA OSHKO	370036A
55615S	SPG	418028	5576SS JN-MN	414045!	55X70X8TC TRSCM	55X70X8!	5612LA JN-MN	472397!
55618	SPG	416029N!	557782 GMC	472439	55X72X8SC TRSCM	55X72X8!	5613 TIMKE	5613
5562	ALOY	7607	5578 C-R	472705!*	55X72X8TC TRSCM	55X72X8!	561328C91 IH	472016
55620	BOSTN	471276!	557810A HARWA	55X78X10	55X75X10SC TRSCM	55X75X10	561347R91 IH	471571
55620	GARLK	417254	557810XX TIMKE	55X78X10	55X75X10TC TRSCM	55X75X10	56135 C-R	417556
55621	BOSTN	412920!	5579 HYST	473438	55X75X8SC TRSCM	55X75X8	56136 C-R	417556
55621	BOSTN	472950	5579448 AMGEN	714675*	55X75X8TC TRSCM	55X75X8	56137 C-R	417556=
55622	BOSTN	473259	558008XX TIMKE	55X80X8	55X78X10 SIMRT	55X78X10	5613LA JN-MN	415960
55623	BOSTN	473427	55805D IH	473245!	55X78X10SC TRSCM	55X78X10	5613LPD JN-MN	415960
556231	GMC	472439	55820 SPG	455820	55X78X10TC TRSCM	55X78X10	56147 TROS	6960
			55820R91 IH	5MR1009	55X80X8SC TRSCM	55X80X8	56149 BOSTN	472660
			558212XX TIMKE	55X82X12	55X80X8TC TRSCM	55X80X8	5614G P-C	TCS45483

! Industrial Size/Type * Minor Width Difference = Call 1-800-480-1212 for price and delivery.

NUMERICAL

Zero Duplication or Recommended		Zero Duplication or Recommended		Zero Duplication or Recommended		Zero Duplication or Recommended		
Mfr. No.	Name Industrial	Mfr. No.	Name Industrial	Mfr. No.	Name Industrial	Mfr. No.	Name Industrial	
56150	BOSTN	472651V	564403R91 IH	203008	5672855 GMC	7412S	5698 TIMKE	5698
56151	BOSTN	472653!	56444LA JN-MN	473215!	5672997 GMC	471689!	5699 C-R	450536
56153R91	IH	417254	5644LUP JN-MN	473215!	5673120 GMC	7840S	5699 C-R	471535!
56155	C-R	417040	5645 TIMKE	5645	5673121 GMC	7399S!	5699 TIMKE	5699
5615B	JN-MN	416666*	564592R91 IH	472311!	5674114 GMC	254270	569D6 DIA	5408
56160	C-R	417040	564631 SPICE	471820	5675 C-R	240007=	569D6 WHITE	5408
5616B	JN-MN	417554!	564632 SPICE	471646!	567507XX TIMKE	56X75X7	569W328 C-R	456618
56178	TROS	205017	5646OSR JN-MN	417538*	5675600 GMC	340413	56H7688 FORD	340797
5617B	JN-MN	455480!*	5647 C-R	471281!	567816R91 IH	417492	56X68X10SC TRSCM	56X68X10
5618	C-R	471281!	5647B JN-MN	474265	567824R91 IH	290070=	56X68X10TC TRSCM	56X68X10
561892R91	IH	470954!	5648 C-R	471281!	567824R91 IH	472185!	56X70X8AN ISP	56X70X8
5619SH	JN-MN	473228	5649 NATL	370047A!	567826R91 IH	472164!	56X72115XX TIMKE	56X72X11.5
5619SS	JN-MN	473228!*	5649 TIMKE	5649	567829R91 IH	471192	56X72X115SC TRSCM	56X72X11.5
561W4	C-R	417507!	5649B JN-MN	417554!*	567878 CHRYS	470898	56X72X115TC TRSCM	56X72X11.5
561W4	C-R	417507	5650 C-R	471281=	56793698 IG-RA	415085!	56X72X7ASN ISP	56X72X7
561W4-M1	C-R	417507	5650 TIMKE	5650	56793698 IG-RA	456648	56X80X8 SIMRT	56X80X8
561W4-M1	C-R	417507!	5651R JN-MN	417273*	5679R JN-MN	417298*	56X80X8SC TRSCM	56X80X8
56205S	TROS	5589	5652 C-R	471281!	568008A HARWA	56X80X8	56X80X8TC TRSCM	56X80X8
562075R91	IH	415498	56520 TROS	471652	568008XX TIMKE	56X80X8	56X82X8SC TRSCM	56X82X8
562077R91	IH	473454	56520 TROS	482208!	56801S TROS	471267!	56X82X8TC TRSCM	56X82X8
56208	DGASK	408	565280 CHRYS	470898!	568020R91 IH	471571	56X85X8 FORSH	56X85X8
56208-F	REO	370003A	5652R JN-MN	415034!	56803A WHITE	471689!	56X85X8 SIMRT	56X85X8
5620SS	JN-MN	343104	5653 C-R	471281!	5681410 GMC	8059S	56X85X8SC TRSCM	56X85X8
56211	DGASK	411	5654 SPG	5604	5682 TIMKE	5682	56X85X8TC TRSCM	56X85X8
56212	DGASK	412	56544C DIA	415066	568208XX TIMKE	56X82X8	56X88X8SC TRSCM	56X88X8
56214	DGASK	414	56560 TROS	1094=	5682846 GMC	471267!	56X88X8TC TRSCM	56X88X8
56220	DGASK	420	5659SH JN-MN	340930*	5682898 GMC	PSK-1	56X90X8SC TRSCM	56X90X8
56221	DGASK	421	56601S TROS	473231!	5683 C-R	471281!	56X90X8TC TRSCM	56X90X8
5622170	GM	414	5660LA JN-MN	450398	5683373 GMC	PSK-1	57 MYERS	473420
56222	DGASK	422	5660LA JN-MN	471267!	5683898 GMC	8059S	57 UNIVE	472951
56224	DGASK	424	5660LUP JN-MN	450398	568403 CHRYS	473215!	57 UNIVE	474252
56225	DGASK	425RR	5660LUP JN-MN	471267!	568404 CHRYS	473215!	5700 TIMKE	5700
56227	DGASK	427RR	5661 C-R	471281!	568452 CHRYS	450467	5700207 GMC	42352S
56228	DET	428RR	5661151 GMC	472185!	5685 C-R	471281!	5700208 GMC	343186
56228	DGASK	428RR	5661486 GM	471763	5685 TIMKE	5685	5700222 GMC	471535!
56229	DET	429RR	5661486 GMC	471763	568508XX TIMKE	56X85X8	5700223 GMC	471646!
56229	DGASK	429RR	566162R91 IH	415483!	56851 GMC	473419	5700224 GMC	471766!
5624	TIMKE	5624	5661LA JN-MN	471267!	5685355 GMC	PSK-1	5700225 GMC	471787
562411	US-EL	472179	5662 C-R	471281!	5685524 GMC	7013S	5700227 GMC	474278!
562416	C-R	416153!	5662 GILSN	200354	5686 TIMKE	5686	5700SS JN-MN	472311!
562416	CLARK	416153!	566201R91 IH	473232	56860 TROS	1049	5704 NATL	450666
562416M1	C-R	416153!	5662200 GMC	472560N	56861 GMC	476838!	5705 C-R	450536
562491R91	IH	472144!	5662B JN-MN	471760	5686644 GMC	7013S	5705 C-R	471535!
5625	TIMKE	5625	56630H IH	410737!	568674 CHRYS	472394	5706 C-R	471535!*
5626	C-R	240007=	566330 US-EL	474264	568688 CHRYS	472016	5706LA JN-MN	415458!
5626LA	JN-MN	471862*	5663766 GMC	470954!	568690 GMC	470059	5707 C-R	471535!*
5627LPD	JN-MN	470682	5663834 GMC	471413!	568690 GMC	470380!	570793 CHRYS	472409!
5629	TIMKE	5629	5663837 GMC	471267!	568767R91 IH	240731	57080 C-R	145X164X14!
562932C1	IH	370007A	5664016 GMC	471466!	568769R91 IH	473438	57080 C-R	145X164X15!*
5629LPD	JN-MN	471744!	56641S TROS	3103!	568770R91 IH	415458!	57080 C-R	710369
5629R	JN-MN	471744!	5664459 GMC	471646!	5688020 GMC	471538	57085D IH	417316!
562W424	C-R	55367=	5664690 GMC	323138!	568808XX TIMKE	56X88X8	570D6 WHITE	6270
56304	BOSTN	476878=	5665LA JN-MN	471466!	5689 SPG	228020	57110 C-R	145X170X12*
56305	BOSTN	477104=	5666 TIMKE	5666	5689 SPG	80X105X13!	57118 C-R	145X175X15
56305	GOODM	240698	56660 TROS	471195!	5689B JN-MN	457874*	5711S TIMKE	5711
56306	BOSTN	415001!	56665TA TRSCM	417555!	5690 C-R	471281!	57120 C-R	145X175X15
56307	BOSTN	417474	5666LA JN-MN	471224!	5690 TIMKE	5690	57120 TROS	44052
56309	BOSTN	473243	5667 NATL	370023A	569008XX TIMKE	56X90X8	57121 TROS	6954S
5630LA	JN-MN	473449	5667 NATL	417505	56903 JOY	415138!	57122 TROS	44053
5630LUP	JN-MN	473449!	5667 TIMKE	5667	5690LPD JN-MN	473445*	57125 C-R	145X180X12
563149R91	IH	6575S	566701R91 IH	6590S	5691484 GMC	472164!	5712B JN-MN	416273!
5632LPD	JN-MN	413472	5667B JN-MN	55155* =	569186 US-EL	472185!	5714B JN-MN	417350!
5633R	JN-MN	473447	566810XX TIMKE	56X68X10	5692683 GMC	471264!	5715 FULLE	472179
56340	C-R	144X160X12*	56685TA TRSCM	417556	5694 TIMKE	5694	57160 TROS	473317
56343	NOVI	472164!	5668752 GMC	471737=	5695 TIMKE	5695	57160S TROS	473317
563578	CHRYS	415234!	5669LA JN-MN	473234	5696 TIMKE	5696	5717 C-R	471535!
563653	CHRYS	481864	5670060 GMC	473237!	5696537 GMC	7399S!	5718 C-R	471535!
563722	CHRYS	470334!	567008XX TIMKE	56X70X8	569682 US-EL	472164!	57196 US-EL	416339
5639B	JN-MN	473426*	56715TA TRSCM	417040	569684 US-EL	472185!	57196 US-EL	455031!
5640LA	JN-MN	476838!	5671B JN-MN	471466!	569686 US-EL	415988	5719OSR JN-MN	471567!*
56411	BOSTN	477105=	567207XX TIMKE	56X72X7	5696LUP JN-MN	474281!	572 C-R	5M289
5641A	C-R	471466!	567236 CHRYS	413469!	5697 TIMKE	5697	5720 C-R	471535!

! Industrial Size/Type * Minor Width Difference = Call 1-800-480-1212 for price and delivery.

Zero Duplication or Recommended		Zero Duplication or Recommended		Zero Duplication or Recommended		Zero Duplication or Recommended					
Mfr. No.	Name	Mfr. No.	Name	Mfr. No.	Name	Mfr. No.	Name				
57202	TROS	415064	573022362	EL-MO	473445	574562	CHRYS	455249!	575426	C-R	455251H
57203	TROS	417480!	573022363	EL-MO	470961=	574563	CHRYS	455249!	57542S	TROS	471827
572050401	EL-MO	412040	573022374	EL-MO	470590	5745LA	JN-MN	417343!	57544	C-R	415043
572056811	EL-MO	40097S	573022375	EL-MO	295113=	5745LUP	JN-MN	417343!	57544M1	C-R	415043
5720LA	JN-MN	471570!*	573022378	EL-MO	471835!	5746LA	JN-MN	455151	57546	C-R	417514
5720LPD	JN-MN	471570!	573022379	EL-MO	471255!	5747LA	JN-MN	415960	57548	C-R	415045!
5721	C-R	471535!	573022380	EL-MO	416288!	5748LA	JN-MN	476470	57548M1	C-R	415045!
572106	Y-T	411253!	573022383	EL-MO	416041	5749LA	JN-MN	416158*	57549	HYST	471272!
572178	US-EL	472185=	573022385	EL-MO	470605!	574W4	C-R	415041	5754M1	C-R	415041
5722	SKIL	481537	573022386	EL-MO	416345!	574W42	C-R	415371	5755	C-R	471551!
5722LA	JN-MN	471760*	573022387	EL-MO	471554!	574W420	C-R	415371	575583	CHRYS	415041
5723	TIMKE	5723	573022388	EL-MO	416380!	57502R	TROS	472164	575584	CHRYS	415041
5723LA	JN-MN	450342	573022389	EL-MO	416345!	57505	C-R	415447*	5756	C-R	471551!
5723LUP	JN-MN	450342	573022390	EL-MO	416664!	57507	C-R	415447	5756	TIMKE	5756
57240	TROS	410825	573022391	EL-MO	470380!	57508	C-R	417362!	57578	C-R	417364
57248	NATL	39732	573022392	EL-MO	471424!	57509	C-R	417362!	57580	C-R	416029N!
5724LA	JN-MN	471762!	573022393	EL-MO	471646!	5750LA	JN-MN	472572!	57581	C-R	416029
5724LPD	JN-MN	471762!	573022394	EL-MO	450593!	57510	C-R	417362!	57581	C-R	416029N!
572571	CHRYS	473438	573022395	EL-MO	471571	57511	C-R	417362!	57584	JN-MN	416039
5725LA	JN-MN	471763*	573022397	EL-MO	471692!	57512	C-R	417362!	5758B	C-R	416107!
57269	US-EL	340787	573022398	EL-MO	252277	57513	C-R	417362!	5758B	JN-MN	455073
5726LA	JN-MN	471354!*	5730223C18	EL-MO	41081S=	57514	C-R	417362!	57599	C-R	148X170X15
5727	TIMKE	5727	5730LA	JN-MN	473214	57516	C-R	417363	575B420	C-R	415371
5727LA	JN-MN	471766!	5731LA	JN-MN	470950!	57517	C-R	417363	575CP416-L	C-R	416892!
5728LA	JN-MN	471787!	5731LA	JN-MN	6241S	57518	C-R	417363	575H424-T8-L	C-R	415138!
5728LUP	JN-MN	471787!	5731LPD	JN-MN	470950!	57519	C-R	417363	575M426-L	C-R	455251H*
572915	ADAMS	471224!	5731LPD	JN-MN	6241S	5751S	TIMKE	5751	575W4	C-R	415041*
5729496	GMC	416654=	573248101	EL-MO	471466=	5752	HYST	416339	576	AMC	450033
5729LA	JN-MN	450165	573248102	EL-MO	471267=	5752	HYST	455031!	5760R	JN-MN	415991
5729LA	JN-MN	471801!	573248103	EL-MO	471224=	57520	C-R	416666	5760R	JN-MN	455146!
5729LUP	JN-MN	450165	573248104	EL-MO	471413=	57520S	TROS	471652	576209	CHRYS	415041
5729LUP	JN-MN	471801!	573248105	EL-MO	480630=	57520S	TROS	482208!	5764	C-R	471551!
572A4	WHITE	412119!	573248106	EL-MO	472439=	57521	C-R	416666*	5764	TMTR	473238
573	C-R	5M293	573259R91	IH	473214	57522	C-R	417362=	5764SS	JN-MN	471733
573022207	EL-MO	J1111	5732LA	JN-MN	473226*	57523	C-R	416666=	5765	C-R	471551!
573022209	EL-MO	J1109	5732LUP	JN-MN	473226	57528	C-R	416666	5765LA	JN-MN	474255
573022218	EL-MO	J1127	5733	WMG	472016	57529	C-R	416666	57661S	TROS	471195!
573022220	EL-MO	J1125	5733LA	JN-MN	470059	5752B	HYST	416339	576755TA	TRSCM	417362!
573022227	EL-MO	JV1117=	5733LA	JN-MN	470380!	5752B	HYST	455031!	57688R91	IH	456618
573022201	EL-MO	471466!	57340	TROS	470487!	57530	C-R	416666	576DMM422-T8	C-R	415284
573022302	EL-MO	471267!	5734LA	JN-MN	473440!*	57531	C-R	416666*	576DMM426-L	C-R	75251S
573022303	EL-MO	471224!	5734LUP	JN-MN	473440!	575316	C-R	455396	576W4-M1	C-R	370036A
573022304	EL-MO	471413!	573515010	EL-MO	415483	575318	C-R	455402=	576W4-M1	C-R	370349A
573022305	EL-MO	480630!	573515011	EL-MO	473237!	575320	C-R	455436=	576W4-M1	C-R	380036A
573022306	EL-MO	472439	573515014	EL-MO	417344!	5754	C-R	415041	576W4-T8	C-R	370036A
573022307	EL-MO	471272!	5735316	B-L-H	471737	5754	GOODM	415041	576W4-T8	C-R	370349A
573022308	EL-MO	417621!	5735LA	JN-MN	473234	57540	C-R	416666*	576W4-T8	C-R	380036A
573022309	EL-MO	472015!	57360S	TROS	7686S	57540S	TROS	353135	5770	NATL	225010
573022310	EL-MO	473231!	5736LA	JN-MN	472179	57540S	TROS	474278!	5770LUP	JN-MN	416654!
573022311	EL-MO	417349!	5737	C-R	471551!	575410	C-R	417520	5770OSR	JN-MN	416654!
573022312	EL-MO	470898	5737LA	JN-MN	472394	575410M1	C-R	417520	5771LA	JN-MN	415001!
573022313	EL-MO	416404!	5737LUP	JN-MN	472394	575412	C-R	415047	5772	SPG	471141!
573022314	EL-MO	473228!	5738LA	JN-MN	473462	575412M1	C-R	415047	5772A	C-R	471827
573022315	EL-MO	471424!	5739	C-R	471551!	575414	C-R	417525	5772LA	JN-MN	470334!
573022316	EL-MO	472179	5739LA	JN-MN	472397!	575414M1	C-R	417525	5772LUP	JN-MN	470334!
573022321	EL-MO	471950	573H422-T8	C-R	415284	575416	C-R	416892!	57732	MC-CL	481443!
573022322	EL-MO	471652	57403D	IH	472015!	575416	CABOT	416892!	577321	MC-CL	481443!
573022327	EL-MO	473233!	5740LA	JN-MN	472397!	575416M1	C-R	416892!	5773LA	JN-MN	414045!
573022328	EL-MO	475568=	5741SH	JN-MN	412920!	575418	C-R	417533	57764	GRAY	471766
573022332	EL-MO	476341=	57420	TROS	6930	575418M1	C-R	417533	57773	US-EL	415035!
573022333	EL-MO	472258!	57421	TROS	7044NA	575419	C-R	415371	57773	US-EL	415035
573022334	EL-MO	470380!	574238R91	IH	240731	57541R	TROS	331227H	5778	SPG	5778
573022335	EL-MO	416332!	574239R91	IH	472311!	575420	C-R	415371	5778	TIMKE	5778
573022336	EL-MO	473204	574362	CHRYS	455336	575420	MINMA	415371	5778V	TIMKE	5778V
573022337	EL-MO	412040	574384	CHRYS	455336	575420M1	C-R	415371	5779	HYST	473438
573022338	EL-MO	471341!	574389R91	IH	240736	575422	C-R	415284	578010	CHRYS	455151
573022355	EL-MO	474278!	5743LA	JN-MN	413478*	575422M1	C-R	415284	578011	CHRYS	455151
573022357	EL-MO	471570!	5744	C-R	415041*	575423C91	IH	711552	5780SS	JN-MN	471570!
573022358	EL-MO	471692!	57440	TROS	5126	575424	C-R	415138!	5781LA	JN-MN	472924!
573022359	EL-MO	472164!	574424	C-R	415138!*	575424	GOODM	415138!	5782	CATER	450269
573022360	EL-MO	472397!	5744LA	JN-MN	455079!	575424	GR-DV	415138!	5782	TMTR	470334!
573022361	EL-MO	470712!	5744LUP	JN-MN	455079!	575424M1	C-R	415138!	5782LA	JN-MN	471466!

! Industrial Size/Type * Minor Width Difference = Call 1-800-480-1212 for price and delivery.

Zero Duplication or Recommended		Zero Duplication or Recommended		Zero Duplication or Recommended		Zero Duplication or Recommended					
Mfr. No.	Name	Mfr. No.	Name	Mfr. No.	Name	Mfr. No.	Name				
57840S	TROS	7188S	58116	MASTE	340413	5853LA	JN-MN	451583!*	5877LA	JN-MN	417780*
57841	TROS	40494S	5812	C-R	15X28X7	58550	ALLCH	472179	5877YK	JOHND	204035
578513XX	TIMKE	57X85X13	5813	SPG	450307	5855LA	JN-MN	471684!	587809R91	IH	472164!
578576	ALLCH	205017	581333R91	IH	471766!	58560	TROS	1041	58787	C-R	3016
57883	HYST	470409!	58142	CARDX	410694!	58561S	TROS	471344	58787	C-R	456052
57883	HYST	50409	5815	SPG	6064	5857	TIMKE	471224	587H41-L	C-R	6864S
578913-C1	IH	370057A	581646	IH	476838!	5857LA	JN-MN	471571*	587W212-L	C-R	5487
578982	MC-CL	481481	581646R91	IH	476838!	585943-C91	IH	HU110A	5880	C-R	15X40X7
5790	C-R	15X24X7!	5820	C-R	15X30X7!	585K-15	Y-T	352541	588008XX	TIMKE	58X80X8
5790	C-R	2027	5820	C-R	221540	585K-19	Y-T	471821!	58801S	TROS	7013S
5792	NATL	473450!	58201S	TROS	5499 =	585K-21	Y-T	455685	5880LA	JN-MN	450039*
579207	GMC	8139	5821	C-R	15X30X7!	585K-22	Y-T	415196!	5880LPD	JN-MN	450039*
5792LUP	JN-MN	55X72X8!	5821	C-R	221540	585K-23	Y-T	472394	58821	MASTE	471765!
57936	HYST	40494S	5821	SPG	470898	585K-24	Y-T	472397!	5883	C-R	15X40X7
5793SH	JN-MN	471689*	5821SS	JN-MN	470625!	585K-25	Y-T	410737!	5883SS	JN-MN	471526!
5793SS	JN-MN	471689!	5823	HYST	J1129	585K-26	Y-T	472636!	58843	MASTE	471571
579432	GMC	7607	58235078	MACK	AR25	585K-28	Y-T	416556!	58846	KELSE	442251
5796	TIMKE	471316	582413R91	IH	472185!	585K-28	Y-T	472157	588510A	HARWA	58X85X10
579651	ALLCH	473461!	582587C91	IH	370192A	585K-32	Y-T	471344!	588513XX	TIMKE	58X85X13
5797	TIMKE	5797	582587C91	NAVST	370192A	585K-34	Y-T	471821!	588737R91	IH	472193!
579908	ALLCH	204017	5825LA	JN-MN	55155 =	585K-36	Y-T	40576S	588808XX	TIMKE	58X88X8
57F	CLARK	240319	5825LUP	JN-MN	55155 =	585K-39	Y-T	470088	588964	CHRYS	472016
57G	CLARK	417267	5826LA	JN-MN	472439	585K-415	Y-T	471424!	588978C91	IH	417484
57GC186A	MACK	5645	5826LPD	JN-MN	472439	585K-45	Y-T	472397!	589010X	TIMKE	58X90X10
57GC186B	MACK	5645	5827	TIMKE	472179	585K-46	Y-T	471271!	589013C	HARWA	58X90X10
57GC187A	MACK	5039	5827B	JN-MN	471689!	585K-47	Y-T	417349	589208	CHRYS	472394
57X85X13SC	TRSCM	57X85X13	5828R	JN-MN	472144!*	585K13	Y-T	471646!	5892LPD	JN-MN	410102
57X85X13TC	TRSCM	57X85X13	5830	C-R	15X32X8	585S-35	Y-T	40568S	589305	CHRYS	473457!
5800	C-R	15X24X7	5830153	GMC	471766* =	585S-36	Y-T	40576S	5893B	JN-MN	471868*
580028B	SPG	712133	5830526	GMC	455024	585S-37	Y-T	417267	5894	FULLE	415995!
580036C	SPG	580036	5830SS	JN-MN	471192	585S-413	Y-T	472394	589D1	WHITE	472924!
580046	SPG	580046	5831	C-R	15X32X7!	5860	C-R	15X37X6	58N167X	WGEAR	472299
580048C	SPG	580048	5831	C-R	15X32X8!*	586089	CHRYS	5M867	58R035	SHOV	415058
580050C	SPG	580050	5831355	GMC	470954	5861AB	JOHND	474264	58R037	SHOV	55353
580058	SPG	224520	5831LA	JN-MN	481073	58640S	TROS	3103!	58R040	SHOV	417316!
580058C	SPG	580058	5831LUP	JN-MN	481073	58641	AM WH	470530!	58T002	SHOV	470059
580085C	SPG	580085	5832	C-R	15X32X7V	58645C91	IH	471737	58T002	SHOV	470380!
5801	NATL	414045!	5833	SPG	473228	5865	TIMKE	5865	58T063	SHOV	470059
5801	WMG	414045!	583329R91	IH	240736	58660S	TROS	321460	58T063	SHOV	470380!
580154C	SPG	580154	583388C91	IH	100263	5867R	JN-MN	472185!	58T067	SHOV	417269!
5802	C-R	15X24X7!	583388C91	IH	3905	58685D	IH	410059	58T082	SHOV	470059
5802	C-R	2027	5835	C-R	15X32X7V	58685D	IH	470380!	58T082	SHOV	470380!
5803	C-R	221510	5836	TIMKE	5836	58698	AM WH	450474	58T083	SHOV	411376!
580306C	SPG	580306	5837	C-R	15X32X8!	5870	C-R	15X38X7	58T089	SHOV	415498
580315C	SPG	228008	5839	C-R	15X32X7V	58700	C-R	55392 =	58X-1868R3	MACK	442874
580315C	SPG	580315	58394	EATON	370021A	58702	TROS	5072	58X72X8SC	TRSCM	58X72X8
580316C	SPG	3771	584	C-R	5M356	58707	C-R	55392 =	58X72X8TC	TRSCM	58X72X8
580353C	SPG	580353	5840	C-R	15X35X7	5870R	JN-MN	55155* =	58X75X11SC	TRSCM	58X75X11!
580365C	SPG	580365	5841	C-R	15X35X7!	58712	C-R	416476!	58X75X11TC	TRSCM	58X75X11!
580385C	SPG	320595	5841LA	JN-MN	470354*	58715	C-R	416476!	58X80X8SC	TRSCM	58X80X8
580386C	SPG	580386	5842	C-R	15X35X7!	58715TA	TRSCM	416476!	58X80X8TC	TRSCM	58X80X8
580387C	SPG	580387	58423D	IH	415196!	58715TA	TRSCM	417364	58X85X10	SIMRT	58X85X10
580388C	SPG	580388	584346R91	IH	415379	58716	C-R	416476!	58X85X10AN(35)	ISP	58X85X10
580389C	SPG	580389	5844	US-EL	413246	587208XX	TIMKE	58X72X8	58X85X13SC	TRSCM	58X85X13
580390C	SPG	710308	58440	TROS	7216	5872S	TIMKE	472258	58X85X13TC	TRSCM	58X85X13
580391C	SPG	222743	5844R	JN-MN	471424!*	58736	C-R	416476!	58X88X8SC	TRSCM	58X88X8
5804	C-R	15X25X6!	5845	C-R	15X35X7	587372	C-R	472020	58X88X8TC	TRSCM	58X88X8
5804	C-R	221510*	5846	SPG	6064	58741	C-R	416476!*	58X90X10	SIMRT	58X90X10
5804SS	JN-MN	472258!	58461S	TROS	473452	587416	C-R	417531	59005	C-R	150X180X12
5805	C-R	15X26X7	5847	C-R	15X35X7V	587420	C-R	455685	590062	C-R	456462
5806	C-R	15X26X7!	5848	C-R	15X35X7V	587424	C-R	417538	59010	C-R	150X180X12*
58065D	IH	472179	584913R91	IH	472193!	587424M1	C-R	417538	59010	C-R	150X180X15!
5807	C-R	15X26X7!	585-1151	SPICE	4561V	5875	SPG	455280	590133	C-R	55239 =
5808	C-R	15X25X5!	58502R	TROS	7018N =	58751	C-R	416476!	59015A	HERCU	473240!
5808	C-R	221510	585050	CHRYS	470625!	587511XX	TIMKE	58X75X11	590246	C-R	55223 =
5808	NATL	221510	5850D-2011	Y-T	470605!	587541	CHRYS	5921	5903	EATON	415995!
580920	BR-WN	J1138	5850SS	JN-MN	472705!	587542	CHRYS	55337	5903	FULLE	415995!
580980C1	IH	473454	58519	REX	295200 =	58756	C-R	416476!	590312	C-R	455123
580981C1	IH	473010	58519	REX	416888!	58760	C-R	455297*	59035	ALLCH	417487
5810	C-R	15X28X7	5853-K300047	Y-T	415449!	5877	TIMKE	5877	590358	C-R	415124
58101	TROS	7107A =	5853-K304268	Y-T	415379!	587760	CHRYS	412473!	59036	ALLCH	471272!
58102	TROS	7107A =	5853-K304268	Y-T	415379!	587778	GMC	472082	590448	C-R	455966

! Industrial Size/Type * Minor Width Difference = Call 1-800-480-1212 for price and delivery.

Zero Duplication or Recommended		Zero Duplication or Recommended		Zero Duplication or Recommended		Zero Duplication or Recommended		
Mfr. No.	Name	Mfr. No.	Name	Mfr. No.	Name	Mfr. No.	Name	
5D505	CATER	455566	5NH20 ROSS	471689!	60-463-10-1X SPICE	39925	6002155 CLARK	472157
5D6767	CATER	417247!	5P-1884 CATER	330699	600 UNIVE	415072*	600218C SPG	600218
5F0549	CATER	411394!	5P0547 CATER	471442!	600-501-317A VW	370047A	600219C SPG	600219
5F1220	CATER	416476!	5P0711 CATER	471526!	60000 C-R	2297V!	600230 CHRY	5711
5F2422	CATER	471766!	5P0713 CATER	417350	60000 C-R	39807	600231 CHRY	471141!
5F2463	CATER	455117	5P0796 CATER	330699	6000029 GWI	473228!	600231C SPG	600231
5F3178	CATER	415025	5P1072 CATER	493524	60001 VIC	350364	60024 DURA	473236!
5F4258	CATER	471766!	5P1412 LETN	471750!	600016 WAYNE	473227!	6002436 CLARK	415124
5F4258	WESTR	471766	5P1415 ADAMS	471750!	600017 WAYNE	471224!	6002437 CLARK	417567
5F4624	CATER	472016	5P1415 WABCO	471750!	600017C SPG	600017	6002442 CLARK	55228=
5F5422	CATER	471766!	5P1435 ADAMS	470530!	600027C SPG	600027	60025 C-R	415072*
5F549	CATER	411394!	5P1436 WABCO	473215!	60003 C-R	417365	600253C SPG	600253
5F5797	CATER	472179	5P1502 ADAMS	476838!	60003LDS JN-MN	417507	600256C SPG	600256
5F5798	CATER	450307	5P1502 LETN	476838!	60004 C-R	417365	60025LDS JN-MN	473243
5F7730	CATER	417546!	5P1555 ADAMS	455008	600045C SPG	600045	60026 C-R	415072* =
5F7731	CATER	415072	5P1713 CATER	471192	600047C SPG	600047	60026LDS JN-MN	473235!
5H0033	CATER	415001	5P1788 ADAMS	473238	600048C SPG	600048	60027 C-R	415072*
5H1190	CATER	471466!	5P1788 LETN	473238	600050 SPG	600050	6002724 CLARK	455462
5H2184	CATER	472705!	5P3118 CATER	471195=	600056C SPG	600056	6002730 CLARK	470605!
5H3789	CATER	472164!	5P3262 CATER	472572!	600058C SPG	600058	60028 C-R	415072*
5H3792	CATER	411376!	5P3412 CATER	471764!	60006 C-R	415683	600280C SPG	600280
5H4742	CATER	470380!	5P4251 CATER	416919	600062C SPG	600062	600281C SPG	600281
5H4856	CATER	240736	5P4258 CATER	415458	600063C SPG	600063	600284C SPG	600284
5H4894	CATER	416865	5P5299 CATER	417172	600067281 LUF	473463	600286C SPG	52X80X10
5H4904	CATER	416476	5P547 CATER	471442!	600069 ACF	471224!	600287C SPG	600287
5H5021	CATER	471689!	5P6780 CATER	473416	600071C SPG	600071	600288C SPG	53X68X10
5H5241	CATER	471554!	5P6859 CATER	7188S	600072C SPG	600072	60029 C-R	415072
5H572	CATER	472397!	5P6860 CATER	471413=	60008 C-R	415072*	6002LA JN-MN	415991
5H5879	CATER	417621!	5P6868 CATER	415196!	600085C SPG	600085	6002LA JN-MN	455146!
5H6012	CATER	471766!	5P7003 CATER	417603!	600091V SPG	600091	60030 C-R	415072
5H6012	TMTR	471766!	5P7032 CATER	3894V	600092C SPG	600092	60030 VIC	50199S!
5H6012	WESTR	471766!	5P713 CATER	417350!	60010 C-R	415072*	60030 VIC	6863S!
5H6136	CATER	7840S	5P7608 CATER	415449!	60010 VIC	471103!	600300C SPG	600300
5H6406	CATER	313043* =	5P769 ADAMS	415001!	600103C SPG	600103	600301C SPG	600301
5H7628	CATER	471554!	5P796 CATER	330699	60011 C-R	415072*	600304C SPG	600304
5H9753	CATER	470334!	5P8216 CATER	7188S	600112C SPG	600112	60031 C-R	415072
5J3620	CATER	710042	5P8450 CATER	456483* =	600116C SPG	600116	6003117 CLARK	415196!
5J3868	CATER	415437	5P854 ADAMS	470334!	600121C SPG	600121	600317C SPG	600317
5J3937	CATER	40433S	5P9294 CATER	471442	600123C SPG	600123	600319 SPG	5645
5J3942	CATER	447060	5P9440 CATER	471554	600129C SPG	600129	60032 C-R	415072
5J3944	CATER	417596	5R2218 CATER	240698	60013 VIC	471579	600323C SPG	600323
5J8200	CATER	710040	5S2106 CATER	472653	600139 ACF	471224	60033 VIC	474277
5J8225	CATER	710041	5S4408 CATER	415007*	60014 VIC	50010	600332C SPG	600332
5J964	CATER	710034	5S4408 CATER	417483	600141C SPG	600141	600337 SPG	600337
5J9969	CATER	417349	5S4433 CATER	446631=	6001465 CLARK	415725!	600343C SPG	600343
5K0658	CATER	417316!	5S6296 CATER	3813	60015 C-R	415072	600357 SPG	5288
5K0983	CATER	417210!	5S6620 CATER	482230N	600150C SPG	600150	600357C SPG	600357
5K2595	CATER	415995!	5S9022 CATER	2628!	600157C SPG	600157	600361C SPG	600361
5K658	CATER	417316!	5T1012 HU-WR	473016!	60015LDS JN-MN	417556	600370 SPG	5290
5K983	CATER	417210!	5T1013 HU-WR	472157!	60016 C-R	415072*	6004 C-R	417509
5L4757	CATER	415146!	5T1013 HU-WR	472157!	600164C SPG	600164	600408C SPG	600408
5L4757	CATER	415991	5T1014 HU-WR	472439	600166C SPG	600166	60041 VIC	470004!
5L4776	CATER	471271!	5T1014 HU-WR	472439	600167C SPG	600167	600410 C-R	416144
5L5885	CATER	456030N* =	5T1015 HU-WR	456585	600168C SPG	600168	600410M1 C-R	416144
5L8925	CATER	471766!	5T1015 HU-WR	417191	600170C SPG	600170	600412 C-R	416149
5LT1520	MINNM	417433	5T1015 HU-WR	416332!	600178C SPG	600178	600412M1 C-R	416149
5LT1520	OLIVE	417433	5T1220 HU-WR	415196!	600182C SPG	600182	600414 C-R	417526
5LT1534	OLIVE	473214!	5T1225 HU-WR	415196!	600189 SPG	600189	600414M1 C-R	417526
5LT1547	OLIVE	471870!	5T1228 HU-WR	415074	6001904 CLARK	472924!	600416 C-R	416154!
5M0278	CATER	417487!	5X1034 ROCKW	OK1034	600197 Denco	472636!	600416M1 C-R	416154!
5M0278	CATER	417487	5X7501 CATER	415116	6001LA JN-MN	473231	600418 C-R	417534
5M278	CATER	417487!	5X9263 CATER	471760	600203C SPG	600203	600420 C-R	416158
5M278	CATER	417487	5Y158 FED	5408	600204C SPG	600204	600420M1 C-R	416158
5M9734	CATER	471649!	5Y203 FED	5401	6002061 CLARK	415294!	600421 CHRY	471821!
5M9735	CATER	471787!	5Y204 FED	5403	6002077 CLARK	416865!	600422 C-R	417535
5M9736	CATER	472287!	5Y205 FED	5405	6002085 CLARK	455129	600424 C-R	417247!
5M9737	CATER	473229	6-3007 SPICE	442380	600208C SPG	600208	600424M1 C-R	417247!
5M9738	CATER	472164!	6-PS221 C-P	472492!	6002098 CLARK	417606	600426 C-R	416163
5M9739	CATER	473462	6-SPC22 NOVO	472179	6002105 CLARK	416476!	600426M1 C-R	416163
5M9740	CATER	411253!	60-04617 B-L-H	415035	600210C SPG	600210	600428 C-R	416167!
5N4779	CATER	470605!	60-04617 B-L-H	415035!	600212C SPG	600212	600428 MINMA	416167!
5NH20	GEM	471689!	60-42213 B-L-H	471231!	6002155 CLARK	472157!	600428M1 C-R	416167!

! Industrial Size/Type * Minor Width Difference = Call 1-800-480-1212 for price and delivery.

Zero Duplication or Recommended		Zero Duplication or Recommended		Zero Duplication or Recommended		Zero Duplication or Recommended		
Mfr. No.	Name	Industrial	Mfr. No.	Name	Industrial	Mfr. No.	Name	
600430	CLARK	417539!	600988	CATER	455019!	60201S	TROS	5573
600430	MINMA	417539!	600A40010	TROS	417509	60202	VIC	470590
60044	C-R	455203	600A44810	TROS	417247!	60203	TROS	2055
6004404	TROS	45637S	600C5	C-R	415725!	60204	VIC	471137
600445C	SPG	600445	600FM424	C-R	417247!	60217	VIC	450038
60044808	TROS	200642	600G422	C-R	45637S	60220	TROS	451182
60044813	TROS	57248	600HD422	C-R	45637S	60222	VIC	471571
60044M1	C-R	455203	600HD422-T8	C-R	45637S	60224	VIC	471647
60045609	TROS	416167!	600HD426	C-R	345214=	60226	VIC	472951
60045610	TROS	416167!	601	DEXTR	J1110=	60226	VIC	474252
60046	C-R	417515	60101	VIC	471255!	60228	VIC	450039
60046010	TROS	417539!	60101S	TROS	370015A	60233	VIC	451583!
60048	C-R	416137	60102S	TROS	7537S	60235	VIC	471648
60048M1	C-R	416137	60103	TROS	5113	60237	VIC	471688
6004A	C-R	472258	60103	TROS	7721!	602376	ALLCH	473437
6004M1	C-R	417509	601032	SPERY	415991	60239	VIC	450040
6005	C-R	415725!	601032	SPERY	415991!	60242	VIC	472311!
60050013	TROS	415725!	601033	CATER	417509	60245	VIC	471224!
600509C	SPG	600509	601033	SPERY	455134!	602463	ACF	471103!
60051	VIC	471442!	601034	SPERY	417349!	60247	VIC	471649!
600510	ACF	473229	60104	TROS	8243	6025	SPG	415437
600511	ACF	471785!	60105	TROS	205044	60250	VIC	471689!
600512	ACF	472826!	60106	TROS	8976S	60252	VIC	450593!
600513	ACF	471141!	60106	VIC	481073	60254	VIC	471733
600514C	SPG	600514	60107	TROS	418028	60254D	IH	411394!
6005189	CLARK	415645!	60109	VIC	471538!*	60256	VIC	471744!
6005189	CLARK	455104	601093	O-M	254270	60258	GWI	471760
6005191	CLARK	416888!	60111	COC	471553!	60258	VIC	471760*
6005197	CLARK	416229	60111	VIC	471553!	60260	VIC	471760
60052	VIC	471526!	60113	VIC	471579	602632	LAWN	254287
600520C	SPG	600520	60117	CATER	471529	602632	O-M	254287
6005418	CLARK	416239!	60118	VIC	50026	60265	VIC	50209
6005432	CLARK	340413	60120	TROS	7994S	60267	VIC	481650
6005435	CLARK	415072	60128	VIC	480821!	6027	SPG	471413
6005439	CLARK	340927	60132	ALLCH	415146!	6028	EDELM	25598
6005507	CLARK	415551	60132	ALLCH	415991	60282	VIC	480210!
6005552	CLARK	340356	60135	VIC	471554!	60284	VIC	471651
6005616	CLARK	415036	601356F	OLIVE	470774!	60285	VIC	470606!
60057	VIC	471472!	60137	VIC	471567!	60286	VIC	471705!
6005838	CLARK	417020	60139	VIC	471498*	602862	DENCO	471570!
6005839	CLARK	415001!	6013SS	JN-MN	473473	60288	VIC	473419
6005841	CLARK	455584	60140	TROS	41257!	6028LA	JN-MN	471231!
6005842	CLARK	417273	60142	VIC	471684!	60290	VIC	471735
6005844	CLARK	416666	60144	VIC	450033	60294	VIC	450342
600590J	SPG	712134	60149	VIC	481443!	60295	VIC	471762!
6005M1	C-R	415725!	6014SH	JN-MN	471763	60296	VIC	471762!
60060	VIC	471549!	60151	VIC	481568!	602960	LAWN	240733
600604	DENCO	473214!	60153	VIC	481644	602960	O-M	240733
6006286	CLARK	416077	60157	VIC	474273	603	DEXTR	J1122
6006365	CLARK	340787	60162	VIC	471231!	603000	ALLCH	455008
600652C	SPG	600652	60166	VIC	474253	603001	ALLCH	471554!
60067	VIC	471530	60168	VIC	471645	603002	ALLCH	476838!
600750	MICH	415072*	601684	DENCO	416664!	603003	ALLCH	471750!
600750	UNIVE	415072*	601686	DENCO	416664!	603006	ALLCH	471224!
600755E	SPG	3771	60170	VIC	471686	603007	ALLCH	471795
60076	VIC	472705!	60172	VIC	473412	6030076	ALLCH	471795
600766C	SPG	224052	601748	DENCO	417247!	603008	ALLCH	471763
600768C	SPG	600768	601758	CLARK	472179	603009	ALLCH	471570!
60078	VIC	471281!	60177	VIC	473413	60301	VIC	450044
60079	VIC	471281!	60179	VIC	473414	603010	ALLCH	471649
600796C	SPG	600796	6017SS	JN-MN	40494S	60301S	TROS	370021A
600797C	SPG	600797	6018	HYST	417492	60309	VIC	450159
6007LA	JN-MN	471760*	60183	VIC	473415	603101	LAWN	471267!
6007LUP	JN-MN	471760	601872	ALLCH	471733	603101	O-M	471267!
60080	VIC	471535!	60192	VIC	471267!	60314	VIC	472560N!
60082	VIC	471551!	601927	DENCO	473237!	603158	GMC	6936S
60087	VIC	471532	60193	VIC	450398	60318	COC	476838!
60089	VIC	473405	60193	VIC	471267!	60318	VIC	476838!
6008R	JN-MN	471737*	60196	VIC	471570!	60319	VIC	350974!
60090	C-R	415072*	60199	VIC	471633!*	60320	VIC	470712!
60091	VIC	471558	602	UNIVE	457874	60322	VIC	471747!
60096	VIC	471466!	60200	VIC	471646!	603226	ACF	472311!
603235	LAWN	340771	60201S	TROS	5573	603235	LAWN	340771
603235	O-M	340771	600A40010	TROS	417509	603235	O-M	340771
60324	VIC	471763	600A44810	TROS	417247!	60324	VIC	471763
60325	VIC	472644	600C5	C-R	415725!	60325	VIC	472644
60326	VIC	471785!	600FM424	C-R	417247!	60326	VIC	471785!
603289	LAWN	254270	600G422	C-R	45637S	603289	LAWN	254270
603289	O-M	254270	600HD422	C-R	45637S	603289	O-M	254270
60329	VIC	450044*	600HD422-T8	C-R	45637S	60329	VIC	450044*
603290	LAWN	340815	600HD426	C-R	345214=	603290	LAWN	340815
603290	O-M	340815	601	DEXTR	J1110=	603290	O-M	340815
60331	VIC	473428*	60101	VIC	471255!	60331	VIC	473428*
60333	VIC	471764!	60101S	TROS	370015A	60333	VIC	471764!
60335	VIC	473427	60102S	TROS	7537S	60335	VIC	473427
60340	VIC	483054N	60103	TROS	5113	60340	VIC	483054N
60346	VIC	472475	60103	TROS	7721!	60346	VIC	472475
603462	ALLCH	473016!	601032	SPERY	415991	603462	ALLCH	473016!
60347	VIC	473426*	601032	SPERY	415991!	60347	VIC	473426*
60349	VIC	471765!	601033	CATER	417509	60349	VIC	471765!
60351	VIC	453063	601033	SPERY	455134!	60351	VIC	453063
60353	VIC	471354!	601034	SPERY	417349!	60353	VIC	471354!
60357	VIC	473205	60104	TROS	8243	60357	VIC	473205
60359	VIC	474254	60105	TROS	205044	60359	VIC	474254
60373	VIC	450173	60106	TROS	8976S	60373	VIC	450173
6038	SPG	474264	60106	VIC	481073	6038	SPG	474264
60382	OLIVE	472924!	60107	TROS	418028	60382	OLIVE	472924!
60382	VIC	474278!	60109	VIC	471538!*	60382	VIC	474278!
60386	VIC	471750!	601093	O-M	254270	60386	VIC	471750!
60388	AM HO	471766!	60111	COC	471553!	60388	AM HO	471766!
60388	CARVR	471766!	60111	VIC	471553!	60388	CARVR	471766!
60388	VIC	471766!	60113	VIC	471579	60388	VIC	471766!
60390	VIC	471787!	60117	CATER	471529	60390	VIC	471787!
603914	ACF	471413	60118	VIC	50026	603914	ACF	471413
60392	VIC	471787!	60120	TROS	7994S	60392	VIC	471787!
603932C91	IH	47196!	60128	VIC	480821!	603932C91	IH	47196!
603933C91	IH	416921!	60132	ALLCH	415146!	603933C91	IH	416921!
60394	VIC	450177	60132	ALLCH	415991	60394	VIC	450177
60395	VIC	471795	60135	VIC	471554!	60395	VIC	471795
60396	VIC	471795	601356F	OLIVE	470774!	60396	VIC	471795
60398	VIC	450165	60137	VIC	471567!	60398	VIC	450165
60398	VIC	471801!	60139	VIC	471498*	60398	VIC	471801!
603VB7	MARI	415072	6013SS	JN-MN	473473	603VB7	MARI	415072
604	UNIVE	417562	60140	TROS	41257!	604	UNIVE	417562
60402S	TROS	471193	60142	VIC	471684!	60402S	TROS	471193
60403	VIC	470050*	60144	VIC	450033	60403	VIC	470050*
60405	VIC	473424!	60149	VIC	481443!	60405	VIC	473424!
604058	JEFF	470059	6014SH	JN-MN	471763	604058	JEFF	470059
604058	JEFF	470380!	60151	VIC	481568!	604058	JEFF	470380!
604066	WHELA	473010	60153	VIC	481644	604066	WHELA	473010
60407	VIC	450124=	60157	VIC	474273	60407	VIC	450124=
6040LUP	JN-MN	417493	60162	VIC	471231!	6040LUP	JN-MN	417493
6041LA	JN-MN	416654!	60166	VIC	474253	6041LA	JN-MN	416654!
60420	TROS	7457N	60168	VIC	471645	60420	TROS	7457N
60421	GMC	481644	601684	DENCO	416664!	60421	GMC	481644
60421	VIC	450129	601686	DENCO	416664!	60421	VIC	450129
60421	VIC	472826!	60170	VIC	471686	60421	VIC	472826!
60423	VIC	473421	60172	VIC	473412	60423	VIC	473421
60425	VIC	473211!	601748	DENCO	417247!	60425	VIC	473211!
60427	VIC	473212!	601758	CLARK	472179	60427	VIC	473212!
60429	VIC	40769S	60177	VIC	473413	60429	VIC	40769S
6042SS	JN-MN	415303!	60179	VIC	473414	6042SS	JN-MN	415303!
60431	VIC	473213!	6017SS	JN-MN	40494S	60431	VIC	473213!
60434	OLIVE	470059	6018	HYST	417492	60434	OLIVE	470059
60434	OLIVE	470380!	60183	VIC	473415	60434	OLIVE	470380!
60436	VIC	473435	601872	ALLCH	471733	60436	VIC	473435
604372	ALLCH	471766!	60192	VIC	471267!			

Zero Duplication or Recommended Industrial		Zero Duplication or Recommended Industrial		Zero Duplication or Recommended Industrial		Zero Duplication or Recommended Industrial		
Mfr. No.	Name	Mfr. No.	Name	Mfr. No.	Name	Mfr. No.	Name	
604468	CUSH	471267!	60507107 ALFAR	223520!	60603 BL-KN	473234	606910 ALLCH	472185!
604468	O-M	471267!	605093 ALLCH	450311	60603 VIC	473234	606911 ALLCH	470625!
604471	CUSH	471466!	60510 VIC	410190	606034C91 IH	417267	606912 ALLCH	417082
604471	LAWN	471466!	60511 VIC	473440	60605 VIC	473235!	606914 ALLCH	412861
604471	O-M	471466!	60512 VIC	474281!	60607 VIC	474265	606917 ALLCH	415683
604479	ALLCH	417351!	605133 ALLCH	470682	606072C91 IH	417267	606919 ALLCH	473228
60449	VIC	472258*	60513394 ALFAR	713018	60608 VIC	450765!	60692 VIC	473449
6044B	JN-MN	471529	60515781 ALFAR	713006	60609 AM HO	473236!	606920 ALLCH	416339
60450	VIC	470774!	60516684 ALFAR	713014	60609 VIC	473236!	606920 ALLCH	455031!
60451	VIC	470774!	60517110 ALFAR	228480	6061084 WHITE	471272!	60698 VIC	473450
60452	VIC	472287!	6051B JN-MN	450090*	606147 ALLCH	442380	6069SS JN-MN	472705!
60454	IH	471192	60520S TROS	7399S!	60615 VIC	473446	606VB7 MARI	417562
60454	VIC	471192	60521230 ALFAR	713010	60617 VIC	470086	606W412-L C-R	6635S
60454D	IH	471192	60521293 ALFAR	713013	606185C91 IH	416107!	607 BUTBN	40337S
604557	ALLCH	473228	60521S TROS	473214	606185C91 IH	455073	60700 VIC	450090*
60456	VIC	473214	60522 TROS	480210!	60620 VIC	50327*	60708 VIC	473451!
60458	VIC	473215!	605249 ALLCH	472164!	60620S TROS	473237	60712 VIC	473452
60459	VIC	473215!	60524D IH	411394!	60622 VIC	450068	607143R91 IH	472164!
60462	VIC	470950!	60530 VIC	472299*	606230 CHRYS	5711	607152R91 IH	473215!
60462	VIC	6241S	60531 VIC	472299	606237C91 IH	471442!	607154R91 IH	473426
60463	VIC	471835!	60532 VIC	471821!	60624 VIC	50075=	60718 VIC	473453
604634	SPICE	417316!	60534 VIC	471827*	60624D IH	418029!	6071LA JN-MN	412119!
604634-1	SPICE	417316!	60536 VIC	473229	60625D IH	455500	60720 TROS	5390
604634-2	SPICE	417316!	60537 VIC	450143	60626 VIC	50191	607208B HARWA	60X72X8
604634-3	SPICE	417316!	60538 VIC	470682	606293R92 IH	411245!	607208XX TIMKE	60X72X8
604635	SPICE	415995!	60539 VIC	471316	60632 VIC	50081	60725 VIC	472439
604636	SPICE	100495	6053B JN-MN	450133*	60635 VIC	450400*	60727 VIC	471868*
604636	SPICE	417349	60540 VIC	471316	60638 VIC	472164!	60728 VIC	471868
604636-1	SPICE	100495	60540S TROS	474260	6064 SEAMA	472636!	6072LA JN-MN	455191
604636-1	SPICE	417349	60541 VIC	450803*	6064 TIMKE	6064	6072LUP JN-MN	455191
604637	SPICE	415995!	60541R TROS	331228H	60640 VIC	472164!	60730 VIC	472572!
604638	SPICE	417316	60542 VIC	473441	60640S TROS	3095	60732 VIC	473179!
604638-1	SPICE	417316!	60543 VIC	473442!	60641 VIC	472185!	60734 VIC	414045!
60464	VIC	450776!	60549 VIC	450065	60642 VIC	472193!	60735 VIC	473238!
60465	VIC	473197	60551 VIC	482253	60643 VIC	472185!	60736 VIC	473238
60473	VIC	50254=	60553 VIC	451469	60644 VIC	470334!	6073LA JN-MN	417487
60476	VIC	473224!	60555 VIC	450274	60645 VIC	470334!	6073LUP JN-MN	417487
604762	UNIVE	457874	60556429 ALFAR	713017	60646 VIC	472179	6074 TIMKE	6074
604763	MICH	457874	605582A WHITE	455197N	606469R91 IH	200881	60740 TROS	5576
60478	AM HO	473016!	60560701 ALFAR	713007	60648 VIC	473447	60740 VIC	450084!
60478	VIC	473016!	60562 VIC	473231	6064LA JN-MN	417542	60741 TROS	5095
60480	VIC	473225!	60564 VIC	473367	6065 SPG	413478	60742 VIC	473239
60484	AM HO	474264	60564 VIC	473367!	606535C91 IH	456055V=	60744 VIC	473457!
60484	VIC	474264	60567607 ALFAR	713015	60655 VIC	471141!	60745 VIC	473240!*
60485	VIC	471862	60568 VIC	473010	60656 VIC	471141!	60746 VIC	473458!*
604866100	EATON	50209	605686 GMC	471231!	606567C1 IH	JX1137=	60749 VIC	410524
60489	VIC	473438	60569298 ALFAR	713012	606568C91 IH	416557	607498 GMC	472016
6048R	JN-MN	472150	60569304 ALFAR	713009	606568C92 IH	416557	607508XX TIMKE	60X75X8
60492	GRAY	476470	6056LA JN-MN	473010	60660 VIC	473313	607538 GMC	417316!
60493	GRAY	416339	6056LUP JN-MN	473010	60663 VIC	470088*	60755VTA TRSCM	415072
60493	GRAY	455031!	60570 VIC	473232	606660C91 IH	415995!	607569 GMC	470530!
60493	VIC	473439!	60572 VIC	481864	606676C1 IH	JX1252=	607589 GMC	415449!
60494	VIC	474276!	60574 AM HO	474274	606677C91 IH	470774!	607590 CLARK	415449!
60497	VIC	453065	60574 VIC	474274	60668 VIC	6936S	60766 VIC	473459
604973	ALLCH	416888!	6057LA JN-MN	473010	60671 VIC	50266	60767 VIC	472144!
604973	ROCKW	416888!	60580 VIC	473444	60673 VIC	450269	607670 GMC	415449!
604974	ALLCH	455375=	60581 VIC	414268!	60675 VIC	450285	6076861 BENDI	471747!
604974	ROCKW	455375=	605816 GMC	473215!	606750C91 IH	412119!	6077 TIMKE	6077
60498	VIC	470625!	605823 GMC	450593!	606751C91 IH	471766!	60771 VIC	472394
604986	ALLCH	415458!	60583 VIC	450335*	606752C91 IH	471766!	60773 VIC	473461!
6049C	DIA	370036A	605836 GMC	471224!	606778C91 IH	417344!	60773 VIC	65X85X10
604A42410	TROS	370030A	60584 VIC	450467	606778C92 IH	417344!	60775 VIC	471391!
6050-101-2	TRMBL	416158	60585 VIC	450260	606778C93 IH	417344!	60777 VIC	473462
60500	CLARK	470059	60589 VIC	450073	606779C1 IH	J1515=	60781 VIC	450446*
60500	CLARK	470380!	605898 ALLCH	471224!	606779C2 IH	JX1576=	60782 JAE	472492!
60500	VIC	470059	605898 ROCKW	471224!	6068 SEAMA	473016!	60782 MASSE	472492!
60500	VIC	470380!	605D6 WHITE	5401	60683 VIC	450089*	60782 VIC	472492!
60500516	ALFAR	713001	605VB7 MARI	417596	60688 VIC	472070	60786 VIC	472924!
60502S	TROS	471341!	606 C-R	5M445	606892C91 IH	416287	607861R91 IH	471341!
60503646	ALFAR	713011	606 UNIVE	417563	606892C91 IH	416288!	607862R91 IH	476838!
60504	VIC	471820	606-D831 BENDI	415035	60690 VIC	471866!	60787 BL-KN	472924!
60506	VIC	473228	606-D831 BENDI	415035!	606908 ALLCH	471785!	60787 VIC	472924!

! Industrial Size/Type * Minor Width Difference = Call 1-800-480-1212 for price and delivery.

Zero Duplication or Recommended		Zero Duplication or Recommended		Zero Duplication or Recommended		Zero Duplication or Recommended					
Mfr. No.	Name	Mfr. No.	Name	Mfr. No.	Name	Mfr. No.	Name				
60790	VIC	470530!	608722	GMC	471224!	60968	VIC	417344!	60G151	GR-DV	415960!
60791	GRAY	472951	60873	VIC	455136	6096LA	JN-MN	472636!	60G152	GR-DV	472144!
60791	GRAY	474252	60875	VIC	411376!	60970	VIC	417158!	60G155	GR-DV	415988
60794	VIC	472397!	60877	VIC	415234!	60972	VIC	416921!	60G157	GR-DV	417343!
60796	VIC	473463*	608775	MICH	417562	60974	VIC	417134	60G16	GR-DV	417269!
60798	VIC	473242	608775	UNIVE	417562	60975	VIC	416921!	60G162	GR-DV	476470
607A	BUTBN	40337S	60879	VIC	55337	60979	VIC	416654!	60G164	GR-DV	411253!
607VB7	MARI	455121	60883	VIC	411394!	60981	VIC	417486	60G17	GR-DV	415645!
608	UNIVE	416229	608839	VICK	471224!	60986	VIC	415995!	60G17	GR-DV	455104
60800	VIC	473464!	60885	VIC	411394!	60987	VIC	415995!	60G171	GR-DV	415124
60800	VIC	473464	60887	VIC	410694!	60988	VIC	415995!	60G177	GR-DV	455129
608008XX	TIMKE	60X80X8	60889	VIC	416444	60991	VIC	417351!	60G18	GR-DV	470059
60801	GRAY	473423	6088LA	JN-MN	471760	60993	VIC	417487	60G18	GR-DV	470380!
60801S	TROS	471538	60893	VIC	413246	60996	VIC	415088	60G186	GR-DV	415116
60802	VIC	410102	60894	VIC	412119!	60996	VIC	415088!	60G187	GR-DV	415219
60805219	ALFAR	713003	60895	VIC	410987!	60997	VIC	455019!	60G188	GR-DV	471442!
60806372	ALFAR	713002	60895	VIC	450686	60998	AM WH	471760	60G19	GR-DV	416288!
60808	VIC	5877*	60896	VIC	410987!	60998	VIC	415088!	60G2	GR-DV	416339
6081	SPG	412871!	60897	VIC	416271!*	60998	VIC	477163N	60G2	GR-DV	455031!
60810	VIC	472012	60898	BU-SP	416271!	609VB7	MARI	417298	60G2	GR-DV	416229
60812	VIC	450307	60898	VIC	416271!	60DD20	GR-DV	473230!	60G203	GR-DV	415035
60814	VIC	450311	608VB7	MARI	416229	60DD64	GR-DV	417254	60G21	GR-DV	415023
60815	GRAY	450400	609008XX	TIMKE	60X90X8	60DD83	GR-DV	417172	60G217	GR-DV	415088!
60816	VIC	416738!	60901	TROS	470954!	60DD92	GR-DV	473239	60G217	GR-DV	415088
60816	VIC	450096	609010A	HARWA	60X90X10	60G1	GR-DV	416921!	60G22	GR-DV	472179
60817	VIC	416738!	609010XX	TIMKE	60X90X10	60G10	GR-DV	415025	60G220	GR-DV	415023
60817	VIC	450096	60902	AM HO	411500	60G100	GR-DV	415034!	60G221	GR-DV	476470
60819	VIC	450313	60902	VIC	411500*	60G103	GR-DV	415960	60G222	GR-DV	416556!
6081SS	JN-MN	410308!	60903	AM HO	450104	60G104	GR-DV	417487	60G222	GR-DV	472157
6081SS	JN-MN	473468	60903	VIC	450104	60G105	GR-DV	417487	60G224	GR-DV	417366!
6082	SPG	473473	60905	AM HO	411245!	60G106	GR-DV	418029!	60G226	GR-DV	472015!
608207XX	TIMKE	60X82X7	60905	VIC	411245!	60G107	GR-DV	415027	60G227	GR-DV	473232!
608212XX	TIMKE	60X82X12	60907	VIC	417073*	60G107	GR-DV	415027!	60G228	GR-DV	415088
60827	VIC	470898	6090S	TIMKE	6090S	60G108	GR-DV	471570!	60G228	GR-DV	415088!
60829	VIC	453066	60911	VIC	471271!	60G109	GR-DV	417546!	60G229	GR-DV	472397!
60829	VIC	470898!	60913	VIC	410496!	60G11	GR-DV	416077	60G23	GR-DV	473245!
60833	VIC	473467	60914	VIC	470605!*	60G110	GR-DV	471466!	60G230	GR-DV	415449!
60834	VIC	472015!	60918	VIC	415449!	60G111	GR-DV	474278!	60G236	GR-DV	471413!
608343	GMC	471760	6091LA	JN-MN	416107!	60G112	GR-DV	470334!	60G238	GR-DV	455134!
60835	GRAY	471466!	6091LA	JN-MN	455073	60G112	GR-DV	50289	60G239	GR-DV	473245!
60835	VIC	472015!	60920	VIC	415001!	60G113	GR-DV	470590	60G24	GR-DV	471750!
60836	TIMKE	414	60922	VIC	416273!	60G114	GR-DV	471766!	60G242	GR-DV	415551
60837	VIC	410308!	60925	VIC	415302	60G116	GR-DV	470334!	60G244	GR-DV	417172
60839	VIC	472016	60926	VIC	455280	60G118	GR-DV	415302	60G246	GR-DV	470059
6084	NATL	353141!	60927	VIC	415988	60G12	GR-DV	417298	60G246	GR-DV	470380!
60841	VIC	472409!	60928	VIC	411330!	60G120	GR-DV	471192	60G247	GR-DV	473231
60843	VIC	473243	609289	WHELA	415072	60G121	GR-DV	473205	60G25	GR-DV	457874
60845	VIC	413469!	60929	VIC	415483!	60G122	GR-DV	40301S	60G250	GR-DV	471413
60845610	TROS	417267	6093	NATL	471442!	60G123	GR-DV	40301S	60G251	GR-DV	415483!
60845R91	IH	415449!	60930	VIC	412871!	60G124	GR-DV	472157!	60G252	GR-DV	470334!
6084LA	JN-MN	471224!	60931	AM WH	473367!	60G124	GR-DV	472157	60G252	GR-DV	50289
6084LUP	JN-MN	471224!	60931	AM WH	473367	60G125	GR-DV	472810!	60G254	GR-DV	417316!
608508XX	TIMKE	60X85X8	60932	VIC	415458!	60G125199	GR-DV	415227!	60G258	GR-DV	415984!
608512XX	TIMKE	60X85X12	60934	VIC	417343!	60G125200	GR-DV	417298	60G259	GR-DV	415198
60853	VIC	473471*	60935	GRAY	450457	60G125201	GR-DV	415196!	60G26	GR-DV	416865!
60856	VIC	470354	60936	VIC	415007	60G125202	GR-DV	415090	60G27	GR-DV	476470
60858	VIC	473245!	6093SH	JN-MN	471466*	60G128	GR-DV	450111	60G28	GR-DV	416476!
608586	CLARK	472185!	6093SS	JN-MN	471466!	60G13	GR-DV	416666	60G29	GR-DV	415072
6085LA	JN-MN	415066	60943	VIC	455151	60G130	GR-DV	471760	60G3	GR-DV	415458!
6085LPD	JN-MN	415066	60945	VIC	455008	60G131	GR-DV	471652	60G30	GR-DV	416888!
6086	PETTI	415988	60949	VIC	416664!	60G132	GR-DV	473224!	60G31	GR-DV	416271!
60861	VIC	412943*	60950	VIC	457291	60G133	GR-DV	340771	60G32	GR-DV	476470
60862	VIC	473471	609508XX	TIMKE	60X95X8	60G134	GR-DV	450457	60G33	GR-DV	417567
60863	VIC	471341!	609510A	HARWA	60X95X13	60G135	GR-DV	450165	60G34	GR-DV	470059
60864	VIC	471272!	60952	VIC	415984!*	60G135	GR-DV	471801!	60G34	GR-DV	470380!
60866	VIC	473473	60953	VIC	417316!	60G14	GR-DV	412119!	60G35	GR-DV	472397!
60867	VIC	410737!	60954	VIC	417316!	60G141	GR-DV	416239!	60G36	GR-DV	417211!
60868	VIC	472636!	60956	VIC	415960!	60G142	GR-DV	417603!	60G38	GR-DV	473460
60868N	VIC	472636!	60961	VIC	455005	60G145	GR-DV	470328	60G39	GR-DV	417191
6086LA	JN-MN	415090	60963	VIC	417485	60G145	GR-DV	481213!	60G39	GR-DV	456585
60870	VIC	411253!	609638A	WHITE	470898	60G15	GR-DV	417316!	60G4	GR-DV	415995!
60872	VIC	412920!	60964	VIC	2081	60G150	GR-DV	455005	60G40	GR-DV	411245!

! Industrial Size/Type * Minor Width Difference

Zero Duplication or Recommended Industrial		Zero Duplication or Recommended Industrial		Zero Duplication or Recommended Industrial		Zero Duplication or Recommended Industrial		
Mfr. No.	Name	Mfr. No.	Name	Mfr. No.	Name	Mfr. No.	Name	
60G41	GR-DV	415449!	60X72X8TC TRSCM	60X72X8	61078 VIC	415991	61167 JAE	415035!
60G42	GR-DV	450274	60X75X8SC TRSCM	60X75X8	61078 VIC	455146!	61167 JAE	415035
60G43	GR-DV	417602!	60X75X8TC TRSCM	60X75X8	61079 GWI	415991	61167 VIC	415035
60G44	GR-DV	417604	60X80X8SC TRSCM	60X80X8!	61079 GWI	455146!	61167 VIC	415035!
60G45	GR-DV	472179	60X80X8TC TRSCM	60X80X8!	61079 VIC	415991	61169 VIC	417356!
60G46	GR-DV	470682	60X82X12SC TRSCM	60X82X12!	61079 VIC	455146!	61169 VIC	455188
60G47	GR-DV	450165	60X82X12TC TRSCM	60X82X12!	6107OSR JN-MN	473215!*	6117 SPG	410708
60G47	GR-DV	471801!	60X82X7ASN ISP	60X82X7	6108 C-R	340387	61171 VIC	417357
60G48	GR-DV	474265	60X85X8SC TRSCM	60X85X8	61081 VIC	417196!*	61171 VIC	455192!
60G49	GR-DV	472394	60X85X8TC TRSCM	60X85X8	610813 MICH	417298	61173 VIC	417357
60G5	GR-DV	416339	60X90X10 FORSH	60X90X10	61083 VIC	415437*	61173 VIC	455192!
60G5	GR-DV	455031!	60X90X10 SIMRT	60X90X10	610866C92 IH	412040	61174 VIC	416130!
60G50	GR-DV	472016	60X90X10SC TRSCM	60X90X10	610867C92 IH	411394!	61175 VIC	415036
60G51	GR-DV	473225!	60X90X10TC TRSCM	60X90X10	610870C92 IH	417344!	611758 ALLCH	473460
60G52	GR-DV	472179	60X90X8SC TRSCM	60X90X8	6108B JN-MN	416956*	61176 VIC	417507!
60G53	GR-DV	472924!	60X90X8TC TRSCM	60X90X8	6108LUP JN-MN	416956	61176 VIC	417507
60G54	GR-DV	411245!	60X95X13 SIMRT	60X95X13	61090 VIC	415711*	611760 ALLCH	416865
60G55	GR-DV	416654!	60X95X8SC TRSCM	60X95X8	61092 VIC	417497*	611761 ALLCH	415035
60G56	GR-DV	416288!	60X95X8TC TRSCM	60X95X8	61094 OLIVE	415483!	611763 ALLCH	415254
60G57	GR-DV	415995!	61-A2652 BENDI	415035!	61094 VIC	417498*	611764 ALLCH	473452
60G58	GR-DV	417196!	61-A2652 BENDI	415035	61095 VIC	417498	61177 VIC	415041
60G59	GR-DV	417205!	610 UNIVE	417298	61096 VIC	55028	611770 SPERY	415035
60G6	GR-DV	415058	61002 VIC	55155=	61099 VIC	455402=	61178 VIC	415041*
60G60	GR-DV	416891!	61004 VIC	455015	611 CALI	415234!	61179 VIC	417509*
60G61	GR-DV	474264	6100B JN-MN	416153!	61101 VIC	416332!	61181 VIC	417223
60G62	GR-DV	472179	6100LPD JN-MN	416153!	61101S TROS	7607	61186 VIC	55193*=
60G63	GR-DV	415187	6101 TIMKE	6101	61102 TROS	8139	61188 VIC	455037
60G64	GR-DV	413469!	61012 VIC	6754S=	61103 TROS	291295	6119 C-R	340849
60G65	GR-DV	413469!	61013 VIC	417621!	61103 VIC	415937!	61197 VIC	455134!
60G66	GR-DV	415349	610136C91 IH	473214!	611035 WOOL	472179	61199 VIC	415142*
60G69	GR-DV	470806	61015 VIC	416288!*	61103D IH	471192	611D CALI	415234!
60G7	GR-DV	415138!	61018 VIC	417171!	61104S TROS	331301N	612 UNIVE	417596
60G70	GR-DV	472185!	61019 VIC	417172	61105 VIC	417355!*	6120 C-R	253747!
60G71	GR-DV	472016	61020 VIC	415021	61108 VIC	416125!	6120 C-R	340849
60G72	GR-DV	474274	61022 VIC	415394	61109 VIC	416125!*	6120 O-M	343185
60G73	GR-DV	415991	61024 VIC	456105*	61112 VIC	417501*	612000 CLARK	410059
60G73	GR-DV	455146!	61026 VIC	417490*	61116 VIC	55030	612000 CLARK	470380!
60G8	GR-DV	470530!	61027 VIC	455336*	61116M1 MASSE	JV1215=	61201 VIC	417512
60G83	GR-DV	417191	61028 VIC	455022	61117 VIC	55646*=	61203 VIC	415043
60G84	GR-DV	417210!	6103 C-R	710274	61117M1 MASSE	200752	61203S TROS	471821!
60G85	GR-DV	471705!	610318C91 IH	411376!	61120 TROS	472164	61205 VIC	455203*
60G86	GR-DV	472572!	61033 VIC	476470	61121 VIC	415379	61207 VIC	455056
60G87	GR-DV	417366!	610336C91 IH	417316!	61121 VIC	415379!	61210 C-R	455330!
60G88	GR-DV	455151	610337C91 IH	416557=	61123 VIC	417205!*	61212 VIC	455194*
60G89	GR-DV	417351!	61036 VIC	417181!*	61125 VIC	416339	61214 VIC	417513
60G9	GR-DV	411253!	61038 VIC	418028	61125 VIC	455031!	61216 VIC	417514
60G90	GR-DV	417621!	61038 VIC	455137!	61127 VIC	415150!*	61220 C-R	455330!
60G91	GR-DV	470334!	61040 VIC	418028	6112R JN-MN	470898	61220 VIC	417516
60G91	GR-DV	50289	61040 VIC	455137!	61134 VIC	455178=	61221 C-R	455330!
60G92	GR-DV	415021	61041 VIC	417353!	61136 VIC	417504*	61222 VIC	415058*
60G95	GR-DV	470334!	61042 VIC	415023	61138 VIC	455032!	61225 VIC	472157!
60G95	GR-DV	50289	610465C91 IH	450593!	6113LA JN-MN	470898	61225 VIC	472157
60G96	GR-DV	472397!	61047 VIC	416292*	6113LPD JN-MN	470898	61227 VIC	415196!*
60G97	GR-DV	473245!	6105 C-R	340387	6113LUD JN-MN	470898	61229 VIC	416891!
60G9763	GR-DV	415090	61051 VIC	415085!	61140 VIC	455189*	6122LA JN-MN	474265
60G9764	GR-DV	417298	61051 VIC	456648	6114180 GMC	417316!	6122LUP JN-MN	474265
60G9765	GR-DV	415196!	610521 GMC	456744N	61145 VIC	417210!*	61232 VIC	416891!
60G98	GR-DV	470059	61054 VIC	455024	61147 VIC	417211!*	612336 ACF	470954
60G98	GR-DV	470380!	61059 VIC	412473!	6115 SPG	473463	61234 VIC	416137*
60G99	GR-DV	416288!	61061 VIC	417191	61150 VIC	416345!	61235 VIC	417518*
60J175	GR-DV	415294!	61061 VIC	456585	61150 VIC	455033	61236 VIC	415058
60N1617	WGEAR	471224!	61062 VIC	417191	61151 VIC	417366!*	6124 SPG	470954
60X10010XX	TIMKE	60X100X10	61062 VIC	456585	61152 VIC	415697!	61240 C-R	415074
60X100X10SC	TRSCM	60X100X10	610626C91 IH	416664=	61152 VIC	455547	61240S TROS	7886S
60X100X10TC	TRSCM	60X100X10	61063 VIC	417354!*	61156 VIC	417967!*	61241 VIC	455197
60X11008XX	TIMKE	60X110X8	610632C91 IH	416664=	61158 VIC	415034!	61241 VIC	455197N
60X110X8SC	TRSCM	60X110X8	61064 VIC	455249!	6116 HYST	415645!	61243 VIC	417520
60X110X8TC	TRSCM	60X110X8	61065 VIC	415025	61160 VIC	455191*	61245 VIC	416144
60X171	GR-DV	415124	61070 VIC	417492*	61161 TROS	42101S	612462R91 IH	471341!
60X72X8	FORSH	60X72X8	610712C92 IH	417349!	61161 VIC	417506	61247 VIC	417238
60X72X8	SIMRT	60X72X8	61072 VIC	417493*	61164 VIC	457294	61248 C-R	415074
60X72X8SC	TRSCM	60X72X8	61074 VIC	455026	61165 VIC	415187	6125 C-R	343105!

! Industrial Size/Type * Minor Width Difference = Call 1-800-480-1212 for price and delivery.

Zero Duplication or Recommended		Zero Duplication or Recommended		Zero Duplication or Recommended		Zero Duplication or Recommended					
Mfr. No.	Name	Mfr. No.	Name	Mfr. No.	Name	Mfr. No.	Name				
6125	C-R	7399S	6135	C-R	351487	6146LUP	JN-MN	415035!	6164	SEAMA	412119!
61250	C-R	415074*	61350	VIC	417541*	6146LUP	JN-MN	415035	61640009	TROS	417223
61252	VIC	415196!*	6135090	FORD	713087	6147	C-R	7188S	61641209	TROS	417516
61254	VIC	415047	61354	VIC	417546!*	614702	GERL	415559	61641609	TROS	415058
61255	C-R	457874	613558C91	IH	415351!	614729	CLARK	471760	61642409	TROS	370019A
61256	VIC	416149*	61359	VIC	415645!	614733	CLARK	471570!	61643609	TROS	457585
61257	VIC	6635S	61359	VIC	455104	61474	VIC	455123*	61644009	TROS	370021A
61258	VIC	415060	6135B	JN-MN	450472!*	614740	CLARK	471787	61646009	TROS	417273
61258	VIC	455060	61364	VIC	415938*	61479	VIC	415124*	61650009	TROS	416865
6125SH	JN-MN	40328*	613640C91	IH	416865	6148	C-R	351487	61650010	TROS	416865
61261	C-R	457874	61369	AM HO	416107!	61489	BUC-E	417604	61650014	TROS	416865!
61263	VIC	457295	61369	AM HO	455073	61489	VIC	417604*	61650809	TROS	417258
61266	VIC	417525	61369	BUC-E	416107!	61494	VIC	417567*	61650811	TROS	417258
61268	VIC	417526*	61369	BUC-E	455073	6149LA	JN-MN	455194*	61651607	TROS	417262!
612692R91	IH	471341!	61369	VIC	416107!	6150	C-R	7188S	61651609	TROS	417262!
612693R91	IH	476838!	61369	VIC	455073	61500	VIC	415128*	6165RPD	JN-MN	415697!
6127	TIMKE	6127	61374	VIC	417556*	6150037	FORD	331107N	6165RPD	JN-MN	455547
61270	VIC	415351!	61379	VIC	416666*	61507S	TROS	7442H	616654	CLARK	40059S
61272	VIC	415351!	6138	C-R	7188S	615098C91	IH	416404=	61670	AM WH	415645!
61275	VIC	416888!	61384	VIC	416476!	61509S	TROS	342805	61670	AM WH	455104
61277	VIC	416153!	61389	BUC-E	415072	6151	C-R	351487	6168	C-R	471466!
61277R91	IH	472636!	61389	VIC	415072*	61510	VIC	415090*	616800	UNIVE	416229
612787	UNIVE	417563	6138LA	JN-MN	470898	61510S	TROS	7751H	6168LA	JN-MN	455292=
612788	MICH	417563	6139	C-R	7188S	61512S	TROS	473228!	6169	C-R	471466!
61279	VIC	416892!	613901C91	IH	416287	61514S	TROS	8421S	61692R91	IH	417344!
61281	VIC	416154!*	613901C91	IH	416288!	61515	VIC	55218* =	6169LA	JN-MN	416364!
61282	VIC	416070	613938	WHITE	472636!	615166	CLARK	471264!	616A42410	TROS	370019A
61283	VIC	415351!	61394	VIC	457874*	6152	C-R	314267N	616B43209	TROS	370021A
61286	VIC	55539* =	61399	VIC	417562*	6152	C-R	340724!	616D-045	BENDI	415035!
61288	VIC	417533	613W428	C-R	417267	6152	CLIN	481443!	616D-045	BENDI	415035
61290	VIC	417534*	614	UNIVE	455584	61520	VIC	415219*	61701	TROS	5591
61297	VIC	415371	61402S	TROS	471193	61520S	TROS	7929S	617250	CHRY	471224!
61299	AM HO	416158	61404	VIC	417563*	61521S	TROS	473473	6172LA	JN-MN	471276*
61299	VIC	416158*	61408	VIC	416229*	6152753281	KOMAT	100296	6173OSR	JN-MN	417205!*
612W216-L	C-R	5401	6140LA	JN-MN	417316!	61530	VIC	417606*	6174OSR	JN-MN	418028
612W416	C-R	416070	6141	C-R	7188S	61535	VIC	55222* =	6174OSR	JN-MN	455137!
613-19-86	TRMBL	370036A	614138	GERL	416107!	615380	CLARK	472185!	61758	AM WH	415379!
613-19-86	TRMBL	370349A	614138	GERL	455073	61540	VIC	55223* =	61758	AM WH	415379
6130	C-R	343105!	61414	VIC	417298*	615438C91	IH	8126S	61761	TROS	227040
6130	C-R	7399S	614145	GERL	455056	61545	VIC	55224* =	61761	TROS	70X90X10!
61301	VIC	415064	61419	VIC	417596	615463-2	SPICE	415088	61781R91	IH	5408
61306	VIC	415284	614202	CATER	417298	615463-2	SPICE	415088!	61783R91	IH	5408
61308	VIC	417535	614202	GERL	417298	615499C91	IH	7840S	617845	CATER	415045!
6131	CHRY	471554!	61424	VIC	455584	61550	VIC	417020*	6180	C-R	471466!
6131	DURA	471554!	61429	VIC	416239!	61559	VIC	417570*	61801S	TROS	7399S!
61310	VIC	417536	6143	C-R	7188S	61567	VIC	415227!*	61802S	TROS	7840S
61312	VIC	417537	61430	VIC	416239!	615670C91	IH	415988 =	6181	C-R	471466!
61314	VIC	55367* =	61434	VIC	416077	6158	MARI	417020	618113	WHITE	40468
61315	VIC	415138!	61439	BUC-E	415116	615803	WHITE	471689!	618139	ALLCH	411253!
61317	VIC	417538*	61439	VIC	415116*	615826	CATER	472179	61820	C-R	455583N!*
61319	VIC	417247!	614410R91	IH	40568S	615831C91	IH	410825	61820S	TROS	471652
613199	CATER	473463	61444	VIC	455117*	615833C91	IH	473243	6183	C-R	471466!
61321	VIC	415066	6144631	SPICE	471689!	61585	VIC	415482*	6184	C-R	471466!
61326	VIC	416163*	61449	MARI	415551	615860	CLARK	415995!	61840	C-R	455583N!*
61328	VIC	456890	61449	VIC	415551*	6158SS	JN-MN	240733	6186	C-R	471466!
6133	GARLK	254287	6144LA	JN-MN	416339	615N2	WHITE	473215!	6186	TIMKE	470354
61330	AM WH	417247!	6144LA	JN-MN	455031!	61601	TROS	5587	618641	ALLCH	472185!
61333	GWI	416167!	6145	C-R	351487	61604	VIC	415076*	618662	ALLCH	470954!
61333	VIC	416167!	61454	VIC	417598*	61607XX	TIMKE	6X16X7	6186S	NATL	470354
61335	VIC	417267*	61459	VIC	455406!	6161052	HERCU	340771	618841	ALLCH	471466
61337	VIC	417269!	6145LA	JN-MN	417181!	6161106A	HERCU	471466!	618897	WHITE	5408
6133SH	JN-MN	417267	614631	SPICE	473473	6161310	HERCU	417210!	6189	C-R	471466!
613416	C-R	416070*	614633	SPICE	417316!	6161310B	HERCU	417210!	618950	WHITE	5401
61342	VIC	417539!*	614634-3	SPICE	471570!	61618	MC-CL	471551!	618951	WHITE	5403
613424	C-R	417252	61464	VIC	455121*	61620S	TROS	350936	6189SS	JN-MN	343105
613428	C-R	417267	61466	VIC	417600*	61626	VIC	473425	6189SS	JN-MN	7399S!
613428M1	C-R	417267	61467	VIC	417601*	6162LA	JN-MN	471765!	619	C-R	5M466
61344	VIC	417273	614682	CLARK	40169S	6162LUP	JN-MN	471765!	61901S	TROS	7338N
61348	C-R	417518	61469	VIC	417602!	61630	MARI	455406!	61902S	TROS	7456N
61349	VIC	416865!	614699	CATER	473475	616310	HERCU	417210!	61903S	TROS	331173
6134LA	JN-MN	473213!	6146LA	JN-MN	415035!	6163S	TIMKE	472924	6190B	JN-MN	417349
6134LPD	JN-MN	473213!	6146LA	JN-MN	415035	6164	NATL	452222!	619153	CHRY	473313

! Industrial Size/Type * Minor Width Difference = Call 1-800-480-1212 for price and delivery.

Zero Duplication or Recommended Industrial		Zero Duplication or Recommended Industrial		Zero Duplication or Recommended Industrial		Zero Duplication or Recommended Industrial					
Mfr. No.	Name	Mfr. No.	Name	Mfr. No.	Name	Mfr. No.	Name				
6193	C-R	471466!	62043	VIC	40568S	620C01034	AM MA	415371	62204	VIC	471526!
6195	C-R	471466!	62044	VIC	472311	620C01035	SEAMA	415371	62205	VIC	471526!
619586C91	IH	413246	62045	VIC	42352S	620C01041	AM MA	417554!	62206	VIC	471526!
619621C91	IH	416288!	620456	ADAMS	415645!	620C01048	AM MA	416892!	62207XX	TIMKE	6X22X7
619775C1	IH	JX1401=	620456	ADAMS	455104	620C01052	AM MA	415371	62208	VIC	471472!
619884	WHITE	415138!	62046	VIC	340413	620C01053	AM MA	416404!	62209	VIC	471472!
619888	ALLCH	472179	62049	VIC	340787	6210	C-R	471466!	62210	VIC	471472!
619890	ALLCH	416891!	620491	SPICE	471276	62100	VIC	416404!	62210000	AM BR	471695=
619900	ALLCH	471138!	620491	SPICE	474127	62101	TROS	9015S	62211	VIC	471472!
619901	ALLCH	471689!	620493	SPICE	471737	62101	VIC	416297	62212	VIC	471466!
619982C91	IH	472439	6204G	P-C	TCS45472	62102	VIC	6358	62213	VIC	471466!
62-F95C	PUL	415995!	62050	VIC	46997S	62102S	TROS	9015S	62214	VIC	471466!
620-C-01019	REX	471271!	62051	VIC	350364	621033R91	IH	471831!	62215	VIC	471466!
620-C1018	REX	412119!	620512	ADAMS	415991	62106	VIC	415725!	62216	VIC	471264!
620-C1034	REX	415371	620512	ADAMS	455146!	6210713281	KOMAT	927120	62218	VIC	471264!
620-C1052	REX	415371	62053	VIC	40576S	62108	VIC	415938	62219	VIC	471264!
6200	TIMKE	473214	620531	WHITE	416167!	6211	C-R	471466!	62220	TROS	8168=
62000	C-R	2628!	620532X20	TROS	370027A	6211115	WHITE	455480!	62220	VIC	471255!
62000	C-R	39885	62054	VIC	40566S	6211116	WHITE	471766!	62220SK	VIC	471255!
62000	C-R	39887	62055	VIC	471413	621156	ALLCH	412040	62221	TROS	484054
62000	VIC	471264	620590	SPICE	710043	621187	ADAMS	415138!	62221	VIC	471255!
62001	C-R	39888	62060	VIC	42763	621189C91	IH	473238	62222	VIC	471255!
62001	C-R	39889	620602	ADAMS	417171!	6212	C-R	471466!	62223	VIC	471255!
62001	C-R	5613!	620602	LETN	417171!	6212	SPG	6966S	62224	VIC	471564
62001	VIC	240319	620616	GERL	456105	621201C91	IH	472572!	62225	VIC	471564
620022	WHITE	476470	62062	VIC	41075S	621225C91	IH	470954!	62226	VIC	471564
620027	CATER	417223	62066	VIC	5865	6213	C-R	471466!	62228	VIC	470954!
62003	VIC	471267	62067	VIC	40085S	62132	VIC	470774!	62229	VIC	470954!
62004	VIC	471442	62068	VIC	417485	6213LA	JN-MN	471646!	62230	VIC	470954!
62005	VIC	43069S	62069	VIC	471787	62140	TROS	8121S	62230C91	IH	455019!
620058	DANA	710385	6206B	JN-MN	417254*	6215	C-R	471466!	62230C92	IH	455019!
620062	SPICE	710044	62070	VIC	43086S	62152	VIC	471707N	622301C91	IH	473238!
62008	VIC	40973S	62071	VIC	471785!	6215516	B-L-H	473238	622309	WOOL	416071
62009	VIC	6064*	6207216	B-L-H	474278!	62156	VIC	9613S	62231	VIC	470954!
6200C01004	AM MA	473016!	62073	VIC	40769S	62158	VIC	473258!	62232	VIC	471554!
6200C01017	AM MA	472636!	62074	VIC	40468	62159	VIC	471835!	622322	MANT	471760
6200C01033	AM MA	415371	62076	VIC	471466	62160	VIC	470950!	622325	MANT	455583N!
6200LA	JN-MN	415449!	62077	VIC	43089S	62160	VIC	6241S	62233	VIC	471554!
62010	VIC	43071S	62078	VIC	42421S	62171	VIC	340815	622332	MANT	481568!
6201050	REX	415379!	620782	GERL	415025	621713	ADAMS	476470	62234	VIC	471554!
6201050	REX	415379	620784	ALLCH	473010	621713	LETN	476470	62235	VIC	471554!
62012	GW1	470954!	6207849	ALLCH	473010	621713	WABCO	476470	62236	VIC	471567!
62012	VIC	470954	620785	ALLCH	471649!	62173	VIC	473517!	62237	VIC	471567!
62013	VIC	40369S	62079	VIC	204503!	62175	VIC	450400	62238	VIC	471567!
62016	VIC	40370S	62079	VIC	473237	62176	VIC	471504	622382	MANT	473464
62019	VIC	472354!	6208	C-R	471466!	62178	VIC	472070	622382	MANT	473464!
620199	VIC	370003A	62080	VIC	47150S	62182	VIC	332062	622386	MANT	416404!
620199	WHITE	370003A	620812	UNIVE	471298	62184	VIC	473179!	622387	MANT	45525S
62019AN	BUC-E	472354!	62083	VIC	6241S*	62187	VIC	451078!	62239	VIC	471567!
62020	VIC	254287!	620834	GERL	473458!	62188	VIC	352541	62240	VIC	471643!
62021	VIC	43072S	620840	SPICE	483793	62189	VIC	472341!	62240S	TROS	8133S
620216	SPICE	5131	620843	WHITE	JV753	6218LA	JN-MN	416345!	62241	VIC	471643!
620218	GERL	415187	620843A	WHITE	370007A	6218LA	JN-MN	455033	622416	MANT	416229
62021AN	BUC-E	472560N	620848	WHITE	370006A	6218LUP	JN-MN	416345!	62242	VIC	471643!
62023	VIC	43074S	620871	ALLCH	473231!	6218LUP	JN-MN	455033	62243	VIC	471643!
62024	VIC	471224	6209	C-R	471466!	62190	VIC	472082	62244	VIC	471267!
62025	VIC	45637S	62096	VIC	473459	62191	VIC	473467	62245	VIC	471267!
620257	SPICE	2300	620985	ALLCH	471649=	62192	VIC	472018	622456	MANT	55223=
62028	VIC	43076S	62099	VIC	415227!	62193	VIC	470354	62246	VIC	471267!
62029	VIC	43073S	6209SH	JN-MN	40169S*	62194	VIC	471341!	62247	VIC	471267!
620297	ADAMS	417205!	620A50420	TROS	370003A	62196	VIC	471272!	62248	VIC	471570!
6203	C-R	471466!	620BM224-L	C-R	6643S	62198	VIC	410825	62249	VIC	471570!
62030	VIC	43077S	620C01005	AM MA	473227	621986	ADAMS	472636!	622492	MANT	416107!
62031	VIC	330385!	620C01011	AM MA	203034	62199	VIC	455151	622492	MANT	455073
62032	VIC	240435	620C01014	AM MA	471424!	621993	CLARK	472179	622496	MANT	417316!
62034	VIC	43078S	620C01019	SEAMA	471271!	622	ROTO	471466	622497	MANT	417082
62035	VIC	471766	620C01021	AM MA	415082	62200	VIC	471442!	622498	MANT	417211!
62036	VIC	40627S=	620C01023	AM MA	416664!	62201	VIC	471442!	6225	C-R	471466!
62039	VIC	40504S=	620C01024	AM MA	417349	62201S	TROS	8293S	62250	VIC	471570!
6204	C-R	471466!	620C01029	AM MA	417496	62202	CUSH	205020=	622500	MANT	415437
62040	VIC	471526	620C01032	AM MA	415060	62202	VIC	471442!	622504	MANT	455397
62041	VIC	340771*	620C01032	AM MA	455060	62203	VIC	471442!	622505	MANT	412040

! Industrial Size/Type * Minor Width Difference = Call 1-800-480-1212 for price and delivery.

Zero Duplication or Recommended			Zero Duplication or Recommended			Zero Duplication or Recommended			Zero Duplication or Recommended		
Mfr. No.	Name	Industrial	Mfr. No.	Name	Industrial	Mfr. No.	Name	Industrial	Mfr. No.	Name	Industrial
622506	MANT	415991	62272	VIC	471733	62328	VIC	470625!	62394	VIC	471424!
622506	MANT	455146!	622720	WMG	215	62329	VIC	470625!	62395	VIC	471424!
622507	MANT	415991	622721	WMG	216	62330	VIC	470625!	62396	VIC	472492!
622507	MANT	455146!	622722	WMG	217	62332	VIC	470380!	62397	VIC	472492!
622509	MANT	416229	622723	WMG	218	62333	VIC	470380!	623971	ALLCH	75251S
62251	VIC	471570!	622724	WMG	219	62334	VIC	470380!	62398	VIC	472492!
622512	MANT	415047	622725	WMG	220	62336	VIC	473228	62399	VIC	472492!
622513	MANT	411253!	622726	WMG	221	62337	VIC	473228	624	ROTO	240009
622516	MANT	417269!	622727	WMG	222	62338	VIC	473228!	6240	C-R	240009
622518	MANT	415027!	622728	WMG	325	62339	VIC	473228!	6240	SPG	205035
622518	MANT	415027	622729	WMG	326	62340	VIC	473230!	62400	VIC	472924!
62252	VIC	471646!	62273	VIC	471733	62341	VIC	473230!	62401	TROS	8610
622526	MANT	415088	62274	VIC	471733	62342	VIC	473230!	62401	VIC	472924!
622526	MANT	415088!	62275	VIC	471733	62343	VIC	473230!	62402	VIC	472924!
622527	MANT	417487	62276	VIC	471652	62344	VIC	473231!	62403	VIC	472924!
62253	VIC	471646!	62276	VIC	482208!	623442	GERL	415082	62404	VIC	472397!
622532	MANT	417269!	62277	VIC	471652	62345	VIC	473231	62405	VIC	472397!
622533	MANT	415035	62278	VIC	471652	62346	VIC	473231!	62406	VIC	472397!
622533	MANT	415035!	62279	VIC	471652	623463-1	SPICE	472157!	62407	VIC	472397!
622534	MANT	417278	6228	C-R	471466!	623463-1	SPICE	472157	62408	VIC	473242
622535	MANT	412473!	62280	VIC	471692!	623463-2	SPICE	471271!	62409	VIC	473242
622537	MANT	415645!	62281	VIC	471692!	623463-3	SPICE	450143	6240J	DIA	472636!
622537	MANT	455104	62282	VIC	471692!	62347	VIC	473231!	6240S	SPG	205035
622538	MANT	416239!	62283	VIC	471692!	62348	VIC	473010!	6241	EATON	470950!
622539	MANT	415076	62284	VIC	470712!	62349	VIC	473010	6241	EATON	6241S
622540	MANT	416476!	62285	VIC	470712!	6234LA	JN-MN	6936S*	6241	SEAMA	471424!
622542	MANT	416666	62286	VIC	470712!	6235	C-R	471466!	6241	SPG	6241S
622543	MANT	417298	62287	VIC	470712!	62350	VIC	473010!	62410	VIC	473242
62255	VIC	471646!	62288	VIC	471763	62351	VIC	473010!	62411	VIC	473242
622555	MANT	416892!	62289	VIC	471763	62352	VIC	473232!	62412	VIC	473204
62256	VIC	470590	6229	C-R	471466	62354	VIC	473232!	62413	VIC	473204
622561	MANT	417487!	62290	VIC	471763	62355	VIC	473232!	62414	VIC	473204
622561	MANT	417487	62291	VIC	471763	62356	VIC	473237!	62415	VIC	473204
62257	VIC	470590	62292	VIC	471413!	62357	VIC	473237!	62416	VIC	470898
622573	MANT	415001!	62293	VIC	471413!	62358	VIC	473237!	62417	VIC	470898
622578	MANT	455471	62294	VIC	471413!	62359	VIC	473237!	62418	VIC	470898
62258	VIC	470590	62295	VIC	471413!	6235LA	JN-MN	417343!*	62419	VIC	470898
62259	VIC	470590	62296	VIC	471737	62360	VIC	472164!	6241A	EATON	471795
6226	SPG	471271!	62297	VIC	471737	62362	VIC	472164!	6241H	TRUK	473467!
62260	VIC	471224!	62298	VIC	471737	62364	VIC	472185!	6241R	JN-MN	455583N!
62261	VIC	471224!	622984	ALLCH	417349	62365	VIC	472185!	6241S	NATL	470950!
622610C91	IH	240735	62299	VIC	471737	62367	VIC	472185!	6241S	TIMKE	6241S
62262	VIC	471224!	6230	C-R	471466!	62368	VIC	472179	62420	TROS	472070
622620	MANT	415991	62300	VIC	471766!	62369	VIC	472179	62420	VIC	472015!
622620	MANT	455146!	62301	VIC	471766!	62369A	VIC	472179	62421	VIC	472015!
622625	MANT	416339	62302	VIC	471766!	62370	VIC	472179	62422	VIC	472015!
622625	MANT	455031!	62303	VIC	471766!	62371	VIC	472179	62422A	VIC	472015!
622627	MANT	417546!	62303	VIC	471766*	62372	VIC	472439	62423	VIC	472015!
622633	MANT	417596	62303	VIC	471766*	62373	VIC	472439	62424	VIC	472016!
62264	VIC	471649!	62304	VIC	471795	62374	VIC	472439	62426	VIC	472016!
62265	VIC	471649!	62305	VIC	471795	62375	VIC	472439	62427	VIC	472016!
62266	VIC	471649!	62306	VIC	471795	62376	VIC	472572!	62428	VIC	473243
62268	VIC	471689!	62307	VIC	471795	62377	VIC	472572!	62429	VIC	473243
62269	VIC	471689!	62308	VIC	472258!	62377A	VIC	472572!	62430	VIC	473243
6226LA	JN-MN	450285	62309	VIC	472258!	62378	VIC	472572!	62431	VIC	473243
62270	VIC	471689!	62310	VIC	472258!	623784	ALLCH	415379!	62432	VIC	471272!
622703	WMG	008	62311	VIC	472258!	623784	ALLCH	415379	62433	VIC	471272!
622704	FMW	009	62312	VIC	471192	62379	VIC	472572!	62434	VIC	471272!
622705	WMG	010	62313	VIC	471192	62380	VIC	473238!	62435	VIC	471272!
622706	WMG	011	62314	VIC	471192	62381	VIC	473238	624359	CLARK	470380!
622708	WMG	110	62316	VIC	473214!	62382	VIC	473238!	62436	VIC	471138!
622709	WMG	111	62317	VIC	473214	62383	VIC	473238!	624360	CLARK	471760
622710	WMG	112	62318	VIC	473214!	62384	VIC	473239!	624361	CLARK	415449!
622711	WMG	113	62319	VIC	473214!	62385	VIC	473239	624362	CLARK	415995!
622712	WMG	114	623197	ALLCH	471737=	62386	VIC	473239!	62437	VIC	471138!
622713	WMG	115	62320	VIC	473215!	62387	VIC	473239!	62438	VIC	471138!
622714	WMG	116	62321	VIC	473215!	62388	VIC	473240!	62439	VIC	471138!
622715	WMG	210	62322	VIC	473215!	62389	VIC	473240!	62440	VIC	472636!
622716	WMG	211	62323	VIC	473215!	62390	VIC	413248	62441	VIC	472636!
622717	WMG	212	62325	VIC	473227	62391	VIC	473240!	62442	VIC	472636!
622718	WMG	213	62326	VIC	473227!	62392	VIC	471424!	62443	VIC	472636!
622719	WMG	214	62327	VIC	473227!	62393	VIC	471424!	62444	VIC	412920!

! Industrial Size/Type * Minor Width Difference = Call 1-800-480-1212 for price and delivery.

Zero Duplication or Recommended		Zero Duplication or Recommended		Zero Duplication or Recommended		Zero Duplication or Recommended					
Mfr. No.	Name	Mfr. No.	Name	Mfr. No.	Name	Mfr. No.	Name				
62445	VIC	412920!	62496	VIC	416664!	625418	C-R	457585	62585	VIC	417191
62446	VIC	412920!	62497	C-R	455480*	62542	VIC	417351!	62586	C-R	3807
62447	VIC	412920!	62497	VIC	416664!	625420	C-R	415064	62586	VIC	417191
62448	VIC	470565!	62498	VIC	416664!	625420M1	C-R	415064	62587	VIC	417191
62449	VIC	470565!	62499	VIC	416664!	625422	C-R	417536	62588	C-R	3807
6245	C-R	416865!	625	ROTO	471801!	625424	C-R	415066	62588	VIC	417354!
6245	GW1	416865!	6250	C-R	450535	625424M1	C-R	415066	62589	VIC	417354!
62450	VIC	470565!	6250	C-R	471264!	625426	C-R	456890	62590	VIC	417354!
62451	VIC	470565!	62500	C-R	455480!	625426M1	C-R	456890	62591	VIC	417354!
62452	VIC	413246	62500	VIC	415984!	625428	C-R	417269!	6259146	GMC	413470!
62453	VIC	413246	62501	VIC	415984!	625428	GR-DV	417269!	6259190	GMC	472394
62454	VIC	413246	62502	VIC	415984!	625428M1	C-R	417269!	62592	VIC	416624!
62455	VIC	413246	62503	VIC	415984!	62543	VIC	417351!	62593	VIC	416624!
62456	VIC	413247!	62504	VIC	417316!	625430	C-R	417273	62594	VIC	416624!
62457	VIC	413247!	62505	VIC	417316!	625430M1	C-R	417273	62595	VIC	416624!
62458	VIC	413247!	62506	VIC	417316!	62544	C-R	455056	62596	VIC	415991
62459	VIC	413247!	62507	VIC	417316!	62546	C-R	417516	62596	VIC	415991!
6245M1	C-R	416865!	62508	VIC	415960	62548	C-R	415058	62597	VIC	415991
6245M1	GW1	416865!	625088	ALLCH	471526!	62548	GR-DV	472157	62597	VIC	455146!
62460	VIC	416271!	62509	VIC	415960!	62548	GR-DV	472157!	62598	VIC	415991
62461	VIC	416271!	62509	VIC	415960*	6254K	FAIRB	417223	62598	VIC	415991!
62462	VIC	416271!	62510	VIC	415960	6254M1	C-R	417223	62599	VIC	415991
624621	GERL	413478	62510	VIC	4564V	6255	C-R	416865!	62599	VIC	415991!
62463	VIC	416271!	62511	C-R	55316=	6255	CABOT	416865!	625B5	C-R	416865!
6246314	SPICE	474276!	62512	VIC	415303!	6255	GR-DV	416865!	625E5	C-R	416865!
624632	SPICE	473229	62514	VIC	415303!	6255	HU-WR	416865!	625M420-L	C-R	415064
624632-5	SPICE	473229	62516	VIC	417344!	6255	MINMA	416865!	625W4	C-R	417223*
624633	SPICE	472397!	62517	VIC	417344!	625520R91	IH	481163!	625W412	C-R	415060
624634-2	SPICE	415458!	62518	VIC	417344!	625521R91	IH	470954!	625W412	C-R	455060
624636	SPICE	416654	62519	VIC	417344!	625534	WHITE	451583!	625W422	C-R	417536*
624638	SPICE	452742	62520	VIC	417158!	62554	C-R	417258	625W424	C-R	415066*
624639	SPICE	6668S	62521	VIC	417158!	6255508	GMC	7537S	62600	VIC	417196!
62464	VIC	471271!	62522	VIC	9864S	62558	C-R	417262!	62601	VIC	417196!
62465	VIC	471271!	62522SF	VIC	9864S	6255851	GMC	7456N	62602	VIC	417196!
624650	ALLCH	451817	62523	VIC	417158!	62558M1	C-R	417262!	62603	VIC	417196!
624653	ALLCH	411376!	62524	VIC	416921!	6255CR	F-R-H	416865!	62604	VIC	415437
624655	ALLCH	416345!	62525	VIC	416921!	6255K	FAIRB	416865!	62605	VIC	415437
624655	ALLCH	455033	62526	VIC	416921!	6255M1	C-R	416865!	62606	VIC	415437
62466	VIC	471271!	62527	VIC	416921!	6256074	GMC	471193	62607	VIC	415437
62467	VIC	471271!	62527R91	IH	473467!	62563	VIC	476470!	6260707	GMC	472572!
62468	VIC	470605!	62528	VIC	417349!	62563	VIC	476470	6260718	GMC	473010!
62469	VIC	470605!	62529	VIC	100495	625631	CONTI	471763	62608	VIC	416332!
6247	C-R	471291V	62529	VIC	417349	625634	CATER	415350	62609	VIC	416332!
62470	VIC	470605!	62530	VIC	417349!	62564	VIC	417181!	62610	VIC	416332!
62471	VIC	470605!	62531	VIC	100495	62565	VIC	417181!	62611	VIC	416332!
62472	VIC	415449!	62531	VIC	417349	62566	VIC	417181!	62612	VIC	415937!
62473	VIC	415449!	62532	VIC	417350!	6256603	GMC	7338N	62613	VIC	415937!
62474	VIC	415449!	62533	VIC	417350!	62567	VIC	417181!	62614	VIC	415937!
62475	VIC	415449!	62534	VIC	417350!	62568	VIC	418028	62615	VIC	415937!
62476	VIC	416273	62535	C-R	417562	6256804	GMC	331173	62616	VIC	417355!
62477	VIC	416273	62535	VIC	417350!	62569	VIC	418028	62617	VIC	417355!
62478	VIC	416273	62536	VIC	415995*	6256973	GMC	331173	62618	VIC	417355!
62479	VIC	416273	62536	VIC	415995!	62570	VIC	418028	62619	VIC	417355!
6248	C-R	471291V	62537	VIC	415995*	62571	VIC	418028	62620	VIC	416125!
62480	VIC	413248	62537	VIC	415995!	62572	C-R	415854	62621	VIC	416125!
62481	VIC	413248	62538	VIC	415995*	62572	VIC	417353!	62622	VIC	416125!
62482	VIC	413248	62538	VIC	415995!	62573	VIC	417353!	62623	VIC	416125!
62482	VIC	5971	62539	VIC	415995*	6257354	GMC	472705!	62624	VIC	416041
624825	MICH	417596	62539	VIC	415995!	62574	VIC	417353!	62625	VIC	416041
624825	UNIVE	417596	6254	C-R	417223	6257476	GMC	7456N	62625C91	IH	415871H=
62483	VIC	413248	62540	C-R	417562	62575	VIC	417353!	626257C91	IH	416666
62484	VIC	415483	62540	VIC	417351!	6257604	GMC	7537S	626259C91	IH	415234!
62486	VIC	415458!	62541	C-R	417562	6257834	GMC	7338N	62626	VIC	416041
62486	VIC	415483	62541	VIC	417351!	6257C	DIA	472924!	62627	VIC	416041
62488	VIC	415458!	625410	C-R	417238	6257C	WHITE	472924!	62628	VIC	415379
62489	VIC	415458!	625410M1	C-R	417238	6257LA	JN-MN	417316!	62629	VIC	3893V!
62490	VIC	415458!	625412	C-R	415060	6257LPD	JN-MN	417316!	62629	VIC	415379!
62492	VIC	417343!	625412	C-R	455060	62580	VIC	412473!	62630	VIC	415379
62493	VIC	417343!	625412	WHITE	370019A	62581	VIC	412473!	62631	VIC	415379
62494	VIC	417343!	625414	C-R	415351!	62582	VIC	412473!	62632	VIC	417205!
62495	C-R	455480!*	625416	C-R	415351!	62583	VIC	412473!	62633	VIC	417205!
62495	VIC	417343!	625416M1	C-R	415351!	62584	VIC	417191	62634	VIC	417205!

! Industrial Size/Type * Minor Width Difference = Call 1-800-480-1212 for price and delivery.

Zero Duplication or Recommended		Zero Duplication or Recommended		Zero Duplication or Recommended		Zero Duplication or Recommended		
Mfr. No.	Name	Industrial	Mfr. No.	Name	Industrial	Mfr. No.	Name	
62635	VIC	417205!	62698	VIC	416892!	62761	VIC	416666
62636	VIC	416339	62699	VIC	416892!	62761A	VIC	416666
62637	VIC	416339	6269SS	JN-MN	50883=	62762	VIC	416666
62638	VIC	416339	626B5	C-R	416865!*	62763	VIC	416666
62639	VIC	416339	626BM5	C-R	416865!*	62764	VIC	417364
6263LA	JN-MN	415295	6270	TIMKE	6270	62765	VIC	417364
62640	VIC	417211!	62700	VIC	415138!	62766	VIC	417364
62641	VIC	417211!	62700	VIC	714750	62767	VIC	417364
62642	VIC	417211!	62701	TROS	473454	62768	VIC	417365
62643	VIC	417211!	62701	VIC	415138!	62769	VIC	417365
62648	VIC	415697!	62702	VIC	415138!	62770	VIC	417365
62649	VIC	415697!	62703	VIC	415138!	62771	VIC	417365
626495C91	IH	5147=	62704	VIC	417247!	62772	VIC	415072
6264R	JN-MN	417511	62705	VIC	417247!	62773	VIC	415072
62650	VIC	415697!	62706	VIC	417247!	62774	VIC	415072
62651	VIC	415697!	62707	VIC	417247!	62775	VIC	415072
62652	VIC	417366!	6270LA	JN-MN	417254	62775TA	TRSCM	417562
62653	VIC	417366!	6270S	NATL	6270	62784	VIC	411376!
62654	VIC	417366!	62712	VIC	416865!	627875C92	IH	3126* =
62655	VIC	417366!	62713	VIC	416865!	627878	CHRYS	473179!
62656	VIC	415035*	62714	VIC	416865!	62789	AM WH	471750!
62656	VIC	415035!	62714H	IH	473473	62790	AM WH	455136
62657	VIC	415035!	62715	VIC	416865!	62793	VIC	416339
62657	VIC	415035!	62718	C-P	472560N!	62794BX	OSHKO	416624!
62657M	VIC	415035	62720	VIC	417262!	62796	VIC	416476!
62657M	VIC	415035!	627209	CHRYS	450273	627981	SPERY	1049
62658	VIC	415035*	62721	VIC	417262!	627D-198	BENDI	473240!
62659	VIC	415035	62722	VIC	417262!	6280	C-R	471264!
62660	VIC	417356!	62723	VIC	417262!	628009XX	TIMKE	62X80X9
62661	VIC	417356!	62724	VIC	417358	628010XX	TIMKE	62X80X10
62662	VIC	417356!	62725	VIC	417358	62804	VIC	415498
62663	VIC	417356!	62726	VIC	417358	62806	VIC	415035
62664	VIC	417357	62727	VIC	417358	62806	VIC	415035!
62665	VIC	417357	62728	VIC	415645!	62808	VIC	417247!
62665A	VIC	456946N=	6273	WOODB	470059	62809	VIC	417350=
62666	VIC	417357	6273	WOODB	470380!	62813	VIC	417365
62667	VIC	417357	627315C1	IH	JV1517=	62815	VIC	410825
62668	AM WH	418028	627316C1	IH	200919=	62825	VIC	471785!
62668	AM WH	455137!	627316C41	IH	200919=	62827	VIC	471795
62668	VIC	416130!	62732	VIC	417359	628274	ALLCH	411452=
62669	VIC	416130!	62733	VIC	417359	62831	VIC	332134
62670	VIC	416130!	62734	VIC	417359	62833	VIC	415960!
62671	VIC	416130!	62735	VIC	417359	628357	ALLCH	415991
62672	VIC	416556!	62736	VIC	417254	628357	ALLCH	415991!
62672	VIC	472157	62737	VIC	417254	6283576	ALLCH	415991!
62673	VIC	416556!	62738	VIC	417254	6283576	ALLCH	415991
62673	VIC	472157	62739	VIC	417254	62836R1	IH	473463
62674	VIC	416556!	6273946	GMC	722109	62837R11	IH	473463
62674	VIC	472157	6273948	GMC	471271!	62837R91	IH	473463
62675	VIC	416556!	6273949	GMC	416273	62839	VIC	471413!
62675	VIC	472157	6273977	GMC	5131	6283S	TIMKE	6283S
62677	VIC	415196!	62740	VIC	417360	62840	VIC	471652
62677M	VIC	415196!	62741	VIC	417360	62841	VIC	471763
62680	VIC	416891!	62742	VIC	417360	62842	VIC	471689!
626800	MICH	416229	62743	VIC	417360	628485	ALLCH	415302
62681	VIC	416891!	62744	VIC	416107!	628508XX	TIMKE	62X85X8
62682	VIC	416891!	62745	VIC	416107!	62851	VIC	473237!
62683	VIC	416891!	62746	VIC	416107!	62855	VIC	474276!
62684	VIC	416135!	62747	VIC	416107!	62860	VIC	415295
62685	VIC	416135!	62748	VIC	417361	62863	VIC	J1825
62686	VIC	416135!	62749	VIC	417361	62864	VIC	3813
62687	VIC	416135!	62750	VIC	417361	62868	VIC	470605!
6268SH	JN-MN	254270	62751	VIC	417361	62872	VIC	410987!
6268SS	JN-MN	343185	62752	VIC	417362!	628823	ALLCH	472636!
62692	VIC	416153!	62753	VIC	417362!	628837	UNIVE	455584
6269204	GM	17760	62754	VIC	417362!	628838	MICH	455584
62693	VIC	416153!	62755	VIC	417362!	62885D	IH	417316!
62694	VIC	416153!	62756	VIC	417363	62885M1	VIC	.2628!
62695	VIC	416153!	62757	VIC	417363	62886D	IH	415025
62696	VIC	416892!	62758	VIC	417363	628894	ALLCH	415379
6269688	GM	17720	62759	VIC	417363	628940	ALLCH	476470!
62697	VIC	416892!	62760	VIC	416666	628940	ALLCH	476470

! Industrial Size/Type * Minor Width Difference = Call 1-800-480-1212 for price and delivery.

NUMERICAL

Zero Duplication or Recommended		Zero Duplication or Recommended		Zero Duplication or Recommended		Zero Duplication or Recommended		
Mfr. No.	Name	Mfr. No.	Name	Mfr. No.	Name	Mfr. No.	Name	
62X1658	GARLK	412119!	62X2759	GARLK	416892!	62X546	GARLK	473214
62X1668	GARLK	416271!	62X2807	GARLK	416158	62X548	GARLK	473215!
62X1680	GARLK	417480!	62X2837	GARLK	415138!	62X555	GARLK	471549!
62X175	GARLK	471539!	62X287	GARLK	471224!	62X550	GARLK	470950!
62X1750	GARLK	417073	62X288	GARLK	471224!	62X550	GARLK	6241S
62X1752	GARLK	417073	62X291	GARLK	471649!	62X551	GARLK	470950!
62X1807	GARLK	471271!	62X2915	GARLK	415725!	62X551	GARLK	6241S
62X1819	GARLK	415449!	62X2921	GARLK	416865!	62X552	GARLK	470950!
62X1821	GARLK	415449!	62X2922	GARLK	416865!	62X552	GARLK	6241S
62X1882	GARLK	413479	62X2927	GARLK	417541	62X592	GARLK	473224!
62X1939	GARLK	415483!	62X293	GARLK	471689!	62X597	GARLK	473016!
62X1948	GARLK	417343!	62X3059	GARLK	417262!	62X624	GARLK	473439!
62X1993	GARLK	455434	62X3067	GARLK	415645!	62X643	GARLK	470625!
62X2004	GARLK	455151	62X3067	GARLK	455104	62X644	GARLK	470625!
62X2032	GARLK	480491	62X3184	GARLK	416107!	62X645	GARLK	470625!
62X2035	GARLK	416664!	62X3184	GARLK	455073	62X646	GARLK	470380!
62X2038	GARLK	417484!	62X323	GARLK	471651	62X646	GARLK	470059
62X2044	GARLK	417316!	62X3277	GARLK	417362!	62X648	GARLK	470059
62X2045	GARLK	417316!	62X3278	GARLK	417363	62X648	GARLK	470380!
62X2046	GARLK	417316!	62X3279	GARLK	417363	62X655	GARLK	473228
62X2047	GARLK	415960	62X3280	GARLK	417363	62X657	GARLK	473228
62X2048	GARLK	415960	62X3281	GARLK	416666	62X664	GARLK	473440!
62X2049	GARLK	415960	62X3282	GARLK	416666	62X700	GARLK	472213
62X2086	GARLK	455005	62X3283	GARLK	416666	62X707	GARLK	471821!
62X2088	GARLK	455005	62X3355	GARLK	415683	62X717	GARLK	470682
62X2115	GARLK	415303!	62X3367	GARLK	415072	62X760	GARLK	473231
62X2124	GARLK	416921!	62X3384	GARLK	415074	62X762	GARLK	473231
62X213	GARLK	471267!	62X3426	GARLK	415294!	62X769	GARLK	473010
62X215	GARLK	471570!	62X351	GARLK	471652	62X777	GARLK	471532
62X216	GARLK	471570!	62X3518	GARLK	416044	62X772	GARLK	473232
62X2168	GARLK	417349	62X353	GARLK	471692!	62X774	GARLK	473232
62X2170	GARLK	417349	62X3544	GARLK	415867	62X80	GARLK	473405
62X2172	GARLK	417350!	62X3601	GARLK	417601	62X80X10SC	TRSCM	62X80X10
62X2174	GARLK	415995!	62X3610	GARLK	417604	62X80X10TC	TRSCM	62X80X10
62X2174	GARLK	415995!	62X362	GARLK	471785!	62X80X9ASN	ISP	62X80X9
62X2177	GARLK	417351!	62X3624	GARLK	415090	62X829	GARLK	473445
62X2180	GARLK	417487	62X3660	GARLK	417605	62X835	GARLK	473234
62X2180	GARLK	417487!	62X3673	GARLK	417198	62X837	GARLK	473234
62X2183	GARLK	417488!	62X37	GARLK	50199S!	62X843	GARLK	474265
62X2186	GARLK	455019!	62X37	GARLK	6863S!	62X859	GARLK	471981
62X219	GARLK	471646!	62X38	GARLK	50199S!	62X85X8/10TAY	TRSCM	226285
62X2198	GARLK	455019!	62X38	GARLK	6863S!	62X85X8SC	TRSCM	62X85X8!
62X2225	GARLK	417621!	62X383	GARLK	472475	62X85X8TC	TRSCM	62X85X8!
62X2237	GARLK	416297	62X385	GARLK	473426	62X87	GARLK	471466!
62X224	GARLK	471137	62X3869	GARLK	472705!	62X898	GARLK	471504!
62X2270	GARLK	476470	62X387	GARLK	471765!	62X904	GARLK	472164!
62X2273	GARLK	417181!	62X388	GARLK	471765!	62X906	GARLK	472164!
62X2327	GARLK	417354!	62X390	GARLK	471354!	62X907	GARLK	472185!
62X2348	GARLK	417493	62X3921	GARLK	417601	62X909	GARLK	472185!
62X2366	GARLK	415991	62X3938	GARLK	417604	62X90X10SC	TRSCM	62X90X10
62X2366	GARLK	455146!	62X3949	GARLK	455966	62X90X10TC	TRSCM	62X90X10
62X2367	GARLK	415991	62X3954	GARLK	455462	62X91	GARLK	471255!
62X2367	GARLK	455146!	62X4031	GARLK	55228=	62X913	GARLK	472179
62X2369	GARLK	417196!	62X4062	GARLK	415076	62X928	GARLK	471984
62X2372	GARLK	415437	62X424	GARLK	471750!	62X9808	GARLK	471689!
62X2393	GARLK	415711	62X425	GARLK	471750!	63 AU-WS		417344!
62X2417	GARLK	416332!	62X427	GARLK	471766!	63 BL-KN		471267!
62X2421	GARLK	415937!	62X430	GARLK	471787!	63 WGEAR		417491
62X2462	GARLK	415379!	62X439	GARLK	450165	63-0001 MCCOR		12473
62X2501	GARLK	417211!	62X439	GARLK	471801!	63-463-1 DANA		417484
62X2504	GARLK	416345!	62X441	GARLK	450165	63006 VIC		240319
62X2519	GARLK	476470!	62X441	GARLK	471801!	63008J+65055W	TRISL	370054A
62X2519	GARLK	476470	62X4503	GARLK	55301S	63009J+65000W	TRISL	370015A
62X2537	GARLK	415035	62X4507	GARLK	455462	63010J+65073W	TRISL	370013A
62X2600	GARLK	417511	62X4560	GARLK	415294!	63013 VIC		415995!
62X2636	GARLK	417513	62X484	GARLK	450129	63013J+65261W	TRISL	370036A
62X2663	GARLK	416891!	62X484	GARLK	472826!	63013J+65261W	TRISL	370349A
62X270	GARLK	451583!	62X50	GARLK	471442!	63013J+65261W	TRISL	380036A
62X2711	GARLK	416380!	62X5246	GARLK	470625!	63014J+65277W	TRISL	370030A
62X2723	GARLK	416149	62X535	GARLK	470774!	63016 VIC		416229
62X2753	GARLK	416888!	62X543	GARLK	471192	63018 VIC		473210
			62X544	GARLK	473214!	63018J+65054W	TRISL	417506
						630196C91 IH		471649=
						6301LA JN-MN		417496 *
						630226 WILYS		471787
						63023J+65262W	TRISL	370065A
						63023J+65262W	TRISL	380065A
						63025 VIC		7300S
						63026J+65084W	TRISL	370019A
						63026J+65285W	TRISL	370019A
						63028J+65287W	TRISL	370007A
						63028J+65297W	TRISL	370057A
						63030 VIC		473227! *
						63031 VIC		473228!
						63032 VIC		472164!
						630327 ALLCH		471538!
						63033 VIC		471141! *
						630334C91 IH		413248
						630335C91 IH		417344!
						63034 VIC		473179!
						63034J+65291W	TRISL	370012A
						63035 VIC		472394
						63036 VIC		470530!
						63036J+65263W	TRISL	370001A
						63036J+65263W	TRISL	380001A
						63037 VIC		470898
						63037J+65092W	TRISL	370048A
						63037J+65092W	TRISL	380048A
						63037J+65298W	TRISL	370037A
						63037J+65298W	TRISL	370338A
						63040 VIC		412119 *
						63041 VIC		415449!
						63042 VIC		415001!
						63043 VIC		415960 *
						63044 VIC		417344! *
						63045 VIC		417159 *
						63046 VIC		416654 *
						6305 TMTR		472560N!
						63050 VIC		471141! *
						63051 VIC		7208S
						63052 VIC		471827 *
						63053 VIC		471829 *
						63053J+65261W	TRISL	370036A
						63053J+65261W	TRISL	370349A
						63053J+65261W	TRISL	380036A
						63055 VIC		471272!
						63057 VIC		472397! *
						63058 VIC		410987 * =
						63060 VIC		473228
						63062 VIC		43095S!
						630621C1 IH		417269 *
						63062J+65011W	TRISL	370047A
						63063J+65011W	TRISL	415437
						63063J+65073W	TRISL	370002A
						63066 VIC		470712!
						63067 VIC		473179
						630680 FWD		473215!
						630680 WILYS		473215!
						63071 VIC		414045!
						630724 WILYS		473444
						63074 VIC		472015! *
						63076 VIC		410737! *
						63077 VIC		418028
						63079 VIC		5711 *
						63079J+65283W	TRISL	370006A
						6308 C-R		471264!
						63083J+65287W	TRISL	370007A
						63084 VIC		470354
						63085 VIC		472636!
						63086 CLARK		471750!
						63086 WAUKE		471649!
						63088J+65071W	TRISL	415058
						63089 VIC		410059
						63089 VIC		470380!

! Industrial Size/Type * Minor Width Difference = Call 1-800-480-1212 for price and delivery.

Zero Duplication or Recommended		Zero Duplication or Recommended		Zero Duplication or Recommended		Zero Duplication or Recommended	
Mfr. No.	Name	Mfr. No.	Name	Mfr. No.	Name	Mfr. No.	Name
630895C1 IH	456967N=	63169 VIC	343186	63260S TROS	8429S	633630 ALLCH	473464!
630895C1 IH	456967V!	63170 VIC	240356	632611 ALLCH	416287N=	633630 ALLCH	473464
63090 VIC	350156	63171 VIC	240435	63261S TROS	8549S	63364 VIC	411394!
63090 VIC	473096	631713R91 IH	417079	63264 VIC	471538!	63365 VIC	410825
6309007 HERCU	450593!	63173 VIC	342517	6326594A HERCU	417205!	63366 VIC	410496!
6309007A HERCU	450593!	63174 VIC	357302	63267 VIC	240816	63366A OSHKO	415234!
63091J+65052W TRISL	370023A	63174 VIC	415991	6326964A HERCU	471646!	63367 VIC	415449!
63091J+65052W TRISL	380023A	63177 VIC	417621!	6326LA JN-MN	411253!	6336LA JN-MN	472636!
63093J+65000W TRISL	370124A	6318 C-R	471264	6327 SPG	493291	6336LUP JN-MN	472636!
63093J+65078W TRISL	370131A	63181 VIC	455194	63270 VIC	471267!	6336S TIMKE	6336S
63093J+65078W TRISL	380131A	63183 MICH	450457	6327026A HERCU	471442!	63372 VIC	417343!
6309745 HERCU	471554!	63184 VIC	471267!	63272 VIC	471270!	63374 VIC	417350!
6309745A HERCU	471554!	63185 VIC	312518!	63274 VIC	471354!	63377 VIC	456105 *
63098 VIC	343098	63185 VIC	342518	63278 VIC	471766!	63378 VIC	476470
630999 WILYS	473367	631850 CONTI	471766!	6327LA JN-MN	47196!*	6338 C-R	471255!
630999 WILYS	473367!	6318500 HERCU	415437	6328 SPG	3210	6338 VIC	471255!
6309SS JN-MN	471354!*	6318500A HERCU	415437	63280 VIC	343115	63380 VIC	455024
6310 HYST	415001!	63186 VIC	410308!	63281 VIC	6370N	63381 VIC	417191
63100 VIC	473234!	63187 VIC	6906S*	63282 VIC	473435	63381 VIC	456585
63101 TROS	8974S	63189 VIC	322353	63284 VIC	471192	63382 VIC	415991
63102 TROS	8975S	63189 VIC	474278!	63286 VIC	450776!*	63382 VIC	455146!
63102 VIC	340850	63193 VIC	43109S	63287 VIC	473197	63383 VIC	345146
63103 VIC	471766!	63195 VIC	6370N*	63288 VIC	6760S	63384 VIC	415937!
63104 VIC	253099	63196 VIC	6636S	6328SS JN-MN	470806*	63386 VIC	415379!
63106 VIC	330385	63198 VIC	417355!	63290 VIC	3395!	63386 VIC	415379
63107 VIC	412119!*	63198 VIC	485497	63290 VIC	352444	63387 VIC	415379
63109 VIC	416282	63199 VIC	327303!	63292 VIC	6966S*	63387 VIC	415379!
6310SH JN-MN	40286	631993R91 IH	417079	63296 VIC	6759S	63388 VIC	416339
6311 C-R	471264!	631HA516 C-R	6872S	63298 VIC	470625!	63388 VIC	455031!
631103C1 IH	471267	631HA516-L C-R	5471	63299 VIC	470059	6339 C-R	471255!
63111 VIC	416288	631W52-L C-R	7376=	63299 VIC	470380!	6339 SPG	450776!
63112 VIC	417316!	63201D IH	416163	6329LA JN-MN	474253	63391 VIC	416345!
63113 VIC	472439*	63201S TROS	8477S	6329S TIMKE	415284	63391 VIC	455033
63114 VIC	410825	63202 TROS	9195S=	633 C-R	5M497	63392 VIC	415035
63115 VIC	80313	63202 VIC	7600S	63301S TROS	9178S	63392 VIC	415035!
63116 VIC	200600	63203 VIC	472409!	63302 VIC	9613S	63395 VIC	415064 *
6311837 H-S	50010	6320331A HERCU	471137	63303 VIC	470380!	63396 VIC	415725!
6311837 HERCU	50010	632033R91 IH	471831!	63303 VIC	472189A	634 CARVR	471766!
6312 C-R	471264!	63203S TROS	473228	63304 VIC	471344*	634005 ALLCH	471765!
6312 TIMKE	6312	63209 VIC	472179	6330LA JN-MN	471733	634006 ALLCH	450930=
63122 VIC	343185	63213 VIC	343104	6330LPD JN-MN	471733	63401S TROS	8460N
63123 VIC	312518!	63215 VIC	471529	63310 VIC	204017	634037 ALLCH	417344!
63123 VIC	342518	6321593 HERCU	471255!	633103C91 IH	5276* =	6340376 ALLCH	417344!
6313046 H-S	471553!	6321606A HERCU	350156	63313 VIC	473235!*	6340S SPG	472258
6313046 HERCU	471553!	6321606A HERCU	473096	63314 VIC	473234!*	63412 VIC	40185
631305R91 IH	417079	63226 VIC	415001!	63316 VIC	6840S	63413 VIC	470565!
631319C91 IH	5175* =	6323 C-R	471264	63319 VIC	471504	63415 VIC	415085!
63132 VIC	343101	63231 VIC	347304	63321 VIC	6489*	63415 VIC	456648
631324C1 IH	JV829=	63232 VIC	330385!	63325 VIC	323119	63419 VIC	6336S
63139 VIC	481443!	63237 VIC	345035	63333 VIC	471141!	63420 VIC	415995!
63140 VIC	355669	6324 C-R	471264!	63337 VIC	6781*	63420 VIC	415995
63142 VIC	472560N	63240 TROS	484058	63338 VIC	473450!	634264C1 IH	473205!
63145 VIC	350936	63241S TROS	8597S	63339 VIC	6547*	63427 VIC	416624!
63148 VIC	351487	63243 VIC	471264!	63342 VIC	353120	63429 VIC	472015!
6315 C-R	471264	6324394A HERCU	471649!	63343R91 IH	471831!	63431C1 IH	450048
63150 VIC	240733	63246 VIC	327215	63344 VIC	6815	63433 VIC	473224
63156 VIC	343104	63246 VIC	415035	63344R91 IH	471831!	63435 VIC	471829
63157 VIC	342805	63247 VIC	470530!	633446R91 IH	290070=	63436 VIC	473234!
63158 VIC	340847	6324867A HERCU	350909	633446R91 IH	472185!	6344 C-R	240023*
63159 VIC	343105!	6324867A HERCU	471224!	633447R91 IH	472311!	63448 VIC	472324!
63159 VIC	7399S	6325 C-R	471264!	63345 VIC	471195!	634519 ALLCH	417269!
6316 C-R	471264!	63250010 TROS	417541	63347 VIC	473459*	63456 VIC	342613!
63160 VIC	340849	63251610 TROS	417547	63349 VIC	472144!	63457 VIC	343123
63160S TROS	8430S	63252410 TROS	455576!	63350 VIC	40094S	63459 VIC	472397!
63161 VIC	340387	63253210 TROS	417254	63351 VIC	472492!	634631 SPICE	417484
63162 VIC	340826	632532X18 TROS	417254	63354 VIC	470898!	6346A C-R	410708
63163 VIC	470954!	63258 VIC	340724!	63356 VIC	410308*	63470 VIC	473231!
63165 VIC	240731	632589 ALLCH	J1044=	63358 VIC	40097S	634703 ALLCH	417344!
63166 VIC	340835	63259 VIC	471466!	63360 VIC	410737!*	63472 VIC	473367!
6316675 H-S	481644	6325LA JN-MN	416865!	63361 VIC	472636!	634723R91 IH	472144!
6316675A HERCU	481644	6325LUP JN-MN	416865!	63362 VIC	411253!	63476 VIC	417350* =
63167 VIC	472560N*	632608 ALLCH	471413	63363 VIC	5921*	6348 C-R	471255!

! Industrial Size/Type * Minor Width Difference = Call 1-800-480-1212 for price and delivery.

Zero Duplication or Recommended		Zero Duplication or Recommended		Zero Duplication or Recommended		Zero Duplication or Recommended		
Mfr. No.	Name	Mfr. No.	Name	Mfr. No.	Name	Mfr. No.	Name	
63487	VIC	311189*	6362SS JN-MN	330385!	63751 C-R	417563	63X0101 GARLK	481073
6349	C-R	471255!	6363 C-R	240023*	63753 WAUKE	471567!	63X0102 GARLK	481073
63491	VIC	481644	636415R91 IH	352541	63757 AM WH	473444	63X0105 GARLK	481397
63499	VIC	470380!	63642 VIC	473179	6376 C-R	471255!	63X0106 GARLK	481397
63500	VIC	472397!	636423R91 IH	5588=	6377 C-R	471255!	63X0335 GARLK	473420
63503	VIC	455079!	636423R92 IH	5588=	637790 WILYS	5585\$	63X0541 GARLK	471192
63503S	TROS	332062	63647 VIC	7840S	63780 C-R	417563	63X0547 GARLK	473215!
63504	VIC	415088	636529 CONTI	471688	63785 C-R	417563	63X0643 GARLK	470625
63506	VIC	455858	636628R91 IH	471529	6379 C-R	471255	63X1003 GARLK	451993=
63507	VIC	476842	636635B BENDI	473214!	63793C91 IH	470088	63X1005 GARLK	451993=
63508	VIC	7235S	636636B BENDI	471801!	6380 C-R	471255!	63X1006 GARLK	473451!*
63517	VIC	340827	636717B BENDI	472179	6380 VIC	471255!	63X1012 GARLK	473452
63518	VIC	323125	636859B BENDI	474255	6380S TIMKE	6380	63X1021 GARLK	473453
63518	VIC	450456!	6369SS JN-MN	323138!	6381 C-R	450557	63X1023 GARLK	473453*
63519	VIC	471516!	6370 C-R	240023	6381 C-R	471255!	63X1042 GARLK	472439*
6352	SEAMA	470059	63700 C-R	55692=	638137 CONTI	481568!	63X1043 GARLK	472439*
6352	SEAMA	470380!	63701 TROS	5337	6381LA JN-MN	415394	63X1044 GARLK	472439
63527	VIC	417597	63702S TROS	415284	638223 CATER	7512S=	63X1045 GARLK	471868
63536	VIC	473016!	637088 WHITE	415302	638223 GERL	7512S=	63X1047 GARLK	471868
63541	VIC	472287!	6370N TIMKE	6370N	63825 C-R	162X200X15*	63X1048 GARLK	472572!
63543	VIC	470487!	6371 NATL	414268	6383 C-R	471255	63X1050 GARLK	472572!
63544	VIC	323126	63710 C-R	55692=	638336 ALLCH	473473	63X1051 GARLK	473179!
63544	VIC	474278!	63712 VIC	471442!	6384 C-R	471564*	63X1052 GARLK	473179!
63546	VIC	473234!	6372 C-R	471255!	638416 C-R	417532	63X1053 GARLK	473179!
63550	VIC	470625!	63722 C-R	55242	638422 C-R	417537	63X1054 GARLK	414045!*
63550	VIC	5115	637237 WILYS	5585\$	638430 C-R	417540	63X1057 GARLK	473238
63557	AM WH	415001!	6373 C-R	471255!	638510A HARWA	63X85X10	63X1058 GARLK	473238
63557	VIC	417316!	6373 SPG	470774!	638510XX TIMKE	63X85X10	63X1059 GARLK	473238!
635571R91	IH	472185!	63733 C-R	417563	638512 C-R	417551	63X1060 GARLK	450084!
6356	C-R	471255!	63734 C-R	417563*	63852 C-R	455290	63X1062 GARLK	450084!
63560S	TROS	473445	63735 VIC	415035	63854 AM HO	417546!	63X1063 GARLK	473239
63561S	TROS	471413!	63737 VIC	456946N=	63854 C-R	417546!	63X1065 GARLK	473239
63565	VIC	470380!	63738 VIC	417357	63854 MINMA	417546!	63X1066 GARLK	473457!*
63567	AM WH	416476!	6374 C-R	471255!	63854M1 C-R	417546!	63X1069 GARLK	473240!*
63567	VIC	473197	63740C1 IH	473426	638573F1 GARLK	415001!	63X1071 GARLK	473240!
6357	C-R	471255!	637462C1 IH	410708	638586 WILYS	450415	63X1075 GARLK	473458!*
63571	VIC	470605!	637467B BENDI	473236!	6385R JN-MN	417780*	63X1076 GARLK	473458!
63573	WAUKE	481568!	637470 BENDI	471570!	6386 C-R	471564	63X1078 GARLK	472439*
635778	ALLCH	415995!	637471 BENDI	476838!	638607 ALLCH	415458!	63X1081 GARLK	471868*
6357S	TIMKE	6357S	637473 BENDI	471750!	63876PM VIC	415027	63X1084 GARLK	472572!
6358	TIMKE	6358	637474B BENDI	473212!	6388 SPG	6489	63X109 GARLK	471529
63580	VIC	471763	637475 BENDI	473215!	6388SS JN-MN	472705!*	63X1090 GARLK	414045!*
63584	VIC	472636!	637476 BENDI	470059	638W54 C-R	417546!	63X1100 GARLK	471529
63584C1	IH	471795	637476 BENDI	470380!	639010A HARWA	63X90X10	63X1105 GARLK	473240!*
63588	VIC	470328	637477 BENDI	473228	639010XX TIMKE	63X90X10	63X111 GARLK	471538!*
63588	VIC	481213!	637479 BENDI	50075=	639095 WILYS	340413	63X1114 GARLK	472319
63592	VIC	415351!	637480 BENDI	472185!	63910 EATON	415458	63X1116 GARLK	472319
63594	VIC	415697!	637481 BENDI	470334!	639265 WILYS	5778	63X1117 GARLK	473459
636-X1510	OLIVE	411253!	637482 BENDI	470088	6394 C-R	471653!	63X1119 GARLK	473459
636-X1512	OLIVE	450400	637483 BENDI	473462	63941 EATON	415259!	63X112 GARLK	471538!
636-X1514	OLIVE	450326	637484 BENDI	470530!	639422 C-R	417537	63X1120 GARLK	473241
636-X1516	OLIVE	473467!	637485 BENDI	413469!	639433 WILYS	471827	63X1122 GARLK	473241
63601	VIC	7412S	637486 BENDI	411253!	6395 C-R	471653!	63X1129 GARLK	472144!
63601S	TROS	8804S=	637487 BENDI	415001!	63954 VIC	410825	63X113 GARLK	471553!
63602S	TROS	472082	637488 BENDI	417316!	63961 TROS	472951	63X1130 GARLK	472144!
63603	VIC	472705!	637489 BENDI	415960!	63961 TROS	474252	63X1131 GARLK	472144!*
6361	FULLE	417191	637490 BENDI	416921!	639635 CLARK	40316S	63X1132 GARLK	473460
6361	FULLE	455165!	637491 BENDI	415995!	63968 VIC	456946N=	63X1134 GARLK	473460
63612	VIC	472144!	637492 BENDI	415021	639837 CHRYS	474278!	63X1135 GARLK	472394*
636139	WILYS	471787	637493 BENDI	415023	63986 AM WH	471141!	63X1137 GARLK	472394
63615	VIC	471529	637494 BENDI	415027	63C1-2S TROS	8597S	63X1138 GARLK	473461!*
6362	NATL	473235	637494 BENDI	415027!	63CDP-2 TROS	484058	63X1139 GARLK	473461!*
6362	SPG	473235	637495 BENDI	416339	63GB-2S TROS	473228	63X114 GARLK	471553!
63620	VIC	415995!	637495 BENDI	455031!	63GC-4S TROS	8460N	63X1141 GARLK	471391!*
63620	VIC	415995	637496 BENDI	415045!	63GO-8S TROS	472082	63X1142 GARLK	471391!*
63621	VIC	472324!	637497 BENDI	415284	63GP-8S TROS	332062	63X1143 GARLK	471391!
63622	VIC	471764!	637498 BENDI	417273	63GT-2 TROS	9015S	63X1147 GARLK	473462
63622	VIC	471764*	637499 BENDI	416107!	63R-2S TROS	8429S	63X1148 GARLK	473462
63624	VIC	470682	637499 BENDI	455073	63RA-2S TROS	8549S	63X1149 GARLK	473462
63625	VIC	471138!	6375 C-R	471255!	63S-7S TROS	473445	63X115 GARLK	471579
63625	VIC	472164!	63750 C-R	417563	63W-1S TROS	8430S	63X1150 GARLK	450472!*
636288	ALLCH	415023	637500 BENDI	450039	63X0005 GARLK	350364	63X1153 GARLK	473241

! Industrial Size/Type * Minor Width Difference \$F-M Number Is Part Of A Kit = Call 1-800-480-1212 for price and delivery.

Zero Duplication or Recommended		Zero Duplication or Recommended		Zero Duplication or Recommended		Zero Duplication or Recommended		
Mfr. No.	Name	Mfr. No.	Name	Mfr. No.	Name	Mfr. No.	Name	
63X1154	GARLK	473241*	63X1324	GARLK	473467	63X1480	GARLK	471138!
63X116	GARLK	471579*	63X1326	GARLK	473467	63X1481	GARLK	471138!
63X1162	GARLK	450474*	63X1327	GARLK	472015!	63X1482	GARLK	471138!
63X1165	GARLK	50528*	63X1328	GARLK	472015!	63X1486	GARLK	410737!
63X1166	GARLK	50528*	63X1329	GARLK	472015!	63X149	GARLK	471684!
63X1167	GARLK	50528	63X1330	GARLK	410308!	63X1492	GARLK	472636!
63X1171	GARLK	473461!*	63X1331	GARLK	410308!	63X1493	GARLK	472636!
63X1174	GARLK	471391!*	63X1332	GARLK	410308!	63X1494	GARLK	472636!
63X1180	GARLK	473462	63X1333	GARLK	472016*	63X1495	GARLK	411253!
63X1186	GARLK	471870!	63X1334	GARLK	472016	63X1496	GARLK	411253!
63X1187	GARLK	471870!	63X1335	GARLK	472016	63X1497	GARLK	411253!
63X1188	GARLK	471870!	63X1339	GARLK	472409!	63X1498	GARLK	412920!
63X1189	GARLK	472492!	63X1341	GARLK	472409!	63X1499	GARLK	412920!
63X119	GARLK	471642	63X1345	GARLK	473243	63X15	GARLK	350156
63X1190	GARLK	472492!	63X1346	GARLK	473243	63X15	GARLK	473096
63X1191	GARLK	472492!	63X1347	GARLK	473243	63X150	GARLK	471684!
63X1198	GARLK	472924!	63X1348	GARLK	413469!*	63X1500	GARLK	412920!
63X1199	GARLK	472924!	63X1349	GARLK	413469!*	63X1501	GARLK	455136*
63X1200	GARLK	472924!	63X1350	GARLK	413469!*	63X1504	GARLK	411376!
63X1201	GARLK	470530!	63X1357	GARLK	416267!*	63X1505	GARLK	411376!
63X1203	GARLK	470530!	63X1359	GARLK	416267!	63X1506	GARLK	411376!
63X1204	GARLK	472397!	63X1363	GARLK	473467	63X1507	GARLK	472299*
63X1205	GARLK	472397!	63X1365	GARLK	473467	63X151	GARLK	450033*
63X1206	GARLK	472397!	63X1369	GARLK	410308!	63X1510	GARLK	471272!
63X1207	GARLK	473463*	63X1372	GARLK	472016*	63X152	GARLK	450033
63X1209	GARLK	473463	63X1378	GARLK	450621*	63X1522	GARLK	410737!
63X121	GARLK	470506!	63X1384	GARLK	450869*	63X1528	GARLK	470645*
63X1210	GARLK	473242*	63X1385	GARLK	450869*	63X153	GARLK	470390*
63X1212	GARLK	473242	63X1396	GARLK	416267!*	63X1531	GARLK	411253!
63X1216	GARLK	473464!	63X1398	GARLK	416267!	63X1534	GARLK	412920!
63X1216	GARLK	473464	63X1399	GARLK	473244	63X1537	GARLK	455136!
63X1217	GARLK	473464	63X14	GARLK	330385!	63X1540	GARLK	411376!
63X1217	GARLK	473464!	63X1400	GARLK	473244	63X1546	GARLK	415234!*
63X1218	GARLK	473464	63X1401	GARLK	473244	63X1549	GARLK	415259!*
63X1218	GARLK	473464!	63X1402	GARLK	472018	63X155	GARLK	473407*
63X1222	GARLK	472924!	63X1403	GARLK	472018	63X156	GARLK	473407
63X1225	GARLK	470530!	63X1404	GARLK	472018*	63X1561	GARLK	472150*
63X1228	GARLK	472397!	63X1405	GARLK	473471*	63X1563	GARLK	472150
63X1231	GARLK	473463*	63X1406	GARLK	473471	63X157	GARLK	470601
63X124	GARLK	50026*	63X1407	GARLK	473471	63X1573	GARLK	411394!
63X1240	GARLK	473464!	63X1408	GARLK	472020*	63X1575	GARLK	411394!
63X1240	GARLK	473464	63X1410	GARLK	472020*	63X1576	GARLK	410694!*
63X1246	GARLK	412027*	63X1414	GARLK	470354*	63X1578	GARLK	410694!*
63X1252	GARLK	451948	63X1415	GARLK	470354	63X1579	GARLK	450133*
63X1253	GARLK	451948	63X1416	GARLK	470354*	63X158	GARLK	470601
63X1254	GARLK	451948*	63X142	GARLK	471554!	63X1581	GARLK	450133*
63X1255	GARLK	473466	63X1420	GARLK	473245!*	63X1585	GARLK	416444*
63X1258	GARLK	472012	63X1422	GARLK	471504!	63X1587	GARLK	416444
63X1260	GARLK	472012	63X1423	GARLK	412943*	63X1588	GARLK	455647=
63X1261	GARLK	450307*	63X1425	GARLK	412943*	63X159	GARLK	481443!
63X1263	GARLK	450307	63X1426	GARLK	413472	63X1594	GARLK	455321*
63X1264	GARLK	450311*	63X1428	GARLK	413472	63X1596	GARLK	455321
63X1266	GARLK	450311	63X143	GARLK	471567!	63X16	GARLK	350156
63X1270	GARLK	416738!	63X1432	GARLK	416268	63X16	GARLK	473096
63X1270	GARLK	450096	63X1434	GARLK	416268	63X160	GARLK	481443!*
63X1276	GARLK	450313	63X1435	GARLK	472234*	63X1600	GARLK	472150*
63X1278	GARLK	450313	63X1438	GARLK	472018*	63X1602	GARLK	472150
63X1279	GARLK	450532	63X144	GARLK	471567!	63X161	GARLK	481568!
63X1282	GARLK	451948*	63X1441	GARLK	473471*	63X1612	GARLK	411394!
63X1285	GARLK	473466*	63X1444	GARLK	472020*	63X162	GARLK	481443!
63X1288	GARLK	472012*	63X145	GARLK	471498*	63X1633	GARLK	455321*
63X1291	GARLK	450307*	63X1450	GARLK	470354*	63X1639	GARLK	473474*
63X1294	GARLK	450311*	63X1459	GARLK	50631*	63X1641	GARLK	473474
63X13	GARLK	330385!	63X146	GARLK	471498	63X1642	GARLK	470565!
63X1300	GARLK	416738!	63X147	GARLK	471643!	63X1644	GARLK	470565!
63X1300	GARLK	450096	63X1471	GARLK	471341!	63X1648	GARLK	473475*
63X1306	GARLK	450313*	63X1473	GARLK	471341!	63X165	GARLK	481644
63X1309	GARLK	450532*	63X1474	GARLK	471272!	63X1650	GARLK	473475*
63X1312	GARLK	450343*	63X1475	GARLK	471272!	63X1654	GARLK	413246
63X1321	GARLK	470898	63X1476	GARLK	471272!	63X1655	GARLK	413246
63X1322	GARLK	470898	63X1477	GARLK	473473*	63X1656	GARLK	413246
63X1323	GARLK	470898	63X1479	GARLK	473473	63X1657	GARLK	412119!
63X1658	GARLK	412119!	63X1658	GARLK	412119!	63X1658	GARLK	412119!
63X1659	GARLK	412119!	63X1659	GARLK	412119!	63X1659	GARLK	412119!
63X166	GARLK	481644*	63X166	GARLK	413247!	63X166	GARLK	413247!
63X1660	GARLK	413247!	63X1660	GARLK	413247!	63X1660	GARLK	413247!
63X1661	GARLK	413247!	63X1661	GARLK	413247!	63X1661	GARLK	413247!
63X1662	GARLK	413247!	63X1662	GARLK	413247!	63X1662	GARLK	413247!
63X1663	GARLK	410987!	63X1663	GARLK	410987!	63X1663	GARLK	410987!
63X1666	GARLK	416271!*	63X1666	GARLK	416271!*	63X1666	GARLK	416271!*
63X1668	GARLK	416271!	63X1668	GARLK	416271!	63X1668	GARLK	416271!
63X1669	GARLK	412861	63X1669	GARLK	412861	63X1669	GARLK	412861
63X167	GARLK	471337	63X167	GARLK	471337	63X167	GARLK	471337
63X1671	GARLK	412861	63X1671	GARLK	412861	63X1671	GARLK	412861
63X1672	GARLK	410825	63X1672	GARLK	410825	63X1672	GARLK	410825
63X1675	GARLK	416071*	63X1675	GARLK	416071*	63X1675	GARLK	416071*
63X1677	GARLK	416071	63X1677	GARLK	416071	63X1677	GARLK	416071
63X1679	GARLK	417480!	63X1679	GARLK	417480!	63X1679	GARLK	417480!
63X1680	GARLK	417480!	63X1680	GARLK	417480!	63X1680	GARLK	417480!
63X1687	GARLK	473475*	63X1687	GARLK	473475*	63X1687	GARLK	473475*
63X169	GARLK	474273	63X169	GARLK	474273	63X169	GARLK	474273
63X1693	GARLK	413246	63X1693	GARLK	413246	63X1693	GARLK	413246
63X1696	GARLK	412119!	63X1696	GARLK	412119!	63X1696	GARLK	412119!
63X1699	GARLK	413247!	63X1699	GARLK	413247!	63X1699	GARLK	413247!
63X17	GARLK	471103!	63X17	GARLK	471103!	63X17	GARLK	471103!
63X1705	GARLK	416271!*	63X1705	GARLK	416271!*	63X1705	GARLK	416271!*
63X171	GARLK	451739=	63X171	GARLK	451739=	63X171	GARLK	451739=
63X1714	GARLK	416071*	63X1714	GARLK	416071*	63X1714	GARLK	416071*
63X172	GARLK	451739=	63X172	GARLK	451739=	63X172	GARLK	451739=
63X1723	GARLK	471887	63X1723	GARLK	471887	63X1723	GARLK	471887
63X1725	GARLK	471887	63X1725	GARLK	471887	63X1725	GARLK	471887
63X1735	GARLK	412040*	63X1735	GARLK	412040*	63X1735	GARLK	412040*
63X1737	GARLK	412040	63X1737	GARLK	412040	63X1737	GARLK	412040
63X1738	GARLK	411500*	63X1738	GARLK	411500*	63X1738	GARLK	411500*
63X1740	GARLK	411500*	63X1740	GARLK	411500*	63X1740	GARLK	411500*
63X1741	GARLK	413478*	63X1741	GARLK	413478*	63X1741	GARLK	413478*
63X1742	GARLK	413478*	63X1742	GARLK	413478*	63X1742	GARLK	413478*
63X1743	GARLK	413478*	63X1743	GARLK	413478*	63X1743	GARLK	413478*
63X1744	GARLK	450104*	63X1744	GARLK	450104*	63X1744	GARLK	450104*
63X1745	GARLK	450104*	63X1745	GARLK	450104*	63X1745	GARLK	450104*
63X1746	GARLK	450104	63X1746	GARLK	450104	63X1746	GARLK	450104
63X1747	GARLK	411245!	63X1747	GARLK	411245!	63X1747	GARLK	411245!
63X1749	GARLK	411245!	63X1749	GARLK	411245!	63X1749	GARLK	411245!
63X175	GARLK	471539!	63X175	GARLK	471539!	63X175	GARLK	471539!
63X1750	GARLK	417073*	63X1750	GARLK	417073*	63X1750	GARLK	417073*
63X1751	GARLK	417073*	63X1751	GARLK	417073*	63X1751	GARLK	417073*
63X1752	GARLK	417073	63X1752	GARLK	417073	63X1752	GARLK	417073
63X176	GARLK	471539!	63X176	GARLK	471539!	63X176	GARLK	471539!
63X177	GARLK	471231!	63X177	GARLK	471231!	63X177	GARLK	471231!
63X1771	GARLK	412040*	63X1771	GARLK	412040*	63X1771	GARLK	412040*
63X1774	GARLK	50560*	63X1774	GARLK	50560*	63X1774	GARLK	50560*
63X1775	GARLK	50560	63X1775	GARLK	50560	63X1775	GARLK	50560
63X178	GARLK	471231!	63X178	GARLK	471231!	63X178	GARLK	471231!
63X1780	GARLK	450104*	63X1780	GARLK	450104*	63X1780	GARLK	450104*
63X1783	GARLK	411245!	63X1783	GARLK	411245!	63X1783	GARLK	411245!
63X179	GARLK	474253	63X179	GARLK	474253	63X179	GARLK	474253
63X18	GARLK	471103!	63X18	GARLK	471103!	63X18	GARLK	471103!
63X180	GARLK	474253	63X180	GARLK	474253	63X180	GARLK</	

Zero Duplication or Recommended		Zero Duplication or Recommended		Zero Duplication or Recommended		Zero Duplication or Recommended		
Mfr. No.	Name	Mfr. No.	Name	Mfr. No.	Name	Mfr. No.	Name	
63X1820	GARLK	415449!	63X1993	GARLK	455434*	63X215	GARLK	471570!
63X1821	GARLK	415449!	63X1994	GARLK	455434*	63X2150	GARLK	471759*
63X1822	GARLK	415001!	63X2002	GARLK	455151*	63X2151	GARLK	471759*
63X1823	GARLK	415001!	63X2003	GARLK	455151*	63X2152	GARLK	416654!
63X1824	GARLK	415001!	63X2004	GARLK	455151	63X2153	GARLK	416654!
63X1825	GARLK	416273	63X2005	GARLK	455008*	63X2154	GARLK	416654!
63X1826	GARLK	416273!	63X2006	GARLK	455008*	63X2155	GARLK	417486*
63X1827	GARLK	416273!	63X2007	GARLK	455008*	63X2157	GARLK	416956*
63X1828	GARLK	455079!*	63X2014	GARLK	455434*	63X216	GARLK	471570!*
63X183	GARLK	471645	63X2023	GARLK	455151*	63X2160	GARLK	471759*
63X1830	GARLK	455079!	63X2025	GARLK	455151	63X2163	GARLK	416654!
63X1831	GARLK	415082*	63X2026	GARLK	455008*	63X2166	GARLK	417486*
63X1834	GARLK	455655!*	63X2028	GARLK	455008*	63X2168	GARLK	417349*
63X1836	GARLK	455655!*	63X203	GARLK	473415*	63X2169	GARLK	417349*
63X1840	GARLK	471271!	63X2032	GARLK	480491*	63X217	GARLK	471633!*
63X1841	GARLK	471271!	63X2034	GARLK	480491	63X2170	GARLK	417349*
63X185	GARLK	471686	63X2035	GARLK	416664!	63X2171	GARLK	417350!
63X1852	GARLK	415449!	63X2036	GARLK	416664!	63X2172	GARLK	417350!
63X1855	GARLK	415001!	63X2037	GARLK	416664!	63X2173	GARLK	417350!
63X1857	GARLK	415001!	63X2038	GARLK	417484!	63X2174	GARLK	415995!
63X1858	GARLK	416273!	63X2039	GARLK	417484!	63X2175	GARLK	415995!
63X1861	GARLK	455079!*	63X204	GARLK	473415	63X2176	GARLK	415995!
63X187	GARLK	473412*	63X2040	GARLK	417484!	63X218	GARLK	471633!*
63X1882	GARLK	413479	63X2041	GARLK	415984!*	63X2189	GARLK	55548
63X1885	GARLK	415302*	63X2043	GARLK	415984!*	63X219	GARLK	471646!
63X1886	GARLK	415302*	63X2044	GARLK	417316!	63X2190	GARLK	55548*
63X1887	GARLK	415302	63X2045	GARLK	417316!	63X2191	GARLK	55548*
63X1888	GARLK	455311*	63X2046	GARLK	417316!	63X2196	GARLK	455820*
63X189	GARLK	471729*	63X2047	GARLK	415960	63X2197	GARLK	455820*
63X1890	GARLK	455311	63X2048	GARLK	415960	63X220	GARLK	471646!
63X1891	GARLK	415988*	63X2049	GARLK	415960	63X221	GARLK	470590*
63X1892	GARLK	415988*	63X2050	GARLK	416706!	63X222	GARLK	470590
63X1893	GARLK	415988*	63X2052	GARLK	416706!	63X2223	GARLK	455020*
63X1894	GARLK	417481*	63X2059	GARLK	417484!	63X2224	GARLK	455020*
63X1896	GARLK	417481*	63X2062	GARLK	415984!*	63X2225	GARLK	417621!
63X1897	GARLK	455280*	63X2065	GARLK	417316!	63X223	GARLK	471137*
63X1899	GARLK	455280	63X2067	GARLK	417316!	63X224	GARLK	471137
63X1909	GARLK	411330!*	63X2068	GARLK	415960	63X225	GARLK	471730*
63X1912	GARLK	415302*	63X2086	GARLK	455005*	63X226	GARLK	471730
63X1915	GARLK	455311*	63X2088	GARLK	455005	63X227	GARLK	481741=
63X1918	GARLK	415988*	63X2089	GARLK	417485*	63X228	GARLK	481741=
63X1921	GARLK	417481*	63X2090	GARLK	417485*	63X229	GARLK	470645*
63X1924	GARLK	455280*	63X2091	GARLK	417485*	63X237	GARLK	482371=
63X1926	GARLK	455280*	63X2092	GARLK	475384*	63X241	GARLK	450038*
63X1927	GARLK	412871!	63X2093	GARLK	475384	63X2436	GARLK	415832*
63X193	GARLK	472452	63X2094	GARLK	475384*	63X2437	GARLK	415832*
63X1930	GARLK	412871!	63X21	GARLK	50010*	63X2451	GARLK	55646* =
63X1932	GARLK	412871!	63X2101	GARLK	455005*	63X2452	GARLK	55646* =
63X1933	GARLK	413248	63X2103	GARLK	455005	63X251	GARLK	471571
63X1935	GARLK	413248	63X2104	GARLK	417485*	63X2510	GARLK	417366!*
63X1936	GARLK	450412*	63X2115	GARLK	415303!*	63X2513	GARLK	415958
63X1939	GARLK	415483!	63X2117	GARLK	415303!*	63X2513	GARLK	415958!
63X1941	GARLK	415483!	63X2118	GARLK	417344!	63X252	GARLK	471571*
63X1945	GARLK	415458!	63X2120	GARLK	417344!	63X255	GARLK	471647*
63X1946	GARLK	415458!	63X2121	GARLK	417158!	63X256	GARLK	471647*
63X1947	GARLK	415458!	63X2122	GARLK	417158!	63X257	GARLK	472951
63X1948	GARLK	417343!*	63X2123	GARLK	417158!	63X257	GARLK	474252
63X195	GARLK	473414*	63X2124	GARLK	416921!	63X258	GARLK	472951
63X1950	GARLK	417343!	63X2125	GARLK	416921!	63X258	GARLK	474252
63X1951	GARLK	415007*	63X2126	GARLK	416921!	63X259	GARLK	450039*
63X1952	GARLK	415007*	63X2127	GARLK	417134	63X260	GARLK	450039
63X1954	GARLK	417082*	63X2128	GARLK	417134	63X269	GARLK	451583!
63X1955	GARLK	417082*	63X213	GARLK	471267!	63X270	GARLK	451583!
63X1956	GARLK	417082	63X2132	GARLK	417344!	63X2706	GARLK	417238
63X1960	GARLK	413248	63X2135	GARLK	416404!*	63X2707	GARLK	417238*
63X1966	GARLK	415483!	63X2138	GARLK	416921!	63X271	GARLK	450545*
63X1972	GARLK	415458!	63X214	GARLK	450398	63X273	GARLK	471648*
63X1975	GARLK	417343!*	63X214	GARLK	471267!	63X274	GARLK	471648*
63X1978	GARLK	415007*	63X2146	GARLK	416956*	63X275	GARLK	471688
63X1981	GARLK	417082*	63X2147	GARLK	416956*	63X276	GARLK	471688
63X1987	GARLK	415302	63X2148	GARLK	416956	63X277	GARLK	450040*
63X199	GARLK	473414*	63X2149	GARLK	417159*	63X278	GARLK	450040
63X279	GARLK	451082*	63X285	GARLK	450339*	63X286	GARLK	450339
63X287	GARLK	471224!	63X288	GARLK	471224!	63X289	GARLK	473380*
63X290	GARLK	473380	63X291	GARLK	471649!	63X292	GARLK	471649!
63X293	GARLK	471689!	63X294	GARLK	471689!	63X295	GARLK	450593*
63X296	GARLK	450593!	63X297	GARLK	471733*	63X298	GARLK	471733
63X299	GARLK	471744!*	63X299	GARLK	471744!*	63X2994	GARLK	417258
63X300	GARLK	471744!	63X300	GARLK	471744!	63X2995	GARLK	417258*
63X301	GARLK	471760*	63X302	GARLK	471760	63X300	GARLK	471744!
63X302	GARLK	471619!	63X303	GARLK	471619!	63X301	GARLK	471760*
63X304	GARLK	471619!	63X304	GARLK	471619!	63X302	GARLK	471760
63X305	GARLK	471076	63X305	GARLK	471076	63X303	GARLK	471619!
63X306	GARLK	471076	63X306	GARLK	471076	63X304	GARLK	471619!
63X307	GARLK	481650	63X307	GARLK	481650	63X305	GARLK	471076
63X308	GARLK	481650*	63X308	GARLK	481650*	63X306	GARLK	471076
63X323	GARLK	471651	63X323	GARLK	471651	63X307	GARLK	481650
63X324	GARLK	471651*	63X324	GARLK	471651*	63X308	GARLK	481650*
63X325	GARLK	471705!	63X325	GARLK	471705!	63X329	GARLK	471651
63X326	GARLK	471705!	63X326	GARLK	471705!	63X324	GARLK	471651*
63X327	GARLK	473419	63X327	GARLK	473419	63X325	GARLK	471705!
63X328	GARLK	473419	63X328	GARLK	473419	63X326	GARLK	471705!
63X329	GARLK	471735*	63X329	GARLK	471735*	63X327	GARLK	473419
63X330	GARLK	471735	63X330	GARLK	471735	63X328	GARLK	473419
63X331	GARLK	450342	63X331	GARLK	450342	63X329	GARLK	471735*
63X333	GARLK	471762!	63X333	GARLK	471762!	63X330	GARLK	471735
63X334	GARLK	471762!	63X334	GARLK	471762!	63X331	GARLK	450342
63X335	GARLK	473420*	63X335	GARLK	473420*	63X332	GARLK	471762!
63X336	GARLK	473420	63X336	GARLK	473420	63X333	GARLK	471762!
63X341	GARLK	450044*	63X341	GARLK	450044*	63X334	GARLK	471762!
63X347	GARLK	450159*	63X347	GARLK	450159*	63X335	GARLK	473420*
63X35	GARLK	472810!	63X35	GARLK	472810!	63X336	GARLK	473420
63X351	GARLK	471652	63X351	GARLK	471652	63X337	GARLK	471652
63X352	GARLK	471652	63X352	GARLK	471652	63X338	GARLK	471692!
63X353	GARLK	471692!	63X353	GARLK	471692!	63X339	GARLK	415482
63X354	GARLK	471692!	63X354	GARLK	471692!	63X355	GARLK	476838!
63X3547	GARLK	415482	63X3547	GARLK	415482	63X356	GARLK	415551*
63X355	GARLK	476838!	63X355	GARLK	476838!	63X357	GARLK	476838!
63X357	GARLK	470712!	63X357	GARLK	470712!	63X358	GARLK	470712!
63X358	GARLK	470712!	63X358	GARLK	470712!	63X359	GARLK	471763*
63X359	GARLK	471763*	63X359	GARLK	471763*	63X36	GARLK	472810!
63X360	GARLK	471763	63X360	GARLK	471763	63X361	GARLK	471785!
63X361	GARLK	471785!	63X361	GARLK	471785!	63X362	GARLK	471785!
63X362	GARLK	471785!	63X362	GARLK	471785!	63X363	GARLK	471736
63X363	GARLK	471736	63X363	GARLK	471736	63X364	GARLK	473428*
63X365	GARLK	473428*	63X365	GARLK	473428*	63X367	GARLK	471764!
63X366	GARLK	473428*	63X366	GARLK	473428*	63X368	GARLK	473427*
63X367	GARLK	471764!	63X367	GARLK	471764!	63X369	GARLK	473427*
63X369	GARLK	501999S!	63X369	GARLK	501999S!	63X37	GARLK	6863S!
63X37	GARLK	6863S!	63X37	GARLK	6863S!	63X370	GARLK	473427
63X370	GARLK	473427	63X370	GARLK	473427	63X371	GARLK	450362*
63X374	GARLK	450600=	63X374	GARLK	450600=	63X372	GARLK	450600=
63X38	GARLK	501999S!	63X38	GARLK	501999S!	63X373	GARLK	450600=
63X38	GARLK	501999S!	63X38	GARLK	501999S!	63X374	GARLK	450600=
63X38	GARLK	6863S!	63X38	GARLK	6863S!	63X375	GARLK	450600=
63X383	GARLK	472475*	63X383	GARLK	472475*	63X376	GARLK	450600=
63X384	GARLK	472475	63X384	GARLK	472475	63X377	GARLK	450600=

! Industrial Size/Type * Minor Width Difference = Call 1-800-480-1212 for price and delivery.

Zero Duplication or Recommended		Zero Duplication or Recommended		Zero Duplication or Recommended		Zero Duplication or Recommended		
Mfr. No.	Name	Mfr. No.	Name	Mfr. No.	Name	Mfr. No.	Name	
63X385	GARLK	473426*	63X4600	GARLK	474256	63X4802	GARLK	450545
63X386	GARLK	473426	63X4603	GARLK	471231!	63X4803	GARLK	55532=
63X3863	GARLK	350435	63X4605	GARLK	471554!	63X4804	GARLK	417487
63X3869	GARLK	472705!	63X4610	GARLK	415871*	63X4805	GARLK	55228*=
63X387	GARLK	471765!	63X4640	GARLK	415991	63X4806	GARLK	455129*
63X3871	GARLK	450342	63X4640	GARLK	455146!	63X4808	GARLK	417247!*
63X3872	GARLK	471747!	63X4645	GARLK	450143	63X4809	GARLK	415294!
63X3873	GARLK	471747!	63X4646	GARLK	412119!	63X482	GARLK	473210
63X3874	GARLK	471747!	63X4651	GARLK	415035!	63X4825	GARLK	417254*
63X3876	GARLK	473425	63X4651	GARLK	415035	63X4828	GARLK	416865!*
63X3879	GARLK	472536	63X4652	GARLK	416239!*	63X4832	GARLK	415303!*
63X388	GARLK	471765!	63X4654	GARLK	417172*	63X4836	GARLK	417247!*
63X3880	GARLK	471344*	63X4659	GARLK	473244	63X4837	GARLK	415196!*
63X3883	GARLK	473442!*	63X4662	GARLK	470506!	63X4838	GARLK	413469!*
63X3885	GARLK	470088*	63X4665	GARLK	472636!	63X4838F1	GARLK	413469!
63X3887	GARLK	471841	63X4667	GARLK	55548*	63X484	GARLK	450129
63X3889	GARLK	450965*	63X4668	GARLK	417541*	63X484	GARLK	472826!
63X389	GARLK	471354!*	63X4669	GARLK	416892!*	63X4842	GARLK	471472!
63X39	GARLK	474277	63X4670	GARLK	472924!	63X4844	GARLK	415001!
63X390	GARLK	471354!	63X4671	GARLK	471504!	63X4847	GARLK	471539!
63X3902	GARLK	455080*	63X4672	GARLK	472164!	63X485	GARLK	450129
63X3904	GARLK	472234*	63X4677	GARLK	472560N!	63X485	GARLK	472826!
63X394	GARLK	473205	63X4681	GARLK	415124*	63X4854	GARLK	415035
63X3949	GARLK	455966	63X4682	GARLK	417351!	63X4855	GARLK	481537*
63X397	GARLK	474255	63X4686	GARLK	417344!	63X4861	GARLK	473226*
63X398	GARLK	474255	63X4687	GARLK	472184=	63X4862	GARLK	471870!
63X399	GARLK	474255	63X4688	GARLK	415645!	63X4865	GARLK	417254*
63X40	GARLK	474277	63X4688	GARLK	455104	63X487	GARLK	473421*
63X403	GARLK	450048*	63X4691	GARLK	473475*	63X4871	GARLK	470954!*
63X405	GARLK	450173*	63X4693	GARLK	472144!*	63X4872	GARLK	417597*
63X424	GARLK	471750!	63X4695	GARLK	416229*	63X4873	GARLK	416888!
63X425	GARLK	471750!	63X4704	GARLK	471785!	63X4874	GARLK	55392*=
63X426	GARLK	471750!	63X4710	GARLK	455026*	63X4876	GARLK	455406!*
63X427	GARLK	471766!	63X4712	GARLK	456105*	63X4878	GARLK	417602!*
63X428	GARLK	471766!	63X4717	GARLK	455019!*	63X4882	GARLK	417262!
63X43	GARLK	320457*	63X4718	GARLK	473212!*	63X4883	GARLK	417269!
63X430	GARLK	471787!	63X4720	GARLK	416107!	63X4891	GARLK	471862*
63X431	GARLK	471787!	63X4720	GARLK	455073	63X4897	GARLK	415025*
63X433	GARLK	450177*	63X4723	GARLK	417134	63X4899	GARLK	455536*
63X436	GARLK	471795	63X4727	GARLK	416865!*	63X49	GARLK	471442!
63X437	GARLK	471795	63X4729	GARLK	457874	63X490	GARLK	473211!*
63X438	GARLK	471795	63X4732	GARLK	417196!*	63X4900	GARLK	471391!*
63X439	GARLK	450165	63X4734	GARLK	415082*	63X4902	GARLK	417269!
63X439	GARLK	471801!*	63X4735	GARLK	411376!	63X4904	GARLK	416556!
63X44	GARLK	320457	63X4735F1	GARLK	411376!	63X4904	GARLK	472157
63X440	GARLK	450165	63X4736	GARLK	55028*	63X4907	GARLK	50026*
63X440	GARLK	471801!	63X4738	GARLK	417621!	63X4908F1	GARLK	471529
63X441	GARLK	450165	63X4740	GARLK	414045!*	63X491	GARLK	473211!
63X441	GARLK	471801!	63X4745	GARLK	415991	63X4912	GARLK	415150!*
63X442	GARLK	471808!*	63X4745	GARLK	455146!	63X4914	GARLK	416271!*
63X443	GARLK	471808!*	63X4752	GARLK	417512*	63X4916	GARLK	470898
63X444	GARLK	471808!	63X4754	GARLK	471554!	63X492	GARLK	473211!*
63X445	GARLK	471818*	63X4766	GARLK	473232!	63X4924	GARLK	417597*
63X446	GARLK	471818*	63X4768	GARLK	415482*	63X4925	GARLK	417606*
63X447	GARLK	471818*	63X4768	GARLK	415482*	63X4928	GARLK	416154!*
63X448	GARLK	470050*	63X4771	GARLK	416892!*	63X4929	GARLK	455462*
63X4483	GARLK	415442!	63X4772	GARLK	416345!	63X493	GARLK	473212!*
63X4483	GARLK	55442	63X4772	GARLK	455033	63X4934	GARLK	415066*
63X4484	GARLK	455396*	63X4774	GARLK	550785*	63X4938	GARLK	412920!
63X45	GARLK	470004!	63X4775	GARLK	417526*	63X4938F1	GARLK	412920!
63X451	GARLK	473424!*	63X4780	GARLK	416892!*	63X494	GARLK	473212!*
63X454	GARLK	450124=	63X4781	GARLK	471549!	63X4945	GARLK	416738!
63X4560	GARLK	415294!	63X4783	GARLK	417541*	63X4945	GARLK	450096
63X4579	GARLK	470088	63X4784	GARLK	415072*	63X495	GARLK	473212!*
63X4580	GARLK	415023	63X4785	GARLK	415124*	63X4958	GARLK	411394!
63X4584	GARLK	473197	63X4787	GARLK	476470	63X4959	GARLK	416268
63X4586	GARLK	471570!	63X4788	GARLK	415066*	63X496	GARLK	473213!
63X4589	GARLK	450400*	63X4789	GARLK	415327*	63X4965	GARLK	451031=
63X4590	GARLK	472164!	63X4790	GARLK	416288!*	63X4966	GARLK	417247!*
63X4592	GARLK	470898	63X4792	GARLK	471354!*	63X4967	GARLK	417549!*
63X4593	GARLK	411330!*	63X4800	GARLK	417020*	63X4968	GARLK	416144*
63X46	GARLK	470004!	63X4801	GARLK	415227!*	63X497	GARLK	473213!

! Industrial Size/Type * Minor Width Difference = Call 1-800-480-1212 for price and delivery.

NUMERICAL

Zero Duplication or Recommended		Zero Duplication or Recommended		Zero Duplication or Recommended		Zero Duplication or Recommended	
Mfr. No.	Name	Mfr. No.	Name	Mfr. No.	Name	Mfr. No.	Name
63X550	GARLK	63X6099	GARLK	63X6456	GARLK	63X6563	GARLK
63X550	GARLK	63X61	GARLK	63X6457	GARLK	63X6564	GARLK
63X5501	GARLK	63X610	GARLK	63X6457	GARLK	63X6565	GARLK
63X551	GARLK	63X612	GARLK	63X6459F1	GARLK	63X6565	GARLK
63X551	GARLK	63X6127	GARLK	63X646	GARLK	63X6568	GARLK
63X552	GARLK	63X613	GARLK	63X646	GARLK	63X6568	GARLK
63X552	GARLK	63X6141F1	GARLK	63X6461	GARLK	63X657	GARLK
63X556	GARLK	63X615	GARLK	63X6462	GARLK	63X6573	GARLK
63X5560	GARLK	63X619	GARLK	63X6465	GARLK	63X6576	GARLK
63X557	GARLK	63X6192	GARLK	63X6465R1	GARLK	63X6578	GARLK
63X5581	GARLK	63X621	GARLK	63X6466	GARLK	63X658	GARLK
63X559	GARLK	63X622	GARLK	63X6467	GARLK	63X6580	GARLK
63X56	GARLK	63X6224	GARLK	63X6468	GARLK	63X6581	GARLK
63X5656	GARLK	63X6230	GARLK	63X6469	GARLK	63X6584	GARLK
63X5657F1	GARLK	63X6231	GARLK	63X6469R1	GARLK	63X6585	GARLK
63X566	GARLK	63X624	GARLK	63X647	GARLK	63X6586	GARLK
63X5688	GARLK	63X6245	GARLK	63X647	GARLK	63X6588	GARLK
63X5704	GARLK	63X6252	GARLK	63X6470	GARLK	63X6588R1	GARLK
63X5713	GARLK	63X6266	GARLK	63X6470F1	GARLK	63X659	GARLK
63X574	GARLK	63X6271	GARLK	63X6471	GARLK	63X6590	GARLK
63X5886	GARLK	63X6272	GARLK	63X6474	GARLK	63X6592	GARLK
63X5887	GARLK	63X6289	GARLK	63X6475	GARLK	63X6592	GARLK
63X5892	GARLK	63X6300	GARLK	63X6478	GARLK	63X6593	GARLK
63X5893	GARLK	63X6328	GARLK	63X6479	GARLK	63X6599	GARLK
63X5897	GARLK	63X6333	GARLK	63X6479R1	GARLK	63X6600	GARLK
63X5900	GARLK	63X6335	GARLK	63X648	GARLK	63X6600	GARLK
63X5906	GARLK	63X6340	GARLK	63X6484	GARLK	63X6602	GARLK
63X5907	GARLK	63X6353	GARLK	63X6487	GARLK	63X6603	GARLK
63X5912	GARLK	63X6356	GARLK	63X6489	GARLK	63X6604	GARLK
63X5913	GARLK	63X6358	GARLK	63X649	GARLK	63X6605	GARLK
63X5914	GARLK	63X6358	GARLK	63X6497	GARLK	63X6608	GARLK
63X592	GARLK	63X6359	GARLK	63X6499	GARLK	63X661	GARLK
63X5920	GARLK	63X6360	GARLK	63X650	GARLK	63X6610	GARLK
63X5922	GARLK	63X6360	GARLK	63X6500	GARLK	63X6616	GARLK
63X5925	GARLK	63X6361	GARLK	63X6502	GARLK	63X6630	GARLK
63X5929	GARLK	63X6363	GARLK	63X6506	GARLK	63X6632	GARLK
63X593	GARLK	63X6365	GARLK	63X6506F1	GARLK	63X6634	GARLK
63X5930	GARLK	63X6366	GARLK	63X6510	GARLK	63X6635	GARLK
63X5933	GARLK	63X6369	GARLK	63X6511	GARLK	63X6637	GARLK
63X5937	GARLK	63X6370	GARLK	63X6511	GARLK	63X6638	GARLK
63X5938	GARLK	63X6374	GARLK	63X6513	GARLK	63X6639	GARLK
63X594	GARLK	63X6375	GARLK	63X6516	GARLK	63X664	GARLK
63X5945	GARLK	63X6378	GARLK	63X6517	GARLK	63X6640	GARLK
63X5947	GARLK	63X6385	GARLK	63X6521	GARLK	63X6644	GARLK
63X5948	GARLK	63X6387	GARLK	63X6522	GARLK	63X6645	GARLK
63X595	GARLK	63X6389	GARLK	63X6522R1	GARLK	63X6645	GARLK
63X5953	GARLK	63X6390	GARLK	63X6523	GARLK	63X6652	GARLK
63X5953	GARLK	63X6391	GARLK	63X6523F1	GARLK	63X6654	GARLK
63X5957	GARLK	63X6395	GARLK	63X6524F1	GARLK	63X6658	GARLK
63X5959	GARLK	63X6411	GARLK	63X6528	GARLK	63X666	GARLK
63X596	GARLK	63X6413	GARLK	63X6528	GARLK	63X6664	GARLK
63X5960	GARLK	63X6414	GARLK	63X6529	GARLK	63X6666	GARLK
63X5966	GARLK	63X6415	GARLK	63X6530	GARLK	63X6666R1	GARLK
63X5968	GARLK	63X6418	GARLK	63X6534	GARLK	63X6667	GARLK
63X5969	GARLK	63X6422	GARLK	63X6534	GARLK	63X6667	GARLK
63X597	GARLK	63X643	GARLK	63X6541	GARLK	63X6667R1	GARLK
63X5978	GARLK	63X6430	GARLK	63X6545	GARLK	63X6668	GARLK
63X5980	GARLK	63X6431	GARLK	63X6546	GARLK	63X6670	GARLK
63X5981	GARLK	63X6433	GARLK	63X6547	GARLK	63X6674	GARLK
63X5983	GARLK	63X6434	GARLK	63X6548	GARLK	63X6675	GARLK
63X599	GARLK	63X6434	GARLK	63X6549	GARLK	63X6675R1	GARLK
63X6	GARLK	63X6437	GARLK	63X655	GARLK	63X6678	GARLK
63X60	GARLK	63X6438R1	GARLK	63X6550	GARLK	63X6679	GARLK
63X600	GARLK	63X6439	GARLK	63X6551	GARLK	63X668	GARLK
63X601	GARLK	63X644	GARLK	63X6551R1	GARLK	63X6680	GARLK
63X602	GARLK	63X6444	GARLK	63X6556	GARLK	63X6680F1	GARLK
63X6028F1	GARLK	63X6446	GARLK	63X656	GARLK	63X6682	GARLK
63X603	GARLK	63X6448	GARLK	63X6560	GARLK	63X6687	GARLK
63X6062	GARLK	63X645	GARLK				
63X607	GARLK	63X645	GARLK				
63X608	GARLK	63X6450	GARLK				
63X609	GARLK	63X6451	GARLK				

! Industrial Size/Type * Minor Width Difference = Call 1-800-480-1212 for price and delivery.

Zero Duplication or Recommended		Zero Duplication or Recommended		Zero Duplication or Recommended		Zero Duplication or Recommended		
Mfr. No.	Name	Mfr. No.	Name	Mfr. No.	Name	Mfr. No.	Name	
63X669	GARLK	474281!	63X6860	GARLK	473010	63X7069	GARLK	470774!
63X6692	GARLK	417355!*	63X6860R1	GARLK	473010!	63X707	GARLK	471821!
63X67	GARLK	471281!	63X6860T2	GARLK	473010!	63X7072	GARLK	474264
63X670	GARLK	470625!	63X6864	GARLK	417073*	63X708	GARLK	471821!
63X6700	GARLK	415302*	63X6865	GARLK	417481*	63X7081	GARLK	473237!*
63X6700F1	GARLK	415302	63X6866	GARLK	412871!	63X7090	GARLK	471271!
63X6701	GARLK	473214	63X6868	GARLK	417351!	63X7091	GARLK	415082*
63X6705	GARLK	471821!	63X6870	GARLK	455134!*	63X7099	GARLK	472924!
63X6706	GARLK	473464!	63X6871	GARLK	417515*	63X7099F1	GARLK	472924!*
63X6706	GARLK	473464	63X6872	GARLK	417362!*	63X71	GARLK	471551!
63X6707	GARLK	417554!*	63X6888	GARLK	417584*	63X7101	GARLK	417604
63X6708	GARLK	476470	63X6892	GARLK	416239!	63X7104	GARLK	415458!
63X6711	GARLK	415725!*	63X6893	GARLK	416865!*	63X7110	GARLK	416888!
63X6713	GARLK	417601*	63X6895	GARLK	455406!*	63X7114	GARLK	415551*
63X6714	GARLK	415988*	63X6896	GARLK	481073*	63X7115	GARLK	415991
63X6716	GARLK	416664!	63X6898	GARLK	470565!*	63X7115	GARLK	455146!
63X6722	GARLK	417601*	63X6898R1	GARLK	470565!	63X712	GARLK	473229
63X6723	GARLK	417488!*	63X6899	GARLK	473229	63X7120	GARLK	417366!*
63X6730	GARLK	417344!	63X69	GARLK	471535!*	63X7121	GARLK	473437*
63X6730R1	GARLK	417344!	63X6900	GARLK	417316!	63X7125	GARLK	473231
63X6732	GARLK	471760*	63X6901	GARLK	416332!	63X7126	GARLK	470596*
63X6733	GARLK	330385!	63X6904	GARLK	472397!	63X7128	GARLK	416666*
63X6734	GARLK	416154!*	63X6904F1	GARLK	472397!	63X713	GARLK	473229
63X6739	GARLK	417621!	63X6907	GARLK	415027*	63X7130	GARLK	471316
63X6741	GARLK	417254*	63X6914	GARLK	416476!	63X7134	GARLK	416154!*
63X6741F1	GARLK	417254	63X6917	GARLK	417525*	63X7137	GARLK	470059
63X6744F1	GARLK	471981	63X6920	GARLK	415294!	63X7137	GARLK	470380!
63X6745	GARLK	471766!	63X6921	GARLK	455462*	63X714	GARLK	473229
63X6745R1	GARLK	471766!	63X6923	GARLK	415711*	63X7140	GARLK	472029*
63X6746	GARLK	415683*	63X6924	GARLK	416666*	63X7141	GARLK	416556!
63X6749	GARLK	471255!	63X6927	GARLK	471554!	63X7141	GARLK	472157
63X6750	GARLK	415645!	63X6927F1	GARLK	471554!	63X7145	GARLK	472012*
63X6750	GARLK	455104	63X6931	GARLK	55441!*	63X7145F1	GARLK	472012
63X6753	GARLK	474265	63X6934	GARLK	473235!*	63X7146	GARLK	350435*
63X6755F1	GARLK	471224!	63X6937	GARLK	470625!	63X715	GARLK	470682*
63X6757	GARLK	411376!	63X6937R1	GARLK	470625!	63X7152	GARLK	473367!
63X6760	GARLK	417603!*	63X6938	GARLK	417269!	63X7152	GARLK	473367
63X6762	GARLK	417134*	63X6939	GARLK	417541*	63X7152F1	GARLK	473367
63X6764	GARLK	455015*	63X6946	GARLK	417539!*	63X7153	GARLK	417350!
63X6765	GARLK	417278*	63X6947	GARLK	416364!*	63X7154	GARLK	415036*
63X6767	GARLK	415035	63X6949	GARLK	415138!*	63X7155	GARLK	415072*
63X6768	GARLK	417020	63X6950	GARLK	450869*	63X7159	GARLK	455005*
63X6770	GARLK	417604	63X6952	GARLK	417362!*	63X7160	GARLK	472016*
63X6773	GARLK	415551*	63X6955	GARLK	471141!	63X7162	GARLK	415351!*
63X6774	GARLK	473214	63X6957	GARLK	470354*	63X7164	GARLK	473455!
63X6774R1	GARLK	473214!	63X6959	GARLK	455476*	63X7165	GARLK	416891!*
63X6794	GARLK	473367!	63X6961	GARLK	474264	63X717	GARLK	470682
63X6794	GARLK	473367	63X6966	GARLK	455655!*	63X7174	GARLK	472018*
63X6795	GARLK	471341!	63X6968	GARLK	415021*	63X7176	GARLK	471192
63X6796	GARLK	417362!*	63X6971	GARLK	471558*	63X7177	GARLK	416706!
63X6797	GARLK	455330!*	63X6975	GARLK	9568*	63X7178	GARLK	55199!*
63X6798	GARLK	415559*	63X6978	GARLK	415196!*	63X718	GARLK	471316
63X6799	GARLK	415035	63X6981	GARLK	455194*	63X7186	GARLK	471760*
63X68	GARLK	471281!	63X6982	GARLK	416345!	63X7187	GARLK	415483!
63X6800	GARLK	417082*	63X6982	GARLK	455033	63X7192	GARLK	415379
63X6802	GARLK	455480!*	63X6984	GARLK	471564*	63X7192	GARLK	415379!
63X6806	GARLK	416339	63X6990	GARLK	415035	63X7194	GARLK	412473!
63X6806	GARLK	455031!	63X6991	GARLK	416125!*	63X7195	GARLK	480630!
63X6832	GARLK	472179	63X6992	GARLK	476838!	63X7196	GARLK	415960
63X6832R1	GARLK	472179	63X6993	GARLK	471765!	63X7197	GARLK	415995!
63X6833	GARLK	417606*	63X6993F1	GARLK	471765!	63X7197T2	GARLK	415995!
63X6835	GARLK	417509*	63X6995	GARLK	471138!*	63X7197T2	GARLK	415995!
63X6838	GARLK	9568*	63X70	GARLK	471535!	63X7198	GARLK	482089=
63X6839	GARLK	476470*	63X700	GARLK	472213	63X7199	GARLK	417487
63X6840	GARLK	417506*	63X7007	GARLK	472810!	63X72	GARLK	471551!
63X6842	GARLK	417020*	63X701	GARLK	472213	63X7205	GARLK	416153!
63X6844	GARLK	455397*	63X702	GARLK	472213	63X7206	GARLK	415711*
63X6847	GARLK	417526*	63X703	GARLK	472299*	63X721	GARLK	473441*
63X6853	GARLK	472394*	63X7039	GARLK	471539!	63X7210	GARLK	455151*
63X6856	GARLK	471255!	63X704	GARLK	472299*	63X7215R1	GARLK	471689!
63X6857	GARLK	471692!	63X706	GARLK	471821!	63X7220	GARLK	455191*
63X6858	GARLK	55141*	63X7060	GARLK	474256	63X7221	GARLK	416313*
63X7223	GARLK	472319*				63X7224	GARLK	415001!
63X7224	GARLK	415001!				63X7226	GARLK	474264
63X7226	GARLK	474264				63X7229	GARLK	455189*
63X7229	GARLK	455189*				63X723	GARLK	473441
63X723	GARLK	473441				63X7230	GARLK	415437
63X7230	GARLK	415437				63X7230	GARLK	415437!
63X7230	GARLK	415437!				63X7231	GARLK	417354!*
63X7231	GARLK	417354!*				63X7233	GARLK	415551*
63X7233	GARLK	415551*				63X7238	GARLK	450104*
63X7238	GARLK	450104*				63X724	GARLK	450273
63X724	GARLK	450273				63X7241	GARLK	455406!*
63X7241	GARLK	455406!*				63X7245	GARLK	415371*
63X7245	GARLK	415371*				63X7247	GARLK	417562*
63X7247	GARLK	417562*				63X7248	GARLK	473459
63X7248	GARLK	473459				63X7249	GARLK	415960
63X7249	GARLK	415960				63X7253	GARLK	415027!
63X7253	GARLK	415027!				63X7253	GARLK	415027
63X7253	GARLK	415027				63X7254	GARLK	473234
63X7254	GARLK	473234				63X7254F1	GARLK	473234!
63X7254F1	GARLK	473234!				63X7255	GARLK	417351!
63X7255	GARLK	417351!				63X7258	GARLK	416892!*
63X7258	GARLK	416892!*				63X7259	GARLK	450133*
63X7259	GARLK	450133*				63X7262	GARLK	474274
63X7262	GARLK	474274				63X7264	GARLK	473446*
63X7264	GARLK	473446*				63X7265	GARLK	417362!*
63X7265	GARLK	417362!*				63X7269	GARLK	415437
63X7269	GARLK	415437				63X7269	GARLK	415437!
63X7269	GARLK	415437!				63X7270	GARLK	417181!*
63X7270	GARLK	417181!*				63X7272	GARLK	472492!
63X7272	GARLK	472492!				63X7276	GARLK	416077*
63X7276	GARLK	416077*				63X7277	GARLK	417474
63X7277	GARLK	417474				63X7280	GARLK	471821!
63X7280	GARLK	471821!				63X7282	GARLK	416339
63X7282	GARLK	416339				63X7282	GARLK	455031!
63X7282	GARLK	455031!				63X7284	GARLK	417539!*
63X7284	GARLK	417539!*				63X7285	GARLK	411245!
63X7285	GARLK	411245!				63X7289	GARLK	417191
63X7289	GARLK	417191				63X7289	GARLK	456585
63X7289	GARLK	456585				63X7291	GARLK	416891!*
63X7291	GARLK	416891!*				63X7292	GARLK	417316!
63X7292	GARLK	417316!				63X7299	GARLK	471529*
63X7299	GARLK	471529*				63X7307	GARLK	472164!
63X7307	GARLK	472164!				63X7313	GARLK	418028
63X7313	GARLK	418028				63X7313	GARLK	455137!
63X7313	GARLK	455137!				63X7314	GARLK	55199!*
63X7314	GARLK	55199!*				63X7317	GARLK	417562*
63X7317	GARLK	417562*				63X7318	GARLK	455406!*
63X7318	GARLK	455406!*				63X7320	GARLK	471424!*
63X7320	GARLK	471424!*				63X7324	GARLK	415027*
63X7324	GARLK	415027*				63X7327	GARLK	471887*
63X7327	GARLK	471887*				63X7328	GARLK	415995!
63X7328	GARLK	415995!				63X7328F1	GARLK	415995!
63X7328F1	GARLK	415995!				63X733	GARLK	450065*
63X733	GARLK	450065*				63X7332	GARLK	415027*
63X7332	GARLK	415027*				63X7334	GARLK	455144*
63X7334	GARLK	455144*				63X734	GARLK	450065
63X734	GARLK	450065				63X7341F1	GARLK	472475
63X7341F1	GARLK	472475				63X7342	GARLK	415645!
63X7342	GARLK	415645!				63X7342	GARLK	455104
63X7342	GARLK	455104				63X7346	GARLK	451948*
63X7346	GARLK	451948*				63X7347	GARLK	415027
63X7347	GARLK	415027				63X7347	GARLK	415027!
63X7347	GARLK	415027!				63X7348	GARLK	417535*
63X7348	GARLK	417535*				63X7349	GARLK	475384*
63X7349	GARLK	475384*				63X7350	GARLK	415991
63X7350	GARLK	415991				63X7350	GARLK	455146!
63X7350	GARLK	455146!				63X7353	GARLK	417601*
63X7353	GARLK</							

Zero Duplication or Recommended		Zero Duplication or Recommended		Zero Duplication or Recommended		Zero Duplication or Recommended	
Mfr. No.	Name	Mfr. No.	Name	Mfr. No.	Name	Mfr. No.	Name
63X7368	GARLK	63X7615	GARLK	63X7795	GARLK	63X8156	GARLK
63X7370F1	GARLK	63X7615	GARLK	63X7796	GARLK	63X8161	GARLK
63X7371	GARLK	63X7616	GARLK	63X78	GARLK	63X8165	GARLK
63X7372	GARLK	63X762	GARLK	63X780	GARLK	63X8169	GARLK
63X7372F1	GARLK	63X7626	GARLK	63X7803	GARLK	63X8173	GARLK
63X7374	GARLK	63X7629	GARLK	63X781	GARLK	63X8187	GARLK
63X7375	GARLK	63X763	GARLK	63X7812	GARLK	63X8187R1	GARLK
63X7382	GARLK	63X763	GARLK	63X7812	GARLK	63X8188	GARLK
63X7386	GARLK	63X7633	GARLK	63X7814	GARLK	63X8192	GARLK
63X7389	GARLK	63X7633F1	GARLK	63X7819	GARLK	63X82	GARLK
63X7389	GARLK	63X764	GARLK	63X782	GARLK	63X820	GARLK
63X739	GARLK	63X764	GARLK	63X7824	GARLK	63X8205	GARLK
63X7390	GARLK	63X7642	GARLK	63X7825	GARLK	63X8208	GARLK
63X7390F1	GARLK	63X7646	GARLK	63X7829	GARLK	63X8213	GARLK
63X7391	GARLK	63X7649	GARLK	63X7829F1	GARLK	63X8214	GARLK
63X7402	GARLK	63X765	GARLK	63X783	GARLK	63X8222	GARLK
63X7402	GARLK	63X765	GARLK	63X7831	GARLK	63X8224	GARLK
63X7409	GARLK	63X7652	GARLK	63X7837	GARLK	63X8231	GARLK
63X7409	GARLK	63X7653	GARLK	63X7839	GARLK	63X8231	GARLK
63X7418	GARLK	63X7659	GARLK	63X7840	GARLK	63X8233	GARLK
63X7419	GARLK	63X7661	GARLK	63X7842	GARLK	63X8238	GARLK
63X742	GARLK	63X7668	GARLK	63X7846	GARLK	63X8243	GARLK
63X7420	GARLK	63X7669	GARLK	63X7861	GARLK	63X8245	GARLK
63X7423	GARLK	63X7670	GARLK	63X7864	GARLK	63X8248	GARLK
63X7433	GARLK	63X7671	GARLK	63X787	GARLK	63X8248	GARLK
63X7435	GARLK	63X7675	GARLK	63X7873	GARLK	63X8251	GARLK
63X7436	GARLK	63X7677	GARLK	63X7877	GARLK	63X8252	GARLK
63X7439	GARLK	63X7684	GARLK	63X7879	GARLK	63X826	GARLK
63X744	GARLK	63X7685	GARLK	63X788	GARLK	63X8262	GARLK
63X7440	GARLK	63X7686	GARLK	63X7880	GARLK	63X8265	GARLK
63X7440	GARLK	63X7687	GARLK	63X7880	GARLK	63X8266	GARLK
63X7447	GARLK	63X7689	GARLK	63X789	GARLK	63X8267	GARLK
63X7447	GARLK	63X769	GARLK	63X79	GARLK	63X827	GARLK
63X7448	GARLK	63X7690	GARLK	63X790	GARLK	63X8270	GARLK
63X751	GARLK	63X7695	GARLK	63X7907	GARLK	63X8272	GARLK
63X7510	GARLK	63X77	GARLK	63X7907	GARLK	63X8274	GARLK
63X7516	GARLK	63X7700	GARLK	63X7909	GARLK	63X8275	GARLK
63X7518	GARLK	63X771	GARLK	63X7915	GARLK	63X8275	GARLK
63X7523	GARLK	63X7717	GARLK	63X792	GARLK	63X8278	GARLK
63X7542	GARLK	63X772	GARLK	63X7922	GARLK	63X828	GARLK
63X7542F1	GARLK	63X7722	GARLK	63X793	GARLK	63X8280	GARLK
63X7544	GARLK	63X7722	GARLK	63X793	GARLK	63X8280	GARLK
63X7544	GARLK	63X7723	GARLK	63X7934	GARLK	63X8284	GARLK
63X7549	GARLK	63X774	GARLK	63X7937	GARLK	63X829	GARLK
63X7551	GARLK	63X7745	GARLK	63X7941	GARLK	63X8292	GARLK
63X7551	GARLK	63X7746	GARLK	63X799	GARLK	63X8293	GARLK
63X7554	GARLK	63X7747	GARLK	63X7993	GARLK	63X8300	GARLK
63X7555	GARLK	63X7749	GARLK	63X80	GARLK	63X8306	GARLK
63X7555F1	GARLK	63X775	GARLK	63X805	GARLK	63X8306	GARLK
63X7559	GARLK	63X7752	GARLK	63X8063	GARLK	63X8309	GARLK
63X7559	GARLK	63X7758	GARLK	63X8067	GARLK	63X8310	GARLK
63X7560	GARLK	63X7759	GARLK	63X8074	GARLK	63X8311	GARLK
63X7561	GARLK	63X7764	GARLK	63X808	GARLK	63X8311	GARLK
63X7562	GARLK	63X7765	GARLK	63X8081	GARLK	63X8312F1	GARLK
63X7563	GARLK	63X7765	GARLK	63X81	GARLK	63X8314	GARLK
63X7564	GARLK	63X7767	GARLK	63X810	GARLK	63X8328	GARLK
63X7566	GARLK	63X7768	GARLK	63X8102	GARLK	63X8330	GARLK
63X7567F1	GARLK	63X777	GARLK	63X8104	GARLK	63X8331	GARLK
63X7568	GARLK	63X7772	GARLK	63X8111	GARLK	63X8342	GARLK
63X7568F1	GARLK	63X7774	GARLK	63X8112	GARLK	63X835	GARLK
63X7572	GARLK	63X7775	GARLK	63X8117	GARLK	63X835	GARLK
63X7574	GARLK	63X7776	GARLK	63X8120	GARLK	63X8353	GARLK
63X7578	GARLK	63X7776F1	GARLK	63X8127	GARLK	63X836	GARLK
63X7590	GARLK	63X778	GARLK	63X8128	GARLK	63X837	GARLK
63X7590	GARLK	63X7780	GARLK	63X8129	GARLK	63X838	GARLK
63X7594	GARLK	63X7783	GARLK	63X8131	GARLK	63X8384	GARLK
63X760	GARLK	63X7784	GARLK	63X8135	GARLK	63X8396	GARLK
63X7603	GARLK	63X7785	GARLK	63X8140	GARLK	63X840	GARLK
63X761	GARLK	63X7786	GARLK	63X8151	GARLK	63X8400	GARLK
63X7610	GARLK	63X7787	GARLK	63X8151	GARLK	63X8401	GARLK
63X7611	GARLK	63X7791	GARLK	63X8153	GARLK	63X8404	GARLK
63X7612	GARLK	63X7791	GARLK	63X8154	GARLK	63X8409	GARLK

! Industrial Size/Type * Minor Width Difference = Call 1-800-480-1212 for price and delivery.

Zero Duplication or Recommended		Zero Duplication or Recommended		Zero Duplication or Recommended		Zero Duplication or Recommended	
Mfr. No.	Name	Mfr. No.	Name	Mfr. No.	Name	Mfr. No.	Name
63X841	GARLK	63X8680	GARLK	63X8904	GARLK	63X9943F1	GARLK
63X8410	GARLK	63X8681	GARLK	63X8907	GARLK	64 AU-WS	
63X8416	GARLK	63X8682	GARLK	63X8912	GARLK	64 B-L-H	
63X8417	GARLK	63X8683	GARLK	63X8917	GARLK	6400 C-R	
63X8419	GARLK	63X8687	GARLK	63X895	GARLK	64001 VIC	
63X842	GARLK	63X8696	GARLK	63X898	GARLK	640087 CONTI	
63X8423	GARLK	63X8697	GARLK	63X899	GARLK	64010 VIC	
63X843	GARLK	63X8698	GARLK	63X900	GARLK	64021 VIC	
63X8430	GARLK	63X87	GARLK	63X9009	GARLK	64022 VIC	
63X8437	GARLK	63X8700	GARLK	63X9013	GARLK	640230 CATER	
63X844	GARLK	63X8700	GARLK	63X904	GARLK	640230 GERL	
63X8442	GARLK	63X8704	GARLK	63X905	GARLK	64024 VIC	
63X8443	GARLK	63X8705	GARLK	63X906	GARLK	64029 VIC	
63X845	GARLK	63X8708	GARLK	63X907	GARLK	6403 C-R	
63X846	GARLK	63X871	GARLK	63X909	GARLK	6403 C-R	
63X8460	GARLK	63X8712	GARLK	63X9093F1	GARLK	64030 VIC	
63X8462	GARLK	63X8712	GARLK	63X90X10	FORSH	640335 WILYS	
63X8466	GARLK	63X8724	GARLK	63X90X10	SIMRT	640335 WILYS	
63X8469	GARLK	63X8726	GARLK	63X90X10SC	TRSCM	640345 WILYS	
63X8470	GARLK	63X8728	GARLK	63X90X10TC	TRSCM	64035 VIC	
63X8471	GARLK	63X8731	GARLK	63X91	GARLK	64038 VIC	
63X8477	GARLK	63X8731	GARLK	63X910	GARLK	640383 WILYS	
63X8488	GARLK	63X8732	GARLK	63X911	GARLK	6404 C-R	
63X8494	GARLK	63X8734	GARLK	63X912	GARLK	64042 VIC	
63X8498	GARLK	63X8736	GARLK	63X913	GARLK	64045 VIC	
63X8521	GARLK	63X8738	GARLK	63X914	GARLK	640454 WHITE	
63X8529	GARLK	63X874	GARLK	63X915	GARLK	640454D5 DIA	
63X853	GARLK	63X8744	GARLK	63X916	GARLK	64046 VIC	
63X854	GARLK	63X8744	GARLK	63X918	GARLK	640463 WILYS	
63X855	GARLK	63X8745	GARLK	63X919	GARLK	64047 VIC	
63X8551	GARLK	63X8747	GARLK	63X919	GARLK	640478 CATER	
63X8556	GARLK	63X8752	GARLK	63X92	GARLK	640479 CATER	
63X8560	GARLK	63X8755	GARLK	63X921	GARLK	64048 VIC	
63X8566	GARLK	63X8756	GARLK	63X922	GARLK	64049 VIC	
63X8569	GARLK	63X8757	GARLK	63X923	GARLK	6405 C-R	
63X8570	GARLK	63X8758	GARLK	63X9234F1	GARLK	64050 VIC	
63X8571	GARLK	63X8775	GARLK	63X924	GARLK	64051 VIC	
63X8572	GARLK	63X8778	GARLK	63X925	GARLK	64054 VIC	
63X8573	GARLK	63X8780	GARLK	63X925	GARLK	640545 AMC	
63X8579	GARLK	63X8787	GARLK	63X927	GARLK	640545 WILYS	
63X8585	GARLK	63X8790	GARLK	63X928	GARLK	64055 VIC	
63X859	GARLK	63X8797	GARLK	63X93	GARLK	640555 WILYS	
63X8591	GARLK	63X88	GARLK	63X930	GARLK	640561 WILYS	
63X8592	GARLK	63X8819	GARLK	63X931	GARLK	64059 VIC	
63X8596	GARLK	63X8824	GARLK	63X933	GARLK	6406 C-R	
63X85X10	SIMRT	63X8825	GARLK	63X9345	GARLK	64061 VIC	
63X85X10SC	TRSCM	63X8828	GARLK	63X94	GARLK	64062 VIC	
63X85X10TC	TRSCM	63X8830	GARLK	63X940	GARLK	64063 VIC	
63X8608	GARLK	63X8833	GARLK	63X943	GARLK	64064 VIC	
63X861	GARLK	63X8836	GARLK	63X946	GARLK	64066 VIC	
63X862	GARLK	63X8845	GARLK	63X9481	GARLK	64066 VIC	
63X8628	GARLK	63X8846	GARLK	63X949	GARLK	64068 Denco	
63X8629	GARLK	63X8847	GARLK	63X95	GARLK	64068 VIC	
63X8631	GARLK	63X8848	GARLK	63X9501	GARLK	6407 C-R	
63X8633	GARLK	63X8856	GARLK	63X951	GARLK	64075 VIC	
63X8635	GARLK	63X886	GARLK	63X9515	GARLK	64076 VIC	
63X8636	GARLK	63X8864	GARLK	63X958	GARLK	64077 VIC	
63X8638	GARLK	63X8864	GARLK	63X96	GARLK	640777 BENDI	
63X8640	GARLK	63X8868	GARLK	63X961	GARLK	640778 BENDI	
63X8643	GARLK	63X887	GARLK	63X9633	GARLK	64079 BENDI	
63X8646	GARLK	63X8870	GARLK	63X964	GARLK	64078 VIC	
63X8652	GARLK	63X8875	GARLK	63X97	GARLK	64078 VIC	
63X8657	GARLK	63X8879	GARLK	63X976	GARLK	6408 C-R	
63X8662	GARLK	63X8881	GARLK	63X978	GARLK	6408 C-R	
63X8663	GARLK	63X8881	GARLK	63X979	GARLK	64081 VIC	
63X8665	GARLK	63X8886	GARLK	63X98	GARLK	64083 VIC	
63X8668	GARLK	63X8887	GARLK	63X982	GARLK	64084 VIC	
63X8676	GARLK	63X8903	GARLK	63X983F1	GARLK	64085 VIC	
63X8678	GARLK	63X8903	GARLK	63X984	GARLK	64086 VIC	
63X8679	GARLK	63X8904	GARLK	63X987	GARLK	64087 VIC	
				63X988	GARLK	64088 VIC	
				63X991	GARLK	640885 WILYS	
						6408S SPG	

! Industrial Size/Type * Minor Width Difference = Call 1-800-480-1212 for price and delivery.

NUMERICAL

Zero Duplication or Recommended Industrial			Zero Duplication or Recommended Industrial			Zero Duplication or Recommended Industrial			Zero Duplication or Recommended Industrial		
Mfr. No.	Name		Mfr. No.	Name		Mfr. No.	Name		Mfr. No.	Name	
6409	C-R	16X28X7V	64213	CROWN	200885	64414	VIC	370001A	64562	VIC	473231!
64090	VIC	471413!	64220	TROS	9569S	64415	VIC	370124A	64564	VIC	370046A
64092	VIC	470380!	64221	TROS	51322	6442	C-R	16X35X7!	64566	VIC	370106A
64094	VIC	473228	64222	VIC	471571	644236X1	IH	6703S	64567	VIC	370019A
64095	VIC	473228!	64223D	IH	472157	64424	VIC	471765!	64568	VIC	J1131
640959	VIC	42763	64223D	IH	472157!	644254	WILYS	40286	645681	ALLCH	415725!
64096	VIC	471466!	64225	VIC	370013A	644284	AMC	471766!	6456LA	JN-MN	455026
640977	CATER	6872S	64227	VIC	370012A	644284	WILYS	471766!	64570	VIC	J1138
64098	VIC	471264!	64231	VIC	370029A	64433	VIC	473228!	64571	VIC	416865
640983	CATER	6481=	642311	CHRY5	50490=	64434	VIC	417698	64572	VIC	3095
64099	VIC	473237!	64234	VIC	370008A	64437	VIC	370057A	64572	VIC	3103
641	C-R	5M544	64236	VIC	417247!	64443	VIC	370030A	64573	VIC	3103!
6410	C-R	16X28X7!	64238	VIC	417541	64443	VIC	455861=	64579	VIC	472397!
6410	C-R	221610	6423LPD	JN-MN	415995!	64446	VIC	323138!	6457LA	JN-MN	415259!
64101	AT SU	8705S	6423LUP	JN-MN	415995!	64448	VIC	472354!	6457S	SPG	370002A
64101	VIC	471255!	6424	SPG	472354!	644538	WILYS	340787	64581	VIC	J1137=
64101S	TROS	8705S	64242	VIC	1010=	64454	VIC	471192	64584	VIC	417505
64107	VIC	470530!	64242	VIC	472311!	64456	VIC	370002A	64585	VIC	J1128
64108	VIC	470530!	64245	VIC	471224!	64460	VIC	418028	64589	VIC	417506
64109	VIC	471538!	64246	VIC	455008	64461	VIC	J1401=	645891	WILYS	240385
6411	C-R	16X28X7	64247	VIC	471649!	64462	VIC	473231!	64592	VIC	2669
64116	VIC	415960	6424LA	JN-MN	473419	64464	VIC	370145A	64592	VIC	472475
64117	VIC	415960!	6425	C-R	16X30X7V	64468	VIC	370007A	64595	VIC	9912
64119	VIC	415960	64250	VIC	471689!	64471	VIC	417172	645980	WILYS	5MR1300
6412	C-R	16X28X7!	64258	VIC	471760	644777	BENDI	416288!	646007	CATER	415035
6412	C-R	221610	6426	C-R	16X30X7!	64482	VIC	415958	646007	CATER	415035!
64122	VIC	415269=	6426	C-R	221620	644830	BENDI	471689!	64601	VIC	353141!
64126	VIC	470954!	6426	TIMKE	473228	644831	BENDI	473444	646015	GERL	417596
64129	AM WH	472144!	64261	VIC	471619!	644832	BENDI	450593!	64601S	TROS	472082
64129	VIC	415295	64262	VIC	J1134	64484	VIC	415960!	64602	AM WH	417563
6413278B	HERCU	472924=	642649	BENDI	473367!	644856	CHRY5	470354	64603	VIC	370034A
64133	VIC	324941	642649	BENDI	473367!	64487	AM WH	473214!	646059	CHRY5	472560N!
64135	VIC	471554!	64281	VIC	471765!	64487	VIC	417134	6460LA	JN-MN	417273
641365	WILYS	6465	64284	VIC	471651	64488	AM WH	417343!	6460S	TIMKE	473179
64137	VIC	471567!	64295	VIC	471762!	644881	BENDI	471733	646110M1	MASSE	471316
641383	SPICE	40769S	6430	C-R	16X32X7	64489	VIC	J1120 *=	6461LA	JN-MN	416167!
641383	WILYS	40769S	64314	VIC	472560N!	64491	VIC	370011A	646239	WILYS	6465
64139	VIC	471498	64315	VIC	471652	64494	VIC	474276!	64635	VIC	6703S
6413S	NATL	483054N	64317	VIC	470328	64495	VIC	370033A	64636	VIC	473237!
64140	VIC	471643!	64317	VIC	481213!	64496	VIC	481163!	64638	VIC	472164!
64142	VIC	471684!	64317W	DIA	240151	644K1	WHITE	240151	6464	HYST	417316!
64143	VIC	415867	64320	VIC	470712!	645	C-R	410987	64646	VIC	472179
64144	VIC	473406!	64323	VIC	204020	64500	C-R	165X190X13!	64656	EATON	416654
64147	VIC	342805	64323	VIC	204505!	64501R	TROS	473179	64679	EATON	416271
64148	VIC	39807	64324	VIC	471763	64502	VIC	455336	64680	EATON	712375
64150	VIC	471231!	643247C91	IH	416664=	645058R91	IH	480630!	646851	ALLCH	471466!
64153	HYST	473425	6432LPD	JN-MN	417073*	64507	VIC	J1606	64687D	IH	472397!
64159	VIC	472164!	6432LUP	JN-MN	417073	64511	VIC	370012A	64688D	IH	415995!
64162	VIC	353131	64335	DENCO	415058	64517	VIC	370048A	64697	VIC	473231!
64162	VIC	471231!	64346	HYST	471765!	64517	VIC	380048A	6470	C-R	16X38X7
64165	VIC	415072	64346	VIC	472475	64523	VIC	44052	647217R91	IH	415085!
64173	VIC	470954!	64347	VIC	473426	64529	VIC	450593!	647217R91	IH	456648
64174	VIC	481534	64349	VIC	471765!	64530	VIC	370001A	64730	VIC	417158!
6418	C-R	16X30X7!	6435	C-R	16X32X7	64533	VIC	J1119	647400R91	IH	5976S
6418	C-R	221620	64353	VIC	471354!	64534	VIC	370054A	647468	WILYS	471504
6418SS	JN-MN	471567!	64360S	TROS	7686S	64538	VIC	370132A	6474SS	JN-MN	30X62X7*
64191	VIC	353132	64362	VIC	453510	64539	VIC	370131A	6475	VICK	471442!
64193	VIC	471267!	64368	ALLCH	327303!	64539	VIC	455685	64754	VIC	450073
64195	VIC	712270	64382	VIC	353135	6453LA	JN-MN	450472!	64780	HYST	471765!
64196	VIC	471570!	64382	VIC	474278!	64540	VIC	J1238 *=	64780	VIC	352541
64199	VIC	350877	64385	VIC	471737	64541	VIC	370011A	647829	BENDI	450039
64199	VIC	471633!	643882	CATER	470898	64542	VIC	415371	647830	BENDI	471276
6419SS	JN-MN	473231!	64395	VIC	471795	64546	VIC	370006A	64794	VIC	225230*
6420	C-R	16X30X7	6439SS	JN-MN	17X40X7	6454G	P-C	TCS45472	64794	VIC	52X72X8!
64200	VIC	471646!	6440	C-R	16X35X7	6454LA	JN-MN	416654!	6480	C-R	16X40X7
64202S	TROS	8660S	644023	GERL	415027	6455	C-R	710261	648008A	HARWA	64X80X8!
64203	VIC	204035	644023	GERL	415027!	64550001	DANA	JX1238=	648008X	TIMKE	64X80X8
64203S	TROS	8940S	64402S	TROS	8610	64551	EATON	410737!	648029	CATER	471134
64209	VIC	41461S	64405	VIC	353137	64553	VIC	370021A	648029	TMTR	417134
6421	C-R	16X30X7V!	64405	VIC	473424	64558	VIC	370047A	6481	C-R	16X40X7
6421	C-R	481528	644071	MANT	J1121	64560	VIC	481181!	648149	GMC	412119!
64210	VIC	323133	644119	GERL	472924!	64561	VIC	370046A	6481S	TIMKE	6481S

! Industrial Size/Type * Minor Width Difference = Call 1-800-480-1212 for price and delivery.

Zero Duplication or Recommended		Zero Duplication or Recommended		Zero Duplication or Recommended		Zero Duplication or Recommended					
Mfr. No.	Name	Mfr. No.	Name	Mfr. No.	Name	Mfr. No.	Name				
6482134	DURA	470954!	65-00342	VERA	470487!	65-03137	VERA	1939	6500821	VERA	44X72X10!
64853210	TROS	416107!	65-00409	VERA	1956	65-03228	VERA	1990	6500854	VERA	55X82X12!
64853210	TROS	455073	65-00417	VERA	228010	65-03426	VERA	2016	6500870	VERA	227550
648620	ALLCH	416345!	65-00433	VERA	222242	65-03434	VERA	334111	6500870	VERA	75X100X12!
648620	ALLCH	455033	65-00441	VERA	1165	65-03442	VERA	2003N!	6500888	VERA	1955
6487	HYST	416865!	65-00466	VERA	223535	65-03459	VERA	444116	6500888	VERA	52X65X9!
64895HA	IH	412871!	65-00482	VERA	223014	65-03467	VERA	1985	6500896	VERA	225020
649010A	HARWA	64X90X13	65-00508	VERA	226480	65-03475	VERA	1986	6500896	VERA	50X68X8!
64901S	TROS	8750S	65-00516	VERA	1962	65-03509	VERA	225540	6500904	VERA	224820
649020	CATER	472705!	65-00532	VERA	1195	65-03558	VERA	494123	6500904	VERA	48X62X8!
649266	ALLCH	415995!	65-00565	VERA	32X58X8!	65-03582	VERA	224015	6500946	VERA	1187
649299R1	IH	415697!	65-00615	VERA	1188	65-03616	VERA	415984!	6500946	VERA	47X68X10!
649299R1	IH	455547	65-00631	VERA	494122	65-03673	VERA	223035	6500953	VERA	1012
649352	WILYS	473228	65-00664	VERA	1192	65-03715	VERA	482126	6500953	VERA	1012N
64935D	IH	455005	65-00722	VERA	1974	65-03798	VERA	710060	6500979	VERA	1213N
649406	CATER	416043	65-00839	VERA	471224!	65-03814	VERA	224025	6501 ALOY		5123
649463-1	SPICE	450040	65-00862	VERA	228010	65-03822	VERA	1960	65010 C-R		416229
649463-2	SPICE	473238	65-00920	VERA	1996	65-03830	VERA	474134	6501000	VERA	1181
649463-3	SPICE	413247!	65-01042	VERA	471224!	65-04050	VERA	1987	6501000	VERA	41X56X7!
649463-4	SPICE	415449!	65-01067	VERA	480630!	65-04068	VERA	225220	6501018	VERA	1181
649463-5	SPICE	415379!	65-01083	VERA	472397!	65-04100	VERA	5696	6501018	VERA	41X56X7!
649463-5	SPICE	415379!	65-01091	VERA	1959	65-04142	VERA	5695	6501026	VERA	224015
649463-6	SPICE	471692!	65-01125	VERA	1950	65-04258	VERA	471870!	6501026	VERA	40X52X7!
6494G	P-C	TC545472	65-01133	VERA	224015	65-04266	VERA	1937	6501034	VERA	224015
6494LA	JN-MN	473245!	65-01141	VERA	1176	65-04274	VERA	494117	6501034	VERA	40X52X7!
649574	GMC	481163!	65-01185	VERA	2002	65-04282	VERA	1952	65011 C-R		416229
649591	GMC	417505	65-01216	VERA	470898	65-04290	VERA	413818	6501103	VERA	224560
6495S	NATL	455566	65-01265	VERA	473234!	65-04308	VERA	1949	6501103	VERA	45X68X7!
64992	C-R	415294!	65-01281	VERA	1177	65-04431	VERA	225650	6501109	VERA	224560
64993	C-R	415294!*	65-01315	VERA	1960	6500 NATL		471829	6501109	VERA	45X68X7!
64994	C-R	415294!*	65-01398	VERA	224252	65000 C-R		415294!	6501117	VERA	1180
64995	C-R	415294!*	65-01430	VERA	1196	6500011	VERA	1213N	6501117	VERA	41X55X7!
6499SS	JN-MN	254287	65-01455	VERA	3698	6500037	VERA	1994	6501158	VERA	223010
64SD-53	IG-RA	417316!	65-01463	VERA	472164!	6500037	VERA	48X70X9!	6501158	VERA	30X42X7!
64X3921	GARLK	417601*	65-01513	VERA	1984	65000U	TRISL	370048A	6501208	VERA	224835
64X3926	GARLK	417602!*	65-01588	VERA	473234!	65000U	TRISL	380048A	6501208	VERA	48X68X10!
64X3938	GARLK	417604*	65-01612	VERA	473228!	65001	VIC	350364	6501224	VERA	451948
64X3944	GARLK	417567*	65-01638	VERA	1183	6500136	VERA	1012	6501273	VERA	223840
64X3952	GARLK	415128*	65-01679	VERA	2002	6500136	VERA	1012N	6501273	VERA	38X58X8!
64X3953	GARLK	455129*	65-01711	VERA	1873	6500136	VERA	45X62X8!	6501299	VERA	223840
64X3954	GARLK	455462*	65-01745	VERA	471195!	6500169	VERA	222510	6501299	VERA	38X58X8!
64X3955	GARLK	415090*	65-01778	VERA	1967	6500169	VERA	25X35X7!	6501307	VERA	223542
64X3962	GARLK	55218* =	65-01786	VERA	1209	6500193	VERA	224520	6501307	VERA	35X55X11!
64X3968	GARLK	415219*	65-01794	VERA	3771	6500193	VERA	45X60X10!	6501364	VERA	472258!
64X3984	GARLK	417606*	65-01802	VERA	1981	65002	C-R	415294!	6501414	VERA	224835
64X3985	GARLK	55078S*	65-01893	VERA	471224!	6500201	VERA	1174	6501414	VERA	48X68X10!
64X3997	GARLK	417020*	65-01943	VERA	224320	6500201	VERA	38X52X8.5!	6501547	VERA	1012
64X3998	GARLK	417020*	65-01984	VERA	1097N	6500284	VERA	225230	6501547	VERA	1012N
64X4009	GARLK	417570*	65-01992	VERA	472164	6500284	VERA	52X72X8!	6501554	VERA	226020
64X4011	GARLK	457997	65-02015	VERA	472397!	6500318	VERA	1953	6501554	VERA	60X80X8!
64X4017	GARLK	415227!*	65-02043	VERA	24X35X7	6500318	VERA	42X60X7!	6501570	VERA	224820
64X4031	GARLK	55228* =	65-02049	VERA	24X35X7	6500326	VERA	471289 =	6501570	VERA	48X62X8!
64X4036	GARLK	415482*	65-02155	VERA	223620	6500326	VERA	473230	6501646	VERA	1174
64X4057	GARLK	415077	65-02189	VERA	472213	6500557	VERA	223555	6501646	VERA	38X52X8.5!
64X4063	GARLK	415076*	65-02239	VERA	471870!	6500557	VERA	35X64X8!	6501703	VERA	224820
64X4072	GARLK	417608	65-02288	VERA	228010	6500581	VERA	472287!	6501752	VERA	1208
64X4499	GARLK	415124*	65-02395	VERA	471224!	6500599	VERA	224045	6501752	VERA	48X72X7!
64X4500	GARLK	417022*	65-02429	VERA	5778	6500599	VERA	40X62X12!	6501810	VERA	473238
64X4610	GARLK	415871	65-02486	VERA	1110	6500623	VERA	1973	6501919	VERA	350936
64X80X8	FORSH	64X80X8	65-02650	VERA	222242	6500623	VERA	48X65X10!	6501950	VERA	223830
64X80X8	SIMRT	64X80X8	65-02817	VERA	203006!	6500706	VERA	1174	6501950	VERA	38X55X7!
64X80X8SC	TRSCM	64X80X8	65-02858	VERA	474134	6500706	VERA	38X52X8.5!	6501SS	JN-MN	350156
64X80X8TC	TRSCM	64X80X8	65-02882	VERA	1938	6500714	VERA	1012	6501SS	JN-MN	473096
64X90X13	SIMRT	64X90X13	65-02890	VERA	1943	6500714	VERA	1012N	6502023	VERA	224235
65-00029	VERA	473823	65-02900	VERA	494117	6500714	VERA	45X62X8!	6502064	VERA	1969
65-00052	VERA	1167	65-02908	VERA	494117	6500763	VERA	224270	6502064	VERA	48X63X9!
65-00060	VERA	1173	65-03020	VERA	3771	6500763	VERA	42X72X10!	6502080	VERA	451857
65-00094	VERA	223014	65-03038	VERA	3771	6500771	VERA	224045	65021 C-R		416229*
65-00250	VERA	471192	65-03087	VERA	3476	6500771	VERA	40X62X12!	6502148	VERA	224025
65-00268	VERA	471766!	65-03103	VERA	1949	6500789	VERA	223542	6502148	VERA	24X35X7!
65-00300	VERA	473367	65-03111	VERA	473812	6500789	VERA	35X55X11!	6502171	VERA	1994
65-00334	VERA	1952	65-03129	VERA	473179!	6500821	VERA	224470	6502171	VERA	48X70X9!

! Industrial Size/Type * Minor Width Difference = Call 1-800-480-1212 for price and delivery.

NUMERICAL

Zero Duplication or Recommended Industrial		Zero Duplication or Recommended Industrial		Zero Duplication or Recommended Industrial		Zero Duplication or Recommended Industrial	
Mfr. No.	Name	Mfr. No.	Name	Mfr. No.	Name	Mfr. No.	Name
6502197	VERA	65035	C-R	65103S	TROS	6534EL	SUL
6502197	VERA	6503574	VERA	65105	SHOV	65350	DENCO
65022	VIC	6503574	VERA	65111U	TRISL	65360S	TROS
6502270	VERA	65036	C-R	65118	ALLCH	653632R91	IH
6502270	VERA	65037	C-R	651193R91	IH	65380	VIC
6502296	VERA	6503731	VERA	65120	AT SU	65382	VIC
6502296	VERA	6503731	VERA	65121S	TROS	6538LA	JN-MN
6502346	VERA	6503749	VERA	651246	ALLCH	6538LPD	JN-MN
6502361	VERA	6503749	VERA	65126	VIC	654	C-R
6502361	VERA	65038	C-R	651266	WHITE	65402S	TROS
65025	C-R	65039	HYST	651299	ALLCH	654084C91	IH
6502502	VERA	6504	ALOY	6513499	CLARK	6541	C-R
6502502	VERA	6504	HYST	6515000	CLARK	65418C1	IH
6502528	VERA	6504001	VERA	65152U	TRISL	65441D	IH
6502528	VERA	6504118	VERA	65165U	TRISL	65446	VIC
6502569	VERA	6504118	VERA	65170	VIC	6545	TIMKE
6502569	VERA	6504126	VERA	651725	CHRYSS	654674R91	IH
6502569	VERA	6504126	VERA	65172U	TRISL	654686	GMC
6502577	VERA	6504159	VERA	65179R91	IH	654687	GMC
6502577	VERA	6504159	VERA	65179R91	IH	6546LA	JN-MN
65025SF	VIC	650426	C-R	65184U	TRISL	6547	SHEP
65026	C-R	6505	C-R	6519	ALOY	6547	TIMKE
6502643	VERA	65051	VIC	6519	SPG	6547LA	JN-MN
6502643	VERA	650510	C-R	65191	VIC	6548	SHEP
6502668	VERA	650512	C-R	65193	VIC	654805	ALLCH
6502668	VERA	650516	C-R	65201S	TROS	6548LA	JN-MN
6502676	VERA	65054	C-R	65202	TROS	6550	C-R
6502676	VERA	65055	EATON	6521	ALOY	65501S	TROS
65027	TRISL	65056T8	C-R	6521	C-R	65512	DURA
65027U	TRISL	65056U	TRISL	652255R91	IH	65520S	TROS
6502825	VERA	65056W+67094J	TRISL	6522S	TIMKE	6554	C-R
6502825	VERA	65058	C-R	65242	VIC	65546	VIC
6502825	VERA	65058	C-R	65245	VIC	65549AX	OSHKO
6502833	VERA	65058	CABOT	6525	ALOY	65549HX	OSHKO
6502833	VERA	65058	CABOT	6525007	GMC	6555	C-R
6502866	VERA	65058	FAIRB	6526	C-R	655512	CONCA
6502866	VERA	65058	FAIRB	65261U	TRISL	655512	CONCA
6502874	VERA	65058	GR-DV	65261U	TRISL	6556	C-R
6502874	VERA	65058	GR-DV	65261W+67013J	TRISL	655619	ALLCH
6502916	VERA	65058K	CHRYSS	65261W+67013J	TRISL	65566	AM WH
6502916	VERA	65058K	CHRYSS	65261W+67013J	TRISL	6558693	CLARK
6502932	VERA	65058M1	C-R	65262U	TRISL	65589	WAUKE
6502932	VERA	65058M1	C-R	65262W+67023J	TRISL	6558963	CLARK
6502940	VERA	6505Q6	C-R	65262W+67023J	TRISL	6558R	JN-MN
6502940	VERA	65060U	TRISL	65263	TROS	6559R	JN-MN
6502946	VERA	65060U	TRISL	65263U	TRISL	6560	C-R
6502946	VERA	65060W+67048J	TRISL	652656	CLARK	65600D	IH
6502957	VERA	65060W+67048J	TRISL	65269W+67009J	TRISL	65601S	TROS
6502957	VERA	65061	AMC	65270U	TRISL	6561	C-R
6502973	VERA	65064	AMC	65270W+67093J	TRISL	656115	Y-T
6502973	VERA	65065W+67094J	TRISL	65275U	TRISL	65628	CINMI
65030	C-R	65066SS	JN-MN	652769R91	IH	6564	C-R
6503095	VERA	6507	SPG	65279W+67093J	TRISL	65646	VIC
6503095	VERA	65071U	TRISL	6528	SPG	6564S	SPG
65030U	TRISL	65072W+67093J	TRISL	6528LA	JN-MN	656520	GMC
65030U	TRISL	65073W+67036J	TRISL	65294U	TRISL	6565N	TIMKE
65030W+67067J	TRISL	65073W+67047J	TRISL	65298U	TRISL	65682	OLIVE
65030W+67067J	TRISL	650760	ALLCH	65298U	TRISL	65698R91	IH
6503145	VERA	650773	WHITE	6530R	JN-MN	656W228-L	C-R
6503145	VERA	650773A3	DIA	65312	VIC	6570	ACF
650328	CHRYSS	65078U	TRISL	65314	VIC	6570	ACF
6503319	VERA	650794	ALLCH	6531SS	JN-MN	6570	C-R
6503319	VERA	65082D	IH	6532R	JN-MN	6570	HYST
6503327	VERA	65085	C-R	653337	GWI	6570	HYST
6503327	VERA	65085D	IH	6533EL	SUL	6570LPD	JN-MN
6503335	VERA	650893	WHITE	6533EL	SUL	657206	ALLCH
6503335	VERA	65096	VIC	6533LA	JN-MN	6573S	SPG
6503373	VERA	6509LA	JN-MN	6533LPD	JN-MN	657516R91	IH
6503373	VERA	650D5	WHITE	65340S	TROS	6575S	TIMKE
6503376	VERA	650HA516-L	C-R	65343	DENCO	657605	CLARK
6503376	VERA	65102S	TROS	653432R91	IH	657606	CLARK
65034	C-R	65103	SHOV	65349	DENCO	657607	CLARK

! Industrial Size/Type * Minor Width Difference = Call 1-800-480-1212 for price and delivery.

Zero Duplication or Recommended			Zero Duplication or Recommended			Zero Duplication or Recommended			Zero Duplication or Recommended		
Mfr. No.	Name	Industrial	Mfr. No.	Name	Industrial	Mfr. No.	Name	Industrial	Mfr. No.	Name	Industrial
657608	CLARK	410102	659109R91	IH	471785!	65972	FWD	417349	65X1125	GARLK	450279
657609	CLARK	470682	65911	FWD	450313	65973	FWD	55030	65X1129	GARLK	472144!
657610	CLARK	472636!	659110R91	IH	412473!	65977	AM WH	417171!	65X113	GARLK	471553!
657611	CLARK	473447	659111R91	IH	471141!	6597S	TIMKE	6597S	65X1130	GARLK	472144!
657612	CLARK	417498	659112R91	IH	470682	65982	FWD	417316!	65X1131	GARLK	472144!*
657613	CLARK	415449!	659113R91	IH	471424!	65982	JOHND	417316!	65X1132	GARLK	473460
657614	CLARK	415995!	659114R91	IH	473229	65983	FWD	416149	65X1133	GARLK	473460
657615	CLARK	476470	659115R91	IH	471466!	65983R91	IH	330385!	65X1134	GARLK	473460
657616	CLARK	473242	659116R91	IH	471785!	65986	FWD	415303!	65X1135	GARLK	472394*
657617	CLARK	473245!	659118R91	IH	471141!	65990	FWD	470898!	65X1136	GARLK	472394*
65762	CLARK	450497=	659124R91	IH	471192	659900R91	IH	455480!	65X1137	GARLK	472394
657621	CLARK	415960!	659125R91	IH	416956	6599009R91	IH	417604	65X1138	GARLK	473461!*
657622	CLARK	415007	65913	FWD	412253!	65992	FWD	412119!	65X1139	GARLK	473461!*
657623	CLARK	472179	65914	FWD	411376!	65993	FWD	472070	65X114	GARLK	471553!
657624	CLARK	416891!	65914	OLIVE	411376!	65994	FWD	481864	65X1140	GARLK	473461!
657625	CLARK	412119!	65916	FWD	415984!	65995	FWD	416865!	65X1141	GARLK	471391!*
657627	CLARK	450497=	65917	FWD	418028	65996	FWD	481864	65X1142	GARLK	471391!*
657628	CLARK	456105	65917	FWD	455137!	65998	FWD	471649!	65X1143	GARLK	471391!
657629	CLARK	471272!	65918	FWD	415991	65W1	WHITE	412473!	65X1147	GARLK	473462
657630	CLARK	415991	65918	FWD	455146!	65X100	GARLK	481537	65X1148	GARLK	473462
657630	CLARK	455146!	65919	FWD	415991	65X10007X	TIMKE	65X100X7	65X1149	GARLK	473462
657810	GMC	417506	65919	FWD	455146!	65X10010XX	TIMKE	65X100X10	65X115	GARLK	471579
657811	GMC	417505	65920	FWD	415379!	65X1003	GARLK	451993=	65X1150	GARLK	450472!*
657812	GMC	370019A	65920	FWD	415379!	65X1004	GARLK	451993=	65X1151	GARLK	450472!*
657813	GMC	370021A	65921	FWD	415023	65X1005	GARLK	451993=	65X1152	GARLK	450472!
657814	GMC	370005A	65921	OLIVE	415023	65X100X10SC	TRSCM	65X100X10	65X116	GARLK	471579*
657815	GMC	370007A	65922	FWD	416339	65X100X10TC	TRSCM	65X100X10	65X1162	GARLK	450474*
6580	C-R	481397*	65922	FWD	455031!	65X100X7	ISP	65X100X7*	65X1163	GARLK	450474*
658008A	HARWA	65X80X8	65923	FWD	415150!	65X1042	GARLK	472439*	65X1164	GARLK	450474*
658008XX	TIMKE	65X80X8	65924	FWD	472157!	65X1043	GARLK	472439*	65X1165	GARLK	50528*
6580AS	HERCU	470712	65924	FWD	472157	65X1044	GARLK	472439	65X1166	GARLK	50528*
658114	ALLCH	415449	65925	FWD	415263	65X1045	GARLK	471868	65X1167	GARLK	50528
658137R91	IH	416956	659258	WHITE	473226	65X1047	GARLK	471868	65X1186	GARLK	471870!
6582LA	JN-MN	417512	65926	FWD	416125!	65X1048	GARLK	472572!	65X1187	GARLK	471870!
6582LUP	JN-MN	417512	65926	OLIVE	254270	65X1049	GARLK	472572!	65X1188	GARLK	471870!
6584	ALOY	473234	65927	FWD	415725!	65X1050	GARLK	472572!	65X1189	GARLK	472492!
6584	ALOY	7300S	65928	FWD	50405	65X1051	GARLK	473179!	65X1190	GARLK	472492!
6584S	TIMKE	418028	65930	FWD	417344!	65X1052	GARLK	473179!	65X1191	GARLK	472492!
6585	ALOY	2043	65931	FWD	472234	65X1053	GARLK	473179!	65X1198	GARLK	472924!
658508XX	TIMKE	65X85X8	65933	FWD	415027	65X1054	GARLK	414045!*	65X1199	GARLK	472924!
658510XX	TIMKE	65X85X10	65933	FWD	415027!	65X1055	GARLK	414045!*	65X1200	GARLK	472924!
6585R	JN-MN	417546!	65934	FWD	417191	65X1056	GARLK	414045!*	65X1201	GARLK	470530!
658650R91	IH	471424!	65934	FWD	455165!	65X1057	GARLK	473238	65X1202	GARLK	470530!
658651R91	IH	470682	65940	FWD	411394!	65X1058	GARLK	473238	65X1203	GARLK	470530!
658745	CLARK	415254	65941	FWD	412040	65X1059	GARLK	473238!	65X1204	GARLK	472397!
6588	ALOY	8139	65942	FWD	415302	65X1060	GARLK	450084!	65X1205	GARLK	472397!
658808XX	TIMKE	65X88X8	65943	FWD	455005	65X1062	GARLK	450084!	65X1206	GARLK	472397!
658810XX	TIMKE	65X88X10	65944	FWD	476470	65X1063	GARLK	473239	65X1207	GARLK	473463*
6588LA	JN-MN	417269!	65946	FWD	415045!	65X1064	GARLK	473239	65X1208	GARLK	473463
658942	ALLCH	476470!	65948	FWD	416706!	65X1065	GARLK	473239	65X1209	GARLK	473463
6589428	ALLCH	476470!	65948	OLIVE	416706!	65X1066	GARLK	473457!*	65X121	GARLK	470506!
6589428	ALLCH	476470	65950	FWD	415234!	65X1067	GARLK	473457!*	65X1210	GARLK	473242*
659007XX	TIMKE	65X90X7	659507XX	TIMKE	65X95X7	65X1068	GARLK	473457!	65X1211	GARLK	473242*
659008	EATON	J1115	65952	FWD	472394	65X1069	GARLK	473240!*	65X1212	GARLK	473242
659009	EATON	J1124	65953	FWD	481163!	65X1070	GARLK	473240!*	65X1216	GARLK	473464!
659009	Y-T	J1124	65955	FWD	455203	65X1071	GARLK	473240!	65X1216	GARLK	473464
65901	FWD	471224!	65955	OLIVE	455203	65X1075	GARLK	473458!*	65X1217	GARLK	473464!
659010	EATON	J1130	65958	FWD	473467!	65X1076	GARLK	473458!	65X1217	GARLK	473464
659010	Y-T	J1130	65959	FWD	455249!	65X1077	GARLK	473458!*	65X1218	GARLK	473464!
659010XX	TIMKE	65X90X10	6596	ALOY	1192	65X109	GARLK	471529	65X1218	GARLK	473464
659013XX	TIMKE	65X90X13	659606	CLARK	415027	65X110	GARLK	471529	65X122	GARLK	470506!
65902	FWD	416271!	659606	CLARK	415027!	65X111	GARLK	471538!*	65X124	GARLK	50026*
65904	FWD	472164!	65961	TROS	412725	65X1114	GARLK	472319	65X1252	GARLK	451948
65905	FWD	471870!	65963	FWD	412040	65X1115	GARLK	472319	65X1253	GARLK	451948
65906	FWD	472572!	65964	FWD	471272!	65X1116	GARLK	472319	65X1254	GARLK	451948*
65907	FWD	470898!	65966	FWD	473450	65X1117	GARLK	473459	65X1255	GARLK	473466
65908	FWD	50191	659675	CLARK	471689!	65X1118	GARLK	473459	65X1257	GARLK	473466
65908F	DIA	5406	659675R91	IH	414045!	65X1119	GARLK	473459	65X1258	GARLK	472012*
6590S	TIMKE	6590S	65970	FWD	323138!	65X112	GARLK	471538!	65X1259	GARLK	472012*
65910	FWD	473475	65971	FWD	418028	65X1120	GARLK	473241	65X1260	GARLK	472012
659107R91	IH	471192	65971	FWD	455137!	65X1121	GARLK	473241	65X1261	GARLK	450307*
659108R91	IH	473229	659710R91	IH	412119!	65X1122	GARLK	473241	65X1262	GARLK	450307*

! Industrial Size/Type * Minor Width Difference = Call 1-800-480-1212 for price and delivery.

NUMERICAL

Zero Duplication or Recommended		Zero Duplication or Recommended		Zero Duplication or Recommended		Zero Duplication or Recommended		
Mfr. No.	Name	Mfr. No.	Name	Mfr. No.	Name	Mfr. No.	Name	
65X1263	GARLK	450307	65X1426	GARLK	413472	65X1641	GARLK	473474
65X1264	GARLK	450311*	65X1428	GARLK	413472	65X1642	GARLK	470565!
65X1265	GARLK	450311*	65X143	GARLK	471567!	65X1643	GARLK	470565!
65X1266	GARLK	450311	65X1432	GARLK	416268	65X1644	GARLK	470565!
65X1270	GARLK	416738!	65X1434	GARLK	416268	65X1648	GARLK	473475*
65X1270	GARLK	450096	65X144	GARLK	471567!	65X1649	GARLK	473475
65X1271	GARLK	416738!	65X145	GARLK	471498*	65X1650	GARLK	473475*
65X1271	GARLK	450096	65X146	GARLK	471498	65X1654	GARLK	413246
65X1272	GARLK	416738!	65X147	GARLK	471643!	65X1655	GARLK	413246
65X1272	GARLK	450096	65X1471	GARLK	471341!	65X1656	GARLK	413246
65X1276	GARLK	450313	65X1472	GARLK	471341!	65X1657	GARLK	412119!
65X1278	GARLK	450313	65X1473	GARLK	471341!	65X1658	GARLK	412119!
65X1279	GARLK	450532	65X1474	GARLK	471272!	65X1659	GARLK	412119!
65X1280	GARLK	450532*	65X1475	GARLK	471272!	65X1660	GARLK	413247!
65X1281	GARLK	450532*	65X1476	GARLK	471272!	65X1661	GARLK	413247!
65X13	GARLK	330385!	65X1477	GARLK	473473*	65X1662	GARLK	413247!
65X1321	GARLK	470898	65X1478	GARLK	473473	65X1663	GARLK	410987!
65X1322	GARLK	470898	65X1479	GARLK	473473	65X1664	GARLK	410987!
65X1323	GARLK	470898	65X1480	GARLK	471138!	65X1665	GARLK	410987!
65X1324	GARLK	473467	65X1481	GARLK	471138!	65X1666	GARLK	416271!*
65X1326	GARLK	473467	65X1482	GARLK	471138!	65X1667	GARLK	416271!*
65X1327	GARLK	472015!	65X1486	GARLK	410737!	65X1668	GARLK	416271!*
65X1328	GARLK	472015!	65X1487	GARLK	410737!	65X1672	GARLK	410825
65X1329	GARLK	472015!	65X1488	GARLK	410737!	65X1673	GARLK	410825
65X1330	GARLK	410308!	65X1492	GARLK	472636!	65X1674	GARLK	410825*
65X1331	GARLK	410308!	65X1493	GARLK	472636!	65X1675	GARLK	416071*
65X1332	GARLK	410308!	65X1494	GARLK	472636!	65X1676	GARLK	416071*
65X1333	GARLK	472016*	65X1495	GARLK	411253!	65X1677	GARLK	416071
65X1334	GARLK	472016*	65X1496	GARLK	411253!	65X1678	GARLK	417480!
65X1335	GARLK	472016	65X1497	GARLK	411253!	65X1679	GARLK	417480!
65X1339	GARLK	472409!	65X1498	GARLK	412920!	65X1680	GARLK	417480!
65X1340	GARLK	472409!	65X1499	GARLK	412920!	65X17	GARLK	471103!
65X1341	GARLK	472409!	65X15	GARLK	350156	65X1723	GARLK	471887*
65X1345	GARLK	473243	65X15	GARLK	473096	65X1724	GARLK	471887*
65X1346	GARLK	473243	65X150	GARLK	471684!	65X1725	GARLK	471887
65X1347	GARLK	473243	65X1500	GARLK	412920!	65X1735	GARLK	412040*
65X1348	GARLK	413469!*	65X1501	GARLK	455136*	65X1736	GARLK	412040*
65X1349	GARLK	413469!*	65X1502	GARLK	455136*	65X1737	GARLK	412040
65X1350	GARLK	413469!*	65X1503	GARLK	455136	65X1738	GARLK	411500*
65X1357	GARLK	416267!*	65X1504	GARLK	411376!	65X1739	GARLK	411500*
65X1358	GARLK	416267!*	65X1505	GARLK	411376!	65X1740	GARLK	411500*
65X1359	GARLK	416267!*	65X1506	GARLK	411376!	65X1741	GARLK	413478*
65X1368	GARLK	473214	65X151	GARLK	450033*	65X1742	GARLK	413478*
65X1378	GARLK	450621*	65X152	GARLK	450033	65X1743	GARLK	413478*
65X1379	GARLK	450621	65X153	GARLK	470390*	65X1744	GARLK	450104*
65X1380	GARLK	450621*	65X154	GARLK	470390	65X1745	GARLK	450104*
65X1384	GARLK	450869*	65X155	GARLK	473407*	65X1746	GARLK	450104
65X1385	GARLK	450869*	65X156	GARLK	473407	65X1747	GARLK	411245!
65X1386	GARLK	450869*	65X1561	GARLK	472150*	65X1748	GARLK	411245!
65X1399	GARLK	473244	65X1562	GARLK	472150*	65X1749	GARLK	411245!
65X14	GARLK	330385!	65X1563	GARLK	472150	65X1750	GARLK	417073*
65X1400	GARLK	473244	65X1573	GARLK	411394!	65X1751	GARLK	417073*
65X1401	GARLK	473244	65X1574	GARLK	411394!	65X1752	GARLK	417073
65X1402	GARLK	472018	65X1575	GARLK	411394!	65X1774	GARLK	50560*
65X1403	GARLK	472018	65X1576	GARLK	410694!*	65X18	GARLK	471103!
65X1404	GARLK	472018*	65X1577	GARLK	410694!*	65X1801	GARLK	472029*
65X1405	GARLK	473471*	65X1578	GARLK	410694!*	65X1802	GARLK	472029*
65X1406	GARLK	473471	65X1580	GARLK	450133*	65X1803	GARLK	472029*
65X1407	GARLK	473471*	65X1581	GARLK	450133*	65X1807	GARLK	471271!
65X1408	GARLK	472020*	65X1585	GARLK	416444*	65X1808	GARLK	471271!
65X1409	GARLK	472020*	65X1586	GARLK	416444*	65X1809	GARLK	471271!
65X1410	GARLK	472020*	65X1587	GARLK	416444	65X1810	GARLK	410496!
65X1414	GARLK	470354*	65X1588	GARLK	455647=	65X1811	GARLK	410496!
65X1415	GARLK	470354	65X1589	GARLK	455647=	65X1812	GARLK	410496!
65X1416	GARLK	470354*	65X1590	GARLK	455647=	65X1813	GARLK	470605!*
65X142	GARLK	471554!	65X1594	GARLK	455321*	65X1815	GARLK	470605!*
65X1420	GARLK	473245!*	65X1595	GARLK	455321*	65X1819	GARLK	415449!
65X1421	GARLK	473245!*	65X1596	GARLK	455321	65X1820	GARLK	415449!
65X1422	GARLK	471504!	65X16	GARLK	350156	65X1821	GARLK	415449!
65X1423	GARLK	412943*	65X16	GARLK	473096	65X1822	GARLK	415001!
65X1424	GARLK	412943*	65X1639	GARLK	473474*	65X1823	GARLK	415001!
65X1425	GARLK	412943*	65X1640	GARLK	473474*	65X1824	GARLK	415001!

! Industrial Size/Type * Minor Width Difference = Call 1-800-480-1212 for price and delivery.

Zero Duplication or Recommended		Zero Duplication or Recommended		Zero Duplication or Recommended		Zero Duplication or Recommended	
Mfr. No.	Name	Mfr. No.	Name	Mfr. No.	Name	Mfr. No.	Name
65X2052	GARLK	65X2273	GARLK	65X2462	GARLK	65X2664	GARLK
65X2115	GARLK	65X2276	GARLK	65X2464	GARLK	65X2666	GARLK
65X2117	GARLK	65X2278	GARLK	65X2466	GARLK	65X2669	GARLK
65X2118	GARLK	65X2279	GARLK	65X2468	GARLK	65X2671	GARLK
65X2119	GARLK	65X2282	GARLK	65X2470	GARLK	65X2675	GARLK
65X2120	GARLK	65X2284	GARLK	65X2474	GARLK	65X2678	GARLK
65X2121	GARLK	65X2288	GARLK	65X2476	GARLK	65X2681	GARLK
65X2122	GARLK	65X229	GARLK	65X2477	GARLK	65X2684	GARLK
65X2123	GARLK	65X230	GARLK	65X2480	GARLK	65X2687	GARLK
65X2124	GARLK	65X2312	GARLK	65X2501	GARLK	65X2699	GARLK
65X2125	GARLK	65X2321	GARLK	65X2504	GARLK	65X2705	GARLK
65X2126	GARLK	65X2323	GARLK	65X2507	GARLK	65X2711	GARLK
65X213	GARLK	65X2324	GARLK	65X2510	GARLK	65X2712	GARLK
65X214	GARLK	65X2324	GARLK	65X2513	GARLK	65X2717	GARLK
65X2146	GARLK	65X2324	GARLK	65X2516	GARLK	65X2723	GARLK
65X2147	GARLK	65X2324	GARLK	65X2519	GARLK	65X2729	GARLK
65X2148	GARLK	65X2324	GARLK	65X2521	GARLK	65X2732	GARLK
65X2149	GARLK	65X2324	GARLK	65X2522	GARLK	65X2733	GARLK
65X215	GARLK	65X2324	GARLK	65X2525	GARLK	65X2738	GARLK
65X2150	GARLK	65X2324	GARLK	65X2527	GARLK	65X2740	GARLK
65X2151	GARLK	65X2324	GARLK	65X2528	GARLK	65X2744	GARLK
65X2152	GARLK	65X2324	GARLK	65X2531	GARLK	65X2750	GARLK
65X2153	GARLK	65X2324	GARLK	65X2533	GARLK	65X2753	GARLK
65X2154	GARLK	65X2324	GARLK	65X2537	GARLK	65X2754	GARLK
65X2155	GARLK	65X2324	GARLK	65X2539	GARLK	65X2755	GARLK
65X2156	GARLK	65X2324	GARLK	65X2540	GARLK	65X2756	GARLK
65X216	GARLK	65X2324	GARLK	65X2541	GARLK	65X2759	GARLK
65X2168	GARLK	65X2324	GARLK	65X2543	GARLK	65X2760	GARLK
65X2169	GARLK	65X2324	GARLK	65X2544	GARLK	65X2761	GARLK
65X217	GARLK	65X2324	GARLK	65X2549	GARLK	65X2762	GARLK
65X2170	GARLK	65X2324	GARLK	65X255	GARLK	65X2765	GARLK
65X2171	GARLK	65X2324	GARLK	65X2550	GARLK	65X2766	GARLK
65X2172	GARLK	65X2324	GARLK	65X2552	GARLK	65X2767	GARLK
65X2173	GARLK	65X2324	GARLK	65X2555	GARLK	65X2768	GARLK
65X2174	GARLK	65X2324	GARLK	65X2556	GARLK	65X2771	GARLK
65X2175	GARLK	65X2324	GARLK	65X256	GARLK	65X2774	GARLK
65X2176	GARLK	65X2324	GARLK	65X2561	GARLK	65X2780	GARLK
65X2177	GARLK	65X2324	GARLK	65X2567	GARLK	65X2786	GARLK
65X2178	GARLK	65X2324	GARLK	65X2568	GARLK	65X2787	GARLK
65X218	GARLK	65X2324	GARLK	65X2569	GARLK	65X2789	GARLK
65X2180	GARLK	65X2324	GARLK	65X2573	GARLK	65X2801	GARLK
65X2180	GARLK	65X2324	GARLK	65X2579	GARLK	65X2804	GARLK
65X2182	GARLK	65X2324	GARLK	65X2584	GARLK	65X2807	GARLK
65X2183	GARLK	65X2324	GARLK	65X2589	GARLK	65X2809	GARLK
65X219	GARLK	65X2324	GARLK	65X2590	GARLK	65X2813	GARLK
65X220	GARLK	65X2324	GARLK	65X2593	GARLK	65X2837	GARLK
65X221	GARLK	65X2324	GARLK	65X2599	GARLK	65X2838	GARLK
65X222	GARLK	65X2324	GARLK	65X2600	GARLK	65X2839	GARLK
65X2225	GARLK	65X2324	GARLK	65X2603	GARLK	65X2840	GARLK
65X2226	GARLK	65X2324	GARLK	65X2605	GARLK	65X2843	GARLK
65X2228	GARLK	65X2324	GARLK	65X2609	GARLK	65X2845	GARLK
65X223	GARLK	65X2324	GARLK	65X2610	GARLK	65X2846	GARLK
65X2231	GARLK	65X2324	GARLK	65X2615	GARLK	65X2849	GARLK
65X2234	GARLK	65X2324	GARLK	65X2621	GARLK	65X2873	GARLK
65X2236	GARLK	65X2324	GARLK	65X2627	GARLK	65X2875	GARLK
65X2237	GARLK	65X2324	GARLK	65X2630	GARLK	65X2876	GARLK
65X224	GARLK	65X2324	GARLK	65X2636	GARLK	65X2879	GARLK
65X2246	GARLK	65X2324	GARLK	65X2642	GARLK	65X2881	GARLK
65X2249	GARLK	65X2324	GARLK	65X2648	GARLK	65X2884	GARLK
65X225	GARLK	65X2324	GARLK	65X2654	GARLK	65X2900	GARLK
65X2252	GARLK	65X2324	GARLK	65X2657	GARLK	65X2901	GARLK
65X2254	GARLK	65X2324	GARLK	65X2659	GARLK	65X2903	GARLK
65X2255	GARLK	65X2324	GARLK	65X2660	GARLK	65X2905	GARLK
65X2257	GARLK	65X2324	GARLK	65X2663	GARLK	65X2915	GARLK
65X226	GARLK	65X2324	GARLK			65X2917	GARLK
65X2260	GARLK	65X2324	GARLK			65X2918	GARLK
65X2261	GARLK	65X2324	GARLK			65X2921	GARLK
65X2267	GARLK	65X2324	GARLK			65X2922	GARLK
65X2270	GARLK	65X2324	GARLK			65X2923	GARLK
65X2271	GARLK	65X2324	GARLK			65X2924	GARLK
65X2272	GARLK	65X2324	GARLK			65X2926	GARLK
		65X2324	GARLK			65X2927	GARLK
		65X2324	GARLK			65X2929	GARLK

! Industrial Size/Type * Minor Width Difference = Call 1-800-480-1212 for price and delivery.

NUMERICAL

Zero Duplication or Recommended		Zero Duplication or Recommended		Zero Duplication or Recommended		Zero Duplication or Recommended		
Mfr. No.	Name	Mfr. No.	Name	Mfr. No.	Name	Mfr. No.	Name	
65X2933	GARLK	417542*	65X35	GARLK	472810!	65X44	GARLK	320457
65X2936	GARLK	417543*	65X3501	GARLK	416239!	65X440	GARLK	450165
65X2951	GARLK	417545*	65X3504	GARLK	417564*	65X440	GARLK	471801!
65X2993	GARLK	417258*	65X351	GARLK	471652	65X441	GARLK	450165
65X2996	GARLK	417546!*	65X3518	GARLK	416044	65X441	GARLK	471801!
65X2998	GARLK	417546!	65X352	GARLK	471652	65X442	GARLK	471808!*
65X2999	GARLK	417547*	65X3526	GARLK	415116*	65X443	GARLK	471808!*
65X3001	GARLK	417547	65X3527	GARLK	415116	65X444	GARLK	471808!
65X3032	GARLK	417548*	65X353	GARLK	471692!	65X445	GARLK	471818*
65X3059	GARLK	417262!	65X354	GARLK	471692!	65X446	GARLK	471818*
65X3065	GARLK	415645!	65X355	GARLK	476838!	65X447	GARLK	471818*
65X3065	GARLK	455104	65X356	GARLK	476838!	65X448	GARLK	470050*
65X3067	GARLK	415645!	65X357	GARLK	470712!	65X449	GARLK	470050
65X3067	GARLK	455104	65X358	GARLK	470712!	65X45	GARLK	470004!
65X3071	GARLK	417549!*	65X359	GARLK	471763*	65X450	GARLK	470050*
65X3122	GARLK	417551*	65X36	GARLK	472810!	65X451	GARLK	473424!*
65X3125	GARLK	455576!	65X360	GARLK	471763	65X452	GARLK	473424!
65X3128	GARLK	415938*	65X361	GARLK	471785!	65X4584	GARLK	473197
65X3130	GARLK	415938	65X362	GARLK	471785!	65X46	GARLK	470004!
65X3131	GARLK	417554!*	65X363	GARLK	471736	65X4677	GARLK	472560N!
65X3176	GARLK	417254*	65X364	GARLK	471736	65X49	GARLK	471442!
65X3179	GARLK	417360	65X365	GARLK	473428*	65X50	GARLK	471442!
65X3182	GARLK	416107!	65X366	GARLK	473428	65X51	GARLK	471526!
65X3184	GARLK	416107!	65X367	GARLK	471764!	65X53	GARLK	471472!
65X3184	GARLK	455073	65X368	GARLK	471764!	65X535	GARLK	470774!
65X3185	GARLK	417361	65X369	GARLK	473427*	65X536	GARLK	470774!
65X323	GARLK	471651	65X370	GARLK	473427	65X537	GARLK	470774!
65X324	GARLK	471651*	65X374	GARLK	450362*	65X538	GARLK	472287!*
65X325	GARLK	471705!	65X376	GARLK	450362*	65X539	GARLK	472287!*
65X326	GARLK	471705!	65X377	GARLK	450600=	65X54	GARLK	471472!
65X327	GARLK	473419	65X378	GARLK	450600=	65X540	GARLK	472287!*
65X3275	GARLK	417362!*	65X379	GARLK	450600=	65X541	GARLK	471192
65X3278	GARLK	417363	65X383	GARLK	472475*	65X542	GARLK	471192
65X328	GARLK	473419	65X384	GARLK	472475	65X543	GARLK	471192
65X3281	GARLK	416666*	65X385	GARLK	473426	65X544	GARLK	473214
65X3283	GARLK	416666	65X386	GARLK	473426	65X545	GARLK	473214
65X3284	GARLK	417364	65X3863	GARLK	350435	65X546	GARLK	473214
65X329	GARLK	471735*	65X387	GARLK	471765!	65X547	GARLK	473215!*
65X3293	GARLK	416039	65X3872	GARLK	471747!	65X548	GARLK	473215!*
65X330	GARLK	471735	65X3873	GARLK	471747!	65X549	GARLK	473215!
65X331	GARLK	450342	65X3876	GARLK	473425	65X55	GARLK	471549!
65X332	GARLK	450342	65X388	GARLK	471765!	65X550	GARLK	470950!
65X333	GARLK	471762!	65X3880	GARLK	471344*	65X550	GARLK	6241S
65X334	GARLK	471762!	65X3883	GARLK	473442!*	65X551	GARLK	470950!
65X3347	GARLK	417780*	65X3885	GARLK	470088*	65X551	GARLK	6241S
65X335	GARLK	473420*	65X389	GARLK	471354!*	65X552	GARLK	470950!
65X336	GARLK	473420	65X390	GARLK	471354!	65X552	GARLK	6241S
65X3375	GARLK	455330!*	65X3904	GARLK	472234*	65X556	GARLK	471835!
65X3377	GARLK	455330!	65X3905	GARLK	472234*	65X557	GARLK	471835!
65X3384	GARLK	415074	65X3906	GARLK	472234	65X558	GARLK	471835!
65X3394	GARLK	455480!*	65X394	GARLK	473205	65X559	GARLK	472843*
65X3396	GARLK	455480!*	65X395	GARLK	473205	65X56	GARLK	471549!
65X3398	GARLK	55316*=	65X396	GARLK	473205	65X560	GARLK	472843*
65X3402	GARLK	417562*	65X397	GARLK	474255	65X561	GARLK	472843
65X3405	GARLK	417562*	65X398	GARLK	474255	65X592	GARLK	473224!*
65X3406	GARLK	55692*=	65X399	GARLK	474255	65X593	GARLK	473224!
65X3417	GARLK	55242*	65X424	GARLK	471750!	65X594	GARLK	473224!*
65X3421	GARLK	417563*	65X425	GARLK	471750!	65X595	GARLK	473016!*
65X3423	GARLK	417563	65X426	GARLK	471750!	65X596	GARLK	473016!*
65X3424	GARLK	417563	65X427	GARLK	471766!	65X597	GARLK	473016!
65X3426	GARLK	415294!	65X428	GARLK	471766!	65X598	GARLK	473225!*
65X3434	GARLK	416229*	65X43	GARLK	320457	65X599	GARLK	473225!*
65X3435	GARLK	416229	65X430	GARLK	471787!	65X600	GARLK	473225!
65X3444	GARLK	417298*	65X431	GARLK	471787!	65X601	GARLK	474264
65X3445	GARLK	417298	65X433	GARLK	450177*	65X602	GARLK	474264
65X3460	GARLK	415327*	65X434	GARLK	450177*	65X603	GARLK	474264
65X3464	GARLK	417596*	65X435	GARLK	450177*	65X607	GARLK	473226*
65X3474	GARLK	455948	65X436	GARLK	471795	65X608	GARLK	473226*
65X3482	GARLK	455584*	65X437	GARLK	471795	65X609	GARLK	473226
65X3483	GARLK	455584	65X438	GARLK	471795	65X628	GARLK	473419!
65X3492	GARLK	416364!	65X439	GARLK	450165	65X643	GARLK	470625!
65X3496	GARLK	417597*	65X439	GARLK	471801!	65X644	GARLK	470625!
65X645	GARLK	470625!	65X645	GARLK	470059	65X646	GARLK	470380!
65X646	GARLK	470059	65X646	GARLK	470059	65X647	GARLK	470059
65X646	GARLK	470380!	65X647	GARLK	470380!	65X648	GARLK	470059
65X647	GARLK	470059	65X648	GARLK	470059	65X649	GARLK	470380!
65X647	GARLK	470380!	65X649	GARLK	471820*	65X650	GARLK	471820*
65X648	GARLK	470059	65X650	GARLK	471820*	65X651	GARLK	471820*
65X649	GARLK	470380!	65X651	GARLK	471820*	65X655	GARLK	473228
65X649	GARLK	471820*	65X655	GARLK	473228	65X656	GARLK	473228
65X650	GARLK	471820*	65X656	GARLK	473228	65X657	GARLK	473228
65X651	GARLK	471820*	65X657	GARLK	451857*	65X658	GARLK	451857*
65X655	GARLK	473228	65X658	GARLK	451857*	65X659	GARLK	451857*
65X656	GARLK	473228	65X659	GARLK	451857*	65X660	GARLK	451857*
65X657	GARLK	473228	65X660	GARLK	470487!	65X661	GARLK	470487!
65X658	GARLK	451857*	65X663	GARLK	470487!	65X663	GARLK	470487!
65X659	GARLK	451857*	65X664	GARLK	473440!*	65X664	GARLK	473440!*
65X660	GARLK	451857*	65X665	GARLK	473440!*	65X665	GARLK	473440!*
65X661	GARLK	470487!	65X666	GARLK	473440!	65X666	GARLK	473440!
65X663	GARLK	470487!	65X667	GARLK	471281!	65X667	GARLK	471281!
65X664	GARLK	473440!*	65X668	GARLK	471281!	65X668	GARLK	471281!
65X664	GARLK	473440!*	65X669	GARLK	471535!*	65X669	GARLK	471535!*
65X665	GARLK	473440!*	65X70	GARLK	471535!	65X70	GARLK	471535!
65X666	GARLK	473440!	65X700	GARLK	472213	65X700	GARLK	472213
65X667	GARLK	471281!	65X701	GARLK	472213	65X701	GARLK	472213
65X668	GARLK	471281!	65X702	GARLK	472213	65X702	GARLK	472213
65X669	GARLK	471535!*	65X703	GARLK	472299*	65X703	GARLK	472299*
65X70	GARLK	471535!	65X704	GARLK	472299*	65X704	GARLK	472299*
65X700	GARLK	472213	65X705	GARLK	472299*	65X705	GARLK	472299*
65X701	GARLK	472213	65X706	GARLK	472299*	65X706	GARLK	472299*
65X702	GARLK	472213	65X707	GARLK	471821!	65X707	GARLK	471821!
65X703	GARLK	472299*	65X708	GARLK	471821!	65X708	GARLK	471821!
65X704	GARLK	472299*	65X71	GARLK	471551!	65X71	GARLK	471551!
65X705	GARLK	472299*	65X712	GARLK	473229	65X712	GARLK	473229
65X706	GARLK	472299*	65X713	GARLK	473229	65X713	GARLK	473229
65X707	GARLK	471821!	65X714	GARLK	473229	65X714	GARLK	473229
65X708	GARLK	471821!	65X715	GARLK	470682*	65X715	GARLK	470682*
65X71	GARLK	471551!	65X716	GARLK	470682*	65X716	GARLK	470682*
65X712	GARLK	473229	65X717	GARLK	470682	65X717	GARLK	470682
65X713	GARLK	473229	65X718	GARLK	471316	65X718	GARLK	471316
65X714	GARLK	473229	65X72	GARLK	471551!	65X72	GARLK	471551!
65X715	GARLK	470682*	65X720	GARLK	471316	65X720	GARLK	471316
65X716	GARLK	470682*	65X721	GARLK	473441*	65X721	GARLK	473441*
65X717	GARLK	470682	65X722	GARLK	473441*	65X722	GARLK	473441*
65X718	GARLK	471316	65X723	GARLK	473441	65X723	GARLK	473441
65X72	GARLK	471551!	65X724	GARLK	450273	65X724	GARLK	450273
65X720	GARLK	471316	65X725	GARLK	450273	65X725	GARLK	450273
65X721	GARLK	473441*	65X726	GARLK	450273	65X726	GARLK	450273
65X722	GARLK	473441*	65X732	GARLK	451817	65X732	GARLK	451817
65X723	GARLK	473441	65X733	GARLK	450065*	65X733	GARLK	450065*
65X724	GARLK	450273	65X734	GARLK	450065*	65X734	GARLK	450065*
65X725	GARLK	450273	65X735	GARLK	450065*	65X735	GARLK	450065*
65X726	GARLK	450273	65X739	GARLK	482253*	65X739	GARLK	482253*
65X732	GARLK	451817	65X740	GARLK	482253*	65X740	GARLK	482253*
65X733	GARLK	450065*	65X741	GARLK	482253	65X741	GARLK	482253
65X734	GARLK	450065*	65X742	GARLK	451469*	65X742	GARLK	451469*
65X735	GARLK	450065*	65X743	GARLK	451469	65X743	GARLK	451469
65X739	GARLK	482253*	65X744	GARLK	451469	65X744	GARLK	451469
65X740	GARLK	482253*	65X751	GARLK	450274	65X751	GARLK	450274
65X741	GARLK	482253	65X753	GARLK	450274	65X753	GARLK	450274
65X742	GARLK	451469*						

Zero Duplication or Recommended		Zero Duplication or Recommended		Zero Duplication or Recommended		Zero Duplication or Recommended		
Mfr. No.	Name	Industrial	Mfr. No.	Name	Industrial	Mfr. No.	Name	
65X77	GARLK	471532*	65X910	GARLK	470334!	6600692-00	EATON	416362
65X770	GARLK	473010	65X911	GARLK	470334!	660079E	SPG	712135
65X771	GARLK	473010	65X912	GARLK	470334!	6600S	SPG	6597S
65X772	GARLK	473232	65X913	GARLK	472179	6601000	LF-PT	471688
65X773	GARLK	473232	65X914	GARLK	472179	6602556	EATON	417283
65X774	GARLK	473232	65X915	GARLK	472179	660389	CLARK	472179
65X775	GARLK	481864	65X916	GARLK	473447	66038R91	IH	471224
65X776	GARLK	481864	65X917	GARLK	473447*	660469R91	IH	472439
65X777	GARLK	481864	65X918	GARLK	473447	660496	CLARK	471766
65X778	GARLK	474274	65X919	GARLK	470334!	6605	ALOY	2689S
65X779	GARLK	474274	65X919	GARLK	50289	66051	VIC	471442!
65X78	GARLK	471532	65X92	GARLK	471255!	66054	CATER	473467!
65X780	GARLK	474274	65X920	GARLK	470334!	6606	ALOY	8871
65X781	GARLK	450275	65X920	GARLK	50289	6609	C-R	17X27X7
65X782	GARLK	450275	65X921	GARLK	470334!	6610	C-R	17X28X7!
65X783	GARLK	450275	65X921	GARLK	50289	6610	C-R	221710
65X787	GARLK	473444	65X922	GARLK	471141!	66101	VIC	471255!
65X788	GARLK	473444	65X923	GARLK	471141!	661021	HU-WR	472924!
65X789	GARLK	473444	65X924	GARLK	471141!	6611	C-R	17X28X7V!
65X79	GARLK	473405*	65X925	GARLK	473448	6611	C-R	221710
65X7953	GARLK	415577*	65X926	GARLK	473448	661185R91	IH	474256
65X7973	GARLK	55329* =	65X927	GARLK	473448	6612	C-R	17X28X7V
65X80	GARLK	473405	65X928	GARLK	471984*	66121	TROS	6815
65X80X8	FORSH	65X80X8	65X929	GARLK	471984*	66122S	TROS	9150S
65X80X8	SIMRT	65X80X8	65X93	GARLK	471564	66123	GRAY	450084!
65X80X8SC	TRSCM	65X80X8	65X930	GARLK	471984	66123	TROS	472258!
65X80X8TC	TRSCM	65X80X8	65X931	GARLK	473313	66124	GRAY	411253!
65X81	GARLK	471558	65X932	GARLK	473313	66126	GRAY	471137
65X82	GARLK	471558*	65X933	GARLK	473313	66126	VIC	470954!
65X829	GARLK	473445*	65X94	GARLK	471564*	66126K4	GE	470954!
65X830	GARLK	473445	65X940	GARLK	50266*	6612S	TIMKE	6612S
65X831	GARLK	473445*	65X941	GARLK	50266*	6613	ALOY	9049
65X835	GARLK	473234	65X942	GARLK	50266	66135	VIC	471554!
65X836	GARLK	473234	65X943	GARLK	450269*	661350R91	IH	471341!
65X837	GARLK	473234	65X944	GARLK	450269*	6614	C-R	17X28X7!
65X838	GARLK	473235!*	65X945	GARLK	450269	6614	C-R	221710
65X839	GARLK	473235!*	65X946	GARLK	450285*	66140	VIC	471643!
65X840	GARLK	473235!	65X947	GARLK	450285*	6615	C-R	17X29X7
65X841	GARLK	474265	65X948	GARLK	450285	661504	CLARK	417621!
65X842	GARLK	474265	65X949	GARLK	471866!*	661875R91	IH	204002
65X843	GARLK	474265	65X95	GARLK	471612	661876R91	IH	204002
65X844	GARLK	473236!*	65X950	GARLK	471866!*	66193	VIC	471267!
65X845	GARLK	473236!*	65X951	GARLK	471866!	66196	VIC	471570!
65X846	GARLK	473236!	65X95X10AN	ISP	65X95X7	662	C-R	5MR1008
65X853	GARLK	473446	65X97	GARLK	481528	6620	ALOY	1209
65X854	GARLK	473446	65X9722	GARLK	470625!	6620	C-R	17X30X7!
65X855	GARLK	473446*	65X976	GARLK	472070*	6620	C-R	221720
65X859	GARLK	471981	65X977	GARLK	472070*	66201S	TROS	9116S
65X85X10SC	TRSCM	65X85X10	65X978	GARLK	472070	662027	CLARK	412871!
65X85X10TC	TRSCM	65X85X10	65X979	GARLK	471866!	66202S	TROS	9195S =
65X85X8AN	ISP	65X85X8	65X98	GARLK	481528	66203	TROS	9049
65X860	GARLK	471981	65X980	GARLK	471866!	66203	TROS	9049N
65X861	GARLK	471981	65X981	GARLK	471866!	662066R91	IH	415303!
65X87	GARLK	471466!	65X982	GARLK	473449	6622	ALOY	8871
65X88	GARLK	471466!	65X983	GARLK	473449	6622	C-R	221720
65X88X10SC	TRSCM	65X88X10	65X984	GARLK	473449	6622	C-R	481481
65X88X10TC	TRSCM	65X88X10	65X987	GARLK	480281!	66220	TROS	9161
65X88X8AN	ISP	65X88X8	65X988	GARLK	450269*	662316L	C-R	6245S =
65X898	GARLK	471504!	65X989	GARLK	450269*	6624	C-R	17X30X7!
65X899	GARLK	471504!	65X990	GARLK	450269*	6624	C-R	221720
65X900	GARLK	471504!	65X991	GARLK	473450	66240	C-R	417298
65X904	GARLK	472164!	65X992	GARLK	473450	66241	C-R	417298
65X905	GARLK	472164*	65X993	GARLK	473450	66242	VIC	472311!
65X906	GARLK	472164!	660	GARLK	451857	66245	VIC	471224!
65X907	GARLK	472185!	6600097	EATON	415327	66247	VIC	471649!
65X908	GARLK	472185!	660009700	EATON	415327	66249	DGASK	13069
65X909	GARLK	472185!	6600140	EATON	415551	6625	C-R	17X30X7V
65X90X10SC	TRSCM	65X90X10!	660014000	EATON	415551	662535	ALLCH	471272!
65X90X10TC	TRSCM	65X90X10!	6600282	EATON	8907	662548	GMC	470565 =
65X90X13SC	TRSCM	65X90X13	660028200	EATON	8907	662573C1	IH	JV1550 =
65X90X13TC	TRSCM	65X90X13	6600580	EATON	415035	6626	C-R	17X30X7V
65X91	GARLK	471255!	6600692	EATON	416362	662654	CLARK	417316!
6600692-00	EATON	416362	660079E	SPG	712135	6626S	TIMKE	6626S
6600S	SPG	6597S	662902	CLARK	415449!	66280	C-R	417298
6601000	LF-PT	471688	662D316-L	C-R	6245S =	662902	CLARK	415449!
6602556	EATON	417283	663	C-R	5MR1009	6630	C-R	17X32X7!
660389	CLARK	472179	6630	C-R	221730	6630	C-R	221730
66038R91	IH	471224	663004R91	IH	204013	663041R91	IH	474256
660469R91	IH	472439	663042R91	IH	471341!	663043R91	IH	415697!
660496	CLARK	471766	663043R91	IH	455547	663044R91	IH	414045!
6605	ALOY	2689S	663044R91	IH	472439	663045R91	IH	472439
66051	VIC	471442!	66308	DGASK	13338	66318	VIC	476838!
66054	CATER	473467!	66318	VIC	476838!	6633	C-R	17X32X7!
6606	ALOY	8871	6633	C-R	221730	663325	US-EL	472341!
6609	C-R	17X27X7	663325	US-EL	472341!	663379	VIC	370006A
6610	C-R	17X28X7!	663379	VIC	370006A	663379	WHITE	370006A
66101	VIC	471255!	663379D6	DIA	370006A	663379	WHITE	370006A
661021	HU-WR	472924!	6633R	JN-MN	417603!	66340S	TROS	9342S
6611	C-R	17X28X7V!	66340S	TROS	9342S	663414	C-R	55501 =
6611	C-R	221710	663414	C-R	55501 =	663424	C-R	455375 =
661185R91	IH	474256	663424	C-R	455375 =	663476	GMC	370012A
6612	C-R	17X28X7V	663476	GMC	370012A	663477	GMC	418028
66121	TROS	6815	663478	GMC	370005A	663480	GMC	370021A
66122S	TROS	9150S	663480	GMC	370021A	663482	GMC	370007A
66123	GRAY	450084!	663482	GMC	370007A	663484	GMC	471734
66123	TROS	472258!	663484	GMC	471734	663485	GMC	370005A
66124	GRAY	411253!	663485	GMC	370005A	663486	GMC	370021A
66126	GRAY	471137	663486	GMC	370021A	663487	GMC	417505
66126	VIC	470954!	663487	GMC	417505	663512	B-L-H	415938
66126K4	GE	470954!	663512	B-L-H	415938	663512	C-R	415938
6612S	TIMKE	6612S	663512	MINMA	415938	663512A	BUC-E	415938
6613	ALOY	9049	663512A	BUC-E	415938	663512M1	C-R	415938
66135	VIC	471554!	663520	C-R	417555!	663520	C-R	417555!
661350R91	IH	471341!	663520M1	C-R	417555!	663524	C-R	415447
6614	C-R	17X28X7!	663524	C-R	415447	663528	C-R	55392 =
6614	C-R	221710	663528	C-R	55392 =	663566R91	IH	473215!
66140	VIC	471643!	663566R91	IH	473215!	663567R91	IH	415379!
6615	C-R	17X29X7	663567R91	IH	415379!	663567R91	IH	415379!
661504	CLARK	417621!	663568R91	IH	415379!	663568R91	IH	415379!
661875R91	IH	204002	663568R91	IH	415379!	6635S	TIMKE	6635S
661876R91	IH	204002	6635S	TIMKE	6635S	6635SS	JN-MN	470712!
66193	VIC	471267!	6635SS	JN-MN	470712!	663603	CHRYSS	450084!
66196	VIC	471570!	663603	CHRYSS	450084!	6636S	TIMKE	6636S
662	C-R	5MR1008	6636S	TIMKE	6636S	663729R91	IH	204017
6620	ALOY	1209	663729R91	IH	204017	6637S	SPG	3103!
6620	C-R	17X30X7!	6637S	SPG	3103!	66381D	IH	471554!
6620	C-R	221720	66381D	IH	471554!	663885R91	IH	472572!
66201S	TROS	9116S	663885R91	IH	472572!	663886R91	IH	473214
662027	CLARK							

Zero Duplication or Recommended Industrial		Zero Duplication or Recommended Industrial		Zero Duplication or Recommended Industrial		Zero Duplication or Recommended Industrial			
Mfr. No.	Name	Mfr. No.	Name	Mfr. No.	Name	Mfr. No.	Name		
6643S	TIMKE	6643S		66576	VIC	1981	66627	VIC	28X40X7!
6644	C-R	17X35X7		66578	VIC	1952	66628	VIC	222860
6644	TIMKE	6644		66579	VIC	1953	66628	VIC	28X47X7!
66440C1	IH	471442!		66579	VIC	42X60X7!	66629	VIC	28X52X7
664412	ALLCH	471507N=		6657S	SPG	7014S	66630	VIC	1970
66446	VIC	323138!		66580	VIC	1990	66630	VIC	30X42X7!
6645	C-R	17X36X7		66580	VIC	TCS45718	66631	VIC	30X47X7
6646	C-R	17X35X7V		66581	VIC	1963	66632	VIC	223035
66462	VIC	471276		66584	VIC	1943	66633	VIC	32X45X7
664631	SPICE	480210!		66585	VIC	42X55X8!	66635	VIC	223255
664657R91	IH	472164!		66587	VIC	228030	66635	VIC	32X52X7!
664658R91	IH	472164!		66587	VIC	80X110X10!	66636	VIC	223520
6647S	NATL	470954!		66587	VIC	80X110X12!*	66636	VIC	35X50X8!
6649	TIMKE	6649		66588	VIC	1012	66637	VIC	223542
6650	C-R	17X37X7		66588	VIC	1012N	66637	VIC	35X55X11!
66500	VIC	1012		66588	VIC	45X62X8!	66638	VIC	223830
66500	VIC	1012N		66589RS	VIC	88179	66638	VIC	223831
66501	VIC	224045		66590RS	VIC	16204	66638	VIC	38X55X7!
66501	VIC	40X62X12!		66590RS	VIC	88199	66639	VIC	223840
66502	VIC	1174		66590RS	VIC	99199!	66639	VIC	38X58X8!
66503	VIC	1165		66591RS	VIC	99193	6663R	JN-MN	415227!*
66504	VIC	1208		66592RS	VIC	16201	6663S	TIMKE	6663S
66504	VIC	48X72X7!		66592RS	VIC	88218	66640	VIC	38X62X7
66505	VIC	1967		66592RS	VIC	99218!	666408	WHITE	80313
66506	VIC	1165		66593RS	VIC	16200	66642	VIC	224045
66507	VIC	1969		66593RS	VIC	99225	66642	VIC	40X62X12!
66507	VIC	224831		66594RS	VIC	16208	66643	VIC	42X55X8!
66507	VIC	48X63X9!		66594RS	VIC	99174	66644	VIC	224250
66508	VIC	1208		66595RS	VIC	88187	66644	VIC	42X62X8!
66508	VIC	48X72X7!		66595RS	VIC	99187!	66645	VIC	1992
66509	VIC	1209		66596RS	VIC	88187	66645	VIC	45X65X8!
66509	VIC	225010		66596RS	VIC	99187!	66647	VIC	225035
66509	VIC	50X65X8!		66597RS	VIC	16202	66647	VIC	50X72X8!
66510	VIC	1217		66597RS	VIC	88176	66648	VIC	55X72X8!
66511	VIC	1195		66597RS	VIC	99176!	66649	VIC	55X80X8
66512	VIC	223840		66598RS	VIC	16205	6665	C-R	17X42X7
66512	VIC	38X58X8!		66598RS	VIC	88233	66650	VIC	226020
66513	VIC	223840		66598RS	VIC	99233!	66650	VIC	60X80X8!
66513	VIC	38X58X8!		66599RS	VIC	99212	66651	VIC	60X85X8
66514	VIC	224560*		6659R	JN-MN	471820	66652	VIC	226520
66514	VIC	320564*		6660	C-R	17X40X7	66653	VIC	65X90X10!
66514	VIC	45X68X7!*		66600RS	VIC	88199	66653R91	IH	203007=
66514	VIC	710345		66601RS	VIC	16203	66654	VIC	227040
66515	VIC	222510		66601RS	VIC	88186	66654	VIC	70X90X10!
66515	VIC	25X35X7!		66602RS	VIC	99162	66655	VIC	70X95X13
66516	VIC	224015		66604RS	VIC	99149	666552R91	IH	472070
66517	VIC	224820		66605RS	VIC	99250	666553R91	IH	450165
66517	VIC	48X62X8!		66606RS	VIC	99274	666553R91	IH	471801!
66519	VIC	55X82X12!		66609	VIC	10X22X7	66656	VIC	75X95X10
66520	TROS	473473		6661	C-R	17X40X7!	66657F	DIA	415137!
66520	VIC	1950		66613	VIC	12X30X7	66657F	DIA	418028
66521	VIC	224820		66614	VIC	15X26X7	66657J	DIA	416654
66521	VIC	48X62X8!		66615	VIC	15X30X7!	66657M	DIA	417159
66522	VIC	224210		66615	VIC	221540	66658	VIC	228009
66522	VIC	42X55X8!		66616	VIC	15X35X7	66658	VIC	228010*
66523	VIC	1955		66618	VIC	18X30X7!	66658	VIC	80X100X10!
66523	VIC	52X65X9!		66618	VIC	221820	66658J	DIA	416282
66524	VIC	1960		66619	VIC	18X35X7	66659	VIC	85X110X12
66525	VIC	1959		6662	C-R	17X40X7!	66660	VIC	85X120X12
66526	VIC	224820		66620	VIC	20X35X7!	66661	VIC	90X120X12
66526	VIC	48X62X8!		66620	VIC	222030	66662	VIC	95X120X12
66527	VIC	1956		66621	VIC	20X40X7!	66662R91	IH	472070
66527	VIC	224820*		66621	VIC	222050	66662R91	IH	203007=
66527	VIC	48X62X8!		66622	VIC	222220	66663	VIC	100X125X12
66528	VIC	58X72X8		66622	VIC	22X35X7!	66665	VIC	120X150X12!
66529	VIC	1174		66623	VIC	22X40X7	66666	VIC	130X160X12
66529	VIC	38X52X8.5!		66623	VIC	TCS45434	66667	VIC	145X170X12!
6653	C-R	17X37X7		66624	VIC	222540	66667	VIC	231404
66530	VIC	1174		66624	VIC	25X40X7!	66669	VIC	160X190X15
66530	VIC	38X52X8.5!		66625	VIC	25X47X7	6666LA	JN-MN	450474*
66531	VIC	1187		66626	VIC	25X52X7!	66670	VIC	170X200X15
66531	VIC	47X68X10!		66627	VIC	222820	66671	VIC	180X210X15
66532	VIC	1994		66576	VIC	1981	66627	VIC	28X40X7!
66532	VIC	48X70X9!		66578	VIC	1952	66628	VIC	222860
665335R91	IH	470334!		66579	VIC	1953	66628	VIC	28X47X7!
66535	VIC	223830		66579	VIC	42X60X7!	66629	VIC	28X52X7
66535	VIC	38X55X7!		6657S	SPG	7014S	66630	VIC	1970
665353R91	IH	470334!		66580	VIC	1990	66630	VIC	30X42X7!
665355R91	IH	470334!		66580	VIC	TCS45718	66631	VIC	30X47X7
66536	VIC	1977		66581	VIC	1963	66632	VIC	223035
66536	VIC	224820		66584	VIC	1943	66633	VIC	32X45X7
66536	VIC	48X62X8!		66585	VIC	42X55X8!	66635	VIC	223255
66537	VIC	1183		66587	VIC	228030	66635	VIC	32X52X7!
66537	VIC	42X55X8!		66587	VIC	80X110X10!	66636	VIC	223520
66538	VIC	1973		66587	VIC	80X110X12!*	66636	VIC	35X50X8!
66538	VIC	1977		66588	VIC	1012	66637	VIC	223542
66539	VIC	1174		66588	VIC	1012N	66637	VIC	35X55X11!
66539	VIC	38X52X8.5!		66588	VIC	45X62X8!	66638	VIC	223830
66540	VIC	1188		66589RS	VIC	88179	66638	VIC	223831
66540	VIC	224820*		66590RS	VIC	16204	66638	VIC	38X55X7!
66540	VIC	48X62X8!		66590RS	VIC	88199	66639	VIC	223840
66540	VIC	710322		66590RS	VIC	99199!	66639	VIC	38X58X8!
66540S	TROS	8935S		66591RS	VIC	99193	6663R	JN-MN	415227!*
66541	VIC	1973		66592RS	VIC	16201	6663S	TIMKE	6663S
66541	VIC	48X65X10!		66592RS	VIC	88218	66640	VIC	38X62X7
66541S	TROS	473234!		66592RS	VIC	99218!	666408	WHITE	80313
66542	VIC	1128		66593RS	VIC	16200	66642	VIC	224045
66543	VIC	224235		66593RS	VIC	99225	66642	VIC	40X62X12!
66543	VIC	42X58X7!		66594RS	VIC	16208	66643	VIC	42X55X8!
66544	VIC	224045		66594RS	VIC	99174	66644	VIC	224250
66544	VIC	40X62X12!		66595RS	VIC	88187	66644	VIC	42X62X8!
66545	VIC	1181		66595RS	VIC	99187!	66645	VIC	1992
66545	VIC	41X56X7!		66596RS	VIC	88187	66645	VIC	45X65X8!
66546	VIC	224270		66596RS	VIC	99187!	66647	VIC	225035
66546	VIC	42X72X10!		66597RS	VIC	16202	66647	VIC	50X72X8!
66547	VIC	1974		66597RS	VIC	88176	66648	VIC	55X72X8!
66548	VIC	32X47X7!		66597RS	VIC	99176!	66649	VIC	55X80X8
66548	VIC	3476		66598RS	VIC	16205	6665	C-R	17X42X7
66549	VIC	1962		66598RS	VIC	88233	66650	VIC	226020
66549F	DIA	410102		66598RS	VIC	99233!	66650	VIC	60X80X8!
6655	C-R	17X38X7		66599RS	VIC	99212	66651	VIC	60X85X8
66550	VIC	1873		6659R	JN-MN	471820	66652	VIC	226520
66551	VIC	471192		6660	C-R	17X40X7	66653	VIC	65X90X10!
66552	VIC	224820		66600RS	VIC	88199	66653R91	IH	203007=
66553	VIC	224820		66601RS	VIC	16203	66654	VIC	227040
66553	VIC	48X62X8!		66601RS	VIC	88186	66654	VIC	70X90X10!
66554	VIC	472164!		66602RS	VIC	99162	66655	VIC	70X95X13
66555	VIC	473241		66604RS	VIC	99149	666552R91	IH	472070
66556	VIC	473234!		66605RS	VIC	99250	666553R91	IH	450165
66557	VIC	1110		66606RS	VIC	99274	666553R91	IH	471801!
66558	VIC	1110		66609	VIC	10X22X7	66656	VIC	75X95X10
66559	VIC	473454*		6661	C-R	17X40X7!	66657F	DIA	415137!
66559	VIC	473454!		66613	VIC	12X30X7	66657F	DIA	418028
66561	VIC	471224!		66614	VIC	15X26X7	66657J	DIA	416654
66562	VIC	223510		66615	VIC	15X30X7!	66657M	DIA	417159
66563	VIC	471870!		66615	VIC	221540	66658	VIC	228009
66564	VIC	350936		66616	VIC	15X35X7	66658	VIC	228010*
66565	VIC	224045		66618	VIC	18X30X7!	66658	VIC	80X100X10!
66565	VIC	40X62X12!		66618	VIC	221820	66658J	DIA	416282
66566	VIC	482126		66619	VIC	18X35X7	66659	VIC	85X110X12
66568	VIC	40769S		6662	C-R	17X40X7!	66660	VIC	85X120X12
66569	VIC	473238!		66620	VIC	20X35X7!	66661	VIC	90X120X12
665691</									

Zero Duplication or Recommended Industrial		Zero Duplication or Recommended Industrial		Zero Duplication or Recommended Industrial		Zero Duplication or Recommended Industrial		
Mfr. No.	Name	Mfr. No.	Name	Mfr. No.	Name	Mfr. No.	Name	
66672	VIC	190X220X16	66742	VIC	1012N	66791	VIC	1965
66686	VIC	6X16X7	66743	VIC	1992	66792	VIC	1216
66687	VIC	6X22X7	667434	ALLCH	417210!	66792	VIC	1216N
66688	VIC	1952	66744	VIC	226480	66793	VIC	222430
6668S	TIMKE	6668S	66744	VIC	64X80X8!	66793	VIC	24X40X7!
66690	VIC	BS25031	66745	VIC	1906	66794	VIC	225230
66691	VIC	710205	66746	VIC	710189	66794	VIC	52X72X8!
66693	VIC	223430	66747	VIC	223520	66796	VIC	1996
66693	VIC	710417	66747	VIC	35X50X8!	66797	VIC	450273
66696	VIC	224025	66747	VIC	3771	66798	VIC	224470
66697	VIC	472492!	66748	VIC	228010	66798	VIC	44X72X10!
666973C1	IH	417158* =	66748	VIC	80X100X10!	66799	VIC	223620
66699	VIC	224020	66748	VIC	BS40252	66799	VIC	36X68X10!
66699	VIC	40X55X8!	66749	VIC	1177	6679LA	JN-MN	473227
6669LA	JN-MN	417316!	6675	C-R	17X46X7	6679LPD	JN-MN	473227
6670	C-R	17X45X7*	66750	VIC	225420	6679LUP	JN-MN	473227!
66701	VIC	223830	66751	VIC	1955	6680	C-R	17X47X7!
66701	VIC	38X55X7!	66751	VIC	52X65X9!	6680	C-R	17X47X8
66703	VIC	3772	66752	VIC	1176	668002	ATLAS	6815
66704	VIC	1021V	66753	VIC	2002	668004	AT SU	473317
66704	VIC	BS40265	66754	VIC	223520!	668009	AT SU	9150S
66707	VIC	229005	667567R91	IH	200886	668011	AT SU	7934S
66707	VIC	229006*	66757	VIC	1981	668015	AT SU	8705S
66708	VIC	239146	66758	VIC	1979	668015	ATLAS	8705S
66708	VIC	38X54X7!	66759	VIC	334111	668016	AT SU	9406S
66709	VIC	1973	667591R91	IH	472572!	668021	ATLAS	8871
66710	VIC	224462	667599R91	IH	200886	668024	AT SU	292594
66711	VIC	222510	66760	VIC	2011	668025	ATLAS	5121
66711	VIC	25X35X7!	66760	VIC	712020	668026	ATLAS	3087
66712	VIC	473367	66761	VIC	1884	668029	ATLAS	8974S
66713	VIC	1213N	66762	VIC	1979*	668034	AT SU	1196
66714	VIC	1994	66763	VIC	30X48X8!	668034	ATLAS	1198
66714	VIC	48X70X9!	66764	VIC	1174	668035	AT SU	224015
66715	VIC	1214	66764	VIC	38X52X8.5!	668035	ATLAS	224015
66715	VIC	1214N	66765	VIC	32X58X8!	668036	AT SU	1950
66716	VIC	1174	66766	VIC	223555	668036	ATLAS	1950
66716	VIC	38X52X8.5!	66766	VIC	35X64X8!	668037	AT SU	1188
66717	VIC	1960	667663	Y-T	J1114=	668037	ATLAS	1188
66718	VIC	224520	66767	VIC	1173	668038	AT SU	1183
66718	VIC	45X60X10!	66768	VIC	2016	668038	ATLAS	1183
66719	VIC	225275	66769	VIC	1167	668039	ATLAS	3357
6671LA	JN-MN	417541	66770	VIC	224040	66804	VIC	223275
6671LUP	JN-MN	417541	66770	VIC	42X60X7!	66804	VIC	32X56X10!
66720	VIC	55X70X8!	66771	VIC	1884	668042	AT SU	710127
66721	VIC	1999	66771	VIC	52X68X8!	668043	AT SU	710108
66723	VIC	239127	66772	VIC	341119	668044	AT SU	710129
66724	VIC	239128	66773	VIC	226520	66805	VIC	224570
66725	VIC	239129	66773	VIC	65X85X10!	66805	VIC	45X72X7!
66726	VIC	225230	66774	VIC	224045	66806	VIC	1108
66726	VIC	52X72X8!	66774	VIC	40X62X12!	66806	VIC	1215
66727	VIC	225420	66775	VIC	1012	66806	VIC	1215N*
66727	VIC	54X72X10!	66775	VIC	1012N	66807	VIC	1987
66728	VIC	1984	66776	VIC	1163=	66807	VIC	TCS45424
66729	VIC	1948	66776	VIC	20X30X7!	66809	VIC	1936
66729	VIC	55X82X12!	66776	VIC	222025	6681	C-R	17X47X8
667293	Y-T	473238!	66777	VIC	1174	66812	VIC	2003N!
66730	VIC	226285	66777	VIC	38X52X7!	66813	VIC	444116
66730	VIC	62X85X8!	66778	VIC	222745	668138M1	MASSE	473016!
66731	VIC	710145	66778	VIC	27X45X8!	66818	VIC	1172
66732	VIC	1959	66779	VIC	223240	66819	VIC	50X80X8
66733	VIC	224820	6677LA	JN-MN	455685	66821	VIC	1985
66733	VIC	48X62X8!	66780	VIC	1981	66822	VIC	40X58X10!
66734	VIC	1943	66781	VIC	224560	66823	VIC	223580
66734	VIC	224570	66781	VIC	45X68X7!	66824	VIC	2008
66734	VIC	45X72X12!	66782	VIC	9161	66824	VIC	32X54X10!
66735	VIC	224015	66783	VIC	223014	66825	VIC	2011
66737	VIC	224835	66784	VIC	1953	66826	VIC	1990
66737	VIC	48X68X10!	66784	VIC	42X60X7!	66827	VIC	1215
66738	VIC	415303!*	66785	VIC	2007N	66827	VIC	1215N
66741	VIC	225005	66787	VIC	350609	66828	VIC	223240
66741	VIC	50X62X7!	66788	VIC	12X22X7!	66828	VIC	32X48X8!
66742	VIC	1012	66788	VIC	221207	66829	VIC	224320

! Industrial Size/Type * Minor Width Difference = Call 1-800-480-1212 for price and delivery.

NUMERICAL

Zero Duplication or Recommended Industrial		Zero Duplication or Recommended Industrial		Zero Duplication or Recommended Industrial		Zero Duplication or Recommended Industrial					
Mfr. No.	Name	Mfr. No.	Name	Mfr. No.	Name	Mfr. No.	Name				
66897	VIC	16X24X7	66979	VIC	710348	66X149	GARLK	471684!	66X2543	GARLK	417357
66898	VIC	221610	66980	VIC	221720	66X1492	GARLK	472636!	66X2546	GARLK	416130!
668M316-L	C-R	62455=	66981	VIC	471413!	66X1498	GARLK	412920!	66X2555	GARLK	415041
66902	VIC	224570	66982	VIC	3476	66X1504	GARLK	411376!	66X2657	GARLK	416556!
66902	VIC	45X72X7!	66984	VIC	1181	66X151	GARLK	450033	66X2657	GARLK	472157
66903	VIC	710070	669846	ALLCH	413246	66X153	GARLK	470390	66X2663	GARLK	416891!
66904	VIC	1180	669847	ALLCH	471529	66X1654	GARLK	413246	66X2753	GARLK	416888!
66905	VIC	223802	66985	VIC	3771	66X1657	GARLK	412119!	66X2756	GARLK	416153!
66908	VIC	710331	66985	VIC	713771	66X1660	GARLK	413247!	66X289	GARLK	473380*
66909	VIC	223540	66986	VIC	228008	66X1666	GARLK	416271!	66X3125	GARLK	455576!
66909	VIC	223542*	66986	VIC	BS40535	66X1669	GARLK	412861	66X3128	GARLK	415938
66909	VIC	35X55X11!	66987	VIC	710234	66X1678	GARLK	417480!	66X323	GARLK	471651
66911	VIC	224210	66988	VIC	710233	66X1723	GARLK	471887	66X325	GARLK	471705!
66916	VIC	1937	66988	VIC	TCS45745	66X1738	GARLK	411500	66X327	GARLK	473419!
66917	VIC	224772	6698R	JN-MN	415116	66X1747	GARLK	411245!	66X3275	GARLK	417362!
66918	VIC	320595	66991	VIC	1217	66X1750	GARLK	417073	66X3278	GARLK	417363
66919	VIC	1937	66991	VIC	TCS45786	66X1801	GARLK	472029	66X3281	GARLK	416666
66920	VIC	27X42X10	66992	VIC	1987	66X1807	GARLK	471271!	66X333	GARLK	471762!
66921	VIC	18X28X6	66993	VIC	1174	66X1813	GARLK	470605!	66X335	GARLK	472810!
66924	VIC	1939	66994	VIC	225650	66X1819	GARLK	415449!	66X352	GARLK	471652
66925	C-R	170X200X15*	66995	VIC	473823	66X1825	GARLK	416273	66X355	GARLK	476838!
66925	VIC	1174	66996	VIC	710070	66X1888	GARLK	455311*	66X357	GARLK	470712!
66925	VIC	38X52X7!	66997	VIC	226530	66X1933	GARLK	413248	66X359	GARLK	471763
66926	VIC	710097	66998	VIC	224400	66X1939	GARLK	415483	66X361	GARLK	471785!
66928	VIC	1140	66999	VIC	710069	66X1945	GARLK	415458!	66X383	GARLK	472475
66928	VIC	223580	6699R	JN-MN	417601	66X1948	GARLK	417343!	66X384	GARLK	472475
66929	VIC	223543!	66A	FORD	472705!	66X1951	GARLK	415007	66X385	GARLK	473426
66930	C-R	170X200X15	66X1042	GARLK	472439	66X2035	GARLK	416664!	66X387	GARLK	471765!
66930	VIC	710111	66X1045	GARLK	471868	66X2038	GARLK	417484!	66X3872	GARLK	471747!
66931	VIC	223801!	66X1048	GARLK	472572!	66X2041	GARLK	415984!	66X3880	GARLK	471344
66932	VIC	710332	66X1051	GARLK	473179!	66X2044	GARLK	417316!	66X3883	GARLK	473442!
66940	VIC	239146	66X1057	GARLK	473238	66X2047	GARLK	415960	66X394	GARLK	473205
66940	VIC	38X54X7!	66X1063	GARLK	473239!	66X2050	GARLK	416706!	66X424	GARLK	471750!
66941	VIC	227530	66X1066	GARLK	473457!	66X2118	GARLK	417344!	66X427	GARLK	471766!
66941	VIC	716445	66X1069	GARLK	473240!	66X2121	GARLK	417158!	66X430	GARLK	471787!
66942	VIC	224840	66X1075	GARLK	473458!	66X213	GARLK	471267!	66X436	GARLK	471795
66946	VIC	710148	66X1114	GARLK	472319	66X2146	GARLK	416956	66X439	GARLK	450165
66947	VIC	473677	66X1117	GARLK	473459	66X2152	GARLK	416654!	66X439	GARLK	471801!
66948	VIC	225030	66X1120	GARLK	473241	66X2168	GARLK	417349!	66X442	GARLK	471808!
66949	VIC	710072	66X1129	GARLK	472144!	66X217	GARLK	471633!*	66X451	GARLK	473424!
66950	VIC	1936	66X113	GARLK	471553!	66X2171	GARLK	417350!	66X4802	GARLK	450545
66952	VIC	1217	66X1132	GARLK	473460	66X2174	GARLK	415995!	66X4965	GARLK	451031=
66952	VIC	224015*	66X1135	GARLK	472394	66X2174	GARLK	415995!	66X535	GARLK	470774!
66953	VIC	2025	66X115	GARLK	471579	66X2177	GARLK	417351!	66X541	GARLK	471192
669530R91	IH	412119!	66X119	GARLK	471642	66X221	GARLK	470590	66X544	GARLK	473214
66954	VIC	716102	66X1198	GARLK	472924!	66X2249	GARLK	456105	66X547	GARLK	473215!
66954	VIC	85X105X13!	66X1204	GARLK	472397!	66X2257	GARLK	455336	66X550	GARLK	470950!
66955	VIC	1036	66X1207	GARLK	473463	66X2261	GARLK	417490	66X550	GARLK	6241S
66956	VIC	1146	66X1210	GARLK	473242	66X2267	GARLK	455022	66X556	GARLK	471835!
66957	VIC	1126	66X1252	GARLK	451948	66X227	GARLK	481741=	66X592	GARLK	473224!
66958	VIC	239201!	66X1270	GARLK	416738!	66X2270	GARLK	476470!	66X595	GARLK	473016!
66958	VIC	4175	66X1270	GARLK	450096	66X2270	GARLK	476470	66X598	GARLK	473225!
66959	VIC	474133	66X1321	GARLK	470898=	66X2273	GARLK	417181!	66X643	GARLK	470625!
6696	SPG	417355!	66X1324	GARLK	473467	66X2276	GARLK	418028	66X645	GARLK	471818
6696	SPG	485497	66X1327	GARLK	472015!	66X2279	GARLK	417353!	66X655	GARLK	473228
66960	VIC	32X47X7!	66X1333	GARLK	472016	66X2294	GARLK	455328	66X664	GARLK	473440!
66960	VIC	3476	66X1339	GARLK	472409!	66X2366	GARLK	415991	66X6658	GARLK	471276*
66962	VIC	710215	66X1345	GARLK	473243	66X2366	GARLK	415991!	66X700	GARLK	472213
66963	VIC	1176	66X1357	GARLK	416267!	66X2369	GARLK	417196!	66X703	GARLK	472299
66966	VIC	222556	66X1357	GARLK	456267=	66X2375	GARLK	417198	66X706	GARLK	471821!
66967	VIC	222267	66X1402	GARLK	472018	66X2417	GARLK	416332!	66X712	GARLK	473229
66968	VIC	225020	66X1405	GARLK	473471	66X2420	GARLK	415937!	66X7126	GARLK	470596*
6696S	NATL	417355!	66X1408	GARLK	472020	66X2426	GARLK	416125!	66X715	GARLK	470682
6696S	NATL	485497	66X1414	GARLK	470354	66X2432	GARLK	417499	66X7164	GARLK	473455!
66970	VIC	70X95X13	66X1420	GARLK	473245!	66X2433	GARLK	417355!	66X718	GARLK	471316
66972	VIC	229010	66X1426	GARLK	413472	66X2435	GARLK	415832	66X7249	GARLK	416127
66973	VIC	716102	66X1432	GARLK	416268	66X2438	GARLK	417500	66X7282	GARLK	470088
66974	HYST	323138!	66X145	GARLK	471498*	66X2462	GARLK	415379	66X739	GARLK	482253
66974	VIC	229005	66X1471	GARLK	471341!	66X2465	GARLK	417205!	66X760	GARLK	473231
66975	VIC	223510	66X1474	GARLK	471272!	66X2468	GARLK	416339	66X763	GARLK	473367
66977	VIC	228250	66X1480	GARLK	471138!	66X2537	GARLK	415035	66X763	GARLK	473367!
66977	VIC	710448	66X1486	GARLK	410737!	66X2540	GARLK	417356!	66X769	GARLK	473010

! Industrial Size/Type * Minor Width Difference = Call 1-800-480-1212 for price and delivery.

Zero Duplication or Recommended		Zero Duplication or Recommended		Zero Duplication or Recommended		Zero Duplication or Recommended		
Mfr. No.	Name	Mfr. No.	Name	Mfr. No.	Name	Mfr. No.	Name	
66X772	GARLK	473232	6704SS JN-MN	471076	67111 VIC	224015*	6720 C-R	3667
66X775	GARLK	481864	67052 VIC	223843	67111 VIC	224052*	67200 VIC	1012
66X787	GARLK	473444	67053 VIC	224045	67111 VIC	710308	67201 VIC	223552
66X7934	GARLK	55469*	67054 VIC	223553*	67115 VIC	710225	67204 VIC	224254
66X7941	GARLK	455509*	67054 VIC	4901	671151 CHRYS	415449!	67205 VIC	710255
66X8074	GARLK	471827!*	67055 VIC	224063	67116 VIC	1207	67208 VIC	1932
66X8081	GARLK	450819*	67057 VIC	221607	67116 VIC	1207N	67209 VIC	710236
66X826	GARLK	473233!	67058 VIC	710116	67117 VIC	1964	67211 VIC	223230
66X8342	GARLK	450557	67059 VIC	221620	67118 VIC	710150	67211 VIC	320348
66X8342	GARLK	471255!	67060 VIC	710297	67119 VIC	228410	67211 VIC	TCS45918
66X835	GARLK	473234	67061 VIC	1216	67120 VIC	229210	67212 VIC	710327
66X838	GARLK	473235!	67061 VIC	1216N	67121 VIC	228009	672138R91 IH	472015!
66X844	GARLK	473236!	67063 VIC	710051	67122 VIC	224650	67218 VIC	710072
66X859	GARLK	471981	67065 VIC	714503	67123 VIC	228009	67219 VIC	226530
66X899	GARLK	471504!	67066 VIC	223801!	67124 VIC	224015	67220 VIC	225877
66X907	GARLK	472185!	67067 VIC	221607	67128 VIC	222745	67222 VIC	224250
66X910	GARLK	470334!	67068 VIC	40X58X101*	67129 VIC	27X45X8!	67224 VIC	710313
66X913	GARLK	472179	67069 VIC	1990	6712N SPG	473179	672303 GMC	470059
66X922	GARLK	471141!	67070 VIC	222430	6712NA TIMKE	473179	672303 GMC	470380!
66X925	GARLK	473448	67071 VIC	1981	67130 VIC	223050	67231 VIC	226610
66X928	GARLK	471984	67072 VIC	223535	671308 GMC	411500	67232 VIC	710166
66X931	GARLK	473313	67073 VIC	223520!	67131 VIC	30X50X7	67233 VIC	223831
6700157	GMC	417210!	67074 VIC	2007N	67132 VIC	3476	67234 VIC	223410
67002 VIC		710093	67075 VIC	224066	67133 VIC	1180	67235 VIC	710170
6700209	GMC	417354!	670752 CHRYS	471827	67134 VIC	710092	67236 VIC	710165
67003 VIC		223550	67077 VIC	1213N	67136 VIC	712551	67237 VIC	224252
67004 VIC		225872	67078 VIC	710218	67137 VIC	1941	67242 VIC	472311
67005 VIC		1973	67079 VIC	222238	67138 VIC	224026	67245 VIC	471224
6700576	GMC	476591N=	67080 VIC	223014	67139 VIC	225673	67247 VIC	471649!
6700577	GMC	471766!	67083 VIC	80X125X12	67140 VIC	471643!	67251 VIC	16X24X6
67006 VIC		494123	67085 VIC	228520	67142 VIC	710156	67256C1 IH	416556!
67007 VIC		1213N	67085 VIC	85X110X12!	67143 VIC	4898	67256C1 IH	472157
67008 VIC		223542	67086 VIC	125X150X12!	67149 VIC	710112	67257 VIC	20X36X7
6700846	GMC	471567!	67086 VIC	231250	67150 VIC	229005*	67258 VIC	1932
67009 VIC		1975	67087 VIC	227550	67150 VIC	BS40598	67259 VIC	710109
67010 VIC		473677	67087 VIC	75X100X12!	67151 VIC	223800	67260 VIC	710110
670118	WHITE	370036A	67088 VIC	229520	67151 VIC	223801*	67262 VIC	224663
670118	WHITE	370349A	67088 VIC	95X130X12!	67154 VIC	710073	67264 VIC	2027
670142	ALLCH	473214!	67089 VIC	68X90X10!	67156 VIC	1935	67265 VIC	710248
670186	ALLCH	417349	67089 VIC	712108	67157 VIC	4899	67267 VIC	3459
67028 VIC		225082	67090 VIC	90X125X12	67158 VIC	225673	67272 VIC	1015N
67029 VIC		1205	67091 VIC	120X145X12!	67159 VIC	1993	67273 VIC	710259
67029 VIC		1205N	67091 VIC	231204	67160 VIC	710076	67274 VIC	226820
6702955	GMC	471472!	67092 VIC	110X140X12!	67161 VIC	225410	67277 VIC	710217
6702R	JN-MN	417780	67092 VIC	231108	67162 VIC	1174	67278 VIC	710094
6703077	GMC	417343=	67093 VIC	717006	67163 VIC	1928	6727LA JN-MN	473238
6703154	GMC	415995!	67094 VIC	140X170X15!	67164 VIC	224870	6728 C-R	17X27X7
6703159	EUCLD	471224!	67094 VIC	231405	67166 VIC	221922	67283 VIC	710127
6703159	GMC	471224!	67095 VIC	100X130X12!	67171 VIC	225275	67285 VIC	710125
67032 VIC		712008	67096 VIC	140X160X13!	67172 VIC	225678	67286 VIC	710108
67033 VIC		1216	67096 VIC	231402	67173 VIC	226150	67288 VIC	710107
67033 VIC		1216N	67098 VIC	474230	67174 VIC	710175	67289 VIC	710178
67035 VIC		1215	67099 VIC	717004	67175 VIC	710168	6728LA JN-MN	50419
67035 VIC		1215N	671 C-R	5MR1300	67176 VIC	710192	6729 C-R	17X27X7
67036 VIC		2011	67100 VIC	710090	67177 VIC	1953	67290 VIC	1177
67037 VIC		1216	67101 VIC	710085	671789	GMC 730034	67291 VIC	224872
67037 VIC		1216N	67102 VIC	710086	67179 VIC	1971	67292 VIC	224874
67039 VIC		221620	67103 VIC	710088	67180 VIC	710194	67292195 BUC-E	470059
6703S	TIMKE	6703S	67104 VIC	712003	67181 VIC	1974	67292195 BUC-E	470380!
6704	TIMKE	470712	67104 VIC	717004	67184 VIC	221510	67293 VIC	16X24X6
67040 VIC		222830	67105 VIC	710376	67186 VIC	710228	67299 VIC	224820
67041 VIC		222742	67106 VIC	120X150X12!	67187 VIC	1974	67301 VIC	223010
67042 VIC		710157	67106 VIC	231206	67188 VIC	224462	673013R91 IH	417343!
67043 VIC		710110	67107 VIC	710089	67189 VIC	710230	67308 VIC	710114
67044 VIC		224200	67108 VIC	710374	67190 VIC	225650	6730LA JN-MN	416888!
67045 VIC		710314	671084	GMC 472394	67191 VIC	710228	67321 VIC	710195
67046 VIC		224026	67109 VIC	717005	67192 VIC	225673	67322 VIC	2011
67047 VIC		224026	6710SS JN-MN	471646!	67193 VIC	471267!	67331 VIC	225110
67047 VIC		710300	6711 SPG	205004	67194 VIC	710226	67334 VIC	413818
67047 VIC		712551*	67110 VIC	225225	67195 VIC	710253	67335 VIC	710141
67048 VIC		1990	67110 VIC	52X70X8!	67198 VIC	710109	67336 VIC	1176
67049 VIC		2655	671101	GMC 473205	6719LA JN-MN	415072	67337 VIC	4898

! Industrial Size/Type * Minor Width Difference = Call 1-800-480-1212 for price and delivery.

NUMERICAL

Zero Duplication or Recommended Industrial		Zero Duplication or Recommended Industrial		Zero Duplication or Recommended Industrial		Zero Duplication or Recommended Industrial					
Mfr. No.	Name	Mfr. No.	Name	Mfr. No.	Name	Mfr. No.	Name				
67339	VIC	710140	67491	VIC	1037	67554	CINMI	472016	67738	DENCO	415995!
67340	VIC	223440	67497	VIC	223805	67557	C-R	416008	67742	DENCO	470898!
67345	VIC	34X52X8	6749LA	JN-MN	476470	67558	C-R	417549!	6774SH	JN-MN	474265
673467	GMC	730149	674D-641-H12	BENDI	415034!	6755898	GMC	412119	6775412	GMC	470712!
673468	GMC	HU149A	674D-641-H16	BENDI	416666	6755LA	JN-MN	471688*	6775516	GMC	415088=
67347	VIC	710124	675007R91	IH	450326	6755LPD	JN-MN	471688	6775628	GMC	415991
673472	BENDI	471354!	675008R91	IH	470565=	67560	VIC	710088	6775628	GMC	415991!
67351	VIC	223462	675009R91	IH	415389	6757	C-R	710344	677566	GMC	412119
67353	VIC	224040	6750156	GMC	416107!	6757264	GMC	471760	6775LA	JN-MN	471705!*
67356	VIC	710286	6750156	GMC	455073	6757463	GMC	416107!	6776197	GMC	415073H=
67359	VIC	224520	6750157	GMC	415192N	6757463	GMC	455073	6776197	SPICE	416107!
67360	VIC	710115	6750231	GMC	415437	6757751	GMC	416229	6778	EATON	.5MR7!
673600	GMC	473447	6750268	GMC	415041=	67580	VIC	25X62X10	6778050	GMC	415988
67366	VIC	223845	67504	VIC	45X70X10	675861C1	IH	JX1747	677812	CATER	472299=
67367	VIC	710122	6750415	GMC	415146!	675861C2	IH	JX1747	677812	TMTR	472299
67368	VIC	710139	6750415	GMC	415991	675896	CLARK	455330!	67790C2	IH	480630!
67370	VIC	40X72X7	6750426	GMC	471466!	6758LA	JN-MN	471272!	677917R91	IH	417198=
67371	VIC	224252	67505	VIC	224045	6759	C-R	471529	67806TA	TRSCM	416362
67374	VIC	224010	67507	VIC	223840	6759135	GMC	415991	6780S	TIMKE	417134
67378	VIC	710305	675097R91	IH	471554!	6759135	GMC	455146!	6781	TIMKE	6781
6738	C-R	471529	6751	C-R	471538	67598	VIC	TCS45870	6782	C-R	471538!
67381	VIC	710357	6751056	GMC	240736	6759S	TIMKE	6759S	678270	FLXIB	473215!
67383	VIC	225030	67512	VIC	224510	675H516	C-R	416107!	678270	GMC	473215!
673833R91	IH	473454	67515	C-R	415327*	675H516	C-R	455073	6783	C-R	471538!
673834R91	IH	472397!	675162R1	IH	JV1179=	675W516	C-R	416107!	6785	C-R	471538
673835R91	IH	415449!	675168R91	IH	200855	675W516	C-R	455073	6785	TIMKE	6785
67385	VIC	710071	67518	VIC	223400	676-D2	REO	370057A	678526C1	IH	5228*=
67386	VIC	226018	6751818	GMC	471341!	6760	C-R	471529	678527C1	IH	5199*=
67387	VIC	710169	67519	VIC	710305	676031C91	IH	5629	6786LA	JN-MN	450776!
67388	VIC	710144	6752035	GMC	471526!	676032R91	IH	472924!	678805	GMC	473010
67390	VIC	710400	67521	VIC	710266	6760S	TIMKE	6760S	678D5	WHITE	473231!
67393	VIC	65X80X8	6752372	GMC	415138!	676141	ALLCH	JX1190	679-D2	REO	370007A
67397	VIC	710156	6752373	GMC	416107!	676168M1	MASSE	473214	679001	GMC	370008A
67398	VIC	2027	6752373	GMC	455073	676169M1	MASSE	471766!	679002	GMC	370008A
673983	ALLCH	415349=	67524	VIC	60X75X8!	676182M1	MASSE	470950!	679007	GMC	370012A
674-D2	REO	370001A	675242	WHITE	415458!	676182M1	MASSE	6241S	679008	GMC	370012A
6740	C-R	471529*	67525	C-R	415327*	6761LA	JN-MN	410496!	6796LA	JN-MN	416666
67400	VIC	3816	6752S	NATL	412473!	6762	C-R	474261*	679752	CHRYS	471827
67402	VIC	221540	67530	C-R	415327	6762841	GMC	471442!	6797LA	JN-MN	415072*
67403	VIC	221720	67533	C-R	417596	6763	C-R	474261	67980	ALLCH	50501
67404	VIC	16X24X6	675334	CATER	415447	67631C1	IH	473232!	6798LA	JN-MN	417562
67405	VIC	221610	675346	GMC	417507	6764LA	JN-MN	55357	679918	GMC	417480!
67406	VIC	222535	6753849	GMC	417350!	6765	C-R	471538!	679939	GMC	415023
67408	VIC	222430	67543	VIC	710155	676593	GMC	252277	67X1048	GARLK	472572!
67409	VIC	222025!	67544	VIC	222410	676595	GMC	472015	67X1051	GARLK	473179!
6741	C-R	471529	675442	GMC	472015	6765R	JN-MN	417211!	67X1057	GARLK	473238
67410	VIC	222050	675443	GMC	3893V!	6766	C-R	471538!*	67X1063	GARLK	473239!
674105	ROCKW	455858	675443	GMC	415379!	6767	C-R	471538!	67X1099	GARLK	471529
674105	WHITE	455858	67547	VIC	225460	67675R92	IH	6532S=	67X111	GARLK	471538!
67411	VIC	20X35X7!	675473	ALLCH	410930=	6768	C-R	471538V	67X113	GARLK	471553!
674176C91	IH	452872=	6754947	GMC	415988	6768417	GMC	311189N=	67X115	GARLK	471579
674237	GMC	370007A	6755	C-R	417542	6768481	GMC	415138!	67X1186	GARLK	471870!
67424	VIC	20X35X7!	6755	FULLE	417082	676852R91	IH	413248	67X1189	GARLK	472492!
67427	VIC	223215	6755	SPG	416892	6769	C-R	471538V	67X1198	GARLK	472924!
67428	VIC	1170	67550	C-R	417596	676910	GMC	50631	67X1204	GARLK	472397!
6743	C-R	471529	67551	C-R	417596	67696R91	IH	415060	67X1321	GARLK	470898=
67430	VIC	710123	675512	C-R	417554!	67696R91	IH	455060	67X1324	GARLK	473467
67431	VIC	710118	675514	C-R	55357	676T5	WHITE	471224!	67X1327	GARLK	472015!
67432	VIC	1213N	675516	C-R	416107!	677	C-R	5M643	67X143	GARLK	471567!
67434	VIC	710208	675516	C-R	455073	677039X91	IH	476470=	67X147	GARLK	471643!
67435	VIC	710126	675516	CABOT	416107!	6771231	GMC	415995!	67X1471	GARLK	471341!
67438	VIC	710260	675516	CABOT	455073	677188	ALLCH	471787!	67X1474	GARLK	471272!
6743LA	JN-MN	417536	675516	MINMA	416107!	6771984	GMC	416426N=	67X1492	GARLK	472636!
67441	VIC	710173	675516	MINMA	455073	6771SS	JN-MN	471705!	67X1504	GARLK	411376!
67442	VIC	710239	675516M1	BUC-E	416107!	6772050	GMC	471554!	67X151	GARLK	450033
67448	VIC	710240	675516M1	BUC-E	455073	6772890	GMC	415991=	67X153	GARLK	470390
67451	VIC	710256	675516M1	C-R	416107!	6773186	EUCLD	415192N	67X159	GARLK	481443!
67452	VIC	710255	675516M1	C-R	455073	6773186	GMC	415192N	67X161	GARLK	481568!
67482	VIC	35X48X8!	67551WK	SUL	416107!	6773201	GMC	471224!	67X1639	GARLK	473474
67486	VIC	224850	67551WK	SUL	455073	6773249	GMC	472179	67X1654	GARLK	413246
67487	VIC	710343	675524	C-R	417362!	6773311	GMC	476424N	67X1666	GARLK	416271!
6749	C-R	471529	675528	C-R	55392=	6773466	GMC	415988=	67X1669	GARLK	412861

! Industrial Size/Type * Minor Width Difference = Call 1-800-480-1212 for price and delivery.

Zero Duplication or Recommended		Zero Duplication or Recommended		Zero Duplication or Recommended		Zero Duplication or Recommended	
Mfr. No.	Name	Mfr. No.	Name	Mfr. No.	Name	Mfr. No.	Name
67X1801	GARLK	6806	C-R	684783	CATER	6879	C-R
67X1807	GARLK	680622	ALLCH	6847S	TIMKE	687900	IH
67X1822	GARLK	6807	C-R	684806	ALLCH	6879H	NATL
67X1828	GARLK	6808	SPG	6848R	JN-MN	6879H	TIMKE
67X1834	GARLK	680842C91	IH	68509	DENCO	6879LA	JN-MN
67X2035	GARLK	680862C1	IH	6850LA	JN-MN	6879LPD	JN-MN
67X2038	GARLK	6808LA	JN-MN	6851LA	JN-MN	687W837	CONE
67X2041	GARLK	6808N	TIMKE	685215	GMC	6880	C-R
67X2050	GARLK	680954	ALLCH	685262	GMC	68800	C-R
67X213	GARLK	68097	DENCO	68532R91	IH	688019	GMC
67X215	GARLK	681175	FORD	68536R91	IH	688032	GMC
67X2168	GARLK	681175	FORD	685555	GMC	688033	GMC
67X217	GARLK	681278-R1	IH	6855W	DIA	688034	GMC
67X2174	GARLK	68130R91	IH	68599	BOSTN	688035	GMC
67X2174	GARLK	681323	CHRYS	6859S	TIMKE	688061	GMC
67X219	GARLK	6814	C-R	6860S	NATL	688080	GMC
67X225	GARLK	6814LA	JN-MN	6861S	NATL	688131	US-EL
67X269	GARLK	6815	C-R	68621	DENCO	68819	DENCO
67X273	GARLK	6815	TIMKE	6862LA	JN-MN	68819	DENCO
67X275	GARLK	681596	GMC	6862LPD	JN-MN	6882	C-R
67X287	GARLK	6816	C-R	6862S	SPG	688207XX	TIMKE
67X291	GARLK	681639	GMC	68630022	WITTE	688282	GMC
67X293	GARLK	681675	GMC	68630031	WITTE	688283	GMC
67X295	GARLK	6818	TIMKE	68630039	WITTE	6882LA	JN-MN
67X297	GARLK	68187	CATER	68630061	WITTE	6882S	SPG
67X301	GARLK	6818LA	JN-MN	68630150	WITTE	6883697	GMC
67X303	GARLK	6818LA	JN-MN	68630201	WITTE	6883LA	JN-MN
67X351	GARLK	6819970046	FREIG	68630211	WITTE	6883S	SPG
67X353	GARLK	6822	SPG	68630220	WITTE	6884S	SPG
67X355	GARLK	68224	ALLCH	68630270	WITTE	6885	C-R
67X359	GARLK	68224	KEN	68630301	WITTE	688508XX	TIMKE
67X361	GARLK	682805R91	IH	68630373	WITTE	688520	C-R
67X4584	GARLK	682809	GMC	68630374	WITTE	688520	MINMA
67X51	GARLK	682809	GMC	68630380	WITTE	688520M1	C-R
67X53	GARLK	6828S	NATL	68630509	WITTE	6885A	C-R
67X535	GARLK	6830097	GMC	68630509	WITTE	688507XX	TIMKE
67X541	GARLK	6830097	GMC	68630673	GA-WO	689010XX	TIMKE
67X544	GARLK	6830153	GMC	68630783	GA-WO	68903	DENCO
67X547	GARLK	6831418	GMC	68630983	GA-WO	68904	DENCO
67X55	GARLK	6831A	C-R	6863S	NATL	68904	SPG
67X556	GARLK	683225R91	IH	6863S	TIMKE	689510XX	TIMKE
67X643	GARLK	683226R91	IH	6864S	NATL	6895R	JN-MN
67X646	GARLK	68328	AM WH	6864S	TIMKE	68988	DENCO
67X646	GARLK	68328	AM WH	68666	CATER	68989	DENCO
67X655	GARLK	6832S	TIMKE	6869LA	JN-MN	6899C	DIA
67X658	GARLK	6833271	GMC	6869LUP	JN-MN	6899F	DIA
67X664	GARLK	683334R91	IH	6869S	SPG	6899H	DIA
67X67	GARLK	683380	GMC	68717	AM WH	68AB1190AA	FORD
67X69	GARLK	6834909	GMC	6871LA	JN-MN	68GG7048A1A	FORD
67X700	GARLK	6834S	SPG	6871LUP	JN-MN	68GG7048A1A	FORD
67X71	GARLK	683523	GMC	68720	C-R	68X10010XX	TIMKE
67X87	GARLK	683590	GMC	6872LA	JN-MN	68X10013XX	TIMKE
67X898	GARLK	683591	GMC	6872LA	JN-MN	68X100X10AN	ISP
67X904	GARLK	6835S	TIMKE	6872LPD	JN-MN	68X100X13SC	TRSCM
67X91	GARLK	6836	C-R	6872LPD	JN-MN	68X100X13TC	TRSCM
67X913	GARLK	6836LA	JN-MN	6872S	TIMKE	68X109	GARLK
67X922	GARLK	6836LUP	JN-MN	6873S	TIMKE	68X111	GARLK
67X925	GARLK	6837	C-R	68745	C-R	68X113	GARLK
67X928	GARLK	6837288	GMC	6874A	HERCU	68X115	GARLK
67X93	GARLK	6838378	RCA	6874S	SPG	68X1324	GARLK
680090C1	IH	6838600	GMC	68750	C-R	68X143	GARLK
6800LA	JN-MN	6840	SPG	68751	C-R	68X147	GARLK
6800LPD	JN-MN	6840LA	JN-MN	6875LA	JN-MN	68X151	GARLK
6800S	NATL	6840LPD	JN-MN	6875S	SPG	68X153	GARLK
68016	C-R	6840LUP	JN-MN	687686	CHRYS	68X159	GARLK
68016	DENCO	6840S	TIMKE	6876LA	JN-MN	68X161	GARLK
6801S	SPG	6841	SPG	687707C91	IH	68X215	GARLK
680273R91	IH	684164	GMC	68775	DENCO	68X217	GARLK
68029	VIC	6841STLPD	JN-MN	687758	SPERY	68X219	GARLK
68029	VIC	6842S	SPG	687803C91	IH	68X225	GARLK
6802S	SPG	68433DM	IH	6878S	SPG	68X269	GARLK
680392	GMC	6845	NATL	6878S	SPG	68X273	GARLK

! Industrial Size/Type * Minor Width Difference \$ F-M Number Is Part Of A Kit = Call 1-800-480-1212 for price and delivery.

NUMERICAL

Zero Duplication or Recommended		Zero Duplication or Recommended		Zero Duplication or Recommended		Zero Duplication or Recommended		
Mfr. No.	Name Industrial	Mfr. No.	Name Industrial	Mfr. No.	Name Industrial	Mfr. No.	Name Industrial	
68X275	GARLK	471688	6949S	TIMKE	471141	69787K	TRISL	417506
68X291	GARLK	471649!	69510K	TRISL	370036A	69788K	TRISL	415058
68X297	GARLK	471733	69510K	TRISL	370349A	69789K	TRISL	370006A
68X301	GARLK	471760	695137	CLARK	471504*	6979 C-R		471579*
68X51	GARLK	471526!	6951LPD	JN-MN	471608*	69790K	TRISL	370036A
68X53	GARLK	471472!	6951S	SPG	7686S	69790K	TRISL	370349A
68X55	GARLK	471549!	69520K	TRISL	370065A	69791	CUMMI	474276!
68X69	GARLK	471535!	695217	ALLCH	486923V=	69791K	TRISL	370021A
68X71	GARLK	471551!	6953	NATL	44052	69792K	TRISL	370019A
68X85X8AN	ISP	68X85X8	6953	WMG	44052	69793K	TRISL	416892
68X87	GARLK	471466!	6954	C-R	471579*	69794K	TRISL	370023A
68X90X10SC	TRSCM	68X90X10	6954	SPG	6954S	69795K	TRISL	370030A
68X90X10TC	TRSCM	68X90X10	695410	CLARK	473463	69797K	TRISL	370019A
68X90X8	ISP	68X90X7*	695463-2	SPICE	100495	69798K	TRISL	370005A
68X91	GARLK	471255!	695463-2	SPICE	417349	69799K	TRISL	370003A
68X93	GARLK	471564	695463-3	SPICE	455509	698028	WHITE	370023A
68X95X10	ISP	68X95X10	6954631	SPICE	471192	698318R91	IH	471689!
690080800	EATON	470565=	6954S	TIMKE	6954S	698444R91	IH	370036A
690097	EATON	416404=	6955	C-R	471579*	698444R91	NAVST	370349A
6900997	EATON	416404=	69550	SHOV	471192	698446R91	IH	470530!
6902001	ARMCO	J1141	6956	NATL	44053	698447R91	IH	472179
6902014	EATON	417484	6956	WMG	44053	698448R91	IH	415138!
69020R91	GMC	415085!	6956R	JN-MN	472409!	698449R91	IH	410496!
69020R91	GMC	456648	6957LA	JN-MN	416107!	698457R91	IH	416288
69028	HYST	411376!	6957LA	JN-MN	455073	6985	TIMKE	6985
6903A	C-R	416956	69589K	TRISL	370013A	69858	BR-ST	471760
6906S	TIMKE	6906S	69590K	TRISL	370002A	698764R1	IH	5M497
690764	GMC	415027	69591K	TRISL	370029A	698768	GMC	370037A
690807	SPERY	417562	69594K	TRISL	AR2+370026A	698768	GMC	370338A
69084	ALLCH	450104	69596K	TRISL	370065A	6988H	TIMKE	473459
69102S	TROS	8974S	69597K	TRISL	370036A	6988S	SPG	473459
69139	CUMMI	473224!	69597K	TRISL	370349A	6990	C-R	471642
69139C1	IH	473462*	69598K	TRISL	386025A	6992	C-R	710251
691631C91	IH	5624	69598K	TRISL	416158	6994LA	JN-MN	55692=
691666	WHITE	471267!	69599K	TRISL	370037A	69956	AM WH	471224!
6916LPD	JN-MN	417563	69599K	TRISL	370338A	69GG4676A9B	FORD	2642
6920	C-R	471553!	6960	TIMKE	6960	6B1070	CATER	480630!
69215	AM WH	473016!	69623	BOSTN	8597S	6B1073	CATER	480630!
6924A	JOY	415960	69628K	TRISL	AR12+370033A	6B1156	CATER	475384
6924LA	JN-MN	415001!	6962S	SPG	31031	6B1157	CATER	450533
6926	JOY	476470	69634H	IH	473238	6B1310	CATER	474265
692612	GMC	350435	6964	C-R	471579	6B14538	FORD	471442!
6927	JOY	415001!	69647	BOSTN	450621	6B1890	CATER	455144
6928	JOY	417316!	6965	C-R	471579	6B203745	FWD	50075=
69290	CATER	473237!	69656	CUMMI	473224!	6B2576	CATER	473227
69290	TMTR	473237!	69687K	TRISL	370002A	6B2789	CATER	471224!
692956	GMC	410102	69688K	TRISL	370002A	6B305	ALLCH	416888!
6930	TIMKE	6930	69689K	TRISL	AR4+370011A	6B3526	CATER	450040
69307R91	IH	415437	69690K	TRISL	370007A	6B3679	CATER	474276!*
69307R91	IH	415437!	69691K	TRISL	370015A	6B5333	CATER	473238
69319	C-R	455592	69692K	TRISL	370124A	6B8238	CATER	471255!
6932LA	JN-MN	471567!	69693K	TRISL	370012A	6B9040	CATER	472015!
6932LPD	JN-MN	471567!	69695K	TRISL	370054A	6B9130	CATER	471787!
693323R91	IH	415960	69696K	TRISL	370131A	6B9669	CATER	472185!
6934	C-R	471579*	69698K	TRISL	AR10+370020A	6BD273	IH	415449!
693463-1	SPICE	473228	69699K	TRISL	370001A	6BX6700	FORD	471787
6935	C-R	471579*	69709AB	CASE	415138!	6D1707	CATER	455031N=
6935LA	JN-MN	417247!	697119R91	IH	416865!	6EQX4676	FORD	412119
6935LPD	JN-MN	417247!	6973	SPG	205017	6F1011	MTR-C	343185
69367C1	IH	417159	69740	BR-ST	474255	6F4855	CATER	411
6936LA	JN-MN	473238!	69743K	TRISL	370106A	6F5365	CATER	55276=
6936LPD	JN-MN	473238!	697494R91	IH	240731	6F5559	CATER	408
6936S	TIMKE	6936S	6975LA	JN-MN	416476!	6F5772	CATER	470712!
6939	FULLE	472572!	697632	CATER	370120A	6F848	CATER	450412
6939	NATL	9568	69780K	TRISL	370057A	6H3580	CATER	411500
6941LA	JN-MN	455080*	69781K	TRISL	370069A	6H3955	CATER	472164!
6942R	JN-MN	473242	69781K	TRISL	380069A	6H399	CATER	416956
6943	FULLE	410102	69782K	TRISL	370121A	6H3999	CATER	416956
69437	ALLCH	471795	69783K	TRISL	AR20+370004A	6H7049	CATER	476470!
694389	GMC	730024	69784K	TRISL	370007A	6I0-C1019	REX	471271!
69478R91	IH	471487	69785K	TRISL	370047A	6J4169	CATER	710016
6948S	SPG	471267!	69786K	TRISL	415437	6J5232	CATER	416364!
6J5234	CASE	J1138	69787K	TRISL	417506	6J5234	CATER	J1138
6J5234	CATER	J1138	69788K	TRISL	415058	6J5234	CATER	J1138
6J5751	CATER	J1124	69789K	TRISL	370006A	6J5751	CATER	J1124
6J6553	CATER	710039	6979 C-R		471579*	6J6553	CATER	710039
6J8578	CATER	455053H=	69790K	TRISL	370036A	6J8578	CATER	455053H=
6K2430	CATER	416865!	69790K	TRISL	370349A	6K2430	CATER	416865!
6K3159	CATER	417262!	69791	CUMMI	474276!	6K3159	CATER	417262!
6K4186	CATER	416294!	69791K	TRISL	370021A	6K4186	CATER	416294!
6K9148	CATER	415683	69792K	TRISL	370019A	6K9148	CATER	415683
6L2305	CATER	470687	69793K	TRISL	416892	6L2305	CATER	470687
6L4237	CATER	472287!	69794K	TRISL	370023A	6L4237	CATER	472287!
6L4944	CATER	473232	69795K	TRISL	370030A	6L4944	CATER	473232
6L4951	CATER	473224!	69797K	TRISL	370019A	6L4951	CATER	473224!
6L5027	CATER	471766!	69798K	TRISL	370005A	6L5027	CATER	471766!
6L5124	CATER	470954!	69799K	TRISL	370003A	6L5124	CATER	470954!
6M029302	MACK	471516!	698028	WHITE	370023A	6M029302	MACK	471516!
6M019303	MACK	471795	698318R91	IH	471689!	6M019303	MACK	471795
6M029302	MACK	471516!	698444R91	IH	370036A	6M029302	MACK	471516!
6N0403	CATER	481552!	698444R91	NAVST	370349A	6N0403	CATER	481552!
6N8853	CATER	3807	698446R91	IH	470530!	6N8853	CATER	3807
6V1603	CATER	340827	698447R91	IH	472179	6V1603	CATER	340827
6V1834	CATER	3802*=	698448R91	IH	415138!	6V1834	CATER	3802*=
6V1916	CATER	455117=	698449R91	IH	410496!	6V1916	CATER	455117=
6V3365	CATER	471466!*	698457R91	IH	416288	6V3365	CATER	471466!*
6V3382	CATER	473468	6985	TIMKE	6985	6V3382	CATER	473468
6V3828	CATER	471466*	69858	BR-ST	471760	6V3828	CATER	471466*
6V3988	CATER	471267	698764R1	IH	5M497	6V3988	CATER	471267
6V4253	CATER	471224!	698768	GMC	370037A	6V4253	CATER	471224!
6V4427	CATER	471271!	698768	GMC	370338A	6V4427	CATER	471271!
6V5029	CATER	330385!*	6988H	TIMKE	473459	6V5029	CATER	330385!*
6V5038	CATER	447793	6988S	SPG	473459	6V5038	CATER	447793
6V5038	TMTR	447793	6990	C-R	471642	6V5038	TMTR	447793
6V5259	CATER	413246	6992	C-R	710251	6V5259	CATER	413246
6V5607	CATER	417621!	6994LA	JN-MN	55692=	6V5607	CATER	417621!
6V6838	CATER	415303!	69956	AM WH	471224!	6V6838	CATER	415303!
6V7196	CATER	416404!	69GG4676A9B	FORD	2642	6V7196	CATER	416404!
6V8146	CATER	200961	6B1070	CATER	480630!	6V8146	CATER	200961
6V8407	CATER	495782	6B1073	CATER	480630!	6V8407	CATER	495782
6V9748	CATER	472653!	6B1156	CATER	475384	6V9748	CATER	472653!
6X16X5AN(35)	ISP	6X16X5	6B1157	CATER	450533	6X16X5AN(35)	ISP	6X16X5
6X16X7	SIMRT	6X16X7	6B1310	CATER	474265	6X16X7	SIMRT	6X16X7
6X16X7SC	TRSCM	6X16X7	6B14538	FORD	471442!	6X16X7SC	TRSCM	6X16X7
6X16X7TC	TRSCM	6X16X7	6B1890	CATER	455144	6X16X7TC	TRSCM	6X16X7
6X176	CATER	455079*=	6B203745	FWD	50075=	6X176	CATER	455079*=
6X22X7	FORSH	6X22X7!	6B2576	CATER	473227	6X22X7	FORSH	6X22X7!
6X22X7SC	TRSCM	6X22X7!	6B2789					

Zero Duplication or Recommended		Zero Duplication or Recommended		Zero Duplication or Recommended		Zero Duplication or Recommended	
Mfr. No.	Name	Mfr. No.	Name	Mfr. No.	Name	Mfr. No.	Name
700120	CLARK	70074962	FI-AL	70196298	FI-AL	7040LUP	JN-MN
7001575	FORD	70075767	FI-AL	70196495	FI-AL	7041S	SPG
70016	C-R	70075978	FI-AL	70196496	FI-AL	7042LPD	JN-MN
7002	C-R	70078329	FI-AL	70198477	FI-AL	7042LUP	JN-MN
7002	C-R	70078593	FI-AL	70198578	FI-AL	7042S	NATL
70020	C-R	70079	C-R	70198908	FI-AL	70430-16A	KRSE
70021	C-R	70079276	FI-AL	701HA516	C-R	7043014A	KRSE
70025	C-R	70080	C-R	701M6700A1A	FORD	704303	GMC
70026	C-R	70082179	FI-AL	702	UNIVE	7044139	FT-WA
700263	WHITE	70084	C-R	7020	C-R	7044A	C-R
700267	KOEHL	70085	C-R	70218284	FI-AL	7044N	SPG
70028	C-R	700850	MICH	7021S	SPG	7044NA	TIMKE
7003	C-R	700850	UNIVE	7021S	SPG	70462H	IH
70030	C-R	700879	WHITE	7022	AT SU	704636	CLARK
70030504	FI-AL	7008A	C-R	7022	SPG	70463H	IH
70032	C-R	7008A	C-R	70227679	FI-AL	70464H	IH
70033146	FI-AL	7009	C-R	70229966	FI-AL	70465H	IH
700331462	FI-AL	7009	C-R	7022LA	JN-MN	70466H	IH
70034	AM WH	7009	C-R	7022S	TIMKE	7047LA	JN-MN
70034	C-R	70090655	FI-AL	7023	C-R	704813	FORD
70037676	FI-AL	70096	C-R	7023	JN-MN	704862	UNIVE
7004	C-R	70096761	FI-AL	7023	JN-MN	704863	MICH
70040	C-R	70097	C-R	70234013	FI-AL	7048LPD	JN-MN
70042641	FI-AL	70099	C-R	70235312	FI-AL	704925	GMC
70043570	FI-AL	700E524	C-R	70236065	FI-AL	704VB7	MARI
70044120	FI-AL	700W52-L	C-R	70241139	FI-AL	70506	AM WH
70044741	FI-AL	7010	C-R	70241779	FI-AL	705216	GMC
70045	C-R	7010513A	HARWA	70241D	IH	70522	CUMMI
70048703	FI-AL	70107	CUMMI	70242D	IH	705339C1	IH
70048720	FI-AL	701077	WILYS	70243D	IH	705362C1	IH
7005	C-R	701115M1	MASSE	70244961	FI-AL	705399C1	IH
7005	C-R	701119	WILYS	70246926	FI-AL	7054LUP	JN-MN
7005	C-R	7011LA	JN-MN	70247100	FI-AL	705762	GMC
7005	SPG	7011LUP	JN-MN	70250849	FI-AL	7057S	NATL
70050	C-R	7012	C-R	70250857	FI-AL	7057S	SPG
70050420	TROS	7012	JN-MN	70258D	IH	7059A	C-R
70051	C-R	7012	JN-MN	70259D	IH	705VB7	MARI
70051145	FI-AL	701224	GMC	70259D	IH	7060	C-R
70052	C-R	701225	GMC	7025A	C-R	70603007	FI-AL
70052115	FI-AL	701226	ACDEL	7027LA	JN-MN	70603010	FI-AL
70052115	FIAT	701226	GMC	7028	C-R	70603462	FI-AL
70052176	FI-AL	701241A	ALLCH	7028	TIMKE	70604973	FI-AL
700524	C-R	701241A	WAUKE	7028VGO	SPG	70605093	FI-AL
700524	CABOT	7013	C-R	7029	SPG	70611761	FI-AL
700524	GR-DV	7013	JN-MN	702VB7	MARI	70611763	FI-AL
700524M1	C-R	7013	JN-MN	703078	GMC	70611765	FI-AL
70052641	FI-AL	7013S	TIMKE	70313	CONCA	70611765	FI-AL
70052662	FI-AL	70140408	FI-AL	7031LUP	JN-MN	706153	GMC
70053	C-R	701463-1	SPICE	7031S	SPG	706155	GMC
700532X20	TROS	701463-1	SPICE	7032LA	JN-MN	706165	WILYS
70053517	FI-AL	701463-2	SPICE	7032S	NATL	706165	WILYS
70053670	FI-AL	7014LA	JN-MN	7032S	NATL	70618662	FI-AL
70053927	FI-AL	7014S	TIMKE	7032S	SPG	70619888	FI-AL
70054295	FI-AL	7015	C-R	7032S	SPG	70619890	FI-AL
70054815	TROS	7015LA	JN-MN	70337	ALLCH	70619900	FI-AL
70059947	FI-AL	7016	C-R	7033LA	JN-MN	7062	GARLK
7006	C-R	70164368	FI-AL	7033LUP	JN-MN	70620784	FI-AL
7006	C-R	701663	GMC	7034LA	JN-MN	70620871	FI-AL
70060	C-R	701679	GMC	703591	FORD	70623823	FI-AL
700603002	FI-AL	70169	CUMMI	7036R	JN-MN	70624650	FI-AL
70061	C-R	7016SS	JN-MN	7037S	SPG	70624653	FI-AL
70064302	FI-AL	70171	C-R	7037SS	JN-MN	70628274	FI-AL
70064302	FI-AL	70173735	FI-AL	7038S	SPG	70628357	FI-AL
70066309	FI-AL	70179177	FI-AL	7038SA	TIMKE	70628357	FI-AL
70067913	FI-AL	70179643	FI-AL	703D6	DIA	70628485	FI-AL
70067914	FI-AL	70179737	FI-AL	703D6	WHITE	70628724	FI-AL
70068513	FI-AL	7018	C-R	703VB7	MARI	70628823	FI-AL
7006S	TIMKE	70180597	FI-AL	704	UNIVE	70628894	FI-AL
7007	C-R	70180612	FI-AL	70401179	FI-AL	70628940	FI-AL
7007	JN-MN	70181937	FI-AL	7040LA	JN-MN	70628940	FI-AL
70073	CUMMI	70194679	FI-AL	7040LA	JN-MN	70628941	FI-AL
70074961	FI-AL	70196297	FI-AL	7040LUP	JN-MN	70629040	FI-AL

! Industrial Size/Type * Minor Width Difference = Call 1-800-480-1212 for price and delivery.

NUMERICAL

Zero Duplication or Recommended Industrial		Zero Duplication or Recommended Industrial		Zero Duplication or Recommended Industrial		Zero Duplication or Recommended Industrial		
Mfr. No.	Name	Mfr. No.	Name	Mfr. No.	Name	Mfr. No.	Name	
70629733	FI-AL	411178=	70842 CUMMI	411	70X95X13SC TRSCM	70X95X13	710062 TIMKE	473237
70632589	FI-AL	J1044=	708463-1 SPICE	473215!	70X95X13TC TRSCM	70X95X13	710063 NATL	4143
70632608	FI-AL	471413	708508XX TIMKE	70X85X8	71 WGEAR	415984!	710064 NATL	225220
70632611	FI-AL	416287N=	708510 GMC	413470	71-0008 MCCOR	408	710065 TIMKE	710065
70633630	FI-AL	473464!	708511 GMC	413246	71-0014 MCCOR	414	710067 TIMKE	710067
70633630	FI-AL	473464	708551 MIXMO	5751	71-0020 MCCOR	420	710068 TIMKE	710068
70634005	FI-AL	471765!	708556 MIXMO	471192	71-0021 MCCOR	421	71006864 FI-AL	415196=
70634037	FI-AL	417344!	70855610 TROS	416476!	71-0022 MCCOR	422	710069 TIMKE	710069
70634519	FI-AL	417269!	708558 MIXMO	450084!	71-0024 MCCOR	424	710070 TIMKE	710070
70635778	FI-AL	415995!	708559 MIXMO	473215!	71-0025 MCCOR	425RR	710071 TIMKE	710071
70643560	FI-AL	471267!	708566 MIXMO	473467	71-0027 MCCOR	427RR	710071000 JA-HE	416666
706463-1	SPICE	476470	708566TA TRSCM	416239!	71-0028 MCCOR	428RR	710072 TIMKE	710072
70648620	FI-AL	416345!	708573 MIXMO	474274	71-0029 MCCOR	429RR	710073 TIMKE	710073
70648620	FI-AL	455033	708575 MIXMO	410308!	710 UNIVE	417598	710075 TIMKE	710075
70649266	FI-AL	415995!	708583 MIXMO	352541	710001 NATL	710800	710076 TIMKE	710076
7064S	NATL	472354!	708590 MIXMO	415041	710002 NATL	710925	710077 TIMKE	710077
70650577	FI-AL	471529	708600 MIXMO	415483!	710003 NATL	711000	710078 TIMKE	710078
70650760	FI-AL	471271 *=	708606 MIXMO	415437	710004 NATL	711200	710080 TIMKE	710080
70651299	FI-AL	415483	708612 MIXMO	450177	710005 TIMKE	710005	710081 TIMKE	710081
70652662	FI-AL	240735	708643 GMC	416297	710006 TIMKE	710006	710084 TIMKE	710084
70654805	FI-AL	417355!	708725 GMC	471267!	710007 TIMKE	710007	710085 TIMKE	710085
7065480501	FI-AL	417355!	708790 GMC	418028	710008 TIMKE	710008	710086 TIMKE	710086
70655619	FI-AL	471192=	708790 GMC	455137!	710009 CLARK	416154!	710087 TIMKE	710087
70657582	FI-AL	416921!	7087A C-R	471255!	710009 TIMKE	710009	710088 TIMKE	710088
70658114	FI-AL	415449	7087R JN-MN	415219	710010 TIMKE	710010	710089 TIMKE	710089
70658942	FI-AL	476470!	708808XX TIMKE	70X88X8	710011 TIMKE	710011	710090 TIMKE	710090
70664412	FI-AL	471507N=	708812XX TIMKE	70X88X12	710012 TIMKE	470625	710091 TIMKE	710091
70668033	FI-AL	340771	708875 MICH	415116	710013 TIMKE	471504	710092 TIMKE	710092
70669846	FI-AL	413246	708875 UNIVE	415116	710014 TIMKE	710014	710093 TIMKE	710093
70669847	FI-AL	471529	7089 C-R	710412	710015 TIMKE	710015	710094 TIMKE	710094
70670186	FI-AL	417349	70894 CUMMI	472164	710016 TIMKE	710016	710095 TIMKE	710095
70672497	FI-AL	455107N=	709007XX TIMKE	70X90X7	710017 TIMKE	710017	710096 TIMKE	710096
70673983	FI-AL	415349 *=	709010XX TIMKE	70X90X10	710018 TIMKE	710018	710097 TIMKE	710097
70675473	FI-AL	410930=	709204 AVCO	473204=	710019 TIMKE	473238	710098 TIMKE	710098
70676141	FI-AL	JX1190	709212XX TIMKE	70X92X12	710020 TIMKE	470625	710101 TIMKE	710101
706765	GMC	370030A	70927023 FI-AL	473459	710022 TIMKE	415035	710102 TIMKE	710102
70677188	FI-AL	471787!	70927283 FI-AL	417474	710023 TIMKE	710023	710103 TIMKE	710103
70680622	FI-AL	470596	70928058 FI-AL	417247!	710024 TIMKE	710024	71010409 FI-AL	456967N=
70684806	FI-AL	416364=	70928436 FI-AL	415854	710025 TIMKE	710025	710105 TIMKE	710105
70684807	FI-AL	J1278 *=	709446 MIXMO	417967!	710026 TIMKE	710026	710106 TIMKE	710106
70686015	FI-AL	2699 *=	709510XX TIMKE	70X95X10	710027 TIMKE	710027	710107 TIMKE	710107
70693957	FI-AL	416287V *=	709513XX TIMKE	70X95X13	710028 TIMKE	710028	710108 TIMKE	710108
70695203	FI-AL	486985V=	7097A C-R	473444	710029 TIMKE	710029	710109 TIMKE	710109
70695217	FI-AL	486923V=	709840C1 IH	417172	710030 TIMKE	710030	710110 TIMKE	710110
70695225	FI-AL	487250V!	709928 GMC	471570!	710031 TIMKE	710031	710111 TIMKE	710111
70696317	FI-AL	415234!	709VB7 GR-DV	416364!	710032 TIMKE	710032	710112 TIMKE	710112
70699928	FI-AL	471271!	70HM6700A1A FORD	2012V	710033 NATL	710027	710113 TIMKE	710113
706VB7	MARI	471224!	70X10010XX TIMKE	70X100X10	71003344 FI-AL	415145N=	710114 TIMKE	710114
7070	C-R	18X38X7	70X10013XX TIMKE	70X100X13	710034 TIMKE	710034	710115 TIMKE	710115
70703	ALLGH	240319	70X100X10ASN ISP	70X100X10	710035 TIMKE	710035	710116 TIMKE	710116
707237	WILYS	340797	70X100X13SC TRSCM	70X100X13	710036 TIMKE	710036	710117 TIMKE	710117
70735242	FI-AL	415196=	70X100X13TC TRSCM	70X100X13	710038 TIMKE	710038	710118 TIMKE	710118
7073553	ELGIN	370048A	70X10507XX TIMKE	70X105X7	710039 TIMKE	710039	710119 TIMKE	710119
7073LA	JN-MN	473231	70X10513XX TIMKE	70X105X13	710040 TIMKE	710040	710120 TIMKE	710120
7073LUP	JN-MN	473231	70X105X13 SIMRT	70X105X13	710041 TIMKE	710041	710121 TIMKE	710121
707414	WILYS	474278!	70X105X13AN ISP	70X105X13	710042 TIMKE	710042	710122 TIMKE	710122
7074R	JN-MN	417211!	70X105X13AN ISP	70X105X7*	710043 TIMKE	710043	710123 TIMKE	710123
707533-6	IH	J1128	70X11010XX TIMKE	70X110X10	710044 TIMKE	710044	710124 TIMKE	710124
70761	CUMMI	470954!	70X110X10AN ISP	70X110X10	710045 TIMKE	710045	710125 TIMKE	710125
7076270	WHITE	370001A	70X85X8SC TRSCM	70X85X8	710046 TIMKE	710046	710126 TIMKE	710126
707821	WILYS	471827	70X85X8TC TRSCM	70X85X8	71004911 FI-AL	471267!	710127 TIMKE	710127
707943	MIXMO	474278!	70X88X12SC TRSCM	70X88X12	710050 NATL	712011	710128 TIMKE	710128
707963	MIXMO	6597S	70X88X12TC TRSCM	70X88X12	710051 TIMKE	710051	710129 TIMKE	710129
707973	WILYS	472560N!	70X88X8SC TRSCM	70X88X8!	71005117 FI-AL	412861	710130 TIMKE	710130
7079LA	JN-MN	470954!	70X88X8TC TRSCM	70X88X8!	710053 TIMKE	710053	710131 TIMKE	710131
707VB7	MARI	455121	70X90X10 ISP	70X90X7*	710054 NATL	3622	710132 TIMKE	710132
708	UNIVE	415551	70X90X10SC TRSCM	70X90X10!	710055 TW-CO	472164!	710133 TIMKE	710133
7080	C-R	18X40X7	70X90X10TC TRSCM	70X90X10!	710056 TIMKE	710056	710134 TIMKE	710134
70805	C-R	180X210X15	70X92X12SC TRSCM	70X92X12	710057 TIMKE	710057	710135 TIMKE	710135
7081	C-R	18X40X7V	70X92X12TC TRSCM	70X92X12	710058 TIMKE	710058	710136 TIMKE	710136
7082	C-R	18X40X7	70X95X10SC TRSCM	70X95X10	710060 TIMKE	710060	710137 TIMKE	710137
70826TA	TRSCM	417597	70X95X10TC TRSCM	70X95X10	710061 TIMKE	710061	710138 TIMKE	710138

! Industrial Size/Type * Minor Width Difference = Call 1-800-480-1212 for price and delivery.

Zero Duplication or Recommended		Zero Duplication or Recommended		Zero Duplication or Recommended		Zero Duplication or Recommended	
Mfr. No.	Name	Industrial	Mfr. No.	Name	Industrial	Mfr. No.	Name
710139	TIMKE	710139	710216	TIMKE	710216	710290	TIMKE
710140	TIMKE	710140	710217	TIMKE	710217	710291	TIMKE
710141	TIMKE	710141	710218	TIMKE	710218	710292	TIMKE
710142	TIMKE	710142	710219	TIMKE	710219	710293	TIMKE
710143	TIMKE	710143	710220	TIMKE	710220	710294	TIMKE
710144	TIMKE	710144	710221	TIMKE	710221	710295	TIMKE
710145	TIMKE	710145	710222	TIMKE	710222	710296	TIMKE
710146	TIMKE	710146	710223	TIMKE	710223	710297	TIMKE
710147	TIMKE	710147	710224	TIMKE	710224	710298	TIMKE
710148	TIMKE	710148	710225	TIMKE	710225	710299	TIMKE
710148	WILYS	416738!	710226	TIMKE	710226	710300	TIMKE
710148	WILYS	450096	710227	TIMKE	710227	710301	TIMKE
710149	TIMKE	710149	710228	TIMKE	710228	710302	TIMKE
710150	TIMKE	710150	710229	TIMKE	710229	710303	TIMKE
710151	TIMKE	710151	710230	TIMKE	710230	710304	TIMKE
710152	TIMKE	710152	710231	TIMKE	710231	710305S	TIMKE
710153	TIMKE	710153	710232	TIMKE	710232	710306	TIMKE
710154	TIMKE	710154	710233	TIMKE	710233	710307	TIMKE
710155	TIMKE	710155	710234	TIMKE	710234	710308	TIMKE
710156	TIMKE	710156	710235	TIMKE	710235	710309	TIMKE
710157	TIMKE	710157	710236	TIMKE	710236	710310	TIMKE
710158	TIMKE	710158	710237	TIMKE	710237	710311	TIMKE
710159	TIMKE	710159	710238	TIMKE	710238	710312	TIMKE
710160	TIMKE	710160	710239	TIMKE	710239	710313	TIMKE
710161	TIMKE	710161	710240	TIMKE	710240	710314	TIMKE
710162	TIMKE	473241	710241	TIMKE	710241	710315	TIMKE
710163	TIMKE	710163	710242	TIMKE	710242	710316	TIMKE
710164	TIMKE	710164	710243	TIMKE	710243	710317	TIMKE
710165	TIMKE	710165	710244	TIMKE	710244	710318	TIMKE
710166	TIMKE	710166	710245	TIMKE	710245	710319	TIMKE
710167	TIMKE	710167	710246	TIMKE	710246	710320	TIMKE
710168	TIMKE	710168	710247	TIMKE	710247	710321	TIMKE
710169	TIMKE	710169	710248	TIMKE	710248	710322	TIMKE
710170	TIMKE	710170	710249	TIMKE	710249	710323	TIMKE
710171	TIMKE	710171	710250	TIMKE	710250	710324	TIMKE
710172	TIMKE	710172	710251	TIMKE	710251	710325	TIMKE
710173	TIMKE	710173	710252	TIMKE	710252	710326	TIMKE
710174	TIMKE	710174	710253	TIMKE	710253	710327	TIMKE
710175	TIMKE	710175	710254	TIMKE	710254	710328	TIMKE
710176	TIMKE	710176	710255	TIMKE	710255	710329	TIMKE
710178	TIMKE	710178	710256	TIMKE	710256	710330	TIMKE
710179	TIMKE	710179	710258	TIMKE	710258	710331	TIMKE
710180	TIMKE	710180	710259	TIMKE	710259	710332	TIMKE
710182	TIMKE	710182	710260	TIMKE	710260	710333	TIMKE
710183	TIMKE	710183	710261	TIMKE	710261	710334	TIMKE
710186	TIMKE	710186	710262	TIMKE	710262	710335	TIMKE
710187	TIMKE	710187	710263	TIMKE	710263	710336	TIMKE
710188	TIMKE	710188	710264	TIMKE	710264	710337	TIMKE
710189	TIMKE	710189	710265	TIMKE	710265	710338	TIMKE
710190	TIMKE	710190	710266	TIMKE	710266	710339	TIMKE
710191	TIMKE	710191	710267	TIMKE	710267	710340	TIMKE
710192	TIMKE	710192	710268	TIMKE	710268	710341	TIMKE
710193	TIMKE	710193	710269	TIMKE	710269	710342	TIMKE
710194	TIMKE	710194	710270	TIMKE	710270	710343	TIMKE
710195	TIMKE	710195	710271	TIMKE	710271	710344	TIMKE
710196	TIMKE	710196	710272	TIMKE	710272	710345	TIMKE
710197	TIMKE	710197	710273	TIMKE	710273	710346	TIMKE
710198	TIMKE	710198	710274	TIMKE	710274	710347	TIMKE
710199	TIMKE	710199	710275	TIMKE	710275	710348	TIMKE
710201	TIMKE	710201	710276	TIMKE	710276	710349	TIMKE
710202	TIMKE	710202	710277	TIMKE	710277	710350	TIMKE
710203	TIMKE	710203	710278	TIMKE	710278	710351	TIMKE
710204	TIMKE	710204	710279	TIMKE	710279	710352	TIMKE
710205	TIMKE	710205	710281	TIMKE	710281	710353	TIMKE
710207	TIMKE	710207	710282	TIMKE	710282	710354	TIMKE
710208	TIMKE	710208	710283	TIMKE	710283	710355	TIMKE
710209	TIMKE	710209	710284	TIMKE	710284	710356	TIMKE
710210	TIMKE	710210	710285	TIMKE	710285	710357	TIMKE
710211	TIMKE	710211	710286	TIMKE	710286	710358	NATL
710213	TIMKE	710213	710287	TIMKE	1213N	710358	TIMKE
710214	TIMKE	710214	710288	TIMKE	710288	710359	TIMKE
710215	TIMKE	710215	710289	TIMKE	710289	710360	GMC
							370019A
710360	TIMKE	710360	710361	TIMKE	710361	710362	TIMKE
710361	TIMKE	710361	710362	TIMKE	710362	710363	TIMKE
710362	TIMKE	710362	710363	TIMKE	710363	710364	TIMKE
710363	TIMKE	710363	710364	TIMKE	710364	710365	TIMKE
710364	TIMKE	710364	710365	TIMKE	710365	710366	TIMKE
710365	TIMKE	710365	710366	TIMKE	710366	710367	TIMKE
710366	TIMKE	710366	710367	TIMKE	710367	710368	TIMKE
710367	TIMKE	710367	710368	TIMKE	710368	710369	TIMKE
710368	TIMKE	710368	710369	TIMKE	710369	710370	TIMKE
710369	TIMKE	710369	710370	TIMKE	710370	710371	TIMKE
710370	TIMKE	710370	710371	TIMKE	710371	710372	TIMKE
710371	TIMKE	710371	710372	TIMKE	710372	710373	TIMKE
710372	TIMKE	710372	710373	TIMKE	710373	710374	TIMKE
710373	TIMKE	710373	710374	TIMKE	710374	710375	TIMKE
710374	TIMKE	710374	710375	TIMKE	710375	710376	TIMKE
710375	TIMKE	710375	710376	TIMKE	710376	710377	TIMKE
710376	TIMKE	710376	710377	TIMKE	710377	710378	TIMKE
710377	TIMKE	710377	710378	TIMKE	710378	710379	TIMKE
710378	TIMKE	710378	710379	TIMKE	710379	710380	TIMKE
710379	TIMKE	710379	710380	TIMKE	710380	710381	TIMKE
710380	TIMKE	710380	710381	TIMKE	710381	710382	TIMKE
710381	TIMKE	710381	710382	TIMKE	710382	710383	TIMKE
710382	TIMKE	710382	710383	TIMKE	710383	710384	TIMKE
710383	TIMKE	710383	710384	TIMKE	710384	710385	TIMKE
710384	TIMKE	710384	710385	TIMKE	710385	710386	TIMKE
710385	TIMKE	710385	710386	TIMKE	710386	710387	TIMKE
710386	TIMKE	710386	710387	TIMKE	710387	710388	TIMKE
710387	TIMKE	710387	710388	TIMKE	710388	710389	TIMKE
710388	TIMKE	710388	710389	TIMKE	710389	710390	TIMKE
710389	TIMKE	710389	710390	TIMKE	710390	710391	TIMKE
710390	TIMKE	710390	710391	TIMKE	710391	710392	TIMKE
710391	TIMKE	710391	710392	TIMKE	710392	710393	TIMKE
710392	TIMKE	710392	710393	TIMKE	710393	710394	TIMKE
710393	TIMKE	710393	710394	TIMKE	710394	710395	TIMKE
710394	TIMKE	710394	710395	TIMKE	710395	710396	TIMKE
710395	TIMKE	710395	710396	TIMKE	710396	710397	TIMKE
710396	TIMKE	710396	710397	TIMKE	710397	710398	TIMKE
710397	TIMKE	710397	710398	TIMKE	710398	710399	TIMKE
710398	TIMKE	710398	710399	TIMKE	710399	710400	TIMKE
710399	TIMKE	710399	710400	TIMKE	710400	710401	TIMKE
710400	TIMKE	710400	710401	TIMKE	710401	710402	TIMKE
710401	TIMKE	710401	710402	TIMKE	710402	710403	TIMKE
710402	TIMKE	710402	710403	TIMKE	710403	710404	TIMKE
710403	TIMKE	710403	710404	TIMKE	710404	710405	TIMKE
710404	TIMKE	710404	710405	TIMKE	710405	710406	TIMKE
710405	TIMKE	710405	710406	TIMKE	710406	710407	TIMKE
710406	TIMKE	710406	710407	TIMKE	710407	710408	TIMKE
710407	TIMKE	710407	710408	TIMKE	710408	710409	TIMKE
710408	TIMKE	710408	710409	TIMKE	710409	710410	TIMKE
710409	TIMKE	710409	710410	TIMKE	710410	710411	TIMKE
710410	TIMKE	710410	710411	TIMKE	710411	710412	TIMKE
710411	TIMKE	710411	710412	TIMKE	710412	710413	TIMKE
710412	TIMKE	710412	710413	TIMKE	710413	710414	TIMKE
710413	TIMKE	710413	710414	TIMKE	710414	710415	TIMKE
710414	TIMKE	710414	710415	TIMKE	710415	710416	TIMKE
710415	TIMKE	710415	710416	TIMKE	710416	710417	TIMKE
710416	TIMKE	710416	710417	TIMKE	710417	710418	TIMKE
710417	TIMKE	710417	710418	TIMKE	710418	710419	TIMKE
710418	TIMKE	710418	710419	TIMKE	710419	710420	TIMKE
710419	TIMKE	710419	710420	TIMKE	710420	710421	TIMKE
710420	TIMKE	710420	710421	TIMKE	710421	710422	TIMKE
710421	TIMKE	710421	710422	TIMKE	710422	710423	TIMKE
710422	TIMKE	710422	710423	TIMKE	710423	710424	TIMKE
710423	TIMKE	710423	710424	TIMKE	710424	710425	TIMKE
710424	TIMKE	710424	710425	TIMKE	710425	710426	TIMKE
710425	TIMKE	710425	710426	TIMKE	710426	710427	TIMKE
710426	TIMKE	710426	710427	TIMKE	710427	710428	TIMKE
710427	TIMKE	710427	710428	TIMKE	710428	710429	TIMKE
710428	TIMKE	710428	710429	TIMKE	710429	710430	TIMKE
710429	TIMKE	710429	710430	TIMKE	710430	710431	TIMKE
710430	TIMKE	710430	710431	TIMKE	710431	710432	TIMKE
710431	TIMKE	710431	710432	TIMKE	710432	710433	TIMKE
710432	TIMKE	710432	710433	TIMKE	710433		

! Industrial Size/Type

NUMERICAL

Zero Duplication or Recommended Industrial		Zero Duplication or Recommended Industrial		Zero Duplication or Recommended Industrial		Zero Duplication or Recommended Industrial		
Mfr. No.	Name	Mfr. No.	Name	Mfr. No.	Name	Mfr. No.	Name	
710435	TIMKE	710435	71143453 FI-AL	471341 *	712397 GMC	473464!	714579C1 IH	JX1190
710436	TIMKE	710436	711535 SPERY	473239!	7124 C-R	470506!	714599 WHITE	417484!
710437	TIMKE	710437	711552 TIMKE	711552	712449 TIMKE	712449	7145LPD JN-MN	416892!*
710438	TIMKE	710438	711553 TIMKE	711553	71245 C-R	416077	7145LUP JN-MN	416892!
710439	TIMKE	710439	711664 WILYS	6489	7125 C-R	470506!	7146 C-R	50026*
710440	TIMKE	710440	711669 WILYS	6489	71250 C-R	416077	714616 TIMKE	714616
710441	TIMKE	710441	7116LA JN-MN	471224!	71251 C-R	416077	714619 TIMKE	714619
710442	TIMKE	710442	7116LUP JN-MN	471224!	712511 TIMKE	712511	7146310 SPICE	412473!
710443	TIMKE	710443	711780HB IH	472185!	712512 TIMKE	712512	7146311 SPICE	415995!
710444	TIMKE	710444	711818 C-R	722108	712551 TIMKE	712551	7146312 SPICE	457291=
710445	TIMKE	710445	711822 C-R	710044	712598S TIMKE	712598	7146313 SPICE	472164!
710446	TIMKE	710446	712 UNIVE	455406!	7126 C-R	470506!	7146314 SPICE	412473!
710450	TIMKE	710450	712000 TIMKE	712000	712625 TIMKE	712625	7146315 SPICE	417171!
710451	TIMKE	710451	712001 TIMKE	712001	712750 TIMKE	415991	7146317 SPICE	471267!
710452	TIMKE	710452	712003 TIMKE	712003	712831 GMC	417506	7146319 SPICE	471646!
710463-1	SPICE	472636!	712004 TIMKE	712004	712832 GMC	370012A	714632 SPICE	415995!
710501	TIMKE	710501	712005 TIMKE	712005	712833 GMC	418028	7146325 SPICE	415995!
710502	TIMKE	710502	712006 TIMKE	712006	712834 GMC	417505	7146326-1 SPICE	473242=
710504	TIMKE	710504	712007 TIMKE	712007	712887 UNIVE	455117	714634 SPICE	417171!
710505	TIMKE	710505	712008 TIMKE	712008	7128LA JN-MN	417316!	714635 SPICE	415137!
710506	TIMKE	710506	712009 TIMKE	712009	7128LUP JN-MN	417316!	714635 SPICE	418028
710507	TIMKE	710507	712010 TIMKE	712010	712937 TIMKE	712937	714636 SPICE	417171!
710508	TIMKE	710508	712011 TIMKE	712011	712938 TIMKE	712938	714637 SPICE	418028
710509	TIMKE	710509	712012 TIMKE	712012	712998 GMC	5188!	714637 SPICE	455137!
710510	TIMKE	710510	712013 TIMKE	471689	712999 GMC	5189	714639 SPICE	470059
710511	TIMKE	710511	712014 TIMKE	470954	7129S SPG	6575S	714639 SPICE	470380!
710512	TIMKE	710512	712015 TIMKE	471267	7130 C-R	470506!	714654 TIMKE	470530
710513	TIMKE	710513	712016 TIMKE	471224	7130LA JN-MN	415036	714655 TIMKE	714655
710514	TIMKE	710514	712017 TIMKE	471466	7131 C-R	470506!	714662 TIMKE	714662
710515	TIMKE	710515	712018 TIMKE	712018	7131 TIMKE	7131	714670 TIMKE	415449
710516	TIMKE	710516	712019 TIMKE	330699	7131R JN-MN	470898	714675 TIMKE	714675
710517	TIMKE	710517	712020 TIMKE	712020	713250 NATL	5609	714679 TIMKE	714679
710519	TIMKE	710519	712021 TIMKE	712021	713256 WHITE	474278!	7146LPD JN-MN	415379
710520	TIMKE	710520	712022 TIMKE	712022	713273 WHITE	5406	7146LPD JN-MN	415379!
710521	TIMKE	710521	712023 TIMKE	712023	713290 WHITE	412119	7146LUP JN-MN	415379!
710522	TIMKE	710522	712024 TIMKE	471466	713416 C-R	55539=	7146LUP JN-MN	415379
710523	TIMKE	710523	712025 TIMKE	712025	713463-1 SPICE	472179	714702 WHITE	370036A
710524	TIMKE	710524	712026 TIMKE	252277	713518 C-R	55358=	714702 WHITE	370349A
710525	TIMKE	710525	712027 TIMKE	470954	713528 BUC-E	416476!	714713 TIMKE	415035
710526	TIMKE	710526	712028 TIMKE	712028	713528 C-R	416476!	714750 TIMKE	714750
710527	TIMKE	710527	712045 MIXMO	473459	713528 GR-DV	55078S	714810 TIMKE	100495
710528	TIMKE	710528	712100 TIMKE	712100	713528 MINMA	416476!	714810 TIMKE	714810
710529	TIMKE	710529	712101 TIMKE	712101	713528M1 C-R	416476!	71489 C-P	330385
710536	GMC	418028	712102 TIMKE	712102	71364 C-R	455330!	715000 NATL	39801
710562	TIMKE	710562	712103 TIMKE	712103	71364M1 C-R	455330!	7151 C-R	50026*
7105S	TIMKE	7105S	712104 TIMKE	712104	713655 TIMKE	713655	715100 TIMKE	715100
710695	CLARK	455026	712106 TIMKE	712106	713750 NATL	2377	71524C91 IH	416380!
7107	SPG	7107A=	712107 TIMKE	712107	713750 TIMKE	713750	715319 TIMKE	417495
7107LA	JN-MN	415066*	712108 TIMKE	712108	713771 TIMKE	713771	7154S TIMKE	7154S
710800	TIMKE	710800	712109 TIMKE	712109	713777 SPICE	J1063=	715506 GMC	370015A
710802	CLARK	416888!	712110 TIMKE	712110	7138A C-R	471442!	71558 CROWN	472311!
710805	CLARK	415437	712111 TIMKE	712111	71390 VICK	471821!	7156 C-R	50026
710805	CLARK	415437!	712112 TIMKE	712112	713938 WHITE	472636!	7157 C-R	50026
7108LA	JN-MN	55224=	712113 TIMKE	712113	713B528 C-R	416476!	715707 WHITE	470530!
710925	TIMKE	710925	712114 TIMKE	712114	713BMM528 C-R	416476!*	715767 WHITE	470530!
710939	WILYS	416738!	712115 TIMKE	712115	714 UNIVE	455121	7158RPD JN-MN	471466!
710939	WILYS	450096	712116 TIMKE	712116	71406 BOSTN	450536	71597C91 IH	452222!
710983	CLARK	416865!	712118 TIMKE	712118	71406 BOSTN	471535!	7160 ALLCH	472924!
710984	CLARK	417134	712119 TIMKE	712119	714075 TIMKE	714075	7160 C-R	240027=
710985	CLARK	415150!	712120 TIMKE	712120	714260 GMC	470712!	7160 TRAC	472924!
7109LA	JN-MN	40769S	712122 TIMKE	712122	714400 GMC	222510	71607XX TIMKE	7X16X7
711000	TIMKE	711000	712123 TIMKE	712123	714400 GMC	25X35X7!	716102 TIMKE	716102
71102	AM WH	474264	712124 TIMKE	712124	714436 TIMKE	714436	716445 TIMKE	716445
711035	WOOL	416865!	712125 TIMKE	712125	714470 TIMKE	416404	716484 TIMKE	716484
7110LA	JN-MN	415458!	712126 TIMKE	712126	7144A C-R	473016!	7165RPD JN-MN	415066
7110LUP	JN-MN	415458!	712146 TIMKE	712146	7144LPD JN-MN	417539!*	716689 WHITE	476470!
7112	FULLE	471686	7122 C-R	50405	714503 TIMKE	714503	716689 WHITE	476470
711200	TIMKE	711200	712250 TIMKE	471272	714512 TIMKE	714512	7166RPD JN-MN	415036
7112LA	JN-MN	415645!	712260 TIMKE	712260	714550 WHITE	471554!	716761 WHITE	415060
7112LA	JN-MN	455104	712270 TIMKE	712270	714558 NATL	4795V	716761 WHITE	455060
7112LUP	JN-MN	415645!	712375 TIMKE	712375	714559 NATL	4795V	716888 WHITE	416654!
7113LA	JN-MN	416891!	712397 GMC	473464	714569 TIMKE	714569	71690 ALLCH	40438S

! Industrial Size/Type * Minor Width Difference = Call 1-800-480-1212 for price and delivery.

Zero Duplication or Recommended		Zero Duplication or Recommended		Zero Duplication or Recommended		Zero Duplication or Recommended					
Mfr. No.	Name	Industrial	Mfr. No.	Name	Industrial	Mfr. No.	Name				
716900	UNIVE	415551	71A7055	GARLK	471689	72-080825	BUC-E	417597	72-122445	BUC-E	471649!
716901	MICH	415551	71A7080	GARLK	42352S	72-082500	BUC-E	417602!	72-122457	BUC-E	471689!
71696C1	IH	415458!	71A7082	GARLK	40494S	72-08250M	BUC-E	417602!	72-122600	BUC-E	415449!
71697C1	IH	473467	71B2	WHITE	471316	72-082595	BUC-E	415124	72-122750	BUC-E	472636!
71700	ALLCH	45013S	71WG7048AA	FORD	2503	72-08300M	BUC-E	415090	72-12275M	BUC-E	472636!
717003	NATL	417967!	71WG7048AA	FORD	2503N	72-083150	BUC-E	417020	72-125250	BUC-E	417604
717004	TIMKE	717004	71WG7657AA	FORD	2443	72-08315M	BUC-E	417020	72-125500	BUC-E	417567
717005	TIMKE	717005	71WG7657BA	FORD	2551	72-083650	BUC-E	415482	72-12550M	BUC-E	417567
717006	TIMKE	717006	71X5239	GARLK	471413	72-08365M	BUC-E	415482	72-125580	BUC-E	455129
71719C1	IH	471835!	71X6069	GARLK	8792S	72-085105	BUC-E	417608	72-128500	BUC-E	471466!
717410	WHITE	415991	71X6133	GARLK	254287	72-089720	BUC-E	472924!	72-134950	BUC-E	417606
717410	WHITE	415991!	71X6156	GARLK	471270!	72-090500	BUC-E	470530!	72-135250	BUC-E	55224=
717703	WHITE	476470!	71X6284	GARLK	341022	72-09050V	BUC-E	470530!	72-138385	BUC-E	340797
717703	WHITE	476470	71X6304	GARLK	310841	72-093000	BUC-E	472397!	72-13925V	BUC-E	470954!
7179S	SPG	418028	71X7007	GARLK	240470	72-09300VM	BUC-E	472397!	72-14333	BUC-E	471267!
7180LPD	JN-MN	415482	71X7011	GARLK	342805	72-093500	BUC-E	473463	72-143330	BUC-E	471570!
7180LUP	JN-MN	415482	71X7012	GARLK	342805	72-09350V	BUC-E	473463	72-14335M	BUC-E	481644
718130	WHITE	410308!	71X7013	GARLK	8792S	72-095050	BUC-E	417349	72-143381	BUC-E	471413
718170	WHITE	415085!	71X7020	GARLK	340387	72-09505V	BUC-E	417349	72-143390	BUC-E	340136
718170	WHITE	456648	71X7021	GARLK	340724!	72-09600	BUC-E	415995!	72-143395	BUC-E	470380!
718214	WHITE	410987!	71X7023	GARLK	471466	72-096000	BUC-E	415995!	72-143396	BUC-E	417357
718302	WHITE	450065	71X7024	GARLK	351487	72-096050	BUC-E	415995!	72-143396	BUC-E	455192!
71855C1	IH	416921!	71X7033	GARLK	470954!	72-096390	BUC-E	415001!	72-143410	BUC-E	472179
718610	TIMKE	718610	71X7034	GARLK	471554	72-097380	BUC-E	417351!	72-143475	BUC-E	5458 \$
718657	WHITE	415697!	71X7055	GARLK	471689	72-09738M	BUC-E	417351!	72-148500	BUC-E	471570!
718657	WHITE	455547	71X7080	GARLK	340400	72-09857	BUC-E	417487	72-14850E	BUC-E	471570!
7186LPD	JN-MN	416107!	71X7090	GARLK	442110=	72-09900M	BUC-E	417487	72-153500	BUC-E	471270!
7186LPD	JN-MN	455073	71X7093	GARLK	310841	72-100993	BUC-E	455019!	72-15350V	BUC-E	472560N!
7186LUP	JN-MN	416107!	71X8000	GARLK	7014S	72-101250	BUC-E	415035	72-153950	BUC-E	415656
7186LUP	JN-MN	455073	72-0002	MCCOR	13069	72-10125M	BUC-E	415035	72-157600	BUC-E	474278!
7186S	TIMKE	7186S	72-063350	BUC-E	441130	72-10125M	BUC-E	415035!	72-15760V	BUC-E	474278!
718770	WHITE	410737!	72-063400	BUC-E	471224	72-101499	BUC-E	415035	72-158405	BUC-E	40301S
718773	WHITE	470565!	72-06340N	BUC-E	471224	72-101499	BUC-E	415035!	72-159395	BUC-E	470898
7187LPD	JN-MN	472157	72-063415	BUC-E	471224!	72-101500	BUC-E	415035	72-159578	BUC-E	40520S
7187LPD	JN-MN	472157!	72-063550	BUC-E	472560N	72-101500	BUC-E	415035!	72-160365	BUC-E	450412
7187LUP	JN-MN	472157!	72-063600	BUC-E	473380	72-101505	BUC-E	415035	72-160537	BUC-E	415303!
7187LUP	JN-MN	472157	72-06385	BUC-E	471689!	72-101505	BUC-E	415035!	72-160550	BUC-E	416956
71884A	MC-CL	470954!	72-063850	BUC-E	471689!	72-10150VE	BUC-E	415035	72-160750	BUC-E	471341!
718895	SPERY	415035=	72-064350	BUC-E	472258!	72-10150VE	BUC-E	415035!	72-161000	BUC-E	472015!
7188S	TIMKE	7188S	72-064500	BUC-E	240319	72-104110	BUC-E	417357	72-16100M	BUC-E	472015!
719021	C-R	357	72-06471	NORDG	416706!	72-104110	BUC-E	455192!	72-161050	BUC-E	471272!
7190LPD	JN-MN	476470	72-064980	BUC-E	42352S	72-10412	BUC-E	417357	72-16500V	BUC-E	473243
7190LUP	JN-MN	476470	72-065660	BUC-E	473215!	72-10412	BUC-E	455192!	72-17100M	BUC-E	413469!
71910C1	IH	473010!	72-066000	BUC-E	6966S	72-104120	BUC-E	417357	72-17115	BUC-E	411253!
71915	VICK	417316!	72-06650V	BUC-E	473228!	72-104120	BUC-E	455192!	72-171150	BUC-E	411253!
7191LPD	JN-MN	416892!*	72-066550	BUC-E	473228!	72-10418	BUC-E	415036	72-174325	BUC-E	416404!
7192	ALLCH	471692!	72-06925	BUC-E	40401	72-104180	BUC-E	415036	72-174326	BUC-E	416404!
7192	TRAC	471692!	72-069250	BUC-E	40401	72-105500	BUC-E	415041	72-174352	BUC-E	455024
7192LPD	JN-MN	417520*	72-071500	BUC-E	4148	72-10550V	BUC-E	415041	72-174365	BUC-E	417492
719316	TIMKE	719316	72-071500	BUC-E	471424!	72-10785M	BUC-E	416865!	72-174385	BUC-E	415991
719373	GMC	411330!	72-071800	BUC-E	40360S!	72-10788	BUC-E	472185!	72-174385	BUC-E	455146!
719374	GMC	472636!	72-072450	BUC-E	472924!	72-107880	BUC-E	416865!	72-174390	BUC-E	415991
7193LPD	JN-MN	417554!	72-07600V	BUTBN	40337S	72-108250	BUC-E	416865!	72-174390	BUC-E	455146!
7193LUP	JN-MN	417554!	72-076100	BUC-E	40316S	72-10825V	BUC-E	416865!	72-175746	BUC-E	415498
719463-1	SPICE	473460	72-076350	BUC-E	416271!	72-110525	BUC-E	417262!	72-177145	BUC-E	472636!
71947	ALLCH	416339	72-076390	BUC-E	415001!	72-112000	BUC-E	330385!	72-177150	BUC-E	415234!
71947	ALLCH	455031!	72-076900	BUC-E	415995!	72-11225M	BUC-E	415072	72-17715V	BUC-E	415234!
7194LPD	JN-MN	455480!*	72-077000	BUC-E	416921!	72-11250	BUC-E	415072	72-177450	BUC-E	417205!
7195LPD	JN-MN	415036*	72-077210	BUC-E	45013S	72-112500	BUC-E	415072	72-177875	BUC-E	45187S
7195LUP	JN-MN	415036	72-077550	BUC-E	5971	72-112501	BUC-E	415072	72-178095	BUC-E	415035
7199LPD	JN-MN	415035	72-077570	BUC-E	412473!	72-11250MV	BUC-E	415072	72-178095	BUC-E	415035!
7199LPD	JN-MN	415035!	72-077710	BUC-E	345146	72-11275V	BUC-E	415072	72-179170	BUC-E	417621!
7199LUP	JN-MN	415035	72-077720	BUC-E	415991	72-115950	BUC-E	416364!	72-179175	BUC-E	417621!
7199LUP	JN-MN	415035!	72-077720	BUC-E	455146!	72-11600V	BUC-E	472560N!	72-179995	BUC-E	415196!
71A7016	GARLK	471472=	72-078050	BUC-E	415437	72-116800	BUC-E	240731	72-180150	BUC-E	416288!
71A7021	GARLK	351487	72-078190	BUC-E	345035	72-12000V	BUC-E	416239!	72-18015V	BUC-E	416288!
71A7023	GARLK	240009*	72-078200	BUC-E	416339	72-120250	BUC-E	416239!	72-180300	BUC-E	476470
71A7032	GARLK	470954*	72-078200	BUC-E	455031!	72-120251	BUC-E	416239!	72-18031	BUC-E	476470
71A7033	GARLK	470954	72-078360	BUC-E	455189	72-12025M	BUC-E	416239!	72-180310	BUC-E	476470
71A7034	GARLK	471554	72-080325	BUC-E	415072	72-122100	BUC-E	416654!	72-183150	BUC-E	415023
71A7045	GARLK	417267	72-080328	BUC-E	415072	72-122300	BUC-E	455194	72-183300	BUC-E	418028
71A7052	GARLK	471224*	72-080342	BUC-E	455583N!	72-122430	BUC-E	415725!	72-183300	BUC-E	455137!

! Industrial Size/Type * Minor Width Difference \$F-M Number Is Part Of A Kit = Call 1-800-480-1212 for price and delivery.

NUMERICAL

Zero Duplication or Recommended		Zero Duplication or Recommended		Zero Duplication or Recommended		Zero Duplication or Recommended					
Mfr. No.	Name	Mfr. No.	Name	Mfr. No.	Name	Mfr. No.	Name				
72-183305	BUC-E	416153!	72-202141	BUC-E	55301S	72-26625	BUC-E	473016!	72-322950	BUC-E	415379
72-183994	BUC-E	415284	72-202141M	BUC-E	55301S	72-266250	BUC-E	473016!	72-322950	BUC-E	415379!
72-184591	BUC-E	415138!	72-202151	BUC-E	476470	72-266250V	BUC-E	473016!	72-324750	BUC-E	455249!
72-185450	BUC-E	417298!	72-20234	BUC-E	55524	72-269250	BUC-E	473215!	72-325850	BUC-E	415437
72-185760	BUC-E	471553!	72-202340	BUC-E	55524	72-26925M	BUC-E	473215!	72-325900	BUC-E	415437
72-18576M	BUC-E	471553!	72-202447	BUC-E	415697!	72-269850	BUC-E	473231	72-325900	BUC-E	415437!
72-18600	BUC-E	416107!	72-202447	BUC-E	455547	72-269900	BUC-E	473231	72-32590V	BUC-E	415437
72-18600	BUC-E	455073	72-202447M	BUC-E	415697!	72-272600	BUC-E	473367!	72-32590V	BUC-E	415437!
72-186100	BUC-E	415021	72-202447M	BUC-E	455547	72-272600	BUC-E	473367	72-325950	BUC-E	417501
72-18610M	BUC-E	415021	72-202630	BUC-E	417433	72-27260V	BUC-E	473367!	72-32595E	BUC-E	417501
72-186250	BUC-E	415023	72-207300	BUC-E	471567!	72-27260V	BUC-E	473367	72-326000	BUC-E	415379
72-186280	BUC-E	415295	72-20730V	BUC-E	471567!	72-274250	BUC-E	473010	72-326000	BUC-E	415379!
72-186300	BUC-E	470950!	72-212300	BUC-E	415984!	72-274300	BUC-E	473010!	72-32600M	BUC-E	415379!
72-186300	BUC-E	6241S	72-21230M	BUC-E	415984!	72-277600	BUC-E	472185!	72-32600M	BUC-E	415379
72-18630M	BUC-E	470950!	72-212800	BUC-E	476470	72-27760M	BUC-E	472185!	72-32600M	BUC-E	417355!
72-18630M	BUC-E	6241S	72-213800	BUC-E	415379!	72-282600	BUC-E	472179	72-32700	BUC-E	417967!
72-186400	BUC-E	474264	72-213800	BUC-E	415379!	72-28260V	BUC-E	472179	72-327000	BUC-E	417967!
72-18640M	BUC-E	474264	72-21380M	BUC-E	476470	72-28560	BUC-E	450273	72-328950	BUC-E	455024
72-186500	BUC-E	471821!	72-21630	BUC-E	415072	72-29075	BUC-E	414045!	72-32895M	BUC-E	455024
72-18650M	BUC-E	471821!	72-216300	BUC-E	415072	72-290750	BUC-E	473238	72-32905M	BUC-E	455026
72-186750	BUC-E	470530!	72-21630M	BUC-E	415072	72-290850	BUC-E	473238	72-32915M	BUC-E	415027
72-18675M	BUC-E	470530!	72-21680V	BUC-E	415116	72-292392	BUC-E	417501	72-32915M	BUC-E	415027!
72-186850	BUC-E	470086	72-21710	BUC-E	417602!	72-29585V	BUC-E	470086	72-329250	BUC-E	416125!
72-18685V	BUC-E	470086	72-217100	BUC-E	417602!	72-295950	BUC-E	473461!	72-32925EV	BUC-E	416125!
72-18685VE	BUC-E	470086	72-21710M	BUC-E	417602!	72-29595VE	BUC-E	473461!	72-32935V	BUC-E	416339
72-18710M	BUC-E	411253!	72-22065	BUC-E	471267!	72-29650	BUC-E	470565!	72-32935V	BUC-E	455031!
72-187200	BUC-E	412119!	72-220650	BUC-E	471267	72-296500	BUC-E	470565!	72-329400	BUC-E	416345!
72-18720M	BUC-E	412119!	72-220750	BUC-E	470954	72-29795V	BUC-E	470088	72-329400	BUC-E	455033
72-187675	BUC-E	417541	72-22080V	BUC-E	472354!	72-297960	BUC-E	473462	72-329450	BUC-E	415034!
72-18860M	BUC-E	471579	72-22090V	BUC-E	472560N	72-298250	BUC-E	411394!	72-32945MEV	BUC-E	415034!
72-189200	BUC-E	50254=	72-22238E	BUC-E	417262!	72-298251	BUC-E	411394!	72-334450	BUC-E	415150!
72-19020V	BUC-E	470605!	72-222400	BUC-E	417262!	72-29830V	BUC-E	411500	72-33445E	BUC-E	415150!
72-19052	BUC-E	470565!	72-223370	BUC-E	417621!	72-298950	BUC-E	410694!	72-334460	BUC-E	415150!
72-190520	BUC-E	470565!	72-22374	BUC-E	417350!	72-29895V	BUC-E	410694!	72-334550	BUC-E	455191
72-193640	BUC-E	415142	72-224225	BUC-E	417563	72-299050	BUC-E	412871!	72-33455VE	BUC-E	455191
72-193840	BUC-E	55193=	72-230900	BUC-E	417546!	72-29905MV	BUC-E	412871!	72-334650	BUC-E	416153!
72-193860	BUC-E	415142	72-23090M	BUC-E	417546!	72-30085	BUC-E	415449!	72-339540	BUC-E	455197N
72-193900	BUC-E	472157!	72-230920	BUC-E	417546!	72-300850	BUC-E	415449!	72-339550	BUC-E	415196!
72-193900	BUC-E	472157!	72-23290E	BUC-E	415645!	72-30195R	BUC-E	415001!	72-33955E	BUC-E	415196!
72-193901	BUC-E	472157	72-23290E	BUC-E	455104	72-302050	BUC-E	417079	72-339650	BUC-E	415196!
72-193901	BUC-E	472157!	72-23295	BUC-E	415645!	72-302100	BUC-E	417079	72-339665	BUC-E	416888!
72-193909	BUC-E	416556!	72-23295	BUC-E	455104	72-304050	BUC-E	415458!	72-339700	BUC-E	416888!
72-193909	BUC-E	472157	72-23300	BUC-E	415645!	72-30495E	BUC-E	415458!	72-339710	BUC-E	416888!
72-19390E	BUC-E	472157	72-23300	BUC-E	455104	72-305000	BUC-E	415458!	72-344650	BUC-E	416153!
72-19390E	BUC-E	472157!	72-233000	BUC-E	415645!	72-307900	BUC-E	417343!	72-34465M	BUC-E	416153!
72-198200	BUC-E	416654!	72-233000	BUC-E	455104	72-307950	BUC-E	417316!	72-34465M	BUC-E	417269!
72-19820M	BUC-E	416654!	72-23300VM	BUC-E	415645!	72-307955	BUC-E	46997S	72-35465ME	BUC-E	415047
72-198450	BUC-E	417487	72-23300VM	BUC-E	455104	72-30795ME	BUC-E	417316!	72-354670	BUC-E	415047
72-198451	BUC-E	417487	72-233500	BUC-E	455584	72-311650	BUC-E	55469	72-35475E	BUC-E	416892!
72-19845M	BUC-E	417487	72-23600V	BUC-E	455583N!	72-31165M	BUC-E	55469	72-354850	BUC-E	416892!
72-19870M	BUC-E	416288!	72-237285	BUC-E	417598	72-312950	BUC-E	416921!	72-35485VE	BUC-E	416892!
72-199700	BUC-E	415072	72-238010	BUC-E	457874	72-31295V	BUC-E	415001!	72-35495	BUC-E	415371
72-199701	BUC-E	415072	72-238600	BUC-E	417562	72-31300	BUC-E	416921!	72-354950	BUC-E	415371
72-199702	BUC-E	416107!	72-23860E	BUC-E	417562	72-313000	BUC-E	416921!	72-35495VE	BUC-E	415371
72-199702	BUC-E	455073	72-239815	BUC-E	417600	72-31420V	BUC-E	472560N!	72-359875	BUC-E	415138!
72-19970M	BUC-E	415072	72-240441	BUC-E	455123	72-314750	BUTBN	40337S	72-359940	BUC-E	417526
72-199720	BUC-E	417487	72-242250	BUC-E	417603!	72-31475V	BUTBN	40337S	72-359950	BUC-E	417247!
72-200180	BUC-E	417298	72-24275M	BUC-E	416077	72-31530V	BUC-E	412040	72-35995M	BUC-E	417247!
72-200180M	BUC-E	417298	72-24300V	BUC-E	416077	72-31535V	BUC-E	471341!	72-360050	BUC-E	416167!
72-20030V	BUC-E	415871	72-24800	BUC-E	415116	72-315685	BUC-E	472164!	72-36005EM	BUC-E	416167!
72-200925	BUC-E	472157!	72-24800V	BUC-E	415116	72-315850	BUC-E	417134	72-360100	BUC-E	417539!
72-200925	BUC-E	472157	72-248250	BUC-E	415116	72-31585M	BUC-E	417134	72-36010E	BUC-E	417539!
72-201800	BUC-E	415871	72-24825V	BUC-E	415116	72-31695	BUC-E	416292	72-365050	BUC-E	415060
72-20180V	BUC-E	415871	72-24825VE	BUC-E	415116	72-316950	BUC-E	416292	72-365050	BUC-E	455060
72-20188	BUC-E	55238	72-248750	BUC-E	455129	72-319950	BUC-E	412473!	72-36505V	BUC-E	415060
72-201880	BUC-E	55238	72-25125V	BUC-E	472354!	72-31995V	BUC-E	412473!	72-36505V	BUC-E	455060
72-20195	BUC-E	417198	72-253750	BUC-E	55301S	72-32265	BUC-E	415991	72-365140	BUC-E	415064
72-201950	BUC-E	417198	72-253800	BUC-E	415090	72-32265	BUC-E	455146!	72-36520V	BUC-E	456890
72-201951	BUC-E	417198	72-25625M	BUC-E	415023	72-32287	BUC-E	415991	72-365228	BUC-E	417269!
72-20195EV	BUC-E	417198	72-259985	BUC-E	417570	72-32287	BUC-E	455146!	72-365250	BUC-E	417273
72-20212	BUC-E	416706!	72-26500	BUC-E	473224!	72-322870	BUC-E	415991	72-36525M	BUC-E	417273
72-202120	BUC-E	416706!	72-265000	BUC-E	473224!	72-322870	BUC-E	455146!	72-368500	BUC-E	417254

! Industrial Size/Type = Call 1-800-480-1212 for price and delivery.

Zero Duplication or Recommended		Zero Duplication or Recommended		Zero Duplication or Recommended		Zero Duplication or Recommended		
Mfr. No.	Name	Mfr. No.	Name	Mfr. No.	Name	Mfr. No.	Name	
72-370200	BUC-E	415938	7201600V BUC-E	472157	721003 ADAMS	472157	7218330VE BUC-E	418028
72-37020V	BUC-E	415938	72017 VIC	017	72110 VIC	110	7218330VE BUC-E	455137!
72-370300	BUC-E	415938	72017 VIC	432RR	72110 VIC	408	7218575M BUC-E	471787!
72-37035 BUC-E	417555!	72018 VIC	018	72111 VIC	111	721871 ADAMS	473205	473205
72-370350 BUC-E	417555!	72018 VIC	433RR	72111250 BUC-E	471466!	721871 LETN	473205	473205
72-370370 BUC-E	417555!	7201800E BUC-E	415645!	72112 VIC	112	721871 WABCO	473205	473205
72-375200 BUC-E	416107!	7201800E BUC-E	455104	72113 VIC	113	721872 LETN	471689!	471689!
72-375200 BUC-E	455073	72019 VIC	019	72113 VIC	411	721872 LETN	471689!	471689!
72-375201 BUC-E	416107!	72019 VIC	434RR	72114 VIC	114	72187900 BUC-E	471765!	471765!
72-375201 BUC-E	455073	7201LPD JN-MN	472636!	72114 VIC	412	72188450 BUC-E	6863S!	6863S!
72-37520ME BUC-E	416107!	7202 C-R	19X27X6	72115 VIC	115	7218845M BUC-E	6863S!	6863S!
72-37520ME BUC-E	455073	72020 VIC	020	72115 VIC	116	72188600 BUC-E	471579	471579
72-37550EV BUC-E	416107!	72020 VIC	435RR	72116 VIC	414	7218920V BUC-E	50254=	50254=
72-37550EV BUC-E	455073	72021 VIC	021	72116250 BUC-E	470954!	72193855 BUC-E	455134!	455134!
72-37565V BUC-E	416107!	72021 VIC	436RR	72117 VIC	117	7220 C-R	19X35X10!	19X35X10!
72-37565V BUC-E	455073	72022 VIC	022	72117 VIC	440RR	7220 C-R	710273	710273
72-37575 BUC-E	417556	72023 VIC	023	72118 VIC	118	7220 C-R	710445*	710445*
72-375750 BUC-E	417556	72023 VIC	437RR	72118 VIC	441RR	7220263 BUC-E	417433	417433
72-38225 BUC-E	416666	7202300V BUC-E	415938	72119 VIC	119	722050 WABCO	417433!	417433!
72-382250 BUC-E	416666	7202375 NORDG	471649!	72119 VIC	442RR	722051 ADAMS	417210!	417210!
72-385650 BUC-E	416476!	72024 VIC	024	72120 VIC	120	722051 LETN	417210!	417210!
72-38565VM BUC-E	416476!	72024 VIC	438RR	72121 VIC	121	722051 WABCO	417210!	417210!
72-409124 BUC-E	415327	72025 VIC	025	72122 VIC	122	72206800 BUC-E	471466!	471466!
72-410650 BUC-E	416229	72026 VIC	026	72122 VIC	443RR	7220680V BUC-E	471466!	471466!
72-41065M BUC-E	416229	72027 VIC	027	72123 VIC	123	72207XX TIMKE	7X22X7	7X22X7
72-41090V BUC-E	416229	72028 VIC	028	72124 VIC	124	72210 VIC	210	210
72-410910 BUC-E	415327	7202820 NORDG	470712!	72125 VIC	125	722106 ADAMS	417344!	417344!
72-41405 BUC-E	417596	7202850M BUC-E	417602!	72126 VIC	126	722106 LETN	417344!	417344!
72-415900 BUC-E	455584	72029 VIC	029	72127 VIC	127	722108 TIMKE	722108	722108
72-41590V BUC-E	455584	7202930 NORDG	470328	72127 VIC	444RR	722109 TIMKE	722109	722109
72-420900 BUC-E	455117	7202930 NORDG	481213!	72128 VIC	128	72211 VIC	211	211
72-420905 BUC-E	455117	72030 VIC	030	7212850V BUC-E	471466!	72212 VIC	212	212
72-42090VM BUC-E	455117	72031 VIC	031	72129 VIC	129	72213 VIC	213	213
72-42350 BUC-E	415551	72031 VIC	439RR	72130 VIC	130	72213 VIC	70484-1	70484-1
72-423500 BUC-E	415551	7203195 NORDG	471766!	7213094 GIB	455328	72214 VIC	214	214
72-430900 BUC-E	455406!	72032 VIC	032	72131 VIC	131	72214 VIC	70800	70800
72-43090V BUC-E	455406!	72033 CHERY	471472!	72132 VIC	132	72215 VIC	215	215
72-43590 BUC-E	455121	72034 VIC	034	72133 VIC	133	72215 VIC	420	420
72-436350 BUC-E	415128	7203400EV BUC-E	415871	72133 VIC	445RR	72216 VIC	216	216
72-632540 BUC-E	412040	72035 VIC	035	72134 VIC	134	72216 VIC	421	421
72-63254V BUC-E	412040	72036A HERCU	412119	72134 VIC	446RR	72217 VIC	217	217
72-63269 BUC-E	472492!	720387 PEERC	471765!	72136 VIC	136	72217 VIC	422	422
72-632690 BUC-E	472492!	72039 VIC	039	72137 VIC	137	72218 VIC	218	218
72-632750 BUC-E	480491	72040 VIC	040	72138 VIC	138	72219 VIC	219	219
72-717100 BUC-E	417602!	7204003 NORDG	455308	72139 VIC	139	72219 VIC	424	424
720004901 EATON	473231!	72042 VIC	042	7214 TIMKE	7214	72220 VIC	220	220
720004902 EATON	473237!	72042537 BUC-E	471984	72140 VIC	140	72220 VIC	425RR	425RR
720004903 EATON	473237!	72043 VIC	043	721403 ADAMS	471267!	72221 VIC	221	221
72000492 EATON	473237!	72044 CHERY	471567!	721403 WABCO	471267!	72222 VIC	222	222
72000492 Y-T	473237!	720463-1 SPICE	412871!	72141 VIC	141	72222 VIC	427RR	427RR
72001 VIC	001	7204710 NORDG	472193!	72142 VIC	142	72223 VIC	223	223
72002 VIC	002	72048 CHERY	471689!	72143 VIC	143	72223 VIC	449RR	449RR
72003 VIC	003	7205 C-R	19X30X7	72144 VIC	144	72223460 BUC-E	410752	410752
72004 SHOV	412871!	7205 C-R	221920	72146 VIC	146	72224 VIC	224	224
72004 VIC	004	7206150 NORDG	411245!	72146 VIC	447RR	72224 VIC	450RR	450RR
72005 VIC	005	720618 GMC	370002A	72148 VIC	148	72225 VIC	225	225
72006 VIC	006	7206271 NORDG	416706!	72149 VIC	149	72225 VIC	35224	35224
72007 VIC	007	7206274 NORDG	415988	72149A HERCU	415995!	722250S TIMKE	722250	722250
72008 VIC	008	72064525 BUC-E	473227	7215 NATL	5126	72226 VIC	226	226
72009 VIC	009	720658 GMC	HU009A	72151 VIC	151	722276 ADAMS	416404!	416404!
7200A C-R	473238	720659 GMC	386025A	72152 VIC	152	722276 LETN	416404!	416404!
72010 VIC	010	720659 GMC	416158	72152 VIC	448RR	722276 WABCO	416404!	416404!
7201000V BUC-E	40101S	7208LPD JN-MN	415327	72153 VIC	153	72228 VIC	228	228
72011 VIC	011	7208LUP JN-MN	415327	72153 VIC	471651	72228 VIC	451RR	451RR
72012 VIC	012	7208S TIMKE	7208S	7215LUP JN-MN	471651	72229 VIC	229	229
7201200V BUC-E	416125!	7208XBO SPG	7208S	7216 TIMKE	7216	7223 C-R	710273	710273
72013 VIC	013	720912 UNIVE	417598	7216LPD JN-MN	473224!	72230 VIC	230	230
72014 VIC	014	720913 MICH	417598	7216LUP JN-MN	473224!	72230 VIC	452RR	452RR
72014 VIC	431RR	7210 C-R	19X32X8!	72179150 BUC-E	55155=	722309 WOOL	417159	417159
72015 VIC	015	7210 C-R	221922	7217915M BUC-E	55155=	72231 VIC	231	231
72016 VIC	016	721002 ADAMS	410496!	721797 WABCO	471766!	72231 VIC	453RR	453RR
7201600V BUC-E	472157!	721003 ADAMS	472157!	7218030M BUC-E	476470	72232 VIC	232	232

! Industrial Size/Type * Minor Width Difference = Call 1-800-480-1212 for price and delivery.

NUMERICAL

Zero Duplication or Recommended			Zero Duplication or Recommended			Zero Duplication or Recommended			Zero Duplication or Recommended		
Mfr. No.	Name	Industrial	Mfr. No.	Name	Industrial	Mfr. No.	Name	Industrial	Mfr. No.	Name	Industrial
72232	VIC	454RR	7242	SPG	42763	72623	VIC	6033030	73007102	FI-AL	415449!
72234	VIC	234	72426	VIC	426	72624	VIC	6035030	73007388	FI-AL	473460
72235	VIC	235	7243	SPG	40769S	72625	VIC	6036030	73007497	FI-AL	415498
72236	VIC	236	72433	VIC	433	72626	VIC	6038030	73007498	FI-AL	450143
72238	VIC	238	7244	SPG	40185	72627	VIC	6038040	73008	VIC	800080
72238	VIC	455RR	72443	VIC	443	72628	VIC	6041040	73008139	FI-AL	415995!
72239	VIC	239	724445	GMC	471570!	72629	VIC	6044040	7300S	TIMKE	7300S
722392	LETN	456305	72446	VIC	446	726929	WILYS	451948	73010	VIC	800100
722392	WABCO	456305	7245	TIMKE	7245	72695A	HERCU	240119	73012	VIC	800120
7223S	SPG	471344	724510	GMC	1012	727026	WILYS	416919	73013	VIC	800130
72242	VIC	242	724510	GMC	1012N	72708	C-P	471281!	73013171	FI-AL	415960!
72242	VIC	456RR	724510	GMC	45X62X8!	72708	GE	471281!	73014	VIC	800140
722463-1	SPICE	455576!	724511	GMC	33X50X12!	7272	TEKNI	471619!	73014379	FI-AL	416282
722463-2	SPICE	417602!	724513	GMC	33X50X12!	727345	WABCO	471649!	73014434	FI-AL	415725!
72248	VIC	248	724571	ADAMS	412473!	72737	ALLCH	417555!	73016	VIC	800160
72249	VIC	249	724571	LETN	412473!	727410	TIMKE	727410	73017034	FI-AL	415991
72252	VIC	252	724633	SPICE	417487	727463-1	SPICE	470565!	73017034	FI-AL	455146!
7226125M	BUC-E	415227!	724860	ADAMS	470565!	7274633	SPICE	471341!	73018	VIC	800180
72261260	BUC-E	55228=	724860	LETN	470565!	7275	C-R	19X46X7	73018434	FI-AL	415379!
72265	VIC	265	724925	UNIVE	455406!	727584	WABCO	415187	73018434	FI-AL	415379
72266100	BUC-E	450400	724926	MICH	455406!	727695	LETN	471224!	73020	VIC	800200
72268100	BUC-E	470059	7250	C-R	19X38X7	727695	WABCO	471224!	73021053	FI-AL	471224!
72268100	BUC-E	470380!	72502	VIC	OK311	727739	LETN	417350!	73021065	FI-AL	417344=
7226885	NORDG	473227!	72503	VIC	OK312	727739	WABCO	417350!	73022	VIC	800220
72269750	BUC-E	470059	7251	C-R	710154	7280	C-R	19X47X7	73022043	FI-AL	415960
72269750	BUC-E	470380!	725147	ADAMS	415449!	72813	C-R	185X210X13	73022066	FI-AL	415371
7226975E	BUC-E	470059	72515	C-R	416044	728143	LETN	471413!	73024620	FI-AL	412119
7226975E	BUC-E	470380!	725157	ADAMS	417316!	728143	WABCO	471413!	73024645	FI-AL	472439
72272250	BUC-E	50254=	725157	LETN	417316!	7284112	HUB-C	473197	73024692	FI-AL	473238
7227225V	BUC-E	50254=	725157	WABCO	417316!	728463-2	SPICE	416107!	73024729	FI-AL	455330!
7227235E	BUC-E	50254=	72539	C-R	415116*	728463-2	SPICE	455073	73025	VIC	800250
7227810	BUC-E	470059	72540	C-R	415116	728491	LETN	471649!	73027709	FI-AL	417316=
7227810	BUC-E	470380!	72541	C-R	415116	728491	WABCO	471649!	73028	VIC	800280
7227LPD	JN-MN	456105*	72542	CLIN	254270	728500	ADAMS	415082	73028697	FI-AL	410308*
7227LUP	JN-MN	456105	725422	ADAMS	412920!	728500	LETN	415082	73028740	FI-AL	471224!
72282550	BUC-E	474274	725422	WABCO	411376!	728500	WABCO	415082	73030	VIC	800300
7229	TEKNI	471466!	725550	ADAMS	474279N	728664	LETN	476470	73032	VIC	800320
72292H	WAUKE	471821!	725550	LETN	474279N	728730	US-EL	481568!	73033846	FI-AL	471442!
7230	C-R	221925	725550	WABCO	474279N	728937	UNIVE	455121	73034853	FI-AL	471224=
72325	VIC	325	725550917-473-A	BENDI	474279N	728938	MICH	455121	73034883	FI-AL	470530
72325	VIC	428RR	725551	LETN	481534	729010XX	TIMKE	72X90X10	73034958	FI-AL	415984=
72326	VIC	326	725581	ADAMS	471766!	729510XX	TIMKE	72X95X10	73034959	FI-AL	412119
72326	VIC	429RR	725581	LETN	471766!	72D4	WHITE	6644	73035	VIC	800350
72326006	BUC-E	455178=	725581	WABCO	471766!	72X10010XX	TIMKE	72X100X10	73035083	FI-AL	472636
72327	VIC	327	72558R91	IH	5403	72X10012XX	TIMKE	72X100X12	73035084	FI-AL	415104N=
72329	VIC	329	72562R91	IH	5403	72X100X10AN	ISP	72X100X10	73037744	FI-AL	471692=
72329	VIC	457RR	7260	C-R	19X40X10	72X100X12SC	TRSCM	72X100X12	73037969	FI-AL	417487!
72330	VIC	330	72600	VIC	6003020	72X100X12TC	TRSCM	72X100X12	73037969	FI-AL	417487
72331	VIC	331	72601	VIC	6004020	72X7450	GARLK	204005	73037981	FI-AL	471272 *=
72332	VIC	332	72602	VIC	6005020	72X7451	GARLK	6832S	73037990	FI-AL	473238=
72333	VIC	333	72603	VIC	6006020	72X7452	GARLK	6832S	73038	VIC	800380
72333	VIC	458RR	72604	VIC	6007020	72X7455	GARLK	204017	73038222	FI-AL	415854
72334	VIC	334	72605	VIC	6008020	72X7457	GARLK	204008	73038223	FI-AL	470764!
72335	VIC	335	72606	VIC	6010020	72X7458	GARLK	204007=	73038223	FI-AL	50764
72335	VIC	459RR	72607	VIC	6010025	72X7459	GARLK	204038	73038675	FI-AL	473231!
72336	VIC	336	72608	VIC	6011025	72X7460	GARLK	204038	73039422	FI-AL	471554!
72337	VIC	337	72609	VIC	6012025	72X7461	GARLK	204002	73040	VIC	800400
72340	VIC	340	72610	VIC	6014025	72X8133	GARLK	6590S	73040054	FI-AL	470565!
72342	VIC	342	72611	VIC	6016025	72X90X10AN	ISP	72X90X10	73040062	FI-AL	415327
72343	VIC	343	72612	VIC	6017025	72X95X10SC	TRSCM	72X95X10	73040119	FI-AL	415551
72345	VIC	345	72613	VIC	6019025	72X95X10TC	TRSCM	72X95X10	73042826	FI-AL	8907
723463-1	SPICE	473243	72614	VIC	6019030	73	BL-KN	473243	73045	VIC	800450
7235S	TIMKE	7235S	72615	VIC	6020030	73-0007	MCCOR	13338	73045043	FI-AL	45187S
7236RPD	JN-MN	55218=	72616	VIC	6022030	730002	NATL	733067	730461-1	SPICE	417480!
7237A	C-R	450536	72617	VIC	6024030	730013	NATL	733067	730463-1	SPICE	417480!
7237A	C-R	471535!	72618	VIC	6025030	730015	NATL	733067	73048835	FI-AL	410737!
72388345	BUC-E	55692=	72619	VIC	6027030	730028	NATL	733067	73050	VIC	800500
723K1	WHITE	480630!	72620	VIC	6028030	73003	VIC	800030	73055	VIC	800550
7240	C-R	19X37X7	72621	VIC	6030030	73004	VIC	800040	73056536	FI-AL	2505
7240	CHERY	473213!	72621A	HEIL	470954	73005	VIC	800050	73060	VIC	800600
7241	CHERY	473215!	72621A	HERCU	470954	73006	VIC	800060	73065	VIC	800650
7242	CHERY	417316!	72622	VIC	6032030	73007	VIC	800070	73070	VIC	800700

! Industrial Size/Type * Minor Width Difference = Call 1-800-480-1212 for price and delivery.

Zero Duplication or Recommended		Zero Duplication or Recommended		Zero Duplication or Recommended		Zero Duplication or Recommended	
Mfr. No.	Name	Industrial	Mfr. No.	Name	Industrial	Mfr. No.	Name
730707X1 IH		416888!	73459 CROWN		415449!	7399S TIMKE	7399S
73073R91 IH		470954!	734631 SPICE		472397!	7399S WMG	12305286
73075 VIC		800750	7346LPD JN-MN		474264	73A575BH1 GE	471224!
73080 VIC		800800	7346LUP JN-MN		474264	73P3 WHITE	40094S
730813X91 IH		417355!	7347LPD JN-MN		472394*	73W1 WHITE	416345!
73085 VIC		800850	7347LUP JN-MN		472394	73W1 WHITE	455033
73085 WAUKE		415442!	7348 TMTR		470954	74-0003 MCCOR	35127
73085 WAUKE		55442	73482 MURRA		417433	74-0096 MCCOR	25598
73090 VIC		800900	7348LPD JN-MN		474253	74-0117 MCCOR	35315
73095 VIC		800950	7348LUP JN-MN		474253	74-0118 MCCOR	35507
73100 VIC		801000	734A575AM GE		472258	74-0147 MCCOR	35292
73104650 FI-AL		J1105	734A575AM1 GE		472258	74-0148 MCCOR	35300
73104651 FI-AL		473238!	734A575AN GE		470328	74-0164 MCCOR	35011
73107084 FI-AL		40094S	734A575AN GE		481213!	74-0164 MCCOR	35394
73110 VIC		801100	734A575BBP1 GE		6760S	74-0198 MCCOR	35001
73110938 FI-AL		J1107	734A575BC GE		471224!	74-0204 MCCOR	35524
73110940 FI-AL		472397!	734A575BC1 GE		471224!	74-0211 MCCOR	35486
73120 VIC		801200	734A575BCP1 GE		471224!	74-0224 MCCOR	35555
731202 WILYS		240151	735006 WILYS		9613S	7400 C-R	473416
73123794 FI-AL		200870	73546311 SPICE		470898	7400 C-R	710272
73124116 FI-AL		JV980=	7354N TIMKE		7354N	74001449 FI-AL	472394
73124610 FI-AL		455655!	7358 EATON		473464!	74014 MURRA	455251H
73126934 FI-AL		370030A	7358 EATON		473464	740158 WILYS	6489
73130 VIC		801300	735884X WILYS		471643!	740173 MCCOR	427
73140 VIC		801400	735995 WILYS		472560N	74024562 FI-AL	456641
731463-1 SPICE		473239	735996 WILYS		472560N	74028922 FI-AL	7568
731463-4 SPICE		471689!	73605H IH		410496!	74029502 FI-AL	417360
73150 VIC		801500	7360LPD JN-MN		415351!	74029556 FI-AL	JX1828=
731523 WILYS		240151	7360LUP JN-MN		415351!	74043977 FI-AL	415035!
73160 VIC		801600	7361LPD JN-MN		473463	74043977 FI-AL	415035
73170 VIC		801700	7361LUP JN-MN		473463	74061865 FI-AL	417360
73180 VIC		801800	73628 MURRA		55218=	74062088 FI-AL	417360
73190 VIC		801900	73645 MURRA		415991	74063H IH	323138!
73193 ALLCH		412473!	73645 MURRA		455146!	74065 EATON	410686N
73194 ALLCH		55301S	736463-1 SPICE		471138!	7408 C-R	727410
731968 CLARK		470954	73658 WAUKE		471821!	7409 C-R	240735
73197 ALLCH		471887	7365LPD JN-MN		473367!	7410 C-R	727410
73200 VIC		802000	7365LPD JN-MN		473367	7411 C-R	312518!
732228 KELSE		413247=	7365LUP JN-MN		473367!	7411 C-R	342518
732229 KELSE		353132	7365LUP JN-MN		473367	7411429 HWY	312196!
732246 KELSE		473474=	73687 HYST		55469	741147 GMC	370036A
732328 KELSE		415035	736K1 WHITE		6597S	741147 GMC	370349A
732333 KELSE		415027	7370 TAYLR		204038	741147 GMC	380036A
732334 KELSE		370020A	7372612 CONTI		472150	7412 C-R	7214
732347 FABCO		416364!	73745 C-R		455117*	7412257 WESTO	BS25035
732347 KELSE		416364!	737463-1 SPICE		415483	7412463 WESTO	BS40110
732348 FABCO		418028	737463-2 SPICE		416278	7412521 WESTO	BS40380
732352 FABCO		417349!	737478 GMC		470380!	7412547 WESTO	BS40396
732355 FABCO		415146!	737478 GMC		472189A!	7412661 WESTO	BS40509
732355 FABCO		415991	73750 C-R		455117	7412711 WESTO	BS40578
732357 FABCO		471267!	73751 C-R		455117	7412729 WESTO	BS40592
732372 FABCO		417316!	7375410 CONTI		240356	7412745 WESTO	BS40620
732372 KELSE		417316* =	7376 F-R-H		411253!	7412S TIMKE	7412S
7325LUP JN-MN		416624!*	73760 C-R		415317	7413 C-R	240816
73260009 TROS		415072	73761 C-R		415317	7413 C-R	7929S
73263207 TROS		415294!	7378 TIMKE		7378	7413R XR SPG	9613S
7329 ALOY		3348	738028X WILYS		415991	7414 C-R	254270!
733 GREEN		240736	738028X WILYS		455146!	74147 GMC	370036A
7332 CHAMP		240356	7380S SPG		415302	74147 GMC	370349A
733290 WILYS		471141!	7381S TIMKE		7381S	7415 C-R	343185
73339 WAUKE		40085S	7383S SPG		321460	7416599 CONTI	415458!
7335 NATL		473235	73857 ALLCH		471984	74166 HOUGH	471504!
7335LPD JN-MN		417547	738612 C-R		55692=	74166 WAUKE	473179
7336LPD JN-MN		417548	73873 EATON		9128S	7416B1 WABCO	473230!
7338N TIMKE		7338N	7388 ALLCH		473460	74192A HERCU	471649!
7340LPD JN-MN		55224* =	7388 TRAC		473460	7420 C-R	470954*
7340LUP JN-MN		456105	7391S SPG		9376	7422 C-R	470954!
7340LUP JN-MN		55224=	7394631 SPICE		415899N	7424 C-R	470954!
73433 CROWN		471267!	7394631 SPICE		416624	74241862 FI-AL	471341!
734504 WILYS		410059	73949 WAUKE		501995!	742463-1 SPICE	416865!
734504 WILYS		470380!	73949 WAUKE		6863S!	742463-2 SPICE	473367!
73453 CROWN		416271!	7399S NATL		343105	742463-2 SPICE	473367!
742463-5 SPICE		415138!				742533297 FI-AL	40438S
742463-7 SPICE		473233!				74253341 FI-AL	471571
7424636 SPICE		471224!				74253609 FI-AL	40566S
74251862 FI-AL		471341!				74253670 FI-AL	40370S
74252177 FI-AL		415379				74253765 FI-AL	473231!
74253052 FI-AL		416271!				74253769 FI-AL	455583N!
74253297 FI-AL		40438S				74253781 FI-AL	417171!
74253341 FI-AL		471571				74253982 FI-AL	472287!
74253609 FI-AL		40566S				74253999 FI-AL	455336
74253670 FI-AL		40370S				74254050 FI-AL	471570!
74253765 FI-AL		473231!				74254101 FI-AL	473010
74253769 FI-AL		455583N!				74254152 FI-AL	470898
74253781 FI-AL		417171!				74254177 FI-AL	471413
74253982 FI-AL		472287!				74254228 FI-AL	415458!
74253999 FI-AL		455336				74254269 FI-AL	470954!
74254050 FI-AL		471570!				74254670 FI-AL	471787!
74254101 FI-AL		473010				74254936 FI-AL	472258
74254152 FI-AL		470898				74254954 FI-AL	450639
74254177 FI-AL		471413				74254963 FI-AL	471554!
74254228 FI-AL		415458!				74254986 FI-AL	40433S
74254269 FI-AL		470954!				74255130 FI-AL	471829
74254670 FI-AL		471787!				74255301 FI-AL	471224
74254936 FI-AL		472258				74255587 FI-AL	471424!
74254954 FI-AL		450639				74255839 FI-AL	471787!
74254963 FI-AL		471554!				74255851 FI-AL	40389S
74254986 FI-AL		40433S				74256022 FI-AL	470530* =
74255130 FI-AL		471829				7426497 WESTO	13338
74255301 FI-AL		471224				7426653 WESTO	16201
74255587 FI-AL		471424!				7426679 WESTO	16202
74255839 FI-AL		471787!				7426927 WESTO	16203
74255851 FI-AL		40389S				7426935 WESTO	16204
74256022 FI-AL		470530* =				7426950 WESTO	16212
7426497 WESTO		13338				7426968 WESTO	16213
7426653 WESTO		16201				7426976 WESTO	16214
7426679 WESTO		16202				7426A C-R	417507!
7426927 WESTO		16203				7426A C-R	417507
7426935 WESTO		16204				7428 C-R	470954!
7426950 WESTO		16212				7429798 WESTO	TCS45108
7426968 WESTO		16213				7429921 WESTO	TCS45472
7426976 WESTO		16214				7429947 WESTO	TCS45473
7426A C-R		417507!				7429962 WESTO	TCS45483
7426A C-R		417507				742EP46740 LUF	370036A
7428 C-R		470954!				742EP46740 LUF	370349A
7429798 WESTO		TCS45108				742EP49180 LUF	370036A
7429921 WESTO		TCS45472				742EP49180 LUF	370349A
7429947 WESTO		TCS45473				742EP49247 LUF	HU009A
7429962 WESTO		TCS45483				742EP49249 LUF	HU011A
742EP46740 LUF		370036A				742EP49252 LUF	HU013A
742EP46740 LUF		370349A				74301537 FI-AL	471763
742EP49180 LUF		370036A				743034 CLARK	417269=
742EP49180 LUF		370349A				7430S SPG	370015A
742EP49247 LUF		HU009A				74310523 FI-AL	471192
742EP49249 LUF		HU011A				74310527 FI-AL	471643!
742EP49252 LUF		HU013A				74311323 FI-AL	416332!
74301537 FI-AL		471763				7431380 WESTO	TCS45603
743034 CLARK		417269=				7431810 WESTO	TCS45635
7430S SPG		370015A				7431919 WESTO	TCS45724
74310523 FI-AL		471192				7432 C-R	470954!
74310527 FI-AL		471643!				743231 CLARK	240356
74311323 FI-AL		416332!				7432420 WESTO	TCS45847
7431380 WESTO		TCS45603				7433 C-R	470954
7431810 WESTO		TCS45635				74331983 FI-AL	457291
7431919 WESTO		TCS45724				74334 WAUKE	

Zero Duplication or Recommended Industrial		Zero Duplication or Recommended Industrial		Zero Duplication or Recommended Industrial		Zero Duplication or Recommended Industrial					
Mfr. No.	Name	Mfr. No.	Name	Mfr. No.	Name	Mfr. No.	Name				
743463-5	SPICE	417171!	7459001	WESTO	25598	74P3	WHITE	40097S	7530	C-R	240027=
74349736	FI-AL	472234	7460	C-R	470954!	75	BL-KN	417490	753081	ALLCH	416891!
7436363	WESTO	35224	7461	C-R	470954!	7500	ALOY	5124	753081C33	ALLCH	416891!
7437	C-R	470954*	74610	CROWN	6668S	75013S	TROS	340771	753087	DAVIS	472164!
74371692	FI-AL	473214!	74611773	FI-AL	471567!	7502	C-R	471554!	7531	C-R	471554!
743845	CLARK	470625!	7462	C-R	470954!	75020	C-R	415551=	7533	C-R	471554
74386879	FI-AL	471649!	74630121	FI-AL	J1123	7503	C-R	471554!	7534	C-R	240027=
74386927	FI-AL	471689!	74630273	FI-AL	415165H*=	75030	C-R	415867	753463-1	SPICE	471344
74387605	FI-AL	471688=	7464	C-R	470954!	75030	FITZ	5M81	75359	GRAY	470059
7439	C-R	470954!*	746463-1	SPICE	473215!	75035	C-R	415867	75359	GRAY	470380!
74390171	FI-AL	455583N=	7465	C-R	470954!	75036	C-R	415867	7535A	C-R	470334!
74391019	FI-AL	471472!	74658	WAUKE	471821!	75040	SPICE	415001!	7536	C-R	471554!
74394036	FI-AL	J1838*=	7467	C-R	470954	7505	C-R	471554!	7536	DICO	204029
743987	LONG	204027	7469	C-R	470954!	75050	C-R	415551*	7536	DICO	204507!
7440	C-R	470954!	7474	C-R	480821!	75052	C-R	415551=	75360	GRAY	472439
7441	ALOY	415458	7475	C-R	480821!	750530	C-R	417780*	75361	GRAY	411253!
74410	AM WH	472439	7475	C-R	7013S	750530M1	C-R	417780*	75362	GRAY	416921!
74418	WAUKE	55236	747528	C-R	455297	75054	DGASK	BS40380	7537	AT SU	7537S
7442N	SPG	7442H	747530	C-R	417780	7506	FAIRB	415072	7537	C-R	471554
7443	C-R	470954!	747616	C-R	415294!	7506	GR-DV	415072	753764	DAVIS	350936
7444	SPICE	473226	74764	C-R	415074	7506	MINMA	415072	7537S	TIMKE	7537S
744463-1	SPICE	416229	74766	C-R	455583N!	75060	C-R	415551	7538	C-R	481443!
7445	ALOY	5121	74768	C-R	455480!	75061	C-R	415551	7539	FULLE	415041
7445	C-R	470954!	7478	C-R	470954!*	75066	C-R	455583N!*	7539	FULLE	471466
744581	HESST	470605!	74789	WAUKE	471442!	75066M1	C-R	455583N!*	754044	DAVIS	240735
7446	ALOY	3087	7479	C-R	480821!	7506K	SUL	415072	75416	FITZ	5M289
7446	C-R	470954!	7479	C-R	7013S	7507A	C-R	473367	7542	ALOY	493291
744631	SPICE	471224!	7480	C-R	470954	7507A	C-R	473367!	7542	C-R	471554!
744634	SPICE	416271!	74800	C-R	185X215X16	7508	C-R	471554!*	754226	DAVIS	472397!
744682	CATER	416044	74805	C-R	190X220X15	75088	ALLCH	415138!	7542B	CATER	411253!
7447	C-R	470954!	74805	C-R	190X220X16!	75089	FITZ	5M89	7542B	HYST	411253!
744789	HESST	455280	74808	C-R	190X225X16V	750A6	C-R	415072*	75453	FITZ	5MR71
7448	C-R	470954!	7481	ALOY	8935S	750H6	C-R	415072*	7545A	C-R	413469!
74482	AM WH	471442!	7481	C-R	480821	750H66-TB	C-R	455583N!	754642	SPICE	418028
744888	HESST	204029	7481	SPICE	474131	750W34-L	C-R	5405	754642	SPICE	455137!
744888	HESST	204507!	7481	SPICE	480821!	7510	C-R	471554!*	75479	FITZ	5MR71
7449	C-R	470954	74818	C-R	190X230X16	7510512A	HARWA	75X105X13	7548	C-R	471554!
7450	C-R	470954	74819990	FI-AL	416556!	7510A	C-R	350364	75480	FITZ	5MR71
7450	C-R	470954!	74819990	FI-AL	472157	7511013B	HARWA	75X110X12	7548S	SPG	3095
74501458	FI-AL	471765!	7482	C-R	480821!	75111	WAUKE	470059	7549	C-R	471554!
7450174	WESTO	BS40387	7484	C-R	471554!	75111	WAUKE	470380!	75498	FITZ	5M356
7450190	WESTO	BS40449-1	7484	SPICE	471554!	75117	WAUKE	470059	755020C	SPG	473244
74513621	FI-AL	472439	74841	GRAM	473471	75117	WAUKE	470380!	75503	FITZ	5M445
74516033	FI-AL	JX1238=	74854	ALLCH	415138!	75117A	WAUKE	470059	755185C	SPG	415483!
74516102	FI-AL	JX1363=	748616M1	C-R	415294!	75117A	WAUKE	470380!	755238C	SPG	3341
745201X	WILYS	473239	7486S	TIMKE	473237	7512	C-R	471554!	75531	CROWN	471442!
7452279	WESTO	35011	7487	AT SU	7994S	7512	EATON	415991	755324C	SPG	472655
745267	DAVIS	341022	7487	SPG	7994S	7512	FULLE	415991	7554	C-R	471567!*
7452S	SPG	370019A	748H6	C-R	415072*	7512SSO	TIMKE	7512SSO	755463-1	SPICE	473204
7453	C-R	470954	74907118	FI-AL	416297	7513	C-R	471554!	755463-2	SPICE	473204
74538B	HERCU	240319	749077	DAVIS	471766	751369	MARMO	470088	755463-3	SPICE	470954
7453S	SPG	370021A	749234	DAVIS	340815	751463-1	SPICE	415379	755463-4	SPICE	471854!
745463-4	SPICE	472015!	749242	DAVIS	471341!	7515	C-R	471554!	7554655	SPICE	473204
7454635	SPICE	417343!	7493	C-R	471554!	7517	C-R	471554!	7555	C-R	471567!
7454S	SPG	370005A	7494	C-R	471554!	7520	C-R	471554!	75569	FITZ	5M81
7455	C-R	470954	7494	SPICE	471554!	75213	SPICE	415001!	75573	FITZ	5MR71
74555301	FI-AL	471224	749510	LONG	471744!	7522	C-R	471554!	755781	CLARK	471750!
74559	C-P	471571	7495S	TIMKE	473214	752352	DAVIS	474272!	75581	RENAU	35X50X8!
7455S	SPG	370006A	7497	ALLCH	415498	752463-1	SPICE	471854!	75581	RENAU	3771
74568	WAUKE	471744!	7497	TRAC	415498	75249336	FI-AL	415483	75594	ALLCH	471341!
7456A	F-R-H	481864	7498	ALOY	8704S	75249336	FI-AL	J1117	7561	ALOY	8121S
7457	C-R	470954!	7498	C-R	471554!	75251S	TIMKE	75251S	7562	ALOY	331227H
7457	SPG	7457N	7498	TRAC	450143	7526	C-R	471554!	75628	FITZ	5M403
74573	ALLCH	472029	74988992	FI-AL	471504	75260H	FULLE	472179	7563	ALOY	471827!
74574	ALLCH	415995!	7499	ALOY	8695S	75260H	IH	472179	75637	FITZ	5M403
74575	ALLCH	471870!	74994488	FI-AL	416130!	75266	FITZ	473450!	7564	C-R	471567!*
74575	KEN	471870!	74DT7052B3A	FORD	2655	7527	C-R	471554!	75644	FITZ	5M406=
7457N	TIMKE	7457N	74DT7A248A3A	FORD	2658	75270	FITZ	5M356	7565	ALOY	6840S
7458854	WESTO	35292	74HB1175AA	FORD	370019A	7528	C-R	471554!	7565	C-R	471567!*
7458870	WESTO	35533	74HB1175CA	FORD	416865	75280	SPICE	416158	75661	FITZ	6064
7458938	WESTO	35315	74HB1190AA	FORD	370087A	7529	C-R	471554!	75662412	TROS	417563
7458946	WESTO	427RR	74HB1190AD	FORD	370087A	753	CARDX	473211!	75669	FITZ	5M89

! Industrial Size/Type * Minor Width Difference = Call 1-800-480-1212 for price and delivery.

Zero Duplication or Recommended		Zero Duplication or Recommended		Zero Duplication or Recommended		Zero Duplication or Recommended	
Mfr. No.	Name	Mfr. No.	Name	Mfr. No.	Name	Mfr. No.	Name
75673	FITZ	5M466	760096C SPG	473446	7686S TIMKE	7686S	7701349138 RENA
7568	ALOY	473235	7600S TIMKE	7600S	76872 BENDI	471570!	7701349595 AMC
7568	TIMKE	7568	7602 CHAMP	471692!	7687S TIMKE	7687S	7701349595 RENA
75681	FITZ	5M81	7603 CHAMP	471791	7689 C-R	470390*	7701349596 RENA
7569	C-R	471567!	7604 CHAMP	473239	7689S SPG	473473	7701349625 AMC
7570	C-R	471567!	760463-1 SPICE	417040	7690 C-R	470390	7701349626 RENA
7571	C-R	471567!	7607 TIMKE	7607	76916TA TRSCM	417598	7701349629 RENA
75715	FITZ	5M559	7607A C-R	472354!	7692 C-R	473407	770308097 AMC
75717	FITZ	5MR1008	760885-C91 IH	370023A	7692S TIMKE	7692S	7703087035 RENA
75718	FITZ	5MR1009	760886-C91 IH	HU066A	7693 C-R	472649	7703087057 RENA
7572	C-R	471567!	760908M1 MASSE	471137	76946 BENDI	472179	7703087068 RENA
7572	FULLE	471718!	761109 ELRNG	25598	76976 WAUKE	471281!	7703087071 RENA
75721	FITZ	5M497	7612S NATL	353135	76VB1175BA FORD	2820 =	7703087075 RENA
75724	FITZ	5M544	7612S NATL	474278!	76X13 GARLK	330385!	7703087075 RENA
7573	C-R	471567!	761463-1 SPICE	472439	76X1329 GARLK	472015!	7703087079 RENA
75767	ALLCH	455820	761463-2 SPICE	472164!	76X1482 GARLK	471138!	7703087079 RENA
7577A	C-R	415001!	761591-C91 IH	HU028A	76X291 GARLK	471649!	7703087080 RENA
7579	C-R	471567!	761592-C1 IH	730001	76X3130 GARLK	415938	7703087087 RENA
7579A	C-R	473464!	761654M1 MASSE	412473!	76X4701 GARLK	472954	7703087087 RENA
7579A	C-R	473464	7618 AT SU	9150S	76X5085 GARLK	481537	7703087097 AMC
757A7	WHITE	471192	761882M1 MASSE	471718!	76X51 GARLK	471526!	7703087104 RENA
7580	C-R	471567!	7618S SPG	9150S	76X541 GARLK	471192	7703087106 RENA
7580A	C-R	350435	761D6 WHITE	5471	76X6099 GARLK	481397	7703445 FT-WA
7581H	TIMKE	415449	76208C DIA	6270	76X6103 GARLK	471529	7704631 SPICE
758463-7	SPICE	413247 =	76210 C-R	416102	76X6113 GARLK	1049	77049 CROWN
758463-8	SPICE	473229 =	76215 C-R	416102	76X6156 GARLK	471270!	7705 FULLE
758463-9	SPICE	473204 =	762463-1 SPICE	J1139 =	76X6169 GARLK	471652	7707246 GMC
75856TA	TRSCM	415867	76246361 SPICE	370043A	76X6186 GARLK	7412S	7707246 GMC
7587	C-R	471567!	76250 C-R	417598	76X714 GARLK	473229	770895 EL-PA
7588	C-R	450340	76251 C-R	417598	76X7482 GARLK	455583N!	770914 EL-PA
758A7	WHITE	473227	76255 C-R	417598	76X7488 GARLK	471551!	77099 MATHR
759008A	HARWA	75X90X10	7627 C-R	471643!	76X7501 GARLK	330699!	771018 EL-PA
759008XX	TIMKE	75X90X8	7628 C-R	471643!	76X7504 GARLK	472705!	771081 EL-PA
759010XX	TIMKE	75X90X10	762D6 WHITE	JV701	76X7510 GARLK	472311!	771085 EL-PA
75908F	DIA	5405	7631 C-R	471643!	76X7512 GARLK	1037	771115 HYST
7591	ALOY	331228H	763123 AVCO	42081S!	76X7517 GARLK	481163!	7714892 WESTO
7591	C-R	471498*	7632452 FIAT	713063	76X7518 GARLK	471766!	7715014 WESTO
7591	DOMGA	331228H	7632453 FIAT	713054	76X7520 GARLK	340853	7715857 WESTO
7593	C-R	471498*	76334 CHRYS	5711	76X7521 GARLK	472354!	7715881 WESTO
7594	ALOY	3677	763461-1 SPICE	100495	76X7534 GARLK	476842	7715915 WESTO
7594	ALOY	41257	763461-1 SPICE	417349	76X8356 GARLK	481481	7715923 WESTO
759510XX	TIMKE	75X95X10	7635 C-R	471684!	76X88 GARLK	471466!	7715956 WESTO
759704-C91	IH	370019A	7636 C-R	471684!	76X8949 GARLK	481481	7715S C-R
7599	C-R	471498*	76364 C-R	457874	76X8952 GARLK	471633!	7715S TIMKE
759A7	WHITE	471795	76364 GR-DV	457874	76X9489 GARLK	471570!	7716012 WESTO
75DT7052A3A	FORD	2655	76364M1 C-R	457874	76X9490 GARLK	471649!	7716020 WESTO
75KH-16	MACK	5578\$	76368 C-R	55316 =	76X9675 GARLK	450400	771723C91 IH
75WT7657AA	FORD	2443	76368M1 C-R	55316 =	76X9879 GARLK	335924N	77173R91 IH
75X10010XX	TIMKE	75X100X10	763831 CLARK	455197N	76X9971 GARLK	481181!	7718472 BRADF
75X10012XX	TIMKE	75X100X12	763B516-L C-R	8635S	76X9975 GARLK	472015!	7721 NATL
75X100X10ASN	ISP	75X100X10	7640 C-R	471684!	76X9991 GARLK	481443!	7721 NATL
75X100X12SC	TRSCM	75X100X12!	7641 C-R	471684!	76X9992 GARLK	480581	7723 TRAC
75X100X12TC	TRSCM	75X100X12!	76436 GMC	474278!	7700517057 RENA	228010	772E-11 CLARK
75X10513XX	TIMKE	75X105X13	76447 CHRYS	450084!	7700522314 RENA	35X50X8!	772E-13 CLARK
75X105X13	SIMRT	75X105X13	7645 C-R	471684!	7700522314 RENA	3771	7735S NATL
75X105X13SC	TRSCM	75X105X13	7646 C-R	471684!	7700695940 RENA	716102	7740 C-R
75X105X13TC	TRSCM	75X105X13	76470H IH	471553!	7700714702 AMC	222556	7741 FULLE
75X11012XX	TIMKE	75X110X12	76490H IH	471787!	7700718598 AMC	222267	7745 C-R
75X110X12	SIMRT	75X110X12	765110B SPERY	471344!	7700718598 RENA	222267	77499H IH
75X110X12SC	TRSCM	75X110X12	765110B VICK	471344!	7700719273 RENA	223005	7750 C-R
75X110X12TC	TRSCM	75X110X12	765143 VICK	472397!	7700719274 RENA	225020	7750 TIMKE
75X11512XX	TIMKE	75X115X12	7654634 SPICE	415138!	7700725410 RENA	222556	775048E SPG
75X115X12AN	ISP	75X115X12	7657423 FIAT	713070	7700742021 RENA	222267	77518H IH
75X12010XX	TIMKE	75X120X10	7660 C-R	450033	7700743161 RENA	228010	77518H IH
75X90X10	SIMRT	75X90X10	7660 C-R	473406	7700853373 CHRYS	229005	7751H TIMKE
75X90X10SC	TRSCM	75X90X10	7661 C-R	4734061*	7700853373 RENA	229005	77530 C-R
75X90X10TC	TRSCM	75X90X10	766571-C91 IH	370003A	7700854841 RENA	713151	77540 C-R
75X90X8ASN	ISP	75X90X8	7679S SPG	7934S	7700854842 RENA	1172	77550 C-R
75X95X10SC	TRSCM	75X95X10	768463-4 SPICE	470898	7700854852 RENA	1172	77551 C-R
75X95X10TC	TRSCM	75X95X10	7684631 SPICE	471272!	7700859691 RENA	3771	775612 C-R
760040M1	MASSE	330385	76851 BENDI	330385!	7700S TIMKE	7700S	77568 C-R
760082A	SPG	712144	76865TA TRSCM	416102	7701348114 RENA	713150	77568 FAIRB

! Industrial Size/Type * Minor Width Difference \$F-M Number Is Part Of A Kit = Call 1-800-480-1212 for price and delivery.

NUMERICAL

Zero Duplication or Recommended Industrial		Zero Duplication or Recommended Industrial		Zero Duplication or Recommended Industrial		Zero Duplication or Recommended Industrial	
Mfr. No.	Name	Mfr. No.	Name	Mfr. No.	Name	Mfr. No.	Name
77568M1 C-R	417562	7836 C-R	481443!	78X10510XX TIMKE	78X105X10	7933 C-R	20X38X7
775698C91 IH	370003A	7836431 GMC	222510	78X114 GARLK	471553!	7934 SPG	7934S
7756S SPG	470380!	7837 C-R	481443!	78X11510XX TIMKE	78X115X10	7934S TIMKE	7934S
7756S SPG	472189A!	78371 HYST	5705* =	78X1474 GARLK	471272!	793666 GMC	417181!
7757 SPG	40576S	7837492 GMC	7013S	78X2120 GARLK	471344!	7937H SPG	473473
77585 C-R	417115	7838143 GMC	710285	78X542 GARLK	471192	7937N TIMKE	473473
77595 C-R	457149N=	7838145 GMC	710285	78X550 GARLK	470950!	79385 HYST	415991!
776438R1 IH	473437	7839589 GMC	221925	78X550 GARLK	6241S	79385 HYST	415991
77672 HYST	470898	7839S SPG	7399S!	78X6231 GARLK	473231!	79387 HYST	471271!
77692 HYST	470898	7840S TIMKE	7840S	78X6252 GARLK	472164!	79388 HYST	417181!
7769S SPG	6241S	7841A C-R	473010	78X6436 GARLK	476820	79389 HYST	416271!
777 GARLK	48186A	7843 C-R	481443!	78X648 GARLK	470380!	7940 C-R	20X40X7!
77714 SPG	77714	7845 C-R	451031=	78X6870 GARLK	455134!	7940 C-R	222050
7772 FULLE	412861	78451 WIP-L	5433	78X7033 GARLK	470954!	7941 C-R	20X40X7V
77732A BENDI	471554!	7848 C-R	481568!*	78X7090 GARLK	471271!	7941 FMS	472560N
77734 AM WH	470898	7849 C-R	481568!	78X7256 GARLK	472446	7941 HYST	415988
7774634 SPICE	473238!	784911 CLARK	473229	78X7295 GARLK	416127	7941 TIMKE	7941
77746343 SPICE	473238!	784959 CLARK	5778	78X837 GARLK	473234!	79416 DGASK	13338
7775N NATL	417354!	7852 C-R	481568!*	78X9508 GARLK	471466!	7942 C-R	20X40X7
777J-1 OSHKO	415937!	7853A C-R	415458!	78X9509 GARLK	471264!	7944 C-R	20X40X7V
7780 TIMKE	7780	7854A C-R	415437	78X9994 GARLK	471689!	794408C91 NAVST	370048A
778037 WHITE	45637S	7854A C-R	415437!	79-339710 BUC-E	416888!	794408C91 NAVST	380048A
7780N SPG	7780	78552 BENDI	330385!	79-39910 BUC-E	416888!	7945 C-R	20X40X7V
7780N TIMKE	7780N	7859 C-R	481568!	7900 C-R	20X30X5	79470 EATON	9773
77819H IH	410987!	7860 EATON	416654!	7900 C-R	222025	7950 C-R	20X42X7
77819H IH	450686	78650 C-R	455397	7901 C-R	20X28X6	7950 C-R	222060
7781S TIMKE	471750	7866A C-R	416865!	7902 C-R	20X28X6	7950265040 NRWST	415551
7782N NATL	2942	7866S TIMKE	7866S	7902A C-R	411253!	7952 C-R	20X47X7
7790H TIMKE	7790H	7867A C-R	415371	7904 C-R	20X30X7V	79526 DGASK	72665
77926SA TRSCM	455406!	786D6 WHITE	415060	79043163 IVECO	713115	7953 C-R	20X42X7V
7797 EATON	5MR7!	786D6 WHITE	455060	7905 C-R	20X30X7!	7954 C-R	20X47X7
77993 HYST	470954	78703 C-R	200X230X15V	7905 C-R	222025	79567H IH	415449!
779D6 WHITE	5957S	78705 C-R	200X230X15!	79057 EATON	470565 =	7959 HYST	415351!
77TK3K169A1A FOOTE	3392	787052 FORD	472258	79058080 NEHO	713149	7960 C-R	20X46X7
77TT3K169A9A FORD	3392	7871 C-R	481644*	7907 C-R	20X31X7	796135 GMC	730003
77TT7048AA FORD	3388	78712 WAUKE	473254!	7909 C-R	20X30X7V	79634H IH	473238
78 C-R	415196!	7872 C-R	481644	790963 GMC	416664!	7965 C-R	20X47X7
7800 C-R	19X32X7!	78725 C-R	417657=	790964 GMC	471271!	7966 C-R	20X47X7
7800 C-R	19X32X8	7873 HYST	474281!	7910 C-R	20X32X7!	7966589 WILYS	450588!
78016 HYST	473459	78730 C-R	455397	7910 C-R	222020	7966691 WILYS	471765!
7801626 GMC	313842	78738 C-R	455121*	79102111 CHRYS	470059N	79667H IH	411253!
7802160 GMC	480821!	78740 C-R	455121	7912 C-R	20X32X7	79668H IH	416654
780316C91 IH	370124A	78741 C-R	455121	7912 TOWNR	6575S	7967 C-R	20X47X7V
78062 WAUKE	473227!	7875 C-R	481644*	7914 C-R	222025!	7967A C-R	473467!
78062 WAYNE	473227	7878 C-R	481644	791436 CLARK	240735	7968 C-R	20X47X7V
7808195 GMC	7013S	78780 C-R	417016	791471 GMC	4561V	79680H IH	470530!
78083 CHRYS	474281!	787D6 WHITE	416130!	791471 GMC	5602	79688H IH	416654
78084 AM WH	473313	7882A C-R	473215!	7915 C-R	20X35X7!	7970 C-R	20X48X7
780D6 WHITE	415437!	7884 C-R	471337	7915 C-R	222030	7975 C-R	20X50X7
780D6 WHITE	415437	788484C91 IH	370001A	7916 C-R	20X35X7	797624M1 C-R	415327*
781175 FORD	5877	788485C91 IH	370023A	7917 C-R	20X35X7*	7979453 AMC	473367
781175A FORD	5877	788524 C-R	416024	7918 C-R	222020	7979453 AMC	473367!
7814 C-R	470601	78857 EATON	412473	7919 C-R	20X36X7	7979455 AMC	473367!
781564-C92 IH	HU110A	7885A C-R	417316!	7919S SPG	471821!	7979455 AMC	473367
781565-C91 IH	HU009A	7886 C-R	471337	7920 C-R	20X36X7	7979456 AMC	472826!
7816612 GMC	251511	7886 JOY	417563	7920 C-R	222036	7980 C-R	20X52X7
7824N SPG	471193	788612 C-R	417563	7921 C-R	20X36X7	7981 C-R	20X52X7
7825S SPG	473228!	788612 HU-WR	417563	7921 C-R	222036	7983 C-R	20X52X7
7826470 GMC	PSK-1	788612M1 C-R	417563	7922 C-R	222030	7985071 AMC	410708
78274 HARRI	472560N!	7886S TIMKE	7886S	7923 C-R	222030	798528 GMC	415007
7828 C-R	481443!*	7888 C-R	471337	7924 C-R	222036	7989 WOODB	455079!
7828565 GMC	471267	7889 C-R	474273!	7925 C-R	20X37X7	79903 EATON	253099
7829 C-R	481443!*	788CP612-L C-R	417563	7925 C-R	20X37X8	7993 TOWNR	200110
7829887 GMC	222510	7890 C-R	474273	7926 C-R	20X35X7*	7994S TIMKE	7994S
7831 C-R	481443!*	7893A C-R	471689!	7929 C-R	20X35X7!	79950 C-R	415656
7832 C-R	481443!*	7896S TIMKE	7896S	7929 C-R	222030	799527 CLARK	471570!
7832730 GMC	222025	789W612 C-R	417563	7929S TIMKE	7929S	799528 CLARK	471267!
7833 C-R	481443!*	78D HWY	417518	7930 C-R	20X38X7	799529 CLARK	471413!
7834 C-R	481443!	78M1 WHITE	50468	79302 C-R	417817	799530 CLARK	470625!
7834 TIMKE	472164	78X10010XX TIMKE	78X100X10	79303 C-R	417817	799531 CLARK	473227!
7835 C-R	481443!	78X100X10SC TRSCM	78X100X10	793246 GMC	100495	79960 C-R	415656*
7835A C-R	471835!	78X100X10TC TRSCM	78X100X10	793246 GMC	5601	79961 C-R	415656*

! Industrial Size/Type * Minor Width Difference = Call 1-800-480-1212 for price and delivery.

Zero Duplication or Recommended			Zero Duplication or Recommended			Zero Duplication or Recommended			Zero Duplication or Recommended		
Mfr. No.	Name	Industrial	Mfr. No.	Name	Industrial	Mfr. No.	Name	Industrial	Mfr. No.	Name	Industrial
799845	GMC	473462	7F4236	CATER	456057	7Y1040	GW	450593!	80016602	ALLCH	470334!
79997	C-R	417600	7F5916	CATER	415551	7Y1040	IH	450593!	800180	TIMKE	800180
79998	C-R	417600	7F5921	CATER	417350!	7Y1040	KEN	450593!	800181	ALLCH	471787!
799990	GMC	50075 =	7F6885	CATER	417487	7Y1040	WHITE	450593!	800181	TIMKE	800181
799D5	WHITE	415137!	7F9214	CATER	415035	7Y1255	GW	471554!	800184	TIMKE	800184
799D5	WHITE	418028	7H2199	CATER	415213N	7Y1518	GW	471224!	800185	TIMKE	800185
7A-032077	FWD	323138!	7H6991	CATER	412943	8	BL-KN	415196!	80018R91	IH	5406
7A-032078	FWD	450400	7H7107	CATER	472015!	8-94336316-0	GMC	710080	80020	C-R	417601
7A032074	FWD	474276!	7J6582	CATER	417211!	8-94367958-0	GMC	710080	800200	TIMKE	800200
7A1110	OLIVE	412473!	7J6583	CATER	415991	8-94367960-1	GMC	710081	800201	TIMKE	800201
7A1110	WHITE	412473!	7J6583	CATER	455146!	8-97023977-1	GMC	710080	800204	TIMKE	800204
7A1443A	OLIVE	417621 =	7J7673	CATER	471466!	8-CG134	MACK	471553!	800205	TIMKE	800205
7A1443B	OLIVE	417343!	7K2009	CATER	471138!	8-CG175	MACK	472636!	80021	C-R	417601
7A1582	OLIVE	472164!	7K2830	CATER	415458!	8-EJW32	MACK	450307	800220	TIMKE	800220
7A1590	OLIVE	470334!	7K9201	CATER	710023	80-0616	BUCE-E	416229	800221	TIMKE	800221
7A2125	OLIVE	470954	7K9202	CATER	710024	800	NEA	35402	800223	ALLCH	474272!
7A930	OLIVE	470954!	7K9203	CATER	710025	800	UNIVE	417602!	800224	TIMKE	800224
7B0280	CATER	471554	7K9204	CATER	710026	80000	C-R	417600	800225	ALLCH	412473!
7B0368	CATER	416154!	7K9205	CATER	710027	800001-043	MERCE	100X130X12!	800225	TIMKE	800225
7B1955	CATER	417621 =	7K9206	CATER	710027	80001	C-R	417600	80022505	ALLCH	412473!
7B1955	SKIL	417621 =	7K9208	CATER	710038	800030	TIMKE	800030	800250	TIMKE	800250
7B2051	CATER	413469	7K9209	CATER	710028	800034	TIMKE	800034	800251	TIMKE	800251
7B2174	CATER	471192	7K9211	CATER	710030	800040	TIMKE	800040	800254	TIMKE	800254
7B2174	WESTR	471192	7K9214	CATER	710035	800044	TIMKE	800044	800255	TIMKE	800255
7B280	CATER	471554!	7K9216	CATER	710036	800050	TIMKE	800050	80028	MCCOR	473234
7B3568	CATER	416154!	7K9217	CATER	710031	800051	TIMKE	800051	800280	TIMKE	800280
7B368	CATER	416154!	7K9219	CATER	710037	800054	TIMKE	800054	800281	TIMKE	800281
7B3736	CATER	415007	7K9220	CATER	710032	800055	TIMKE	800055	800284	TIMKE	800284
7B3785	CATER	415035	7L2343	CASE	470625!	800060	TIMKE	800060	800285	TIMKE	800285
7B3785	CATER	415035!	7L2345	CATER	470625!	800061	TIMKE	800061	80030	MCCOR	450666
7B430	CATER	417316!	7L6383	CATER	472015 =	800064	TIMKE	800064	800300	TIMKE	800300
7B4375	CATER	471526!	7L6608	CATER	455134 =	800065	TIMKE	800065	800301	TIMKE	800301
7B4624	CATER	412871!	7M2492	CATER	441130	800070	TIMKE	800070	800304	TIMKE	800304
7B4962	CATER	417621!	7M3956	CATER	472810*	800071	TIMKE	800071	800305	TIMKE	800305
7B5425	CATER	415449!	7M4236	CATER	456057	800074	TIMKE	800074	80032	MCCOR	471689!
7B556	CATER	471255!	7M7525	CATER	471649	800075	TIMKE	800075	800320	TIMKE	800320
7B8320	CATER	471570!	7M8451	CATER	415379	800080	TIMKE	800080	800321	TIMKE	800321
7B8821	CATER	412473!	7M8680	CATER	473235!	800081	TIMKE	800081	800324	TIMKE	800324
7C-1728	CATER	39044	7M8805	CATER	473367!	800084	TIMKE	800084	800325	TIMKE	800325
7C-1728	CATER	39883	7M8805	CATER	473367	800085	TIMKE	800085	80034	MCCOR	471354!
7C1813	CATER	39926	7M8930	CATER	470059	800093	WILYS	5585	80034S	MCCOR	471354!
7C3570	CATER	39881	7M8930	CATER	470380!	8001	C-R	6357S	80035	C-R	417602!
7C3571	CATER	39880	7N1999	CATER	5613!	80010	C-R	417601	80035	MCCOR	480630!
7C4163	CATER	39882	7NF-08	GEM	6703S	800100	MICH	417602!*	800350	TIMKE	800350
7C4297	CATER	39886	7NF-09	GEM	6703S	800100	TIMKE	800100	800351	ALLCH	471765!
7C6660	CATER	415303	7NF-09	ROSS	6703S	8001000	UNIVE	417602!	800351	TIMKE	800351
7C7473	CATER	J2608	7QH1175	FORD	370023A	800101	TIMKE	800101	800354	TIMKE	800354
7D003	SHOV	470088	7RA7657	FORD	473228!	800104	TIMKE	800104	800355	TIMKE	800355
7D011	SHOV	455336	7S6798	CATER	330385	800105	TIMKE	800105	80036	C-R	417602!
7D33	CATER	416292	7W3200	CATER	39801	800108	GMC	471272 =	80037	C-R	417602!
7D7837	CASE	200799 =	7W6130	CATER	5613!	80012	MCCOR	450044	800371	ALLCH	471649!
7D9007	CATER	352541	7W6131	CATER	5613!	800120	TIMKE	800120	80037103	ALLCH	471649!
7E7589	CATER	39880	7X16X7	FORSH	7X16X7	800121	TIMKE	800121	80038	C-R	417602!
7E7589	CATER	39881	7X16X7	SIMRT	7X16X7	800124	TIMKE	800124	800380	TIMKE	800380
7EA6700	FORD	473010	7X16X7SC	TRSCM	7X16X7	800125	TIMKE	800125	800381	TIMKE	800381
7EQ1174	FORD	5401\$	7X16X7TTC	TRSCM	7X16X7	800128	HESST	410989	800384	TIMKE	800384
7EQ1175	FORD	6270	7X22X7	FORSH	7X22X7	800128	HESST	470989	800385	TIMKE	800385
7EQ1175A	FORD	6270	7X22X7	SIMRT	7X22X7	80013	MCCOR	472287!	8003854	GMC	450165
7EQ1181	FORD	5401	7X22X7SC	TRSCM	7X22X7	800130	TIMKE	800130	8003854	GMC	471801!
7EQ1181A	FORD	5401	7X22X7TTC	TRSCM	7X22X7	800134	TIMKE	800134	8003855	GMC	417316!
7EQ1181A2	FORD	5401	7X4742	CATER	417247 =	80014	MCCOR	471570!	80040	C-R	417602!
7EQ4676	FORD	412119	7X4779	CATER	4603V =	800140	TIMKE	800140	800400	TIMKE	800400
7EQ4813	FORD	470898!	7X658	CATER	J1984* =	800141	TIMKE	800141	800401	TIMKE	800401
7EQH1174	FORD	6532S =	7XA745	OLIVE	55141	800144	TIMKE	800144	800404	TIMKE	800404
7EQH1175	FORD	456618	7XA864	OLIVE	415303!	800145	TIMKE	800145	800405	TIMKE	800405
7EQH1181	FORD	6532S =	7Y1039	CHRY	473215!	80015	MCCOR	450040	80042	MCCOR	471750!
7EQH4168	FORD	5M867	7Y1039	DIA	473215!	80016	MCCOR	473215!	800450	TIMKE	800450
7EQH4676	FORD	415458!	7Y1039	GW	473215!	800160	TIMKE	800160	800451	TIMKE	800451
7F2063	CATER	471763	7Y1039	IH	473215!	800161	TIMKE	800161	800454	TIMKE	800454
7F3211	CATER	472439	7Y1039	WHITE	473215!	800164	TIMKE	800164	800455	TIMKE	800455
7F3536	CATER	474278!	7Y1040	CHRY	450593!	800165	TIMKE	800165	8004633	GMC	416888
7F3536	CATER	6859S	7Y1040	DIA	450593!	800166	ALLCH	470334!	8004670	GMC	416888

! Industrial Size/Type * Minor Width Difference \$F-M Number Is Part Of A Kit = Call 1-800-480-1212 for price and delivery.

NUMERICAL

Zero Duplication or Recommended Industrial		Zero Duplication or Recommended Industrial		Zero Duplication or Recommended Industrial		Zero Duplication or Recommended Industrial		
Mfr. No.	Name	Mfr. No.	Name	Mfr. No.	Name	Mfr. No.	Name	
8004670	GMC	455137!	800805	TIMKE	800805	80121	MCCOR	471787
8004673	GMC	473449	80081	C-R	417602!*	80122	MCCOR	472164!
8004846	GMC	417621!	80083	MCCOR	471820	80123	MCCOR	473227!
8004848	GMC	472397!	80084	C-R	417602!*	80124	MCCOR	450400
8004855	GMC	416888	80085	C-R	417602!*	80125	MCCOR	470774!
8004866	GMC	472636!	800850	TIMKE	800850	80126	MCCOR	450593!
8004867	GMC	472397!	800851	TIMKE	800851	80127	MCCOR	353141!
8004885	GMC	471504!	800854	TIMKE	800854	80128	MCCOR	470004!
800500	TIMKE	800500	800855	TIMKE	800855	80130	MCCOR	471532
800501	TIMKE	800501	80089	MCCOR	472258	801300	TIMKE	801300
800504	TIMKE	800504	80090	C-R	417602!*	801301	TIMKE	801301
800505	TIMKE	800505	80090	MCCOR	473211!	801304	TIMKE	801304
80051344	FALKC	417567	800900	TIMKE	800900	801305	TIMKE	801305
80051353	FALKC	415035!	800901	TIMKE	800901	80133	MCCOR	40576S
80051353	FALKC	415035	800904	TIMKE	800904	80138	MCCOR	471787!
80051354	FALKC	416292	800905	TIMKE	800905	80139	MCCOR	473426
800537	ALLCH	240414	800906	ALLCH	471868	80140	MCCOR	6241S
80055	C-R	417602!	80090602	ALLCH	471868	801400	TIMKE	801400
800550	TIMKE	800550	80091	MCCOR	471192	801401	TIMKE	801401
800551	TIMKE	800551	8009164	GW	40316S	801402	TIMKE	801402
800554	TIMKE	800554	80092	C-R	415052	801404	TIMKE	801404
800555	TIMKE	800555	80092	MCCOR	50468	801405	TIMKE	801405
80056	MCCOR	473213!	80093	MCCOR	472164!	801406	TIMKE	801406
80058	MCCOR	473228	80093H	IH	470059	80141	MCCOR	470625!
80059	MCCOR	473419	80093H	IH	470380!	80146	MCCOR	473226
80060	C-R	417602!*	80095	MCCOR	6936S	80147	MCCOR	473228
80060	MCCOR	474253	800950	TIMKE	800950	80148	MCCOR	473229
800600	TIMKE	800600	800951	TIMKE	800951	8015	C-R	471539!
800601	TIMKE	800601	800954	TIMKE	800954	801500	TIMKE	801500
800604	TIMKE	800604	800955	TIMKE	800955	801501	TIMKE	801501
800605	TIMKE	800605	80096	MCCOR	474264	801502	TIMKE	801502
800616	B-L-H	416229	80097	C-R	7131	801504	TIMKE	801504
800616	C-R	416229	80097	MCCOR	473367!	801505	TIMKE	801505
800616	GAL	416229	80097	MCCOR	473367	801506	TIMKE	801506
800616	GR-DV	416229	80099	MCCOR	470625!	8016	C-R	471539!
800616	MINMA	416229	800A616	C-R	416229	801600	TIMKE	801600
800616M1	C-R	416229	801000	TIMKE	801000	801601	TIMKE	801601
800624	C-R	415327	801001	TIMKE	801001	801602	TIMKE	801602
80063212	TROS	416229	801004	TIMKE	801004	801604	TIMKE	801604
80063216	TROS	416229	801005	TIMKE	801005	801605	TIMKE	801605
80064	MCCOR	5976S	801006TA	TRSCM	417602!	801606	TIMKE	801606
800650	TIMKE	800650	80101	MCCOR	450173	80161	MCCOR	471763
800651	TIMKE	800651	80102	MCCOR	471766!	80162	MCCOR	473215!
800654	TIMKE	800654	80102S	MCCOR	471766!	80164	MCCOR	473367
800655	TIMKE	800655	80103	MCCOR	471765!	801641	AM HO	416107!
80066	MCCOR	471224!	80105	MCCOR	471835!	801641	AM HO	455073
80068	MCCOR	473212!	80106	MCCOR	472705!	801642	AM HO	417554!
80069	MCCOR	471413	80107	MCCOR	471553!	80166	MCCOR	471264
8007	C-R	416364!	80108	MCCOR	476838!	80167	MCCOR	240119
8007	ONAN	471766!	80108S	MCCOR	476838!	80168	MCCOR	471224
800700	TIMKE	800700	80109	GW	471224!	80169	MCCOR	470954
800701	TIMKE	800701	80109	IH	471224!	8017	C-R	471539!*
800704	TIMKE	800704	80109	MCCOR	5M406=	801700	TIMKE	801700
800705	TIMKE	800705	80109	WHITE	471224!	801701	TIMKE	801701
80071	MCCOR	472560N!	80110	MCCOR	481644	801702	TIMKE	801702
8007118	GW	471341!	801100	TIMKE	801100	801704	TIMKE	801704
800716	ALLCH	340771	801101	TIMKE	801101	801705	TIMKE	801705
80072	MCCOR	473438	801104	TIMKE	801104	801706	TIMKE	801706
800750	TIMKE	800750	801105	TIMKE	801105	801723	WILYS	340413
800751	TIMKE	800751	80111	MCCOR	450165	80174	MCCOR	471281!
800754	TIMKE	800754	80111	MCCOR	471801!	80175	MCCOR	471466!
800755	TIMKE	800755	80112	MCCOR	471192	8017591	GMC	350364
80076	MCCOR	473228!	80113	MCCOR	470606!	80175S	MCCOR	471466!
80079	MCCOR	472354!	80114R1	IH	240009	80176	MCCOR	50010
800797	ALLCH	472311!	80118	MCCOR	470625!	80177	MCCOR	471472!
8008	KINNR	481073	80120	MCCOR	473231	801774	AM HO	416158
80080	C-R	417602!	801200	TIMKE	801200	80178JA	PARK	416342=
80080	MCCOR	470950!	801201	TIMKE	801201	80179	MCCOR	471549!
80080	MCCOR	6241S	8012013A	HARWA	80X120X13	80179AA	PARK	7973S
800800	TIMKE	800800	801204	TIMKE	801204	80179AQ	PARK	416865!
800801	TIMKE	800801	801205	TIMKE	801205	80179BP	PARK	415867
800804	TIMKE	800804	80120S	MCCOR	473231	80179HY	PARK	415725!
80179HZ	PARK	417254	80179JA	PARK	416342=	80179JE	PARK	415072
80179KH	REPUB	416664!	80179KJ	REPUB	476470	80179KJ	REPUB	476470
80180	MCCOR	471255!	801800	TIMKE	801800	801800	TIMKE	801800
801801	TIMKE	801801	801801	TIMKE	801801	801802	TIMKE	801802
801802	TIMKE	801802	801804	TIMKE	801804	801805	TIMKE	801805
801805	TIMKE	801805	801806	TIMKE	801806	80180S	MCCOR	471255!
801806	TIMKE	801806	801816	MCCOR	50026	801816	WILYS	340787
80182	MCCOR	471554!	80182S	MCCOR	471554!	80183	MCCOR	471567!
80183	MCCOR	471567!	80183S	MCCOR	471567!	80184	MCCOR	473414
80184	MCCOR	473414	80185	MCCOR	471137	80186	MCCOR	450039
80185	MCCOR	471137	80188	MCCOR	450048	80189	MCCOR	473427
80186	MCCOR	450039	80189	MCCOR	473427	8019	C-R	471539
80188	MCCOR	450048	80190	MCCOR	450054	801900	TIMKE	801900
80189	MCCOR	473427	801901	TIMKE	801901	801902	TIMKE	801902
8019	C-R	471539	801904	TIMKE	801904	801905	TIMKE	801905
80190	MCCOR	450054	801906	TIMKE	801906	80191	MCCOR	473225!
801900	TIMKE	801900	80191	MCCOR	473225!	80192	MCCOR	470059
801901	TIMKE	801901	80192	MCCOR	470059	80192	MCCOR	470380!
801902	TIMKE	801902	80192S	MCCOR	470059	80192S	MCCOR	470059
801904	TIMKE	801904	80192S	MCCOR	470380!	80193	MCCOR	474264
801905	TIMKE	801905	80193	MCCOR	474264	80194	MCCOR	471821!
801906	TIMKE	801906	80194	MCCOR	471821!	80195	MCCOR	450065
80191	MCCOR	473225!	80195	MCCOR	450065	80197	MCCOR	471442!
80192	MCCOR	470059	80197	MCCOR	471442!	80198	MCCOR	450129
80192	MCCOR	470380!	80198	MCCOR	450129	80198	MCCOR	472826!
80192S	MCCOR	470059	80198S	MCCOR	450129	80198S	MCCOR	450129
80192S	MCCOR	470380!	80198S	MCCOR	472826!	801990	TIMKE	801990
80193	MCCOR	474264	801990	TIMKE	801990	801991	TIMKE	801991
80194	MCCOR	471821!	801991	TIMKE	801991	801994	TIMKE	801994
80195	MCCOR	450065	801994	TIMKE	801994	801995	TIMKE	801995
80197	MCCOR	471442!	801995	TIMKE	801995	802	UNIVE	455123*
80198	MCCOR	450129	802	UNIVE	455123*	8020	C-R	471539!
80198	MCCOR	472826!	8020	C-R	471539!	80200	MCCOR	471750!
80198S	MCCOR	450129	802000	MCCOR	471750!	802000	TIMKE	802000
801990	TIMKE	801990	802004	TIMKE	802004	802004	TIMKE	802004
801991	TIMKE	801991	802006	TIMKE	802006	802006	TIMKE	802006
801994	TIMKE	801994	80201	MCCOR	473205	80201	MCCOR	473205
801995	TIMKE	801995	80202	MCCOR	471760	80202	MCCOR	471760
802	UNIVE	455123*	80203	MCCOR	471762!	80203	MCCOR	471762!
8020	C-R	471539!	80204	MCCOR	471763	80204	MCCOR	471763
80200	MCCOR	471750!	80205	MCCOR	473214	80205	MCCOR	473214
802000	TIMKE	802000	80206	MCCOR	473016!	80206	MCCOR	473016!
802004	TIMKE	802004	80207	MCCOR	471571	80207	MCCOR	471571
802006	TIMKE	802006	80208	MCCOR	450188	80208	MCCOR	450188
80201	MCCOR	473205	80209	MCCOR	473010	80209	MCCOR	473010
80202	MCCOR	471760	80212	MCCOR	50199S!	80212	MCCOR	6863S!
80203	MCCOR	471762!	80212	MCCOR	6863S!	80213	MCCOR	471231!
80204								

Zero Duplication or Recommended			Zero Duplication or Recommended			Zero Duplication or Recommended			Zero Duplication or Recommended		
Mfr. No.	Name	Industrial	Mfr. No.	Name	Industrial	Mfr. No.	Name	Industrial	Mfr. No.	Name	Industrial
80216	MCCOR	471649!	8029	C-R	471231!	80352	MCCOR	470380!	8043209	GMC	417357
80217	MCCOR	471733	80291	MCCOR	240733	80355	MCCOR	40769S	8043209	GMC	455192!
80218	MCCOR	470712!	8029148	GMC	471646!	80356	MCCOR	472164!	80434	MCCOR	340815
80219	MCCOR	471785!	80293	MCCOR	240009	80358	MCCOR	470954!	80435	MCCOR	471750!
80219S	MCCOR	471785!	80295	MCCOR	340797	80359	MCCOR	340787	80436	MCCOR	6597S
8022	C-R	471539!	80296	MCCOR	471526!	8036	JN-MN	370001A	80437	MCCOR	471705!
80220	MCCOR	471795	80297	MCCOR	6489	80360	MCCOR	340413	80438	MCCOR	43089S
802200	TIMKE	802200	80298	MCCOR	473228	80362	MCCOR	474279N	80439	MCCOR	6760S
802202	TIMKE	802202	80299	MCCOR	471224!	80365	MCCOR	471765!	8043932	GMC	471760
802204	TIMKE	802204	8030	C-R	471231!	80366	MCCOR	471192	8043933	GMC	473010
802206	TIMKE	802206	80300	MCCOR	471276	80367	MCCOR	471529	8043934	GMC	473226
80221	MCCOR	473436	803000	TIMKE	803000	80368	MCCOR	254270	8044	C-R	471231!
80222	MCCOR	50327	803002	TIMKE	803002	80369	MCCOR	240385	80440	MCCOR	6241S
80223	MCCOR	474255	803004	TIMKE	803004	8037	JN-MN	370048A	80442	MCCOR	340210
80225	MCCOR	471504!	803006	TIMKE	803006	803712	ALLCH	471649!	80444	MCCOR	470954!
80226	MCCOR	474278!	80301	MCCOR	471765!	803732	ALLCH	472560N!	80446	MCCOR	340771
80227	MCCOR	474276!	80302	MCCOR	472258!	803735	ALLCH	451583!	80447	MCCOR	240470
80228	MCCOR	330385!	80303	MCCOR	471827	80374	MCCOR	240435	80448	MCCOR	350364
80229	MCCOR	473227	80304	MCCOR	471829	8037417	GMC	417481	80449	MCCOR	471264!
8023	C-R	471539!	80305	MCCOR	473445	8037418	GMC	418028	80450	MCCOR	481443!
80230	MCCOR	353132	80305S	MCCOR	473445	8037418	GMC	455137!	804500	TIMKE	804500
80232	MCCOR	472299	80306	MCCOR	450398	803750	TIMKE	803750	804502	TIMKE	804502
80233	MCCOR	323138!	80306	MCCOR	471267!	803752	TIMKE	803752	804503	TIMKE	804503
80234	MCCOR	450482	80307	MCCOR	471192	803754	TIMKE	803754	804504	TIMKE	804504
8023438	FAIRB	415371	80308	MCCOR	471766!	803756	TIMKE	803756	804506	TIMKE	804506
80235	MCCOR	50490=	80309	MCCOR	240319	803764	WILYS	370021A	80453	MCCOR	450666
80237	MCCOR	473423	80310	MCCOR	472354!	80377	MCCOR	240414	80454	MCCOR	6985
80238	MCCOR	474276!	80311	MCCOR	42763	80378	MCCOR	481073	8045416	GMC	471787!
80239	MCCOR	471255!	80312	MCCOR	40468	80379	MCCOR	240319	80455	MCCOR	6840S
8024	FULLE	415146!	80313	TIMKE	80313	80380	MCCOR	240462	80456	MCCOR	6815
8024	FULLE	415991	80314	MCCOR	481650	80381	MCCOR	450033	80458	MCCOR	473229
8024	JA-MI	415146!	80315	MCCOR	471735	80383	MCCOR	471692!	80459	MCCOR	473367!
8024	JA-MI	415991	80316	MCCOR	471764!	80387	MCCOR	6312	80459	MCCOR	473367
8024	JAE	415146!	803162	Y-T	411330!	80388	MCCOR	472287!	80461	MCCOR	40438S
8024	JAE	415991	80317	MCCOR	471103!	80389	MCCOR	473421	80462	MCCOR	470954
802500	TIMKE	802500	80317S	MCCOR	471103!	80390	MCCOR	473367	80463	MCCOR	470774!
802502	TIMKE	802502	80318	MCCOR	481443!	803900	AMC	471787!	8046320	SPICE	415379
802504	TIMKE	802504	80319	MCCOR	471192	803900	WILYS	471787	8046320	SPICE	415379!
802506	TIMKE	802506	80320	MCCOR	473228!	80392	MCCOR	474276	8046333	SPICE	456744N
8026	FULLE	417316!	80321	MCCOR	471344	80393	MCCOR	40328	8046339	SPICE	416921!
80269	MCCOR	5M445	80324	MCCOR	471619!	80398	MCCOR	350936	804634	SPICE	100495
8027	C-R	480889	803250	TIMKE	803250	80398N	MCCOR	350936	804634	SPICE	417349
8027	FULLE	417191	803252	TIMKE	803252	80399	MCCOR	452222!	80464	MCCOR	6241S
80272	MCCOR	6966S	803254	TIMKE	803254	804	UNIVE	415124	80465	MCCOR	474278!
80273	MCCOR	471413!	803256	TIMKE	803256	80400	MCCOR	471267!	80465	MCCOR	6859S
802732	ALLCH	472560N!	80329	MCCOR	473435	804000	TIMKE	804000	80466	MCCOR	471827
80275	MCCOR	470712	80330	MCCOR	6370N	804002	TIMKE	804002	80467	MCCOR	6966S
802750	TIMKE	802750	80330	TIMKE	470605	804004	TIMKE	804004	80469	MCCOR	6863S!
802752	TIMKE	802752	80332	MCCOR	471442!	804006	TIMKE	804006	80470	MCCOR	471076
802754	TIMKE	802754	803329	WILYS	472560N	80403	MCCOR	323138!	8047077	GMC	413478
802756	TIMKE	802756	80333	MCCOR	483054N	80405	MCCOR	470954!	80471	MCCOR	472258
80278	MCCOR	450339	80334	MCCOR	417267	80406	MCCOR	240698	80473	MCCOR	470774!
80279	MCCOR	50402	80335	MCCOR	473203	80408	MCCOR	9613S	80475	MCCOR	417267
8027A	C-R	200640	80336	MCCOR	330385	80409	MCCOR	471539!	80481	MCCOR	471466!
8028	JN-MN	370007A	80337	MCCOR	40769S	80410	MCCOR	471413!	80483	MCCOR	350156
80280	MCCOR	50462	80338	MCCOR	6489	804101	MICH	455123*	80483	MCCOR	473096
80281	MCCOR	450535	80339	CUMMI	473228	8041012	UNIVE	455123*	80484	MCCOR	480210!
80281	MCCOR	471264!	80339	OLIVE	473228	80416	MCCOR	471684!	80485	MCCOR	472951
80282	MCCOR	450536	80341	MCCOR	472560N	80418	MCCOR	481568!	80485	MCCOR	474252
80282	MCCOR	471535!	80342	MCCOR	340724!	80420	MCCOR	471526!	80486	MCCOR	471688
80283	MCCOR	471267!	80343	MCCOR	471801!	80421	MCCOR	471689!	80487	MCCOR	471652
8028356	GMC	416288!	80344	MCCOR	471829	80422	MCCOR	40059S	80488	MCCOR	472311!
80286	MCCOR	410059	80345	MCCOR	471571	80424	MCCOR	473228!	80489	MCCOR	473224!
80286	MCCOR	470380!	8034503	GMC	471271!	80425	MCCOR	50254=	80490	MCCOR	470506!
80287	MCCOR	40067S=	80347	MCCOR	480630	80426	MCCOR	471570!	80491	MCCOR	471267!
8028747	GMC	470088	80348	MCCOR	471765!	80428	MCCOR	471504!	80493	MCCOR	473228!
8028752	GMC	471689!	80349	MCCOR	340927	80429	MCCOR	6597S	80494	MCCOR	240731
8028753	GMC	471103!	803500	TIMKE	803500	8043	C-R	471231!	80495	MCCOR	240735
8028754	GMC	471570!	803502	TIMKE	803502	80430	MCCOR	471564	80496	MCCOR	240736
80288	MCCOR	240356	803504	TIMKE	803504	80431	MCCOR	471766!	80497	MCCOR	240816
80289	MCCOR	240151	803506	TIMKE	803506	80432	MCCOR	471649!	80499	MCCOR	471224!
80289	NATL	200600	80352	MCCOR	410059	8043208	GMC	455079!	80500	MCCOR	350364

! Industrial Size/Type * Minor Width Difference = Call 1-800-480-1212 for price and delivery.

Zero Duplication or Recommended Industrial		Zero Duplication or Recommended Industrial		Zero Duplication or Recommended Industrial		Zero Duplication or Recommended Industrial			
Mfr. No.	Name	Mfr. No.	Name	Mfr. No.	Name	Mfr. No.	Name		
805000	TIMKE	80559	MCCOR	471224	80630	MCCOR	471765		
805002	TIMKE	805002	8056	C-R	471231	!	806303	TIMKE	
805003	TIMKE	805003	80560	MCCOR	340853	80631	MCCOR	410059	
805004	TIMKE	805004	80562	MCCOR	471267	!	80631	MCCOR	
80501	MCCOR	471267	!	80564	MCCOR	473454	!	80632	MCCOR
80502	MCCOR	254287	!	80566	MCCOR	470954	!	80633	MCCOR
80503	MCCOR	481163	!	80569	MCCOR	450124	=	80635	MCCOR
80504	MCCOR	473227	!	80570	MCCOR	473426	!	80636	MCCOR
8050473	GMC	471272	!	805703	TIMKE	805703		8063666	GMC
80505	MCCOR	473424	!	80572	MCCOR	473237	!	80639	MCCOR
80506	MCCOR	350974	!	80574	MCCOR	501995	!	80640	AM WH
80508	MCCOR	6759S		80574	MCCOR	6863S	!	80640	MCCOR
80509	MCCOR	6952S	=	805741	WILYS	471267	!	806403	TIMKE
8051	C-R	471231	!	80575	MCCOR	6847S		80641	AM WH
805103	TIMKE	805103		80576	MCCOR	340400		80641	MCCOR
80511	MCCOR	340356		8057681	GMC	473228	!	80643	MCCOR
80512	MCCOR	205017		80577	MCCOR	6703S		80645	MCCOR
80513	MCCOR	471652	!	805803	TIMKE	805803		80646	MCCOR
80513	MCCOR	482208	!	80582	MCCOR	321460		80648	MCCOR
80514	MCCOR	9568		80589	MCCOR	473237	!	80649	MCCOR
805150	WILYS	6626S		80590	MCCOR	7456N		80650	MCCOR
80516	MCCOR	40185		805903	TIMKE	805903		806500	TIMKE
80517	MCCOR	473215	!	80593	MCCOR	471193	!	806503	TIMKE
80517A	HERCU	471689	!	80594	MCCOR	7994S		80651	MCCOR
80518	MCCOR	472810	!	80595	MCCOR	451182	!	80652	MCCOR
8052	C-R	471231	!	80597	MCCOR	473234	!	8065485	GMC
805203	TIMKE	805203		8059958	GMC	417481	!	80657	MCCOR
80522	MCCOR	471442	!	8059S	TIMKE	8059S		80658	MCCOR
80523	MCCOR	470380	!	805D5	WHITE	417159	!	80660	MCCOR
80524	MCCOR	450604		805VB7	MARI	417602	!	80661	MCCOR
80525	MCCOR	471567	!	806	NEA	25598		80662	MCCOR
80526	MCCOR	471413	!	806	UNIVE	417022	!	80663	MCCOR
80527	MCCOR	240009		8060	C-R	471231	!	80664	MCCOR
80528	MCCOR	471267	!	8060	JN-MN	AR10+370020A		80665	MCCOR
80529	MCCOR	473317	!	80600	MCCOR	7188S		80666	MCCOR
80529S	MCCOR	473317	!	806000	TIMKE	806000		80670	MCCOR
805303	TIMKE	805303		806002	TIMKE	806002		80671	MCCOR
805308	WILYS	40286		806003	TIMKE	806003		80671	NATL
80531	MCCOR	6966S		806004	TIMKE	806004		80672	MCCOR
80532	MCCOR	473231	!	80601	MCCOR	7537S		80673	MCCOR
80533	MCCOR	472164	!	8060152	GMC	473228	!	80674	MCCOR
80534	MCCOR	7018N	=	80602	MCCOR	7399S	!	80675	MCCOR
80535	MCCOR	473234	!	80603	MCCOR	7840S		80676	MCCOR
80536	MCCOR	7686S		80604	MCCOR	7399S	!	8067692	GMC
80537	MCCOR	470625	!	80605	MCCOR	480210	!	8067694	GMC
80539	MCCOR	474256	!	80606	MCCOR	40769S		80678	MCCOR
80540	MCCOR	340787		80607	MCCOR	7412S		80679	MCCOR
80541	MCCOR	352541		8060884	WHITE	386025A		80680	MCCOR
80542	MCCOR	470954	!	8060889	WHITE	370048A		80681	MCCOR
805424	AM HO	416345	!	8060889	WHITE	380048A		80682	MCCOR
805424	AM HO	455033		80609	MCCOR	474260	!	80683	MCCOR
805425	AM HO	415035	!	80610	MCCOR	41257	!	80685	MCCOR
805425	AM HO	415035	!	806103	TIMKE	806103		80686	MCCOR
805430	AM HO	416888	!	80612	MCCOR	331228H		80687	MCCOR
805432	AM HO	415351	!	80614	MCCOR	470774	!	80688	MCCOR
8054341	GMC	473016	!	80615	MCCOR	203008		80688	MCCOR
805449	AM HO	417298	!	80616	MCCOR	353135		80690	MCCOR
80545	MCCOR	471787	!	80616	MCCOR	474278	!	80691	MCCOR
80546	MCCOR	472354	!	80617	MCCOR	203016		80692	MCCOR
80548	MCCOR	473412		80618	MCCOR	471750	!	80693	MCCOR
80549	MCCOR	471264	!	80619	MCCOR	203003		80696	MCCOR
8055	C-R	471231	!	80620	MCCOR	6906S		80697	MCCOR
80550	MCCOR	7014S		806203	TIMKE	806203		80698	MCCOR
805500	TIMKE	805500		80621	MCCOR	203012		80700	MCCOR
805502	TIMKE	805502		80622	MCCOR	203025		807000	TIMKE
805503	TIMKE	805503		80623	MCCOR	203013		807003	TIMKE
805504	TIMKE	805504		80624	MCCOR	6832S		80701	MCCOR
80551	MCCOR	340823		80625	MCCOR	204008		80702	MCCOR
80553	MCCOR	451583	!	80627	MCCOR	204020		80703	MCCOR
80554	MCCOR	471763	!	80627	MCCOR	204505	!	80704	MCCOR
80556	MCCOR	473228	!	80628	MCCOR	481073	!	807250	TIMKE
80557	MCCOR	471195	!	80629	MCCOR	50883	=	807500	TIMKE

! Industrial Size/Type * Minor Width Difference = Call 1-800-480-1212 for price and delivery.

Zero Duplication or Recommended		Zero Duplication or Recommended		Zero Duplication or Recommended		Zero Duplication or Recommended	
Mfr. No.	Name	Mfr. No.	Name	Mfr. No.	Name	Mfr. No.	Name
80TX144	COTTA	81101429	BUC-E	8130810	AMC	814796	WHITE
80TX288	COTTA	811035	C-W	8130870	AMC	814797	WHITE
80TX314	COTTA	811035	WOOL	8130870	AMC	81480	EATON
80TX334	COTTA	8110351	AMC	8130982	AMC	814816	WHITE
80TX343	COTTA	8110371	AMC	8130982	AMC	814F	OSHKO
80TX410	COTTA	8110486	AMC	8131286	COC	815000	TIMKE
80TX411	COTTA	8111601	AMC	8131669	AMC	815003	TIMKE
80TX483	COTTA	81122	GRAM	8131674	AMC	81516H	IH
80TX547	COTTA	8112404	AMC	8131684	AMC	815177	CUSH
80TX571	COTTA	8113A	C-R	8131684	AMC	815177	O-M
80TX572	COTTA	811500	TIMKE	8132218	AMC	815187	CUSH
80TX660	COTTA	8117	SPG	8132221	AMC	815187	O-M
80TX683	COTTA	812	UNIVE	8132422	COC	815219C91	IH
80VX1306	COTTA	812000	TIMKE	8132504	AMC	815405637	AUDI
80VX1322	COTTA	812003	TIMKE	8132504	AMC	81540R91	IH
80X10010XX	TIMKE	8120358	AMC	8132672	AMC	815497	WHITE
80X100X10	NATL	812041	AM HO	8132779	AMC	815500	TIMKE
80X100X10SC	TRSCM	812057	AM HO	813281	O-M	815503	TIMKE
80X100X10TC	TRSCM	812059	AM HO	813282	CUSH	815816	CUSH
80X10510XX	TIMKE	8120839	AMC	8132822	AMC	815947	WHITE
80X10513XX	TIMKE	8120977	AMC	8132957	AMC	8160	C-R
80X105X10ASN	ISP	8120978	AMC	8133432	AMC	816000	TIMKE
80X105X13SC	TRSCM	8120982	AMC	8133528	AMC	816003	TIMKE
80X105X13TC	TRSCM	8121	SPG	8133529	AMC	81607XX	TIMKE
80X105X14	NATL	812103	MICH	8133643	AMC	8160S	NATL
80X11010XX	TIMKE	8121037	UNIVE	8133S	TIMKE	8160S	TIMKE
80X11012XX	TIMKE	8121246	GMC	8134012	AMC	816105	MICH
80X110X10	NATL	8121397	AMC	8134206	AMC	8161050	UNIVE
80X110X10SC	TRSCM	8121399	WILYS	8134216	AMC	8165	TIMKE
80X110X10TC	TRSCM	8121781	AMC	8134446	AMC	816500	TIMKE
80X110X12SC	TRSCM	8121M	BRAD	8134478	AMC	816503	TIMKE
80X110X12TC	TRSCM	8121S	TIMKE	8134478	AMC	81673	EATON
80X116	COTTA	8122404	AMC	8134568	AMC	81674	EATON
80X12010XX	TIMKE	8122671	AMC	8134587	AMC	8167A	C-R
80X12013XX	TIMKE	8122671	CHRYS	8134680	AMC	8169240AA019	GE
80X120X10ASN	ISP	8122739	AMC	8135	DAVEY	8169240AAP3	GE
80X120X13	SIMRT	8122838	AMC	813500	TIMKE	8169240AD10	GE
80X120X13SC	TRSCM	8122839	AMC	813503	TIMKE	8169240AD7	GE
80X120X13TC	TRSCM	8123077	AMC	813620	C-R	8169240AD9	GE
81.96501.0410	MAN	812335	CUSH	813620	GR-DV	8169240ADP1	GE
810	UNIVE	812335	O-M	813620M1	C-R	8169240ADP2	GE
8100	C-R	81240	C-R	813674	CUSH	817	GREEN
810000	TIMKE	81245	C-R	813674	O-M	817000	TIMKE
810003	TIMKE	81246	C-R	8137148	COC	817003	TIMKE
810041	EL-PA	8124630	AMC	8137328	COC	8173-18-216	VILA
810090	EL-PA	8124832	AMC	8137328	COC	817500	TIMKE
81040	SUPER	8124869	AMC	8137329	COC	817503	TIMKE
81040	TRACN	8124881	AMC	8137391	AMC	817518	WHITE
810422	AM HO	8124893	AMC	8137391	AMC	8178	C-R
810427	AM HO	81250	C-R	8138013	AMC	817960	WHITE
810441	AM HO	812500	TIMKE	8139	ALLCH	8180	C-R
810442	AM HO	81251	C-R	8139	TIMKE	818000	TIMKE
810500	TIMKE	812517	SHOV	8139	TRAC	818003	TIMKE
810510	SUPER	8125718	AMC	813W620	C-R	81805XX	TIMKE
810510	TRACN	8126S	TIMKE	814	UNIVE	81807XX	TIMKE
810513	SUPER	8127231	GMC	8140	C-R	8181N	SPG
810518	SUPER	8127350	AMC	814000	TIMKE	8181NA	TIMKE
81060	GRAM	8127387	AMC	814003	TIMKE	818500	TIMKE
810678	WILYS	8127391	AMC	81404XX	TIMKE	818503	TIMKE
810691	WILYS	8127472	AMC	814477	CUSH	818604	WHITE
8107125	GMC	8128013	AMC	814477	O-M	81886	EATON
8108	C-R	8128016	AMC	814488	CUSH	8189	C-R
8108A	C-R	8128016	AMC	8145	C-R	8190	C-R
8109	C-R	8128797	AMC	8145	CHAMP	819000	TIMKE
810915	WILYS	8129096	AMC	814500	TIMKE	819003	TIMKE
810915	WILYS	8129A	C-R	814503	TIMKE	8190535	GMC
810943	WILYS	812W34-L	C-R	814634	SPICE	8190536	GMC
811000	TIMKE	813000	TIMKE	814686	WHITE	8190A	C-R
811003	TIMKE	813003	TIMKE	81473	C-R	8193A	C-R
811011C1	IH	8130259	AMC	81474	C-R	819412	WHITE
811011C1	IH	8130762	AMC	81475R91	IH	819500	TIMKE
81101429	BUC-E	8130808	AMC	81476R91	IH	819503	TIMKE

! Industrial Size/Type * Minor Width Difference = Call 1-800-480-1212 for price and delivery.

NUMERICAL

Zero Duplication or Recommended		Zero Duplication or Recommended		Zero Duplication or Recommended		Zero Duplication or Recommended		
Mfr. No.	Name Industrial	Mfr. No.	Name Industrial	Mfr. No.	Name Industrial	Mfr. No.	Name Industrial	
819619	WHITE	415036	8206 FULLE	417316!	825624 C-R	417596	828631 WHITE	415041
819685	WHITE	6649	8207 FULLE	450084!	825624 MINMA	417596	828688 WHITE	471137
819704	WHITE	417316!	8210512A HARWA	82X105X12	82567 C-R	416951	828733 BUC-E	473459
819723	WHITE	416888!	821188 ADAMS	472185!	8257 C-R	417597	828742 BUC-E	50254 =
819819	WHITE	417344!	821276 ALLCH	470059N	82570 C-R	416422	828954 GWI	240319
81982	CATER	412119	8213 C-R	471337	82588300 BUC-E	240736	828W34-L C-R	6649
819891	WHITE	417344!	821366 ALLCH	471785!	82588303 BUC-E	473211!	829211 WHITE	471192
819990	TIMKE	819990	8214 C-R	471686*	82588490 BUC-E	470590	8293A C-R	417316!
81D6	WHITE	417191	821414C1 IH	411253!	825909 WHITE	472560N!	8293S TIMKE	8293S
81D6	WHITE	456585	8215 C-R	471686	82592078 BUC-E	55228 =	8294A C-R	415995!
81DT7A248A3A FORD	2658		821568 ALLCH	471785!	82592080 BUC-E	55228 =	829522 WHITE	330385!
81SM6700A4A FORD	3771		821610 WABCO	471692!	825933 WHITE	471466!	829638C1 IH	476838!
81SM6701A4A FORD	3772		821614 LETN	471652	825HMS7 C-R	417597	829653 GWI	455073
81SM6K292A4A FORD	3774		8218526 RCA	471466!	825W34-L C-R	5452	829672 GWI	417604
81T3591 FORD	474278!		8219 HYST	416271!	8260 C-R	473412	829706 WHITE	473227
81T3591A FORD	474278!		8219B HYST	416271!	826010 WHITE	417316 =	82X10513XX TIMKE	82X105X13
82-2003 MCCOR	16213		82201 L&N	240462	826047 WHITE	415035	82X105X12 SIMRT	82X105X12
82-2005 MCCOR	16203		822072 EATON	370048A	826047 WHITE	415035!	82X105X13SC TRSCM	82X105X13
82-2006 MCCOR	16205		82207XX TIMKE	8X222X	826061 WHITE	6270	82X105X13TC TRSCM	82X105X13
82-2008 MCCOR	16200		8220A C-R	473228!	82607 C-R	210X250X15	83000 FWD	471619!
82-2010 MCCOR	16211		8221321 GMC	413247!	82610 C-R	210X240X15	83002 FWD	416664!
82-2011 MCCOR	16206		8221418 GMC	417210!	826361 WHITE	472258	83003 FWD	481864
82-2014 MCCOR	16209		822309 WOOL	415991	826368 ROCKW	472636!	83004 FWD	473214!
82-2017 MCCOR	16212		822309 WOOL	455146!	826388 WHITE	472636!	83008 FWD	450446
82-588150 BUC-E	471554!		82246R1 IH	5M293	82668 LK-BT	JV1669 =	8300992 UNIT	450084!
82-588250 BUC-E	240731		8225 C-R	471686	826W34-L C-R	5406	83012 FWD	473229
82-588252 BUC-E	240731		8226 C-R	471686	826W38-L C-R	5408	83013 FWD	48028
82-588330 BUC-E	470625!		82307 AMC	5M445	8272A C-R	411253!	83015 FWD	417343!
82-588400 BUC-E	416444		8231 HYST	473232	827564 WHITE	6638S	830152 SPICE	473459
82-588410 BUC-E	412861		8233A C-R	473238	827696 GWI	472016	83015220 UNIT	412119!
82-588550 BUC-E	417495		823521 GWI	417488!	827849 BUC-E	417487	83016 FWD	415088!
82-588675 BUC-E	417512		8236 FULLE	472299	827952 GWI	471466!	83016 FWD	415088
82-588685 BUC-E	417512		82363 GRAM	5778	827953 GWI	471224!	83017 FWD	474278!
82-588695 BUC-E	472157!		82365 GRAM	40769S	827954 GWI	471765!	83018 FWD	418028
82-588695 BUC-E	472157		8238 HYST	415995!	827955 GWI	471766!	83018 FWD	455137!
82-588705 BUC-E	416888!		823D6 DIA	6864S	827956 GWI	473214	830180 GWI	412119!
82-588715 BUC-E	415371		823D6 WHITE	6864S	827957 GWI	473016!	830181 GWI	411245!
82-588810 BUC-E	415645!		8240087 RENAU	1062 =	827958 GWI	473229	830187 GWI	411245!
82-588810 BUC-E	455104		82407XX TIMKE	8X24X7	827959 GWI	473010	83022 FWD	415085!
82-588960 BUC-E	417362!		824097C91 IH	472397!	827960 GWI	473232	83022 FWD	456648
82-589215 BUC-E	417298		824107 MICH	415128*	827961 GWI	472185!	83025 FWD	471835!
82-589750 BUC-E	417598		8241075 UNIVE	415128*	827962 GWI	472179	83027 FWD	413469!
82-589760 BUC-E	455121		8243 TIMKE	8243	827963 GWI	470088	83029 FWD	473448
82-590878 BUC-E	417600		8244 SPG	7131	827964 GWI	472439	83030 FWD	415458!
82-591110 BUC-E	417602!		824634 SPICE	100495	827965 GWI	414045!	83031 FWD	415458!
82-591665 BUC-E	417604		824634 SPICE	417349	827966 GWI	473238	83032 FWD	471652
82-591815 BUC-E	455129		824636 SPICE	415995!	827967 GWI	472924!	83036 FWD	415389
82-591847 BUC-E	415090		824636 SPICE	415995!	827968 GWI	472015!	83037 FWD	417316!
82-591875 BUC-E	455462		82465612 TROS	455584	827969 GWI	472016	83039 FWD	455556
82-591953 BUC-E	417606		824878C91 IH	416706!	827970 GWI	472636!	83041 FWD	471646!
82-591956 BUC-E	55222 =		8249 BU-SP	470530!	827971 GWI	413247!	83042 FWD	473231!
82-591959 BUC-E	55239 =		8250 BU-SP	473228	827972 GWI	415449!	83043 FWD	415077
82-591960 BUC-E	55223 =		8250 C-R	473412	827973 GWI	417316!	83045 FWD	455080
82-592105 BUC-E	415482		825083 WHITE	5405	827974 GWI	55238	83047 FWD	473444
82-8714 BUC-E	471821!		8251 BU-SP	417316!	827975 GWI	416654!	83048 FWD	411376!
82-87259 BUC-E	470086		82510 C-R	455475	827976 GWI	415995!	83049 FWD	410496!
82-8751 BUC-E	415072		82512 C-R	455475	827977 GWI	415995!	8305 C-R	21X35X7
820003 TIMKE	820003		82515 C-R	455475	827978 GWI	417621!	8305 C-R	21X35X8
8200294 EATON	471272!		8252 BU-SP	470682	827979 GWI	417539!	83050 FWD	415483!
82009 MC-CL	470954!		82526 C-R	458009V	8280 C-R	471729	83051 FWD	415187!
820106 MICH	417567		8253 BU-SP	417344!	8280 FULLE	472439	83052 FWD	471270!
8201062 UNIVE	417567		82530 C-R	415124	828054 GWI	240319	83053 FWD	471647
820133 ADAMS	471267!		8254 BU-SP	415449!	828055 GWI	471413	83056 FWD	471820
820133 LETN	450398		825426 WHITE	415437	8281087 UNIVE	455129*	83059 FWD	471750!
820133 LETN	471267!		825426 WHITE	415437!	828160 GWI	471138!	83061 FWD	473462
820213C1 IH	473317		82545 EATON	415458!	828161 GWI	40566S	83065 FWD	415559
820225C1 IH	471516!		82545 IH	415458	828171 GWI	415449!	83068 FWD	416167!
8204 SUPER	415001!		82545H IH	415458	828599 GWI	472164!	83071 FWD	414268!
820442 EATON	3098 =		82546H IH	410737!	828604 WHITE	417181!	83072 CLARK	417537
820446 EATON	8635S		82548 GRAM	471750!	828605 WHITE	415995!		
820494 ADAMS	472299		82560 C-R	415124*	828628 WHITE	415458!		
8205 C-R	471686*		82562 C-R	415124	828630 WHITE	411500		

! Industrial Size/Type * Minor Width Difference = Call 1-800-480-1212 for price and delivery.

Zero Duplication or Recommended		Zero Duplication or Recommended		Zero Duplication or Recommended		Zero Duplication or Recommended					
Mfr. No.	Name Industrial	Mfr. No.	Name Industrial	Mfr. No.	Name Industrial	Mfr. No.	Name Industrial				
83739	C-R	417022	84029	FITZ	473450!	84136	FITZ	471570!	84213	MCCOR	472185!
83740	C-R	417022	84030	MCCOR	470334!	841369	WHITE	416229	84214	FITZ	473228
837445	WHITE	471887	84031	FITZ	416738!	84137	FITZ	470334!	84214	MCCOR	470682
837470	WHITE	6612S	84031	FITZ	450096	84139	FITZ	474265	842147M1	MASSE	417488 =
837470A	WHITE	6612S	84032	FITZ	476838!	84140	MCCOR	5727	842148M2	MASSE	415995!
83750	C-R	417022*	84032	MCCOR	450084!	84142	FITZ	450666	842149M2	MASSE	416706
837512	VIC	416888	84033	MCCOR	471141!	84145	MCCOR	411253!	84215	FITZ	472016
837512	WHITE	416888	84034	MCCOR	5957S	84146	FITZ	5711	84218	MCCOR	473471
837517	WHITE	5410	840344900	EATON	415371	84147	FITZ	412943	842189	GW	473445
837517A	WHITE	5410	84035	FITZ	455008	84148	MCCOR	473464!	84219	MCCOR	200354
837548	WHITE	472164!	84035	MCCOR	5246	84148	MCCOR	473464	842193	GW	455406!
837556	WHITE	472082	84036	FITZ	473367!	84149	MCCOR	5778	8421S	TIMKE	8421S
83758R91	IH	474278!	84036	FITZ	473367	84151	FITZ	473213!	84220	FITZ	450129
837596	WHITE	415371	84037	MCCOR	6090S	84153	MCCOR	473450!	84220	FITZ	472826!
8376364	CHRY	417196!	8403S	NATL	473228	84154	MCCOR	471316	84220	MCCOR	473238
837705	WHITE	416130!	84044	FITZ	450084!	84156	MCCOR	5759 =	84222	MCCOR	5877
837739	WHITE	410694!	840500	WHITE	8635S	84157	MCCOR	5756	84223	FITZ	415007
837952	GW	471466!	84052	MCCOR	471862	84159	FITZ	472924!	842235M1	MASSE	473459 =
8380	C-R	21X40X8!	84055	FITZ	5246	84159	MCCOR	410190	84224	MCCOR	472924!
8380	C-R	3388	84060	FITZ	471354!	84162	MCCOR	40973S	84226	MCCOR	416738!
8381138	GMC	415437	84062	FITZ	473446	84164	FITZ	450111	84226	MCCOR	450096
8381139	GMC	J1124	840630900	EATON	416294!	84164	MCCOR	470898	84227	MCCOR	472409!
8381A	C-R	472572!	84064	MCCOR	470354	84165	MCCOR	6064	84230	FITZ	415458!
83823	EATON	370038A	84067	MCCOR	410308!	84166	FITZ	472394	842309M1	MASSE	415960
8382454	GMC	455480!	840689800	EATON	416865	84166	MCCOR	473441	84232	MCCOR	473473
838355	WHITE	370065A	840691	GW	415991	84167	FITZ	450593!	842322M1	MASSE	473231!
838355	WHITE	376590A	840691	GW	455146!	84172	FITZ	473444	84233	MCCOR	470898
838628	C-R	455584	840692	GW	480491	84172	MCCOR	5836	84234	MCCOR	50501
838628M1	C-R	455584	84070	MCCOR	414045!	841722	WHITE	415551	84236	FITZ	415449!
8386386	CONTI	471692!	84072	MCCOR	5M403	84174	FITZ	5727	84237	FITZ	5751
838860	GW	472409!	84073	MCCOR	5M81	84176	FITZ	473444	84238	MCCOR	472179
838861	GW	470898	84074	FITZ	473448	84176	MCCOR	473179!	84241	FITZ	415254
839064	WHITE	471466!	84074	MCCOR	472439	84177	MCCOR	450274	84243	MCCOR	5924
839103	GW	472157!	84075	MCCOR	470530!	84179	MCCOR	40369S	84244	FITZ	417073
839103	GW	472157!	8407505	EATON	370064A	84180	MCCOR	40370S	84246	FITZ	473215!
839129	GMC	5419	840750500	EATON	370064A	84181	MCCOR	40286	84246	MCCOR	410737!
839495	WHITE	6872S	840754800	EATON	370077A =	84185	FITZ	473441	84247	FITZ	473467!
839496	WHITE	JV701	840776000	EATON	370094A	84186	MCCOR	5M289	84247	MCCOR	415449!
8395460	CONTI	471192	84078	FITZ	450065	84188	MCCOR	411500	84247S	FITZ	472015!
839594	WHITE	6872S	840787	GW	418028	84189	FITZ	450089	84248	FITZ	473450
839784	WHITE	471570!	840787	GW	455137!	84191	FITZ	472234	84249	FITZ	473245!
839809	GW	415234!	84080	MCCOR	50081	84191	MCCOR	473460	84249	MCCOR	450307
839810	GW	415379!	84085	MCCOR	474281!	84192	FITZ	6356	84250	FITZ	473419
839810	GW	415379!	840865	GW	472924!	84195	MCCOR	5MR71	84250	MCCOR	410987!
839811	GW	455079!	84097	MCCOR	470086	84196	MCCOR	50075 =	84251	FITZ	474253!
839984	WHITE	370001A	84098	MCCOR	450111	84197	FITZ	472287!	84253	FITZ	473458!
83BG3K169B5A	FORD	224252	840RC	SUL	415937!	84198	MCCOR	412119!	84254	MCCOR	472636!
83BG3K169B5A	FORD	42X62X8!	84102	FITZ	471750!	84199	FITZ	474264	84254S	MCCOR	472636!
83BG4676A1C	FORD	712011	84103	FITZ	411253!	84199	MCCOR	472179	84256	FITZ	471224!
83BM6700A4A	FORD	3394	84104	FITZ	474281!	84200	FITZ	470530!	84257	MCCOR	472016
83BM6701A4A	FORD	473573	84105	FITZ	470059	84200	MCCOR	473447	842579M1	MASSE	472164!
83HM-6701-A6A	FORD	415449	84105	FITZ	470380!	842017	MASSE	417344!	84257S	MCCOR	472016
83HM6700A1A	FORD	2012V	841058100	EATON	470565!	842017M1	MASSE	417344!	84258	FITZ	473460
83SM6701A6A	FORD	3772	841058300	EATON	470565!	84204	FITZ	450143	84258	MCCOR	472394
840009	SPICE	471795	84112	MCCOR	413469!	842048	WHITE	417507	84259	MCCOR	472394
84001	MCCOR	481864	841125	WHITE	415138!	842048	WHITE	417507!	84260	MCCOR	6064
84002	MCCOR	6356	84114	FITZ	473464	84205	FITZ	473367!	84261	FITZ	410190
840021100	EATON	470898!	84114	FITZ	473464!	84205	FITZ	473367	842610M1	MASSE	472636!
840021200	EATON	410308!	84115	MCCOR	5M293	84205	MCCOR	480491	84262	FITZ	471413
840021200	EATON	473468	84118	MCCOR	474265	84207	MCCOR	6064	84262	MCCOR	450467
840030	SPICE	473517!	84119	MCCOR	5M89	84208	MCCOR	5865	84263	FITZ	471820
840030	VIC	473517!	84124	FITZ	6356	84209	MCCOR	416738!	84263	MCCOR	411253!
8400544	EATON	410308	84124	MCCOR	473444	84209	MCCOR	450096	84264	FITZ	40769S
8400544-00	EATON	410308	84125	MCCOR	473467	84209S	MCCOR	416738!	842642	WHITE	240733
84006	MCCOR	5070	84126	FITZ	473367!	84209S	MCCOR	450096	84265	MCCOR	50560
840062	TW-CO	471549!	84126	FITZ	473367	84210	MCCOR	412920!	84266	MCCOR	473457!
84011	MCCOR	473459	84127	FITZ	481864	84211	FITZ	473467!	84267	MCCOR	450307
84012	MCCOR	5711	84128	MCCOR	473458!	84212	FITZ	473459	84269	MCCOR	411330!
84016	MCCOR	473473	84129	MCCOR	472234	84212	MCCOR	470898	842692	WHITE	471787!
84018	FITZ	5070	84130	MCCOR	473245!	842125M1	MASSE	417349	8426A	C-R	472185!
84021	MCCOR	473446	84131	MCCOR	473450	84212S	FITZ	473459	84270	MCCOR	470530!
84023	MCCOR	450073	84134	FITZ	414045!	84213	FITZ	5778	84273	MCCOR	415483!

! Industrial Size/Type * Minor Width Difference = Call 1-800-480-1212 for price and delivery.

Zero Duplication or Recommended		Zero Duplication or Recommended		Zero Duplication or Recommended		Zero Duplication or Recommended					
Mfr. No.	Name	Mfr. No.	Name	Mfr. No.	Name	Mfr. No.	Name				
842739M1	MASSE	340853	84330	FITZ	472560N!	843908	WHITE	240735	84456	MCCOR	472439
84274	MCCOR	40566S	84330	MCCOR	50191	84391	MCCOR	450446	84457	FITZ	415001!
84277	MCCOR	410308!	843301	WHITE	471413!	84392	MCCOR	450463	84458	MCCOR	472015!
84277S	MCCOR	410308!	84331	MCCOR	473235!	84394	FITZ	473238	84459	MCCOR	473241
84278	MCCOR	471141!	843326M1	MASSE	471192	84395	FITZ	5877	84461	MCCOR	6547
84279	FITZ	473367!	84333	MCCOR	450273	84395	MCCOR	473462	84463	FITZ	471787
84279	FITZ	473367	84335	FITZ	412119!	84396	FITZ	410190	84463	MCCOR	40094S
84279	MCCOR	450415	84335	MCCOR	472144!	84396	MCCOR	473235	84464	MCCOR	40097S
8427A	C-R	472287!	84336	FITZ	415034!	84397	FITZ	200354	84465	MCCOR	472015!
84281	FITZ	450073	84336	MCCOR	472397!	84398	FITZ	472258	84468	FITZ	471689!
84281	MCCOR	493291	84337	FITZ	471141!	84399	MCCOR	6336S	84468	MCCOR	470898
84282	FITZ	415960!	84337	MCCOR	472015!	8440	C-R	473414	84469	FITZ	472354!
842824M1	MASSE	471224!	843377M1	MASSE	471831!	844001176	IH	416404!	84469	MCCOR	6532S=
84283	FITZ	415001!	84338	MCCOR	473475	844001177	IH	417351!	8446A	C-R	80313
84284	FITZ	5756	84339	MCCOR	450326	844001180	IH	472924!	84470	FITZ	450400
84284	MCCOR	472636!	84340	FITZ	473179!	844001181	IH	415871	84470	MCCOR	473238!
84285	FITZ	473473	84340	MCCOR	412871!	844001183	IH	417546!	84471	MCCOR	471391!
84286	FITZ	471316	843413M1	MASSE	472029	84402	FITZ	6936S	84472	MCCOR	471870!
84286	MCCOR	415449!	84342	MCCOR	451948	84402S	FITZ	6936S	84473	FITZ	416654
84286S	MCCOR	415449!	84343	FITZ	472179	84403	FITZ	415041	84473	MCCOR	472492!
84289	FITZ	471820	84344	FITZ	455336	84404	FITZ	340724!	84474	FITZ	472016
842900M1	MASSE	8126S	84344	MCCOR	471424!	84404	MCCOR	473179	84474	MCCOR	472287!
84292	FITZ	471571	84345	FITZ	455249!	84406	MCCOR	410987=	84475	FITZ	415001!
84295	FITZ	240023	84346	MCCOR	471341!	84408	FITZ	471827	84475	MCCOR	472409
84297	FITZ	5778	84347	MCCOR	472319	84408	MCCOR	450068	84475S	MCCOR	472409
84297	MCCOR	203034	84348	MCCOR	450456!	84408S	FITZ	471827	84476	FITZ	450467
84298	MCCOR	471316	843485M1	MASSE	352541	84409	FITZ	470898	84476	MCCOR	471763
84299	FITZ	473214!	8434A	C-R	472258	84409	MCCOR	472070	84477	FITZ	472636!
84299	MCCOR	6098=	8435	C-R	473414*	8441	C-R	473414	84477	MCCOR	471689!
8429S	TIMKE	8429S	843506M1	MASSE	355737=	84410	MCCOR	450285	84478	FITZ	415449!
842A7	WHITE	471316	84351	MCCOR	450474	84411	FITZ	470625!	84478	MCCOR	471271!
84300	MCCOR	7107A=	84353	MCCOR	410496!	84412	MCCOR	450311	84479	FITZ	415960
84301	MCCOR	410708	84355	MCCOR	450516	84414	MCCOR	472492!	84481	MCCOR	473459
84302	MCCOR	472185!	84356	FITZ	5836	84415	FITZ	415072	84481H	MCCOR	473459
84303	FITZ	473440!	84356	MCCOR	471272!	84415	MCCOR	473197	84483	FITZ	470530!
84303	MCCOR	470530!	84356S	WHITE	471442!	844159	HESST	471391!	84483	MCCOR	415449!
84304	FITZ	472439	84357	MCCOR	471887	84416	MCCOR	50528	84484	FITZ	472394
84305	MCCOR	472179	84358	MCCOR	450533	84417	MCCOR	50631	84484	MCCOR	411376!
84306	MCCOR	473235!	84359	MCCOR	411376!	84419	FITZ	470950!	84485	FITZ	474276!
84308	FITZ	413469!	8436	C-R	473414	84419	FITZ	6241S	84485	MCCOR	470565!
84308	MCCOR	472636!	84360	MCCOR	415302	84420	MCCOR	450776!	84486	FITZ	473227!
8430S	TIMKE	8430S	84361	FITZ	6064	84421	MCCOR	416271!	84486	MCCOR	416271!
8431	C-R	473414*	84363	FITZ	473228!	84422	FITZ	471255!	84487	FITZ	411330!
84310	FITZ	5797	84364	FITZ	40370S	84422	MCCOR	416664!	84487	MCCOR	450803
84310	MCCOR	415449!	84365	FITZ	40369S	84423	FITZ	411253!	84488	FITZ	416654!
84311	MCCOR	473460	84366	MCCOR	5M356	8442SS	JN-MN	471649!	84488	MCCOR	450655=
843111M1	MASSE	470565=	843661M1	MASSE	472354!	84431	FITZ	5070	84489	FITZ	415483!
84313	MCCOR	472179	84367	FITZ	5070	84431	MCCOR	471271!	84490	MCCOR	450765!
84315	MCCOR	40085S	843671M1	MASSE	416664!	84432	FITZ	470606!	84491	FITZ	410308!
84317	FITZ	473450!	8436LUP	JN-MN	476281*	84434	MCCOR	471272!	84492	FITZ	450307
84317F	DIA	6597S	84372	FITZ	411500	84435	MCCOR	413246	84492	MCCOR	470712!
84318	FITZ	470354	84374	FITZ	6064	84437	FITZ	5924	84493	FITZ	471141!
84318	MCCOR	40526S	84375	FITZ	40286	84437	MCCOR	471316	84495	MCCOR	450313
843182	IVECO	713101	84376	FITZ	450274	84438	MCCOR	470806	84497	FITZ	353141!
84319	MCCOR	473232	843788M1	MASSE	471192	84438S	MCCOR	470806	84497	MCCOR	6180=
8431LPD	JN-MN	417298	843789M1	MASSE	473517!	84439	MCCOR	450808	844974	WHITE	417171!
8431LUP	JN-MN	417298	8437LPD	JN-MN	455022	8443LPD	JN-MN	472319	84498	MCCOR	411394!
84320	FITZ	450188	8437LUP	JN-MN	455022	8443LUP	JN-MN	472319	84499	FITZ	6064
84320	MCCOR	473313	84382	FITZ	472179	84441	FITZ	470898!	84499	MCCOR	473461!
84321	FITZ	474278!	84382	MCCOR	6283S	84443	FITZ	5921	8449SS	JN-MN	470950!
84321	MCCOR	470088	84384	FITZ	5871	84444	MCCOR	50501	8449SS	JN-MN	6241S
84322	FITZ	473447	84384	MCCOR	450776!	84445	FITZ	5957S	844F-6700-AA	FORD	712101
84323	MCCOR	412943	843844M1	MASSE	471271!	84446	MCCOR	450143	844F-6C270-AA	FORD	712102
84324	FITZ	455280	84385	MCCOR	412920!	84446A	HESST	416071	844RC	SUL	473238!
84324	MCCOR	410694!	84388	FITZ	470898!	84447	FITZ	471192	84500	FITZ	415995!
84324S	MCCOR	410694!	84388	MCCOR	470605!	84448	MCCOR	200600	84500	MCCOR	200640
84325	MCCOR	410102	84389	FITZ	473462	84449	MCCOR	80313	84501	MCCOR	473239
84326	MCCOR	472572!	84389	MCCOR	413247!	84452	FITZ	471554!	84501S	FITZ	6241S
84327	MCCOR	473449	843893M1	MASSE	472015!	84452	MCCOR	473440!	84502	FITZ	40566S
84328	FITZ	473234	8438LPD	JN-MN	417500	84453	FITZ	471192	84503	FITZ	2081
84328	MCCOR	473463	84390	FITZ	410987!	84454	MCCOR	410737!	84503	MCCOR	450472!
84329	MCCOR	473236!	84390	MCCOR	473448	84456	FITZ	473435	8450413	GMC	470682

! Industrial Size/Type * Minor Width Difference = Call 1-800-480-1212 for price and delivery.

Zero Duplication or Recommended Industrial		Zero Duplication or Recommended Industrial		Zero Duplication or Recommended Industrial		Zero Duplication or Recommended Industrial					
Mfr. No.	Name	Mfr. No.	Name	Mfr. No.	Name	Mfr. No.	Name				
845045	WHITE	415302	84554	MCCOR	350942	8460N	TIMKE	8460N	MCCOR	7381S	
84506	MCCOR	473474	84555	MCCOR	470530!	8461	C-R	473414*	8464G	P-C	TCS45483
84507	MCCOR	210914	84556	FITZ	410059	84610	FITZ	340797	8464LPD	JN-MN	471570!*
84508	FITZ	471835!	84556	FITZ	470380!	84610	MCCOR	410496!	8464LUP	JN-MN	471570!
84508	MCCOR	472924	84556	MCCOR	415449!	84611	FITZ	340413	8465	C-R	473414
84509	FITZ	473235	84556S	FITZ	410059	84611	MCCOR	410496!	84650	MCCOR	473243
84509	MCCOR	210945	84556S	FITZ	470380!	84612	FITZ	350936	84651	MCCOR	331107N
84510	MCCOR	472924!	84557	MCCOR	415449!	84612	MCCOR	470334!	84651H	MCCOR	331107N
84511	FITZ	417316!	84558	MCCOR	473215!	84613	FITZ	416130!	84651K	FITZ	5406
84511	MCCOR	410987!	84562	MCCOR	451078!	84613	MCCOR	473179!	84651N	MCCOR	331107N
84512	FITZ	6465	84563	FITZ	6489	84614	FITZ	415043	84652	FITZ	6636S
84512	MCCOR	473234!	84563	MCCOR	41081S=	84614	MCCOR	44053	84653	MCCOR	415302
84513	FITZ	470354	84565	FITZ	240151	84615	FITZ	417267	84654	FITZ	415138!
84514	FITZ	6358	84565	MCCOR	7600S	84615	MCCOR	455434	84654	MCCOR	6180=
84515	MCCOR	40627S=	84567	FITZ	50199S!	84616	FITZ	455024	84655	FITZ	415060
84516	FITZ	473228	84567	FITZ	6863S!	84616	MCCOR	6954S	84655	FITZ	455060
845161	WHITE	417158!	84567	MCCOR	6818	84617	FITZ	455151	84656	FITZ	415351!
84517	MCCOR	5MR1008	84569	MCCOR	470898!	84617	MCCOR	44052	84656	MCCOR	45827S
84519	FITZ	40769S	8457	C-R	473414*	84618	FITZ	455037	84657	FITZ	450666
84519	MCCOR	470530!	8457	FULLE	418028!	84618	MCCOR	410737!	84658	FITZ	455251H
84523	FITZ	6966S	84572	MCCOR	410708	84618S	FITZ	455037	84658	MCCOR	473452
84523	MCCOR	473442!	84573	FITZ	471766!	84619	FITZ	370036A	84659	FITZ	50560
84524	FITZ	410825	84573	MCCOR	450269	84619	MCCOR	470487!	8465LPD	JN-MN	470590
84526	MCCOR	413479	84574	FITZ	456618	8461LPD	JN-MN	470088	8465LUP	JN-MN	470590
84527	FITZ	40576S	84574	MCCOR	415449!	8461LUP	JN-MN	470088	84660	FITZ	474272!
84527	MCCOR	412119!	84575	FITZ	415371	84620	FITZ	473232!	84663	FITZ	473473
845274	WHITE	471570!	84576	FITZ	416865!	84621	FITZ	470625!	84664S	FITZ	470898
845275	WHITE	417181!	84576	MCCOR	6922=	84621	MCCOR	473228	84665	FITZ	471267!
845276	WHITE	472179	84577	MCCOR	6808N	84622	FITZ	471750!	84665S	FITZ	471267!
84528	FITZ	473229	84578	FITZ	410737!	84622	MCCOR	3103!	84666	FITZ	480630!
84529	FITZ	6270	84578	MCCOR	473234!	84623	FITZ	471619!	84667	FITZ	416921!
8452A	C-R	471649!	8458	C-R	473414*	84623	MCCOR	7107A=	84668	FITZ	410987!
84530	FITZ	5401	84580	FITZ	471862	84624	FITZ	471553!	84668	MCCOR	7457N
84530	MCCOR	450911N!	84581	MCCOR	473467!	84624	MCCOR	5126	84669	MCCOR	442380
84530K	FITZ	5401	84582	MCCOR	416271!	84625	MCCOR	7216	84670	FITZ	471316!
84532	MCCOR	6636S	84583	FITZ	412473!	846256	WHITE	471870!	84670	MCCOR	471341!
84533	FITZ	493291	84583	MCCOR	472354!	846275	WHITE	100495	84671	FITZ	416288!
84533	MCCOR	410708	84584	FITZ	410737!	846275	WHITE	417349	84671	MCCOR	7107A=
84534	FITZ	450335	84584	MCCOR	6590S	84628	MCCOR	203006!	84672	MCCOR	413246
84534	MCCOR	473179	84585	FITZ	417344!	8462LPD	JN-MN	472016	846724	GW	470625!
84535	FITZ	455151	84586	FITZ	330385!	8462LUP	JN-MN	472016	84672S	FITZ	350942
84536	FITZ	42763	84587	MCCOR	412040	84630	MCCOR	7044NA	84673	FITZ	415058
84536	MCCOR	473016!	84589	FITZ	473474	84631	MCCOR	451143	84673	MCCOR	3095
84537	MCCOR	472150	84590	FITZ	471504!	84632	FITZ	471442!	84674	FITZ	417351!
84538	FITZ	450776!	84590S	FITZ	471504!	84632	MCCOR	7018N=	84674	MCCOR	5113
84538	MCCOR	450984	84591	FITZ	6547	84633	FITZ	471466!	84674	MCCOR	7721!
84539	FITZ	450776!	84592	MCCOR	450104	84633	MCCOR	472397!	84675	FITZ	417621!
84539	MCCOR	416271!	84593	MCCOR	450133	84634	FITZ	410694!	84675	MCCOR	5573
84540	FITZ	6489	84594	MCCOR	474274	84635	FITZ	473228	84676	MCCOR	473235
84541	FITZ	6465	84595	FITZ	474264	84635	MCCOR	473466	84676S	WHITE	JV701
84541	MCCOR	472164!	84595	MCCOR	471271!	84636	FITZ	472409!	84676S	FITZ	471344
84542	FITZ	417516	84596	FITZ	6638S	84636	MCCOR	471138!	84677	FITZ	471571
84543	FITZ	472439	84599	FITZ	470954!	84638	FITZ	473214	84677	MCCOR	9150S
84544	MCCOR	470764!	846	ROCKW	370037A	84639	MCCOR	50266	84678	FITZ	415991
84544	MCCOR	50764	846	ROCKW	370338A	8463LPD	JN-MN	471554!	84678	FITZ	455146!
84545	FITZ	417316!	84600	MCCOR	450412	8463LUP	JN-MN	471554!	84678	MCCOR	205044
84545	MCCOR	6785	84602	FITZ	471267!	84640	FITZ	472179	84679	FITZ	416271!
84546	FITZ	415697!	84602	MCCOR	5589\$	84641	FITZ	472185!	84680	FITZ	411376!
84546	FITZ	455547	84603	FITZ	472572!	84641	MCCOR	473464	84680	MCCOR	205015
84546	MCCOR	416271!	84604	MCCOR	6960	84642	FITZ	483054N	84681	FITZ	416892
84547	FITZ	3210	84605	FITZ	472560N	84643	FITZ	473232	84681	MCCOR	450639
84547	MCCOR	410308	84605	MCCOR	40316S	84643	MCCOR	415449!	84682	FITZ	416070
84548	MCCOR	205004	84606	FITZ	240356	84644	FITZ	471765!	84683	FITZ	416664!
84549	MCCOR	6626S	84606	MCCOR	6985	84644	MCCOR	451469	84683	MCCOR	413248
84549K	FITZ	5403	84607	FITZ	415284	84645	FITZ	410102	84684	FITZ	415991
84550	FITZ	471316	84607	MCCOR	41075S	84645	MCCOR	472185!	84684	FITZ	455146!
84551	FITZ	472439	84607S	FITZ	415284	84646	MCCOR	473232!	84684	MCCOR	340900
84552	MCCOR	6781	84608	FITZ	6635S	84646K	FITZ	5408	84685S	FITZ	417506
84553	FITZ	472157!	84609	MCCOR	414045!	84647	MCCOR	410987!	84686	FITZ	417507!
84553	FITZ	472157	84609K	FITZ	5405	84647	MCCOR	450686	84686	FITZ	417507
84553	MCCOR	470565!	8460LPD	JN-MN	55199=	84648	FITZ	6245S=	84686	MCCOR	471341!
84554	FITZ	473235!	8460LUP	JN-MN	55199=	84648	MCCOR	413246	84687	FITZ	450482

! Industrial Size/Type * Minor Width Difference \$F-M Number Is Part Of A Kit = Call 1-800-480-1212 for price and delivery.

Zero Duplication or Recommended			Zero Duplication or Recommended			Zero Duplication or Recommended			Zero Duplication or Recommended		
Mfr. No.	Name	Industrial	Mfr. No.	Name	Industrial	Mfr. No.	Name	Industrial	Mfr. No.	Name	Industrial
84688	FITZ	417484!	84736	FITZ	473426	84805	FITZ	480630	84888S	FITZ	7600S
84688	MCCOR	331301N	84737	FITZ	416125!	84806K	FITZ	5410	848890	WHITE	476838!
84689	FITZ	410308!	84738	FITZ	416888!	84807	FITZ	350364	84889S	FITZ	471827
8468LUP	JN-MN	410708*	84739	FITZ	415995!	84808S	FITZ	471103!	84890S	FITZ	470898!
84690	FITZ	200600	84740	FITZ	413247!	84809	FITZ	450273	84891	FITZ	3103!
84690	MCCOR	5113	847407	GW	476470	84810S	FITZ	6626S	84892	FITZ	415442!
84690	MCCOR	7721!	847407	GW	476470!	84811	FITZ	472150	84892	FITZ	55442
84691	FITZ	471646!	84741	FITZ	55030	84813	FITZ	471763	84893	FITZ	55199=
84691	MCCOR	415449	84742	FITZ	416345!	84814	FITZ	417205!	84894	FITZ	417350!
84692	FITZ	450165	84742	FITZ	455033	84815S	FITZ	416297	84895	FITZ	6864S
84692	FITZ	471801!	84743	FITZ	415027	84816	FITZ	472636!	84896	FITZ	6785
84693	FITZ	471567!	84743	FITZ	415027!	84817	FITZ	472164!	84897	FITZ	6930
84694	MCCOR	350936	84745	FITZ	473016!	848178	WHITE	480630!	84898	FITZ	9568
84695S	FITZ	9613S	84746	FITZ	240119	84819	FITZ	473228!	84898A	WHITE	417563
84696	FITZ	471821!	84747	FITZ	471272!	84820S	FITZ	412473!	84899	FITZ	6985
84698	MCCOR	5589	84748	FITZ	417481	848214	WHITE	412943	848BM7-Q6	C-R	416239!
84699	FITZ	481073	84749	FITZ	6127	848225	WHITE	417596	849	EATON	370023A
84699	MCCOR	473473	84750	FITZ	471413	84823S	FITZ	6754S=	84900S	FITZ	5589
846D6	WHITE	415697!	84751	FITZ	470530!	84826S	FITZ	240470	84904	FITZ	340356
846D6	WHITE	455547	84752	FITZ	45013S	84827S	FITZ	6760S	84906S	FITZ	473234!
847	EATON	370001A	84753	FITZ	417343!	84828S	FITZ	6597S	84907S	FITZ	6952S=
847	EATON	380001A	84754	FITZ	471649!	84829S	FITZ	240736	84909	FITZ	410987=
84700	FITZ	472179	84755	FITZ	473449	84831K	FITZ	5452	84914	FITZ	473228
84700	MCCOR	470898	84756	FITZ	240319	84833	CATER	J1128	84916	FITZ	6960
84701	MCCOR	471271!	84758	FITZ	45031S	84834	FITZ	417485	84918	FITZ	205017
84702	FITZ	6370N	84759	FITZ	415036	84835S	FITZ	470530!	84919	FITZ	473317
84702	MCCOR	7751H	84760	FITZ	40085S	84836	FITZ	6781	84921S	FITZ	7686S
84703	MCCOR	472016	84761S	FITZ	416271!	84837S	FITZ	415449!	84922	FITZ	470487!
84704	MCCOR	8243	84762	FITZ	450039	84838S	FITZ	417134	84923	FITZ	44053
84705	MCCOR	8610	84763	FITZ	471760	84839	FITZ	455614	84924	FITZ	6954S
84706	FITZ	40973S	84764	FITZ	323138!	848396	WHITE	415449!	84925S	FITZ	473231!
84706	MCCOR	331227H	84765	FITZ	473010	8483LPD	JN-MN	417181!	84927	FITZ	3103!
84707	MCCOR	8168=	84767	FITZ	417356!	8483LUP	JN-MN	417181!	84927S	FITZ	415449
84708	FITZ	6643S	84767	FITZ	455188	8484	C-R	473415	84928S	FITZ	471195!
84708	MCCOR	472070	84768	FITZ	5578	84840	FITZ	417269!	84929S	FITZ	5072
84709	MCCOR	9015S	84769	FITZ	471231!	84841	FITZ	415060	8493052	GMC	415984!
8470LPD	JN-MN	417484!	84770	FITZ	481644	84841	FITZ	455060	84931	FITZ	7107A=
8470LUP	JN-MN	417484!	84773	FITZ	473234!	84842	FITZ	417353!	84932	FITZ	5126
84710	FITZ	6098=	84775	FITZ	455612=	84843	FITZ	455022	84933	FITZ	7216
84710	MCCOR	7044NA	84776	FITZ	476470	84844	FITZ	415196!	84935S	FITZ	321460
84711	CATER	471554!	84777	FITZ	340771	84846	FITZ	415711	84936S	FITZ	203006!
84713	MCCOR	6960	84778	FITZ	417349	84847	FITZ	415394	84937	FITZ	5499=
84714	FITZ	412871!	84779	FITZ	471785!	84848	FITZ	455625=	84937K	FITZ	5499=
84714	MCCOR	472082	847799	WHITE	415458!	84849	FITZ	455134!	84938	FITZ	7044NA
84715	FITZ	417355!	8477S	TIMKE	8477S	8485	C-R	473415	84939	AM WH	470059
84715	FITZ	485497	84780	FITZ	80313	84850	FITZ	417537	84939	AM WH	470380!
84715	MCCOR	332062	84781	FITZ	472397!	84851	FITZ	415350	84939S	FITZ	5092
84715S	FITZ	417355!	84783	FITZ	6090S	84852	FITZ	417344!	8493LPD	JN-MN	471138!
84715S	FITZ	485497	84784	FITZ	450398	84853	FITZ	415064	84940S	FITZ	413246
84716	MCCOR	8804S=	84784	FITZ	471267!	84856	FITZ	473234!	84941S	FITZ	3095
84716S	FITZ	472164	84786	FITZ	470954!	8485LPD	JN-MN	471649!	84942	FITZ	410708
84717	FITZ	474255	84787	FITZ	471281!	8485LUP	JN-MN	471649!	84945S	FITZ	473237
84717	MCCOR	472409	84788	FITZ	450143	84860	FITZ	6818	84947S	FITZ	7456N
84718	FITZ	470712!	84789	FITZ	6612S	84862	FITZ	6815	8494LPD	JN-MN	471138!
84718	MCCOR	8610	847899	GW	473444	848629	WHITE	417621!	8494LUP	JN-MN	471138!
84719	FITZ	473227	8478LPD	JN-MN	415284	84863	FITZ	471795	84950	FITZ	451182
84719	MCCOR	8594S	8478LUP	JN-MN	415284	84864	FITZ	6840S	849502	WHITE	417171!
8471A	C-R	417316!	84790	FITZ	473231!	84865	FITZ	6985	849505	WHITE	5471
84721	MCCOR	470487!	84791	FITZ	471413!	84869S	FITZ	6855N=	84958	FITZ	410708
84722	FITZ	472144!	84792	FITZ	415187	84871	FITZ	415960!	8495LPD	JN-MN	415254
84722	MCCOR	473179	84793	FITZ	416339	84873S	FITZ	473179	8495LUP	JN-MN	415254
84723	MCCOR	472082	84793	FITZ	455031!	84875	FITZ	41081S=	8496	C-R	482069N
84724	FITZ	370002A	84794	FITZ	416332!	84877S	FITZ	416271!	84968	FITZ	205044
84725	FITZ	6532S=	84795	FITZ	415991	84878S	FITZ	451078!	8496LPD	JN-MN	410496!
84727	FITZ	412920!	84795	FITZ	415991!	84879	FITZ	410308	8496LUP	JN-MN	410496!
84728	FITZ	415035!	84796	FITZ	471472!	8487M1	C-R	416239!	84971S	FITZ	7338N
84728	FITZ	415035	84797	FITZ	471787!	84881	FITZ	473463	84972S	FITZ	415449
84730	FITZ	5951	84798	FITZ	416229	84882K	FITZ	5458	84974S	FITZ	350936
84731	FITZ	240009	847RC	SUL	411253!	848841	WHITE	471554!	84975	FITZ	350936
84732	FITZ	7107A=	848	EATON	417505	84885S	FITZ	470774!	84975S	FITZ	350936
84734	FITZ	470605!	84803	FITZ	450269	84886S	FITZ	6966S	84976S	FITZ	474260
84735	FITZ	417223	84804	FITZ	471526!	84887S	FITZ	6241S	84979S	FITZ	472354!

! Industrial Size/Type * Minor Width Difference = Call 1-800-480-1212 for price and delivery.

NUMERICAL

Zero Duplication or Recommended Industrial		Zero Duplication or Recommended Industrial		Zero Duplication or Recommended Industrial		Zero Duplication or Recommended Industrial		
Mfr. No.	Name	Mfr. No.	Name	Mfr. No.	Name	Mfr. No.	Name	
8497LPD	JN-MN	455655!	850234	GWJ	415960!	85174	MCCOR	470354
8497LUP	JN-MN	455655!	850237C92	IH	473367	851771	WHITE	471231!
84980	FITZ	7934S	850237C92	IH	473367!	8517A	C-R	415960!
84982S	FITZ	331301N	850238C92	IH	473445=	85181S	FITZ	472341!
84984	FITZ	470712	85029S	FITZ	5111	85182S	FITZ	3698
84985	FITZ	455189	85029S	FITZ	5111S	85182S	FITZ	5092
84986S	FITZ	471821!	8502A	C-R	473447	8519	C-R	222210
84987	FITZ	7607	8502LPD	JN-MN	55030*	85191A	C-R	471413
84988	FITZ	5113	8502LUP	JN-MN	55030	85195S	FITZ	5576
84988	FITZ	7721!	85030S	FITZ	472082	85196S	FITZ	5414
84989S	FITZ	203008	850315	GWJ	417205!	85197S	FITZ	5115
84990S	FITZ	470898!	850316	GWJ	417247!	85199S	FITZ	473573
84992	FITZ	416273!	850333M1	MASSE	200354	8519H	SPG	473179
84993S	WHITE	417262!	8503LPD	JN-MN	415263	852	EATON	415058
84993S	FITZ	6241S	8503LUP	JN-MN	415263	8520	C-R	22X36X7
84994S	FITZ	7886S	85040S	FITZ	5111	85200S	FITZ	3394
84995	FITZ	41257!	85040S	FITZ	5111S	85201S	FITZ	473560N
84997	FITZ	7994S	85048S	FITZ	3945	85202S	FITZ	3103!
84998S	FITZ	9150S	8504LPD	JN-MN	417506	85203S	FITZ	2955
84999	FITZ	8139	8504LUP	JN-MN	417506	85204S	FITZ	3095
84G15	OSHKO	416288!	8505	C-R	22X31X6	852052	WHITE	471224!
84GT7A248A3A	FORD	2658	85050S	FITZ	5390	85205S	FITZ	5108
84GX15	OSHKO	416288!	85051S	FITZ	415483	85208A	WHITE	450073
850	EATON	370036A	850567	CLARK	50199S!	852172	GWJ	472157!
850	EATON	370349A	850567	CLARK	6863S!	852172	GWJ	472157
850000	FITZ	291295	85059S	FITZ	5112	8521S	TIMKE	8521S
8500058	CYCLO	474274=	85059S	FITZ	5112S	8522	C-R	222220
8500058	GR-DV	474274=	8505LPD	JN-MN	415007*	85221	AM WH	471646!
8500059	CYCLO	410825	8505LUP	JN-MN	415007	852482	WHITE	50199S!
8500060	CYCLO	416273	85063S	FITZ	5112	852482	WHITE	6863S!
8500061	CYCLO	470898	85063S	FITZ	5112S	8527160	FAIRB	471571
8500062	CYCLO	473474	8506LPD	JN-MN	417488!	852722	WHITE	417254
8500063	CYCLO	415483	8507	C-R	416239!	852723	WHITE	JV701
8500064	CYCLO	417349	8507	CABOT	416239!	85274	HOUGH	412119!
8500065	CYCLO	416332!	8507	MINMA	416239!	853	EATON	370037A
8500066	CYCLO	411160N=	85070	C-R	417604	853	EATON	370338A
8500068	CYCLO	476470	85071	C-R	417604	8530	C-R	22X37X7
8500068	CYCLO	476470!	850716	C-R	415867	85305	WITTE	472012
8500072	CYCLO	471651=	85079	AM WH	473245!	853090	WHITE	471442!
8500078	CYCLO	470954!	8507LPD	JN-MN	417488!	853170	FIAT	224040
8500079	CYCLO	471224!	8507LUP	JN-MN	417488!	853170	FIAT	40X60X10!
85002S	FITZ	471827	8507M1	C-R	416239!	8532S	SPG	370048A
85003S	FITZ	482253	8508	C-R	22X31X8!*	853391	CLARK	474278!
85005	C-R	417603!	8508	C-R	22X32X7V!	85358A	HYST	5593=
850050	CLARK	471567!	85080	C-R	417604*	853716	CLARK	450173
85006	C-R	417603!	85081044	WARNE	473245!	85375	EATON	924057
850078	CYCLO	470954!	850812	CLARK	473467!	853D6	DIA	455858
85009	C-R	417603!	85085	C-R	416394	853D6	WHITE	455858
850105	CLARK	412473!	8508LPD	JN-MN	455820	854	EATON	370019A
850109M1	MASSE	470712!	8508LUP	JN-MN	455820	8540	C-R	22X38X7!
850111S	FITZ	5337	85090	C-R	416394	8540	C-R	22X38X8
85012	C-R	417603=	8509LPD	JN-MN	417172*	85404	NATL	200642
8501238	CYCLO	471413!	8509LUP	JN-MN	417172	854090	WHITE	415437
8501239	CYCLO	471571	851	EATON	370065A	854091	WHITE	416339
8501240	CYCLO	473231!	8510	C-R	222210	854091	WHITE	455031!
8501240	GR-DV	473231=	8510	C-R	22X32X7!	8541	C-R	22X38X7V
8501241	CYCLO	472397!	8510	JAC	470954!	854276	WHITE	472179
85012S	FITZ	5092	8510LUP	JN-MN	473453	8542A	C-R	471649!
85013S	FITZ	472082	8511513C	HARWA	85X115X13	8545	C-R	222238
85014	C-R	417604	8513	C-R	22X35X7*	8545	C-R	22X38X8!
85015	C-R	417604	851350M1	MASSE	40401	85452	GRAM	471827
85015S	FITZ	332062	85137	NATL	7208S	854580	GWJ	472157
85016S	FITZ	8804S=	8515	C-R	22X35X7	854580	GWJ	472157!
850175	CLARK	450446	851522	WHITE	472560N!	854581	GWJ	416657
85017S	FITZ	9613S	8515N	TIMKE	8515N	854761	CLARK	470354
850185M1	MASSE	472015!	8516	C-R	222220	8548895	RENAU	35X50X8!
850189	GWJ	415351!	8516	C-R	22X35X7!	8548895	RENAU	3771
8501LPD	JN-MN	417198*	8516	C-R	22X35X7V!	8548983	RENAU	35X50X8!
8501LUP	JN-MN	417198	851634	WHITE	416654	8548983	RENAU	3771
85020	C-R	417604	85165	GWJ	473462	854945	WHITE	415960
85021	C-R	417604*	8516N	TIMKE	473235	8549S	TIMKE	8549S
850225M1	MASSE	471785!	8517	C-R	22X35X7	854D1	DIA	450073
854D1	WHITE	450073	855	EATON	370124A	8550	C-R	222240
855	EATON	370124A	8550	C-R	22X40X7!	855021003	BU-SP	471267!
8550	C-R	222240	855022000	BU-SP	471192	855022001	BU-SP	470625!
8550	C-R	22X40X7!	855022001	BU-SP	472394	855022010	BU-SP	472394
855021003	BU-SP	471267!	855022011	BU-SP	471224!	855022011	BU-SP	472144!
855022000	BU-SP	471192	855022012	BU-SP	472144!	855022012	BU-SP	472144!
855022001	BU-SP	470625!	855022020	BU-SP	473228	855022020	BU-SP	473228
855022010	BU-SP	472394	855022024	BU-SP	472439	855022024	BU-SP	472439
855022011	BU-SP	471224!	855022005	BU-SP	473197	855022005	BU-SP	473197
855022012	BU-SP	472144!	855022007	BU-SP	471766!	855022007	BU-SP	471766!
855022020	BU-SP	473228	855022008	BU-SP	471192	855022008	BU-SP	471192
855022024	BU-SP	472439	855022009	BU-SP	472185!	855022009	BU-SP	472185!
855022011	BU-SP	471224!	855022010	BU-SP	472394	855022010	BU-SP	472394
855022012	BU-SP	472144!	855022011	BU-SP	471224!	855022011	BU-SP	471224!
855022020	BU-SP	473228	855022012	BU-SP	472144!	855022012	BU-SP	472144!
855022024	BU-SP	472439	855022013	BU-SP	471652	855022013	BU-SP	471652
855022011	BU-SP	471224!	855022013	BU-SP	482208!	855022013	BU-SP	482208!
855022012	BU-SP	472144!	855022014	BU-SP	471766!	855022014	BU-SP	471766!
855022020	BU-SP	473228	855022015	BU-SP	470625!	855022015	BU-SP	470625!
855022024	BU-SP	472439	855022016	BU-SP	471224!	855022016	BU-SP	471224!
855022011	BU-SP	471224!	855022017	BU-SP	471192	855022017	BU-SP	471192
855022012	BU-SP	472144!	855022018	BU-SP	472394	855022018	BU-SP	472394
855022020	BU-SP	473228	855022019	BU-SP	7216	855022019	BU-SP	7216
855022024	BU-SP	472439	855022020	BU-SP	5711	855022020	BU-SP	5711
855022011	BU-SP	471224!	855022021	BU-SP	473238	855022021	BU-SP	473238
855022012	BU-SP	472144!	855022022	BU-SP	472164!	855022022	BU-SP	472164!
855022020	BU-SP	473228	855022023	BU-SP	473228	855022023	BU-SP	473228
855022024	BU-SP	472439	855022024	BU-SP	472439	855022024	BU-SP	472439
855022011	BU-SP	471224!	855022025	BU-SP	471141!	855022025	BU-SP	471141!
855022012	BU-SP	472144!	855022026	BU-SP	472144!	855022026	BU-SP	472144!
855022020	BU-SP	473228	855022027	BU-SP	451817	855022027	BU-SP	451817
855022024	BU-SP	472439	855022028	BU-SP	470625!	855022028	BU-SP	470625!
855022011	BU-SP	471224!	855022029	BU-SP	470625!	855022029	BU-SP	470625!
855022012	BU-SP	472144!	855022030	BU-SP	473228	855022030	BU-SP	473228
855022020	BU-SP	473228	855022031	BU-SP	473445	855022031	BU-SP	473445
855022024	BU-SP	472439	855022032	BU-SP	470682	855022032	BU-SP	470682
855022011	BU-SP	471224!	855022033	BU-SP	471750!	855022033	BU-SP	471750!
855022012	BU-SP	472144!	855022034	BU-SP	473452	855022034	BU-SP	473452
855022020	BU-SP	473228	855022035	BU-SP	471141!	855022035	BU-SP	471141!
855022024	BU-SP	472439	855022036	BU-SP	472185!	855022036	BU-SP	472185!
855022011	BU-SP	471224!	855022038	BU-SP	471984	855022038	BU-SP	471984
855022012	BU-SP	472144!	855022039	BU-SP	5778	855022039	BU-SP	5778
855022020</								

Zero Duplication or Recommended Industrial		Zero Duplication or Recommended Industrial		Zero Duplication or Recommended Industrial		Zero Duplication or Recommended Industrial	
Mfr. No.	Name	Mfr. No.	Name	Mfr. No.	Name	Mfr. No.	Name
8624 C-R	254287!	8644709 GMC	8792S	8677 C-R	440131!	87055S94 FORD	421
8624117 AMC	411500	8645 C-R	340413	867703 WHITE	415988	8705S TIMKE	8705S
8624117 GMC	411500	8645003 GMC	340847	8677463 GMC	4333N	8706 C-R	471570!*
8624117 WILYS	411500	864530R91 IH	471442!	8677554 GMC	4674N	87061S94 FORD	427RR
8625 C-R	5976S	8646 C-R	471267!	8677749 GMC	224840	8707 C-R	471570
8625 CHERY	417967!	864643-C92 IH	370023A	8678 C-R	471267!	87074 AMC	470530!
862500 WHITE	HU009A	864743-C92 IH	370023A	86783 WHITE	471689!	8708 C-R	471570!
862501 WHITE	733067	864784-C91 IH	370023A	867887R91 IH	471466!	870889C91 IH	370048A
8625571 GMC	473179	8648 C-R	471267!	867888R91 IH	473229	870890C91 IH	370048A
862570 WHITE	415458!	8648394 GMC	3227	8679 C-R	471267!	8709 C-R	471570!
862571 WHITE	473447	8649 C-R	353132	8679679 GMC	714679	8710 C-R	471570!*
8625757 GMC	9449	86496 GRAM	472409!	8679744 GMC	710096	8711 C-R	471570!
8625892 GMC	473234	8650 C-R	471267!	8680 C-R	471267!	8711329 CHRYS	340771
8625893 GMC	5208	86504R91 IH	455008	8680 CHERY	471192	8712 C-R	471570!
8625893 GMC	9449\$	865070R91 IH	411348!	8680134 KOEH	472179	871239R91 IH	471787
86260 C-R	417567*	8650S TIMKE	473467	8680152 KOEH	471808!	871240R91 IH	471787
8626009 GMC	5208	8651 C-R	471267!	8680153 KOEH	471763	871275 WHITE	471192
8626009 GMC	9449\$	8652 C-R	471267!	8680309 KOEH	470898	871281R91 IH	40576S
8626901 GMC	5208	8653 C-R	471267!	8680322 KOEH	471271!	871303R91 IH	472560N
8626912 AMC	473179	8654 C-R	471267!	8680518 KOEH	471191	8714 C-R	472810!
8626916 GMC	473179	8654491 GMC	3227	8680541 GMC	4072N	871425 WHITE	416500
8627 C-R	254287!	8655031 GMC	9449	868137R91 IH	7013S	871425A WHITE	416500
8627 C-R	7840S	8655032 GMC	2457	868137R92 IH	7013S	871425D5 DIA	416500=
8627145 GMC	2457	8655122 GMC	473179	8682 C-R	471267!	8715 C-R	471570!
8628054 GMC	3227	8657 C-R	471267!	868251 WHITE	6886S	871601085 SOLAR	450398
8629 C-R	7014S	8657163 GMC	8792S	868276 WHITE	416921!	871601085 SOLAR	471267!
8629 STN-S	471766!	8658 C-R	471267!	868287 CLARK	473467!	871699004 SOLAR	470380!
8629A C-R	417159	8659 C-R	471267!	8683 C-R	471267!	871699046 SOLAR	471407
8630 STN-S	473228	8660 C-R	471267	8684 C-R	471267!	871699047 SOLAR	471413!
8630921 GMC	3227	8660S TIMKE	8660S	8685 C-R	471267!	871699052 SOLAR	471619!
8631156 GMC	3543	8661 C-R	471267!	8685111 GMC	224840	871699156 SOLAR	474274
8631158 GMC	3583	86614 C-R	220X250X15V	8685515 GMC	4072N	871699330 SOLAR	471643!
863154 CLARK	473467!	86615 C-R	220X250X15	8686 PUL	B300	871699348 SOLAR	471571
8631590 GMC	240385	8661602 GMC	4598	8686903 CONTI	472843	8717 C-R	471570!
8631950 GMC	3583	8662 C-R	471267!*	868695R91 IH	451948	87181 AM WH	412119!
8631950 GMC	4072N	8662A C-R	473367	868860R92 IH	HU024A	8719 C-R	471570!
8632 C-R	7014S	8663 C-R	471267!*	868861R1 IH	730004	871951 WHITE	200642
8633 C-R	254287	8664 C-R	471267!	8690 C-R	712270	87199 AM WH	455026
863490 WHITE	455480!	8664812 GMC	4072N	8691 C-R	712270	8720 C-R	471570!
8635S TIMKE	8635S	8665 C-R	471267	8691260 ACF	415035	8720035 BOWEN	415645!
8636A C-R	470050	8665542 GMC	8611N	8691260 ACF	415035!	8720035 BOWEN	455104
8637 C-R	340413	86657J DIA	417344!	8691268 ACF	471271!	8720316 GMC	340823
86374 C-R	416077	8666007 GMC	3543	869235 WHITE	416297	8721 C-R	471570!
86374 GR-DV	416077	8667 C-R	471267!	869264 WHITE	410308	872164 WHITE	471224!
86374M1 C-R	416077	86684M DIA	416654!	869550 IH	417356!	8722125045 HUB-C	471516!
8637569 GMC	340849	86689M IH	470712!	869550 IH	455188	8724S SPG	7131
863767 WHITE	730010	86690 IH	472185!	8695S TIMKE	8695S	8724S TIMKE	8724S
8637906 GMC	4072N	866964 BENDI	200642	8696 C-R	471570!*	8725 C-R	471570!
8638 HYST	471567!	867 HOLT	6701=	86960 GRAM	50402	8727 C-R	471570!
8639 HYST	471570!	8670 C-R	471267!	86964 WHITE	410308	872797 WHITE	415854
863916 WHITE	474276	86702 HOUGH	417269!	8697 C-R	471570!	872927 CLARK	474272!
864 CEW	224220	8670218 HOUGH	417269!	86978 GRAM	471224!	872E-10 CLARK	473473
864 CEW	42X56X7!	8670218 IH	417269!	86HM6700A6A FORD	3774	8731 HYST	473232
864 CEW	494117	8670283 GMC	473179	86HM6701A1A FORD	473573	873157R91 IH	471341!
8640345 GMC	473179	8671 C-R	471267!*	86SM6700A6A FORD	3771	873158R91 IH	471341!
8641 C-R	340413	867167 CLARK	471442!	86SM6701A6A FORD	3772	873190 WHITE	417316!
8641300 GMC	473179	8672 C-R	471267!*	86TM6701A1A FORD	473573	873190A WHITE	417316!
8641826 GMC	473179	867205 CLARK	416271!	8700 C-R	471570!	873448 WHITE	417570
8641878 GMC	473179	867279 WHITE	470954!	870061 WHITE	470954	87355 HYST	415995!
8641904 GMC	473179	867285 WHITE	471570!	870080 WHITE	470954!	87355 HYST	415995!
8641952 GMC	473179	8673 C-R	471267!	8702 C-R	471570!	873637 FIAT	223535
864317 WHITE	410825	867335 WHITE	417433	870217 WHITE	471737	87365 GRAM	473463
864319 GWI	472144!	8673526 GMC	4583	870224 WHITE	471795	87378 HYST	416229
864321 GWI	415007	867367 WHITE	416364!	870224B1 DIA	471795	87379 HYST	473367
864324 GWI	416865!	867385 WHITE	415458!	870224D1 DIA	471795	873793 WHITE	471224!
8643792 GMC	4072N	867385A DIA	415458!	8703 C-R	471570*	87380 HYST	473232!
8643931 GMC	5690	8674 C-R	471267!	870349 WHITE	473179	87381 HYST	472394
8643935 GMC	3459	8675730 GMC	9449	8704 C-R	471570	87382 HYST	416404!
8644 C-R	353132	8675731 GMC	2457	870453 WHITE	471224!	873837 WHITE	413248
864403 WHITE	476574N	8676 C-R	471267!	870485C91 IH	370030A	8741 C-R	471570!
8644637 GMC	4150N	867633 CLARK	5535=	8704S TIMKE	8704S	8741 HYST	470380!
8644637 GMC	710096	8676S TIMKE	8676S	8705 C-R	471570!*	8741225028 HUB-C	471224!

! Industrial Size/Type * Minor Width Difference \$F-M Number Is Part Of A Kit = Call 1-800-480-1212 for price and delivery.

Zero Duplication or Recommended		Zero Duplication or Recommended		Zero Duplication or Recommended		Zero Duplication or Recommended		
Mfr. No.	Name	Mfr. No.	Name	Mfr. No.	Name	Mfr. No.	Name	
8741225036	HUB-C	471224!	879981 BENDI	350909	88128 MCCOR	417492	881991M1 MASSE	415483!
8742125009	HUB-C	472164!	879981 BENDI	471224!	88129 MCCOR	417316!	8819LPD JN-MN	415090
8742125026	HUB-C	473197	88000 MCCOR	471413	88130 MCCOR	415960	8819LUP JN-MN	415090
8742125027	HUB-C	470390	88001 MCCOR	417073	88133 MCCOR	45013S	8820 C-R	470590
8742125045	HUB-C	471516!	88002 MCCOR	415001!	88135 MCCOR	474272	88202 MCCOR	417191
8745 C-R		471570!	88011 MCCOR	5797	88136 MCCOR	455005	88203 MCCOR	46997S
87467 BENDI		240816	88017 MCCOR	455336	88137 MCCOR	417344!	88204 MCCOR	416294!
874768 BENDI		340797	8801LPD JN-MN	417539!*	88137S MCCOR	417344!	8820G OSHKO	415001!
8748 C-R		471570!	8801LUP JN-MN	417539!	88138 MCCOR	455008	8820LPD JN-MN	471413!
8748 HYST		471264!	8802 C-R	240215	88139 MCCOR	416921!	8821 C-R	470590
87480 C-R	486642* =		88023 MCCOR	455310	88140 MCCOR	417487	882125 WHITE	415449!
8748919 WILYS		471224!	88025 MCCOR	5965	88141 MCCOR	455015	88214 MCCOR	416706!
8749999008 HUB-C		J1103	88026 MCCOR	418028	88142 MCCOR	456105	88217 MCCOR	415991
875 UNIVE		350435*	88026 MCCOR	455137!	88143 MCCOR	415085!	88217 MCCOR	415991!
8750 TIMKE		8750S	88028 MCCOR	415137!	88143 MCCOR	456648	88218 MCCOR	415995!
8752 DICO		203013	88028 MCCOR	418028	88144 MCCOR	417487	88218 MCCOR	415995!
875242 WHITE		415458!	88029 MCCOR	416288!	88145 MCCOR	416282	8821LPD JN-MN	415437!
87535 C-R		415128	88035 HYST	470954!	88146 MCCOR	417172	8821LPD JN-MN	415437
875380 C-R		455966	88045 MCCOR	475348N	881467 WHITE	412027	8821LUP JN-MN	415437
87540 C-R		415128	88046 MCCOR	417487!	88147 MCCOR	415991	8821LUP JN-MN	415437!
87541 C-R		415128*	88046 MCCOR	417487	88147 MCCOR	455146!	88221 MCCOR	5951
87550 C-R		415128	88047 MCCOR	417171!	88148 MCCOR	417134	88222 MCCOR	473214
87551 C-R		415128*	88049 MCCOR	417621!	88149 MCCOR	417351!	88223 MCCOR	5578
875560 CLARK		470059	88049S MCCOR	417621!	881499 WHITE	415938	88224 MCCOR	417343!
875560 CLARK		470380!	8804LPD JN-MN	455480!*	8814LPD JN-MN	471649!	8822A C-R	472179
8757 C-R		417564	8804LUP JN-MN	455480!	8814LUP JN-MN	471649!	8822LPD JN-MN	417362!
87578 C-R		415116	88055 MCCOR	417181!	88150 MCCOR	55155 =	8822LUP JN-MN	417362!
87578M1 C-R		415116	8806 C-R	471646!	88151 MCCOR	417488!	88230 MCCOR	5M867
876 NATL		G753	880620C91 IH	417269!	88152 MCCOR	412473!	88232 MCCOR	415995!
8760A C-R		471224!	88068 MCCOR	415988	88153 MCCOR	417492	88232 MCCOR	415995!
876235R91 IH		416130!	88068S MCCOR	415988	88154 MCCOR	417481	88233 MCCOR	5M559
8763 C-R		350877	88070 MCCOR	415254	88155 MCCOR	412861	88235 MCCOR	417350!
8763 C-R		471633	88072 MCCOR	455008	88156 MCCOR	455253	88236 MCCOR	473010!
8764886 CONTI		474255	88076 MCCOR	415007	88157 MCCOR	415259!	88237 MCCOR	416444
8764948 CONTI		7234 =	88079 MCCOR	415960	88158 MCCOR	455260	88238 MCCOR	455500
8764A C-R		410496!	88083 MCCOR	455280	88159 MCCOR	417349	88239 MCCOR	418029!
8765 C-R		471633!*	88084 MCCOR	416654!	8815LUP JN-MN	473233!	8823LPD JN-MN	415871
876506R91 IH		471538!	88085 MCCOR	455151	88160 MCCOR	417082	8823LUP JN-MN	415871
87656 HYST		415449	88088 MCCOR	415995!	88161 MCCOR	415991	8824 C-R	470590
8766 C-R		471633!	8808LPD JN-MN	417513	88161 MCCOR	455146!	88241 MCCOR	415442!
876750 WHITE		100495	8808LUP JN-MN	417513	88162 MCCOR	415984!	88241 MCCOR	55442
876750 WHITE		417349	88090 MCCOR	5921	88163 MCCOR	417191	88242 MCCOR	417343!
8772 C-R		471633!	88092 MCCOR	417316!	88163 MCCOR	456585	88244 MCCOR	412473!
8773 C-R		471646!	88093 MCCOR	417484!	88164 MCCOR	55337	88245 MCCOR	5MR1009
8773S TIMKE		471538	88093S MCCOR	417484!	88165 MCCOR	415991	88246 MCCOR	418028
8774 C-R		471646!	88094 MCCOR	417344!	88165 MCCOR	455146!	88248 MCCOR	417316!
8777 NATL		9569S	88095 MCCOR	417159	88166 C-P	471466	88249 MCCOR	416292
8777 SPG		9569S	88096 MCCOR	417159	88166 MCCOR	416404!	8824LPD JN-MN	417606
8779 C-R		471646!	88097 MCCOR	415458!	881661 WHITE	5487	8824LUP JN-MN	417606
87795 CROWN		471554!	8809LPD JN-MN	415045!	88167 C-P	340413	8825 C-R	470590
8780 C-R		471646!	8809LUP JN-MN	415045!	88175 MCCOR	417344!	88251 MCCOR	55276 =
8780 HYST		416288!	88101 MCCOR	455151	88176 HYST	415447	88252 MCCOR	416956
87804 HYST		7042S	88102 MCCOR	416654	88177 MCCOR	416706	88253 MCCOR	417484!
878155 WHITE		471553!	88103 MCCOR	416273!	8818 TMTR	330385	88257 MCCOR	415960
878163 WHITE		471765!	88104 MCCOR	417485	88180 MCCOR	417316!	88258 MCCOR	412473!
8782 C-R		471646!	88105 MCCOR	415458!	88180S MCCOR	417316!	88259 MCCOR	6575S
878346 WHITE		476470	88107 MCCOR	415001!	88183 MCCOR	416404!	8825LPD JN-MN	417525
878349 WHITE		415991	8810LPD JN-MN	416137*	88184 MCCOR	455079!	8825LUP JN-MN	417525
878349 WHITE		415991!	8810LUP JN-MN	416137	88185 MCCOR	415082	8826 TEKNI	471766!
8784 C-R		471646!	8811010A HARWA	88X110X12	88186 MCCOR	415088	88260 MCCOR	417134
8785 C-R		471646!	88111 MCCOR	3210	88186 MCCOR	415088!	88262 MCCOR	6846S =
8785A F-R-H		416921!	88115 MCCOR	5971	88187 MCCOR	455144	88264 MCCOR	6754S =
8786A F-R-H		415138	88117 MCCOR	415899N	88188 MCCOR	415350	88268 MCCOR	455566
8787 C-R		471646!	88117 MCCOR	416624	88189 MCCOR	475384	8826LPD JN-MN	417548*
8787A F-R-H		416888!	88118 MCCOR	6074	8819 C-R	470590*	8826LUP JN-MN	417548
8788A F-R-H		417563	8811LPD JN-MN	415064	88191 MCCOR	2081	88271 MCCOR	415995!
8789A F-R-H		416666	8811LUP JN-MN	415064	88192 MCCOR	6127	88272 MCCOR	417486
8792S TIMKE		8792S	88121 MCCOR	417344!	88193 MCCOR	476470	88273 MCCOR	415234!
879573 WHITE		471141!	88122 MCCOR	415960	88197 MCCOR	476470!	88274 MCCOR	415458!
879579 WHITE		471466!	88122S MCCOR	415960!	88197 MCCOR	476470	88275 MCCOR	415146!
8796 C-R		471646!	88123 MCCOR	415995!	88198 MCCOR	417343!	88275 MCCOR	415991
8797 C-R		471646!	88126 MCCOR	417351!	88199 MCCOR	410825	88277 MCCOR	5M643

! Industrial Size/Type * Minor Width Difference = Call 1-800-480-1212 for price and delivery.

Zero Duplication or Recommended		Zero Duplication or Recommended		Zero Duplication or Recommended		Zero Duplication or Recommended		
Mfr. No.	Name	Mfr. No.	Name	Mfr. No.	Name	Mfr. No.	Name	
88277S	MCCOR	410308!	8858LPD JN-MN	410102	88AX100P3 MACK	417172	88AX170 MACK	416706!
88278	MCCOR	3103!	8860 C-R	471730	88AX101 MACK	50199S!	88AX170P2 MACK	416706 =
88279	MCCOR	415857!	8860R JN-MN	417247!	88AX101 MACK	6863S!	88AX172 MACK	410102
88280	MCCOR	6930	8861SS JN-MN	473236!	88AX102 MACK	473419!	88AX173 MACK	415551
88281	MCCOR	416706!	88643 HYST	410737!	88AX103 MACK	472015!	88AX174 MACK	415035
88283	MCCOR	415984!	8864LPD JN-MN	450474*	88AX104 MACK	473213!	88AX174 MACK	415035!
88286	MCCOR	345146	8864LUP JN-MN	450474	88AX109 MACK	415449!	88AX175 MACK	472636!
88287	MCCOR	45825S	8865 C-R	471730	88AX11 MACK	470059	88AX176 MACK	471224!
88288	MCCOR	40401	8865LPD JN-MN	415001!	88AX11 MACK	470380!	88AX177 MACK	416892!
88292	MCCOR	417343!	8865LUP JN-MN	415001!	88AX110 MACK	AR12+370033A	88AX177P3 MACK	416892!
88293	MCCOR	417480!	8866 C-R	471730	88AX110P1 MACK	417356!	88AX178 MACK	415150!
88294	MCCOR	415991	8866A C-R	474276!	88AX110P1 MACK	455188	88AX18 MACK	471554!
88296R	JOHND	472287!	8868LPD JN-MN	455462	88AX111 MACK	417196!	88AX182 MACK	471554!
88300	MCCOR	416500	8868LUP JN-MN	455462	88AX113 MACK	471553!	88AX183 MACK	471567!
88301	MCCOR	410825	886D6 WHITE	5951	88AX114 MACK	471570!	88AX184 MACK	471570!
88303	MCCOR	417621!	8870 C-R	470645*	88AX115 MACK	471689!	88AX186 MACK	473367!
88304	MCCOR	411348!	88702 C-R	416557	88AX116 MACK	474281!	88AX186 MACK	473367
88307	MCCOR	8976S	8871 TIMKE	8871	88AX117 MACK	473462	88AX187 MACK	470088
88308	MCCOR	418028	88710 C-R	416657*	88AX118 MACK	473367!	88AX188 MACK	473238
88309	MCCOR	8139	887140 WHITE	HU013A	88AX118 MACK	473367	88AX189 MACK	472924!
88310	MCCOR	7338N	8871718 GMC	442380	88AX119 MACK	416738!	88AX19 MACK	415035!
88312	MCCOR	8370S	8871719 GMC	416273!	88AX119 MACK	450096	88AX19 MACK	415035
88313	MCCOR	417316!	8871720 GMC	416273!	88AX12 MACK	473426	88AX190 MACK	416738!
88314	MCCOR	8429S	8873095 GMC	416654	88AX120 MACK	472016	88AX190 MACK	450096
88319	EATON	370003A	8873096 GMC	416654	88AX120P2 MACK	472016	88AX191 MACK	412943
8831LPD	JN-MN	471192	8873427 GMC	730004	88AX120P3 MACK	472016	88AX192 MACK	412119!
8831LUP	JN-MN	471192	8873428 GMC	HU024A	88AX121 MACK	411253!	88AX193 MACK	415001!
883238	WHITE	417134	8873LPD JN-MN	473245!	88AX122 MACK	415001!	88AX194 MACK	415995!
88326M	IH	411394!	8873LUP JN-MN	473245!	88AX123 MACK	415082	88AX195 MACK	415025
88327	EATON	370121A	8875 C-R	470645*	88AX124 MACK	455280	88AX196 MACK	415035
88327M	IH	450090	8875081 GMC	410686N	88AX125 MACK	415458!	88AX196 MACK	415035!
88343	AM WH	417491	8875LUP JN-MN	416380!*	88AX126 MACK	415960	88AX197 MACK	415041
883552	WHITE	410737!	88760 C-R	455129*	88AX128 MACK	417354!	88AX198 MACK	415960!
883555	WHITE	5487	8876337 GMC	472179	88AX129 MACK	415025	88AX198P2 MACK	415960!
883557	WHITE	455858	8877993 GMC	6864S	88AX13 MACK	417316!	88AX199 MACK	417298
8835LPD	JN-MN	417604	8878141 BENDI	470590	88AX132 MACK	473426	88AX2 MACK	473458!
8835LUP	JN-MN	417604	8878142 BENDI	471785!	88AX133 MACK	417481	88AX20 MACK	415138!
8835S	TIMKE	8835S	8880SSR SPG	6638S	88AX134 MACK	417539!	88AX200 MACK	455253
8835S0	NATL	3983	8881538 GMC	J1138	88AX135 MACK	417546!	88AX201 MACK	416239!
8835SCR	SPG	8835S	8881555 GMC	415938	88AX136 MACK	415483!	88AX202 MACK	415142
8838378	RCA	240435	8881715 GMC	472015!	88AX138 MACK	415036	88AX203 MACK	415064
883865	WHITE	254287	8883 SPG	51322	88AX138P3 MACK	415036	88AX204 MACK	473245!
883867	WHITE	456744N	8884561 GMC	470898	88AX13P3 MACK	417316!	88AX205 MACK	410987!
8838LPD	JN-MN	455336*	8885 C-R	8348N=	88AX14 MACK	450040	88AX206 MACK	415350
8838LUP	JN-MN	455336	88870 GMC	473238!	88AX144 MACK	415995!	88AX207 MACK	415196!
883935M4	MASSE	1037	888712 BUC-E	455117	88AX145 MACK	473016!	88AX208 MACK	473435
8841LPD	JN-MN	417191	888712 C-R	455117	88AX146 MACK	471567!	88AX209 MACK	415960
8841LPD	JN-MN	456585	888712M1 C-R	455117	88AX147 MACK	5578 \$	88AX21 MACK	415351!
8841LUP	JN-MN	417191	888774 WHITE	6644	88AX147P2 MACK	5578 \$	88AX210 MACK	471689!
8841LUP	JN-MN	456585	8887LPD JN-MN	473448*	88AX149 MACK	417344!	88AX211 MACK	43086S
8842 C-R		471137*	8887LUP JN-MN	473448	88AX15 MACK	412119!	88AX212 MACK	415066
884299	WHITE	415483	88884A HEIL	417316!	88AX150 MACK	456890	88AX214 MACK	416277!
884439C91	IH	415072	88884A HERCU	417316!	88AX151 MACK	416921!	88AX215 MACK	416288!
884579	WHITE	417354!	8888S SPG	9449	88AX151P3 MACK	416921!	88AX215P3 MACK	416288!
884581	WHITE	472179	888910 C-R	416657	88AX152 MACK	416888!	88AX216 MACK	471688
884582	WHITE	415437	889197 WHITE	471870!	88AX153 MACK	415058	88AX217 MACK	411500
8845SS	JN-MN	476470	889246 WHITE	415995!	88AX153P3 MACK	415058	88AX218 MACK	416921!
8846 C-R		471137	88958818 GMC	415449	88AX154 MACK	415437	88AX219 MACK	476470
884615	BENDI	471267!	889736C91 HOUGH	476470	88AX154 MACK	415437!	88AX21P3 MACK	415351!
884634	SPICE	415023	889736C91 HOUGH	476470!	88AX155 MACK	417171!	88AX22 MACK	415041
8848 C-R		471137	889736C91 IH	476470	88AX156 MACK	415394	88AX221 MACK	417181!
8849 C-R		471137	889737C91 IH	417134	88AX157P3 MACK	416024	88AX222 MACK	100495
88526A	HEIL	471760	889738C91 HOUGH	417254	88AX158 MACK	415021	88AX222 MACK	417349
88526A	HERCU	471760	889738C91 IH	417254	88AX159 MACK	417621!	88AX223 MACK	416664!
885379	WHITE	6808N	889739C91 HOUGH	416041	88AX159P2 MACK	417621	88AX225 MACK	455123
885387	WHITE	410987!	889739C91 IH	416041	88AX16 MACK	471255!	88AX225P3 MACK	455123
885543	WHITE	6547	88973C91 IH	476470	88AX165 MACK	415995!	88AX226 MACK	415196!
8855SS	JN-MN	471549!	8899R JN-MN	473231	88AX165P2 MACK	415995!	88AX226P2 MACK	415196 =
8856SS	JN-MN	473405	88AX-420 MACK	370003A	88AX166 MACK	415302	88AX226P2 MACK	415196!
8857 C-R		471137	88AX1 MACK	473215!	88AX167 MACK	456105	88AX229 MACK	417247!
8857LPD	JN-MN	416282	88AX10 MACK	476838!	88AX167P3 MACK	456105	88AX231 MACK	471553!
8857LUP	JN-MN	416282	88AX100 MACK	417172	88AX17 MACK	417273	88AX231P2 MACK	471567!

! Industrial Size/Type * Minor Width Difference \$F-M Number Is Part Of A Kit = Call 1-800-480-1212 for price and delivery.

Zero Duplication or Recommended		Zero Duplication or Recommended		Zero Duplication or Recommended		Zero Duplication or Recommended	
Mfr. No.	Name	Mfr. No.	Name	Mfr. No.	Name	Mfr. No.	Name
88AX231P3	MACK	88AX316P3	MACK	88AX392P2	MACK	88AX59	MACK
88AX232	MACK	88AX317	MACK	88AX393P3	MACK	88AX59P3	MACK
88AX233	MACK	88AX319P2	MACK	88AX394P3	MACK	88AX59P3	MACK
88AX234	MACK	88AX321P3	MACK	88AX395P3	MACK	88AX6	MACK
88AX236	MACK	88AX322	MACK	88AX396P3	MACK	88AX61	MACK
88AX239	MACK	88AX322P2	MACK	88AX397P3	MACK	88AX61P3	MACK
88AX24	MACK	88AX324	MACK	88AX398P3	MACK	88AX62	MACK
88AX240	MACK	88AX326	MACK	88AX4	MACK	88AX63	MACK
88AX240	MACK	88AX327	MACK	88AX400	MACK	88AX64	MACK
88AX240P3	MACK	88AX327P2	MACK	88AX401P2	MACK	88AX65	MACK
88AX240P3	MACK	88AX328	MACK	88AX402	MACK	88AX65P3	MACK
88AX241	MACK	88AX331	MACK	88AX402	MACK	88AX66	MACK
88AX241P3	MACK	88AX331P3	MACK	88AX403	MACK	88AX67	MACK
88AX242	MACK	88AX334	MACK	88AX403	MACK	88AX68	MACK
88AX247	MACK	88AX334P3	MACK	88AX404	MACK	88AX69	MACK
88AX247P3	MACK	88AX337	MACK	88AX404	MACK	88AX7	MACK
88AX248	MACK	88AX34	MACK	88AX405	MACK	88AX70	MACK
88AX248P2	MACK	88AX340	MACK	88AX406	MACK	88AX71	MACK
88AX249	MACK	88AX340P2	MACK	88AX407	MACK	88AX72	MACK
88AX251	MACK	88AX341	MACK	88AX408P1	MACK	88AX73	MACK
88AX253	MACK	88AX341P2	MACK	88AX409P3	MACK	88AX74	MACK
88AX255	MACK	88AX342P2	MACK	88AX410P2	MACK	88AX75	MACK
88AX257	MACK	88AX343P2	MACK	88AX410P3	MACK	88AX756	MACK
88AX259	MACK	88AX344P2	MACK	88AX415P3	MACK	88AX758	MACK
88AX259P2	MACK	88AX345P2	MACK	88AX416P2	MACK	88AX75P1	MACK
88AX259P2	MACK	88AX346P2	MACK	88AX417	MACK	88AX75P3	MACK
88AX260	MACK	88AX347P2	MACK	88AX418	MACK	88AX76	MACK
88AX260P1	MACK	88AX348P2	MACK	88AX419	MACK	88AX76P3	MACK
88AX261P2	MACK	88AX348P2	MACK	88AX421	MACK	88AX77	MACK
88AX261P2	MACK	88AX349P3	MACK	88AX424	MACK	88AX77	MACK
88AX263	MACK	88AX350P3	MACK	88AX424	MACK	88AX79	MACK
88AX266	MACK	88AX353	MACK	88AX425	MACK	88AX79	MACK
88AX267	MACK	88AX353P3	MACK	88AX425	MACK	88AX79P3	MACK
88AX268	MACK	88AX354P2	MACK	88AX427	MACK	88AX79P3	MACK
88AX268P3	MACK	88AX355P2	MACK	88AX429P3	MACK	88AX7P3	MACK
88AX269P3	MACK	88AX356P2	MACK	88AX432	MACK	88AX8	MACK
88AX270	MACK	88AX357P2	MACK	88AX439	MACK	88AX81	MACK
88AX271	MACK	88AX358P2	MACK	88AX440	MACK	88AX82	MACK
88AX272	MACK	88AX359P2	MACK	88AX440	MACK	88AX82	MACK
88AX272P2	MACK	88AX360P2	MACK	88AX440P2	MACK	88AX83	MACK
88AX273	MACK	88AX361P2	MACK	88AX440P2	MACK	88AX84	MACK
88AX274P2	MACK	88AX362P2	MACK	88AX440P4	MACK	88AX84-P1	MACK
88AX275	MACK	88AX362P2	MACK	88AX441P3	MACK	88AX84-P2	MACK
88AX278	MACK	88AX362P2	MACK	88AX442P3	MACK	88AX88	MACK
88AX28	MACK	88AX363P2	MACK	88AX443	MACK	88AX89	MACK
88AX281	MACK	88AX364P2	MACK	88AX444P2	MACK	88AX9	MACK
88AX281P2	MACK	88AX365P2	MACK	88AX448	MACK	88AX90	MACK
88AX282	MACK	88AX366P2	MACK	88AX450	MACK	88AX93	MACK
88AX282P2	MACK	88AX367P2	MACK	88AX454	MACK	88AX93P3	MACK
88AX282P3	MACK	88AX368P2	MACK	88AX455	MACK	88AX94	MACK
88AX286	MACK	88AX370P3	MACK	88AX455	MACK	88AX95	MACK
88AX286P3	MACK	88AX371P2	MACK	88AX463	MACK	88AX96	MACK
88AX287	MACK	88AX372	MACK	88AX463	MACK	88AX97	MACK
88AX288	MACK	88AX373	MACK	88AX466	MACK	88AX97	MACK
88AX289	MACK	88AX374	MACK	88AX467	MACK	88AX97P3	MACK
88AX290	MACK	88AX375	MACK	88AX469	MACK	88AX97P3	MACK
88AX291	MACK	88AX376	MACK	88AX469	MACK	88AX98	MACK
88AX291P2	MACK	88AX376	MACK	88AX47	MACK	88AX99	MACK
88AX291P3	MACK	88AX378	MACK	88AX49	MACK	88AXB1	MACK
88AX292	MACK	88AX379	MACK	88AX49-P2	MACK	88AXB2	MACK
88AX292	MACK	88AX379	MACK	88AX5	MACK	88AXB21	MACK
88AX293	MACK	88AX380	MACK	88AX50	MACK	88AXB4	MACK
88AX3	MACK	88AX382	MACK	88AX51	MACK	88AXB5	MACK
88AX300	MACK	88AX382	MACK	88AX52	MACK	88AXB F	MACK
88AX303P2	MACK	88AX383P2	MACK	88AX53	MACK	88AXM	MACK
88AX306	MACK	88AX385P3	MACK	88AX54	MACK	88AXT21	MACK
88AX308	MACK	88AX386P2	MACK	88AX54	MACK	88G490	LEYLD
88AX311P3	MACK	88AX386P3	MACK	88AX55	MACK	88G490	LEYLD
88AX312	MACK	88AX387P3	MACK	88AX55-P2	MACK	88G561	LEYLD
88AX314P2	MACK	88AX388P2	MACK	88AX56	MACK	88X11012XX	TIMKE
88AX315	MACK	88AX390P2	MACK	88AX58	MACK	88X110X12	SIMRT
88AX316	MACK	88AX391P2	MACK	88AX59	MACK	88X110X12SC	TRSCM

! Industrial Size/Type * Minor Width Difference \$ F-M Number Is Part Of A Kit = Call 1-800-480-1212 for price and delivery.

NUMERICAL

Zero Duplication or Recommended Industrial		Zero Duplication or Recommended Industrial		Zero Duplication or Recommended Industrial		Zero Duplication or Recommended Industrial		
Mfr. No.	Name	Mfr. No.	Name	Mfr. No.	Name	Mfr. No.	Name	
88X110X12TC TRSCM	88X110X12	8933004143	NOK	716445	89735R1 IH	240735	8C5167 CATER	417484!
890016C91 IH	416380!	8935S	TIMKE	8935S	8973R JN-MN	472572!	8C5210 CATER	471267
8900LPD JN-MN	415284	893747	WHITE	100495	8973S SPG	9015S	8C5236 CATER	73478=
8900LUP JN-MN	415284	893747	WHITE	417349!	897436R91 IH	416426H=	8C815248 FUNK	472164!
8900S SPG	6886S	893747T2 DIA	417349!	8974S TIMKE	8974S	8974S	8C87638 FUNK	411253!
8901R JN-MN	417562	893788C91 IH	471571	897599R91 IH	455005	897599R91 IH	8D1175 FORD	410987!
890475 WHITE	470530!	8940S TIMKE	8940S	8975LPD JN-MN	471619!	8975LPD JN-MN	8D2311 CATER	416167!
8907 TIMKE	8907	8941LUP JN-MN	457299	8975LUP JN-MN	471619!	8975LUP JN-MN	8D3902 CATER	416332!
89070 C-P	470954!	894225C91 IH	412119	8975S TIMKE	8975S	8975S	8EB1190 FORD	6638S
8909 HYST	470334!	8943LPD JN-MN	455129*	8976S TIMKE	8976S	8976S	8EB3591A FORD	480630!
891002 WHITE	HU028A	8943LUP JN-MN	455129	898235-R93 IH	370019A	370019A	8EB3591A1 FORD	480630!
891004 WHITE	HU034A	8945LUP JN-MN	415023	8983501389 AMC	4370N	4370N	8EB3591A2 FORD	480630!
891015 WHITE	370001A	8945R JN-MN	415023	8983501872 AMC	474278	474278	8EQH2965 FORD	471689!
891033 WHITE	370001A	894631 SPICE	415995!	8983503010 AMC	473214!	473214!	8F0019 CATER	100641
891034 WHITE	370001A	8946315 SPICE	415072	8983503063 AMC	9912	9912	8F1596 CATER	415327
891035 WHITE	370001A	8946316 SPICE	415035!	8983503504 AMC	710202	710202	8F2079 CATER	471705!
8910A C-R	415449!	8946316 SPICE	415035	8983503752 AMC	223831	223831	8F3522 CATER	472179
89121024 RCA	470954	894632 SPICE	415449!	8983504434 AMC	472572	472572	8F3528 CATER	471763
89121027 RCA	471224	894633 H-S	415351!	8985R JN-MN	455328	455328	8F3600 CATER	415035
891437 CHRYS	5797	894633 SPICE	415351!	89878 HYST	485725N	485725N	8F4331 CATER	413479
891448 CHRYS	470354	894637 SPICE	415991	8989LPD JN-MN	450084!	450084!	8F450 CATER	470328
891448 CLARK	470354	894637 SPICE	455146!	8989LUP JN-MN	450084!	450084!	8F450 CATER	481213!
891448 MASSE	470354	894638 SPICE	470712!	898F8 C-R	415656	415656	8F5179 CATER	471442
89185 AM WH	416239!	8946LPD JN-MN	416891!	8991LPD JN-MN	411376!	411376!	8F530 CATER	415023
891944 CLARK	204013	8946LUP JN-MN	416891!	8991LUP JN-MN	411376!	411376!	8F5340 CATER	240731
8919LPD JN-MN	415090*	894763M1 MASSE	416921!	899246 WHITE	415995!	415995!	8F5583 CATER	417562
8919LUP JN-MN	415090	8947LPD JN-MN	415072	8993LPD JN-MN	55539=	55539=	8F7702 CATER	727410
8920 FALKC	416664!	8947LUP JN-MN	415072	8993LUP JN-MN	55539=	55539=	8F9770 CATER	417316!
8920 FED	416664!	8948LPD JN-MN	415090	899448 CLARK	100495	100495	8G1002 HU-WR	415027
8920200 GMC	473476	8948LUP JN-MN	415090	899448 CLARK	417349	417349	8G1002 HU-WR	415027!
892066 WHITE	370007A	8949LPD JN-MN	417562	8998 DICO	441319	441319	8G1085 HU-WR	412473!
8921150B GMC	470954!	8949LUP JN-MN	417562	8998 TIMKE	8998	8998	8G1176 HU-WR	471649!
8921301 GMC	455956H	894A786 GE	450457	89986R91 IH	450143	450143	8G1178 HU-WR	473205
8922045 GMC	417344=	8950LPD JN-MN	416229	8999LPD JN-MN	417496*	417496*	8H7319 CATER	417621
8922045-B GMC	417344=	8950LUP JN-MN	416229	8999LUP JN-MN	417496	417496	8H9155 CATER	456946N=
8922046 GMC	417344=	895121C1 IH	417316	899A4 WHITE	408	408	8H9180 CATER	J118S
8923654 GMC	417550	8951LPD JN-MN	415116	8A0-501-641A AUDI	1962	1962	8H9220 CATER	471267!
8923655 GMC	J2037=	8951LUP JN-MN	415116	8A1096 FED	410308!	410308!	8H9519 CATER	474274
8924374 GMC	455134	8952LPD JN-MN	455406!	8A1126 FED	473463	473463	8H9520 CATER	471267!
8924453 GMC	39904	8952LUP JN-MN	455406!	8A1177A FORD	471835!	471835!	8H9826 CATER	470605!
892457 WHITE	5481	8953000237 AMC	4019N	8A1177A1 FORD	471835!	471835!	8H9836 CATER	473232
8924LPD JN-MN	471833	8953000239 AMC	470547	8A1177A2 FORD	471835!	471835!	8J1190 FORD	6547
8925LPD JN-MN	417267	8953000476 AMC	473212	8A1177A3 FORD	471835!	471835!	8J4869 CATER	416364!
8925LUP JN-MN	417267	8953002642 AMC	473452	8A1190A FORD	473235	473235	8J7893 JINSON	J1119
8926135 GMC	357971V=	8953LPD JN-MN	417602!	8A3591A1 FORD	240151	240151	8L2594 CATER	471570!
8926902 GMC	415035	8953LUP JN-MN	417602!	8A3591A2 FORD	240151	240151	8L2595 CATER	417350!
89270 BR-ST	473426	895486 WHITE	415983N!	8A56277S TROS	55301S	55301S	8L2891 CATER	481443!
8927748 GMC	415284	895486T2 DIA	415983N!	8A6000 FED	471570!	471570!	8L3024 CATER	481443!
8927749 GMC	327934	895486TZ WHITE	415983N!	8A63 PUL	HU013A	HU013A	8L6547 CATER	472475
8928213 GMC	454136N	8954LPD JN-MN	417604	8A64 PUL	HU009A	HU009A	8L7657 FORD	473235!
8928LPD JN-MN	472951	8954LUP JN-MN	417604	8A7261 FED	473215!	473215!	8L7657A FORD	473235!
8928LPD JN-MN	47252	8955LPD JN-MN	416364!	8A7262 FED	471570!	471570!	8L7657B FORD	7300S
8928LUP JN-MN	472951	8955LUP JN-MN	416364!	8A7976 FED	450307	450307	8L7657C FORD	7300S
8928LUP JN-MN	474252	89569 US-EL	471821!	8A8203 FED	470898!	470898!	8M1177 FORD	40067S=
8929134 DETRO	472324	8956A C-R	417621!	8A8579 FED	415449!	415449!	8M1177A FORD	473228
8929134 GMC	472324	8956LPD JN-MN	417542	8AX1177 FORD	471835!	471835!	8M1177B FORD	473228
8929154 GMC	484156V	8956LUP JN-MN	417542	8B136 CATER	472705!	472705!	8M3524 CATER	470334!
8929213 GMC	454136N	895781 WHITE	410496!	8B2240 FED	410708	410708	8M3591 FORD	240356
8929503 GMC	4494V	8960B HYST	416921!	8B2702 CATER	473367!	473367!	8M4104 CATER	473459
893 ITM	224040	8961248 GMC	2361	8B2702 CATER	473367	473367	8M4676 FORD	5778
893 ITM	40X60X10!	896473 ROCKW	415995!	8B6341 CATER	417513	417513	8M4676A FORD	5778
89307 HYST	417262!	896473 ROCKW	415995!	8B7180 CATER	473228	473228	8M7657 FORD	473228!
8931A C-R	415088!	896473 WHITE	415995!	8B7618 CATER	410987!	410987!	8M8110 CATER	456837V
8932 FULLE	240735	896473T2 DIA	415995!	8B7989 CATER	415437	415437	8M8761 CATER	472018
893220 WHITE	6597S	89660 BR-ST	7014S	8B8252 CATER	473215!	473215!	8M8955 CATER	415035
893220K1 DIA	6597S	89692 BR-ST	471267!	8B8255 CATER	472409!	472409!	8M9299 CATER	471570!
893230 WHITE	6597S	896941R91 IH	370048A	8B8294 CATER	416654!	416654!	8N-4233A FORD	472492
8932A C-R	415832	896K1 WHITE	474276	8B8359 CATER	471766!	471766!	8N4233 FORD	472492!
8933002971 AMC	424	89724 CHRYS	471827	8B8616 CATER	476470	476470	8N4233A1 FORD	472492!
893300414 AMC	716445	8972LPD JN-MN	472185!	8B8925 CATER	473229	473229	8N4233A2 FORD	472492!
8933004143 AMC	716445	8972LUP JN-MN	472185!	8B9631 CATER	470334!	470334!	8N4248 FORD	6643S
		897348R91 IH	412119	8C3100 CATER	471192	471192	8N4248A TRU-P	6643S

! Industrial Size/Type * Minor Width Difference = Call 1-800-480-1212 for price and delivery.

Zero Duplication or Recommended		Zero Duplication or Recommended		Zero Duplication or Recommended		Zero Duplication or Recommended					
Mfr. No.	Name	Mfr. No.	Name	Mfr. No.	Name	Mfr. No.	Name				
8N4248B	FORD	6643S	90024 C-R	455462	90124111	JOY	417487	901241201	JOY	416865!	
8N4251	FORD	417316!	90025 C-R	455462	901241115	JOY	416865!	901241202	JOY	416865!	
8N4251B	FORD	417316!	900250	C-R	455462	90124112	JOY	456105	901241206	JOY	457874
8N7052	FORD	472258	900253C	SPG	712139	901241120	JOY	481073	901241208	JOY	416229
8N7052A	FORD	472258	90026	C-R	455462	901241121	JOY	471553!	901241209	JOY	411376!
8N7052A1	FORD	472258	900276	EL-MO	471570!	901241123	JOY	471689!	90124121	JOY	416892!
8N7052A2	FORD	472258	900279	EL-MO	417556	901241124	JOY	471649!	901241211	JOY	415551
8N7052A3	FORD	472258	90030	C-R	415090	901241125	JOY	471224!	901241213	JOY	417606
8N7052H	FORD	471141!	900301	EL-MO	412920!	901241127	JOY	471763	901241214	JOY	417020
8QH1174	FORD	6532S=	900302	EL-MO	471763	901241128	JOY	476838!	901241216	JOY	471648
8QH1181	FORD	6532S=	900313	EL-MO	473214!	901241129	JOY	470712!	90124122	JOY	455024
8S2225	CATER	254287*	90035	C-R	415090	90124113	JOY	415035!	901241223	JOY	412119!
8S4862	B-L-H	472164!	90036	C-R	415090*	901241133	JOY	415035!	901241224	JOY	471765!
8S5575	CATER	471442!	900366	EL-MO	416154!	901241131	JOY	471750!	901241241	JOY	470712!
8S5575	CATER	482971	900384	EL-MO	415437	901241132	JOY	470625!	90124125	JOY	417316!
8T0085	CATER	417940!	900392	EL-MO	471224!	901241133	JOY	473229	901241251	JOY	471272!
8T0322	CATER	416865N	900402C	SPG	472150	901241135	JOY	470712!	901241254	JOY	415995!
8T1009	HU-WR	473313	9004LPD	JN-MN	455019!*	901241137	JOY	473010	901241259	JOY	471570!
8T1020	HU-WR	473245!	9004LUP	JN-MN	455019!	901241138	JOY	473446	90124126	JOY	476470
8T1051	HU-WR	415938	9005	C-R	710254	901241139	JOY	473236!	901241263	JOY	415991
8T1284	HU-WR	417563	9005	JN-MN	370021A	901241142	JOY	470334!	901241263	JOY	455146!
8T1402	HU-WR	472016	900509	EL-MO	416666	901241144	JOY	473450	901241268	JOY	471567!
8T2230	CATER	4419!	90052	DENCO	410102	901241145	JOY	471866!	901241269	JOY	473213!
8T2604	CATER	351487	900520	EL-MO	416239!	901241146	JOY	473458!	901241270	JOY	417492
8T2604	CATER	7188S	9005354	GMC	415938	901241147	JOY	471868	901241271	JOY	416892!
8T3007	CATER	77980=	9005357	GMC	417602!	901241148	JOY	472439	901241272	JOY	415938
8T3413	CATER	473232	9005359	GMC	415938	90124115	JOY	455008	901241273	JOY	418028
8T4676A	FORD	410737!	9005360	GMC	416381	901241151	JOY	472397!	901241273	JOY	455137!
8T4676B	FORD	410737!	900553	EL-MO	415995!	901241152	JOY	473242	901241274	JOY	415437
8T6917	CATER	416921!	900556	EL-MO	472397!	901241153	JOY	416738!	901241275	JOY	471554!
8T7021	CATER	417939	90060	C-R	415090	901241153	JOY	450096	901241279	JOY	416664!
8T7274	FORD	472705!	90061	C-R	415090	901241154	JOY	450307	90124128	JOY	415036
8X16X7	FORSH	8X16X7	900621	EL-MO	415725!	901241155	JOY	472016	901241282	JOY	473228
8X16X7	SIMRT	8X16X7	90063	C-R	415090	901241158	JOY	411253!	90124129	JOY	415645!
8X16X7SC	TRSCM	8X16X7	90066	SPG	473367	90124116	JOY	471766!	90124129	JOY	455104
8X18X5AN(35)	ISP	8X18X5	900665	EL-MO	473241	901241160	JOY	410694!	901241290	JOY	415938
8X18X7SC	TRSCM	8X18X7	900666	EL-MO	471192	901241161	JOY	411394!	901241293	JOY	473474
8X18X7TC	TRSCM	8X18X7	90067	SPG	473228!	901241162	JOY	416271!	901241294	JOY	471466!
8X22X7	FORSH	8X22X7!	900695	EL-MO	471316	901241163	JOY	417073	901241296	JOY	450177
8X22X7	SIMRT	8X22X7!	900734	EL-MO	473227!	901241164	JOY	410496!	9012413	JOY	416107!
8X22X7SC	TRSCM	8X22X7!	900757	EL-MO	415449!	901241165	JOY	415302	9012413	JOY	455073
8X22X7TC	TRSCM	8X22X7!	900831	EL-MO	417079	901241166	JOY	415458!	901241301	JOY	416125!
8X24X7	FORSH	8X24X7	90091926	GMC	228008	901241167	JOY	417485	901241302	JOY	417262!
8X24X7	SIMRT	8X24X7	900920	EL-MO	416130!	901241168	JOY	455005	901241303	JOY	472311!
8X24X7SC	TRSCM	8X24X7	900927	EL-MO	416556!	901241169	JOY	417134	901241307	JOY	415995!
8X24X7TC	TRSCM	8X24X7	900927	EL-MO	472157	90124117	JOY	457874	901241308	JOY	471424!
9-09924-449-0	VILA	228480	900939	EL-MO	417474	901241172	JOY	417488!	901241315	JOY	471391!
900 C-R	415983N-99372		900959	EL-MO	471316	901241173	JOY	55155=	901241323	JOY	471692!
900 UNIVE	415090*		90096	ADAMS	471413	901241174	JOY	417621!	901241328	JOY	472560N!
900016	EL-MO	471424!	900974	EL-MO	472015!	901241175	JOY	416288!	901241329	JOY	473237!
90003	C-R	55301S	900991	EL-MO	415302	901241178	JOY	412473!	90124133	JOY	415007
90005	C-R	55301S	901	C-R	712270+99086	901241179	JOY	417191	90124135	JOY	473214
90006	C-R	417940!	901	C-R	712270+99087	901241179	JOY	456585	901241354	JOY	417602!
90006	C-R	55301S*	901017	WAYNE	240733	90124118	JOY	416339	90124136	JOY	415988
900108	EL-MO	416664!	901018	WAYNE	450039	90124118	JOY	455031!	90124137	JOY	471138!
900110	MICH	415090*	90102037	DEMPC	471760	901241180	JOY	415025	901241370	JOY	470605!
9001100	UNIVE	415090*	901027	WAYNE	450908=	901241181	JOY	455249!	901241376	JOY	472492!
9001223	GMC	471466!	9010625	GMC	J1117	901241182	JOY	415711	901241391	JOY	473197
90015	C-R	455476	9010630	GMC	415483	901241183	JOY	415937!	9012414	JOY	416666
900154C	SPG	712140	9010A	C-R	471763*	901241184	JOY	415379!	90124142	JOY	415379!
900156	EL-MO	415867	9012	JN-MN	370023A	901241184	JOY	415379	90124142	JOY	415379
90016	C-R	455476	90122607	GMC	710232	901241187	JOY	417211!	901241427	JOY	417316!
900160	C-R	456462	90122609	GMC	1108	901241189	JOY	415138!	90124143	JOY	418028
90017	C-R	455476	90123632	JOY	471413!	901241190	JOY	415034!	90124143	JOY	455137!
90019	C-R	455476	90124110	JOY	415058	901241192	JOY	417513	90124145	JOY	415960
9001R	JN-MN	417498	901241100	JOY	417344!	901241193	JOY	416891!	901241452	JOY	417316!
9002	JN-MN	416892	901241101	JOY	416654!	901241194	JOY	472157!	901241457	JOY	473367
900202	EL-MO	455079!	901241104	JOY	415995!	901241194	JOY	472157	90124146	JOY	473238
900218	EL-MO	471567!	901241105	JOY	473245!	901241195	JOY	416888!	90124147	JOY	415960
900229	EL-MO	415088	901241106	JOY	470059	9012412	JOY	417546!	90124148	JOY	472924!
900229	EL-MO	415088!	901241106	JOY	470380!	90124120	JOY	415045!	90124149	JOY	417356!
90023	C-R	455462*	901241108	JOY	480210!	901241200	JOY	416167!	90124149	JOY	455188

! Industrial Size/Type * Minor Width Difference = Call 1-800-480-1212 for price and delivery.

NUMERICAL

Zero Duplication or Recommended		Zero Duplication or Recommended		Zero Duplication or Recommended		Zero Duplication or Recommended		
Mfr. No.	Name	Mfr. No.	Name	Mfr. No.	Name	Mfr. No.	Name	
9012415	JOY	472185!	901244202	JOY	455137!	901248150	JOY	415138!
90124151	JOY	472636!	901244203	JOY	476470	901248156	JOY	472560N!
90124152	JOY	415995!	901244213	JOY	417356!	901248161	JOY	411394!
90124154	JOY	473232	901244213	JOY	455188	90124823	JOY	412119!
90124157	JOY	416153!	901244222	JOY	416137	9012483	JOY	412119!
90124158	JOY	470530!	901244236	JOY	417278	90124860	JOY	410190
9012416	JOY	450084!	901244246	JOY	415072	90124861	JOY	471571
90124160	JOY	410737!	90124425	JOY	417316!	90124862	JOY	470712!
90124161	JOY	473214	90124426	JOY	476470	90124869	JOY	50075=
90124164	JOY	415379	901244260	JOY	411394!	90124871	JOY	473462
90124164	JOY	415379!	901244278	JOY	471870!	90124873	JOY	471224!
90124165	JOY	416239!	9012443	JOY	416107!	90124876	JOY	417171!
90124166	JOY	417247!	9012443	JOY	455073	90124880	JOY	481568!
9012417	JOY	415001!	90124430	JOY	416921!	90124899	JOY	450068
90124171	JOY	415991	90124433	JOY	415007	901259D	SPG	413246
90124171	JOY	455146!	90124437	JOY	471138!	901288	O-M	203025
90124172	JOY	410102	90124441	JOY	417507	90129860	GMC	3543
90124173	JOY	471571	90124441	JOY	417507!	90129860	GMC	35X55X11!
90124176	JOY	473467	90124443	JOY	418028	901354A	SPG	712137
90124177	JOY	413469!	90124443	JOY	455137!	90136	WHITE	473367
90124178	JOY	417171!	901244461	JOY	472164!	90136	WHITE	473367!
90124179	JOY	415021	9012447	JOY	415449!	90136849	GMC	710399
9012418	JOY	413469!	90124476	JOY	473236!	9013LPD	JN-MN	450188
90124180	JOY	415988	90124485	JOY	50266	9013LUP	JN-MN	450188
90124181	JOY	415023	90124489	JOY	471224!	9014	JN-MN	370030A
90124182	JOY	473215!	90124491	JOY	471224!	90140	WHITE	470059
90124184	JOY	471821!	90124493	JOY	471835!	90140	WHITE	470380!
90124187	JOY	474265	90124497	JOY	471692!	9014004	ESSIC	40169S
90124189	JOY	472144!	90124499	JOY	471785!	9014005	ESSIC	471529
9012419	JOY	415027	901245121	JOY	472179	9014007	ESSIC	471567!
9012419	JOY	415027!	901245208	JOY	415437	9014015	ESSIC	450593!
90124191	JOY	473460	901246127	JOY	416891!	9014016	ESSIC	470328
90124194	JOY	472394	901246133	JOY	415138!	9014016	ESSIC	481213!
90124196	JOY	416444	901246236	JOY	472016	9014017	ESSIC	471692!
90124197	JOY	411245!	901246253	JOY	471570!	9014023	ESSIC	471787
90124198	JOY	415449!	901246276	JOY	476470	9014042	ESSIC	473231!
90124199	JOY	455151	90124629	JOY	417344!	9014043	ESSIC	471504!
901244100	JOY	471736	901246294	JOY	417596	9014049	ESSIC	472572!
901244107	JOY	470625!	90124630	JOY	416921!	9014051	ESSIC	473426
901244108	JOY	470625!	90124631	JOY	471750!	9014053	ESSIC	470059
901244109	JOY	470059	901246314	JOY	416154!	9014053	ESSIC	470380!
901244109	JOY	470380!	90124632	JOY	471413	9014055	ESSIC	471224!
90124411	JOY	417487	901246323	JOY	456105	9014060	ESSIC	471341!
901244110	JOY	470059	90124638	JOY	481163!	9014062	ESSIC	450143
901244110	JOY	470380!	90124640	JOY	472029	9014063	ESSIC	473460
901244112	JOY	473229	90124641	JOY	417507	9014065	ESSIC	472179
901244113	JOY	473229	90124641	JOY	417507!	9014072	ESSIC	471689!
90124412	JOY	456105	90124652	JOY	415995!	9014073	ESSIC	470712!
901244120	JOY	472179	90124653	JOY	415991	9014077	ESSIC	50345=
901244121	JOY	472179	90124653	JOY	455146!	9014079	ESSIC	474278!
901244127	JOY	472572!	90124664	JOY	472179	9014082	ESSIC	473227
901244132	JOY	472492!	90124666	JOY	472492!	9014085	ESSIC	470625!
901244134	JOY	472397!	90124668	JOY	471271!	9014091	ESSIC	417316!
901244136	JOY	473463	90124681	JOY	472924!	9014095	ESSIC	417350!
901244137	JOY	416738!	90124682	JOY	472397!	9014098	ESSIC	343185
901244137	JOY	450096	9012469	JOY	417344!	9014099	ESSIC	240816
901244139	JOY	450532	901247106	JOY	415995!	90141	WHITE	470059
901244140	JOY	473467	901247107	JOY	55155=	90141	WHITE	470380!
901244145	JOY	473243	901247109	JOY	417621!	9014102	ESSIC	473239
901244149	JOY	471272!	901247121	JOY	415034!	9014107	ESSIC	6283S
901244153	JOY	411253!	901247162	JOY	55301S	9014109	ESSIC	5924
901244154	JOY	412920!	901247165	JOY	415645!	9014117	ESSIC	470954!
901244155	JOY	455136	901247165	JOY	455104	9014119	ESSIC	417350!
90124416	JOY	471766!	901247177	JOY	416891!	9014120	ESSIC	471192
901244173	JOY	415449!	901247179	JOY	472636!	9014123	ESSIC	473215!
901244181	JOY	417344!	901247187	JOY	416364!	9014128	ESSIC	473229
901244182	JOY	417158!	901247193	JOY	471567!	9014131	ESSIC	473215!
901244189	JOY	417351!	901247197	JOY	415138!	9014141	ESSIC	471692!
901244191	JOY	417488!	90124731	JOY	471750!	9014143	ESSIC	413247!
901244197	JOY	417490	901247413	JOY	470605!	9014144	ESSIC	472157!
901244200	JOY	455336	90124751	JOY	472636!	9014144	ESSIC	472157
901244202	JOY	418028	901248103	JOY	473450	9014149	ESSIC	415498

! Industrial Size/Type * Minor Width Difference = Call 1-800-480-1212 for price and delivery.

Zero Duplication or Recommended			Zero Duplication or Recommended			Zero Duplication or Recommended			Zero Duplication or Recommended		
Mfr. No.	Name	Industrial	Mfr. No.	Name	Industrial	Mfr. No.	Name	Industrial	Mfr. No.	Name	Industrial
9032	JN-MN	370036A	9050715	GMC	470530!	9080	DICO	204027	9113	ALLCH	472560N!
903220	EL-PA	470530!	90516AB	CASE	473475	908000002478	ROCKW	471466!	9113	TRAC	472560N!
9032982	GMC	472439	9051749	EUCLD	410102	9080LPD	JN-MN	472354!	9113848	GMC	416394
903341	EL-MO	416556!	9051749	GMC	410102	9080LUP	JN-MN	472354!	9113LPD	JN-MN	471529
903341	EL-MO	472157	9051869	GMC	473458!	908112	MICH	415219*	9113LUP	JN-MN	471529
903342	EL-MO	417262!	9051994	GMC	415021	9081125	UNIVE	415219*	9113N	NATL	417349
903379C1	SOLAR	471571	9052155	WHITE	370001A	90842	WHITE	415001!	911447R91	IH	473463
90342143	GMC	3543	9052155	WHITE	370001A	908601	EL-MO	417603!	911448R91	IH	470954!
903457	EL-PA	416271!	9052358	GMC	415379	90870	CROWN	6668S	91170	WHITE	50560
90354378	GMC	710237	9052413	GMC	455556	9089	OLIVE	470334!	9117078	GMC	415449!
9035878	EUCLD	412473	9052824	GMC	712937	909030	OMC	17760	91172349	GMC	710505
9035878	GMC	412473	905301	AVCO	472164!	90913	SPG	415449!	91172554	GMC	710343
9036762	GMC	473215!	9053715	GMC	416282	9092LPD	JN-MN	416288!	91172558	GMC	221122
9036763	GMC	413247!	9053962	GMC	370043A	9092LUP	JN-MN	416288!	91172563	GMC	223830
9036866	GMC	9773	905476C1	SOLAR	472179	90935	CATER	472636	91173283	GMC	710523
9037454	GMC	470898	9054800	GMC	412871!	90940	WHITE	5751	91173294	GMC	710310
9037547	GMC	417040	905530C1	IH	471267!	90RU-21-P2	MACK	AR10+370020A	91173941	GMC	223605
9037591	GMC	471344	905531C1	IH	480210=	90X11012XX	TIMKE	90X110X12	91175484	GMC	710310
90386	CHRYSL	410308!	90555	C-R	230X260X15	90X110X12SC	TRSCM	90X110X12	91175954	GMC	223830
904	UNIVE	415219	90562	WHITE	473367!	90X110X12TC	TRSCM	90X110X12	91176031	GMC	223540
9040164	GMC	416654!	90562	WHITE	473367	90X11512XX	TIMKE	90X115X12	9118259	GMC	471763
904021	LETN	415483!	90563	WHITE	473449	90X12012XX	TIMKE	90X120X12	9119951	GMC	417562
904097	BADGE	473228!	9056LPD	JN-MN	451857	90X120X12SC	TRSCM	90X120X12	9119952	GMC	415645!
904111	MICH	55218=	9056LUP	JN-MN	451857	90X120X12TC	TRSCM	90X120X12	9119952	GMC	455104
9041112	UNIVE	55218*=	90574	WHITE	473228	90X12507XX	TIMKE	90X125X7	912	UNIVE	55223=
9041LPD	JN-MN	473228	905931	BADGE	472185!	90X12513XX	TIMKE	90X125X13	91201-PC1-003	ACURA	221620
9041LUP	JN-MN	473228	906006	LETN	415458!	90X125X13ASN	ISP	90X125X13	91201-PC1-004	ACURA	221620
9042321	GMC	475384	90600R1	NAVST	12473	90X125X13ASN	ISP	90X125X7*	91201-PW5-015	ACURA	710173
9042LPD	JN-MN	417191	90601H	IH	340413	90X125X13ASN(32)	ISP	90X125X13	91201-PY5-003	ACURA	225545
9042LPD	JN-MN	455165!	906026	LETN	472164!	90X14514XX	TIMKE	90X145X14	91201-PY5-005	ACURA	225545
9042LUP	JN-MN	417191	906027	LETN	472164!	910	UNIVE	55222=	91202-PY5-003	ACURA	223805
9042LUP	JN-MN	455165!	906034C1	SOLAR	470380!	91001	KELSE	412920	91202-PY5-005	ACURA	223805
9043356	GMC	6703S	906035	LETN	417171!	91001R91	IH	417316!	91203-PG6-003	ACURA	222743
9043381	GMC	472179	90623	EATON	712937	91002	KELSE	442251	91203-PR4-004	ACURA	1990
9043451	EUCLD	352541	90626	FI-CO	473228!	91002R91	IH	417316!	91205-PG1-003	ACURA	224045
9043451	GMC	352541	9062821	GMC	471504	91007	KELSE	417172	91205-PL3-B02	ACURA	224026
9043LPD	JN-MN	472397!	9063043	GMC	418028	9100801	KELSE	418028	91205-PW5-005	ACURA	710147
9043LUP	JN-MN	472397!	9063044	GMC	415991	9101191	GMC	416239!	91206-611-005	VILA	710336
9044336	GMC	480210!	9063044	GMC	455146!	91023	FRUEH	417172	91206-PG2-005	ACURA	224026
9044396	GMC	471442!	9064421	GMC	710041	9102553	GMC	417298	91206-PW5-015	ACURA	224025
904483	BADGE	471795	90648	DIVCO	474265	91036	CATER	254270	91206-PY4-003	ACURA	710298
904485	BADGE	471831!	906486	EL-MO	415389	91036	TMTR	254270	91206-PY4-004	ACURA	710298
9044LUP	JN-MN	417541	906489	EL-MO	417171!	9103939	GMC	417555!	91207-P56-003	ACURA	350609
9045LPD	JN-MN	415995!	90649	DIVCO	473462	9105070	GMC	417602!	91207-PR8-005	ACURA	710291
9045LUP	JN-MN	415995!	9065	C-R	222330	910677	NOK	70X95X10	91208-PG1-003	ACURA	710297
9046018	GMC	415234!	906501	GWI	471231!	91080R91	IH	5405	91208-PG1-005	ACURA	710297
9046020	GMC	472636!	90655	DIVCO	412119!	9108767	EUCLD	473236!	91208-PW5-005	ACURA	710249
9046310	SPICE	418028	90656	DIVCO	473245!	910984C1	SOLAR	471619!	912113	MICH	415871
9046310	SPICE	455137!	9065LUP	JN-MN	472954	9110079	GMC	55692=	9121137	UNIVE	415871
9046315	SPICE	415991	9068	C-R	222340	911035	C-W	471141!	91212-PA5-004	ACURA	710329
9046315	SPICE	455146!	907017C1	IH	471647	911035	WOOL	471141!	91212-PR3-003	ACURA	223802
9046316	SPICE	415035	907159TDR	SPG	471267	911045	LETN	472164!	91212-PR4-A01	ACURA	223802
9046316	SPICE	415035!	907273	WILYS	471341!	911046	LETN	472018	91212-PT0-003	ACURA	224052
904633	SPICE	417344!	90730	CROWN	416271!	911047	LETN	417349	91213-PH7-013	ACURA	713771
904634	SPICE	412473!	907390	WILYS	450588!	9110516	GMC	415379	91213-PH7-013	ACURA	713771
904635	SPICE	415449!	9074R	JN-MN	415449!	9110516	GMC	415379!	91213-PL2-003	ACURA	713771
904636	SPICE	418028	9076436	GMC	474278!	9110569	GMC	415995!	91213-PR3-004	ACURA	1989
904636	SPICE	455137!	907653	WILYS	472311!	9110978	GMC	415137!	91213-PR7-A01	ACURA	1989
904637	SPICE	412473!	9076LPD	JN-MN	471984	9110978	GMC	418028	91213-PY3-003	ACURA	3771
904638	SPICE	471267!	9076LUP	JN-MN	471984	9110998	GMC	455584	91213-PY3004	ACURA	3771
904639	SPICE	472193!	9077LPD	JN-MN	472185!	911105	LETN	417349	91214-PB2-003	ACURA	227610
9046A	C-R	455144	9077LUP	JN-MN	472185!	9111307	GMC	410496!	91214-PH1-013	ACURA	228015
9048LPD	JN-MN	415327*	9078	EATON	471820	911157	OMC	17760	91214-PH1-661	ACURA	228015
9048LUP	JN-MN	415327	9078	TRUK	471820	9111838	GMC	415938	91214-PR4-A01	ACURA	228015
9049	TIMKE	9049	90788	WHITE	416294!	9111933	GMC	8996S=	91214-PY3-003	ACURA	228008
9049000	GMC	471466!	9078B	EATON	412871!	9111936	GMC	415551	91215-PG2-005	ACURA	221607
904921C1	SOLAR	471407	9078C	TRUK	412871!	911216	AMC	410308!	91215-PR8-005	ACURA	710299
904922C1	SOLAR	471413!	90788	TRUK	412871!	911216	WILYS	410308!	91216-PG1-003	ACURA	710157
9049N	TIMKE	9049N	9079A	EATON	471272!	9112463	GMC	471750!	91216-PG1-005	ACURA	710157
904G	OSHKO	416476!	9079A	TRUK	471272!						
9050644	GMC	416273!	908	UNIVE	417606						
9050712	GMC	470530!	9080	C-R	450038						

! Industrial Size/Type * Minor Width Difference = Call 1-800-480-1212 for price and delivery.

NUMERICAL

Zero Duplication or Recommended		Zero Duplication or Recommended		Zero Duplication or Recommended		Zero Duplication or Recommended		
Mfr. No.	Name	Mfr. No.	Name	Mfr. No.	Name	Mfr. No.	Name	
91216-PH8-003	ACURA	222830	912749 FALCK	471504	914201 ESSIC	473234	916658 CABOT	472636!
91216-PH8-003	VILA	222830	912757 FALCK	417316!	914207 ESSIC	473454	916662 CABOT	415683
91216-PH8-005	ACURA	222830	912758 FALCK	415995!	914209 ESSIC	471765!	916720 GWI	415234!
91216-PH8-005	VILA	222830	912759 C-R	476470	914234 ESSIC	473215!	9168004 GMC	417273
91216-PH8-005	ACURA	223235	912760 FALCK	415035	914235 ESSIC	472299	9168LPD JN-MN	472070
912399	WILYS	340797	912760 FALCK	475845!	914281 ESSIC	417354!	9168LUP JN-MN	472070
91240	C-R	55532=	912761 FALCK	416888!	9142SS JN-MN	471224	9169 FULLE	240731
91249-PY3-003	ACURA	221820	912763 FALCK	416107!	9143LUP JN-MN	457294*	916968 WILYS	473459
912540	FALCK	471821!	912776 FALCK	412473!	9144LPD JN-MN	413247!	917015001 CLARK	471344
912540	MIX	471821!	912782 FALCK	416666	9144LUP JN-MN	413247!	917032 WILYS	240816
912541	FALCK	50266	912791 FALCK	416556!	91474 AM WH	416107!	9170LPD JN-MN	416888!
912541	MIX	50266	912791 FALCK	472157	91474 AM WH	455073	9170LUP JN-MN	416888!
912542	MIX	413247!	912794 FALCK	413247!	91474 CHRYS	471413!	9171LPD JN-MN	471887
912543	FALCK	417159	912795 FALCK	415498	914802 WILYS	6465	9171LUP JN-MN	471887
912543	MIX	417159	912796 FALCK	415150!	914971 WILYS	340210	9175976 GMC	415995!
912544	FALCK	415498	912810 FALCK	411245!	914972 WILYS	471341!	9178S TIMKE	9178S
912544	MIX	415498	912811 FALCK	417967!	9149LPD JN-MN	411394!	91807XX TIMKE	9X18X7
912545	FALCK	455037	912818 FALCK	416888!	9149LUP JN-MN	411394!	918083 WILYS	472015!
912545	MIX	455037	912820 FALCK	476470	915005C1 SOLAR	472179	9180LPD JN-MN	450177*
912546	FALCK	415138!	912822 FALCK	415379	9150S TIMKE	9150S	9180LUP JN-MN	450177
912546	MIX	415138!	912822 FALCK	415379!	9151994 GMC	415437!	9181LUP JN-MN	3395!
912547	FALCK	416107!	912823 FALCK	416107!	9151994 GMC	415437	9181LUP JN-MN	352444
912547	FALCK	455073	912823 FALCK	455073	9151LPD JN-MN	415041	9182LPD JN-MN	415995!
912547	MIX	416107!	912824 FALCK	416865!	9151LUP JN-MN	415041	9182LUP JN-MN	415995!
912547	MIX	455073	912826 FALCK	472397!	9152466 GMC	412861	918405 AMC	415960
912548	FALCK	417210!	912827 FALCK	417603!	915263 WILYS	472164!	918405 WILYS	415960!
912549	FALCK	417606	912828 FALCK	415871	915263X WILYS	472164!	918579C1 SOLAR	472397!
91255-273-000	ACURA	1172	912829 FALCK	415995!	915264 WILYS	415991	9186LUP JN-MN	471647
91255-SL0-000	ACURA	710293	912830 FALCK	415991	915264 WILYS	455146!	91870273 SOLAR	471413!
912550	FALCK	415077	912830 FALCK	415991!	915264X WILYS	415991	918702C1 SOLAR	471413!
912551	FALCK	416229	912831 FALCK	417254	915264X WILYS	455146!	9187258 GMC	415995!
912553	FALCK	415219	912832 FALCK	415294!	9152781 GMC	415991	918741 WILYS	470088
912554	FALCK	417604	912833 FALCK	416239!	9152781 GMC	415991!	9187LPD JN-MN	471619!
912557	FALCK	471138!	912834 FALCK	455121	9152LPD JN-MN	471564	9187LUP JN-MN	471619!
912558	FALCK	417350!	912839 FALCK	417600	9152LUP JN-MN	471564	9188401 GMC	416102
912559	FALCK	415234!	912840 FALCK	417158!	9153174 GMC	455584	9188402 GMC	8724S
912560	FALCK	473238	9128434 GMC	471270!	9153476 GMC	343185	9188LPD JN-MN	415302*
912561	FALCK	455079!	912846 FALCK	415001!	9153486 GMC	473215!	9188LUP JN-MN	415302
912562	FALCK	410102	912848 FALCK	415867	915496 CHRYS	6077	9189LPD JN-MN	472572!
912573	FALCK	416313	912849 FALCK	473230!	915497 CHRYS	416273!	9189LUP JN-MN	472572!
9125880	GMC	417262!	9128S TIMKE	9128S	915499 CHRYS	417485	919084C1 SOLAR	471619!
912596	FALCK	417191	9129717 GMC	416158	915561 CHRYS	470954	91909 IH	470712!
912596	FALCK	455165!	912978 FALCK	417357	9156004 GMC	416921!	9190LPD JN-MN	473240!*
912599	FALCK	470328	9129S MINNM	473467	9156005 GMC	415284	9190LUP JN-MN	473240!
912599	FALCK	481213!	913 SPICE	473215!	9156020 GMC	473243	9190N NATL	3604
91260-SK7-013	ACURA	710158	913094 IVECO	713094	915664 WILYS	2064	919250 CHRYS	3210
91260-SK7-014	ACURA	710158	91331 IH	473225!	9158953 GMC	40401	919277 CHRYS	493291
91260-SL0-004	ACURA	710160	91352 TMTR	471267!	9159LPD JN-MN	417273	919317 AMC	7245
91260-SL5-003	ACURA	710301	913580 C-R	55218=	9159LUP JN-MN	417273	919317 WILYS	7245
91260-SL5-004	ACURA	710301	913720 C-R	417598	9160997 GMC	417343!	919345 CATER	417598
91260-SL5-005	ACURA	710301	913720M1 C-R	417598	9161 TIMKE	9161	9193LPD JN-MN	417490*
91260-SR3-003	ACURA	710300	9137291 GMC	471689!	916115 MICH	417606	9193LUP JN-MN	417490
91260-SR3-004	ACURA	710300	9137381 GMC	415991	9161150 UNIVE	417606	9195848 GMC	455655!
912603	FALCK	471652	913763 CHRYS	455079!	9161942 GMC	416921!	9195902 EUCLD	416383
912603	MIX	471652	91377 CHRYS	240009	9162X SPG	8594S	9195902 GMC	416383
91262-SH3-000	ACURA	710159	91378 CHRYS	471424!	916380 WILYS	471766	919607 WILYS	6808N
91262-SH3-003	ACURA	710159	91384749 GMC	473179	916401 CABOT	415294!	91D1175 FORD	410987!
91262-SL5-003	ACURA	1213N	914 UNIVE	55224=	916402 CABOT	417205!	91T119 KELSE	5924
91262-SL5-004	ACURA	1213N	9140040 GMC	473227	916463-2 SPICE	415483!	91T1190 FORD	5924
91262-SP0-003	ACURA	1180	914005 ESSIC	471529	9164631 SPICE	413246	91T1190 KELSE	5924
91262-SP0-004	ACURA	1180	9140112 GMC	455249!	9164S SPG	473234!	91X6113 GARLK	254270
912628	FALCK	472193!	914023 ESSIC	471787	9165LPD JN-MN	416666	91X6279 GARLK	340817
912677	FALCK	416229	914035 ESSIC	470059	9165LUP JN-MN	416666	91X9518 GARLK	441130
912682	FALCK	450165	914035 ESSIC	470380!	916642 CABOT	417344!	91X9722 GARLK	340136
912682	FALCK	471801!	914043 ESSIC	471504!	916649 CABOT	476470	92007 MCCOR	5751
91270	C-R	55218=	914049 ESSIC	472572!	916650 CABOT	472179	920110 LUF	471647
912713R91	IH	6808N	914060 ESSIC	471341!	916651 CABOT	415995!	920116 MICH	55222=
912735	FALCK	415219	914099 ESSIC	240816	916654 CABOT	415991	9201162 UNIVE	55222=
912741	FALCK	415991	9141 HYST	450084!	916654 CABOT	415991!	920140 LUF	471766!
912741	FALCK	415991!	914154 ESSIC	473460	916655 CABOT	472439	92017 MCCOR	455249!
912748	C-R	473367!	914167 CHRYS	473457!	916656 CABOT	415034!	92022 MCCOR	415035
912748	FALCK	473367!	9142002 GMC	416077	916657 CABOT	415725!	92022 MCCOR	415035!

! Industrial Size/Type * Minor Width Difference = Call 1-800-480-1212 for price and delivery.

Zero Duplication or Recommended		Zero Duplication or Recommended		Zero Duplication or Recommended		Zero Duplication or Recommended	
Mfr. No.	Name	Industrial	Mfr. No.	Name	Industrial	Mfr. No.	Name
92025	MCCOR	415196!	92098	MCCOR	415187	92155	MCCOR
92026	MCCOR	415034!	92099	MCCOR	417356!	92158	MCCOR
92027	MCCOR	416345!	92099	MCCOR	455188	921584	CHRY
92027	MCCOR	455033	9209BPD	JN-MN	455584	921584	GMC
92028	MCCOR	455022	92100	MCCOR	417357	92159	MCCOR
92029	MCCOR	455134!	92100	MCCOR	455192!	921599	MIX
92030	MCCOR	415027	9210010	COC	472258!	921599	MIX
92032	MCCOR	5871	9210010	WHITE	472258!	9216177	GMC
92033	MCCOR	415437	9210080	COC	471231!	92162	MCCOR
920330	LUF	417316!	9210080	WHITE	471231!	92163	MCCOR
9203928	GMC	40360S!	9210090	COC	471192	92166	MCCOR
920400	LUF	476470	9210090	MINNM	471192	92168	MCCOR
920400	LUF	476470!	9210090	WHITE	471192	92170	MCCOR
92041	MCCOR	415437	92101	MCCOR	472157!	92171	MCCOR
92041	MCCOR	415437!	92101	MCCOR	472157	92172	MCCOR
92042	MCCOR	415023	92101-0002	WHITE	HU024A	92173	MCCOR
92048	MCCOR	6077	92101-0005	WHITE	HU149A	92174	MCCOR
92050	WHITE	415960!	92101-0006	WHITE	HU149A	92175	MCCOR
92059	MCCOR	415023	92101-0007	WHITE	HU149A	92176	MCCOR
9205LPD	JN-MN	415025*	92101-0008	WHITE	HU149A	92180	MCCOR
9205LUP	JN-MN	415025	92101-5015	VOLWH	HU009A	92182	MCCOR
92064	CHRY	472924!	9210120	COC	411394!	92182	MCCOR
92065	CHRY	471466!	9210120X	COC	411394!	92185	MCCOR
9206599	GMC	472016	921015C1	IH	472924!	92186	MCCOR
9206601	GMC	415137!	92101S	MCCOR	472157	92189	MCCOR
9206601	GMC	418028	92102	MCCOR	416888!	9218LPD	JN-MN
9206856	EUCLD	473243	92102-0001	WHITE	730149	9218LUP	JN-MN
9206856	GMC	473243	921030001	WHITE	B300	92190	MCCOR
9206858	EUCLD	417343!	92104	MCCOR	415263	92191	MCCOR
9206858	GMC	417343!	92105	MCCOR	55353	92192	MCCOR
9206860	GMC	8427=	92106	MCCOR	415394	92193	MCCOR
9207074	GMC	416102	92107	MCCOR	415437	9219362	EUCLD
9207290	EUCLD	415035	92107207	COC	418028!	9219362	GMC
9207290	GMC	415035	92107407	COC	200354	92194	MCCOR
9207290	GMC	475845!	9210750	WHITE	472185!	92195	MCCOR
920748X1	IH	415938	92107507	COC	472185!	92196	MCCOR
92076	MCCOR	415036	9210950	WHITE	473215!	92197	MCCOR
92077	MCCOR	416891!	9210969	GMC	8724S	92198	MCCOR
9207726	GMC	415052	9211020	WHITE	416888!	92198	MCCOR
9207727	GMC	8996S=	9211080	WHITE	471763	92199	MCCOR
92078	MCCOR	417205!	9211347	GMC	415146!	9219LPD	JN-MN
9207835	EUCLD	417602!	9211347	GMC	415991	9219LUP	JN-MN
9207835	GMC	417602!	92114	WHITE	473238	922	SUL
9207895	GMC	415938	9212	TMTR	40071S	92200	MCCOR
92079	MCCOR	415035	9212013A	HARWA	92X120X13	92201	MCCOR
92081	MCCOR	415021	92122	MCCOR	415142	922034R91	IH
92082	MCCOR	415025	92125	MCCOR	417210!	92204	MCCOR
92083	MCCOR	455026	92126	MCCOR	417355!	92205	AM WH
9208350	GMC	417344!	92127	MCCOR	455189	92205	MCCOR
9208384	GMC	415284	92128	MCCOR	55199=	92206	MCCOR
92084	MCCOR	415027	9212SS	JN-MN	330699	92207XX	TIMKE
92084	MCCOR	415027!	9213	TMTR	473215!	92208	MCCOR
9208405	EUCLD	416921!	92130	MCCOR	7208S	92209	MCCOR
9208405	GMC	416921!	92131	MCCOR	6270	92210	MCCOR
92085	MCCOR	55028	92133	MCCOR	416556!	92211	MCCOR
9208522	GMC	415988	92133	MCCOR	472157	92214	MCCOR
92086	MCCOR	416125!	92135	MCCOR	45031S	922140	WILYS
920860	LUF	415551	92136	MCCOR	415379	92216	MCCOR
92087	MCCOR	55030	92136	MCCOR	415379!	92217	MCCOR
9208737	EUCLD	416381	92137	MCCOR	417498	92218	MCCOR
9208737	GMC	416381	92139	MCCOR	6465	92219	MCCOR
92088	MCCOR	416339	92140	MCCOR	6465	92220	MCCOR
92088	MCCOR	455031!	92142	MCCOR	455612=	92221	MCCOR
92089	MCCOR	415036	921428C1	IH	472015!	92222	MCCOR
92090	MCCOR	416891!	92145	MCCOR	417506	92223	MCCOR
92091	MCCOR	415150!	9214517	GMC	416865!	92224	MCCOR
92092	MCCOR	417196!	92146	MCCOR	455024	92225	MCCOR
92093	MCCOR	416332!	92148	MCCOR	370002A	92225	WHITE
92094	MCCOR	417205!	92149	MCCOR	455037	92225	WHITE
92095	MCCOR	417504	92150	MCCOR	416130!	92226	MCCOR
92096	MCCOR	417211!	92152	MCCOR	415295	92228	MCCOR
92097	MCCOR	417967!	92155	MCCOR	415697!	922309	WOOL
922409	CHRY	470774!	92155	MCCOR	455576!	922409	CHRY
9224454	GMC	472397!	92158	MCCOR	455472=	9224454	GMC
92245	WHITE	50528	921584	CHRY	410987!	92245	WHITE
922474R91	IH	410825	921584	GMC	410987!	922474R91	IH
9228A	C-R	455151	92159	MCCOR	417494	9228A	C-R
92298	CHRY	412119	921599	MIX	470328	92298	CHRY
9234	ALLCH	471570!	921599	MIX	481213!	9234	ALLCH
9234555	GMC	416107!	9216177	GMC	472439	9234555	GMC
9235	C-R	340787	92162	MCCOR	55236	9235	C-R
9235168	EUCLD	415035!	92163	MCCOR	415711	9235168	EUCLD
9235168	GMC	415035!	92166	MCCOR	415437	9235168	GMC
9235169	EUCLD	470530!	92168	MCCOR	6638S	9235169	EUCLD
9235169	GMC	470530!	92170	MCCOR	417353!	9235169	GMC
9235444	GMC	J1107	92171	MCCOR	415379	9235444	GMC
9235446	IH	J1128	92172	MCCOR	417211!	9235446	IH
923561C1	GM	471341	92173	MCCOR	455191	923561C1	GM
9237R	JN-MN	470954!	92174	MCCOR	415035	9237R	JN-MN
923896	WILYS	473229	92175	MCCOR	6612S	923896	WILYS
92390	WHITE	415001!	92176	MCCOR	6644	92390	WHITE
924	CALI	415219	92180	MCCOR	416888!	924	CALI
9240	CALI	415219	92182	MCCOR	417355!	9240	CALI
92407XX	TIMKE	9X24X7	92182	MCCOR	485497	92407XX	TIMKE
9240LPD	JN-MN	470954!	92185	MCCOR	6855N=	9240LPD	JN-MN
9240LUP	JN-MN	470954!	92186	MCCOR	6864S	9240LUP	JN-MN
9241134	GMC	471652	92189	MCCOR	417210!	9241134	GMC
924117	MICH	55223=	9218LPD	JN-MN	473473	924117	MICH
9241175	UNIVE	55223=	9218LUP	JN-MN	473473	9241175	UNIVE
9241256	EUCLD	415938	92190	MCCOR	455019!	9241256	EUCLD
9241256	GMC	415938	92191	MCCOR	417354!	9241256	GMC
9243	C-R	340787	92192	MCCOR	417493	9243	C-R
9243143	EUCLD	471341!	92193	MCCOR	417495	9243143	EUCLD
9243143	GMC	471341!	9219362	EUCLD	416158	9243143	GMC
9244	C-R	471015!	9219362	GMC	416158	9244	C-R
924432	CHRY	480630!	92194	MCCOR	327303!	924432	CHRY
9244604	EUCLD	416798=	92195	MCCOR	455858	9244604	EUCLD
9244604	GMC	416798=	92196	MCCOR	415379	9244604	GMC
924635	CHRY	5M544	92197	MCCOR	415379	924635	CHRY
925	CALI	416154!	92198	MCCOR	415379!	925	CALI
9250	CALI	416154!	92198	MCCOR	415379	9250	CALI
9251463	GMC	40389S	92199	MCCOR	45187S	9251463	GMC
925172R91	IH	370007A	9219LPD	JN-MN	471255!	925172R91	IH
925173R91	IH	370007A	9219LUP	JN-MN	471255!	925173R91	IH
925180	WILYS	8430S	922	SUL	416153!	925180	WILYS
92535	C-R	415219	92200	MCCOR	55646=	92535	C-R
92536	C-R	415219*	92201	MCCOR	6592S=	92536	C-R
92540	C-R	415219	922034R91	IH	471271!	92540	C-R
92541	C-R	415219	92204	MCCOR	455134	92541	C-R
92541	CHRY	470954	92205	AM WH	456105	92541	CHRY
92542	C-R	415219	92205	MCCOR	455194	92542	C-R
92542	WHITE	472394	92206	MCCOR	2055	92542	WHITE
92550	C-R	415219	92207XX	TIMKE	9X22X7	92550	C-R
92551	C-R	415219*	92208	MCCOR	370015A	92551	C-R
9255535	TERX	416394	92209	MCCOR	416891!	9255535	TERX
9256047	GMC	416100=	92210	MCCOR	415036	9256047	GMC
9256879	GMC	412871!	92211	MCCOR	7354N	9256879	GMC
92570	C-R	8996S=	92214	MCCOR	412920	92570	C-R
9257386	GMC	416257	922140	WILYS	254270	9257386	GMC
92574	C-R	8996S=	92216	MCCOR	7300S	92574	C-R
92607XX	TIMKE	9X26X7	92217	MCCOR	415379!	92607XX	TIMKE
9261	C-R	471571*	92218	MCCOR	455037	9261	C-R
926162	CHRY	471554!	92219	MCCOR	417513	926162	CHRY
92631	WHITE	416654!	92220	MCCOR	416888	92631	WHITE
92648	WHITE	450467	92221	MCCOR	416888	92648	WHITE
9266274	GMC	710015	92222</				

Zero Duplication or Recommended		Zero Duplication or Recommended		Zero Duplication or Recommended		Zero Duplication or Recommended					
Mfr. No.	Name Industrial	Mfr. No.	Name Industrial	Mfr. No.	Name Industrial	Mfr. No.	Name Industrial				
92680M1	C-R	417600	9302BJR	SPG	473228	9342SS	JN-MN	415035	93921	TMTR	473237!
92688	C-R	455475	9303	C-R	471571	934356	WILYS	416738!	939334	WILYS	410308!
9269316	GMC	710031	9304	C-R	471571	934356	WILYS	450096	939335	WILYS	410308!
927283	ALLCH	417474	9304	C-R	471571	9343SS	JN-MN	453182	9394LPD	JN-MN	471835!
927367	CHRY5	410308!	930428	ALLCH	476470	93441	WHITE	476470	9394LUP	JN-MN	471835!
9273LPD	JN-MN	471737*	930428	ALLCH	476470!	9344S	TIMKE	9344S	939558C91	IH	415938
9273LUP	JN-MN	471737	9304LUP	JN-MN	416239!	9345LPD	JN-MN	472397!	939570	NOK	112X140X13
92742	WHITE	472924!	930569C1	IH	417278	9345LUP	JN-MN	472397!	9395LPD	JN-MN	473236!*
9274473	GMC	417082	930570C1	IH	416039	9346	C-R	472951	9395LUP	JN-MN	473236!
9276	C-R	471571*	9305LPD	JN-MN	481397*	9346	C-R	474252	9396LPD	JN-MN	473462
927645	WILYS	340413	9305LUP	JN-MN	481397	9347	C-R	472951*	9396LUP	JN-MN	473462
9276A	C-R	472179	9306	C-R	471647*	9347	C-R	474252!	939734	AMC	416738!
9276LPD	JN-MN	471705!	93068	WHITE	418028	9348	C-R	472951	939734	AMC	450096
9276LUP	JN-MN	471705!	93068	WHITE	455137!	9348	C-R	474252	939734	WILYS	416738!
92774	WHITE	415960	9307	C-R	471647	934E	CALI	416892!	939734	WILYS	450096
927888	ALLCH	473212!	930836	ALLCH	450084!	934J	CALI	7354N	9397LPD	JN-MN	450472!*
927889	ALLCH	471763	930838	ALLCH	417278	93506	AMC	240151	9397LUP	JN-MN	450472!
927890	ALLCH	415023	93088	WHITE	418028	93515R91	IH	473238	9398LPD	JN-MN	473243*
92794	WHITE	415960	93088	WHITE	455137!	93516R91	IH	470059	9398LUP	JN-MN	473243
927946	ALLCH	473016!	93095	WHITE	471159	93516R91	IH	470380!	9399A	C-R	417621=
927947	ALLCH	471424!	931030	ALLCH	471341!	93517R91	IH	470530!	9399LPD	JN-MN	417349
927948	ALLCH	417349	93103001	ALLCH	471341!	93518	AMC	474278!	9399LUP	JN-MN	417349
927965C1	IH	416888	931031	ALLCH	473423	93518R91	IH	411253!	93FF-6700-AA	FORD	712103
92805801	ALLCH	417247!	93103101	ALLCH	473423	9351LPD	JN-MN	417780	93X214	GARLK	471267!
928114	CHRY5	6127	931041	ALLCH	481181!	9351LUP	JN-MN	417780	93X6113	GARLK	1049
928118	MICH	55224=	9310S	MINNM	470530!	9356	EATON	417344!	93X6169	GARLK	471652
9281187	UNIVE	55224=	93113	REULD	474255	9356	TRUK	417344!	93X6171	GARLK	471692!
928283	ALLCH	472826!	93115	REULD	4714131	935612	WILYS	8676S	93X8887	GARLK	471413!
9283	C-R	471571*	93117	REULD	471835!	935735	EATON	712625	93ZT-3K169-A9A	FORD	710443
928436	ALLCH	415854	93118	REULD	473224!	935797R91	IH	200885	93ZT-3K169-A9B	FORD	710443
9284365	ALLCH	415854	93123	REULD	471141!	935869R92	IH	472185!	94001-0014	WHITE	370001A
92846201	ALLCH	487056=	931483	ALLCH	416282	9360LPD	JN-MN	417598*	94001-0015	WHITE	370006A
928499	ALLCH	473211=	9314831	ALLCH	416282	9360LUP	JN-MN	417598	94001-0016	WHITE	386025A
9286RRR	SPG	6808N	931484	ALLCH	416664!	9361LPD	JN-MN	416158	94001-0016	WHITE	416158
928704	CHRY5	415449!	9315031	ALLCH	472065=	9361LUP	JN-MN	416158	94001-0017	WHITE	370023A
928813	ALLCH	481901=	931504	ALLCH	472324!	9362	C-R	472951	94001-0017	WHITE	370001A
928831	ALLCH	415150!	9316	TIMKE	9316	9362	C-R	474252	94001-0017	WHITE	370003A
928854	ALLCH	470774!	9316171	ALLCH	471835!	93625	SELAS	4148	94001-0017	WHITE	386025A
928855	ALLCH	415458!	931634	AMC	471504	9363	C-R	472951	94001-0017	WHITE	416158
92894	CATER	J1123	931856	ALLCH	417316=	9363	C-R	474252	94001-0018	WHITE	370003A
92894	TMTR	J1123	9318A	C-R	417267	9363LPD	JN-MN	470606!	94001-0018	WHITE	370048A
92895	CATER	412473!	9319LPD	JN-MN	416271!	9363LUP	JN-MN	470606!	94001-0018	WHITE	380048A
92895	TMTR	412473!	9319LUP	JN-MN	416271!	9363S	TIMKE	9363S	940010003	WHITE	370121A
928M6700B2A	FORD	3771	93203	AM WH	416654!	9368LPD	JN-MN	417351!	940010004	WHITE	370001A
928M6701B2A	FORD	3772	93229	WHITE	455151	9368LUP	JN-MN	417351!	940010006	WHITE	386025A
9290	C-R	471571	9323	C-R	471647*	9371	C-R	472951	940010006	WHITE	416158
9290LPD	JN-MN	415327	93233	CINMI	471689*	9371	C-R	474252	940010007	WHITE	370120A
9291	C-R	471571	93234	CINMI	471570!	9372	C-R	472951	940010010	WHITE	370001A
929230	ALLCH	450463	93235	CINMI	471192	9372	C-R	474252	940010011	WHITE	370006A
9292LPD	JN-MN	416657	93236	CINMI	471766!	9374LPD	JN-MN	417073*	940010013	WHITE	370006A
929332	ALLCH	472018=	932407	WILYS	410308!	9374LUP	JN-MN	417073	940010019	WHITE	370003A
929462	ALLCH	204013	932503	ALLCH	335924N	93750	C-R	415871	940010022	WHITE	370003A
9298	C-R	471571	93279	CHRY5	410308!	93751	C-R	415871*	940010028	WHITE	370003A
92999	C-R	470954!	9327A	C-R	470334!	93756	C-R	415871	94001006	WHITE	386025A
92TM6701A1A	FORD	473573	932887	ALLCH	442380	9376	TIMKE	9376	94001006	WHITE	416158
92TM6701A2A	FORD	473573	932892	ALLCH	443527* =	9377	CHAMP	341022	940013602	WHITE	370005A
92X12013XX	TIMKE	92X120X13	932976	ALLCH	473441	93801	CATER	J1137 =	9400LPD	JN-MN	417273*
92X120X13	SIMRT	92X120X13	9330	C-R	471647	938031	AMC	482267	9400LUP	JN-MN	417273
92X120X13SC	TRSCM	92X120X13	933062	ALLCH	470898*	938031	WILYS	482267	9401LPD	JN-MN	417780*
92X120X13TC	TRSCM	92X120X13	9331	C-R	471647	938151	AMC	8430S	9401LUP	JN-MN	417780
92X213	GARLK	471267!	933118	ALLCH	473212!	938151	AMGEN	8430S	94020129	GMC	474133
92X6100	GARLK	471760	93333R91	IH	418028	938151	WILYS	8430S	94020130	GMC	1987
92X6113	GARLK	1049	933349	ALLCH	417621!	93823	CATER	471737	94020131	GMC	1990
92X6169	GARLK	471652	93336R91	IH	415991!	93823	TMTR	471737	94020258	GMC	1949
92X7518	GARLK	471766!	93336R91	IH	415991	93824	CATER	416557	94020262	GMC	225020
92X7521	GARLK	6668S	933645	ALLCH	470565!	9387	C-R	472951	94020262	GMC	50X68X8!
92X9502	GARLK	6863S!	9339	C-R	471647	9387	C-R	474252	94021237	GMC	473812
92X9509	GARLK	471264!	9339LPD	JN-MN	471643!	938728	C-R	455121	94021238	GMC	473179!
92X9515	GARLK	471267!	9339LUP	JN-MN	471643!	938728M1	C-R	455121	94022595	GMC	1945
92X9528	GARLK	6668S	9339S	TIMKE	9339S	938963C1	IH	417254	94022595	GMC	228480
92X9530	GARLK	472213	934	CALI	415036	938964C1	IH	415551	94024633	GMC	1990
93020	GROVE	416891!	934023TD0	SPG	934023	93921	CATER	473237!	94025810	GMC	710440

! Industrial Size/Type * Minor Width Difference = Call 1-800-480-1212 for price and delivery.

Zero Duplication or Recommended		Zero Duplication or Recommended		Zero Duplication or Recommended		Zero Duplication or Recommended					
Mfr. No.	Name	Mfr. No.	Name	Mfr. No.	Name	Mfr. No.	Name				
94026324	GMC	1945	941664	WILYS	482208!	944030	UNIT	415483!	9483LPD	JN-MN	473228!
94026324	GMC	228480	9418LPD	JN-MN	415425	944031	UNIT	415960!	9483LUP	JN-MN	473228
94027655	GMC	710201	941907R1	IH	6403=	944033	UNIT	470898!	94840006	GMC	1987
940276555	GMC	710057	94214912	GMC	224025	944035	UNIT	471649!	94840023	GMC	227045
94027751	GMC	413818	94214913	GMC	710060	944037	UNIT	476470	94840076	GMC	223235
94028351	GMC	224045	94215220	GMC	1981	944038	UNIT	415449!	94840381	GMC	1180
94029129	GMC	710167	94216107	GMC	1174	94403D	UNIT	415483!	94840381	GMC	41X55X7!
94029584	GMC	222860	94216107	GMC	710309	94404	UNIT	417349	94840436	GMC	710156
9402LPD	JN-MN	415034!	9421LPD	JN-MN	450398	944041	UNIT	416891!	94840471	GMC	710154
9402LUP	JN-MN	415034!	9421LPD	JN-MN	471267!	944044	UNIT	455194	94840476	GMC	710155
94030585	GMC	712005	9421LUP	JN-MN	450398	94405	UNIT	472319	94840505	GMC	221510
94034121	GMC	710087	9421LUP	JN-MN	471267!	944050	UNIT	415991	94840623	GMC	320603
94034122	GMC	710085	9422 FULLE		417316!	944050	UNIT	455146!	94840624	GMC	710110
94034131	GMC	710088	94223026	GMC	1987	944051	UNIT	415995!	94840652	GMC	223831
94039516	GMC	710086	94224713	GMC	1949	944052	UNIT	415023	94840654	GMC	5696
94043754	GMC	710080	9422LPD	JN-MN	415991	944059	UNIT	415645!	94840770	GMC	1015N
94047451	GMC	710090	9422LPD	JN-MN	455146!	944059	UNIT	455104	94840869	GMC	221207
94047499	GMC	710084	9422LUP	JN-MN	415991	94406	UNIT	473215!	94841023	GMC	710110
94049996	GMC	710089	9422LUP	JN-MN	455146!	944060	UNIT	417539!	94841823	GMC	320603
94051420	GMC	3476	94238096	GMC	470380!	944061	UNIT	415294!	94843040	GM	422
94054640	GMC	710090	94238096	GMC	472189A!	944064	UNIT	415551	94843981	GMC	1180
940555	AMC	472560N	9423LPD	JN-MN	471795	94407	UNIT	415034!	94843981	GMC	41X55X7!
94055826	GMC	710350	9423LUP	JN-MN	471795	944070	UNIT	450400	94845317	GMC	1180
94057307	GMC	710084	94240603	GMC	710167	94407711	GMC	710168	94846026	GMC	710110
94057308	GMC	710089	94240929	GMC	222220	944078	UNIT	455203	94846072	GMC	710109
94061761	GMC	710088	94248117	GMC	474230	94408	UNIT	473439!	94846345	GMC	4898
94068R91	IH	340413	94249521	GMC	222835	944080	UNIT	417539!	94847440	GMC	5696
94069R91	IH	340787	94249521	GMC	28X44X61	94408083	GMC	710268	94847441	GMC	1993
9406S	TIMKE	9406S	94251171	GMC	1217	944081	UNIT	417603!	94850395	GMC	223235
94070R91	IH	472311!	94253509	GMC	3667	944084	UNIT	470898	94850807	GMC	1987
94071R91	IH	240151	94257	CHRY	9376	94409	UNIT	417514	94851798	GMC	227045
94072R91	IH	240356	94258894	GMC	710377	9441	FULLE	450084!	94851892	GMC	710109
94073R91	IH	323138!	9425SS	JN-MN	416892!*	944102	UNIT	470954!	94851936	GMC	5696
94074R91	IH	474276!	942635	CLARK	471526!	94411	UNIT	417601	94851937	GMC	4898
94075R91	IH	450400	94267	CHRY	7188S	944112	UNIT	450965	94852835	GMC	222630
94076R91	IH	340413	9427S	SPG	6592S=	944116	UNIT	416865!	94854705	GM	35292
94076R92	IH	340413	9428 FULLE		417316!	94412	UNIT	416888!	94854723	GMC	710412
94077R91	IH	340787	942901	AMC	9344S	944125	UNIT	417541	94856492	GMC	5696
94078R91	IH	240414	942901	WILYS	9344S	944128	UNIT	200110	948609	AMC	416738!
94079R91	IH	472560N	94294413	BUC-E	416167!	94413	UNIT	416339	948609	WILYS	416738!
9408	C-R	450039	94326441	GMC	1990	94413	UNIT	455031!	9487	TIMKE	9487
94080R91	IH	240356	94327062	GMC	1981	944130	UNIT	417191	9488LPD	JN-MN	416921!
94081R91	IH	6597S	94327063	GMC	228700	944130	UNIT	455165!	9488LUP	JN-MN	416921!
94082R91	IH	474276!	94334860	GMC	223220	944131	UNIT	455194	9495C	DIA	410737!
94083R91	IH	450400	94336316	GMC	710080	94414	UNIT	417602!	9495CX	DIA	410737!
9409	C-R	450039*	94339	CHRY	353135	94443	CHRY	471827	94RU-1123	MACK	730149
94099457	GMC	710085	94339	CHRY	474278!	94450127	GMC	1012N	94RU-19309	MACK	730004
9409LPD	JN-MN	413247!	943661	AMC	475384	94459593	GMC	710098	94RU-262	MACK	730003
9409LUP	JN-MN	413247!	94367958	GMC	710080	9445LPD	JN-MN	471821!	94RU-263	MACK	733067
94101493	GMC	710081	94367960	GMC	710081	9445LUP	JN-MN	471821!	94RU-263P1	MACK	733067
94108633	GMC	710098	943710	AMC	416282	9445S	SPG	9449	94RU-263P2	MACK	730149
94108663	GMC	225010	943710	WILYS	416282	94464555	GMC	710192	94RU-264	MACK	730006
9410LPD	JN-MN	415027!	94373765	GMC	710390	94475250	GMC	1953	94RU-265	MACK	730005
9410LPD	JN-MN	415027	94379067	GMC	222835	94482157	GMC	224052	94RU-266	MACK	730019
9410LUP	JN-MN	415027!	94380745	GMC	221620	9449	TIMKE	9449	94RU-267	MACK	730006
9410LUP	JN-MN	415027	94380745	GMC	221720	94495	C-R	240X270X15!	94RU-278	MACK	730026
9411	C-R	222430	94383	AM WH	472636!	94495	C-R	240X270X16!	94TM-6701-A1A	FORD	473573
94111750	GMC	228480	94397	AM WH	471255!	9450	C-R	450039	94X215	GARLK	471570!
9411750	GMC	228480	94399R91	IH	415085!	9450	FULLE	412119!	94X287	GARLK	471224!
94124173	GMC	223220	94399R91	IH	456648	9452LPD	JN-MN	412871!	94X359	GARLK	471763
94129884	GMC	228700	94400	UNIT	456105	9454LPD	JN-MN	473225!	94X4600	GARLK	474256
941322	CLARK	40067S=	94401	UNIT	415035	9454LUP	JN-MN	473225!	94X5051	GARLK	471276
94140686	GMC	710078	94401	UNIT	415035!	945702	AMC	40769S	94X6176	GARLK	473259
94144455	GMC	221735	944015	UNIT	472636!	945710	AMC	9316	94X6282	GARLK	476511=
94144614	GMC	1174	94402	UNIT	472157!	9460LPD	JN-MN	471692!	94X6329	GARLK	476519=
94144614	GMC	38X52X8.5!	94402	UNIT	472157	9460LUP	JN-MN	471692!	94X6486	GARLK	476510=
94145906	GMC	710243	944024	UNIT	471466!	9464A	C-R	471255!	94X6557	GARLK	471379
94146205	GMC	1012N	944026	UNIT	471570!	94658170	GMC	710237	94X6639	GARLK	473197
9415C	DIA	470565!	944027	UNIT	415001!	9465A	C-R	471255!	94X6738	GARLK	472239
9415LPD	JN-MN	471267!	944028	UNIT	450639	94660	C-R	710800	94X7033	GARLK	470954!
9415LUP	JN-MN	471267!	944029	UNIT	415295	947RC	SUL	471649!	94X7198	GARLK	472237=
941664	WILYS	471652	94403	UNIT	450279	94804	CHRY	7412S	94X760	GARLK	473231!

! Industrial Size/Type * Minor Width Difference = Call 1-800-480-1212 for price and delivery.

NUMERICAL

Zero Duplication or Recommended		Zero Duplication or Recommended		Zero Duplication or Recommended		Zero Duplication or Recommended					
Mfr. No.	Name Industrial	Mfr. No.	Name Industrial	Mfr. No.	Name Industrial	Mfr. No.	Name Industrial				
94X8005	GARLK	476512	95080	C-R	417601	953040	CLARK	473438	95836	SPG	415995!
94X89	GARLK	471264!	95080	MCCOR	415725!	953043	CLARK	450084!	95836	SPG	415995!
94X96	GARLK	471612	95080M1	C-R	417601	953044	CLARK	473460	9584	NATL	370047A
9500	C-R	222410	95081	C-R	9555S	953045	CLARK	415302	9584	TIMKE	9584
9500	C-R	24X35X7!	95081	MCCOR	416163	953046	CLARK	416921!	9587LPD	JN-MN	416125!
95003	MCCOR	417278	95082	MCCOR	6635S	953047	CLARK	417539!	9587LUP	JN-MN	416125!
95005	MCCOR	417537	95084	MCCOR	6643S	953048	CLARK	415551	958A4	WHITE	408
95006	MCCOR	415041	95086	MCCOR	417252	953053	CLARK	470050	9590LPD	JN-MN	415060
95006	SPG	417344!	95087	MCCOR	75251S	95307	AM WH	415449!	9590LPD	JN-MN	455060
95011	MCCOR	370036A	95089	MCCOR	415060	9530LPD	JN-MN	415725!	9590LUP	JN-MN	415060
95012	MCCOR	417516	95089	MCCOR	455060	9530LUP	JN-MN	415725!	9590LUP	JN-MN	455060
95013	MCCOR	417223	9508A	C-R	7208S	9533	C-R	24X42X7	9591LPD	JN-MN	455612=
95019	MCCOR	415351!	95090	MCCOR	417548	95357	EATON	370023A	9591LUP	JN-MN	455612=
9502	C-R	24X36X7V	95091	MCCOR	415064	9537	FULLE	240733	959308R1	IH	6590S
95022	MCCOR	5M544	95094	MCCOR	416892	9540	C-R	24X45X8	959308R91	IH	6590S
95023	MCCOR	416865!	95094	SPG	416444	95401	SPG	416666	9596LPD	JN-MN	473241
95024	MCCOR	417514	95095	MCCOR	6872S	954014TX	SPG	954014T	9598	FULLE	474276!
95025	MCCOR	415045!	95096	MCCOR	417254	9541LPD	JN-MN	455151	9599S	TIMKE	9599S
95026	MCCOR	416892!	95098	MCCOR	417509	9541LUP	JN-MN	455151	95X11010XX	TIMKE	95X110X10
95028	MCCOR	415138!	95099	MCCOR	455290	9541RRR	SPG	7457N	95X110X10SC	TRSCM	95X110X10
95029	MCCOR	415058	95100	AM WH	471652	954216TD	SPG	954216T	95X110X10TC	TRSCM	95X110X10
95030	MCCOR	417238	95102	MCCOR	415284	9542LPD	JN-MN	455022*	95X11512XX	TIMKE	95X115X12
95031	MCCOR	415060	95103	MCCOR	370005A	9542LUP	JN-MN	455022	95X115X12	SIMRT	95X115X12
95031	MCCOR	455060	95104	MCCOR	455956H	9543LPD	JN-MN	416654!	95X115X12SC	TRSCM	95X115X12
95032	MCCOR	415066	95105	MCCOR	5487	9543LUP	JN-MN	416654!	95X115X12TC	TRSCM	95X115X12
95033	MCCOR	456890	95106	MCCOR	355200	9545LPD	JN-MN	417238	95X12012XX	TIMKE	95X120X12
95034	MCCOR	417269!	95106	MCCOR	416888!	9545LUP	JN-MN	417238	95X120X12SC	TRSCM	95X120X12
95035	MCCOR	417273	95107	MCCOR	416865	954631	SPICE	417356!	95X120X12TC	TRSCM	95X120X12
95036	MCCOR	416865!	9510LPD	JN-MN	415034!	954631	SPICE	455188	95X12512XX	TIMKE	95X125X12
95037	MCCOR	417546!	9510LUP	JN-MN	415034!	9546LPD	JN-MN	470565!*	95X125X12	SIMRT	95X125X12
95038	MCCOR	416167!	95111	MCCOR	417520	9546LUP	JN-MN	470565!	95X125X12SC	TRSCM	95X125X12
95039	MCCOR	415645!	9511513B	HARWA	95X115X12	9547LPD	JN-MN	476470	95X125X12TC	TRSCM	95X125X12
95039	MCCOR	455104	95118	MCCOR	7866S	9547LUP	JN-MN	476470	95X13012XX	TIMKE	95X130X12
9503SS	JN-MN	471535!*	9511LPD	JN-MN	472475*	9548LPD	JN-MN	417362!	95X130X12SC	TRSCM	95X130X12!
9504	C-R	24X37X8	9511LUP	JN-MN	472475	9548LUP	JN-MN	417362!	95X130X12TC	TRSCM	95X130X12!
95040	MCCOR	416154!	9512512B	HARWA	95X125X12	9550	C-R	24X46X8	9600LPD	JN-MN	417273*
95041	MCCOR	417539!	9512512C	HARWA	95X125X12	9550LPD	JN-MN	472439*	9600LUP	JN-MN	417273
95042	MCCOR	416153!	9512513B	HARWA	95X125X12	9550LUP	JN-MN	472439	9600S	TIMKE	9600S
95043	MCCOR	417538	951292	CLARK	473473	955497R91	IH	455079!	96014416	GMC	3459
95045	MCCOR	415371	951296	WILYS	340771	955498R91	IH	473463	96014877	GMC	223540
95045S	MCCOR	415371	9512LPD	JN-MN	455026*	95557R91	IH	470565!	96040460	GMC	223540
95046	MCCOR	415284	9512LUP	JN-MN	455026	9555S	TIMKE	9555S	96040528	GMC	8792S
95047	MCCOR	455402=	9514	C-R	222430	9556SSR	SPG	473234	96040762	GMC	710343
95048	MCCOR	417262!	95147	SPG	415449!	955776R1	IH	450400	960414R91	IH	6222
9505	C-R	24X38X7	9514LPD	JN-MN	415683	9558	C-R	24X47X7	96051409	GMC	222030
95050	C-R	417606	9514LUP	JN-MN	415683	9558LPD	JN-MN	471763	96051418	GMC	221510
95052	MCCOR	5M497	9515	C-R	222430	9558LUP	JN-MN	471763	96051419	GMC	222030
95052	OLIVE	471649!	9515	C-R	24X40X7!	955A4	WHITE	408	96051420	GMC	710310
95054	MCCOR	415047	9516	NATL	8705S	9560	C-R	24X47X7	96051421	GMC	710310
95056	MCCOR	417267	951644	BR-ST	471649!	95612	CHRY	410308!	96051422	GMC	35X62X7!
95057	MCCOR	45637S	9517	C-R	24X40X6V	95612	CHRY	473468	96051423	GMC	224462
95059N	MCCOR	415213N	95177	SPG	415379	9565	HYST	415027!	96051423	GMC	44X62X8!
95060	C-R	417606*	9520LPD	JN-MN	471760*	9565	HYST	415027	96051424	GMC	710334
95060	MCCOR	417525	9520LUP	JN-MN	471760	956666	CHRY	410102	96053884	GMC	223830
95061	MCCOR	417247!	9521	C-R	222430	9568	TIMKE	9568	96054039	GMC	223540
95062	C-R	417606	95216	WHITE	417487	9569LPD	JN-MN	471466!	96054039	GMC	35X55X11!
95062	MCCOR	417507!	95223	OLIVE	345214=	9569LUP	JN-MN	471466!	9605414	GMC	710116
95062	MCCOR	417507	95226	CHRY	471341!	9569S	TIMKE	9569S	96054141	GMC	221207
95063	MCCOR	456618	9523LPD	JN-MN	415021	9570	C-R	24X48X8	96054427	GMC	224462
95064	MCCOR	415043	9523LUP	JN-MN	415021	957160TD0	SPG	39821	96055290	GMC	710175
95065	MCCOR	55367=	952742	WAUKE	471787!	9575	C-R	24X50X8	96057738	GMC	224820
95066	MCCOR	455614	95294413	BUC-E	415001!	957522R91	IH	412027	96057740	GMC	223553
95068	MCCOR	417541	9530	C-R	24X42X8	9577A	C-R	415187	96057741	GMC	710523
95069	MCCOR	416070	953019R1	IH	470380!	957905	CHRY	417351!	96057742	GMC	1213N
95070	MCCOR	415371	953024	CLARK	470898!	957E1190A	FORD	7381S	96057743	GMC	710239
95070	SPG	416865!	953029	CLARK	471785!	957E4233A	FORD	472492!	96057745	GMC	710193
95071	MCCOR	415284	953030	CLARK	471354!	957E4250A	FORD	470898	96057746	GMC	710256
95075	MCCOR	415284	953032	CLARK	450165	9580	C-R	24X52X7	96057747	GMC	710240
95076	MCCOR	455251H	953032	CLARK	471801!	9581	HYST	473444!	96057748	GMC	710255
95076S	MCCOR	455251H	953035	CLARK	471341!	9581156TA	TRSCM	417606	96059641	GMC	222580
95077	MCCOR	417518	953038	CLARK	415001!	95823R91	IH	470898	96059653	GMC	223540
95079	MCCOR	416158	953039	CLARK	473225!	95827	CHRY	482163!	96059934	GMC	4904

! Industrial Size/Type * Minor Width Difference = Call 1-800-480-1212 for price and delivery.

Zero Duplication or Recommended			Zero Duplication or Recommended			Zero Duplication or Recommended			Zero Duplication or Recommended		
Mfr. No.	Name	Industrial	Mfr. No.	Name	Industrial	Mfr. No.	Name	Industrial	Mfr. No.	Name	Industrial
96061234	GMC	710523	9654LPD	JN-MN	416476!	97009	CHRY5	410059	9710	C-R	25X36X7
96061932	GMC	223552	9654LUP	JN-MN	416476!	97009	CHRY5	470380!	971086R91	IH	8635S
96063564	GMC	221730	9656	C-R	471648	97009	MCCOR	416107!	9710LPD	JN-MN	470334!*
96065634	GMC	710334	96569	CHRY5	7300S	97009	MCCOR	455073	9710LUP	JN-MN	470334!
96066239	GMC	221730	965744	CHRY5	471689!	9701	C-R	222535	9711	C-R	25X35X7V
96066441	GMC	223552	9661	C-R	471648	97010	MCCOR	416239!	9711H	MINNM	470712
96066450	GMC	1213N	9661LPD	JN-MN	416865!	97011	MCCOR	417556	9712	C-R	25X42X10!
96066451	GMC	710286	9661LUP	JN-MN	416865!	97012	MCCOR	417563	9714	C-R	25X37X7*
9606816980	CHRY5	224253	966238M1	MASSE	8020S	97013	MCCOR	417298	9714LPD	JN-MN	350974!
96068274	GMC	710310	9662LPD	JN-MN	416339	97014	MCCOR	415116	9715	C-R	320603
96069122	GMC	4904	9662LPD	JN-MN	455031!	97015	MCCOR	415551	9715LPD	JN-MN	415259!
9608	CLARK	415458!	9662LUP	JN-MN	416339	97016	MCCOR	455297	9715LUP	JN-MN	415259!
96101489	GMC	710399	9662LUP	JN-MN	455031!	97017	MCCOR	55316=	9716	C-R	25X37X5V
96101490	GMC	223606	9663	C-R	8059S	97017350	GMC	1990	9717	C-R	712007
96101490M	GMC	710399	9663LPD	JN-MN	417509*	97019	MCCOR	455375=	9717	EATON	350942
9611	C-R	481572V=	9663LUP	JN-MN	417509	97020	MCCOR	415447	9720	FULLE	350942
961125	BENDI	455310	9664	C-R	8059S	97023976	GMC	710081	9718	C-R	25X37X7!
9613	C-R	451583!	966446R91	IH	415458	97023977	GMC	710080	9718	C-R	320603
9613S	TIMKE	9613S	9664LPD	JN-MN	416154!	97024	MCCOR	415072	9719A	C-R	450415
9613S00	SPG	9613S	9664LUP	JN-MN	416154!	97025	MCCOR	457874	9720	C-R	222535
9618	C-R	451583!*	9666	C-R	471688*	97025798	GMC	710194	9720	C-R	25X38X7!
9619	C-R	451583!*	9667	C-R	471688	97026	MCCOR	417600	9721	C-R	25X38X7V
962061	CHRY5	416273!	96688	CHRY5	471271!	97027	MCCOR	417601	9722A	C-R	476470
9622	C-R	6324S=	9670	C-R	471688*	97028	MCCOR	415090	9722H	MINNM	455189
962228	CHRY5	473464	96713	WHITE	473228	97029	MCCOR	415124	9723	C-R	222535
962228	CHRY5	473464!	96719	WHITE	5MR71	97029260	GMC	3543	972401R91	IH	370023A
962229	CHRY5	480281!	967228R91	IH	415995!	9702C	DIA	473203	972408R91	IH	412473!
96245	C-R	55222=	96733	CHRY5	470380!	9703	C-R	25X40X7V	972424R91	IH	417487!
96246HX	IH	7107A=	9674	C-R	471688	97031	MCCOR	417020	972424R91	IH	417487
962475	CHRY5	471645	9675	C-R	471688	97031954	GMC	710114	9725	C-R	222540
9625	C-R	451583!	9675S	SPG	332062	97035	MCCOR	6245S=	9725	C-R	25X40X7!
96250	C-R	55222=	967610R91	IH	415449	97036	MCCOR	416394	9727	C-R	222540
96251	C-R	55222=	96783	WHITE	471689!	97037	MCCOR	415938	9727	C-R	25X40X7V!
9625LPD	JN-MN	471652	9679	C-R	471689	97038	MCCOR	55532=	9728	C-R	25X42X6*
9625LUP	JN-MN	471652	9680	C-R	450040	97039	MCCOR	455584	9728	C-R	25X42X8!
9626LPD	JN-MN	472144!	9681	C-R	450040*	97040	MCCOR	417555!	97281	HYST	450593!
9626LUP	JN-MN	472144!	968190-R1	IH	730003	97041	MCCOR	416239!	9729	C-R	222556
96290	C-R	416381	968191-R92	IH	HU036A	97042	MCCOR	417602!	9729	C-R	25X42X7V!
962919A	SPG	415001	9682	C-R	482309	97045	MCCOR	417602!	9729LPD	JN-MN	415379!
96294413	BUC-E	415047	96823R91	IH	470898	97048	MCCOR	6649	9729LPD	JN-MN	415379
9629LPD	JN-MN	415725!*	9683	C-R	450040	97049	MCCOR	455583N!	9729LUP	JN-MN	415379
9629LUP	JN-MN	415725!	9686LPD	JN-MN	412920!	9705	C-R	222510	9729LUP	JN-MN	415379!
963	PORTR	415090	9686LUP	JN-MN	412920!	9705	C-R	25X35X7V!	972E-13	CLARK	472924!
9630	C-R	471224	9687	C-R	451082	97050	MCCOR	455121	972E-14	CLARK	415458!
9630LPD	JN-MN	481834	9688	C-R	482310	97051	MCCOR	417596	972E-16	CLARK	470530!
9634LPD	JN-MN	471466!	9688LPD	JN-MN	470625!	97051954	GMC	710114	972E-19	CLARK	40627S=
9634LUP	JN-MN	471466!	9688LUP	JN-MN	470625!	97053	MCCOR	455117	972E-21	CLARK	473464!
9635	C-R	471224	968908R91	IH	415984!	97054	MCCOR	417604	972E-21	CLARK	473464
96350161	GMC	223606	968939R91	IH	473229	97055	MCCOR	415871	972E-22	CLARK	472439
9636LUP	JN-MN	473232!	9690	C-R	450339	97057	MCCOR	416364!	972E-23	CLARK	473228
964030R91	IH	203025	969022	TRW	5690	97058	MCCOR	415077	972E-24	CLARK	45187S
964144TC	SPG	471689	9694SS	JN-MN	473238!	97059	MCCOR	417549!	972E-27	CLARK	471766!
9643	C-R	450545*	9695	C-R	222510*	9705LPD	JN-MN	417223	972E-33	CLARK	473228
9643	GARLK	340835	9698	CHAMP	471689!	9705LUP	JN-MN	417223	972E-6	CLARK	415458!
9643LPD	JN-MN	480630!	9698	DOMIN	471689!	9706	C-R	25X35X7V!	972E15	CLARK	473232!
9643LUP	JN-MN	480630!	96BM-6700-A6B	FORD	712141	9706	C-R	712007	972E17	CLARK	450129
964461M1	CHRY5	450343	96BM-6701-A6B	FORD	712142	97060	MCCOR	455480!	972E17	CLARK	472826!
9645	C-R	471648*	96GX212	JOY	415034!	97061	MCCOR	55692=	972E18	CLARK	470682
9646	C-R	471648	96X7033	GARLK	470954!	97062	MCCOR	6897=	972E31	CLARK	473234
964871M1	CHRY5	472185!	97-294413	BUC-E	415001!	97063	MCCOR	7006S	9730	C-R	25X42X10!*
964874M1	CHRY5	471766!	97-463-39	DANA	415035	97064	MCCOR	415867	9730	C-R	25X42X8!
9649LPD	JN-MN	415142	9700	C-R	712018	97065	MCCOR	455583N!	9731	C-R	25X45X8
9649LUP	JN-MN	415142	97000	MCCOR	416476!	97066	MCCOR	417597	9732	C-R	222540
9650LPD	JN-MN	471785!	97001	CHRY5	410059	97067	MCCOR	8996S=	9732	C-R	25X40X7!
9650LUP	JN-MN	471785!	97001	CHRY5	470380!	97069	HYST	413246	9732LPD	JN-MN	417316!
9651	C-R	471648*	97001	MCCOR	416229	97072405	GMC	3543	9732LUP	JN-MN	417316!
9651LUP	JN-MN	470954!	97002	MCCOR	416229	9707LPD	JN-MN	455356	9733	C-R	25X40X7*
9652LPD	JN-MN	470530!	97003	MCCOR	416666	9707LUP	JN-MN	455356	9733	C-R	710316
9652LUP	JN-MN	470530!	97006	MCCOR	5M466	9708	C-R	222510	9733LPD	JN-MN	471276
965326	CHRY5	471647	97007	MCCOR	476470	9708	C-R	25X35X7!	9733LUP	JN-MN	471276
9653LPD	JN-MN	472924!	97007S	MCCOR	476470	9709	C-R	222510	9734	C-R	25X45X8*
9653LUP	JN-MN	472924!	97008	MCCOR	415072	9709	C-R	712007	9735	C-R	25X45X8

! Industrial Size/Type * Minor Width Difference = Call 1-800-480-1212 for price and delivery.

NUMERICAL

Zero Duplication or Recommended Industrial		Zero Duplication or Recommended Industrial		Zero Duplication or Recommended Industrial		Zero Duplication or Recommended Industrial	
Mfr. No.	Name	Mfr. No.	Name	Mfr. No.	Name	Mfr. No.	Name
9736 C-R	25X42X10	97540 MCCOR	5495	9797LPD JN-MN	417269!	97GX151 JOY	450033
9736LPD JN-MN	471424!	97541 MCCOR	5472=	9797LUP JN-MN	417269!	97GX152 JOY	450033
9736LUP JN-MN	471424!	97542 MCCOR	5499=	9799LPD JN-MN	471504!	97GX153 JOY	411253!
97370 BENDI	471255!	97543 C-R	55078S	9799LUP JN-MN	471504!	97GX154 JOY	412920!
97371 BENDI	471442!	97544 MCCOR	370003A	97GK179 JOY	417485	97GX155 JOY	455136
9738 C-R	25X42X6	97545 C-R	55078S*	97GK29 JOY	415645!	97GX156 JOY	411376!
9739 C-R	25X45X8	97546 MCCOR	417506	97GK29 JOY	455104	97GX157 JOY	410737!
9740 C-R	25X46X7	97547 C-R	55223=	97GK32 JOY	473313	97GX158 JOY	410694!
9742 C-R	25X42X8	97547 MCCOR	5320=	97GK33 JOY	415007	97GX159 JOY	411394!
97423 CHRYS	481181!	9755 C-R	25X50X10*	97GK4 JOY	416666	97GX16 JOY	471766!
9742A C-R	415035!	9755 C-R	25X50X8!	97GT-7052AA FORD	2655	97GX163 JOY	413247!
9742A C-R	415035	97550 C-R	55223=	97GX1 JOY	417563	97GX164 JOY	412119!
9743LPD JN-MN	471231!	9755A C-R	417316!	97GX10 JOY	415058	97GX165 JOY	416271!
9743LUP JN-MN	471231!	9756 C-R	25X50X10	97GX100 JOY	471736	97GX166 JOY	417073
97448 CHRYS	9376	9758 C-R	25X52X7	97GX101 JOY	471750!	97GX167 JOY	411245!
97449 CHRYS	9487	9760 C-R	25X52X7!	97GX102 JOY	471192	97GX17 JOY	415074
9744LPD JN-MN	451583!	9761 C-R	25X52X7V	97GX103 JOY	473214	97GX171 JOY	470605!
9744LUP JN-MN	451583!	9762 C-R	25X52X10	97GX104 JOY	473214	97GX172 JOY	470605!
9745 C-R	25X47X7	9762LPD JN-MN	455178=	97GX105 JOY	470950!	97GX173 JOY	415449!
974526R91 IH	5471	9762LUP JN-MN	455178=	97GX105 JOY	6241S	97GX174 JOY	455079!
97461R91 IH	417316!	9763 C-R	25X52X7	97GX106 JOY	471820	97GX175 JOY	415082
974631 SPICE	472015!	9764 C-R	25X52X8	97GX107 JOY	470625!	97GX177 JOY	415988
974632 SPICE	472015	9764A C-R	416125!	97GX108 JOY	470625!	97GX178 JOY	415302
9746326 SPICE	415995!	9764LPD JN-MN	417211!*	97GX109 JOY	470059	97GX179 JOY	417485
9746332 SPICE	472015	9764LUP JN-MN	417211!	97GX109 JOY	470380!	97GX18 JOY	416339
9746333 SPICE	3893V!	9765 C-R	25X54X8	97GX11 JOY	417487	97GX18 JOY	455031!
9746333 SPICE	415379!	9766 C-R	25X50X10	97GX110 JOY	470059	97GX180 JOY	455005
9747 C-R	222560	9767 C-R	25X45X8	97GX110 JOY	470380!	97GX181 JOY	417344!
9747 C-R	25X47X7!	9770 C-R	25X55X8	97GX111 JOY	471821!	97GX182 JOY	417158!
97474 CHRYS	472258!	9772056 GMC	7412S	97GX112 JOY	473229	97GX183 JOY	417344!
97474 NPG	472258!	9772826 GMC	5073	97GX113 JOY	473229	97GX185 JOY	416654!
9748 C-R	222560	9772831 GMC	5095	97GX114 JOY	470682	97GX186 JOY	417349
9748 C-R	25X47X7!	97737HA IH	5MR1008	97GX115 JOY	473444	97GX187 JOY	417350!
9749LPD JN-MN	55692=	9773R TIMKE	9773	97GX116 JOY	473236!	97GX188 JOY	417350!
9749LUP JN-MN	55692=	9775 C-R	25X56X8	97GX117 JOY	474265	97GX189 JOY	417351!
9750 C-R	25X48X8	9775113 GMC	8594S	97GX118 JOY	450068	97GX19 JOY	415064
97501 MCCOR	5401	9775114 GMC	8594S	97GX119 JOY	471504!	97GX190 JOY	417487
97503 MCCOR	5403	9775115 GMC	8594S	97GX12 JOY	456105	97GX191 JOY	417488!
97505 MCCOR	5405	9776620 GMC	410059	97GX120 JOY	472179	97GX192 JOY	415995!
97506 MCCOR	5406	9776620 GMC	470380!	97GX121 JOY	472179	97GX193 JOY	55155=
97508 MCCOR	5408	9776624 GMC	7412S	97GX122 JOY	470334!	97GX195 JOY	417621!
9750A C-R	471192	9778371 GMC	8940S	97GX123 JOY	473458!	97GX196 JOY	415021
9750LPD JN-MN	417480!	9778372 GMC	8940S	97GX124 JOY	473239	97GX197 JOY	417490
9750LUP JN-MN	417480!	9780 C-R	25X58X8	97GX125 JOY	471868	97GX198 JOY	417490
9751 C-R	25X48X8	978016 HYST	473459	97GX126 JOY	472439	97GX199 JOY	455336
97510 MCCOR	5410	9781063 GMC	471413!	97GX127 JOY	472572!	97GX2 JOY	417546!
97513 MCCOR	5452	9782153 GMC	7399S!	97GX128 JOY	455117	97GX20 JOY	415045!
975130 C-R	55239=	9782209 GMC	480844	97GX13 JOY	415035	97GX200 JOY	455336
97514 MCCOR	5453	9782288 GMC	7399S!	97GX13 JOY	415035!	97GX201 JOY	418028
97515 MCCOR	5458	9784286 GMC	2043	97GX130 JOY	473462	97GX201 JOY	455137!
97517 MCCOR	370002A	9784508 GMC	2043	97GX131 JOY	472394	97GX202 JOY	418028
97518 MCCOR	417506	9785 C-R	25X60X8	97GX132 JOY	472492!	97GX202 JOY	455137!
9751LPD JN-MN	471271!	9787 C-R	25X62X7	97GX133 JOY	472492!	97GX203 JOY	476470
9751LUP JN-MN	471271!	97871 CHRYS	410308!	97GX134 JOY	472397!	97GX205 JOY	417491
9752 C-R	222558	97871 CHRYS	473468	97GX135 JOY	473242	97GX207 JOY	412473!
97520 MCCOR	370019A	9787344 GMC	332062	97GX136 JOY	473463	97GX208 JOY	415437
97521 MCCOR	370005A	9788739 GMC	8705S	97GX137 JOY	416738!	97GX21 JOY	416892!
97523 MCCOR	5471	9789 C-R	25X62X7	97GX137 JOY	450096	97GX211 JOY	417211!
97524 MCCOR	5473	9789LPD JN-MN	476838!	97GX138 JOY	450307	97GX213 JOY	417356!
97525 MCCOR	5460	9789LUP JN-MN	476838!	97GX139 JOY	450532	97GX213 JOY	455188
97529 MCCOR	417505	9790 C-R	25X62X10	97GX14 JOY	330385!	97GX214 JOY	415035
9752LPD JN-MN	415991	9790LPD JN-MN	471271!	97GX140 JOY	473467	97GX214 JOY	415035!
9752LPD JN-MN	455146!	9790LUP JN-MN	471271!	97GX142 JOY	472016	97GX215 JOY	417511
9752LUP JN-MN	415991	9791 C-R	25X62X7V	97GX143 JOY	413469!	97GX216 JOY	417511
9752LUP JN-MN	455146!	9793675 GMC	2043	97GX144 JOY	472015!	97GX218 JOY	417513
97531 MCCOR	5462	9793685 GMC	2043	97GX145 JOY	473243	97GX219 JOY	472157!
97533 MCCOR	5481	9794LPD JN-MN	455024	97GX146 JOY	470898	97GX219 JOY	472157
97537 MCCOR	5487	9794LUP JN-MN	455024	97GX147 JOY	472015!	97GX22 JOY	455024
97538 MCCOR	5589	9795 C-R	222580	97GX148 JOY	473245!	97GX220 JOY	472157!
97539 MCCOR	5494	9795 C-R	25X62X10!	97GX149 JOY	471272!	97GX220 JOY	472157
9754 C-R	25X50X10V	97955 HYST	472287!	97GX15 JOY	455008	97GX221 JOY	416891!
97540 C-R	55239=	9795641 GMC	292594	97GX150 JOY	471138!	97GX222 JOY	416137

! Industrial Size/Type * Minor Width Difference = Call 1-800-480-1212 for price and delivery.

Zero Duplication or Recommended		Zero Duplication or Recommended		Zero Duplication or Recommended		Zero Duplication or Recommended					
Mfr. No.	Name	Mfr. No.	Name	Mfr. No.	Name	Mfr. No.	Name				
97GX226	JOY	415196!	97GX88	JOY	471648	97KX15	JOY	455008	97KX226	JOY	415196!
97GX227	JOY	416888!	97GX89	JOY	471224!	97KX150	JOY	471138!	97KX227	JOY	416888!
97GX228	JOY	417532	97GX9	JOY	415027	97KX153	JOY	411253!	97KX228	JOY	417532
97GX229	JOY	416154!	97GX9	JOY	415027!	97KX154	JOY	412920!	97KX229	JOY	416154!
97GX23	JOY	412119!	97GX90	JOY	471649!	97KX155	JOY	455136	97KX23	JOY	412119!
97GX230	JOY	417532	97GX91	JOY	471224!	97KX156	JOY	411376!	97KX230	JOY	417532
97GX231	JOY	415371	97GX92	JOY	481650	97KX157	JOY	410737!	97KX231	JOY	415371
97GX232	JOY	417535	97GX93	JOY	471835!	97KX158	JOY	410694!	97KX232	JOY	417535
97GX233	JOY	415138!	97GX94	JOY	471763	97KX159	JOY	411394!	97KX233	JOY	415138!
97GX235	JOY	415725!	97GX95	JOY	476838!	97KX16	JOY	471766!	97KX235	JOY	415725!
97GX236	JOY	417278	97GX96	JOY	470712!	97KX163	JOY	413247!	97KX236	JOY	417278
97GX237	JOY	417542	97GX97	JOY	471692!	97KX164	JOY	412119!	97KX237	JOY	417542
97GX24	JOY	471765!	97GX98	JOY	471692!	97KX165	JOY	416271!	97KX24	JOY	471765!
97GX241	JOY	417262!	97GX99	JOY	471785!	97KX166	JOY	417073	97KX241	JOY	417262!
97GX246	JOY	415072	97KX1	JOY	417563	97KX167	JOY	411245!	97KX246	JOY	415072
97GX249	JOY	455480!	97KX10	JOY	415058	97KX17	JOY	415074	97KX249	JOY	455480!
97GX25	JOY	417316!	97KX100	JOY	471736	97KX170	JOY	410496!	97KX25	JOY	417316!
97GX250	JOY	416239!	97KX101	JOY	471750!	97KX171	JOY	470605!	97KX250	JOY	416239!
97GX26	JOY	476470	97KX102	JOY	471192	97KX172	JOY	470605!	97KX26	JOY	476470
97GX260	JOY	411394!	97KX103	JOY	473214	97KX174	JOY	455079!	97KX27	JOY	416137
97GX27	JOY	416137	97KX104	JOY	473214	97KX175	JOY	415082	97KX28	JOY	415036
97GX28	JOY	415036	97KX105	JOY	470950!	97KX177	JOY	415988	97KX29	JOY	415645!
97GX3	JOY	416107!	97KX105	JOY	6241S	97KX178	JOY	415302	97KX29	JOY	455104
97GX3	JOY	455073	97KX106	JOY	471820	97KX179	JOY	417485	97KX3	JOY	416107!
97GX30	JOY	416921!	97KX107	JOY	470625!	97KX180	JOY	455005	97KX3	JOY	455073
97GX31	JOY	455019!	97KX108	JOY	470625!	97KX181	JOY	417344!	97KX30	JOY	416921!
97GX34	JOY	415025	97KX109	JOY	470059	97KX182	JOY	417158!	97KX31	JOY	455019!
97GX35	JOY	473214	97KX109	JOY	470380!	97KX183	JOY	417344!	97KX32	JOY	473313
97GX36	JOY	415988	97KX11	JOY	417487	97KX185	JOY	416654!	97KX33	JOY	415007
97GX37	JOY	471138!	97KX110	JOY	470059	97KX186	JOY	417349	97KX34	JOY	415025
97GX38	JOY	50199S!	97KX110	JOY	470380!	97KX187	JOY	417350!	97KX35	JOY	473214
97GX38	JOY	6863S!	97KX111	JOY	471821!	97KX188	JOY	417350!	97KX36	JOY	415988
97GX39	JOY	416664!	97KX112	JOY	473229	97KX189	JOY	417351!	97KX37	JOY	471138!
97GX40	JOY	472029	97KX113	JOY	473229	97KX19	JOY	415064	97KX39	JOY	416664!
97GX41	JOY	417507!	97KX114	JOY	470682	97KX190	JOY	417487	97KX4	JOY	416666
97GX41	JOY	417507	97KX115	JOY	473444	97KX191	JOY	417488!	97KX40	JOY	472029
97GX43	JOY	418028	97KX116	JOY	473236!	97KX192	JOY	415995!	97KX41	JOY	417507
97GX43	JOY	455137!	97KX117	JOY	474265	97KX193	JOY	55155 =	97KX41	JOY	417507!
97GX44	JOY	473228	97KX118	JOY	450068	97KX194	JOY	417172	97KX43	JOY	418028
97GX45	JOY	471532	97KX119	JOY	471504!	97KX195	JOY	417621!	97KX43	JOY	455137!
97GX46	JOY	473238!	97KX12	JOY	456105	97KX196	JOY	415021	97KX44	JOY	473228
97GX47	JOY	415960	97KX120	JOY	472179	97KX197	JOY	417490	97KX45	JOY	471532
97GX48	JOY	472924!	97KX121	JOY	472179	97KX198	JOY	417490	97KX46	JOY	473238!
97GX49	JOY	417356!	97KX122	JOY	470334!	97KX199	JOY	455336	97KX47	JOY	415960
97GX49	JOY	455188	97KX123	JOY	473458!	97KX2	JOY	417546!	97KX48	JOY	472924!
97GX5	JOY	472185!	97KX124	JOY	473239	97KX20	JOY	415045!	97KX49	JOY	417356!
97GX50	JOY	473463	97KX125	JOY	471868	97KX200	JOY	455336	97KX49	JOY	455188
97GX51	JOY	472636!	97KX126	JOY	472439	97KX201	JOY	418028	97KX5	JOY	472185!
97GX52	JOY	415995!	97KX127	JOY	472572!	97KX201	JOY	455137!	97KX50	JOY	473463
97GX53	JOY	471646!	97KX128	JOY	472572!	97KX202	JOY	418028	97KX51	JOY	472636!
97GX54	JOY	471472!	97KX13	JOY	415035	97KX202	JOY	455137!	97KX52	JOY	415995!
97GX55	JOY	472636!	97KX13	JOY	415035!	97KX203	JOY	476470	97KX53	JOY	471646!
97GX57	JOY	416153!	97KX130	JOY	473462	97KX205	JOY	417491	97KX55	JOY	472636!
97GX58	JOY	470530!	97KX131	JOY	472394	97KX207	JOY	412473!	97KX57	JOY	416153!
97GX6	JOY	450084!	97KX132	JOY	472492!	97KX208	JOY	415437	97KX58	JOY	470530!
97GX63	JOY	455655!	97KX133	JOY	472492!	97KX21	JOY	416892!	97KX6	JOY	450084!
97GX7	JOY	415449!	97KX134	JOY	472397!	97KX211	JOY	417211!	97KX7	JOY	415449!
97GX70	JOY	470954!	97KX135	JOY	473242	97KX212	JOY	415034!	97KX70	JOY	470954!
97GX71	JOY	412920!	97KX136	JOY	473463	97KX213	JOY	417356!	97KX71	JOY	412920!
97GX72	JOY	471551!	97KX137	JOY	416738!	97KX213	JOY	455188	97KX75	JOY	330385!
97GX75	JOY	330385!	97KX137	JOY	450096	97KX214	JOY	415035	97KX76	JOY	473236!
97GX76	JOY	473236!	97KX138	JOY	450307	97KX214	JOY	415035!	97KX77	JOY	472810!
97GX77	JOY	472810!	97KX139	JOY	450532	97KX215	JOY	417511	97KX78	JOY	471442!
97GX78	JOY	471442!	97KX140	JOY	473467	97KX216	JOY	417511	97KX79	JOY	471532
97GX79	JOY	471532	97KX142	JOY	472016	97KX218	JOY	417513	97KX8	JOY	413469!
97GX8	JOY	413469!	97KX143	JOY	413469!	97KX219	JOY	472157	97KX81	JOY	471529
97GX81	JOY	471529	97KX144	JOY	472015!	97KX219	JOY	472157!	97KX82	JOY	50026
97GX82	JOY	50026	97KX145	JOY	473243	97KX22	JOY	455024	97KX83	JOY	470590
97GX83	JOY	470590	97KX146	JOY	470898	97KX220	JOY	472157!	97KX84	JOY	471267!
97GX84	JOY	471267!	97KX147	JOY	472015!	97KX220	JOY	472157	97KX85	JOY	470590
97GX85	JOY	470590	97KX148	JOY	473245!	97KX221	JOY	416891!	97KX86	JOY	471571
97GX86	JOY	471571	97KX149	JOY	471272!	97KX222	JOY	416137	97KX88	JOY	471648

! Industrial Size/Type = Call 1-800-480-1212 for price and delivery.

NUMERICAL

Zero Duplication or Recommended Industrial		Zero Duplication or Recommended Industrial		Zero Duplication or Recommended Industrial		Zero Duplication or Recommended Industrial		
Mfr. No.	Name	Mfr. No.	Name	Mfr. No.	Name	Mfr. No.	Name	
97KX89	JOY	471224!	97MX150	JOY	455583N!	97MX82	JOY	472397!
97KX9	JOY	415027!	97MX152	JOY	55333=	97MX83	JOY	450311
97KX9	JOY	415027	97MX153	JOY	417596	97MX84	JOY	450311
97KX90	JOY	471649!	97MX156	JOY	416364!	97MX85	JOY	470898
97KX91	JOY	471224!	97MX157	JOY	415116	97MX86	JOY	470898
97KX92	JOY	481650	97MX159	JOY	417602!	97MX87	JOY	472234
97KX93	JOY	471835!	97MX160	JOY	417604	97MX89	JOY	471272!
97KX94	JOY	471763	97MX161	JOY	415128	97MX90	JOY	472636!
97KX95	JOY	476838!	97MX162	JOY	55301S	97MX93	JOY	413478
97KX96	JOY	470712!	97MX163	JOY	415090	97MX94	JOY	413478
97KX97	JOY	471692!	97MX164	JOY	415001!	97MX95	JOY	411245!
97KX98	JOY	471692!	97MX165	JOY	415645!	97MX96	JOY	416288!
97KX99	JOY	471785!	97MX165	JOY	455104	97MX98	JOY	417343!
97LX127	JOY	416891!	97MX17	JOY	450342	97MX99	JOY	455151
97LX133	JOY	415138!	97MX171	JOY	455330!	97P3	WHITE	455151
97LX276	JOY	46470	97MX177	JOY	416891!	97VX1	JOY	417563
97LX29	JOY	417344!	97MX179	JOY	472636!	97VX10	JOY	415058
97LX31	JOY	471750!	97MX18	JOY	471762!	97VX100	JOY	472185!
97LX32	JOY	471413	97MX187	JOY	416364!	97VX101	JOY	472179
97LX40	JOY	472029	97MX19	JOY	473420	97VX102	JOY	450089
97LX52	JOY	415995!	97MX197	JOY	415138!	97VX103	JOY	473450
97LX53	JOY	415991	97MX2	JOY	471466!	97VX104	JOY	473458!
97LX53	JOY	455146!	97MX20	JOY	471747!	97VX105	JOY	473239
97LX66	JOY	472492!	97MX21	JOY	471763	97VX106	JOY	471868
97LX68	JOY	471271!	97MX22	JOY	473234	97VX107	JOY	472439
97LX81	JOY	472924!	97MX25	JOY	471765!	97VX108	JOY	472394
97MX1	JOY	471466!	97MX26	JOY	471413!	97VX109	JOY	472397!
97MX10	JOY	450398	97MX27	JOY	471766!	97VX11	JOY	417487
97MX10	JOY	471267!	97MX28	JOY	473213!	97VX110	JOY	473242
97MX102	JOY	415960	97MX29	JOY	417344!	97VX111	JOY	410102
97MX106	JOY	415995!	97MX3	JOY	471466!	97VX112	JOY	416738!
97MX107	JOY	55155=	97MX31	JOY	471750!	97VX112	JOY	450096
97MX109	JOY	417621!	97MX32	JOY	471413!	97VX113	JOY	450307
97MX11	JOY	471570!	97MX34	JOY	417316!	97VX114	JOY	473467
97MX112	JOY	476470	97MX38	JOY	481163!	97VX115	JOY	413469!
97MX113	JOY	418028	97MX39	JOY	471192	97VX116	JOY	472016
97MX113	JOY	455137!	97MX40	JOY	472029	97VX117	JOY	472015!
97MX116	JOY	415991	97MX42	JOY	473214	97VX118	JOY	473243
97MX116	JOY	455146!	97MX43	JOY	473215!	97VX119	JOY	473245!
97MX117	JOY	416339	97MX44	JOY	473226	97VX12	JOY	456105
97MX117	JOY	455031!	97MX45	JOY	473225!	97VX120	JOY	412920!
97MX118	JOY	416339	97MX47	JOY	470625!	97VX121	JOY	411376!
97MX118	JOY	455031!	97MX48	JOY	470059	97VX122	JOY	410737!
97MX119	JOY	417211!	97MX48	JOY	470380!	97VX123	JOY	410694!
97MX12	JOY	471571	97MX49	JOY	470059	97VX124	JOY	411394!
97MX120	JOY	416345!	97MX49	JOY	470380!	97VX125	JOY	417073
97MX120	JOY	455033	97MX50	JOY	473229	97VX126	JOY	411245!
97MX121	JOY	415034!	97MX51	JOY	472636!	97VX127	JOY	415449!
97MX124	JOY	415036	97MX52	JOY	415995!	97VX128	JOY	415302
97MX125	JOY	415295	97MX53	JOY	415991	97VX129	JOY	415458!
97MX127	JOY	416891!	97MX53	JOY	455146!	97VX13	JOY	415035
97MX128	JOY	472157!	97MX56	JOY	470682	97VX13	JOY	415035!
97MX128	JOY	472157	97MX57	JOY	473231	97VX130	JOY	417485
97MX129	JOY	416888!	97MX58	JOY	473010	97VX131	JOY	455005
97MX13	JOY	450039	97MX59	JOY	473010	97VX132	JOY	417344!
97MX130	JOY	416154!	97MX60	JOY	473445	97VX133	JOY	417134
97MX132	JOY	416158	97MX61	JOY	473234	97VX134	JOY	417486
97MX133	JOY	415138!	97MX62	JOY	474265	97VX135	JOY	416654!
97MX134	JOY	415066	97MX63	JOY	472164!	97VX137	JOY	55155=
97MX135	JOY	416167!	97MX64	JOY	472179	97VX138	JOY	417621!
97MX136	JOY	416167!	97MX66	JOY	472492!	97VX139	JOY	415021
97MX137	JOY	416865!	97MX68	JOY	471271!	97VX140	JOY	455336
97MX138	JOY	416865!	97MX69	JOY	415449!	97VX141	JOY	415023
97MX139	JOY	455290	97MX7	JOY	471231!	97VX142	JOY	415937!
97MX14	JOY	471224!	97MX70	JOY	471141!	97VX143	JOY	455032!
97MX141	JOY	417551	97MX73	JOY	473449	97VX144	JOY	415034!
97MX143	JOY	417254	97MX76	JOY	472439	97VX145	JOY	417513
97MX144	JOY	480630!	97MX77	JOY	472572!	97VX146	JOY	472157
97MX145	JOY	417555!	97MX78	JOY	472319	97VX146	JOY	472157!
97MX147	JOY	417780	97MX8	JOY	474253	97VX147	JOY	416891!
97MX149	JOY	415072	97MX80	JOY	472394	97VX148	JOY	416153!
97MX15	JOY	471649!	97MX81	JOY	472924!	97VX149	JOY	415371
97VX15	JOY	455008	97VX150	JOY	415138!	97VX151	JOY	457874
97VX151	JOY	416239!	97VX152	JOY	416239!	97VX153	JOY	417507!
97VX153	JOY	417507!	97VX156	JOY	472560N!	97VX159	JOY	471472!
97VX16	JOY	471766!	97VX16	JOY	471766!	97VX16	JOY	471766!
97VX17	JOY	457874	97VX17	JOY	457874	97VX18	JOY	416339!
97VX18	JOY	455031!	97VX18	JOY	455031!	97VX19	JOY	415064
97VX19	JOY	415064	97VX2	JOY	417546!	97VX2	JOY	417546!
97VX2	JOY	417546!	97VX20	JOY	415045!	97VX20	JOY	415045!
97VX20	JOY	415045!	97VX21	JOY	416892!	97VX21	JOY	416892!
97VX21	JOY	416892!	97VX22	JOY	455024	97VX22	JOY	455024
97VX22	JOY	455024	97VX23	JOY	412119!	97VX23	JOY	412119!
97VX23	JOY	412119!	97VX24	JOY	471765!	97VX24	JOY	471765!
97VX24	JOY	471765!	97VX25	JOY	417316!	97VX25	JOY	417316!
97VX25	JOY	417316!	97VX26	JOY	476470	97VX26	JOY	476470
97VX26	JOY	476470	97VX27	JOY	416137	97VX27	JOY	416137
97VX27	JOY	416137	97VX28	JOY	415036	97VX28	JOY	415036
97VX28	JOY	415036	97VX29	JOY	415645!	97VX29	JOY	415645!
97VX29	JOY	415645!	97VX29	JOY	455104	97VX29	JOY	455104
97VX29	JOY	455104	97VX3	JOY	416107!	97VX3	JOY	416107!
97VX3	JOY	416107!	97VX3	JOY	455073	97VX3	JOY	455073
97VX3	JOY	455073	97VX30	JOY	416921!	97VX30	JOY	416921!
97VX30	JOY	416921!	97VX31	JOY	455019!	97VX31	JOY	455019!
97VX31	JOY	455019!	97VX32	JOY	473313	97VX32	JOY	473313
97VX32	JOY	473313	97VX33	JOY	415007	97VX33	JOY	415007
97VX33	JOY	415007	97VX34	JOY	415025	97VX34	JOY	415025
97VX34	JOY	415025	97VX35	JOY	473214	97VX35	JOY	473214
97VX35	JOY	473214	97VX36	JOY	415988	97VX36	JOY	415988
97VX36	JOY	415988	97VX4	JOY	416666	97VX4	JOY	416666
97VX4	JOY	416666	97VX40	JOY	410496!	97VX40	JOY	410496!
97VX40	JOY	410496!	97VX41	JOY	415041	97VX41	JOY	415041
97VX41	JOY	415041	97VX42	JOY	415379!	97VX42	JOY	415379!
97VX42	JOY	415379!	97VX42	JOY	415379!	97VX42	JOY	415379!
97VX42	JOY	415379!	97VX43	JOY	418028	97VX43	JOY	418028
97VX43	JOY	418028	97VX43	JOY	455137!	97VX43	JOY	455137!
97VX43	JOY	455137!	97VX44	JOY	473228	97VX44	JOY	473228
97VX44	JOY	473228	97VX45	JOY	473225!	97VX45	JOY	473225!
97VX45	JOY	473225!	97VX46	JOY	473238	97VX46	JOY	473238
97VX46	JOY	473238	97VX47	JOY	415960	97VX47	JOY	415960
97VX47	JOY	415960	97VX48	JOY	472924!	97VX48	JOY	472924!
97VX48	JOY	472924!	97VX49	JOY	417356!	97VX49	JOY	417356!
97VX49	JOY	417356!	97VX49	JOY	455188	97VX49	JOY	455188
97VX49	JOY	455188	97VX5	JOY	472185!	97VX5	JOY	472185!
97VX5	JOY	472185!	97VX50	JOY	473463	97VX50	JOY	473463
97VX50	JOY	473463	97VX52	JOY	415995!	97VX52	JOY	415995!
97VX52	JOY	415995!	97VX53	JOY	471646!	97VX53	JOY	471646!
97VX53	JOY	471646!	97VX54	JOY	473232	97VX54	JOY	473232
97VX54	JOY	473232	97VX55	JOY	472636!	97VX55	JOY	472636!
97VX55	JOY	472636!	97VX57	JOY	416153!	97VX57	JOY	416153!
97VX57	JOY	416153!	97VX60	JOY	410190	97VX60	JOY	410190
97VX60	JOY	410190	97VX61	JOY	471571	97VX61	JOY	471571
97VX61	JOY	471571	97VX62	JOY	470712!	97VX62	JOY	470712!
97VX62	JOY	470712!	97VX63	JOY	473016!	97VX63	JOY	473016!
97VX63	JOY	473016!	97VX64	JOY	470059	97VX64	JOY	470059
97VX64	JOY	470059	97VX64	JOY	470380!	97VX64	JOY	470380!
97VX64	JOY	470380!	97VX65	JOY	471820	97VX65	JOY	471820
97VX65	JOY	471820	97VX66	JOY	471821!	97VX66	JOY	471821!
97VX66	JOY	471821!	97VX67	JOY	473010	97VX67	JOY	473010
97VX67	JOY	473010	97VX68	JOY	473446	97VX68	JOY	473446
97VX68	JOY	473446	97VX69	JOY	50075=	97VX69	JOY	50075=
97VX69	JOY	50075=	97VX7	JOY	415001!	97		

Zero Duplication or Recommended		Zero Duplication or Recommended		Zero Duplication or Recommended		Zero Duplication or Recommended					
Mfr. No.	Name	Mfr. No.	Name	Mfr. No.	Name	Mfr. No.	Name				
97VX71	JOY	473462	97X139	JOY	473236!	97X20	JOY	415045!	97X32	JOY	473313
97VX72	JOY	411253!	97X140	JOY	450068	97X200	JOY	416167!	97X323	JOY	471692!
97VX73	JOY	471224!	97X141	JOY	472179	97X201	JOY	416865!	97X328	JOY	472560N!
97VX74	JOY	416444	97X142	JOY	470334!	97X202	JOY	416865!	97X329	JOY	473237!
97VX75	JOY	416271!	97X143	JOY	450089	97X204	JOY	415072	97X33	JOY	415007
97VX76	JOY	417171!	97X144	JOY	473450	97X206	JOY	457874	97X331	JOY	481792
97VX77	JOY	455022	97X145	JOY	471866!	97X207	JOY	417563	97X332	JOY	417480!
97VX78	JOY	455026	97X146	JOY	473458!	97X208	JOY	416229	97X34	JOY	415025
97VX8	JOY	413469!	97X147	JOY	471868	97X209	JOY	411376!	97X346	JOY	417344!
97VX80	JOY	481568!	97X148	JOY	472439	97X21	JOY	416892!	97X35	JOY	473214
97VX81	JOY	472924!	97X15	JOY	455008	97X210	JOY	416239!	97X354	JOY	417602!
97VX82	JOY	50026	97X151	JOY	472397!	97X211	JOY	415551	97X36	JOY	415988
97VX85	JOY	470590	97X152	JOY	473242	97X212	JOY	455406!	97X37	JOY	471138!
97VX86	JOY	471648	97X153	JOY	416738!	97X213	JOY	417606	97X39	JOY	416664!
97VX87	JOY	450044	97X153	JOY	450096	97X214	JOY	417020	97X4	JOY	416666
97VX88	JOY	471763	97X154	JOY	450307	97X216	JOY	471648	97X40	JOY	472029
97VX89	JOY	476838!	97X155	JOY	472016	97X22	JOY	455024	97X41	JOY	417507
97VX9	JOY	415027	97X156	JOY	413469!	97X23	JOY	412119!	97X41	JOY	417507!
97VX9	JOY	415027!	97X157	JOY	410308!	97X24	JOY	471765!	97X42	JOY	415379
97VX90	JOY	471785!	97X158	JOY	411253!	97X25	JOY	417316!	97X42	JOY	415379!
97VX91	JOY	470950!	97X159	JOY	411376!	97X251	JOY	471272!	97X43	JOY	418028
97VX91	JOY	6241S	97X16	JOY	471766!	97X253	JOY	471354!	97X43	JOY	455137!
97VX92	JOY	470625!	97X160	JOY	410694!	97X254	JOY	415995!	97X44	JOY	473228
97VX93	JOY	471821!	97X161	JOY	411394!	97X259	JOY	471570!	97X45	JOY	471466!
97VX94	JOY	473229	97X162	JOY	416271!	97X26	JOY	476470	97X46	JOY	473238
97VX95	JOY	470682	97X163	JOY	417073	97X261	JOY	417351!	97X47	JOY	415960!
97VX96	JOY	473444	97X164	JOY	410496!	97X262	JOY	415437!	97X48	JOY	472924!
97VX97	JOY	473236!	97X165	JOY	415302	97X262	JOY	415437	97X49	JOY	417356!
97VX98	JOY	474265	97X166	JOY	415458!	97X263	JOY	415991	97X49	JOY	455188
97VX99	JOY	450068	97X167	JOY	417485	97X263	JOY	455146!	97X5	JOY	472185!
97X	JOY	471684!	97X168	JOY	455005	97X264	JOY	417196!	97X50	JOY	473461!
97X1	JOY	417563	97X169	JOY	417134	97X267	JOY	471684!	97X51	JOY	472636!
97X10	JOY	415058	97X17	JOY	457874	97X268	JOY	471567!	97X52	JOY	415995!
97X100	JOY	417344!	97X170	JOY	455144	97X269	JOY	473213!	97X53	JOY	471646!
97X101	JOY	416654!	97X171	JOY	417486	97X27	JOY	416137	97X54	JOY	473232
97X102	JOY	417497	97X172	JOY	417488!	97X270	JOY	417492	97X55	JOY	472636!
97X103	JOY	417492	97X173	JOY	55155=	97X271	JOY	416892!	97X57	JOY	416153!
97X104	JOY	415995!	97X174	JOY	417621!	97X272	JOY	415938	97X58	JOY	470530!
97X105	JOY	473245!	97X175	JOY	416288!	97X273	JOY	418028	97X59	JOY	417316!
97X106	JOY	470059	97X176	JOY	417491	97X273	JOY	455137!	97X6	JOY	450084!
97X106	JOY	470380!	97X177	JOY	415379	97X274	JOY	415437	97X60	JOY	410737!
97X107	JOY	470950!	97X177	JOY	415379!	97X275	JOY	471554!	97X61	JOY	471763
97X107	JOY	6241S	97X178	JOY	412473!	97X276	JOY	470590	97X63	JOY	417073
97X108	JOY	480210!	97X179	JOY	417191	97X279	JOY	416664!	97X64	JOY	415379
97X11	JOY	417487	97X179	JOY	456585	97X28	JOY	415036	97X64	JOY	415379!
97X110	JOY	473225!	97X18	JOY	416339	97X280	JOY	473471	97X65	JOY	416239!
97X114	JOY	415196!	97X18	JOY	455031!	97X281	JOY	417520	97X66	JOY	417247!
97X116	JOY	471472!	97X180	JOY	415025	97X282	JOY	473228	97X7	JOY	415001!
97X118	JOY	471549!	97X181	JOY	455249!	97X284	JOY	416345!	97X71	JOY	415991
97X119	JOY	471532	97X182	JOY	415711	97X284	JOY	455033	97X71	JOY	455146!
97X12	JOY	456105	97X183	JOY	415937!	97X287	JOY	417562	97X72	JOY	410102
97X120	JOY	481073	97X184	JOY	415379	97X289	JOY	471413	97X73	JOY	471571
97X121	JOY	471553!	97X184	JOY	415379!	97X29	JOY	415645!	97X75	JOY	473426
97X122	JOY	50026	97X185	JOY	455032!	97X29	JOY	455104	97X76	JOY	473467
97X123	JOY	471689!	97X186	JOY	417366!	97X290	JOY	415938	97X77	JOY	413469!
97X124	JOY	471649!	97X187	JOY	417211!	97X291	JOY	471466!	97X78	JOY	417171!
97X125	JOY	471224!	97X188	JOY	417210!	97X292	JOY	471224!	97X79	JOY	415021
97X126	JOY	450044	97X189	JOY	416345!	97X293	JOY	473474	97X8	JOY	413469!
97X127	JOY	471763	97X189	JOY	455033	97X294	JOY	471466!	97X80	JOY	455022
97X128	JOY	476838!	97X19	JOY	415064	97X296	JOY	450177	97X81	JOY	415023
97X129	JOY	470712!	97X190	JOY	415034!	97X297	JOY	471413	97X82	JOY	473215!
97X13	JOY	415035	97X191	JOY	417512	97X3	JOY	416107!	97X83	JOY	470059
97X13	JOY	415035!	97X192	JOY	417513	97X3	JOY	455073	97X83	JOY	470380!
97X130	JOY	471785!	97X193	JOY	416891!	97X30	JOY	416921!	97X84	JOY	471821!
97X131	JOY	471750!	97X194	JOY	472157!	97X300	JOY	415124	97X85	JOY	473235!
97X132	JOY	470625!	97X194	JOY	472157	97X301	JOY	416125!	97X86	JOY	472070
97X133	JOY	473229	97X195	JOY	416888!	97X302	JOY	417262!	97X87	JOY	474265
97X134	JOY	470682	97X196	JOY	415371	97X303	JOY	472311!	97X88	JOY	473238
97X135	JOY	451469	97X197	JOY	417247!	97X307	JOY	415995!	97X89	JOY	472144!
97X136	JOY	473444	97X198	JOY	415138!	97X308	JOY	471424!	97X9	JOY	415027
97X137	JOY	473010	97X199	JOY	415066	97X31	JOY	455019!	97X9	JOY	415027!
97X138	JOY	473446	97X2	JOY	417546!	97X315	JOY	471391!	97X90	JOY	472144!

! Industrial Size/Type = Call 1-800-480-1212 for price and delivery.

NUMERICAL

Zero Duplication or Recommended		Zero Duplication or Recommended		Zero Duplication or Recommended		Zero Duplication or Recommended					
Mfr. No.	Name Industrial	Mfr. No.	Name Industrial	Mfr. No.	Name Industrial	Mfr. No.	Name Industrial				
97X91	JOY	473460	983253	OMC	17720	9869	C-R	471224!	99094	C-R	99094
97X92	JOY	473460	9832LPD	JN-MN	455397	98732	HYST	417503	99096	C-R	99096
97X93	JOY	473239	9832LUP	JN-MN	455397	98750	C-R	55224 =	99096RS	VIC	99096
97X94	JOY	472394	9833	C-R	472311	987570R1	IH	JV753	99098	C-R	99098
97X96	JOY	416444	9833A	C-R	416921!	9876	C-R	471224!	99098RS	VIC	99098
97X97	JOY	411245!	9833S	NATL	8705S	9876LPD	JN-MN	417344!	99100	C-R	99100
97X98	JOY	415449!	9834	C-R	472311!	9876LUP	JN-MN	417344!	99100	C-R	99101
97X99	JOY	455151	9835	C-R	240414	9877	C-R	471224	99100RS	VIC	99100
98005R91	IH	472439	9835	C-R	472311!	9878	C-R	471224!	99100RS	VIC	99101
9800A	C-R	415995!	983570R1	IH	370003A	9879	C-R	471224	99103	C-R	99103
9800LPD	JN-MN	455194	9837	C-R	472311!	9879	C-R	471224	99103RS	VIC	99103
9800LUP	JN-MN	455194	9838	C-R	472311!	987RC	SUL	472287!	99106	C-R	99106
9805	C-R	712012	9839	C-R	471224!	98809	CATER	485725N	99106RS	VIC	99106
9810A	C-R	415449!	9840	C-R	471224!	9881	C-R	471224	99111	C-R	99111
981200	SPICE	476838!	9840A	C-R	471316!	9882	C-R	471689!	99111RS	VIC	99111
9812013A	HARWA	98X120X13	9841A	C-R	470530!	9885	C-R	471224!	99112	C-R	99112
9814	C-R	252277	98427996	IVECO	713134	98860R91	IH	472016	99112RS	VIC	99112
981480	SPICE	416332!	98427998	FIAT	713064	9886LPD	JN-MN	455121	99114	BR-ST	471553!
9815	C-R	240731	9843	C-R	471224	9886LUP	JN-MN	455121	99114	C-R	99114
9815LPD	JN-MN	416654!	98435	C-R	250X280X15	9889	C-R	6847S	99114RS	VIC	99114
9815LUP	JN-MN	416654!	98436545	FIAT	713024	9890A	C-R	240319	99118	C-R	99118
981605	OMC	17720	9844	C-R	471224	9891LPD	JN-MN	55532 =	99118RS	VIC	99118
9818	C-R	342517	9844	KEN	471224	9891LUP	JN-MN	55532 =	99123	C-R	99123
981RC	SUL	472287!	9845	NATL	450375	9892	C-R	471224!	99125	C-R	99125
9820	C-R	441130	9845	NATL	6936S	9892LPD	JN-MN	415711	99125RS	VIC	99125
9820LPD	JN-MN	415138!*	9845	TIMKE	9845	9892LUP	JN-MN	415711	99128	C-R	99128
9820LUP	JN-MN	415138!	98451055	FIAT	713057	9893	C-R	471270!	99128RS	VIC	99128
9821	C-R	441130	9846	C-R	350909	9894	C-R	471270!	99129	C-R	99129
982259R91	IH	370012A	9846	C-R	471224!	9894	HYST	473215!	99129RS	VIC	99129
982259R91	IH	5473\$	984631	VIC	415035	9895	C-R	471270!	9912A	C-R	416654
9823	C-R	441130*	9847	C-R	472311	9895	HYST	455032!	9912S	TIMKE	9912
9823545	NEHO	370223A=	98471	HYST	415295	9896	C-R	471270!	99131	C-R	99131
982483R91	IH	100495	9848	C-R	471224!	9898	TOWNR	473197	99131RS	VIC	99131
982483R91	IH	417349	984801R91	IH	5406	98X12013XX	TIMKE	98X120X13	99133	C-R	99133
982591R91	IH	417262!	9848LPD	JN-MN	471652	98X120X13	SIMRT	98X120X13	99133RS	VIC	99133
9825LPD	JN-MN	450104	9848LPD	JN-MN	482208!	98X120X13SC	TRSCM	98X120X13	99134	C-R	99134
9825LUP	JN-MN	450104	9848LUP	JN-MN	471652	98X120X13TC	TRSCM	98X120X13	99138	C-R	99138
9826	C-R	252277	9848LUP	JN-MN	482208!	9900	C-R	343123	99138RS	VIC	99138
9827	C-R	472311!	9849	C-R	471224!	990065	ACF	40468	99139	C-R	99139
9828	C-R	472311!	98492	HYST	471341!	9900LPD	JN-MN	471760	99139RS	VIC	99139
9828-00102	HINO	231004	98494989	IVECO	713123	9900LUP	JN-MN	471760	99143	C-R	99143
9828-01112	HINO	710368	9849LPD	JN-MN	473444	990101	ACF	472164!	99143RS	VIC	99143
9828-01125	HINO	710368	9849LUP	JN-MN	473444	990132	SPICE	473423	99144	C-R	99144
9828-01137	HINO	710371	9850	C-R	471224!	990132	VIC	473423	99144RS	VIC	99144
9828-01144	HINO	710366	9851	C-R	471224!*	99019R91	IH	471224!	99146	C-R	99146
9828-01147	HINO	710371	9852	C-R	471224!	99022R91	IH	416654	99146RS	VIC	99146
9828-01149	HINO	710004	98520	TW-CO	474278!	9903	C-R	473380	99147	C-R	99147
9828-01165	HINO	710368	98524	HYST	472179	99031	AM WH	472164!	99147RS	VIC	99147
9828-01167	HINO	710366	9854	C-R	471224!	99032	AM WH	472439	99149	C-R	99149
9828-01204	HINO	710369	9854LPD	JN-MN	472164!	99049	C-R	99049	99149RS	VIC	99149
9828-01206	HINO	710295	9854LUP	JN-MN	472164!	99049RS	VIC	99049	99150	C-R	99150
9828-48112	HINO	710296	9858LUP	JN-MN	471424!	99058	C-R	99058	99150RS	VIC	99150
9828-58105	HINO	225875	9859	C-R	471224!	99059	C-R	99059	99152	C-R	99152
9828-65116	HINO	710367	9859	C-R	6522S!	99059RS	VIC	99059	99155	C-R	99155
9828-65119	HINO	710367	9859LPD	JN-MN	471224!	99060	C-R	99060	99155RS	VIC	99155
9828-70102	HINO	70X95X13	9859LUP	JN-MN	471224!	99060RS	VIC	99060	99156	C-R	99156
9828-80102	HINO	228020	9861	C-R	471224!	99062	C-R	99062	99156RS	VIC	99156
9828-85106	HINO	710294	9862	C-R	471224	99062RS	VIC	99062	99157	C-R	99157
9828-90108	HINO	229005	9862	C-R	471224	99065	ACF	40468	99157RS	VIC	99157
982827102	HINO	712009	98630R91	IH	6663S	99068	C-R	99068	9915A	C-R	470088
983006R91	IH	6635S	986350	OTISE	55199=	99068RS	VIC	99068	99162	C-R	99162
98305	WITTE	472924!	9863LPD	JN-MN	416273!	9907	C-R	473380	99162RS	VIC	99162
98305A	WITTE	470898	9863LUP	JN-MN	416273!	99076	C-R	99076	99165	C-R	99165
98309	CINMI	471785!	9864	C-R	471224!	99076RS	VIC	99076	99166	C-R	99166
9830LPD	JN-MN	417605	98643	HYST	410737!	99078	C-R	99078	99166	SPG	99166
9830LUP	JN-MN	417605	9864S	TIMKE	9864S	99078RS	VIC	99078	99166RS	VIC	99166
9831	C-R	252277	9865	C-R	471224!	9907SKR	NATL	370086A	99168	C-R	99168
98317	TW-CO	450398	9866LPD	JN-MN	415035	99085	C-R	99085	99168RS	VIC	99168
98317	TW-CO	471267!	9866LPD	JN-MN	415035!	99085RS	VIC	99085	99169	C-R	99169
9831LPD	JN-MN	481163!	9866LUP	JN-MN	415035!	99087	C-R	99087	99169RS	VIC	99169
9831LUP	JN-MN	481163!	9866LUP	JN-MN	415035	99087RS	VIC	99087	99170	C-R	99170
9832	C-R	240414*	9867	C-R	471224!	9909	C-R	471649!	99170RS	VIC	99170

! Industrial Size/Type * Minor Width Difference \$F-M Number Is Part Of A Kit = Call 1-800-480-1212 for price and delivery.

Zero Duplication or Recommended		Zero Duplication or Recommended		Zero Duplication or Recommended		Zero Duplication or Recommended	
Mfr. No.	Name	Mfr. No.	Name	Mfr. No.	Name	Mfr. No.	Name
99171	C-R	99171	99233RS VIC	99233	99298RS VIC	99298	99376RS VIC
99171RS	VIC	99171	99235 C-R	99235	99299 C-R	99299	993785 ACF
99172	C-R	99172	99235RS VIC	99235	99299RS VIC	99299	993802 ACF
99172RS	VIC	99172	99236 C-R	99236	99300 C-R	99300	993803 ACF
99174	C-R	99174	99236RS VIC	99236	99300RS VIC	99300	99387 C-R
99174RS	VIC	99174	99237 C-R	99237	99303 C-R	99303	99387RS VIC
99175	BR-ST	450593!	99237RS VIC	99237	99303RS VIC	99303	9939 C-R
99175 C-R		99175	99238 C-R	99238	99307 C-R	99307	993926 GWI
99175RS	VIC	99175	99238RS VIC	99238	9930LPD JN-MN	415196!	99393 C-R
99176	BR-ST	481644	9924 C-R	471649!	9930LUP JN-MN	415196!	99393RS VIC
99176 C-R		99176	99240 C-R	99240	99311 C-R	99311	99395 C-R
99176RS	VIC	99176	99240RS VIC	99240	99311RS VIC	99311	99395RS VIC
99177	C-R	99177	99242 C-R	99242	99312 C-R	99312	99399 C-R
99177RS	VIC	99177	99243 C-R	99243	99312RS VIC	99312	99399RS VIC
99179	C-R	99179	99243RS VIC	99243	99313 C-R	99313	99400 C-R
99179RS	VIC	99179	99248 C-R	99248	99313RS VIC	99313	99401 C-R
9918	C-R	471649!	992481C91 IH	370150A	99315 C-R	99315	99401RS VIC
99181	C-R	99181	99248RS VIC	99248	99315RS VIC	99315	994024TC SPG
99181RS	VIC	99181	99250 C-R	99250	99317 BR-ST	471567!	99406 CHRYS
99186	C-R	99186	99250RS VIC	99250	9932 C-R	471649!	99406 NPG
99186RS	VIC	99186	99253 C-R	99253	99322 C-R	99322	994107TC SPG
99187	C-R	99187	99253RS VIC	99253	99322RS VIC	99322	994108TC SPG
99187RS	VIC	99187	99254 C-R	99254	99324 C-R	99324	994129TD SPG
99189	C-R	99189	99254RS VIC	99254	99324RS VIC	99324	99413 C-R
99189RS	VIC	99189	99256 C-R	99256	99325 C-R	99325	99413RS VIC
9918LPD	JN-MN	417134	99256RS VIC	99256	99325RS VIC	99325	99423 C-R
9918LUP	JN-MN	417134	99259 C-R	99259	99331 C-R	99331	99423 CLARK
9918M1	C-R	471649!	99259RS VIC	99259	99331RS VIC	99331	99423RS VIC
9919	C-R	471649!	9926 C-R	471649!	99333 C-R	99333	99424 C-R
99190	C-R	99190	99260 C-R	99260	99333RS VIC	99333	99424RS VIC
99193	C-R	99193	99260RS VIC	99260	99334 C-R	99334	994258 AMC
99193RS	VIC	99193	99261 C-R	99261	99334RS VIC	99334	994258 AMGEN
99196	C-R	99196	99261RS VIC	99261	99337 C-R	99337	994261 AMC
99196RS	VIC	99196	99262 C-R	99262	99337RS VIC	99337	994261 AMGEN
99199	C-R	99199	99262RS VIC	99262	99339 C-R	99339	9943 TIMKE
99199RS	VIC	99199	99264 C-R	99264	99339RS VIC	99339	994311TC SPG
99200	C-R	99200	99267 C-R	99267	9934 C-R	471649!	99435 C-R
99200RS	VIC	99200	99267RS VIC	99267	99340 C-R	99340	99435RS VIC
992018	LONG	414045!	99269 C-R	99269	99340RS VIC	99340	99437 C-R
992019	LONG	471224!	99269RS VIC	99269	99347 C-R	99347	99437RS VIC
992021	LONG	470898!	99272 C-R	99272	99347RS VIC	99347	99440 BR-ST
992024	LONG	450398	99272RS VIC	99272	99349 C-R	99349	9945 HYST
992024	LONG	471267!	99273 C-R	99273	99349RS VIC	99349	99450 C-R
992026	LONG	473197	99273RS VIC	99273	9935 C-R	471649!	99450RS VIC
99205	C-R	99205	99274 C-R	99274	99350 C-R	99350	99452 C-R
99205RS	VIC	99205	99274RS VIC	99274	99350RS VIC	99350	99452RS VIC
99210	C-R	99210	99275 C-R	99275	99351 C-R	99351	99463 C-R
99210RS	VIC	99210	99275RS VIC	99275	99351RS VIC	99351	99463RS VIC
99212	C-R	99212	99276 C-R	99276	99354 C-R	99354	99468 C-R
99212RS	VIC	99212	99276RS VIC	99276	99354RS VIC	99354	99468RS VIC
99215	C-R	99215	9927HX SPG	331227H	99356 C-R	99356	99472 C-R
99215RS	VIC	99215	99281 C-R	99281	99356RS VIC	99356	99472RS VIC
99218	C-R	99218	99281RS VIC	99281	9935SS JN-MN	473235!*	99473 C-R
99218RS	VIC	99218	99282 C-R	99282	99362 C-R	99362	99473RS VIC
9922	C-R	471649!	99282RS VIC	99282	99362RS VIC	99362	99475 C-R
99220	C-R	99220	99286 C-R	99286	99363 C-R	99363	99475RS VIC
99225	BR-ST	473016!	99286RS VIC	99286	993631 ACF	455556	9947LPD JN-MN
99225	C-R	99225	99287 C-R	99287	99363RS VIC	99363	9947LUP JN-MN
99225RS	VIC	99225	99287RS VIC	99287	99364 C-R	99364	99484 CHRYS
99226	C-R	99226	9929 C-R	471649!*	99364RS VIC	99364	9949 C-R
99226RS	VIC	99226	99290 C-R	99290	99367 C-R	99367	99491 C-R
99227	C-R	99227	99290RS VIC	99290	99367RS VIC	99367	994912 WLYS
992280	AMC	40316S	99291 C-R	99291	99368 C-R	99368	99492 C-R
992293	WILYS	415458!	99291RS VIC	99291	99368RS VIC	99368	99492RS VIC
992297	AMC	415458!	99292 C-R	99292	99369 C-R	99369	99494 C-R
992297	WILYS	415458!	99293 C-R	99293	99369RS VIC	99369	99494RS VIC
9923	C-R	471649!	99293RS VIC	99293	9937 C-R	471649!	99498 C-R
99230	C-R	99230	99294 C-R	99294	99372 C-R	99372	99498RS VIC
99230RS	VIC	99230	99294RS VIC	99294	99372RS VIC	99372	99499 C-R
99231	C-R	99231	99296 C-R	99296	99374 C-R	99374	99499RS VIC
99231RS	VIC	99231	99296RS VIC	99296	99374RS VIC	99374	994D4 WHITE
99233	C-R	99233	99298 C-R	99298	99376 C-R	99376	99515 BR-ST

! Industrial Size/Type * Minor Width Difference

Zero Duplication or Recommended Industrial		Zero Duplication or Recommended Industrial		Zero Duplication or Recommended Industrial		Zero Duplication or Recommended Industrial		
Mfr. No.	Name	Mfr. No.	Name	Mfr. No.	Name	Mfr. No.	Name	
9951LPD	JN-MN	415351!	998J	OSHKO	415036	9L126	CATER	470328
9951LUP	JN-MN	415351!	999.113.012.50	PORSC	1973	9L126	CATER	481213!
99525	C-R	99525	999.113.029.50	PORSC	226020	9L6021	CATER	J1895 *=
99525RS	VIC	99525	999.113.049.50	PORSC	226020	9L7188	CATER	415725!
9952LPD	JN-MN	473228	999.113.057.50	PORSC	226520	9L7600	CATER	39801
9952LUP	JN-MN	473228	999.113.057.52	PORSC	226520	9L7735	CATER	473474
99549	C-R	99549	999.113.215.40	PORSC	229010	9L7736	CATER	39801
99549RS	VIC	99549	999.113.231.40	PORSC	60X85X8!	9L8336	CATER	J1606
9955LPD	JN-MN	472179	999.113.263.40	PORSC	60X85X8!	9L8483	CATER	416167 =
9955LUP	JN-MN	472179	999.113.290.42	PORSC	223050	9L9077	CATER	415725!
9956SS	JN-MN	473405	999.113.475.40	PORSC	710196	9L9185	CATER	473474
99575	C-R	99575	999.113.476.40	PORSC	716102	9M3879	CATER	416892!
99575RS	VIC	99575	9990	C-R	471689!	9M5159	CATER	470565 =
9958	CHRY	470954	99902	CINMI	470086	9M5351	CATER	473367!
99599	C-R	99599	99911323540	PORSC	65X85X10	9M7432	CATER	471224!
99599RS	VIC	99599	99911326440	PORSC	229005	9M7962	CATER	415449!
9960	C-R	474250!	99911328240	PORSC	223020	9N0307	CATER	415303!
99606	C-R	99606	99911346140	PORSC	229010	9N1190B	FORD	6336S
99606RS	VIC	99606	9992	C-R	25X42X7V	9N18183	FORD	240385
99625	C-R	99625	9992LPD	JN-MN	471567!	9N307	CATER	415303!
99625RS	VIC	99625	9992LUP	JN-MN	471567!	9N4251	FORD	410987 =
99630	C-R	99630	9993	C-R	471689!*	9N703A	FORD	471829
99630RS	VIC	99630	9993LPD	JN-MN	415072*	9N703A2	FORD	471829
9963LPD	JN-MN	415138!	9993LUP	JN-MN	415072	9N703B	FORD	471829
9963LUP	JN-MN	415138!	9994	C-R	471689!*	9N749	DURA	473214!
9964LPD	JN-MN	417549!	9995	C-R	471689!	9N749	FORD	473214!
9964LUP	JN-MN	417549!	99954	C-R	415995!	9N749	SPICE	473214!
9965	C-R	471689!	99954	C-R	415995*	9N749B	DURA	473214!
99650	C-R	99650	9997	C-R	471689!	9N750	DURA	473236!
99650RS	VIC	99650	99977	BR-ST	481443!	9N750	SPICE	473236!
9966	C-R	471689!	9998	C-R	471689!	9N750B	DURA	473236!
996693	CLARK	204017	9998LPD	JN-MN	415995!	9N750B	FORD	473236!
9967	C-R	471689	9998LUP	JN-MN	415995!	9S2391	CATER	472258
99675	C-R	99675	999KB1608	MACK	470954!	9S2400	CATER	J1824 *=
99675RS	VIC	99675	999KB1675	MACK	417210!	9S3111	CATER	3807
99680	C-R	417602!	999KB1920	MACK	416404!	9SK-095	WHITE	5M466
996816	C-R	417603!	999KB1921	MACK	472157	9SK0524	WHITE	474273
996816M1	C-R	417603!	999KB1921	MACK	472157!	9X18X7SC	TRSCM	9X18X7
99690	C-R	55301S	99GW240144-6	TROS	473235	9X18X7TC	TRSCM	9X18X7
99690M1	C-R	55301S	9A6904	LEYLD	471192	9X22X7	SIMRT	9X22X7
99700	C-R	99700	9A7847	FED	415254	9X22X7SC	TRSCM	9X22X7
99700RS	VIC	99700	9A8009	FED	472636!	9X22X7TC	TRSCM	9X22X7
997151TC	SPG	997151	9B1208	CATER	470530!	9X24X7	FORSH	9X24X7
997179TC	SPG	470954	9B140	CATER	471763	9X24X7	SIMRT	9X24X7
997295TD	SPG	997295	9B5662	CATER	415437	9X24X7SC	TRSCM	9X24X7
9973LPD	JN-MN	415867	9B6453	CATER	471750!	9X24X7TC	TRSCM	9X24X7
9973LUP	JN-MN	415867	9B8053	CATER	471530	9X26X7	FORSH	9X26X7
9974	C-R	471689!	9D6581	CATER	710023	9X26X7	SIMRT	9X26X7
9975	C-R	471689!	9D6582	CATER	710024	9X26X7SC	TRSCM	9X26X7
99750	C-R	99750	9D6584	CATER	710026	9X26X7TC	TRSCM	9X26X7
99750RS	VIC	99750	9D6585	CATER	710027	9X7547	CATER	320510V*
9975LPD	JN-MN	471646!	9F3487	CATER	471466!	9Y-7625	CATER	600016
9975LUP	JN-MN	471646!	9F3848	CATER	471554!	9Y7624	CATER	901017
99766	CHRY	481507N=	9F3850	CATER	472016	9Y9895	CATER	41163T
9977	C-R	471689!	9F3958	CATER	471103!			
99786	CINMI	470050	9F5088	CATER	416125!			
99787	C-R	99787	9F7959	CATER	415213N			
99787RS	VIC	99787	9F8616	CATER	476470			
9979	C-R	471689!	9H223	CATER	470954			
99804	BR-ST	471689!	9H223	IH	470954			
998092	AMC	5778	9H2257	CATER	473460			
998092	AMGEN	5778	9H2258	CATER	472924!			
998123	AMC	9316	9H6079	CATER	417316!			
9982	C-R	471689!	9H6504	CATER	413246			
9983	C-R	471689!	9H8839	CATER	471413*			
9983LPD	JN-MN	471684!	9H9484	CATER	472572!			
9983LUP	JN-MN	471684!	9H9678	CATER	470380!			
9984	C-R	471689!	9J0107	CATER	J1122			
998497	AMC	480821!	9J0110	CATER	J1126			
9985	C-R	471689!	9J107	CATER	J1122			
99858	CHRY	470954	9J110	CATER	J1126			
9989	C-R	471689!	9K2199	CATER	415066			

! Industrial Size/Type * Minor Width Difference = Call 1-800-480-1212 for price and delivery.

OTHER QUALITY INDUSTRIAL PRODUCTS



V-Seals™

A simple, versatile elastomeric “face”-type seal produced in Nitrile or Viton®, the National V-Seal functions as an additional sealing element. National V-Seals are recommended for extreme, high-contaminate environments.

The National V-Seal typically mounts on and rotates with the shaft while the lip lightly contracts the counterface. The elastic design eases installation, permitting a broad range of applications.



Wear Sleeves

Precision components that press-fit onto a shaft, National Wear Sleeves eliminate damage to shafts and spindles, both in-use and during transport.

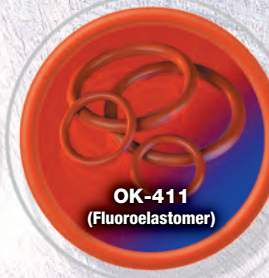
Designed for ambient-temperature assembly and available in various sizes and finishes, National Wear Sleeves provide a protective seal running surface and reduce the need for complex and expensive shaft machining, repair or replacement.



OK-311
(Standard)



OK-312
(Metric)



OK-411
(Fluoroelastomer)



MD-999

O-Ring Seal Kits

Featuring English and metric sizes, National O-Ring Seal Kits have the coverage you need for the most popular applications. National O-Ring Seals are made of a high-quality nitrile rubber or a high-temperature fluoroelastomer.

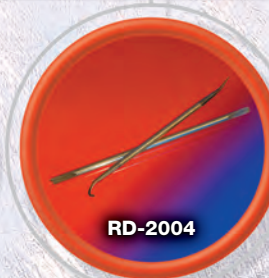
National can provide you with three assortments: OK-311, OK-312 and OK-411, and the MD-999 O-Ring identification gauge, designed to measure and identify O-Ring sizes.



RD-2000



RD-2001



RD-2004



MD-2000

Installation Tools

The RD-2000 and RD-2001 tools are essential for proper seal installation and prevention of unnecessary downtime.

The RD-2000 National Seal Driver drives seals into place quickly, easily and without damage, allowing smooth equipment operation without premature seal leakage.

The RD-2001 National Bearing Race and Seal Driver easily installs bearings and seals without damaging the bearing race or housing.

National also offers the time-saving RD-2004 O-Ring Installation and Removal Tool, as well as the durable and precise MD-2000 Metal Caliper.

To learn more about National Oil Seals Industrial Products, call 1 (800) 480-1212

National[®] Oil Seals



To learn more about
National Oil Seals Industrial Products, contact us at:

**National Oil Seals Industrial Products
Federal-Mogul Corporation
26555 Northwestern Highway
Southfield, MI 48034**

**1 (800) 480-1212
www.federal-mogul.com**



© 2004 Federal-Mogul Corporation.
Federal-Mogul and the Federal-Mogul design, National Oil Seals,
and Redi-Seals are registered trademarks of Federal-Mogul Corporation.
40M 0704 APT (DG) TC